

Temporary Maintenance Instruction TMI 139-569

Exterior / Interior markings - Emergency markings – General data.

All AW139 Helicopters

The technical content of this document is approved under the authority of DOA nr. EASA.21J.005.

The present TMI will be evaluated for its introduction in the standard set of Technical Publication.

If no further notice is received, the present document expires on: August 4th 2024.

2023-08-4

Introduction

This TMI provides the instructions and requirements for the Exterior / Interior markings - Emergency markings – General data.

Following procedures contained in this TMI updates and supersedes the contents of the relative Data Modules inside IETP:

ANNEX	DATA MODULE CODE	DATA MODULE TITLE
Annex 1	39-A-11-22-00-01A-010A-A	Exterior markings - Emergency markings - General data
Annex 2	39-A-11-32-00-01A-010A-A	Interior markings - Emergency markings - General data

The content of this TMI will be endorsed within the applicable Maintenance Manual at the earliest opportunity.

Exterior markings - Emergency markings - General data

Table of contents

References	1
1 General data	1

List of tables

1 References	1
2 Exterior markings	2

List of figures

1 Exterior markings – Emergency markings – General data (Sheet 1 of 5)	3
1 Exterior markings – Emergency markings – General data (Sheet 2 of 5)	4
1 Exterior markings – Emergency markings – General data (Sheet 3 of 5)	5
1 Exterior markings – Emergency markings – General data (Sheet 4 of 5)	6
1 Exterior markings – Emergency markings – General data (Sheet 5 of 5)	7

References

Table 1 References

Data Module	Title
39-A-11-00-01-00A-520A-A	Decal (polyester film) - Remove procedure
39-A-11-00-01-00A-720A-A	Decal - Install procedure

Description

1 General data

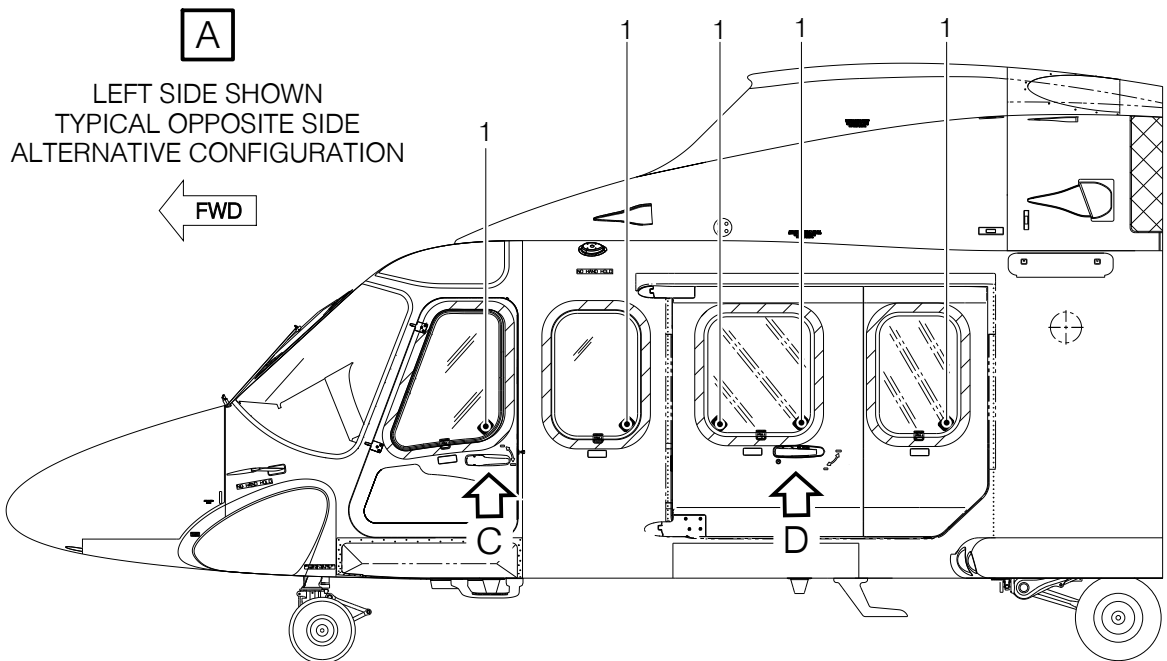
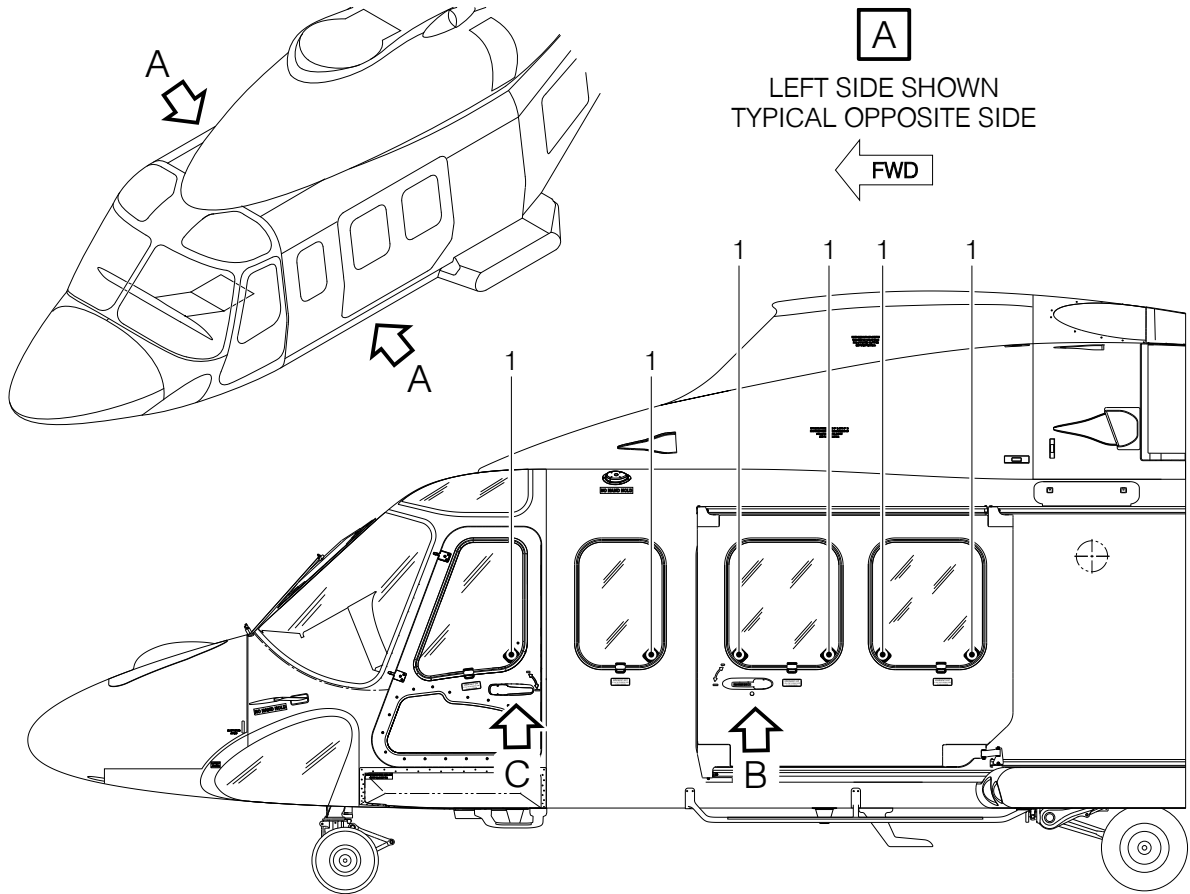
This chapter gives the general data for the markings and their locations on the exterior of the helicopter ([Figure 1](#)). [Table 2](#) gives all the exterior markings. The table gives:

- The reference number of each marking.
- The type and the material of the marking.
- The related identification number.

The markings shown are those required for emergency. To remove the markings refer to [39-A-11-00-01-00A-520A-A](#). To install the markings refer to [39-A-11-00-01-00A-720A-A](#).

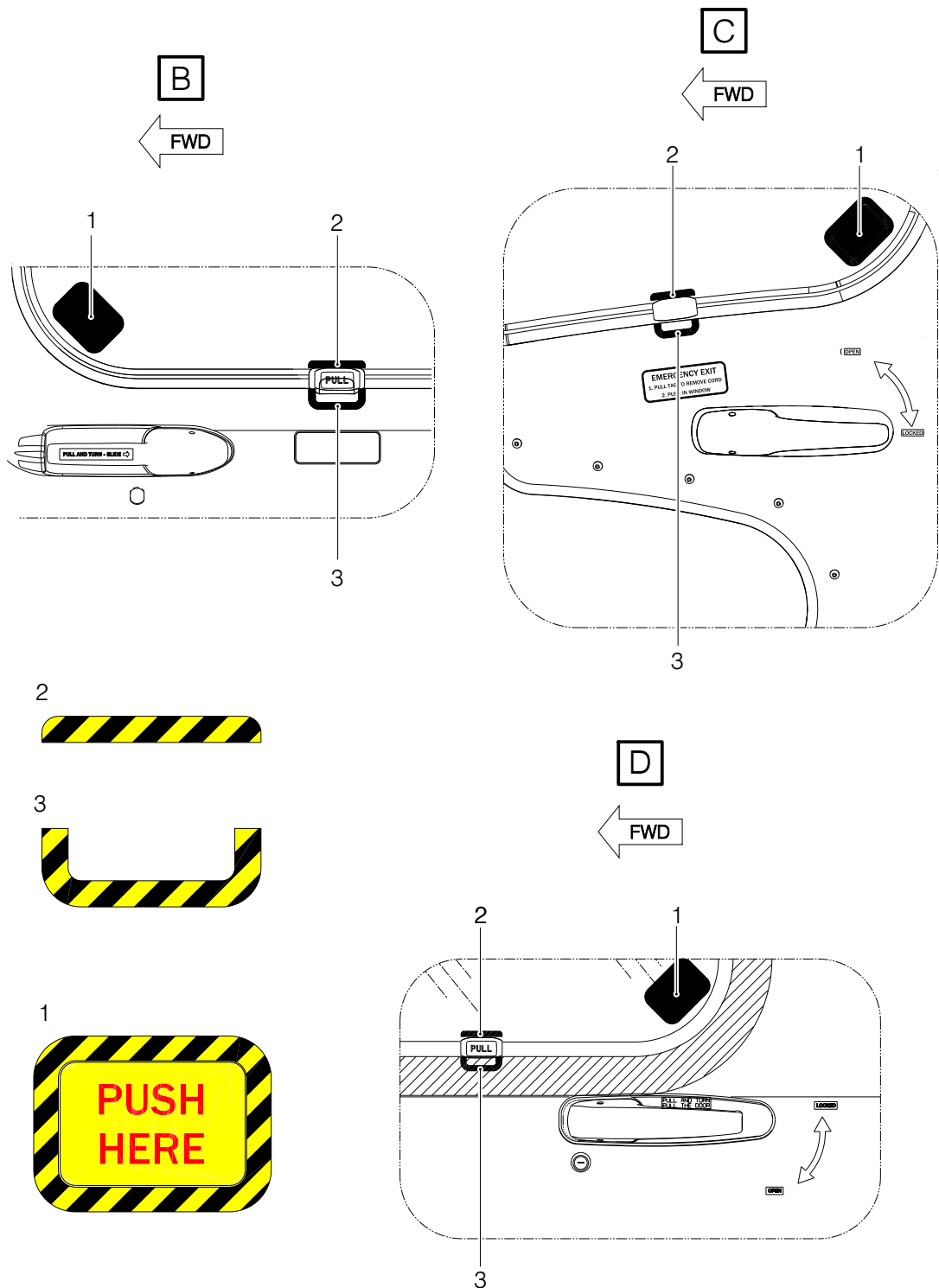
Table 2 Exterior markings

Ref. (Figure 1)	Type and material	Identification number
1	Decal, vinyl film	3G1130A27153
2	Decal, vinyl film	3G1120A16751
3	Decal, vinyl film	3G1120A16752
4	Decal, vinyl film	3G1120A17251
5	Decal, vinyl film	3G1120A17252
6	Decal, vinyl film	3G1120A17253
7	Decal, vinyl film	3G1120A17051
8	Decal, vinyl film	3G1120A17052



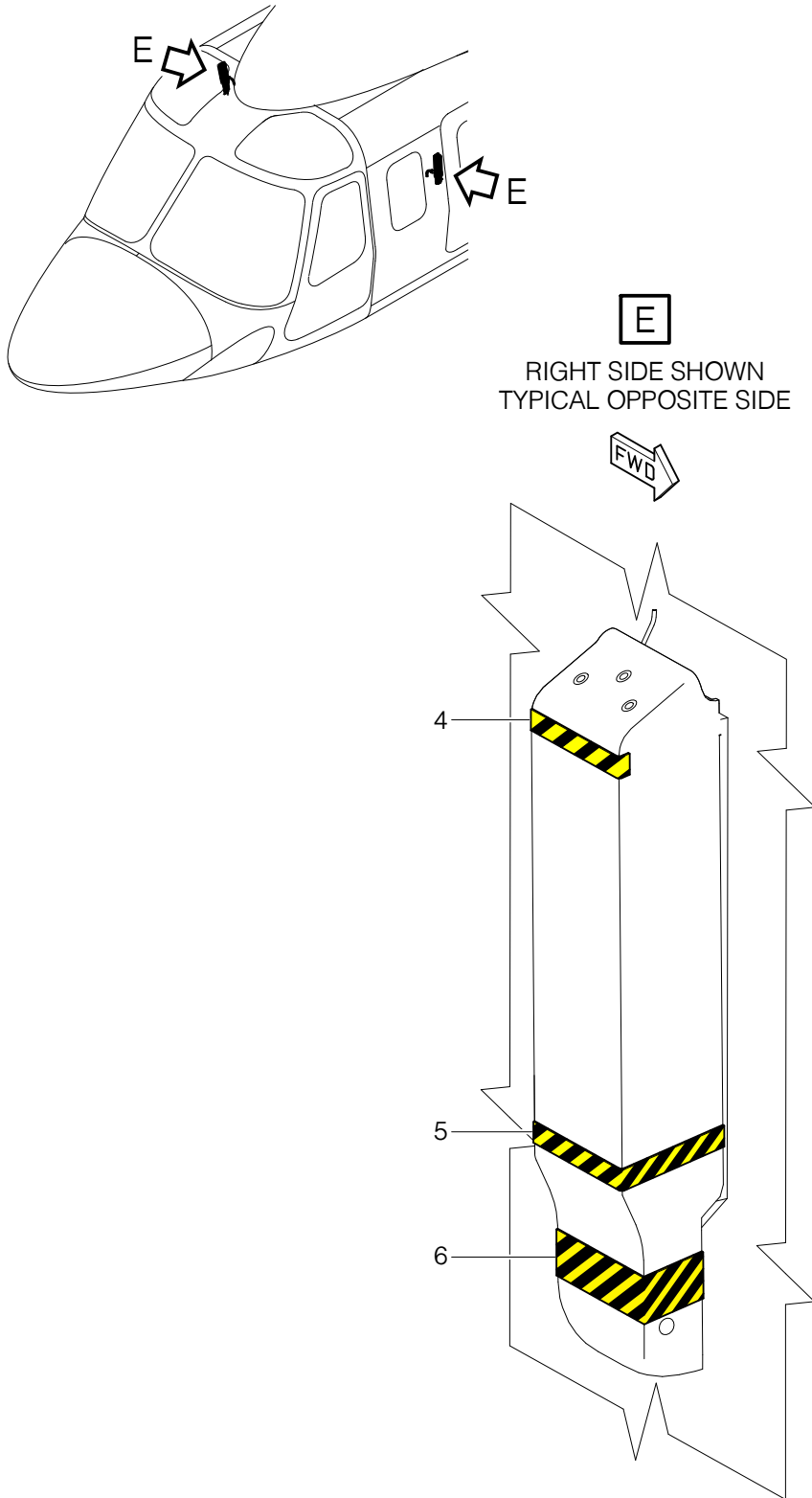
ICN-39-A-112200-G-00001-40634-A-001-01

Figure 1 (Sheet 1 of 5) Exterior markings – Emergency markings – General data



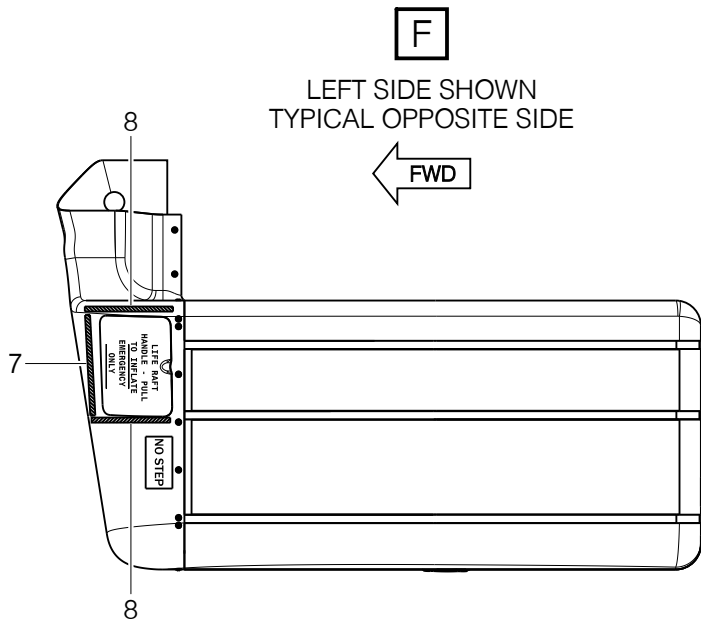
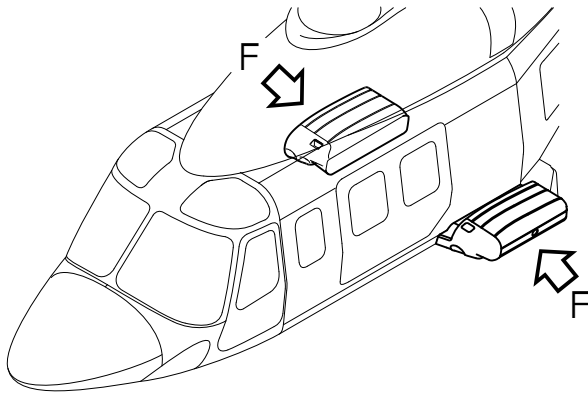
ICN-39-A-112200-G-00001-40635-A-001-01

Figure 1 (Sheet 2 of 5) Exterior markings – Emergency markings – General data



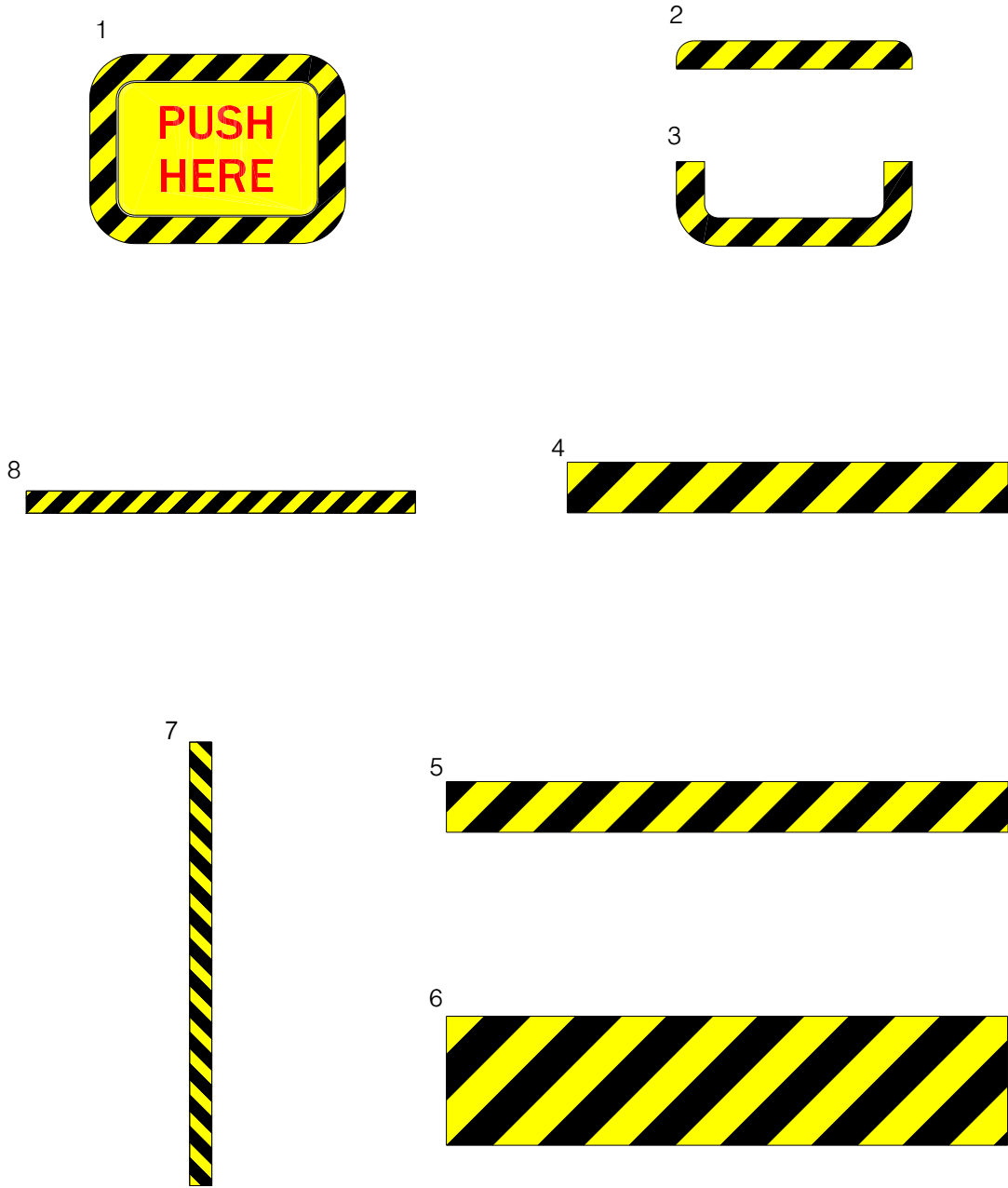
ICN-39-A-112200-G-00001-40636-A-001-01

Figure 1 (Sheet 3 of 5) Exterior markings – Emergency markings – General data



ICN-39-A-112200-G-00001-40637-A-001-01

Figure 1 (Sheet 4 of 5) Exterior markings – Emergency markings – General data



ICN-39-A-112200-G-00001-40638-A-001-01

Figure 1 (Sheet 5 of 5) Exterior markings – Emergency markings – General data

THIS PAGE INTENTIONALLY LEFT BLANK

End of Data Module

Interior markings - Emergency markings - General data

Table of contents

References 1

1 General data 1

List of tables

1 References 1

2 Interior markings 2

List of figures

1 Interior markings - Emergency markings - General Data (Sheet 1 of 3) 3

1 Interior markings - Emergency markings - General Data (Sheet 2 of 3) 4

1 Interior markings - Emergency markings - General Data (Sheet 3 of 3) 5

References

Table 1 References

Data Module	Title
39-A-11-00-01-00A-520B-A	Decal (vinyl film) - Remove procedure
39-A-11-00-01-00A-720A-A	Decal - Install procedure

Description

1 General data

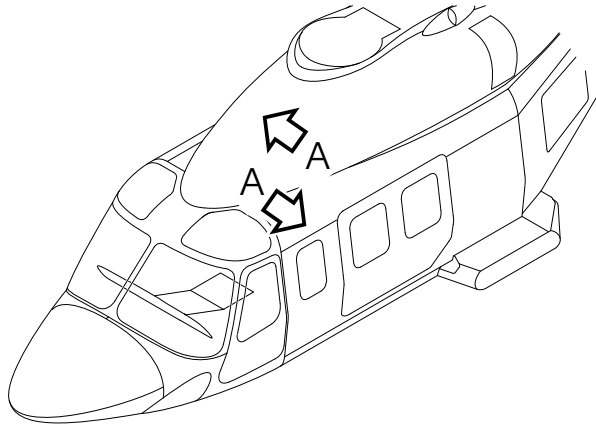
This chapter gives the general data for the markings and their location on the interior of the helicopter ([Figure 1](#)). [Table 2](#) gives all the interior markings. The table gives:

- The reference number of each marking
- The type and the material of the marking
- The related IPD identification number.

The markings shown are those required for emergency. To remove the markings made from vinyl film refer to [39-A-11-00-01-00A-520B-A](#). To install the markings refer to [39-A-11-00-01-00A-720A-A](#).

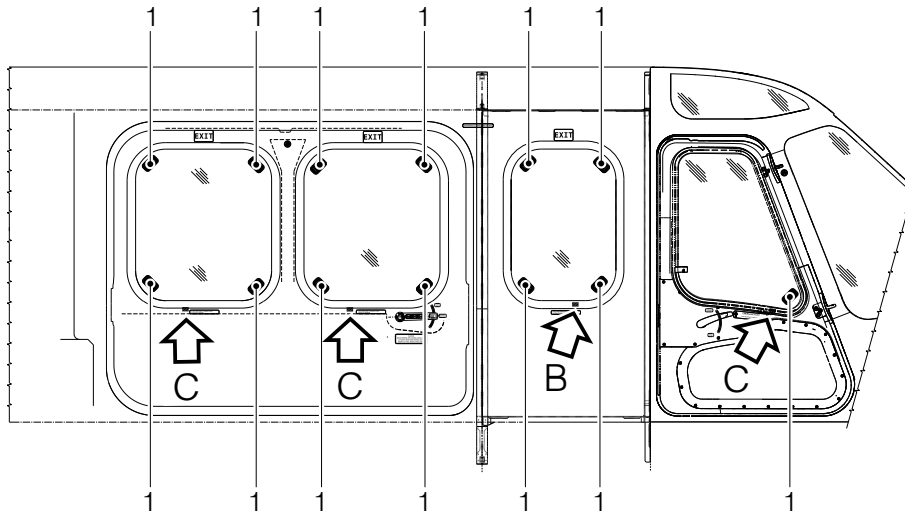
Table 2 Interior markings

Ref. (Figure 1)	Type and material	Identification number
1	Decal, vinyl film	3G1130A27151
2	Decal, vinyl film	3G5211A14432
3	Decal, vinyl film	3G5211A14431
4	Decal, vinyl film	3G1130A27153



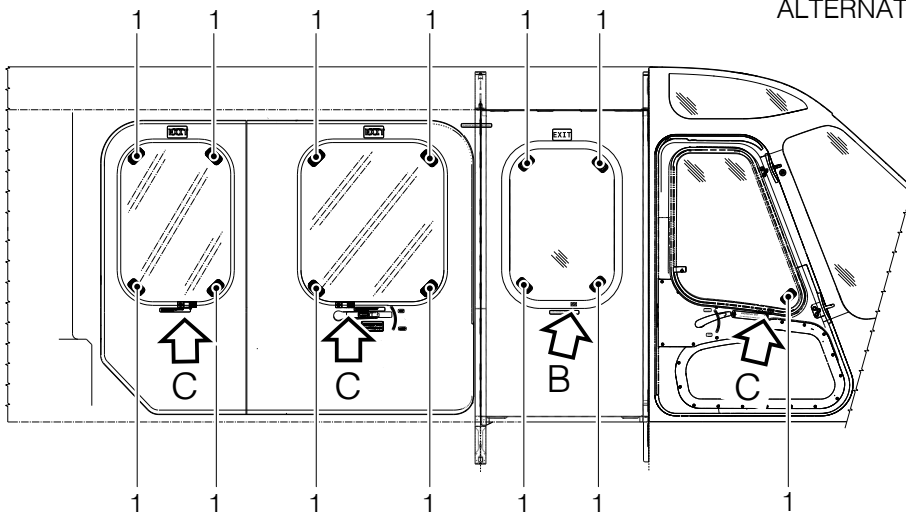
A

LEFT SIDE SHOWN
TYPICAL OPPOSITE SIDE



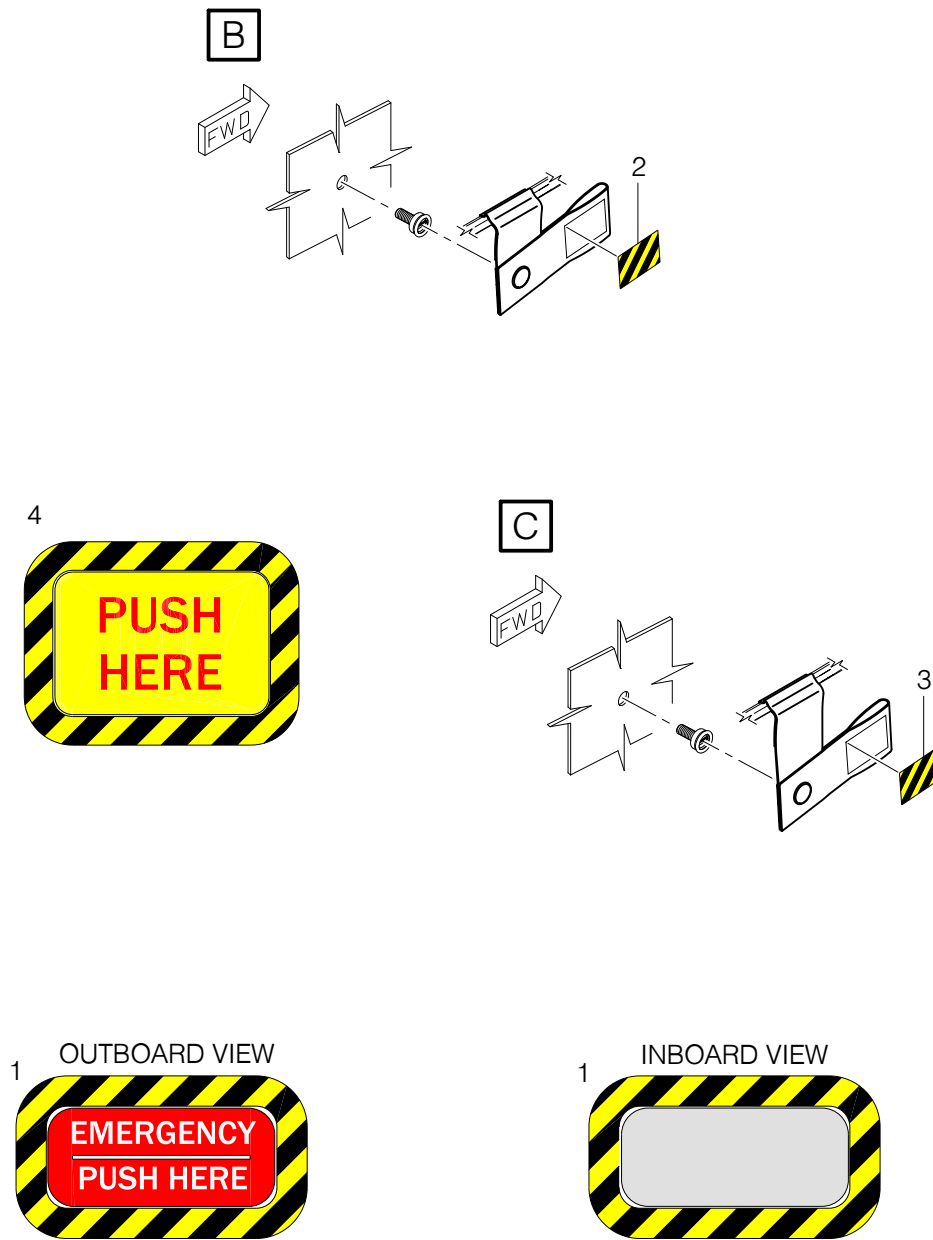
A

LEFT SIDE SHOWN
TYPICAL OPPOSITE SIDE
ALTERNATIVE CONFIGURATION



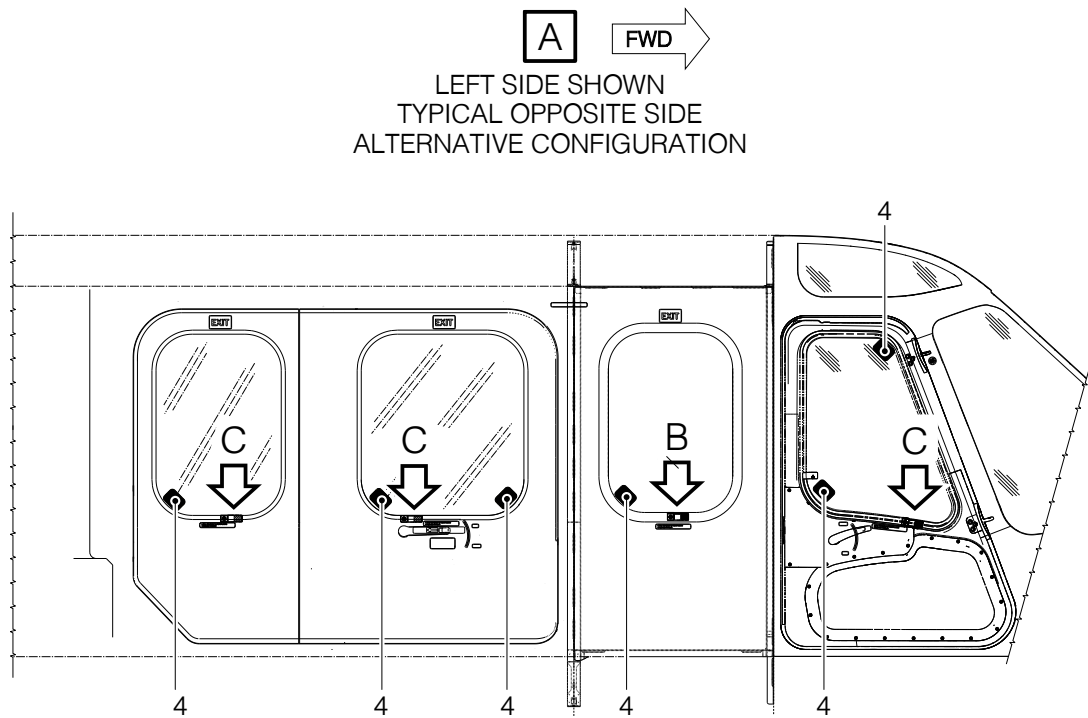
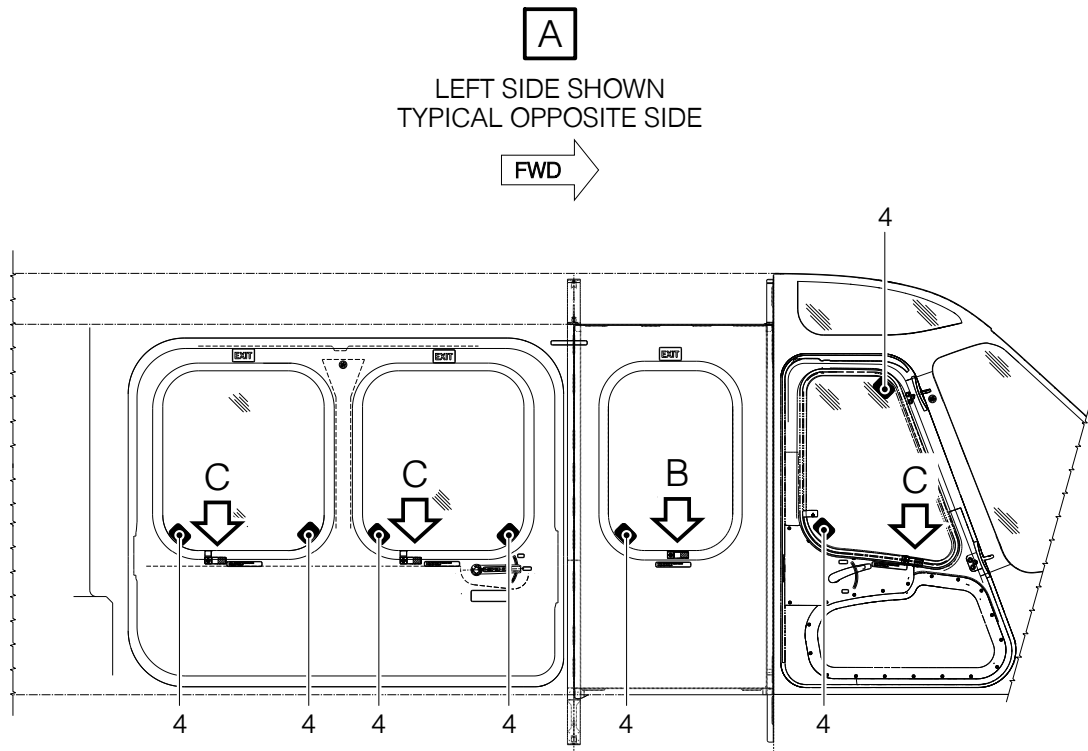
ICN-39-A-113200-G-00001-40631-A-001-01

Figure 1 (Sheet 1 of 3) Interior markings - Emergency markings - General Data



ICN-39-A-113200-G-00001-40632-A-001-01

Figure 1 (Sheet 2 of 3) Interior markings - Emergency markings - General Data



ICN-39-A-113200-G-00001-40633-A-001-01

Figure 1 (Sheet 3 of 3) Interior markings - Emergency markings - General Data

THIS PAGE INTENTIONALLY LEFT BLANK

End of Data Module