

### MLG RIGHT SEGMENT - Illustrated Parts Data

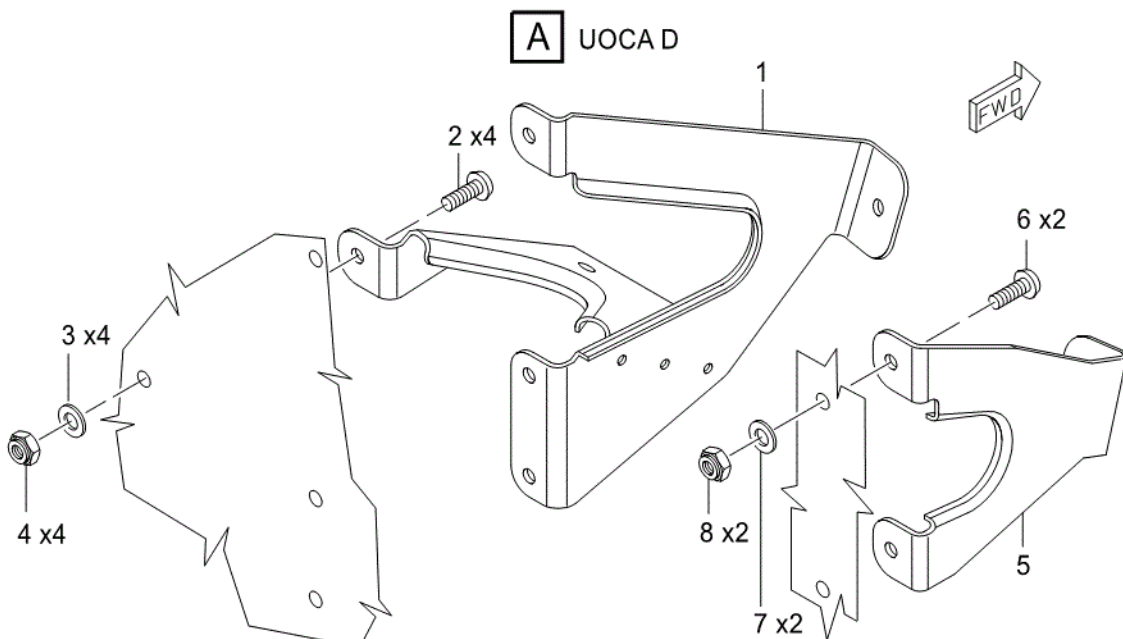
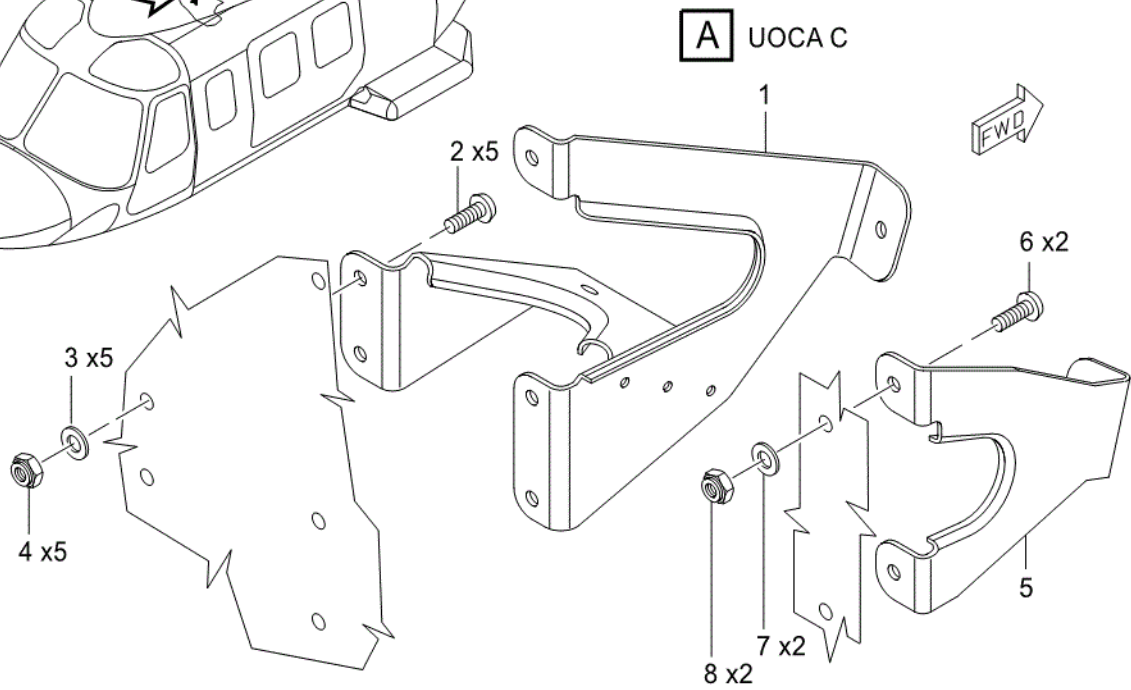
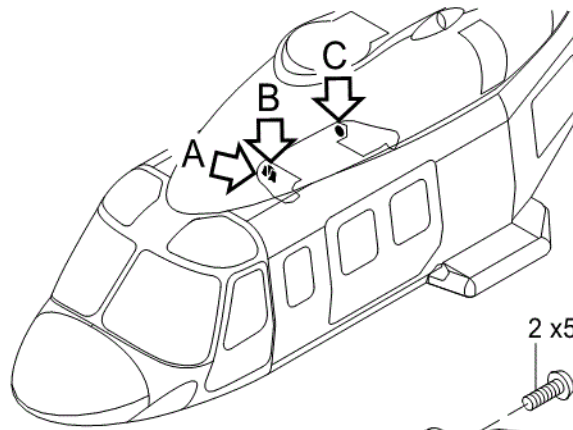
FIG	PART NUMBER.....	DESCRIPTION	**UOCA..	I C	QNHA	SMR...
ITEM	NSN.....	1 2 3 4 5 6 7 8 9	MVEFFECT..	Y	UI	
02						
- 0	3P5339A00431	MLG RIGHT SEGMENT (NSCM A0126) (NOTE:FOR SPARE REPLACEMENT USE PNR 3P5339A00433A/Refer to 53-24-00 fig. 01 item 026 for NHA)	** A SN *2U		REF	XC
- 0	3P5339A00432	MLG RIGHT SEGMENT (NSCM A0126) (NOTE:FOR SPARE REPLACEMENT USE PNR 3P5339A00433A/Refer to 53-24-00 fig. 01 item 026 for NHA)	** B SN *1R		REF EA	PBOOO
- 0	3P5339A00433	MLG RIGHT SEGMENT (NSCM A0126) (NOTE:FOR SPARE REPLACEMENT USE PNR 3P5339A00433A/Refer to 53-24-00 fig. 01 item 026 for NHA)	** C EN *2H EP *2H LN *2H SN *2H		REF EA	PBOOO
- 0	3P5339A00433A	MLG RIGHT SEGMENT (NSCM A0126) (SPECIAL SPARE CONDITIONS/Refer to 53-24-00 fig. 01 item 026 for NHA)	** A SN *2U		REF EA	PBOOO
- 0	3P5339A00433A	MLG RIGHT SEGMENT (NSCM A0126) (SPECIAL SPARE CONDITIONS/Refer to 53-24-00 fig. 01 item 026 for NHA)	** B SN *1R		REF EA	PBOOO
- 0	3P5339A00433A	MLG RIGHT SEGMENT (NSCM A0126) (SPECIAL SPARE CONDITIONS/Refer to 53-24-00 fig. 01 item 026 for NHA)	** C EN *2H EP *2H LN *2H SN *2H		REF EA	PBOOO
- 0	3P5339A00434	MLG RIGHT SEGMENT (NSCM A0126) (Refer to 53-24-00 fig. 02 item 038 for NHA)	** D EN EP		REF EA	PBOOO
1	3P5315A08031	• SUPPORT ASSY,RH (NSCM A0126)	** --CD-- EN EP LN *2H SN *2H		-3 0001 EA	PAOZZ
1	3G5316A80031	• SUPPORT ASSY,RH (NSCM A0126)	** --CD-- EN EP LN *2H SN *2H		5- 0001 EA	PAOZZ
2	NAS6603-2	* BOLT,SHEAR (NSCM 80205)	** --C--- EN *2H EP *2H LN *2H SN *2H		0005 EA	PAOZZ
2	NAS6603-3	* BOLT,SHEAR (NSCM 80205)	** ---D-- EN EP		0004 EA	PAOZZ
3	NAS1149D0316K	* WASHER,FLAT (NSCM 80205)	** --C---		0005	PAOZZ

			EN *2H EP *2H LN *2H SN *2H	EA		
3	NAS1149D0316K	* WASHER,FLAT (NSCM 80205)	** ---D-- EN EP	0004 EA	PAOZZ	
4	MS21042L3	* NUT,SELF-LOCKING,EXTENDED WASHER,HEXAGON (NSCM 80205) (To get this item refer to the approved manufacturer list only - Refer to: 39-A-00-00-00-00A-94BA-D)	** --C--- EN *2H EP *2H LN *2H SN *2H	-3 0005 EA	PAOZZ	
4	NAS9926-3L	* NUT,SELF-LOCKING,HEXAGON (NSCM 80205)	** --C--- EN *2H EP *2H LN *2H SN *2H	5- 0005	PAOZZ	
4	MS21042L3	* NUT,SELF-LOCKING,EXTENDED WASHER,HEXAGON (NSCM 80205) (To get this item refer to the approved manufacturer list only - Refer to: 39-A-00-00-00-00A-94BA-D)	** ---D-- EN EP	-3 0004 EA	PAOZZ	
4	NAS9926-3L	* NUT,SELF-LOCKING,HEXAGON (NSCM 80205)	** ---D-- EN EP	5- 0004	PAOZZ	
5	3P5315A08251	• SUPPORT,RH (NSCM A0126)	** --CD-- EN *2H EP *2H LN *2H SN *2H	0001 EA	PAOZZ	
6	NAS6603-5	* BOLT,CLOSE TOLERANCE (NSCM 80205)	** --CD-- EN *2H EP *2H LN *2H SN *2H	0002 EA	PAOZZ	
7	NAS1149D0316K	* WASHER,FLAT (NSCM 80205)	** --CD-- EN *2H EP *2H LN *2H SN *2H	0002 EA	PAOZZ	
8	MS21042L3	* NUT,SELF-LOCKING,EXTENDED WASHER,HEXAGON (NSCM 80205) (To get this item refer to the approved manufacturer list only - Refer to: 39-A-00-00-00-00A-94BA-D)	** --CD-- EN *2H EP *2H LN *2H SN *2H	-3 0002 EA	PAOZZ	
8	NAS9926-3L	* NUT,SELF-LOCKING,HEXAGON (NSCM 80205)	** --CD-- EN *2H EP *2H LN *2H SN *2H	5- 0002	PAOZZ	
-9	3P5339A00631	• MLG BRACKET ASSY (NSCM A0126) (FDW, RIGHT)	** A---- SN *2U	REF	XA	
-9	3P5339A00632	• MLG BRACKET ASSY (NSCM A0126) (FDW, RIGHT)	** -B---- SN *1R	REF	XA	

- 9	3P5339A00633	• MLG BRACKET ASSY (NSCM A0126) (FDW, RIGHT/NOTE:FOR SPARE REPLACEMENT USE PNR 3P5339A00433A)	** -C--- EN *2H EP *2H LN *2H SN *2H	REF	XA
- 9	3P5339A00634	• MLG BRACKET ASSY (NSCM A0126) (FDW, RIGHT)	** ---D-- EN EP	REF	XA
10	3P5339A01031	• • SOCKET (NSCM A0126)	EN EP LN SN	0001 EA	PAOLD
11	NAS6604D10	* * BOLT (NSCM 80205)	EN EP LN SN	0008 EA	PAOZZ
12	NAS1149F0432P	* * WASHER,FLAT (NSCM 80205)	EN EP LN SN	0008 EA	PAOZZ
13	MS17825-4	* * NUT,SELF-LOCKING,SLOTTED,HEXAGON (NSCM 96906)	EN EP LN SN	0008 EA	PAOZZ
14	MS24665-134	* * PIN,COTTER (NSCM 96906)	EN EP LN SN	-1 0008 EA	PAOZZ
14	MS24665-136	* * PIN,COTTER (NSCM 80205)	EN EP LN SN	2- 0008 EA	PAOZZ
- 15	3P5339A00831	• MLG BRACKET ASSY (NSCM A0126) (AFT, RIGHT)	** A----- SN *2U	REF	XA
- 15	3P5339A00833	• MLG BRACKET ASSY (NSCM A0126) (AFT, RIGHT)	** -BC--- EN *2H EP *2H LN *2H SN *1R SN *2H	REF	XA
- 15	3P5339A00834	• MLG BRACKET ASSY (NSCM A0126) (AFT, RIGHT)	** ---D-- EN EP	REF	XA
16	3P5339A01031	• • SOCKET (NSCM A0126)	EN EP LN SN	0001 EA	PAOLD

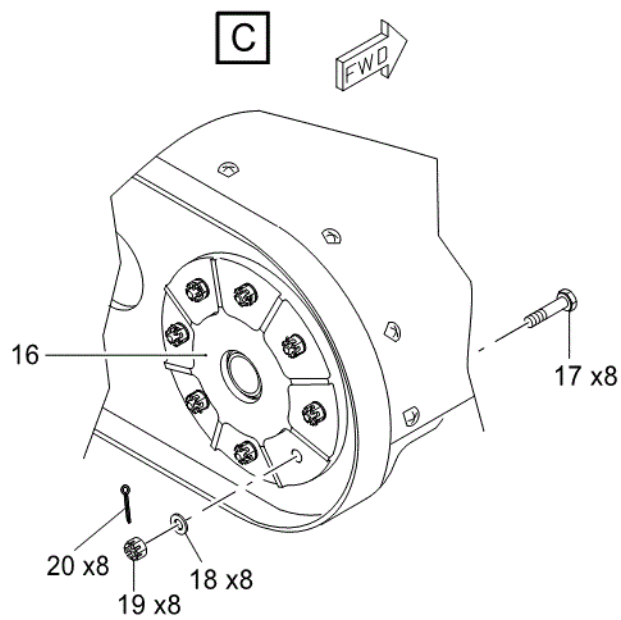
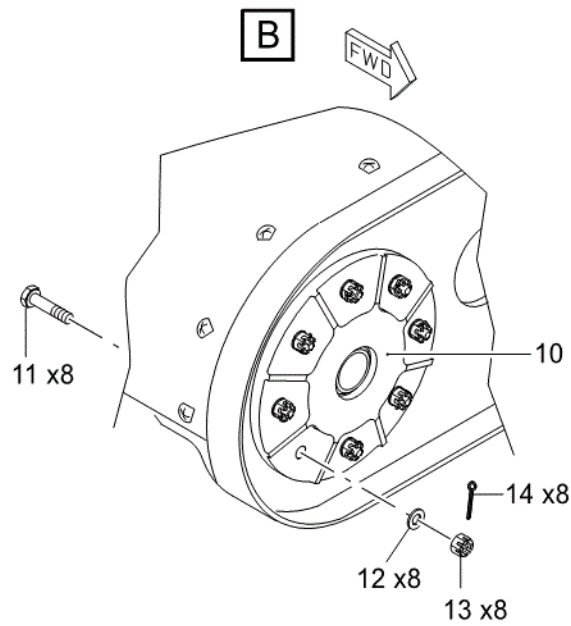
17	NAS6604D10	* * BOLT (NSCM 80205)	** AB---- SN *1R SN *2U	0008 EA	PAOZZ
17	NAS6604D9	* * BOLT,SHEAR (NSCM 80205)	** --CD-- EN EP LN *2H SN *2H	0008 EA	PAOZZ
18	NAS1149F0432P	* * WASHER,FLAT (NSCM 80205)	EN EP LN SN	0008 EA	PAOZZ
19	MS17825-4	* * NUT,SELF-LOCKING,SLOTTED,HEXAGON (NSCM 96906)	EN EP LN SN	0008 EA	PAOZZ
20	MS24665-134	* * PIN,COTTER (NSCM 96906)	EN EP LN SN	-1 0008 EA	PAOZZ
20	MS24665-136	* * PIN,COTTER (NSCM 80205)	EN EP LN SN	2- 0008 EA	PAOZZ

---



ICN-39-A-532401-G-00001-06638-A-003-01

*FIGURE 02 MLG RIGHT SEGMENT (SHEET 1 OF 2)*



ICN-39-A-532401-G-00001-15862-A-002-01

*FIGURE 02 MLG RIGHT SEGMENT (SHEET 2 OF 2)****Document status and identification***

<b>Document code</b>	39-A-53-24-01-020-941A-A
<b>Document title</b>	MLG RIGHT SEGMENT - Illustrated Parts Data
<b>Issue number</b>	035
<b>Issue date</b>	2023-05-26
<b>Reason for update</b>	Changed - Technical change
<b>Quality assurance</b>	tabtop
<b>Effectivity</b>	ENH - PLUS - LN - SN