

## PILOT DOOR ASSY,RH - Illustrated Parts Data

FIG ITEM	PART NUMBER..... NSN.....	DESCRIPTION 1 2 3 4 5 6 7 8 9	**UOCA.. MVEFFECT..	I C Y	QNHA UI	SMR...
02						
- 0	3P5211A00231	PILOT DOOR ASSY,RH (NSCM A0126) (MODIFIED BY PN 3G5606P00111 AND PN 3G5206P03511/Refer to 52-11-00 fig. 01 item 012 for NHA)	** A SN		REF EA	PAOFF
- 0	3P5211A00231	PILOT DOOR ASSY,RH (NSCM A0126) (MODIFIED BY PN 3G5206P01611 AND PN 3G5206P03511 AND PN 3G5206P05311/Refer to 52-11-00 fig. 01 item 012 for NHA)	** A LN *16Y		REF EA	PAOFF
- 0	3P5211A00232	PILOT DOOR ASSY,RH (NSCM A0126) (MODIFIED BY PN 3G5200A00111/Refer to 52-11-00 fig. 01 item 012 for NHA)	** B LN *16Z		REF EA	PAOFF
- 0	3P5211A00233	PILOT DOOR ASSY,RH (NSCM A0126) (MODIFIED BY PN 3G5200A00111/Refer to 52-11-00 fig. 01 item 012 for NHA)	** C EN		REF EA	PAOFF
- 0	3G5211A07631	PILOT DOOR ASSY,RH (NSCM A0126) (Refer to 52-11-00 fig. 01 item 012 for NHA)	** D EN		REF EA	PAOFF
1	3P5211A01231	• DOOR PANEL (NSCM A0126)	** ABC--- EN EP LN SN		REF	XA
1	3G5211A07831	• DOOR PANEL (NSCM A0126)	** ---D-- EN		REF	XA
2	3P5211A01432	• UPPER HINGE ASSY,RH (NSCM A0126)	EN EP LN SN		0001 EA	PAFZZ
3	MS24694-C52	* SCREW,MACHINE (NSCM 96906)	EN EP LN SN		0003 EA	PAFZZ
4	3P5211A01632	• LOWER HINGE ASSY,RH (NSCM A0126)	EN EP LN SN		0001 EA	PAFZZ
5	MS24694-C52	* SCREW,MACHINE (NSCM 96906)	EN EP LN SN		0003 EA	PAFZZ
- 6	DPN56002	•	** AB----		REF	XC

		RIGHT COCKPIT DOOR WINDOW INSTL (NSCM A0126) (Refer to 56-31-00 fig. 02 item 000 for BKDN)	LN SN			
- 6	DPN56023	• RIGHT COCKPIT DOOR WINDOW INSTL (NSCM A0126) (Refer to 56-31-00 fig. 02M item 000 for BKDN)	** --C--- EN	REF	XC	
- 6	DPN56034	• CABIN COMPARTMENT,KIT WINDOW DOUBLE LAYER PAX,GRAY (NSCM A0126) (Refer to 56-31-00 fig. 02M item 000 for BKDN)	** ---D-- EN	REF	XC	
- 7	DPN52008	• CYLINDER LOCK INSTL,PILOT DOOR,RH (NSCM A0126) (Refer to 53-10-02 fig. 01 item 002)	EN LN SN	REF	XC	
8	3G5206P03131	• • REVOLVING LOCK AND KEY ASSY (NSCM A0126)	EN LN SN	REF EA	PAOZZ	
9	3G5206P01651	• • BUSHING (NSCM A0126)	EN LN SN	0001 EA	PAOZZ	
10	3G5206P01652	• • LOCK (NSCM A0126)	EN LN SN	0001 EA	PAOZZ	
11	NAS1149D0316K	• • WASHER,FLAT (NSCM 80205)	EN LN SN	0001 EA	PAOZZ	
12	3P5211A11051	• HANDLE (NSCM A0126)	EN EP LN SN	0001 EA	PAOZZ	
13	NAS607-2-8-5P	* PIN,STRAIGHT,HEADLESS (NSCM 80205) (PRE MOD.B.T.139-094)	** A----- LN *16Y SN	-3 0001 EA	PAOZZ	
13	NAS561C4-16	* PIN,SPRING (NSCM 80205) (POST MOD.B.T.139-094)	** A----- LN *16Y SN	5- 0001 EA	PAOZZ	
13	MS171534	* PIN,SPRING (NSCM 96906)	** -BCD-- EN LN *16Z	-1 0001 EA	PAOZZ	
13	NAS561C4-16	* PIN,SPRING (NSCM 80205)	** -BCD-- EN LN *16Z	2- 0001 EA	PAOZZ	
14	3P5211A04131	• UPPER BOLT (NSCM A0126)	EN EP LN SN	0001 EA	PAOOO	
14H	3P5211A41751	• • BOLT END (NSCM A0126)	EN	0001 EA	PAOZZ	

			EP LN SN		
14S	MS20426AD4-16	• • RIVET,SOLID (NSCM 96906)		0002 EA	PAOZZ
			EN EP LN SN		
15	3P5211A04331	• LOWER BOLT (NSCM A0126)		0001 EA	PAOOO
			EN EP LN SN		
15H	3P5211A41751	• • BOLT END (NSCM A0126)		0001 EA	PAOZZ
			EN EP LN SN		
15S	MS20426AD4-16	• • RIVET,SOLID (NSCM 96906)		0002 EA	PAOZZ
			EN EP LN SN		
16	3P5211A04631	• MECHANISM ASSY,RH (NSCM A0126) (Refer to 52-11-03 fig. 01 item 000 for BKDN)		0001 EA	PAOFF
			EN EP LN SN		
17	NAS6603H2	* BOLT,SHEAR (NSCM 80205)		0004 EA	PAOZZ
			EN EP LN SN		
18	NAS1149D0316K	* WASHER,FLAT (NSCM 80205)		0004 EA	PAOZZ
			EN EP LN SN		
19	3P5211A40151	• LEVER (NSCM A0126)		0001 EA	PAOZZ
			EN EP LN SN		
20	MS20392-2C15	• PIN,STRAIGHT,HEADED (NSCM 96906)		0001 EA	PAOZZ
			EN EP LN SN		
21	NAS1149D0316K	• WASHER,FLAT (NSCM 80205)		0011 EA	PAOZZ
			EN EP LN SN		
22	NAS1149D0332K	• WASHER,FLAT (NSCM 80205)		0003	PAOZZ

			EN EP LN SN	EA	
23	MS24665-132	• PIN,COTTER (NSCM 80205)		0007 EA	PAOZZ
			EN EP LN SN		
24	MS20392-2C21	• PIN,STRAIGHT,HEADED (NSCM 96906)		0001 EA	PAOZZ
			EN EP LN SN		
25	MS20392-2C13	• PIN,STRAIGHT,HEADED (NSCM 96906)		0005 EA	PAOZZ
			EN EP LN SN		
26	3P5211A03531	• ROD (NSCM A0126)		0001 EA	PAFZZ
			EN EP LN SN		
27	3P5211A02231	• BRACKET ASSY,RH (NSCM A0126)		0001 EA	PAFFF
			EN EP LN SN		
28	NAS6603H2	* BOLT,SHEAR (NSCM 80205)		0003 EA	PAOZZ
			EN EP LN SN		
29	NAS1149D0316K	* WASHER,FLAT (NSCM 80205)		0006 EA	PAOZZ
			EN EP LN SN		
29H	MTFR10-12	• • BEARING,SLEEVE FLANGED (NSCM K7067)		0001 EA	PAFZZ
			EN EP LN SN		
29S	MTFR12-12	• • BEARING,SLEEVE FLANGED (NSCM K7067)		0001 EA	PAFZZ
			EN EP LN SN		
30	3P5211A02631	• LEVER ASSY (NSCM A0126)	** AB----	0001 EA	PAFZZ
			LN SN		
30	3P5211A02632	• LEVER ASSY,RH (NSCM A0126)	** --C----	0001 EA	PAFZZ
			EN		

31	3P5211A21352	• SPRING (NSCM A0126)	EN EP LN SN		0001	PAOZZ
32	3P5211A03931	• ROD (NSCM A0126)	EN EP LN SN		0001 EA	PAFZZ
33	3P5211A02832	• LEVER ASSY,RH (NSCM A0126)	** AB---- LN SN		0001 EA	PAOZZ
33	3P5211A02832	• LEVER ASSY,RH (NSCM A0126)	** --C--- EN	-1	0001 EA	PAOZZ
33	3G5211A03731	• LEVER ASSY,RH (NSCM A0126)	** --C--- EN	2-	0001 EA	PAOZZ
33	3G5211A03731	• LEVER ASSY,RH (NSCM A0126)	** ---D-- EN	-1	0001 EA	PAOZZ
33	3G5211A03732	• LEVER ASSY,RH (NSCM A0126)	** ---D-- EN	2-	0001 EA	PAOZZ
33H	NAS1149F0632P	• WASHER,FLAT (NSCM 80205)	** ---D-- EN		0002 EA	PAOZZ
33S	MS16624-1037	• RING,RETAINING,EXTERNAL (NSCM 96906)	** ---D-- EN		0002 EA	PAOZZ
34	H2305-5	• HANDLE,DOOR (NSCM 97499)	** A---- LN *16Y SN	-1	0001 EA	PAOZZ
34	A257A001A	• HANDLE,DOOR (NSCM A0126)	** A---- LN *16Y SN	21	0001 EA	PAOZZ
34	139P04763-51	• HANDLE,DOOR (NSCM A0126)	** A---- LN *16Y SN	2-	0001 EA	PAOZZ
34	3P5211A47751	• HANDLE,DOOR (NSCM A0126)	** -B---- LN *16Z	-1	0001 EA	PAOZZ
34	139P04763-51	• HANDLE,DOOR (NSCM A0126)	** -B---- LN *16Z	21	0001 EA	PAOZZ
34	6A0301ID0291102T04	• HANDLE,DOOR,RH (NSCM A0126)	** -B---- LN *16Z	2-	0001 EA	PAOZZ
34	6A0301ID0291302T04	• HANDLE,DOOR,RH (NSCM A0126)	** --C--- EN	-1	0001 EA	PAOZZ
34	6A0301ID0291102T04	• HANDLE,DOOR,RH (NSCM A0126)	** --C--- EN	2-	0001 EA	PAOZZ
35	NAS607-2-4P	• PIN,STRAIGHT,HEADLESS (NSCM 80205)	** A---- LN *16Y SN		0001 EA	PAOZZ

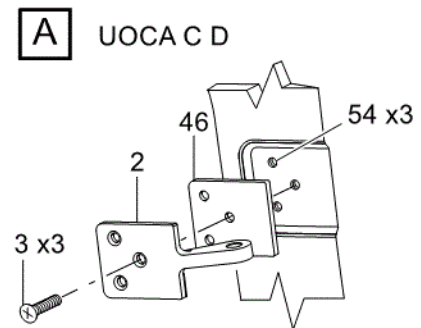
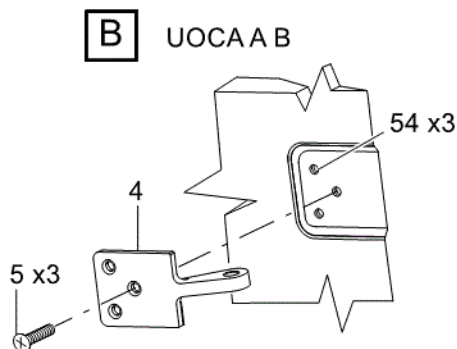
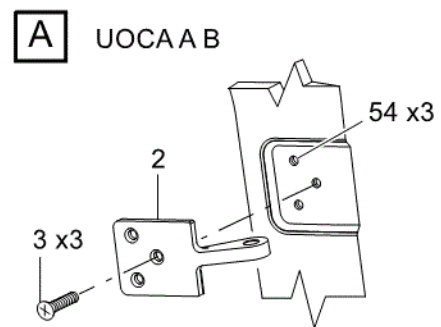
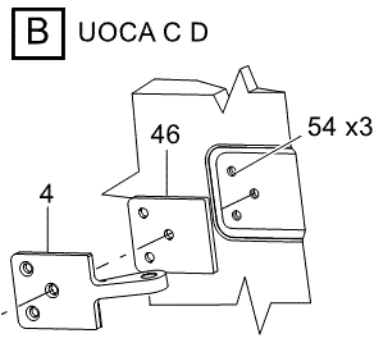
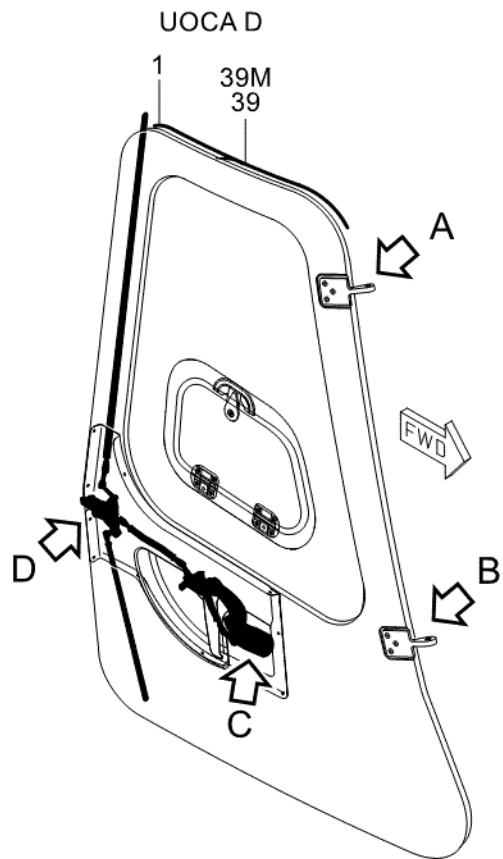
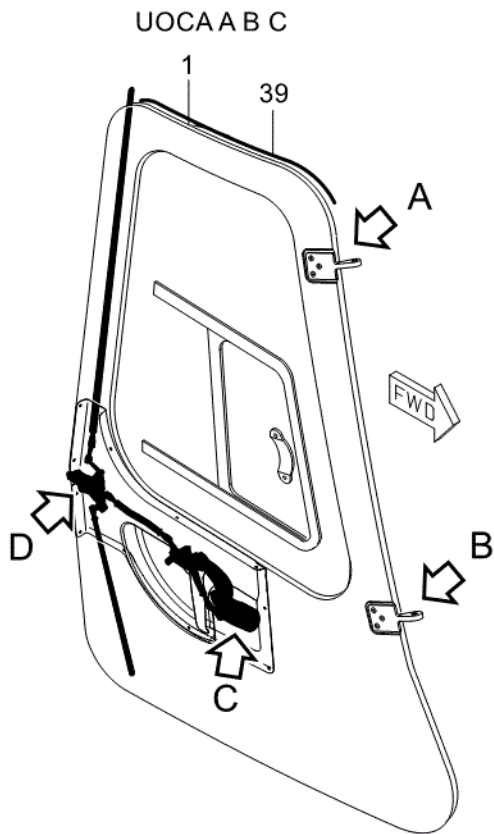
35	NAS607-2-8-5P	• PIN,STRAIGHT,HEADLESS (NSCM 80205)	** -BC--- EN LN *16Z	0001 EA	PAOZZ
35	NAS561C4-20	• PIN,SPRING (NSCM 80205)	** ---D-- EN	0001	PAOZZ
36	3P5211A10651	• COVER (NSCM A0126)	** ABC--- EN EP LN SN	0001 EA	PAOZZ
36	3P5211A10652	• COVER (NSCM A0126)	** ---D-- EN	-1 0001 EA	PAOZZ
36	3G5211A09751	• COVER (NSCM A0126)	** ---D-- EN	2- 0001 EA	PAOZZ
37	MS35207-259	* SCREW,MACHINE (NSCM 96906)	EN EP LN SN	0011 EA	PAOZZ
38	NAS1149D0316K	* WASHER,FLAT (NSCM 80205)	EN EP LN SN	0011 EA	PAOZZ
38M	3G5211A08451	• SEAL (NSCM A0126)	** ---D-- EN	0001 EA	PAOZZ
39	A146A1606CB500	• EXTRUSION,RUBBER,SILICONE (NSCM A0126) (Manufacture from 52-01-01 fig. 01 item 004)	** AB---- LN SN	-3 REF	MOOZZ
39	A146A1606CB	• EXTRUSION,RUBBER,SILICONE (NSCM A0126)	** AB---- LN SN	5- AR EA	PCOZZ
39	AW003MF001AB2830	• EXTRUSION,RUBBER,SILICONE (NSCM A0126) (Manufacture from 52-01-01 fig. 01 item 008)	** --C--- EN	REF	MOOZZ
39	AW003MF001AB	• EXTRUSION, NON METALLIC, SILICON RUBBER (NSCM A0126)	** ---D-- EN	AR EA	PCOZZ
39M	3G5211A01752	• RH SEAL RETAINER (NSCM A0126)	** ---D-- EN	0001 EA	PAOZZ
40	MS27039-1-18	• SCREW,MACHINE (NSCM 96906)	EN EP LN SN	0001 EA	PAOZZ
41	NAS1149C0316R	• WASHER,FLAT (NSCM 80205)	EN EP LN SN	0003 EA	PAOZZ
42	MS21042L3	• NUT,SELF-LOCKING,EXTENDED WASHER,HEXAGON (NSCM 80205) (To get this item	EN	-3 0001 EA	PAOZZ

		refer to the approved manufacturer list only - Refer to: 39 -A-00-00-00-00A-94BA-D)	EP LN SN		
42	NAS9926-3L	• NUT,SELF-LOCKING,HEXAGON (NSCM 80205)	EN EP LN SN	5-	0001 PAOZZ
43	NAS43HT3-48	• SPACER,SLEEVE (NSCM 80205)	EN EP LN SN		0001 EA PAOZZ
44	3P5211A47551	• STOP SUPPORT (NSCM A0126)	** AB--- LN SN		0001 EA PAOZZ
44	3G5211A03451	• STOP SUPPORT (NSCM A0126)	** -C--- EN		0001 EA PAOZZ
44	3G5211A08851	• STOP SUPPORT (NSCM A0126)	** ---D-- EN		0001 EA PAOZZ
45	3G5211A00451	• WASHER (NSCM A0126)	EN EP LN SN		0001 EA PAOZZ
46	3P5211A47451	• SHIM (NSCM A0126)	** --CD-- EN		0002 EA PAOZZ
47	AN743C12	• BRACKET,ANGLE (NSCM 88044)	** -C--- EN	-1	0001 EA PAOZZ
47	AN743-C12	• BRACKET,ANGLE (NSCM 88044)	** -C--- EN	2-	0001 EA PAOZZ
48	MS27039-1-06	• SCREW,MACHINE (NSCM 80205)	** -C--- EN		0001 EA PAOZZ
49	NAS1149D0316K	• WASHER,FLAT (NSCM 80205)	** -C--- EN		0001 EA PAOZZ
50	MS21042L3	• NUT,SELF-LOCKING,EXTENDED WASHER,HEXAGON (NSCM 80205) (To get this item refer to the approved manufacturer list only - Refer to: 39 -A-00-00-00-00A-94BA-D)	** -C--- EN	-3	0001 EA PAOZZ
50	NAS9926-3L	• NUT,SELF-LOCKING,HEXAGON (NSCM 80205)	** -C--- EN	5-	0001 PAOZZ
51	3G5211A00352	• RH FLANGE (NSCM A0126)	** ---D-- EN		0001 EA PAOZZ
52	MS16624-1087	• RING,RETAINING,EXTERNAL (NSCM 96906)	EN EP LN SN		0001 EA PAOZZ
53	NAS1832-3-4	• INSERT,SCREW THREAD (NSCM 80205)			0003 PAOZZ

			EN	EA	
			EP		
			LN		
			SN		
54	999-5000-30-116	• INSERT (NSCM A0126)		-3	0006 PAOZZ
			EN	EA	
			EP		
			LN		
			SN		
54	AW007TE-30-116	• INSERT,SCREW-THREAD (NSCM A0126)		5-	0006 PAOZZ
			EN	EA	
			EP		
			LN		
			SN		

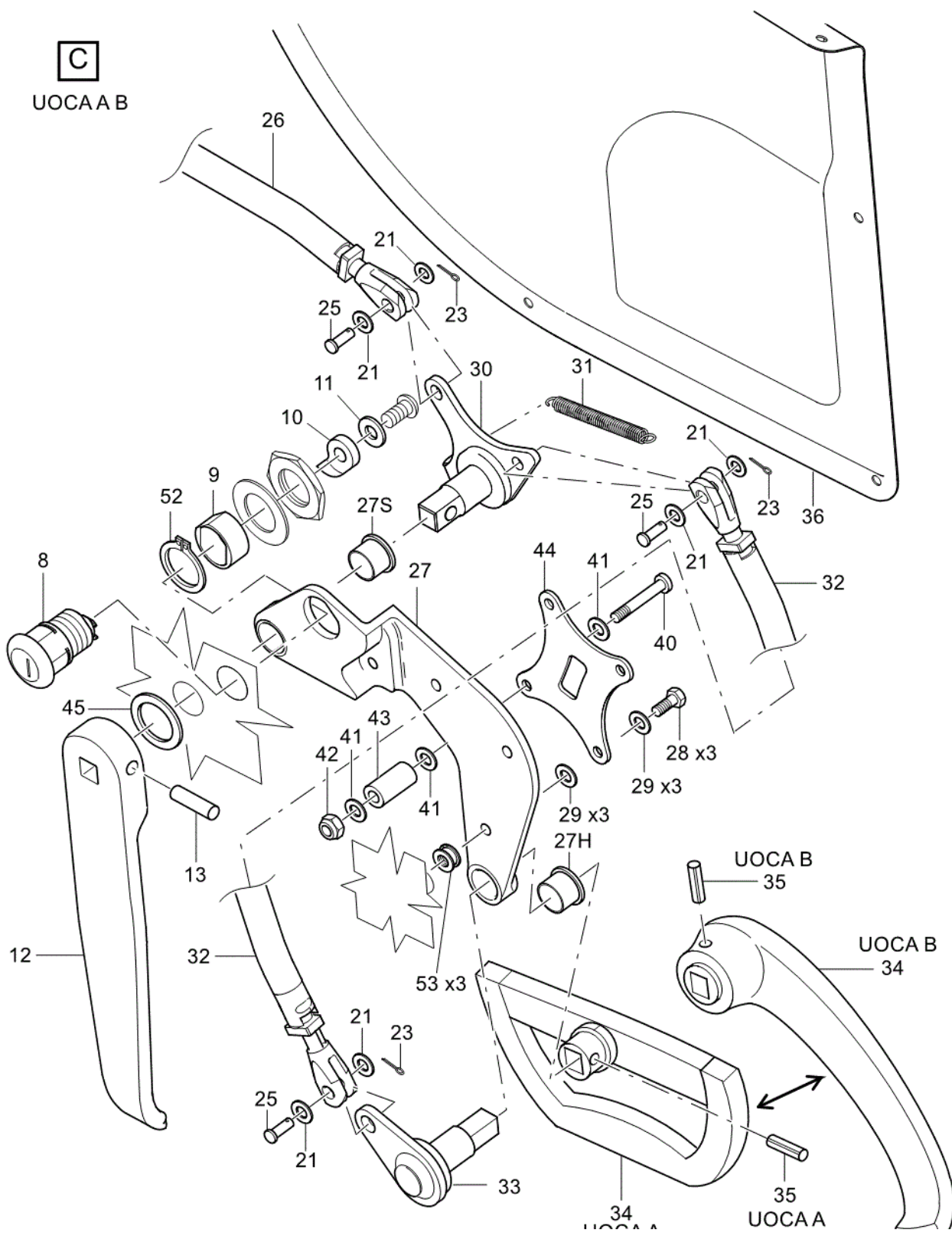
---





ICN-39-A-521101-G-00001-01800-A-005-01

*FIGURE 02 PILOT DOOR ASSY,RH (SHEET 1 OF 5)*

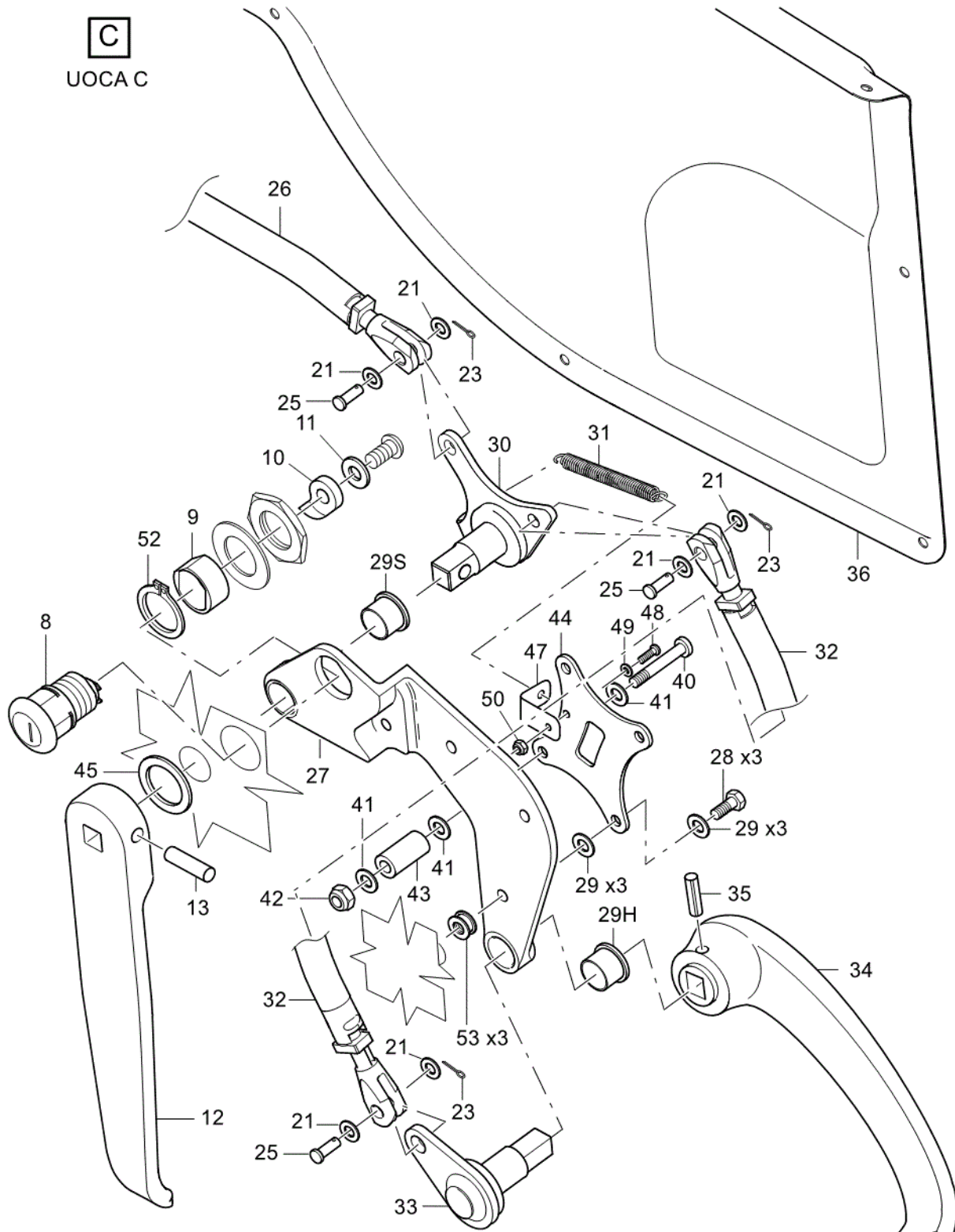


UUGAA



ICN-39-A-521101-G-00001-01801-A-008-01

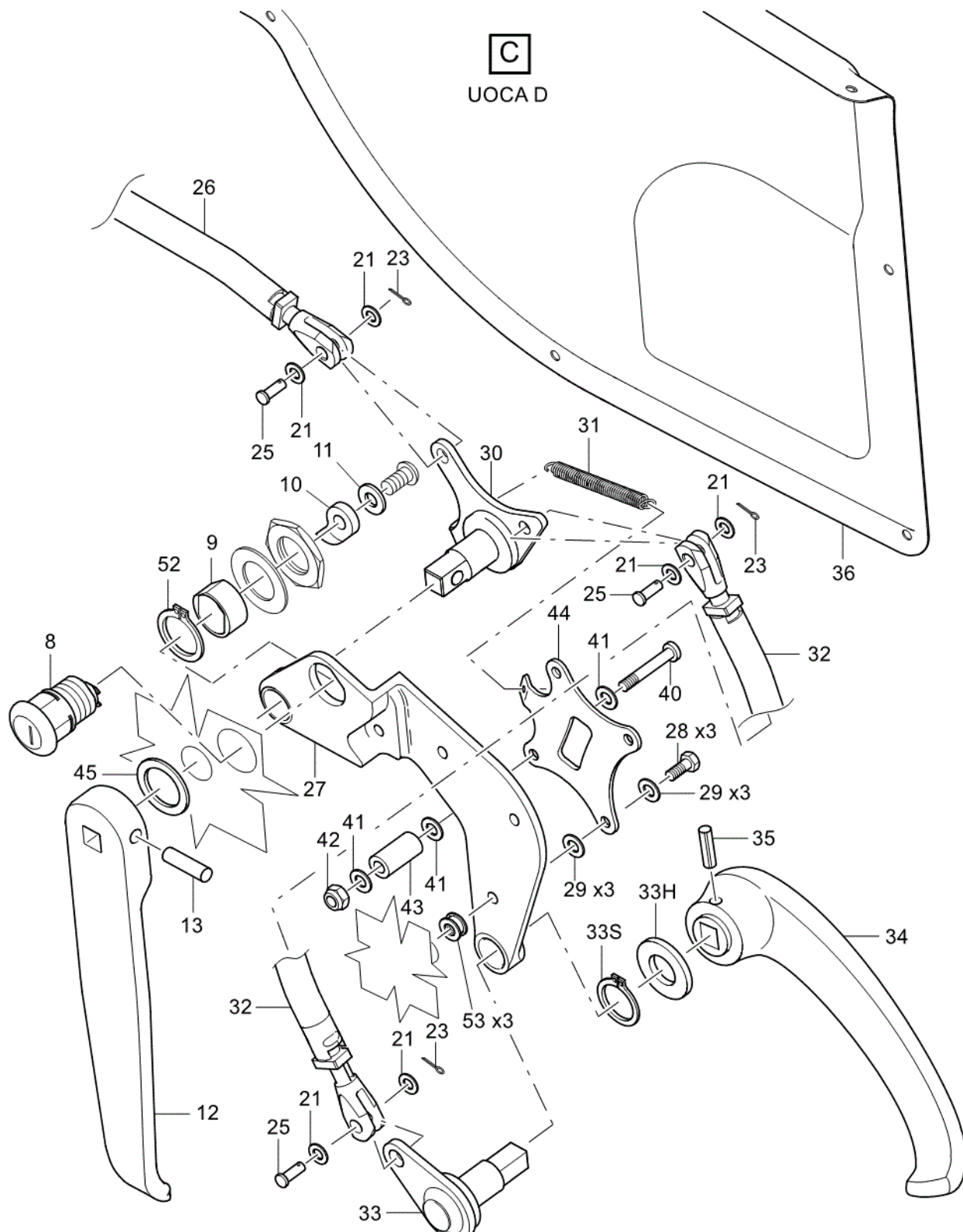
*FIGURE 02 PILOT DOOR ASSY,RH (SHEET 2 OF 5)*





ICN-39-A-521101-G-00001-14406-A-004-01

*FIGURE 02 PILOT DOOR ASSY,RH (SHEET 3 OF 5)*

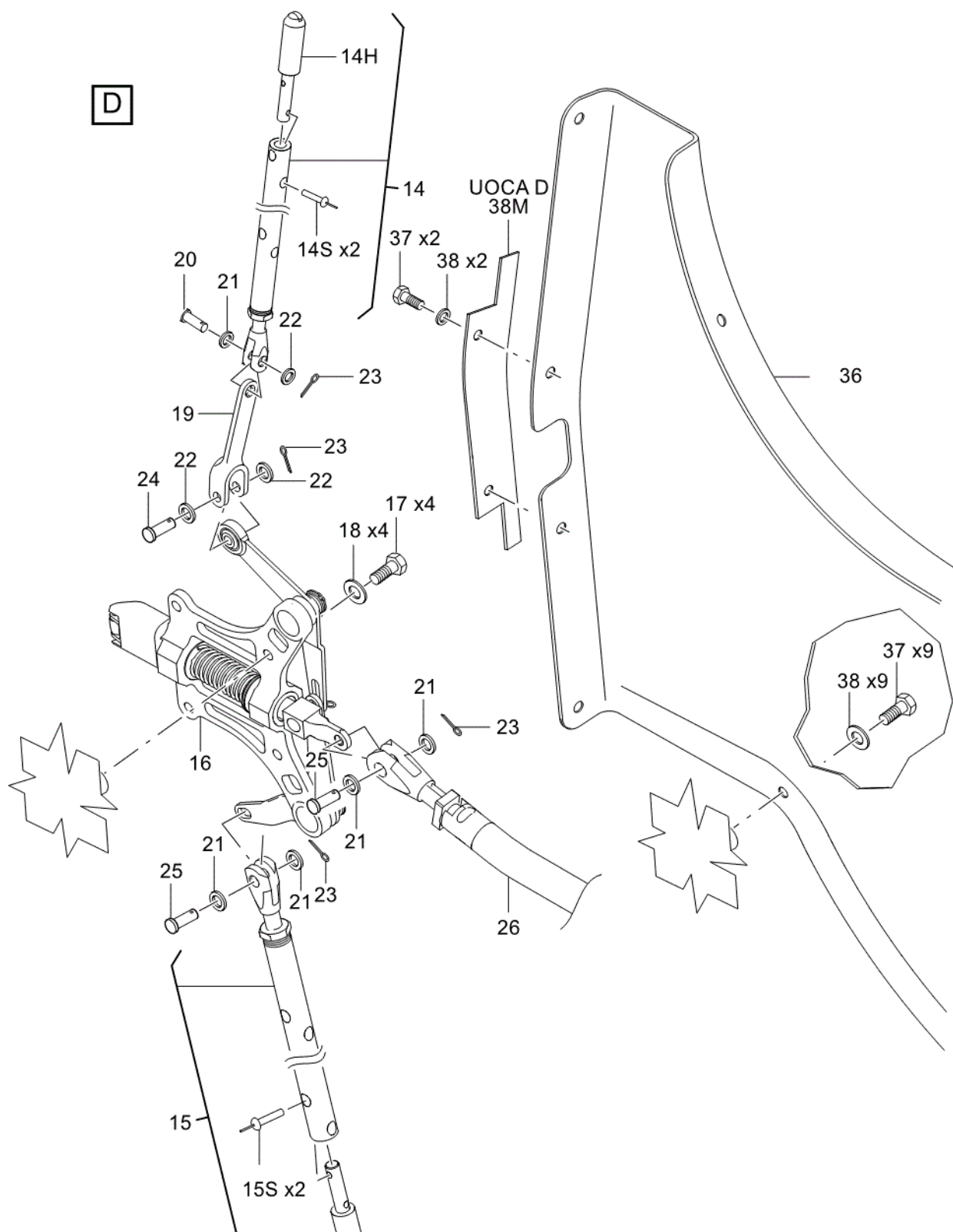


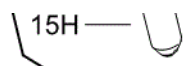


ICN-39-A-521101-G-00001-34936-A-001-01

*FIGURE 02 PILOT DOOR ASSY,RH (SHEET 4 OF 5)*







ICN-39-A-521101-G-00001-01802-A-004-01

*FIGURE 02 PILOT DOOR ASSY,RH (SHEET 5 OF 5)****Document status and identification***

<b>Document code</b>	39-A-52-11-01-020-941A-A
<b>Document title</b>	PILOT DOOR ASSY,RH - Illustrated Parts Data
<b>Issue number</b>	038
<b>Issue date</b>	2023-05-26
<b>Reason for update</b>	Changed - Technical change
<b>Quality assurance</b>	tabtop
<b>Effectivity</b>	ENH - PLUS - LN - SN