

### MLG LEFT SEGMENT - Illustrated Parts Data

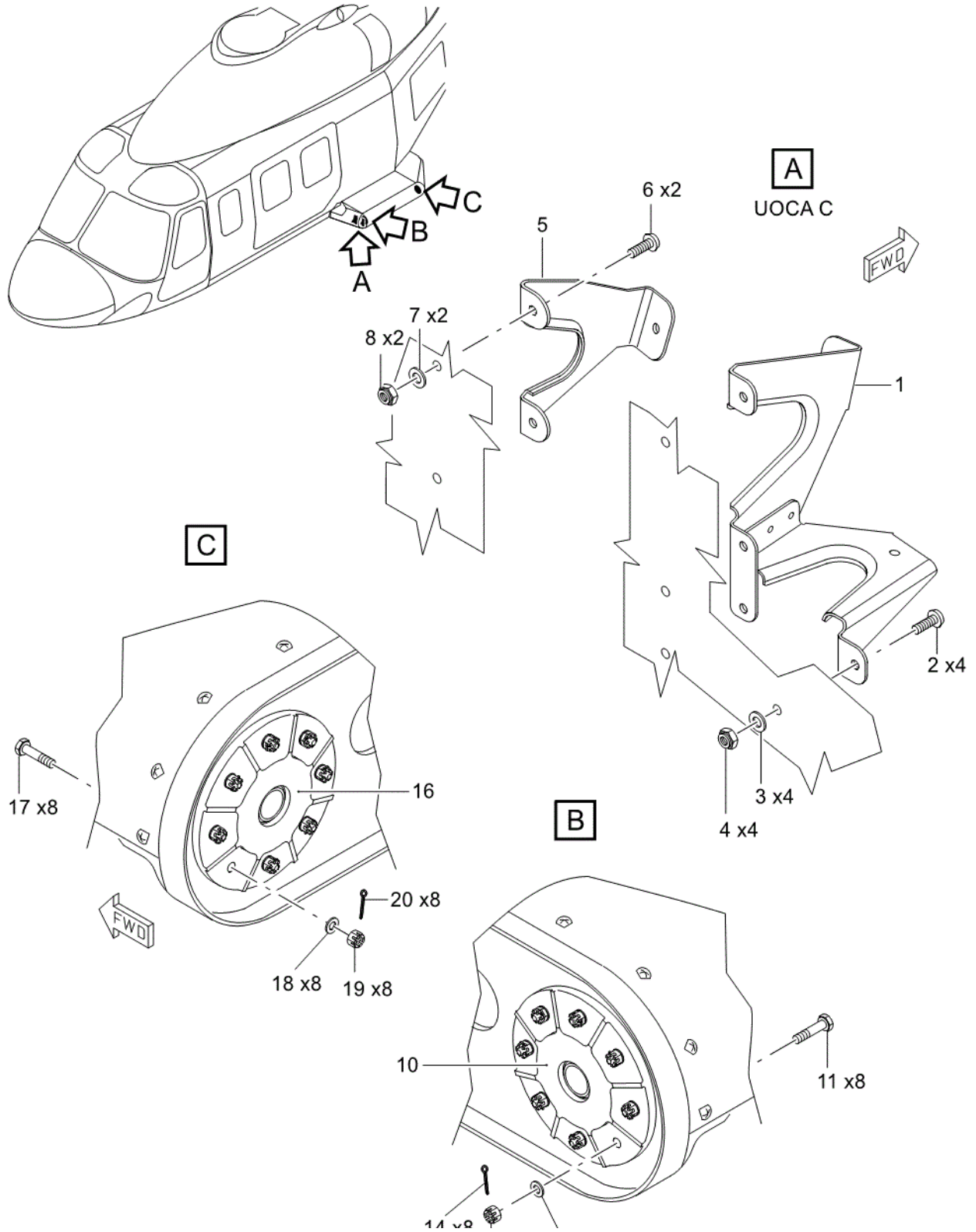
FIG ITEM	PART NUMBER..... NSN.....	DESCRIPTION 1 2 3 4 5 6 7 8 9	**UOCA..	I C Y	QNHA	SMR...
			MVEFFECT..		UI	
01						
- 0	3P5339A00331	MLG LEFT SEGMENT (NSCM A0126) (NOTE:FOR SPARE REPLACEMENT USE PNR 3P5339A00333A/Refer to 53-24-00 fig. 01 item 001 for NHA)	** A SN *2U		REF EA	XC
- 0	3P5339A00332	MLG LEFT SEGMENT (NSCM A0126) (NOTE:FOR SPARE REPLACEMENT USE PNR 3P5339A00333A/Refer to 53-24-00 fig. 01 item 001 for NHA)	** B SN *1R		REF EA	PBOOO
- 0	3P5339A00333	MLG LEFT SEGMENT (NSCM A0126) (NOTE:FOR SPARE REPLACEMENT USE PNR 3P5339A00333A/Refer to 53-24-00 fig. 01 item 001 for NHA)	** C EN *2H EP *2H LN *2H SN *2H		REF EA	PBOOO
- 0	3P5339A00334	MLG LEFT SEGMENT (NSCM A0126) (NOTE:FOR SPARE REPLACEMENT USE PNR 3P5339A00334A/Refer to 53-24-00 fig. 02 item 001 for NHA)	** D EN EP		REF EA	PBOOO
- 0	3P5339A00333A	MLG LEFT SEGMENT (NSCM A0126) (SPECIAL SPARE CONDITIONS/Refer to 53-24-00 fig. 01 item 001 for NHA)	** A EN EP LN SN		REF EA	PBOOO
- 0	3P5339A00333A	MLG LEFT SEGMENT (NSCM A0126) (SPECIAL SPARE CONDITIONS/Refer to 53-24-00 fig. 01 item 001 for NHA)	** B SN *1R		REF EA	PBOOO
- 0	3P5339A00333A	MLG LEFT SEGMENT (NSCM A0126) (SPECIAL SPARE CONDITIONS/Refer to 53-24-00 fig. 01 item 001 for NHA)	** C EN *2H EP *2H LN *2H SN *2H		REF EA	PBOOO
1	3P5315A07931	* SUPPORT ASSY,LH (NSCM A0126)	** --CD-- EN *2H EP *2H LN *2H SN *2H		0001 EA	PAOZZ
2	NAS6603-2	* BOLT,SHEAR (NSCM 80205)	** -C--- EN *2H EP *2H LN *2H SN *2H		0004 EA	PAOZZ
2	NAS6603-3	* BOLT,SHEAR (NSCM 80205)	** ---D-- EN EP		0004 EA	PAOZZ
3	NAS1149D0316K	* WASHER,FLAT (NSCM 80205)	** --CD-- EN *2H EP *2H LN *2H		0004 EA	PAOZZ

			SN *2H			
4	MS21042L3	* NUT,SELF-LOCKING,EXTENDED WASHER,HEXAGON (NSCM 80205) (To get this item refer to the approved manufacturer list only - Refer to: 39-A-00-00-00-00A-94BA-D)	** --CD-- EN *2H EP *2H LN *2H SN *2H	-3	0004 EA	PAOZZ
4	NAS9926-3L	* NUT,SELF-LOCKING,HEXAGON (NSCM 80205)	** --CD-- EN *2H EP *2H LN *2H SN *2H	5-	0004	PAOZZ
5	3P5315A08151	• SUPPORT,LH (NSCM A0126)	** --CD-- EN *2H EP *2H LN *2H SN *2H		0001 EA	PAOZZ
6	NAS6603-5	* BOLT,CLOSE TOLERANCE (NSCM 80205)	** --CD-- EN *2H EP *2H LN *2H SN *2H		0002 EA	PAOZZ
7	NAS1149D0316K	* WASHER,FLAT (NSCM 80205)	** --CD-- EN *2H EP *2H LN *2H SN *2H		0002 EA	PAOZZ
8	MS21042L3	* NUT,SELF-LOCKING,EXTENDED WASHER,HEXAGON (NSCM 80205) (To get this item refer to the approved manufacturer list only - Refer to: 39-A-00-00-00-00A-94BA-D)	** --CD-- EN *2H EP *2H LN *2H SN *2H	-3	0002 EA	PAOZZ
8	NAS9926-3L	* NUT,SELF-LOCKING,HEXAGON (NSCM 80205)	** --CD-- EN *2H EP *2H LN *2H SN *2H	5-	0002	PAOZZ
-9	3P5339A00531	• FWD LEFT BRACKET ASSY (NSCM A0126)	** A---- SN *2U		REF	XA
-9	3P5339A00532	• FWD LEFT BRACKET ASSY (NSCM A0126)	** -B---- SN *1R		REF	XA
-9	3P5339A00533	• FWD LEFT BRACKET ASSY (NSCM A0126) (NOTE:FOR SPARE REPLACEMENT USE PNR 3P5339A00333A)	** -C--- EN *2H EP *2H LN *2H SN *2H		REF	XA
-9	3P5339A00534	• FWD LEFT BRACKET ASSY (NSCM A0126)	** --D-- EP		REF	XA
10	3P5339A01031	• • SOCKET (NSCM A0126)	EN EP LN SN		0001 EA	PAOLD

11	NAS6604D10	* * BOLT (NSCM 80205)	EN EP LN SN	0008 EA	PAOZZ
12	NAS1149F0432P	* * WASHER,FLAT (NSCM 80205)	EN EP LN SN	0008 EA	PAOZZ
13	MS17825-4	* * NUT,SELF-LOCKING,SLOTTED,HEXAGON (NSCM 96906)	EN EP LN SN	0008 EA	PAOZZ
14	MS24665-134	* * PIN,COTTER (NSCM 96906)	EN EP LN SN	-1 0008 EA	PAOZZ
14	MS24665-136	* * PIN,COTTER (NSCM 80205)	EN EP LN SN	2- 0008 EA	PAOZZ
- 15	3P5339A00731	• AFT LEFT BRACKET ASSY (NSCM A0126)	** A---- SN *2U	REF	XA
- 15	3P5339A00733	• AFT LEFT BRACKET ASSY (NSCM A0126)	** _BC--- EN *2H EP *2H LN *2H SN *1R SN *2H	REF	XA
- 15	3P5339A00734	• AFT LEFT BRACKET ASSY (NSCM A0126)	** ---D-- EN EP	REF	XA
16	3P5339A01031	• • SOCKET (NSCM A0126)	EN EP LN SN	0001 EA	PAOLD
17	NAS6604D10	* * BOLT (NSCM 80205)	** ABC--- EN *2H EP *2H LN *2H SN *1R SN *2H SN *2U	0008 EA	PAOZZ
17	NAS6604D9	* * BOLT,SHEAR (NSCM 80205)	** ---D-- EN EP	0008 EA	PAOZZ
18	NAS1149F0432P	* * WASHER,FLAT (NSCM 80205)	EN EP	0008 EA	PAOZZ

19	MS17825-4	* * NUT,SELF-LOCKING,SLOTTED,HEXAGON (NSCM 96906)	LN SN	0008 EA	PAOZZ
20	MS24665-134	* * PIN,COTTER (NSCM 96906)	EN EP LN SN	-1 0008 EA	PAOZZ
20	MS24665-136	* * PIN,COTTER (NSCM 80205)	EN EP LN SN	2- 0008 EA	PAOZZ

---



IT 20 | 12 x8  
13 x8

ICN-39-A-532401-G-00001-06637-A-003-01

*FIGURE 01 MLG LEFT SEGMENT*

***Document status and identification***

<b>Document code</b>	39-A-53-24-01-010-941A-A
<b>Document title</b>	MLG LEFT SEGMENT - Illustrated Parts Data
<b>Issue number</b>	034
<b>Issue date</b>	2023-05-26
<b>Reason for update</b>	Changed - Technical change
<b>Quality assurance</b>	tabtop
<b>Effectivity</b>	ENH - PLUS - LN - SN