

PILOT DOOR ASSY,LH - Illustrated Parts Data

FIG ITEM	PART NUMBER..... NSN.....	DESCRIPTION 1 2 3 4 5 6 7 8 9	**UOCA.. MVEFFECT..	I C Y	QNHA UI	SMR...
01						
- 0	3P5211A00131	PILOT DOOR ASSY,LH (NSCM A0126) (MODIFIED BY PN 3G5206P01611 AND PN 3G5206P03511/Refer to 52-11-00 fig. 01 item 001 for NHA)	** A SN		REF EA	PAOFF
- 0	3P5211A00131	PILOT DOOR ASSY,LH (NSCM A0126) (MODIFIED BY PN 3G5206P01611 AND PN 3G5206P03511 AND PN 3G5206P05311/Refer to 52-11-00 fig. 01 item 001 for NHA)	** A LN *16Y		REF EA	PAOFF
- 0	3P5211A00132	PILOT DOOR ASSY,LH (NSCM A0126) (MODIFIED BY PN 3G5200A00111/Refer to 52-11-00 fig. 01 item 001 for NHA)	** B LN *16Z		REF EA	PAOFF
- 0	3P5211A00133	PILOT DOOR ASSY,LH (NSCM A0126) (MODIFIED BY PN 3G5200A00111/Refer to 52-11-00 fig. 01 item 001 for NHA)	** C EN		REF EA	PAOFF
- 0	3G5211A07731	PILOT DOOR ASSY,LH (NSCM A0126) (Refer to 52-11-00 fig. 01 item 001 for NHA)	** D EN		REF EA	PAOFF
1	3P5211A01131	• DOOR PANEL (NSCM A0126)	** AB---- LN SN		REF	XA
1	3P5211A01132	• DOOR PANEL (NSCM A0126)	** --C--- EN		REF	XA
1	3G5211A07931	• DOOR PANEL (NSCM A0126)	** ---D-- EN		REF	XA
2	3P5211A01332	• UPPER HINGE ASSY,LH (NSCM A0126)	EN EP LN SN		0001 EA	PAFZZ
3	MS24694-C52	* SCREW,MACHINE (NSCM 96906)	EN EP LN SN		0003 EA	PAFZZ
4	3P5211A01532	• LOWER HINGE ASSY,LH (NSCM A0126)	EN EP LN SN		0001 EA	PAFZZ
5	MS24694-C52	* SCREW,MACHINE (NSCM 96906)	EN EP LN SN		0003 EA	PAFZZ

- 6	DPN56001	• LEFT COCKPIT DOOR WINDOW INSTL (NSCM A0126) (Refer to 56-31-00 fig. 01 item 000 for BKDN)	** AB---- LN SN	REF	XC
- 6	DPN56022	• LEFT COCKPIT DOOR WINDOW INSTL (NSCM A0126) (Refer to 56-31-00 fig. 01M item 000 for BKDN)	** --C--- EN	REF	XC
- 6	DPN56033	• CABIN COMPARTMENT,KIT WINDOW DOUBLE LAYER PAX,DARK GRAY (NSCM A0126) (Refer to 56-31-00 fig. 01M item 000 for BKDN)	** ---D-- EN	REF	XC
- 7	DPN52007	• CYLINDER LOCK INSTL,PILOT DOOR,LH (NSCM A0126) (Refer to 53-10-02 fig. 01 item 001)	EN LN SN	REF	XC
8	3G5206P03131	• • REVOLVING LOCK AND KEY ASSY (NSCM A0126)	EN LN SN	0001 EA	PAOZZ
9	3G5206P01651	• • BUSHING (NSCM A0126)	EN LN SN	0001 EA	PAOZZ
10	3G5206P01652	• • LOCK (NSCM A0126)	EN LN SN	0001 EA	PAOZZ
11	NAS1149D0316K	• • WASHER,FLAT (NSCM 80205)	EN LN SN	0001 EA	PAOZZ
12	3P5211A11051	• HANDLE (NSCM A0126)	EN EP LN SN	0001 EA	PAOZZ
13	NAS607-2-8-5P	* PIN,STRAIGHT,HEADLESS (NSCM 80205) (PRE MOD.B.T.139-094)	** A----- LN *16Y SN	-3 0001 EA	PAOZZ
13	NAS561C4-16	* PIN,SPRING (NSCM 80205) (POST MOD.B.T.139-094)	** A----- LN *16Y SN	5- 0001 EA	PAOZZ
13	MS171534	* PIN,SPRING (NSCM 96906)	** -BCD-- EN LN *16Z	-1 0001 EA	PAOZZ
13	NAS561C4-16	* PIN,SPRING (NSCM 80205)	** -BCD-- EN LN *16Z	2- 0001 EA	PAOZZ
14	3P5211A04131	• UPPER BOLT (NSCM A0126)	EN EP LN SN	0001 EA	PAOOO
14H	3P5211A41751	• • BOLT END (NSCM A0126)		0001	PAOZZ

			EN EP LN SN	EA	
14S	MS20426AD4-16	• • RIVET,SOLID (NSCM 96906)		0002 EA	PAOZZ
			EN EP LN SN		
15	3P5211A04331	• LOWER BOLT (NSCM A0126)		0001 EA	PAOOO
			EN EP LN SN		
15H	3P5211A41751	• • BOLT END (NSCM A0126)		0001 EA	PAOZZ
			EN EP LN SN		
15S	MS20426AD4-16	• • RIVET,SOLID (NSCM 96906)		0002 EA	PAOZZ
			EN EP LN SN		
16	3P5211A04531	• MECHANISM ASSY,LH (NSCM A0126) (Refer to 52-11-02 fig. 01 item 000 for BKDN)		0001 EA	PAOFF
			EN EP LN SN		
17	NAS6603H2	* BOLT,SHEAR (NSCM 80205)		0004 EA	PAOZZ
			EN EP LN SN		
18	NAS1149D0316K	* WASHER,FLAT (NSCM 80205)		0004 EA	PAOZZ
			EN EP LN SN		
19	3P5211A40151	• LEVER (NSCM A0126)		0001 EA	PAOZZ
			EN EP LN SN		
20	MS20392-2C15	• PIN,STRAIGHT,HEADED (NSCM 96906)		0001 EA	PAOZZ
			EN EP LN SN		
21	NAS1149D0316K	• WASHER,FLAT (NSCM 80205)		0011 EA	PAOZZ
			EN EP LN SN		

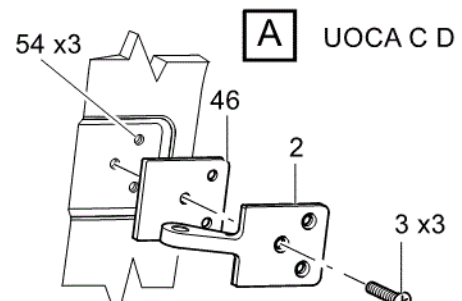
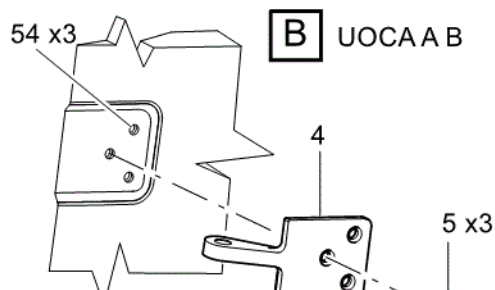
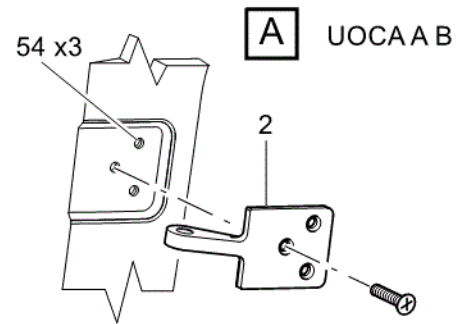
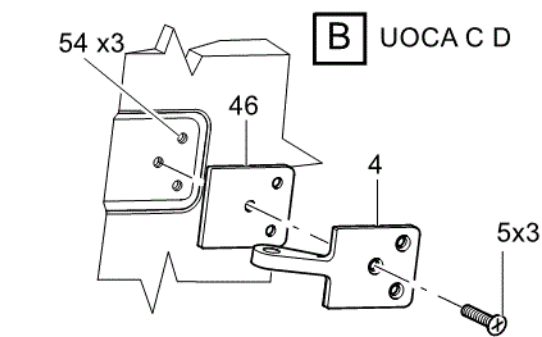
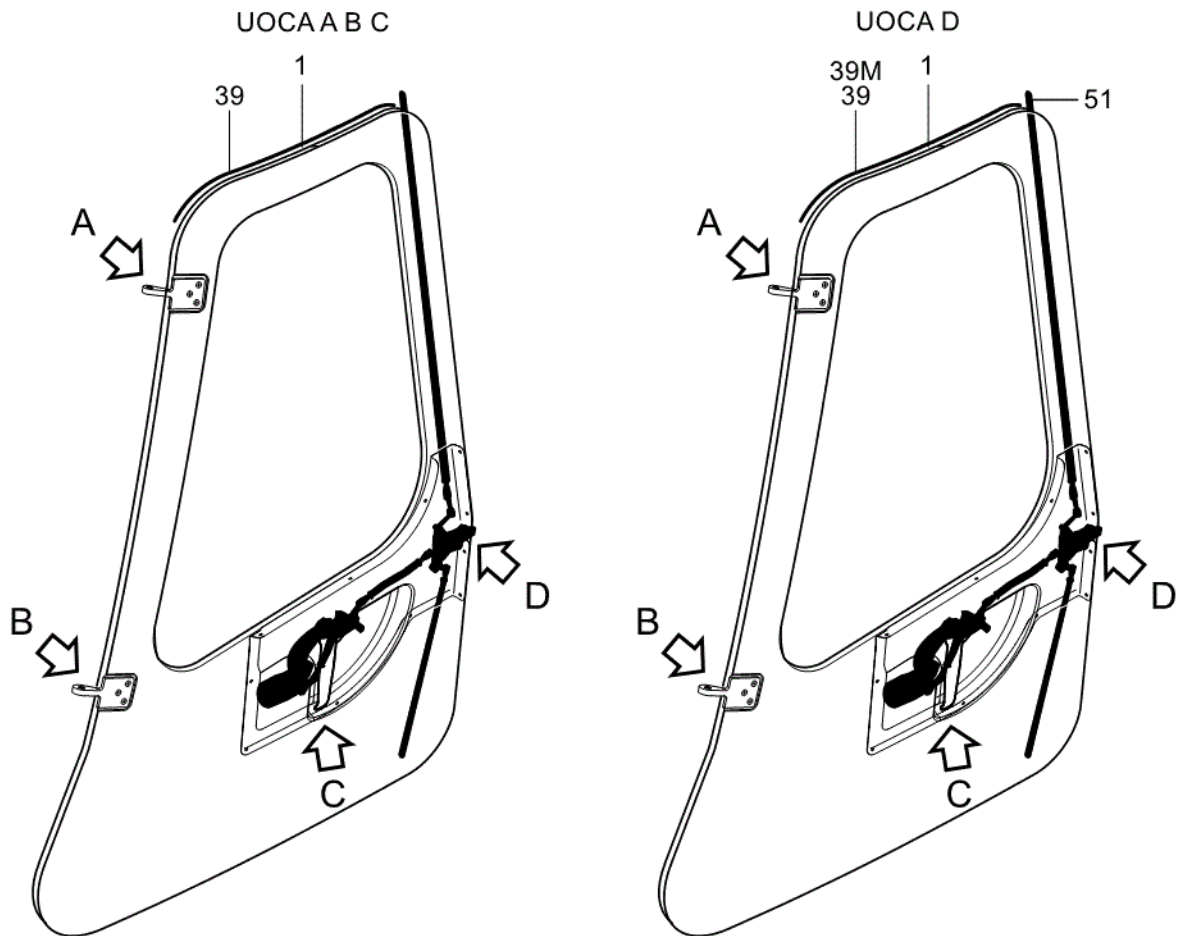
22	NAS1149D0332K	• WASHER,FLAT (NSCM 80205)	EN EP LN SN	0003 EA	PAOZZ
23	MS24665-132	• PIN,COTTER (NSCM 80205)	EN EP LN SN	0007 EA	PAOZZ
24	MS20392-2C21	• PIN,STRAIGHT,HEADED (NSCM 96906)	EN EP LN SN	0001 EA	PAOZZ
25	MS20392-2C13	• PIN,STRAIGHT,HEADED (NSCM 96906)	EN EP LN SN	0005 EA	PAOZZ
26	3P5211A03531	• ROD (NSCM A0126)	EN EP LN SN	0001 EA	PAFZZ
27	3P5211A02131	• BRACKET ASSY,LH (NSCM A0126)	EN EP LN SN	0001 EA	PAFFF
28	NAS6603H2	* BOLT,SHEAR (NSCM 80205)	EN EP LN SN	0003 EA	PAOZZ
29	NAS1149D0316K	* WASHER,FLAT (NSCM 80205)	EN EP LN SN	0006 EA	PAOZZ
29H	MTFR12-12	• • BEARING,SLEEVE FLANGED (NSCM K7067)	EN EP LN SN	0001 EA	PAFZZ
29S	MTFR10-12	• • BEARING,SLEEVE FLANGED (NSCM K7067)	EN EP LN SN	0001 EA	PAFZZ
30	3P5211A02531	• LEVER ASSY (NSCM A0126)	** AB--- LN SN	0001 EA	PAFZZ
30	3P5211A02532	• LEVER ASSY,LH (NSCM A0126)	** --CD--	0001	PAFZZ

			EN	EA	
31	3P5211A21352	• SPRING (NSCM A0126)		0001	PAOZZ
			EN EP LN SN		
32	3P5211A03931	• ROD (NSCM A0126)		0001 EA	PAFZZ
			EN EP LN SN		
33	3P5211A02732	• LEVER ASSY,LH (NSCM A0126)	** AB----	0001 EA	PAOZZ
			LN SN		
33	3P5211A02732	• LEVER ASSY,LH (NSCM A0126)	** --C---	-1 0001 EA	PAOZZ
			EN		
33	3G5211A03631	• LEVER ASSY,LH (NSCM A0126)	** --C---	2- 0001 EA	PAOZZ
			EN		
33	3G5211A03631	• LEVER ASSY,LH (NSCM A0126)	** ---D--	-1 0001 EA	PAOZZ
			EN		
33	3G5211A03632	• LEVER ASSY,LH (NSCM A0126)	** ---D--	2- 0001 EA	PAOZZ
			EN		
33H	NAS1149F0632P	• WASHER,FLAT (NSCM 80205)	** ---D--	0002 EA	PAOZZ
			EN		
33S	MS16624-1037	• RING,RETAINING,EXTERNAL (NSCM 96906)	** ---D--	0002 EA	PAOZZ
			EN		
34	H2305-5	• HANDLE,DOOR (NSCM 97499)	** A-----	-1 0001 EA	PAOZZ
			LN *16Y SN		
34	A257A001A	• HANDLE,DOOR (NSCM A0126)	** A-----	21 0001 EA	PAOZZ
			LN *16Y SN		
34	139P04763-51	• HANDLE,DOOR (NSCM A0126)	** A-----	2- 0001 EA	PAOZZ
			LN *16Y SN		
34	3P5211A47651	• HANDLE,DOOR (NSCM A0126)	** -B----	-1 0001 EA	PAOZZ
			LN *16Z		
34	139P04763-51	• HANDLE,DOOR (NSCM A0126)	** -B----	21 0001 EA	PAOZZ
			LN *16Z		
34	6A0301ID0291101T04	• HANDLE,DOOR,LH (NSCM A0126)	** -B----	2- 0001 EA	PAOZZ
			LN *16Z		
34	6A0301ID0291301T04	• HANDLE,DOOR,LH (NSCM A0126)	** --CD--	-1 0001 EA	PAOZZ
			EN		
34	6A0301ID0291101T04	• HANDLE,DOOR,LH (NSCM A0126)	** --CD--	2- 0001 EA	PAOZZ
			EN		
35	NAS607-2-4P	• PIN,STRAIGHT,HEADLESS (NSCM 80205)	** A-----	0001 EA	PAOZZ
			LN *16Y		

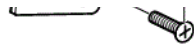
			SN		
35	NAS607-2-8-5P	• PIN,STRAIGHT,HEADLESS (NSCM 80205)	** -BC--- EN LN *16Z	0001 EA	PAOZZ
35	NAS561C4-20	• PIN,SPRING (NSCM 80205)	** ---D-- EN	0001	PAOZZ
36	3P5211A10551	• COVER (NSCM A0126)	** AB---- LN SN	0001 EA	PAOZZ
36	3P5211A10552	• COVER,LH (NSCM A0126)	** --C--- EN	0001 EA	PAOZZ
36	3P5211A10552	• COVER,LH (NSCM A0126)	** ---D-- EN	-1 0001 EA	PAOZZ
36	3G5211A09651	• COVER,LH (NSCM A0126)	** ---D-- EN	2- 0001 EA	PAOZZ
37	MS35207-259	* SCREW,MACHINE (NSCM 96906)	EN EP LN SN	0011 EA	PAOZZ
38	NAS1149D0316K	* WASHER,FLAT (NSCM 80205)	EN EP LN SN	0011 EA	PAOZZ
38M	3G5211A08451	• SEAL (NSCM A0126)	** ---D-- EN	0001 EA	PAOZZ
39	A146A1606CB500	• EXTRUSION,RUBBER,SILICONE (NSCM A0126) (Manufacture from 52-01-01 fig. 01 item 004)	** AB---- LN SN	-3 REF	MOOZZ
39	A146A1606CB	• EXTRUSION,RUBBER,SILICONE (NSCM A0126)	** AB---- LN SN	5- AR EA	PCOZZ
39	AW003MF001AB2830	• EXTRUSION,RUBBER,SILICONE (NSCM A0126) (Manufacture from 52-01-01 fig. 01 item 008)	** --C--- EN	REF	MOOZZ
39	AW003MF001AB1690	• EXTRUSION,RUBBER,SILICONE (NSCM A0126) (Manufacture from 52-01-01 fig. 01 item 008)	** ---D-- EN	REF	MOOZZ
39M	3G5211A01652	• LH SEAL RETAINER (NSCM A0126)	** ---D-- EN	0001 EA	PAOZZ
40	MS27039-1-18	• SCREW,MACHINE (NSCM 96906)	EN EP LN SN	0001 EA	PAOZZ
41	NAS1149C0316R	• WASHER,FLAT (NSCM 80205)	EN EP LN SN	0003 EA	PAOZZ

42	MS21042L3	• NUT,SELF-LOCKING,EXTENDED WASHER,HEXAGON (NSCM 80205) (To get this item refer to the approved manufacturer list only - Refer to: 39 -A-00-00-00-00A-94BA-D)	EN EP LN SN	-3	0001 EA	PAOZZ
42	NAS9926-3L	• NUT,SELF-LOCKING,HEXAGON (NSCM 80205)	EN EP LN SN	5-	0001	PAOZZ
43	NAS43HT3-48	• SPACER,SLEEVE (NSCM 80205)	EN EP LN SN		0001 EA	PAOZZ
44	3P5211A47551	• STOP SUPPORT (NSCM A0126)	** AB---- LN SN		0001 EA	PAOZZ
44	3G5211A03451	• STOP SUPPORT (NSCM A0126)	** --C--- EN		0001 EA	PAOZZ
44	3G5211A08751	• STOP SUPPORT (NSCM A0126)	** ---D-- EN		0001 EA	PAOZZ
45	3G5211A00451	• WASHER (NSCM A0126)	EN EP LN SN		0001 EA	PAOZZ
46	3P5211A47451	• SHIM (NSCM A0126)	** --CD-- EN		0002 EA	PAOZZ
47	AN743C12	• BRACKET,ANGLE (NSCM 88044)	** --C--- EN	-1	0001 EA	PAOZZ
47	AN743-C12	• BRACKET,ANGLE (NSCM 88044)	** --C--- EN	2-	0001 EA	PAOZZ
48	MS27039-1-06	• SCREW,MACHINE (NSCM 80205)	** --C--- EN		0001 EA	PAOZZ
49	NAS1149D0316K	• WASHER,FLAT (NSCM 80205)	** --C--- EN		0001 EA	PAOZZ
50	MS21042L3	• NUT,SELF-LOCKING,EXTENDED WASHER,HEXAGON (NSCM 80205) (To get this item refer to the approved manufacturer list only - Refer to: 39 -A-00-00-00-00A-94BA-D)	** --C--- EN	-3	0001 EA	PAOZZ
50	NAS9926-3L	• NUT,SELF-LOCKING,HEXAGON (NSCM 80205)	** --C--- EN	5-	0001	PAOZZ
51	3G5211A00252	• LH FLANGE (NSCM A0126)	** ---D-- EN		0001 EA	PAOZZ
52	MS16624-1087	• RING,RETAINING,EXTERNAL (NSCM 96906)	EN EP LN SN		0001 EA	PAOZZ

53	NAS1832-3-4	• INSERT,SCREW THREAD (NSCM 80205)	EN EP LN SN	0003 EA	PAOZZ
54	999-5000-30-116	• INSERT (NSCM A0126)	EN EP LN SN	-3 0006 EA	PAOZZ
54	AW007TE-30-116	• INSERT,SCREW-THREAD (NSCM A0126)	EN EP LN SN	5- 0006 EA	PAOZZ



V

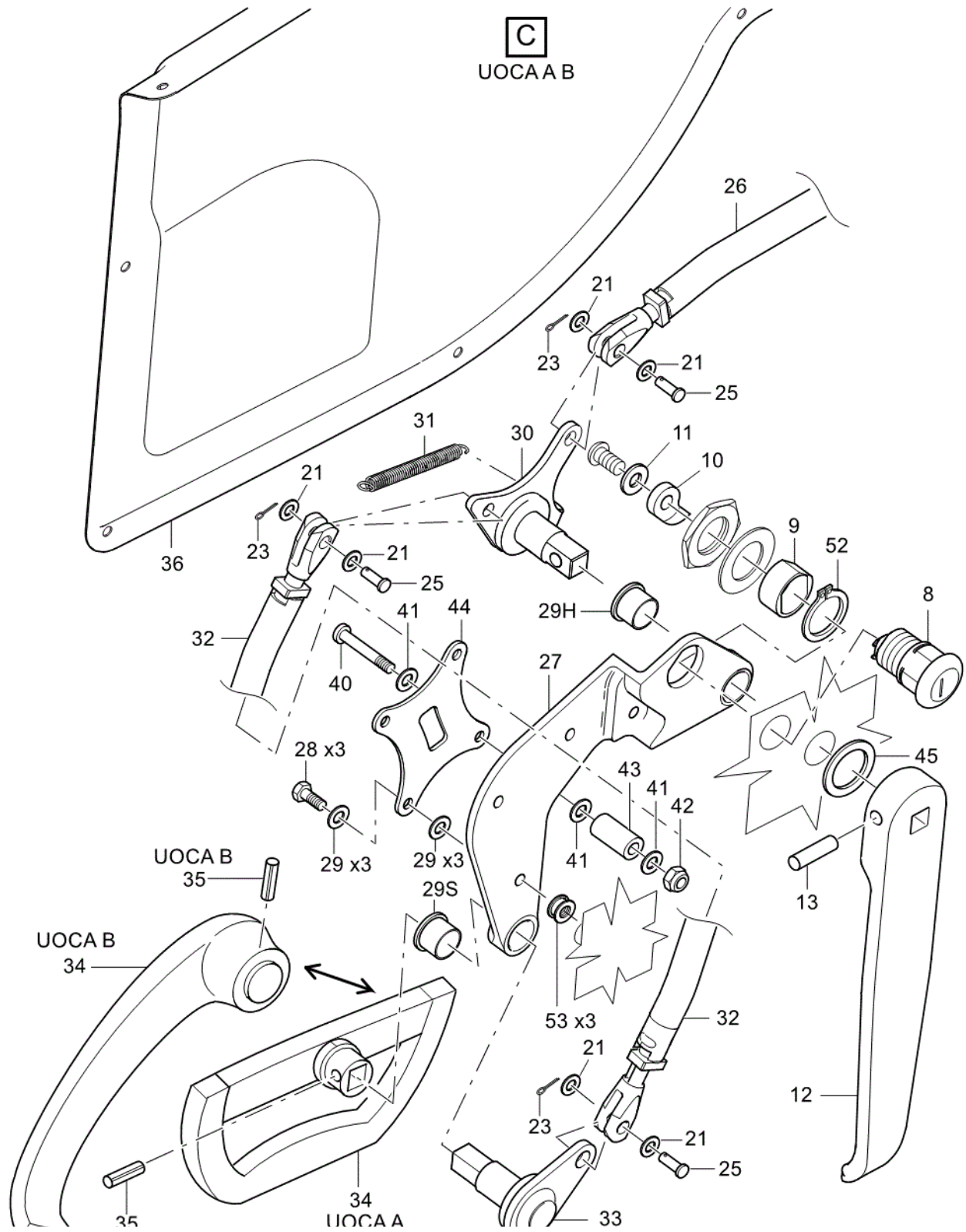


V



ICN-39-A-521101-G-00001-01397-A-004-01

FIGURE 01 PILOT DOOR ASSY,LH (SHEET 1 OF 5)

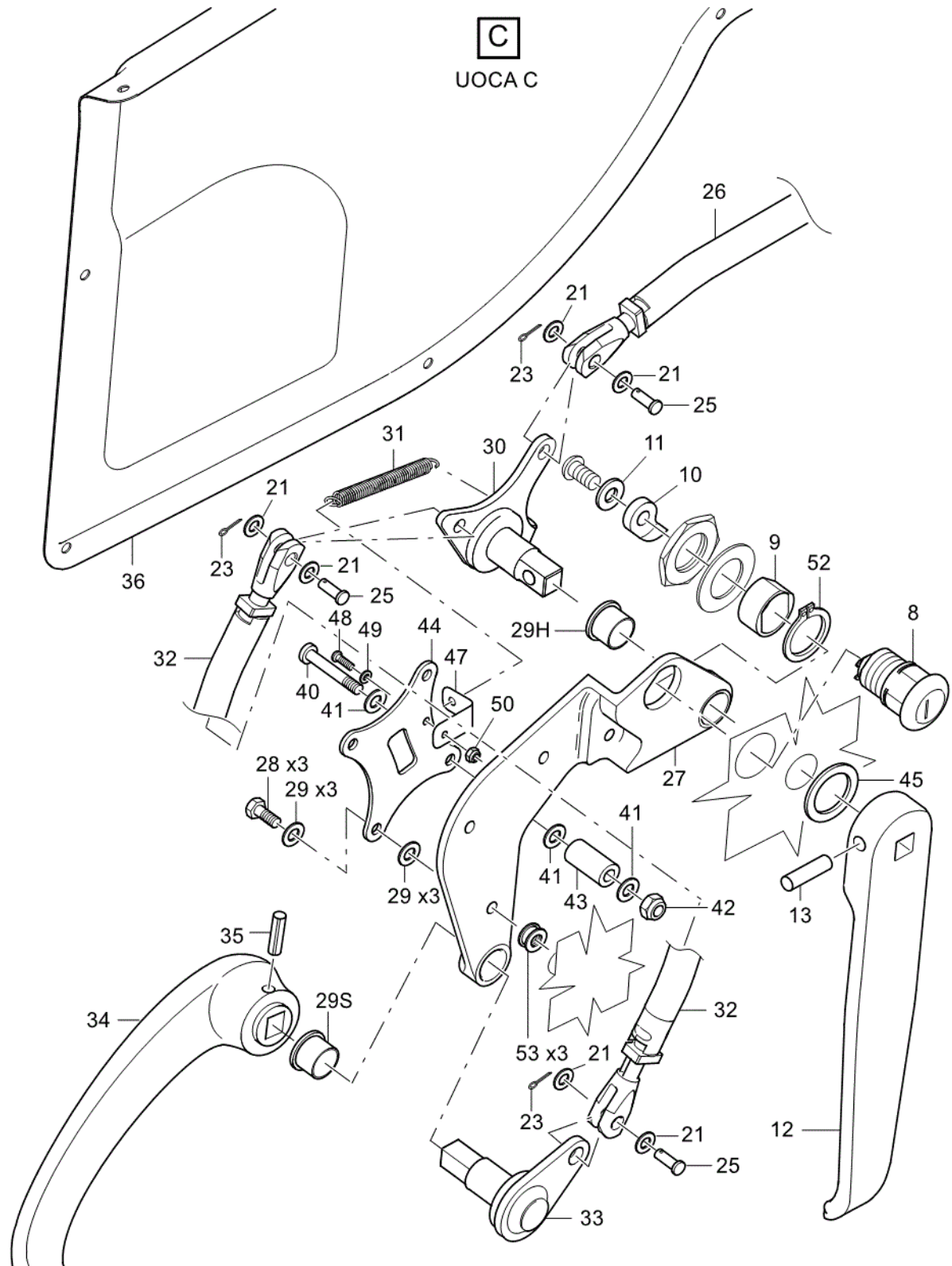


 UÖČAA



ICN-39-A-521101-G-00001-01398-A-009-01

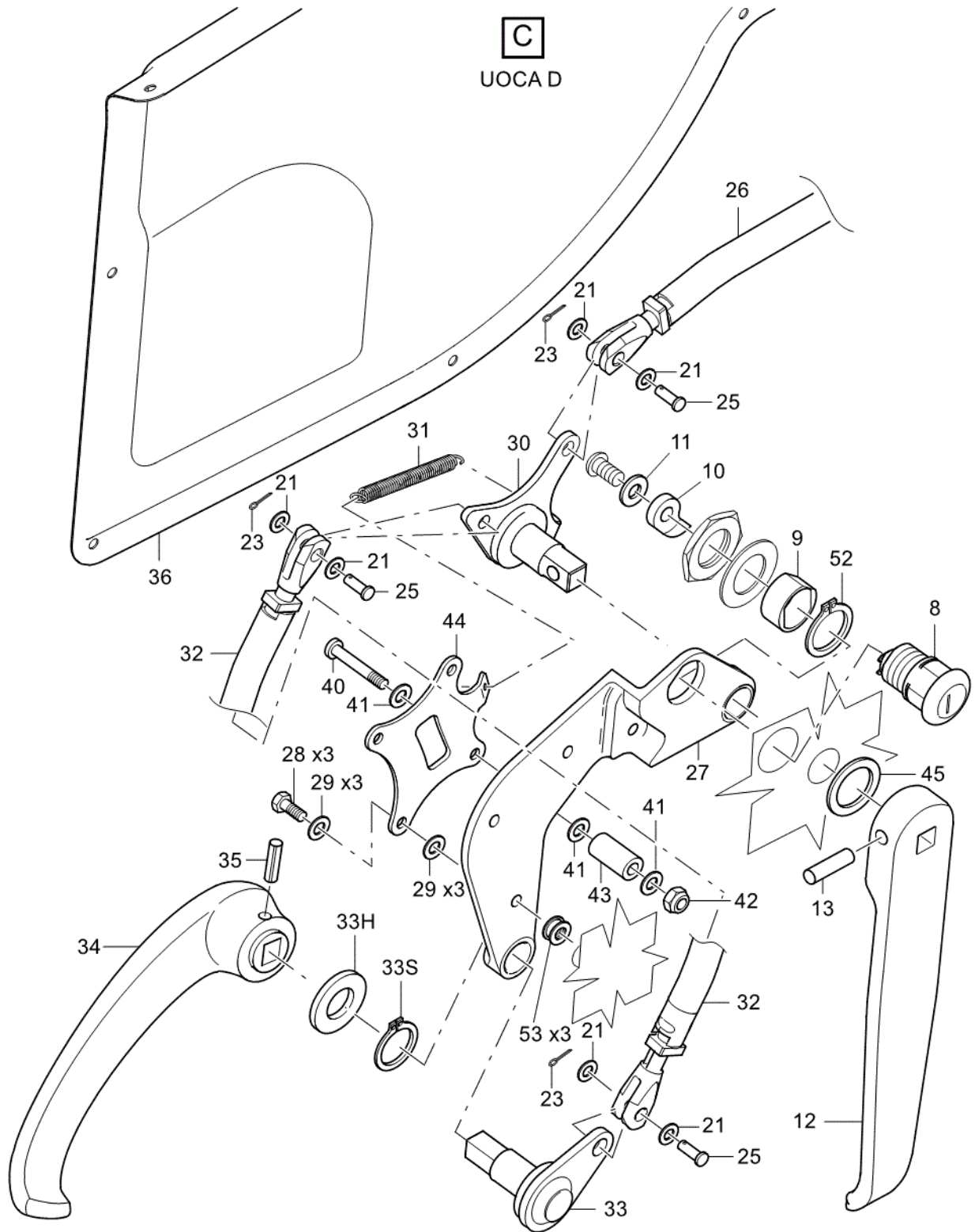
FIGURE 01 PILOT DOOR ASSY,LH (SHEET 2 OF 5)





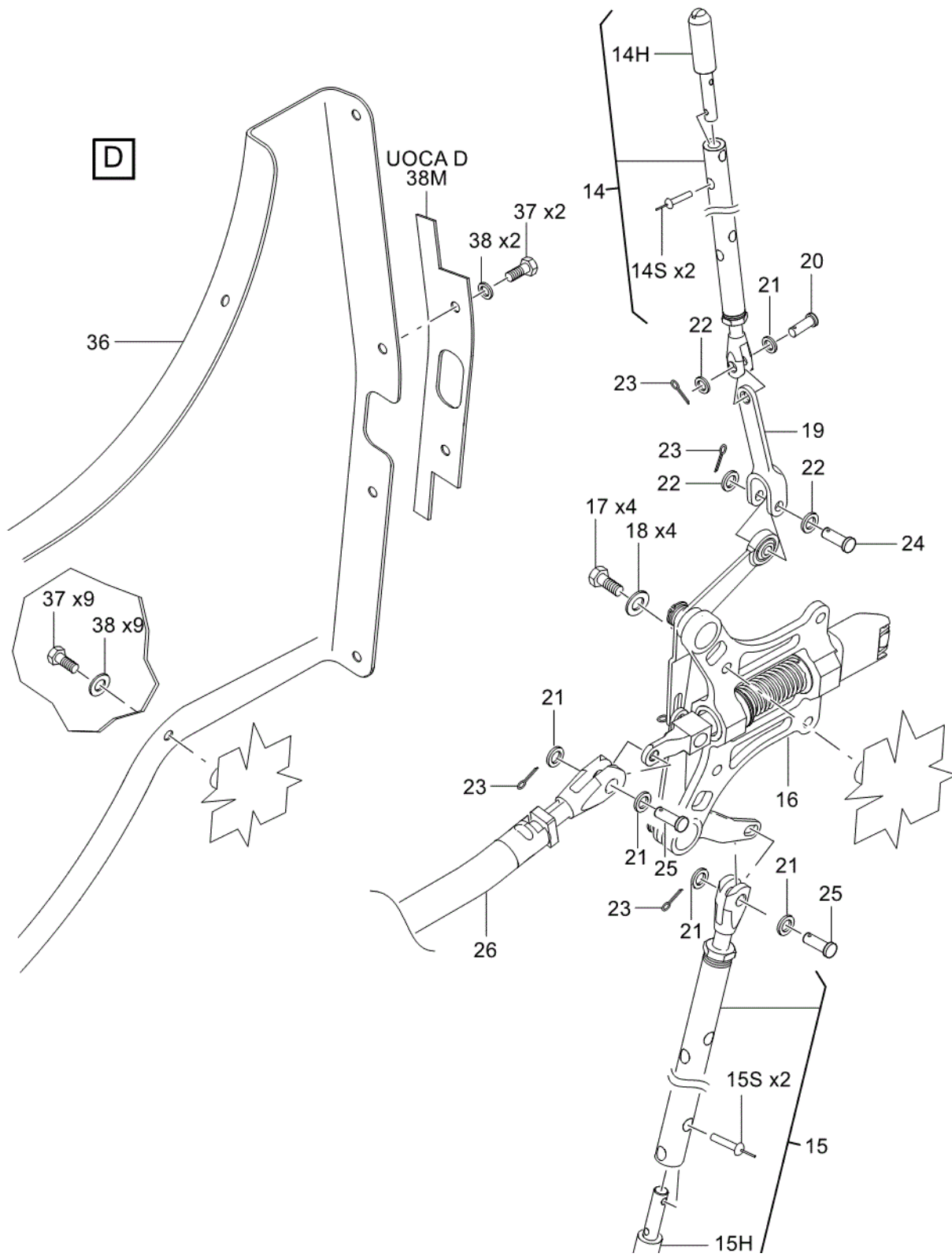
ICN-39-A-521101-G-00001-14405-A-005-01

FIGURE 01 PILOT DOOR ASSY,LH (SHEET 3 OF 5)



ICN-39-A-521101-G-00001-34931-A-001-01

FIGURE 01 PILOT DOOR ASSY,LH (SHEET 4 OF 5)





ICN-39-A-521101-G-00001-01399-A-004-01

*FIGURE 01 PILOT DOOR ASSY,LH (SHEET 5 OF 5)****Document status and identification***

Document code	39-A-52-11-01-010-941A-A
Document title	PILOT DOOR ASSY,LH - Illustrated Parts Data
Issue number	038
Issue date	2023-05-26
Reason for update	Changed - Technical change
Quality assurance	tabtop
Effectivity	ENH - PLUS - LN - SN