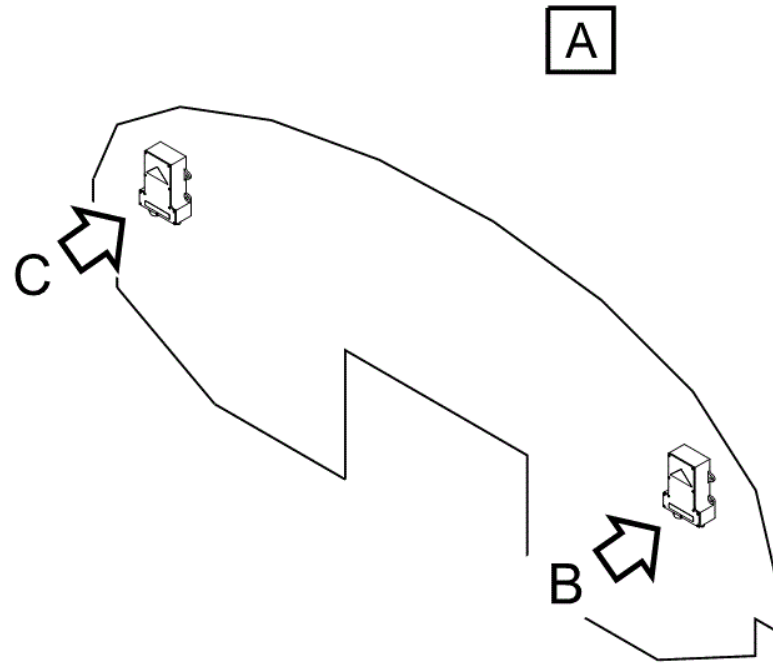
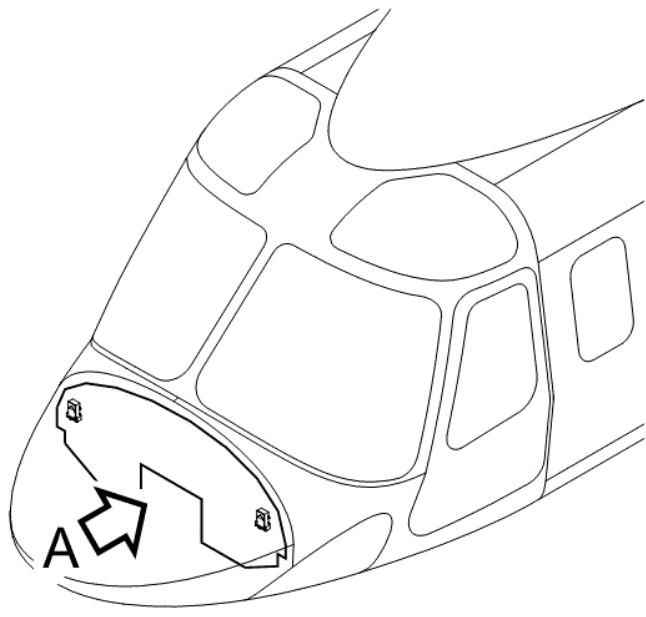


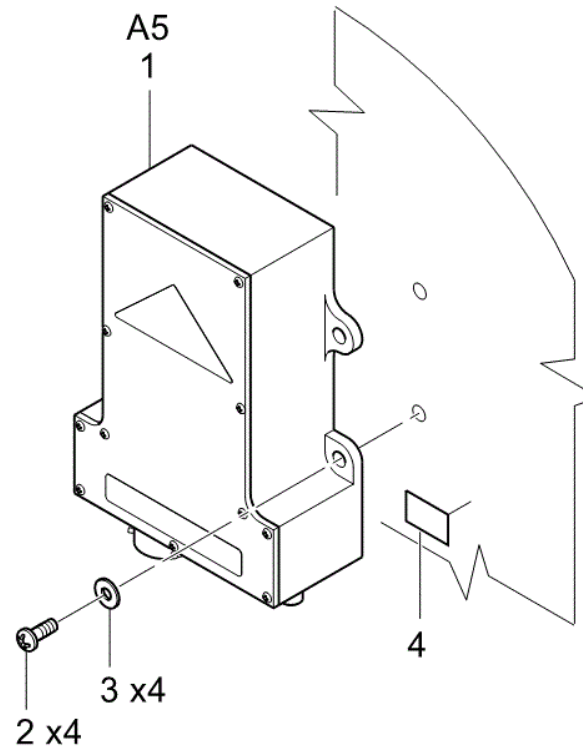
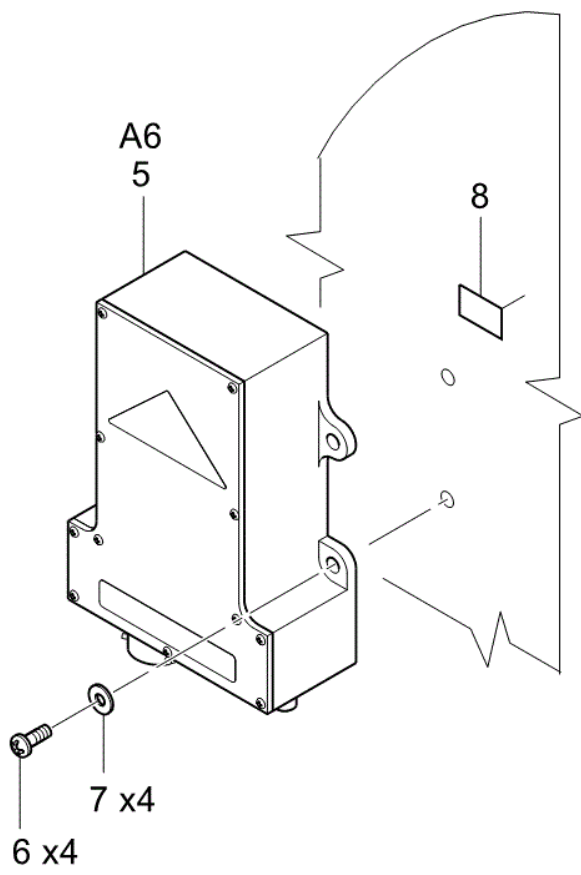
### AIR DATA MODULE INSTL - Illustrated Parts Data

FIG	PART NUMBER.....	DESCRIPTION	**UOCA..	I	QNHA		
ITEM	NSN.....	1 2 3 4 5 6 7 8 9	MVEFFECT..	C	UI	SMR...	
				Y			
01							
- 0	DPN34002	AIR DATA MODULE INSTL (NSCM A0126) (Refer to <a href="#">00-00-01 fig. 04 item 002 for NHA</a> )			REF	XC	
			EN				
			EP				
			LN				
			SN				
<a href="#">1</a>	HG1153CA01	· AIR DATA MODULE (NSCM 91929) (NUMBER 1) (RFD A5)			-4	0001 EA	PAOLD
			EN				
			EP				
			LN				
			SN				
<a href="#">1</a>	HG1153CA03	· AIR DATA MODULE (NSCM 91929) (NUMBER 1 - APPLICABLE ONLY IF SOFTWARE REL. 4.8 OR SUBS. IS INSTALLED) (RFD A5)			4-	0001 EA	PAOLD
			EN				
			EP				
			LN				
			SN				
<a href="#">2</a>	AN4-4A	* BOLT,MACHINE (NSCM 88044)			0004	PAOZZ	
			EN		EA		
			EP				
			LN				
			SN				
<a href="#">3</a>	NAS1149D0432J	* WASHER,FLAT (NSCM 80205)			0004	PAOZZ	
			EN		EA		
			EP				
			LN				
			SN				
<a href="#">4</a>	ED300A5	· DECAL (NSCM U7941)			0001	PAOZZ	
			EN		EA		
			EP				
			LN				
			SN				
<a href="#">5</a>	HG1153CA01	· AIR DATA MODULE (NSCM 91929) (NUMBER 2) (RFD A6)			-4	0001 EA	PAOLD
			EN				
			EP				
			LN				
			SN				
<a href="#">5</a>	HG1153CA03	· AIR DATA MODULE (NSCM 91929) (NUMBER 2 - APPLICABLE ONLY IF SOFTWARE REL. 4.8 OR SUBS. IS INSTALLED) (RFD A6)			4-	0001 EA	PAOLD
			EN				
			EP				
			LN				
			SN				
<a href="#">6</a>	AN4-4A	* BOLT,MACHINE (NSCM 88044)			0004	PAOZZ	
			EN		EA		
			EP				
			LN				
			SN				
<a href="#">7</a>	NAS1149D0432J	* WASHER,FLAT (NSCM 80205)			0004	PAOZZ	
			EN		EA		
			EP				
			LN				
			SN				
<a href="#">8</a>	ED300A6	· DECAL (NSCM U7941)			0001	PAOZZ	
			EN		EA		
			EP				
			LN				
			SN				



C

B



ICN-39-A-341500-G-00001-01287-A-001-01

FIGURE 01 AIR DATA MODULE INSTL

## Document Status and Identification

**Document Code:** 39-A-34-15-00-010-941A-A  
**Document Title:** AIR DATA MODULE INSTL - Illustrated Parts Data  
**Issue Number:** 028  
**Issue Date:** 2018-06-05  
**RFU:**  
**QA:** tabtop  
**Effectivity:** ENH - PLUS - LN - SN

---

MFC	Manufacturer name and address
90813	INTERNATIONAL STEEL EQUIPMENT CO, INTERNATIONAL STEEL EQUIPMENT CO, UNITED STATES
90906	ANSONIA MILLS INC, ANSONIA MILLS INC, UNITED STATES
91349	MISSOURI BRUSH AND CRAYON CO, MISSOURI BRUSH AND CRAYON CO, UNITED STATES
91422	FORMSPRAG LLC, FORMSPRAG LLC, 23601 HOOVER RD, WARREN, UNITED STATES
91836	WINCHESTER INTERCONNECT CORPORATION, WINCHESTER INTERCONNECT CORPORATION, 68 WATER ST, NORWALK, UNITED STATES
91893	MSP AVIATION, INC., MSP AVIATION, INC., 239 W GRIMES LN, BLOOMINGTON, UNITED STATES
91906	MCGEE AND HOGAN MACHINE WORKS, MCGEE AND HOGAN MACHINE WORKS, UNITED STATES
91929	HONEYWELL INTERNATIONAL INC., HONEYWELL INTERNATIONAL INC., 315 E STEPHENSON ST, FREEPORT, UNITED STATES
92215	HOWMET GLOBAL FASTENING SYSTEMS INC, HOWMET GLOBAL FASTENING SYSTEMS INC, 3000 W LOMITA BLVD, TORRANCE, UNITED STATES
92219	TATTNALL, COUNTY OF, TATTNALL, COUNTY OF, 1 COURTHOUSE SQ, REIDSVILLE, UNITED STATES
92555	LEE COMPANY, THE, LEE COMPANY, THE, 2 PETTIPAUG RD, WESTBROOK, UNITED STATES
92830	BARNES GROUP INC., BARNES GROUP INC., 18 MAIN ST, BRISTOL, UNITED STATES
93907	TEXTRON FASTENING SYSTEMS, TEXTRON FASTENING SYSTEMS, 1304 KERR DRIVE, DECORAH, UNITED STATES
94330	JSN INC, JSN INC, 611 SAINT CHARLES RD, MAYWOOD, UNITED STATES
94580	HONEYWELL INTERNATIONAL INC., HONEYWELL INTERNATIONAL INC., 2600 RIDGWAY PKWY, MINNEAPOLIS, UNITED STATES
94697	MOOG INC., MOOG INC., 400 JAMISON RD, ELMA, UNITED STATES
94970	DUKANE SEACOM INC, DUKANE SEACOM INC, 7135 16TH ST E, SARASOTA, UNITED STATES
95270	SKURKA AEROSPACE INC., SKURKA AEROSPACE INC., 4600 CALLE BOLERO, CAMARILLO, UNITED STATES
95760	PROTECTIVE CLOSURES CO INC, PROTECTIVE CLOSURES CO INC, UNITED STATES
96124	TRANSDIGM INC, TRANSDIGM INC, 313 GILLETT ST, PAINESVILLE, UNITED STATES
96182	SAFRAN ELECTRONICS & DEFENSE, AVIONICS U, SAFRAN ELECTRONICS & DEFENSE, AVIONICS U, 3184 PULLMAN ST, COSTA MESA, UNITED STATES
96906	MILITARY STANDARDS PROMULGATED BY MILITA, MILITARY STANDARDS PROMULGATED BY MILITA, ADDRESS UNKNOWN, FORT BELVOIR, UNITED STATES
97393	SPS TECHNOLOGIES LLC, SPS TECHNOLOGIES LLC, 2541 WHITE RD, IRVINE, UNITED STATES
97484	EATON AEROSPACE LLC, EATON AEROSPACE LLC, 24 E GLENOLDEN AVE, GLENOLDEN, UNITED STATES
97499	BELL TEXTRON INC., BELL TEXTRON INC., 3255 BELL FLIGHT BLVD, FORT WORTH, UNITED STATES
97896	HONEYWELL INTERNATIONAL INC., HONEYWELL INTERNATIONAL INC., 15001 NE 36TH ST, REDMOND, UNITED STATES
98087	ITT AEROSPACE CONTROLS LLC, ITT AEROSPACE CONTROLS LLC, 28150 INDUSTRY DR, VALENCIA, UNITED STATES
98441	PARKER HANNIFIN CORP, PARKER HANNIFIN CORP, 220 ROBERTS CUT OFF RD, FORT WORTH, UNITED STATES
99017	CAPLUGS LLC, CAPLUGS LLC, 2150 ELMWOOD AVE, BUFFALO, UNITED STATES
99321	PARKER-HANNIFIN CORP, PARKER-HANNIFIN CORP, 3580 SHAW BLVD, NAPLES, UNITED STATES
99551	GOODRICH CORPORATION, GOODRICH CORPORATION, 104 OTIS ST, ROME, UNITED STATES
99564	AMETEK, INC., AMETEK, INC., 17032 ARMSTRONG AVE, IRVINE, UNITED STATES
99837	GABLES ENGINEERING INC, GABLES ENGINEERING INC, 247 GRECO AVE, UNITED STATES
99866	HONEYWELL INTERNATIONAL INC., HONEYWELL INTERNATIONAL INC., 23500 W 105TH ST, OLATHE, UNITED STATES
99932	MOOG INC., MOOG INC., 1213 N MAIN ST, BLACKSBURG, UNITED STATES

---