

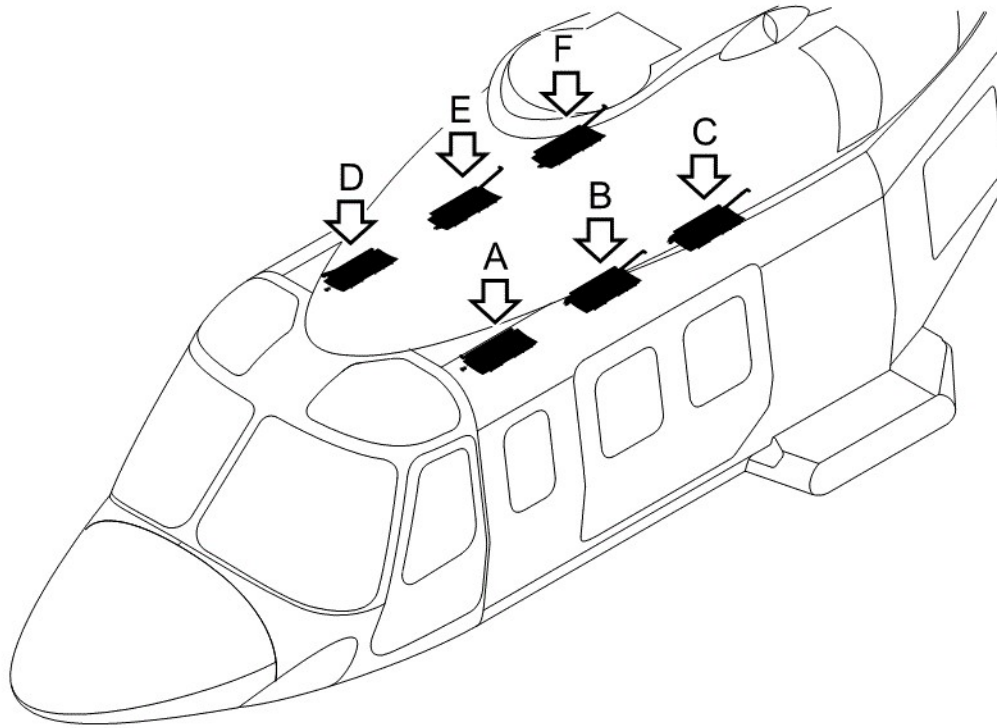
## PASSENGER SERVICE UNIT INSTL - Illustrated Parts Data

FIG ITEM	PART NUMBER..... NSN.....	DESCRIPTION 1 2 3 4 5 6 7 8 9	**UOCA..	I C Y	QNHA UI	SMR...
			MVEFFECT..			
02						
- 0	DPN33049	PASSENGER SERVICE UNITS INSTL (NSCM A0126) (Refer to 00-00-01 fig. 05 item 011B for NHA)	** A EP *18C		REF	XC
- 0	DPN33055	PASSENGER SERVICE UNITS INSTL (NSCM A0126) (MODIFIED BY PSU INSTL VARIANT P/N 3G0630P14111/Refer to 00-00-01 fig. 05 item 011B for NHA)	** B EP *18C EP *18Z		REF	XC
1	3G3320V01451	• PASSENGERS SERVICE UNIT (NSCM A0126) (RFD DS12) (RFD DS13) (RFD DS14) (RFD DS15) (RFD DS16) (RFD DS17)	** A----- EP *18C		0006 EA	PAOLD
1	3G3320V01452	• PASSENGERS SERVICE UNIT (NSCM A0126) (RFD DS12) (RFD DS13) (RFD DS14) (RFD DS15) (RFD DS16) (RFD DS17)	** -B----- EP *18C EP *18Z		0006 EA	PAOLD
2	AN525-832R9	* SCREW,MACHINE (NSCM 88044)	EP *18C EP *18Z		0060 EA	PAOZZ
3	AP10583200A	* SHIM (NSCM A0126)	EP *18C EP *18Z		0060 EA	PAOZZ
4	ED300DS13	• DECAL (NSCM U7941)	EP *18C EP *18Z		0001 EA	PAOZZ
5	ED300DS13J1	• DECAL (NSCM U7941)	EP *18C EP *18Z		0001 EA	PAOZZ
6	ED300DS15	• PLATE,DESIGNATION (NSCM U7941)	EP *18C EP *18Z		0001 EA	PAOZZ
7	ED300DS15J1	• DECAL (NSCM U7941)	EP *18C EP *18Z		0001 EA	PAOZZ
8	ED300DS17	• PLATE,DESIGNATION (NSCM U7941)	EP *18C EP *18Z		0001 EA	PAOZZ
9	ED300DS17J1	• DECAL (NSCM U7941)	EP *18C EP *18Z		0001 EA	PAOZZ
10	ED300DS12	• DECAL (NSCM U7941)	EP *18C EP *18Z		0001 EA	PAOZZ
11	ED300DS12J1	• DECAL (NSCM U7941)	EP *18C EP *18Z		0001 EA	PAOZZ
12	ED300DS14	• PLATE,DESIGNATION (NSCM U7941)	EP *18C EP *18Z		0001 EA	PAOZZ

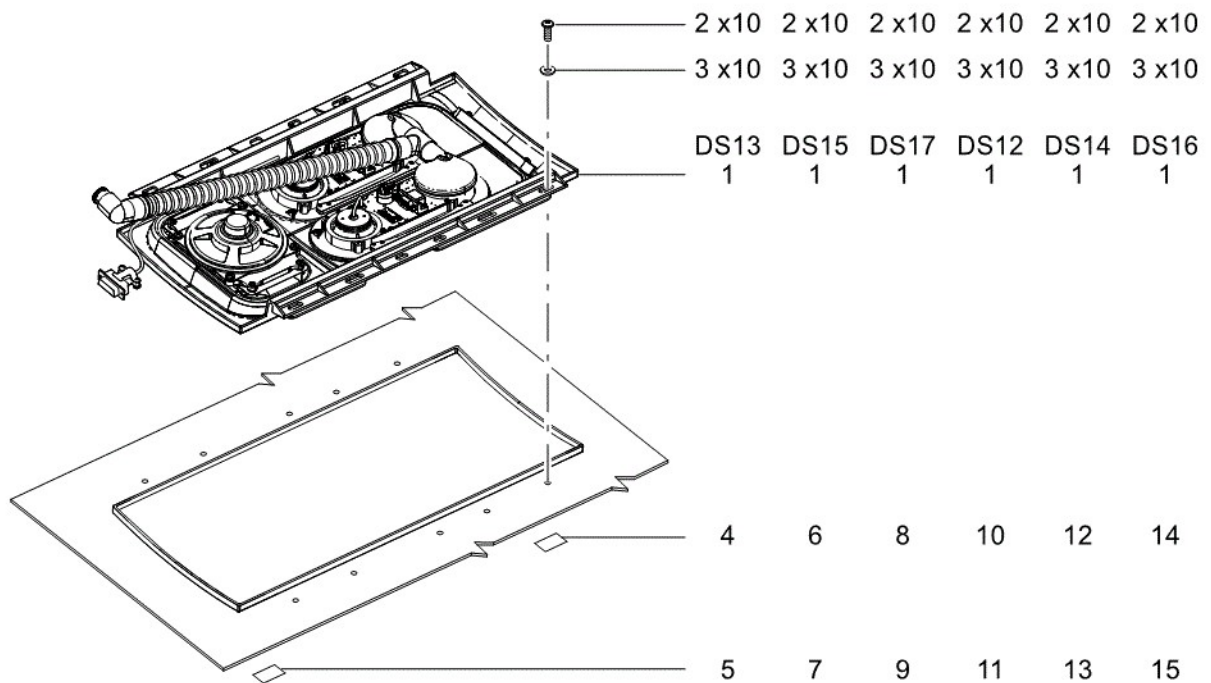
---

13	ED300DS14J1	• DECAL (NSCM U7941)	EP *18C EP *18Z	0001 EA	PAOZZ
14	ED300DS16	• DECAL (NSCM U7941)	EP *18C EP *18Z	0001 EA	PAOZZ
15	ED300DS16J1	• DECAL (NSCM U7941)	EP *18C EP *18Z	0001 EA	PAOZZ

---



**A** **B** **C** **D** **E** **F**



ICN-39-A-252900-G-00001-23546-A-001-01

FIGURE 02 PASSENGER SERVICE UNIT INSTL

***Document status and identification***

<b>Document code</b>	39-A-25-29-00-020-941A-A
<b>Document title</b>	PASSENGER SERVICE UNIT INSTL - Illustrated Parts Data
<b>Issue number</b>	003
<b>Issue date</b>	2018-09-19
<b>Reason for update</b>	Totally revised
<b>Quality assurance</b>	tabtop
<b>Effectivity</b>	<b>PLUS</b>