

PRATT & WHITNEY CANADA
SERVICE BULLETIN

P&WC S.B. No. 41124R1

BULLETIN INDEX LOCATOR
72-50-01

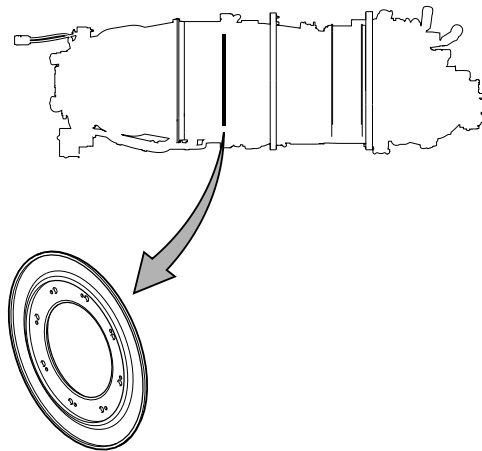
TURBOSHAFT ENGINE
AIR-SEAL COMPRESSOR-TURBINE STATOR - REPLACEMENT OF

MODEL APPLICATION

PT6C-67C, PT6C-67C1

Compliance: CATEGORY 7

Summary: There is a requirement to add serialization for the Compressor Turbine (CT) stator air seal. For traceability purposes, replace the CT stator air seal with one that have a serialization requirement.



Jan 19/2024
Revision No. 1: Apr 15/2024

PT6C-72-41124
Cover Sheet

24-Hour Global Service

CFIRST CENTRE

Toll free where available (SIL GEN-027)

USA & CANADA..... 1-800-268-8000

International (IAC*)+8000-268-8000

* International Access Code

Other 1-450-647-8000

Fax 1-450-647-2888

Web Site www.pwc.ca

WARNING - PROPRIETARY RIGHTS & EXPORT CONTROLS NOTICE

This bulletin contains proprietary information of Pratt & Whitney Canada Corp. ("P&WC"), which P&WC provides in confidence and solely for the purposes of supporting engine certification and providing applicable information regarding the proper use, maintenance, inspection, repair, servicing and parts application of P&WC products and services, as directed therein. Neither this bulletin nor any information in it may be disclosed to others, or used for any other purpose, including, without limitation, to design, create, develop, reproduce, manufacture or derive any design, part, product, material, process, modification, configuration change or repair, or obtain FAA or other government approval to do so. Possession and use of this bulletin is also subject to the restrictions set out in P&WC's Technical Data Agreement (a copy of which may be obtained by contacting P&WC Technical Publications). The contents of this bulletin may be subject to export control laws. Unauthorized export or re-export of the bulletin, or parts thereof, is prohibited. By accepting and possessing this bulletin, you agree to be bound by the foregoing terms.

If a Government agency or department intends to disclose any information, written notice should be given to:

VP - Legal Services, Pratt & Whitney Canada Corp., 1000 Marie-Victorin (01BE5), Longueuil, Quebec J4G 1A1.



Apr 15/2024

P&WC S.B. No. 41124R1

REVISION TRANSMITTAL SHEET
TURBOSHAFT ENGINE MODEL PT6C

SUBJECT: Pratt & Whitney Canada Service Bulletin No. PT6C-72-41124, Rev. No. 1 dated Apr 15/2024 (P&WC S.B. No. 41124R1) AIR-SEAL COMPRESSOR-TURBINE STATOR - REPLACEMENT OF

Replace your existing copy of this service bulletin with the attached revised bulletin. Destroy the superseded copy.

Please retain this Revision Transmittal Sheet with the revised bulletin.

SUMMARY:

This revision is issued to:

- update the engine serial numbers in Para. 1.A., Effectivity.

NOTE: Only changes to the technical content have a black bar in the margin.

EFFECT OF REVISION ON PRIOR ACCOMPLISHMENT:

None.

REVISION HISTORY:

Original Issue: Jan 19/2024

Revision No. 1: Apr 15/2024

PRATT & WHITNEY CANADA
SERVICE BULLETIN

P&WC S.B. No. 41124R1

TURBOSHAFT ENGINE
AIR-SEAL COMPRESSOR-TURBINE STATOR - REPLACEMENT OF

1. Planning Information

A. Effectivity

PT6C-67C (BS963, BS1019) Engines which are before and include Serial No. PCE-KB2855.

PT6C-67C1 (BS1447, BS1448) Engines which are before and include Serial No. PCE-KM0006.

NOTE: The above effectivity list does not identify engines that have been converted from one engine model to another via an engine conversion service bulletin. To clarify the effectivity of converted engines, refer to the original engine effectivity above. For the parts embodied during the engine conversion, refer to conversion service bulletin.

B. Concurrent Requirements

None.

C. Reason

(1) Problem

There is a requirement to add serialization for the CT stator air seal.

(2) Cause

This requirement was not required at the initial release of this component.

(3) Solution

For traceability purposes, replace the CT stator air seal with one that has a serialization requirement.

D. Description

Replace the CT air seal with a new one.

E. Compliance

CATEGORY 7 - You can do this service bulletin when the supply of superseded parts is fully used.

F. Approval

The technical content of this document is approved under the authority of the Transport Canada Civil Aviation (TCCA) Design Approval Organization No: DAO #93-Q-01.

P&WC No. CO-0015205, ETI-0083506

Jan 19/2024

Revision No. 1: Apr 15/2024

P&WC Proprietary Information. Subject to the restrictions on the back of the locator

© 2024 Pratt & Whitney Canada Corp.

PRINTED IN CANADA

PT6C-72-41124

Page 1 of 4

PRATT & WHITNEY CANADA
SERVICE BULLETIN

P&WC S.B. No. 41124R1

TURBOSHAFT ENGINE
AIR-SEAL COMPRESSOR-TURBINE STATOR - REPLACEMENT OF

1. Planning Information (Cont'd)

G. Manpower

Once you have access to the part, an estimate of 1.5 man-hours is required to include this service bulletin at repair.

No more man-hours are necessary to include this service bulletin at overhaul.

H. Weight and Balance

None.

I. Electrical Load Data

Not applicable.

J. Software Accomplishment Summary

Not applicable.

K. References

Illustrated Parts Catalog P/N [3045334](#) (PT6C-67C/C1)

Maintenance Manual P/N [3045332](#) (PT6C-67C/C1)

Overhaul Manual P/N [3045333](#) (PT6C-67C/C1)

L. Publications Affected

Illustrated Parts Catalog P/N [3045334](#) (PT6C-67C/C1)

Cleaning Inspection Repair Manual (CIR) P/N [3075447](#)

M. Interchangeability and Intermixability of Parts

Interchangeability - Refer to Para. 2.C.

Intermixability - Not changed.

2. Material Information

A. Industry Support Information

Not applicable.

PRATT & WHITNEY CANADA SERVICE BULLETIN

P&WC S.B. No. 41124R1

TURBOSHAFT ENGINE AIR-SEAL COMPRESSOR-TURBINE STATOR - REPLACEMENT OF

2. Material Information (Cont'd)

B. Material - Price and Availability

You can get the procurable parts listed in Para. 2.C. from any Pratt & Whitney Canada Parts Distribution Center.

The estimated total cost of new parts needed to replace old parts is Quote (US, 2024).

The new parts are available.

C. Material Necessary for Each Engine

The quantity of materials listed in this section is on a per engine basis.

<u>New P/N</u>	<u>Keyword</u>	<u>Old P/N</u>	<u>Qty</u>	<u>Est. Unit List Price (\$US, 2024)</u>	<u>Instructions Dispositions</u>
3137740	Compressor-Stator, Air-Seal	3071842-01	1	Quote	(A)(B)

(A) TWO WAY INTERCHANGEABLE - (ATA 200 Explanation Code 02): The old or the new part can replace the old or the new part.

(B) Discard the part if it is unserviceable.

D. Reidentified Parts

None.

E. Tooling - Price and Availability

Not Applicable

3. Accomplishment Instructions

A. Remove the CT Stator Air-seal P/N 3071842-01, in accordance with the maintenance or overhaul manual instructions as follows:

Ref. MM 72-50-01.

Ref. OHM 72-50-01.

B. Install the new CT Stator Air-seal P/N 3137740, in accordance with the maintenance or overhaul manual instructions as follows:

Ref. MM 72-50-01.

Ref. OHM 72-50-01.

C. Write the accomplishment of P&WC S.B. No. 41124 in the applicable engine module log book.

PRATT & WHITNEY CANADA
SERVICE BULLETIN

P&WC S.B. No. 41124R1

TURBOSHAFT ENGINE
AIR-SEAL COMPRESSOR-TURBINE STATOR - REPLACEMENT OF

4. Appendix

Not Applicable