



CT7-2E INCREMENTAL CHANGE

Release Notification Date: 09/14/2022

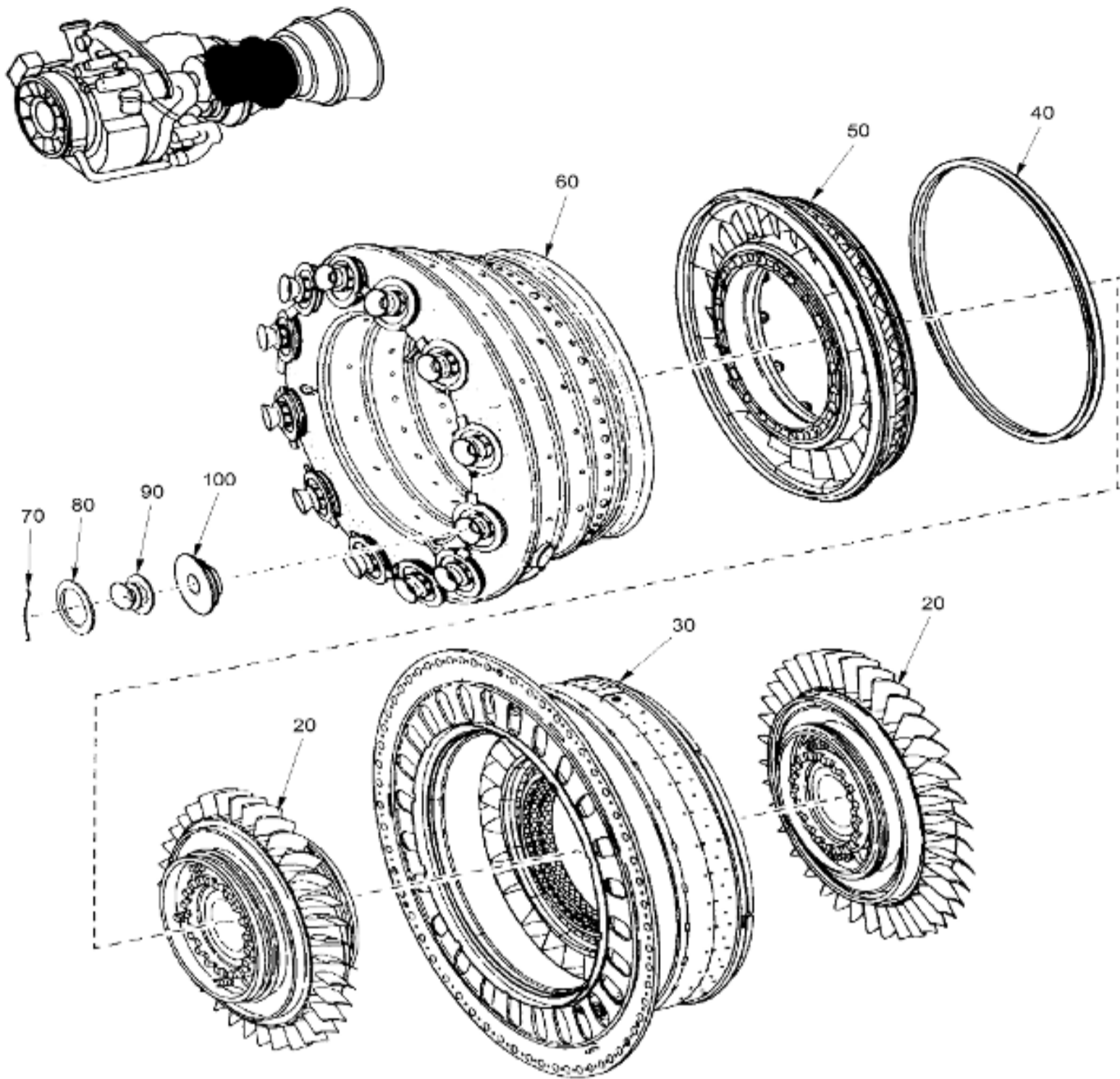
IPC 72-40-00 FIG. 01 HOT SECTION MODULE

GE Designated: -CONFIDENTIAL-

The information contained in this document is GE proprietary information and is disclosed in confidence. It is the property of GE and shall not be used, disclosed to others or reproduced without the express written consent of GE, including, but without limitation, it is not to be used in the creation, manufacture, development, or derivation of any repairs, modifications, spare parts, designs, or configuration changes or to obtain FAA or any other government or regulatory approval to do so. If consent is given for reproduction in whole or in part, this notice and the notice set forth on each page of this document shall appear in any such reproduction in whole or part.

This technical data is considered subject to the Export Administration Regulations (EAR) pursuant to 15 CFR Parts 730-774. Transfer of this data by any means to a Non-U.S. Person, whether in the United States or abroad, without the proper U.S. Government authorization (e.g., License, exemption, NLR, etc.), is strictly prohibited.

Copyright (2022) General Electric Company, U.S.A.



1300030-00

HOT SECTION MODULE
Figure 01

ITEM	PART NUMBER	NOMENCLATURE	USAGE CODE	UNITS PER ASSY
-001	NHA	HOT SECTION MODULE SIN 11900 SEE 72-00-00-01-060 FOR NHA		RF
-010	5176T38G01	. MATCHED ASSEMBLY-HIGH PRESSURE TURBINE (SPAD) POST SB 72-0003		AR
020	6068T58G48	. ROTOR ASSY-STAGES 1 AND 2 LOW-STRESS GAS GENERATOR TURBINE SIN 15000 SEE 72-41-00-01 FOR DET		1
030	6082T16G50	. STATOR ASSY-GAS GENERATOR SIN 17000 SEE 72-42-00-01 FOR DET		1
040	4068T87P04	. SEAL-FACE TYPE SIN 17001		1
050	6071T04G32	. NOZZLE ASSY-STAGE 1 SIN 17200 SEE 72-43-00-01 FOR DET		1

060	6080T13G08	. LINER-COMBUSTION SIN 12300		1
-060A	6080T13G13	. LINER-COMBUSTION SIN 12300 POST SB 72-0015		ALT
-062	4905T45P01	. . FLANGE-IGNITER EYELET (SPAD) POST SB 72-0011		AR
-064	4905T46P01	. . RETAINER-IGNITER (SPAD) POST SB 72-0011		AR
-066	4905T47P01	. . FERRULE-IGNITER (SPAD) POST SB 72-0011		AR
-067	4903T64P01	. . PIN-HEADED (SPAD) POST SB 72-0029		AR
-068	4903T64P02	. . PIN-HEADED (SPAD) POST SB 72-0029		AR
070	4045T49P01	. . SPRING SIN 12300 14		12
080	4106T91P01	. . RETAINER-SWIRLER SIN 12300 20		12
090	5066T77P04	. . SWIRLER-PRIMARY SIN 12300 9		12
100	5074T14P01	. . SWIRLER-SECONDARY SIN 12300 8		12

- ITEM NOT ILLUSTRATED

GE Designated: - CONFIDENTIAL Subject to the restrictions on the media