

HELICOPTER ENGINES

TURBOSHAFT

**ARRIUS 2**

**F**

**MAINTENANCE  
TOOLS CATALOG**

**No. X 319 L6 800 2**

**Original issue: Jan. 22/1997**

**Update No. 34: Oct. 15/2023**



64511 BORDES CEDEX - FRANCE - Tel.: +33 (0)5 59 12 50 00

[www.safran-helicopter-engines.com](http://www.safran-helicopter-engines.com)



**LETTER**

This covering letter is not part of the MAINTENANCE TOOLS CATALOG.  
Do not keep it on the MAINTENANCE TOOLS CATALOG.

**Bordes, Oct. 15/2023**

**Dear Sir / Madam,**

**The *ARRIUS 2 F MAINTENANCE TOOLS CATALOG No. X 319 L6 800 2* has been subject to normal update No. 34 on Oct. 15/2023.**

**A description of the update (description, pages to be removed or inserted) is provided below.**

**We remain at your disposal for any further information you may require. Very truly yours**

**Technical Publications**

<b>Task Number</b>	<b>Description</b>	<b>Pages to be removed</b>	<b>Pages to be inserted</b>
TITLE PAGE	Integration	ALL	1
LIST OF EFFECTIVE PRELIMINARY PAGES	Integration	ALL	1 - 2
LAP - 00	Integration	ALL	1 to 2
00-00-40 - LIST OF TOOLS BY SAFRAN HELICOPTER ENGINES PART NUMBERS	Integration	ALL	1 to 8
00-00-41 - LIST OF TOOLS BY OT NUMBER	Integration	ALL	1 to 8
00-00-42 - LIST OF TOOLS BY TOOL NAME	Integration	ALL	1 to 4
00-00-43 - LIST OF TOOLS BY APPLICATION	Integration	ALL	1 to 4
00-00-44 - LIST OF CALIBRATION / INSPECTION REQUIREMENT BY OT NUMBER	Integration	ALL	1 to 2
00-00-45 - LIST OF SAFRAN HELICOPTER ENGINES PART NUMBER RELATIONSHIPS	Integration	ALL	1 to 4
LAP - OT	Integration	ALL	1 to 8
OT 60 0150	Integration	ALL	0 to 1



### RIGHTS OF USE

The information and data contained in this document, of whatsoever nature, notably intellectual, technical and in particular information that is or can be protected by Intellectual Property rights (such as given in the Intellectual Property Code), including particularly include the information related to know-how, manufacturing secrets, technical information, diagrams and drawings, are the sole property of Safran Helicopter Engines.

The information and data of this document are made available to the user with the sole purpose of allowing engine maintenance (maintenance and repair). The user undertakes not to use, copy, reproduce, duplicate, modify or disclose all or part of the information and data contained in this document for any purpose other than this one without the prior consent of Safran Helicopter Engines.

### TOOLS

The tools given in this catalog can be used according to the different authorizations granted to the participants: scheduled and unscheduled maintenance (maintenance manual), application of modification (technical instruction), maintenance (maintenance technical instruction).

**PAGE LEFT BLANK INTENTIONALLY**

### LIST OF EFFECTIVE PRELIMINARY PAGES

<u>Title</u>	<u>Pages</u>	<u>Date</u>
TITLE PAGE	* 1	Oct. 15/2023
INFORMATION PAGE	1 - 2	Apr. 15/2019
LIST OF EFFECTIVE PRELIMINARY PAGES	* 1 - 2	Oct. 15/2023
NORMAL UPDATE INCORPORATION SHEET	1 - 2	Aug. 30/2011

\* Page modified following update No. 34

---

**PAGE LEFT BLANK INTENTIONALLY**





**PAGE LEFT BLANK INTENTIONALLY**

## CHAPTER 00 - LIST OF EFFECTIVE PAGES

<u>Chapter Section Subject</u>	<u>Title</u>	<u>Pages</u>	<u>Date</u>
00	LIST OF EFFECTIVE PAGES	* 1 - 2	Oct. 15/2023
00	TABLE OF CONTENTS	1 - 2	Aug. 30/2011
00-00-00	INTRODUCTION	1 - 2	Oct. 30/2018
00-00-11	CATALOG USER GUIDE	1 - 6	Apr. 15/2019
00-00-13	LIST OF ADDITIONAL DOCUMENTATION	1 - 2	Aug. 30/2011
00-00-40	LIST OF TOOLS BY SAFRAN HELICOPTER ENGINES PART NUMBERS	* 1 - 8	Oct. 15/2023
00-00-41	LIST OF TOOLS BY OT NUMBER	* 1 - 8	Oct. 15/2023
00-00-42	LIST OF TOOLS BY TOOL NAME	* 1 - 4	Oct. 15/2023
00-00-43	LIST OF TOOLS BY APPLICATION	* 1 - 4	Oct. 15/2023
00-00-44	LIST OF CALIBRATION / INSPECTION REQUIREMENT BY OT NUMBER	* 1 - 2	Oct. 15/2023
00-00-45	LIST OF SAFRAN HELICOPTER ENGINES PART NUMBER RELATIONSHIPS	* 1 - 4	Oct. 15/2023

\* Page modified following update No. 34

**PAGE LEFT BLANK INTENTIONALLY**

### CHAPTER 00 - TABLE OF CONTENTS

<u>Subject</u>	<u>Chapter Section Subject</u>	<u>Page</u>
INTRODUCTION	00-00-00	1
CATALOG USER GUIDE	00-00-11	1
LIST OF ADDITIONAL DOCUMENTATION	00-00-13	1
LIST OF TOOLS BY TURBOMECA PART NUMBERS	00-00-40	1
LIST OF TOOLS BY OT NUMBER	00-00-41	1
LIST OF TOOLS BY TOOL NAME	00-00-42	1
LIST OF TOOLS BY APPLICATION	00-00-43	1
LIST OF CALIBRATION / INSPECTION REQUIREMENT BY OT NUMBER	00-00-44	1
LIST OF TURBOMECA PART NUMBER RELATIONSHIPS	00-00-45	1

**PAGE LEFT BLANK INTENTIONALLY**

### INTRODUCTION

**CAUTION:** THE INFORMATION IN THIS MANUAL IS SAFRAN HELICOPTER ENGINES PROPERTY. IT SHALL NOT BE COMMUNICATED TO A THIRD PARTY, NOR SHALL IT BE USED FOR ANY OTHER PURPOSES WITHOUT SAFRAN HELICOPTER ENGINES PRIOR WRITTEN AUTHORIZATION.

#### 1. GENERAL

This document complements the Maintenance Manual.

The writing of this document obeys the directives of "ATA Specification No. 100" Revision No. 35.

The purpose of this document is to identify the tools required for maintenance levels 1 and 2.

#### 2. UPDATE OF TOOLS CATALOG

The tools catalog is updated by normal updates.

Normal updates are distributed periodically and are printed on white paper.

A normal update incorporation sheet allows for better follow-up of these updates.

In the paper version or in PDF version, text and illustrations which have been modified are indicated by a line drawn in the left-hand margin.

In the electronic version (IETP), the text which has been modified appears on a blue-grey background. The illustrations which have been modified are indicated by a letter R that appears in front of the illustration title (left low part of the consultation screen).

#### 3. ORIGINAL ISSUE: ISSUE DATES OF TOOLS

As the documentary fund of the Original Issue of a Catalog partially results from an existing documentary fund, the issue dates of some tools can be prior to the Original Issue date of this Catalog.

**PAGE LEFT BLANK INTENTIONALLY**



## CATALOG USER GUIDE

**1. USE OF THE TOOLS CATALOG**

The tools catalog allows a tool to be identified in several ways.

**A. By the tool part number**

Refer to the list of tools by Safran Helicopter Engines part number (chapter 00-00-40) which specifies:

- the description of tool,
- the OT number,
- the NATO code number and the manufacturer reference when the article is not manufactured by Safran Helicopter Engines,
- the NATO part number,
- the quantity.

**B. By the tool number (OT No.)**

Refer to the list of tools by OT No. (chapter 00-00-41) which specifies:

- the description of tool,
- the Safran Helicopter Engines part number,
- the NATO code number and the manufacturer reference when the article is not manufactured by Safran Helicopter Engines,
- the NATO part number,
- the quantity.

**C. By description of tool**

Refer to the list of tools by description (chapter 00-00-42) which specifies:

- the OT number,
- the Safran Helicopter Engines part number,
- the NATO code number and the manufacturer reference when the article is not manufactured by Safran Helicopter Engines,
- the quantity,
- the application.

**D. By application**

Refer to the list of tools by application (chapter 00-00-43) which specifies:

- the OT number,
- the description,
- the Safran Helicopter Engines part number.

**E. By visualizing the tool without knowing its part number**

According to the shape of the tool, refer to the illustrated figures which cross-refer to the corresponding parts list.

**2. CALIBRATION / INSPECTION REQUIREMENT**

The tools catalog allows to identify if a tools is subject to a calibration/inspection requirement.

Refer to the list of tools by calibration/inspection requirement by OT No. (chapter 00-00-44) which specifies:

- the description,
- the periodicity value and who is in charge of the calibration/inspection,

**NOTE:** *The indicated periodicity values are recommended values by Safran Helicopter Engines and must be fit to the local quality normes.*

- the functional criteria check necessity.

### 3. PART NUMBER RELATIONSHIPS

The tools catalog allows to identify the part number alternates and part number evolutions.

Refer to the list of part number relationships by Safran Helicopter Engines part number (chapter 00-00-45) which specifies:

- the superseding part number,
- the alternate part number,
- the superseded part number.

### 4. PARTS LIST

Each tool is described by an OT number, a figure and a section of text.

The OT number is inscribed to bottom right.

The figures are always printed on the reverse side of the sheets and the corresponding parts list in front of the following sheet.

#### A. OT number

The tools are identified in the following way : **OT XX NNNN**

**OT** indicates that it is a tool.

**XX** corresponds to the application code in which this tool is used.  
(Refer to table 1).  
Nevertheless, a tool can be used by different applications.

**NNNN** corresponds to the tool identification number.  
Numbers start at 0010 and go up to 9990 in tens to  
make it possible to insert additional tools at a later  
date.

Table 1 : Application codes

<b>CODE</b>	<b>APPLICATION</b>
20	Cleaning
30	Inspection/Check
40	Test
50	Assembly Installation
60	Disassembly/Assembly Removal/Installation

ARRIUS 2

CODE	APPLICATION
70	Disassembly Removal
80	Storage/Handling
90	Other

**B. Figure**

The figure illustrates the tool and its components which are liable to be ordered.

**C. Text**

Refer to Figure 1

The section of text is made up of two parts:

(1) Description and use of the tool described

The different information about the description and the use of the tool described are in the following order:

- (a) the description of tool,
- (b) the Safran Helicopter Engines part number of tool,
- (c) the Safran Helicopter Engines part number of tool superseded by this OT number,
- (d) the supply code,

It specifies the possibility by the customer to manufacture a tool required and the customer's own responsibility .

Code	1 - 1	1 - 2	2 - 1	2 - 2	3 - 1	3 - 2
Manufacturing by	SHEF	SHEF	Customer/ Subsidiary	Customer/ Subsidiary	Customer/ Subsidiary	Customer/ Subsidiary
Validation by	SHEF	SHEF	SHEF	SHEF	Customer/ Subsidiary	Customer/ Subsidiary
Periodic ac- counting by	SHEF		Customer/ Subsidiary		Customer/ Subsidiary	

\* SHEF: Safran Helicopter Engines France

- (e) Calibration periodicity in number of months,

**NOTE:** *The indicated periodicity values are recommended values by Safran Helicopter Engines and must be fit to the local quality normes.*

- (f) the functional criteria check,
- (g) the use of the tool,
- (h) the use particularities of the tool,
- (i) the Safran Helicopter Engines part number and description of the alternate tool.

(2) Tool parts list

The different information of the tool parts list are in the following order:

- (a) Tool

In this column is indicated the OT number.

When a tool is made up of different assemblies, an index letter from A to Z is allocated to each assembly.

When an assembly is made up of sub-assemblies, an index number from 1 to 9 is allocated to each sub-assembly.

***NOTE: Assemblies and sub-assemblies which are not illustrated are preceded by a dash (-) in the first column of the tool number.***

(b) Part number

In this column is indicated the Safran Helicopter Engines part number.

(c) Description

This column gives the description of each article and shows the relationship between the different elements.

The description of the components making up an assembly are indented one tab to the right in relation to the position of the name of the assembly concerned.

(d) Quantity

This column indicates the quantity of parts required per assembly.

If an element of a tool cannot be ordered individually, "NP" ("Non Procurable") is indicated in the Quantity column.

(e) Rental (REN.)

All tools which are liable to be rented are identified with an "X" in this column.

For any information concerning rental conditions, contact:

Safran Helicopter Engines  
Direction commerciale  
Département Ventes et Support  
Service Support Client

Description and use of the tool described	<b>Description</b>		<b>Part number</b>	
	REMOVAL/INSTALLATION TOOL		8810825000	
	<i>This tool supersedes the tool</i>		8810815000	
	<b>Supply code</b>	<b>Calibration periodicity</b>	<b>Functional criteria check</b>	
	3 - 1	12	Not applicable	
	<b>Use</b>	Used to install the outer ring of module M02 front bearing		
	<b>Use particularities</b>	To be used with tool P/N 8818719000 (OT 80 0020)		
<b>Alternate</b>	<b>Part number</b>		<b>Description</b>	
	8810845000		REMOVAL/INSTALLATION TOOL	

	TOOL			PART NUMBER	DESCRIPTION	Qty	Ren.
	N° OT	Ind	Ind				
	60 0010			8810825000	REMOVAL/INSTALLATION TOOL	1	
	60 0010	A		8810825100	. INSTALLATION ASSY.	1	
	60 0010	A	1	8810825101	. . INSTALLATION SUB-ASSY 1	1	
	60 0010	A	2	8810825102	. . INSTALLATION SUB-ASSY 2	2	
-	60 0010	A	3	8810825103	. . INSTALLATION SUB-ASSY 3	NP	
	60 0010	B		8810825200	. REMOVAL ASSY.	1	
	60 0010	B	1	8810825201	. . REMOVAL SUB-ASSY 1	1	
-	60 0010	B	2	8810825202	. . REMOVAL SUB-ASSY 2	NP	

Figure 1

### 5. ABBREVIATIONS AND ACRONYMS USED

ASSY	Assembly
HP	High pressure
Ind	Index
LP	Low pressure
Mfr.	Manufacturer
mm	Millimeters
NP	Non procurable
P/N	Part number
REN.	Rental
TU	Safran Helicopter Engines modification

### LIST OF ADDITIONAL DOCUMENTATION

MAINTENANCE TOOLS CATALOG No. X 319 L6 800 2 is one document dealing with ARRIUS 2 F . The additional documents required for engine maintenance implementation are as follows:

<i>Description</i>	<i>References of manuals</i>
Maintenance Manual	X 319 L6 301 2
Spare Parts Catalogue	X 319 L6 700 2
List of Modifications	
List of Service Bulletins	
List of Service Letters	

**PAGE LEFT BLANK INTENTIONALLY**



LIST OF TOOLS BY SAFRAN HELICOPTER ENGINES PART NUMBERS

SAFRAN HELICOPTER ENGINES P/N	Description	OT No.	Mfr. NATO Code	Manufacturer PIN	NATO P/N	Qty
1616040107	SCREW CHC M4x10 B&K YS-8407	40 0460B3	F0228			3
1616050088	SCREW	60 0260B	F0228			1
8000263900	PLUG	50 3480	F0228			1
8242000000	SHIPMENT CONTAINER	80 0230	F0228			1
8242000010	SHIPMENT CONTAINER	80 3370	F0228			1
8242000270	SHIPMENT CONTAINER MODULE 1	80 3390	F0228			1
8242001000	SHIPMENT BOX	80 3140	F0228			1
8810131088	SET OF 5 MM-THREADED ROD EXTRACTORS	60 0070	F0228		5120142943519	1
8810600006	PIN	80 0080A	F0228			3
8813379000	REMOVAL / INSTALLATION TOOL	60 0490	F0228		5120144095115	1
8813379001	SEALOL RING	60 0490A	F0228			1
8813379002	SEALOL INSTALLATION	60 0490B	F0228			1
8813379004	SEALOL EXTRACTOR	60 0490C	F0228			1
8813753000	PLUG	50 3490	F0228		5340145245840	1
8814482000	EXTRACTION MANDREL	70 0010	F0228		5120144103468	1
8814482001	PLUNGER	70 0010A	F0228			1
8814482002	STAND	70 0010B	F0228			1
8814507000	HANDLE, SETTING INTO ROTATION	30 0130	F0228		5340144217308	1
8815099420	ADAPTER	40 0360C	F0228			1
8815099808	LABEL	40 0130B	F0228			1
8815099808	LABEL	40 0140C	F0228			1
8816228000	PROTECTOR	50 3080	F0228		5340144493034	1
8816228000	PLUG, STARTER	80 0020M	F0228			1
8816389000	PLUG	80 0020A	F0228			1
8816389000	PLUG	80 3030B9	F0228			2
8816389000	PLUG	80 3160	F0228			2
8816445000	CONTROL BOX	40 0700	F0228		4920144416124	1
8816446000	PLUG, EXHAUST PIPE	50 3340	F0228		5340144357748	1
8816492000	HARNESS	40 0260	F0228		6150144528349	1
8816520000	DRAINING DEVICE	80 0130	F0228			1
8816694000	VIBRATION MEASURING KIT B&K 2513	40 0100	F0228		4920144308998	1
8816694101	VIBROMETER TYPE B&K 2513, MODIFICATION BKF0058	40 0100B	F0228			1
8816694103	ACCELEROMETER CABLE B&K WL0748	40 0100F	F0228			1
8816694107	PROTECTION BAG	40 0100A	F0228			1
8816758000	RETAINING RING INSTALLATION TOOL	60 0370	F0228		5120144451885	1
8816854000	PLUG	60 0290	F0228		4920145759304	1
8817102000	PLUG	50 3220	F0228		5340145244396	2
8817367000	HARNESS	40 0180	F0228		6150144803080	1
8817506000	PLUG	60 3140	F0228		1730144407781	1
8818174000	DRAINING DEVICE	80 0190	F0228			1

# SAFRAN HELICOPTER ENGINES

## ARRIUS 2 F

### MAINTENANCE TOOLS CATALOG

SAFRAN HELICOPTER ENGINES P/N	Description	OT No.	Mfr. NATO Code	Manufacturer PIN	NATO P/N	Qty
8818314000	H.E. IGNITION UNIT	80 0080C	F0228			1
8818339000	ADAPTATION UNION	40 0270	F0228		4730145207015	1
8818340000	ADAPTATION UNION	40 0290	F0228		4730145207016	1
8818341000	HARNESS	40 0220	F0228		6150145207017	1
8818357000	HARNESS	40 0570	F0228			1
8818379000	PT WHEEL REMOVAL/ INSTALLATION TOOL	60 0330	F0228		5180145783104	1
8818381000	ASSEMBLY SUPPORT	60 0240	F0228		4920145308535	1
8818381001	CENTERING TOOL	60 0240A	F0228			1
8818381002	BASE PLATE	60 0240B	F0228			1
8818381003	TIE ROD	60 0240C	F0228			1
8818628200	REAR CASING SUPPORT	60 0160	F0228		4920145207019	1
8818628202	SUPPORT	60 0160A	F0228			1
8818641000	PLUG	80 0060	F0228		5340145308537	1
8818644000	PLUG	80 0020K	F0228			1
8818656000	PLUG	50 3160	F0228			1
8818656000	SHIPPING PROTECTOR	80 3030B2	F0228			1
8818657000	AIR INTAKE PLUG	60 0230	F0228		5340145207020	1
8818658000	PLUG	60 3060	F0228			1
8818658000	PLUG, EXHAUST CONE	80 3030B4	F0228			1
8818684000	BORESCOPE GUIDE	30 0140	F0228		5365145550295	1
8818932000	ADAPTATION UNION	40 0250	F0228		4730144860479	1
8819212000	BARE METALLIC CONTAINER	80 0180	F0228		8145145282956	1
8819212020	PACKING, PREFORMED	80 0180A	F0228			1
8819252000	VISCOMETER	90 0010	F0228		6630144765020	1
8819317000	PIVOTING ADAPTATION	60 0140	F0228		4920145207022	1
8819317001	LEFT STRUT	60 0140A	F0228			1
8819317002	RIGHT STRUT	60 0140B	F0228			1
8819317003	PIVOT	60 0140C	F0228			2
8819317004	NUT	60 0140D	F0228			4
8819317006	PLATE	60 0140E	F0228			2
8819323000	HOISTING FORK FITTING ASSEMBLY	60 0120	F0228		3940145207023	1
8819324000	PIVOTING ADAPTATION	60 0130	F0228		4920145207024	1
8819324001	L.H. PLATE	60 0130A	F0228			1
8819324002	R.H. PLATE	60 0130B	F0228			1
8819324003	L.H. FLANGE	60 0130C	F0228			1
8819324004	R.H. FLANGE	60 0130D	F0228			1
8819324005	L.H. REMOVABLE PIVOT	60 0130E	F0228			1
8819324006	R.H. REMOVABLE PIVOT	60 0130F	F0228			1
8819324007	SCREW	60 0140F	F0228			2
8819326000	POWER TURBINE WHEEL REMOVAL/ INSTALLATION TOOL	60 0340	F0228		5180145783100	1
8819326100	IMMOBILIZER	60 0340A	F0228			NP
8819326101	FIXTURE	60 0340A2	F0228			NP
8819326105	12-FLAT WRENCH	60 0340A1	F0228			1
8819326111	PROTECTOR	60 0340A4	F0228			NP
8819326112	WRENCH	60 0340A3	F0228			1
8819326200	COMPARATOR SUPPORT	60 0340B	F0228			NP
8819326300	EQUIPPED COMPARATOR	60 0340C	F0228			NP
8819331000	ENGINE MOUNT ASSEMBLY	80 0080	F0228		4920145207025	1
8819331001	HOISTING BEAM	80 0080D	F0228			1

List by P/N

Page 2

Oct. 15/2023

# SAFRAN HELICOPTER ENGINES

## ARRIUS 2 F

### MAINTENANCE TOOLS CATALOG

SAFRAN HELICOPTER ENGINES P/N	Description	OT No.	Mfr. NATO Code	Manufacturer PIN	NATO P/N	Qty
8819331002	REAR FLANGE	80 0080B	F0228			1
8819334000	WRENCH	60 0150	F0228		5120145207026	1
8819349000	REMOVAL / INSTALLATION TOOL, VARILIP SEALS	60 0310	F0228		5120145207027	1
8819349001	PLUNGER	60 0310A	F0228			1
8819349002	SUPPORT	60 0310B	F0228			1
8819349003	SUPPORT	60 0310C	F0228			1
8819367000	CONTAINER, BARE REDUCTION GEAR	80 0020	F0228		8145145308538	1
8819369000	GUIDE OF BORESCOPE HOSE	30 0120	F0228		6650145207028	1
8819370000	PLUG	80 0020F	F0228			1
8819372000	PLUG	80 0020E	F0228			2
8819373000	PLUG	80 0020D	F0228			1
8819375000	WRENCH AND RETAINER	60 0300	F0228		5120145207029	1
8819375001	RETAINER	60 0300C	F0228			1
8819375002	WRENCH	60 0300A	F0228			1
8819375003	DOWEL	60 0300B	F0228			3
8819384000	RETAINER	60 0170	F0228		5365145308536	1
8819391000	HARNESS	40 0240	F0228		6150145207030	1
8819393000	HARNESS	40 0280	F0228		6150145207031	1
8819394000	HARNESS	40 0300	F0228		6150145207032	1
8819454000	HANDLING MATCHING	80 0120	F0228			1
8819459000	SET OF SELF-TEST CONNECTORS	40 0170	F0228		5935145207034	1
8819505000	FLOW LIMITER ASSEMBLY	20 0020	F0228		4920144822473	1
8819505005	VALVE, FINE TRIMMING	20 0020C	F0228			1
8819645000	PLUG	80 0020N	F0228			1
8819823000	CONTAINER, REDUCTION GEARBOX	80 0100	F0228		8145145278791	1
8819823200	PLUGS KIT	80 0100A	F0228			1
8819828000	PLUG	80 0020B	F0228			1
8819830000	PLUG	50 3260	F0228			1
8819832000	PROTECTOR NUT	60 3320	F0228			4
8819840000	HARNESS	40 0200	F0228		6150145207035	1
8819841000	ADAPTATION UNION	40 0190	F0228		4730145207036	1
8819842000	ADAPTATION UNION	40 0230	F0228		4730145207037	1
8819843000	ADAPTATION UNION	40 0210	F0228		4730145207038	1
8819849000	INSTALLATION TOOL	50 0020	F0228			1
9542110520	BATTERY R6 1,5V	40 0100C	F0228			1
9560111050	PLUG	50 3400	F6069	GPN610U3RGE		1
9560142800	COPPER SEAL	60 0200G	F0228			1
9560152620	SCREW	80 0060A	F0228			6
9560153370	ADAPTOR	20 0010I	F0228			1
9560153370	UNION WITH FEMALE ENDS	20 0020B	F0228			1
9560153380	UNION WITH MALE ENDS	20 0020A	F0228			1
9561490100	PLUG	40 0370A	F0228			2
9561490180	PLUG	50 3050	F0228		5340121633850	1
9561490180	PLUG	80 0020O	F0228			1
9610010940	SPINDLE	60 0120A	F0228			2
9610017670	CASE	40 0140B2	F0228			1
9610017700	ACCELEROMETER B&K 8324	40 0410	F0228	8324I	6680223086122	1

# SAFRAN HELICOPTER ENGINES

## ARRIUS 2 F

### MAINTENANCE TOOLS CATALOG

SAFRAN HELICOPTER ENGINES P/N	Description	OT No.	Mfr. NATO Code	Manufacturer PIN	NATO P/N	Qty
9610017700	HIGH TEMPERATURE ACCELEROMETER B&K 8324	40 0460B2	F0228			1
9610019070	STRIPBOARD CUTTER	60 0250	F0228		5110997195219	1
9610020490	ACCELEROMETER ENDEVCO 6222S-20A	40 0140B1	F0228			1
9610046360	ACCELEROMETER ENDEVCO 6233C-10	40 0110	F0228		6680014807196	1
9610053100	VALVE	80 0180A2	F0228			1
9610053120	PRESSURE RELIEF VALVE ¼ G	80 0180A1	F0228			1
9610053130	HUMIDITY INDICATOR	80 0180A3	F0228			1
9610059020	BUTT OF CONNECTION	60 0200F	F0228			1
9610064500	AIRCRAFT POWER SUPPLY CABLE (SMA2.03.10)	40 0120	F0228		6150145260114	1
9610064560	ACCELEROMETER CABLE (SMA.03.01.02)	40 0130C4	F0228			1
9610064590	PORTABLE TEST KIT (S00-123)	40 0130C1	F0228			1
9610064600	LAPTOP (PC/S00-2000.A)	40 0130A	F0228			1
9610064970	SYNTESTER	40 0600	F0228			1
9610068730	TACHOMETER CABLE SAS22-03-06	40 0140A1	F0228			1
9610068790	BATTERY CHARGER (SMA2-04-01)	40 0130C5	F0228			1
9610068900	AIRCRAFT POWER SUPPLY CABLE (SMA2.03.10.2B)	40 0020	F0228		6145145575331	1
9610080670	PLUG TO BE SCREWED	40 0380B	F0228			1
9610084310	BS 2000 SOFTWARE (T.PVA.S2.98.999)	40 0130C6	F0228			1
9610084320	BS 2000 MANUAL E/F (T.DOC.S2.00.034)	40 0130C7	F0228			1
9610084330	CVM SOFTWARE (T.PVA.S2.98.1000)	40 0130C8	F0228			1
9610084340	CVM MANUAL E/F (T.DOC.S2.00.039)	40 0130C9	F0228			1
9610084460	WORK CARD OF EXTERNAL KIT T.PVA.S2.99.264	40 0140A2	F0228			1
9610090180	BOX ASSEMBLY (S2000.4 / V3.1)	40 0130C2	F0228			1
9610090190	PC CABLE (SPC2-04)	40 0130C3	F0228			1
9678400120	VINYL POCKET 45x120	40 0100E	F0228			1
9681800921	PACKING PREFORMED	80 0130A	F0228			1
9752010044	FLAT SEAL	40 0360B	F0228			1
9752014044	FLAT SEAL	40 0360D	F0228			1
9770060034	NIPPLE, DOUBLE	40 0360E	F0228			1
9789141500	FEMALE PLUG	60 3070	F0228		5340143138714	1
9789141500	PLUG	80 3030B11	F0228			2
9789161500	PLUG	80 3030B10	F0228			1
9789161500	PLUG	80 3440	F0228		5340142131077	1
9789181500	PLUG	70 3110	F0228		5340140101190	1
9789400050	PLUG	50 3440	F0228		5340143437863	1
9789400070	PLUG, DRAINS	60 3160	F0228		5340143478640	1

List by P/N

Page 4

Oct. 15/2023

# SAFRAN HELICOPTER ENGINES

## ARRIUS 2 F

MAINTENANCE TOOLS CATALOG

SAFRAN HELICOPTER ENGINES P/N	Description	OT No.	Mfr. NATO Code	Manufacturer PIN	NATO P/N	Qty
9789400120	PLUG	80 3030B12	F0228			1
9789400180	PLUG	70 3180	F0228		5340121706447	2
9789400220	PLUG	80 3450	F0228		5340144462058	1
9789400300	U30 PLUG	60 3180	F0228		5340121587595	2
9794410630	Ø INT: 63 O-RING SEAL	60 0180F	F0228			1
9836005016	SCREW	60 0170A	F0228			3
9848401229	SCREW CHC M4X12	40 0100D	F0228			3
TA5150G001	MOULDING	40 0510	F0228		4920145741005	1
TM0067G001	RIGID BORESCOPE DIA. 5 WITH RETICULE	30 0110	F0228		6650145207040	1
TM0084G001	PLUG	50 3240	F0228			1
TM0085G001	PLUG	50 3450	F0228			1
TM0086G001	PLUG	80 3460	F0228			1
TM0104G012	SYNTHAM 2000.4 + PC	40 0130	F0228		4920145401176	1
TM0104G112	SYNTHAM 2000.4 / V3.1	40 0130C	F0228			1
TM0133G001	SLEEVE	50 3460	F0228			1
TM0188G002	TANK, PRESSURE GENERATOR	20 0010	F0228		4940145269189	1
TM0188G201	EQUIPPED TANK	20 0010J	F0228			1
TM0188P102	PUMP	20 0010B	F0228			1
TM0188P103	EQUIPPED PIPE	20 0010H	F0228			1
TM0188P105	COVER	20 0010D	F0228			1
TM0188P123	COUPLING (LS-1806213)	20 0010G	F0228			1
TM0188P126	SWITCH (LS-1806158)	20 0010E	F0228			1
TM0188P127	RELAY 24V-20A (LS-1806160)	20 0010F	F0228			1
TM0188P132	CHASSIS	20 0010A	F0228			1
TM0188P133	ELECTRIC MOTOR	20 0010C	F0228			1
TM0188P201	EQUIPPED PIPE	20 0010J2	F0228			1
TM0188P202	TANK	20 0010J1	F0228			1
TM0310G001	DRAINING DEVICE	80 0140	F0228		5120145290546	1
TM0310P002	PACKING PREFORMED	80 0140A	F0228			1
TM0454G001	PT WHEEL RUNOUT INSPECTION TOOL	60 0350	F0228		5180145783309	1
TM0466G001	ASSEMBLY CONE	50 0010	F0228			1
TM0582G001	CONTAINER, GAS GENERATOR	80 3030	F0228			1
TM0582P001	BARE CONTAINER, GAS GENERATOR	80 3030A	F0228			1
TM0630G001	REMOVAL / INSTALLATION TOOL	60 0180	F0228		5120145291249	1
TM0630P001	FLANGE	60 0180A	F0228			1
TM0630P002	BASE	60 0180B	F0228			1
TM0630P005	NUT	60 0180D	F0228			1
TM0630P006	Ø INT: 44.17 O-RING SEAL	60 0180E	F0228			1
TM0630P010	STUD	60 0180C	F0228			1
TM0631G001	REMOVAL / INSTALLATION TOOL	60 0190	F0228		5120145287716	1
TM0631P001	FLANGE	60 0190A	F0228			1
TM0631P002	BASE	60 0190B	F0228			1
TM0631P005	NUT	60 0190D	F0228			1
TM0631P006	Ø INT: 25.12 O-RING SEAL	60 0190E	F0228			1
TM0631P007	Ø INT: 50.52 O-RING SEAL	60 0190F	F0228			1

# SAFRAN HELICOPTER ENGINES

## ARRIUS 2 F

### MAINTENANCE TOOLS CATALOG

SAFRAN HELICOPTER ENGINES P/N	Description	OT No.	Mfr. NATO Code	Manufacturer PIN	NATO P/N	Qty
TM0631P010	STUD	60 0190C	F0228			1
TM0714G001	PLUGS, KIT	80 3030B	F0228			1
TM0750G010	KIT, VIBRATIONS TEST	40 0140	F0228			1
TM0750G110	SEMIA EQUIPMENT	40 0140A	F0228			1
TM0750G210	SAFRAN HELICOPTER ENGINES EQUIPMENT	40 0140B	F0228			1
TM0797G002	MAGNETIC SEAL REMOVAL/INSTALLATION TOOL	60 0200	F0228		5120145287713	1
TM0797P001	FLANGE	60 0200A	F0228			NP
TM0797P002	STAND	60 0200B	F0228			NP
TM0797P005	STUD	60 0200C	F0228			1
TM0797P008	Ø INT: 25.12 O-RING SEAL	60 0200D	F0228			1
TM0797P009	Ø INT: 36.30 O-RING SEAL	60 0200E	F0228			1
TM0801G002	RETAINING AND GUIDING RING	60 0210	F0228		5120145432422	1
TM0807G001	HYDRAULIC PRESSURE GENERATOR	40 0370	F0228		4940145177482	1
TM0807P006	ADAPTER M10X100 - 1/8 GAZ	40 0370B	F0228			2
TM0807P011	BONDED WASHER	40 0370C	F0228			2
TM1073G001	BORESCOPIC GUIDE	30 0160	F0228		6650145476793	1
TM1073P001	TUBE	30 0160A	F0228			1
TM1330G001	PIPE	40 0380	F0228		4720145542636	1
TM1330P001	PIPE	40 0380A	F0228			1
TM1507G001	EXTRACTOR	60 0220	F0228			1
TM1608G001	MEASURING SYSTEM	40 0360A	F0228			1
TM1608P001	DIGITAL INDICATOR	40 0360A1	F0228			1
TM1608P002	SENSOR PRESSURE	40 0360A2	F0228			1
TM1608P003	SHIELDED CONNECTION HARNES	40 0360A3	F0228			1
TM1609G001	POCKET, MANOMETER	40 0360	F0228		6620145279452	1
TM1646G001	PLUG, AIR INTAKE	80 0240	F0228			1
TM1646G001	PLUG, AIR INTAKE	80 3030B3	F0228			1
TM1664G001	REMOVAL / INSTALLATION TOOL	60 0060	F0228		5120145551551	1
TM1664P004	JAW	60 0060A	F0228			1
TM2446G001	CHECK TOOL	40 0440	F0228			1
TM2812G001	HOISTING SLING	80 0150	F0228		3940145783120	1
TM2812P001	HOISTING BEAM	80 0150A	F0228			3
TM2812P002	ARM	80 0150B	F0228			1
TM2812P003	SLING	80 0150C	F0228			2
TM3369G001	PLIERS	60 0480	F0228			1
TM4186G001	POSITIONING GAUGE	60 0260	F0228		5210145783129	1
TM4186P001	GAUGE	60 0260A	F0228			1
TM4362G001	PLUG	50 3090	F0228		5340145244388	1
TM4362G001	PLUG	80 0020L	F0228			1
TM4375G001	PLUG	80 3480	F0228		5340145688126	1
TM4574G001	PLUG	80 3030B8	F0228			2
TM4574G001	PLUG	80 3170	F0228		5340144427482	1
TM4575G001	PLUG	70 3030	F0228		5340145048273	2
TM4575G001	PLUG	80 3030B13	F0228			3
TM4577G001	PLUG, INJECTOR	80 3030B1	F0228			10
TM4577G001	PLUG	80 3240	F0228			10

List by P/N

Page 6

Oct. 15/2023

00-00-40

# SAFRAN HELICOPTER ENGINES

## ARRIUS 2 F

MAINTENANCE TOOLS CATALOG

SAFRAN HELICOPTER ENGINES P/N	Description	OT No.	Mfr. NATO Code	Manufacturer PIN	NATO P/N	Qty
TM4578G001	PLUG	80 3030B7	F0228			2
TM4578G001	PLUG	80 3250	F0228			2
TM4582G001	PLUG	50 3060	F0228			7
TM4582G001	PLUG	80 0020J	F0228			7
TM4583G001	PLUG	50 3130	F0228			1
TM4583G001	PLUG	80 0020I	F0228			1
TM4584G001	PLUG	50 3140	F0228			1
TM4584G001	PLUG	80 0020H	F0228			1
TM4585G001	PLUG	50 3040	F0228			1
TM4585G001	PLUG	80 0020G	F0228			2
TM4586G001	PLUG, OIL	80 3030B5	F0228			5
TM4586G001	PLUG, OIL	80 3270	F0228			4
TM4587G001	PLUG, THERMOCOUPLE	80 3030B6	F0228			6
TM4587G001	PLUG, THERMOCOUPLE	80 3280	F0228			4
TM4588G001	PLUG	50 3230	F0228			1
TM4589G001	PLUG	80 0020C	F0228			1
TM4593G001	PLUG	80 3500	F0228			1
TM4865G001	KIT, VIBRATIONS TEST B&K 3656-A	40 0460	F0228		4920226254505	1
TM4890G002	HARNESS TEST BOX	40 0150	F0228		6625145635452	1
TM4894G001	TEST, HARNESS	40 0160	F0228			1
TM5040G001	EQUIPPED HEATING CLAMP	40 0500	F0228		4920145741014	1
TM5216G001	PLUG	80 0280	F0228			1
TM5351G001	ACQUISITION SYSTEM B&K 2250-H-100	40 0460A	F0228			1
TM5351G101	PACKAGING B&K KE-0440	40 0460A1	F0228			1
TM5351G201	VIBROMETER B&K 2250- H-001	40 0460A2	F0228			NP
TM5351G301	SD CARD B&K UL-1009	40 0460A7	F0228			NP
TM5351G401	ACQUISITION SOFTWARE B&K BZ-7226	40 0460A8	F0228			1
TM5351G501	MAINS ADAPTATOR B&K ZG-0426	40 0460A9	F0228			1
TM5351G601	USB/MINI USB ADAPTATOR B&K AO-1476	40 0460A10	F0228			1
TM5351G701	STYLET B&K UA-1654	40 0460A11	F0228			5
TM5351P201	BOX B&K 2250	40 0460A3	F0228			NP
TM5351P202	BATTERY B&K QB-0061	40 0460A4	F0228			1
TM5351P203	COVER B&K FB-0679	40 0460A5	F0228			1
TM5351P204	PROTECTION PLUG B&K DD-0594	40 0460A6	F0228			1
TM5352G001	PACKAGING AND MEASURE KIT B&K 8324- G-002	40 0460B	F0228			1
TM5352G101	CHARGE TO DELTATRON CONVERTER B&K 2647- D-004	40 0460B1	F0228			1
TM5490G001	GUIDE	60 3310	F0228		5315145861067	1
TM5596G001	ADAPTER	40 0550	F0228		4920145782018	1
TM5780G001	ENGINE CONTAINER	80 3010	F0228		8145145778100	1
TM7346G001	SUPPORT	60 0470	F0228			1
TM7346P001	FLANGE	60 0470A	F0228			1
TM7346P002	CAPTIVE SCREW	60 0470B	F0228			2

# SAFRAN HELICOPTER ENGINES

## ARRIUS 2 F

### MAINTENANCE TOOLS CATALOG

SAFRAN HELICOPTER ENGINES P/N	Description	OT No.	Mfr. NATO Code	Manufacturer PIN	NATO P/N	Qty
TM7550G001	LIFTING FIXTURES	60 3340	F0228			1
TM7550P001	BRACKET	60 3340A	F0228			1
TM7550P002	CLAMP	60 3340B	F0228			1
TM7550P003	GUIDE	60 3340C	F0228			1
TM7550P004	SCREW MODIFIED	60 3340D	F0228			1
TM7670G001	RETAINING TOOL	50 0030	F0228			1
TM7671G001	RETAINING TOOL	50 0040	F0228			1
TM7706G001	INSTALLATION TOOL	50 0050	F0228			1



## LIST OF TOOLS BY OT NUMBER

OT No.	Description	SAFRAN HELICOPTER ENGINES P/N	Mfr. NATO Code	Manufacturer PIN	NATO P/N	Qty
20 0010	TANK, PRESSURE GENERATOR	TM0188G002	F0228		4940145269189	1
20 0010A	CHASSIS	TM0188P132	F0228			1
20 0010B	PUMP	TM0188P102	F0228			1
20 0010C	ELECTRIC MOTOR	TM0188P133	F0228			1
20 0010D	COVER	TM0188P105	F0228			1
20 0010E	SWITCH (LS-1806158)	TM0188P126	F0228			1
20 0010F	RELAY 24V-20A (LS-1806160)	TM0188P127	F0228			1
20 0010G	COUPLING (LS-1806213)	TM0188P123	F0228			1
20 0010H	EQUIPPED PIPE	TM0188P103	F0228			1
20 0010I	ADAPTOR	9560153370	F0228			1
20 0010J	EQUIPPED TANK	TM0188G201	F0228			1
20 0010J1	TANK	TM0188P202	F0228			1
20 0010J2	EQUIPPED PIPE	TM0188P201	F0228			1
20 0020	FLOW LIMITER ASSEMBLY	8819505000	F0228		4920144822473	1
20 0020A	UNION WITH MALE ENDS	9560153380	F0228			1
20 0020B	UNION WITH FEMALE ENDS	9560153370	F0228			1
20 0020C	VALVE, FINE TRIMMING	8819505005	F0228			1
30 0110	RIGID BORESCOPE DIA. 5 WITH RETICULE	TM0067G001	F0228		6650145207040	1
30 0120	GUIDE OF BORESCOPE HOSE	8819369000	F0228		6650145207028	1
30 0130	HANDLE, SETTING INTO ROTATION	8814507000	F0228		5340144217308	1
30 0140	BORESCOPE GUIDE	8818684000	F0228		5365145550295	1
30 0160	BORESCOPIC GUIDE	TM1073G001	F0228		6650145476793	1
30 0160A	TUBE	TM1073P001	F0228			1
40 0020	AIRCRAFT POWER SUPPLY CABLE (SMA2.03.10.2B)	9610068900	F0228		6145145575331	1
40 0100	VIBRATION MEASURING KIT B&K 2513	8816694000	F0228		4920144308998	1
40 0100A	PROTECTION BAG	8816694107	F0228			1
40 0100B	VIBROMETER TYPE B&K 2513, MODIFICATION BKF0058	8816694101	F0228			1
40 0100C	BATTERY R6 1,5V	9542110520	F0228			1
40 0100D	SCREW CHC M4X12	9848401229	F0228			3
40 0100E	VINYL POCKET 45x120	9678400120	F0228			1
40 0100F	ACCELEROMETER CABLE B&K WL0748	8816694103	F0228			1
40 0110	ACCELEROMETER ENDEVCO 6233C-10	9610046360	F0228		6680014807196	1
40 0120	AIRCRAFT POWER SUPPLY CABLE (SMA2.03.10)	9610064500	F0228		6150145260114	1
40 0130	SYNTHAM 2000.4 + PC	TM0104G012	F0228		4920145401176	1
40 0130A	LAPTOP (PC/S00-2000.A)	9610064600	F0228			1
40 0130B	LABEL	8815099808	F0228			1

# SAFRAN HELICOPTER ENGINES

## ARRIUS 2 F

### MAINTENANCE TOOLS CATALOG

OT No.	Description	SAFRAN HELICOPTER ENGINES P/N	Mfr. NATO Code	Manufacturer PIN	NATO P/N	Qty
40 0130C	SYNTHAM 2000.4 / V3.1	TM0104G112	F0228			1
40 0130C1	PORTABLE TEST KIT (S00-123)	9610064590	F0228			1
40 0130C2	BOX ASSEMBLY (S2000.4 / V3.1)	9610090180	F0228			1
40 0130C3	PC CABLE (SPC2-04)	9610090190	F0228			1
40 0130C4	ACCELEROMETER CABLE (SMA.03.01.02)	9610064560	F0228			1
40 0130C5	BATTERY CHARGER (SMA2-04-01)	9610068790	F0228			1
40 0130C6	BS 2000 SOFTWARE (T.PVA.S2.98.999)	9610084310	F0228			1
40 0130C7	BS 2000 MANUAL E/F (T.DOC.S2.00.034)	9610084320	F0228			1
40 0130C8	CVM SOFTWARE (T.PVA.S2.98.1000)	9610084330	F0228			1
40 0130C9	CVM MANUAL E/F (T.DOC.S2.00.039)	9610084340	F0228			1
40 0140	KIT, VIBRATIONS TEST	TM0750G010	F0228			1
40 0140A	SEMIA EQUIPMENT	TM0750G110	F0228			1
40 0140A1	TACHOMETER CABLE SAS22-03-06	9610068730	F0228			1
40 0140A2	WORK CARD OF EXTERNAL KIT T.PVA.S2.99.264	9610084460	F0228			1
40 0140B	SAFRAN HELICOPTER ENGINES EQUIPMENT	TM0750G210	F0228			1
40 0140B1	ACCELEROMETER ENDEVCO 6222S-20A	9610020490	F0228			1
40 0140B2	CASE	9610017670	F0228			1
40 0140C	LABEL	8815099808	F0228			1
40 0150	HARNESS TEST BOX	TM4890G002	F0228		6625145635452	1
40 0160	TEST, HARNESS	TM4894G001	F0228			1
40 0170	SET OF SELF-TEST CONNECTORS	8819459000	F0228		5935145207034	1
40 0180	HARNESS	8817367000	F0228		6150144803080	1
40 0190	ADAPTATION UNION	8819841000	F0228		4730145207036	1
40 0200	HARNESS	8819840000	F0228		6150145207035	1
40 0210	ADAPTATION UNION	8819843000	F0228		4730145207038	1
40 0220	HARNESS	8818341000	F0228		6150145207017	1
40 0230	ADAPTATION UNION	8819842000	F0228		4730145207037	1
40 0240	HARNESS	8819391000	F0228		6150145207030	1
40 0250	ADAPTATION UNION	8818932000	F0228		4730144860479	1
40 0260	HARNESS	8816492000	F0228		6150144528349	1
40 0270	ADAPTATION UNION	8818339000	F0228		4730145207015	1
40 0280	HARNESS	8819393000	F0228		6150145207031	1
40 0290	ADAPTATION UNION	8818340000	F0228		4730145207016	1
40 0300	HARNESS	8819394000	F0228		6150145207032	1
40 0360	POCKET, MANOMETER	TM1609G001	F0228		6620145279452	1
40 0360A	MEASURING SYSTEM	TM1608G001	F0228			1
40 0360A1	DIGITAL INDICATOR	TM1608P001	F0228			1
40 0360A2	SENSOR PRESSURE	TM1608P002	F0228			1
40 0360A3	SHIELDED CONNECTION HARNESS	TM1608P003	F0228			1
40 0360B	FLAT SEAL	9752010044	F0228			1
40 0360C	ADAPTER	8815099420	F0228			1

List by OT No.

Page 2

Oct. 15/2023

# SAFRAN HELICOPTER ENGINES

## ARRIUS 2 F

MAINTENANCE TOOLS CATALOG

OT No.	Description	SAFRAN HELICOPTER ENGINES P/N	Mfr. NATO Code	Manufacturer PIN	NATO P/N	Qty
40 0360D	FLAT SEAL	9752014044	F0228			1
40 0360E	NIPPLE, DOUBLE	9770060034	F0228			1
40 0370	HYDRAULIC PRESSURE GENERATOR	TM0807G001	F0228		4940145177482	1
40 0370A	PLUG	9561490100	F0228			2
40 0370B	ADAPTER M10X100 - 1/8 GAZ	TM0807P006	F0228			2
40 0370C	BONDED WASHER	TM0807P011	F0228			2
40 0380	PIPE	TM1330G001	F0228		4720145542636	1
40 0380A	PIPE	TM1330P001	F0228			1
40 0380B	PLUG TO BE SCREWED	9610080670	F0228			1
40 0410	ACCELEROMETER B&K 8324	9610017700	F0228	8324I	6680223086122	1
40 0440	CHECK TOOL	TM2446G001	F0228			1
40 0460	KIT, VIBRATIONS TEST B&K 3656-A	TM4865G001	F0228		4920226254505	1
40 0460A	ACQUISITION SYSTEM B&K 2250-H-100	TM5351G001	F0228			1
40 0460A1	PACKAGING B&K KE-0440	TM5351G101	F0228			1
40 0460A10	USB/MINI USB ADAPTATOR B&K AO-1476	TM5351G601	F0228			1
40 0460A11	STYLET B&K UA-1654	TM5351G701	F0228			5
40 0460A2	VIBROMETER B&K 2250-H-001	TM5351G201	F0228			NP
40 0460A3	BOX B&K 2250	TM5351P201	F0228			NP
40 0460A4	BATTERY B&K QB-0061	TM5351P202	F0228			1
40 0460A5	COVER B&K FB-0679	TM5351P203	F0228			1
40 0460A6	PROTECTION PLUG B&K DD-0594	TM5351P204	F0228			1
40 0460A7	SD CARD B&K UL-1009	TM5351G301	F0228			NP
40 0460A8	ACQUISITION SOFTWARE B&K BZ-7226	TM5351G401	F0228			1
40 0460A9	MAINS ADAPTATOR B&K ZG-0426	TM5351G501	F0228			1
40 0460B	PACKAGING AND MEASURE KIT B&K 8324-G-002	TM5352G001	F0228			1
40 0460B1	CHARGE TO DELTATRON CONVERTER B&K 2647-D-004	TM5352G101	F0228			1
40 0460B2	HIGH TEMPERATURE ACCELEROMETER B&K 8324	9610017700	F0228			1
40 0460B3	SCREW CHC M4x10 B&K YS-8407	1616040107	F0228			3
40 0500	EQUIPPED HEATING CLAMP	TM5040G001	F0228		4920145741014	1
40 0510	MOULDING	TA5150G001	F0228		4920145741005	1
40 0550	ADAPTER	TM5596G001	F0228		4920145782018	1
40 0570	HARNESS	8818357000	F0228			1
40 0600	SYNTESTER	9610064970	F0228			1
40 0700	CONTROL BOX	8816445000	F0228		4920144416124	1
50 0010	ASSEMBLY CONE	TM0466G001	F0228			1
50 0020	INSTALLATION TOOL	8819849000	F0228			1

# SAFRAN HELICOPTER ENGINES

## ARRIUS 2 F

### MAINTENANCE TOOLS CATALOG

OT No.	Description	SAFRAN HELICOPTER ENGINES P/N	Mfr. NATO Code	Manufacturer PIN	NATO P/N	Qty
50 0030	RETAINING TOOL	TM7670G001	F0228			1
50 0040	RETAINING TOOL	TM7671G001	F0228			1
50 0050	INSTALLATION TOOL	TM7706G001	F0228			1
50 3040	PLUG	TM4585G001	F0228			1
50 3050	PLUG	9561490180	F0228		5340121633850	1
50 3060	PLUG	TM4582G001	F0228			7
50 3080	PROTECTOR	8816228000	F0228		5340144493034	1
50 3090	PLUG	TM4362G001	F0228		5340145244388	1
50 3130	PLUG	TM4583G001	F0228			1
50 3140	PLUG	TM4584G001	F0228			1
50 3160	PLUG	8818656000	F0228			1
50 3220	PLUG	8817102000	F0228		5340145244396	2
50 3230	PLUG	TM4588G001	F0228			1
50 3240	PLUG	TM0084G001	F0228			1
50 3260	PLUG	8819830000	F0228			1
50 3340	PLUG, EXHAUST PIPE	8816446000	F0228		5340144357748	1
50 3400	PLUG	9560111050	F0669	GPN610U3RGE		1
50 3440	PLUG	9789400050	F0228		5340143437863	1
50 3450	PLUG	TM0085G001	F0228			1
50 3460	SLEEVE	TM0133G001	F0228			1
50 3480	PLUG	8000263900	F0228			1
50 3490	PLUG	8813753000	F0228		5340145245840	1
60 0060	REMOVAL / INSTALLATION TOOL	TM1664G001	F0228		5120145551551	1
60 0060A	JAW	TM1664P004	F0228			1
60 0070	SET OF 5 MM- THREADED ROD EXTRACTORS	8810131088	F0228		5120142943519	1
60 0120	HOISTING FORK FITTING ASSEMBLY	8819323000	F0228		3940145207023	1
60 0120A	SPINDLE	9610010940	F0228			2
60 0130	PIVOTING ADAPTATION	8819324000	F0228		4920145207024	1
60 0130A	L.H. PLATE	8819324001	F0228			1
60 0130B	R.H. PLATE	8819324002	F0228			1
60 0130C	L.H. FLANGE	8819324003	F0228			1
60 0130D	R.H. FLANGE	8819324004	F0228			1
60 0130E	L.H. REMOVABLE PIVOT	8819324005	F0228			1
60 0130F	R.H. REMOVABLE PIVOT	8819324006	F0228			1
60 0140	PIVOTING ADAPTATION	8819317000	F0228		4920145207022	1
60 0140A	LEFT STRUT	8819317001	F0228			1
60 0140B	RIGHT STRUT	8819317002	F0228			1
60 0140C	PIVOT	8819317003	F0228			2
60 0140D	NUT	8819317004	F0228			4
60 0140E	PLATE	8819317006	F0228			2
60 0140F	SCREW	8819324007	F0228			2
60 0150	WRENCH	8819334000	F0228		5120145207026	1
60 0160	REAR CASING SUPPORT	8818628200	F0228		4920145207019	1
60 0160A	SUPPORT	8818628202	F0228			1
60 0170	RETAINER	8819384000	F0228		5365145308536	1
60 0170A	SCREW	9836005016	F0228			3
60 0180	REMOVAL / INSTALLATION TOOL	TM0630G001	F0228		5120145291249	1
60 0180A	FLANGE	TM0630P001	F0228			1
60 0180B	BASE	TM0630P002	F0228			1
60 0180C	STUD	TM0630P010	F0228			1
60 0180D	NUT	TM0630P005	F0228			1

List by OT No.

Page 4

Oct. 15/2023

# SAFRAN HELICOPTER ENGINES

## ARRIUS 2 F

MAINTENANCE TOOLS CATALOG

OT No.	Description	SAFRAN HELICOPTER ENGINES P/N	Mfr. NATO Code	Manufacturer PIN	NATO P/N	Qty
60 0180E	Ø INT: 44.17 O-RING SEAL	TM0630P006	F0228			1
60 0180F	Ø INT: 63 O-RING SEAL	9794410630	F0228			1
60 0190	REMOVAL / INSTALLATION TOOL	TM0631G001	F0228		5120145287716	1
60 0190A	FLANGE	TM0631P001	F0228			1
60 0190B	BASE	TM0631P002	F0228			1
60 0190C	STUD	TM0631P010	F0228			1
60 0190D	NUT	TM0631P005	F0228			1
60 0190E	Ø INT: 25.12 O-RING SEAL	TM0631P006	F0228			1
60 0190F	Ø INT: 50.52 O-RING SEAL	TM0631P007	F0228			1
60 0200	MAGNETIC SEAL REMOVAL/INSTALLATION TOOL	TM0797G002	F0228		5120145287713	1
60 0200A	FLANGE	TM0797P001	F0228			NP
60 0200B	STAND	TM0797P002	F0228			NP
60 0200C	STUD	TM0797P005	F0228			1
60 0200D	Ø INT: 25.12 O-RING SEAL	TM0797P008	F0228			1
60 0200E	Ø INT: 36.30 O-RING SEAL	TM0797P009	F0228			1
60 0200F	BUTT OF CONNECTION	9610059020	F0228			1
60 0200G	COPPER SEAL	9560142800	F0228			1
60 0210	RETAINING AND GUIDING RING	TM0801G002	F0228		5120145432422	1
60 0220	EXTRACTOR	TM1507G001	F0228			1
60 0230	AIR INTAKE PLUG	8818657000	F0228		5340145207020	1
60 0240	ASSEMBLY SUPPORT	8818381000	F0228		4920145308535	1
60 0240A	CENTERING TOOL	8818381001	F0228			1
60 0240B	BASE PLATE	8818381002	F0228			1
60 0240C	TIE ROD	8818381003	F0228			1
60 0250	STRIPBOARD CUTTER	9610019070	F0228		5110997195219	1
60 0260	POSITIONING GAUGE	TM4186G001	F0228		5210145783129	1
60 0260A	GAUGE	TM4186P001	F0228			1
60 0260B	SCREW	1616050088	F0228			1
60 0290	PLUG	8816854000	F0228		4920145759304	1
60 0300	WRENCH AND RETAINER	8819375000	F0228		5120145207029	1
60 0300A	WRENCH	8819375002	F0228			1
60 0300B	DOWEL	8819375003	F0228			3
60 0300C	RETAINER	8819375001	F0228			1
60 0310	REMOVAL / INSTALLATION TOOL, VARILIP SEALS	8819349000	F0228		5120145207027	1
60 0310A	PLUNGER	8819349001	F0228			1
60 0310B	SUPPORT	8819349002	F0228			1
60 0310C	SUPPORT	8819349003	F0228			1
60 0330	PT WHEEL REMOVAL/ INSTALLATION TOOL	8818379000	F0228		5180145783104	1
60 0340	POWER TURBINE WHEEL REMOVAL/ INSTALLATION TOOL	8819326000	F0228		5180145783100	1
60 0340A	IMMOBILIZER	8819326100	F0228			NP
60 0340A1	12-FLAT WRENCH	8819326105	F0228			1
60 0340A2	FIXTURE	8819326101	F0228			NP

List by OT No.

Page 5

Oct. 15/2023

# SAFRAN HELICOPTER ENGINES

## ARRIUS 2 F

### MAINTENANCE TOOLS CATALOG

OT No.	Description	SAFRAN HELICOPTER ENGINES P/N	Mfr. NATO Code	Manufacturer PIN	NATO P/N	Qty
60 0340A3	WRENCH	8819326112	F0228			1
60 0340A4	PROTECTOR	8819326111	F0228			NP
60 0340B	COMPARATOR SUPPORT	8819326200	F0228			NP
60 0340C	EQUIPPED COMPARATOR	8819326300	F0228			NP
60 0350	PT WHEEL RUNOUT INSPECTION TOOL	TM0454G001	F0228		5180145783309	1
60 0370	RETAINING RING INSTALLATION TOOL	8816758000	F0228		5120144451885	1
60 0470	SUPPORT	TM7346G001	F0228			1
60 0470A	FLANGE	TM7346P001	F0228			1
60 0470B	CAPTIVE SCREW	TM7346P002	F0228			2
60 0480	PLIERS	TM3369G001	F0228			1
60 0490	REMOVAL / INSTALLATION TOOL	8813379000	F0228		5120144095115	1
60 0490A	SEALOL RING	8813379001	F0228			1
60 0490B	SEALOL INSTALLATION	8813379002	F0228			1
60 0490C	SEALOL EXTRACTOR	8813379004	F0228			1
60 3060	PLUG	8818658000	F0228			1
60 3070	FEMALE PLUG	9789141500	F0228		5340143138714	1
60 3140	PLUG	8817506000	F0228		1730144407781	1
60 3160	PLUG, DRAINS	9789400070	F0228		5340143478640	1
60 3180	U30 PLUG	9789400300	F0228		5340121587595	2
60 3310	GUIDE	TM5490G001	F0228		5315145861067	1
60 3320	PROTECTOR NUT	8819832000	F0228			4
60 3340	LIFTING FIXTURES	TM7550G001	F0228			1
60 3340A	BRACKET	TM7550P001	F0228			1
60 3340B	CLAMP	TM7550P002	F0228			1
60 3340C	GUIDE	TM7550P003	F0228			1
60 3340D	SCREW MODIFIED	TM7550P004	F0228			1
70 0010	EXTRACTION MANDREL	8814482000	F0228		5120144103468	1
70 0010A	PLUNGER	8814482001	F0228			1
70 0010B	STAND	8814482002	F0228			1
70 3030	PLUG	TM4575G001	F0228		5340145048273	2
70 3110	PLUG	9789181500	F0228		5340140101190	1
70 3180	PLUG	9789400180	F0228		5340121706447	2
80 0020	CONTAINER, BARE REDUCTION GEAR	8819367000	F0228		8145145308538	1
80 0020A	PLUG	8816389000	F0228			1
80 0020B	PLUG	8819828000	F0228			1
80 0020C	PLUG	TM4589G001	F0228			1
80 0020D	PLUG	8819373000	F0228			1
80 0020E	PLUG	8819372000	F0228			2
80 0020F	PLUG	8819370000	F0228			1
80 0020G	PLUG	TM4585G001	F0228			2
80 0020H	PLUG	TM4584G001	F0228			1
80 0020I	PLUG	TM4583G001	F0228			1
80 0020J	PLUG	TM4582G001	F0228			7
80 0020K	PLUG	8818644000	F0228			1
80 0020L	PLUG	TM4362G001	F0228			1
80 0020M	PLUG, STARTER	8816228000	F0228			1
80 0020N	PLUG	8819645000	F0228			1
80 0020O	PLUG	9561490180	F0228			1
80 0060	PLUG	8818641000	F0228		5340145308537	1
80 0060A	SCREW	9560152620	F0228			6

List by OT No.

Page 6

Oct. 15/2023

00-00-41

# SAFRAN HELICOPTER ENGINES

## ARRIUS 2 F

MAINTENANCE TOOLS CATALOG

OT No.	Description	SAFRAN HELICOPTER ENGINES P/N	Mfr. NATO Code	Manufacturer PIN	NATO P/N	Qty
80 0080	ENGINE MOUNT ASSEMBLY	8819331000	F0228		4920145207025	1
80 0080A	PIN	8810600006	F0228			3
80 0080B	REAR FLANGE	8819331002	F0228			1
80 0080C	H.E. IGNITION UNIT	8818314000	F0228			1
80 0080D	HOISTING BEAM	8819331001	F0228			1
80 0100	CONTAINER, REDUCTION GEARBOX	8819823000	F0228		8145145278791	1
80 0100A	PLUGS KIT	8819823200	F0228			1
80 0120	HANDLING MATCHING	8819454000	F0228			1
80 0130	DRAINING DEVICE	8816520000	F0228			1
80 0130A	PACKING PREFORMED	9681800921	F0228			1
80 0140	DRAINING DEVICE	TM0310G001	F0228		5120145290546	1
80 0140A	PACKING PREFORMED	TM0310P002	F0228			1
80 0150	HOISTING SLING	TM2812G001	F0228		3940145783120	1
80 0150A	HOISTING BEAM	TM2812P001	F0228			3
80 0150B	ARM	TM2812P002	F0228			1
80 0150C	SLING	TM2812P003	F0228			2
80 0180	BARE METALLIC CONTAINER	8819212000	F0228		8145145282956	1
80 0180A	PACKING, PREFORMED	8819212020	F0228			1
80 0180A1	PRESSURE RELIEF VALVE ¼ G	9610053120	F0228			1
80 0180A2	VALVE	9610053100	F0228			1
80 0180A3	HUMIDITY INDICATOR	9610053130	F0228			1
80 0190	DRAINING DEVICE	8818174000	F0228			1
80 0230	SHIPMENT CONTAINER	8242000000	F0228			1
80 0240	PLUG, AIR INTAKE	TM1646G001	F0228			1
80 0280	PLUG	TM5216G001	F0228			1
80 3010	ENGINE CONTAINER	TM5780G001	F0228		8145145778100	1
80 3030	CONTAINER, GAS GENERATOR	TM0582G001	F0228			1
80 3030A	BARE CONTAINER, GAS GENERATOR	TM0582P001	F0228			1
80 3030B	PLUGS, KIT	TM0714G001	F0228			1
80 3030B1	PLUG, INJECTOR	TM4577G001	F0228			10
80 3030B10	PLUG	9789161500	F0228			1
80 3030B11	PLUG	9789141500	F0228			2
80 3030B12	PLUG	9789400120	F0228			1
80 3030B13	PLUG	TM4575G001	F0228			3
80 3030B2	SHIPPING PROTECTOR	8818656000	F0228			1
80 3030B3	PLUG, AIR INTAKE	TM1646G001	F0228			1
80 3030B4	PLUG, EXHAUST CONE	8818658000	F0228			1
80 3030B5	PLUG, OIL	TM4586G001	F0228			5
80 3030B6	PLUG, THERMOCOUPLE	TM4587G001	F0228			6
80 3030B7	PLUG	TM4578G001	F0228			2
80 3030B8	PLUG	TM4574G001	F0228			2
80 3030B9	PLUG	8816389000	F0228			2
80 3140	SHIPMENT BOX	8242001000	F0228			1
80 3160	PLUG	8816389000	F0228			2
80 3170	PLUG	TM4574G001	F0228		5340144427482	1
80 3240	PLUG	TM4577G001	F0228			10
80 3250	PLUG	TM4578G001	F0228			2
80 3270	PLUG, OIL	TM4586G001	F0228			4
80 3280	PLUG, THERMOCOUPLE	TM4587G001	F0228			4
80 3370	SHIPMENT CONTAINER	8242000010	F0228			1

List by OT No.

Page 7

Oct. 15/2023

# SAFRAN HELICOPTER ENGINES

## ARRIUS 2 F

### MAINTENANCE TOOLS CATALOG

<i>OT No.</i>	<i>Description</i>	<i>SAFRAN HELICOPTER ENGINES P/N</i>	<i>Mfr. NATO Code</i>	<i>Manufacturer PIN</i>	<i>NATO P/N</i>	<i>Qty</i>
80 3390	SHIPMENT CONTAINER MODULE 1	8242000270	F0228			1
80 3440	PLUG	9789161500	F0228		5340142131077	1
80 3450	PLUG	9789400220	F0228		5340144462058	1
80 3460	PLUG	TM0086G001	F0228			1
80 3480	PLUG	TM4375G001	F0228		5340145688126	1
80 3500	PLUG	TM4593G001	F0228			1
90 0010	VISCOMETER	8819252000	F0228		6630144765020	1



LIST OF TOOLS BY TOOL NAME

Description	OT No.	SAFRAN HELICOPTER ENGINES P/N	Mfr. NATO Code	Manufacturer PIN	Qty	Application
ACCELEROMETER B&K 8324	40 0410	9610017700	F0228	8324I	1	Tests
ACCELEROMETER ENDEVCO 6233C-10	40 0110	9610046360	F0228		1	Tests
ADAPTATION UNION	40 0190	8819841000	F0228		1	Tests
ADAPTATION UNION	40 0210	8819843000	F0228		1	Tests
ADAPTATION UNION	40 0230	8819842000	F0228		1	Tests
ADAPTATION UNION	40 0250	8818932000	F0228		1	Tests
ADAPTATION UNION	40 0270	8818339000	F0228		1	Tests
ADAPTATION UNION	40 0290	8818340000	F0228		1	Tests
ADAPTER	40 0550	TM5596G001	F0228		1	Tests
AIR INTAKE PLUG	60 0230	8818657000	F0228		1	Removal- Installation
AIRCRAFT POWER SUPPLY CABLE (SMA2.03.10)	40 0120	9610064500	F0228		1	Tests
AIRCRAFT POWER SUPPLY CABLE (SMA2.03.10.2B)	40 0020	9610068900	F0228		1	Tests
ASSEMBLY CONE	50 0010	TM0466G001	F0228		1	Removal- Installation
ASSEMBLY SUPPORT	60 0240	8818381000	F0228		1	Removal- Installation
BARE METALLIC CONTAINER	80 0180	8819212000	F0228		1	Storage
BORESCOPE GUIDE	30 0140	8818684000	F0228		1	Insp. & Check
BORESCOPIIC GUIDE	30 0160	TM1073G001	F0228		1	Insp. & Check
CHECK TOOL	40 0440	TM2446G001	F0228		1	Tests
CONTAINER, BARE REDUCTION GEAR	80 0020	8819367000	F0228		1	Storage
CONTAINER, GAS GENERATOR	80 3030	TM0582G001	F0228		1	Storage
CONTAINER, REDUCTION GEARBOX	80 0100	8819823000	F0228		1	Storage
CONTROL BOX	40 0700	8816445000	F0228		1	Tests
DRAINING DEVICE	80 0130	8816520000	F0228		1	Storage
DRAINING DEVICE	80 0140	TM0310G001	F0228		1	Storage
DRAINING DEVICE	80 0190	8818174000	F0228		1	Storage
ENGINE CONTAINER	80 3010	TM5780G001	F0228		1	Storage
ENGINE MOUNT ASSEMBLY	80 0080	8819331000	F0228		1	Storage
EQUIPPED HEATING CLAMP	40 0500	TM5040G001	F0228		1	Tests
EXTRACTION MANDREL	70 0010	8814482000	F0228		1	Removal- Installation
EXTRACTOR	60 0220	TM1507G001	F0228		1	Removal- Installation
FEMALE PLUG	60 3070	9789141500	F0228		1	Disassembly- Assembly
FLOW LIMITER ASSEMBLY	20 0020	8819505000	F0228		1	Cleaning
GUIDE	60 3310	TM5490G001	F0228		1	Removal- Installation
GUIDE OF BORESCOPE HOSE	30 0120	8819369000	F0228		1	Insp. & Check
HANDLE, SETTING INTO ROTATION	30 0130	8814507000	F0228		1	Insp. & Check
HANDLING MATCHING	80 0120	8819454000	F0228		1	Storage

# SAFRAN HELICOPTER ENGINES

## ARRIUS 2 F

### MAINTENANCE TOOLS CATALOG

Description	OT No.	SAFRAN HELICOPTER ENGINES P/N	Mfr. NATO Code	Manufacturer PIN	Qty	Application
HARNESS	40 0180	8817367000	F0228		1	Tests
HARNESS	40 0200	8819840000	F0228		1	Tests
HARNESS	40 0220	8818341000	F0228		1	Tests
HARNESS	40 0240	8819391000	F0228		1	Tests
HARNESS	40 0260	8816492000	F0228		1	Tests
HARNESS	40 0280	8819393000	F0228		1	Tests
HARNESS	40 0300	8819394000	F0228		1	Tests
HARNESS	40 0570	8818357000	F0228		1	Tests
HARNESS TEST BOX	40 0150	TM4890G002	F0228		1	Tests
HOISTING FORK FITTING ASSEMBLY	60 0120	8819323000	F0228		1	Removal- Installation
HOISTING SLING	80 0150	TM2812G001	F0228		1	Storage
HYDRAULIC PRESSURE GENERATOR	40 0370	TM0807G001	F0228		1	Tests
INSTALLATION TOOL	50 0020	8819849000	F0228		1	Removal- Installation
INSTALLATION TOOL	50 0050	TM7706G001	F0228		1	Removal- Installation
KIT, VIBRATIONS TEST	40 0140	TM0750G010	F0228		1	Tests
KIT, VIBRATIONS TEST B&K 3656-A	40 0460	TM4865G001	F0228		1	Tests
LIFTING FIXTURES	60 3340	TM7550G001	F0228		1	Storage
MAGNETIC SEAL REMOVAL/INSTALLATION TOOL	60 0200	TM0797G002	F0228		1	Removal- Installation
MOULDING	40 0510	TA5150G001	F0228		1	Tests
PIPE	40 0380	TM1330G001	F0228		1	Tests
PIVOTING ADAPTATION	60 0130	8819324000	F0228		1	Removal- Installation
PIVOTING ADAPTATION	60 0140	8819317000	F0228		1	Removal- Installation
PLIERS	60 0480	TM3369G001	F0228		1	Removal- Installation
PLUG	50 3040	TM4585G001	F0228		1	Assembly
PLUG	50 3050	9561490180	F0228		1	Assembly
PLUG	50 3060	TM4582G001	F0228		7	Assembly
PLUG	50 3090	TM4362G001	F0228		1	Assembly
PLUG	50 3130	TM4583G001	F0228		1	Assembly
PLUG	50 3140	TM4584G001	F0228		1	Assembly
PLUG	50 3160	8818656000	F0228		1	Assembly
PLUG	50 3220	8817102000	F0228		2	Assembly
PLUG	50 3230	TM4588G001	F0228		1	Assembly
PLUG	50 3240	TM0084G001	F0228		1	Assembly
PLUG	50 3260	8819830000	F0228		1	Assembly
PLUG	50 3400	9560111050	F6069	GPN610U3RGE	1	Assembly
PLUG	50 3440	9789400050	F0228		1	Assembly
PLUG	50 3450	TM0085G001	F0228		1	Assembly
PLUG	50 3480	8000263900	F0228		1	Assembly
PLUG	50 3490	8813753000	F0228		1	Assembly
PLUG	60 0290	8816854000	F0228		1	Removal- Installation
PLUG	60 3060	8818658000	F0228		1	Disassembly- Assembly
PLUG	60 3140	8817506000	F0228		1	Disassembly- Assembly
PLUG	70 3030	TM4575G001	F0228		2	Disassembly
PLUG	70 3110	9789181500	F0228		1	Disassembly
PLUG	70 3180	9789400180	F0228		2	Disassembly
PLUG	80 0060	8818641000	F0228		1	Storage
PLUG	80 0280	TM5216G001	F0228		1	Removal- Installation
PLUG	80 3160	8816389000	F0228		2	Storage
PLUG	80 3170	TM4574G001	F0228		1	Storage

List by Tool name

Page 2

00-00-42

Oct. 15/2023

# SAFRAN HELICOPTER ENGINES

## ARRIUS 2 F

### MAINTENANCE TOOLS CATALOG

Description	OT No.	SAFRAN HELICOPTER ENGINES P/N	Mfr. NATO Code	Manufacturer PIN	Qty	Application
PLUG	80 3240	TM4577G001	F0228		10	Storage
PLUG	80 3250	TM4578G001	F0228		2	Storage
PLUG	80 3440	9789161500	F0228		1	Storage
PLUG	80 3450	9789400220	F0228		1	Storage
PLUG	80 3460	TM0086G001	F0228		1	Storage
PLUG	80 3480	TM4375G001	F0228		1	Storage
PLUG	80 3500	TM4593G001	F0228		1	Storage
PLUG, AIR INTAKE	80 0240	TM1646G001	F0228		1	Storage
PLUG, DRAINS	60 3160	9789400070	F0228		1	Disassembly- Assembly
PLUG, EXHAUST PIPE	50 3340	8816446000	F0228		1	Assembly
PLUG, OIL	80 3270	TM4586G001	F0228		4	Storage
PLUG, THERMOCOUPLE	80 3280	TM4587G001	F0228		4	Storage
POCKET, MANOMETER	40 0360	TM1609G001	F0228		1	Tests
POSITIONING GAUGE	60 0260	TM4186G001	F0228		1	Removal- Installation
POWER TURBINE	60 0340	8819326000	F0228		1	Removal- Installation
WHEEL REMOVAL/ INSTALLATION TOOL						
PROTECTOR	50 3080	8816228000	F0228		1	Assembly
PROTECTOR NUT	60 3320	8819832000	F0228		4	Disassembly- Assembly
PT WHEEL REMOVAL/ INSTALLATION TOOL	60 0330	8818379000	F0228		1	Removal- Installation
PT WHEEL RUNOUT INSPECTION TOOL	60 0350	TM0454G001	F0228		1	Removal- Installation
REAR CASING SUPPORT REMOVAL / INSTALLATION TOOL	60 0160 60 0060	8818628200 TM1664G001	F0228 F0228		1 1	Removal- Installation Removal- Installation
REMOVAL / INSTALLATION TOOL	60 0180	TM0630G001	F0228		1	Removal- Installation
REMOVAL / INSTALLATION TOOL	60 0190	TM0631G001	F0228		1	Removal- Installation
REMOVAL / INSTALLATION TOOL	60 0490	8813379000	F0228		1	Removal- Installation
REMOVAL / INSTALLATION TOOL, VARILIP SEALS	60 0310	8819349000	F0228		1	Removal- Installation
RETAINER	60 0170	8819384000	F0228		1	Removal- Installation
RETAINING AND GUIDING RING	60 0210	TM0801G002	F0228		1	Removal- Installation
RETAINING RING INSTALLATION TOOL	60 0370	8816758000	F0228		1	Removal- Installation
RETAINING TOOL	50 0030	TM7670G001	F0228		1	Removal- Installation
RETAINING TOOL	50 0040	TM7671G001	F0228		1	Removal- Installation
RIGID BORESCOPE DIA. 5 WITH RETICULE	30 0110	TM0067G001	F0228		1	Insp. & Check
SET OF 5 MM- THREADED ROD EXTRACTORS	60 0070	8810131088	F0228		1	Removal- Installation
SET OF SELF-TEST CONNECTORS	40 0170	8819459000	F0228		1	Tests
SHIPMENT BOX	80 3140	8242001000	F0228		1	Storage
SHIPMENT CONTAINER	80 0230	8242000000	F0228		1	Storage
SHIPMENT CONTAINER	80 3370	8242000010	F0228		1	Storage
SHIPMENT CONTAINER MODULE 1	80 3390	8242000270	F0228		1	Storage

List by Tool name

Page 3

Oct. 15/2023

# SAFRAN HELICOPTER ENGINES

## ARRIUS 2 F

### MAINTENANCE TOOLS CATALOG

<i>Description</i>	<i>OT No.</i>	<i>SAFRAN HELICOPTER ENGINES P/N</i>	<i>Mfr. NATO Code</i>	<i>Manufacturer PIN</i>	<i>Qty</i>	<i>Application</i>
SLEEVE	50 3460	TM0133G001	F0228		1	Assembly
STRIPBOARD CUTTER	60 0250	9610019070	F0228		1	Removal- Installation
SUPPORT	60 0470	TM7346G001	F0228		1	Removal- Installation
SYNTESTER	40 0600	9610064970	F0228		1	Tests
SYNTHAM 2000.4 + PC	40 0130	TM0104G012	F0228		1	Tests
TANK, PRESSURE GENERATOR	20 0010	TM0188G002	F0228		1	Cleaning
TEST, HARNESS	40 0160	TM4894G001	F0228		1	Tests
U30 PLUG	60 3180	9789400300	F0228		2	Disassembly- Assembly
VIBRATION MEASURING KIT B&K 2513	40 0100	8816694000	F0228		1	Tests
VISCOMETER	90 0010	8819252000	F0228		1	Other
WRENCH	60 0150	8819334000	F0228		1	Removal- Installation
WRENCH AND RETAINER	60 0300	8819375000	F0228		1	Removal- Installation

List by Tool name

Page 4

**00-00-42**

Oct. 15/2023

## LIST OF TOOLS BY APPLICATION

<i>Application</i>	<i>OT No.</i>	<i>Description</i>	<i>SAFRAN HELICOPTER ENGINES P/N</i>
Assembly	50 3040	PLUG	TM4585G001
Assembly	50 3050	PLUG	9561490180
Assembly	50 3060	PLUG	TM4582G001
Assembly	50 3080	PROTECTOR	8816228000
Assembly	50 3090	PLUG	TM4362G001
Assembly	50 3130	PLUG	TM4583G001
Assembly	50 3140	PLUG	TM4584G001
Assembly	50 3160	PLUG	8818656000
Assembly	50 3220	PLUG	8817102000
Assembly	50 3230	PLUG	TM4588G001
Assembly	50 3240	PLUG	TM0084G001
Assembly	50 3260	PLUG	8819830000
Assembly	50 3340	PLUG, EXHAUST PIPE	8816446000
Assembly	50 3400	PLUG	9560111050
Assembly	50 3440	PLUG	9789400050
Assembly	50 3450	PLUG	TM0085G001
Assembly	50 3460	SLEEVE	TM0133G001
Assembly	50 3480	PLUG	8000263900
Assembly	50 3490	PLUG	8813753000
Assembly	60 3060	PLUG	8818658000
Assembly	60 3070	FEMALE PLUG	9789141500
Assembly	60 3140	PLUG	8817506000
Assembly	60 3160	PLUG, DRAINS	9789400070
Assembly	60 3180	U30 PLUG	9789400300
Assembly	60 3320	PROTECTOR NUT	8819832000
Cleaning	20 0010	TANK, PRESSURE GENERATOR	TM0188G002
Cleaning	20 0020	FLOW LIMITER ASSEMBLY	8819505000
Disassembly	60 3060	PLUG	8818658000
Disassembly	60 3070	FEMALE PLUG	9789141500
Disassembly	60 3140	PLUG	8817506000
Disassembly	60 3160	PLUG, DRAINS	9789400070
Disassembly	60 3180	U30 PLUG	9789400300
Disassembly	60 3320	PROTECTOR NUT	8819832000
Disassembly	70 3030	PLUG	TM4575G001
Disassembly	70 3110	PLUG	9789181500
Disassembly	70 3180	PLUG	9789400180
Insp. & Check	30 0110	RIGID BORESCOPE DIA. 5 WITH RETICULE	TM0067G001
Insp. & Check	30 0120	GUIDE OF BORESCOPE HOSE	8819369000
Insp. & Check	30 0130	HANDLE, SETTING INTO ROTATION	8814507000
Insp. & Check	30 0140	BORESCOPE GUIDE	8818684000
Insp. & Check	30 0160	BORESCOPIIC GUIDE	TM1073G001
Installation	50 0010	ASSEMBLY CONE	TM0466G001
Installation	50 0020	INSTALLATION TOOL	8819849000
Installation	50 0030	RETAINING TOOL	TM7670G001
Installation	50 0040	RETAINING TOOL	TM7671G001
Installation	50 0050	INSTALLATION TOOL	TM7706G001
Installation	60 0060	REMOVAL / INSTALLATION TOOL	TM1664G001
Installation	60 0070	SET OF 5 MM-THREADED ROD EXTRACTORS	8810131088
Installation	60 0120	HOISTING FORK FITTING ASSEMBLY	8819323000
Installation	60 0130	PIVOTING ADAPTATION	8819324000
Installation	60 0140	PIVOTING ADAPTATION	8819317000

# SAFRAN HELICOPTER ENGINES

## ARRIUS 2 F

### MAINTENANCE TOOLS CATALOG

<i>Application</i>	<i>OT No.</i>	<i>Description</i>	<i>SAFRAN HELICOPTER ENGINES P/N</i>
Installation	60 0150	WRENCH	8819334000
Installation	60 0160	REAR CASING SUPPORT	8818628200
Installation	60 0170	RETAINER	8819384000
Installation	60 0180	REMOVAL / INSTALLATION TOOL	TM0630G001
Installation	60 0190	REMOVAL / INSTALLATION TOOL	TM0631G001
Installation	60 0200	MAGNETIC SEAL REMOVAL/INSTALLATION TOOL	TM0797G002
Installation	60 0210	RETAINING AND GUIDING RING	TM0801G002
Installation	60 0220	EXTRACTOR	TM1507G001
Installation	60 0230	AIR INTAKE PLUG	8818657000
Installation	60 0240	ASSEMBLY SUPPORT	8818381000
Installation	60 0250	STRIPBOARD CUTTER	9610019070
Installation	60 0260	POSITIONING GAUGE	TM4186G001
Installation	60 0290	PLUG	8816854000
Installation	60 0300	WRENCH AND RETAINER	8819375000
Installation	60 0310	REMOVAL / INSTALLATION TOOL, VARILIP SEALS	8819349000
Installation	60 0330	PT WHEEL REMOVAL/INSTALLATION TOOL	8818379000
Installation	60 0340	POWER TURBINE WHEEL REMOVAL/INSTALLATION TOOL	8819326000
Installation	60 0350	PT WHEEL RUNOUT INSPECTION TOOL	TM0454G001
Installation	60 0370	RETAINING RING INSTALLATION TOOL	8816758000
Installation	60 0470	SUPPORT	TM7346G001
Installation	60 0480	PLIERS	TM3369G001
Installation	60 0490	REMOVAL / INSTALLATION TOOL	8813379000
Installation	60 3310	GUIDE	TM5490G001
Installation	70 0010	EXTRACTION MANDREL	8814482000
Installation	80 0280	PLUG	TM5216G001
Other	90 0010	VISCOMETER	8819252000
Removal	50 0010	ASSEMBLY CONE	TM0466G001
Removal	50 0020	INSTALLATION TOOL	8819849000
Removal	50 0030	RETAINING TOOL	TM7670G001
Removal	50 0040	RETAINING TOOL	TM7671G001
Removal	50 0050	INSTALLATION TOOL	TM7706G001
Removal	60 0060	REMOVAL / INSTALLATION TOOL	TM1664G001
Removal	60 0070	SET OF 5 MM-THREADED ROD EXTRACTORS	8810131088
Removal	60 0120	HOISTING FORK FITTING ASSEMBLY	8819323000
Removal	60 0130	PIVOTING ADAPTATION	8819324000
Removal	60 0140	PIVOTING ADAPTATION	8819317000
Removal	60 0150	WRENCH	8819334000
Removal	60 0160	REAR CASING SUPPORT	8818628200
Removal	60 0170	RETAINER	8819384000
Removal	60 0180	REMOVAL / INSTALLATION TOOL	TM0630G001
Removal	60 0190	REMOVAL / INSTALLATION TOOL	TM0631G001
Removal	60 0200	MAGNETIC SEAL REMOVAL/INSTALLATION TOOL	TM0797G002
Removal	60 0210	RETAINING AND GUIDING RING	TM0801G002
Removal	60 0220	EXTRACTOR	TM1507G001
Removal	60 0230	AIR INTAKE PLUG	8818657000
Removal	60 0240	ASSEMBLY SUPPORT	8818381000
Removal	60 0250	STRIPBOARD CUTTER	9610019070
Removal	60 0260	POSITIONING GAUGE	TM4186G001
Removal	60 0290	PLUG	8816854000
Removal	60 0300	WRENCH AND RETAINER	8819375000
Removal	60 0310	REMOVAL / INSTALLATION TOOL, VARILIP SEALS	8819349000
Removal	60 0330	PT WHEEL REMOVAL/INSTALLATION TOOL	8818379000
Removal	60 0340	POWER TURBINE WHEEL REMOVAL/INSTALLATION TOOL	8819326000
Removal	60 0350	PT WHEEL RUNOUT INSPECTION TOOL	TM0454G001

List by Application

Page 2

00-00-43

Oct. 15/2023

# SAFRAN HELICOPTER ENGINES

## ARRIUS 2 F

MAINTENANCE TOOLS CATALOG

<i>Application</i>	<i>OT No.</i>	<i>Description</i>	<i>SAFRAN HELICOPTER ENGINES P/N</i>
Removal	60 0370	RETAINING RING INSTALLATION TOOL	8816758000
Removal	60 0470	SUPPORT	TM7346G001
Removal	60 0480	PLIERS	TM3369G001
Removal	60 0490	REMOVAL / INSTALLATION TOOL	8813379000
Removal	60 3310	GUIDE	TM5490G001
Removal	70 0010	EXTRACTION MANDREL	8814482000
Removal	80 0280	PLUG	TM5216G001
Storage	60 3340	LIFTING FIXTURES	TM7550G001
Storage	80 0020	CONTAINER, BARE REDUCTION GEAR	8819367000
Storage	80 0060	PLUG	8818641000
Storage	80 0080	ENGINE MOUNT ASSEMBLY	8819331000
Storage	80 0100	CONTAINER, REDUCTION GEARBOX	8819823000
Storage	80 0120	HANDLING MATCHING	8819454000
Storage	80 0130	DRAINING DEVICE	8816520000
Storage	80 0140	DRAINING DEVICE	TM0310G001
Storage	80 0150	HOISTING SLING	TM2812G001
Storage	80 0180	BARE METALLIC CONTAINER	8819212000
Storage	80 0190	DRAINING DEVICE	8818174000
Storage	80 0230	SHIPMENT CONTAINER	8242000000
Storage	80 0240	PLUG, AIR INTAKE	TM1646G001
Storage	80 3010	ENGINE CONTAINER	TM5780G001
Storage	80 3030	CONTAINER, GAS GENERATOR	TM0582G001
Storage	80 3140	SHIPMENT BOX	8242001000
Storage	80 3160	PLUG	8816389000
Storage	80 3170	PLUG	TM4574G001
Storage	80 3240	PLUG	TM4577G001
Storage	80 3250	PLUG	TM4578G001
Storage	80 3270	PLUG, OIL	TM4586G001
Storage	80 3280	PLUG, THERMOCOUPLE	TM4587G001
Storage	80 3370	SHIPMENT CONTAINER	8242000010
Storage	80 3390	SHIPMENT CONTAINER MODULE 1	8242000270
Storage	80 3440	PLUG	9789161500
Storage	80 3450	PLUG	9789400220
Storage	80 3460	PLUG	TM0086G001
Storage	80 3480	PLUG	TM4375G001
Storage	80 3500	PLUG	TM4593G001
Tests	40 0020	AIRCRAFT POWER SUPPLY CABLE (SMA2.03.10.2B)	9610068900
Tests	40 0100	VIBRATION MEASURING KIT B&K 2513	8816694000
Tests	40 0110	ACCELEROMETER ENDEVCO 6233C-10	9610046360
Tests	40 0120	AIRCRAFT POWER SUPPLY CABLE (SMA2.03.10)	9610064500
Tests	40 0130	SYNTHAM 2000.4 + PC	TM0104G012
Tests	40 0140	KIT, VIBRATIONS TEST	TM0750G010
Tests	40 0150	HARNESS TEST BOX	TM4890G002
Tests	40 0160	TEST, HARNESS	TM4894G001
Tests	40 0170	SET OF SELF-TEST CONNECTORS	8819459000
Tests	40 0180	HARNESS	8817367000
Tests	40 0190	ADAPTATION UNION	8819841000
Tests	40 0200	HARNESS	8819840000
Tests	40 0210	ADAPTATION UNION	8819843000
Tests	40 0220	HARNESS	8818341000
Tests	40 0230	ADAPTATION UNION	8819842000
Tests	40 0240	HARNESS	8819391000
Tests	40 0250	ADAPTATION UNION	8818932000
Tests	40 0260	HARNESS	8816492000
Tests	40 0270	ADAPTATION UNION	8818339000
Tests	40 0280	HARNESS	8819393000

List by Application

Page 3

00-00-43

Oct. 15/2023

<i>Application</i>	<i>OT No.</i>	<i>Description</i>	<i>SAFRAN HELICOPTER ENGINES P/N</i>
Tests	40 0290	ADAPTATION UNION	8818340000
Tests	40 0300	HARNESS	8819394000
Tests	40 0360	POCKET, MANOMETER	TM1609G001
Tests	40 0370	HYDRAULIC PRESSURE GENERATOR	TM0807G001
Tests	40 0380	PIPE	TM1330G001
Tests	40 0410	ACCELEROMETER B&K 8324	9610017700
Tests	40 0440	CHECK TOOL	TM2446G001
Tests	40 0460	KIT, VIBRATIONS TEST B&K 3656-A	TM4865G001
Tests	40 0500	EQUIPPED HEATING CLAMP	TM5040G001
Tests	40 0510	MOULDING	TA5150G001
Tests	40 0550	ADAPTER	TM5596G001
Tests	40 0570	HARNESS	8818357000
Tests	40 0600	SYNTESTER	9610064970
Tests	40 0700	CONTROL BOX	8816445000



## LIST OF CALIBRATION / INSPECTION REQUIREMENT BY OT NUMBER

<i>OT No.</i>	<i>Description</i>	<i>Periodicity value of calibration / inspection requirement</i>	<i>Responsability</i>	<i>Functional criteria check</i>
40 0100	VIBRATION MEASURING KIT B&K 2513	12	Customer/Subsidiary	N/A
40 0110	ACCELEROMETER ENDEVCO 6233C-10	12	Customer/Subsidiary	N/A
40 0130	SYNTHAM 2000.4 + PC	12	Customer/Subsidiary	N/A
40 0140	KIT, VIBRATIONS TEST	12	Customer/Subsidiary	N/A
40 0360	POCKET, MANOMETER	12	Customer/Subsidiary	N/A
40 0410	ACCELEROMETER B&K 8324	12	Customer/Subsidiary	N/A
40 0460	KIT, VIBRATIONS TEST B&K 3656-A	12	Customer/Subsidiary	N/A
60 0120	HOISTING FORK FITTING ASSEMBLY	12	Customer/Subsidiary	N/A
60 0260	POSITIONING GAUGE	60	Customer/Subsidiary	N/A
60 3340	LIFTING FIXTURES	12	Customer/Subsidiary	N/A
80 0150	HOISTING SLING	12	Customer/Subsidiary	N/A

**PAGE LEFT BLANK INTENTIONALLY**

**ARRIUS 2 F**

**LIST OF SAFRAN HELICOPTER ENGINES PART NUMBER RELATIONSHIPS**

<b>SAFRAN HELICOPTER ENGINES P/N</b>	<b>Is superseded by the SAFRAN HELICOPTER ENGINES P/N</b>	<b>Alternate P/N</b>	<b>Supersedes the SAFRAN HELICOPTER ENGINES P/N</b>
8000263900			
8242000000			
8242000010			
8242000270			
8242001000		8242000300, 8242000320	
8810131088			
8813379000			
8813753000			
8814482000			
8814507000			
8816228000			
8816389000			
8816445000			
8816446000		TM7637G001	
8816492000			
8816520000			8819450000
8816694000			
8816758000			
8816854000			
8817102000			
8817367000			
8817506000			
8818174000			
8818339000			
8818340000			
8818341000			
8818357000			
8818379000			
8818381000			
8818628200			
8818641000			
8818656000			
8818657000		TM1646G001	
8818658000			
8818684000			
8818932000			
8819212000			
8819252000			
8819317000			
8819323000			
8819324000			
8819326000			
8819331000			
8819334000			
8819349000			
8819367000			

# SAFRAN HELICOPTER ENGINES

## ARRIUS 2 F

### MAINTENANCE TOOLS CATALOG

SAFRAN HELICOPTER ENGINES P/N	<i>Is superseded by the SAFRAN HELICOPTER ENGINES P/N</i>	<i>Alternate P/N</i>	<i>Supersedes the SAFRAN HELICOPTER ENGINES P/N</i>
8819369000	8816520000		
8819375000			
8819384000			
8819391000			
8819393000			
8819394000			
8819450000			
8819454000			
8819459000			
8819505000			
8819823000			
8819830000			
8819832000			
8819840000			
8819841000			
8819842000			
8819843000			
8819849000			
9560111050			
9561490180			
9610017700			
9610019070			
9610046360			
9610064500			
9610064970			
9610068900			
9789141500			
9789161500			
9789181500			
9789400050			
9789400070			
9789400180			
9789400220			
9789400300			
TA5150G001			
TM0067G001			
TM0084G001			
TM0085G001			
TM0086G001			
TM0104G012			
TM0133G001			
TM0188G002			
TM0310G001			
TM0454G001			
TM0466G001			
TM0582G001			
TM0630G001			
TM0631G001			
		TM0104G011, TM0104G010	
		TM0188G001, 8816183000	
		8818620000	

#### List of Safran Helicopter Engines Part Number relationships

# SAFRAN HELICOPTER ENGINES

## ARRIUS 2 F

MAINTENANCE TOOLS CATALOG

SAFRAN HELICOPTER ENGINES P/N	<i>Is superseded by the SAFRAN HELICOPTER ENGINES P/N</i>	<i>Alternate P/N</i>	<i>Supersedes the SAFRAN HELICOPTER ENGINES P/N</i>
TM0750G010			
TM0797G002		TM0797G001	
TM0801G002		TM0801G001	
TM0807G001		8818870000	
TM1073G001			
TM1330G001			
TM1507G001			
TM1609G001			
TM1646G001		8818457000, TM0831G001	
TM1664G001		8818657000	
TM2446G001			
TM2812G001		8818632000, 8818368000, TM6721G001	
TM3369G001			
TM4186G001			
TM4362G001			
TM4375G001			
TM4574G001		8816436000	
TM4575G001			
TM4577G001		TM5542G001	
TM4578G001			
TM4582G001			
TM4583G001			
TM4584G001			
TM4585G001			
TM4586G001			
TM4587G001			
TM4588G001			
TM4593G001			
TM4865G001			
TM4890G002		8819925000	
TM4894G001		8819457000	
TM5040G001			
TM5216G001			
TM5490G001			
TM5596G001			
TM5780G001			
TM7346G001			
TM7550G001			
TM7670G001			
TM7671G001			
TM7706G001			

**PAGE LEFT BLANK INTENTIONALLY**

## LIST OF EFFECTIVE PAGES

<u>OT No.</u>	<u>Description</u>	<u>Pages</u>	<u>Date</u>
OT	LIST OF EFFECTIVE PAGES	* 1 - 8	Oct. 15/2023
20 0010	TANK, PRESSURE GENERATOR	0 1	Apr. 15/2021 Apr. 15/2021
20 0020	FLOW LIMITER ASSEMBLY	0 1	Apr. 15/2019 Apr. 15/2019
30 0110	RIGID BORESCOPE DIA. 5 WITH RETICULE	0 1	Aug. 30/2011 Aug. 30/2011
30 0120	GUIDE OF BORESCOPE HOSE	0 1	Aug. 30/2011 Aug. 30/2011
30 0130	HANDLE, SETTING INTO ROTATION	0 1	Aug. 30/2011 Aug. 30/2011
30 0140	BORESCOPE GUIDE	0 1	Oct. 15/2019 Oct. 15/2019
30 0160	BORESCOPIC GUIDE	0 1	Aug. 30/2011 Aug. 30/2011
40 0020	AIRCRAFT POWER SUPPLY CABLE (SMA2.03.10.2B)	0 1	Oct. 15/2021 Oct. 15/2021
40 0100	VIBRATION MEASURING KIT B&K 2513	0 1	Oct. 15/2021 Oct. 15/2021
40 0110	ACCELEROMETER ENDEVCO 6233C-10	0 1	Oct. 15/2021 Oct. 15/2021
40 0120	AIRCRAFT POWER SUPPLY CABLE (SMA2.03.10)	0 1	Aug. 30/2011 Aug. 30/2011
40 0130	SYNTHAM 2000.4 + PC	0 1	Apr. 15/2020 Apr. 15/2020
40 0140	KIT, VIBRATIONS TEST	0 1	Oct. 15/2021 Oct. 15/2021
40 0150	HARNESS TEST BOX	0 1	Apr. 15/2020 Apr. 15/2020
40 0160	TEST, HARNESS	0 1	Aug. 30/2013 Aug. 30/2013
40 0170	SET OF SELF-TEST CONNECTORS	0 1	Aug. 30/2013 Aug. 30/2013

\* Page modified following update No. 34

# SAFRAN HELICOPTER ENGINES

## ARRIUS 2 F

### MAINTENANCE TOOLS CATALOG

<u>OT No.</u>	<u>Description</u>	<u>Pages</u>	<u>Date</u>
40 0180	HARNESS	0 1	Aug. 30/2011 Aug. 30/2011
40 0190	ADAPTATION UNION	0 1	Aug. 30/2011 Aug. 30/2011
40 0200	HARNESS	0 1	Aug. 30/2011 Aug. 30/2011
40 0210	ADAPTATION UNION	0 1	Aug. 30/2011 Aug. 30/2011
40 0220	HARNESS	0 1	Aug. 30/2011 Aug. 30/2011
40 0230	ADAPTATION UNION	0 1	Aug. 30/2011 Aug. 30/2011
40 0240	HARNESS	0 1	Aug. 30/2012 Aug. 30/2012
40 0250	ADAPTATION UNION	0 1	Aug. 30/2011 Aug. 30/2011
40 0260	HARNESS	0 1	Aug. 30/2011 Aug. 30/2011
40 0270	ADAPTATION UNION	0 1	Aug. 30/2011 Aug. 30/2011
40 0280	HARNESS	0 1	Aug. 30/2012 Aug. 30/2012
40 0290	ADAPTATION UNION	0 1	Feb. 28/2014 Feb. 28/2014
40 0300	HARNESS	0 1	Aug. 30/2011 Aug. 30/2011
40 0360	POCKET, MANOMETER	0 1	Oct. 15/2019 Oct. 15/2019
40 0370	HYDRAULIC PRESSURE GENERATOR	0 1	Aug. 30/2011 Aug. 30/2011
40 0380	PIPE	0 1	Sept. 30/2017 Sept. 30/2017
40 0410	ACCELEROMETER B&K 8324	0 1	Oct. 15/2021 Oct. 15/2021
40 0440	CHECK TOOL	0	Aug. 30/2011

\* Page modified following update No. 34

**List of Effective Pages**

Page 2

**OT**

Oct. 15/2023



# SAFRAN HELICOPTER ENGINES

## ARRIUS 2 F

### MAINTENANCE TOOLS CATALOG

<u>OT No.</u>	<u>Description</u>	<u>Pages</u>	<u>Date</u>
		1	Aug. 30/2011
40 0460	KIT, VIBRATIONS TEST B&K 3656-A	0 1	Oct. 15/2021 Oct. 15/2021
40 0500	EQUIPPED HEATING CLAMP	0 1	Sept. 30/2017 Sept. 30/2017
40 0510	MOULDING	0 1	Sept. 30/2017 Sept. 30/2017
40 0550	ADAPTER	0 1	Aug. 30/2013 Aug. 30/2013
40 0570	HARNESS	0 1	Aug. 30/2013 Aug. 30/2013
40 0600	SYNTESTER	0 1	Oct. 15/2021 Oct. 15/2021
40 0700	CONTROL BOX	0 1	Apr. 15/2019 Apr. 15/2019
50 0010	ASSEMBLY CONE	0 1	Apr. 15/2020 Apr. 15/2020
50 0020	INSTALLATION TOOL	0 1	Apr. 15/2020 Apr. 15/2020
50 0030	RETAINING TOOL	0 1	Apr. 15/2020 Apr. 15/2020
50 0040	RETAINING TOOL	0 1	Apr. 15/2020 Apr. 15/2020
50 0050	INSTALLATION TOOL	0 1	Apr. 15/2020 Apr. 15/2020
50 3040	PLUG	0 1	Apr. 15/2020 Apr. 15/2020
50 3050	PLUG	0 1	Sept. 30/2017 Sept. 30/2017
50 3060	PLUG	0 1	Apr. 15/2020 Apr. 15/2020
50 3080	PROTECTOR	0 1	Sept. 30/2017 Sept. 30/2017
50 3090	PLUG	0 1	Apr. 15/2020 Apr. 15/2020

\* Page modified following update No. 34

# SAFRAN HELICOPTER ENGINES

## ARRIUS 2 F

### MAINTENANCE TOOLS CATALOG

<u>OT No.</u>	<u>Description</u>	<u>Pages</u>	<u>Date</u>
50 3130	PLUG	0 1	Apr. 15/2020 Apr. 15/2020
50 3140	PLUG	0 1	Apr. 15/2020 Apr. 15/2020
50 3160	PLUG	0 1	Apr. 15/2020 Apr. 15/2020
50 3220	PLUG	0 1	Apr. 15/2020 Apr. 15/2020
50 3230	PLUG	0 1	Apr. 15/2020 Apr. 15/2020
50 3240	PLUG	0 1	Apr. 15/2020 Apr. 15/2020
50 3260	PLUG	0 1	Apr. 15/2020 Apr. 15/2020
50 3340	PLUG, EXHAUST PIPE	0 1	Apr. 15/2021 Apr. 15/2021
50 3400	PLUG	0 1	Apr. 15/2020 Apr. 15/2020
50 3440	PLUG	0 1	Sept. 30/2017 Sept. 30/2017
50 3450	PLUG	0 1	Apr. 15/2020 Apr. 15/2020
50 3460	SLEEVE	0 1	Sept. 30/2017 Sept. 30/2017
50 3480	PLUG	0 1	Apr. 15/2020 Apr. 15/2020
50 3490	PLUG	0 1	Apr. 15/2020 Apr. 15/2020
60 0060	REMOVAL / INSTALLATION TOOL	0 1	Aug. 30/2011 Aug. 30/2011
60 0070	SET OF 5 MM-THREADED ROD EXTRACTORS	0 1	Apr. 15/2020 Apr. 15/2020
60 0120	HOISTING FORK FITTING ASSEMBLY	0 1	Aug. 30/2011 Aug. 30/2011
60 0130	PIVOTING ADAPTATION	0	Oct. 15/2019

\* Page modified following update No. 34

List of Effective Pages

Page 4

**OT**

Oct. 15/2023

<u>OT No.</u>	<u>Description</u>	<u>Pages</u>	<u>Date</u>
		1	Oct. 15/2019
60 0140	PIVOTING ADAPTATION	0	Aug. 30/2011
		1	Aug. 30/2011
60 0150	WRENCH	* 0	Oct. 15/2023
		* 1	Oct. 15/2023
60 0160	REAR CASING SUPPORT	0	Aug. 30/2011
		1	Aug. 30/2011
60 0170	RETAINER	0	Aug. 30/2011
		1	Aug. 30/2011
60 0180	REMOVAL / INSTALLATION TOOL	0	Oct. 15/2022
		1	Oct. 15/2022
60 0190	REMOVAL / INSTALLATION TOOL	0	Oct. 15/2022
		1	Oct. 15/2022
60 0200	MAGNETIC SEAL REMOVAL/INSTALLATION TOOL	0	Apr. 15/2018
		1	Apr. 15/2018
60 0210	RETAINING AND GUIDING RING	0	Aug. 30/2011
		1	Aug. 30/2011
60 0220	EXTRACTOR	0	Aug. 30/2011
		1	Aug. 30/2011
60 0230	AIR INTAKE PLUG	0	Apr. 15/2020
		1	Apr. 15/2020
60 0240	ASSEMBLY SUPPORT	0	Aug. 30/2011
		1	Aug. 30/2011
60 0250	STRIPBOARD CUTTER	0	Aug. 30/2012
		1	Aug. 30/2012
60 0260	POSITIONING GAUGE	0	Apr. 15/2018
		1	Apr. 15/2018
60 0290	PLUG	0	Apr. 15/2020
		1	Apr. 15/2020
60 0300	WRENCH AND RETAINER	0	Aug. 30/2011
		1	Aug. 30/2011
60 0310	REMOVAL / INSTALLATION TOOL, VARILIP SEALS	0	Aug. 30/2011
		1	Aug. 30/2011
60 0330	PT WHEEL REMOVAL/INSTALLATION TOOL	0	Aug. 30/2011
		1	Aug. 30/2011

\* Page modified following update No. 34

# SAFRAN HELICOPTER ENGINES

## ARRIUS 2 F

### MAINTENANCE TOOLS CATALOG

<u>OT No.</u>	<u>Description</u>	<u>Pages</u>	<u>Date</u>
60 0340	POWER TURBINE WHEEL REMOVAL/INSTALLATION TOOL	0 1	Aug. 30/2011 Aug. 30/2011
60 0350	PT WHEEL RUNOUT INSPECTION TOOL	0 1	Aug. 30/2011 Aug. 30/2011
60 0370	RETAINING RING INSTALLATION TOOL	0 1	Aug. 30/2011 Aug. 30/2011
60 0470	SUPPORT	0 1	Apr. 15/2020 Apr. 15/2020
60 0480	PLIERS	0 1	Apr. 15/2020 Apr. 15/2020
60 0490	REMOVAL / INSTALLATION TOOL	0 1	Apr. 15/2020 Apr. 15/2020
60 3060	PLUG	0 1	Apr. 15/2020 Apr. 15/2020
60 3070	FEMALE PLUG	0 1	Sept. 30/2017 Sept. 30/2017
60 3140	PLUG	0 1	Apr. 15/2020 Apr. 15/2020
60 3160	PLUG, DRAINS	0 1	Apr. 15/2020 Apr. 15/2020
60 3180	U30 PLUG	0 1	Sept. 30/2017 Sept. 30/2017
60 3310	GUIDE	0 1	Oct. 15/2022 Oct. 15/2022
60 3320	PROTECTOR NUT	0 1	Sept. 30/2017 Sept. 30/2017
60 3340	LIFTING FIXTURES	0 1	Apr. 15/2020 Apr. 15/2020
70 0010	EXTRACTION MANDREL	0 1	Apr. 15/2020 Apr. 15/2020
70 3030	PLUG	0 1	Apr. 15/2020 Apr. 15/2020
70 3110	PLUG	0 1	Apr. 15/2020 Apr. 15/2020
70 3180	PLUG	0	Apr. 15/2020

\* Page modified following update No. 34

List of Effective Pages

Page 6

**OT**

Oct. 15/2023

# SAFRAN HELICOPTER ENGINES

## ARRIUS 2 F

### MAINTENANCE TOOLS CATALOG

<u>OT No.</u>	<u>Description</u>	<u>Pages</u>	<u>Date</u>
		1	Apr. 15/2020
80 0020	CONTAINER, BARE REDUCTION GEAR	0	Apr. 15/2020
		1	Apr. 15/2020
80 0060	PLUG	0	Apr. 15/2020
		1	Apr. 15/2020
80 0080	ENGINE MOUNT ASSEMBLY	0	Apr. 15/2020
		1	Apr. 15/2020
80 0100	CONTAINER, REDUCTION GEARBOX	0	Apr. 15/2020
		1	Apr. 15/2020
80 0120	HANDLING MATCHING	0	Oct. 15/2019
		1	Oct. 15/2019
80 0130	DRAINING DEVICE	0	Apr. 15/2018
		1	Apr. 15/2018
80 0140	DRAINING DEVICE	0	Apr. 15/2018
		1	Apr. 15/2018
80 0150	HOISTING SLING	0	Oct. 15/2021
		1	Oct. 15/2021
80 0180	BARE METALLIC CONTAINER	0	Aug. 30/2014
		1	Aug. 30/2014
80 0190	DRAINING DEVICE	0	Oct. 15/2019
		1	Oct. 15/2019
80 0230	SHIPMENT CONTAINER	0	Sept. 30/2017
		1	Sept. 30/2017
80 0240	PLUG, AIR INTAKE	0	Oct. 15/2022
		1	Oct. 15/2022
80 0280	PLUG	0	Apr. 15/2020
		1	Apr. 15/2020
80 3010	ENGINE CONTAINER	0	Sept. 30/2017
		1	Sept. 30/2017
80 3030	CONTAINER, GAS GENERATOR	0	Apr. 15/2020
		1	Apr. 15/2020
80 3140	SHIPMENT BOX	0	Apr. 15/2020
		1	Apr. 15/2020
80 3160	PLUG	0	Apr. 15/2020
		1	Apr. 15/2020

\* Page modified following update No. 34

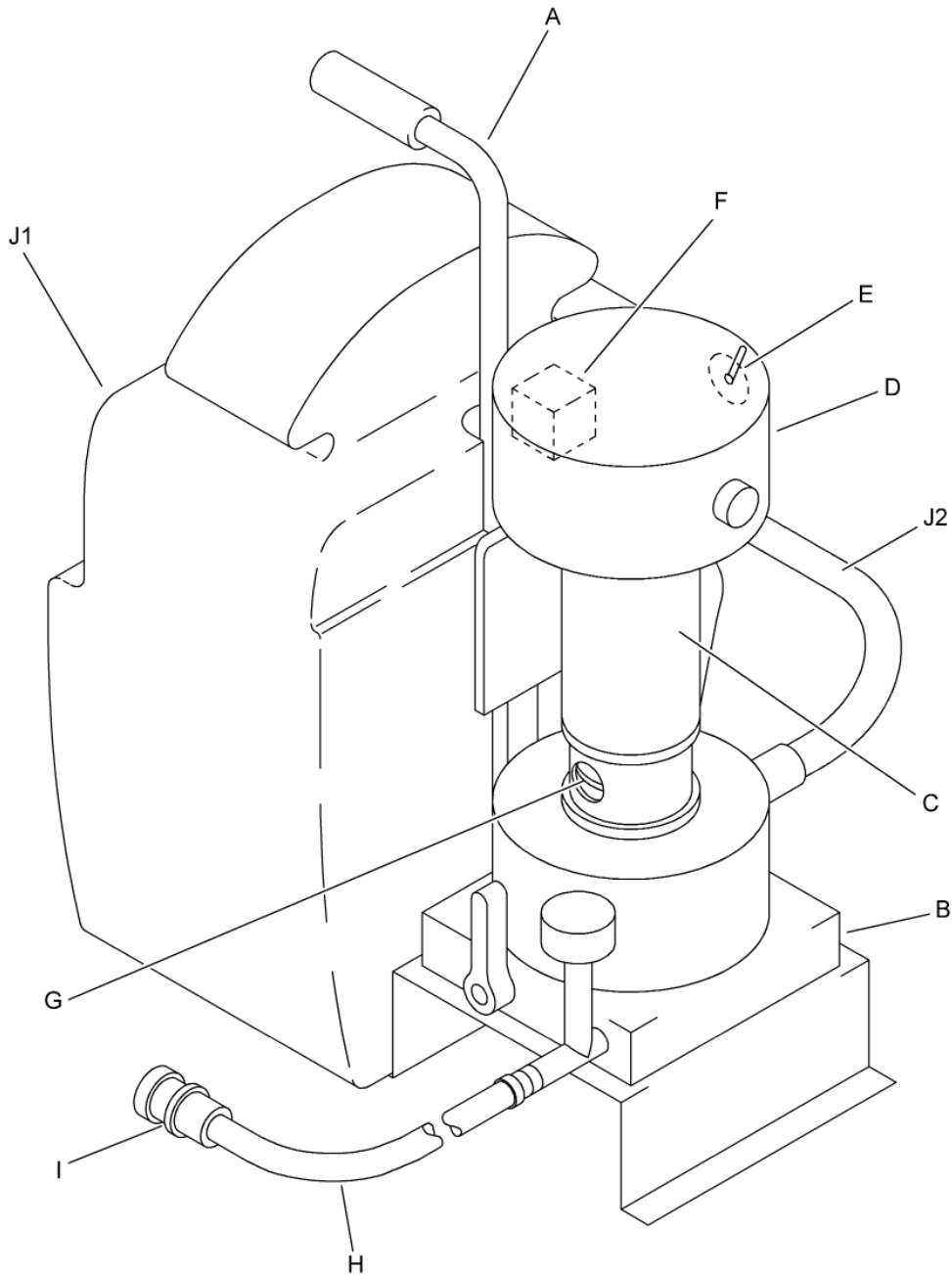
<u>OT No.</u>	<u>Description</u>	<u>Pages</u>	<u>Date</u>
80 3170	PLUG	0 1	Apr. 15/2020 Apr. 15/2020
80 3240	PLUG	0 1	Apr. 15/2020 Apr. 15/2020
80 3250	PLUG	0 1	Apr. 15/2020 Apr. 15/2020
80 3270	PLUG, OIL	0 1	Apr. 15/2020 Apr. 15/2020
80 3280	PLUG, THERMOCOUPLE	0 1	Apr. 15/2020 Apr. 15/2020
80 3370	SHIPMENT CONTAINER	0 1	Sept. 30/2017 Sept. 30/2017
80 3390	SHIPMENT CONTAINER MODULE 1	0 1	Oct. 15/2019 Oct. 15/2019
80 3440	PLUG	0 1	Sept. 30/2017 Sept. 30/2017
80 3450	PLUG	0 1	Sept. 30/2017 Sept. 30/2017
80 3460	PLUG	0 1	Apr. 15/2020 Apr. 15/2020
80 3480	PLUG	0 1	Apr. 15/2020 Apr. 15/2020
80 3500	PLUG	0 1	Apr. 15/2020 Apr. 15/2020
90 0010	VISCOMETER	0 1	Aug. 30/2011 Aug. 30/2011

\* Page modified following update No. 34

# **ILLUSTRATED TOOLS LIST**

TM0188G002

Description: TANK, PRESSURE GENERATOR





# SAFRAN HELICOPTER ENGINES

## ARRIUS 2 F

MAINTENANCE TOOLS CATALOG

Description	Part Number
TANK, PRESSURE GENERATOR	TM0188G002

<i>This tool replaces the tool</i>
------------------------------------

Supply code	Calibration frequency	Functional criteria check
3 - 2	N/A	N/A

<b>Use</b>	Tool used to rinsing and cleaning the centrifugal compressor. It is connected to the pipe installed on the engine.
------------	--

<b>Use particularity</b>	The tool is equipped with standard (electrical, hydraulic) connectors. An adaptation may be necessary to connect to the (electrical, hydraulic) interfaces specific to each airframe.
--------------------------	---

Alternate	Part Number	Description
	TM0188G001, 8816183000	TANK, PRESSURE GENERATOR

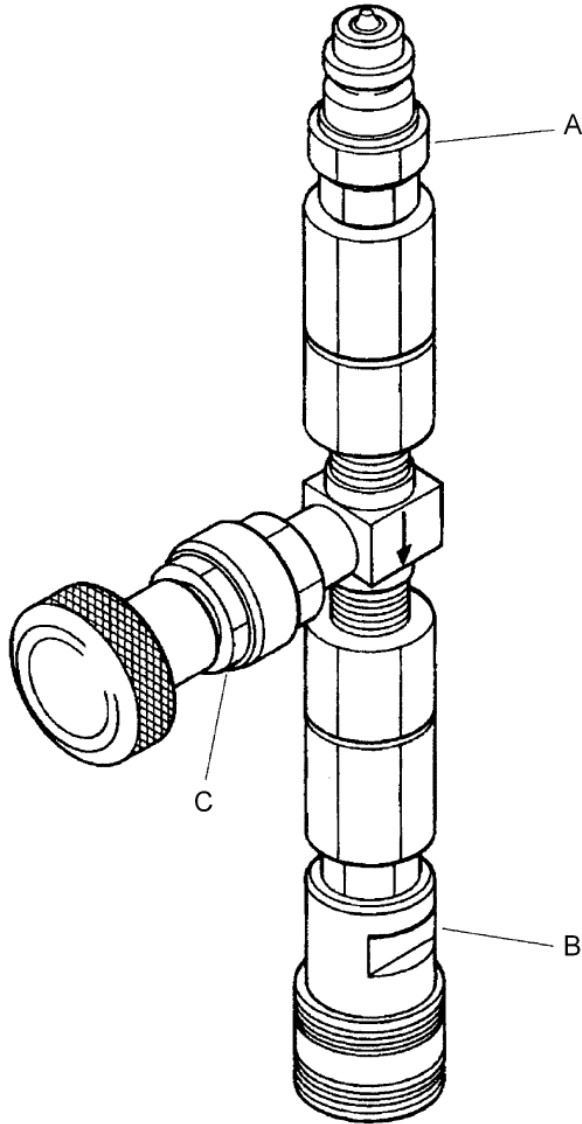
TOOL				P/N	DESCRIPTION	QTY
OT No.	Ind.	Ind.		1 2 3		
20 0010				TM0188G002	TANK, PRESSURE GENERATOR	1
20 0010	A			TM0188P132	. CHASSIS	1
20 0010	B			TM0188P102	. PUMP	1
20 0010	C			TM0188P133	. ELECTRIC MOTOR	1
20 0010	D			TM0188P105	. COVER	1
20 0010	E			TM0188P126	. SWITCH (LS-1806158)	1
20 0010	F			TM0188P127	. RELAY 24V-20A (LS-1806160)	1
20 0010	G			TM0188P123	. COUPLING (LS-1806213)	1
20 0010	H			TM0188P103	. EQUIPPED PIPE	1
20 0010	I			9560153370	. ADAPTOR	1
- 20 0010	J			TM0188G201	. EQUIPPED TANK	1
20 0010	J	1		TM0188P202	. . TANK	1
20 0010	J	2		TM0188P201	. . EQUIPPED PIPE	1

- ITEM NOT ILLUSTRATED

NP NON PROCURABLE

8819505000

Description: FLOW LIMITER ASSEMBLY



# SAFRAN HELICOPTER ENGINES

## ARRIUS 2 F

MAINTENANCE TOOLS CATALOG

<i>Description</i>	<i>Part Number</i>
<b>FLOW LIMITER ASSEMBLY</b>	<b>8819505000</b>

<i>This tool replaces the tool</i>
------------------------------------

<i>Supply code</i>	<i>Calibration frequency</i>	<i>Functional criteria check</i>
3 - 2	N/A	N/A

<b>Use</b>	Tool used for engine rinsing and cleaning procedures.
------------	---

<b>Use particularity</b>	
--------------------------	--

<i>Alternate</i>	<i>Part Number</i>	<i>Description</i>

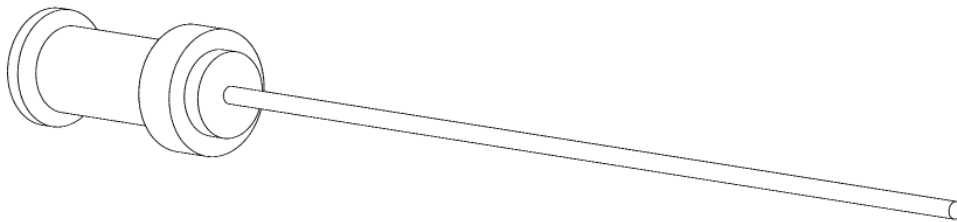
TOOL				P/N	DESCRIPTION	QTY
OT No.	Ind.	Ind.	1 2 3			
20 0020				8819505000	FLOW LIMITER ASSEMBLY	1
20 0020	A			9560153380	. UNION WITH MALE ENDS	1
20 0020	B			9560153370	. UNION WITH FEMALE ENDS	1
20 0020	C			8819505005	. VALVE, FINE TRIMMING	1

- ITEM NOT ILLUSTRATED

NP NON PROCURABLE

TM0067G001

Description: RIGID BORESCOPE DIA. 5 WITH RETICULE



# TURBOMECA ARRIUS 2 F

## MAINTENANCE TOOLS CATALOG

<i>Description</i>	<i>Part Number</i>
<b>RIGID BORESCOPE DIA. 5 WITH RETICULE</b>	<b>TM0067G001</b>

<i>This tool replaces the tool</i>
------------------------------------

<i>Supply code</i>	<i>Calibration frequency</i>	<i>Functional criteria check</i>
3 - 2	N/A	N/A

<b>Use</b>	Tool with reticule used for borescopic inspection of the centrifugal compressor
------------	---

<b>Use particularity</b>	
--------------------------	--

<i>Alternate</i>	<i>Part Number</i>	<i>Description</i>

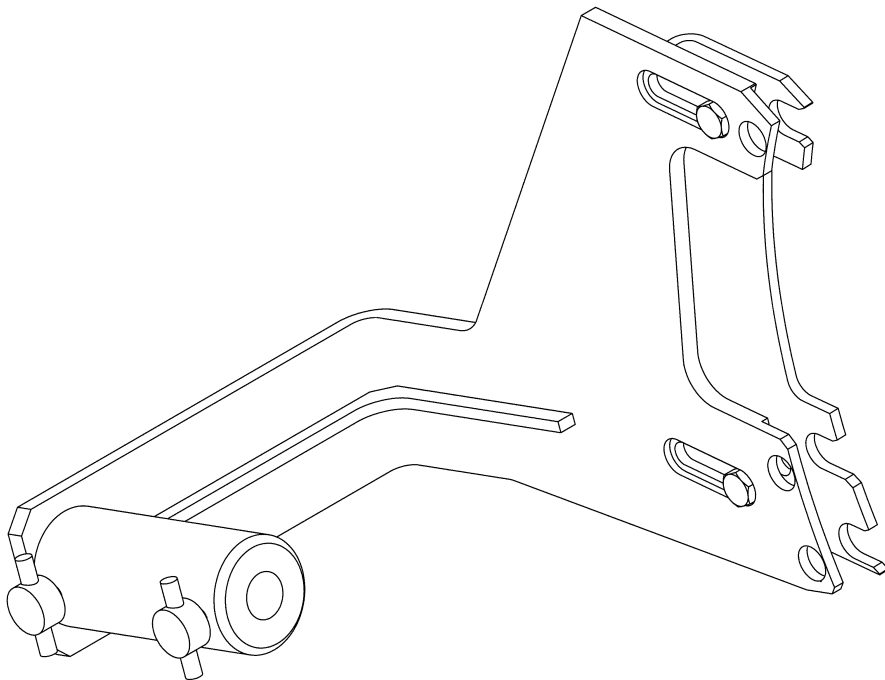
TOOL				P/N	DESCRIPTION	QTY
OT No.	Ind.	Ind.	1 2 3			
30 0110				TM0067G001	RIGID BORESCOPE DIA. 5 WITH RETICULE	1

- ITEM NOT ILLUSTRATED

NP NON PROCURABLE

**8819369000**

*Description: GUIDE OF BORESCOPE HOSE*



# TURBOMECA ARRIUS 2 F

## MAINTENANCE TOOLS CATALOG

<i>Description</i>	<i>Part Number</i>
<b>GUIDE OF BORESCOPE HOSE</b>	<b>8819369000</b>

<i>This tool replaces the tool</i>
------------------------------------

<i>Supply code</i>	<i>Calibration frequency</i>	<i>Functional criteria check</i>
3 - 2	N/A	N/A

<i>Use</i>	Attached to the intermediate casing flange/turbine casing, this tool is use to guide the borescope hose to examine the centrifugal impeller through the air intake.
------------	---

<i>Use particularity</i>	
--------------------------	--

<i>Alternate</i>	<i>Part Number</i>	<i>Description</i>

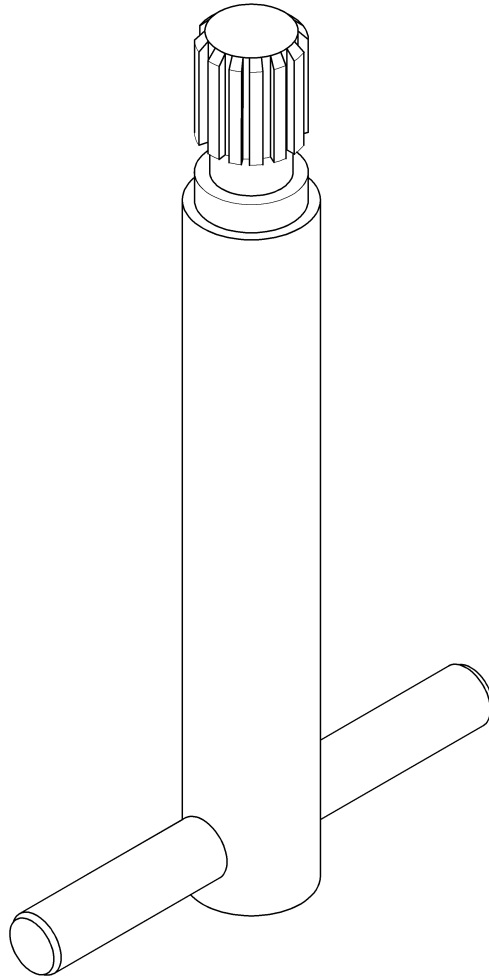
TOOL				P/N	DESCRIPTION	QTY
OT No.	Ind.	Ind.		1 2 3		
30 0120			8819369000	GUIDE OF BORESCOPE HOSE		1

- ITEM NOT ILLUSTRATED

NP NON PROCURABLE

**8814507000**

*Description: HANDLE, SETTING INTO ROTATION*





# SAFRAN HELICOPTER ENGINES

## ARRIUS 2 F

MAINTENANCE TOOLS CATALOG

<i>Description</i>	<i>Part Number</i>
HANDLE, SETTING INTO ROTATION	8814507000

<i>This tool replaces the tool</i>
------------------------------------

<i>Supply code</i>	<i>Calibration frequency</i>	<i>Functional criteria check</i>
3 - 2	N/A	N/A

<b>Use</b>	Tool used for the setting into rotation of the accessory drive system by the starter gear to ease the gearing of the breather gear with the gas-generator driving gear during the reduction-gear modular assembly.
------------	--

<b>Use particularity</b>	
--------------------------	--

<i>Alternate</i>	<i>Part Number</i>	<i>Description</i>

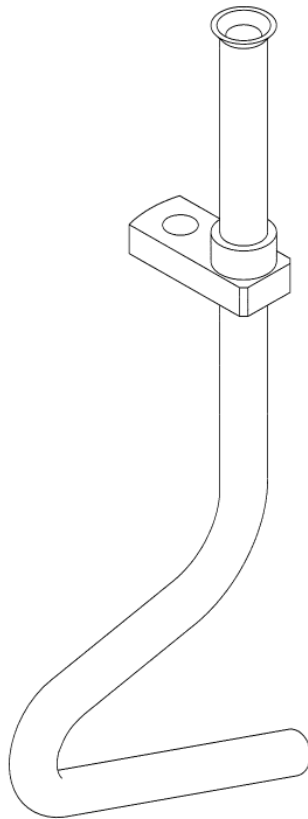
TOOL				P/N	DESCRIPTION	QTY
OT No.	Ind.	Ind.		1 2 3		
30 0130			8814507000		HANDLE, SETTING INTO ROTATION	1

- ITEM NOT ILLUSTRATED

NP NON PROCURABLE

8818684000

Description: BORESCOPE GUIDE



# SAFRAN HELICOPTER ENGINES

## ARRIUS 2 F

MAINTENANCE TOOLS CATALOG

<i>Description</i>	<i>Part Number</i>
<b>BORESCOPE GUIDE</b>	<b>8818684000</b>

<i>This tool replaces the tool</i>
------------------------------------

<i>Supply code</i>	<i>Calibration frequency</i>	<i>Functional criteria check</i>
3 - 2	N/A	N/A

<b>Use</b>	Tool used for guiding a fiberscope dia.5 for the borescopic inspection of the HP turbine
------------	--

<b>Use particularity</b>	
--------------------------	--

<i>Alternate</i>	<i>Part Number</i>	<i>Description</i>

TOOL				P/N	DESCRIPTION	QTY
OT No.	Ind.	Ind.	1 2 3			
30 0140				8818684000	BORESCOPE GUIDE	1

- ITEM NOT ILLUSTRATED

NP NON PROCURABLE

<b>TM1073G001</b>	<i>Description: BORESCOPIC GUIDE</i>
-------------------	--------------------------------------

NON ILLUSTRATED TOOL

# SAFRAN HELICOPTER ENGINES

## ARRIUS 2 F

MAINTENANCE TOOLS CATALOG

<i>Description</i>	<i>Part Number</i>
<b>BORESCOPIC GUIDE</b>	<b>TM1073G001</b>

<i>This tool replaces the tool</i>
------------------------------------

<i>Supply code</i>	<i>Calibration frequency</i>	<i>Functional criteria check</i>
3 - 2	N/A	N/A

<i>Use</i>	Used to guide a fiberscope dia. 5 for the borescopic inspection of the centrifugal compressor.
------------	--

<i>Use particularity</i>	
--------------------------	--

<i>Alternate</i>	<i>Part Number</i>	<i>Description</i>

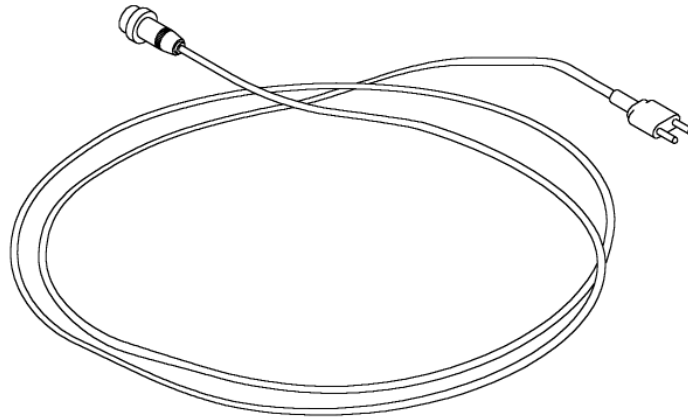
	<b>TOOL</b>			<b>P/N</b>	<b>DESCRIPTION</b>	<b>QTY</b>
	OT No.	Ind.	Ind.			
-	30 0160			TM1073G001	BORESCOPIC GUIDE	1
-	30 0160	A		TM1073P001	. TUBE	1

- ITEM NOT ILLUSTRATED

NP NON PROCURABLE

9610068900

Description: AIRCRAFT POWER SUPPLY CABLE (SMA2.03.10.2B)



# SAFRAN HELICOPTER ENGINES

## ARRIUS 2 F

MAINTENANCE TOOLS CATALOG

<i>Description</i>	<i>Part Number</i>
<b>AIRCRAFT POWER SUPPLY CABLE (SMA2.03.10.2B)</b>	<b>9610068900</b>

<i>This tool replaces the tool</i>
------------------------------------

<i>Supply code</i>	<i>Calibration frequency</i>	<i>Functional criteria check</i>
3 - 2	N/A	N/A

<i>Use</i>	Power supply cable 28V (aircraft services) of the tool TM0104G012
------------	---

<i>Use particularity</i>	
--------------------------	--

<i>Alternate</i>	<i>Part Number</i>	<i>Description</i>

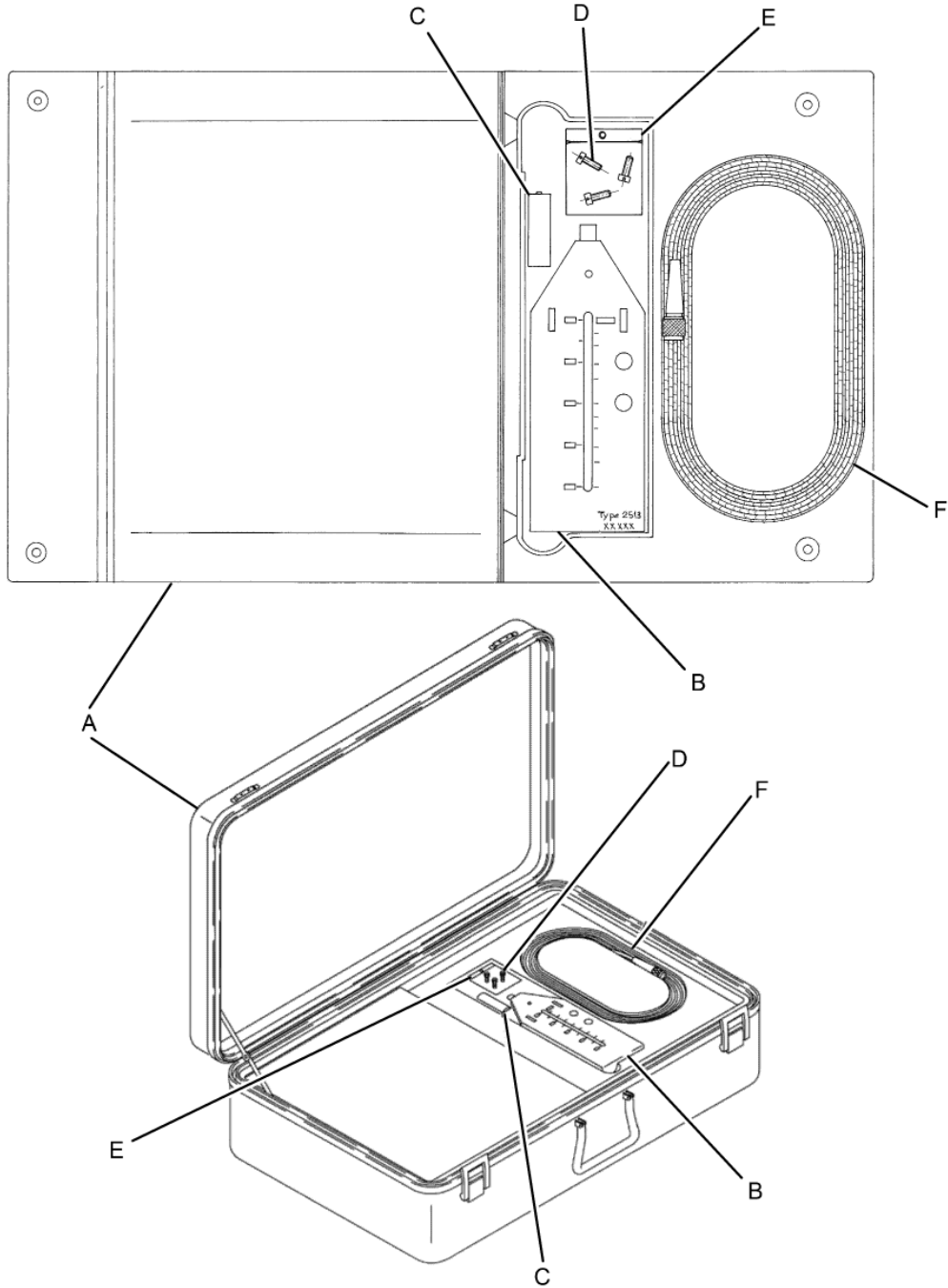
	TOOL			P/N	DESCRIPTION	QTY
	OT No.	Ind.	Ind.			
	40 0020			9610068900	AIRCRAFT POWER SUPPLY CABLE (SMA2.03.10.2B)	1

- ITEM NOT ILLUSTRATED

NP NON PROCURABLE

8816694000

Description: VIBRATION MEASURING KIT B&K 2513





ARRIUS 2 F

<i>Description</i>	<i>Part Number</i>
VIBRATION MEASURING KIT B&K 2513	8816694000

<i>This tool replaces the tool</i>
------------------------------------

<i>Supply code</i>	<i>Calibration frequency</i>	<i>Functional criteria check</i>
3 - 1	12	N/A

<i>Use</i>	Tool used for the check of the vibratory level of the engine
------------	--

<i>Use particularity</i>	
--------------------------	--

<i>Alternate</i>	<i>Part Number</i>	<i>Description</i>

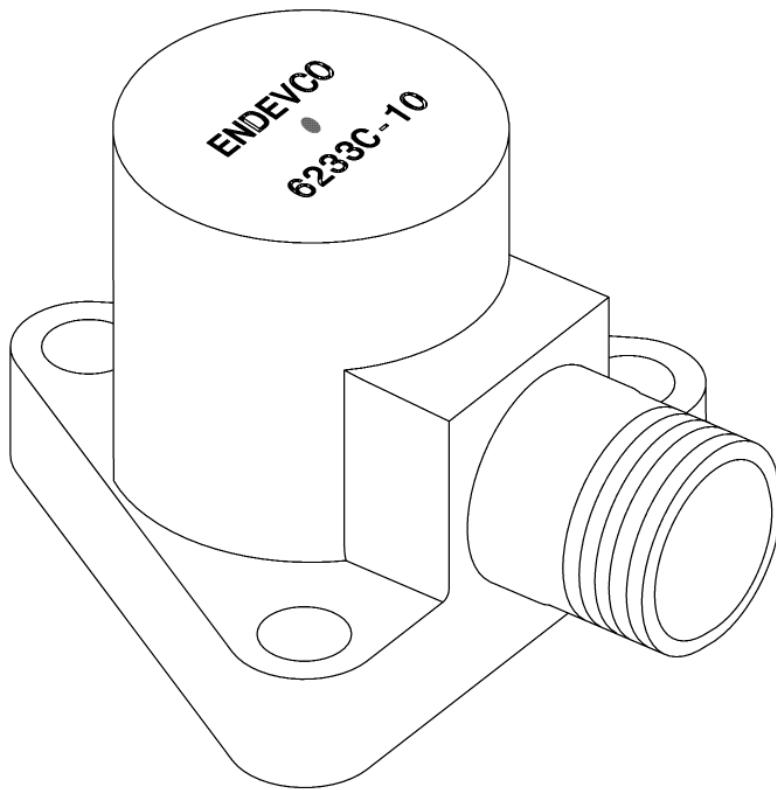
TOOL				P/N	DESCRIPTION	QTY
OT No.	Ind.	Ind.		1 2 3		
40 0100			8816694000	VIBRATION MEASURING KIT B&K 2513	1	
40 0100	A		8816694107	. PROTECTION BAG	1	
40 0100	B		8816694101	. VIBROMETER TYPE B&K 2513, MODIFICATION BKF0058	1	
40 0100	C		9542110520	. BATTERY R6 1,5V	1	
40 0100	D		9848401229	. SCREW CHC M4X12	3	
40 0100	E		9678400120	. VINYL POCKET 45x120	1	
40 0100	F		8816694103	. ACCELEROMETER CABLE B&K WL0748	1	

- ITEM NOT ILLUSTRATED

NP NON PROCURABLE

9610046360

Description: ACCELEROMETER ENDEVCO 6233C-10



# SAFRAN HELICOPTER ENGINES

## ARRIUS 2 F

MAINTENANCE TOOLS CATALOG

<i>Description</i>	<i>Part Number</i>
<b>ACCELEROMETER ENDEVCO 6233C-10</b>	<b>9610046360</b>

<i>This tool replaces the tool</i>
------------------------------------

<i>Supply code</i>	<i>Calibration frequency</i>	<i>Functional criteria check</i>
3 - 1	12	N/A

<b>Use</b>	Tool used for the check of the vibratory level of the engine
------------	--

<b>Use particularity</b>	
--------------------------	--

<i>Alternate</i>	<i>Part Number</i>	<i>Description</i>

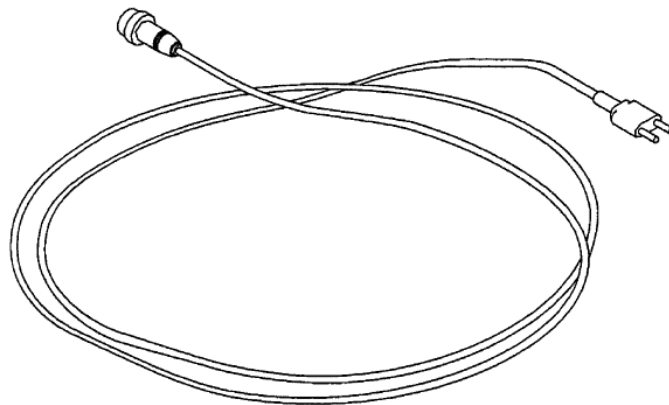
	TOOL			P/N	DESCRIPTION	QTY
	OT No.	Ind.	Ind.			
I	40 0110			9610046360	ACCELEROMETER ENDEVCO 6233C-10	1

- ITEM NOT ILLUSTRATED

NP NON PROCURABLE

9610064500

Description: AIRCRAFT POWER SUPPLY CABLE (SMA2.03.10)



# SAFRAN HELICOPTER ENGINES

## ARRIUS 2 F

MAINTENANCE TOOLS CATALOG

<i>Description</i>	<i>Part Number</i>
<b>AIRCRAFT POWER SUPPLY CABLE (SMA2.03.10)</b>	<b>9610064500</b>

<i>This tool replaces the tool</i>
------------------------------------

<i>Supply code</i>	<i>Calibration frequency</i>	<i>Functional criteria check</i>
3 - 2	N/A	N/A

<i>Use</i>	Power supply cable 28V (aircraft services) of the tool TM0104G012.
------------	--

<i>Use particularity</i>	
--------------------------	--

<i>Alternate</i>	<i>Part Number</i>	<i>Description</i>

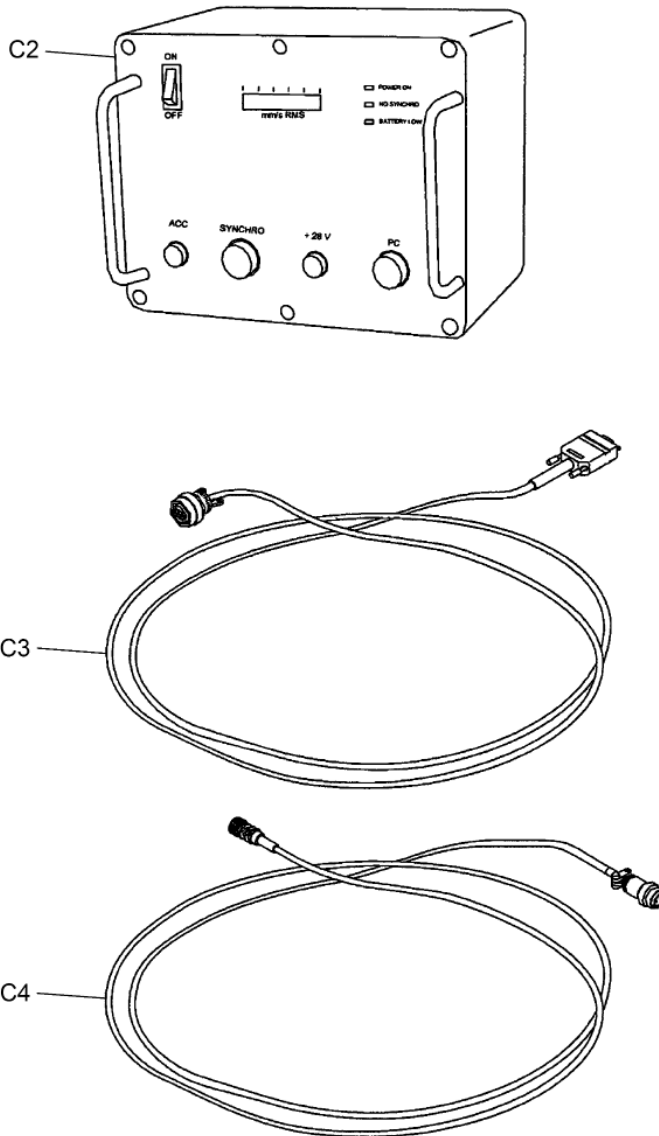
TOOL				P/N	DESCRIPTION	QTY
OT No.	Ind.	Ind.		1 2 3		
40 0120				9610064500	AIRCRAFT POWER SUPPLY CABLE (SMA2.03.10)	1

- ITEM NOT ILLUSTRATED

NP NON PROCURABLE

TM0104G012

Description: SYNTHAM 2000.4 + PC



# SAFRAN HELICOPTER ENGINES

## ARRIUS 2 F

MAINTENANCE TOOLS CATALOG

Description	Part Number
SYNTHAM 2000.4 + PC	TM0104G012

<i>This tool replaces the tool</i>
------------------------------------

Supply code	Calibration frequency	Functional criteria check
3 - 1	12	N/A

<b>Use</b>	Associated to the tool TM0751G010, it characterizes the vibration behaviour of the rotating assemblies. An aircraft power supply is possible by using the tool 9610068900.
------------	--

<b>Use particularity</b>	
--------------------------	--

Alternate	Part Number	Description
	TM0104G011, TM0104G010	SYNTHAM 2000.4 / V3, SYNTHAM 2000.4 / V2

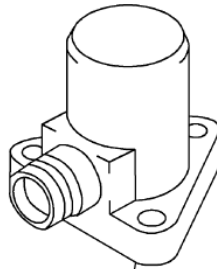
TOOL				P/N	DESCRIPTION	QTY
OT No.	Ind.	Ind.		1 2 3		
				TM0104G012	SYNTHAM 2000.4 + PC	1
-	40 0130	A		9610064600	. LAPTOP (PC/S00-2000.A)	1
-	40 0130	B		8815099808	. LABEL	1
-	40 0130	C		TM0104G112	. SYNTHAM 2000.4 / V3.1	1
-	40 0130	C	1	9610064590	. . PORTABLE TEST KIT (S00-123)	1
	40 0130	C	2	9610090180	. . BOX ASSEMBLY (S2000.4 / V3.1)	1
	40 0130	C	3	9610090190	. . PC CABLE (SPC2-04)	1
	40 0130	C	4	9610064560	. . ACCELEROMETER CABLE (SMA.03.01.02)	1
-	40 0130	C	5	9610068790	. . BATTERY CHARGER (SMA2-04-01)	1
-	40 0130	C	6	9610084310	. . BS 2000 SOFTWARE (T.PVA.S2.98.999)	1
-	40 0130	C	7	9610084320	. . BS 2000 MANUAL E/F (T.DOC.S2.00.034)	1
-	40 0130	C	8	9610084330	. . CVM SOFTWARE (T.PVA.S2.98.1000)	1
-	40 0130	C	9	9610084340	. . CVM MANUAL E/F (T.DOC.S2.00.039)	1

- ITEM NOT ILLUSTRATED

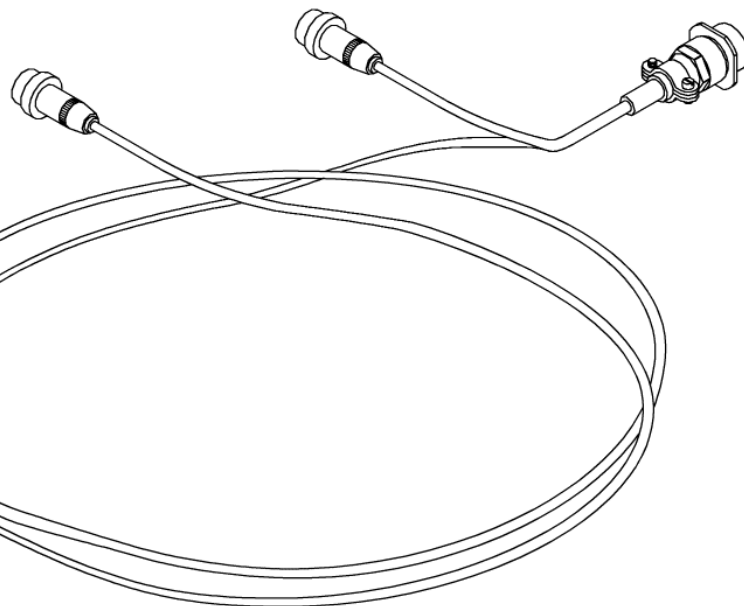
NP NON PROCURABLE

TM0750G010

Description: KIT, VIBRATIONS TEST



B1



A1



# SAFRAN HELICOPTER ENGINES

## ARRIUS 2 F

MAINTENANCE TOOLS CATALOG

<i>Description</i>	<i>Part Number</i>
KIT, VIBRATIONS TEST	TM0750G010

<i>This tool replaces the tool</i>
------------------------------------

<i>Supply code</i>	<i>Calibration frequency</i>	<i>Functional criteria check</i>
3 - 1	12	N/A

<b>Use</b>	Associated to the tool TM0104G012, it characterizes the vibration behaviour of the rotating assemblies. This tool is specific to the ARRIUS 2 engine. The accelerometer must be calibrated according to the above periodicity.
------------	--

<b>Use particularity</b>	
--------------------------	--

<i>Alternate</i>	<i>Part Number</i>	<i>Description</i>

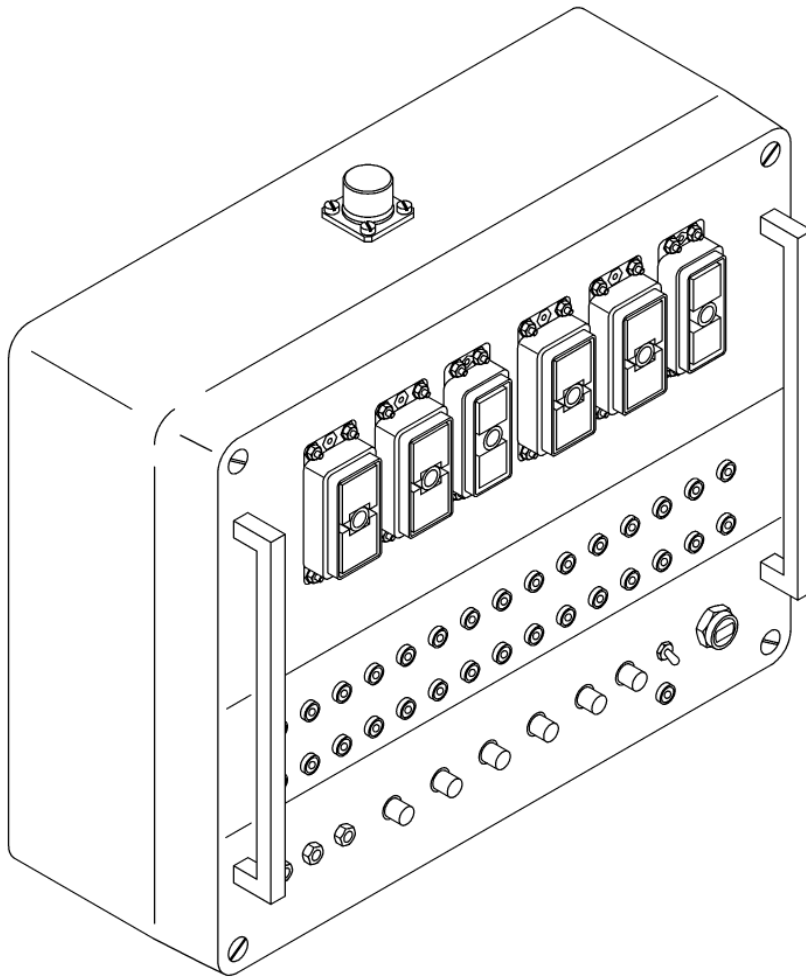
	TOOL			P/N	DESCRIPTION	QTY
	OT No.	Ind.	Ind.			
	40 0140			TM0750G010	KIT, VIBRATIONS TEST	1
-	40 0140	A		TM0750G110	. SEMIA EQUIPMENT	1
	40 0140	A	1	9610068730	. . TACHOMETER CABLE SAS22-03-06	1
-	40 0140	A	2	9610084460	. . WORK CARD OF EXTERNAL KIT T.PVA.S2.99.264	1
-	40 0140	B		TM0750G210	. SAFRAN HELICOPTER ENGINES EQUIPMENT	1
	40 0140	B	1	9610020490	. . ACCELEROMETER ENDEVCO 6222S-20A	1
-	40 0140	B	2	9610017670	. . CASE	1
-	40 0140	C		8815099808	. LABEL	1

- ITEM NOT ILLUSTRATED

NP NON PROCURABLE

TM4890G002

Description: HARNESS TEST BOX



# SAFRAN HELICOPTER ENGINES

## ARRIUS 2 F

MAINTENANCE TOOLS CATALOG

<i>Description</i>	<i>Part Number</i>
HARNESS TEST BOX	TM4890G002

<i>This tool replaces the tool</i>
------------------------------------

<i>Supply code</i>	<i>Calibration frequency</i>	<i>Functional criteria check</i>
-	N/A	N/A

<b>Use</b>	Box used to test the control and monitoring harness and the control harness.
------------	--

<b>Use particularity</b>	TM4890G002 is exclusively used with tools TM4897G001(B1-B1A-B2), TM4894G001(F), TM4895G001(K1-K2) and the alternative 8819925000 exclusively with tools 8819456000(B1-B1A-B2), 8819457000(F), TM0396G001(K1-K2).
--------------------------	--

<i>Alternate</i>	<i>Part Number</i>	<i>Description</i>
	8819925000	HARNESS TEST BOX

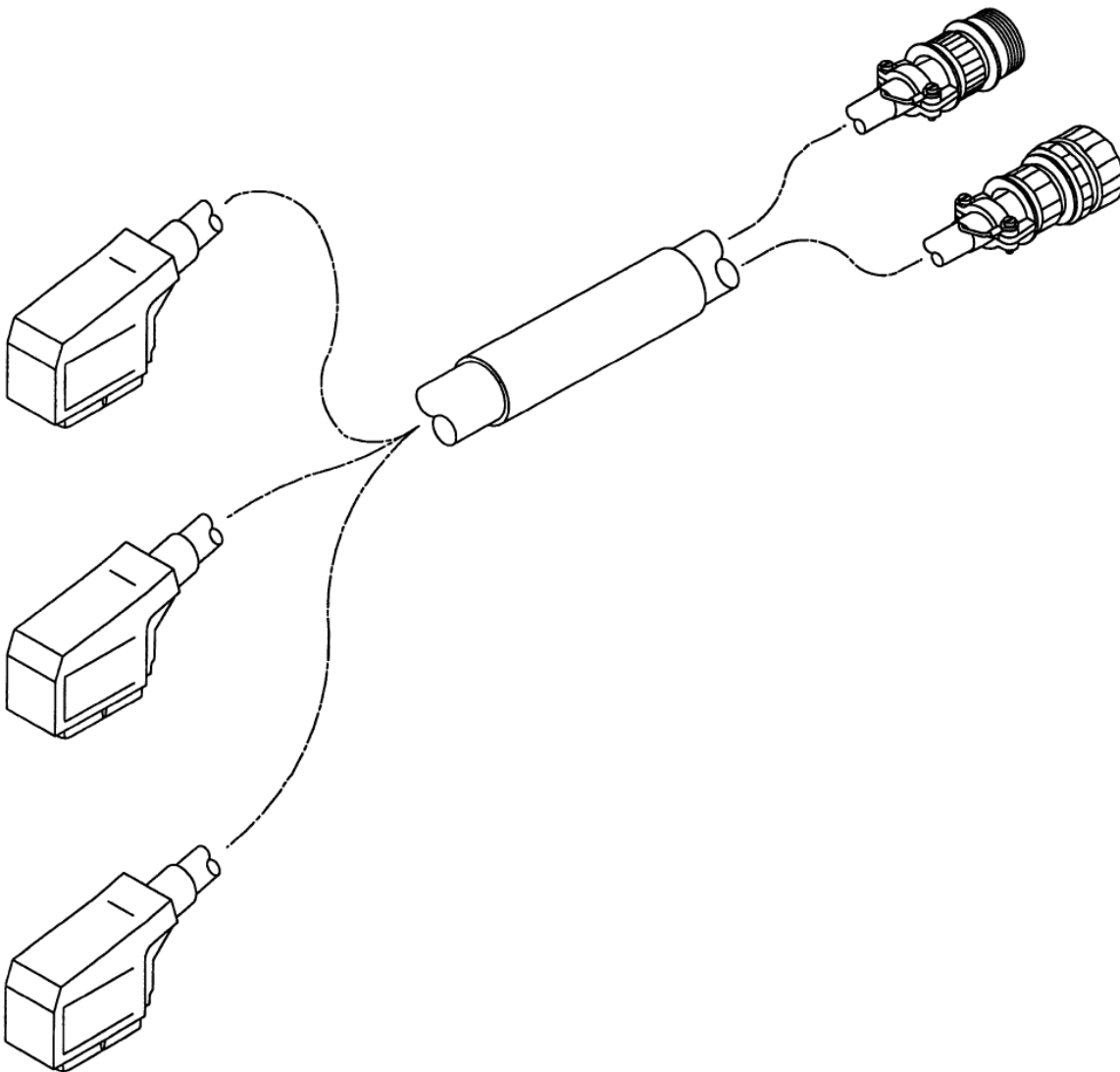
	TOOL			P/N	DESCRIPTION	QTY
	OT No.	Ind.	Ind.			
1	40 0150			TM4890G002	1 2 3 HARNESS TEST BOX	1

- ITEM NOT ILLUSTRATED

NP NON PROCURABLE

TM4894G001

Description: TEST, HARNESS



# TURBOMECA ARRIUS 2 F

## MAINTENANCE TOOLS CATALOG

<i>Description</i>	<i>Part Number</i>
<b>TEST, HARNESS</b>	<b>TM4894G001</b>

<i>This tool replaces the tool</i>
------------------------------------

<i>Supply code</i>	<i>Calibration frequency</i>	<i>Functional criteria check</i>
3 - 2	N/A	N/A

<b>Use</b>	Connection harness use to test the electrical harnesses P100 and P101.
------------	--

<b>Use particularity</b>	<b>It is used with tools TM4890G002 and 8819459000 and 8817367000.</b>
--------------------------	--

<i>Alternate</i>	<i>Part Number</i>	<i>Description</i>
	8819457000	TEST, HARNESS

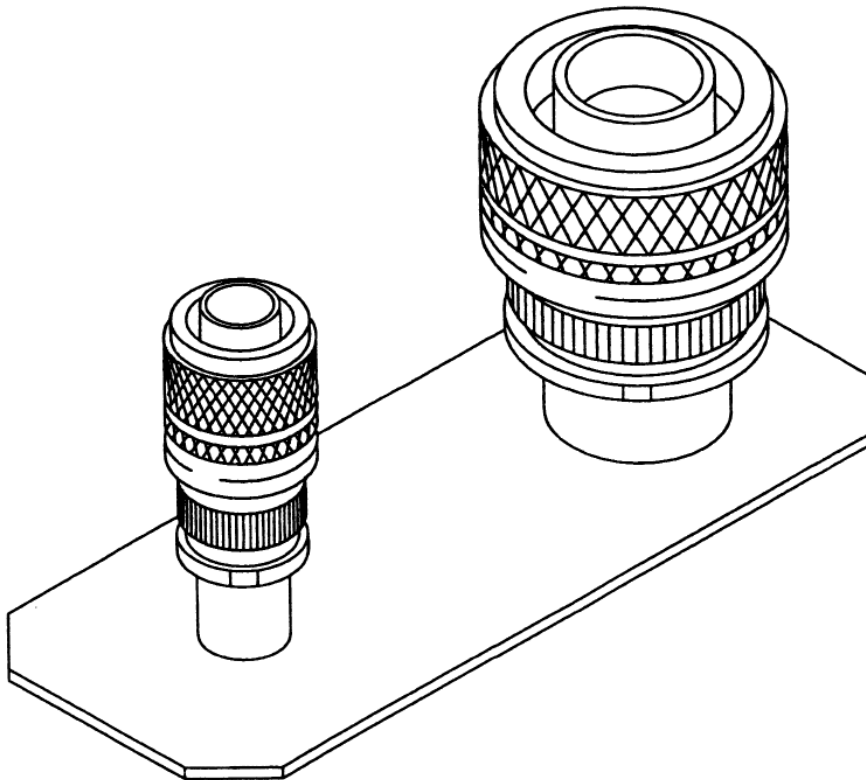
	TOOL			P/N	DESCRIPTION	QTY
	OT No.	Ind.	Ind.			
I	40 0160			TM4894G001	TEST, HARNESS	1

- ITEM NOT ILLUSTRATED

NP NON PROCURABLE

**8819459000**

*Description: SET OF SELF-TEST CONNECTORS*



# TURBOMECA ARRIUS 2 F

## MAINTENANCE TOOLS CATALOG

<i>Description</i>	<i>Part Number</i>
<b>SET OF SELF-TEST CONNECTORS</b>	<b>8819459000</b>

<i>This tool replaces the tool</i>
------------------------------------

<i>Supply code</i>	<i>Calibration frequency</i>	<i>Functional criteria check</i>
3 - 2	N/A	N/A

<b>Use</b>	Set of connectors use to self-test the harness
------------	--

<b>Use particularity</b>	<b>It is used with tools TM4890G002 and TM4894G001 and 8817367000.</b>
--------------------------	--

<i>Alternate</i>	<i>Part Number</i>	<i>Description</i>

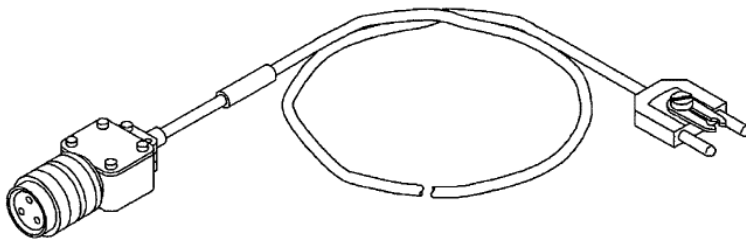
	TOOL			P/N	DESCRIPTION	QTY
	OT No.	Ind.	Ind.			
1	40 0170			8819459000	1 2 3 SET OF SELF-TEST CONNECTORS	1

- ITEM NOT ILLUSTRATED

NP NON PROCURABLE

**8817367000**

*Description: HARNESS*





# TURBOMECA ARRIUS 2 F

## MAINTENANCE TOOLS CATALOG

<i>Description</i>	<i>Part Number</i>
<b>HARNESS</b>	<b>8817367000</b>

<i>This tool replaces the tool</i>
------------------------------------

<i>Supply code</i>	<i>Calibration frequency</i>	<i>Functional criteria check</i>
3 - 2	N/A	N/A

<i>Use</i>	28V feeder cable.
------------	-------------------

<i>Use particularity</i>	IT IS USED WITH TOOLS TM4890G001 AND TM4894G001 AND 8819459000.
--------------------------	---

<i>Alternate</i>	<i>Part Number</i>	<i>Description</i>

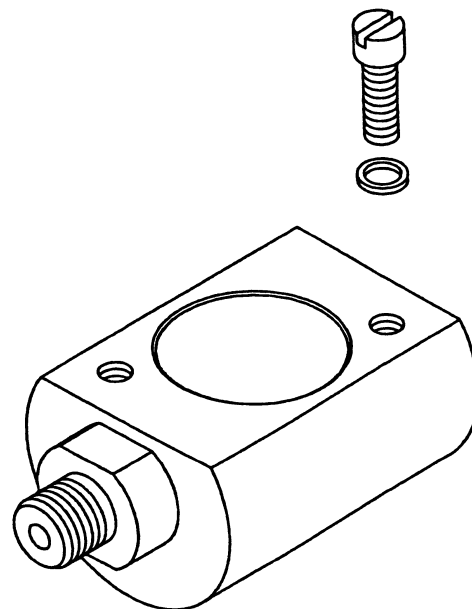
TOOL				P/N	DESCRIPTION	QTY
OT No.	Ind.	Ind.		1 2 3		
40 0180			8817367000	HARNESS		1

- ITEM NOT ILLUSTRATED

NP NON PROCURABLE

**8819841000**

*Description: ADAPTATION UNION*



# TURBOMECA ARRIUS 2 F

## MAINTENANCE TOOLS CATALOG

<i>Description</i>	<i>Part Number</i>
<b>ADAPTATION UNION</b>	<b>8819841000</b>

<i>This tool replaces the tool</i>
------------------------------------

<i>Supply code</i>	<i>Calibration frequency</i>	<i>Functional criteria check</i>
3 - 2	N/A	N/A

<i>Use</i>	Tool use to test the pre-blocage pressure switch of the fuel filter to do a test.
------------	---

<i>Use particularity</i>	IT IS USED WITH TOOL 8819840000.
--------------------------	----------------------------------

<i>Alternate</i>	<i>Part Number</i>	<i>Description</i>

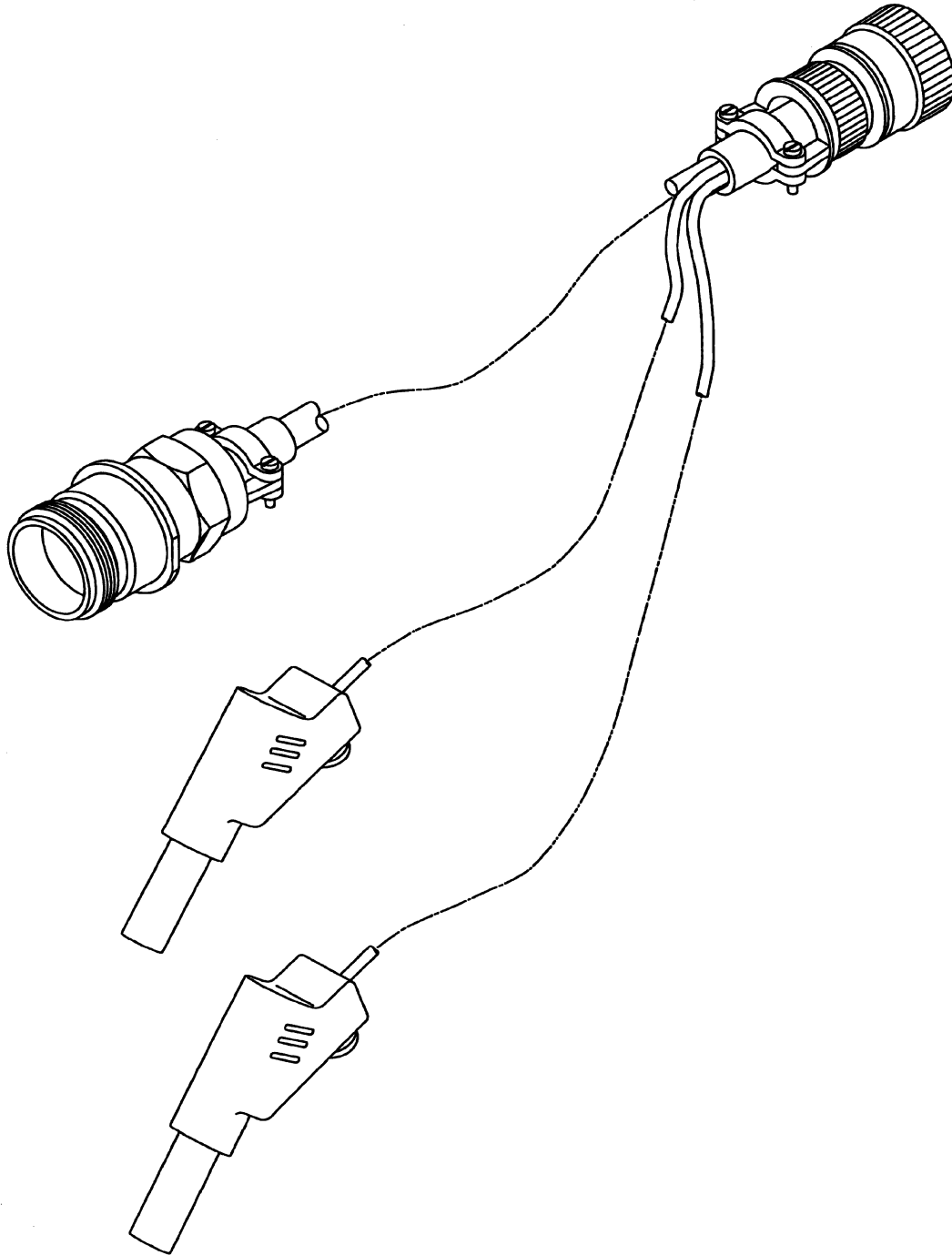
TOOL				P/N	DESCRIPTION	QTY
OT No.	Ind.	Ind.		1 2 3		
40 0190			8819841000	ADAPTATION UNION		1

- ITEM NOT ILLUSTRATED

NP NON PROCURABLE

**8819840000**

*Description: HARNESS*



# TURBOMECA ARRIUS 2 F

## MAINTENANCE TOOLS CATALOG

<i>Description</i>	<i>Part Number</i>
<b>HARNESS</b>	<b>8819840000</b>

<i>This tool replaces the tool</i>
------------------------------------

<i>Supply code</i>	<i>Calibration frequency</i>	<i>Functional criteria check</i>
3 - 2	N/A	N/A

<i>Use</i>	Tool use to test the pre-blocage pressure switch of the fuel filter to do a test.
------------	---

<i>Use particularity</i>	IT IS USED WITH TOOL 8819841000.
--------------------------	----------------------------------

<i>Alternate</i>	<i>Part Number</i>	<i>Description</i>

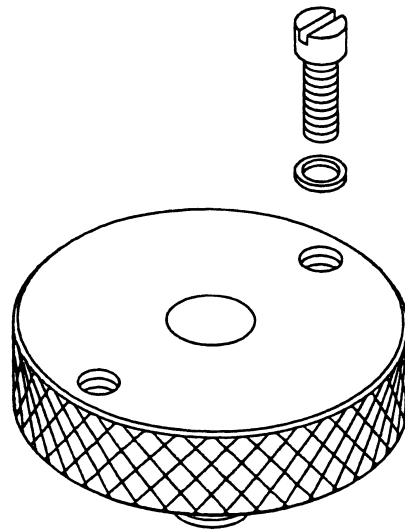
TOOL				P/N	DESCRIPTION	QTY
OT No.	Ind.	Ind.		1 2 3		
40 0200			8819840000	HARNESS		1

- ITEM NOT ILLUSTRATED

NP NON PROCURABLE

**8819843000**

*Description: ADAPTATION UNION*



# TURBOMECA ARRIUS 2 F

## MAINTENANCE TOOLS CATALOG

<i>Description</i>	<i>Part Number</i>
<b>ADAPTATION UNION</b>	<b>8819843000</b>

<i>This tool replaces the tool</i>
------------------------------------

<i>Supply code</i>	<i>Calibration frequency</i>	<i>Functional criteria check</i>
3 - 2	N/A	N/A

<i>Use</i>	Tool use to adapt the fuel pressure switch to do a test.
------------	--

<i>Use particularity</i>	IT IS USED WITH TOOL 8818341000.
--------------------------	----------------------------------

<i>Alternate</i>	<i>Part Number</i>	<i>Description</i>

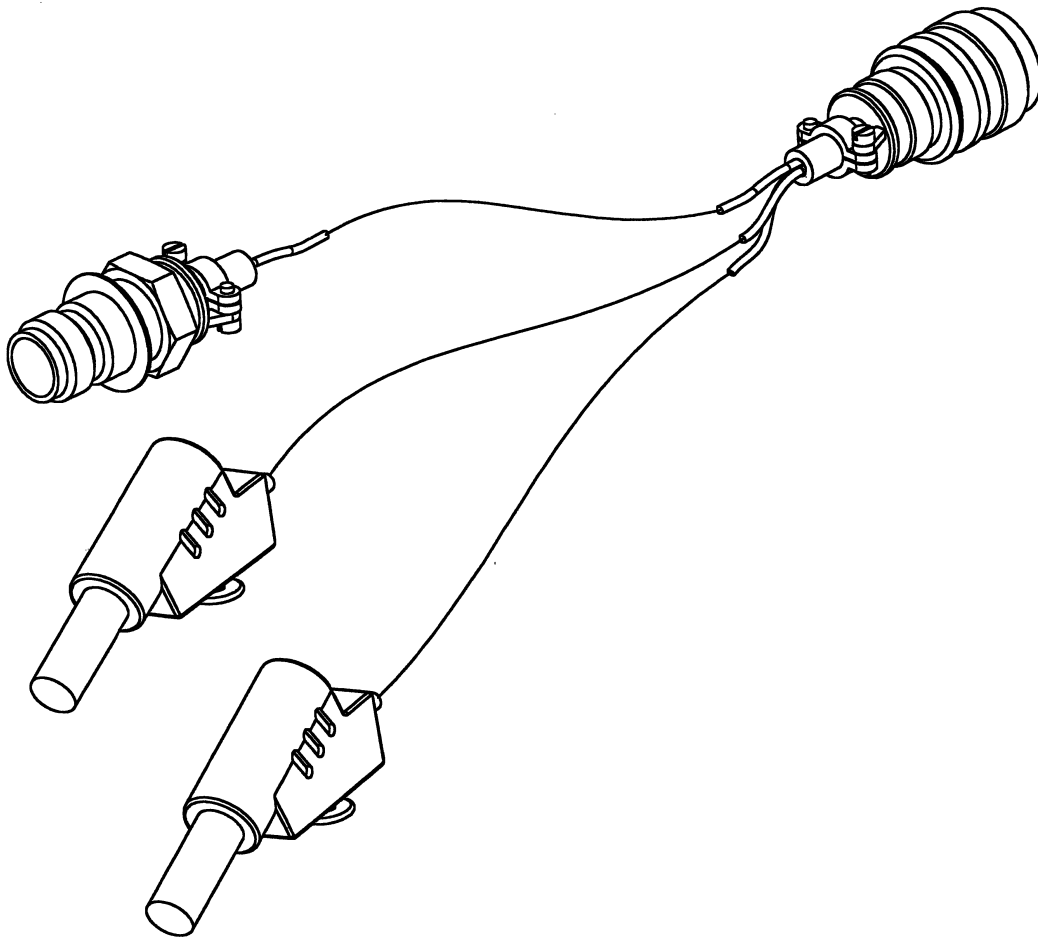
TOOL				P/N	DESCRIPTION	QTY
OT No.	Ind.	Ind.		1 2 3		
40 0210			8819843000	ADAPTATION UNION		1

- ITEM NOT ILLUSTRATED

NP NON PROCURABLE

**8818341000**

*Description: HARNESS*





# TURBOMECA ARRIUS 2 F

## MAINTENANCE TOOLS CATALOG

<i>Description</i>	<i>Part Number</i>
<b>HARNESS</b>	<b>8818341000</b>

<i>This tool replaces the tool</i>
------------------------------------

<i>Supply code</i>	<i>Calibration frequency</i>	<i>Functional criteria check</i>
3 - 2	N/A	N/A

<i>Use</i>	Harness used to monitor the fuel low pressure switch.
------------	---

<i>Use particularity</i>	IT IS USED WITH TOOLS TM0807G001 AND TM1609G001 AND 8819389000.
--------------------------	---

<i>Alternate</i>	<i>Part Number</i>	<i>Description</i>

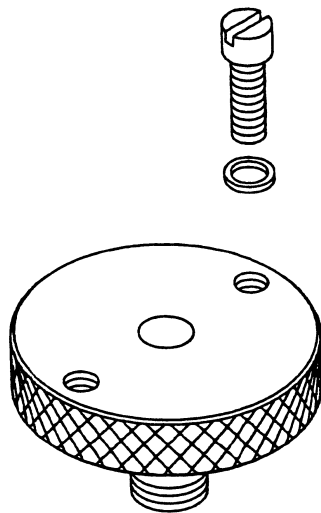
TOOL				P/N	DESCRIPTION	QTY
OT No.	Ind.	Ind.		1 2 3		
40 0220			8818341000	HARNESS		1

- ITEM NOT ILLUSTRATED

NP NON PROCURABLE

**8819842000**

*Description: ADAPTATION UNION*



# TURBOMECA ARRIUS 2 F

## MAINTENANCE TOOLS CATALOG

<i>Description</i>	<i>Part Number</i>
<b>ADAPTATION UNION</b>	<b>8819842000</b>

<i>This tool replaces the tool</i>
------------------------------------

<i>Supply code</i>	<i>Calibration frequency</i>	<i>Functional criteria check</i>
3 - 2	N/A	N/A

<i>Use</i>	Tool use to adapt the P3 pressure switch to do a test.
------------	--

<i>Use particularity</i>	It is used with tools 8819391000 and TM1609G001 and TM0807G001 .
--------------------------	--

<i>Alternate</i>	<i>Part Number</i>	<i>Description</i>

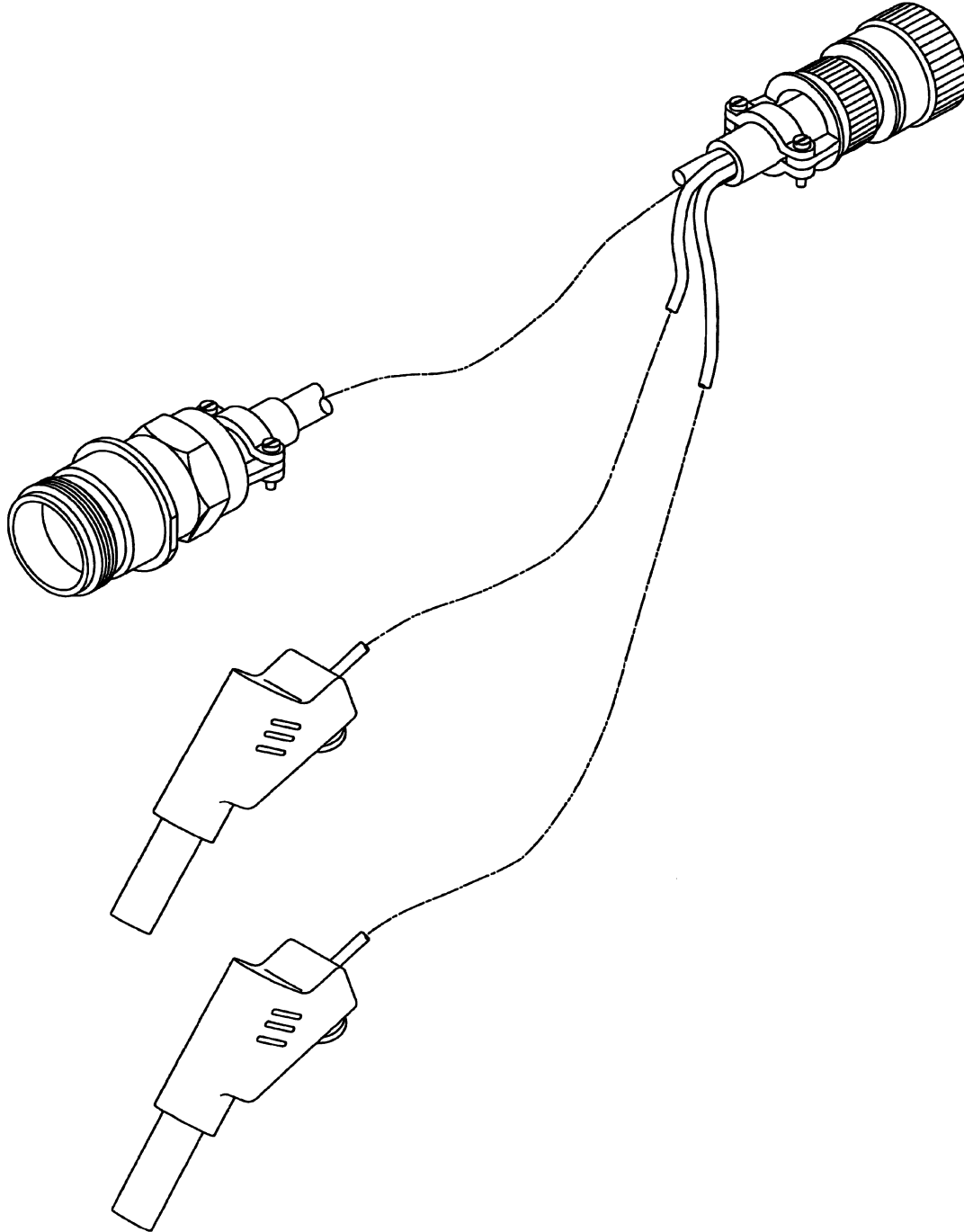
TOOL				P/N	DESCRIPTION	QTY
OT No.	Ind.	Ind.		1 2 3		
40 0230			8819842000	ADAPTATION UNION		1

- ITEM NOT ILLUSTRATED

NP NON PROCURABLE

**8819391000**

*Description: HARNESS*



# TURBOMECA ARRIUS 2 F

## MAINTENANCE TOOLS CATALOG

<i>Description</i>	<i>Part Number</i>
<b>HARNESS</b>	<b>8819391000</b>

<i>This tool replaces the tool</i>
------------------------------------

<i>Supply code</i>	<i>Calibration frequency</i>	<i>Functional criteria check</i>
3 - 2	N/A	N/A

<i>Use</i>	Harness use to check the P3 pressure switch.
------------	--

<i>Use particularity</i>	It is used with tools TM0807G001 and TM1609G001 and 8819387000.
--------------------------	---

<i>Alternate</i>	<i>Part Number</i>	<i>Description</i>

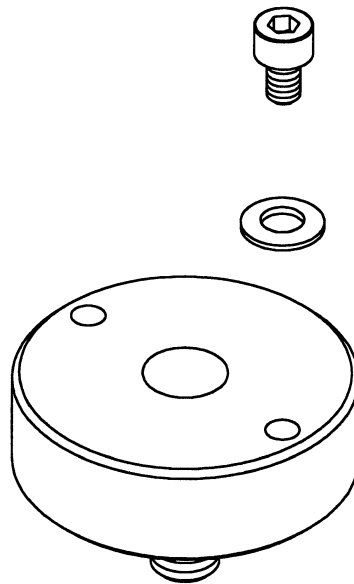
	TOOL			P/N	DESCRIPTION	QTY
	OT No.	Ind.	Ind.			
I	40 0240			8819391000	HARNESS	1

- ITEM NOT ILLUSTRATED

NP NON PROCURABLE

**8818932000**

*Description: ADAPTATION UNION*



# TURBOMECA ARRIUS 2 F

## MAINTENANCE TOOLS CATALOG

<i>Description</i>	<i>Part Number</i>
<b>ADAPTATION UNION</b>	<b>8818932000</b>

<i>This tool replaces the tool</i>
------------------------------------

<i>Supply code</i>	<i>Calibration frequency</i>	<i>Functional criteria check</i>
3 - 2	N/A	N/A

<i>Use</i>	Tool use to adapt the torquemeter transmitter to do a test.
------------	---

<i>Use particularity</i>	IT IS USED WITH TOOLS 8816492000 AND TM1609G001 AND TM0807G001 .
--------------------------	--

<i>Alternate</i>	<i>Part Number</i>	<i>Description</i>

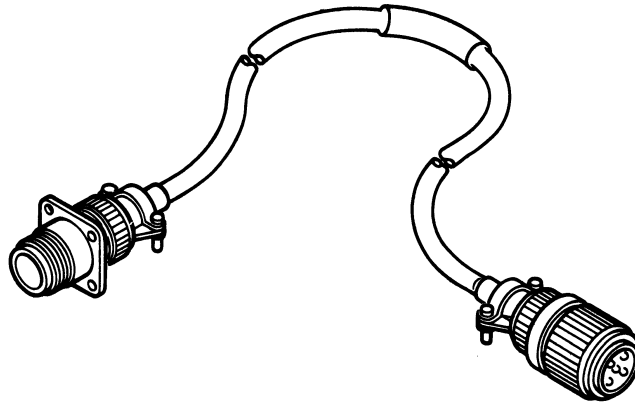
TOOL				P/N	DESCRIPTION	QTY
OT No.	Ind.	Ind.		1 2 3		
40 0250				8818932000	ADAPTATION UNION	1

- ITEM NOT ILLUSTRATED

NP NON PROCURABLE

**8816492000**

*Description: HARNESS*





# TURBOMECA ARRIUS 2 F

## MAINTENANCE TOOLS CATALOG

<i>Description</i>	<i>Part Number</i>
<b>HARNESS</b>	<b>8816492000</b>

<i>This tool replaces the tool</i>
------------------------------------

<i>Supply code</i>	<i>Calibration frequency</i>	<i>Functional criteria check</i>
3 - 2	N/A	N/A

<i>Use</i>	Harness use to check the torquemeter transmitter.
------------	---

<i>Use particularity</i>	IT IS USED WITH TOOLS TM0807G001 AND TM0520G001 .
--------------------------	---

<i>Alternate</i>	<i>Part Number</i>	<i>Description</i>

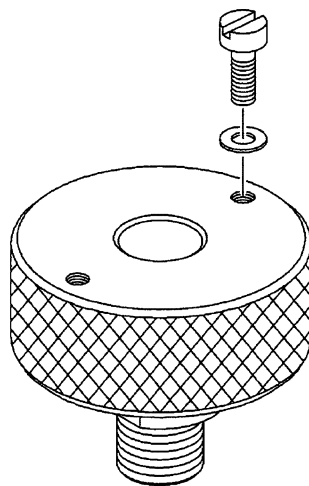
TOOL				P/N	DESCRIPTION	QTY
OT No.	Ind.	Ind.		1 2 3		
40 0260			8816492000	HARNESS		1

- ITEM NOT ILLUSTRATED

NP NON PROCURABLE

**8818339000**

*Description: ADAPTATION UNION*



# TURBOMECA ARRIUS 2 F

## MAINTENANCE TOOLS CATALOG

<i>Description</i>	<i>Part Number</i>
<b>ADAPTATION UNION</b>	<b>8818339000</b>

<i>This tool replaces the tool</i>
------------------------------------

<i>Supply code</i>	<i>Calibration frequency</i>	<i>Functional criteria check</i>
3 - 2	N/A	N/A

<i>Use</i>	Adaptation tool for the oil low pressure switch (for inspection purposes).
------------	--

<i>Use particularity</i>	It is used with tools TM0807G001 and TM1609G001 and 8819393000.
--------------------------	---

<i>Alternate</i>	<i>Part Number</i>	<i>Description</i>

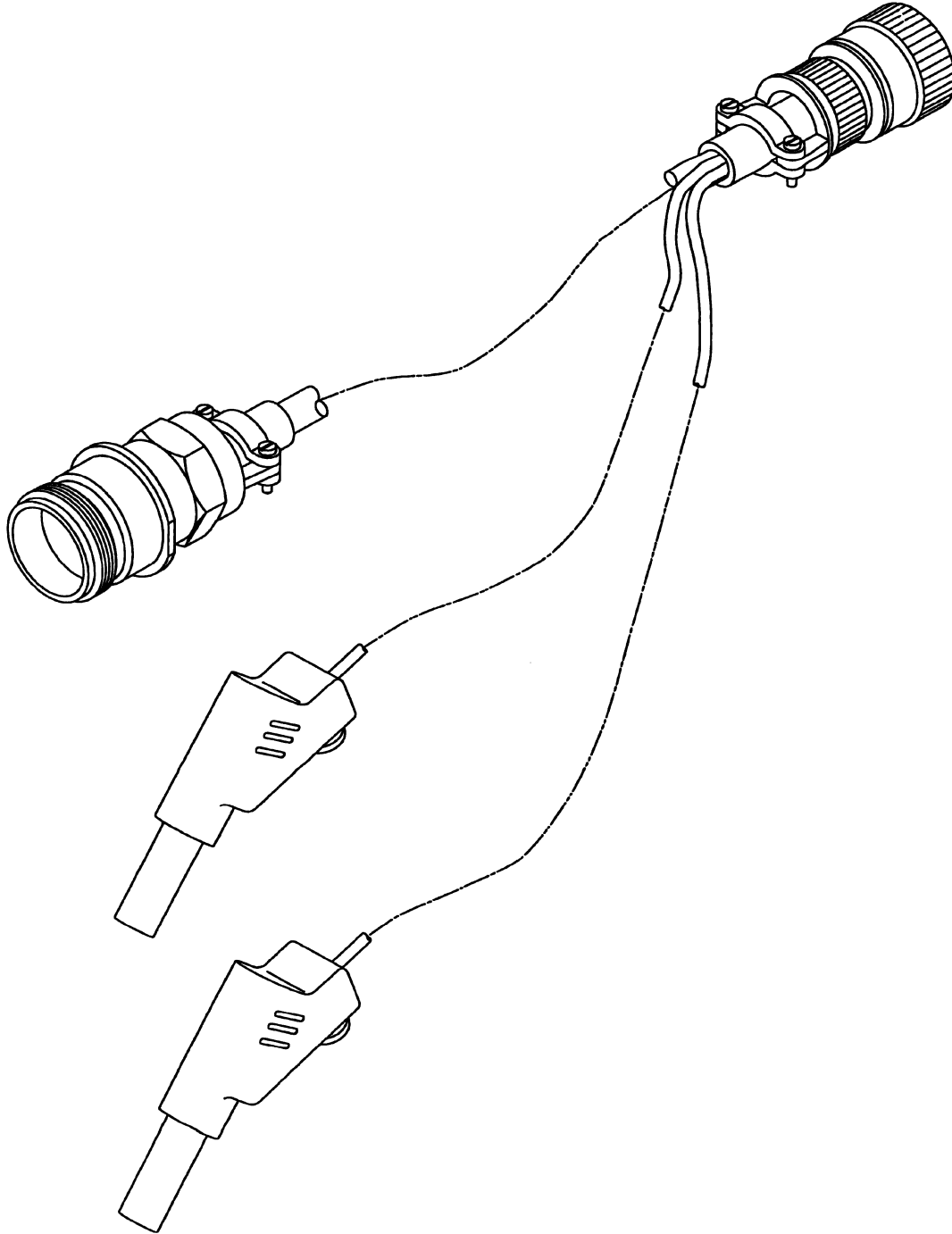
TOOL				P/N	DESCRIPTION	QTY
OT No.	Ind.	Ind.		1 2 3		
40 0270			8818339000	ADAPTATION UNION		1

- ITEM NOT ILLUSTRATED

NP NON PROCURABLE

**8819393000**

*Description: HARNESS*



# TURBOMECA ARRIUS 2 F

## MAINTENANCE TOOLS CATALOG

<i>Description</i>	<i>Part Number</i>
<b>HARNESS</b>	<b>8819393000</b>

<i>This tool replaces the tool</i>
------------------------------------

<i>Supply code</i>	<i>Calibration frequency</i>	<i>Functional criteria check</i>
3 - 2	N/A	N/A

<i>Use</i>	Harness used to test the low oil pressure switch.
------------	---

<i>Use particularity</i>	It is used with tools TM0807G001 and TM1609G001 and 8818339000.
--------------------------	---

<i>Alternate</i>	<i>Part Number</i>	<i>Description</i>

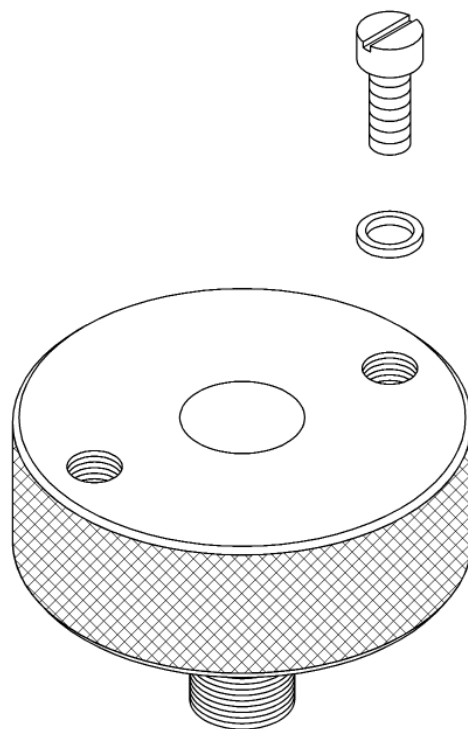
TOOL				P/N	DESCRIPTION	QTY
OT No.	Ind.	Ind.		1 2 3		
40 0280			8819393000	HARNESS		1

- ITEM NOT ILLUSTRATED

NP NON PROCURABLE

**8818340000**

*Description: ADAPTATION UNION*



# TURBOMECA ARRIUS 2 F

## MAINTENANCE TOOLS CATALOG

<i>Description</i>	<i>Part Number</i>
<b>ADAPTATION UNION</b>	<b>8818340000</b>

<i>This tool replaces the tool</i>
------------------------------------

<i>Supply code</i>	<i>Calibration frequency</i>	<i>Functional criteria check</i>
3 - 2	N/A	N/A

<b>Use</b>	Adaptation tool for the oil temperature and pressure transmitter (for inspection purposes)
<b>Use particularity</b>	It is used with tools TM0807G001 and TM1609G001 and 8819394000.

<b>Alternate</b>	<i>Part Number</i>	<i>Description</i>

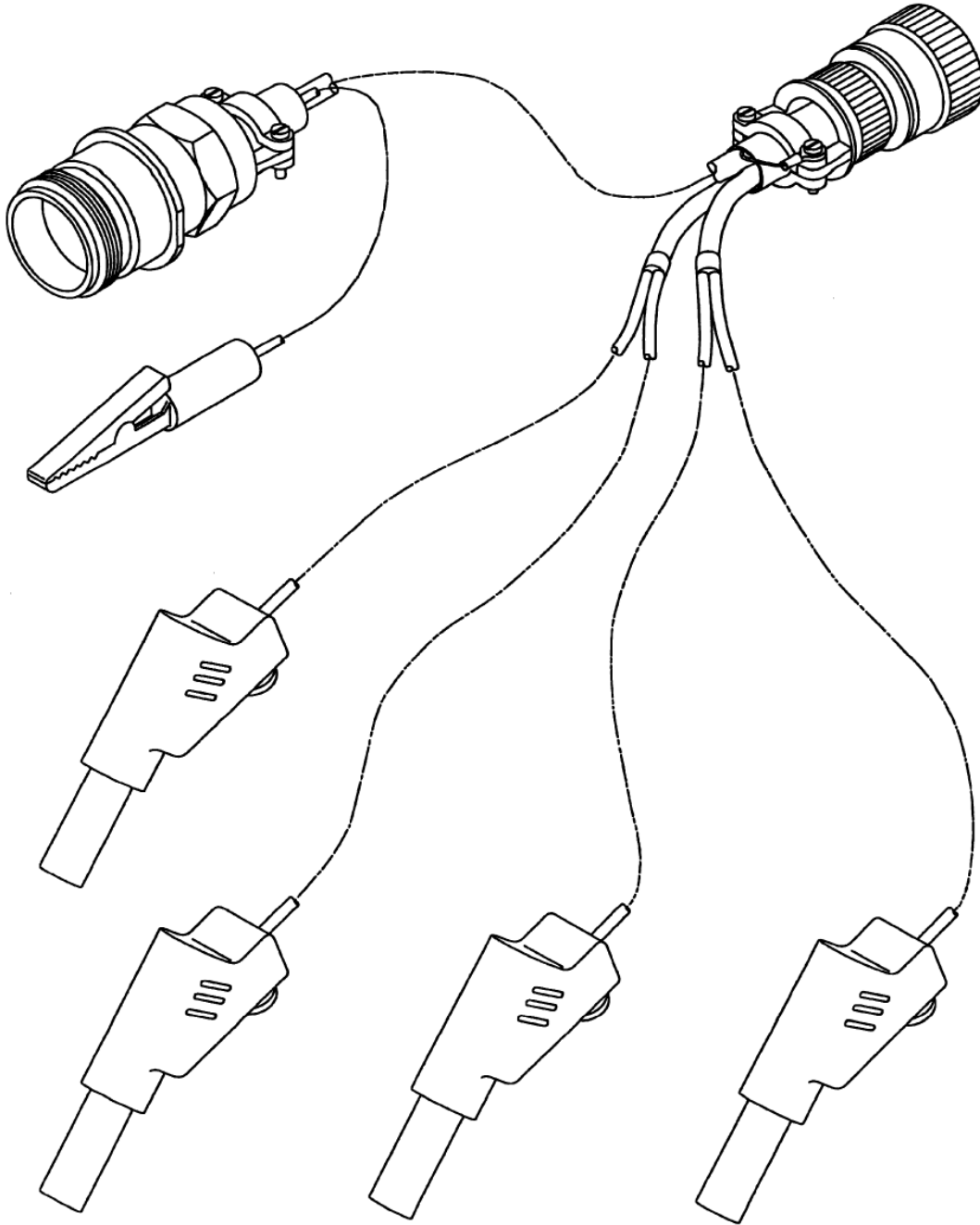
	TOOL			P/N	DESCRIPTION	QTY
	OT No.	Ind.	Ind.			
1	40 0290			8818340000	ADAPTATION UNION	1

- ITEM NOT ILLUSTRATED

NP NON PROCURABLE

**8819394000**

*Description: HARNESS*





# SAFRAN HELICOPTER ENGINES

## ARRIUS 2 F

MAINTENANCE TOOLS CATALOG

<i>Description</i>	<i>Part Number</i>
<b>HARNESS</b>	<b>8819394000</b>

<i>This tool replaces the tool</i>
------------------------------------

<i>Supply code</i>	<i>Calibration frequency</i>	<i>Functional criteria check</i>
3 - 2	N/A	N/A

<b>Use</b>	Harness used to monitor the oil pressure and transmitter.
------------	---

<b>Use particularity</b>	It is used with tools TM0807G001 and TM1609G001 and 8818340000.
--------------------------	---

<i>Alternate</i>	<i>Part Number</i>	<i>Description</i>

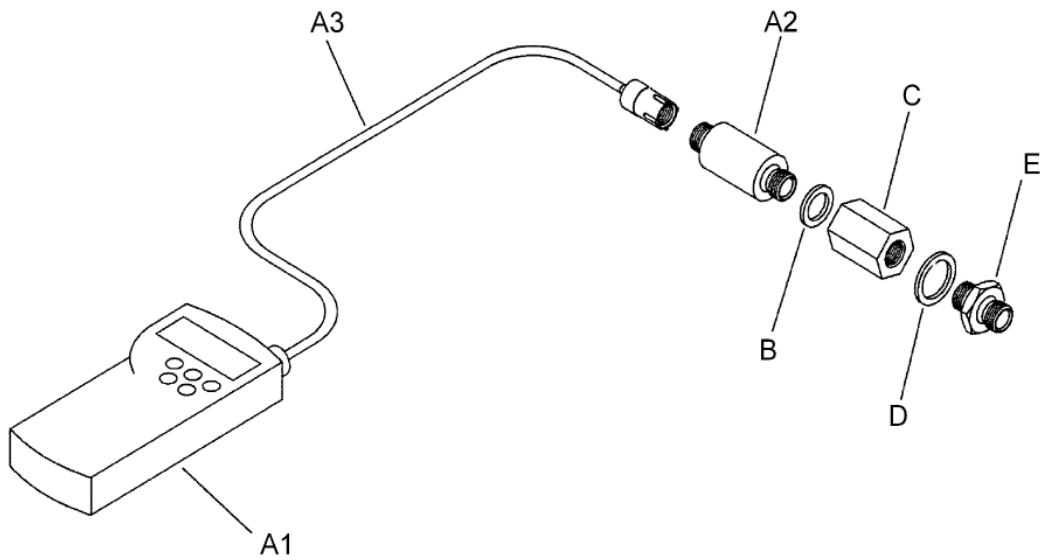
TOOL				P/N	DESCRIPTION	QTY
OT No.	Ind.	Ind.		1 2 3		
40 0300			8819394000	HARNESS		1

- ITEM NOT ILLUSTRATED

NP NON PROCURABLE

TM1609G001

Description: POCKET, MANOMETER



# SAFRAN HELICOPTER ENGINES

## ARRIUS 2 F

MAINTENANCE TOOLS CATALOG

Description	Part Number
POCKET, MANOMETER	TM1609G001

<i>This tool replaces the tool</i>
------------------------------------

Supply code	Calibration frequency	Functional criteria check
3 - 1	12	N/A

<b>Use</b>	Case used to for pressure inspections.
------------	--

<b>Use particularity</b>	
--------------------------	--

Alternate	Part Number	Description
	8818457000, TM0831G001	POCKET, MANOMETER

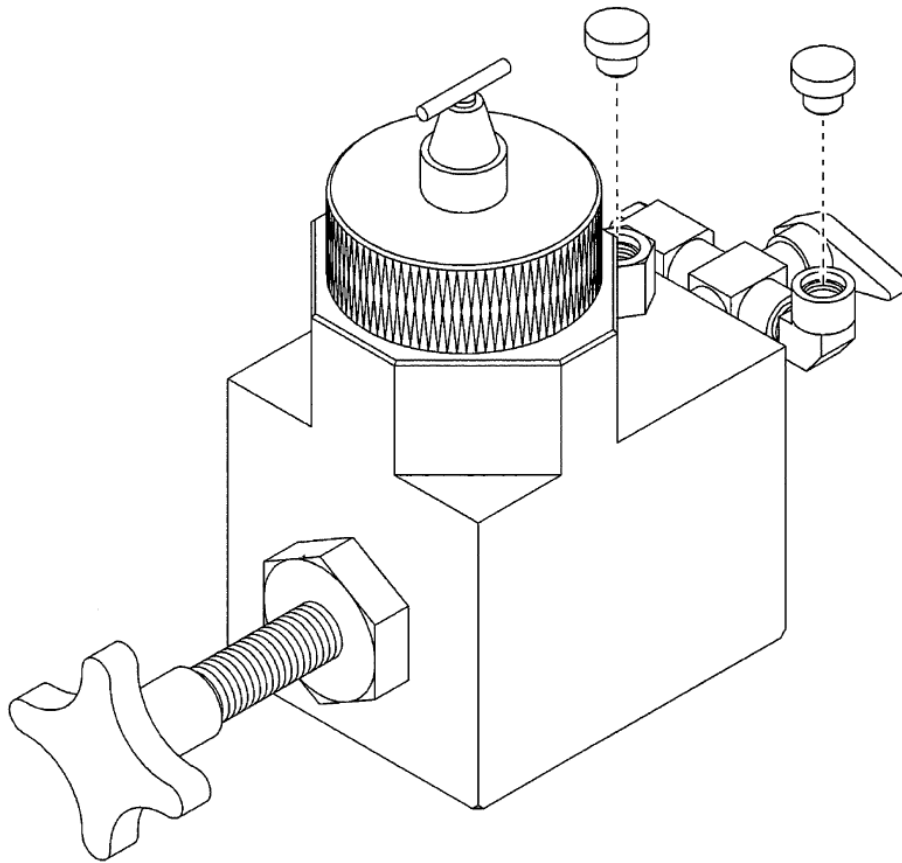
	TOOL			P/N	DESCRIPTION	QTY
	OT No.	Ind.	Ind.			
					1 2 3	
-	40 0360			TM1609G001	POCKET, MANOMETER	1
	40 0360	A		TM1608G001	. MEASURING SYSTEM	1
	40 0360	A	1	TM1608P001	. . DIGITAL INDICATOR	1
	40 0360	A	2	TM1608P002	. . SENSOR PRESSURE	1
	40 0360	A	3	TM1608P003	. . SHIELDED CONNECTION HARNESS	1
	40 0360	B		9752010044	. FLAT SEAL	1
	40 0360	C		8815099420	. ADAPTER	1
	40 0360	D		9752014044	. FLAT SEAL	1
	40 0360	E		9770060034	. NIPPLE, DOUBLE	1

- ITEM NOT ILLUSTRATED

NP NON PROCURABLE

TM0807G001

Description: HYDRAULIC PRESSURE GENERATOR



# TURBOMECA ARRIUS 2 F

## MAINTENANCE TOOLS CATALOG

<i>Description</i>	<i>Part Number</i>
HYDRAULIC PRESSURE GENERATOR	TM0807G001

<i>This tool replaces the tool</i>
------------------------------------

<i>Supply code</i>	<i>Calibration frequency</i>	<i>Functional criteria check</i>
3 - 2	N/A	N/A

<b>Use</b>	Tool used to check the pressure strength of the pressure switches.
------------	--

<b>Use particularity</b>	
--------------------------	--

<i>Alternate</i>	<i>Part Number</i>	<i>Description</i>
	8818870000	HYDRAULIC PRESSURE GENERATOR

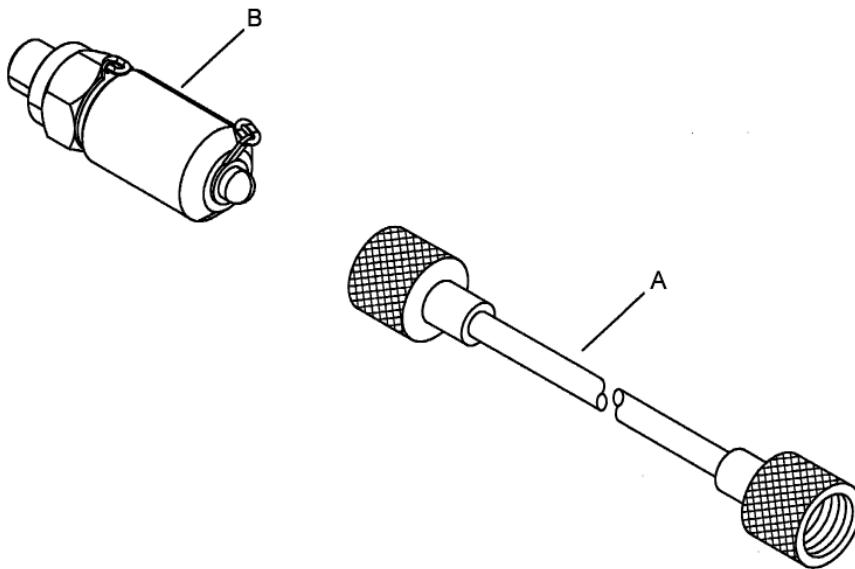
TOOL				P/N	DESCRIPTION	QTY
OT No.	Ind.	Ind.		1 2 3		
- 40 0370			TM0807G001	HYDRAULIC PRESSURE GENERATOR		1
- 40 0370	A		9561490100	. PLUG		2
- 40 0370	B		TM0807P006	. ADAPTER M10X100 - 1/8 GAZ		2
- 40 0370	C		TM0807P011	. BONDED WASHER		2

- ITEM NOT ILLUSTRATED

NP NON PROCURABLE

TM1330G001

Description: PIPE



# SAFRAN HELICOPTER ENGINES

## ARRIUS 2 F

MAINTENANCE TOOLS CATALOG

<i>Description</i>	<i>Part Number</i>
PIPE	TM1330G001

<i>This tool replaces the tool</i>
------------------------------------

<i>Supply code</i>	<i>Calibration frequency</i>	<i>Functional criteria check</i>
3 - 2	N/A	N/A

<b>Use</b>	Pipe used to check the torquemeter transmitter
------------	--

<b>Use particularity</b>	It is used with tools TM0807G001 and TM5379G001 .
--------------------------	---

<i>Alternate</i>	<i>Part Number</i>	<i>Description</i>

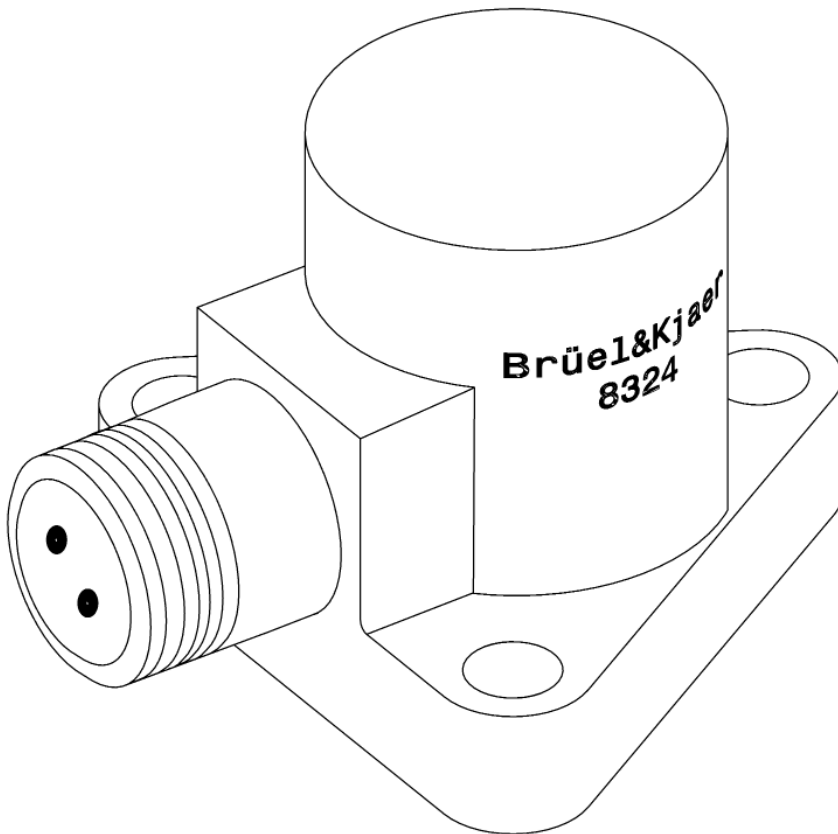
TOOL				P/N	DESCRIPTION	QTY
OT No.	Ind.	Ind.		1 2 3		
40 0380			TM1330G001	PIPE		1
40 0380	A		TM1330P001	. PIPE		1
40 0380	B		9610080670	. PLUG TO BE SCREWED		1

- ITEM NOT ILLUSTRATED

NP NON PROCURABLE

9610017700

Description: ACCELEROMETER B&K 8324





# SAFRAN HELICOPTER ENGINES

## ARRIUS 2 F

MAINTENANCE TOOLS CATALOG

<i>Description</i>	<i>Part Number</i>
ACCELEROMETER B&K 8324	9610017700

<i>This tool replaces the tool</i>
------------------------------------

<i>Supply code</i>	<i>Calibration frequency</i>	<i>Functional criteria check</i>
3 - 1	12	N/A

<b>Use</b>	Tool used for the check of the vibratory level of the engine
------------	--

<b>Use particularity</b>	
--------------------------	--

<i>Alternate</i>	<i>Part Number</i>	<i>Description</i>

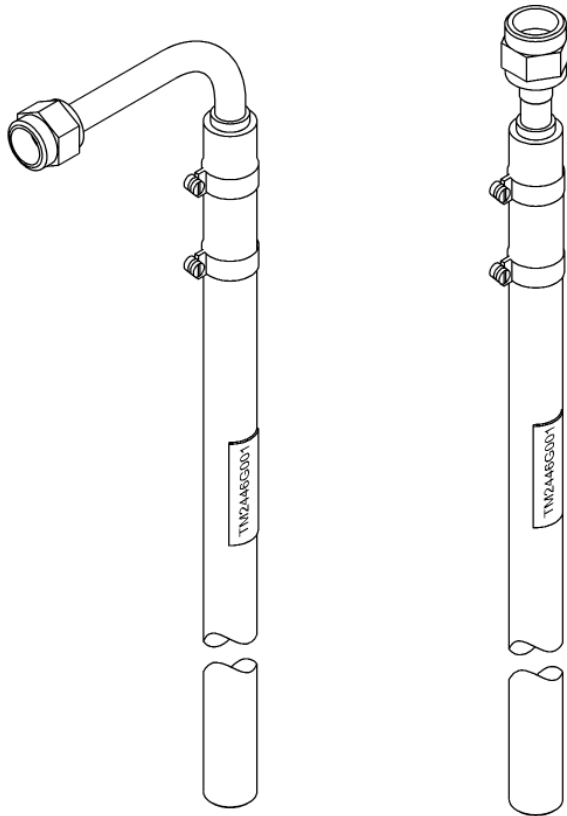
	TOOL			P/N	DESCRIPTION	QTY
	OT No.	Ind.	Ind.			
I	40 0410			9610017700	1 2 3 ACCELEROMETER B&K 8324	1

- ITEM NOT ILLUSTRATED

NP NON PROCURABLE

TM2446G001

Description: CHECK TOOL



# SAFRAN HELICOPTER ENGINES

## ARRIUS 2 F

MAINTENANCE TOOLS CATALOG

<i>Description</i>	<i>Part Number</i>
CHECK TOOL	TM2446G001

<i>This tool replaces the tool</i>
------------------------------------

<i>Supply code</i>	<i>Calibration frequency</i>	<i>Functional criteria check</i>
3 - 2	N/A	N/A

<i>Use</i>	
------------	--

<i>Use particularity</i>	
--------------------------	--

<i>Alternate</i>	<i>Part Number</i>	<i>Description</i>

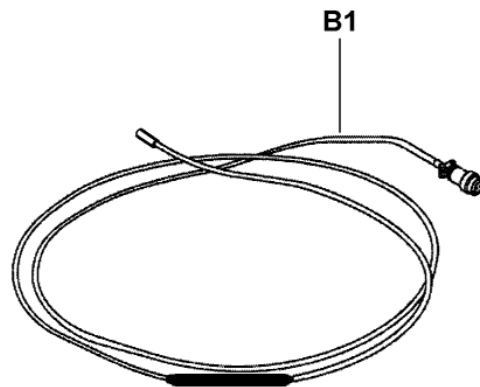
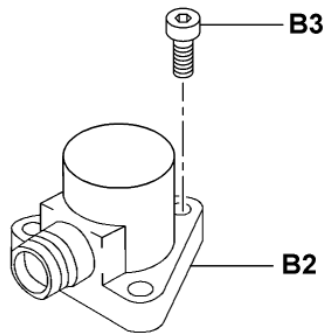
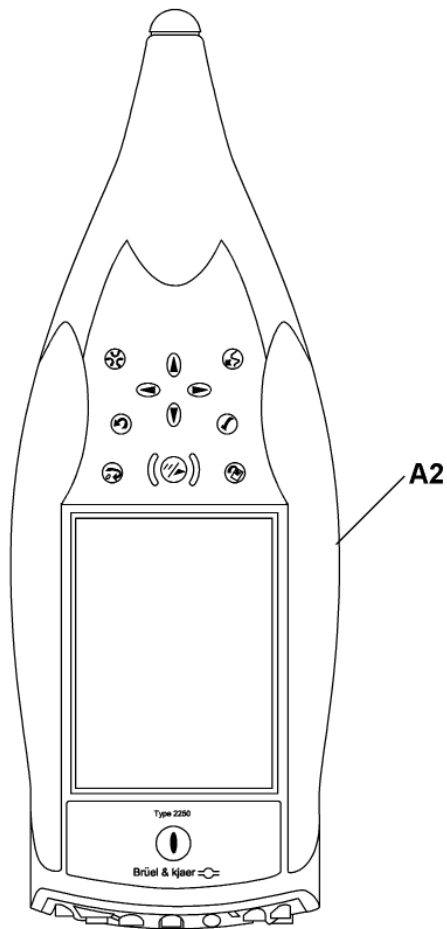
TOOL				P/N	DESCRIPTION	QTY
OT No.	Ind.	Ind.		1 2 3		
40 0440			TM2446G001	CHECK TOOL		1

- ITEM NOT ILLUSTRATED

NP NON PROCURABLE

TM4865G001

Description: KIT, VIBRATIONS TEST B&K 3656-A



# SAFRAN HELICOPTER ENGINES

## ARRIUS 2 F

MAINTENANCE TOOLS CATALOG

Description	Part Number
KIT, VIBRATIONS TEST B&K 3656-A	TM4865G001

<i>This tool replaces the tool</i>
------------------------------------

Supply code	Calibration frequency	Functional criteria check
3 - 1	12	N/A

<b>Use</b>	Tool used for the check of the vibratory level of the engine
<b>Use particularity</b>	

Alternate	Part Number	Description

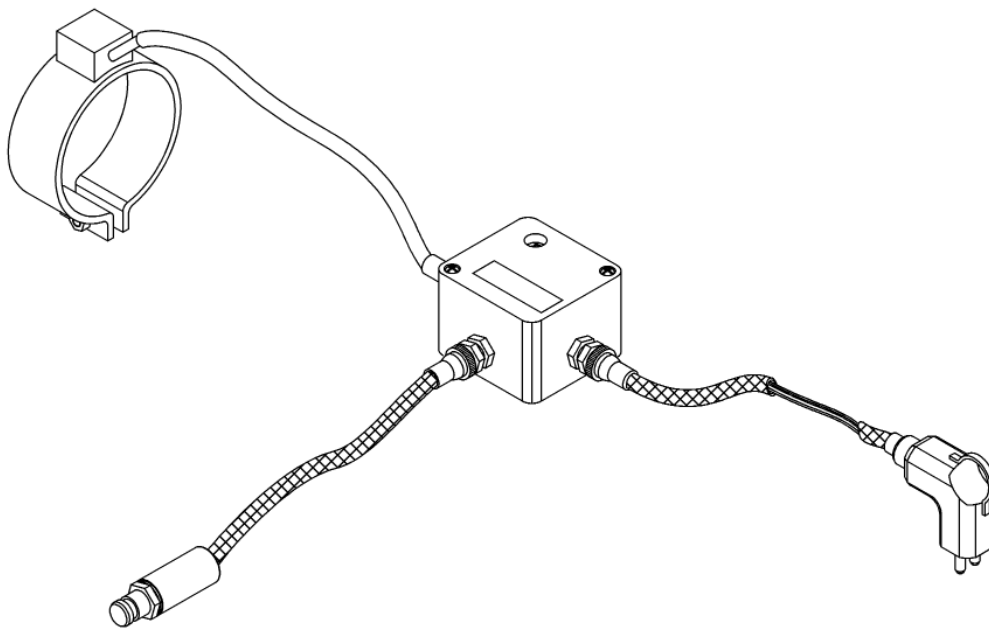
	TOOL			P/N	DESCRIPTION	QTY
	OT No.	Ind.	Ind.			
	40 0460			TM4865G001	KIT, VIBRATIONS TEST B&K 3656-A	1
-	40 0460	A		TM5351G001	. ACQUISITION SYSTEM B&K 2250-H-100	1
-	40 0460	A	1	TM5351G101	. . PACKAGING B&K KE-0440	1
	40 0460	A	2	TM5351G201	. . VIBROMETER B&K 2250-H-001	NP
-	40 0460	A	3	TM5351P201	. . BOX B&K 2250	NP
-	40 0460	A	4	TM5351P202	. . BATTERY B&K QB-0061	1
-	40 0460	A	5	TM5351P203	. . COVER B&K FB-0679	1
-	40 0460	A	6	TM5351P204	. . PROTECTION PLUG B&K DD-0594	1
-	40 0460	A	7	TM5351G301	. . SD CARD B&K UL-1009	NP
-	40 0460	A	8	TM5351G401	. . ACQUISITION SOFTWARE B&K BZ-7226	1
-	40 0460	A	9	TM5351G501	. . MAINS ADAPTATOR B&K ZG-0426	1
-	40 0460	A	10	TM5351G601	. . USB/MINI USB ADAPTATOR B&K AO-1476	1
-	40 0460	A	11	TM5351G701	. . STYLET B&K UA-1654	5
-	40 0460	B		TM5352G001	. PACKAGING AND MEASURE KIT B&K 8324-G-002	1
	40 0460	B	1	TM5352G101	. . CHARGE TO DELTATRON CONVERTER B&K 2647-D-004	1
	40 0460	B	2	9610017700	. . HIGH TEMPERATURE ACCELEROMETER B&K 8324	1
	40 0460	B	3	1616040107	. . SCREW CHC M4x10 B&K YS-8407	3

- ITEM NOT ILLUSTRATED

NP NON PROCURABLE

TM5040G001

Description: EQUIPPED HEATING CLAMP



# TURBOMECA ARRIUS 2 F

## MAINTENANCE TOOLS CATALOG

<i>Description</i>	<i>Part Number</i>
<b>EQUIPPED HEATING CLAMP</b>	<b>TM5040G001</b>

<i>This tool replaces the tool</i>
------------------------------------

<i>Supply code</i>	<i>Calibration frequency</i>	<i>Functional criteria check</i>
3 - 2	N/A	N/A

<i>Use</i>	
------------	--

<i>Use particularity</i>	
--------------------------	--

<i>Alternate</i>	<i>Part Number</i>	<i>Description</i>

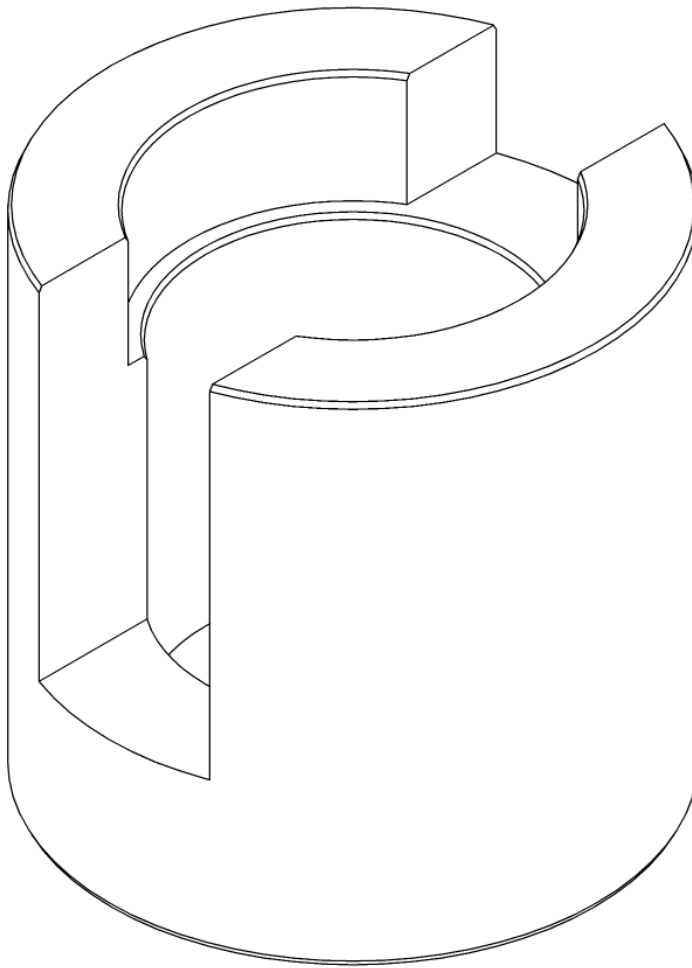
	TOOL			P/N	DESCRIPTION	QTY
	OT No.	Ind.	Ind.			
1	40 0500			TM5040G001	EQUIPPED HEATING CLAMP	1

- ITEM NOT ILLUSTRATED

NP NON PROCURABLE

**TA5150G001**

*Description: MOULDING*





# TURBOMECA ARRIUS 2 F

## MAINTENANCE TOOLS CATALOG

<i>Description</i>		<i>Part Number</i>
MOULDING		TA5150G001
<i>This tool replaces the tool</i>		
<i>Supply code</i>	<i>Calibration frequency</i>	<i>Functional criteria check</i>
3 - 2	N/A	N/A
<i>Use</i>		
<i>Use particularity</i>		
<i>Alternate</i>	<i>Part Number</i>	<i>Description</i>

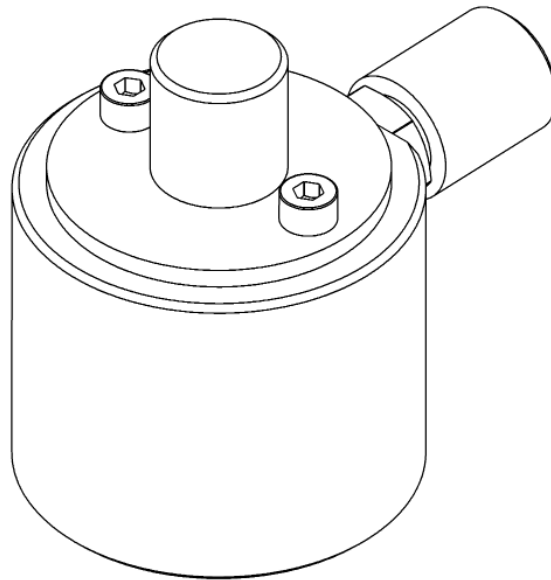
	TOOL			P/N	DESCRIPTION	QTY
	OT No.	Ind.	Ind.			
I	40 0510			TA5150G001	MOULDING	1

- ITEM NOT ILLUSTRATED

NP NON PROCURABLE

**TM5596G001**

*Description: ADAPTER*



# TURBOMECA ARRIUS 2 F

## MAINTENANCE TOOLS CATALOG

<i>Description</i>		<i>Part Number</i>
ADAPTER		TM5596G001
<i>This tool replaces the tool</i>		
<i>Supply code</i>	<i>Calibration frequency</i>	<i>Functional criteria check</i>
3 - 2	N/A	N/A
<i>Use</i>	Adaptation tool for the fuel filter pre-clogging pressure switch.	
<i>Use particularity</i>		
<i>Alternate</i>	<i>Part Number</i>	<i>Description</i>

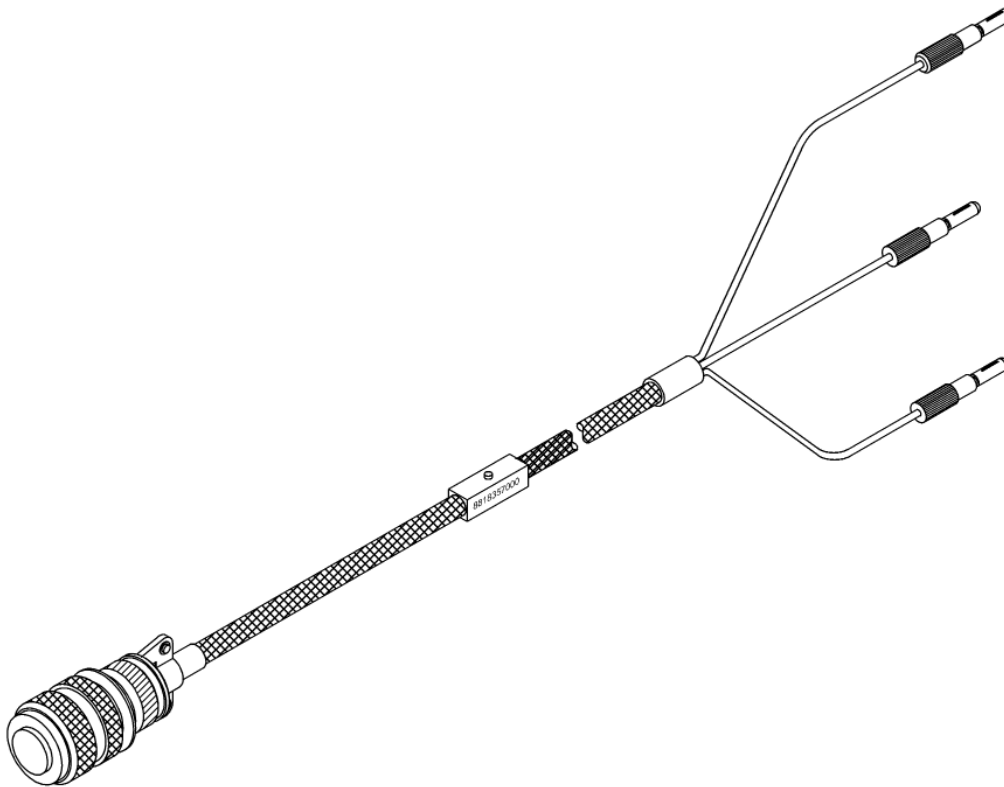
	TOOL			P/N	DESCRIPTION	QTY
	OT No.	Ind.	Ind.			
I	40 0550			TM5596G001	ADAPTER	1

- ITEM NOT ILLUSTRATED

NP NON PROCURABLE

**8818357000**

*Description: HARNESS*



# SAFRAN HELICOPTER ENGINES

## ARRIUS 2 F

MAINTENANCE TOOLS CATALOG

<i>Description</i>	<i>Part Number</i>
<b>HARNESS</b>	<b>8818357000</b>

<i>This tool replaces the tool</i>
------------------------------------

<i>Supply code</i>	<i>Calibration frequency</i>	<i>Functional criteria check</i>
3 - 2	N/A	N/A

<i>Use</i>	
------------	--

<i>Use particularity</i>	
--------------------------	--

<i>Alternate</i>	<i>Part Number</i>	<i>Description</i>

TOOL				P/N	DESCRIPTION	QTY
OT No.	Ind.	Ind.		1 2 3		
40 0570			8818357000	HARNESS		1

- ITEM NOT ILLUSTRATED

NP NON PROCURABLE

9610064970

Description: SYNTESTER



# SAFRAN HELICOPTER ENGINES

## ARRIUS 2 F

MAINTENANCE TOOLS CATALOG

<i>Description</i>	<i>Part Number</i>
<b>SYNTESTER</b>	<b>9610064970</b>

<i>This tool replaces the tool</i>
------------------------------------

<i>Supply code</i>	<i>Calibration frequency</i>	<i>Functional criteria check</i>
3 - 2	N/A	N/A

<i>Use</i>	Tooling that allows the control of the SYNTHAM 2000.4 measurement chain.
------------	--

<i>Use particularity</i>	
--------------------------	--

<i>Alternate</i>	<i>Part Number</i>	<i>Description</i>

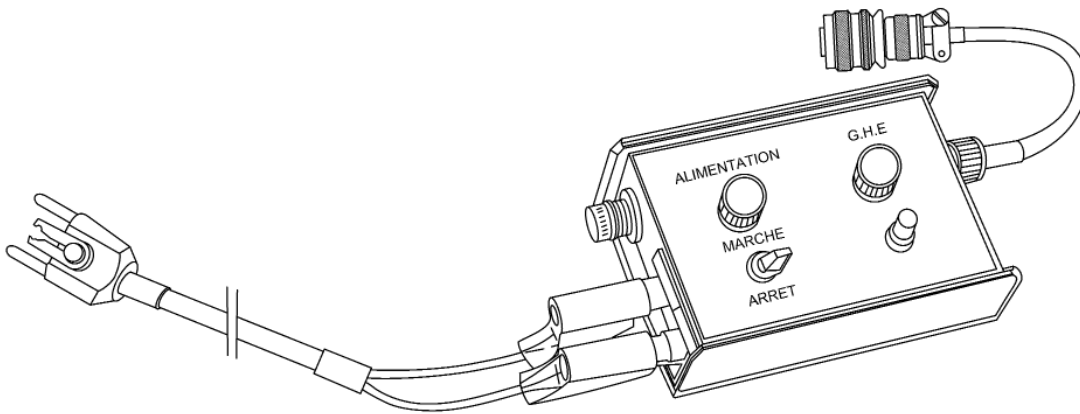
	TOOL			P/N	DESCRIPTION	QTY
	OT No.	Ind.	Ind.			
I	40 0600			9610064970	SYNTESTER	1

- ITEM NOT ILLUSTRATED

NP NON PROCURABLE

8816445000

Description: CONTROL BOX





# SAFRAN HELICOPTER ENGINES

## ARRIUS 2 F

MAINTENANCE TOOLS CATALOG

<i>Description</i>	<i>Part Number</i>
CONTROL BOX	8816445000

<i>This tool replaces the tool</i>
------------------------------------

<i>Supply code</i>	<i>Calibration frequency</i>	<i>Functional criteria check</i>
3 - 2	N/A	N/A

<i>Use</i>	
------------	--

<i>Use particularity</i>	
--------------------------	--

<i>Alternate</i>	<i>Part Number</i>	<i>Description</i>

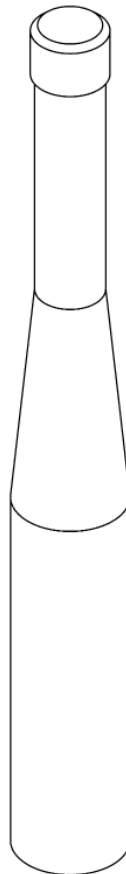
TOOL				P/N	DESCRIPTION	QTY
OT No.	Ind.	Ind.		1 2 3		
40 0700			8816445000	CONTROL BOX		1

- ITEM NOT ILLUSTRATED

NP NON PROCURABLE

TM0466G001

Description: ASSEMBLY CONE



# SAFRAN HELICOPTER ENGINES

## ARRIUS 2 F

MAINTENANCE TOOLS CATALOG

<i>Description</i>	<i>Part Number</i>
<b>ASSEMBLY CONE</b>	<b>TM0466G001</b>

<i>This tool replaces the tool</i>
------------------------------------

<i>Supply code</i>	<i>Calibration frequency</i>	<i>Functional criteria check</i>
3 - 3	N/A	N/A

<i>Use</i>	
------------	--

<i>Use particularity</i>	
--------------------------	--

<i>Alternate</i>	<i>Part Number</i>	<i>Description</i>

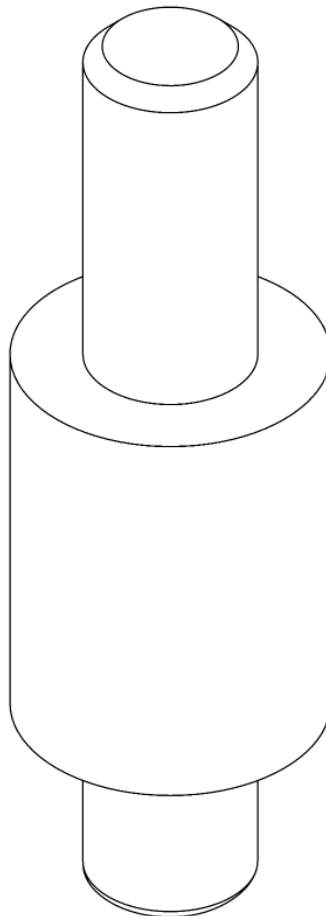
	TOOL			P/N	DESCRIPTION	QTY
	OT No.	Ind.	Ind.			
I	50 0010			TM0466G001	ASSEMBLY CONE	1

- ITEM NOT ILLUSTRATED

NP NON PROCURABLE

8819849000

Description: INSTALLATION TOOL



# SAFRAN HELICOPTER ENGINES

## ARRIUS 2 F

MAINTENANCE TOOLS CATALOG

<i>Description</i>	<i>Part Number</i>
INSTALLATION TOOL	8819849000

<i>This tool replaces the tool</i>
------------------------------------

<i>Supply code</i>	<i>Calibration frequency</i>	<i>Functional criteria check</i>
3 - 2	N/A	N/A

<i>Use</i>	
------------	--

<i>Use particularity</i>	
--------------------------	--

<i>Alternate</i>	<i>Part Number</i>	<i>Description</i>

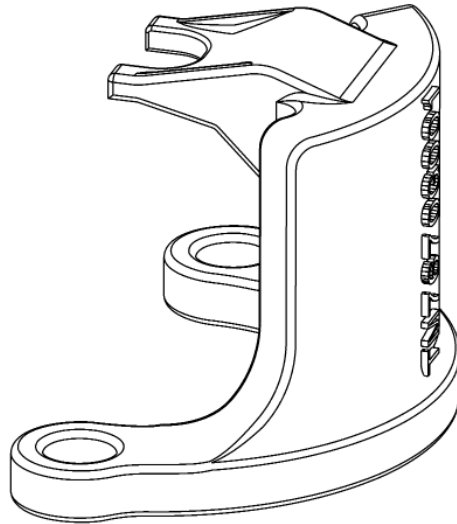
	TOOL			P/N	DESCRIPTION	QTY
	OT No.	Ind.	Ind.			
I	50 0020			8819849000	1 2 3 INSTALLATION TOOL	1

- ITEM NOT ILLUSTRATED

NP NON PROCURABLE

TM7670G001

Description: RETAINING TOOL



# SAFRAN HELICOPTER ENGINES

## ARRIUS 2 F

MAINTENANCE TOOLS CATALOG

<i>Description</i>	<i>Part Number</i>
RETAINING TOOL	TM7670G001

<i>This tool replaces the tool</i>
------------------------------------

<i>Supply code</i>	<i>Calibration frequency</i>	<i>Functional criteria check</i>
3 - 2	N/A	N/A

<i>Use</i>	
------------	--

<i>Use particularity</i>	
--------------------------	--

<i>Alternate</i>	<i>Part Number</i>	<i>Description</i>

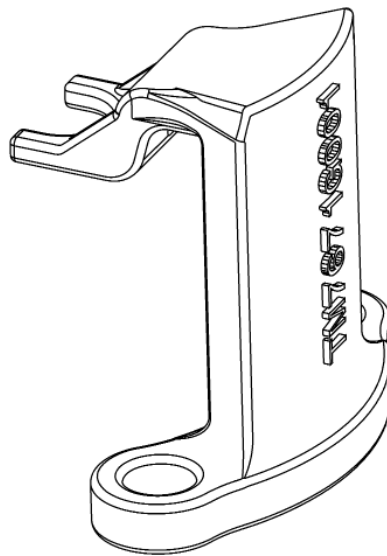
	TOOL			P/N	DESCRIPTION	QTY
	OT No.	Ind.	Ind.			
I	50 0030			TM7670G001	RETAINING TOOL	1

- ITEM NOT ILLUSTRATED

NP NON PROCURABLE

TM7671G001

Description: RETAINING TOOL





# SAFRAN HELICOPTER ENGINES

## ARRIUS 2 F

MAINTENANCE TOOLS CATALOG

<i>Description</i>	<i>Part Number</i>
RETAINING TOOL	TM7671G001

<i>This tool replaces the tool</i>
------------------------------------

<i>Supply code</i>	<i>Calibration frequency</i>	<i>Functional criteria check</i>
3 - 2	N/A	N/A

<i>Use</i>	
------------	--

<i>Use particularity</i>	
--------------------------	--

<i>Alternate</i>	<i>Part Number</i>	<i>Description</i>

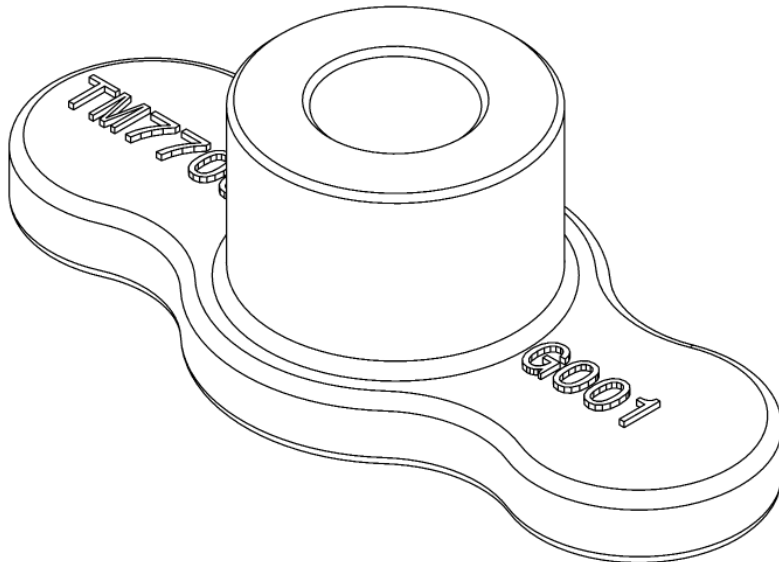
	TOOL			P/N	DESCRIPTION	QTY
	OT No.	Ind.	Ind.			
I	50 0040			TM7671G001	RETAINING TOOL	1

- ITEM NOT ILLUSTRATED

NP NON PROCURABLE

TM7706G001

Description: INSTALLATION TOOL



# SAFRAN HELICOPTER ENGINES

## ARRIUS 2 F

MAINTENANCE TOOLS CATALOG

<i>Description</i>	<i>Part Number</i>
INSTALLATION TOOL	TM7706G001

<i>This tool replaces the tool</i>
------------------------------------

<i>Supply code</i>	<i>Calibration frequency</i>	<i>Functional criteria check</i>
3 - 2	N/A	N/A

<i>Use</i>	
------------	--

<i>Use particularity</i>	
--------------------------	--

<i>Alternate</i>	<i>Part Number</i>	<i>Description</i>

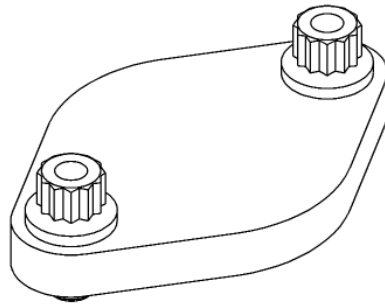
	TOOL			P/N	DESCRIPTION	QTY
	OT No.	Ind.	Ind.			
I	50 0050			TM7706G001	INSTALLATION TOOL	1

- ITEM NOT ILLUSTRATED

NP NON PROCURABLE

TM4585G001

Description: PLUG



# SAFRAN HELICOPTER ENGINES

## ARRIUS 2 F

MAINTENANCE TOOLS CATALOG

<i>Description</i>	<i>Part Number</i>
<b>PLUG</b>	<b>TM4585G001</b>

<i>This tool replaces the tool</i>
------------------------------------

<i>Supply code</i>	<i>Calibration frequency</i>	<i>Functional criteria check</i>
3 - 2	N/A	N/A

<i>Use</i>	
------------	--

<i>Use particularity</i>	
--------------------------	--

<i>Alternate</i>	<i>Part Number</i>	<i>Description</i>

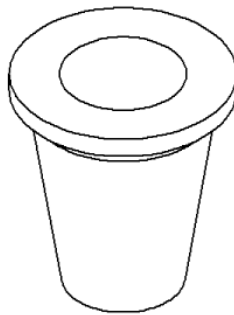
	TOOL			P/N	DESCRIPTION	QTY
	OT No.	Ind.	Ind.			
1	50 3040			TM4585G001	1 2 3 PLUG	1

- ITEM NOT ILLUSTRATED

NP NON PROCURABLE

9561490180

Description: PLUG



# SAFRAN HELICOPTER ENGINES

## ARRIUS 2 F

MAINTENANCE TOOLS CATALOG

<i>Description</i>	<i>Part Number</i>
<b>PLUG</b>	<b>9561490180</b>

<i>This tool replaces the tool</i>
------------------------------------

<i>Supply code</i>	<i>Calibration frequency</i>	<i>Functional criteria check</i>
3 - 2	N/A	N/A

<i>Use</i>	
------------	--

<i>Use particularity</i>	
--------------------------	--

<i>Alternate</i>	<i>Part Number</i>	<i>Description</i>

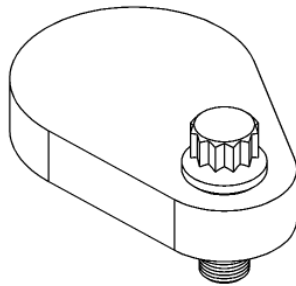
TOOL				P/N	DESCRIPTION	QTY
OT No.	Ind.	Ind.	1 2 3			
50 3050				9561490180	PLUG	1

- ITEM NOT ILLUSTRATED

NP NON PROCURABLE

TM4582G001

Description: PLUG





# SAFRAN HELICOPTER ENGINES

## ARRIUS 2 F

MAINTENANCE TOOLS CATALOG

<i>Description</i>	<i>Part Number</i>
<b>PLUG</b>	<b>TM4582G001</b>

<i>This tool replaces the tool</i>
------------------------------------

<i>Supply code</i>	<i>Calibration frequency</i>	<i>Functional criteria check</i>
3 - 2	N/A	N/A

<i>Use</i>	
------------	--

<i>Use particularity</i>	
--------------------------	--

<i>Alternate</i>	<i>Part Number</i>	<i>Description</i>

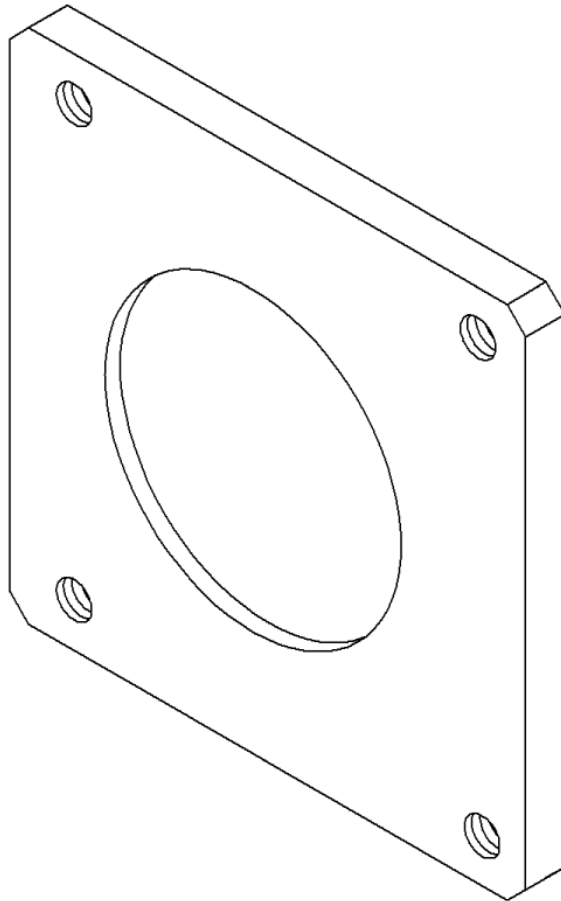
	TOOL			P/N	DESCRIPTION	QTY
	OT No.	Ind.	Ind.			
1	50 3060			TM4582G001	PLUG	7

- ITEM NOT ILLUSTRATED

NP NON PROCURABLE

8816228000

Description: PROTECTOR



# SAFRAN HELICOPTER ENGINES

## ARRIUS 2 F

MAINTENANCE TOOLS CATALOG

<i>Description</i>	<i>Part Number</i>
PROTECTOR	8816228000

<i>This tool replaces the tool</i>
------------------------------------

<i>Supply code</i>	<i>Calibration frequency</i>	<i>Functional criteria check</i>
3 - 2	N/A	N/A

<i>Use</i>	
------------	--

<i>Use particularity</i>	
--------------------------	--

<i>Alternate</i>	<i>Part Number</i>	<i>Description</i>

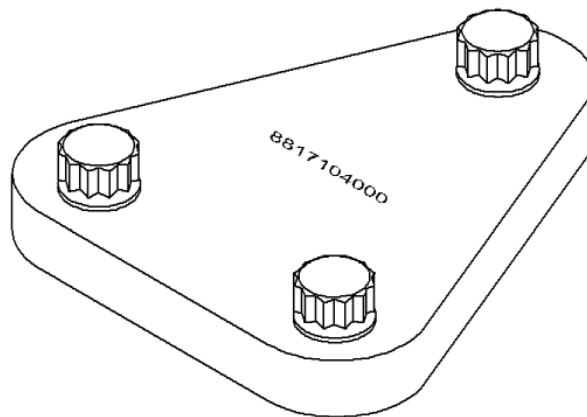
TOOL				P/N	DESCRIPTION	QTY
OT No.	Ind.	Ind.		1 2 3		
50 3080			8816228000	PROTECTOR		1

- ITEM NOT ILLUSTRATED

NP NON PROCURABLE

TM4362G001

Description: PLUG



# SAFRAN HELICOPTER ENGINES

## ARRIUS 2 F

MAINTENANCE TOOLS CATALOG

<i>Description</i>	<i>Part Number</i>
<b>PLUG</b>	<b>TM4362G001</b>

<i>This tool replaces the tool</i>
------------------------------------

<i>Supply code</i>	<i>Calibration frequency</i>	<i>Functional criteria check</i>
3 - 2	N/A	N/A

<i>Use</i>	
------------	--

<i>Use particularity</i>	
--------------------------	--

<i>Alternate</i>	<i>Part Number</i>	<i>Description</i>

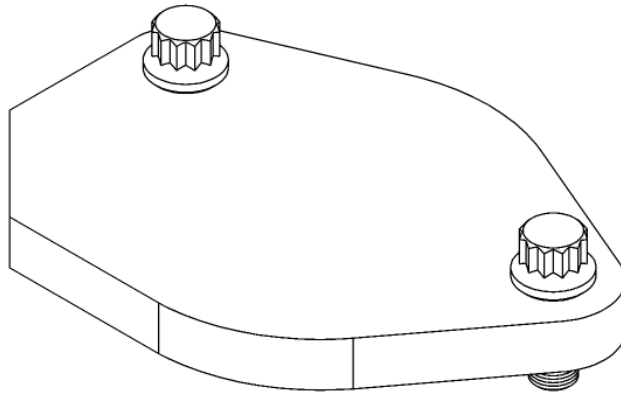
	TOOL			P/N	DESCRIPTION	QTY
	OT No.	Ind.	Ind.			
1	50 3090			TM4362G001	PLUG	1

- ITEM NOT ILLUSTRATED

NP NON PROCURABLE

TM4583G001

Description: PLUG



# SAFRAN HELICOPTER ENGINES

## ARRIUS 2 F

MAINTENANCE TOOLS CATALOG

<i>Description</i>	<i>Part Number</i>
<b>PLUG</b>	<b>TM4583G001</b>

<i>This tool replaces the tool</i>
------------------------------------

<i>Supply code</i>	<i>Calibration frequency</i>	<i>Functional criteria check</i>
3 - 2	N/A	N/A

<i>Use</i>	
------------	--

<i>Use particularity</i>	
--------------------------	--

<i>Alternate</i>	<i>Part Number</i>	<i>Description</i>

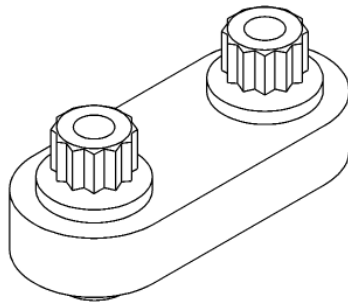
	TOOL			P/N	DESCRIPTION	QTY
	OT No.	Ind.	Ind.			
I	50 3130			TM4583G001	PLUG	1

- ITEM NOT ILLUSTRATED

NP NON PROCURABLE

TM4584G001

Description: PLUG





# SAFRAN HELICOPTER ENGINES

## ARRIUS 2 F

MAINTENANCE TOOLS CATALOG

<i>Description</i>	<i>Part Number</i>
<b>PLUG</b>	<b>TM4584G001</b>

<i>This tool replaces the tool</i>
------------------------------------

<i>Supply code</i>	<i>Calibration frequency</i>	<i>Functional criteria check</i>
3 - 2	N/A	N/A

<i>Use</i>	
------------	--

<i>Use particularity</i>	
--------------------------	--

<i>Alternate</i>	<i>Part Number</i>	<i>Description</i>

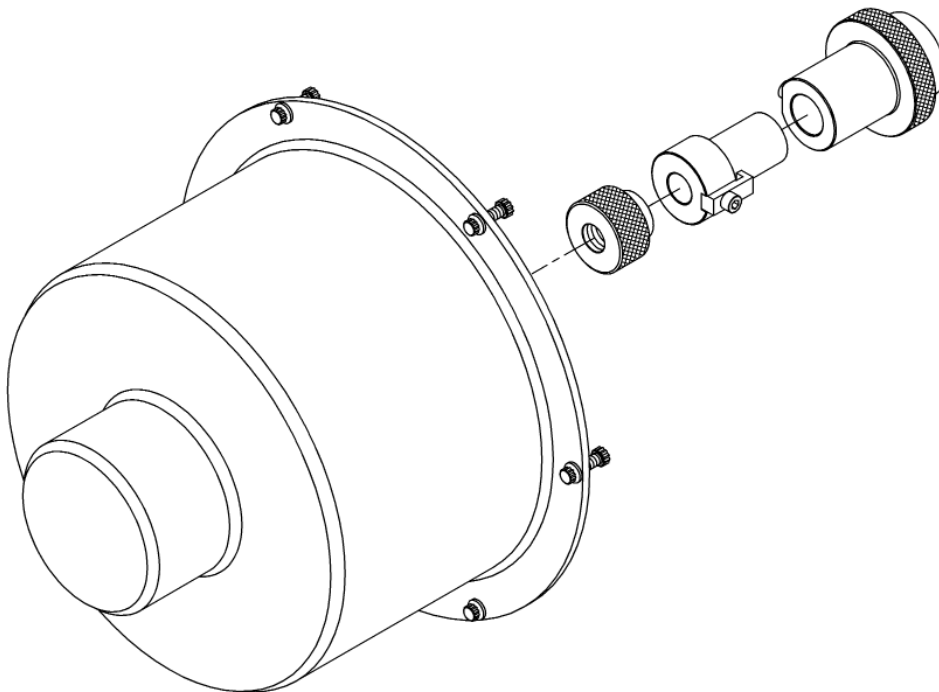
	TOOL			P/N	DESCRIPTION	QTY
	OT No.	Ind.	Ind.			
1	50 3140			TM4584G001	PLUG	1

- ITEM NOT ILLUSTRATED

NP NON PROCURABLE

8818656000

Description: PLUG



# SAFRAN HELICOPTER ENGINES

## ARRIUS 2 F

MAINTENANCE TOOLS CATALOG

<i>Description</i>	<i>Part Number</i>
<b>PLUG</b>	<b>8818656000</b>

<i>This tool replaces the tool</i>
------------------------------------

<i>Supply code</i>	<i>Calibration frequency</i>	<i>Functional criteria check</i>
3 - 2	N/A	N/A

<i>Use</i>	
------------	--

<i>Use particularity</i>	
--------------------------	--

<i>Alternate</i>	<i>Part Number</i>	<i>Description</i>

	TOOL			P/N	DESCRIPTION	QTY
	OT No.	Ind.	Ind.			
1	50 3160			8818656000	1 2 3 PLUG	1

- ITEM NOT ILLUSTRATED

NP NON PROCURABLE

8817102000

Description: PLUG



# SAFRAN HELICOPTER ENGINES

## ARRIUS 2 F

MAINTENANCE TOOLS CATALOG

<i>Description</i>	<i>Part Number</i>
<b>PLUG</b>	<b>8817102000</b>

<i>This tool replaces the tool</i>
------------------------------------

<i>Supply code</i>	<i>Calibration frequency</i>	<i>Functional criteria check</i>
3 - 2	N/A	N/A

<i>Use</i>	
------------	--

<i>Use particularity</i>	
--------------------------	--

<i>Alternate</i>	<i>Part Number</i>	<i>Description</i>

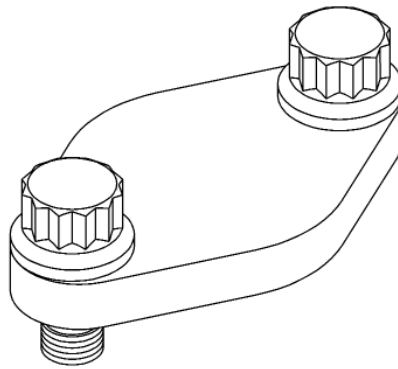
	TOOL			P/N	DESCRIPTION	QTY
	OT No.	Ind.	Ind.			
I	50 3220			8817102000	PLUG	2

- ITEM NOT ILLUSTRATED

NP NON PROCURABLE

TM4588G001

Description: PLUG



# SAFRAN HELICOPTER ENGINES

## ARRIUS 2 F

MAINTENANCE TOOLS CATALOG

<i>Description</i>	<i>Part Number</i>
<b>PLUG</b>	<b>TM4588G001</b>

<i>This tool replaces the tool</i>
------------------------------------

<i>Supply code</i>	<i>Calibration frequency</i>	<i>Functional criteria check</i>
3 - 2	N/A	N/A

<i>Use</i>	
------------	--

<i>Use particularity</i>	
--------------------------	--

<i>Alternate</i>	<i>Part Number</i>	<i>Description</i>

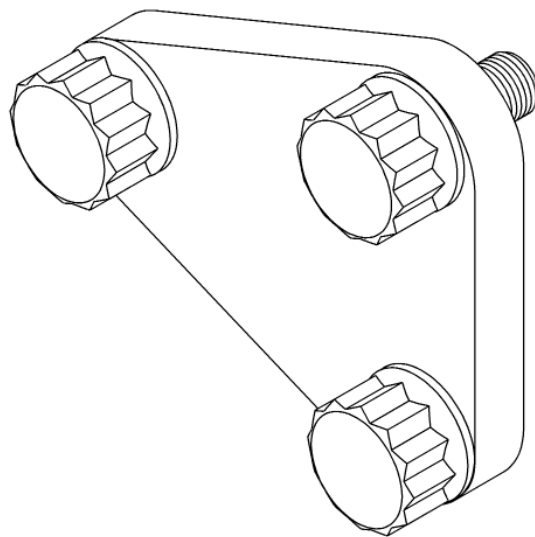
	TOOL			P/N	DESCRIPTION	QTY
	OT No.	Ind.	Ind.			
1	50 3230			TM4588G001	1 2 3 PLUG	1

- ITEM NOT ILLUSTRATED

NP NON PROCURABLE

TM0084G001

Description: PLUG





# SAFRAN HELICOPTER ENGINES

## ARRIUS 2 F

MAINTENANCE TOOLS CATALOG

<i>Description</i>	<i>Part Number</i>
<b>PLUG</b>	<b>TM0084G001</b>

<i>This tool replaces the tool</i>
------------------------------------

<i>Supply code</i>	<i>Calibration frequency</i>	<i>Functional criteria check</i>
3 - 2	N/A	N/A

<i>Use</i>	
------------	--

<i>Use particularity</i>	
--------------------------	--

<i>Alternate</i>	<i>Part Number</i>	<i>Description</i>

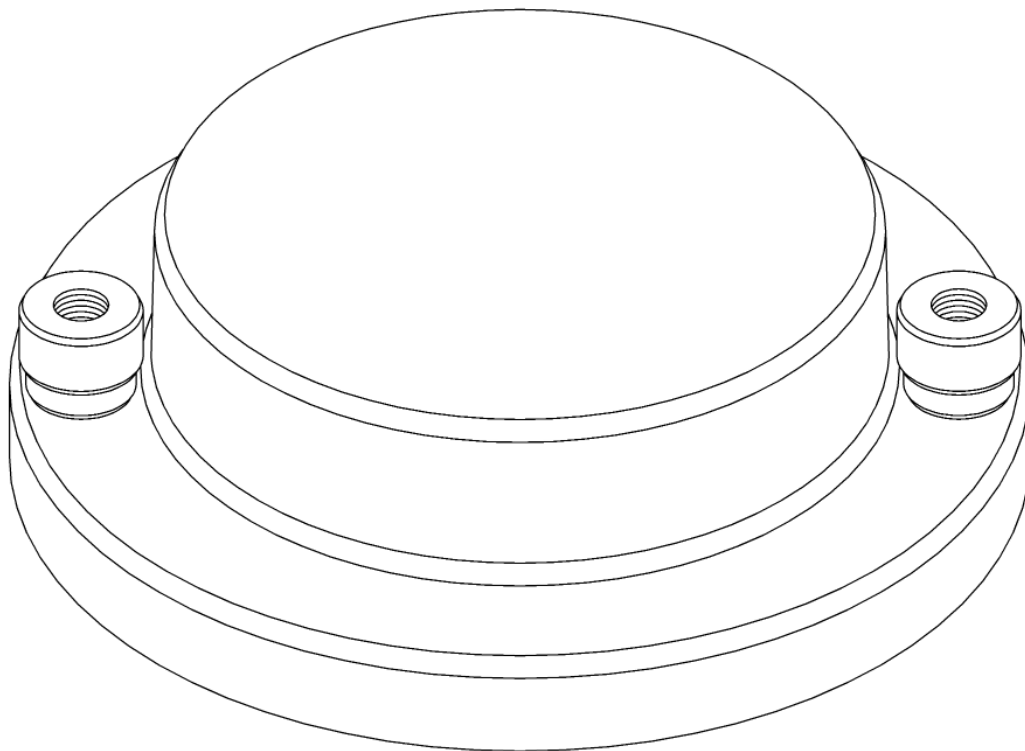
	TOOL			P/N	DESCRIPTION	QTY
	OT No.	Ind.	Ind.			
I	50 3240			TM0084G001	PLUG	1

- ITEM NOT ILLUSTRATED

NP NON PROCURABLE

8819830000

Description: PLUG



# SAFRAN HELICOPTER ENGINES

## ARRIUS 2 F

MAINTENANCE TOOLS CATALOG

<i>Description</i>	<i>Part Number</i>
<b>PLUG</b>	<b>8819830000</b>

<i>This tool replaces the tool</i>
------------------------------------

<i>Supply code</i>	<i>Calibration frequency</i>	<i>Functional criteria check</i>
3 - 2	N/A	N/A

<i>Use</i>	
------------	--

<i>Use particularity</i>	
--------------------------	--

<i>Alternate</i>	<i>Part Number</i>	<i>Description</i>

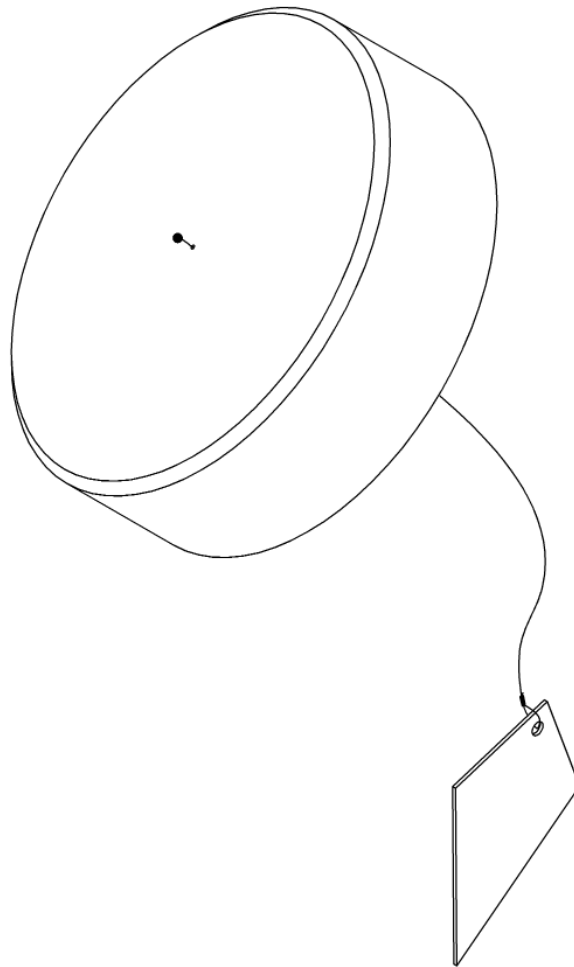
TOOL				P/N	DESCRIPTION	QTY
OT No.	Ind.	Ind.		1 2 3		
50 3260			8819830000	PLUG		1

- ITEM NOT ILLUSTRATED

NP NON PROCURABLE

8816446000

Description: PLUG, EXHAUST PIPE



ARRIUS 2 F

<i>Description</i>	<i>Part Number</i>
PLUG, EXHAUST PIPE	8816446000

<i>This tool replaces the tool</i>
------------------------------------

<i>Supply code</i>	<i>Calibration frequency</i>	<i>Functional criteria check</i>
3 - 2	N/A	N/A

<i>Use</i>	
------------	--

<i>Use particularity</i>	
--------------------------	--

<i>Alternate</i>	<i>Part Number</i>	<i>Description</i>
	TM7637G001	PLUG, EXHAUST PIPE

	TOOL			P/N	DESCRIPTION	QTY
	OT No.	Ind.	Ind.			
1	50 3340			8816446000	1 2 3 PLUG, EXHAUST PIPE	1

- ITEM NOT ILLUSTRATED

NP NON PROCURABLE

9560111050	<i>Description: PLUG</i>
------------	--------------------------

NON ILLUSTRATED TOOL

# SAFRAN HELICOPTER ENGINES

## ARRIUS 2 F

MAINTENANCE TOOLS CATALOG

<i>Description</i>	<i>Part Number</i>
<b>PLUG</b>	<b>9560111050</b>

<i>This tool replaces the tool</i>
------------------------------------

<i>Supply code</i>	<i>Calibration frequency</i>	<i>Functional criteria check</i>
3 - 2	N/A	N/A

<i>Use</i>	
------------	--

<i>Use particularity</i>	
--------------------------	--

<i>Alternate</i>	<i>Part Number</i>	<i>Description</i>

	TOOL			P/N	DESCRIPTION	QTY
	OT No.	Ind.	Ind.			
I -	50 3400			9560111050	PLUG	1

- ITEM NOT ILLUSTRATED

NP NON PROCURABLE

9789400050	Description: PLUG
------------	-------------------

NON ILLUSTRATED TOOL



# SAFRAN HELICOPTER ENGINES

## ARRIUS 2 F

MAINTENANCE TOOLS CATALOG

<i>Description</i>	<i>Part Number</i>
<b>PLUG</b>	<b>9789400050</b>

<i>This tool replaces the tool</i>
------------------------------------

<i>Supply code</i>	<i>Calibration frequency</i>	<i>Functional criteria check</i>
3 - 2	N/A	N/A

<i>Use</i>	
------------	--

<i>Use particularity</i>	
--------------------------	--

<i>Alternate</i>	<i>Part Number</i>	<i>Description</i>

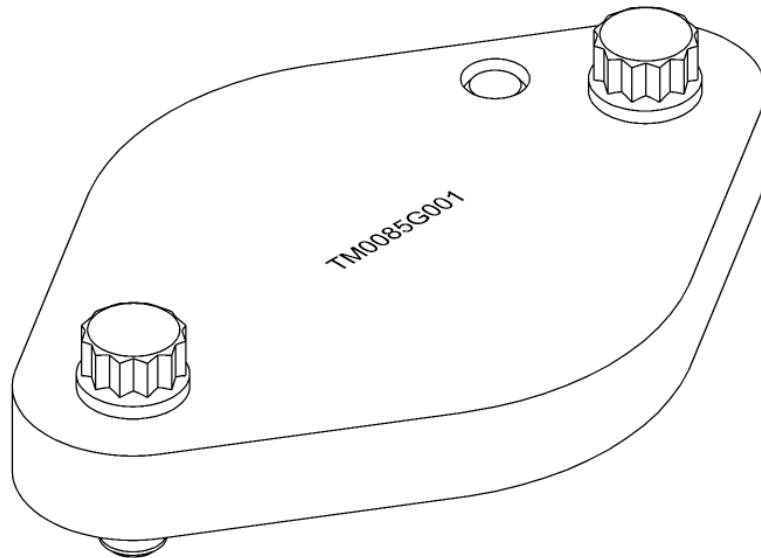
	TOOL			P/N	DESCRIPTION	QTY
	OT No.	Ind.	Ind.			
-	50 3440			9789400050	PLUG	1

- ITEM NOT ILLUSTRATED

NP NON PROCURABLE

TM0085G001

Description: PLUG



# SAFRAN HELICOPTER ENGINES

## ARRIUS 2 F

MAINTENANCE TOOLS CATALOG

<i>Description</i>	<i>Part Number</i>
<b>PLUG</b>	<b>TM0085G001</b>

<i>This tool replaces the tool</i>
------------------------------------

<i>Supply code</i>	<i>Calibration frequency</i>	<i>Functional criteria check</i>
3 - 2	N/A	N/A

<i>Use</i>	
------------	--

<i>Use particularity</i>	
--------------------------	--

<i>Alternate</i>	<i>Part Number</i>	<i>Description</i>

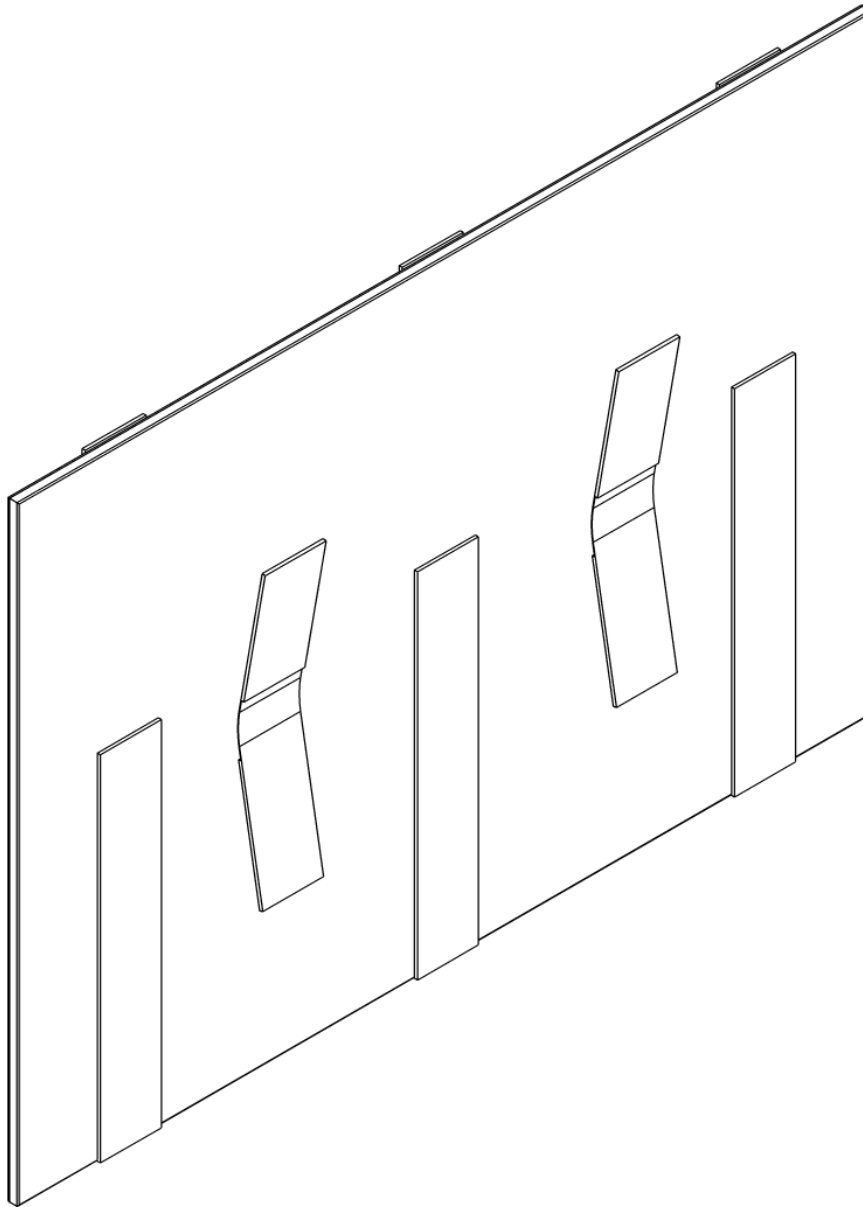
	TOOL			P/N	DESCRIPTION	QTY
	OT No.	Ind.	Ind.			
1	50 3450			TM0085G001	PLUG	1

- ITEM NOT ILLUSTRATED

NP NON PROCURABLE

TM0133G001

Description: SLEEVE



# SAFRAN HELICOPTER ENGINES

## ARRIUS 2 F

MAINTENANCE TOOLS CATALOG

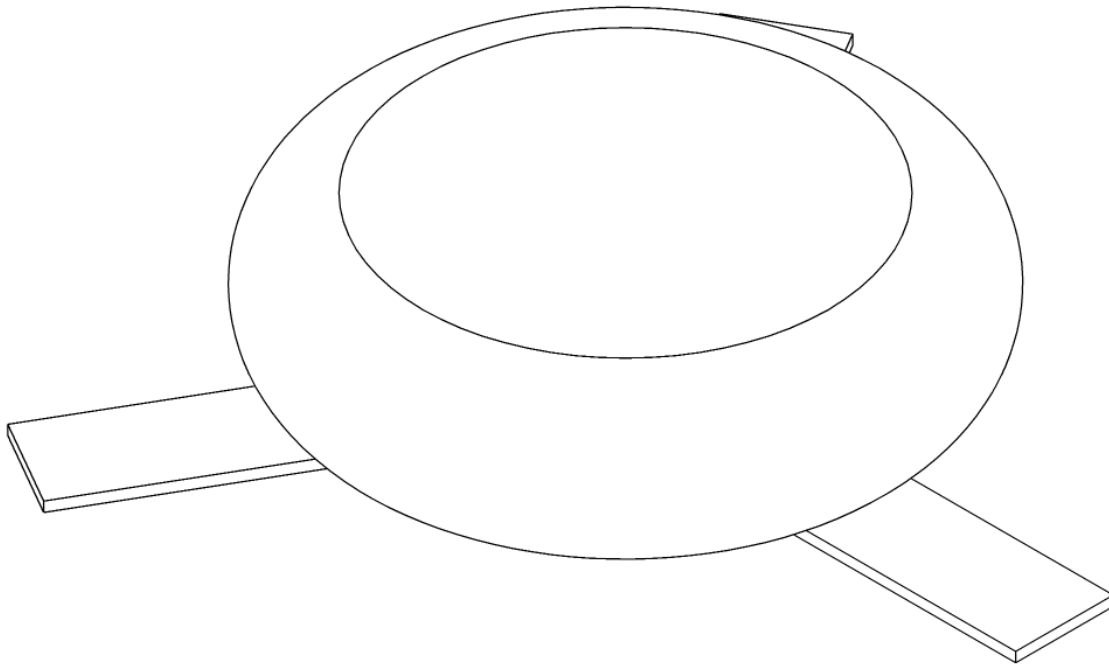
<i>Description</i>		<i>Part Number</i>				
SLEEVE		TM0133G001				
<i>This tool replaces the tool</i>						
<i>Supply code</i>	<i>Calibration frequency</i>	<i>Functional criteria check</i>				
3 - 2	N/A	N/A				
<i>Use</i>						
<i>Use particularity</i>						
<i>Alternate</i>	<i>Part Number</i>	<i>Description</i>				
TOOL				P/N	DESCRIPTION	QTY
OT No.	Ind.	Ind.		1 2 3		
50 3460				TM0133G001	SLEEVE	1

- ITEM NOT ILLUSTRATED

NP NON PROCURABLE

8000263900

Description: PLUG



# SAFRAN HELICOPTER ENGINES

## ARRIUS 2 F

MAINTENANCE TOOLS CATALOG

<i>Description</i>	<i>Part Number</i>
<b>PLUG</b>	<b>8000263900</b>

<i>This tool replaces the tool</i>
------------------------------------

<i>Supply code</i>	<i>Calibration frequency</i>	<i>Functional criteria check</i>
3 - 2	N/A	N/A

<i>Use</i>	
------------	--

<i>Use particularity</i>	
--------------------------	--

<i>Alternate</i>	<i>Part Number</i>	<i>Description</i>

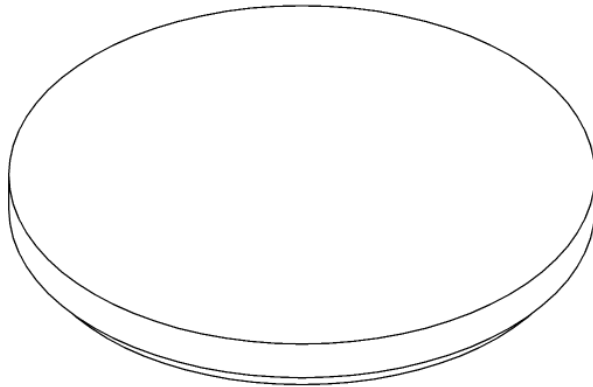
	TOOL			P/N	DESCRIPTION	QTY
	OT No.	Ind.	Ind.			
I	50 3480			8000263900	PLUG	1

- ITEM NOT ILLUSTRATED

NP NON PROCURABLE

8813753000

Description: PLUG





# SAFRAN HELICOPTER ENGINES

## ARRIUS 2 F

MAINTENANCE TOOLS CATALOG

<i>Description</i>	<i>Part Number</i>
<b>PLUG</b>	<b>8813753000</b>

<i>This tool replaces the tool</i>
------------------------------------

<i>Supply code</i>	<i>Calibration frequency</i>	<i>Functional criteria check</i>
3 - 2	N/A	N/A

<i>Use</i>	
------------	--

<i>Use particularity</i>	
--------------------------	--

<i>Alternate</i>	<i>Part Number</i>	<i>Description</i>

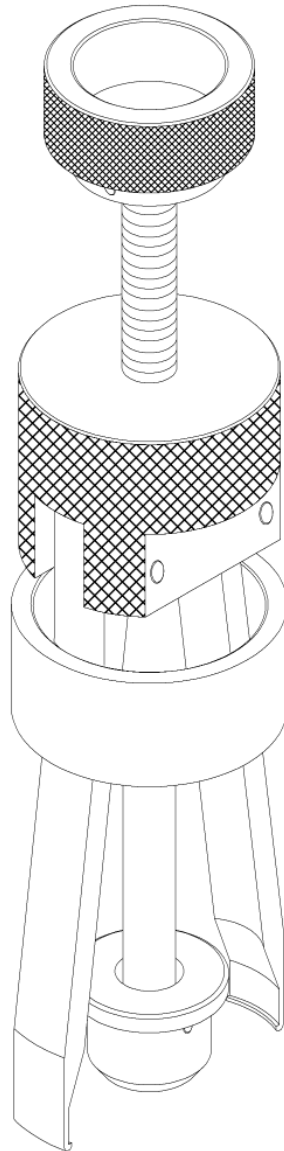
	TOOL			P/N	DESCRIPTION	QTY
	OT No.	Ind.	Ind.			
1	50 3490			8813753000	PLUG	1

- ITEM NOT ILLUSTRATED

NP NON PROCURABLE

TM1664G001

Description: REMOVAL / INSTALLATION TOOL



# SAFRAN HELICOPTER ENGINES

## ARRIUS 2 F

MAINTENANCE TOOLS CATALOG

<i>Description</i>	<i>Part Number</i>
REMOVAL / INSTALLATION TOOL	TM1664G001

<i>This tool replaces the tool</i>
------------------------------------

<i>Supply code</i>	<i>Calibration frequency</i>	<i>Functional criteria check</i>
3 - 2	N/A	N/A

<i>Use</i>	Tool used for the modular installation/removal of the magnetic seal rotating ring of the starter plug or the breather plug.
------------	---

<i>Use particularity</i>	
--------------------------	--

<i>Alternate</i>	<i>Part Number</i>	<i>Description</i>

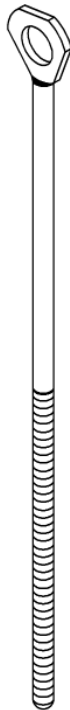
	TOOL			P/N	DESCRIPTION	QTY
	OT No.	Ind.	Ind.			
-	60 0060			TM1664G001	REMOVAL / INSTALLATION TOOL	1
	60 0060	A		TM1664P004	. JAW	1

- ITEM NOT ILLUSTRATED

NP NON PROCURABLE

8810131088

Description: SET OF 5 MM-THREADED ROD EXTRACTORS



# SAFRAN HELICOPTER ENGINES

## ARRIUS 2 F

MAINTENANCE TOOLS CATALOG

<i>Description</i>	<i>Part Number</i>
<b>SET OF 5 MM-THREADED ROD EXTRACTORS</b>	<b>8810131088</b>

<i>This tool replaces the tool</i>
------------------------------------

<i>Supply code</i>	<i>Calibration frequency</i>	<i>Functional criteria check</i>
3 - 2	N/A	N/A

<i>Use</i>	Threaded extractor
------------	--------------------

<i>Use particularity</i>	
--------------------------	--

<i>Alternate</i>	<i>Part Number</i>	<i>Description</i>

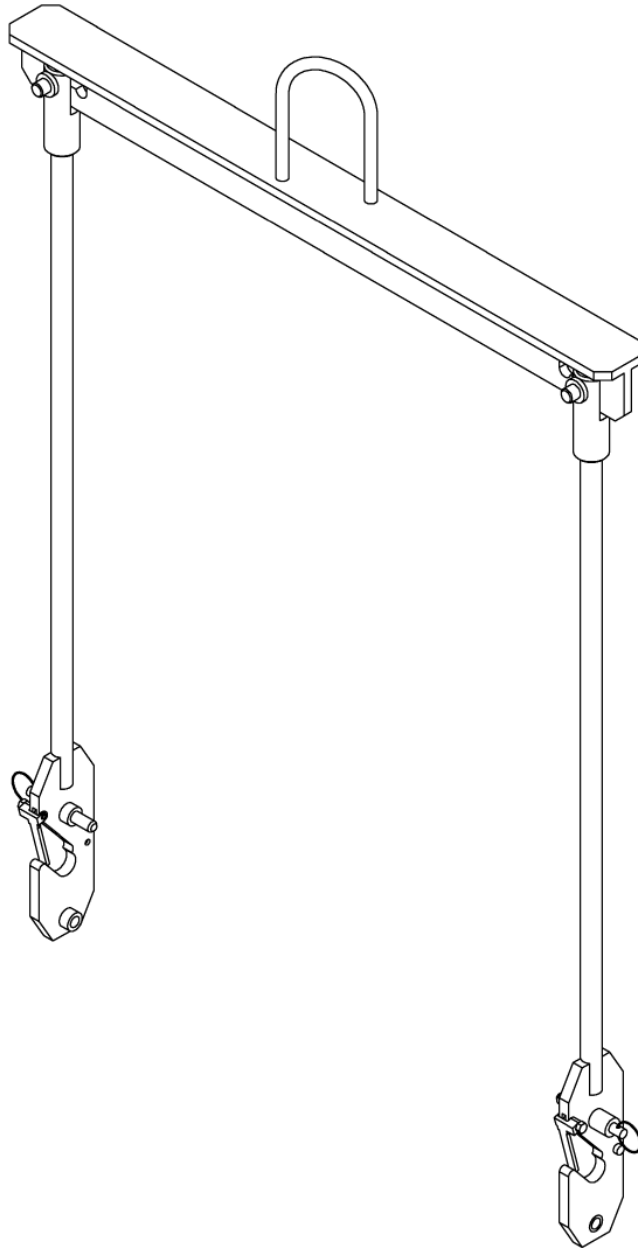
	TOOL			P/N	DESCRIPTION	QTY
	OT No.	Ind.	Ind.			
1	60 0070			8810131088	1 2 3 SET OF 5 MM-THREADED ROD EXTRACTORS	1

- ITEM NOT ILLUSTRATED

NP NON PROCURABLE

8819323000

Description: HOISTING FORK FITTING ASSEMBLY



# SAFRAN HELICOPTER ENGINES

## ARRIUS 2 F

MAINTENANCE TOOLS CATALOG

<i>Description</i>	<i>Part Number</i>
<b>HOISTING FORK FITTING ASSEMBLY</b>	<b>8819323000</b>

<i>This tool replaces the tool</i>
------------------------------------

<i>Supply code</i>	<i>Calibration frequency</i>	<i>Functional criteria check</i>
3 - 1	12	N/A

<b>Use</b>	Tool used to handle the engine with a pulley-block.
------------	---

<b>Use particularity</b>	Supplied without cable nor ring. It is used with tools 8819324000.
--------------------------	--

<i>Alternate</i>	<i>Part Number</i>	<i>Description</i>

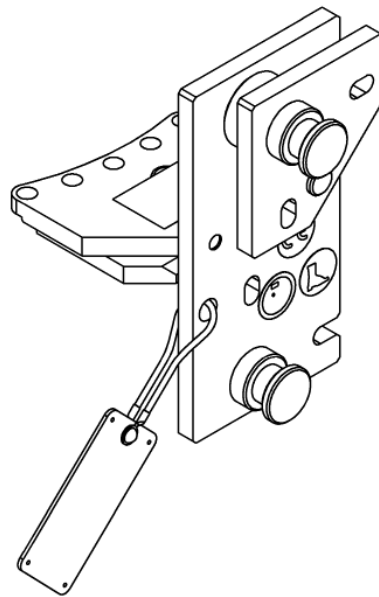
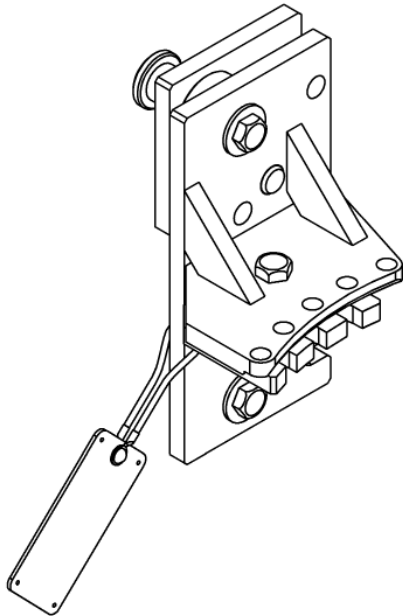
	TOOL			P/N	DESCRIPTION	QTY
	OT No.	Ind.	Ind.			
-	60 0120			8819323000	1 2 3 HOISTING FORK FITTING ASSEMBLY	1
	60 0120	A		9610010940	. SPINDLE	2

- ITEM NOT ILLUSTRATED

NP NON PROCURABLE

8819324000

Description: PIVOTING ADAPTATION





# SAFRAN HELICOPTER ENGINES

## ARRIUS 2 F

MAINTENANCE TOOLS CATALOG

<i>Description</i>	<i>Part Number</i>
<b>PIVOTING ADAPTATION</b>	<b>8819324000</b>

<i>This tool replaces the tool</i>
------------------------------------

<i>Supply code</i>	<i>Calibration frequency</i>	<i>Functional criteria check</i>
3 - 2	N/A	N/A

<b>Use</b>	Tool used to rotate the engine assembly or the gas generator module in the vertical position.
------------	---

<b>Use particularity</b>	It is used with tool 8819323000.
--------------------------	----------------------------------

<b>Alternate</b>	<i>Part Number</i>	<i>Description</i>

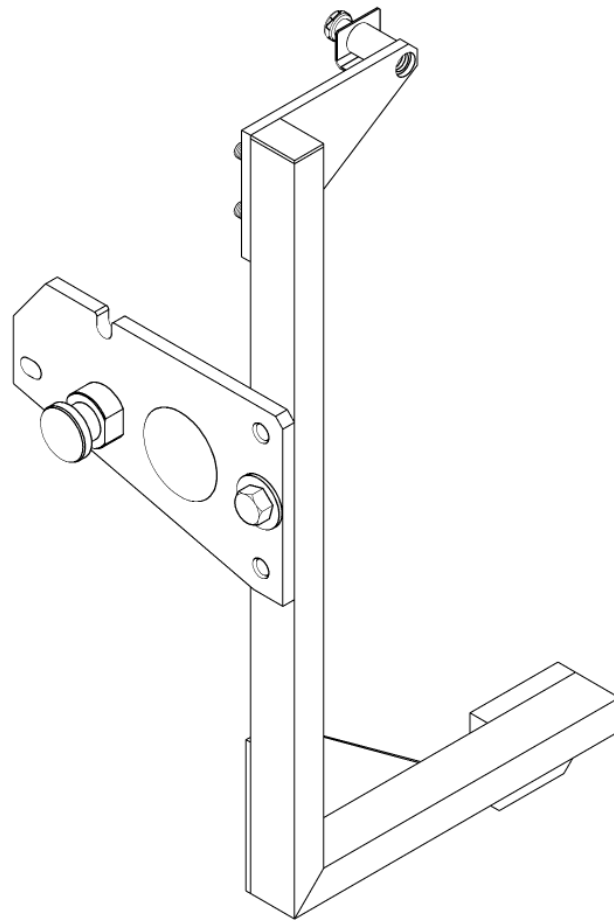
	TOOL			P/N	DESCRIPTION	QTY
	OT No.	Ind.	Ind.			
	60 0130			8819324000	PIVOTING ADAPTATION	1
-	60 0130	A		8819324001	. L.H. PLATE	1
-	60 0130	B		8819324002	. R.H. PLATE	1
-	60 0130	C		8819324003	. L.H. FLANGE	1
-	60 0130	D		8819324004	. R.H. FLANGE	1
-	60 0130	E		8819324005	. L.H. REMOVABLE PIVOT	1
-	60 0130	F		8819324006	. R.H. REMOVABLE PIVOT	1

- ITEM NOT ILLUSTRATED

NP NON PROCURABLE

8819317000

Description: PIVOTING ADAPTATION



# SAFRAN HELICOPTER ENGINES

## ARRIUS 2 F

MAINTENANCE TOOLS CATALOG

<i>Description</i>	<i>Part Number</i>
<b>PIVOTING ADAPTATION</b>	<b>8819317000</b>

<i>This tool replaces the tool</i>
------------------------------------

<i>Supply code</i>	<i>Calibration frequency</i>	<i>Functional criteria check</i>
3 - 2	N/A	N/A

<i>Use</i>	Tool use to lift the reduction gear.
------------	--------------------------------------

<i>Use particularity</i>	
--------------------------	--

<i>Alternate</i>	<i>Part Number</i>	<i>Description</i>

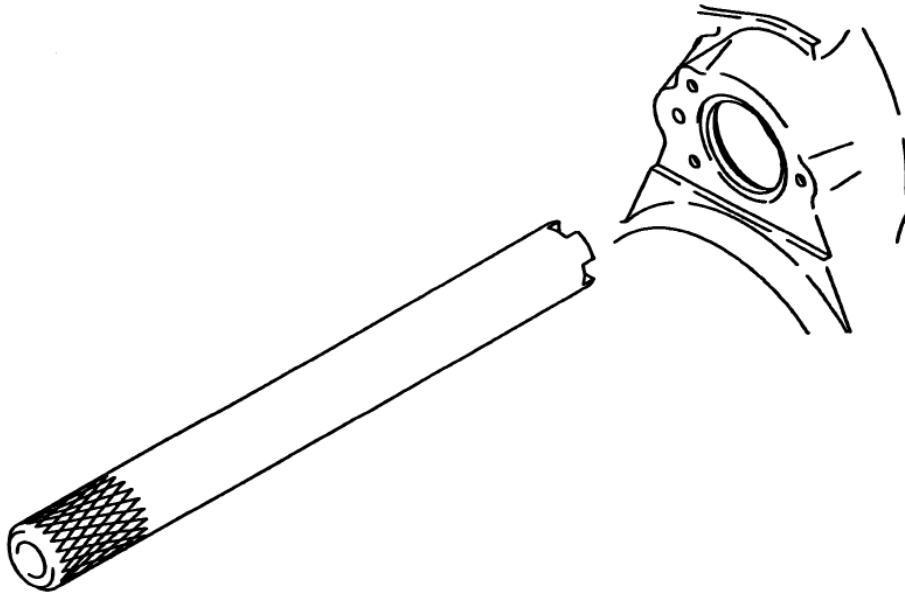
TOOL				P/N	DESCRIPTION	QTY
OT No.	Ind.	Ind.	1 2 3			
	60 0140			8819317000	PIVOTING ADAPTATION	1
-	60 0140	A		8819317001	. LEFT STRUT	1
-	60 0140	B		8819317002	. RIGHT STRUT	1
-	60 0140	C		8819317003	. PIVOT	2
-	60 0140	D		8819317004	. NUT	4
-	60 0140	E		8819317006	. PLATE	2
-	60 0140	F		8819324007	. SCREW	2

- ITEM NOT ILLUSTRATED

NP NON PROCURABLE

8819334000

Description: WRENCH



ARRIUS 2 F

<i>Description</i>	<i>Part Number</i>
<b>WRENCH</b>	<b>8819334000</b>

<i>This tool replaces the tool</i>
------------------------------------

<i>Supply code</i>	<i>Calibration frequency</i>	<i>Functional criteria check</i>
3 - 2	N/A	N/A

<i>Use</i>	Tool used for the modular installation/removal of the securing nut of the free turbine shaft during the modular replacement.
------------	--

<i>Use particularity</i>	It is used with tool 8819384000.
--------------------------	----------------------------------

<i>Alternate</i>	<i>Part Number</i>	<i>Description</i>

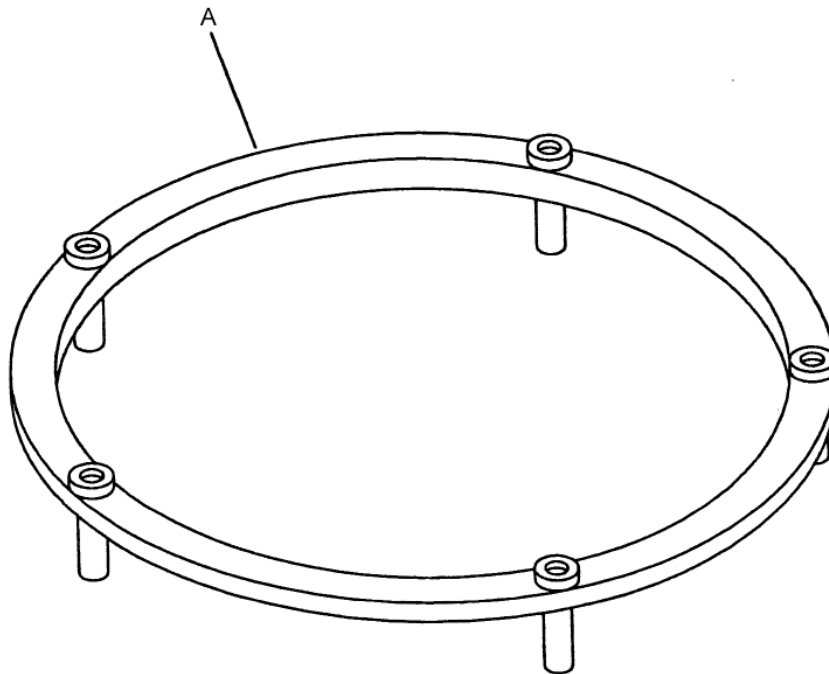
	TOOL			P/N	DESCRIPTION	QTY
	OT No.	Ind.	Ind.			
1	60 0150			8819334000	WRENCH	1

- ITEM NOT ILLUSTRATED

NP NON PROCURABLE

8818628200

Description: REAR CASING SUPPORT



# TURBOMECA ARRIUS 2 F

## MAINTENANCE TOOLS CATALOG

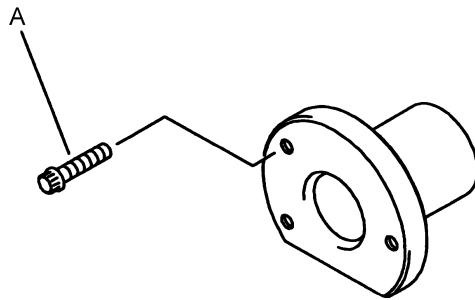
<i>Description</i>				<i>Part Number</i>				
<b>REAR CASING SUPPORT</b>				<b>8818628200</b>				
<i>This tool replaces the tool</i>								
<i>Supply code</i>		<i>Calibration frequency</i>		<i>Functional criteria check</i>				
3 - 2		N/A		N/A				
<i>Use</i>		Support use to install the reduction gear in order to equip the front casing.						
<i>Use particularity</i>								
<i>Alternate</i>		<i>Part Number</i>			<i>Description</i>			
<b>TOOL</b>				<b>P/N</b>	<b>DESCRIPTION</b>			<b>QTY</b>
OT No.	Ind.	Ind.			1	2	3	
60 0160				8818628200	REAR CASING SUPPORT			1
60 0160	A			8818628202	. SUPPORT			1

- ITEM NOT ILLUSTRATED

NP NON PROCURABLE

**8819384000**

*Description: RETAINER*





# SAFRAN HELICOPTER ENGINES

## ARRIUS 2 F

MAINTENANCE TOOLS CATALOG

<i>Description</i>	<i>Part Number</i>
<b>RETAINER</b>	<b>8819384000</b>

<i>This tool replaces the tool</i>
------------------------------------

<i>Supply code</i>	<i>Calibration frequency</i>	<i>Functional criteria check</i>
3 - 2	N/A	N/A

<b>Use</b>	Tool use to immobilize the power turbine shaft in order to remove the front nut (module replacement), to remove FT nuts ( FT replacement)
------------	---

<b>Use particularity</b>	It is used with tool 8819334000.
--------------------------	----------------------------------

<b>Alternate</b>	<i>Part Number</i>	<i>Description</i>

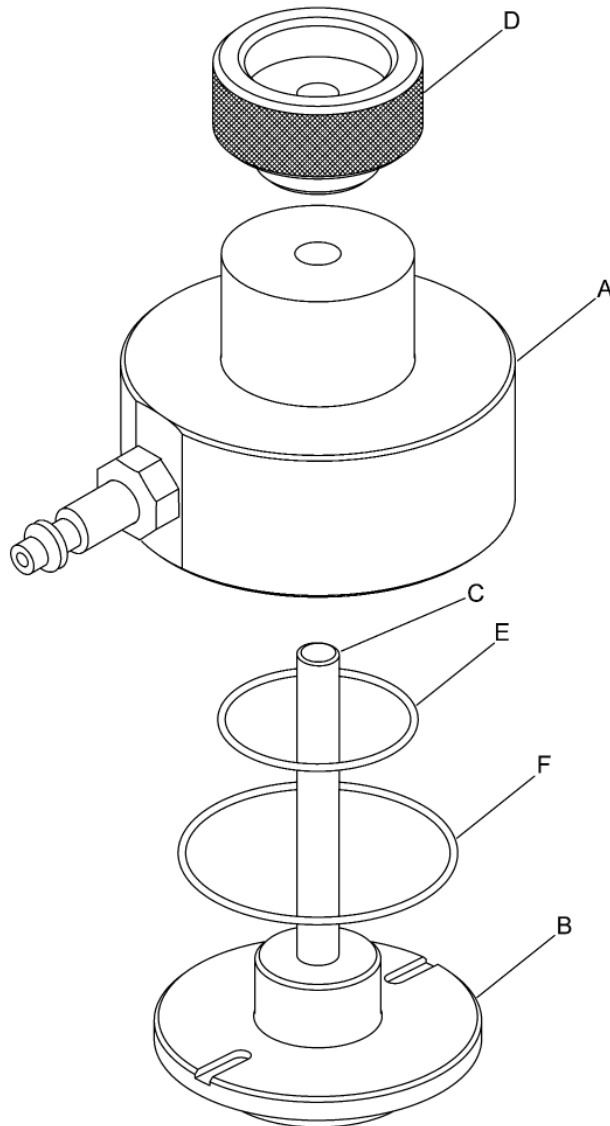
TOOL				P/N	DESCRIPTION	QTY
OT No.	Ind.	Ind.	1 2 3			
60 0170				8819384000	RETAINER	1
60 0170	A			9836005016	. SCREW	3

- ITEM NOT ILLUSTRATED

NP NON PROCURABLE

TM0630G001

Description: REMOVAL / INSTALLATION TOOL



<i>Description</i>	<i>Part Number</i>
REMOVAL / INSTALLATION TOOL	TM0630G001

<i>This tool replaces the tool</i>
------------------------------------

<i>Supply code</i>	<i>Calibration frequency</i>	<i>Functional criteria check</i>
3 - 2	N/A	N/A

<i>Use</i>	Tool use for the removal/installation of the power drive magnetic seal.
------------	---

<i>Use particularity</i>	
--------------------------	--

<i>Alternate</i>	<i>Part Number</i>	<i>Description</i>

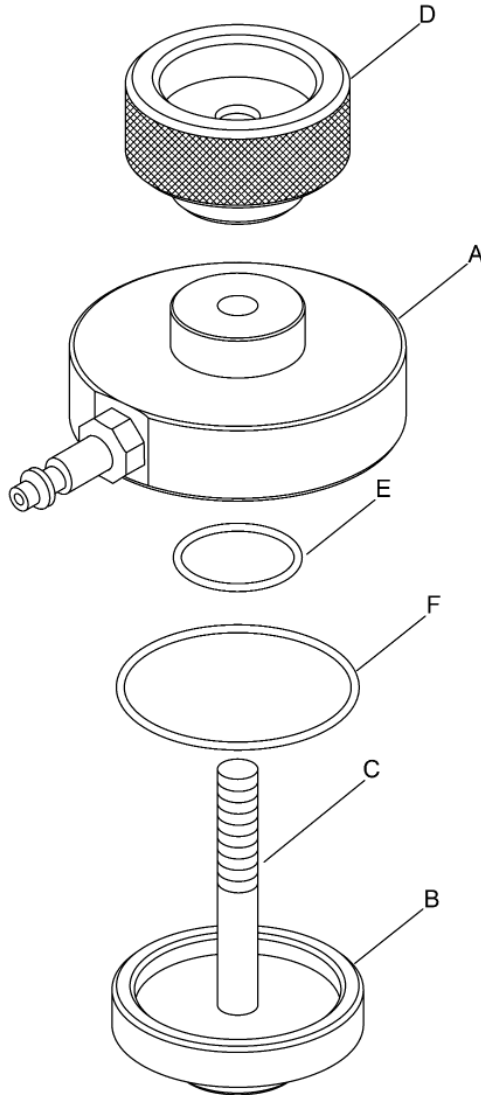
TOOL				P/N	DESCRIPTION	QTY
OT No.	Ind.	Ind.		1 2 3		
60 0180			TM0630G001	REMOVAL / INSTALLATION TOOL		1
60 0180	A		TM0630P001	. FLANGE		1
60 0180	B		TM0630P002	. BASE		1
60 0180	C		TM0630P010	. STUD		1
60 0180	D		TM0630P005	. NUT		1
60 0180	E		TM0630P006	. Ø INT: 44.17 O-RING SEAL		1
60 0180	F		9794410630	. Ø INT: 63 O-RING SEAL		1

- ITEM NOT ILLUSTRATED

NP NON PROCURABLE

TM0631G001

Description: REMOVAL / INSTALLATION TOOL



# SAFRAN HELICOPTER ENGINES

## ARRIUS 2 F

MAINTENANCE TOOLS CATALOG

<i>Description</i>	<i>Part Number</i>
<b>REMOVAL / INSTALLATION TOOL</b>	<b>TM0631G001</b>

<i>This tool replaces the tool</i>
------------------------------------

<i>Supply code</i>	<i>Calibration frequency</i>	<i>Functional criteria check</i>
3 - 2	N/A	N/A

<i>Use</i>	Tool used for the modular installation/removal of the starter plug magnetic seal
------------	--

<i>Use particularity</i>	
--------------------------	--

<i>Alternate</i>	<i>Part Number</i>	<i>Description</i>

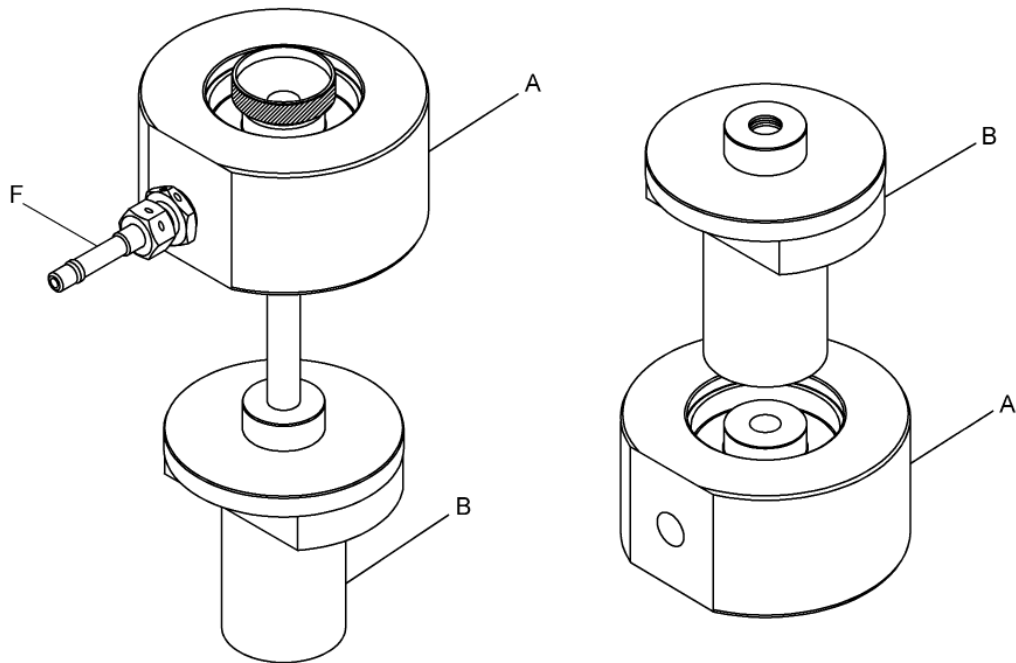
	TOOL			P/N	DESCRIPTION	QTY
	OT No.	Ind.	Ind.			
	60 0190			TM0631G001	REMOVAL / INSTALLATION TOOL	1
	60 0190	A		TM0631P001	. FLANGE	1
	60 0190	B		TM0631P002	. BASE	1
	60 0190	C		TM0631P010	. STUD	1
	60 0190	D		TM0631P005	. NUT	1
	60 0190	E		TM0631P006	. Ø INT: 25.12 O-RING SEAL	1
	60 0190	F		TM0631P007	. Ø INT: 50.52 O-RING SEAL	1

- ITEM NOT ILLUSTRATED

NP NON PROCURABLE

TM0797G002

Description: MAGNETIC SEAL REMOVAL/INSTALLATION TOOL



# TURBOMECA ARRIUS 2 F

Description	Part Number
MAGNETIC SEAL REMOVAL/INSTALLATION TOOL	TM0797G002

<i>This tool replaces the tool</i>
------------------------------------

Supply code	Calibration frequency	Functional criteria check
3 - 2	N/A	N/A

Use	Removal/installation of the magnetic seal
-----	---

Use particularity	
-------------------	--

Alternate	Part Number	Description
	TM0797G001	MAGNETIC SEAL REMOVAL/INSTALLATION TOOL

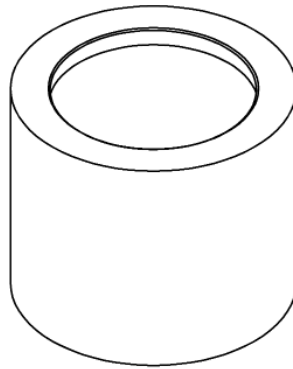
	TOOL			P/N	DESCRIPTION	QTY
	OT No.	Ind.	Ind.			
	60 0200			TM0797G002	MAGNETIC SEAL REMOVAL/INSTALLATION TOOL	1
	60 0200	A		TM0797P001	. FLANGE	NP
	60 0200	B		TM0797P002	. STAND	NP
-	60 0200	C		TM0797P005	. STUD	1
-	60 0200	D		TM0797P008	. Ø INT: 25.12 O-RING SEAL	1
-	60 0200	E		TM0797P009	. Ø INT: 36.30 O-RING SEAL	1
	60 0200	F		9610059020	. BUTT OF CONNECTION	1
-	60 0200	G		9560142800	. COPPER SEAL	1

- ITEM NOT ILLUSTRATED

NP NON PROCURABLE

**TM0801G002**

*Description: RETAINING AND GUIDING RING*





# TURBOMECA ARRIUS 2 F

## MAINTENANCE TOOLS CATALOG

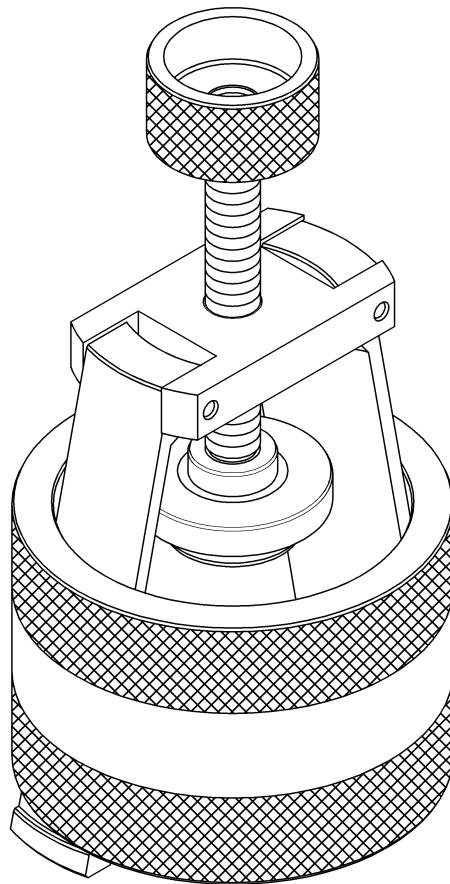
<i>Description</i>				<i>Part Number</i>				
<b>RETAINING AND GUIDING RING</b>				<b>TM0801G002</b>				
<i>This tool replaces the tool</i>								
<i>Supply code</i>		<i>Calibration frequency</i>		<i>Functional criteria check</i>				
3 - 2		N/A		N/A				
<i>Use</i>		Used to guide the cage of power drive during its installation.						
<i>Use particularity</i>								
<i>Alternate</i>		<i>Part Number</i>		<i>Description</i>				
		TM0801G001		RETAINING AND GUIDING RING				
<b>TOOL</b>				<b>P/N</b>	<b>DESCRIPTION</b>			<b>QTY</b>
OT No.	Ind.	Ind.		1 2 3				
60 0210				TM0801G002	RETAINING AND GUIDING RING			1

- ITEM NOT ILLUSTRATED

NP NON PROCURABLE

**TM1507G001**

*Description: EXTRACTOR*



# SAFRAN HELICOPTER ENGINES

## ARRIUS 2 F

MAINTENANCE TOOLS CATALOG

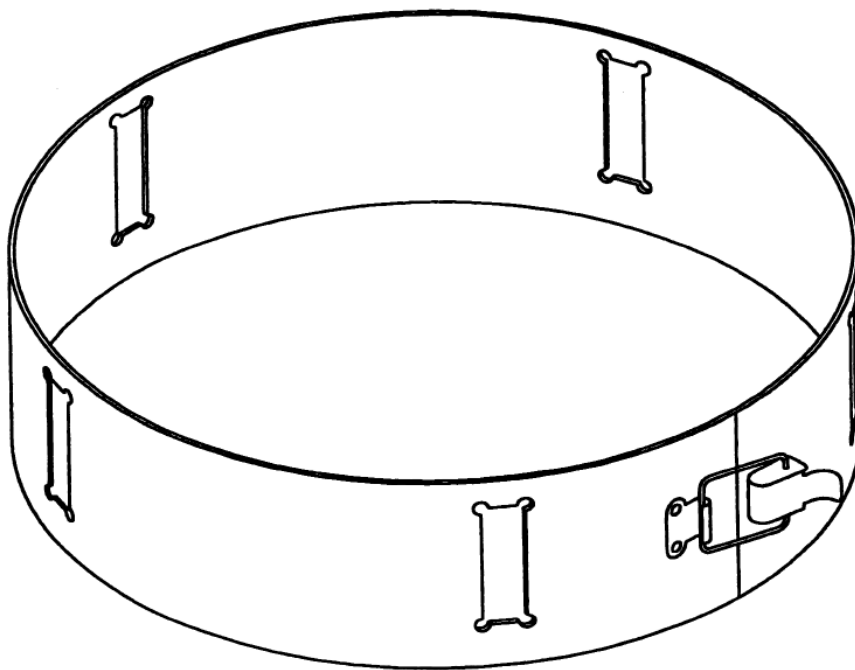
<i>Description</i>		<i>Part Number</i>				
EXTRACTOR		TM1507G001				
<i>This tool replaces the tool</i>						
<i>Supply code</i>	<i>Calibration frequency</i>	<i>Functional criteria check</i>				
3 - 2	N/A	N/A				
<i>Use</i>	Tool used to remove the rotating part of the magnetic seal and the spacer that stays on the output gear					
<i>Use particularity</i>						
<i>Alternate</i>	<i>Part Number</i>		<i>Description</i>			
TOOL				P/N	DESCRIPTION	QTY
OT No.	Ind.	Ind.		1 2 3		
60 0220			TM1507G001	EXTRACTOR		1

- ITEM NOT ILLUSTRATED

NP NON PROCURABLE

8818657000

Description: AIR INTAKE PLUG



# SAFRAN HELICOPTER ENGINES

## ARRIUS 2 F

MAINTENANCE TOOLS CATALOG

<i>Description</i>	<i>Part Number</i>
<b>AIR INTAKE PLUG</b>	<b>8818657000</b>

<i>This tool replaces the tool</i>
------------------------------------

<i>Supply code</i>	<i>Calibration frequency</i>	<i>Functional criteria check</i>
3 - 2	N/A	N/A

<b>Use</b>	Tool used to plug the intake casing in order to protect the compressor from foreign bodies.
------------	---

<b>Use particularity</b>	
--------------------------	--

<i>Alternate</i>	<i>Part Number</i>	<i>Description</i>
	TM1646G001	AIR INTAKE PLUG

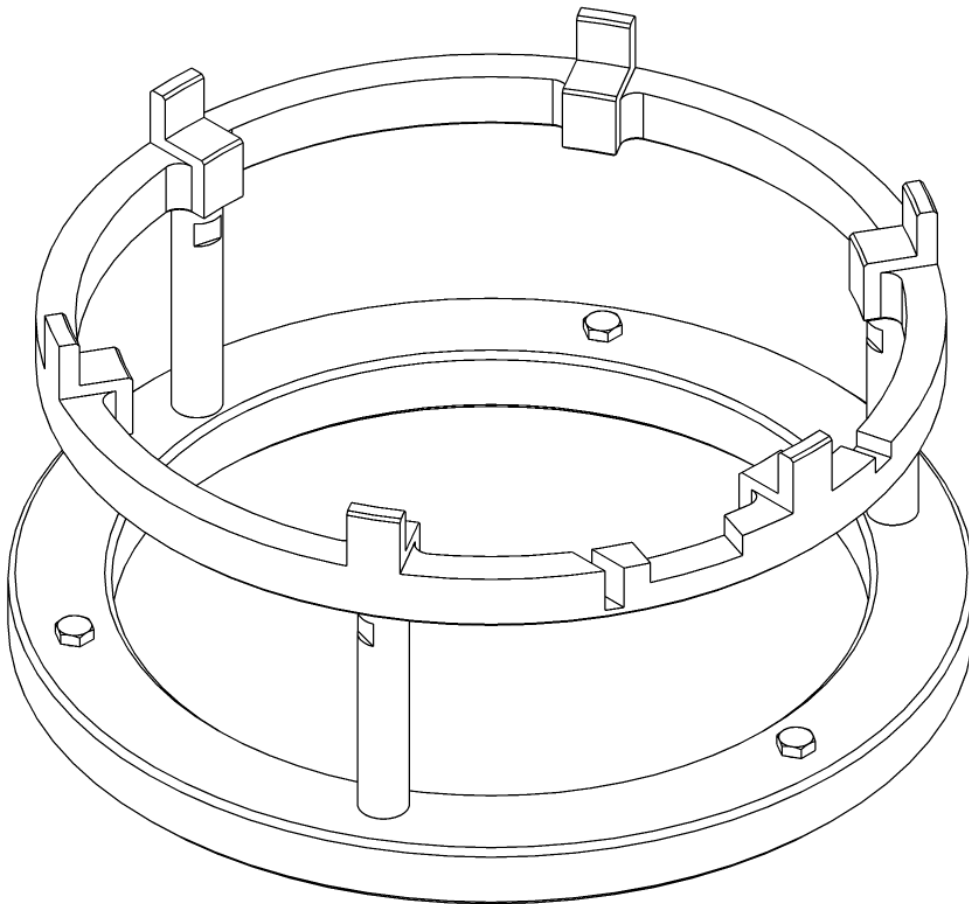
	TOOL			P/N	DESCRIPTION	QTY
	OT No.	Ind.	Ind.			
I	60 0230			8818657000	AIR INTAKE PLUG	1

- ITEM NOT ILLUSTRATED

NP NON PROCURABLE

8818381000

Description: ASSEMBLY SUPPORT



# TURBOMECA ARRIUS 2 F

## MAINTENANCE TOOLS CATALOG

<i>Description</i>	<i>Part Number</i>
<b>ASSEMBLY SUPPORT</b>	<b>8818381000</b>

<i>This tool replaces the tool</i>
------------------------------------

<i>Supply code</i>	<i>Calibration frequency</i>	<i>Functional criteria check</i>
3 - 2	N/A	N/A

<i>Use</i>	Tool required for supporting gas-generator module and exhaust diffuser side.
------------	--

<i>Use particularity</i>	
--------------------------	--

<i>Alternate</i>	<i>Part Number</i>	<i>Description</i>

TOOL				P/N	DESCRIPTION	QTY
OT No.	Ind.	Ind.		1 2 3		
				8818381000	ASSEMBLY SUPPORT	1
-	60 0240	A		8818381001	. CENTERING TOOL	1
-	60 0240	B		8818381002	. BASE PLATE	1
-	60 0240	C		8818381003	. TIE ROD	1

- ITEM NOT ILLUSTRATED

NP NON PROCURABLE

# TURBOMECA ARRIUS 2 F

MAINTENANCE TOOLS CATALOG

---

**9610019070**

*Description: STRIPBOARD CUTTER*

NON ILLUSTRATED TOOL



# TURBOMECA ARRIUS 2 F

## MAINTENANCE TOOLS CATALOG

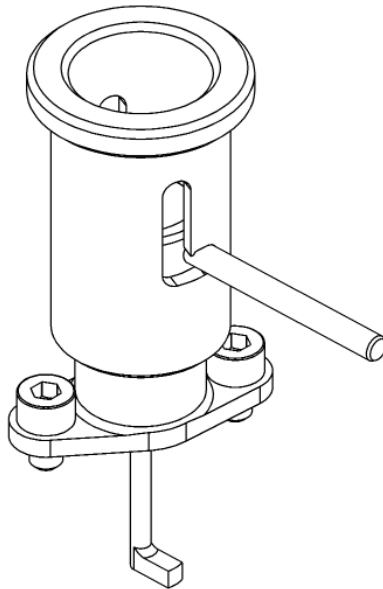
<i>Description</i>				<i>Part Number</i>		
<b>STRIPBOARD CUTTER</b>				<b>9610019070</b>		
<i>This tool replaces the tool</i>						
<i>Supply code</i>		<i>Calibration frequency</i>		<i>Functional criteria check</i>		
3 - 2		N/A		N/A		
<i>Use</i>		Tool use to conformate conformation boxes.				
<i>Use particularity</i>						
<i>Alternate</i>	<i>Part Number</i>			<i>Description</i>		
<b>TOOL</b>				<b>P/N</b>	<b>DESCRIPTION</b>	<b>QTY</b>
	OT No.	Ind.	Ind.	1 2 3		
-	60 0250			9610019070	STRIPBOARD CUTTER	1

- ITEM NOT ILLUSTRATED

NP NON PROCURABLE

**TM4186G001**

*Description: POSITIONING GAUGE*



# SAFRAN HELICOPTER ENGINES

## ARRIUS 2 F

MAINTENANCE TOOLS CATALOG

<i>Description</i>	<i>Part Number</i>
<b>POSITIONING GAUGE</b>	<b>TM4186G001</b>

<i>This tool replaces the tool</i>
------------------------------------

<i>Supply code</i>	<i>Calibration frequency</i>	<i>Functional criteria check</i>
3 - 1	60	N/A

<b>Use</b>	Tool used to measure the adjustment dimension of the ignition plug
------------	--

<b>Use particularity</b>	
--------------------------	--

<i>Alternate</i>	<i>Part Number</i>	<i>Description</i>

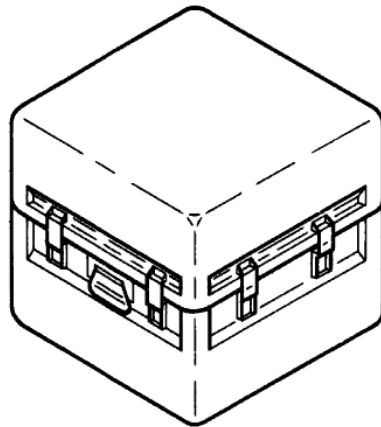
TOOL				P/N	DESCRIPTION	QTY
OT No.	Ind.	Ind.		1 2 3		
- 60 0260			TM4186G001	POSITIONING GAUGE		1
- 60 0260	A		TM4186P001	. GAUGE		1
- 60 0260	B		1616050088	. SCREW		1

- ITEM NOT ILLUSTRATED

NP NON PROCURABLE

8816854000

Description: PLUG



# SAFRAN HELICOPTER ENGINES

## ARRIUS 2 F

MAINTENANCE TOOLS CATALOG

<i>Description</i>	<i>Part Number</i>
<b>PLUG</b>	<b>8816854000</b>

<i>This tool replaces the tool</i>
------------------------------------

<i>Supply code</i>	<i>Calibration frequency</i>	<i>Functional criteria check</i>
3 - 2	N/A	N/A

<i>Use</i>	Container (C2R type) use to transport and store the FUEL CONTROL UNIT.
------------	--

<i>Use particularity</i>	
--------------------------	--

<i>Alternate</i>	<i>Part Number</i>	<i>Description</i>

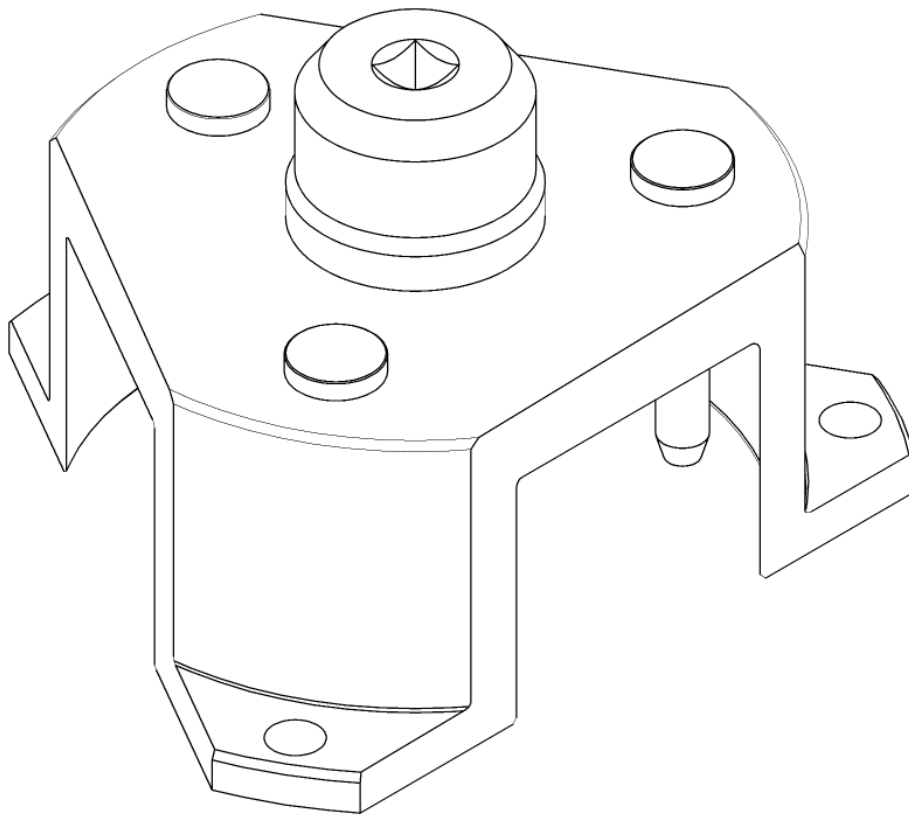
	TOOL			P/N	DESCRIPTION	QTY
	OT No.	Ind.	Ind.			
I	60 0290			8816854000	PLUG	1

- ITEM NOT ILLUSTRATED

NP NON PROCURABLE

8819375000

Description: WRENCH AND RETAINER



# TURBOMECA ARRIUS 2 F

## MAINTENANCE TOOLS CATALOG

<i>Description</i>	<i>Part Number</i>
<b>WRENCH AND RETAINER</b>	<b>8819375000</b>

<i>This tool replaces the tool</i>
------------------------------------

<i>Supply code</i>	<i>Calibration frequency</i>	<i>Functional criteria check</i>
3 - 2	N/A	N/A

<i>Use</i>	Attached to the splined flange of the power drive, this tool is use to unlock/lock the securing nut of the flange.
------------	--

<i>Use particularity</i>	
--------------------------	--

<i>Alternate</i>	<i>Part Number</i>	<i>Description</i>

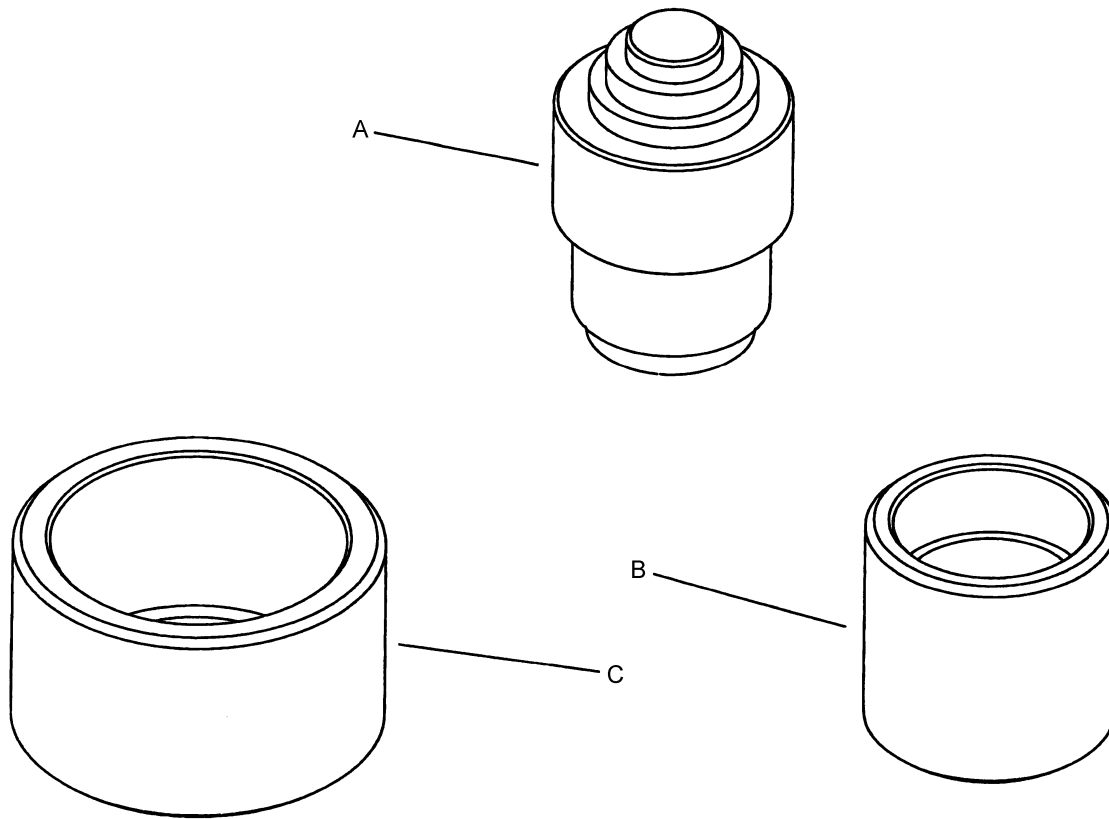
TOOL				P/N	DESCRIPTION	QTY
OT No.	Ind.	Ind.		1 2 3		
				8819375000	WRENCH AND RETAINER	1
-	60 0300	A		8819375002	. WRENCH	1
-	60 0300	B		8819375003	. DOWEL	3
-	60 0300	C		8819375001	. RETAINER	1

- ITEM NOT ILLUSTRATED

NP NON PROCURABLE

8819349000

Description: REMOVAL / INSTALLATION TOOL, VARILIP SEALS





# SAFRAN HELICOPTER ENGINES

## ARRIUS 2 F

MAINTENANCE TOOLS CATALOG

<i>Description</i>	<i>Part Number</i>
<b>REMOVAL / INSTALLATION TOOL, VARILIP SEALS</b>	<b>8819349000</b>

<i>This tool replaces the tool</i>
------------------------------------

<i>Supply code</i>	<i>Calibration frequency</i>	<i>Functional criteria check</i>
3 - 2	N/A	N/A

<b>Use</b>	Tool used for the removal and installation of VARILIP seals.
------------	--

<b>Use particularity</b>	
--------------------------	--

<i>Alternate</i>	<i>Part Number</i>	<i>Description</i>

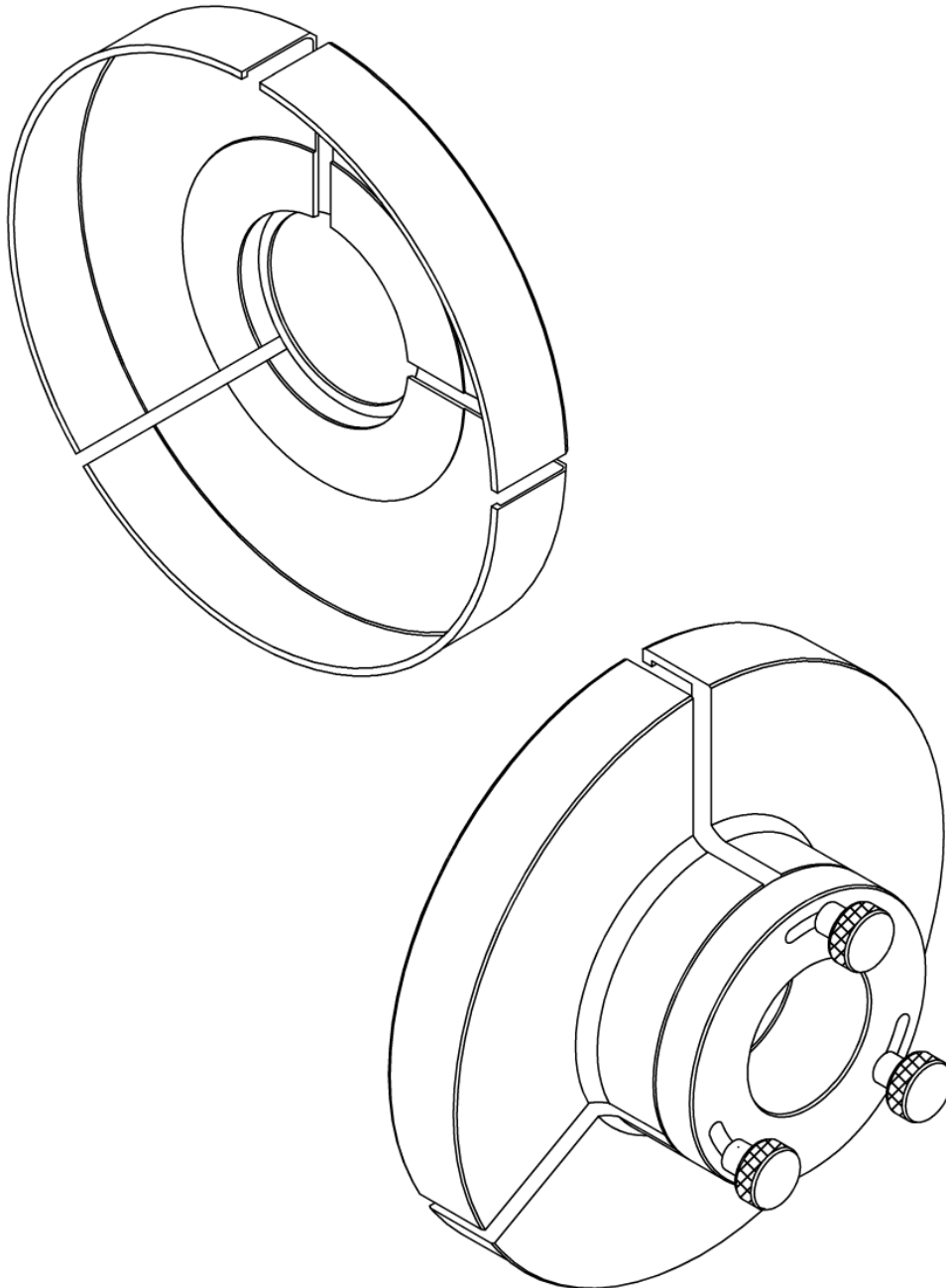
TOOL				P/N	DESCRIPTION	QTY
OT No.	Ind.	Ind.	1 2 3			
60 0310				8819349000	REMOVAL / INSTALLATION TOOL, VARILIP SEALS	1
60 0310	A			8819349001	. PLUNGER	1
60 0310	B			8819349002	. SUPPORT	1
60 0310	C			8819349003	. SUPPORT	1

- ITEM NOT ILLUSTRATED

NP NON PROCURABLE

8818379000

Description: PT WHEEL REMOVAL/INSTALLATION TOOL



# TURBOMECA ARRIUS 2 F

## MAINTENANCE TOOLS CATALOG

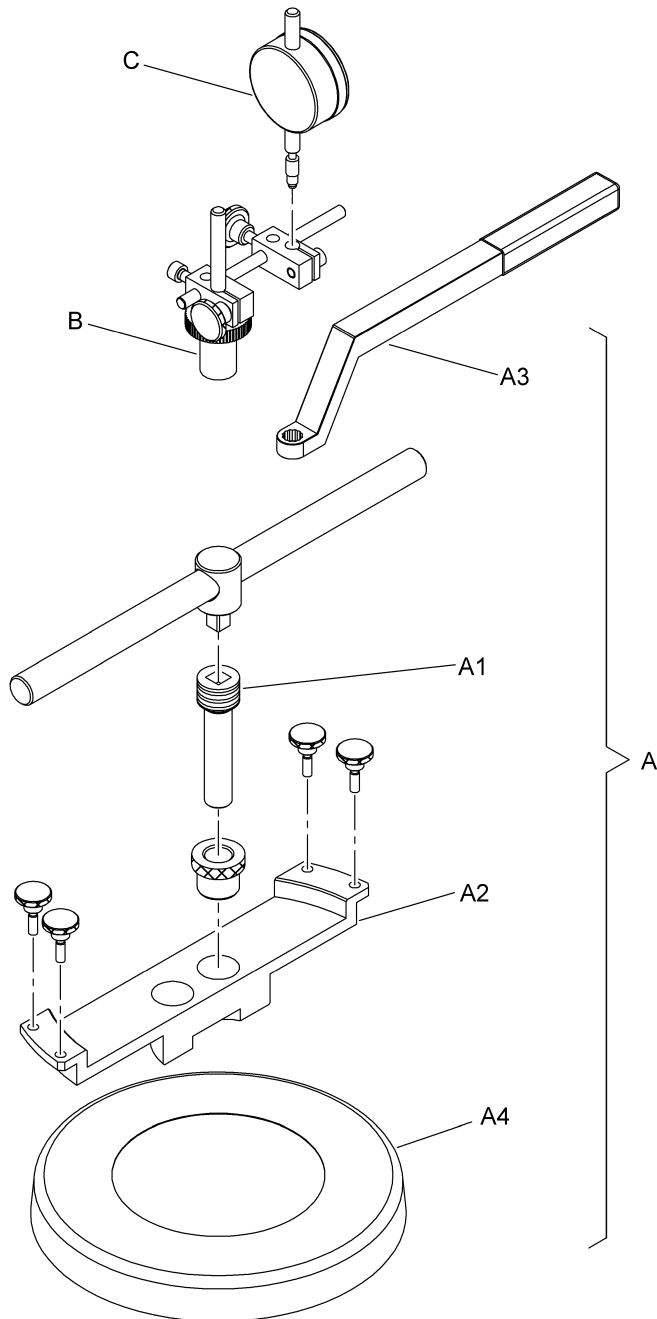
<i>Description</i>		<i>Part Number</i>				
PT WHEEL REMOVAL/INSTALLATION TOOL		8818379000				
<i>This tool replaces the tool</i>						
<i>Supply code</i>	<i>Calibration frequency</i>	<i>Functional criteria check</i>				
-	N/A	N/A				
<i>Use</i>						
<i>Use particularity</i>						
<i>Alternate</i>	<i>Part Number</i>		<i>Description</i>			
TOOL				P/N	DESCRIPTION	QTY
OT No.	Ind.	Ind.		1 2 3		
60 0330			8818379000		PT WHEEL REMOVAL/INSTALLATION TOOL	1

- ITEM NOT ILLUSTRATED

NP NON PROCURABLE

8819326000

Description: POWER TURBINE WHEEL REMOVAL/INSTALLATION TOOL



# TURBOMECA ARRIUS 2 F

## MAINTENANCE TOOLS CATALOG

<i>Description</i>		<i>Part Number</i>
POWER TURBINE WHEEL REMOVAL/ INSTALLATION TOOL		8819326000
<i>This tool replaces the tool</i>		
<i>Supply code</i>	<i>Calibration frequency</i>	<i>Functional criteria check</i>
-	N/A	N/A
<i>Use</i>		
<i>Use particularity</i>		
<i>Alternate</i>	<i>Part Number</i>	<i>Description</i>

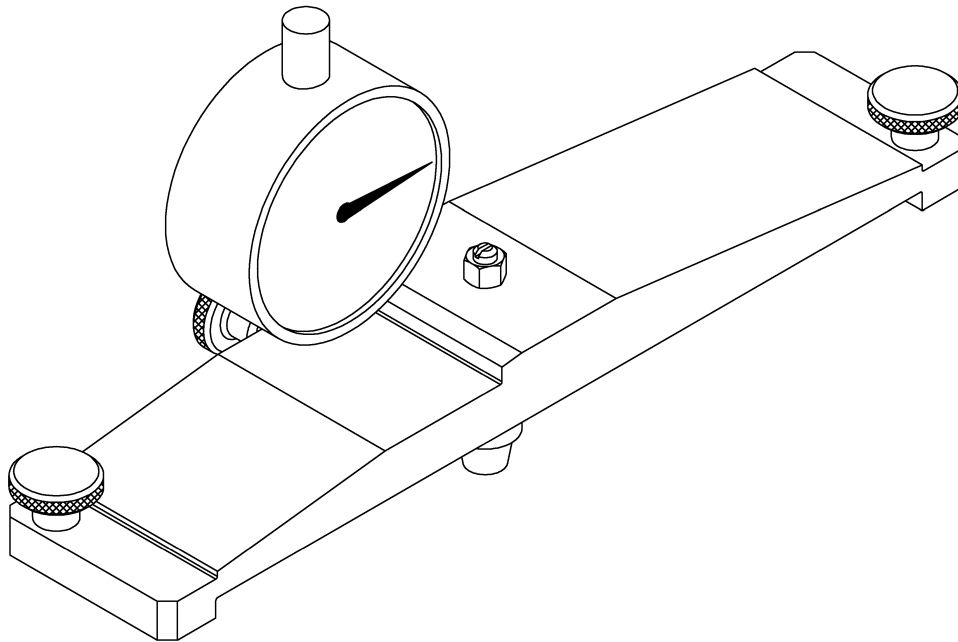
TOOL			P/N	DESCRIPTION	QTY
OT No.	Ind.	Ind.		1 2 3	
60 0340			8819326000	POWER TURBINE WHEEL REMOVAL/INSTALLATION TOOL	1
60 0340	A		8819326100	. IMMOBILIZER	NP
60 0340	A	1	8819326105	. . 12-FLAT WRENCH	1
60 0340	A	2	8819326101	. . FIXTURE	NP
60 0340	A	3	8819326112	. . WRENCH	1
60 0340	A	4	8819326111	. . PROTECTOR	NP
60 0340	B		8819326200	. COMPARATOR SUPPORT	NP
60 0340	C		8819326300	. EQUIPPED COMPARATOR	NP

- ITEM NOT ILLUSTRATED

NP NON PROCURABLE

**TM0454G001**

*Description: PT WHEEL RUNOUT INSPECTION TOOL*



# TURBOMECA ARRIUS 2 F

## MAINTENANCE TOOLS CATALOG

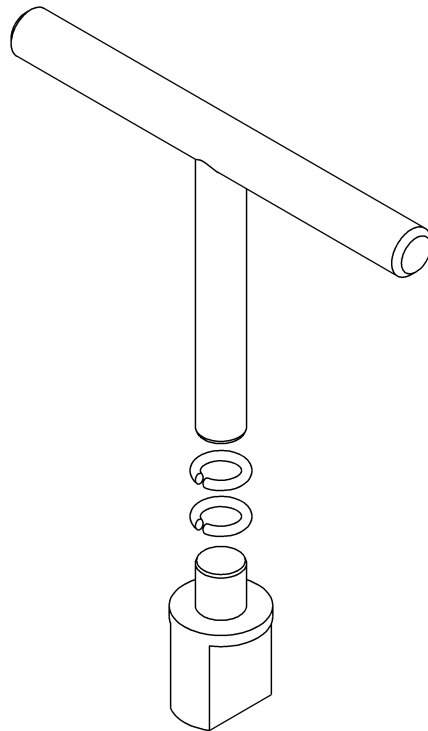
<i>Description</i>		<i>Part Number</i>		
PT WHEEL RUNOUT INSPECTION TOOL		TM0454G001		
<i>This tool replaces the tool</i>				
<i>Supply code</i>	<i>Calibration frequency</i>	<i>Functional criteria check</i>		
-	N/A	N/A		
<i>Use</i>				
<i>Use particularity</i>				
<i>Alternate</i>	<i>Part Number</i>		<i>Description</i>	
<b>TOOL</b>				<b>QTY</b>
OT No.	Ind.	Ind.	P/N	
60 0350			1 2 3 TM0454G001	1
PT WHEEL RUNOUT INSPECTION TOOL				

- ITEM NOT ILLUSTRATED

NP NON PROCURABLE

**8816758000**

*Description: RETAINING RING INSTALLATION TOOL*





# SAFRAN HELICOPTER ENGINES

## ARRIUS 2 F

MAINTENANCE TOOLS CATALOG

<i>Description</i>	<i>Part Number</i>
RETAINING RING INSTALLATION TOOL	8816758000

<i>This tool replaces the tool</i>
------------------------------------

<i>Supply code</i>	<i>Calibration frequency</i>	<i>Functional criteria check</i>
3 - 2	N/A	N/A

<i>Use</i>	
------------	--

<i>Use particularity</i>	
--------------------------	--

<i>Alternate</i>	<i>Part Number</i>	<i>Description</i>

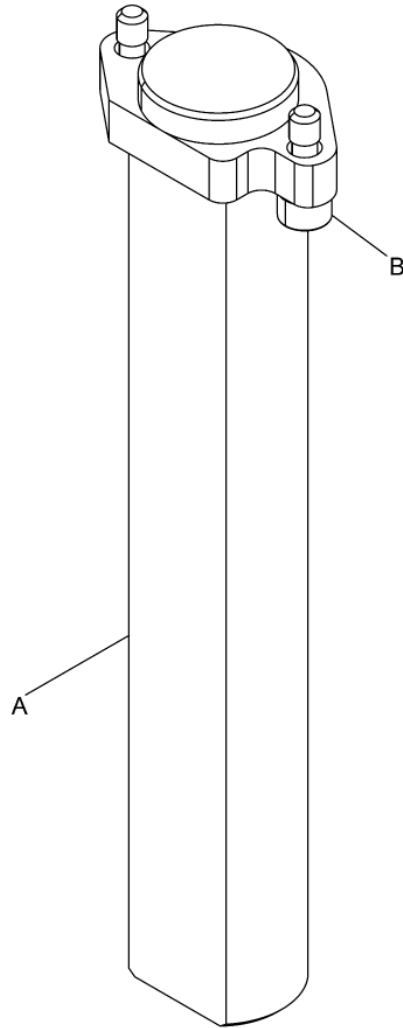
TOOL				P/N	DESCRIPTION	QTY
OT No.	Ind.	Ind.		1 2 3		
60 0370			8816758000	RETAINING RING INSTALLATION TOOL	1	

- ITEM NOT ILLUSTRATED

NP NON PROCURABLE

TM7346G001

Description: SUPPORT



# SAFRAN HELICOPTER ENGINES

## ARRIUS 2 F

MAINTENANCE TOOLS CATALOG

<i>Description</i>	<i>Part Number</i>
SUPPORT	TM7346G001

<i>This tool replaces the tool</i>
------------------------------------

<i>Supply code</i>	<i>Calibration frequency</i>	<i>Functional criteria check</i>
3 - 2	N/A	N/A

<i>Use</i>	
------------	--

<i>Use particularity</i>	
--------------------------	--

<i>Alternate</i>	<i>Part Number</i>	<i>Description</i>

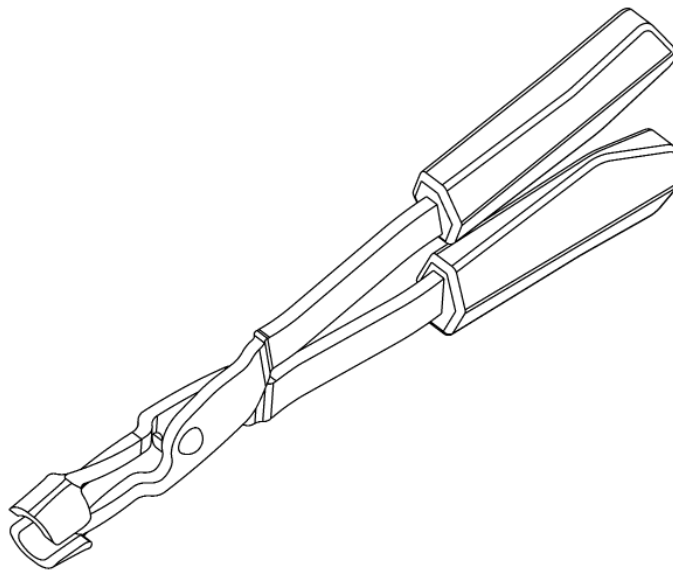
	TOOL			P/N	DESCRIPTION	QTY
	OT No.	Ind.	Ind.			
	60 0470			TM7346G001	SUPPORT	1
	60 0470	A		TM7346P001	. FLANGE	1
	60 0470	B		TM7346P002	. CAPTIVE SCREW	2

- ITEM NOT ILLUSTRATED

NP NON PROCURABLE

TM3369G001

Description: *PLIERS*



# SAFRAN HELICOPTER ENGINES

## ARRIUS 2 F

MAINTENANCE TOOLS CATALOG

<i>Description</i>	<i>Part Number</i>
<b>PLIERS</b>	<b>TM3369G001</b>

<i>This tool replaces the tool</i>
------------------------------------

<i>Supply code</i>	<i>Calibration frequency</i>	<i>Functional criteria check</i>
3 - 2	N/A	N/A

<i>Use</i>	
------------	--

<i>Use particularity</i>	
--------------------------	--

<i>Alternate</i>	<i>Part Number</i>	<i>Description</i>

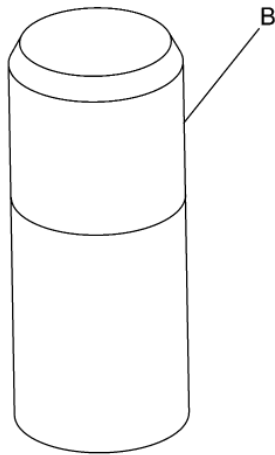
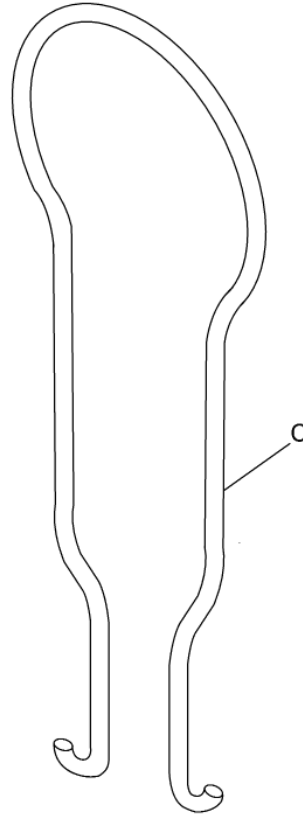
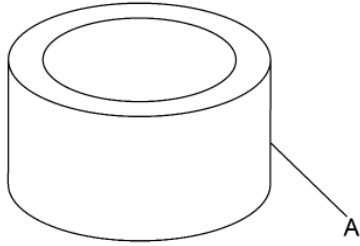
	TOOL			P/N	DESCRIPTION	QTY
	OT No.	Ind.	Ind.			
I	60 0480			TM3369G001	PLIERS	1

- ITEM NOT ILLUSTRATED

NP NON PROCURABLE

8813379000

Description: REMOVAL / INSTALLATION TOOL



# SAFRAN HELICOPTER ENGINES

## ARRIUS 2 F

MAINTENANCE TOOLS CATALOG

<i>Description</i>	<i>Part Number</i>
REMOVAL / INSTALLATION TOOL	8813379000

<i>This tool replaces the tool</i>	
------------------------------------	--

<i>Supply code</i>	<i>Calibration frequency</i>	<i>Functional criteria check</i>
3 - 2	N/A	N/A

<i>Use</i>	
------------	--

<i>Use particularity</i>	
--------------------------	--

<i>Alternate</i>	<i>Part Number</i>	<i>Description</i>

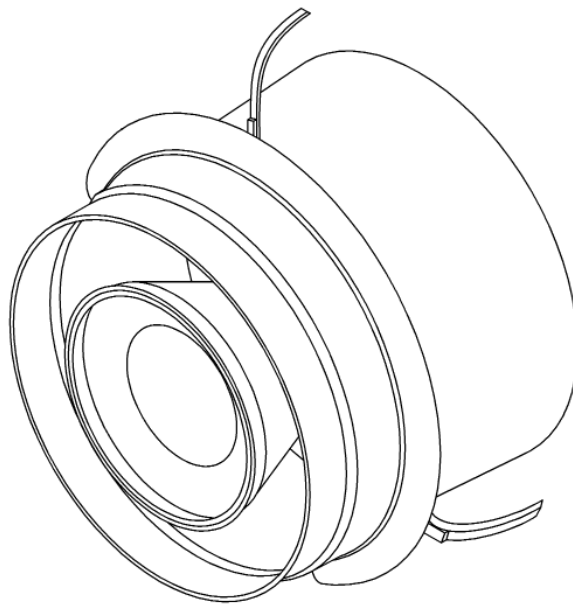
	TOOL			P/N	DESCRIPTION	QTY
	OT No.	Ind.	Ind.			
	60 0490			8813379000	REMOVAL / INSTALLATION TOOL	1
	60 0490	A		8813379001	. SEALOL RING	1
	60 0490	B		8813379002	. SEALOL INSTALLATION	1
	60 0490	C		8813379004	. SEALOL EXTRACTOR	1

- ITEM NOT ILLUSTRATED

NP NON PROCURABLE

8818658000

Description: PLUG





# SAFRAN HELICOPTER ENGINES

## ARRIUS 2 F

MAINTENANCE TOOLS CATALOG

<i>Description</i>	<i>Part Number</i>
<b>PLUG</b>	<b>8818658000</b>

<i>This tool replaces the tool</i>
------------------------------------

<i>Supply code</i>	<i>Calibration frequency</i>	<i>Functional criteria check</i>
3 - 2	N/A	N/A

<i>Use</i>	
------------	--

<i>Use particularity</i>	
--------------------------	--

<i>Alternate</i>	<i>Part Number</i>	<i>Description</i>

	TOOL			P/N	DESCRIPTION	QTY
	OT No.	Ind.	Ind.			
I	60 3060			8818658000	PLUG	1

- ITEM NOT ILLUSTRATED

NP NON PROCURABLE

<b>9789141500</b>	<i>Description: FEMALE PLUG</i>
-------------------	---------------------------------

NON ILLUSTRATED TOOL

# SAFRAN HELICOPTER ENGINES

## ARRIUS 2 F

MAINTENANCE TOOLS CATALOG

<i>Description</i>	<i>Part Number</i>
<b>FEMALE PLUG</b>	<b>9789141500</b>

<i>This tool replaces the tool</i>
------------------------------------

<i>Supply code</i>	<i>Calibration frequency</i>	<i>Functional criteria check</i>
3 - 2	N/A	N/A

<i>Use</i>	
------------	--

<i>Use particularity</i>	
--------------------------	--

<i>Alternate</i>	<i>Part Number</i>	<i>Description</i>

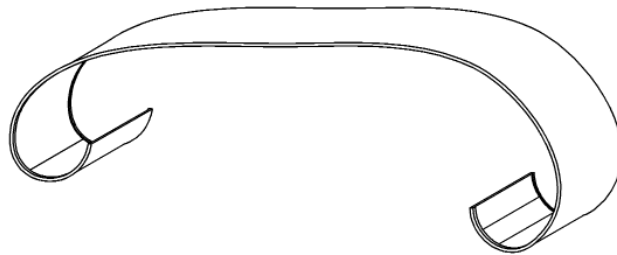
	TOOL			P/N	DESCRIPTION	QTY
	OT No.	Ind.	Ind.			
-	60 3070			9789141500	1 2 3 FEMALE PLUG	1

- ITEM NOT ILLUSTRATED

NP NON PROCURABLE

8817506000

Description: PLUG



# SAFRAN HELICOPTER ENGINES

## ARRIUS 2 F

MAINTENANCE TOOLS CATALOG

<i>Description</i>	<i>Part Number</i>
<b>PLUG</b>	<b>8817506000</b>

<i>This tool replaces the tool</i>
------------------------------------

<i>Supply code</i>	<i>Calibration frequency</i>	<i>Functional criteria check</i>
3 - 2	N/A	N/A

<i>Use</i>	
------------	--

<i>Use particularity</i>	
--------------------------	--

<i>Alternate</i>	<i>Part Number</i>	<i>Description</i>

	TOOL			P/N	DESCRIPTION	QTY
	OT No.	Ind.	Ind.			
1	60 3140			8817506000	1 2 3 PLUG	1

- ITEM NOT ILLUSTRATED

NP NON PROCURABLE

9789400070

Description: PLUG, DRAINS

NON ILLUSTRATED TOOL

# SAFRAN HELICOPTER ENGINES

## ARRIUS 2 F

MAINTENANCE TOOLS CATALOG

<i>Description</i>	<i>Part Number</i>
<b>PLUG, DRAINS</b>	<b>9789400070</b>

<i>This tool replaces the tool</i>
------------------------------------

<i>Supply code</i>	<i>Calibration frequency</i>	<i>Functional criteria check</i>
3 - 2	N/A	N/A

<i>Use</i>	
------------	--

<i>Use particularity</i>	
--------------------------	--

<i>Alternate</i>	<i>Part Number</i>	<i>Description</i>

	TOOL			P/N	DESCRIPTION	QTY
	OT No.	Ind.	Ind.			
-	60 3160			9789400070	PLUG, DRAINS	1

- ITEM NOT ILLUSTRATED

NP NON PROCURABLE

9789400300	Description: U30 PLUG
------------	-----------------------

NON ILLUSTRATED TOOL



# SAFRAN HELICOPTER ENGINES

## ARRIUS 2 F

MAINTENANCE TOOLS CATALOG

<i>Description</i>	<i>Part Number</i>
<b>U30 PLUG</b>	<b>9789400300</b>

<i>This tool replaces the tool</i>
------------------------------------

<i>Supply code</i>	<i>Calibration frequency</i>	<i>Functional criteria check</i>
3 - 2	N/A	N/A

<i>Use</i>	
------------	--

<i>Use particularity</i>	
--------------------------	--

<i>Alternate</i>	<i>Part Number</i>	<i>Description</i>

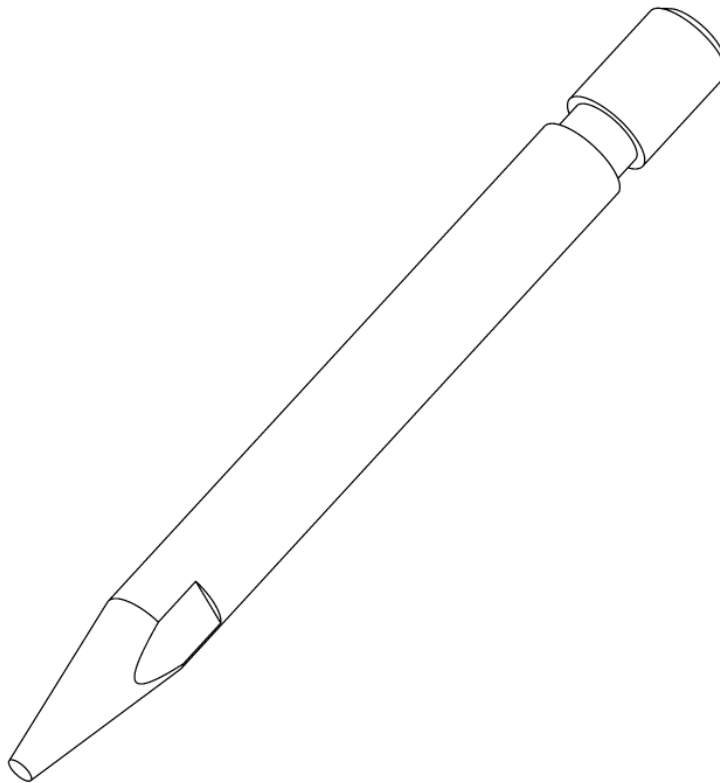
	TOOL			P/N	DESCRIPTION	QTY
	OT No.	Ind.	Ind.			
-	60 3180			9789400300	U30 PLUG	2

- ITEM NOT ILLUSTRATED

NP NON PROCURABLE

**TM5490G001**

*Description: GUIDE*



# SAFRAN HELICOPTER ENGINES

## ARRIUS 2 F

MAINTENANCE TOOLS CATALOG

<i>Description</i>	<i>Part Number</i>
<b>GUIDE</b>	<b>TM5490G001</b>

<i>This tool replaces the tool</i>
------------------------------------

<i>Supply code</i>	<i>Calibration frequency</i>	<i>Functional criteria check</i>
3 - 2	N/A	N/A

<i>Use</i>	
------------	--

<i>Use particularity</i>	
--------------------------	--

<i>Alternate</i>	<i>Part Number</i>	<i>Description</i>

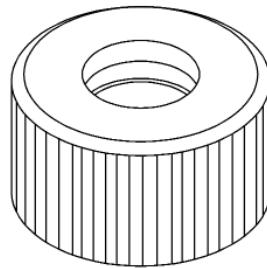
	TOOL			P/N	DESCRIPTION	QTY
	OT No.	Ind.	Ind.			
1	60 3310			TM5490G001	GUIDE	1

- ITEM NOT ILLUSTRATED

NP NON PROCURABLE

8819832000

Description: PROTECTOR NUT



# SAFRAN HELICOPTER ENGINES

## ARRIUS 2 F

MAINTENANCE TOOLS CATALOG

<i>Description</i>	<i>Part Number</i>
PROTECTOR NUT	8819832000

<i>This tool replaces the tool</i>
------------------------------------

<i>Supply code</i>	<i>Calibration frequency</i>	<i>Functional criteria check</i>
3 - 2	N/A	N/A

<i>Use</i>	
------------	--

<i>Use particularity</i>	
--------------------------	--

<i>Alternate</i>	<i>Part Number</i>	<i>Description</i>

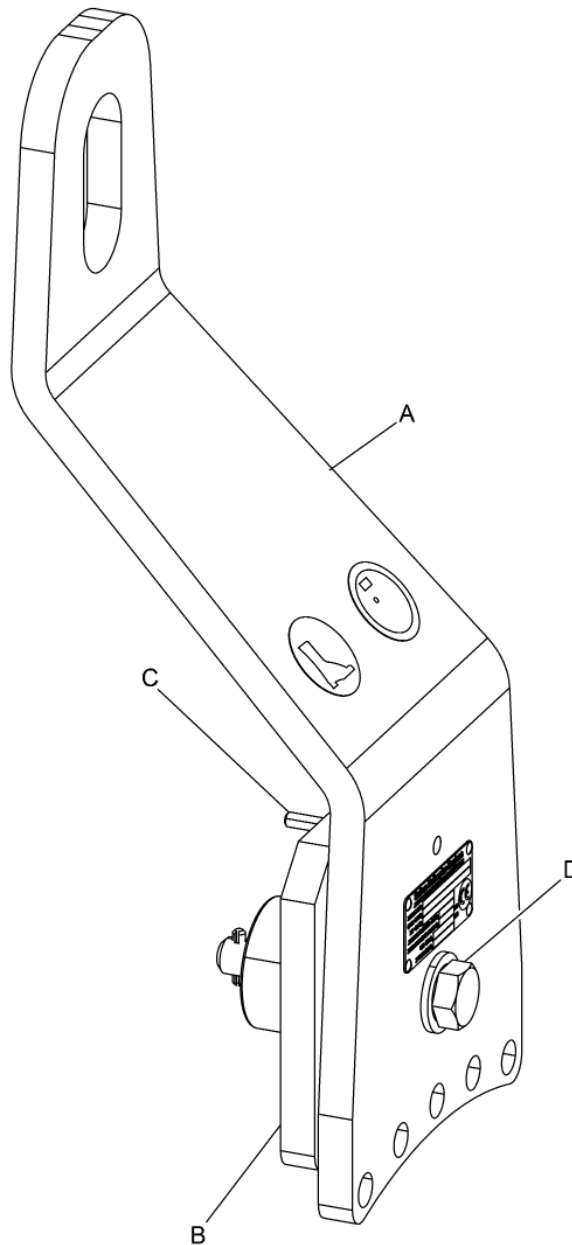
TOOL				P/N	DESCRIPTION	QTY
OT No.	Ind.	Ind.		1 2 3		
60 3320			8819832000	PROTECTOR NUT		4

- ITEM NOT ILLUSTRATED

NP NON PROCURABLE

TM7550G001

Description: LIFTING FIXTURES



# SAFRAN HELICOPTER ENGINES

## ARRIUS 2 F

MAINTENANCE TOOLS CATALOG

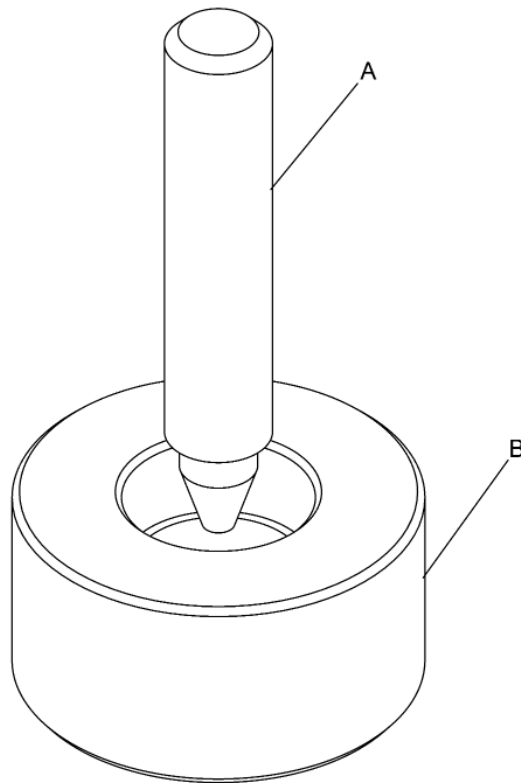
<i>Description</i>		<i>Part Number</i>		
LIFTING FIXTURES		TM7550G001		
<i>This tool replaces the tool</i>				
<i>Supply code</i>	<i>Calibration frequency</i>	<i>Functional criteria check</i>		
3 - 1	12	N/A		
<i>Use</i>	Tool used to hoist the module 02, gas generator module.			
<i>Use particularity</i>				
<i>Alternate</i>	<i>Part Number</i>	<i>Description</i>		
TOOL		P/N	DESCRIPTION	QTY
OT No.	Ind.	Ind.	1 2 3	
60 3340			LIFTING FIXTURES	1
60 3340	A		. BRACKET	1
60 3340	B		. CLAMP	1
60 3340	C		. GUIDE	1
60 3340	D		. SCREW MODIFIED	1

- ITEM NOT ILLUSTRATED

NP NON PROCURABLE

8814482000

Description: EXTRACTION MANDREL





# SAFRAN HELICOPTER ENGINES

## ARRIUS 2 F

MAINTENANCE TOOLS CATALOG

<i>Description</i>	<i>Part Number</i>
<b>EXTRACTION MANDREL</b>	<b>8814482000</b>

<i>This tool replaces the tool</i>
------------------------------------

<i>Supply code</i>	<i>Calibration frequency</i>	<i>Functional criteria check</i>
3 - 2	N/A	N/A

<i>Use</i>	
------------	--

<i>Use particularity</i>	
--------------------------	--

<i>Alternate</i>	<i>Part Number</i>	<i>Description</i>

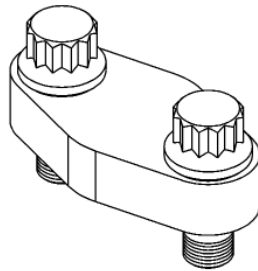
	TOOL			P/N	DESCRIPTION	QTY
	OT No.	Ind.	Ind.			
	70 0010			8814482000	EXTRACTION MANDREL	1
	70 0010	A		8814482001	. PLUNGER	1
	70 0010	B		8814482002	. STAND	1

- ITEM NOT ILLUSTRATED

NP NON PROCURABLE

TM4575G001

Description: PLUG



# SAFRAN HELICOPTER ENGINES

## ARRIUS 2 F

MAINTENANCE TOOLS CATALOG

<i>Description</i>	<i>Part Number</i>
<b>PLUG</b>	<b>TM4575G001</b>

<i>This tool replaces the tool</i>
------------------------------------

<i>Supply code</i>	<i>Calibration frequency</i>	<i>Functional criteria check</i>
3 - 2	N/A	N/A

<i>Use</i>	
------------	--

<i>Use particularity</i>	
--------------------------	--

<i>Alternate</i>	<i>Part Number</i>	<i>Description</i>

	TOOL			P/N	DESCRIPTION	QTY
	OT No.	Ind.	Ind.			
I	70 3030			TM4575G001	PLUG	2

- ITEM NOT ILLUSTRATED

NP NON PROCURABLE

9789181500	<i>Description: PLUG</i>
------------	--------------------------

NON ILLUSTRATED TOOL

# SAFRAN HELICOPTER ENGINES

## ARRIUS 2 F

MAINTENANCE TOOLS CATALOG

<i>Description</i>	<i>Part Number</i>
<b>PLUG</b>	<b>9789181500</b>

<i>This tool replaces the tool</i>
------------------------------------

<i>Supply code</i>	<i>Calibration frequency</i>	<i>Functional criteria check</i>
3 - 2	N/A	N/A

<i>Use</i>	
------------	--

<i>Use particularity</i>	
--------------------------	--

<i>Alternate</i>	<i>Part Number</i>	<i>Description</i>

	TOOL			P/N	DESCRIPTION	QTY
	OT No.	Ind.	Ind.			
I -	70 3110			9789181500	PLUG	1

- ITEM NOT ILLUSTRATED

NP NON PROCURABLE

<b>9789400180</b>	<i>Description: PLUG</i>
-------------------	--------------------------

NON ILLUSTRATED TOOL

# SAFRAN HELICOPTER ENGINES

## ARRIUS 2 F

MAINTENANCE TOOLS CATALOG

<i>Description</i>	<i>Part Number</i>
<b>PLUG</b>	<b>9789400180</b>

<i>This tool replaces the tool</i>
------------------------------------

<i>Supply code</i>	<i>Calibration frequency</i>	<i>Functional criteria check</i>
3 - 2	N/A	N/A

<i>Use</i>	
------------	--

<i>Use particularity</i>	
--------------------------	--

<i>Alternate</i>	<i>Part Number</i>	<i>Description</i>

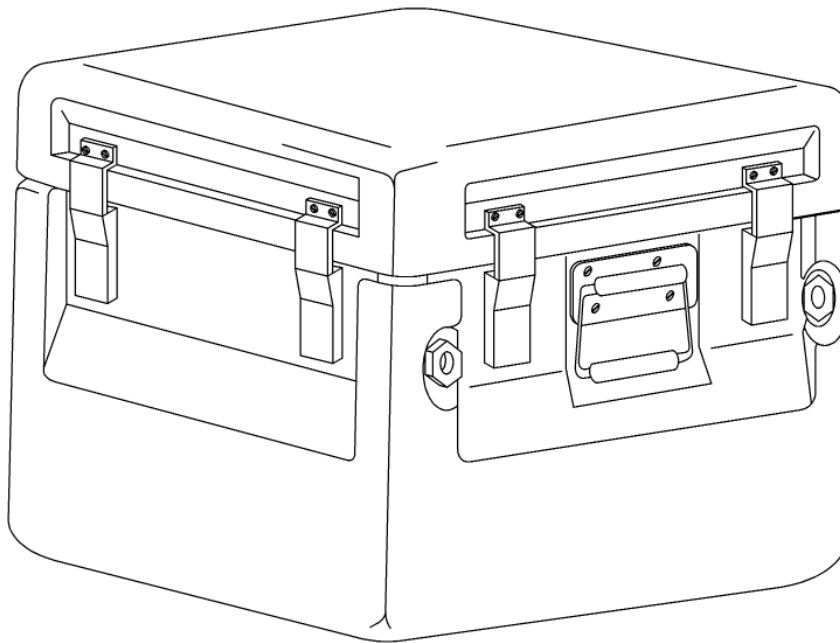
	TOOL			P/N	DESCRIPTION	QTY
	OT No.	Ind.	Ind.			
I -	70 3180			9789400180	PLUG	2

- ITEM NOT ILLUSTRATED

NP NON PROCURABLE

8819367000

Description: CONTAINER, BARE REDUCTION GEAR





# SAFRAN HELICOPTER ENGINES

## ARRIUS 2 F

MAINTENANCE TOOLS CATALOG

Description	Part Number
CONTAINER, BARE REDUCTION GEAR	8819367000

<i>This tool replaces the tool</i>
------------------------------------

Supply code	Calibration frequency	Functional criteria check
3 - 2	N/A	N/A

<b>Use</b>	Laminated container (C2R type) used to transport and store the reduction gear (Module 01).
<b>Use particularity</b>	

Alternate	Part Number	Description

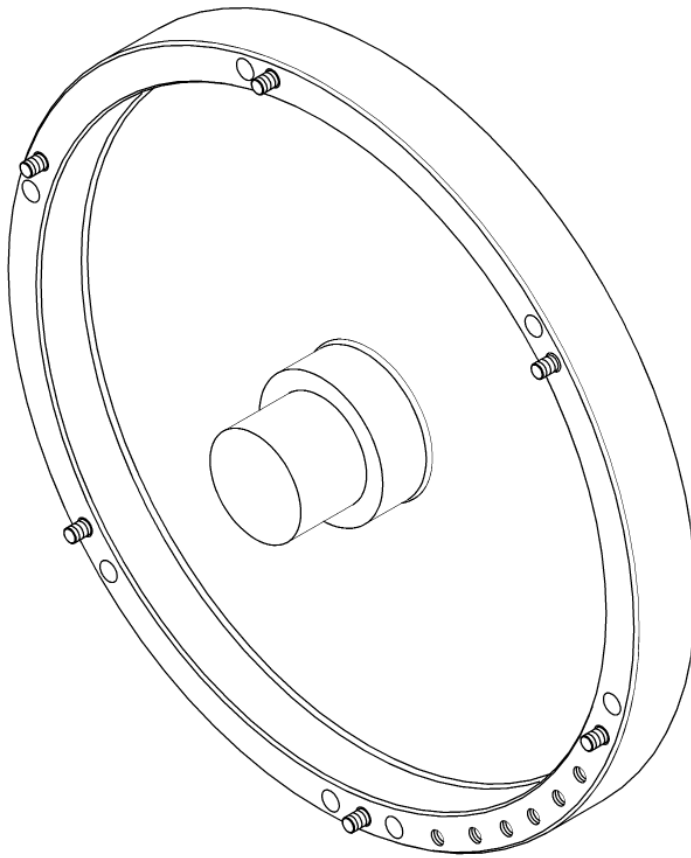
	TOOL			P/N	DESCRIPTION	QTY
	OT No.	Ind.	Ind.			
	80 0020			8819367000	CONTAINER, BARE REDUCTION GEAR	1
-	80 0020	A		8816389000	. PLUG	1
-	80 0020	B		8819828000	. PLUG	1
-	80 0020	C		TM4589G001	. PLUG	1
-	80 0020	D		8819373000	. PLUG	1
-	80 0020	E		8819372000	. PLUG	2
-	80 0020	F		8819370000	. PLUG	1
-	80 0020	G		TM4585G001	. PLUG	2
-	80 0020	H		TM4584G001	. PLUG	1
-	80 0020	I		TM4583G001	. PLUG	1
-	80 0020	J		TM4582G001	. PLUG	7
-	80 0020	K		8818644000	. PLUG	1
-	80 0020	L		TM4362G001	. PLUG	1
-	80 0020	M		8816228000	. PLUG, STARTER	1
-	80 0020	N		8819645000	. PLUG	1
-	80 0020	O		9561490180	. PLUG	1

- ITEM NOT ILLUSTRATED

NP NON PROCURABLE

8818641000

Description: PLUG



ARRIUS 2 F

<i>Description</i>	<i>Part Number</i>
<b>PLUG</b>	<b>8818641000</b>

<i>This tool replaces the tool</i>
------------------------------------

<i>Supply code</i>	<i>Calibration frequency</i>	<i>Functional criteria check</i>
3 - 2	N/A	N/A

<i>Use</i>	Tool used to plug the rear of the removed reduction gear.
------------	---

<i>Use particularity</i>	
--------------------------	--

<i>Alternate</i>	<i>Part Number</i>	<i>Description</i>

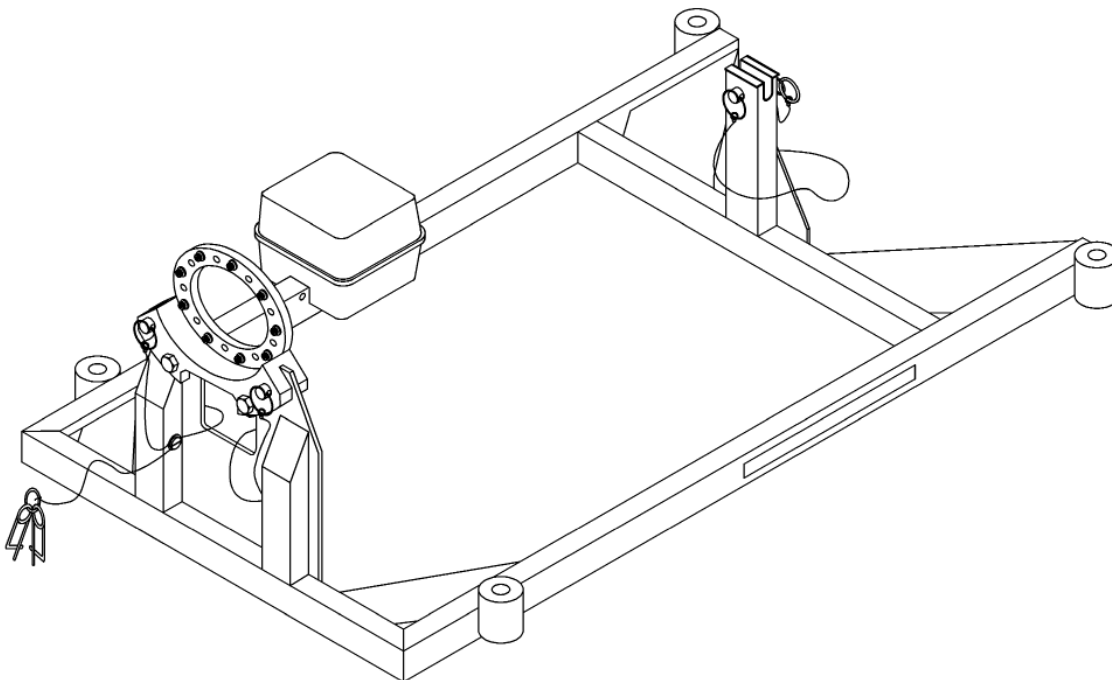
	TOOL			P/N	DESCRIPTION	QTY
	OT No.	Ind.	Ind.			
-	80 0060			8818641000	1 2 3 PLUG	1
	80 0060	A		9560152620	. SCREW	6

- ITEM NOT ILLUSTRATED

NP NON PROCURABLE

8819331000

Description: ENGINE MOUNT ASSEMBLY



# SAFRAN HELICOPTER ENGINES

## ARRIUS 2 F

MAINTENANCE TOOLS CATALOG

<i>Description</i>	<i>Part Number</i>
<b>ENGINE MOUNT ASSEMBLY</b>	<b>8819331000</b>

<i>This tool replaces the tool</i>
------------------------------------

<i>Supply code</i>	<i>Calibration frequency</i>	<i>Functional criteria check</i>
3 - 2	N/A	N/A

<b>Use</b>	Tool use to install the engine on a trolley to transport it to workshop, in a container for storage.
------------	--

<b>Use particularity</b>	
--------------------------	--

<i>Alternate</i>	<i>Part Number</i>	<i>Description</i>

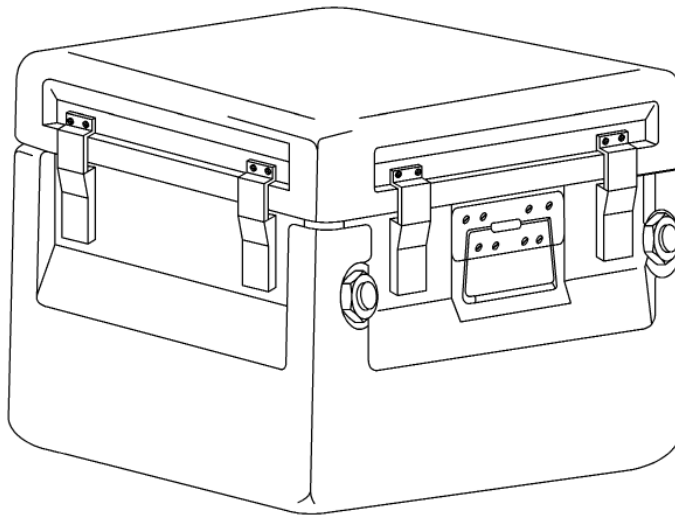
TOOL				P/N	DESCRIPTION	QTY
OT No.	Ind.	Ind.		1 2 3		
	80 0080			8819331000	ENGINE MOUNT ASSEMBLY	1
-	80 0080	A		8810600006	. PIN	3
-	80 0080	B		8819331002	. REAR FLANGE	1
-	80 0080	C		8818314000	. H.E. IGNITION UNIT	1
-	80 0080	D		8819331001	. HOISTING BEAM	1

- ITEM NOT ILLUSTRATED

NP NON PROCURABLE

8819823000

Description: CONTAINER, REDUCTION GEARBOX



ARRIUS 2 F

<i>Description</i>	<i>Part Number</i>
CONTAINER, REDUCTION GEARBOX	8819823000

<i>This tool replaces the tool</i>
------------------------------------

<i>Supply code</i>	<i>Calibration frequency</i>	<i>Functional criteria check</i>
3 - 2	N/A	N/A

<i>Use</i>	Container (C2R type) use to transport and store the REDUCTION GEARBOX (module 01).
------------	--

<i>Use particularity</i>	
--------------------------	--

<i>Alternate</i>	<i>Part Number</i>	<i>Description</i>

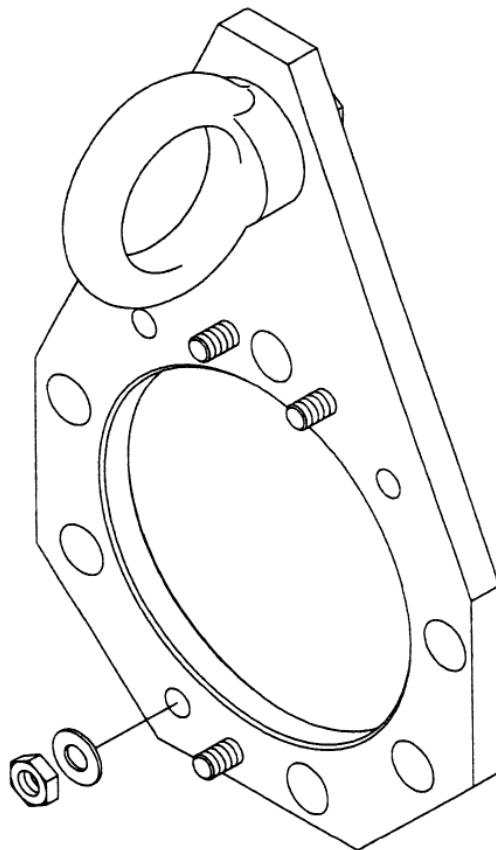
	TOOL			P/N	DESCRIPTION	QTY
	OT No.	Ind.	Ind.			
					1 2 3	
   -	80 0100			8819823000	CONTAINER, REDUCTION GEARBOX	1
	80 0100	A		8819823200	. PLUGS KIT	1

- ITEM NOT ILLUSTRATED

NP NON PROCURABLE

8819454000

Description: HANDLING MATCHING





# SAFRAN HELICOPTER ENGINES

## ARRIUS 2 F

MAINTENANCE TOOLS CATALOG

<i>Description</i>	<i>Part Number</i>
HANDLING MATCHING	8819454000

<i>This tool replaces the tool</i>
------------------------------------

<i>Supply code</i>	<i>Calibration frequency</i>	<i>Functional criteria check</i>
3 - 2	N/A	N/A

<i>Use</i>	Tool to install engine reduction gear inside container
------------	--

<i>Use particularity</i>	
--------------------------	--

<i>Alternate</i>	<i>Part Number</i>	<i>Description</i>

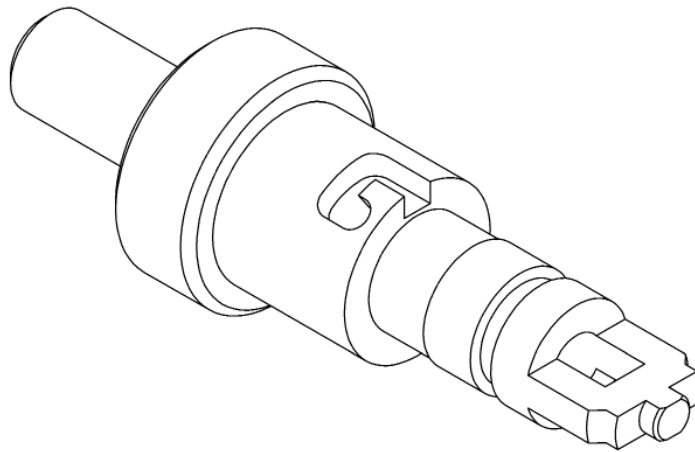
	TOOL			P/N	DESCRIPTION	QTY
	OT No.	Ind.	Ind.			
I	80 0120			8819454000	HANDLING MATCHING	1

- ITEM NOT ILLUSTRATED

NP NON PROCURABLE

8816520000

Description: DRAINING DEVICE



# TURBOMECA ARRIUS 2 F

<i>Description</i>		<i>Part Number</i>
DRAINING DEVICE		8816520000
<i>This tool replaces the tool</i>		8819450000
<i>Supply code</i>	<i>Calibration frequency</i>	<i>Functional criteria check</i>
3 - 2	N/A	N/A
<i>Use</i>	Device use to drain the engine through the drain plug or the front magnetic plug	
<i>Use particularity</i>		
<i>Alternate</i>	<i>Part Number</i>	<i>Description</i>

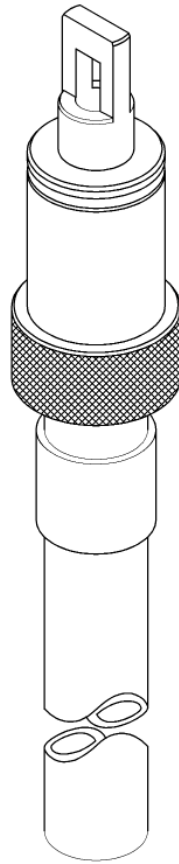
	TOOL			P/N	DESCRIPTION	QTY
	OT No.	Ind.	Ind.			
					1 2 3	
   -	80 0130			8816520000	DRAINING DEVICE	1
	80 0130	A		9681800921	. PACKING PREFORMED	1

- ITEM NOT ILLUSTRATED

NP NON PROCURABLE

**TM0310G001**

*Description: DRAINING DEVICE*



# SAFRAN HELICOPTER ENGINES

## ARRIUS 2 F

MAINTENANCE TOOLS CATALOG

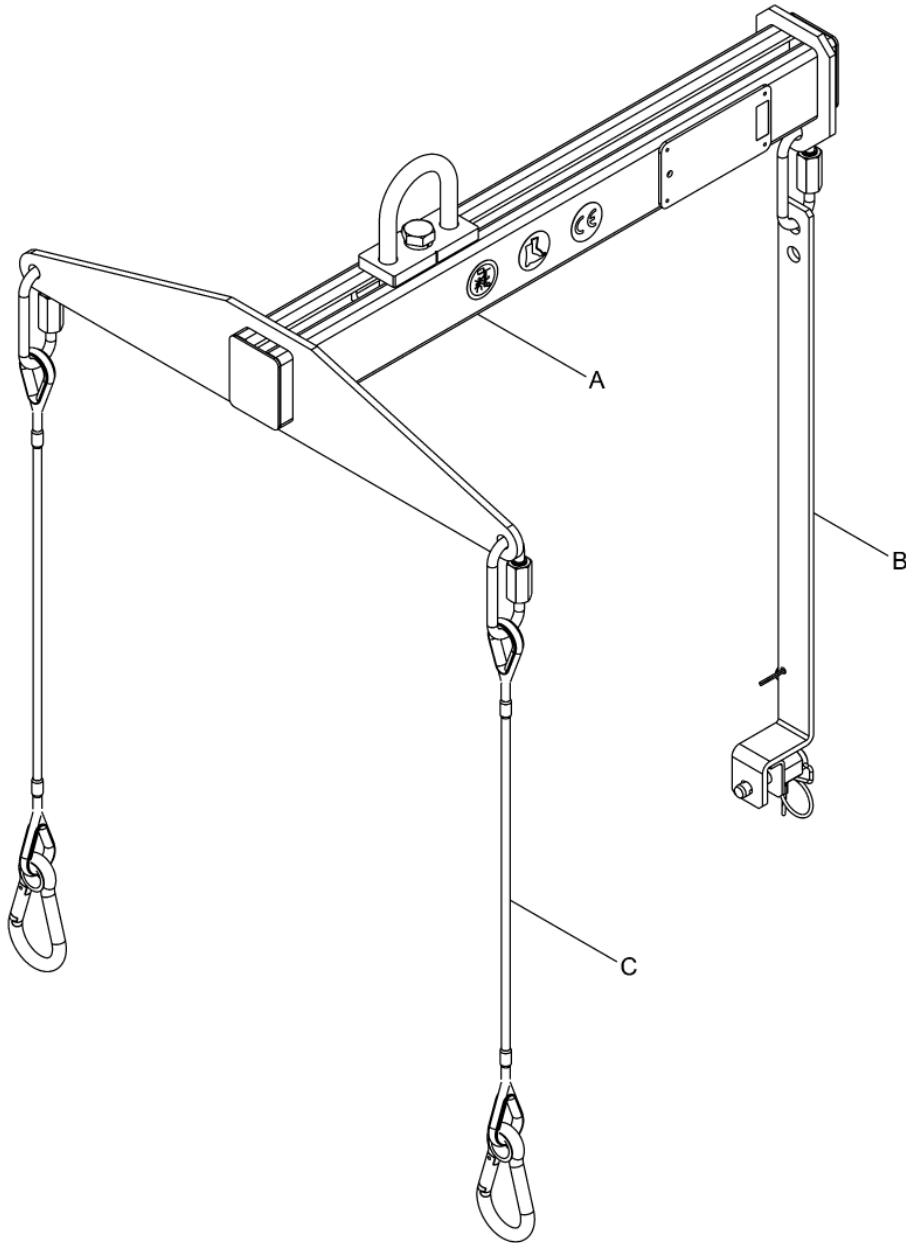
<i>Description</i>		<i>Part Number</i>				
<b>DRAINING DEVICE</b>		<b>TM0310G001</b>				
<i>This tool replaces the tool</i>						
<i>Supply code</i>	<i>Calibration frequency</i>	<i>Functional criteria check</i>				
3 - 2	N/A	N/A				
<i>Use</i>	Device use to drain the engine through the drain plug (pre TF 35A) or the magnetic plug (pre TF 34A)					
<i>Use particularity</i>						
<i>Alternate</i>	<i>Part Number</i>		<i>Description</i>			
<b>TOOL</b>				<b>P/N</b>	<b>DESCRIPTION</b>	<b>QTY</b>
OT No.	Ind.	Ind.	1 2 3			
-	80 0140			TM0310G001	DRAINING DEVICE	1
	80 0140	A		TM0310P002	. PACKING PREFORMED	1

- ITEM NOT ILLUSTRATED

NP NON PROCURABLE

TM2812G001

Description: HOISTING SLING



# SAFRAN HELICOPTER ENGINES

## ARRIUS 2 F

MAINTENANCE TOOLS CATALOG

<i>Description</i>	<i>Part Number</i>
<b>HOISTING SLING</b>	<b>TM2812G001</b>

<i>This tool replaces the tool</i>
------------------------------------

<i>Supply code</i>	<i>Calibration frequency</i>	<i>Functional criteria check</i>
3 - 1	12	N/A

<b>Use</b>	Tool used to handle the engine with a pulley-block
------------	--

<b>Use particularity</b>	The alternative 8818368000 is specific to the F effectivity and the 8818632000 to B1-B1A-B2-K1-K2-G1-F effectivities. The alternative TM6721G001 can be used with all Arrius 2 variants.
--------------------------	--

<i>Alternate</i>	<i>Part Number</i>	<i>Description</i>
	8818632000, 8818368000, TM6721G001	HOISTING SLING

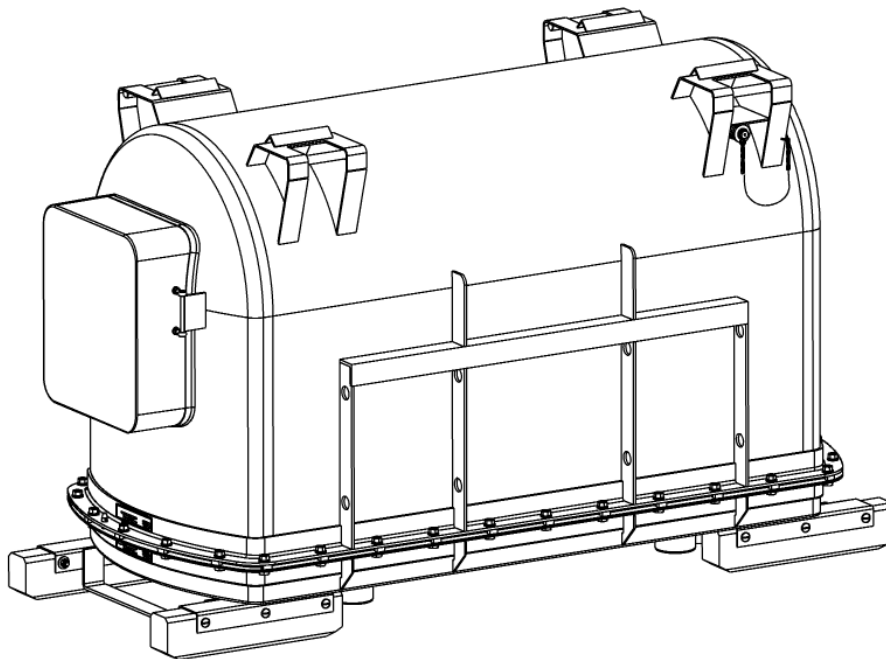
	TOOL			P/N	DESCRIPTION	QTY
	OT No.	Ind.	Ind.			
	80 0150			TM2812G001	HOISTING SLING	1
	80 0150	A		TM2812P001	. HOISTING BEAM	3
	80 0150	B		TM2812P002	. ARM	1
	80 0150	C		TM2812P003	. SLING	2

- ITEM NOT ILLUSTRATED

NP NON PROCURABLE

8819212000

Description: BARE METALLIC CONTAINER





# SAFRAN HELICOPTER ENGINES

## ARRIUS 2 F

MAINTENANCE TOOLS CATALOG

<i>Description</i>	<i>Part Number</i>
BARE METALLIC CONTAINER	8819212000

<i>This tool replaces the tool</i>
------------------------------------

<i>Supply code</i>	<i>Calibration frequency</i>	<i>Functional criteria check</i>
3 - 2	N/A	N/A

<b>Use</b>	Container that enables the engine to be conveyed.
------------	---

<b>Use particularity</b>	
--------------------------	--

<i>Alternate</i>	<i>Part Number</i>	<i>Description</i>

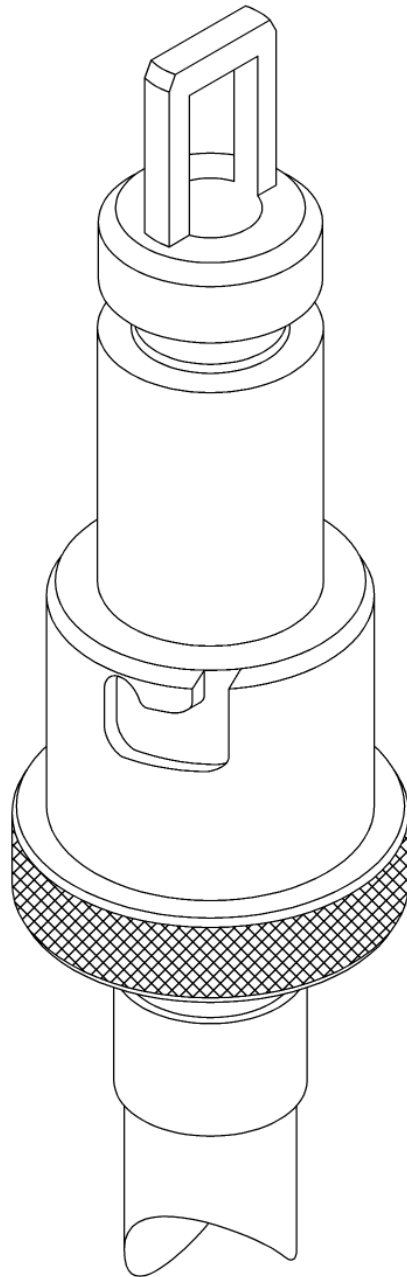
	TOOL			P/N	DESCRIPTION	QTY
	OT No.	Ind.	Ind.			
	80 0180			8819212000	BARE METALLIC CONTAINER	1
-	80 0180	A		8819212020	. PACKING, PREFORMED	1
-	80 0180	A	1	9610053120	. . PRESSURE RELIEF VALVE ¼ G	1
-	80 0180	A	2	9610053100	. . VALVE	1
-	80 0180	A	3	9610053130	. . HUMIDITY INDICATOR	1

- ITEM NOT ILLUSTRATED

NP NON PROCURABLE

8818174000

Description: DRAINING DEVICE



# SAFRAN HELICOPTER ENGINES

## ARRIUS 2 F

MAINTENANCE TOOLS CATALOG

<i>Description</i>	<i>Part Number</i>
<b>DRAINING DEVICE</b>	<b>8818174000</b>

<i>This tool replaces the tool</i>
------------------------------------

<i>Supply code</i>	<i>Calibration frequency</i>	<i>Functional criteria check</i>
3 - 2	N/A	N/A

<i>Use</i>	Device use to drain the engine through the front magnetic plug (pre TF 34A)
------------	---

<i>Use particularity</i>	
--------------------------	--

<i>Alternate</i>	<i>Part Number</i>	<i>Description</i>

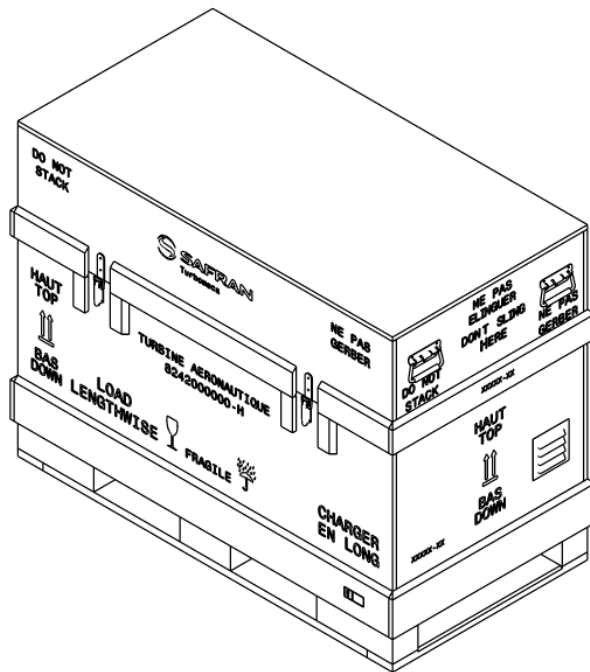
	TOOL			P/N	DESCRIPTION	QTY
	OT No.	Ind.	Ind.			
I	80 0190			8818174000	DRAINING DEVICE	1

- ITEM NOT ILLUSTRATED

NP NON PROCURABLE

8242000000

Description: SHIPMENT CONTAINER



# SAFRAN HELICOPTER ENGINES

## ARRIUS 2 F

MAINTENANCE TOOLS CATALOG

<i>Description</i>	<i>Part Number</i>
SHIPMENT CONTAINER	8242000000

<i>This tool replaces the tool</i>
------------------------------------

<i>Supply code</i>	<i>Calibration frequency</i>	<i>Functional criteria check</i>
3 - 2	N/A	N/A

<i>Use</i>	
------------	--

<i>Use particularity</i>	
--------------------------	--

<i>Alternate</i>	<i>Part Number</i>	<i>Description</i>

TOOL				P/N	DESCRIPTION	QTY
OT No.	Ind.	Ind.		1 2 3		
80 0230			8242000000	SHIPMENT CONTAINER		1

- ITEM NOT ILLUSTRATED

NP NON PROCURABLE

<b>TM1646G001</b>	<i>Description: PLUG, AIR INTAKE</i>
-------------------	--------------------------------------

NON ILLUSTRATED TOOL

# SAFRAN HELICOPTER ENGINES

## ARRIUS 2 F

MAINTENANCE TOOLS CATALOG

<i>Description</i>	<i>Part Number</i>
<b>PLUG, AIR INTAKE</b>	<b>TM1646G001</b>

<i>This tool replaces the tool</i>
------------------------------------

<i>Supply code</i>	<i>Calibration frequency</i>	<i>Functional criteria check</i>
3 - 2	N/A	N/A

<i>Use</i>	
------------	--

<i>Use particularity</i>	
--------------------------	--

<i>Alternate</i>	<i>Part Number</i>	<i>Description</i>
	8818657000	PLUG, AIR INTAKE

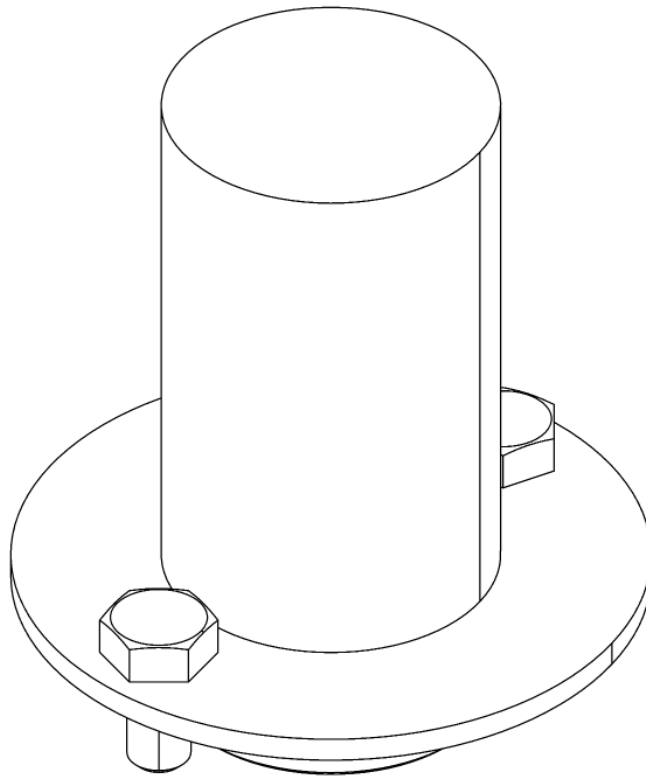
	TOOL			P/N	DESCRIPTION	QTY
	OT No.	Ind.	Ind.			
-	80 0240			TM1646G001	PLUG, AIR INTAKE	1

- ITEM NOT ILLUSTRATED

NP NON PROCURABLE

TM5216G001

Description: PLUG





# SAFRAN HELICOPTER ENGINES

## ARRIUS 2 F

MAINTENANCE TOOLS CATALOG

<i>Description</i>	<i>Part Number</i>
<b>PLUG</b>	<b>TM5216G001</b>

<i>This tool replaces the tool</i>
------------------------------------

<i>Supply code</i>	<i>Calibration frequency</i>	<i>Functional criteria check</i>
3 - 2	N/A	N/A

<i>Use</i>	
------------	--

<i>Use particularity</i>	
--------------------------	--

<i>Alternate</i>	<i>Part Number</i>	<i>Description</i>

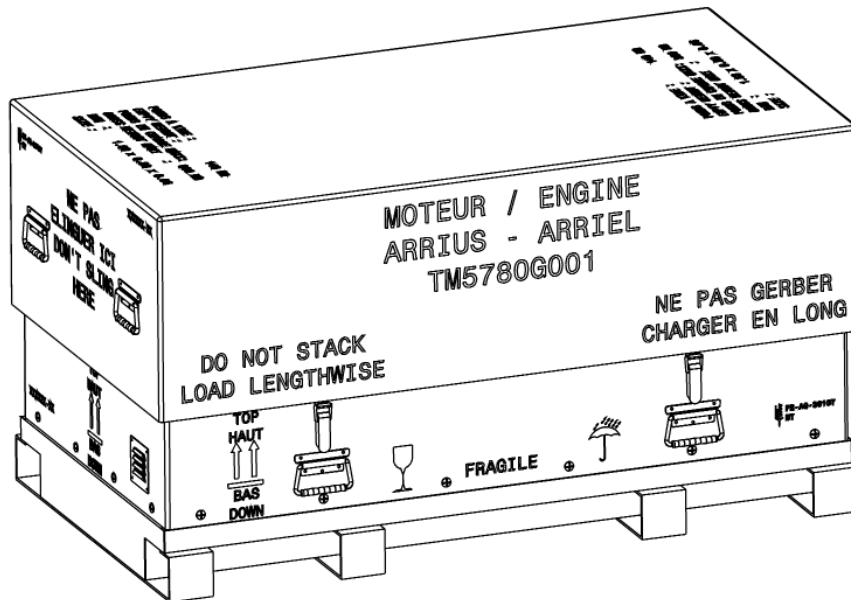
	TOOL			P/N	DESCRIPTION	QTY
	OT No.	Ind.	Ind.			
I	80 0280			TM5216G001	PLUG	1

- ITEM NOT ILLUSTRATED

NP NON PROCURABLE

TM5780G001

Description: ENGINE CONTAINER



# SAFRAN HELICOPTER ENGINES

## ARRIUS 2 F

MAINTENANCE TOOLS CATALOG

<i>Description</i>	<i>Part Number</i>
ENGINE CONTAINER	TM5780G001

<i>This tool replaces the tool</i>
------------------------------------

<i>Supply code</i>	<i>Calibration frequency</i>	<i>Functional criteria check</i>
3 - 2	N/A	N/A

<i>Use</i>	
------------	--

<i>Use particularity</i>	
--------------------------	--

<i>Alternate</i>	<i>Part Number</i>	<i>Description</i>

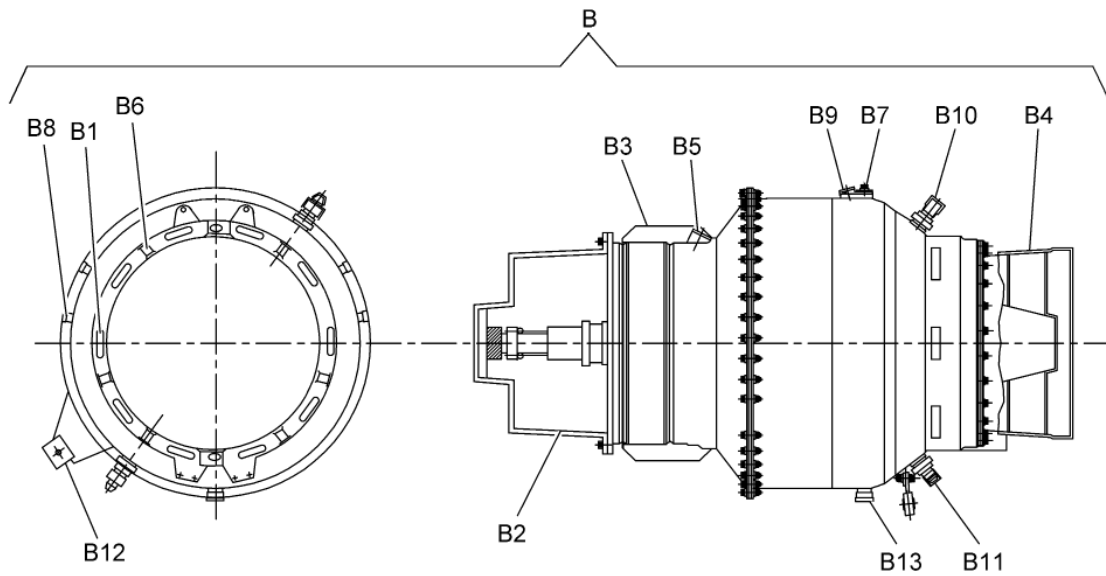
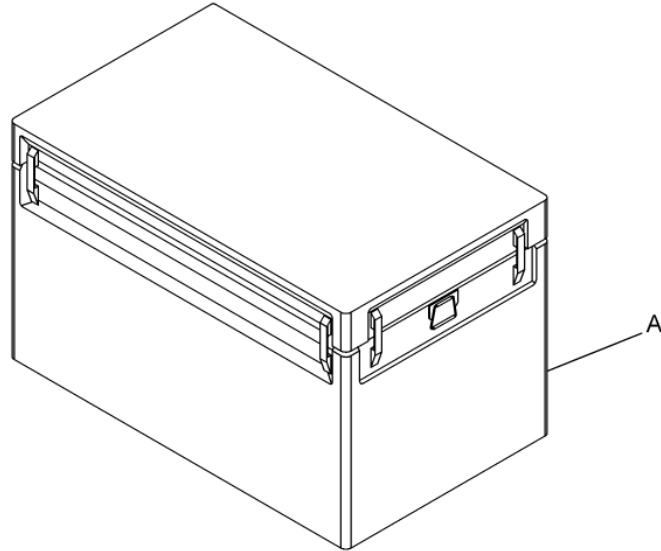
TOOL				P/N	DESCRIPTION	QTY
OT No.	Ind.	Ind.		1 2 3		
80 3010			TM5780G001	ENGINE CONTAINER		1

- ITEM NOT ILLUSTRATED

NP NON PROCURABLE

TM0582G001

Description: CONTAINER, GAS GENERATOR



# SAFRAN HELICOPTER ENGINES

## ARRIUS 2 F

MAINTENANCE TOOLS CATALOG

Description	Part Number
CONTAINER, GAS GENERATOR	TM0582G001

<i>This tool replaces the tool</i>
------------------------------------

Supply code	Calibration frequency	Functional criteria check
3 - 2	N/A	N/A

<b>Use</b>	Laminated container (C2R type) used to transport and store the gas generator (Module 02).
------------	---

<b>Use particularity</b>	Other plugs references can be used in alternative.
--------------------------	--

Alternate	Part Number	Description
	8818620000	CONTAINER, GAS GENERATOR

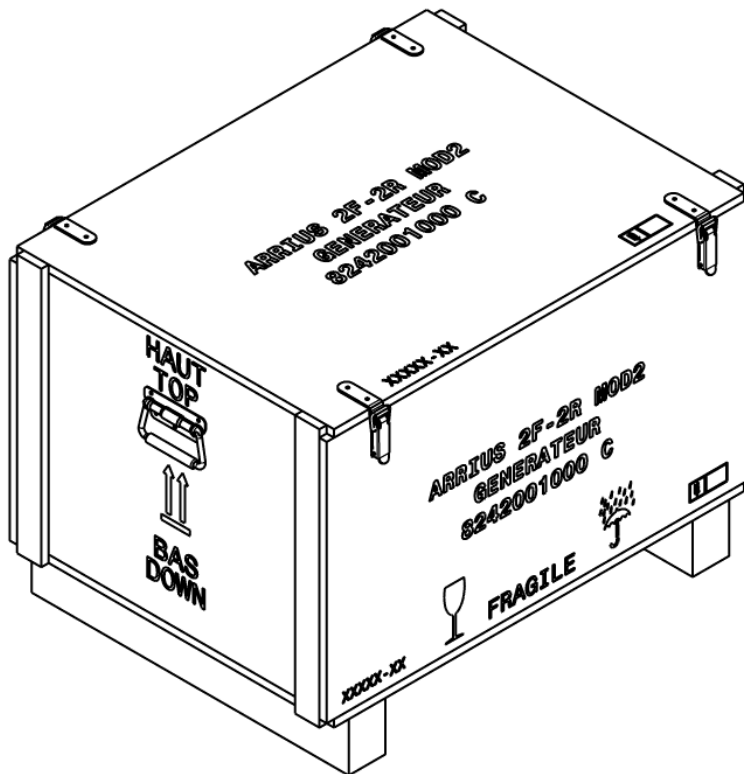
TOOL				P/N	DESCRIPTION	QTY
OT No.	Ind.	Ind.		1 2 3		
80 3030				TM0582G001	CONTAINER, GAS GENERATOR	1
80 3030	A			TM0582P001	. BARE CONTAINER, GAS GENERATOR	1
80 3030	B			TM0714G001	. PLUGS, KIT	1
80 3030	B	1		TM4577G001	. . PLUG, INJECTOR	10
80 3030	B	2		8818656000	. . SHIPPING PROTECTOR	1
80 3030	B	3		TM1646G001	. . PLUG, AIR INTAKE	1
80 3030	B	4		8818658000	. . PLUG, EXHAUST CONE	1
80 3030	B	5		TM4586G001	. . PLUG, OIL	5
80 3030	B	6		TM4587G001	. . PLUG, THERMOCOUPLE	6
80 3030	B	7		TM4578G001	. . PLUG	2
80 3030	B	8		TM4574G001	. . PLUG	2
80 3030	B	9		8816389000	. . PLUG	2
80 3030	B	10		9789161500	. . PLUG	1
80 3030	B	11		9789141500	. . PLUG	2
80 3030	B	12		9789400120	. . PLUG	1
80 3030	B	13		TM4575G001	. . PLUG	3

- ITEM NOT ILLUSTRATED

NP NON PROCURABLE

8242001000

Description: SHIPMENT BOX



# SAFRAN HELICOPTER ENGINES

## ARRIUS 2 F

MAINTENANCE TOOLS CATALOG

<i>Description</i>	<i>Part Number</i>
SHIPMENT BOX	8242001000

<i>This tool replaces the tool</i>
------------------------------------

<i>Supply code</i>	<i>Calibration frequency</i>	<i>Functional criteria check</i>
3 - 2	N/A	N/A

<i>Use</i>	
------------	--

<i>Use particularity</i>	The alternative 8242000300 is specific to the B1-B1A-B2 effectivities and the 8242000320 to G1-K1-K2 effectivities.
--------------------------	---

<i>Alternate</i>	<i>Part Number</i>	<i>Description</i>
	8242000300, 8242000320	SHIPMENT BOX

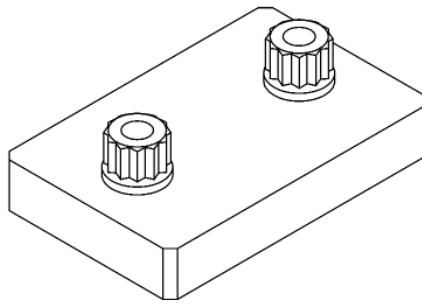
	TOOL			P/N	DESCRIPTION	QTY
	OT No.	Ind.	Ind.			
I	80 3140			8242001000	SHIPMENT BOX	1

- ITEM NOT ILLUSTRATED

NP NON PROCURABLE

8816389000

Description: PLUG





# SAFRAN HELICOPTER ENGINES

## ARRIUS 2 F

MAINTENANCE TOOLS CATALOG

<i>Description</i>	<i>Part Number</i>
<b>PLUG</b>	<b>8816389000</b>

<i>This tool replaces the tool</i>
------------------------------------

<i>Supply code</i>	<i>Calibration frequency</i>	<i>Functional criteria check</i>
3 - 2	N/A	N/A

<i>Use</i>	
------------	--

<i>Use particularity</i>	
--------------------------	--

<i>Alternate</i>	<i>Part Number</i>	<i>Description</i>

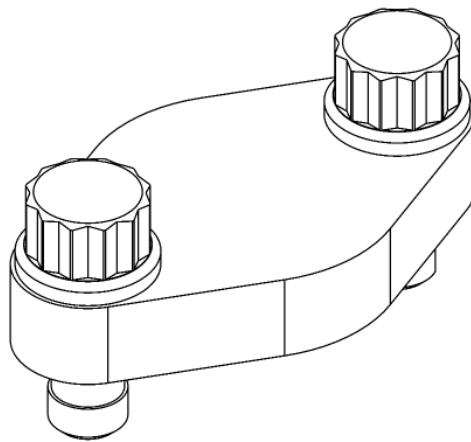
	TOOL			P/N	DESCRIPTION	QTY
	OT No.	Ind.	Ind.			
I	80 3160			8816389000	PLUG	2

- ITEM NOT ILLUSTRATED

NP NON PROCURABLE

TM4574G001

Description: PLUG



# SAFRAN HELICOPTER ENGINES

## ARRIUS 2 F

MAINTENANCE TOOLS CATALOG

<i>Description</i>	<i>Part Number</i>
<b>PLUG</b>	<b>TM4574G001</b>

<i>This tool replaces the tool</i>
------------------------------------

<i>Supply code</i>	<i>Calibration frequency</i>	<i>Functional criteria check</i>
3 - 2	N/A	N/A

<i>Use</i>	
------------	--

<i>Use particularity</i>	
--------------------------	--

<i>Alternate</i>	<i>Part Number</i>	<i>Description</i>
	8816436000	PLUG

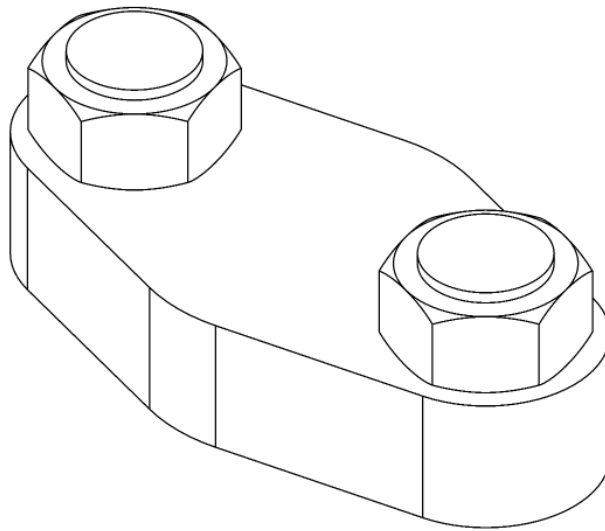
	TOOL			P/N	DESCRIPTION	QTY
	OT No.	Ind.	Ind.			
I	80 3170			TM4574G001	PLUG	1

- ITEM NOT ILLUSTRATED

NP NON PROCURABLE

TM4577G001

Description: PLUG



# SAFRAN HELICOPTER ENGINES

## ARRIUS 2 F

MAINTENANCE TOOLS CATALOG

<i>Description</i>	<i>Part Number</i>
<b>PLUG</b>	<b>TM4577G001</b>

<i>This tool replaces the tool</i>
------------------------------------

<i>Supply code</i>	<i>Calibration frequency</i>	<i>Functional criteria check</i>
3 - 2	N/A	N/A

<i>Use</i>	
------------	--

<i>Use particularity</i>	
--------------------------	--

<i>Alternate</i>	<i>Part Number</i>	<i>Description</i>
	TM5542G001	PLUG

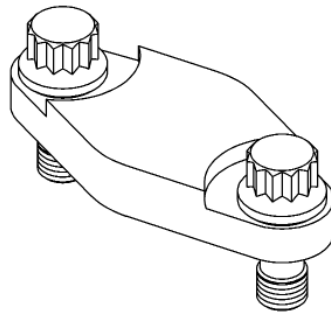
	TOOL			P/N	DESCRIPTION	QTY
	OT No.	Ind.	Ind.			
1	80 3240			TM4577G001	PLUG	10

- ITEM NOT ILLUSTRATED

NP NON PROCURABLE

TM4578G001

Description: PLUG



# SAFRAN HELICOPTER ENGINES

## ARRIUS 2 F

MAINTENANCE TOOLS CATALOG

<i>Description</i>	<i>Part Number</i>
<b>PLUG</b>	<b>TM4578G001</b>

<i>This tool replaces the tool</i>
------------------------------------

<i>Supply code</i>	<i>Calibration frequency</i>	<i>Functional criteria check</i>
3 - 2	N/A	N/A

<i>Use</i>	
------------	--

<i>Use particularity</i>	
--------------------------	--

<i>Alternate</i>	<i>Part Number</i>	<i>Description</i>

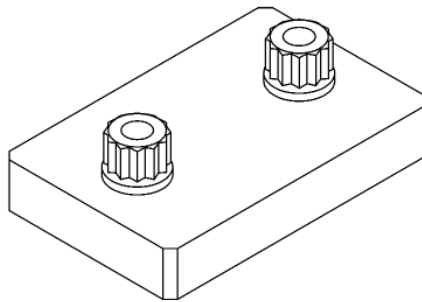
	TOOL			P/N	DESCRIPTION	QTY
	OT No.	Ind.	Ind.			
I	80 3250			TM4578G001	1 2 3 PLUG	2

- ITEM NOT ILLUSTRATED

NP NON PROCURABLE

TM4586G001

Description: PLUG, OIL





# SAFRAN HELICOPTER ENGINES

## ARRIUS 2 F

MAINTENANCE TOOLS CATALOG

<i>Description</i>	<i>Part Number</i>
<b>PLUG, OIL</b>	<b>TM4586G001</b>

<i>This tool replaces the tool</i>
------------------------------------

<i>Supply code</i>	<i>Calibration frequency</i>	<i>Functional criteria check</i>
3 - 2	N/A	N/A

<i>Use</i>	
------------	--

<i>Use particularity</i>	
--------------------------	--

<i>Alternate</i>	<i>Part Number</i>	<i>Description</i>

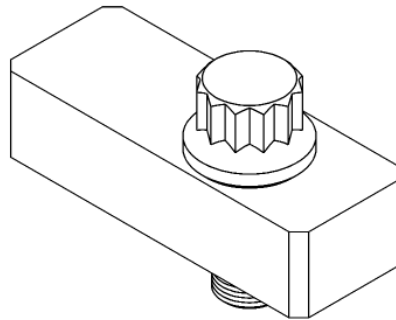
	TOOL			P/N	DESCRIPTION	QTY
	OT No.	Ind.	Ind.			
1	80 3270			TM4586G001	1 2 3 PLUG, OIL	4

- ITEM NOT ILLUSTRATED

NP NON PROCURABLE

**TM4587G001**

*Description: PLUG, THERMOCOUPLE*



# SAFRAN HELICOPTER ENGINES

## ARRIUS 2 F

MAINTENANCE TOOLS CATALOG

<i>Description</i>	<i>Part Number</i>
PLUG, THERMOCOUPLE	TM4587G001

<i>This tool replaces the tool</i>
------------------------------------

<i>Supply code</i>	<i>Calibration frequency</i>	<i>Functional criteria check</i>
3 - 2	N/A	N/A

<i>Use</i>	
------------	--

<i>Use particularity</i>	
--------------------------	--

<i>Alternate</i>	<i>Part Number</i>	<i>Description</i>

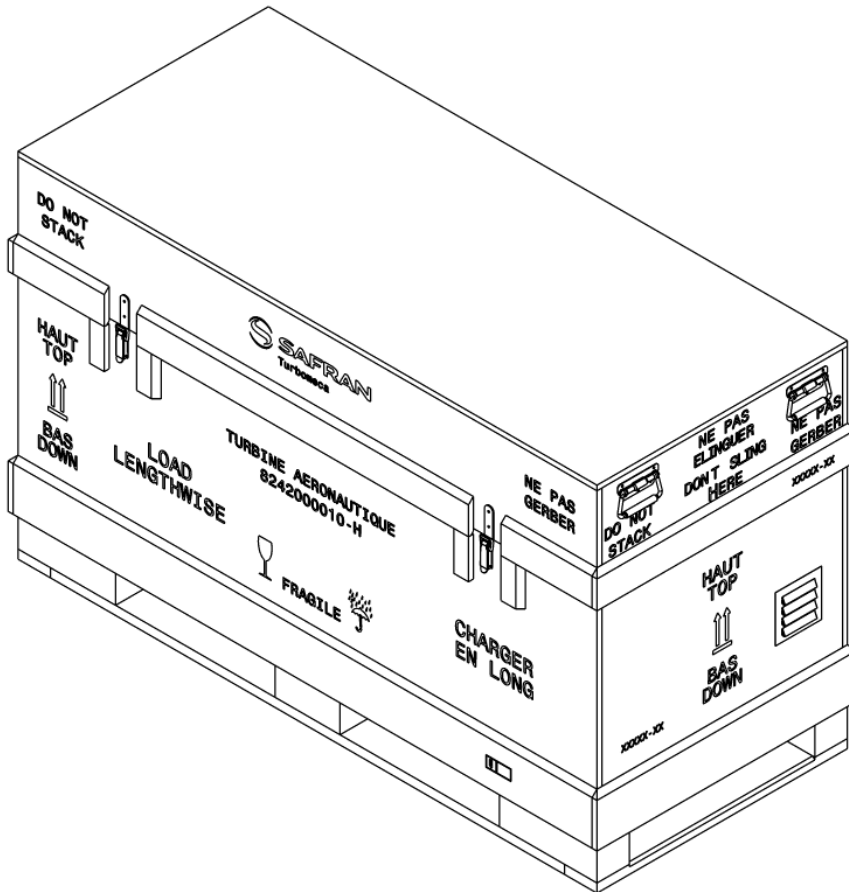
	TOOL			P/N	DESCRIPTION	QTY
	OT No.	Ind.	Ind.			
I	80 3280			TM4587G001	PLUG, THERMOCOUPLE	4

- ITEM NOT ILLUSTRATED

NP NON PROCURABLE

8242000010

Description: SHIPMENT CONTAINER



# SAFRAN HELICOPTER ENGINES

## ARRIUS 2 F

MAINTENANCE TOOLS CATALOG

<i>Description</i>	<i>Part Number</i>
SHIPMENT CONTAINER	8242000010

<i>This tool replaces the tool</i>
------------------------------------

<i>Supply code</i>	<i>Calibration frequency</i>	<i>Functional criteria check</i>
3 - 2	N/A	N/A

<i>Use</i>	
------------	--

<i>Use particularity</i>	
--------------------------	--

<i>Alternate</i>	<i>Part Number</i>	<i>Description</i>

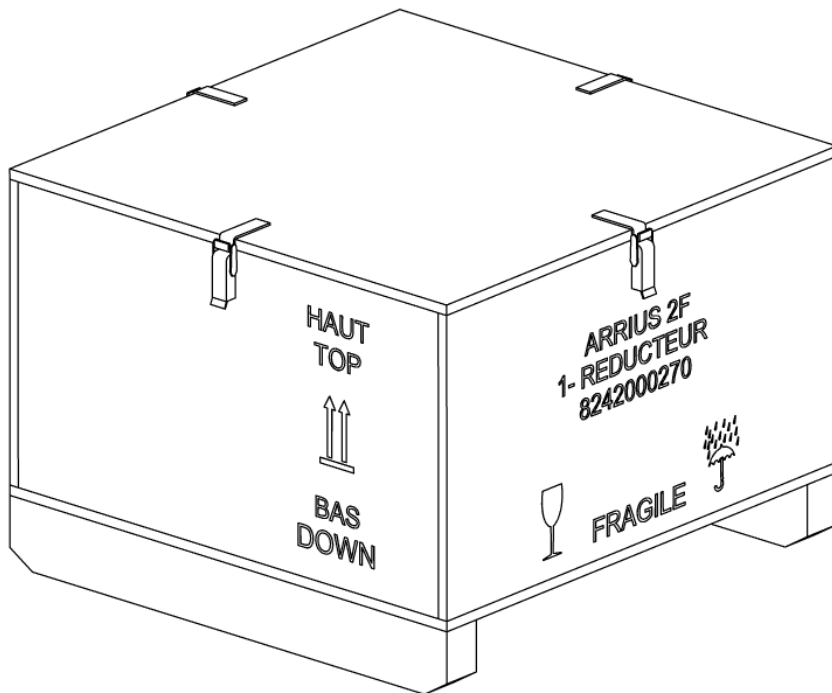
TOOL				P/N	DESCRIPTION	QTY
OT No.	Ind.	Ind.		1 2 3		
80 3370			8242000010	SHIPMENT CONTAINER		1

- ITEM NOT ILLUSTRATED

NP NON PROCURABLE

8242000270

Description: SHIPMENT CONTAINER MODULE 1



# SAFRAN HELICOPTER ENGINES

## ARRIUS 2 F

MAINTENANCE TOOLS CATALOG

<i>Description</i>	<i>Part Number</i>
SHIPMENT CONTAINER MODULE 1	8242000270

<i>This tool replaces the tool</i>
------------------------------------

<i>Supply code</i>	<i>Calibration frequency</i>	<i>Functional criteria check</i>
3 - 2	N/A	N/A

<i>Use</i>	
------------	--

<i>Use particularity</i>	
--------------------------	--

<i>Alternate</i>	<i>Part Number</i>	<i>Description</i>

	TOOL			P/N	DESCRIPTION	QTY
	OT No.	Ind.	Ind.			
I	80 3390			8242000270	SHIPMENT CONTAINER MODULE 1	1

- ITEM NOT ILLUSTRATED

NP NON PROCURABLE

9789161500	Description: PLUG
------------	-------------------

NON ILLUSTRATED TOOL



# TURBOMECA ARRIUS 2 F

<i>Description</i>	<i>Part Number</i>
<b>PLUG</b>	<b>9789161500</b>

<i>This tool replaces the tool</i>
------------------------------------

<i>Supply code</i>	<i>Calibration frequency</i>	<i>Functional criteria check</i>
3 - 2	N/A	N/A

<i>Use</i>	
------------	--

<i>Use particularity</i>	
--------------------------	--

<i>Alternate</i>	<i>Part Number</i>	<i>Description</i>

	TOOL			P/N	DESCRIPTION	QTY
	OT No.	Ind.	Ind.			
-	80 3440			9789161500	PLUG	1

- ITEM NOT ILLUSTRATED

NP NON PROCURABLE

# TURBOMECA ARRIUS 2 F

## MAINTENANCE TOOLS CATALOG

---

**9789400220**

*Description: PLUG*

NON ILLUSTRATED TOOL

# SAFRAN HELICOPTER ENGINES

## ARRIUS 2 F

MAINTENANCE TOOLS CATALOG

<i>Description</i>	<i>Part Number</i>
<b>PLUG</b>	<b>9789400220</b>

<i>This tool replaces the tool</i>
------------------------------------

<i>Supply code</i>	<i>Calibration frequency</i>	<i>Functional criteria check</i>
3 - 2	N/A	N/A

<i>Use</i>	
------------	--

<i>Use particularity</i>	
--------------------------	--

<i>Alternate</i>	<i>Part Number</i>	<i>Description</i>

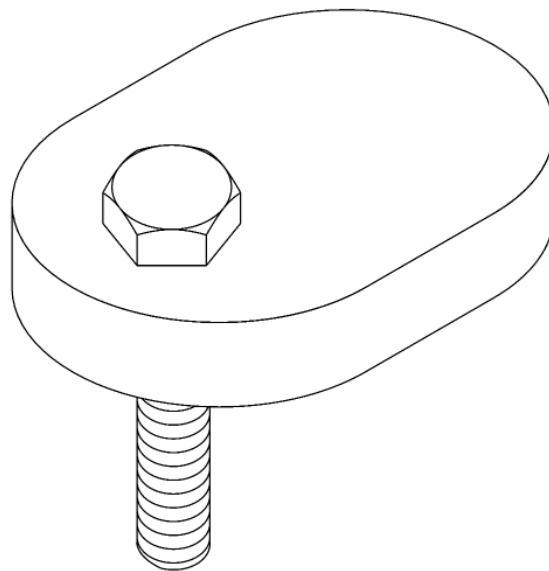
	TOOL			P/N	DESCRIPTION	QTY
	OT No.	Ind.	Ind.			
-	80 3450			9789400220	PLUG	1

- ITEM NOT ILLUSTRATED

NP NON PROCURABLE

TM0086G001

Description: PLUG



# SAFRAN HELICOPTER ENGINES

## ARRIUS 2 F

MAINTENANCE TOOLS CATALOG

<i>Description</i>	<i>Part Number</i>
<b>PLUG</b>	<b>TM0086G001</b>

<i>This tool replaces the tool</i>
------------------------------------

<i>Supply code</i>	<i>Calibration frequency</i>	<i>Functional criteria check</i>
3 - 2	N/A	N/A

<i>Use</i>	
------------	--

<i>Use particularity</i>	
--------------------------	--

<i>Alternate</i>	<i>Part Number</i>	<i>Description</i>

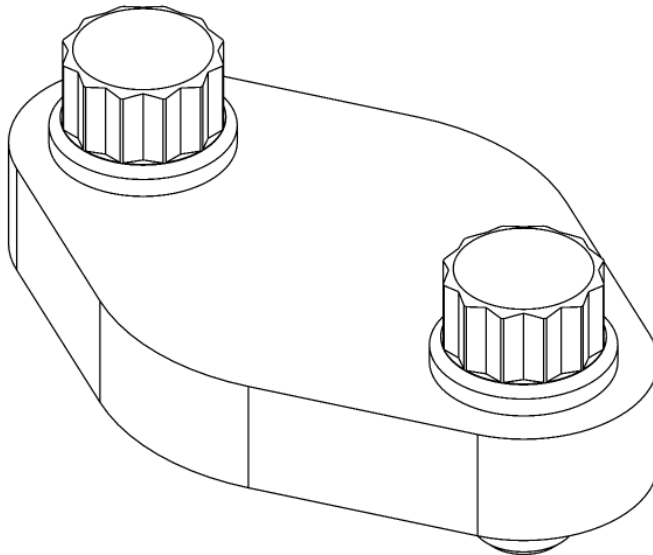
	TOOL			P/N	DESCRIPTION	QTY
	OT No.	Ind.	Ind.			
1	80 3460			TM0086G001	PLUG	1

- ITEM NOT ILLUSTRATED

NP NON PROCURABLE

TM4375G001

Description: PLUG



# SAFRAN HELICOPTER ENGINES

## ARRIUS 2 F

MAINTENANCE TOOLS CATALOG

<i>Description</i>	<i>Part Number</i>
<b>PLUG</b>	<b>TM4375G001</b>

<i>This tool replaces the tool</i>
------------------------------------

<i>Supply code</i>	<i>Calibration frequency</i>	<i>Functional criteria check</i>
3 - 2	N/A	N/A

<i>Use</i>	
------------	--

<i>Use particularity</i>	
--------------------------	--

<i>Alternate</i>	<i>Part Number</i>	<i>Description</i>

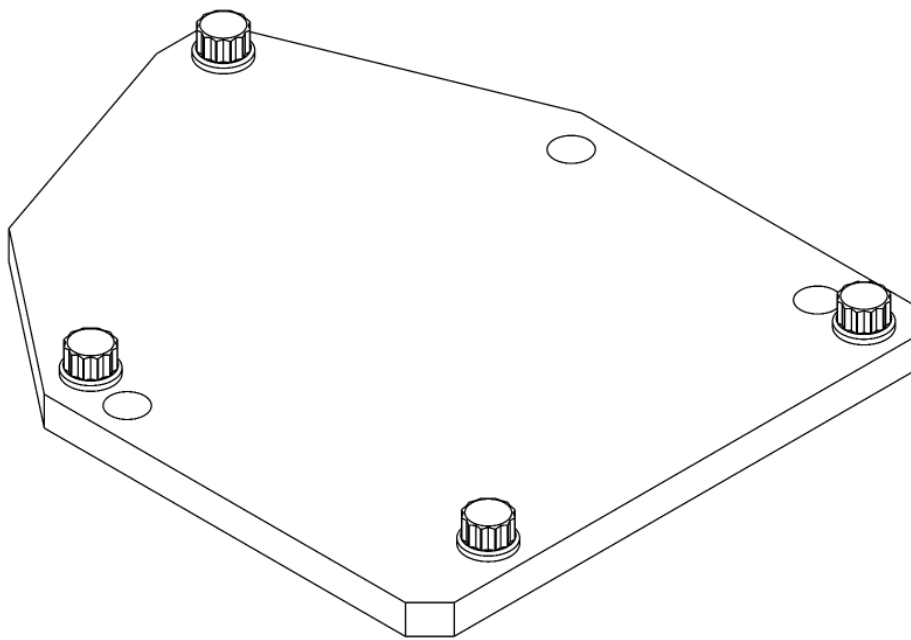
	TOOL			P/N	DESCRIPTION	QTY
	OT No.	Ind.	Ind.			
I	80 3480			TM4375G001	PLUG	1

- ITEM NOT ILLUSTRATED

NP NON PROCURABLE

TM4593G001

Description: PLUG





# SAFRAN HELICOPTER ENGINES

## ARRIUS 2 F

MAINTENANCE TOOLS CATALOG

<i>Description</i>	<i>Part Number</i>
<b>PLUG</b>	<b>TM4593G001</b>

<i>This tool replaces the tool</i>
------------------------------------

<i>Supply code</i>	<i>Calibration frequency</i>	<i>Functional criteria check</i>
3 - 2	N/A	N/A

<i>Use</i>	
------------	--

<i>Use particularity</i>	
--------------------------	--

<i>Alternate</i>	<i>Part Number</i>	<i>Description</i>

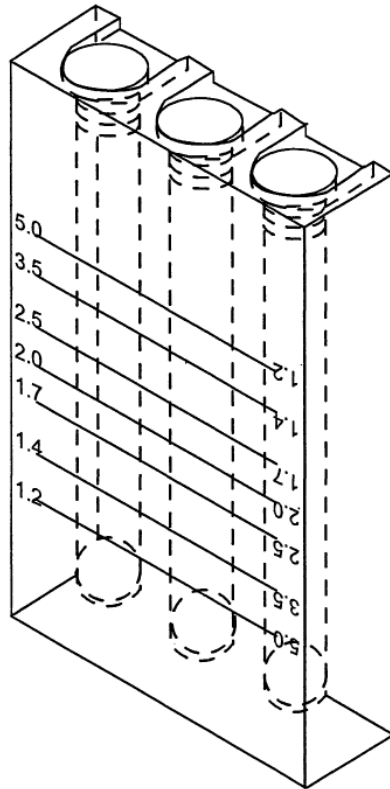
	TOOL			P/N	DESCRIPTION	QTY
	OT No.	Ind.	Ind.			
	80 3500			TM4593G001	PLUG	1

- ITEM NOT ILLUSTRATED

NP NON PROCURABLE

8819252000

Description: VISCOMETER



# TURBOMECA ARRIUS 2 F

## MAINTENANCE TOOLS CATALOG

<i>Description</i>	<i>Part Number</i>
VISCOMETER	8819252000

<i>This tool replaces the tool</i>
------------------------------------

<i>Supply code</i>	<i>Calibration frequency</i>	<i>Functional criteria check</i>
3 - 2	N/A	N/A

<i>Use</i>	
------------	--

<i>Use particularity</i>	
--------------------------	--

<i>Alternate</i>	<i>Part Number</i>	<i>Description</i>

TOOL				P/N	DESCRIPTION	QTY
OT No.	Ind.	Ind.		1 2 3		
90 0010			8819252000	VISCOMETER		1

- ITEM NOT ILLUSTRATED

NP NON PROCURABLE

