

HELICOPTER ENGINES

TURBOSHAFT

ARRIUS 2

F

**MAINTENANCE
TOOLS CATALOG**

No. X 319 L6 800 2

Original issue: Jan. 22/1997

Update No. 30: Oct. 15/2021



64511 BORDES CEDEX - FRANCE - Tel.: +33 (0)5 59 12 50 00

www.safran-helicopter-engines.com

LETTER

This covering letter is not part of the MAINTENANCE TOOLS CATALOG.
Do not keep it on the MAINTENANCE TOOLS CATALOG.

Bordes, Oct. 15/2021

Dear Sir / Madam,

The *ARRIUS 2 F MAINTENANCE TOOLS CATALOG No. X 319 L6 800 2* has been subject to normal update No. 30 on Oct. 15/2021.

A description of the update (description, pages to be removed or inserted) is provided below.

We remain at your disposal for any further information you may require. Very truly yours

Technical Publications

| Task Number | Description | Pages to be removed | Pages to be inserted |
|--|--------------------|----------------------------|-----------------------------|
| TITLE PAGE | Integration | ALL | 1 |
| LIST OF EFFECTIVE PRELIMINARY PAGES | Integration | ALL | 1 - 2 |
| LAP - 00 | Integration | ALL | 1 to 2 |
| 00-00-40 - LIST OF TOOLS BY SAFRAN HELICOPTER ENGINES PART NUMBERS | Integration | ALL | 1 to 8 |
| 00-00-41 - LIST OF TOOLS BY OT NUMBER | Integration | ALL | 1 to 8 |
| 00-00-42 - LIST OF TOOLS BY TOOL NAME | Integration | ALL | 1 to 4 |
| 00-00-43 - LIST OF TOOLS BY APPLICATION | Integration | ALL | 1 to 4 |
| 00-00-44 - LIST OF CALIBRATION / INSPECTION REQUIREMENT BY OT NUMBER | Integration | ALL | 1 to 2 |
| 00-00-45 - LIST OF SAFRAN HELICOPTER ENGINES PART NUMBER RELATIONSHIPS | Integration | ALL | 1 to 4 |
| LAP - OT | Integration | ALL | 1 to 8 |
| OT 40 0020 | Integration | ALL | 0 to 1 |
| OT 40 0100 | Integration | ALL | 0 to 1 |
| OT 40 0110 | Integration | ALL | 0 to 1 |

| Task Number | Description | Pages to be removed | Pages to be inserted |
|--------------------|--------------------|----------------------------|-----------------------------|
| OT 40 0140 | Integration | ALL | 0 to 1 |
| OT 40 0410 | Integration | ALL | 0 to 1 |
| OT 40 0460 | Integration | ALL | 0 to 1 |
| OT 40 0600 | Integration | ALL | 0 to 1 |
| OT 80 0150 | Integration | ALL | 0 to 1 |

PAGE LEFT BLANK INTENTIONALLY

ARRIUS 2



RIGHTS OF USE

The information and data contained in this document, of whatsoever nature, notably intellectual, technical and in particular information that is or can be protected by Intellectual Property rights (such as given in the Intellectual Property Code), including particularly include the information related to know-how, manufacturing secrets, technical information, diagrams and drawings, are the sole property of Safran Helicopter Engines.

The information and data of this document are made available to the user with the sole purpose of allowing engine maintenance (maintenance and repair). The user undertakes not to use, copy, reproduce, duplicate, modify or disclose all or part of the information and data contained in this document for any purpose other than this one without the prior consent of Safran Helicopter Engines.

TOOLS

The tools given in this catalog can be used according to the different authorizations granted to the participants: scheduled and unscheduled maintenance (maintenance manual), application of modification (technical instruction), maintenance (maintenance technical instruction).

PAGE LEFT BLANK INTENTIONALLY

LIST OF EFFECTIVE PRELIMINARY PAGES

| <u>Title</u> | <u>Pages</u> | <u>Date</u> |
|-------------------------------------|--------------|--------------|
| TITLE PAGE | * 1 | Oct. 15/2021 |
| INFORMATION PAGE | 1 - 2 | Apr. 15/2019 |
| LIST OF EFFECTIVE PRELIMINARY PAGES | * 1 - 2 | Oct. 15/2021 |
| NORMAL UPDATE INCORPORATION SHEET | 1 - 2 | Aug. 30/2011 |

* Page modified following update No. 30

PAGE LEFT BLANK INTENTIONALLY

PAGE LEFT BLANK INTENTIONALLY

CHAPTER 00 - LIST OF EFFECTIVE PAGES

| <u>Chapter Section Subject</u> | <u>Title</u> | <u>Pages</u> | <u>Date</u> |
|--|---|--------------|--------------|
| 00 | LIST OF EFFECTIVE PAGES | * 1 - 2 | Oct. 15/2021 |
| 00 | TABLE OF CONTENTS | 1 - 2 | Aug. 30/2011 |
| 00-00-00 | INTRODUCTION | 1 - 2 | Oct. 30/2018 |
| 00-00-11 | CATALOG USER GUIDE | 1 - 6 | Apr. 15/2019 |
| 00-00-13 | LIST OF ADDITIONAL DOCUMENTATION | 1 - 2 | Aug. 30/2011 |
| 00-00-40 | LIST OF TOOLS BY SAFRAN HELICOPTER ENGINES PART NUMBERS | * 1 - 8 | Oct. 15/2021 |
| 00-00-41 | LIST OF TOOLS BY OT NUMBER | * 1 - 8 | Oct. 15/2021 |
| 00-00-42 | LIST OF TOOLS BY TOOL NAME | * 1 - 4 | Oct. 15/2021 |
| 00-00-43 | LIST OF TOOLS BY APPLICATION | * 1 - 4 | Oct. 15/2021 |
| 00-00-44 | LIST OF CALIBRATION / INSPECTION REQUIREMENT BY OT NUMBER | * 1 - 2 | Oct. 15/2021 |
| 00-00-45 | LIST OF SAFRAN HELICOPTER ENGINES PART NUMBER RELATIONSHIPS | * 1 - 4 | Oct. 15/2021 |

* Page modified following update No. 30

PAGE LEFT BLANK INTENTIONALLY

CHAPTER 00 - TABLE OF CONTENTS

| <u>Subject</u> | <u>Chapter Section Subject</u> | <u>Page</u> |
|---|--|-------------|
| INTRODUCTION | 00-00-00 | 1 |
| CATALOG USER GUIDE | 00-00-11 | 1 |
| LIST OF ADDITIONAL DOCUMENTATION | 00-00-13 | 1 |
| LIST OF TOOLS BY TURBOMECA PART NUMBERS | 00-00-40 | 1 |
| LIST OF TOOLS BY OT NUMBER | 00-00-41 | 1 |
| LIST OF TOOLS BY TOOL NAME | 00-00-42 | 1 |
| LIST OF TOOLS BY APPLICATION | 00-00-43 | 1 |
| LIST OF CALIBRATION / INSPECTION REQUIREMENT BY OT NUMBER | 00-00-44 | 1 |
| LIST OF TURBOMECA PART NUMBER RELATIONSHIPS | 00-00-45 | 1 |

PAGE LEFT BLANK INTENTIONALLY

ARRIUS 2

INTRODUCTION

CAUTION: THE INFORMATION IN THIS MANUAL IS SAFRAN HELICOPTER ENGINES PROPERTY. IT SHALL NOT BE COMMUNICATED TO A THIRD PARTY, NOR SHALL IT BE USED FOR ANY OTHER PURPOSES WITHOUT SAFRAN HELICOPTER ENGINES PRIOR WRITTEN AUTHORIZATION.

1. GENERAL

This document complements the Maintenance Manual.

The writing of this document obeys the directives of "ATA Specification No. 100" Revision No. 35.

The purpose of this document is to identify the tools required for maintenance levels 1 and 2.

2. UPDATE OF TOOLS CATALOG

The tools catalog is updated by normal updates.

Normal updates are distributed periodically and are printed on white paper.

A normal update incorporation sheet allows for better follow-up of these updates.

In the paper version or in PDF version, text and illustrations which have been modified are indicated by a line drawn in the left-hand margin.

In the electronic version (IETP), the text which has been modified appears on a blue-grey background. The illustrations which have been modified are indicated by a letter R that appears in front of the illustration title (left low part of the consultation screen).

3. ORIGINAL ISSUE: ISSUE DATES OF TOOLS

As the documentary fund of the Original Issue of a Catalog partially results from an existing documentary fund, the issue dates of some tools can be prior to the Original Issue date of this Catalog.

PAGE LEFT BLANK INTENTIONALLY

ARRIUS 2**CATALOG USER GUIDE****1. USE OF THE TOOLS CATALOG**

The tools catalog allows a tool to be identified in several ways.

A. By the tool part number

Refer to the list of tools by Safran Helicopter Engines part number (chapter 00-00-40) which specifies:

- the description of tool,
- the OT number,
- the NATO code number and the manufacturer reference when the article is not manufactured by Safran Helicopter Engines,
- the NATO part number,
- the quantity.

B. By the tool number (OT No.)

Refer to the list of tools by OT No. (chapter 00-00-41) which specifies:

- the description of tool,
- the Safran Helicopter Engines part number,
- the NATO code number and the manufacturer reference when the article is not manufactured by Safran Helicopter Engines,
- the NATO part number,
- the quantity.

C. By description of tool

Refer to the list of tools by description (chapter 00-00-42) which specifies:

- the OT number,
- the Safran Helicopter Engines part number,
- the NATO code number and the manufacturer reference when the article is not manufactured by Safran Helicopter Engines,
- the quantity,
- the application.

D. By application

Refer to the list of tools by application (chapter 00-00-43) which specifies:

- the OT number,
- the description,
- the Safran Helicopter Engines part number.

E. By visualizing the tool without knowing its part number

According to the shape of the tool, refer to the illustrated figures which cross-refer to the corresponding parts list.

2. CALIBRATION / INSPECTION REQUIREMENT

The tools catalog allows to identify if a tools is subject to a calibration/inspection requirement.

Refer to the list of tools by calibration/inspection requirement by OT No. (chapter 00-00-44) which specifies:

- the description,
- the periodicity value and who is in charge of the calibration/inspection,

NOTE: *The indicated periodicity values are recommended values by Safran Helicopter Engines and must be fit to the local quality normes.*

- the functional criteria check necessity.

3. PART NUMBER RELATIONSHIPS

The tools catalog allows to identify the part number alternates and part number evolutions.

Refer to the list of part number relationships by Safran Helicopter Engines part number (chapter 00-00-45) which specifies:

- the superseding part number,
- the alternate part number,
- the superseded part number.

4. PARTS LIST

Each tool is described by an OT number, a figure and a section of text.

The OT number is inscribed to bottom right.

The figures are always printed on the reverse side of the sheets and the corresponding parts list in front of the following sheet.

A. OT number

The tools are identified in the following way : **OT XX NNNN**

OT indicates that it is a tool.

XX corresponds to the application code in which this tool is used.
(Refer to table 1).
Nevertheless, a tool can be used by different applications.

NNNN corresponds to the tool identification number.
Numbers start at 0010 and go up to 9990 in tens to
make it possible to insert additional tools at a later
date.

Table 1 : Application codes

| CODE | APPLICATION |
|------|--|
| 20 | Cleaning |
| 30 | Inspection/Check |
| 40 | Test |
| 50 | Assembly Installation |
| 60 | Disassembly/Assembly Removal/Installation |

ARRIUS 2

| CODE | APPLICATION |
|------|------------------------|
| 70 | Disassembly Removal |
| 80 | Storage/Handling |
| 90 | Other |

B. Figure

The figure illustrates the tool and its components which are liable to be ordered.

C. Text

Refer to Figure 1

The section of text is made up of two parts:

(1) Description and use of the tool described

The different information about the description and the use of the tool described are in the following order:

- (a) the description of tool,
- (b) the Safran Helicopter Engines part number of tool,
- (c) the Safran Helicopter Engines part number of tool superseded by this OT number,
- (d) the supply code,

It specifies the possibility by the customer to manufacture a tool required and the customer's own responsibility .

| Code | 1 - 1 | 1 - 2 | 2 - 1 | 2 - 2 | 3 - 1 | 3 - 2 |
|-----------------------------|-------|-------|-------------------------|-------------------------|-------------------------|-------------------------|
| Manufacturing by | SHEF | SHEF | Customer/ Subsidiary | Customer/ Subsidiary | Customer/ Subsidiary | Customer/ Subsidiary |
| Validation by | SHEF | SHEF | SHEF | SHEF | Customer/ Subsidiary | Customer/ Subsidiary |
| Periodic ac- counting by | SHEF | | Customer/ Subsidiary | | Customer/ Subsidiary | |

* SHEF: Safran Helicopter Engines France

- (e) Calibration periodicity in number of months,

NOTE: *The indicated periodicity values are recommended values by Safran Helicopter Engines and must be fit to the local quality normes.*

- (f) the functional criteria check,
- (g) the use of the tool,
- (h) the use particularities of the tool,
- (i) the Safran Helicopter Engines part number and description of the alternate tool.

(2) Tool parts list

The different information of the tool parts list are in the following order:

- (a) Tool

In this column is indicated the OT number.

When a tool is made up of different assemblies, an index letter from A to Z is allocated to each assembly.

When an assembly is made up of sub-assemblies, an index number from 1 to 9 is allocated to each sub-assembly.

NOTE: Assemblies and sub-assemblies which are not illustrated are preceded by a dash (-) in the first column of the tool number.

(b) Part number

In this column is indicated the Safran Helicopter Engines part number.

(c) Description

This column gives the description of each article and shows the relationship between the different elements.

The description of the components making up an assembly are indented one tab to the right in relation to the position of the name of the assembly concerned.

(d) Quantity

This column indicates the quantity of parts required per assembly.

If an element of a tool cannot be ordered individually, "NP" ("Non Procurable") is indicated in the Quantity column.

(e) Rental (REN.)

All tools which are liable to be rented are identified with an "X" in this column.

For any information concerning rental conditions, contact:

Safran Helicopter Engines
Direction commerciale
Département Ventes et Support
Service Support Client

| | | | | |
|---|--|--|----------------------------------|--|
| Description and use of the tool described | Description | | Part number | |
| | REMOVAL/INSTALLATION TOOL | | 8810825000 | |
| | <i>This tool supersedes the tool</i> | | 8810815000 | |
| | Supply code | Calibration periodicity | Functional criteria check | |
| | 3 - 1 | 12 | Not applicable | |
| | Use | Used to install the outer ring of module M02 front bearing | | |
| Use particularities | To be used with tool P/N 8818719000 (OT 80 0020) | | | |
| Alternate | Part number | | Description | |
| | 8810845000 | | REMOVAL/INSTALLATION TOOL | |

| TOOL | PART NUMBER | DESCRIPTION | Qty | Ren. |
|-----------|-------------|-----------------------------|-----|------|
| | | | | |
| 60 0010 | 8810825000 | REMOVAL/INSTALLATION TOOL | 1 | |
| 60 0010 | 8810825100 | . INSTALLATION ASSY. | 1 | |
| 60 0010 | 8810825101 | . . INSTALLATION SUB-ASSY 1 | 1 | |
| 60 0010 | 8810825102 | . . INSTALLATION SUB-ASSY 2 | 2 | |
| - 60 0010 | 8810825103 | . . INSTALLATION SUB-ASSY 3 | NP | |
| 60 0010 | 8810825200 | . REMOVAL ASSY. | 1 | |
| 60 0010 | 8810825201 | . . REMOVAL SUB-ASSY 1 | 1 | |
| - 60 0010 | 8810825202 | . . REMOVAL SUB-ASSY 2 | NP | |

Tool parts list

Figure 1

5. ABBREVIATIONS AND ACRONYMS USED

| | |
|------|--|
| ASSY | Assembly |
| HP | High pressure |
| Ind | Index |
| LP | Low pressure |
| Mfr. | Manufacturer |
| mm | Millimeters |
| NP | Non procurable |
| P/N | Part number |
| REN. | Rental |
| TU | Safran Helicopter Engines modification |

LIST OF ADDITIONAL DOCUMENTATION

MAINTENANCE TOOLS CATALOG No. X 319 L6 800 2 is one document dealing with ARRIUS 2 F . The additional documents required for engine maintenance implementation are as follows:

| <i>Description</i> | <i>References of manuals</i> |
|---------------------------|------------------------------|
| Maintenance Manual | X 319 L6 301 2 |
| Spare Parts Catalogue | X 319 L6 700 2 |
| List of Modifications | |
| List of Service Bulletins | |
| List of Service Letters | |
| | |

PAGE LEFT BLANK INTENTIONALLY

LIST OF TOOLS BY SAFRAN HELICOPTER ENGINES PART NUMBERS

| SAFRAN HELICOPTER ENGINES P/N | Description | OT No. | Mfr. NATO Code | Manufacturer PIN | NATO P/N | Qty |
|-------------------------------------|--|-----------|----------------------|------------------|---------------|-----|
| 1616040107 | SCREW CHC M4x10 B&K YS-8407 | 40 0460B3 | F0228 | | | 3 |
| 1616050088 | SCREW | 60 0260B | F0228 | | | 1 |
| 1780550125 | SET OF SHIMS | 30 0280 | F0228 | | 5365145783260 | 1 |
| 8000263900 | PLUG | 50 3480 | F0228 | | | 1 |
| 8230896300 | HANDLING BOX | 60 0320 | F0228 | | 8145144749133 | 1 |
| 8242000000 | SHIPMENT CONTAINER | 80 0230 | F0228 | | | 1 |
| 8242000010 | SHIPMENT CONTAINER | 80 3370 | F0228 | | | 1 |
| 8242000270 | SHIPMENT CONTAINER MODULE 1 | 80 3390 | F0228 | | | 1 |
| 8242001000 | SHIPMENT BOX | 80 3140 | F0228 | | | 1 |
| 8810131088 | SET OF 5 MM- THREADED ROD EXTRACTORS | 60 0070 | F0228 | | 5120142943519 | 1 |
| 8810600006 | PIN | 80 0080A | F0228 | | | 3 |
| 8813379000 | REMOVAL / INSTALLATION TOOL | 60 0490 | F0228 | | 5120144095115 | 1 |
| 8813379001 | SEALOL RING | 60 0490A | F0228 | | | 1 |
| 8813379002 | SEALOL INSTALLATION | 60 0490B | F0228 | | | 1 |
| 8813379004 | SEALOL EXTRACTOR | 60 0490C | F0228 | | | 1 |
| 8813753000 | PLUG | 50 3490 | F0228 | | 5340145245840 | 1 |
| 8814482000 | EXTRACTION MANDREL | 70 0010 | F0228 | | 5120144103468 | 1 |
| 8814482001 | PLUNGER | 70 0010A | F0228 | | | 1 |
| 8814482002 | STAND | 70 0010B | F0228 | | | 1 |
| 8814507000 | HANDLE, SETTING INTO ROTATION | 30 0130 | F0228 | | 5340144217308 | 1 |
| 8815099420 | ADAPTER | 40 0360C | F0228 | | | 1 |
| 8815099808 | LABEL | 40 0130B | F0228 | | | 1 |
| 8815099808 | LABEL | 40 0140C | F0228 | | | 1 |
| 8816228000 | PROTECTOR | 50 3080 | F0228 | | 5340144493034 | 1 |
| 8816228000 | PLUG, STARTER | 80 0020M | F0228 | | | 1 |
| 8816389000 | PLUG | 80 0020A | F0228 | | | 1 |
| 8816389000 | PLUG | 80 3030B9 | F0228 | | | 2 |
| 8816389000 | PLUG | 80 3160 | F0228 | | | 2 |
| 8816445000 | CONTROL BOX | 40 0700 | F0228 | | 4920144416124 | 1 |
| 8816446000 | PLUG, EXHAUST PIPE | 50 3340 | F0228 | | 5340144357748 | 1 |
| 8816492000 | HARNESS | 40 0260 | F0228 | | 6150144528349 | 1 |
| 8816520000 | DRAINING DEVICE | 80 0130 | F0228 | | | 1 |
| 8816694000 | VIBRATION MEASURING KIT B&K 2513 | 40 0100 | F0228 | | 4920144308998 | 1 |
| 8816694101 | VIBROMETER TYPE B&K 2513, MODIFICATION BKF0058 | 40 0100B | F0228 | | | 1 |
| 8816694103 | ACCELEROMETER CABLE B&K WL0748 | 40 0100F | F0228 | | | 1 |
| 8816694107 | PROTECTION BAG | 40 0100A | F0228 | | | 1 |
| 8816758000 | RETAINING RING INSTALLATION TOOL | 60 0370 | F0228 | | 5120144451885 | 1 |
| 8816854000 | PLUG | 60 0290 | F0228 | | 4920145759304 | 1 |
| 8817102000 | PLUG | 50 3220 | F0228 | | 5340145244396 | 2 |
| 8817367000 | HARNESS | 40 0180 | F0228 | | 6150144803080 | 1 |

SAFRAN HELICOPTER ENGINES

ARRIUS 2 F

MAINTENANCE TOOLS CATALOG

| SAFRAN HELICOPTER ENGINES P/N | Description | OT No. | Mfr. NATO Code | Manufacturer PIN | NATO P/N | Qty |
|-------------------------------|--|-----------|----------------|------------------|---------------|-----|
| 8817506000 | PLUG | 60 3140 | F0228 | | 1730144407781 | 1 |
| 8818174000 | DRAINING DEVICE | 80 0190 | F0228 | | | 1 |
| 8818314000 | H.E. IGNITION UNIT | 80 0080C | F0228 | | | 1 |
| 8818329200 | FLEXIBLE FIBERSCOPE DIA. 5 | 30 0150 | F0228 | | 6650145783123 | 1 |
| 8818339000 | ADAPTATION UNION | 40 0270 | F0228 | | 4730145207015 | 1 |
| 8818340000 | ADAPTATION UNION | 40 0290 | F0228 | | 4730145207016 | 1 |
| 8818341000 | HARNESS | 40 0220 | F0228 | | 6150145207017 | 1 |
| 8818357000 | HARNESS | 40 0570 | F0228 | | | 1 |
| 8818368000 | HOISTING SLING | 80 0070 | F0228 | | 3940145207018 | 1 |
| 8818368001 | HOISTING BEAM | 80 0070E | F0228 | | | 1 |
| 8818368002 | RING | 80 0070D | F0228 | | | 1 |
| 8818368004 | LINK | 80 0070B | F0228 | | | 3 |
| 8818368005 | SLING | 80 0070C | F0228 | | | 3 |
| 8818368006 | SNAP HOOK HOLDER | 80 0070A | F0228 | | | 3 |
| 8818379000 | PT WHEEL REMOVAL/ INSTALLATION TOOL | 60 0330 | F0228 | | 5180145783104 | 1 |
| 8818381000 | ASSEMBLY SUPPORT | 60 0240 | F0228 | | 4920145308535 | 1 |
| 8818381001 | CENTERING TOOL | 60 0240A | F0228 | | | 1 |
| 8818381002 | BASE PLATE | 60 0240B | F0228 | | | 1 |
| 8818381003 | TIE ROD | 60 0240C | F0228 | | | 1 |
| 8818628200 | REAR CASING SUPPORT | 60 0160 | F0228 | | 4920145207019 | 1 |
| 8818628202 | SUPPORT | 60 0160A | F0228 | | | 1 |
| 8818641000 | PLUG | 80 0060 | F0228 | | 5340145308537 | 1 |
| 8818644000 | PLUG | 80 0020K | F0228 | | | 1 |
| 8818656000 | PLUG | 50 3160 | F0228 | | | 1 |
| 8818656000 | SHIPPING PROTECTOR | 80 3030B2 | F0228 | | | 1 |
| 8818657000 | AIR INTAKE PLUG | 60 0230 | F0228 | | 5340145207020 | 1 |
| 8818658000 | PLUG | 60 3060 | F0228 | | | 1 |
| 8818658000 | PLUG, EXHAUST CONE | 80 3030B4 | F0228 | | | 1 |
| 8818684000 | BORESCOPE GUIDE | 30 0140 | F0228 | | 5365145550295 | 1 |
| 8818932000 | ADAPTATION UNION | 40 0250 | F0228 | | 4730144860479 | 1 |
| 8819212000 | BARE METALLIC CONTAINER | 80 0180 | F0228 | | 8145145282956 | 1 |
| 8819212020 | PACKING, PREFORMED | 80 0180A | F0228 | | | 1 |
| 8819252000 | VISCOMETER | 90 0010 | F0228 | | 6630144765020 | 1 |
| 8819317000 | PIVOTING ADAPTATION | 60 0140 | F0228 | | 4920145207022 | 1 |
| 8819317001 | LEFT STRUT | 60 0140A | F0228 | | | 1 |
| 8819317002 | RIGHT STRUT | 60 0140B | F0228 | | | 1 |
| 8819317003 | PIVOT | 60 0140C | F0228 | | | 2 |
| 8819317004 | NUT | 60 0140D | F0228 | | | 4 |
| 8819317006 | PLATE | 60 0140E | F0228 | | | 2 |
| 8819323000 | HOISTING FORK FITTING ASSEMBLY | 60 0120 | F0228 | | 3940145207023 | 1 |
| 8819324000 | PIVOTING ADAPTATION | 60 0130 | F0228 | | 4920145207024 | 1 |
| 8819324001 | L.H. PLATE | 60 0130A | F0228 | | | 1 |
| 8819324002 | R.H. PLATE | 60 0130B | F0228 | | | 1 |
| 8819324003 | L.H. FLANGE | 60 0130C | F0228 | | | 1 |
| 8819324004 | R.H. FLANGE | 60 0130D | F0228 | | | 1 |
| 8819324005 | L.H. REMOVABLE PIVOT | 60 0130E | F0228 | | | 1 |
| 8819324006 | R.H. REMOVABLE PIVOT | 60 0130F | F0228 | | | 1 |
| 8819324007 | SCREW | 60 0140F | F0228 | | | 2 |
| 8819326000 | POWER TURBINE WHEEL REMOVAL/ INSTALLATION TOOL | 60 0340 | F0228 | | 5180145783100 | 1 |
| 8819326100 | IMMOBILIZER | 60 0340A | F0228 | | | NP |

List by P/N

Page 2

Oct. 15/2021

SAFRAN HELICOPTER ENGINES

ARRIUS 2 F

MAINTENANCE TOOLS CATALOG

| SAFRAN HELICOPTER ENGINES P/N | Description | OT No. | Mfr. NATO Code | Manufacturer PIN | NATO P/N | Qty |
|-------------------------------|--|-----------|----------------|------------------|---------------|-----|
| 8819326101 | FIXTURE | 60 0340A2 | F0228 | | | NP |
| 8819326105 | 12-FLAT WRENCH | 60 0340A1 | F0228 | | | 1 |
| 8819326111 | PROTECTOR | 60 0340A4 | F0228 | | | NP |
| 8819326112 | WRENCH | 60 0340A3 | F0228 | | | 1 |
| 8819326200 | COMPARATOR SUPPORT | 60 0340B | F0228 | | | NP |
| 8819326300 | EQUIPPED | 60 0340C | F0228 | | | NP |
| 8819331000 | COMPARATOR ENGINE MOUNT ASSEMBLY | 80 0080 | F0228 | | 4920145207025 | 1 |
| 8819331001 | HOISTING BEAM | 80 0080D | F0228 | | | 1 |
| 8819331002 | REAR FLANGE | 80 0080B | F0228 | | | 1 |
| 8819334000 | WRENCH | 60 0150 | F0228 | | 5120145207026 | 1 |
| 8819349000 | REMOVAL / INSTALLATION TOOL, VARILIP SEALS | 60 0310 | F0228 | | 5120145207027 | 1 |
| 8819349001 | PLUNGER | 60 0310A | F0228 | | | 1 |
| 8819349002 | SUPPORT | 60 0310B | F0228 | | | 1 |
| 8819349003 | SUPPORT | 60 0310C | F0228 | | | 1 |
| 8819367000 | CONTAINER, BARE REDUCTION GEAR | 80 0020 | F0228 | | 8145145308538 | 1 |
| 8819369000 | GUIDE OF BORESCOPE HOSE | 30 0120 | F0228 | | 6650145207028 | 1 |
| 8819370000 | PLUG | 80 0020F | F0228 | | | 1 |
| 8819372000 | PLUG | 80 0020E | F0228 | | | 2 |
| 8819373000 | PLUG | 80 0020D | F0228 | | | 1 |
| 8819375000 | WRENCH AND RETAINER | 60 0300 | F0228 | | 5120145207029 | 1 |
| 8819375001 | RETAINER | 60 0300C | F0228 | | | 1 |
| 8819375002 | WRENCH | 60 0300A | F0228 | | | 1 |
| 8819375003 | DOWEL | 60 0300B | F0228 | | | 3 |
| 8819384000 | RETAINER | 60 0170 | F0228 | | 5365145308536 | 1 |
| 8819391000 | HARNESS | 40 0240 | F0228 | | 6150145207030 | 1 |
| 8819393000 | HARNESS | 40 0280 | F0228 | | 6150145207031 | 1 |
| 8819394000 | HARNESS | 40 0300 | F0228 | | 6150145207032 | 1 |
| 8819454000 | HANDLING MATCHING | 80 0120 | F0228 | | | 1 |
| 8819459000 | SET OF SELF-TEST CONNECTORS | 40 0170 | F0228 | | 5935145207034 | 1 |
| 8819505000 | FLOW LIMITER ASSEMBLY | 20 0020 | F0228 | | 4920144822473 | 1 |
| 8819505005 | VALVE, FINE TRIMMING | 20 0020C | F0228 | | | 1 |
| 8819645000 | PLUG | 80 0020N | F0228 | | | 1 |
| 8819805000 | WOOD CONTAINER, SHUTTLE | 80 0090 | F0228 | | 8145145575702 | 1 |
| 8819823000 | CONTAINER, REDUCTION GEARBOX | 80 0100 | F0228 | | 8145145278791 | 1 |
| 8819823200 | PLUGS KIT | 80 0100A | F0228 | | | 1 |
| 8819828000 | PLUG | 80 0020B | F0228 | | | 1 |
| 8819830000 | PLUG | 50 3260 | F0228 | | | 1 |
| 8819832000 | PROTECTOR NUT | 60 3320 | F0228 | | | 4 |
| 8819840000 | HARNESS | 40 0200 | F0228 | | 6150145207035 | 1 |
| 8819841000 | ADAPTATION UNION | 40 0190 | F0228 | | 4730145207036 | 1 |
| 8819842000 | ADAPTATION UNION | 40 0230 | F0228 | | 4730145207037 | 1 |
| 8819843000 | ADAPTATION UNION | 40 0210 | F0228 | | 4730145207038 | 1 |
| 8819849000 | INSTALLATION TOOL | 50 0020 | F0228 | | | 1 |
| 9542110520 | BATTERY R6 1,5V | 40 0100C | F0228 | | | 1 |
| 9560111050 | PLUG | 50 3400 | F6069 | GPN610U3RGE | | 1 |
| 9560142800 | COPPER SEAL | 60 0200G | F0228 | | | 1 |

SAFRAN HELICOPTER ENGINES

ARRIUS 2 F

MAINTENANCE TOOLS CATALOG

| SAFRAN HELICOPTER ENGINES P/N | Description | OT No. | Mfr. NATO Code | Manufacturer PIN | NATO P/N | Qty |
|-------------------------------|---|-----------|----------------|------------------|---------------|-----|
| 9560152620 | SCREW | 80 0060A | F0228 | | | 6 |
| 9560153370 | ADAPTOR | 20 0010I | F0228 | | | 1 |
| 9560153370 | UNION WITH FEMALE ENDS | 20 0020B | F0228 | | | 1 |
| 9560153380 | UNION WITH MALE ENDS | 20 0020A | F0228 | | | 1 |
| 9561490100 | PLUG | 40 0370A | F0228 | | | 2 |
| 9561490180 | PLUG | 50 3050 | F0228 | | 5340121633850 | 1 |
| 9561490180 | PLUG | 80 0020O | F0228 | | | 1 |
| 9610010940 | SPINDLE | 60 0120A | F0228 | | | 2 |
| 9610017670 | CASE | 40 0140B2 | F0228 | | | 1 |
| 9610017700 | ACCELEROMETER B&K 8324 | 40 0410 | F0228 | 8324I | 6680223086122 | 1 |
| 9610017700 | HIGH TEMPERATURE ACCELEROMETER B&K 8324 | 40 0460B2 | F0228 | | | 1 |
| 9610019070 | STRIPBOARD CUTTER | 60 0250 | F0228 | | 5110997195219 | 1 |
| 9610020490 | ACCELEROMETER ENDEVCO 6222S-20A | 40 0140B1 | F0228 | | | 1 |
| 9610046360 | ACCELEROMETER ENDEVCO 6233C-10 | 40 0110 | F0228 | | 6680014807196 | 1 |
| 9610053100 | VALVE | 80 0180A2 | F0228 | | | 1 |
| 9610053120 | PRESSURE RELIEF VALVE ¼ G | 80 0180A1 | F0228 | | | 1 |
| 9610053130 | HUMIDITY INDICATOR | 80 0180A3 | F0228 | | | 1 |
| 9610059020 | BUTT OF CONNECTION | 60 0200F | F0228 | | | 1 |
| 9610064500 | AIRCRAFT POWER SUPPLY CABLE (SMA2.03.10) | 40 0120 | F0228 | | 6150145260114 | 1 |
| 9610064560 | ACCELEROMETER CABLE (SMA.03.01.02) | 40 0130C4 | F0228 | | | 1 |
| 9610064590 | PORTABLE TEST KIT (S00-123) | 40 0130C1 | F0228 | | | 1 |
| 9610064600 | LAPTOP (PC/S00-2000.A) | 40 0130A | F0228 | | | 1 |
| 9610064970 | SYNTESTER | 40 0600 | F0228 | | | 1 |
| 9610068730 | TACHOMETER CABLE SAS22-03-06 | 40 0140A1 | F0228 | | | 1 |
| 9610068790 | BATTERY CHARGER (SMA2-04-01) | 40 0130C5 | F0228 | | | 1 |
| 9610068900 | AIRCRAFT POWER SUPPLY CABLE (SMA2.03.10.2B) | 40 0020 | F0228 | | 6145145575331 | 1 |
| 9610080670 | PLUG TO BE SCREWED | 40 0380B | F0228 | | | 1 |
| 9610084310 | BS 2000 SOFTWARE (T.PVA.S2.98.999) | 40 0130C6 | F0228 | | | 1 |
| 9610084320 | BS 2000 MANUAL E/F (T.DOC.S2.00.034) | 40 0130C7 | F0228 | | | 1 |
| 9610084330 | CVM SOFTWARE (T.PVA.S2.98.1000) | 40 0130C8 | F0228 | | | 1 |
| 9610084340 | CVM MANUAL E/F (T.DOC.S2.00.039) | 40 0130C9 | F0228 | | | 1 |
| 9610084460 | WORK CARD OF EXTERNAL KIT T.PVA.S2.99.264 | 40 0140A2 | F0228 | | | 1 |
| 9610090180 | BOX ASSEMBLY (S2000.4 / V3.1) | 40 0130C2 | F0228 | | | 1 |
| 9610090190 | PC CABLE (SPC2-04) | 40 0130C3 | F0228 | | | 1 |

List by P/N

Page 4

Oct. 15/2021

SAFRAN HELICOPTER ENGINES

ARRIUS 2 F

MAINTENANCE TOOLS CATALOG

| SAFRAN HELICOPTER ENGINES P/N | Description | OT No. | Mfr. NATO Code | Manufacturer PIN | NATO P/N | Qty |
|-------------------------------|--------------------------------------|------------|----------------|------------------|---------------|-----|
| 9678400120 | VINYL POCKET 45x120 | 40 0100E | F0228 | | | 1 |
| 9681800921 | PACKING PREFORMED | 80 0130A | F0228 | | | 1 |
| 9752010044 | FLAT SEAL | 40 0360B | F0228 | | | 1 |
| 9752014044 | FLAT SEAL | 40 0360D | F0228 | | | 1 |
| 9770060034 | NIPPLE, DOUBLE | 40 0360E | F0228 | | | 1 |
| 9789141500 | FEMALE PLUG | 60 3070 | F0228 | | 5340143138714 | 1 |
| 9789141500 | PLUG | 80 3030B11 | F0228 | | | 2 |
| 9789161500 | PLUG | 80 3030B10 | F0228 | | | 1 |
| 9789161500 | PLUG | 80 3440 | F0228 | | 5340142131077 | 1 |
| 9789181500 | PLUG | 70 3110 | F0228 | | 5340140101190 | 1 |
| 9789400050 | PLUG | 50 3440 | F0228 | | 5340143437863 | 1 |
| 9789400070 | PLUG, DRAINS | 60 3160 | F0228 | | 5340143478640 | 1 |
| 9789400120 | PLUG | 80 3030B12 | F0228 | | | 1 |
| 9789400180 | PLUG | 70 3180 | F0228 | | 5340121706447 | 2 |
| 9789400220 | PLUG | 80 3450 | F0228 | | 5340144462058 | 1 |
| 9789400300 | U30 PLUG | 60 3180 | F0228 | | 5340121587595 | 2 |
| 9836005016 | SCREW | 60 0170A | F0228 | | | 3 |
| 9848401229 | SCREW CHC M4X12 | 40 0100D | F0228 | | | 3 |
| TA5150G001 | MOULDING | 40 0510 | F0228 | | 4920145741005 | 1 |
| TM0067G001 | RIGID BORESCOPE DIA. 5 WITH RETICULE | 30 0110 | F0228 | | 6650145207040 | 1 |
| TM0084G001 | PLUG | 50 3240 | F0228 | | | 1 |
| TM0085G001 | PLUG | 50 3450 | F0228 | | | 1 |
| TM0086G001 | PLUG | 80 3460 | F0228 | | | 1 |
| TM0104G012 | SYNTHAM 2000.4 + PC | 40 0130 | F0228 | | 4920145401176 | 1 |
| TM0104G112 | SYNTHAM 2000.4 / V3.1 | 40 0130C | F0228 | | | 1 |
| TM0133G001 | SLEEVE | 50 3460 | F0228 | | | 1 |
| TM0188G002 | TANK, PRESSURE GENERATOR | 20 0010 | F0228 | | 4940145269189 | 1 |
| TM0188G201 | EQUIPPED TANK | 20 0010J | F0228 | | | 1 |
| TM0188P102 | PUMP | 20 0010B | F0228 | | | 1 |
| TM0188P103 | EQUIPPED PIPE | 20 0010H | F0228 | | | 1 |
| TM0188P105 | COVER | 20 0010D | F0228 | | | 1 |
| TM0188P123 | COUPLING (LS-1806213) | 20 0010G | F0228 | | | 1 |
| TM0188P126 | SWITCH (LS-1806158) | 20 0010E | F0228 | | | 1 |
| TM0188P127 | RELAY 24V-20A (LS-1806160) | 20 0010F | F0228 | | | 1 |
| TM0188P132 | CHASSIS | 20 0010A | F0228 | | | 1 |
| TM0188P133 | ELECTRIC MOTOR | 20 0010C | F0228 | | | 1 |
| TM0188P201 | EQUIPPED PIPE | 20 0010J2 | F0228 | | | 1 |
| TM0188P202 | TANK | 20 0010J1 | F0228 | | | 1 |
| TM0310G001 | DRAINING DEVICE | 80 0140 | F0228 | | 5120145290546 | 1 |
| TM0310P002 | PACKING PREFORMED | 80 0140A | F0228 | | | 1 |
| TM0454G001 | PT WHEEL RUNOUT INSPECTION TOOL | 60 0350 | F0228 | | 5180145783309 | 1 |
| TM0466G001 | ASSEMBLY CONE | 50 0010 | F0228 | | | 1 |
| TM0582G001 | CONTAINER, GAS GENERATOR | 80 3030 | F0228 | | | 1 |
| TM0582P001 | BARE CONTAINER, GAS GENERATOR | 80 3030A | F0228 | | | 1 |
| TM0630G001 | REMOVAL / INSTALLATION TOOL | 60 0180 | F0228 | | 5120145291249 | 1 |
| TM0630P001 | FLANGE | 60 0180A | F0228 | | | 1 |
| TM0630P002 | BASE | 60 0180B | F0228 | | | 1 |
| TM0630P005 | NUT | 60 0180D | F0228 | | | 1 |
| TM0630P010 | STUD | 60 0180C | F0228 | | | 1 |

SAFRAN HELICOPTER ENGINES

ARRIUS 2 F

MAINTENANCE TOOLS CATALOG

| SAFRAN HELICOPTER ENGINES P/N | Description | OT No. | Mfr. NATO Code | Manufacturer PIN | NATO P/N | Qty |
|-------------------------------|---|-----------|----------------|------------------|---------------|-----|
| TM0631G001 | REMOVAL / INSTALLATION TOOL | 60 0190 | F0228 | | 5120145287716 | 1 |
| TM0631P001 | FLANGE | 60 0190A | F0228 | | | 1 |
| TM0631P002 | BASE | 60 0190B | F0228 | | | 1 |
| TM0631P005 | NUT | 60 0190D | F0228 | | | 1 |
| TM0631P010 | STUD | 60 0190C | F0228 | | | 1 |
| TM0714G001 | PLUGS, KIT | 80 3030B | F0228 | | | 1 |
| TM0750G010 | KIT, VIBRATIONS TEST | 40 0140 | F0228 | | | 1 |
| TM0750G110 | SEMIA EQUIPMENT | 40 0140A | F0228 | | | 1 |
| TM0750G210 | SAFRAN HELICOPTER ENGINES EQUIPMENT | 40 0140B | F0228 | | | 1 |
| TM0797G002 | MAGNETIC SEAL REMOVAL/INSTALLATION TOOL | 60 0200 | F0228 | | 5120145287713 | 1 |
| TM0797P001 | FLANGE | 60 0200A | F0228 | | | NP |
| TM0797P002 | STAND | 60 0200B | F0228 | | | NP |
| TM0797P005 | STUD | 60 0200C | F0228 | | | 1 |
| TM0797P008 | Ø INT: 25.12 O-RING SEAL | 60 0200D | F0228 | | | 1 |
| TM0797P009 | Ø INT: 36.30 O-RING SEAL | 60 0200E | F0228 | | | 1 |
| TM0801G002 | RETAINING AND GUIDING RING | 60 0210 | F0228 | | 5120145432422 | 1 |
| TM0807G001 | HYDRAULIC PRESSURE GENERATOR | 40 0370 | F0228 | | 4940145177482 | 1 |
| TM0807P006 | ADAPTER M10X100 - 1/8 GAZ | 40 0370B | F0228 | | | 2 |
| TM0807P011 | BONDED WASHER | 40 0370C | F0228 | | | 2 |
| TM1073G001 | BORESCOPIC GUIDE | 30 0160 | F0228 | | 6650145476793 | 1 |
| TM1073P001 | TUBE | 30 0160A | F0228 | | | 1 |
| TM1330G001 | PIPE | 40 0380 | F0228 | | 4720145542636 | 1 |
| TM1330P001 | PIPE | 40 0380A | F0228 | | | 1 |
| TM1507G001 | EXTRACTOR | 60 0220 | F0228 | | | 1 |
| TM1608G001 | MEASURING SYSTEM | 40 0360A | F0228 | | | 1 |
| TM1608P001 | DIGITAL INDICATOR | 40 0360A1 | F0228 | | | 1 |
| TM1608P002 | SENSOR PRESSURE | 40 0360A2 | F0228 | | | 1 |
| TM1608P003 | SHIELDED CONNECTION HARNESS | 40 0360A3 | F0228 | | | 1 |
| TM1609G001 | POCKET, MANOMETER | 40 0360 | F0228 | | 6620145279452 | 1 |
| TM1646G001 | PLUG, AIR INTAKE | 80 0240 | F0228 | | | 1 |
| TM1646G001 | PLUG, AIR INTAKE | 80 3030B3 | F0228 | | | 1 |
| TM1664G001 | REMOVAL / INSTALLATION TOOL | 60 0060 | F0228 | | 5120145551551 | 1 |
| TM1664P004 | JAW | 60 0060A | F0228 | | | 1 |
| TM2446G001 | CHECK TOOL | 40 0440 | F0228 | | | 1 |
| TM2812G001 | HOISTING SLING | 80 0150 | F0228 | | 3940145783120 | 1 |
| TM2812P001 | HOISTING BEAM | 80 0150A | F0228 | | | 3 |
| TM2812P002 | ARM | 80 0150B | F0228 | | | 1 |
| TM2812P003 | SLING | 80 0150C | F0228 | | | 2 |
| TM3369G001 | PLIERS | 60 0480 | F0228 | | | 1 |
| TM4186G001 | POSITIONING GAUGE | 60 0260 | F0228 | | 5210145783129 | 1 |
| TM4186P001 | GAUGE | 60 0260A | F0228 | | | 1 |
| TM4362G001 | PLUG | 50 3090 | F0228 | | 5340145244388 | 1 |
| TM4362G001 | PLUG | 80 0020L | F0228 | | | 1 |
| TM4375G001 | PLUG | 80 3480 | F0228 | | 5340145688126 | 1 |
| TM4574G001 | PLUG | 80 3030B8 | F0228 | | | 2 |

List by P/N

Page 6

Oct. 15/2021

SAFRAN HELICOPTER ENGINES

ARRIUS 2 F

MAINTENANCE TOOLS CATALOG

| SAFRAN HELICOPTER ENGINES P/N | Description | OT No. | Mfr. NATO Code | Manufacturer PIN | NATO P/N | Qty |
|-------------------------------|---|------------|----------------|------------------|---------------|-----|
| TM4574G001 | PLUG | 80 3170 | F0228 | | 5340144427482 | 1 |
| TM4575G001 | PLUG | 70 3030 | F0228 | | 5340145048273 | 2 |
| TM4575G001 | PLUG | 80 3030B13 | F0228 | | | 3 |
| TM4577G001 | PLUG, INJECTOR | 80 3030B1 | F0228 | | | 10 |
| TM4577G001 | PLUG | 80 3240 | F0228 | | | 10 |
| TM4578G001 | PLUG | 80 3030B7 | F0228 | | | 2 |
| TM4578G001 | PLUG | 80 3250 | F0228 | | | 2 |
| TM4582G001 | PLUG | 50 3060 | F0228 | | | 7 |
| TM4582G001 | PLUG | 80 0020J | F0228 | | | 7 |
| TM4583G001 | PLUG | 50 3130 | F0228 | | | 1 |
| TM4583G001 | PLUG | 80 0020I | F0228 | | | 1 |
| TM4584G001 | PLUG | 50 3140 | F0228 | | | 1 |
| TM4584G001 | PLUG | 80 0020H | F0228 | | | 1 |
| TM4585G001 | PLUG | 50 3040 | F0228 | | | 1 |
| TM4585G001 | PLUG | 80 0020G | F0228 | | | 2 |
| TM4586G001 | PLUG, OIL | 80 3030B5 | F0228 | | | 5 |
| TM4586G001 | PLUG, OIL | 80 3270 | F0228 | | | 4 |
| TM4587G001 | PLUG, THERMOCOUPLE | 80 3030B6 | F0228 | | | 6 |
| TM4587G001 | PLUG, THERMOCOUPLE | 80 3280 | F0228 | | | 4 |
| TM4588G001 | PLUG | 50 3230 | F0228 | | | 1 |
| TM4589G001 | PLUG | 80 0020C | F0228 | | | 1 |
| TM4593G001 | PLUG | 80 3500 | F0228 | | | 1 |
| TM4865G001 | KIT, VIBRATIONS TEST B&K 3656-A | 40 0460 | F0228 | | 4920226254505 | 1 |
| TM4890G002 | HARNESS TEST BOX | 40 0150 | F0228 | | 6625145635452 | 1 |
| TM4894G001 | TEST, HARNESS | 40 0160 | F0228 | | | 1 |
| TM5040G001 | EQUIPPED HEATING CLAMP | 40 0500 | F0228 | | 4920145741014 | 1 |
| TM5216G001 | PLUG | 80 0280 | F0228 | | | 1 |
| TM5351G001 | ACQUISITION SYSTEM B&K 2250-H-100 | 40 0460A | F0228 | | | 1 |
| TM5351G101 | PACKAGING B&K KE-0440 | 40 0460A1 | F0228 | | | 1 |
| TM5351G201 | VIBROMETER B&K 2250- H-001 | 40 0460A2 | F0228 | | | NP |
| TM5351G301 | SD CARD B&K UL-1009 | 40 0460A7 | F0228 | | | NP |
| TM5351G401 | ACQUISITION SOFTWARE B&K BZ-7226 | 40 0460A8 | F0228 | | | 1 |
| TM5351G501 | MAINS ADAPTATOR B&K ZG-0426 | 40 0460A9 | F0228 | | | 1 |
| TM5351G601 | USB/MINI USB ADAPTATOR B&K AO-1476 | 40 0460A10 | F0228 | | | 1 |
| TM5351G701 | STYLET B&K UA-1654 | 40 0460A11 | F0228 | | | 5 |
| TM5351P201 | BOX B&K 2250 | 40 0460A3 | F0228 | | | NP |
| TM5351P202 | BATTERY B&K QB-0061 | 40 0460A4 | F0228 | | | 1 |
| TM5351P203 | COVER B&K FB-0679 | 40 0460A5 | F0228 | | | 1 |
| TM5351P204 | PROTECTION PLUG B&K DD-0594 | 40 0460A6 | F0228 | | | 1 |
| TM5352G001 | PACKAGING AND MEASURE KIT B&K 8324- G-002 | 40 0460B | F0228 | | | 1 |
| TM5352G101 | CHARGE TO DELTATRON CONVERTER B&K 2647- D-004 | 40 0460B1 | F0228 | | | 1 |
| TM5596G001 | ADAPTER | 40 0550 | F0228 | | 4920145782018 | 1 |

SAFRAN HELICOPTER ENGINES

ARRIUS 2 F

MAINTENANCE TOOLS CATALOG

| <i>SAFRAN HELICOPTER ENGINES P/N</i> | <i>Description</i> | <i>OT No.</i> | <i>Mfr. NATO Code</i> | <i>Manufacturer PIN</i> | <i>NATO P/N</i> | <i>Qty</i> |
|--|--------------------|---------------|-------------------------------|-------------------------|-----------------|------------|
| TM5780G001 | ENGINE CONTAINER | 80 3010 | F0228 | | 8145145778100 | 1 |
| TM7346G001 | SUPPORT | 60 0470 | F0228 | | | 1 |
| TM7346P001 | FLANGE | 60 0470A | F0228 | | | 1 |
| TM7346P002 | CAPTIVE SCREW | 60 0470B | F0228 | | | 2 |
| TM7550G001 | LIFTING FIXTURES | 60 3340 | F0228 | | | 1 |
| TM7550P001 | BRACKET | 60 3340A | F0228 | | | 1 |
| TM7550P002 | CLAMP | 60 3340B | F0228 | | | 1 |
| TM7550P003 | GUIDE | 60 3340C | F0228 | | | 1 |
| TM7550P004 | SCREW MODIFIED | 60 3340D | F0228 | | | 1 |
| TM7670G001 | RETAINING TOOL | 50 0030 | F0228 | | | 1 |
| TM7671G001 | RETAINING TOOL | 50 0040 | F0228 | | | 1 |
| TM7706G001 | INSTALLATION TOOL | 50 0050 | F0228 | | | 1 |

LIST OF TOOLS BY OT NUMBER

| OT No. | Description | SAFRAN HELICOPTER ENGINES P/N | Mfr. NATO Code | Manufacturer PIN | NATO P/N | Qty |
|-----------|--|-------------------------------------|----------------------|------------------|---------------|-----|
| 20 0010 | TANK, PRESSURE GENERATOR | TM0188G002 | F0228 | | 4940145269189 | 1 |
| 20 0010A | CHASSIS | TM0188P132 | F0228 | | | 1 |
| 20 0010B | PUMP | TM0188P102 | F0228 | | | 1 |
| 20 0010C | ELECTRIC MOTOR | TM0188P133 | F0228 | | | 1 |
| 20 0010D | COVER | TM0188P105 | F0228 | | | 1 |
| 20 0010E | SWITCH (LS-1806158) | TM0188P126 | F0228 | | | 1 |
| 20 0010F | RELAY 24V-20A (LS-1806160) | TM0188P127 | F0228 | | | 1 |
| 20 0010G | COUPLING (LS-1806213) | TM0188P123 | F0228 | | | 1 |
| 20 0010H | EQUIPPED PIPE | TM0188P103 | F0228 | | | 1 |
| 20 0010I | ADAPTOR | 9560153370 | F0228 | | | 1 |
| 20 0010J | EQUIPPED TANK | TM0188G201 | F0228 | | | 1 |
| 20 0010J1 | TANK | TM0188P202 | F0228 | | | 1 |
| 20 0010J2 | EQUIPPED PIPE | TM0188P201 | F0228 | | | 1 |
| 20 0020 | FLOW LIMITER ASSEMBLY | 8819505000 | F0228 | | 4920144822473 | 1 |
| 20 0020A | UNION WITH MALE ENDS | 9560153380 | F0228 | | | 1 |
| 20 0020B | UNION WITH FEMALE ENDS | 9560153370 | F0228 | | | 1 |
| 20 0020C | VALVE, FINE TRIMMING | 8819505005 | F0228 | | | 1 |
| 30 0110 | RIGID BORESCOPE DIA. 5 WITH RETICULE | TM0067G001 | F0228 | | 6650145207040 | 1 |
| 30 0120 | GUIDE OF BORESCOPE HOSE | 8819369000 | F0228 | | 6650145207028 | 1 |
| 30 0130 | HANDLE, SETTING INTO ROTATION | 8814507000 | F0228 | | 5340144217308 | 1 |
| 30 0140 | BORESCOPE GUIDE | 8818684000 | F0228 | | 5365145550295 | 1 |
| 30 0150 | FLEXIBLE FIBERSCOPE DIA. 5 | 8818329200 | F0228 | | 6650145783123 | 1 |
| 30 0160 | BORESCOPIIC GUIDE | TM1073G001 | F0228 | | 6650145476793 | 1 |
| 30 0160A | TUBE | TM1073P001 | F0228 | | | 1 |
| 30 0280 | SET OF SHIMS | 1780550125 | F0228 | | 5365145783260 | 1 |
| 40 0020 | AIRCRAFT POWER SUPPLY CABLE (SMA2.03.10.2B) | 9610068900 | F0228 | | 6145145575331 | 1 |
| 40 0100 | VIBRATION MEASURING KIT B&K 2513 | 8816694000 | F0228 | | 4920144308998 | 1 |
| 40 0100A | PROTECTION BAG | 8816694107 | F0228 | | | 1 |
| 40 0100B | VIBROMETER TYPE B&K 2513, MODIFICATION BKF0058 | 8816694101 | F0228 | | | 1 |
| 40 0100C | BATTERY R6 1,5V | 9542110520 | F0228 | | | 1 |
| 40 0100D | SCREW CHC M4X12 | 9848401229 | F0228 | | | 3 |
| 40 0100E | VINYL POCKET 45x120 | 9678400120 | F0228 | | | 1 |
| 40 0100F | ACCELEROMETER CABLE B&K WL0748 | 8816694103 | F0228 | | | 1 |
| 40 0110 | ACCELEROMETER ENDEVCO 6233C-10 | 9610046360 | F0228 | | 6680014807196 | 1 |
| 40 0120 | AIRCRAFT POWER SUPPLY CABLE (SMA2.03.10) | 9610064500 | F0228 | | 6150145260114 | 1 |

SAFRAN HELICOPTER ENGINES

ARRIUS 2 F

MAINTENANCE TOOLS CATALOG

| OT No. | Description | SAFRAN HELICOPTER ENGINES P/N | Mfr. NATO Code | Manufacturer PIN | NATO P/N | Qty |
|-----------|---|-------------------------------|----------------|------------------|---------------|-----|
| 40 0130 | SYNTHAM 2000.4 + PC | TM0104G012 | F0228 | | 4920145401176 | 1 |
| 40 0130A | LAPTOP (PC/S00-2000.A) | 9610064600 | F0228 | | | 1 |
| 40 0130B | LABEL | 8815099808 | F0228 | | | 1 |
| 40 0130C | SYNTHAM 2000.4 / V3.1 | TM0104G112 | F0228 | | | 1 |
| 40 0130C1 | PORTABLE TEST KIT (S00-123) | 9610064590 | F0228 | | | 1 |
| 40 0130C2 | BOX ASSEMBLY (S2000.4 / V3.1) | 9610090180 | F0228 | | | 1 |
| 40 0130C3 | PC CABLE (SPC2-04) | 9610090190 | F0228 | | | 1 |
| 40 0130C4 | ACCELEROMETER CABLE (SMA.03.01.02) | 9610064560 | F0228 | | | 1 |
| 40 0130C5 | BATTERY CHARGER (SMA2-04-01) | 9610068790 | F0228 | | | 1 |
| 40 0130C6 | BS 2000 SOFTWARE (T.PVA.S2.98.999) | 9610084310 | F0228 | | | 1 |
| 40 0130C7 | BS 2000 MANUAL E/F (T.DOC.S2.00.034) | 9610084320 | F0228 | | | 1 |
| 40 0130C8 | CVM SOFTWARE (T.PVA.S2.98.1000) | 9610084330 | F0228 | | | 1 |
| 40 0130C9 | CVM MANUAL E/F (T.DOC.S2.00.039) | 9610084340 | F0228 | | | 1 |
| 40 0140 | KIT, VIBRATIONS TEST | TM0750G010 | F0228 | | | 1 |
| 40 0140A | SEMA EQUIPMENT | TM0750G110 | F0228 | | | 1 |
| 40 0140A1 | TACHOMETER CABLE SAS22-03-06 | 9610068730 | F0228 | | | 1 |
| 40 0140A2 | WORK CARD OF EXTERNAL KIT T.PVA.S2.99.264 | 9610084460 | F0228 | | | 1 |
| 40 0140B | SAFRAN HELICOPTER ENGINES EQUIPMENT | TM0750G210 | F0228 | | | 1 |
| 40 0140B1 | ACCELEROMETER ENDEVCO 6222S-20A | 9610020490 | F0228 | | | 1 |
| 40 0140B2 | CASE | 9610017670 | F0228 | | | 1 |
| 40 0140C | LABEL | 8815099808 | F0228 | | | 1 |
| 40 0150 | HARNESS TEST BOX | TM4890G002 | F0228 | | 6625145635452 | 1 |
| 40 0160 | TEST, HARNESS | TM4894G001 | F0228 | | | 1 |
| 40 0170 | SET OF SELF-TEST CONNECTORS | 8819459000 | F0228 | | 5935145207034 | 1 |
| 40 0180 | HARNESS | 8817367000 | F0228 | | 6150144803080 | 1 |
| 40 0190 | ADAPTATION UNION | 8819841000 | F0228 | | 4730145207036 | 1 |
| 40 0200 | HARNESS | 8819840000 | F0228 | | 6150145207035 | 1 |
| 40 0210 | ADAPTATION UNION | 8819843000 | F0228 | | 4730145207038 | 1 |
| 40 0220 | HARNESS | 8818341000 | F0228 | | 6150145207017 | 1 |
| 40 0230 | ADAPTATION UNION | 8819842000 | F0228 | | 4730145207037 | 1 |
| 40 0240 | HARNESS | 8819391000 | F0228 | | 6150145207030 | 1 |
| 40 0250 | ADAPTATION UNION | 8818932000 | F0228 | | 4730144860479 | 1 |
| 40 0260 | HARNESS | 8816492000 | F0228 | | 6150144528349 | 1 |
| 40 0270 | ADAPTATION UNION | 8818339000 | F0228 | | 4730145207015 | 1 |
| 40 0280 | HARNESS | 8819393000 | F0228 | | 6150145207031 | 1 |
| 40 0290 | ADAPTATION UNION | 8818340000 | F0228 | | 4730145207016 | 1 |
| 40 0300 | HARNESS | 8819394000 | F0228 | | 6150145207032 | 1 |
| 40 0360 | POCKET, MANOMETER | TM1609G001 | F0228 | | 6620145279452 | 1 |
| 40 0360A | MEASURING SYSTEM | TM1608G001 | F0228 | | | 1 |
| 40 0360A1 | DIGITAL INDICATOR | TM1608P001 | F0228 | | | 1 |
| 40 0360A2 | SENSOR PRESSURE | TM1608P002 | F0228 | | | 1 |

List by OT No.

Page 2

Oct. 15/2021

SAFRAN HELICOPTER ENGINES

ARRIUS 2 F

MAINTENANCE TOOLS CATALOG

| OT No. | Description | SAFRAN HELICOPTER ENGINES P/N | Mfr. NATO Code | Manufacturer PIN | NATO P/N | Qty |
|------------|--|-------------------------------|----------------|------------------|---------------|-----|
| 40 0360A3 | SHIELDED CONNECTION HARNESS | TM1608P003 | F0228 | | | 1 |
| 40 0360B | FLAT SEAL | 9752010044 | F0228 | | | 1 |
| 40 0360C | ADAPTER | 8815099420 | F0228 | | | 1 |
| 40 0360D | FLAT SEAL | 9752014044 | F0228 | | | 1 |
| 40 0360E | NIPPLE, DOUBLE | 9770060034 | F0228 | | | 1 |
| 40 0370 | HYDRAULIC PRESSURE GENERATOR | TM0807G001 | F0228 | | 4940145177482 | 1 |
| 40 0370A | PLUG | 9561490100 | F0228 | | | 2 |
| 40 0370B | ADAPTER M10X100 - 1/8 GAZ | TM0807P006 | F0228 | | | 2 |
| 40 0370C | BONDED WASHER | TM0807P011 | F0228 | | | 2 |
| 40 0380 | PIPE | TM1330G001 | F0228 | | 4720145542636 | 1 |
| 40 0380A | PIPE | TM1330P001 | F0228 | | | 1 |
| 40 0380B | PLUG TO BE SCREWED | 9610080670 | F0228 | | | 1 |
| 40 0410 | ACCELEROMETER B&K 8324 | 9610017700 | F0228 | 8324I | 6680223086122 | 1 |
| 40 0440 | CHECK TOOL | TM2446G001 | F0228 | | | 1 |
| 40 0460 | KIT, VIBRATIONS TEST B&K 3656-A | TM4865G001 | F0228 | | 4920226254505 | 1 |
| 40 0460A | ACQUISITION SYSTEM B&K 2250-H-100 | TM5351G001 | F0228 | | | 1 |
| 40 0460A1 | PACKAGING B&K KE-0440 | TM5351G101 | F0228 | | | 1 |
| 40 0460A10 | USB/MINI USB ADAPTATOR B&K AO-1476 | TM5351G601 | F0228 | | | 1 |
| 40 0460A11 | STYLET B&K UA-1654 | TM5351G701 | F0228 | | | 5 |
| 40 0460A2 | VIBROMETER B&K 2250-H-001 | TM5351G201 | F0228 | | | NP |
| 40 0460A3 | BOX B&K 2250 | TM5351P201 | F0228 | | | NP |
| 40 0460A4 | BATTERY B&K QB-0061 | TM5351P202 | F0228 | | | 1 |
| 40 0460A5 | COVER B&K FB-0679 | TM5351P203 | F0228 | | | 1 |
| 40 0460A6 | PROTECTION PLUG B&K DD-0594 | TM5351P204 | F0228 | | | 1 |
| 40 0460A7 | SD CARD B&K UL-1009 | TM5351G301 | F0228 | | | NP |
| 40 0460A8 | ACQUISITION SOFTWARE B&K BZ-7226 | TM5351G401 | F0228 | | | 1 |
| 40 0460A9 | MAINS ADAPTATOR B&K ZG-0426 | TM5351G501 | F0228 | | | 1 |
| 40 0460B | PACKAGING AND MEASURE KIT B&K 8324-G-002 | TM5352G001 | F0228 | | | 1 |
| 40 0460B1 | CHARGE TO DELTATRON CONVERTER B&K 2647-D-004 | TM5352G101 | F0228 | | | 1 |
| 40 0460B2 | HIGH TEMPERATURE ACCELEROMETER B&K 8324 | 9610017700 | F0228 | | | 1 |
| 40 0460B3 | SCREW CHC M4x10 B&K YS-8407 | 1616040107 | F0228 | | | 3 |
| 40 0500 | EQUIPPED HEATING CLAMP | TM5040G001 | F0228 | | 4920145741014 | 1 |
| 40 0510 | MOULDING | TA5150G001 | F0228 | | 4920145741005 | 1 |
| 40 0550 | ADAPTER | TM5596G001 | F0228 | | 4920145782018 | 1 |
| 40 0570 | HARNESS | 8818357000 | F0228 | | | 1 |

SAFRAN HELICOPTER ENGINES

ARRIUS 2 F

MAINTENANCE TOOLS CATALOG

| OT No. | Description | SAFRAN HELICOPTER ENGINES P/N | Mfr. NATO Code | Manufacturer PIN | NATO P/N | Qty |
|----------|--|-------------------------------|----------------|------------------|---------------|-----|
| 40 0600 | SYNTESTER | 9610064970 | F0228 | | | 1 |
| 40 0700 | CONTROL BOX | 8816445000 | F0228 | | 4920144416124 | 1 |
| 50 0010 | ASSEMBLY CONE | TM0466G001 | F0228 | | | 1 |
| 50 0020 | INSTALLATION TOOL | 8819849000 | F0228 | | | 1 |
| 50 0030 | RETAINING TOOL | TM7670G001 | F0228 | | | 1 |
| 50 0040 | RETAINING TOOL | TM7671G001 | F0228 | | | 1 |
| 50 0050 | INSTALLATION TOOL | TM7706G001 | F0228 | | | 1 |
| 50 3040 | PLUG | TM4585G001 | F0228 | | | 1 |
| 50 3050 | PLUG | 9561490180 | F0228 | | 5340121633850 | 1 |
| 50 3060 | PLUG | TM4582G001 | F0228 | | | 7 |
| 50 3080 | PROTECTOR | 8816228000 | F0228 | | 5340144493034 | 1 |
| 50 3090 | PLUG | TM4362G001 | F0228 | | 5340145244388 | 1 |
| 50 3130 | PLUG | TM4583G001 | F0228 | | | 1 |
| 50 3140 | PLUG | TM4584G001 | F0228 | | | 1 |
| 50 3160 | PLUG | 8818656000 | F0228 | | | 1 |
| 50 3220 | PLUG | 8817102000 | F0228 | | 5340145244396 | 2 |
| 50 3230 | PLUG | TM4588G001 | F0228 | | | 1 |
| 50 3240 | PLUG | TM0084G001 | F0228 | | | 1 |
| 50 3260 | PLUG | 8819830000 | F0228 | | | 1 |
| 50 3340 | PLUG, EXHAUST PIPE | 8816446000 | F0228 | | 5340144357748 | 1 |
| 50 3400 | PLUG | 9560111050 | F0609 | GPN610U3RGE | | 1 |
| 50 3440 | PLUG | 9789400050 | F0228 | | 5340143437863 | 1 |
| 50 3450 | PLUG | TM0085G001 | F0228 | | | 1 |
| 50 3460 | SLEEVE | TM0133G001 | F0228 | | | 1 |
| 50 3480 | PLUG | 8000263900 | F0228 | | | 1 |
| 50 3490 | PLUG | 8813753000 | F0228 | | 5340145245840 | 1 |
| 60 0060 | REMOVAL / INSTALLATION TOOL | TM1664G001 | F0228 | | 5120145551551 | 1 |
| 60 0060A | JAW | TM1664P004 | F0228 | | | 1 |
| 60 0070 | SET OF 5 MM- THREADED ROD EXTRACTORS | 8810131088 | F0228 | | 5120142943519 | 1 |
| 60 0120 | HOISTING FORK FITTING ASSEMBLY | 8819323000 | F0228 | | 3940145207023 | 1 |
| 60 0120A | SPINDLE | 9610010940 | F0228 | | | 2 |
| 60 0130 | PIVOTING ADAPTATION | 8819324000 | F0228 | | 4920145207024 | 1 |
| 60 0130A | L.H. PLATE | 8819324001 | F0228 | | | 1 |
| 60 0130B | R.H. PLATE | 8819324002 | F0228 | | | 1 |
| 60 0130C | L.H. FLANGE | 8819324003 | F0228 | | | 1 |
| 60 0130D | R.H. FLANGE | 8819324004 | F0228 | | | 1 |
| 60 0130E | L.H. REMOVABLE PIVOT | 8819324005 | F0228 | | | 1 |
| 60 0130F | R.H. REMOVABLE PIVOT | 8819324006 | F0228 | | | 1 |
| 60 0140 | PIVOTING ADAPTATION | 8819317000 | F0228 | | 4920145207022 | 1 |
| 60 0140A | LEFT STRUT | 8819317001 | F0228 | | | 1 |
| 60 0140B | RIGHT STRUT | 8819317002 | F0228 | | | 1 |
| 60 0140C | PIVOT | 8819317003 | F0228 | | | 2 |
| 60 0140D | NUT | 8819317004 | F0228 | | | 4 |
| 60 0140E | PLATE | 8819317006 | F0228 | | | 2 |
| 60 0140F | SCREW | 8819324007 | F0228 | | | 2 |
| 60 0150 | WRENCH | 8819334000 | F0228 | | 5120145207026 | 1 |
| 60 0160 | REAR CASING SUPPORT | 8818628200 | F0228 | | 4920145207019 | 1 |
| 60 0160A | SUPPORT | 8818628202 | F0228 | | | 1 |
| 60 0170 | RETAINER | 8819384000 | F0228 | | 5365145308536 | 1 |
| 60 0170A | SCREW | 9836005016 | F0228 | | | 3 |
| 60 0180 | REMOVAL / INSTALLATION TOOL | TM0630G001 | F0228 | | 5120145291249 | 1 |

List by OT No.

Page 4

Oct. 15/2021

SAFRAN HELICOPTER ENGINES

ARRIUS 2 F

MAINTENANCE TOOLS CATALOG

| OT No. | Description | SAFRAN HELICOPTER ENGINES P/N | Mfr. NATO Code | Manufacturer PIN | NATO P/N | Qty |
|-----------|--|-------------------------------------|----------------------|------------------|---------------|-----|
| 60 0180A | FLANGE | TM0630P001 | F0228 | | | 1 |
| 60 0180B | BASE | TM0630P002 | F0228 | | | 1 |
| 60 0180C | STUD | TM0630P010 | F0228 | | | 1 |
| 60 0180D | NUT | TM0630P005 | F0228 | | | 1 |
| 60 0190 | REMOVAL / INSTALLATION TOOL | TM0631G001 | F0228 | | 5120145287716 | 1 |
| 60 0190A | FLANGE | TM0631P001 | F0228 | | | 1 |
| 60 0190B | BASE | TM0631P002 | F0228 | | | 1 |
| 60 0190C | STUD | TM0631P010 | F0228 | | | 1 |
| 60 0190D | NUT | TM0631P005 | F0228 | | | 1 |
| 60 0200 | MAGNETIC SEAL REMOVAL/INSTALLATION TOOL | TM0797G002 | F0228 | | 5120145287713 | 1 |
| 60 0200A | FLANGE | TM0797P001 | F0228 | | | NP |
| 60 0200B | STAND | TM0797P002 | F0228 | | | NP |
| 60 0200C | STUD | TM0797P005 | F0228 | | | 1 |
| 60 0200D | Ø INT: 25.12 O-RING SEAL | TM0797P008 | F0228 | | | 1 |
| 60 0200E | Ø INT: 36.30 O-RING SEAL | TM0797P009 | F0228 | | | 1 |
| 60 0200F | BUTT OF CONNECTION | 9610059020 | F0228 | | | 1 |
| 60 0200G | COPPER SEAL | 9560142800 | F0228 | | | 1 |
| 60 0210 | RETAINING AND GUIDING RING | TM0801G002 | F0228 | | 5120145432422 | 1 |
| 60 0220 | EXTRACTOR | TM1507G001 | F0228 | | | 1 |
| 60 0230 | AIR INTAKE PLUG | 8818657000 | F0228 | | 5340145207020 | 1 |
| 60 0240 | ASSEMBLY SUPPORT | 8818381000 | F0228 | | 4920145308535 | 1 |
| 60 0240A | CENTERING TOOL | 8818381001 | F0228 | | | 1 |
| 60 0240B | BASE PLATE | 8818381002 | F0228 | | | 1 |
| 60 0240C | TIE ROD | 8818381003 | F0228 | | | 1 |
| 60 0250 | STRIPBOARD CUTTER | 9610019070 | F0228 | | 5110997195219 | 1 |
| 60 0260 | POSITIONING GAUGE | TM4186G001 | F0228 | | 5210145783129 | 1 |
| 60 0260A | GAUGE | TM4186P001 | F0228 | | | 1 |
| 60 0260B | SCREW | 1616050088 | F0228 | | | 1 |
| 60 0290 | PLUG | 8816854000 | F0228 | | 4920145759304 | 1 |
| 60 0300 | WRENCH AND RETAINER | 8819375000 | F0228 | | 5120145207029 | 1 |
| 60 0300A | WRENCH | 8819375002 | F0228 | | | 1 |
| 60 0300B | DOWEL | 8819375003 | F0228 | | | 3 |
| 60 0300C | RETAINER | 8819375001 | F0228 | | | 1 |
| 60 0310 | REMOVAL / INSTALLATION TOOL, VARILIP SEALS | 8819349000 | F0228 | | 5120145207027 | 1 |
| 60 0310A | PLUNGER | 8819349001 | F0228 | | | 1 |
| 60 0310B | SUPPORT | 8819349002 | F0228 | | | 1 |
| 60 0310C | SUPPORT | 8819349003 | F0228 | | | 1 |
| 60 0320 | HANDLING BOX | 8230896300 | F0228 | | 8145144749133 | 1 |
| 60 0330 | PT WHEEL REMOVAL/ INSTALLATION TOOL | 8818379000 | F0228 | | 5180145783104 | 1 |
| 60 0340 | POWER TURBINE WHEEL REMOVAL/ INSTALLATION TOOL | 8819326000 | F0228 | | 5180145783100 | 1 |
| 60 0340A | IMMOBILIZER | 8819326100 | F0228 | | | NP |
| 60 0340A1 | 12-FLAT WRENCH | 8819326105 | F0228 | | | 1 |
| 60 0340A2 | FIXTURE | 8819326101 | F0228 | | | NP |
| 60 0340A3 | WRENCH | 8819326112 | F0228 | | | 1 |
| 60 0340A4 | PROTECTOR | 8819326111 | F0228 | | | NP |

SAFRAN HELICOPTER ENGINES

ARRIUS 2 F

MAINTENANCE TOOLS CATALOG

| OT No. | Description | SAFRAN HELICOPTER ENGINES P/N | Mfr. NATO Code | Manufacturer PIN | NATO P/N | Qty |
|----------|-------------------------------------|-------------------------------------|----------------------|------------------|---------------|-----|
| 60 0340B | COMPARATOR SUPPORT | 8819326200 | F0228 | | | NP |
| 60 0340C | EQUIPPED COMPARATOR | 8819326300 | F0228 | | | NP |
| 60 0350 | PT WHEEL RUNOUT INSPECTION TOOL | TM0454G001 | F0228 | | 5180145783309 | 1 |
| 60 0370 | RETAINING RING INSTALLATION TOOL | 8816758000 | F0228 | | 5120144451885 | 1 |
| 60 0470 | SUPPORT | TM7346G001 | F0228 | | | 1 |
| 60 0470A | FLANGE | TM7346P001 | F0228 | | | 1 |
| 60 0470B | CAPTIVE SCREW | TM7346P002 | F0228 | | | 2 |
| 60 0480 | PLIERS | TM3369G001 | F0228 | | | 1 |
| 60 0490 | REMOVAL / INSTALLATION TOOL | 8813379000 | F0228 | | 5120144095115 | 1 |
| 60 0490A | SEALOL RING | 8813379001 | F0228 | | | 1 |
| 60 0490B | SEALOL INSTALLATION | 8813379002 | F0228 | | | 1 |
| 60 0490C | SEALOL EXTRACTOR | 8813379004 | F0228 | | | 1 |
| 60 3060 | PLUG | 8818658000 | F0228 | | | 1 |
| 60 3070 | FEMALE PLUG | 9789141500 | F0228 | | 5340143138714 | 1 |
| 60 3140 | PLUG | 8817506000 | F0228 | | 1730144407781 | 1 |
| 60 3160 | PLUG, DRAINS | 9789400070 | F0228 | | 5340143478640 | 1 |
| 60 3180 | U30 PLUG | 9789400300 | F0228 | | 5340121587595 | 2 |
| 60 3320 | PROTECTOR NUT | 8819832000 | F0228 | | | 4 |
| 60 3340 | LIFTING FIXTURES | TM7550G001 | F0228 | | | 1 |
| 60 3340A | BRACKET | TM7550P001 | F0228 | | | 1 |
| 60 3340B | CLAMP | TM7550P002 | F0228 | | | 1 |
| 60 3340C | GUIDE | TM7550P003 | F0228 | | | 1 |
| 60 3340D | SCREW MODIFIED | TM7550P004 | F0228 | | | 1 |
| 70 0010 | EXTRACTION MANDREL | 8814482000 | F0228 | | 5120144103468 | 1 |
| 70 0010A | PLUNGER | 8814482001 | F0228 | | | 1 |
| 70 0010B | STAND | 8814482002 | F0228 | | | 1 |
| 70 3030 | PLUG | TM4575G001 | F0228 | | 5340145048273 | 2 |
| 70 3110 | PLUG | 9789181500 | F0228 | | 5340140101190 | 1 |
| 70 3180 | PLUG | 9789400180 | F0228 | | 5340121706447 | 2 |
| 80 0020 | CONTAINER, BARE REDUCTION GEAR | 8819367000 | F0228 | | 8145145308538 | 1 |
| 80 0020A | PLUG | 8816389000 | F0228 | | | 1 |
| 80 0020B | PLUG | 8819828000 | F0228 | | | 1 |
| 80 0020C | PLUG | TM4589G001 | F0228 | | | 1 |
| 80 0020D | PLUG | 8819373000 | F0228 | | | 1 |
| 80 0020E | PLUG | 8819372000 | F0228 | | | 2 |
| 80 0020F | PLUG | 8819370000 | F0228 | | | 1 |
| 80 0020G | PLUG | TM4585G001 | F0228 | | | 2 |
| 80 0020H | PLUG | TM4584G001 | F0228 | | | 1 |
| 80 0020I | PLUG | TM4583G001 | F0228 | | | 1 |
| 80 0020J | PLUG | TM4582G001 | F0228 | | | 7 |
| 80 0020K | PLUG | 8818644000 | F0228 | | | 1 |
| 80 0020L | PLUG | TM4362G001 | F0228 | | | 1 |
| 80 0020M | PLUG, STARTER | 8816228000 | F0228 | | | 1 |
| 80 0020N | PLUG | 8819645000 | F0228 | | | 1 |
| 80 0020O | PLUG | 9561490180 | F0228 | | | 1 |
| 80 0060 | PLUG | 8818641000 | F0228 | | 5340145308537 | 1 |
| 80 0060A | SCREW | 9560152620 | F0228 | | | 6 |
| 80 0070 | HOISTING SLING | 8818368000 | F0228 | | 3940145207018 | 1 |
| 80 0070A | SNAP HOOK HOLDER | 8818368006 | F0228 | | | 3 |
| 80 0070B | LINK | 8818368004 | F0228 | | | 3 |
| 80 0070C | SLING | 8818368005 | F0228 | | | 3 |

List by OT No.

Page 6

Oct. 15/2021

SAFRAN HELICOPTER ENGINES

ARRIUS 2 F

MAINTENANCE TOOLS CATALOG

| OT No. | Description | SAFRAN HELICOPTER ENGINES P/N | Mfr. NATO Code | Manufacturer PIN | NATO P/N | Qty |
|------------|----------------------------------|-------------------------------------|----------------------|------------------|---------------|-----|
| 80 0070D | RING | 8818368002 | F0228 | | | 1 |
| 80 0070E | HOISTING BEAM | 8818368001 | F0228 | | | 1 |
| 80 0080 | ENGINE MOUNT ASSEMBLY | 8819331000 | F0228 | | 4920145207025 | 1 |
| 80 0080A | PIN | 8810600006 | F0228 | | | 3 |
| 80 0080B | REAR FLANGE | 8819331002 | F0228 | | | 1 |
| 80 0080C | H.E. IGNITION UNIT | 8818314000 | F0228 | | | 1 |
| 80 0080D | HOISTING BEAM | 8819331001 | F0228 | | | 1 |
| 80 0090 | WOOD CONTAINER, SHUTTLE | 8819805000 | F0228 | | 8145145575702 | 1 |
| 80 0100 | CONTAINER, REDUCTION GEARBOX | 8819823000 | F0228 | | 8145145278791 | 1 |
| 80 0100A | PLUGS KIT | 8819823200 | F0228 | | | 1 |
| 80 0120 | HANDLING MATCHING | 8819454000 | F0228 | | | 1 |
| 80 0130 | DRAINING DEVICE | 8816520000 | F0228 | | | 1 |
| 80 0130A | PACKING PREFORMED | 9681800921 | F0228 | | | 1 |
| 80 0140 | DRAINING DEVICE | TM0310G001 | F0228 | | 5120145290546 | 1 |
| 80 0140A | PACKING PREFORMED | TM0310P002 | F0228 | | | 1 |
| 80 0150 | HOISTING SLING | TM2812G001 | F0228 | | 3940145783120 | 1 |
| 80 0150A | HOISTING BEAM | TM2812P001 | F0228 | | | 3 |
| 80 0150B | ARM | TM2812P002 | F0228 | | | 1 |
| 80 0150C | SLING | TM2812P003 | F0228 | | | 2 |
| 80 0180 | BARE METALLIC CONTAINER | 8819212000 | F0228 | | 8145145282956 | 1 |
| 80 0180A | PACKING, PREFORMED | 8819212020 | F0228 | | | 1 |
| 80 0180A1 | PRESSURE RELIEF VALVE ¼ G | 9610053120 | F0228 | | | 1 |
| 80 0180A2 | VALVE | 9610053100 | F0228 | | | 1 |
| 80 0180A3 | HUMIDITY INDICATOR | 9610053130 | F0228 | | | 1 |
| 80 0190 | DRAINING DEVICE | 8818174000 | F0228 | | | 1 |
| 80 0230 | SHIPMENT CONTAINER | 8242000000 | F0228 | | | 1 |
| 80 0240 | PLUG, AIR INTAKE | TM1646G001 | F0228 | | | 1 |
| 80 0280 | PLUG | TM5216G001 | F0228 | | | 1 |
| 80 3010 | ENGINE CONTAINER | TM5780G001 | F0228 | | 8145145778100 | 1 |
| 80 3030 | CONTAINER, GAS GENERATOR | TM0582G001 | F0228 | | | 1 |
| 80 3030A | BARE CONTAINER, GAS GENERATOR | TM0582P001 | F0228 | | | 1 |
| 80 3030B | PLUGS, KIT | TM0714G001 | F0228 | | | 1 |
| 80 3030B1 | PLUG, INJECTOR | TM4577G001 | F0228 | | | 10 |
| 80 3030B10 | PLUG | 9789161500 | F0228 | | | 1 |
| 80 3030B11 | PLUG | 9789141500 | F0228 | | | 2 |
| 80 3030B12 | PLUG | 9789400120 | F0228 | | | 1 |
| 80 3030B13 | PLUG | TM4575G001 | F0228 | | | 3 |
| 80 3030B2 | SHIPPING PROTECTOR | 8818656000 | F0228 | | | 1 |
| 80 3030B3 | PLUG, AIR INTAKE | TM1646G001 | F0228 | | | 1 |
| 80 3030B4 | PLUG, EXHAUST CONE | 8818658000 | F0228 | | | 1 |
| 80 3030B5 | PLUG, OIL | TM4586G001 | F0228 | | | 5 |
| 80 3030B6 | PLUG, THERMOCOUPLE | TM4587G001 | F0228 | | | 6 |
| 80 3030B7 | PLUG | TM4578G001 | F0228 | | | 2 |
| 80 3030B8 | PLUG | TM4574G001 | F0228 | | | 2 |
| 80 3030B9 | PLUG | 8816389000 | F0228 | | | 2 |
| 80 3140 | SHIPMENT BOX | 8242001000 | F0228 | | | 1 |
| 80 3160 | PLUG | 8816389000 | F0228 | | | 2 |
| 80 3170 | PLUG | TM4574G001 | F0228 | | 5340144427482 | 1 |
| 80 3240 | PLUG | TM4577G001 | F0228 | | | 10 |

SAFRAN HELICOPTER ENGINES

ARRIUS 2 F

MAINTENANCE TOOLS CATALOG

| <i>OT No.</i> | <i>Description</i> | <i>SAFRAN HELICOPTER ENGINES P/N</i> | <i>Mfr. NATO Code</i> | <i>Manufacturer PIN</i> | <i>NATO P/N</i> | <i>Qty</i> |
|---------------|--------------------------------|--|-------------------------------|-------------------------|-----------------|------------|
| 80 3250 | PLUG | TM4578G001 | F0228 | | | 2 |
| 80 3270 | PLUG, OIL | TM4586G001 | F0228 | | | 4 |
| 80 3280 | PLUG, THERMOCOUPLE | TM4587G001 | F0228 | | | 4 |
| 80 3370 | SHIPMENT CONTAINER | 8242000010 | F0228 | | | 1 |
| 80 3390 | SHIPMENT CONTAINER MODULE 1 | 8242000270 | F0228 | | | 1 |
| 80 3440 | PLUG | 9789161500 | F0228 | | 5340142131077 | 1 |
| 80 3450 | PLUG | 9789400220 | F0228 | | 5340144462058 | 1 |
| 80 3460 | PLUG | TM0086G001 | F0228 | | | 1 |
| 80 3480 | PLUG | TM4375G001 | F0228 | | 5340145688126 | 1 |
| 80 3500 | PLUG | TM4593G001 | F0228 | | | 1 |
| 90 0010 | VISCOMETER | 8819252000 | F0228 | | 6630144765020 | 1 |

LIST OF TOOLS BY TOOL NAME

| Description | OT No. | SAFRAN HELICOPTER ENGINES P/N | Mfr. NATO Code | Manufacturer PIN | Qty | Application |
|-----------------------------------|---------|-------------------------------------|----------------------|------------------|-----|--------------------------|
| ACCELEROMETER B&K 8324 | 40 0410 | 9610017700 | F0228 | 8324I | 1 | Tests |
| ACCELEROMETER ENDEVCO 6233C-10 | 40 0110 | 9610046360 | F0228 | | 1 | Tests |
| ADAPTATION UNION | 40 0190 | 8819841000 | F0228 | | 1 | Tests |
| ADAPTATION UNION | 40 0210 | 8819843000 | F0228 | | 1 | Tests |
| ADAPTATION UNION | 40 0230 | 8819842000 | F0228 | | 1 | Tests |
| ADAPTATION UNION | 40 0250 | 8818932000 | F0228 | | 1 | Tests |
| ADAPTATION UNION | 40 0270 | 8818339000 | F0228 | | 1 | Tests |
| ADAPTATION UNION | 40 0290 | 8818340000 | F0228 | | 1 | Tests |
| ADAPTER | 40 0550 | TM5596G001 | F0228 | | 1 | Tests |
| AIR INTAKE PLUG | 60 0230 | 8818657000 | F0228 | | 1 | Removal- Installation |
| AIRCRAFT POWER SUPPLY CABLE | 40 0120 | 9610064500 | F0228 | | 1 | Tests |
| (SMA2.03.10) | | | | | | |
| AIRCRAFT POWER SUPPLY CABLE | 40 0020 | 9610068900 | F0228 | | 1 | Tests |
| (SMA2.03.10.2B) | | | | | | |
| ASSEMBLY CONE | 50 0010 | TM0466G001 | F0228 | | 1 | Removal- Installation |
| ASSEMBLY SUPPORT | 60 0240 | 8818381000 | F0228 | | 1 | Removal- Installation |
| BARE METALLIC CONTAINER | 80 0180 | 8819212000 | F0228 | | 1 | Storage |
| BORESCOPE GUIDE | 30 0140 | 8818684000 | F0228 | | 1 | Insp. & Check |
| BORESCOPIIC GUIDE | 30 0160 | TM1073G001 | F0228 | | 1 | Insp. & Check |
| CHECK TOOL | 40 0440 | TM2446G001 | F0228 | | 1 | Tests |
| CONTAINER, BARE REDUCTION GEAR | 80 0020 | 8819367000 | F0228 | | 1 | Storage |
| CONTAINER, GAS GENERATOR | 80 3030 | TM0582G001 | F0228 | | 1 | Storage |
| CONTAINER, REDUCTION GEARBOX | 80 0100 | 8819823000 | F0228 | | 1 | Storage |
| CONTROL BOX | 40 0700 | 8816445000 | F0228 | | 1 | Tests |
| DRAINING DEVICE | 80 0130 | 8816520000 | F0228 | | 1 | Storage |
| DRAINING DEVICE | 80 0140 | TM0310G001 | F0228 | | 1 | Storage |
| DRAINING DEVICE | 80 0190 | 8818174000 | F0228 | | 1 | Storage |
| ENGINE CONTAINER | 80 3010 | TM5780G001 | F0228 | | 1 | Storage |
| ENGINE MOUNT ASSEMBLY | 80 0080 | 8819331000 | F0228 | | 1 | Storage |
| EQUIPPED HEATING CLAMP | 40 0500 | TM5040G001 | F0228 | | 1 | Tests |
| EXTRACTION MANDREL | 70 0010 | 8814482000 | F0228 | | 1 | Removal- Installation |
| EXTRACTOR | 60 0220 | TM1507G001 | F0228 | | 1 | Removal- Installation |
| FEMALE PLUG | 60 3070 | 9789141500 | F0228 | | 1 | Disassembly- Assembly |
| FLEXIBLE FIBERSCOPE DIA. 5 | 30 0150 | 8818329200 | F0228 | | 1 | Insp. & Check |
| FLOW LIMITER ASSEMBLY | 20 0020 | 8819505000 | F0228 | | 1 | Cleaning |
| GUIDE OF BORESCOPE HOSE | 30 0120 | 8819369000 | F0228 | | 1 | Insp. & Check |
| HANDLE, SETTING INTO ROTATION | 30 0130 | 8814507000 | F0228 | | 1 | Insp. & Check |

SAFRAN HELICOPTER ENGINES

ARRIUS 2 F

MAINTENANCE TOOLS CATALOG

| Description | OT No. | SAFRAN HELICOPTER ENGINES P/N | Mfr. NATO Code | Manufacturer PIN | Qty | Application |
|---|---------|-------------------------------------|----------------------|------------------|-----|--------------------------|
| HANDLING BOX | 60 0320 | 8230896300 | F0228 | | 1 | Removal- Installation |
| HANDLING MATCHING | 80 0120 | 8819454000 | F0228 | | 1 | Storage |
| HARNESS | 40 0180 | 8817367000 | F0228 | | 1 | Tests |
| HARNESS | 40 0200 | 8819840000 | F0228 | | 1 | Tests |
| HARNESS | 40 0220 | 8818341000 | F0228 | | 1 | Tests |
| HARNESS | 40 0240 | 8819391000 | F0228 | | 1 | Tests |
| HARNESS | 40 0260 | 8816492000 | F0228 | | 1 | Tests |
| HARNESS | 40 0280 | 8819393000 | F0228 | | 1 | Tests |
| HARNESS | 40 0300 | 8819394000 | F0228 | | 1 | Tests |
| HARNESS | 40 0570 | 8818357000 | F0228 | | 1 | Tests |
| HARNESS TEST BOX | 40 0150 | TM4890G002 | F0228 | | 1 | Tests |
| HOISTING FORK FITTING ASSEMBLY | 60 0120 | 8819323000 | F0228 | | 1 | Removal- Installation |
| HOISTING SLING | 80 0070 | 8818368000 | F0228 | | 1 | Storage |
| HOISTING SLING | 80 0150 | TM2812G001 | F0228 | | 1 | Storage |
| HYDRAULIC PRESSURE GENERATOR | 40 0370 | TM0807G001 | F0228 | | 1 | Tests |
| INSTALLATION TOOL | 50 0020 | 8819849000 | F0228 | | 1 | Removal- Installation |
| INSTALLATION TOOL | 50 0050 | TM7706G001 | F0228 | | 1 | Removal- Installation |
| KIT, VIBRATIONS TEST | 40 0140 | TM0750G010 | F0228 | | 1 | Tests |
| KIT, VIBRATIONS TEST B&K 3656-A | 40 0460 | TM4865G001 | F0228 | | 1 | Tests |
| LIFTING FIXTURES | 60 3340 | TM7550G001 | F0228 | | 1 | Storage |
| MAGNETIC SEAL REMOVAL/INSTALLATION TOOL | 60 0200 | TM0797G002 | F0228 | | 1 | Removal- Installation |
| MOULDING | 40 0510 | TA5150G001 | F0228 | | 1 | Tests |
| PIPE | 40 0380 | TM1330G001 | F0228 | | 1 | Tests |
| PIVOTING ADAPTATION | 60 0130 | 8819324000 | F0228 | | 1 | Removal- Installation |
| PIVOTING ADAPTATION | 60 0140 | 8819317000 | F0228 | | 1 | Removal- Installation |
| PLIERS | 60 0480 | TM3369G001 | F0228 | | 1 | Removal- Installation |
| PLUG | 50 3040 | TM4585G001 | F0228 | | 1 | Assembly |
| PLUG | 50 3050 | 9561490180 | F0228 | | 1 | Assembly |
| PLUG | 50 3060 | TM4582G001 | F0228 | | 7 | Assembly |
| PLUG | 50 3090 | TM4362G001 | F0228 | | 1 | Assembly |
| PLUG | 50 3130 | TM4583G001 | F0228 | | 1 | Assembly |
| PLUG | 50 3140 | TM4584G001 | F0228 | | 1 | Assembly |
| PLUG | 50 3160 | 8818656000 | F0228 | | 1 | Assembly |
| PLUG | 50 3220 | 8817102000 | F0228 | | 2 | Assembly |
| PLUG | 50 3230 | TM4588G001 | F0228 | | 1 | Assembly |
| PLUG | 50 3240 | TM0084G001 | F0228 | | 1 | Assembly |
| PLUG | 50 3260 | 8819830000 | F0228 | | 1 | Assembly |
| PLUG | 50 3400 | 9560111050 | F6069 | GPN610U3RGE | 1 | Assembly |
| PLUG | 50 3440 | 9789400050 | F0228 | | 1 | Assembly |
| PLUG | 50 3450 | TM0085G001 | F0228 | | 1 | Assembly |
| PLUG | 50 3480 | 8000263900 | F0228 | | 1 | Assembly |
| PLUG | 50 3490 | 8813753000 | F0228 | | 1 | Assembly |
| PLUG | 60 0290 | 8816854000 | F0228 | | 1 | Removal- Installation |
| PLUG | 60 3060 | 8818658000 | F0228 | | 1 | Disassembly- Assembly |
| PLUG | 60 3140 | 8817506000 | F0228 | | 1 | Disassembly- Assembly |
| PLUG | 70 3030 | TM4575G001 | F0228 | | 2 | Disassembly |
| PLUG | 70 3110 | 9789181500 | F0228 | | 1 | Disassembly |
| PLUG | 70 3180 | 9789400180 | F0228 | | 2 | Disassembly |
| PLUG | 80 0060 | 8818641000 | F0228 | | 1 | Storage |

List by Tool name

Page 2

00-00-42

Oct. 15/2021

SAFRAN HELICOPTER ENGINES

ARRIUS 2 F

MAINTENANCE TOOLS CATALOG

| Description | OT No. | SAFRAN HELICOPTER ENGINES P/N | Mfr. NATO Code | Manufacturer PIN | Qty | Application |
|---|--------------------|-------------------------------------|----------------------|------------------|--------|--|
| PLUG | 80 0280 | TM5216G001 | F0228 | | 1 | Removal- Installation |
| PLUG | 80 3160 | 8816389000 | F0228 | | 2 | Storage |
| PLUG | 80 3170 | TM4574G001 | F0228 | | 1 | Storage |
| PLUG | 80 3240 | TM4577G001 | F0228 | | 10 | Storage |
| PLUG | 80 3250 | TM4578G001 | F0228 | | 2 | Storage |
| PLUG | 80 3440 | 9789161500 | F0228 | | 1 | Storage |
| PLUG | 80 3450 | 9789400220 | F0228 | | 1 | Storage |
| PLUG | 80 3460 | TM0086G001 | F0228 | | 1 | Storage |
| PLUG | 80 3480 | TM4375G001 | F0228 | | 1 | Storage |
| PLUG | 80 3500 | TM4593G001 | F0228 | | 1 | Storage |
| PLUG, AIR INTAKE | 80 0240 | TM1646G001 | F0228 | | 1 | Storage |
| PLUG, DRAINS | 60 3160 | 9789400070 | F0228 | | 1 | Disassembly- Assembly |
| PLUG, EXHAUST PIPE | 50 3340 | 8816446000 | F0228 | | 1 | Assembly |
| PLUG, OIL | 80 3270 | TM4586G001 | F0228 | | 4 | Storage |
| PLUG, THERMOCOUPLE | 80 3280 | TM4587G001 | F0228 | | 4 | Storage |
| POCKET, MANOMETER | 40 0360 | TM1609G001 | F0228 | | 1 | Tests |
| POSITIONING GAUGE | 60 0260 | TM4186G001 | F0228 | | 1 | Removal- Installation |
| POWER TURBINE WHEEL REMOVAL/ INSTALLATION TOOL | 60 0340 | 8819326000 | F0228 | | 1 | Removal- Installation |
| PROTECTOR | 50 3080 | 8816228000 | F0228 | | 1 | Assembly |
| PROTECTOR NUT | 60 3320 | 8819832000 | F0228 | | 4 | Disassembly- Assembly |
| PT WHEEL REMOVAL/ INSTALLATION TOOL | 60 0330 | 8818379000 | F0228 | | 1 | Removal- Installation |
| PT WHEEL RUNOUT INSPECTION TOOL | 60 0350 | TM0454G001 | F0228 | | 1 | Removal- Installation |
| REAR CASING SUPPORT REMOVAL / INSTALLATION TOOL | 60 0160 60 0060 | 8818628200 TM1664G001 | F0228 F0228 | | 1 1 | Removal- Installation Removal- Installation |
| REMOVAL / INSTALLATION TOOL | 60 0180 | TM0630G001 | F0228 | | 1 | Removal- Installation |
| REMOVAL / INSTALLATION TOOL | 60 0190 | TM0631G001 | F0228 | | 1 | Removal- Installation |
| REMOVAL / INSTALLATION TOOL | 60 0490 | 8813379000 | F0228 | | 1 | Removal- Installation |
| REMOVAL / INSTALLATION TOOL, VARILIP SEALS | 60 0310 | 8819349000 | F0228 | | 1 | Removal- Installation |
| RETAINER | 60 0170 | 8819384000 | F0228 | | 1 | Removal- Installation |
| RETAINING AND GUIDING RING | 60 0210 | TM0801G002 | F0228 | | 1 | Removal- Installation |
| RETAINING RING INSTALLATION TOOL | 60 0370 | 8816758000 | F0228 | | 1 | Removal- Installation |
| RETAINING TOOL | 50 0030 | TM7670G001 | F0228 | | 1 | Removal- Installation |
| RETAINING TOOL | 50 0040 | TM7671G001 | F0228 | | 1 | Removal- Installation |
| RIGID BORESCOPE DIA. 5 WITH RETICULE | 30 0110 | TM0067G001 | F0228 | | 1 | Insp. & Check |
| SET OF 5 MM- THREADED ROD EXTRACTORS | 60 0070 | 8810131088 | F0228 | | 1 | Removal- Installation |
| SET OF SELF-TEST CONNECTORS | 40 0170 | 8819459000 | F0228 | | 1 | Tests |
| SET OF SHIMS | 30 0280 | 1780550125 | F0228 | | 1 | Insp. & Check |
| SHIPMENT BOX | 80 3140 | 8242001000 | F0228 | | 1 | Storage |

List by Tool name

Page 3

00-00-42

Oct. 15/2021

SAFRAN HELICOPTER ENGINES

ARRIUS 2 F

MAINTENANCE TOOLS CATALOG

| <i>Description</i> | <i>OT No.</i> | <i>SAFRAN HELICOPTER ENGINES P/N</i> | <i>Mfr. NATO Code</i> | <i>Manufacturer PIN</i> | <i>Qty</i> | <i>Application</i> |
|-------------------------------------|---------------|--|-------------------------------|-------------------------|------------|--------------------------|
| SHIPMENT CONTAINER | 80 0230 | 8242000000 | F0228 | | 1 | Storage |
| SHIPMENT CONTAINER | 80 3370 | 8242000010 | F0228 | | 1 | Storage |
| SHIPMENT CONTAINER MODULE 1 | 80 3390 | 8242000270 | F0228 | | 1 | Storage |
| SLEEVE | 50 3460 | TM0133G001 | F0228 | | 1 | Assembly |
| STRIPBOARD CUTTER | 60 0250 | 9610019070 | F0228 | | 1 | Removal- Installation |
| SUPPORT | 60 0470 | TM7346G001 | F0228 | | 1 | Removal- Installation |
| SYNTESTER | 40 0600 | 9610064970 | F0228 | | 1 | Tests |
| SYNTHAM 2000.4 + PC | 40 0130 | TM0104G012 | F0228 | | 1 | Tests |
| TANK, PRESSURE GENERATOR | 20 0010 | TM0188G002 | F0228 | | 1 | Cleaning |
| TEST, HARNESS | 40 0160 | TM4894G001 | F0228 | | 1 | Tests |
| U30 PLUG | 60 3180 | 9789400300 | F0228 | | 2 | Disassembly- Assembly |
| VIBRATION MEASURING KIT B&K 2513 | 40 0100 | 8816694000 | F0228 | | 1 | Tests |
| VISCOMETER | 90 0010 | 8819252000 | F0228 | | 1 | Other |
| WOOD CONTAINER, SHUTTLE | 80 0090 | 8819805000 | F0228 | | 1 | Storage |
| WRENCH | 60 0150 | 8819334000 | F0228 | | 1 | Removal- Installation |
| WRENCH AND RETAINER | 60 0300 | 8819375000 | F0228 | | 1 | Removal- Installation |

List by Tool name

Page 4

00-00-42

Oct. 15/2021

LIST OF TOOLS BY APPLICATION

| <i>Application</i> | <i>OT No.</i> | <i>Description</i> | <i>SAFRAN HELICOPTER ENGINES P/N</i> |
|--------------------|---------------|--------------------------------------|--|
| Assembly | 50 3040 | PLUG | TM4585G001 |
| Assembly | 50 3050 | PLUG | 9561490180 |
| Assembly | 50 3060 | PLUG | TM4582G001 |
| Assembly | 50 3080 | PROTECTOR | 8816228000 |
| Assembly | 50 3090 | PLUG | TM4362G001 |
| Assembly | 50 3130 | PLUG | TM4583G001 |
| Assembly | 50 3140 | PLUG | TM4584G001 |
| Assembly | 50 3160 | PLUG | 8818656000 |
| Assembly | 50 3220 | PLUG | 8817102000 |
| Assembly | 50 3230 | PLUG | TM4588G001 |
| Assembly | 50 3240 | PLUG | TM0084G001 |
| Assembly | 50 3260 | PLUG | 8819830000 |
| Assembly | 50 3340 | PLUG, EXHAUST PIPE | 8816446000 |
| Assembly | 50 3400 | PLUG | 9560111050 |
| Assembly | 50 3440 | PLUG | 9789400050 |
| Assembly | 50 3450 | PLUG | TM0085G001 |
| Assembly | 50 3460 | SLEEVE | TM0133G001 |
| Assembly | 50 3480 | PLUG | 8000263900 |
| Assembly | 50 3490 | PLUG | 8813753000 |
| Assembly | 60 3060 | PLUG | 8818658000 |
| Assembly | 60 3070 | FEMALE PLUG | 9789141500 |
| Assembly | 60 3140 | PLUG | 8817506000 |
| Assembly | 60 3160 | PLUG, DRAINS | 9789400070 |
| Assembly | 60 3180 | U30 PLUG | 9789400300 |
| Assembly | 60 3320 | PROTECTOR NUT | 8819832000 |
| Cleaning | 20 0010 | TANK, PRESSURE GENERATOR | TM0188G002 |
| Cleaning | 20 0020 | FLOW LIMITER ASSEMBLY | 8819505000 |
| Disassembly | 60 3060 | PLUG | 8818658000 |
| Disassembly | 60 3070 | FEMALE PLUG | 9789141500 |
| Disassembly | 60 3140 | PLUG | 8817506000 |
| Disassembly | 60 3160 | PLUG, DRAINS | 9789400070 |
| Disassembly | 60 3180 | U30 PLUG | 9789400300 |
| Disassembly | 60 3320 | PROTECTOR NUT | 8819832000 |
| Disassembly | 70 3030 | PLUG | TM4575G001 |
| Disassembly | 70 3110 | PLUG | 9789181500 |
| Disassembly | 70 3180 | PLUG | 9789400180 |
| Insp. & Check | 30 0110 | RIGID BORESCOPE DIA. 5 WITH RETICULE | TM0067G001 |
| Insp. & Check | 30 0120 | GUIDE OF BORESCOPE HOSE | 8819369000 |
| Insp. & Check | 30 0130 | HANDLE, SETTING INTO ROTATION | 8814507000 |
| Insp. & Check | 30 0140 | BORESCOPE GUIDE | 8818684000 |
| Insp. & Check | 30 0150 | FLEXIBLE FIBERSCOPE DIA. 5 | 8818329200 |
| Insp. & Check | 30 0160 | BORESCOPIC GUIDE | TM1073G001 |
| Insp. & Check | 30 0280 | SET OF SHIMS | 1780550125 |
| Installation | 50 0010 | ASSEMBLY CONE | TM0466G001 |
| Installation | 50 0020 | INSTALLATION TOOL | 8819849000 |
| Installation | 50 0030 | RETAINING TOOL | TM7670G001 |
| Installation | 50 0040 | RETAINING TOOL | TM7671G001 |
| Installation | 50 0050 | INSTALLATION TOOL | TM7706G001 |
| Installation | 60 0060 | REMOVAL / INSTALLATION TOOL | TM1664G001 |
| Installation | 60 0070 | SET OF 5 MM-THREADED ROD EXTRACTORS | 8810131088 |
| Installation | 60 0120 | HOISTING FORK FITTING ASSEMBLY | 8819323000 |

SAFRAN HELICOPTER ENGINES

ARRIUS 2 F

MAINTENANCE TOOLS CATALOG

| <i>Application</i> | <i>OT No.</i> | <i>Description</i> | <i>SAFRAN HELICOPTER ENGINES P/N</i> |
|--------------------|---------------|---|--|
| Installation | 60 0130 | PIVOTING ADAPTATION | 8819324000 |
| Installation | 60 0140 | PIVOTING ADAPTATION | 8819317000 |
| Installation | 60 0150 | WRENCH | 8819334000 |
| Installation | 60 0160 | REAR CASING SUPPORT | 8818628200 |
| Installation | 60 0170 | RETAINER | 8819384000 |
| Installation | 60 0180 | REMOVAL / INSTALLATION TOOL | TM0630G001 |
| Installation | 60 0190 | REMOVAL / INSTALLATION TOOL | TM0631G001 |
| Installation | 60 0200 | MAGNETIC SEAL REMOVAL/INSTALLATION TOOL | TM0797G002 |
| Installation | 60 0210 | RETAINING AND GUIDING RING | TM0801G002 |
| Installation | 60 0220 | EXTRACTOR | TM1507G001 |
| Installation | 60 0230 | AIR INTAKE PLUG | 8818657000 |
| Installation | 60 0240 | ASSEMBLY SUPPORT | 8818381000 |
| Installation | 60 0250 | STRIPBOARD CUTTER | 9610019070 |
| Installation | 60 0260 | POSITIONING GAUGE | TM4186G001 |
| Installation | 60 0290 | PLUG | 8816854000 |
| Installation | 60 0300 | WRENCH AND RETAINER | 8819375000 |
| Installation | 60 0310 | REMOVAL / INSTALLATION TOOL, VARILIP SEALS | 8819349000 |
| Installation | 60 0320 | HANDLING BOX | 8230896300 |
| Installation | 60 0330 | PT WHEEL REMOVAL/INSTALLATION TOOL | 8818379000 |
| Installation | 60 0340 | POWER TURBINE WHEEL REMOVAL/INSTALLATION TOOL | 8819326000 |
| Installation | 60 0350 | PT WHEEL RUNOUT INSPECTION TOOL | TM0454G001 |
| Installation | 60 0370 | RETAINING RING INSTALLATION TOOL | 8816758000 |
| Installation | 60 0470 | SUPPORT | TM7346G001 |
| Installation | 60 0480 | PLIERS | TM3369G001 |
| Installation | 60 0490 | REMOVAL / INSTALLATION TOOL | 8813379000 |
| Installation | 70 0010 | EXTRACTION MANDREL | 8814482000 |
| Installation | 80 0280 | PLUG | TM5216G001 |
| Other | 90 0010 | VISCOMETER | 8819252000 |
| Removal | 50 0010 | ASSEMBLY CONE | TM0466G001 |
| Removal | 50 0020 | INSTALLATION TOOL | 8819849000 |
| Removal | 50 0030 | RETAINING TOOL | TM7670G001 |
| Removal | 50 0040 | RETAINING TOOL | TM7671G001 |
| Removal | 50 0050 | INSTALLATION TOOL | TM7706G001 |
| Removal | 60 0060 | REMOVAL / INSTALLATION TOOL | TM1664G001 |
| Removal | 60 0070 | SET OF 5 MM-THREADED ROD EXTRACTORS | 8810131088 |
| Removal | 60 0120 | HOISTING FORK FITTING ASSEMBLY | 8819323000 |
| Removal | 60 0130 | PIVOTING ADAPTATION | 8819324000 |
| Removal | 60 0140 | PIVOTING ADAPTATION | 8819317000 |
| Removal | 60 0150 | WRENCH | 8819334000 |
| Removal | 60 0160 | REAR CASING SUPPORT | 8818628200 |
| Removal | 60 0170 | RETAINER | 8819384000 |
| Removal | 60 0180 | REMOVAL / INSTALLATION TOOL | TM0630G001 |
| Removal | 60 0190 | REMOVAL / INSTALLATION TOOL | TM0631G001 |
| Removal | 60 0200 | MAGNETIC SEAL REMOVAL/INSTALLATION TOOL | TM0797G002 |
| Removal | 60 0210 | RETAINING AND GUIDING RING | TM0801G002 |
| Removal | 60 0220 | EXTRACTOR | TM1507G001 |
| Removal | 60 0230 | AIR INTAKE PLUG | 8818657000 |
| Removal | 60 0240 | ASSEMBLY SUPPORT | 8818381000 |
| Removal | 60 0250 | STRIPBOARD CUTTER | 9610019070 |
| Removal | 60 0260 | POSITIONING GAUGE | TM4186G001 |
| Removal | 60 0290 | PLUG | 8816854000 |
| Removal | 60 0300 | WRENCH AND RETAINER | 8819375000 |
| Removal | 60 0310 | REMOVAL / INSTALLATION TOOL, VARILIP SEALS | 8819349000 |
| Removal | 60 0320 | HANDLING BOX | 8230896300 |
| Removal | 60 0330 | PT WHEEL REMOVAL/INSTALLATION TOOL | 8818379000 |

SAFRAN HELICOPTER ENGINES

ARRIUS 2 F

MAINTENANCE TOOLS CATALOG

| <i>Application</i> | <i>OT No.</i> | <i>Description</i> | <i>SAFRAN HELICOPTER ENGINES P/N</i> |
|--------------------|---------------|---|--------------------------------------|
| Removal | 60 0340 | POWER TURBINE WHEEL REMOVAL/INSTALLATION TOOL | 8819326000 |
| Removal | 60 0350 | PT WHEEL RUNOUT INSPECTION TOOL | TM0454G001 |
| Removal | 60 0370 | RETAINING RING INSTALLATION TOOL | 8816758000 |
| Removal | 60 0470 | SUPPORT | TM7346G001 |
| Removal | 60 0480 | PLIERS | TM3369G001 |
| Removal | 60 0490 | REMOVAL / INSTALLATION TOOL | 8813379000 |
| Removal | 70 0010 | EXTRACTION MANDREL | 8814482000 |
| Removal | 80 0280 | PLUG | TM5216G001 |
| Storage | 60 3340 | LIFTING FIXTURES | TM7550G001 |
| Storage | 80 0020 | CONTAINER, BARE REDUCTION GEAR | 8819367000 |
| Storage | 80 0060 | PLUG | 8818641000 |
| Storage | 80 0070 | HOISTING SLING | 8818368000 |
| Storage | 80 0080 | ENGINE MOUNT ASSEMBLY | 8819331000 |
| Storage | 80 0090 | WOOD CONTAINER, SHUTTLE | 8819805000 |
| Storage | 80 0100 | CONTAINER, REDUCTION GEARBOX | 8819823000 |
| Storage | 80 0120 | HANDLING MATCHING | 8819454000 |
| Storage | 80 0130 | DRAINING DEVICE | 8816520000 |
| Storage | 80 0140 | DRAINING DEVICE | TM0310G001 |
| Storage | 80 0150 | HOISTING SLING | TM2812G001 |
| Storage | 80 0180 | BARE METALLIC CONTAINER | 8819212000 |
| Storage | 80 0190 | DRAINING DEVICE | 8818174000 |
| Storage | 80 0230 | SHIPMENT CONTAINER | 8242000000 |
| Storage | 80 0240 | PLUG, AIR INTAKE | TM1646G001 |
| Storage | 80 3010 | ENGINE CONTAINER | TM5780G001 |
| Storage | 80 3030 | CONTAINER, GAS GENERATOR | TM0582G001 |
| Storage | 80 3140 | SHIPMENT BOX | 8242001000 |
| Storage | 80 3160 | PLUG | 8816389000 |
| Storage | 80 3170 | PLUG | TM4574G001 |
| Storage | 80 3240 | PLUG | TM4577G001 |
| Storage | 80 3250 | PLUG | TM4578G001 |
| Storage | 80 3270 | PLUG, OIL | TM4586G001 |
| Storage | 80 3280 | PLUG, THERMOCOUPLE | TM4587G001 |
| Storage | 80 3370 | SHIPMENT CONTAINER | 8242000010 |
| Storage | 80 3390 | SHIPMENT CONTAINER MODULE 1 | 8242000270 |
| Storage | 80 3440 | PLUG | 9789161500 |
| Storage | 80 3450 | PLUG | 9789400220 |
| Storage | 80 3460 | PLUG | TM0086G001 |
| Storage | 80 3480 | PLUG | TM4375G001 |
| Storage | 80 3500 | PLUG | TM4593G001 |
| Tests | 40 0020 | AIRCRAFT POWER SUPPLY CABLE (SMA2.03.10.2B) | 9610068900 |
| Tests | 40 0100 | VIBRATION MEASURING KIT B&K 2513 | 8816694000 |
| Tests | 40 0110 | ACCELEROMETER ENDEVCO 6233C-10 | 9610046360 |
| Tests | 40 0120 | AIRCRAFT POWER SUPPLY CABLE (SMA2.03.10) | 9610064500 |
| Tests | 40 0130 | SYNTHAM 2000.4 + PC | TM0104G012 |
| Tests | 40 0140 | KIT, VIBRATIONS TEST | TM0750G010 |
| Tests | 40 0150 | HARNESS TEST BOX | TM4890G002 |
| Tests | 40 0160 | TEST, HARNESS | TM4894G001 |
| Tests | 40 0170 | SET OF SELF-TEST CONNECTORS | 8819459000 |
| Tests | 40 0180 | HARNESS | 8817367000 |
| Tests | 40 0190 | ADAPTATION UNION | 8819841000 |
| Tests | 40 0200 | HARNESS | 8819840000 |
| Tests | 40 0210 | ADAPTATION UNION | 8819843000 |
| Tests | 40 0220 | HARNESS | 8818341000 |
| Tests | 40 0230 | ADAPTATION UNION | 8819842000 |
| Tests | 40 0240 | HARNESS | 8819391000 |

List by Application

Page 3

00-00-43

Oct. 15/2021

| <i>Application</i> | <i>OT No.</i> | <i>Description</i> | <i>SAFRAN HELICOPTER ENGINES P/N</i> |
|--------------------|---------------|---------------------------------|--|
| Tests | 40 0250 | ADAPTATION UNION | 8818932000 |
| Tests | 40 0260 | HARNESS | 8816492000 |
| Tests | 40 0270 | ADAPTATION UNION | 8818339000 |
| Tests | 40 0280 | HARNESS | 8819393000 |
| Tests | 40 0290 | ADAPTATION UNION | 8818340000 |
| Tests | 40 0300 | HARNESS | 8819394000 |
| Tests | 40 0360 | POCKET, MANOMETER | TM1609G001 |
| Tests | 40 0370 | HYDRAULIC PRESSURE GENERATOR | TM0807G001 |
| Tests | 40 0380 | PIPE | TM1330G001 |
| Tests | 40 0410 | ACCELEROMETER B&K 8324 | 9610017700 |
| Tests | 40 0440 | CHECK TOOL | TM2446G001 |
| Tests | 40 0460 | KIT, VIBRATIONS TEST B&K 3656-A | TM4865G001 |
| Tests | 40 0500 | EQUIPPED HEATING CLAMP | TM5040G001 |
| Tests | 40 0510 | MOULDING | TA5150G001 |
| Tests | 40 0550 | ADAPTER | TM5596G001 |
| Tests | 40 0570 | HARNESS | 8818357000 |
| Tests | 40 0600 | SYNTESTER | 9610064970 |
| Tests | 40 0700 | CONTROL BOX | 8816445000 |

LIST OF CALIBRATION / INSPECTION REQUIREMENT BY OT NUMBER

| <i>OT No.</i> | <i>Description</i> | <i>Periodicity value of calibration / inspection requirement</i> | <i>Responsibility</i> | <i>Functional criteria check</i> |
|---------------|----------------------------------|--|-----------------------|----------------------------------|
| 40 0100 | VIBRATION MEASURING KIT B&K 2513 | 12 | Customer/Subsidiary | N/A |
| 40 0110 | ACCELEROMETER ENDEVCO 6233C-10 | 12 | Customer/Subsidiary | N/A |
| 40 0130 | SYNTHAM 2000.4 + PC | 12 | Customer/Subsidiary | N/A |
| 40 0140 | KIT, VIBRATIONS TEST | 12 | Customer/Subsidiary | N/A |
| 40 0360 | POCKET, MANOMETER | 12 | Customer/Subsidiary | N/A |
| 40 0410 | ACCELEROMETER B&K 8324 | 12 | Customer/Subsidiary | N/A |
| 40 0460 | KIT, VIBRATIONS TEST B&K 3656-A | 12 | Customer/Subsidiary | N/A |
| 60 0120 | HOISTING FORK FITTING ASSEMBLY | 12 | Customer/Subsidiary | N/A |
| 60 0260 | POSITIONING GAUGE | 60 | Customer/Subsidiary | N/A |
| 60 3340 | LIFTING FIXTURES | 12 | Customer/Subsidiary | N/A |
| 80 0070 | HOISTING SLING | 12 | Customer/Subsidiary | N/A |
| 80 0150 | HOISTING SLING | 12 | Customer/Subsidiary | N/A |

PAGE LEFT BLANK INTENTIONALLY

ARRIUS 2 F

LIST OF SAFRAN HELICOPTER ENGINES PART NUMBER RELATIONSHIPS

| SAFRAN HELICOPTER ENGINES P/N | Is superseded by the SAFRAN HELICOPTER ENGINES P/N | Alternate P/N | Supersedes the SAFRAN HELICOPTER ENGINES P/N |
|-------------------------------|--|------------------------|--|
| 1780550125 | | | |
| 8000263900 | | | |
| 8230896300 | | | |
| 8242000000 | | | |
| 8242000010 | | | |
| 8242000270 | | | |
| 8242001000 | | 8242000300, 8242000320 | |
| 8810131088 | | | |
| 8813379000 | | | |
| 8813753000 | | | |
| 8814482000 | | | |
| 8814507000 | | | |
| 8816228000 | | | |
| 8816389000 | | | |
| 8816445000 | | | |
| 8816446000 | | TM7637G001 | |
| 8816492000 | | | |
| 8816520000 | | | 8819450000 |
| 8816694000 | | | |
| 8816758000 | | | |
| 8816854000 | | | |
| 8817102000 | | | |
| 8817367000 | | | |
| 8817506000 | | | |
| 8818174000 | | | |
| 8818329200 | | | |
| 8818339000 | | | |
| 8818340000 | | | |
| 8818341000 | | | |
| 8818357000 | | | |
| 8818368000 | | | |
| 8818379000 | | | |
| 8818381000 | | | |
| 8818628200 | | | |
| 8818641000 | | | |
| 8818656000 | | | |
| 8818657000 | | TM1646G001 | |
| 8818658000 | | | |
| 8818684000 | | | |
| 8818932000 | | | |
| 8819212000 | | | |
| 8819252000 | | | |
| 8819317000 | | | |
| 8819323000 | | | |
| 8819324000 | | | |
| 8819326000 | | | |

SAFRAN HELICOPTER ENGINES

ARRIUS 2 F

MAINTENANCE TOOLS CATALOG

| SAFRAN HELICOPTER ENGINES P/N | <i>Is superseded by the SAFRAN HELICOPTER ENGINES P/N</i> | <i>Alternate P/N</i> | <i>Supersedes the SAFRAN HELICOPTER ENGINES P/N</i> |
|-------------------------------------|---|---------------------------|---|
| 8819331000 | 8816520000 | | |
| 8819334000 | | | |
| 8819349000 | | | |
| 8819367000 | | | |
| 8819369000 | | | |
| 8819375000 | | | |
| 8819384000 | | | |
| 8819391000 | | | |
| 8819393000 | | | |
| 8819394000 | | | |
| 8819450000 | | | |
| 8819454000 | | | |
| 8819459000 | | | |
| 8819505000 | | | |
| 8819805000 | | | |
| 8819823000 | | | |
| 8819830000 | | | |
| 8819832000 | | | |
| 8819840000 | | | |
| 8819841000 | | | |
| 8819842000 | | | |
| 8819843000 | | | |
| 8819849000 | | | |
| 9560111050 | | | |
| 9561490180 | | | |
| 9610017700 | | | |
| 9610019070 | | | |
| 9610046360 | | | |
| 9610064500 | | | |
| 9610064970 | | | |
| 9610068900 | | | |
| 9789141500 | | | |
| 9789161500 | | | |
| 9789181500 | | | |
| 9789400050 | | | |
| 9789400070 | | | |
| 9789400180 | | | |
| 9789400220 | | | |
| 9789400300 | | | |
| TA5150G001 | | | |
| TM0067G001 | | | |
| TM0084G001 | | | |
| TM0085G001 | | | |
| TM0086G001 | | | |
| TM0104G012 | | | |
| TM0133G001 | | | |
| TM0188G002 | | | |
| TM0310G001 | | | |
| | | TM0104G011, TM0104G010 | |
| | | TM0188G001, 8816183000 | |

SAFRAN HELICOPTER ENGINES

ARRIUS 2 F

MAINTENANCE TOOLS CATALOG

| SAFRAN HELICOPTER ENGINES P/N | <i>Is superseded by the SAFRAN HELICOPTER ENGINES P/N</i> | <i>Alternate P/N</i> | <i>Supersedes the SAFRAN HELICOPTER ENGINES P/N</i> |
|-------------------------------|---|---------------------------------------|---|
| TM0454G001 | | | |
| TM0466G001 | | | |
| TM0582G001 | | 8818620000 | |
| TM0630G001 | | | |
| TM0631G001 | | | |
| TM0750G010 | | | |
| TM0797G002 | | TM0797G001 | |
| TM0801G002 | | TM0801G001 | |
| TM0807G001 | | 8818870000 | |
| TM1073G001 | | | |
| TM1330G001 | | | |
| TM1507G001 | | | |
| TM1609G001 | | 8818457000, TM0831G001 | |
| TM1646G001 | | | |
| TM1664G001 | | | |
| TM2446G001 | | | |
| TM2812G001 | | 8818632000, 8818368000, TM6721G001 | |
| TM3369G001 | | | |
| TM4186G001 | | | |
| TM4362G001 | | | |
| TM4375G001 | | | |
| TM4574G001 | | 8816436000 | |
| TM4575G001 | | | |
| TM4577G001 | | TM5542G001 | |
| TM4578G001 | | | |
| TM4582G001 | | | |
| TM4583G001 | | | |
| TM4584G001 | | | |
| TM4585G001 | | | |
| TM4586G001 | | | |
| TM4587G001 | | | |
| TM4588G001 | | | |
| TM4593G001 | | | |
| TM4865G001 | | | |
| TM4890G002 | | 8819925000 | |
| TM4894G001 | | 8819457000 | |
| TM5040G001 | | | |
| TM5216G001 | | | |
| TM5596G001 | | | |
| TM5780G001 | | | |
| TM7346G001 | | | |
| TM7550G001 | | | |
| TM7670G001 | | | |
| TM7671G001 | | | |
| TM7706G001 | | | |

PAGE LEFT BLANK INTENTIONALLY

LIST OF EFFECTIVE PAGES

| <u>OT No.</u> | <u>Description</u> | <u>Pages</u> | <u>Date</u> |
|---------------|---|--------------|------------------------------|
| OT | LIST OF EFFECTIVE PAGES | * 1 - 8 | Oct. 15/2021 |
| 20 0010 | TANK, PRESSURE GENERATOR | 0 1 | Apr. 15/2021 Apr. 15/2021 |
| 20 0020 | FLOW LIMITER ASSEMBLY | 0 1 | Apr. 15/2019 Apr. 15/2019 |
| 30 0110 | RIGID BORESCOPE DIA. 5 WITH RETICULE | 0 1 | Aug. 30/2011 Aug. 30/2011 |
| 30 0120 | GUIDE OF BORESCOPE HOSE | 0 1 | Aug. 30/2011 Aug. 30/2011 |
| 30 0130 | HANDLE, SETTING INTO ROTATION | 0 1 | Aug. 30/2011 Aug. 30/2011 |
| 30 0140 | BORESCOPE GUIDE | 0 1 | Oct. 15/2019 Oct. 15/2019 |
| 30 0150 | FLEXIBLE FIBERSCOPE DIA. 5 | 0 1 | Aug. 30/2011 Aug. 30/2011 |
| 30 0160 | BORESCOPIC GUIDE | 0 1 | Aug. 30/2011 Aug. 30/2011 |
| 30 0280 | SET OF SHIMS | 0 1 | Aug. 30/2011 Aug. 30/2011 |
| 40 0020 | AIRCRAFT POWER SUPPLY CABLE (SMA2.03.10.2B) | * 0 * 1 | Oct. 15/2021 Oct. 15/2021 |
| 40 0100 | VIBRATION MEASURING KIT B&K 2513 | * 0 * 1 | Oct. 15/2021 Oct. 15/2021 |
| 40 0110 | ACCELEROMETER ENDEVCO 6233C-10 | * 0 * 1 | Oct. 15/2021 Oct. 15/2021 |
| 40 0120 | AIRCRAFT POWER SUPPLY CABLE (SMA2.03.10) | 0 1 | Aug. 30/2011 Aug. 30/2011 |
| 40 0130 | SYNTHAM 2000.4 + PC | 0 1 | Apr. 15/2020 Apr. 15/2020 |
| 40 0140 | KIT, VIBRATIONS TEST | * 0 * 1 | Oct. 15/2021 Oct. 15/2021 |
| 40 0150 | HARNESS TEST BOX | 0 1 | Apr. 15/2020 Apr. 15/2020 |

* Page modified following update No. 30

SAFRAN HELICOPTER ENGINES

ARRIUS 2 F

MAINTENANCE TOOLS CATALOG

| <u>OT No.</u> | <u>Description</u> | <u>Pages</u> | <u>Date</u> |
|---------------|------------------------------|--------------|------------------------------|
| 40 0160 | TEST, HARNESS | 0 1 | Aug. 30/2013 Aug. 30/2013 |
| 40 0170 | SET OF SELF-TEST CONNECTORS | 0 1 | Aug. 30/2013 Aug. 30/2013 |
| 40 0180 | HARNESS | 0 1 | Aug. 30/2011 Aug. 30/2011 |
| 40 0190 | ADAPTATION UNION | 0 1 | Aug. 30/2011 Aug. 30/2011 |
| 40 0200 | HARNESS | 0 1 | Aug. 30/2011 Aug. 30/2011 |
| 40 0210 | ADAPTATION UNION | 0 1 | Aug. 30/2011 Aug. 30/2011 |
| 40 0220 | HARNESS | 0 1 | Aug. 30/2011 Aug. 30/2011 |
| 40 0230 | ADAPTATION UNION | 0 1 | Aug. 30/2011 Aug. 30/2011 |
| 40 0240 | HARNESS | 0 1 | Aug. 30/2012 Aug. 30/2012 |
| 40 0250 | ADAPTATION UNION | 0 1 | Aug. 30/2011 Aug. 30/2011 |
| 40 0260 | HARNESS | 0 1 | Aug. 30/2011 Aug. 30/2011 |
| 40 0270 | ADAPTATION UNION | 0 1 | Aug. 30/2011 Aug. 30/2011 |
| 40 0280 | HARNESS | 0 1 | Aug. 30/2012 Aug. 30/2012 |
| 40 0290 | ADAPTATION UNION | 0 1 | Feb. 28/2014 Feb. 28/2014 |
| 40 0300 | HARNESS | 0 1 | Aug. 30/2011 Aug. 30/2011 |
| 40 0360 | POCKET, MANOMETER | 0 1 | Oct. 15/2019 Oct. 15/2019 |
| 40 0370 | HYDRAULIC PRESSURE GENERATOR | 0 1 | Aug. 30/2011 Aug. 30/2011 |
| 40 0380 | PIPE | 0 | Sept. 30/2017 |

* Page modified following update No. 30

SAFRAN HELICOPTER ENGINES

ARRIUS 2 F

MAINTENANCE TOOLS CATALOG

| <u>OT No.</u> | <u>Description</u> | <u>Pages</u> | <u>Date</u> |
|---------------|---------------------------------|--------------|---------------|
| | | 1 | Sept. 30/2017 |
| 40 0410 | ACCELEROMETER B&K 8324 | * 0 | Oct. 15/2021 |
| | | * 1 | Oct. 15/2021 |
| 40 0440 | CHECK TOOL | 0 | Aug. 30/2011 |
| | | 1 | Aug. 30/2011 |
| 40 0460 | KIT, VIBRATIONS TEST B&K 3656-A | * 0 | Oct. 15/2021 |
| | | * 1 | Oct. 15/2021 |
| 40 0500 | EQUIPPED HEATING CLAMP | 0 | Sept. 30/2017 |
| | | 1 | Sept. 30/2017 |
| 40 0510 | MOULDING | 0 | Sept. 30/2017 |
| | | 1 | Sept. 30/2017 |
| 40 0550 | ADAPTER | 0 | Aug. 30/2013 |
| | | 1 | Aug. 30/2013 |
| 40 0570 | HARNESS | 0 | Aug. 30/2013 |
| | | 1 | Aug. 30/2013 |
| 40 0600 | SYNTESTER | * 0 | Oct. 15/2021 |
| | | * 1 | Oct. 15/2021 |
| 40 0700 | CONTROL BOX | 0 | Apr. 15/2019 |
| | | 1 | Apr. 15/2019 |
| 50 0010 | ASSEMBLY CONE | 0 | Apr. 15/2020 |
| | | 1 | Apr. 15/2020 |
| 50 0020 | INSTALLATION TOOL | 0 | Apr. 15/2020 |
| | | 1 | Apr. 15/2020 |
| 50 0030 | RETAINING TOOL | 0 | Apr. 15/2020 |
| | | 1 | Apr. 15/2020 |
| 50 0040 | RETAINING TOOL | 0 | Apr. 15/2020 |
| | | 1 | Apr. 15/2020 |
| 50 0050 | INSTALLATION TOOL | 0 | Apr. 15/2020 |
| | | 1 | Apr. 15/2020 |
| 50 3040 | PLUG | 0 | Apr. 15/2020 |
| | | 1 | Apr. 15/2020 |
| 50 3050 | PLUG | 0 | Sept. 30/2017 |
| | | 1 | Sept. 30/2017 |
| 50 3060 | PLUG | 0 | Apr. 15/2020 |
| | | 1 | Apr. 15/2020 |

* Page modified following update No. 30

SAFRAN HELICOPTER ENGINES

ARRIUS 2 F

MAINTENANCE TOOLS CATALOG

| <u>OT No.</u> | <u>Description</u> | <u>Pages</u> | <u>Date</u> |
|---------------|-------------------------------------|--------------|--------------------------------|
| 50 3080 | PROTECTOR | 0 1 | Sept. 30/2017 Sept. 30/2017 |
| 50 3090 | PLUG | 0 1 | Apr. 15/2020 Apr. 15/2020 |
| 50 3130 | PLUG | 0 1 | Apr. 15/2020 Apr. 15/2020 |
| 50 3140 | PLUG | 0 1 | Apr. 15/2020 Apr. 15/2020 |
| 50 3160 | PLUG | 0 1 | Apr. 15/2020 Apr. 15/2020 |
| 50 3220 | PLUG | 0 1 | Apr. 15/2020 Apr. 15/2020 |
| 50 3230 | PLUG | 0 1 | Apr. 15/2020 Apr. 15/2020 |
| 50 3240 | PLUG | 0 1 | Apr. 15/2020 Apr. 15/2020 |
| 50 3260 | PLUG | 0 1 | Apr. 15/2020 Apr. 15/2020 |
| 50 3340 | PLUG, EXHAUST PIPE | 0 1 | Apr. 15/2021 Apr. 15/2021 |
| 50 3400 | PLUG | 0 1 | Apr. 15/2020 Apr. 15/2020 |
| 50 3440 | PLUG | 0 1 | Sept. 30/2017 Sept. 30/2017 |
| 50 3450 | PLUG | 0 1 | Apr. 15/2020 Apr. 15/2020 |
| 50 3460 | SLEEVE | 0 1 | Sept. 30/2017 Sept. 30/2017 |
| 50 3480 | PLUG | 0 1 | Apr. 15/2020 Apr. 15/2020 |
| 50 3490 | PLUG | 0 1 | Apr. 15/2020 Apr. 15/2020 |
| 60 0060 | REMOVAL / INSTALLATION TOOL | 0 1 | Aug. 30/2011 Aug. 30/2011 |
| 60 0070 | SET OF 5 MM-THREADED ROD EXTRACTORS | 0 | Apr. 15/2020 |

* Page modified following update No. 30

List of Effective Pages

Page 4

OT

Oct. 15/2021

| <u>OT No.</u> | <u>Description</u> | <u>Pages</u> | <u>Date</u> |
|---------------|---|--------------|------------------------------|
| | | 1 | Apr. 15/2020 |
| 60 0120 | HOISTING FORK FITTING ASSEMBLY | 0 1 | Aug. 30/2011 Aug. 30/2011 |
| 60 0130 | PIVOTING ADAPTATION | 0 1 | Oct. 15/2019 Oct. 15/2019 |
| 60 0140 | PIVOTING ADAPTATION | 0 1 | Aug. 30/2011 Aug. 30/2011 |
| 60 0150 | WRENCH | 0 1 | Aug. 30/2011 Aug. 30/2011 |
| 60 0160 | REAR CASING SUPPORT | 0 1 | Aug. 30/2011 Aug. 30/2011 |
| 60 0170 | RETAINER | 0 1 | Aug. 30/2011 Aug. 30/2011 |
| 60 0180 | REMOVAL / INSTALLATION TOOL | 0 1 | Aug. 30/2011 Aug. 30/2011 |
| 60 0190 | REMOVAL / INSTALLATION TOOL | 0 1 | Aug. 30/2012 Aug. 30/2012 |
| 60 0200 | MAGNETIC SEAL REMOVAL/INSTALLATION TOOL | 0 1 | Apr. 15/2018 Apr. 15/2018 |
| 60 0210 | RETAINING AND GUIDING RING | 0 1 | Aug. 30/2011 Aug. 30/2011 |
| 60 0220 | EXTRACTOR | 0 1 | Aug. 30/2011 Aug. 30/2011 |
| 60 0230 | AIR INTAKE PLUG | 0 1 | Apr. 15/2020 Apr. 15/2020 |
| 60 0240 | ASSEMBLY SUPPORT | 0 1 | Aug. 30/2011 Aug. 30/2011 |
| 60 0250 | STRIPBOARD CUTTER | 0 1 | Aug. 30/2012 Aug. 30/2012 |
| 60 0260 | POSITIONING GAUGE | 0 1 | Apr. 15/2018 Apr. 15/2018 |
| 60 0290 | PLUG | 0 1 | Apr. 15/2020 Apr. 15/2020 |
| 60 0300 | WRENCH AND RETAINER | 0 1 | Aug. 30/2011 Aug. 30/2011 |

* Page modified following update No. 30

SAFRAN HELICOPTER ENGINES

ARRIUS 2 F

MAINTENANCE TOOLS CATALOG

| <u>OT No.</u> | <u>Description</u> | <u>Pages</u> | <u>Date</u> |
|---------------|---|--------------|--------------------------------|
| 60 0310 | REMOVAL / INSTALLATION TOOL, VARILIP SEALS | 0 1 | Aug. 30/2011 Aug. 30/2011 |
| 60 0320 | HANDLING BOX | 0 1 | Aug. 30/2011 Aug. 30/2011 |
| 60 0330 | PT WHEEL REMOVAL/INSTALLATION TOOL | 0 1 | Aug. 30/2011 Aug. 30/2011 |
| 60 0340 | POWER TURBINE WHEEL REMOVAL/INSTALLATION TOOL | 0 1 | Aug. 30/2011 Aug. 30/2011 |
| 60 0350 | PT WHEEL RUNOUT INSPECTION TOOL | 0 1 | Aug. 30/2011 Aug. 30/2011 |
| 60 0370 | RETAINING RING INSTALLATION TOOL | 0 1 | Aug. 30/2011 Aug. 30/2012 |
| 60 0470 | SUPPORT | 0 1 | Apr. 15/2020 Apr. 15/2020 |
| 60 0480 | PLIERS | 0 1 | Apr. 15/2020 Apr. 15/2020 |
| 60 0490 | REMOVAL / INSTALLATION TOOL | 0 1 | Apr. 15/2020 Apr. 15/2020 |
| 60 3060 | PLUG | 0 1 | Apr. 15/2020 Apr. 15/2020 |
| 60 3070 | FEMALE PLUG | 0 1 | Sept. 30/2017 Sept. 30/2017 |
| 60 3140 | PLUG | 0 1 | Apr. 15/2020 Apr. 15/2020 |
| 60 3160 | PLUG, DRAINS | 0 1 | Apr. 15/2020 Apr. 15/2020 |
| 60 3180 | U30 PLUG | 0 1 | Sept. 30/2017 Sept. 30/2017 |
| 60 3320 | PROTECTOR NUT | 0 1 | Sept. 30/2017 Sept. 30/2017 |
| 60 3340 | LIFTING FIXTURES | 0 1 | Apr. 15/2020 Apr. 15/2020 |
| 70 0010 | EXTRACTION MANDREL | 0 1 | Apr. 15/2020 Apr. 15/2020 |
| 70 3030 | PLUG | 0 | Apr. 15/2020 |

* Page modified following update No. 30

List of Effective Pages

Page 6

OT

Oct. 15/2021

SAFRAN HELICOPTER ENGINES

ARRIUS 2 F

MAINTENANCE TOOLS CATALOG

| <u>OT No.</u> | <u>Description</u> | <u>Pages</u> | <u>Date</u> |
|---------------|--------------------------------|--------------|---------------|
| | | 1 | Apr. 15/2020 |
| 70 3110 | PLUG | 0 | Apr. 15/2020 |
| | | 1 | Apr. 15/2020 |
| 70 3180 | PLUG | 0 | Apr. 15/2020 |
| | | 1 | Apr. 15/2020 |
| 80 0020 | CONTAINER, BARE REDUCTION GEAR | 0 | Apr. 15/2020 |
| | | 1 | Apr. 15/2020 |
| 80 0060 | PLUG | 0 | Apr. 15/2020 |
| | | 1 | Apr. 15/2020 |
| 80 0070 | HOISTING SLING | 0 | Aug. 30/2011 |
| | | 1 | Aug. 30/2011 |
| 80 0080 | ENGINE MOUNT ASSEMBLY | 0 | Apr. 15/2020 |
| | | 1 | Apr. 15/2020 |
| 80 0090 | WOOD CONTAINER, SHUTTLE | 0 | Aug. 30/2011 |
| | | 1 | Aug. 30/2011 |
| 80 0100 | CONTAINER, REDUCTION GEARBOX | 0 | Apr. 15/2020 |
| | | 1 | Apr. 15/2020 |
| 80 0120 | HANDLING MATCHING | 0 | Oct. 15/2019 |
| | | 1 | Oct. 15/2019 |
| 80 0130 | DRAINING DEVICE | 0 | Apr. 15/2018 |
| | | 1 | Apr. 15/2018 |
| 80 0140 | DRAINING DEVICE | 0 | Apr. 15/2018 |
| | | 1 | Apr. 15/2018 |
| 80 0150 | HOISTING SLING | * 0 | Oct. 15/2021 |
| | | * 1 | Oct. 15/2021 |
| 80 0180 | BARE METALLIC CONTAINER | 0 | Aug. 30/2014 |
| | | 1 | Aug. 30/2014 |
| 80 0190 | DRAINING DEVICE | 0 | Oct. 15/2019 |
| | | 1 | Oct. 15/2019 |
| 80 0230 | SHIPMENT CONTAINER | 0 | Sept. 30/2017 |
| | | 1 | Sept. 30/2017 |
| 80 0240 | PLUG, AIR INTAKE | 0 | Apr. 15/2020 |
| | | 1 | Apr. 15/2020 |
| 80 0280 | PLUG | 0 | Apr. 15/2020 |
| | | 1 | Apr. 15/2020 |

* Page modified following update No. 30

SAFRAN HELICOPTER ENGINES

ARRIUS 2 F

MAINTENANCE TOOLS CATALOG

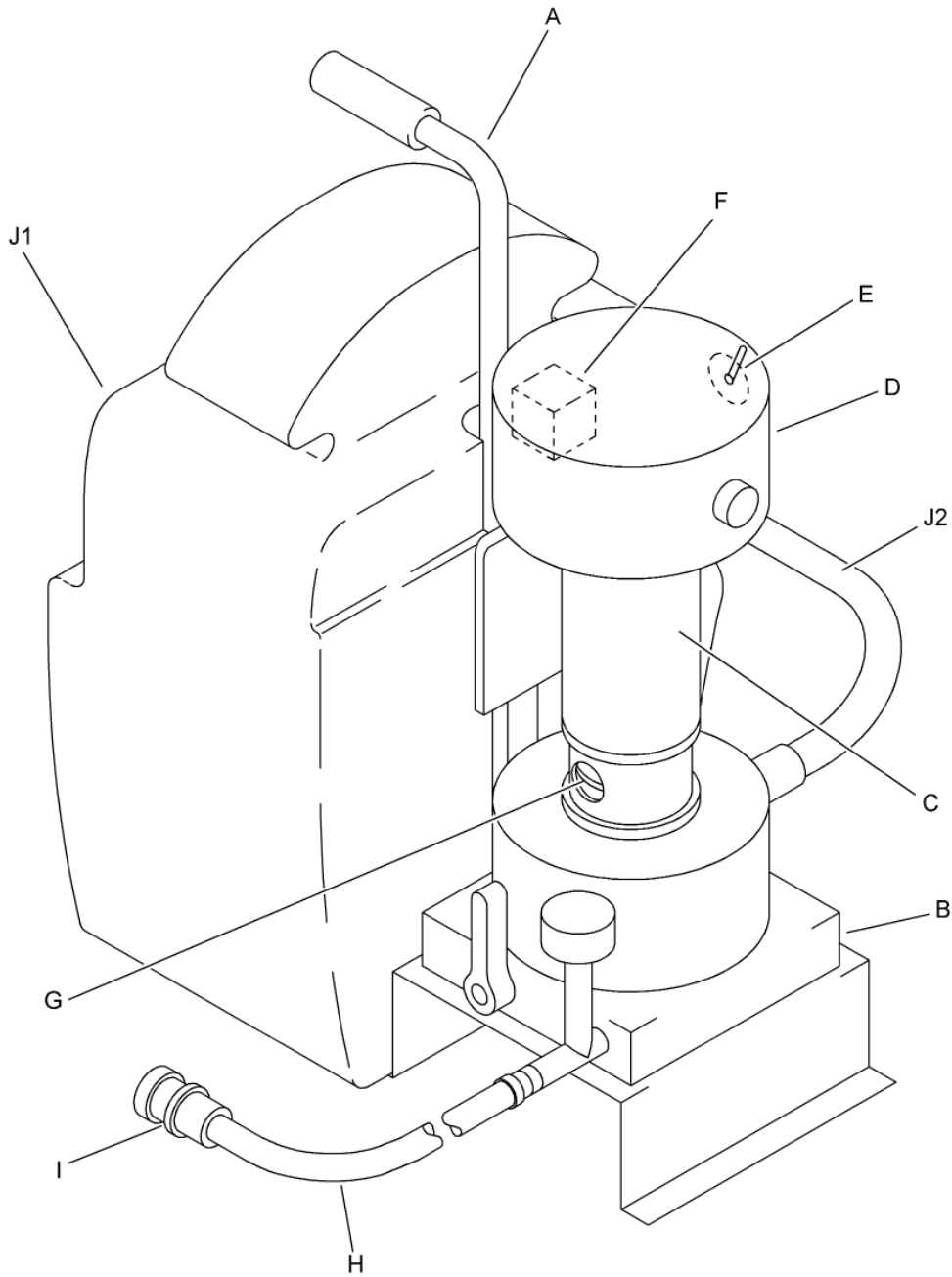
| <u>OT No.</u> | <u>Description</u> | <u>Pages</u> | <u>Date</u> |
|---------------|-----------------------------|--------------|--------------------------------|
| 80 3010 | ENGINE CONTAINER | 0 1 | Sept. 30/2017 Sept. 30/2017 |
| 80 3030 | CONTAINER, GAS GENERATOR | 0 1 | Apr. 15/2020 Apr. 15/2020 |
| 80 3140 | SHIPMENT BOX | 0 1 | Apr. 15/2020 Apr. 15/2020 |
| 80 3160 | PLUG | 0 1 | Apr. 15/2020 Apr. 15/2020 |
| 80 3170 | PLUG | 0 1 | Apr. 15/2020 Apr. 15/2020 |
| 80 3240 | PLUG | 0 1 | Apr. 15/2020 Apr. 15/2020 |
| 80 3250 | PLUG | 0 1 | Apr. 15/2020 Apr. 15/2020 |
| 80 3270 | PLUG, OIL | 0 1 | Apr. 15/2020 Apr. 15/2020 |
| 80 3280 | PLUG, THERMOCOUPLE | 0 1 | Apr. 15/2020 Apr. 15/2020 |
| 80 3370 | SHIPMENT CONTAINER | 0 1 | Sept. 30/2017 Sept. 30/2017 |
| 80 3390 | SHIPMENT CONTAINER MODULE 1 | 0 1 | Oct. 15/2019 Oct. 15/2019 |
| 80 3440 | PLUG | 0 1 | Sept. 30/2017 Sept. 30/2017 |
| 80 3450 | PLUG | 0 1 | Sept. 30/2017 Sept. 30/2017 |
| 80 3460 | PLUG | 0 1 | Apr. 15/2020 Apr. 15/2020 |
| 80 3480 | PLUG | 0 1 | Apr. 15/2020 Apr. 15/2020 |
| 80 3500 | PLUG | 0 1 | Apr. 15/2020 Apr. 15/2020 |
| 90 0010 | VISCOMETER | 0 1 | Aug. 30/2011 Aug. 30/2011 |

* Page modified following update No. 30

ILLUSTRATED TOOLS LIST

TM0188G002

Description: TANK, PRESSURE GENERATOR



SAFRAN HELICOPTER ENGINES

ARRIUS 2 F

MAINTENANCE TOOLS CATALOG

| Description | Part Number |
|--------------------------|-------------|
| TANK, PRESSURE GENERATOR | TM0188G002 |

| |
|------------------------------------|
| <i>This tool replaces the tool</i> |
|------------------------------------|

| Supply code | Calibration frequency | Functional criteria check |
|-------------|-----------------------|---------------------------|
| 3 - 2 | N/A | N/A |

| | |
|------------|--|
| Use | Tool used to rinsing and cleaning the centrifugal compressor. It is connected to the pipe installed on the engine. |
|------------|--|

| | |
|--------------------------|---|
| Use particularity | The tool is equipped with standard (electrical, hydraulic) connectors. An adaptation may be necessary to connect to the (electrical, hydraulic) interfaces specific to each airframe. |
|--------------------------|---|

| Alternate | Part Number | Description |
|-----------|------------------------|--------------------------|
| | TM0188G001, 8816183000 | TANK, PRESSURE GENERATOR |

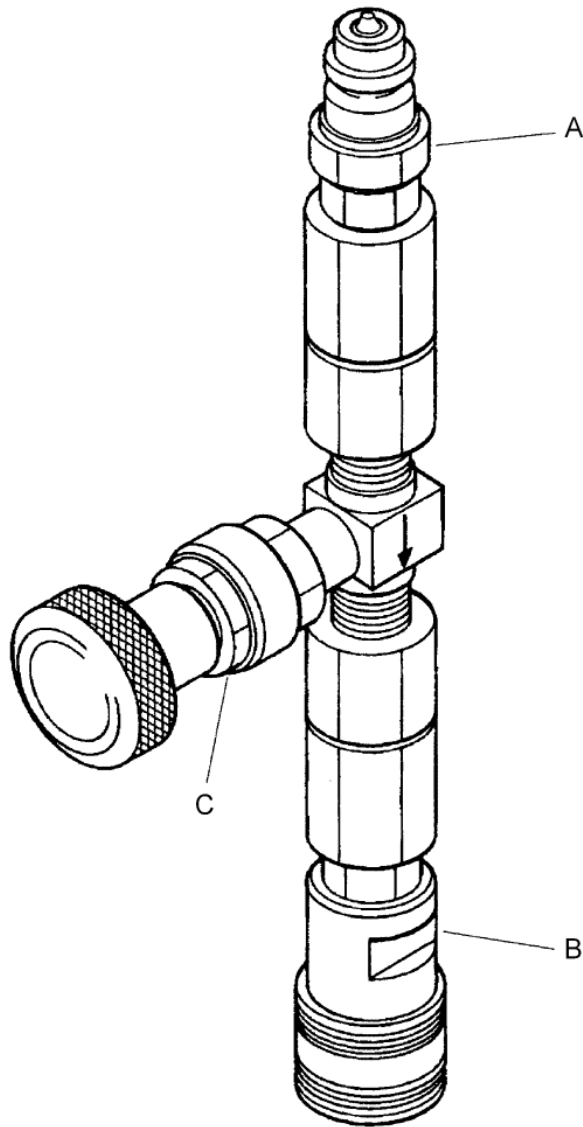
| TOOL | | | | P/N | DESCRIPTION | QTY |
|-----------|------|------|--|------------|------------------------------|-----|
| OT No. | Ind. | Ind. | | 1 2 3 | | |
| 20 0010 | | | | TM0188G002 | TANK, PRESSURE GENERATOR | 1 |
| 20 0010 | A | | | TM0188P132 | . CHASSIS | 1 |
| 20 0010 | B | | | TM0188P102 | . PUMP | 1 |
| 20 0010 | C | | | TM0188P133 | . ELECTRIC MOTOR | 1 |
| 20 0010 | D | | | TM0188P105 | . COVER | 1 |
| 20 0010 | E | | | TM0188P126 | . SWITCH (LS-1806158) | 1 |
| 20 0010 | F | | | TM0188P127 | . RELAY 24V-20A (LS-1806160) | 1 |
| 20 0010 | G | | | TM0188P123 | . COUPLING (LS-1806213) | 1 |
| 20 0010 | H | | | TM0188P103 | . EQUIPPED PIPE | 1 |
| 20 0010 | I | | | 9560153370 | . ADAPTOR | 1 |
| - 20 0010 | J | | | TM0188G201 | . EQUIPPED TANK | 1 |
| 20 0010 | J | 1 | | TM0188P202 | . . TANK | 1 |
| 20 0010 | J | 2 | | TM0188P201 | . . EQUIPPED PIPE | 1 |

- ITEM NOT ILLUSTRATED

NP NON PROCURABLE

8819505000

Description: FLOW LIMITER ASSEMBLY



SAFRAN HELICOPTER ENGINES

ARRIUS 2 F

MAINTENANCE TOOLS CATALOG

| <i>Description</i> | <i>Part Number</i> |
|------------------------------|--------------------|
| FLOW LIMITER ASSEMBLY | 8819505000 |

| |
|------------------------------------|
| <i>This tool replaces the tool</i> |
|------------------------------------|

| <i>Supply code</i> | <i>Calibration frequency</i> | <i>Functional criteria check</i> |
|--------------------|------------------------------|----------------------------------|
| 3 - 2 | N/A | N/A |

| | |
|------------|---|
| Use | Tool used for engine rinsing and cleaning procedures. |
|------------|---|

| | |
|--------------------------|--|
| Use particularity | |
|--------------------------|--|

| <i>Alternate</i> | <i>Part Number</i> | <i>Description</i> |
|------------------|--------------------|--------------------|
| | | |

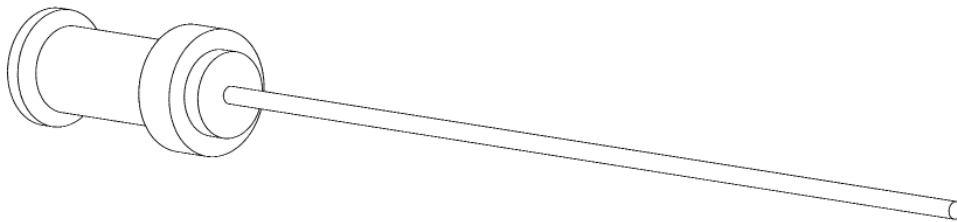
| TOOL | | | | P/N | DESCRIPTION | QTY |
|---------|------|------|------------|--------------------------|-------------|-----|
| OT No. | Ind. | Ind. | | 1 2 3 | | |
| 20 0020 | | | 8819505000 | FLOW LIMITER ASSEMBLY | | 1 |
| 20 0020 | A | | 9560153380 | . UNION WITH MALE ENDS | | 1 |
| 20 0020 | B | | 9560153370 | . UNION WITH FEMALE ENDS | | 1 |
| 20 0020 | C | | 8819505005 | . VALVE, FINE TRIMMING | | 1 |

- ITEM NOT ILLUSTRATED

NP NON PROCURABLE

TM0067G001

Description: RIGID BORESCOPE DIA. 5 WITH RETICULE



TURBOMECA ARRIUS 2 F

MAINTENANCE TOOLS CATALOG

| <i>Description</i> | <i>Part Number</i> |
|---|--------------------|
| RIGID BORESCOPE DIA. 5 WITH RETICULE | TM0067G001 |

| |
|------------------------------------|
| <i>This tool replaces the tool</i> |
|------------------------------------|

| <i>Supply code</i> | <i>Calibration frequency</i> | <i>Functional criteria check</i> |
|--------------------|------------------------------|----------------------------------|
| 3 - 2 | N/A | N/A |

| | |
|------------|---|
| Use | Tool with reticule used for borescopic inspection of the centrifugal compressor |
|------------|---|

| | |
|--------------------------|--|
| Use particularity | |
|--------------------------|--|

| <i>Alternate</i> | <i>Part Number</i> | <i>Description</i> |
|------------------|--------------------|--------------------|
| | | |

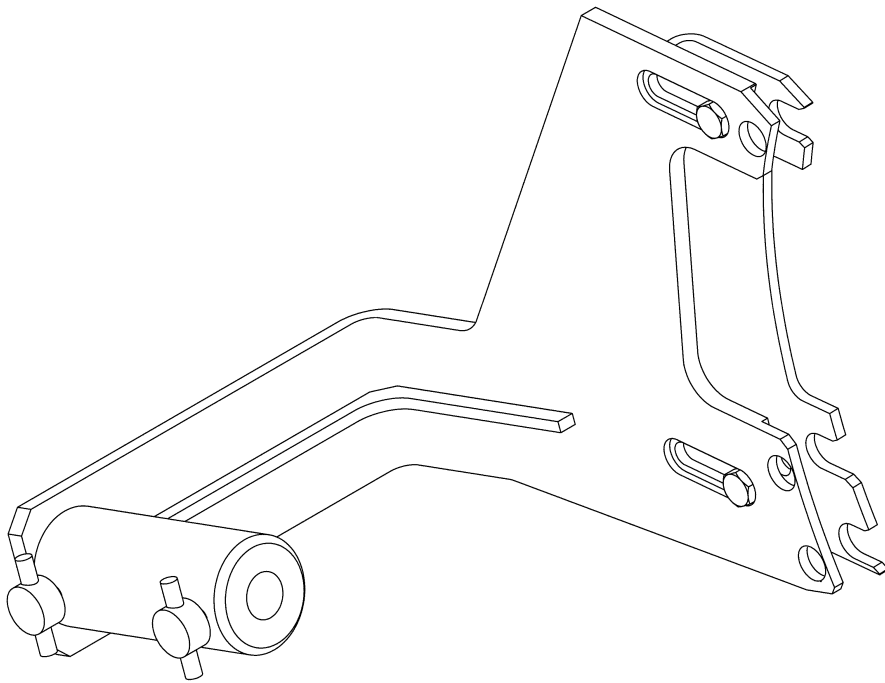
| TOOL | | | | P/N | DESCRIPTION | QTY |
|---------|------|------|-------|------------|--------------------------------------|-----|
| OT No. | Ind. | Ind. | 1 2 3 | | | |
| 30 0110 | | | | TM0067G001 | RIGID BORESCOPE DIA. 5 WITH RETICULE | 1 |

- ITEM NOT ILLUSTRATED

NP NON PROCURABLE

8819369000

Description: GUIDE OF BORESCOPE HOSE



TURBOMECA ARRIUS 2 F

MAINTENANCE TOOLS CATALOG

| <i>Description</i> | <i>Part Number</i> |
|--------------------------------|--------------------|
| GUIDE OF BORESCOPE HOSE | 8819369000 |

| |
|------------------------------------|
| <i>This tool replaces the tool</i> |
|------------------------------------|

| <i>Supply code</i> | <i>Calibration frequency</i> | <i>Functional criteria check</i> |
|--------------------|------------------------------|----------------------------------|
| 3 - 2 | N/A | N/A |

| <i>Use</i> | Attached to the intermediate casing flange/turbine casing, this tool is use to guide the borescope hose to examine the centrifugal impeller through the air intake. |
|------------|---|
|------------|---|

| <i>Use particularity</i> | |
|--------------------------|--|
|--------------------------|--|

| <i>Alternate</i> | <i>Part Number</i> | <i>Description</i> |
|------------------|--------------------|--------------------|
| | | |

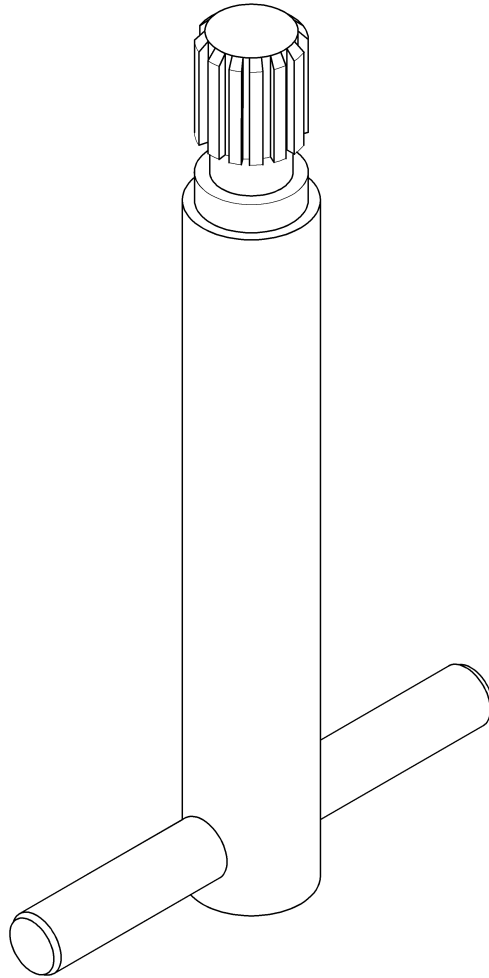
| TOOL | | | | P/N | DESCRIPTION | QTY |
|---------|------|------|------------|-------------------------|-------------|-----|
| OT No. | Ind. | Ind. | | 1 2 3 | | |
| 30 0120 | | | 8819369000 | GUIDE OF BORESCOPE HOSE | | 1 |

- ITEM NOT ILLUSTRATED

NP NON PROCURABLE

8814507000

Description: HANDLE, SETTING INTO ROTATION



SAFRAN HELICOPTER ENGINES

ARRIUS 2 F

MAINTENANCE TOOLS CATALOG

| <i>Description</i> | <i>Part Number</i> |
|-------------------------------|--------------------|
| HANDLE, SETTING INTO ROTATION | 8814507000 |

| |
|------------------------------------|
| <i>This tool replaces the tool</i> |
|------------------------------------|

| <i>Supply code</i> | <i>Calibration frequency</i> | <i>Functional criteria check</i> |
|--------------------|------------------------------|----------------------------------|
| 3 - 2 | N/A | N/A |

| | |
|------------|--|
| Use | Tool used for the setting into rotation of the accessory drive system by the starter gear to ease the gearing of the breather gear with the gas-generator driving gear during the reduction-gear modular assembly. |
|------------|--|

| | |
|--------------------------|--|
| Use particularity | |
|--------------------------|--|

| <i>Alternate</i> | <i>Part Number</i> | <i>Description</i> |
|------------------|--------------------|--------------------|
| | | |

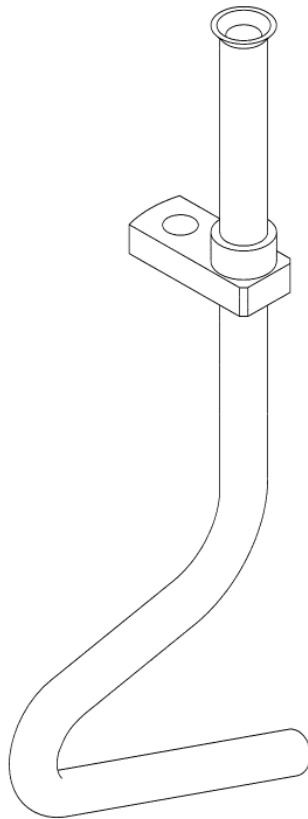
| TOOL | | | | P/N | DESCRIPTION | QTY |
|---------|------|------|------------|-------|-------------------------------|-----|
| OT No. | Ind. | Ind. | | 1 2 3 | | |
| 30 0130 | | | 8814507000 | | HANDLE, SETTING INTO ROTATION | 1 |

- ITEM NOT ILLUSTRATED

NP NON PROCURABLE

8818684000

Description: BORESCOPE GUIDE



SAFRAN HELICOPTER ENGINES

ARRIUS 2 F

MAINTENANCE TOOLS CATALOG

| <i>Description</i> | <i>Part Number</i> |
|------------------------|--------------------|
| BORESCOPE GUIDE | 8818684000 |

| |
|------------------------------------|
| <i>This tool replaces the tool</i> |
|------------------------------------|

| <i>Supply code</i> | <i>Calibration frequency</i> | <i>Functional criteria check</i> |
|--------------------|------------------------------|----------------------------------|
| 3 - 2 | N/A | N/A |

| <i>Use</i> | Tool used for guiding a fiberscope dia.5 for the borescopic inspection of the HP turbine |
|------------|--|
|------------|--|

| <i>Use particularity</i> | |
|--------------------------|--|
|--------------------------|--|

| <i>Alternate</i> | <i>Part Number</i> | <i>Description</i> |
|------------------|--------------------|--------------------|
| | | |

| | TOOL | | | P/N | DESCRIPTION | QTY |
|---|---------|------|------|------------|-----------------|-----|
| | OT No. | Ind. | Ind. | | | |
| I | 30 0140 | | | 8818684000 | BORESCOPE GUIDE | 1 |

- ITEM NOT ILLUSTRATED

NP NON PROCURABLE

| | |
|-------------------|--|
| 8818329200 | <i>Description: FLEXIBLE FIBERSCOPE DIA. 5</i> |
|-------------------|--|

NON ILLUSTRATED TOOL

TURBOMECA ARRIUS 2 F

MAINTENANCE TOOLS CATALOG

| <i>Description</i> | <i>Part Number</i> |
|----------------------------|--------------------|
| FLEXIBLE FIBERSCOPE DIA. 5 | 8818329200 |

| |
|------------------------------------|
| <i>This tool replaces the tool</i> |
|------------------------------------|

| <i>Supply code</i> | <i>Calibration frequency</i> | <i>Functional criteria check</i> |
|--------------------|------------------------------|----------------------------------|
| 3 - 2 | N/A | N/A |

| <i>Use</i> | Flexible fiberscope dia. 5 for borescopic inspection. |
|------------|---|
|------------|---|

| <i>Use particularity</i> | |
|--------------------------|--|
|--------------------------|--|

| <i>Alternate</i> | <i>Part Number</i> | <i>Description</i> |
|------------------|--------------------|--------------------|
| | | |

| | TOOL | | | P/N | DESCRIPTION | QTY |
|---|---------|------|------|------------|----------------------------|-----|
| | OT No. | Ind. | Ind. | | | |
| - | 30 0150 | | | 8818329200 | FLEXIBLE FIBERSCOPE DIA. 5 | 1 |

- ITEM NOT ILLUSTRATED

NP NON PROCURABLE

TURBOMECA ARRIUS 2 F

MAINTENANCE TOOLS CATALOG

TM1073G001

Description: BORESCOPIC GUIDE

NON ILLUSTRATED TOOL

TURBOMECA ARRIUS 2 F

MAINTENANCE TOOLS CATALOG

| <i>Description</i> | | <i>Part Number</i> | | | | |
|------------------------------------|--|----------------------------------|--------------------|------------|------------------|-----|
| BORESCOPIC GUIDE | | TM1073G001 | | | | |
| <i>This tool replaces the tool</i> | | | | | | |
| <i>Supply code</i> | <i>Calibration frequency</i> | <i>Functional criteria check</i> | | | | |
| 3 - 2 | N/A | N/A | | | | |
| <i>Use</i> | Used to guide a fiberscope dia. 5 for the borescopic inspection of the centrifugal compressor. | | | | | |
| <i>Use particularity</i> | | | | | | |
| <i>Alternate</i> | <i>Part Number</i> | | <i>Description</i> | | | |
| | | | | | | |
| TOOL | | | | | | |
| | OT No. | Ind. | Ind. | P/N | DESCRIPTION | QTY |
| - | 30 0160 | | | TM1073G001 | BORESCOPIC GUIDE | 1 |
| - | 30 0160 | A | | TM1073P001 | TUBE | 1 |

- ITEM NOT ILLUSTRATED

NP NON PROCURABLE

TURBOMECA ARRIUS 2 F

MAINTENANCE TOOLS CATALOG

1780550125

Description: SET OF SHIMS

NON ILLUSTRATED TOOL

SAFRAN HELICOPTER ENGINES

ARRIUS 2 F

MAINTENANCE TOOLS CATALOG

| | |
|---------------------|--------------------|
| <i>Description</i> | <i>Part Number</i> |
| SET OF SHIMS | 1780550125 |

| |
|------------------------------------|
| <i>This tool replaces the tool</i> |
|------------------------------------|

| | | |
|--------------------|------------------------------|----------------------------------|
| <i>Supply code</i> | <i>Calibration frequency</i> | <i>Functional criteria check</i> |
| 3 - 2 | N/A | N/A |

| | |
|------------|--|
| <i>Use</i> | |
|------------|--|

| | |
|--------------------------|--|
| <i>Use particularity</i> | |
|--------------------------|--|

| | | |
|------------------|--------------------|--------------------|
| <i>Alternate</i> | <i>Part Number</i> | <i>Description</i> |
| | | |

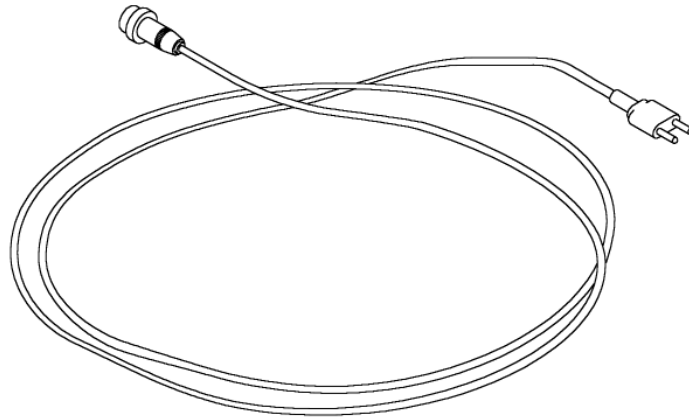
| | TOOL | | | P/N | DESCRIPTION | QTY |
|---|---------|------|------|------------|-----------------------|-----|
| | OT No. | Ind. | Ind. | | | |
| - | 30 0280 | | | 1780550125 | 1 2 3 SET OF SHIMS | 1 |

- ITEM NOT ILLUSTRATED

NP NON PROCURABLE

9610068900

Description: AIRCRAFT POWER SUPPLY CABLE (SMA2.03.10.2B)



SAFRAN HELICOPTER ENGINES

ARRIUS 2 F

MAINTENANCE TOOLS CATALOG

| <i>Description</i> | <i>Part Number</i> |
|---|--------------------|
| AIRCRAFT POWER SUPPLY CABLE (SMA2.03.10.2B) | 9610068900 |

| |
|------------------------------------|
| <i>This tool replaces the tool</i> |
|------------------------------------|

| <i>Supply code</i> | <i>Calibration frequency</i> | <i>Functional criteria check</i> |
|--------------------|------------------------------|----------------------------------|
| 3 - 2 | N/A | N/A |

| <i>Use</i> | Power supply cable 28V (aircraft services) of the tool TM0104G012 |
|------------|---|
|------------|---|

| <i>Use particularity</i> | |
|--------------------------|--|
|--------------------------|--|

| <i>Alternate</i> | <i>Part Number</i> | <i>Description</i> |
|------------------|--------------------|--------------------|
| | | |

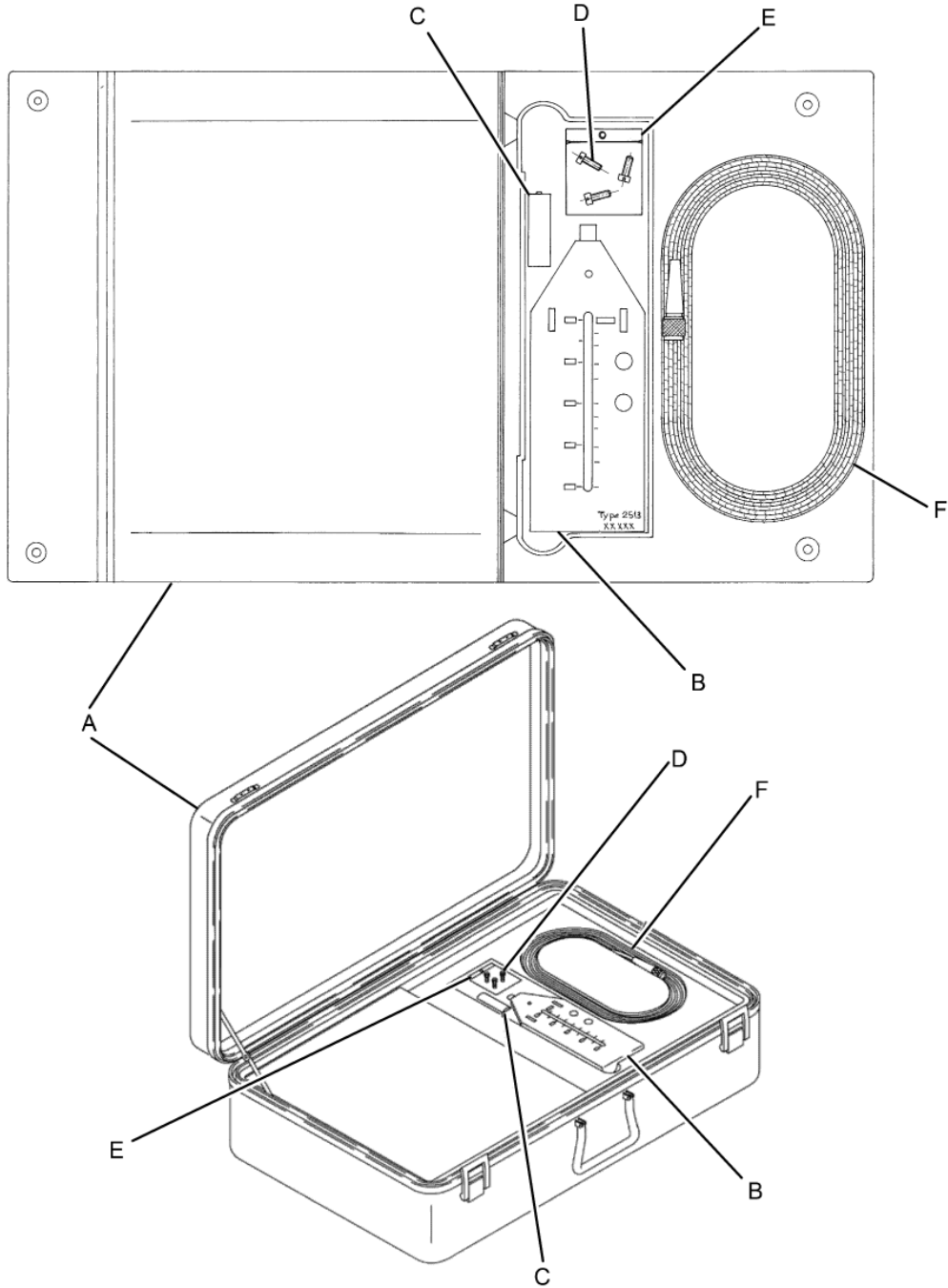
| | TOOL | | | P/N | DESCRIPTION | QTY |
|---|---------|------|------|------------|---|-----|
| | OT No. | Ind. | Ind. | | | |
| I | 40 0020 | | | 9610068900 | AIRCRAFT POWER SUPPLY CABLE (SMA2.03.10.2B) | 1 |

- ITEM NOT ILLUSTRATED

NP NON PROCURABLE

8816694000

Description: VIBRATION MEASURING KIT B&K 2513



| <i>Description</i> | <i>Part Number</i> |
|----------------------------------|--------------------|
| VIBRATION MEASURING KIT B&K 2513 | 8816694000 |

| |
|------------------------------------|
| <i>This tool replaces the tool</i> |
|------------------------------------|

| <i>Supply code</i> | <i>Calibration frequency</i> | <i>Functional criteria check</i> |
|--------------------|------------------------------|----------------------------------|
| 3 - 1 | 12 | N/A |

| | |
|--------------------------|--|
| <i>Use</i> | Tool used for the check of the vibratory level of the engine |
| <i>Use particularity</i> | |

| <i>Alternate</i> | <i>Part Number</i> | <i>Description</i> |
|------------------|--------------------|--------------------|
| | | |

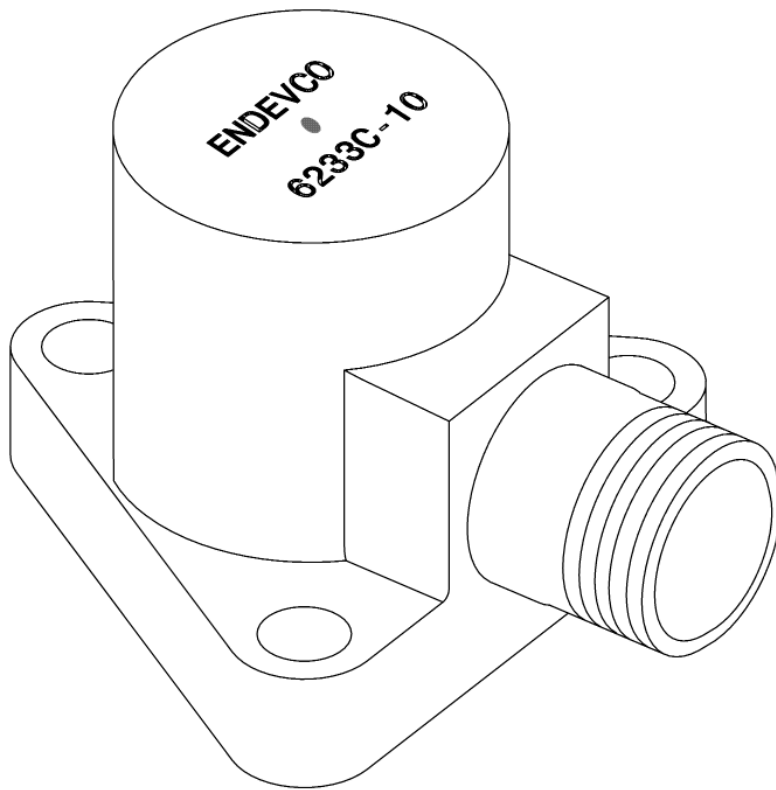
| | TOOL | | | P/N | DESCRIPTION | QTY |
|--|---------|------|------|------------|--|-----|
| | OT No. | Ind. | Ind. | | | |
| | 40 0100 | | | 8816694000 | VIBRATION MEASURING KIT B&K 2513 | 1 |
| | 40 0100 | A | | 8816694107 | . PROTECTION BAG | 1 |
| | 40 0100 | B | | 8816694101 | . VIBROMETER TYPE B&K 2513, MODIFICATION BKF0058 | 1 |
| | 40 0100 | C | | 9542110520 | . BATTERY R6 1,5V | 1 |
| | 40 0100 | D | | 9848401229 | . SCREW CHC M4X12 | 3 |
| | 40 0100 | E | | 9678400120 | . VINYL POCKET 45x120 | 1 |
| | 40 0100 | F | | 8816694103 | . ACCELEROMETER CABLE B&K WL0748 | 1 |

- ITEM NOT ILLUSTRATED

NP NON PROCURABLE

9610046360

Description: ACCELEROMETER ENDEVCO 6233C-10



SAFRAN HELICOPTER ENGINES

ARRIUS 2 F

MAINTENANCE TOOLS CATALOG

| <i>Description</i> | <i>Part Number</i> |
|---------------------------------------|--------------------|
| ACCELEROMETER ENDEVCO 6233C-10 | 9610046360 |

| |
|------------------------------------|
| <i>This tool replaces the tool</i> |
|------------------------------------|

| <i>Supply code</i> | <i>Calibration frequency</i> | <i>Functional criteria check</i> |
|--------------------|------------------------------|----------------------------------|
| 3 - 1 | 12 | N/A |

| | |
|------------|--|
| Use | Tool used for the check of the vibratory level of the engine |
|------------|--|

| | |
|--------------------------|--|
| Use particularity | |
|--------------------------|--|

| <i>Alternate</i> | <i>Part Number</i> | <i>Description</i> |
|------------------|--------------------|--------------------|
| | | |

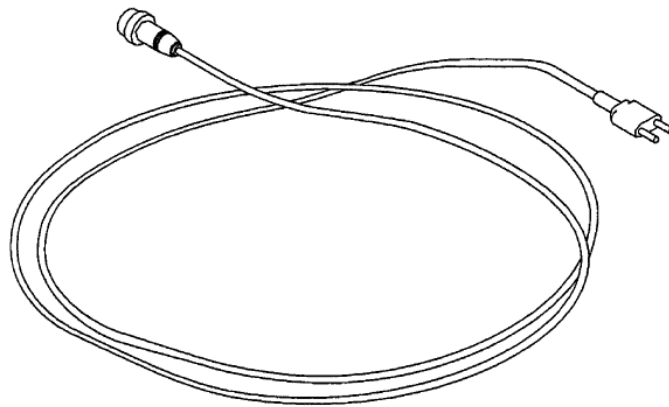
| | TOOL | | | P/N | DESCRIPTION | QTY |
|---|---------|------|------|------------|--------------------------------|-----|
| | OT No. | Ind. | Ind. | | | |
| I | 40 0110 | | | 9610046360 | ACCELEROMETER ENDEVCO 6233C-10 | 1 |

- ITEM NOT ILLUSTRATED

NP NON PROCURABLE

9610064500

Description: AIRCRAFT POWER SUPPLY CABLE (SMA2.03.10)



SAFRAN HELICOPTER ENGINES

ARRIUS 2 F

MAINTENANCE TOOLS CATALOG

| <i>Description</i> | <i>Part Number</i> |
|---|--------------------|
| AIRCRAFT POWER SUPPLY CABLE (SMA2.03.10) | 9610064500 |

| |
|------------------------------------|
| <i>This tool replaces the tool</i> |
|------------------------------------|

| <i>Supply code</i> | <i>Calibration frequency</i> | <i>Functional criteria check</i> |
|--------------------|------------------------------|----------------------------------|
| 3 - 2 | N/A | N/A |

| | |
|------------|--|
| Use | Power supply cable 28V (aircraft services) of the tool TM0104G012. |
|------------|--|

| | |
|--------------------------|--|
| Use particularity | |
|--------------------------|--|

| Alternate | <i>Part Number</i> | <i>Description</i> |
|------------------|--------------------|--------------------|
| | | |

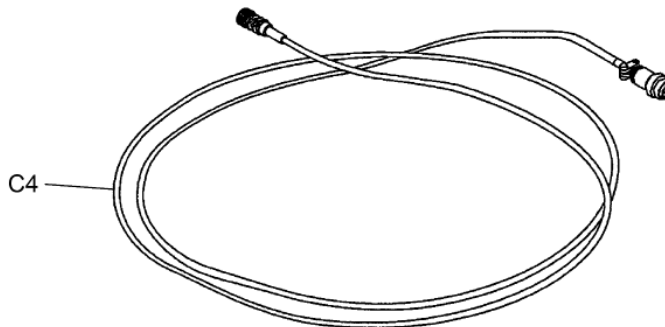
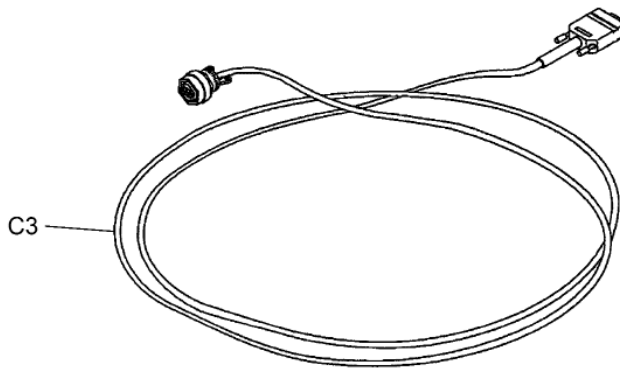
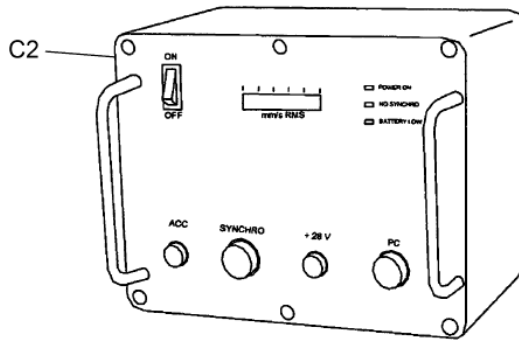
| TOOL | | | | P/N | DESCRIPTION | QTY |
|---------|------|------|------------|--|-------------|-----|
| OT No. | Ind. | Ind. | | 1 2 3 | | |
| 40 0120 | | | 9610064500 | AIRCRAFT POWER SUPPLY CABLE (SMA2.03.10) | 1 | |

- ITEM NOT ILLUSTRATED

NP NON PROCURABLE

TM0104G012

Description: SYNTHAM 2000.4 + PC



| <i>Description</i> | <i>Part Number</i> |
|----------------------------|--------------------|
| SYNTHAM 2000.4 + PC | TM0104G012 |

| |
|------------------------------------|
| <i>This tool replaces the tool</i> |
|------------------------------------|

| <i>Supply code</i> | <i>Calibration frequency</i> | <i>Functional criteria check</i> |
|--------------------|------------------------------|----------------------------------|
| 3 - 1 | 12 | N/A |

| | |
|------------|--|
| Use | Associated to the tool TM0751G010, it characterizes the vibration behaviour of the rotating assemblies. An aircraft power supply is possible by using the tool 9610068900. |
|------------|--|

| | |
|--------------------------|--|
| Use particularity | |
|--------------------------|--|

| <i>Alternate</i> | <i>Part Number</i> | <i>Description</i> |
|------------------|------------------------|--|
| | TM0104G011, TM0104G010 | SYNTHAM 2000.4 / V3, SYNTHAM 2000.4 / V2 |

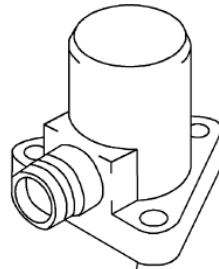
| TOOL | | | | P/N | DESCRIPTION | QTY |
|-------------|---------|------|---|------------|--|------------|
| OT No. | Ind. | Ind. | | 1 2 3 | | |
| | | | | TM0104G012 | SYNTHAM 2000.4 + PC | 1 |
| - | 40 0130 | A | | 9610064600 | . LAPTOP (PC/S00-2000.A) | 1 |
| - | 40 0130 | B | | 8815099808 | . LABEL | 1 |
| - | 40 0130 | C | | TM0104G112 | . SYNTHAM 2000.4 / V3.1 | 1 |
| - | 40 0130 | C | 1 | 9610064590 | . . PORTABLE TEST KIT (S00-123) | 1 |
| | 40 0130 | C | 2 | 9610090180 | . . BOX ASSEMBLY (S2000.4 / V3.1) | 1 |
| | 40 0130 | C | 3 | 9610090190 | . . PC CABLE (SPC2-04) | 1 |
| | 40 0130 | C | 4 | 9610064560 | . . ACCELEROMETER CABLE (SMA.03.01.02) | 1 |
| - | 40 0130 | C | 5 | 9610068790 | . . BATTERY CHARGER (SMA2-04-01) | 1 |
| - | 40 0130 | C | 6 | 9610084310 | . . BS 2000 SOFTWARE (T.PVA.S2.98.999) | 1 |
| - | 40 0130 | C | 7 | 9610084320 | . . BS 2000 MANUAL E/F (T.DOC.S2.00.034) | 1 |
| - | 40 0130 | C | 8 | 9610084330 | . . CVM SOFTWARE (T.PVA.S2.98.1000) | 1 |
| - | 40 0130 | C | 9 | 9610084340 | . . CVM MANUAL E/F (T.DOC.S2.00.039) | 1 |

- ITEM NOT ILLUSTRATED

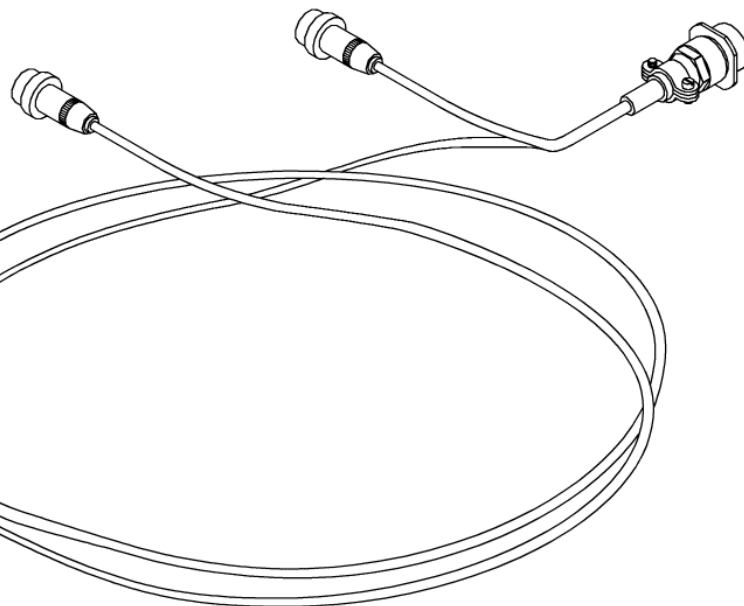
NP NON PROCURABLE

TM0750G010

Description: KIT, VIBRATIONS TEST



B1



A1

SAFRAN HELICOPTER ENGINES

ARRIUS 2 F

MAINTENANCE TOOLS CATALOG

| Description | Part Number |
|----------------------|-------------|
| KIT, VIBRATIONS TEST | TM0750G010 |

| |
|------------------------------------|
| <i>This tool replaces the tool</i> |
|------------------------------------|

| Supply code | Calibration frequency | Functional criteria check |
|-------------|-----------------------|---------------------------|
| 3 - 1 | 12 | N/A |

| | |
|------------|--|
| Use | Associated to the tool TM0104G012, it characterizes the vibration behaviour of the rotating assemblies. This tool is specific to the ARRIUS 2 engine. The accelerometer must be calibrated according to the above periodicity. |
|------------|--|

| | |
|--------------------------|--|
| Use particularity | |
|--------------------------|--|

| Alternate | Part Number | Description |
|-----------|-------------|-------------|
| | | |

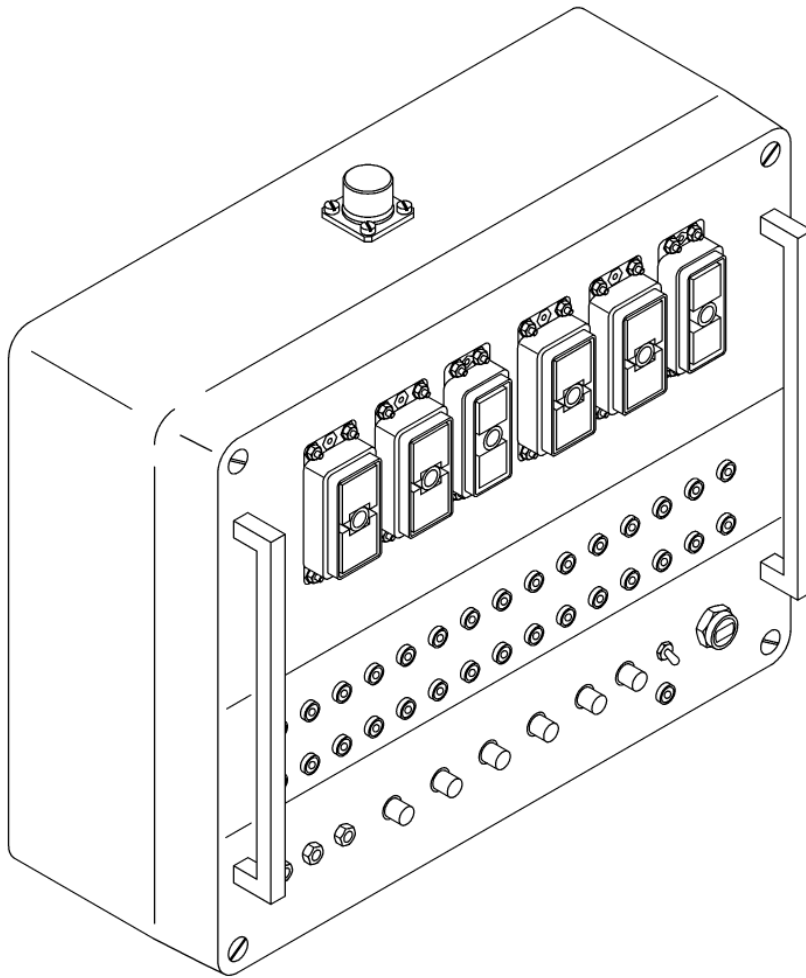
| | TOOL | | | P/N | DESCRIPTION | QTY |
|---|---------|------|------|------------|---|-----|
| | OT No. | Ind. | Ind. | | | |
| | 40 0140 | | | TM0750G010 | KIT, VIBRATIONS TEST | 1 |
| - | 40 0140 | A | | TM0750G110 | . SEMIA EQUIPMENT | 1 |
| | 40 0140 | A | 1 | 9610068730 | . . TACHOMETER CABLE SAS22-03-06 | 1 |
| - | 40 0140 | A | 2 | 9610084460 | . . WORK CARD OF EXTERNAL KIT T.PVA.S2.99.264 | 1 |
| - | 40 0140 | B | | TM0750G210 | . SAFRAN HELICOPTER ENGINES EQUIPMENT | 1 |
| | 40 0140 | B | 1 | 9610020490 | . . ACCELEROMETER ENDEVCO 6222S-20A | 1 |
| - | 40 0140 | B | 2 | 9610017670 | . . CASE | 1 |
| - | 40 0140 | C | | 8815099808 | . LABEL | 1 |

- ITEM NOT ILLUSTRATED

NP NON PROCURABLE

TM4890G002

Description: HARNESS TEST BOX



SAFRAN HELICOPTER ENGINES

ARRIUS 2 F

MAINTENANCE TOOLS CATALOG

| <i>Description</i> | <i>Part Number</i> |
|--------------------|--------------------|
| HARNESS TEST BOX | TM4890G002 |

| |
|------------------------------------|
| <i>This tool replaces the tool</i> |
|------------------------------------|

| <i>Supply code</i> | <i>Calibration frequency</i> | <i>Functional criteria check</i> |
|--------------------|------------------------------|----------------------------------|
| - | N/A | N/A |

| <i>Use</i> | Box used to test the control and monitoring harness and the control harness. |
|------------|--|
|------------|--|

| <i>Use particularity</i> | TM4890G002 is exclusively used with tools TM4897G001(B1-B1A-B2), TM4894G001(F), TM4895G001(K1-K2) and the alternative 8819925000 exclusively with tools 8819456000(B1-B1A-B2), 8819457000(F), TM0396G001(K1-K2). |
|--------------------------|--|
|--------------------------|--|

| <i>Alternate</i> | <i>Part Number</i> | <i>Description</i> |
|------------------|--------------------|--------------------|
| | 8819925000 | HARNESS TEST BOX |

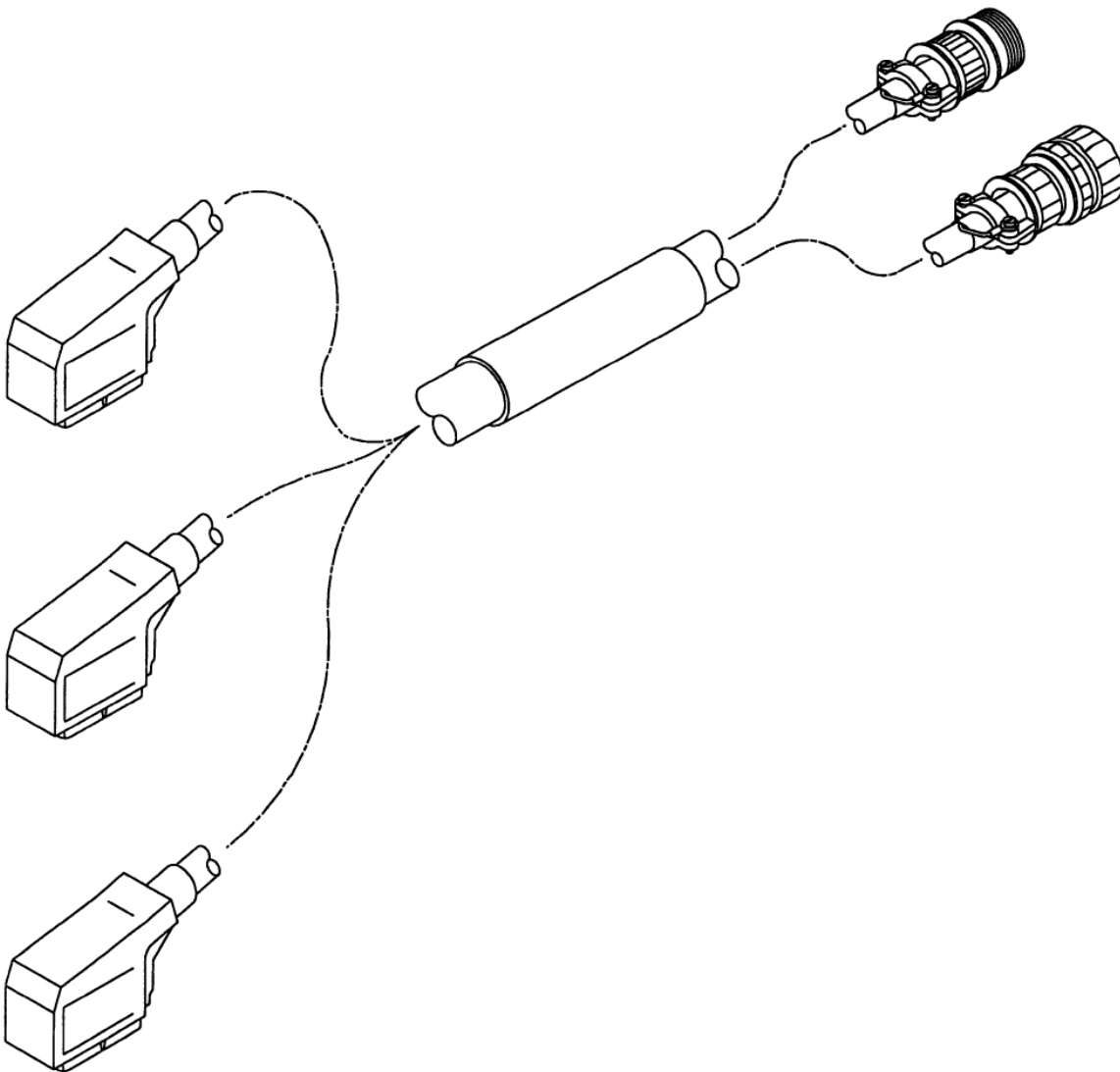
| | TOOL | | | P/N | DESCRIPTION | QTY |
|---|---------|------|------|------------|---------------------------|-----|
| | OT No. | Ind. | Ind. | | | |
| 1 | 40 0150 | | | TM4890G002 | 1 2 3 HARNESS TEST BOX | 1 |

- ITEM NOT ILLUSTRATED

NP NON PROCURABLE

TM4894G001

Description: TEST, HARNESS



TURBOMECA ARRIUS 2 F

MAINTENANCE TOOLS CATALOG

| <i>Description</i> | <i>Part Number</i> |
|----------------------|--------------------|
| TEST, HARNESS | TM4894G001 |

| |
|------------------------------------|
| <i>This tool replaces the tool</i> |
|------------------------------------|

| <i>Supply code</i> | <i>Calibration frequency</i> | <i>Functional criteria check</i> |
|--------------------|------------------------------|----------------------------------|
| 3 - 2 | N/A | N/A |

| | |
|------------|--|
| Use | Connection harness use to test the electrical harnesses P100 and P101. |
|------------|--|

| | |
|--------------------------|--|
| Use particularity | It is used with tools TM4890G002 and 8819459000 and 8817367000. |
|--------------------------|--|

| <i>Alternate</i> | <i>Part Number</i> | <i>Description</i> |
|------------------|--------------------|--------------------|
| | 8819457000 | TEST, HARNESS |

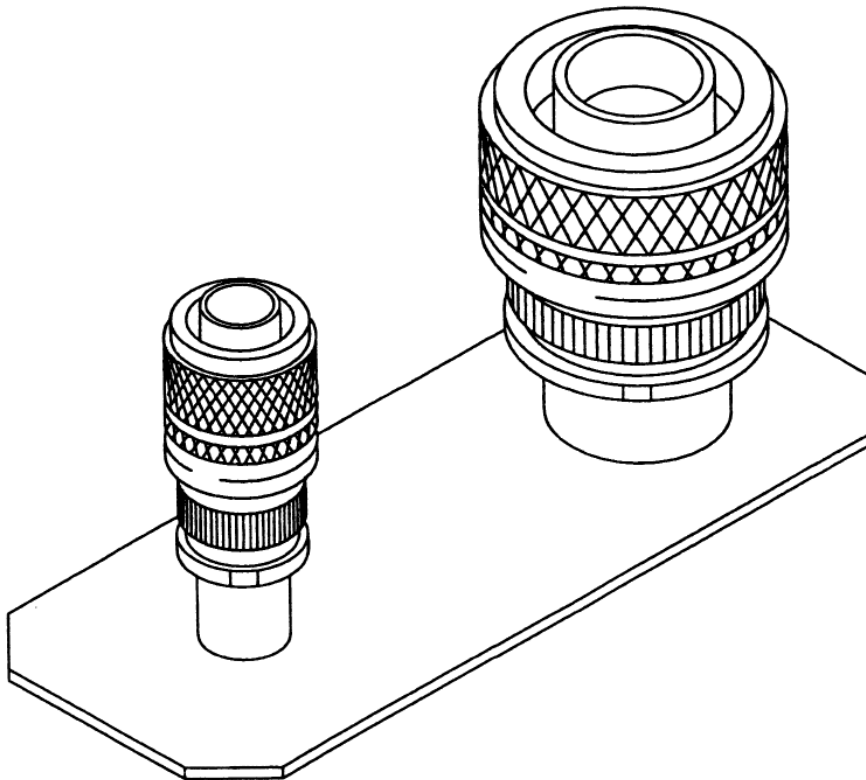
| | TOOL | | | P/N | DESCRIPTION | QTY |
|---|---------|------|------|------------|---------------|-----|
| | OT No. | Ind. | Ind. | | | |
| I | 40 0160 | | | TM4894G001 | TEST, HARNESS | 1 |

- ITEM NOT ILLUSTRATED

NP NON PROCURABLE

8819459000

Description: SET OF SELF-TEST CONNECTORS



TURBOMECA ARRIUS 2 F

MAINTENANCE TOOLS CATALOG

| <i>Description</i> | <i>Part Number</i> |
|------------------------------------|--------------------|
| SET OF SELF-TEST CONNECTORS | 8819459000 |

| |
|------------------------------------|
| <i>This tool replaces the tool</i> |
|------------------------------------|

| <i>Supply code</i> | <i>Calibration frequency</i> | <i>Functional criteria check</i> |
|--------------------|------------------------------|----------------------------------|
| 3 - 2 | N/A | N/A |

| | |
|------------|--|
| Use | Set of connectors use to self-test the harness |
|------------|--|

| | |
|--------------------------|--|
| Use particularity | It is used with tools TM4890G002 and TM4894G001 and 8817367000. |
|--------------------------|--|

| <i>Alternate</i> | <i>Part Number</i> | <i>Description</i> |
|------------------|--------------------|--------------------|
| | | |

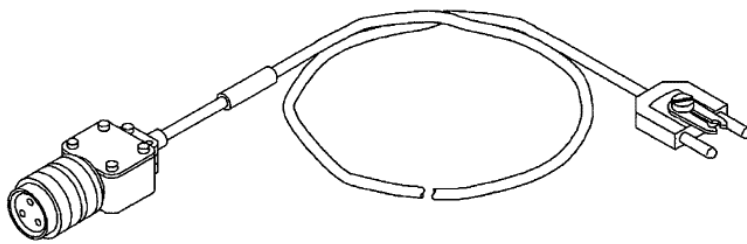
| | TOOL | | | P/N | DESCRIPTION | QTY |
|---|---------|------|------|------------|--------------------------------------|-----|
| | OT No. | Ind. | Ind. | | | |
| I | 40 0170 | | | 8819459000 | 1 2 3 SET OF SELF-TEST CONNECTORS | 1 |

- ITEM NOT ILLUSTRATED

NP NON PROCURABLE

8817367000

Description: HARNESS



TURBOMECA ARRIUS 2 F

MAINTENANCE TOOLS CATALOG

| <i>Description</i> | <i>Part Number</i> |
|--------------------|--------------------|
| HARNESS | 8817367000 |

| |
|------------------------------------|
| <i>This tool replaces the tool</i> |
|------------------------------------|

| <i>Supply code</i> | <i>Calibration frequency</i> | <i>Functional criteria check</i> |
|--------------------|------------------------------|----------------------------------|
| 3 - 2 | N/A | N/A |

| <i>Use</i> | 28V feeder cable. |
|------------|-------------------|
|------------|-------------------|

| <i>Use particularity</i> | IT IS USED WITH TOOLS TM4890G001 AND TM4894G001 AND 8819459000. |
|--------------------------|---|
|--------------------------|---|

| <i>Alternate</i> | <i>Part Number</i> | <i>Description</i> |
|------------------|--------------------|--------------------|
| | | |

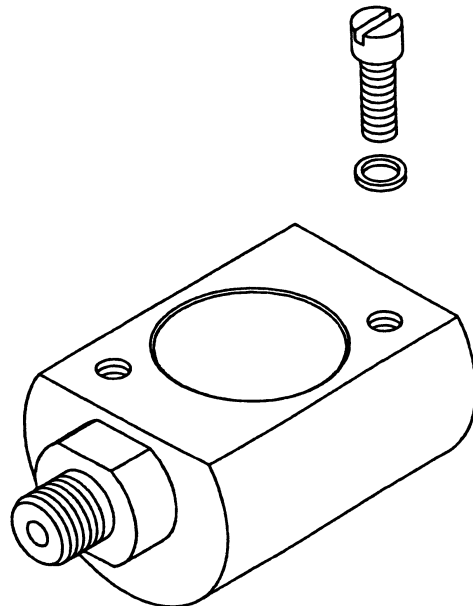
| TOOL | | | | P/N | DESCRIPTION | QTY |
|---------|------|------|--|------------|-------------|-----|
| OT No. | Ind. | Ind. | | 1 2 3 | | |
| 40 0180 | | | | 8817367000 | HARNESS | 1 |

- ITEM NOT ILLUSTRATED

NP NON PROCURABLE

8819841000

Description: ADAPTATION UNION



TURBOMECA ARRIUS 2 F

MAINTENANCE TOOLS CATALOG

| <i>Description</i> | <i>Part Number</i> |
|-------------------------|--------------------|
| ADAPTATION UNION | 8819841000 |

| |
|------------------------------------|
| <i>This tool replaces the tool</i> |
|------------------------------------|

| <i>Supply code</i> | <i>Calibration frequency</i> | <i>Functional criteria check</i> |
|--------------------|------------------------------|----------------------------------|
| 3 - 2 | N/A | N/A |

| <i>Use</i> | Tool use to test the pre-blocage pressure switch of the fuel filter to do a test. |
|------------|---|
|------------|---|

| <i>Use particularity</i> | IT IS USED WITH TOOL 8819840000. |
|--------------------------|----------------------------------|
|--------------------------|----------------------------------|

| <i>Alternate</i> | <i>Part Number</i> | <i>Description</i> |
|------------------|--------------------|--------------------|
| | | |

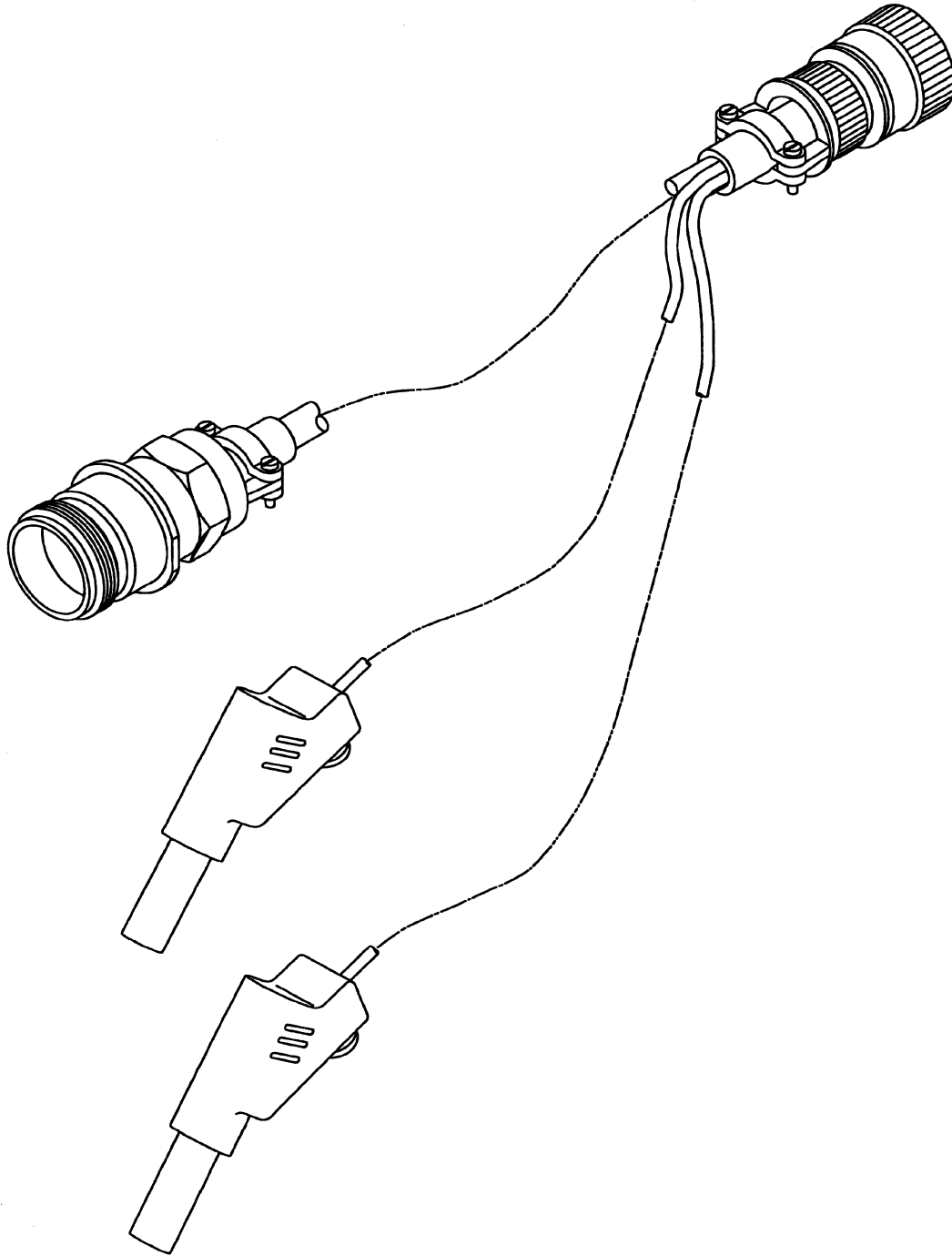
| TOOL | | | | P/N | DESCRIPTION | QTY |
|---------|------|------|------------|------------------|-------------|-----|
| OT No. | Ind. | Ind. | | 1 2 3 | | |
| 40 0190 | | | 8819841000 | ADAPTATION UNION | | 1 |

- ITEM NOT ILLUSTRATED

NP NON PROCURABLE

8819840000

Description: HARNESS



TURBOMECA ARRIUS 2 F

MAINTENANCE TOOLS CATALOG

| <i>Description</i> | <i>Part Number</i> |
|--------------------|--------------------|
| HARNESS | 8819840000 |

| |
|------------------------------------|
| <i>This tool replaces the tool</i> |
|------------------------------------|

| <i>Supply code</i> | <i>Calibration frequency</i> | <i>Functional criteria check</i> |
|--------------------|------------------------------|----------------------------------|
| 3 - 2 | N/A | N/A |

| <i>Use</i> | Tool use to test the pre-blocage pressure switch of the fuel filter to do a test. |
|------------|---|
|------------|---|

| <i>Use particularity</i> | IT IS USED WITH TOOL 8819841000. |
|--------------------------|----------------------------------|
|--------------------------|----------------------------------|

| <i>Alternate</i> | <i>Part Number</i> | <i>Description</i> |
|------------------|--------------------|--------------------|
| | | |

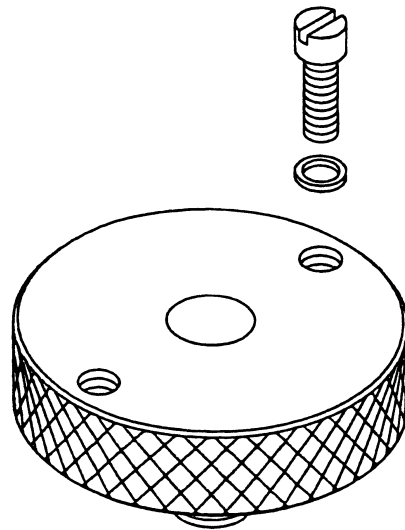
| TOOL | | | | P/N | DESCRIPTION | QTY |
|---------|------|------|------------|---------|-------------|-----|
| OT No. | Ind. | Ind. | | 1 2 3 | | |
| 40 0200 | | | 8819840000 | HARNESS | | 1 |

- ITEM NOT ILLUSTRATED

NP NON PROCURABLE

8819843000

Description: ADAPTATION UNION



TURBOMECA ARRIUS 2 F

MAINTENANCE TOOLS CATALOG

| <i>Description</i> | <i>Part Number</i> |
|-------------------------|--------------------|
| ADAPTATION UNION | 8819843000 |

| |
|------------------------------------|
| <i>This tool replaces the tool</i> |
|------------------------------------|

| <i>Supply code</i> | <i>Calibration frequency</i> | <i>Functional criteria check</i> |
|--------------------|------------------------------|----------------------------------|
| 3 - 2 | N/A | N/A |

| <i>Use</i> | Tool use to adapt the fuel pressure switch to do a test. |
|------------|--|
|------------|--|

| <i>Use particularity</i> | IT IS USED WITH TOOL 8818341000. |
|--------------------------|----------------------------------|
|--------------------------|----------------------------------|

| <i>Alternate</i> | <i>Part Number</i> | <i>Description</i> |
|------------------|--------------------|--------------------|
| | | |

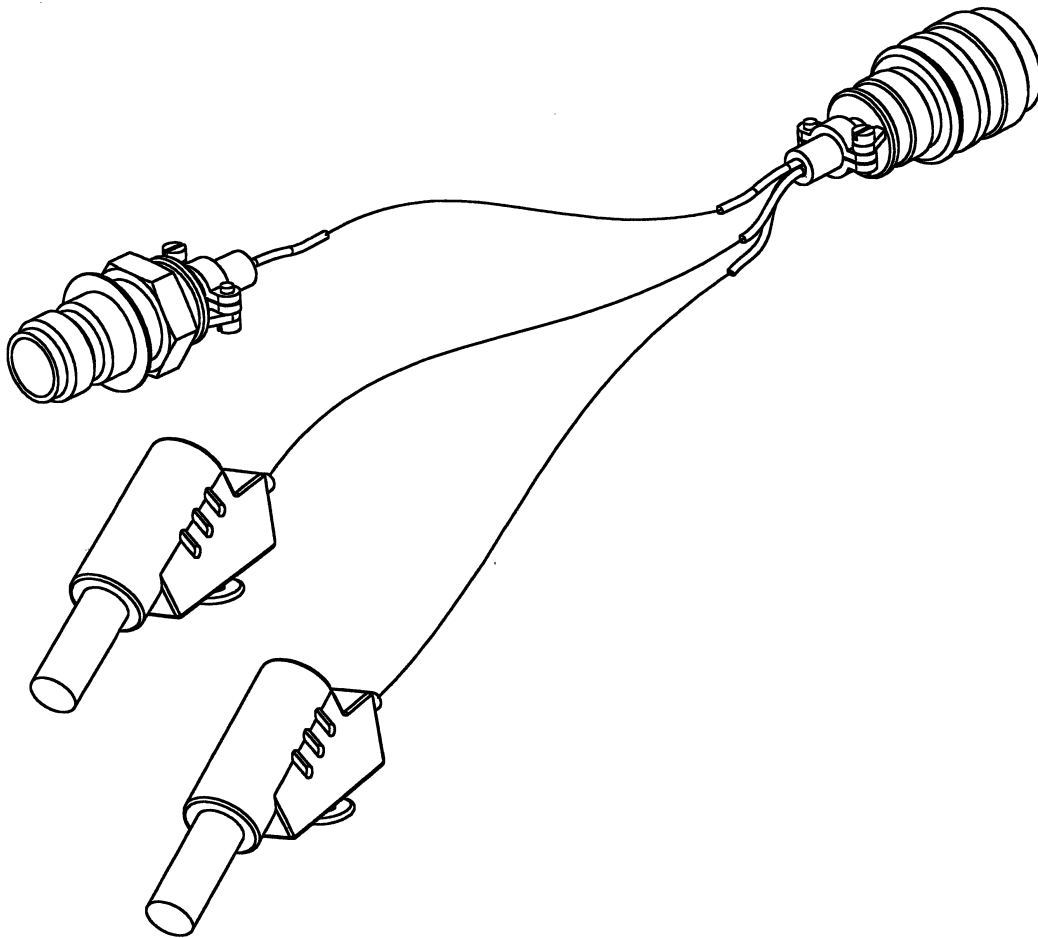
| TOOL | | | | P/N | DESCRIPTION | QTY |
|---------|------|------|------------|------------------|-------------|-----|
| OT No. | Ind. | Ind. | | 1 2 3 | | |
| 40 0210 | | | 8819843000 | ADAPTATION UNION | | 1 |

- ITEM NOT ILLUSTRATED

NP NON PROCURABLE

8818341000

Description: HARNESS



TURBOMECA ARRIUS 2 F

MAINTENANCE TOOLS CATALOG

| <i>Description</i> | <i>Part Number</i> |
|--------------------|--------------------|
| HARNESS | 8818341000 |

| |
|------------------------------------|
| <i>This tool replaces the tool</i> |
|------------------------------------|

| <i>Supply code</i> | <i>Calibration frequency</i> | <i>Functional criteria check</i> |
|--------------------|------------------------------|----------------------------------|
| 3 - 2 | N/A | N/A |

| <i>Use</i> | Harness used to monitor the fuel low pressure switch. |
|------------|---|
|------------|---|

| <i>Use particularity</i> | IT IS USED WITH TOOLS TM0807G001 AND TM1609G001 AND 8819389000. |
|--------------------------|---|
|--------------------------|---|

| <i>Alternate</i> | <i>Part Number</i> | <i>Description</i> |
|------------------|--------------------|--------------------|
| | | |

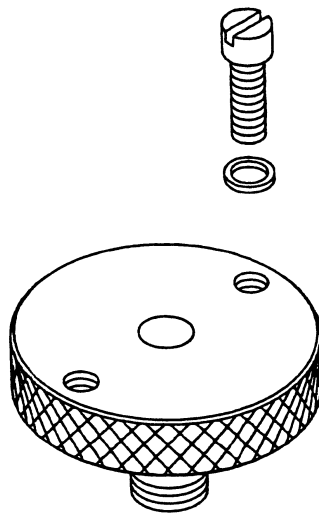
| TOOL | | | | P/N | DESCRIPTION | QTY |
|---------|------|------|------------|---------|-------------|-----|
| OT No. | Ind. | Ind. | | 1 2 3 | | |
| 40 0220 | | | 8818341000 | HARNESS | | 1 |

- ITEM NOT ILLUSTRATED

NP NON PROCURABLE

8819842000

Description: ADAPTATION UNION



TURBOMECA ARRIUS 2 F

MAINTENANCE TOOLS CATALOG

| <i>Description</i> | <i>Part Number</i> |
|-------------------------|--------------------|
| ADAPTATION UNION | 8819842000 |

| |
|------------------------------------|
| <i>This tool replaces the tool</i> |
|------------------------------------|

| <i>Supply code</i> | <i>Calibration frequency</i> | <i>Functional criteria check</i> |
|--------------------|------------------------------|----------------------------------|
| 3 - 2 | N/A | N/A |

| <i>Use</i> | Tool use to adapt the P3 pressure switch to do a test. |
|------------|--|
|------------|--|

| <i>Use particularity</i> | It is used with tools 8819391000 and TM1609G001 and TM0807G001 . |
|--------------------------|--|
|--------------------------|--|

| <i>Alternate</i> | <i>Part Number</i> | <i>Description</i> |
|------------------|--------------------|--------------------|
| | | |

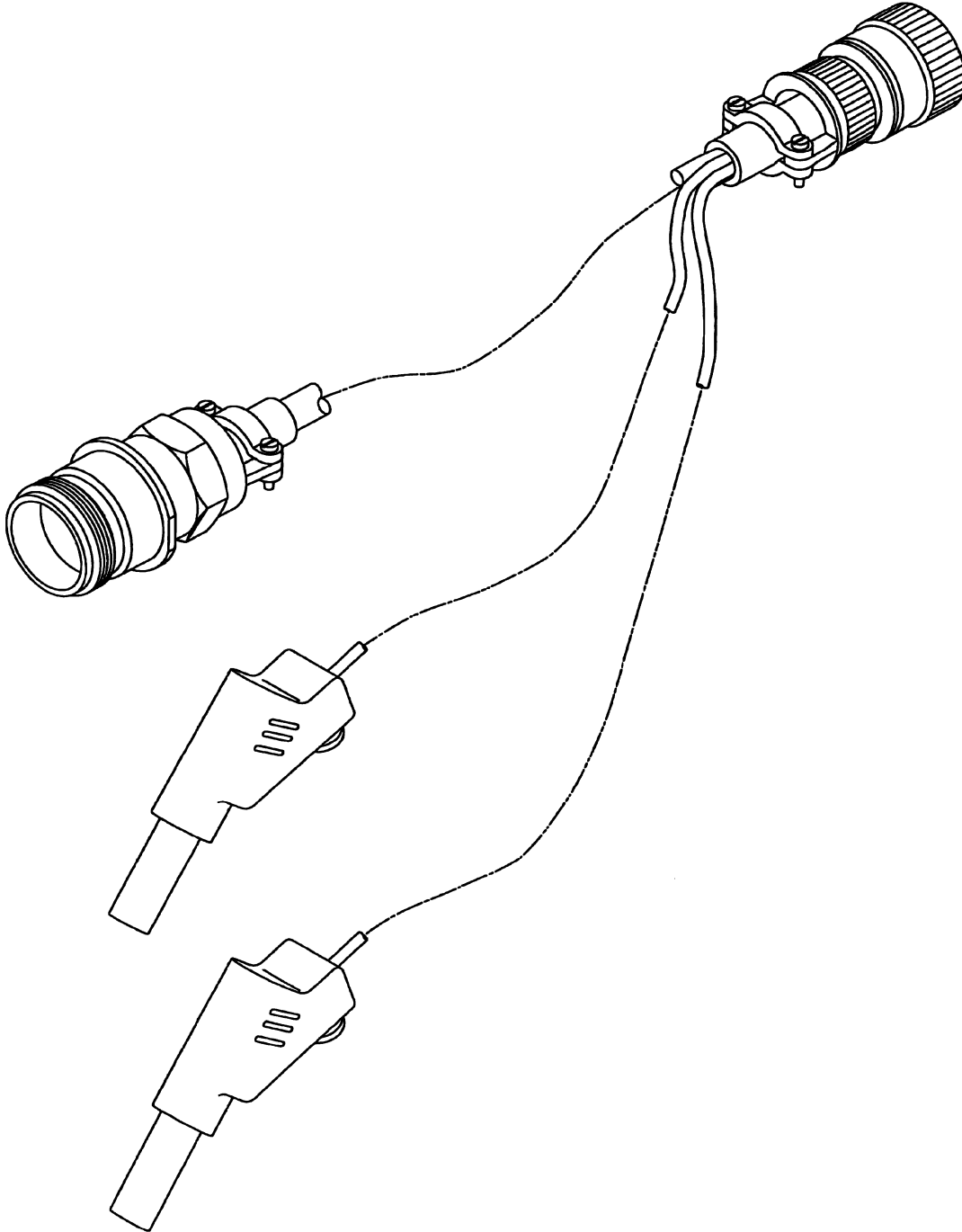
| TOOL | | | | P/N | DESCRIPTION | QTY |
|---------|------|------|------------|------------------|-------------|-----|
| OT No. | Ind. | Ind. | | 1 2 3 | | |
| 40 0230 | | | 8819842000 | ADAPTATION UNION | | 1 |

- ITEM NOT ILLUSTRATED

NP NON PROCURABLE

8819391000

Description: HARNESS



TURBOMECA ARRIUS 2 F

MAINTENANCE TOOLS CATALOG

| <i>Description</i> | <i>Part Number</i> |
|--------------------|--------------------|
| HARNESS | 8819391000 |

| |
|------------------------------------|
| <i>This tool replaces the tool</i> |
|------------------------------------|

| <i>Supply code</i> | <i>Calibration frequency</i> | <i>Functional criteria check</i> |
|--------------------|------------------------------|----------------------------------|
| 3 - 2 | N/A | N/A |

| <i>Use</i> | Harness use to check the P3 pressure switch. |
|------------|--|
|------------|--|

| <i>Use particularity</i> | It is used with tools TM0807G001 and TM1609G001 and 8819387000. |
|--------------------------|---|
|--------------------------|---|

| <i>Alternate</i> | <i>Part Number</i> | <i>Description</i> |
|------------------|--------------------|--------------------|
| | | |

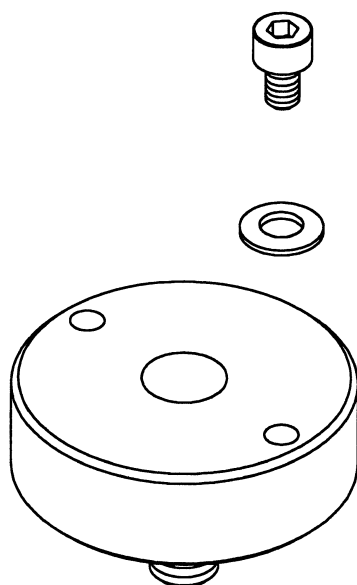
| | TOOL | | | P/N | DESCRIPTION | QTY |
|---|---------|------|------|------------|-------------|-----|
| | OT No. | Ind. | Ind. | | | |
| I | 40 0240 | | | 8819391000 | HARNESS | 1 |

- ITEM NOT ILLUSTRATED

NP NON PROCURABLE

8818932000

Description: ADAPTATION UNION



TURBOMECA ARRIUS 2 F

MAINTENANCE TOOLS CATALOG

| <i>Description</i> | <i>Part Number</i> |
|-------------------------|--------------------|
| ADAPTATION UNION | 8818932000 |

| |
|------------------------------------|
| <i>This tool replaces the tool</i> |
|------------------------------------|

| <i>Supply code</i> | <i>Calibration frequency</i> | <i>Functional criteria check</i> |
|--------------------|------------------------------|----------------------------------|
| 3 - 2 | N/A | N/A |

| <i>Use</i> | Tool use to adapt the torquemeter transmitter to do a test. |
|------------|---|
|------------|---|

| <i>Use particularity</i> | IT IS USED WITH TOOLS 8816492000 AND TM1609G001 AND TM0807G001 . |
|--------------------------|--|
|--------------------------|--|

| <i>Alternate</i> | <i>Part Number</i> | <i>Description</i> |
|------------------|--------------------|--------------------|
| | | |

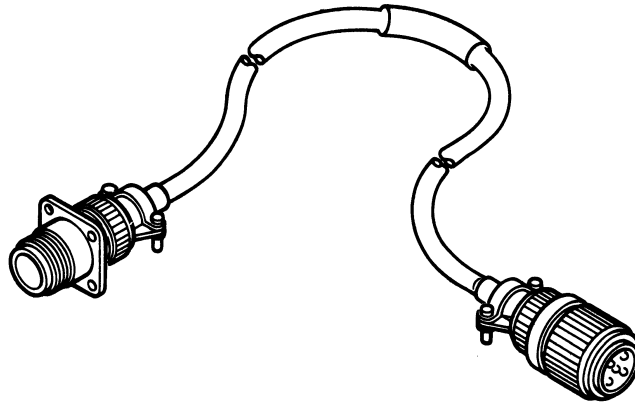
| TOOL | | | | P/N | DESCRIPTION | QTY |
|---------|------|------|------------|------------------|-------------|-----|
| OT No. | Ind. | Ind. | | 1 2 3 | | |
| 40 0250 | | | 8818932000 | ADAPTATION UNION | | 1 |

- ITEM NOT ILLUSTRATED

NP NON PROCURABLE

8816492000

Description: HARNESS



TURBOMECA ARRIUS 2 F

MAINTENANCE TOOLS CATALOG

| <i>Description</i> | <i>Part Number</i> |
|--------------------|--------------------|
| HARNESS | 8816492000 |

| |
|------------------------------------|
| <i>This tool replaces the tool</i> |
|------------------------------------|

| <i>Supply code</i> | <i>Calibration frequency</i> | <i>Functional criteria check</i> |
|--------------------|------------------------------|----------------------------------|
| 3 - 2 | N/A | N/A |

| <i>Use</i> | Harness use to check the torquemeter transmitter. |
|------------|---|
|------------|---|

| <i>Use particularity</i> | IT IS USED WITH TOOLS TM0807G001 AND TM0520G001 . |
|--------------------------|---|
|--------------------------|---|

| <i>Alternate</i> | <i>Part Number</i> | <i>Description</i> |
|------------------|--------------------|--------------------|
| | | |

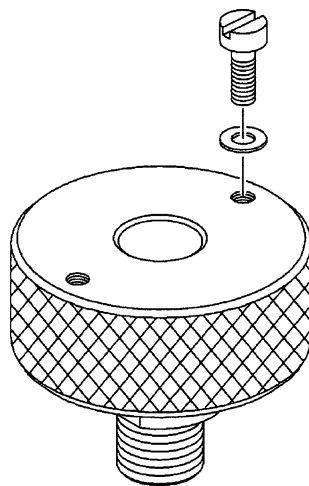
| TOOL | | | | P/N | DESCRIPTION | QTY |
|---------|------|------|------------|---------|-------------|-----|
| OT No. | Ind. | Ind. | | 1 2 3 | | |
| 40 0260 | | | 8816492000 | HARNESS | | 1 |

- ITEM NOT ILLUSTRATED

NP NON PROCURABLE

8818339000

Description: ADAPTATION UNION



TURBOMECA ARRIUS 2 F

MAINTENANCE TOOLS CATALOG

| <i>Description</i> | <i>Part Number</i> |
|-------------------------|--------------------|
| ADAPTATION UNION | 8818339000 |

| |
|------------------------------------|
| <i>This tool replaces the tool</i> |
|------------------------------------|

| <i>Supply code</i> | <i>Calibration frequency</i> | <i>Functional criteria check</i> |
|--------------------|------------------------------|----------------------------------|
| 3 - 2 | N/A | N/A |

| <i>Use</i> | Adaptation tool for the oil low pressure switch (for inspection purposes). |
|------------|--|
|------------|--|

| <i>Use particularity</i> | It is used with tools TM0807G001 and TM1609G001 and 8819393000. |
|--------------------------|---|
|--------------------------|---|

| <i>Alternate</i> | <i>Part Number</i> | <i>Description</i> |
|------------------|--------------------|--------------------|
| | | |

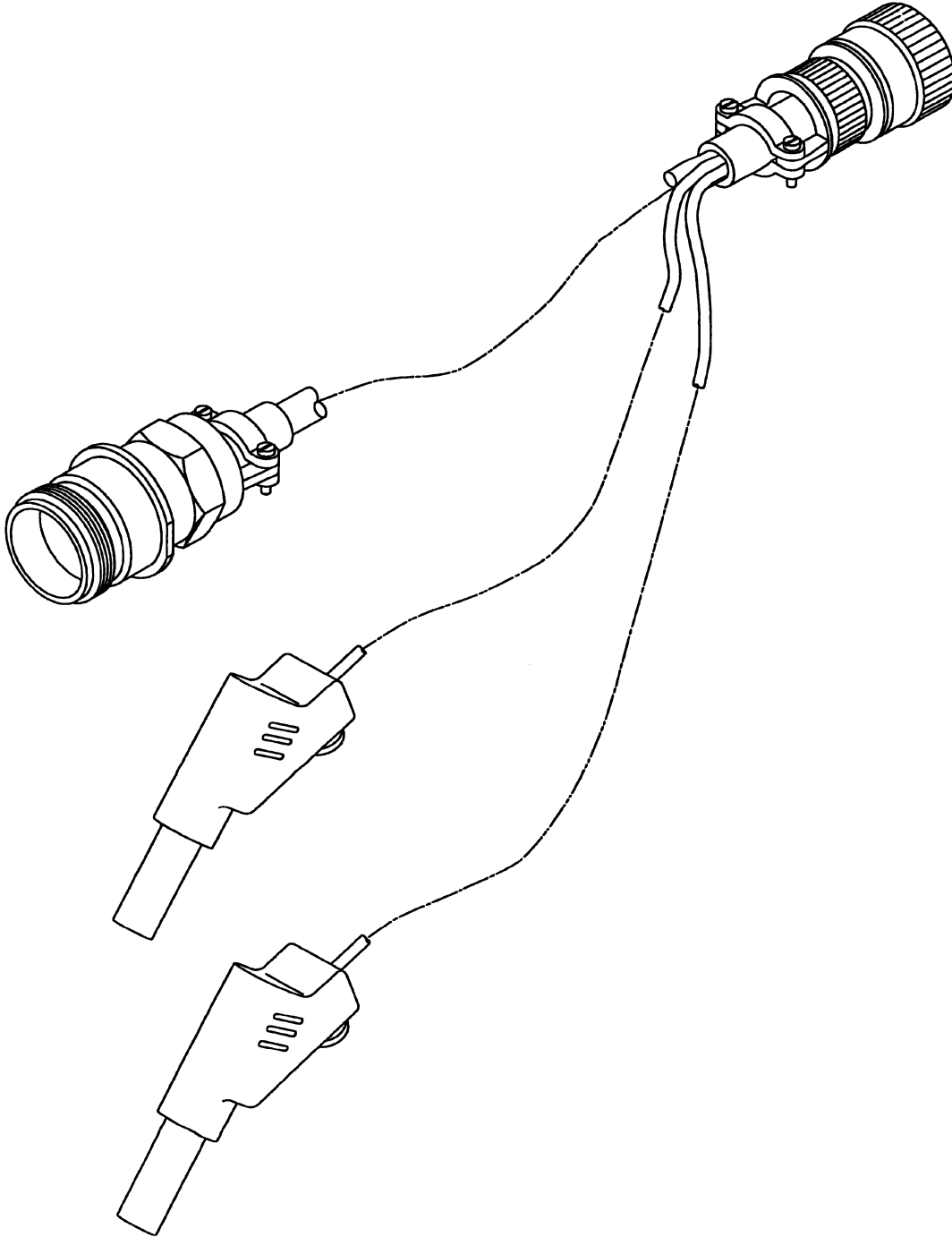
| TOOL | | | | P/N | DESCRIPTION | QTY |
|---------|------|------|------------|------------------|-------------|-----|
| OT No. | Ind. | Ind. | | 1 2 3 | | |
| 40 0270 | | | 8818339000 | ADAPTATION UNION | | 1 |

- ITEM NOT ILLUSTRATED

NP NON PROCURABLE

8819393000

Description: HARNESS



TURBOMECA ARRIUS 2 F

MAINTENANCE TOOLS CATALOG

| <i>Description</i> | <i>Part Number</i> |
|--------------------|--------------------|
| HARNESS | 8819393000 |

| |
|------------------------------------|
| <i>This tool replaces the tool</i> |
|------------------------------------|

| <i>Supply code</i> | <i>Calibration frequency</i> | <i>Functional criteria check</i> |
|--------------------|------------------------------|----------------------------------|
| 3 - 2 | N/A | N/A |

| <i>Use</i> | Harness used to test the low oil pressure switch. |
|------------|---|
|------------|---|

| <i>Use particularity</i> | It is used with tools TM0807G001 and TM1609G001 and 8818339000. |
|--------------------------|---|
|--------------------------|---|

| <i>Alternate</i> | <i>Part Number</i> | <i>Description</i> |
|------------------|--------------------|--------------------|
| | | |

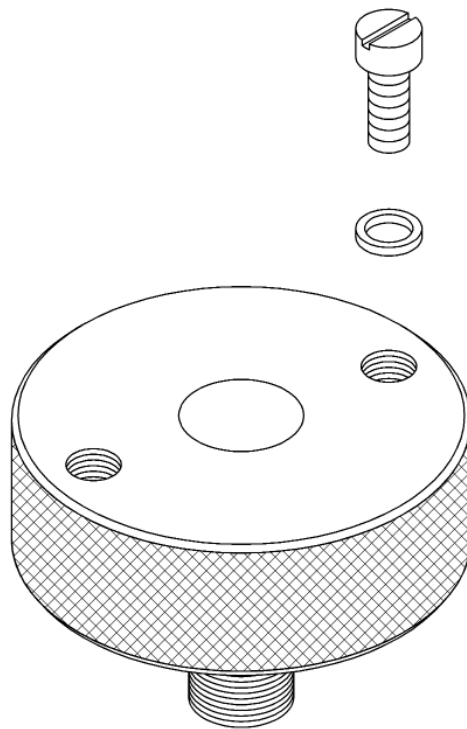
| TOOL | | | | P/N | DESCRIPTION | QTY |
|---------|------|------|------------|---------|-------------|-----|
| OT No. | Ind. | Ind. | | 1 2 3 | | |
| 40 0280 | | | 8819393000 | HARNESS | | 1 |

- ITEM NOT ILLUSTRATED

NP NON PROCURABLE

8818340000

Description: ADAPTATION UNION



TURBOMECA ARRIUS 2 F

MAINTENANCE TOOLS CATALOG

| <i>Description</i> | <i>Part Number</i> |
|-------------------------|--------------------|
| ADAPTATION UNION | 8818340000 |

| |
|------------------------------------|
| <i>This tool replaces the tool</i> |
|------------------------------------|

| <i>Supply code</i> | <i>Calibration frequency</i> | <i>Functional criteria check</i> |
|--------------------|------------------------------|----------------------------------|
| 3 - 2 | N/A | N/A |

| | |
|--------------------------|--|
| Use | Adaptation tool for the oil temperature and pressure transmitter (for inspection purposes) |
| Use particularity | It is used with tools TM0807G001 and TM1609G001 and 8819394000. |

| Alternate | <i>Part Number</i> | <i>Description</i> |
|------------------|--------------------|--------------------|
| | | |

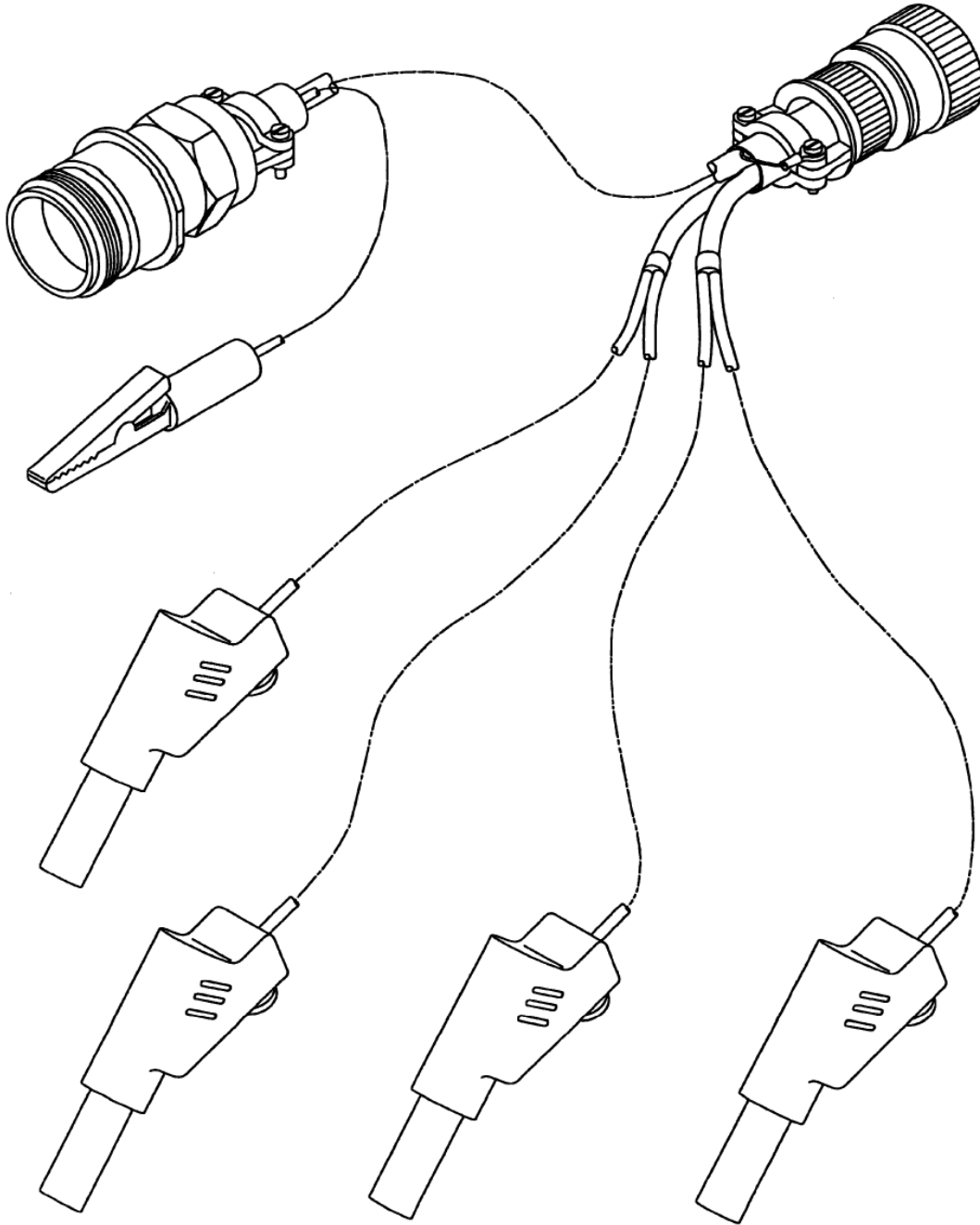
| | TOOL | | | P/N | DESCRIPTION | QTY |
|---|---------|------|------|------------|------------------|-----|
| | OT No. | Ind. | Ind. | | | |
| 1 | 40 0290 | | | 8818340000 | ADAPTATION UNION | 1 |

- ITEM NOT ILLUSTRATED

NP NON PROCURABLE

8819394000

Description: HARNESS



SAFRAN HELICOPTER ENGINES

ARRIUS 2 F

MAINTENANCE TOOLS CATALOG

| <i>Description</i> | <i>Part Number</i> |
|--------------------|--------------------|
| HARNESS | 8819394000 |

| |
|------------------------------------|
| <i>This tool replaces the tool</i> |
|------------------------------------|

| <i>Supply code</i> | <i>Calibration frequency</i> | <i>Functional criteria check</i> |
|--------------------|------------------------------|----------------------------------|
| 3 - 2 | N/A | N/A |

| <i>Use</i> | Harness used to monitor the oil pressure and transmitter. |
|------------|---|
|------------|---|

| <i>Use particularity</i> | It is used with tools TM0807G001 and TM1609G001 and 8818340000. |
|--------------------------|---|
|--------------------------|---|

| <i>Alternate</i> | <i>Part Number</i> | <i>Description</i> |
|------------------|--------------------|--------------------|
| | | |

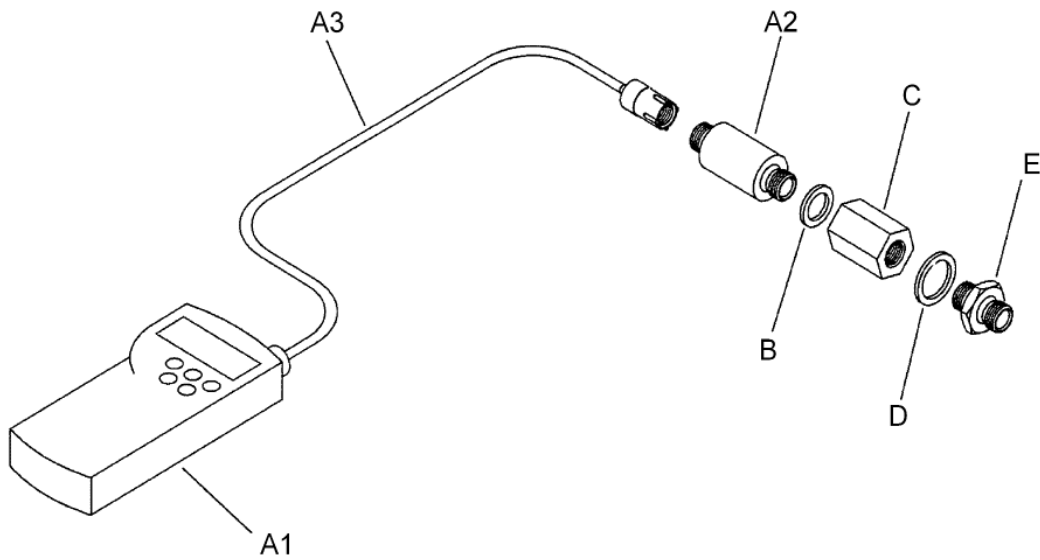
| TOOL | | | | P/N | DESCRIPTION | QTY |
|---------|------|------|------------|---------|-------------|-----|
| OT No. | Ind. | Ind. | | 1 2 3 | | |
| 40 0300 | | | 8819394000 | HARNESS | | 1 |

- ITEM NOT ILLUSTRATED

NP NON PROCURABLE

TM1609G001

Description: POCKET, MANOMETER



SAFRAN HELICOPTER ENGINES

ARRIUS 2 F

MAINTENANCE TOOLS CATALOG

| Description | Part Number |
|-------------------|-------------|
| POCKET, MANOMETER | TM1609G001 |

| |
|------------------------------------|
| <i>This tool replaces the tool</i> |
|------------------------------------|

| Supply code | Calibration frequency | Functional criteria check |
|-------------|-----------------------|---------------------------|
| 3 - 1 | 12 | N/A |

| | |
|------------|--|
| Use | Case used to for pressure inspections. |
|------------|--|

| | |
|--------------------------|--|
| Use particularity | |
|--------------------------|--|

| Alternate | Part Number | Description |
|-----------|------------------------|-------------------|
| | 8818457000, TM0831G001 | POCKET, MANOMETER |

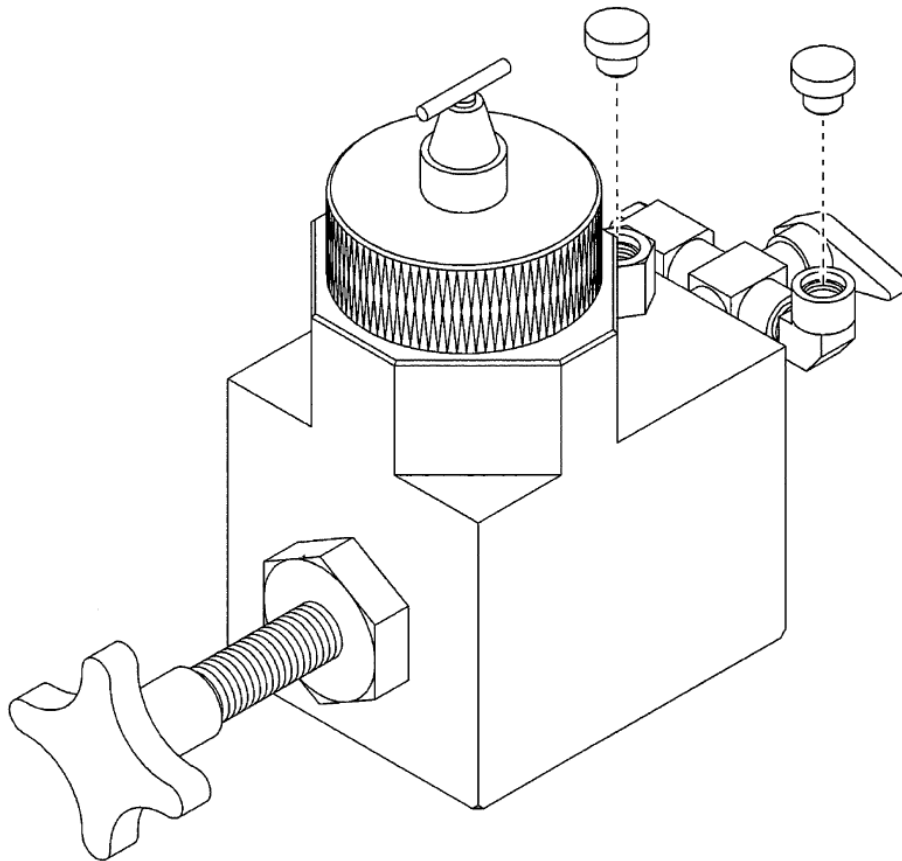
| | TOOL | | | P/N | DESCRIPTION | QTY |
|---|---------|------|------|------------|---------------------------------|-----|
| | OT No. | Ind. | Ind. | | | |
| | | | | | 1 2 3 | |
| - | 40 0360 | | | TM1609G001 | POCKET, MANOMETER | 1 |
| | 40 0360 | A | | TM1608G001 | . MEASURING SYSTEM | 1 |
| | 40 0360 | A | 1 | TM1608P001 | . . DIGITAL INDICATOR | 1 |
| | 40 0360 | A | 2 | TM1608P002 | . . SENSOR PRESSURE | 1 |
| | 40 0360 | A | 3 | TM1608P003 | . . SHIELDED CONNECTION HARNESS | 1 |
| | 40 0360 | B | | 9752010044 | . FLAT SEAL | 1 |
| | 40 0360 | C | | 8815099420 | . ADAPTER | 1 |
| | 40 0360 | D | | 9752014044 | . FLAT SEAL | 1 |
| | 40 0360 | E | | 9770060034 | . NIPPLE, DOUBLE | 1 |

- ITEM NOT ILLUSTRATED

NP NON PROCURABLE

TM0807G001

Description: HYDRAULIC PRESSURE GENERATOR



TURBOMECA ARRIUS 2 F

MAINTENANCE TOOLS CATALOG

| <i>Description</i> | <i>Part Number</i> |
|------------------------------|--------------------|
| HYDRAULIC PRESSURE GENERATOR | TM0807G001 |

| | |
|------------------------------------|--|
| <i>This tool replaces the tool</i> | |
|------------------------------------|--|

| <i>Supply code</i> | <i>Calibration frequency</i> | <i>Functional criteria check</i> |
|--------------------|------------------------------|----------------------------------|
| 3 - 2 | N/A | N/A |

| | |
|------------|--|
| <i>Use</i> | Tool used to check the pressure strength of the pressure switches. |
|------------|--|

| | |
|--------------------------|--|
| <i>Use particularity</i> | |
|--------------------------|--|

| <i>Alternate</i> | <i>Part Number</i> | <i>Description</i> |
|------------------|--------------------|------------------------------|
| | 8818870000 | HYDRAULIC PRESSURE GENERATOR |

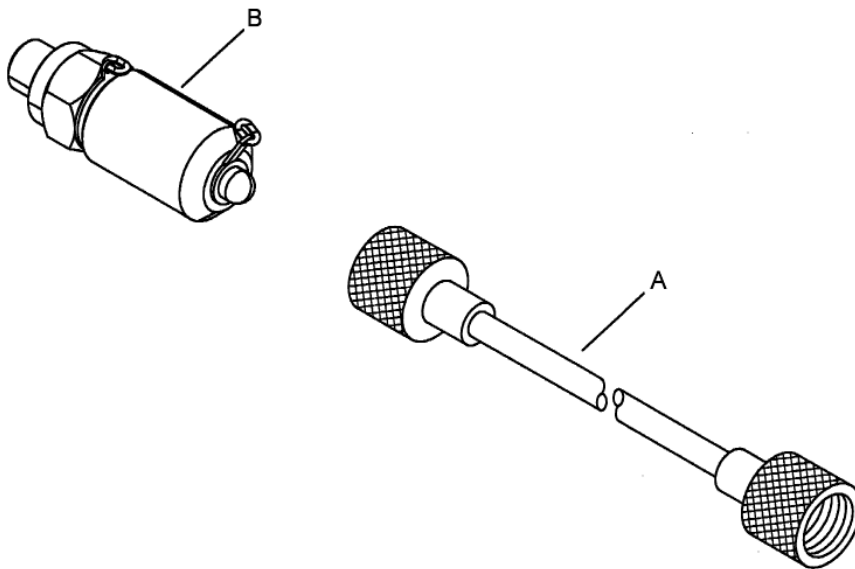
| TOOL | | | | P/N | DESCRIPTION | QTY |
|-----------|------|------|------------|------------------------------|-------------|-----|
| OT No. | Ind. | Ind. | | 1 2 3 | | |
| - 40 0370 | | | TM0807G001 | HYDRAULIC PRESSURE GENERATOR | | 1 |
| - 40 0370 | A | | 9561490100 | . PLUG | | 2 |
| - 40 0370 | B | | TM0807P006 | . ADAPTER M10X100 - 1/8 GAZ | | 2 |
| - 40 0370 | C | | TM0807P011 | . BONDED WASHER | | 2 |

- ITEM NOT ILLUSTRATED

NP NON PROCURABLE

TM1330G001

Description: PIPE



SAFRAN HELICOPTER ENGINES

ARRIUS 2 F

MAINTENANCE TOOLS CATALOG

| <i>Description</i> | <i>Part Number</i> |
|--------------------|--------------------|
| PIPE | TM1330G001 |

| |
|------------------------------------|
| <i>This tool replaces the tool</i> |
|------------------------------------|

| <i>Supply code</i> | <i>Calibration frequency</i> | <i>Functional criteria check</i> |
|--------------------|------------------------------|----------------------------------|
| 3 - 2 | N/A | N/A |

| | |
|------------|--|
| Use | Pipe used to check the torquemeter transmitter |
|------------|--|

| | |
|--------------------------|---|
| Use particularity | It is used with tools TM0807G001 and TM5379G001 . |
|--------------------------|---|

| <i>Alternate</i> | <i>Part Number</i> | <i>Description</i> |
|------------------|--------------------|--------------------|
| | | |

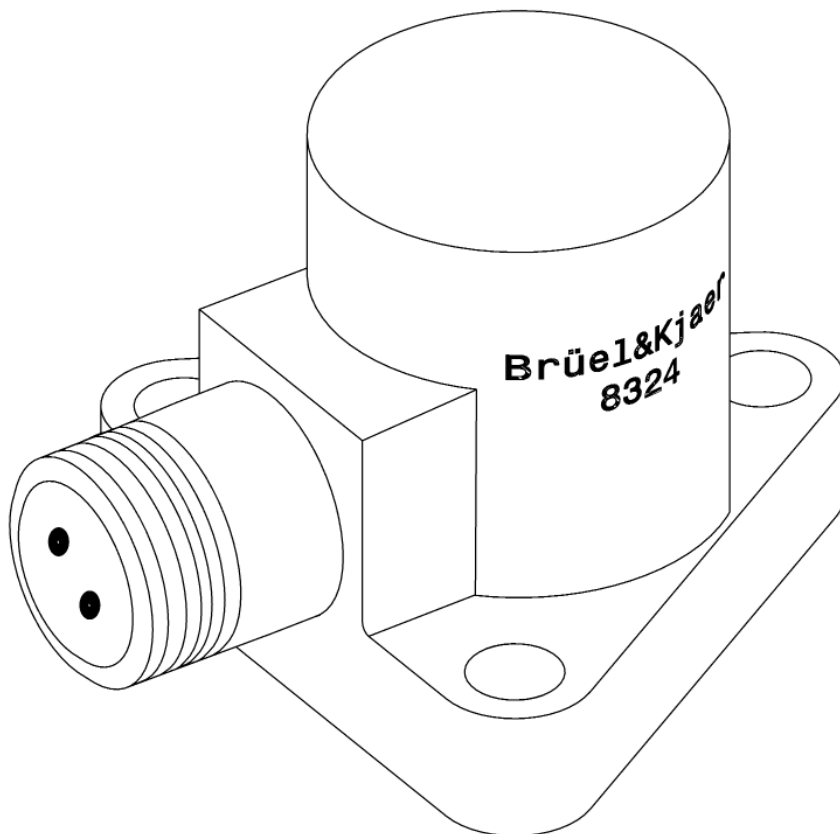
| TOOL | | | | P/N | DESCRIPTION | QTY |
|---------|------|------|------------|----------------------|-------------|-----|
| OT No. | Ind. | Ind. | | 1 2 3 | | |
| 40 0380 | | | TM1330G001 | PIPE | | 1 |
| 40 0380 | A | | TM1330P001 | . PIPE | | 1 |
| 40 0380 | B | | 9610080670 | . PLUG TO BE SCREWED | | 1 |

- ITEM NOT ILLUSTRATED

NP NON PROCURABLE

9610017700

Description: ACCELEROMETER B&K 8324



SAFRAN HELICOPTER ENGINES

ARRIUS 2 F

MAINTENANCE TOOLS CATALOG

| <i>Description</i> | <i>Part Number</i> |
|-----------------------------------|--------------------|
| ACCELEROMETER B&K 8324 | 9610017700 |

| |
|------------------------------------|
| <i>This tool replaces the tool</i> |
|------------------------------------|

| <i>Supply code</i> | <i>Calibration frequency</i> | <i>Functional criteria check</i> |
|--------------------|------------------------------|----------------------------------|
| 3 - 1 | 12 | N/A |

| | |
|------------|--|
| <i>Use</i> | Tool used for the check of the vibratory level of the engine |
|------------|--|

| | |
|--------------------------|--|
| <i>Use particularity</i> | |
|--------------------------|--|

| <i>Alternate</i> | <i>Part Number</i> | <i>Description</i> |
|------------------|--------------------|--------------------|
| | | |

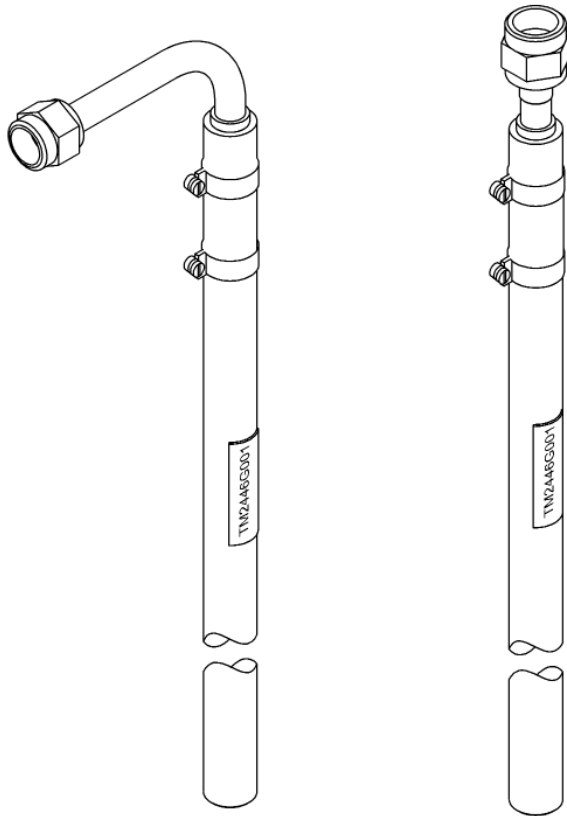
| | TOOL | | | P/N | DESCRIPTION | QTY |
|---|---------|------|------|------------|------------------------|-----|
| | OT No. | Ind. | Ind. | | | |
| 1 | 40 0410 | | | 9610017700 | ACCELEROMETER B&K 8324 | 1 |

- ITEM NOT ILLUSTRATED

NP NON PROCURABLE

TM2446G001

Description: CHECK TOOL



SAFRAN HELICOPTER ENGINES

ARRIUS 2 F

MAINTENANCE TOOLS CATALOG

| | |
|--------------------|--------------------|
| <i>Description</i> | <i>Part Number</i> |
| CHECK TOOL | TM2446G001 |

| |
|------------------------------------|
| <i>This tool replaces the tool</i> |
|------------------------------------|

| | | |
|--------------------|------------------------------|----------------------------------|
| <i>Supply code</i> | <i>Calibration frequency</i> | <i>Functional criteria check</i> |
| 3 - 2 | N/A | N/A |

| | |
|------------|--|
| <i>Use</i> | |
|------------|--|

| | |
|--------------------------|--|
| <i>Use particularity</i> | |
|--------------------------|--|

| | | |
|------------------|--------------------|--------------------|
| <i>Alternate</i> | <i>Part Number</i> | <i>Description</i> |
| | | |

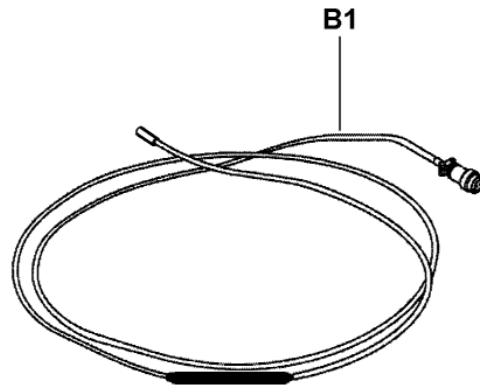
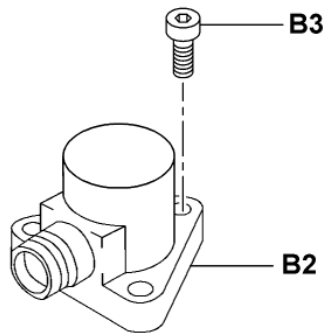
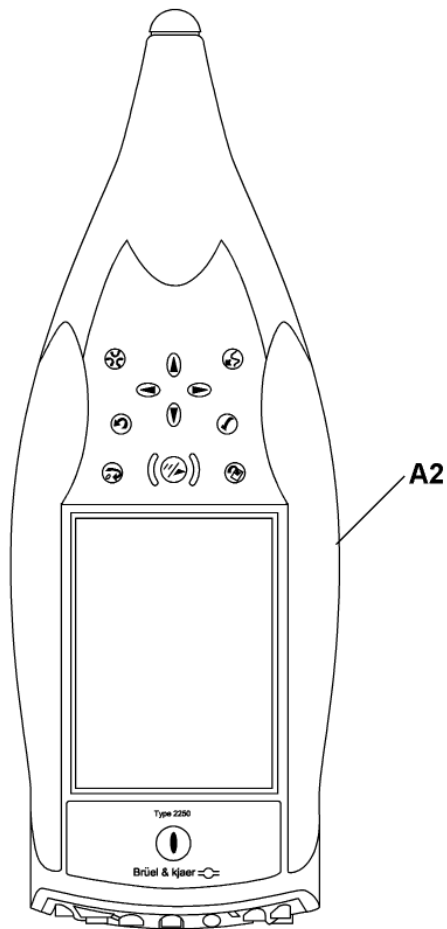
| TOOL | | | | P/N | DESCRIPTION | QTY |
|---------|------|------|------------|------------|-------------|-----|
| OT No. | Ind. | Ind. | | 1 2 3 | | |
| 40 0440 | | | TM2446G001 | CHECK TOOL | | 1 |

- ITEM NOT ILLUSTRATED

NP NON PROCURABLE

TM4865G001

Description: KIT, VIBRATIONS TEST B&K 3656-A



SAFRAN HELICOPTER ENGINES

ARRIUS 2 F

MAINTENANCE TOOLS CATALOG

| Description | Part Number |
|---------------------------------|-------------|
| KIT, VIBRATIONS TEST B&K 3656-A | TM4865G001 |

| |
|------------------------------------|
| <i>This tool replaces the tool</i> |
|------------------------------------|

| Supply code | Calibration frequency | Functional criteria check |
|-------------|-----------------------|---------------------------|
| 3 - 1 | 12 | N/A |

| | |
|--------------------------|--|
| Use | Tool used for the check of the vibratory level of the engine |
| Use particularity | |

| Alternate | Part Number | Description |
|-----------|-------------|-------------|
| | | |

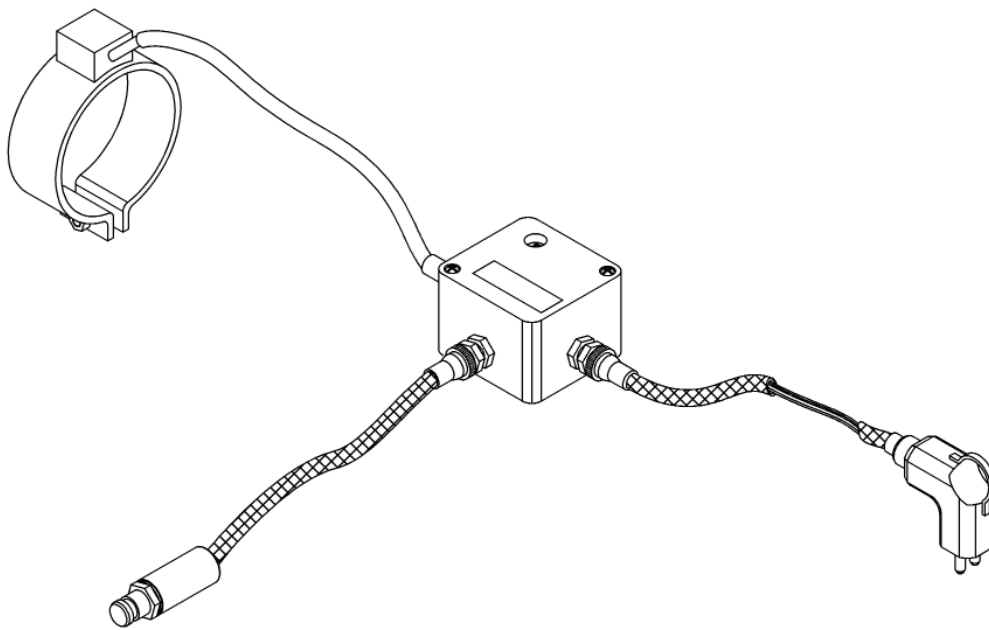
| | TOOL | | | P/N | DESCRIPTION | QTY |
|---|---------|------|------|------------|--|-----|
| | OT No. | Ind. | Ind. | | | |
| | 40 0460 | | | TM4865G001 | KIT, VIBRATIONS TEST B&K 3656-A | 1 |
| - | 40 0460 | A | | TM5351G001 | . ACQUISITION SYSTEM B&K 2250-H-100 | 1 |
| - | 40 0460 | A | 1 | TM5351G101 | . . PACKAGING B&K KE-0440 | 1 |
| | 40 0460 | A | 2 | TM5351G201 | . . VIBROMETER B&K 2250-H-001 | NP |
| - | 40 0460 | A | 3 | TM5351P201 | . . BOX B&K 2250 | NP |
| - | 40 0460 | A | 4 | TM5351P202 | . . BATTERY B&K QB-0061 | 1 |
| - | 40 0460 | A | 5 | TM5351P203 | . . COVER B&K FB-0679 | 1 |
| - | 40 0460 | A | 6 | TM5351P204 | . . PROTECTION PLUG B&K DD-0594 | 1 |
| - | 40 0460 | A | 7 | TM5351G301 | . . SD CARD B&K UL-1009 | NP |
| - | 40 0460 | A | 8 | TM5351G401 | . . ACQUISITION SOFTWARE B&K BZ-7226 | 1 |
| - | 40 0460 | A | 9 | TM5351G501 | . . MAINS ADAPTATOR B&K ZG-0426 | 1 |
| - | 40 0460 | A | 10 | TM5351G601 | . . USB/MINI USB ADAPTATOR B&K AO-1476 | 1 |
| - | 40 0460 | A | 11 | TM5351G701 | . . STYLET B&K UA-1654 | 5 |
| - | 40 0460 | B | | TM5352G001 | . PACKAGING AND MEASURE KIT B&K 8324-G-002 | 1 |
| | 40 0460 | B | 1 | TM5352G101 | . . CHARGE TO DELTATRON CONVERTER B&K 2647-D-004 | 1 |
| | 40 0460 | B | 2 | 9610017700 | . . HIGH TEMPERATURE ACCELEROMETER B&K 8324 | 1 |
| | 40 0460 | B | 3 | 1616040107 | . . SCREW CHC M4x10 B&K YS-8407 | 3 |

- ITEM NOT ILLUSTRATED

NP NON PROCURABLE

TM5040G001

Description: EQUIPPED HEATING CLAMP



TURBOMECA ARRIUS 2 F

MAINTENANCE TOOLS CATALOG

| <i>Description</i> | <i>Part Number</i> |
|-------------------------------|--------------------|
| EQUIPPED HEATING CLAMP | TM5040G001 |

| |
|------------------------------------|
| <i>This tool replaces the tool</i> |
|------------------------------------|

| <i>Supply code</i> | <i>Calibration frequency</i> | <i>Functional criteria check</i> |
|--------------------|------------------------------|----------------------------------|
| 3 - 2 | N/A | N/A |

| <i>Use</i> | |
|------------|--|
|------------|--|

| <i>Use particularity</i> | |
|--------------------------|--|
|--------------------------|--|

| <i>Alternate</i> | <i>Part Number</i> | <i>Description</i> |
|------------------|--------------------|--------------------|
| | | |

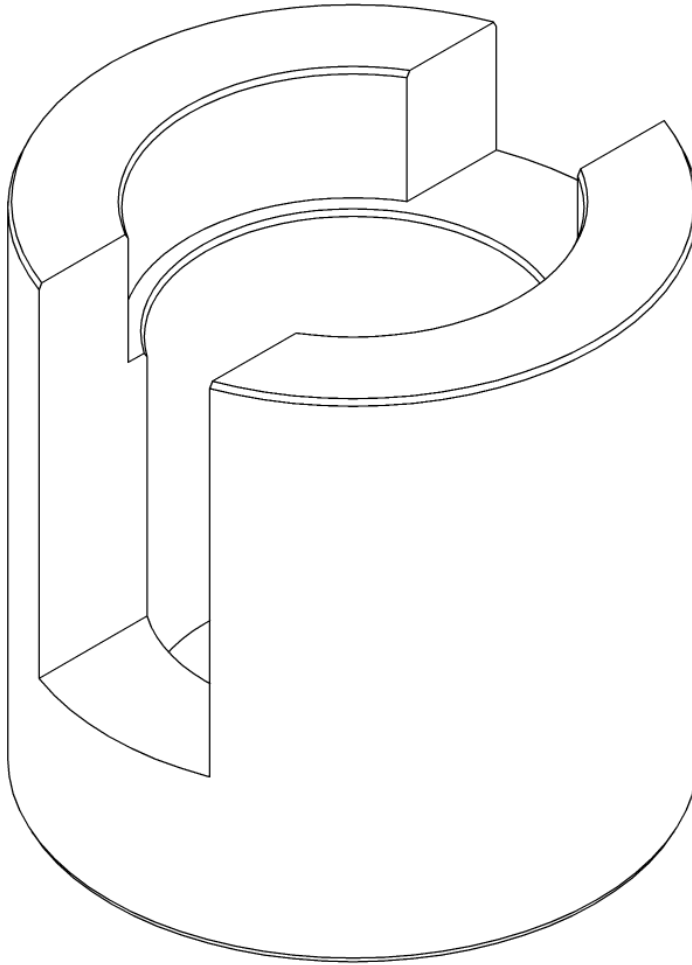
| | TOOL | | | P/N | DESCRIPTION | QTY |
|---|---------|------|------|------------|------------------------|-----|
| | OT No. | Ind. | Ind. | | | |
| 1 | 40 0500 | | | TM5040G001 | EQUIPPED HEATING CLAMP | 1 |

- ITEM NOT ILLUSTRATED

NP NON PROCURABLE

TA5150G001

Description: MOULDING



TURBOMECA ARRIUS 2 F

| | |
|--------------------|--------------------|
| <i>Description</i> | <i>Part Number</i> |
| MOULDING | TA5150G001 |

| |
|------------------------------------|
| <i>This tool replaces the tool</i> |
|------------------------------------|

| | | |
|--------------------|------------------------------|----------------------------------|
| <i>Supply code</i> | <i>Calibration frequency</i> | <i>Functional criteria check</i> |
| 3 - 2 | N/A | N/A |

| | |
|------------|--|
| <i>Use</i> | |
|------------|--|

| | |
|--------------------------|--|
| <i>Use particularity</i> | |
|--------------------------|--|

| | | |
|------------------|--------------------|--------------------|
| <i>Alternate</i> | <i>Part Number</i> | <i>Description</i> |
| | | |

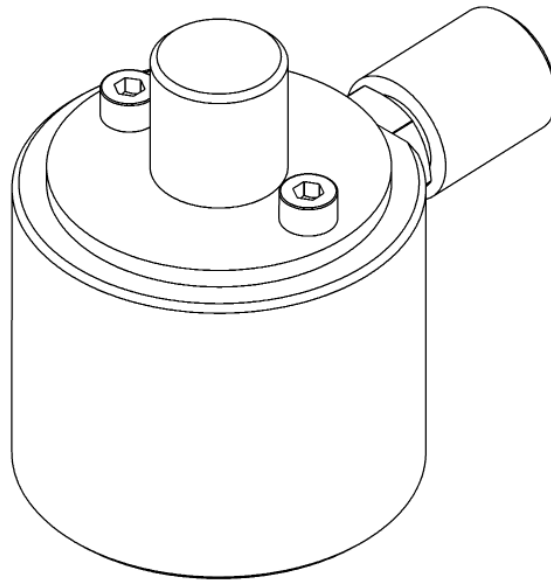
| | TOOL | | | P/N | DESCRIPTION | QTY |
|---|---------|------|------|------------|-------------|-----|
| | OT No. | Ind. | Ind. | | | |
| 1 | 40 0510 | | | TA5150G001 | MOULDING | 1 |

- ITEM NOT ILLUSTRATED

NP NON PROCURABLE

TM5596G001

Description: ADAPTER



TURBOMECA ARRIUS 2 F

MAINTENANCE TOOLS CATALOG

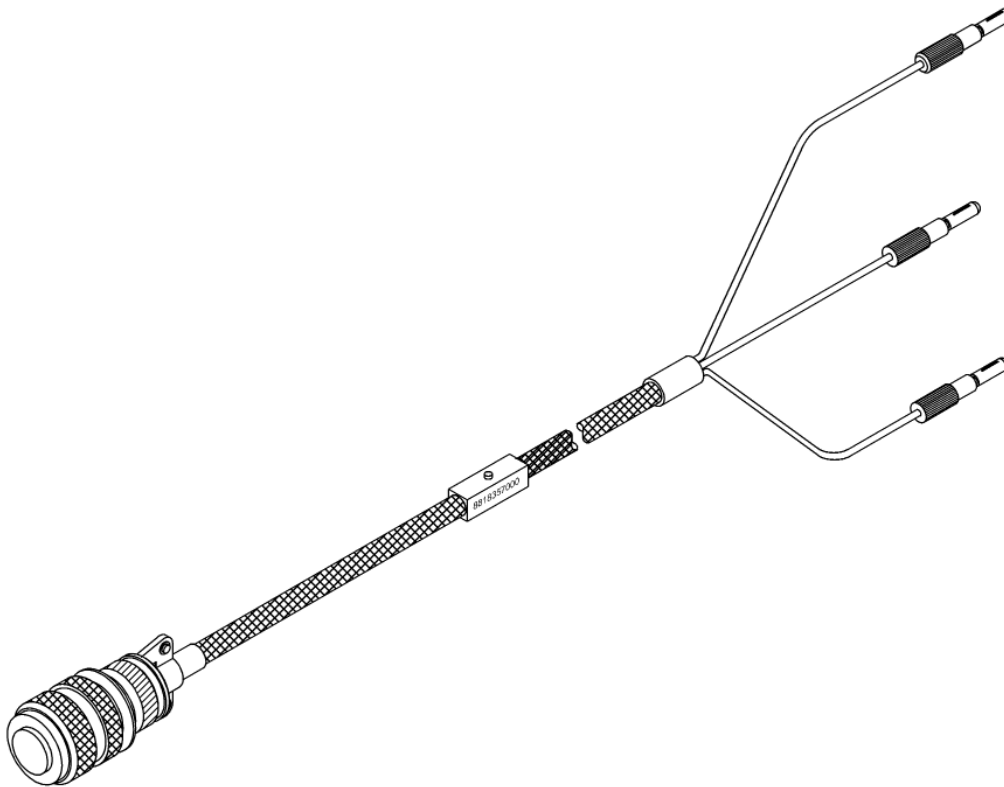
| <i>Description</i> | | <i>Part Number</i> | | | |
|------------------------------------|---|----------------------------------|--------------------|-------------|-----|
| ADAPTER | | TM5596G001 | | | |
| <i>This tool replaces the tool</i> | | | | | |
| <i>Supply code</i> | <i>Calibration frequency</i> | <i>Functional criteria check</i> | | | |
| 3 - 2 | N/A | N/A | | | |
| <i>Use</i> | Adaptation tool for the fuel filter pre-clogging pressure switch. | | | | |
| <i>Use particularity</i> | | | | | |
| <i>Alternate</i> | <i>Part Number</i> | | <i>Description</i> | | |
| | | | | | |
| TOOL | | | | | |
| OT No. | Ind. | Ind. | P/N | DESCRIPTION | QTY |
| 40 0550 | | | TM5596G001 | ADAPTER | 1 |

- ITEM NOT ILLUSTRATED

NP NON PROCURABLE

8818357000

Description: HARNESS



SAFRAN HELICOPTER ENGINES

ARRIUS 2 F

MAINTENANCE TOOLS CATALOG

| <i>Description</i> | <i>Part Number</i> |
|--------------------|--------------------|
| HARNESS | 8818357000 |

| |
|------------------------------------|
| <i>This tool replaces the tool</i> |
|------------------------------------|

| <i>Supply code</i> | <i>Calibration frequency</i> | <i>Functional criteria check</i> |
|--------------------|------------------------------|----------------------------------|
| 3 - 2 | N/A | N/A |

| <i>Use</i> | |
|------------|--|
|------------|--|

| <i>Use particularity</i> | |
|--------------------------|--|
|--------------------------|--|

| <i>Alternate</i> | <i>Part Number</i> | <i>Description</i> |
|------------------|--------------------|--------------------|
| | | |

| TOOL | | | | P/N | DESCRIPTION | QTY |
|---------|------|------|------------|---------|-------------|-----|
| OT No. | Ind. | Ind. | | 1 2 3 | | |
| 40 0570 | | | 8818357000 | HARNESS | | 1 |

- ITEM NOT ILLUSTRATED

NP NON PROCURABLE

9610064970

Description: SYNTESTER



SAFRAN HELICOPTER ENGINES

ARRIUS 2 F

MAINTENANCE TOOLS CATALOG

| <i>Description</i> | <i>Part Number</i> |
|--------------------|--------------------|
| SYNTESTER | 9610064970 |

| |
|------------------------------------|
| <i>This tool replaces the tool</i> |
|------------------------------------|

| <i>Supply code</i> | <i>Calibration frequency</i> | <i>Functional criteria check</i> |
|--------------------|------------------------------|----------------------------------|
| 3 - 2 | N/A | N/A |

| <i>Use</i> | Tooling that allows the control of the SYNTHAM 2000.4 measurement chain. |
|------------|--|
|------------|--|

| <i>Use particularity</i> | |
|--------------------------|--|
|--------------------------|--|

| <i>Alternate</i> | <i>Part Number</i> | <i>Description</i> |
|------------------|--------------------|--------------------|
| | | |

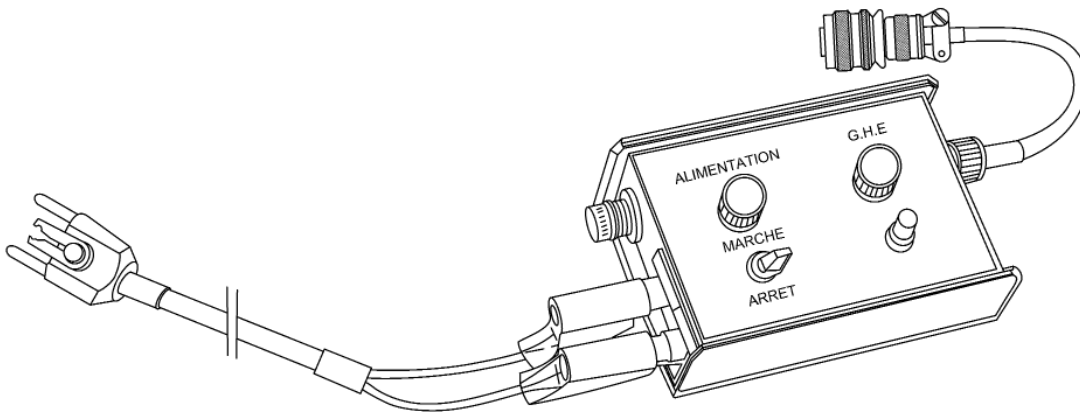
| | TOOL | | | P/N | DESCRIPTION | QTY |
|---|---------|------|------|------------|-------------|-----|
| | OT No. | Ind. | Ind. | | | |
| I | 40 0600 | | | 9610064970 | SYNTESTER | 1 |

- ITEM NOT ILLUSTRATED

NP NON PROCURABLE

8816445000

Description: CONTROL BOX



SAFRAN HELICOPTER ENGINES

ARRIUS 2 F

MAINTENANCE TOOLS CATALOG

| | |
|--------------------|--------------------|
| <i>Description</i> | <i>Part Number</i> |
| CONTROL BOX | 8816445000 |

| |
|------------------------------------|
| <i>This tool replaces the tool</i> |
|------------------------------------|

| | | |
|--------------------|------------------------------|----------------------------------|
| <i>Supply code</i> | <i>Calibration frequency</i> | <i>Functional criteria check</i> |
| 3 - 2 | N/A | N/A |

| | |
|------------|--|
| <i>Use</i> | |
|------------|--|

| | |
|--------------------------|--|
| <i>Use particularity</i> | |
|--------------------------|--|

| | | |
|------------------|--------------------|--------------------|
| <i>Alternate</i> | <i>Part Number</i> | <i>Description</i> |
| | | |

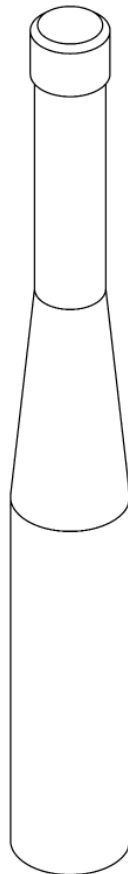
| TOOL | | | | P/N | DESCRIPTION | QTY |
|---------|------|------|------------|-------------|-------------|-----|
| OT No. | Ind. | Ind. | | 1 2 3 | | |
| 40 0700 | | | 8816445000 | CONTROL BOX | | 1 |

- ITEM NOT ILLUSTRATED

NP NON PROCURABLE

TM0466G001

Description: ASSEMBLY CONE



SAFRAN HELICOPTER ENGINES

ARRIUS 2 F

MAINTENANCE TOOLS CATALOG

| <i>Description</i> | <i>Part Number</i> |
|----------------------|--------------------|
| ASSEMBLY CONE | TM0466G001 |

| |
|------------------------------------|
| <i>This tool replaces the tool</i> |
|------------------------------------|

| <i>Supply code</i> | <i>Calibration frequency</i> | <i>Functional criteria check</i> |
|--------------------|------------------------------|----------------------------------|
| 3 - 3 | N/A | N/A |

| <i>Use</i> | |
|------------|--|
|------------|--|

| <i>Use particularity</i> | |
|--------------------------|--|
|--------------------------|--|

| <i>Alternate</i> | <i>Part Number</i> | <i>Description</i> |
|------------------|--------------------|--------------------|
| | | |

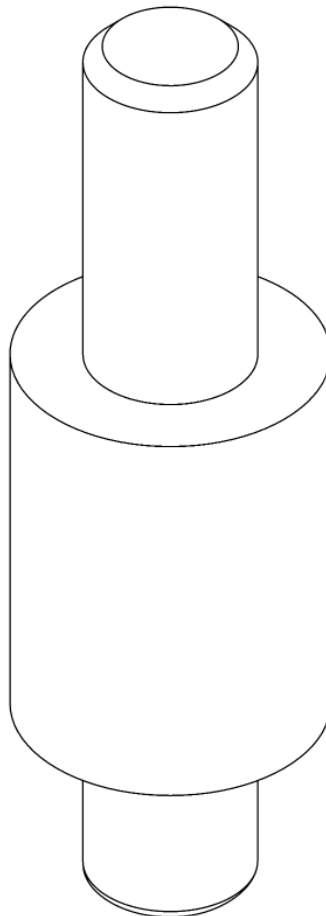
| | TOOL | | | P/N | DESCRIPTION | QTY |
|---|---------|------|------|------------|---------------|-----|
| | OT No. | Ind. | Ind. | | | |
| 1 | 50 0010 | | | TM0466G001 | ASSEMBLY CONE | 1 |

- ITEM NOT ILLUSTRATED

NP NON PROCURABLE

8819849000

Description: INSTALLATION TOOL



SAFRAN HELICOPTER ENGINES

ARRIUS 2 F

MAINTENANCE TOOLS CATALOG

| | |
|--------------------|--------------------|
| <i>Description</i> | <i>Part Number</i> |
| INSTALLATION TOOL | 8819849000 |

| |
|------------------------------------|
| <i>This tool replaces the tool</i> |
|------------------------------------|

| | | |
|--------------------|------------------------------|----------------------------------|
| <i>Supply code</i> | <i>Calibration frequency</i> | <i>Functional criteria check</i> |
| 3 - 2 | N/A | N/A |

| | |
|------------|--|
| <i>Use</i> | |
|------------|--|

| | |
|--------------------------|--|
| <i>Use particularity</i> | |
|--------------------------|--|

| | | |
|------------------|--------------------|--------------------|
| <i>Alternate</i> | <i>Part Number</i> | <i>Description</i> |
| | | |

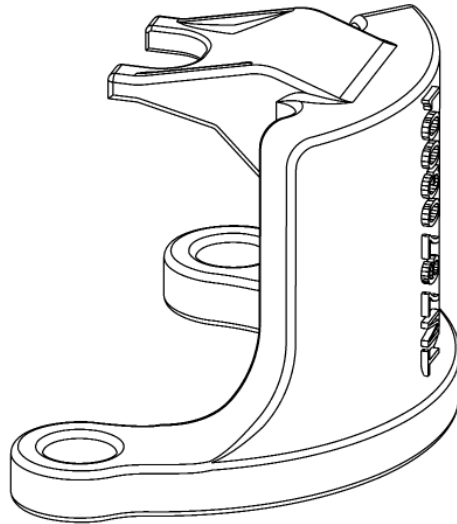
| | TOOL | | | P/N | DESCRIPTION | QTY |
|---|---------|------|------|------------|----------------------------|-----|
| | OT No. | Ind. | Ind. | | | |
| I | 50 0020 | | | 8819849000 | 1 2 3 INSTALLATION TOOL | 1 |

- ITEM NOT ILLUSTRATED

NP NON PROCURABLE

TM7670G001

Description: RETAINING TOOL



SAFRAN HELICOPTER ENGINES

ARRIUS 2 F

MAINTENANCE TOOLS CATALOG

| <i>Description</i> | <i>Part Number</i> |
|--------------------|--------------------|
| RETAINING TOOL | TM7670G001 |

| |
|------------------------------------|
| <i>This tool replaces the tool</i> |
|------------------------------------|

| <i>Supply code</i> | <i>Calibration frequency</i> | <i>Functional criteria check</i> |
|--------------------|------------------------------|----------------------------------|
| 3 - 2 | N/A | N/A |

| <i>Use</i> | |
|------------|--|
|------------|--|

| <i>Use particularity</i> | |
|--------------------------|--|
|--------------------------|--|

| <i>Alternate</i> | <i>Part Number</i> | <i>Description</i> |
|------------------|--------------------|--------------------|
| | | |

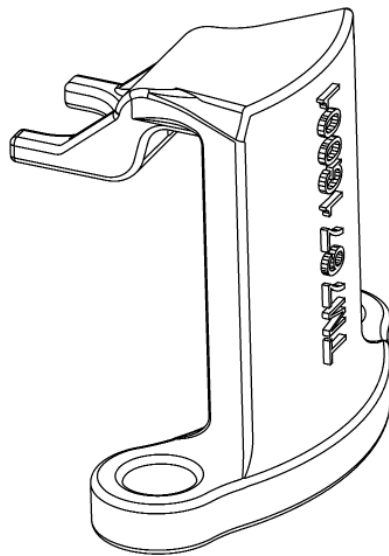
| | TOOL | | | P/N | DESCRIPTION | QTY |
|---|---------|------|------|------------|----------------|-----|
| | OT No. | Ind. | Ind. | | | |
| I | 50 0030 | | | TM7670G001 | RETAINING TOOL | 1 |

- ITEM NOT ILLUSTRATED

NP NON PROCURABLE

TM7671G001

Description: RETAINING TOOL



SAFRAN HELICOPTER ENGINES

ARRIUS 2 F

MAINTENANCE TOOLS CATALOG

| <i>Description</i> | <i>Part Number</i> |
|-----------------------|--------------------|
| RETAINING TOOL | TM7671G001 |

| |
|------------------------------------|
| <i>This tool replaces the tool</i> |
|------------------------------------|

| <i>Supply code</i> | <i>Calibration frequency</i> | <i>Functional criteria check</i> |
|--------------------|------------------------------|----------------------------------|
| 3 - 2 | N/A | N/A |

| | |
|------------|--|
| <i>Use</i> | |
|------------|--|

| | |
|--------------------------|--|
| <i>Use particularity</i> | |
|--------------------------|--|

| <i>Alternate</i> | <i>Part Number</i> | <i>Description</i> |
|------------------|--------------------|--------------------|
| | | |

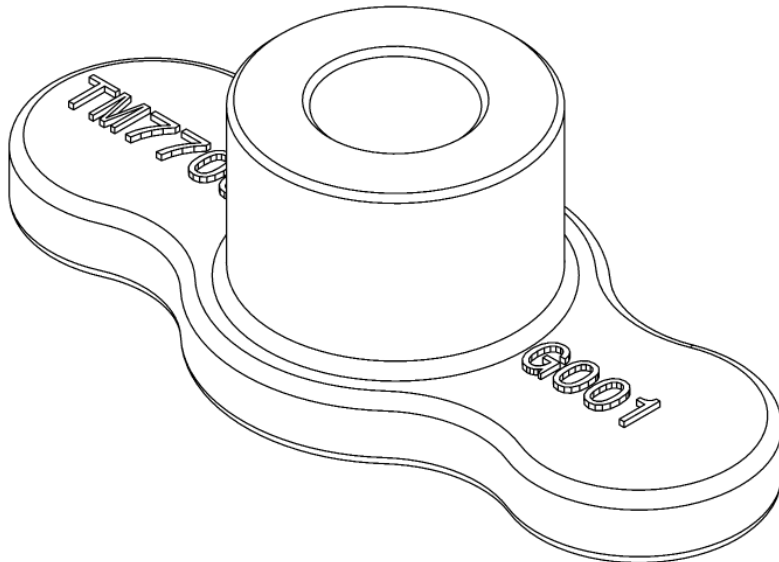
| | TOOL | | | P/N | DESCRIPTION | QTY |
|---|---------|------|------|------------|----------------|-----|
| | OT No. | Ind. | Ind. | | | |
| 1 | 50 0040 | | | TM7671G001 | RETAINING TOOL | 1 |

- ITEM NOT ILLUSTRATED

NP NON PROCURABLE

TM7706G001

Description: INSTALLATION TOOL



SAFRAN HELICOPTER ENGINES

ARRIUS 2 F

MAINTENANCE TOOLS CATALOG

| | |
|--------------------|--------------------|
| <i>Description</i> | <i>Part Number</i> |
| INSTALLATION TOOL | TM7706G001 |

| |
|------------------------------------|
| <i>This tool replaces the tool</i> |
|------------------------------------|

| | | |
|--------------------|------------------------------|----------------------------------|
| <i>Supply code</i> | <i>Calibration frequency</i> | <i>Functional criteria check</i> |
| 3 - 2 | N/A | N/A |

| | |
|------------|--|
| <i>Use</i> | |
|------------|--|

| | |
|--------------------------|--|
| <i>Use particularity</i> | |
|--------------------------|--|

| | | |
|------------------|--------------------|--------------------|
| <i>Alternate</i> | <i>Part Number</i> | <i>Description</i> |
| | | |

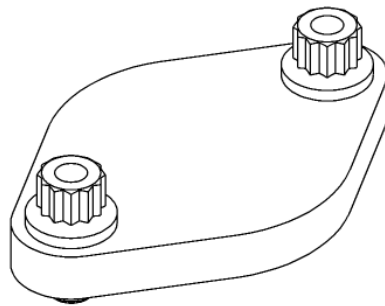
| | TOOL | | | P/N | DESCRIPTION | QTY |
|---|---------|------|------|------------|----------------------------|-----|
| | OT No. | Ind. | Ind. | | | |
| I | 50 0050 | | | TM7706G001 | 1 2 3 INSTALLATION TOOL | 1 |

- ITEM NOT ILLUSTRATED

NP NON PROCURABLE

TM4585G001

Description: PLUG



SAFRAN HELICOPTER ENGINES

ARRIUS 2 F

MAINTENANCE TOOLS CATALOG

| <i>Description</i> | <i>Part Number</i> |
|--------------------|--------------------|
| PLUG | TM4585G001 |

| |
|------------------------------------|
| <i>This tool replaces the tool</i> |
|------------------------------------|

| <i>Supply code</i> | <i>Calibration frequency</i> | <i>Functional criteria check</i> |
|--------------------|------------------------------|----------------------------------|
| 3 - 2 | N/A | N/A |

| | |
|------------|--|
| <i>Use</i> | |
|------------|--|

| | |
|--------------------------|--|
| <i>Use particularity</i> | |
|--------------------------|--|

| <i>Alternate</i> | <i>Part Number</i> | <i>Description</i> |
|------------------|--------------------|--------------------|
| | | |

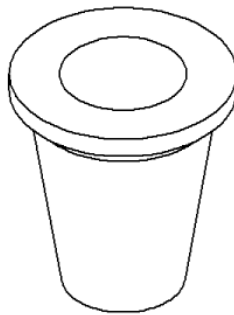
| | TOOL | | | P/N | DESCRIPTION | QTY |
|---|---------|------|------|------------|-------------|-----|
| | OT No. | Ind. | Ind. | | | |
| I | 50 3040 | | | TM4585G001 | PLUG | 1 |

- ITEM NOT ILLUSTRATED

NP NON PROCURABLE

9561490180

Description: PLUG



SAFRAN HELICOPTER ENGINES

ARRIUS 2 F

MAINTENANCE TOOLS CATALOG

| <i>Description</i> | <i>Part Number</i> |
|--------------------|--------------------|
| PLUG | 9561490180 |

| |
|------------------------------------|
| <i>This tool replaces the tool</i> |
|------------------------------------|

| <i>Supply code</i> | <i>Calibration frequency</i> | <i>Functional criteria check</i> |
|--------------------|------------------------------|----------------------------------|
| 3 - 2 | N/A | N/A |

| | |
|------------|--|
| <i>Use</i> | |
|------------|--|

| | |
|--------------------------|--|
| <i>Use particularity</i> | |
|--------------------------|--|

| <i>Alternate</i> | <i>Part Number</i> | <i>Description</i> |
|------------------|--------------------|--------------------|
| | | |

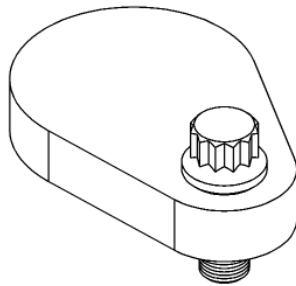
| TOOL | | | | P/N | DESCRIPTION | QTY |
|---------|------|------|------------|-------|-------------|-----|
| OT No. | Ind. | Ind. | | 1 2 3 | | |
| 50 3050 | | | 9561490180 | PLUG | | 1 |

- ITEM NOT ILLUSTRATED

NP NON PROCURABLE

TM4582G001

Description: PLUG



SAFRAN HELICOPTER ENGINES

ARRIUS 2 F

MAINTENANCE TOOLS CATALOG

| <i>Description</i> | <i>Part Number</i> |
|--------------------|--------------------|
| PLUG | TM4582G001 |

| |
|------------------------------------|
| <i>This tool replaces the tool</i> |
|------------------------------------|

| <i>Supply code</i> | <i>Calibration frequency</i> | <i>Functional criteria check</i> |
|--------------------|------------------------------|----------------------------------|
| 3 - 2 | N/A | N/A |

| | |
|------------|--|
| <i>Use</i> | |
|------------|--|

| | |
|--------------------------|--|
| <i>Use particularity</i> | |
|--------------------------|--|

| <i>Alternate</i> | <i>Part Number</i> | <i>Description</i> |
|------------------|--------------------|--------------------|
| | | |

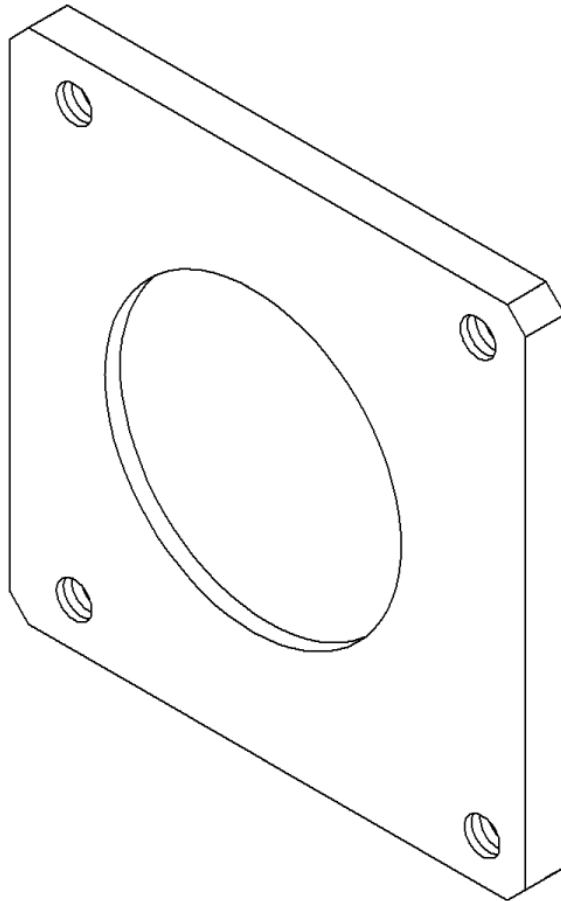
| | TOOL | | | P/N | DESCRIPTION | QTY |
|---|---------|------|------|------------|-------------|-----|
| | OT No. | Ind. | Ind. | | | |
| I | 50 3060 | | | TM4582G001 | PLUG | 7 |

- ITEM NOT ILLUSTRATED

NP NON PROCURABLE

8816228000

Description: PROTECTOR



SAFRAN HELICOPTER ENGINES

ARRIUS 2 F

MAINTENANCE TOOLS CATALOG

| | |
|--------------------|--------------------|
| <i>Description</i> | <i>Part Number</i> |
| PROTECTOR | 8816228000 |

| |
|------------------------------------|
| <i>This tool replaces the tool</i> |
|------------------------------------|

| | | |
|--------------------|------------------------------|----------------------------------|
| <i>Supply code</i> | <i>Calibration frequency</i> | <i>Functional criteria check</i> |
| 3 - 2 | N/A | N/A |

| | |
|------------|--|
| <i>Use</i> | |
|------------|--|

| | |
|--------------------------|--|
| <i>Use particularity</i> | |
|--------------------------|--|

| | | |
|------------------|--------------------|--------------------|
| <i>Alternate</i> | <i>Part Number</i> | <i>Description</i> |
| | | |

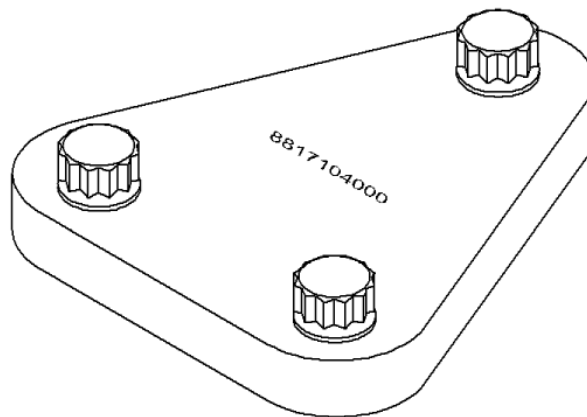
| TOOL | | | | P/N | DESCRIPTION | QTY |
|---------|------|------|------------|-----------|-------------|-----|
| OT No. | Ind. | Ind. | | 1 2 3 | | |
| 50 3080 | | | 8816228000 | PROTECTOR | | 1 |

- ITEM NOT ILLUSTRATED

NP NON PROCURABLE

TM4362G001

Description: PLUG



SAFRAN HELICOPTER ENGINES

ARRIUS 2 F

MAINTENANCE TOOLS CATALOG

| <i>Description</i> | <i>Part Number</i> |
|--------------------|--------------------|
| PLUG | TM4362G001 |

| |
|------------------------------------|
| <i>This tool replaces the tool</i> |
|------------------------------------|

| <i>Supply code</i> | <i>Calibration frequency</i> | <i>Functional criteria check</i> |
|--------------------|------------------------------|----------------------------------|
| 3 - 2 | N/A | N/A |

| | |
|------------|--|
| <i>Use</i> | |
|------------|--|

| | |
|--------------------------|--|
| <i>Use particularity</i> | |
|--------------------------|--|

| <i>Alternate</i> | <i>Part Number</i> | <i>Description</i> |
|------------------|--------------------|--------------------|
| | | |

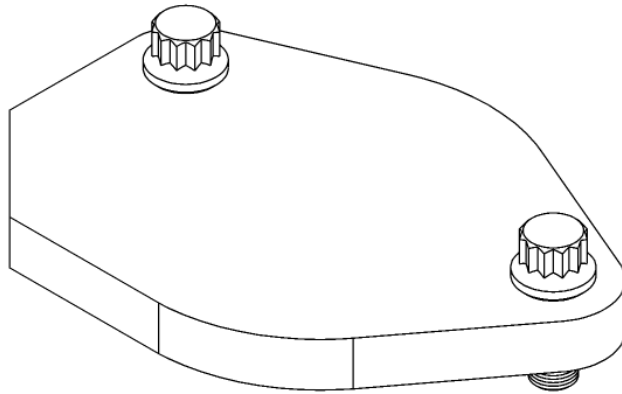
| | TOOL | | | P/N | DESCRIPTION | QTY |
|---|---------|------|------|------------|-------------|-----|
| | OT No. | Ind. | Ind. | | | |
| 1 | 50 3090 | | | TM4362G001 | PLUG | 1 |

- ITEM NOT ILLUSTRATED

NP NON PROCURABLE

TM4583G001

Description: PLUG



SAFRAN HELICOPTER ENGINES

ARRIUS 2 F

MAINTENANCE TOOLS CATALOG

| | |
|--------------------|--------------------|
| <i>Description</i> | <i>Part Number</i> |
| PLUG | TM4583G001 |

| |
|------------------------------------|
| <i>This tool replaces the tool</i> |
|------------------------------------|

| | | |
|--------------------|------------------------------|----------------------------------|
| <i>Supply code</i> | <i>Calibration frequency</i> | <i>Functional criteria check</i> |
| 3 - 2 | N/A | N/A |

| | |
|------------|--|
| <i>Use</i> | |
|------------|--|

| | |
|--------------------------|--|
| <i>Use particularity</i> | |
|--------------------------|--|

| | | |
|------------------|--------------------|--------------------|
| <i>Alternate</i> | <i>Part Number</i> | <i>Description</i> |
| | | |

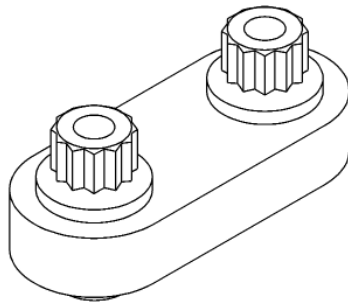
| | TOOL | | | P/N | DESCRIPTION | QTY |
|---|---------|------|------|------------|---------------|-----|
| | OT No. | Ind. | Ind. | | | |
| 1 | 50 3130 | | | TM4583G001 | 1 2 3 PLUG | 1 |

- ITEM NOT ILLUSTRATED

NP NON PROCURABLE

TM4584G001

Description: PLUG



SAFRAN HELICOPTER ENGINES

ARRIUS 2 F

MAINTENANCE TOOLS CATALOG

| <i>Description</i> | <i>Part Number</i> |
|--------------------|--------------------|
| PLUG | TM4584G001 |

| |
|------------------------------------|
| <i>This tool replaces the tool</i> |
|------------------------------------|

| <i>Supply code</i> | <i>Calibration frequency</i> | <i>Functional criteria check</i> |
|--------------------|------------------------------|----------------------------------|
| 3 - 2 | N/A | N/A |

| <i>Use</i> | |
|------------|--|
|------------|--|

| <i>Use particularity</i> | |
|--------------------------|--|
|--------------------------|--|

| <i>Alternate</i> | <i>Part Number</i> | <i>Description</i> |
|------------------|--------------------|--------------------|
| | | |

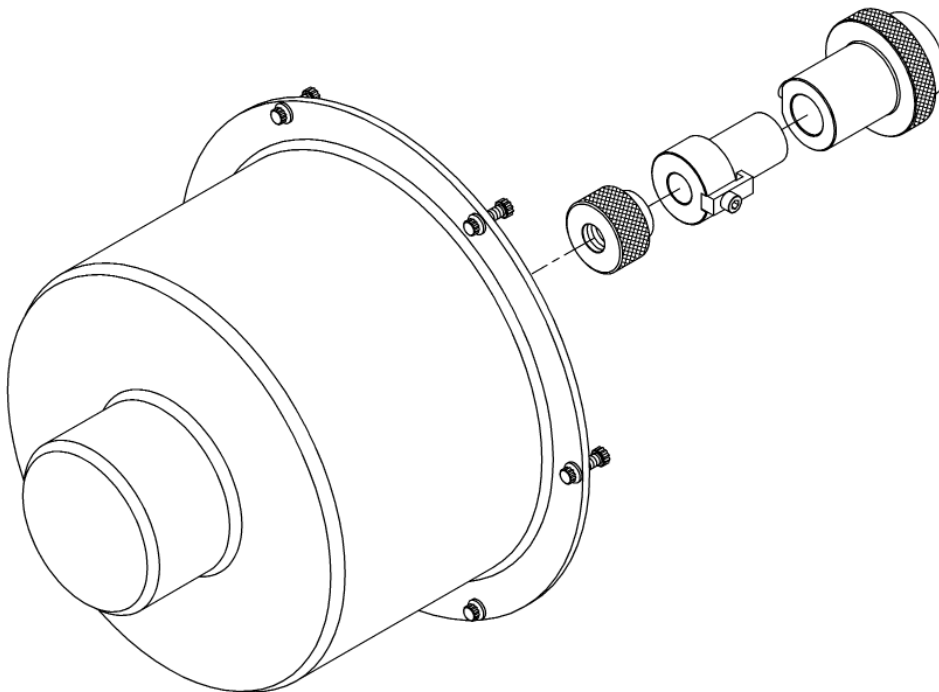
| | TOOL | | | P/N | DESCRIPTION | QTY |
|---|---------|------|------|------------|-------------|-----|
| | OT No. | Ind. | Ind. | | | |
| I | 50 3140 | | | TM4584G001 | PLUG | 1 |

- ITEM NOT ILLUSTRATED

NP NON PROCURABLE

8818656000

Description: PLUG



SAFRAN HELICOPTER ENGINES

ARRIUS 2 F

MAINTENANCE TOOLS CATALOG

| | |
|--------------------|--------------------|
| <i>Description</i> | <i>Part Number</i> |
| PLUG | 8818656000 |

| |
|------------------------------------|
| <i>This tool replaces the tool</i> |
|------------------------------------|

| | | |
|--------------------|------------------------------|----------------------------------|
| <i>Supply code</i> | <i>Calibration frequency</i> | <i>Functional criteria check</i> |
| 3 - 2 | N/A | N/A |

| | |
|------------|--|
| <i>Use</i> | |
|------------|--|

| | |
|--------------------------|--|
| <i>Use particularity</i> | |
|--------------------------|--|

| | | |
|------------------|--------------------|--------------------|
| <i>Alternate</i> | <i>Part Number</i> | <i>Description</i> |
| | | |

| | TOOL | | | P/N | DESCRIPTION | QTY |
|---|---------|------|------|------------|---------------|-----|
| | OT No. | Ind. | Ind. | | | |
| 1 | 50 3160 | | | 8818656000 | 1 2 3 PLUG | 1 |

- ITEM NOT ILLUSTRATED

NP NON PROCURABLE

8817102000

Description: PLUG



SAFRAN HELICOPTER ENGINES

ARRIUS 2 F

MAINTENANCE TOOLS CATALOG

| <i>Description</i> | <i>Part Number</i> |
|--------------------|--------------------|
| PLUG | 8817102000 |

| |
|------------------------------------|
| <i>This tool replaces the tool</i> |
|------------------------------------|

| <i>Supply code</i> | <i>Calibration frequency</i> | <i>Functional criteria check</i> |
|--------------------|------------------------------|----------------------------------|
| 3 - 2 | N/A | N/A |

| | |
|------------|--|
| <i>Use</i> | |
|------------|--|

| | |
|--------------------------|--|
| <i>Use particularity</i> | |
|--------------------------|--|

| <i>Alternate</i> | <i>Part Number</i> | <i>Description</i> |
|------------------|--------------------|--------------------|
| | | |

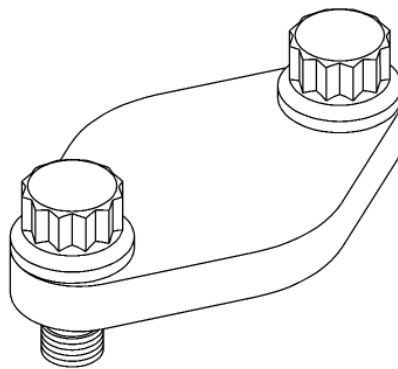
| | TOOL | | | P/N | DESCRIPTION | QTY |
|---|---------|------|------|------------|-------------|-----|
| | OT No. | Ind. | Ind. | | | |
| I | 50 3220 | | | 8817102000 | PLUG | 2 |

- ITEM NOT ILLUSTRATED

NP NON PROCURABLE

TM4588G001

Description: PLUG



SAFRAN HELICOPTER ENGINES

ARRIUS 2 F

MAINTENANCE TOOLS CATALOG

| <i>Description</i> | <i>Part Number</i> |
|--------------------|--------------------|
| PLUG | TM4588G001 |

| |
|------------------------------------|
| <i>This tool replaces the tool</i> |
|------------------------------------|

| <i>Supply code</i> | <i>Calibration frequency</i> | <i>Functional criteria check</i> |
|--------------------|------------------------------|----------------------------------|
| 3 - 2 | N/A | N/A |

| <i>Use</i> | |
|------------|--|
|------------|--|

| <i>Use particularity</i> | |
|--------------------------|--|
|--------------------------|--|

| <i>Alternate</i> | <i>Part Number</i> | <i>Description</i> |
|------------------|--------------------|--------------------|
| | | |

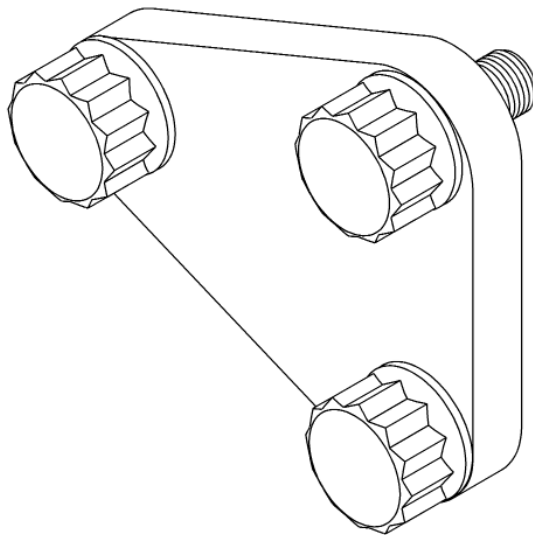
| | TOOL | | | P/N | DESCRIPTION | QTY |
|---|---------|------|------|------------|---------------|-----|
| | OT No. | Ind. | Ind. | | | |
| I | 50 3230 | | | TM4588G001 | 1 2 3 PLUG | 1 |

- ITEM NOT ILLUSTRATED

NP NON PROCURABLE

TM0084G001

Description: PLUG



SAFRAN HELICOPTER ENGINES

ARRIUS 2 F

MAINTENANCE TOOLS CATALOG

| | |
|--------------------|--------------------|
| <i>Description</i> | <i>Part Number</i> |
| PLUG | TM0084G001 |

| |
|------------------------------------|
| <i>This tool replaces the tool</i> |
|------------------------------------|

| | | |
|--------------------|------------------------------|----------------------------------|
| <i>Supply code</i> | <i>Calibration frequency</i> | <i>Functional criteria check</i> |
| 3 - 2 | N/A | N/A |

| | |
|------------|--|
| <i>Use</i> | |
|------------|--|

| | |
|--------------------------|--|
| <i>Use particularity</i> | |
|--------------------------|--|

| | | |
|------------------|--------------------|--------------------|
| <i>Alternate</i> | <i>Part Number</i> | <i>Description</i> |
| | | |

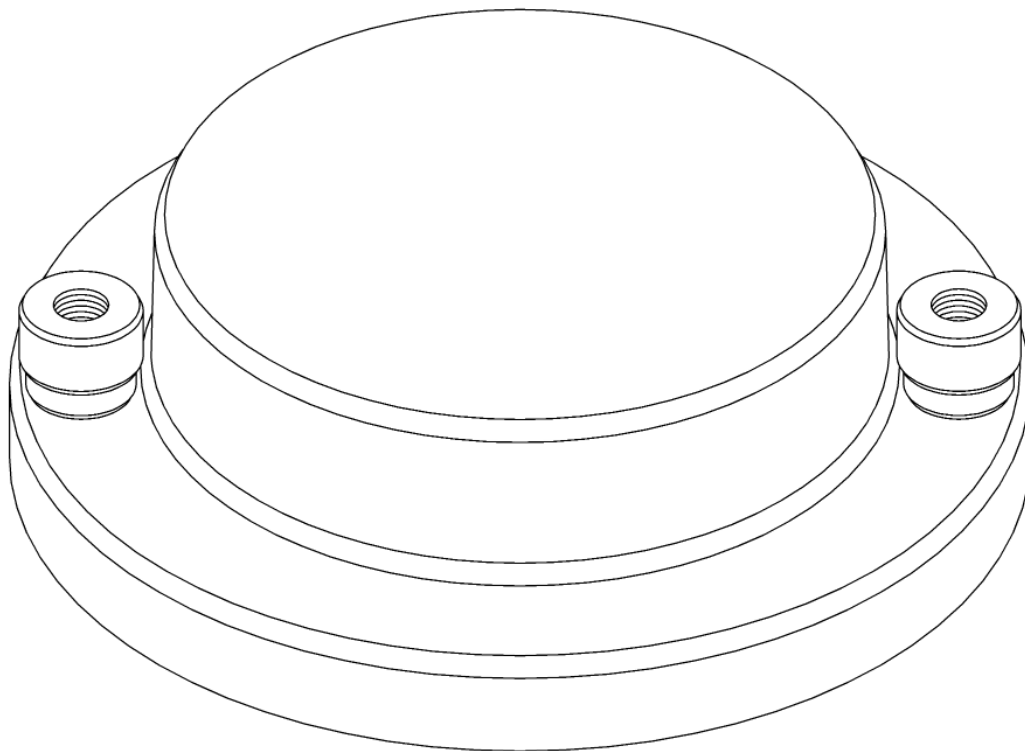
| | TOOL | | | P/N | DESCRIPTION | QTY |
|---|---------|------|------|------------|---------------|-----|
| | OT No. | Ind. | Ind. | | | |
| 1 | 50 3240 | | | TM0084G001 | 1 2 3 PLUG | 1 |

- ITEM NOT ILLUSTRATED

NP NON PROCURABLE

8819830000

Description: PLUG



SAFRAN HELICOPTER ENGINES

ARRIUS 2 F

MAINTENANCE TOOLS CATALOG

| <i>Description</i> | <i>Part Number</i> |
|--------------------|--------------------|
| PLUG | 8819830000 |

| |
|------------------------------------|
| <i>This tool replaces the tool</i> |
|------------------------------------|

| <i>Supply code</i> | <i>Calibration frequency</i> | <i>Functional criteria check</i> |
|--------------------|------------------------------|----------------------------------|
| 3 - 2 | N/A | N/A |

| | |
|------------|--|
| <i>Use</i> | |
|------------|--|

| | |
|--------------------------|--|
| <i>Use particularity</i> | |
|--------------------------|--|

| <i>Alternate</i> | <i>Part Number</i> | <i>Description</i> |
|------------------|--------------------|--------------------|
| | | |

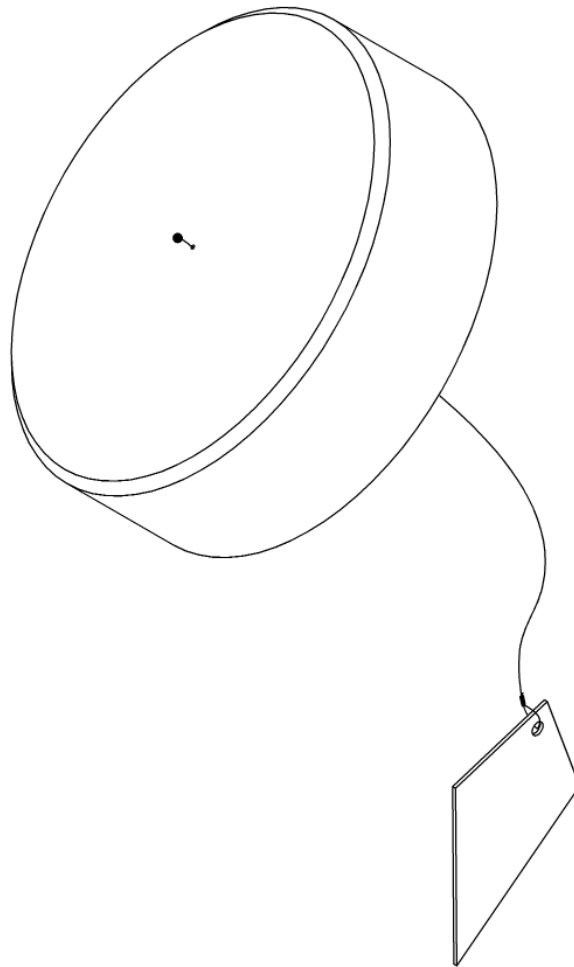
| TOOL | | | | P/N | DESCRIPTION | QTY |
|---------|------|------|------------|-------|-------------|-----|
| OT No. | Ind. | Ind. | | 1 2 3 | | |
| 50 3260 | | | 8819830000 | PLUG | | 1 |

- ITEM NOT ILLUSTRATED

NP NON PROCURABLE

8816446000

Description: PLUG, EXHAUST PIPE



ARRIUS 2 F

| | |
|--------------------|--------------------|
| <i>Description</i> | <i>Part Number</i> |
| PLUG, EXHAUST PIPE | 8816446000 |

| |
|------------------------------------|
| <i>This tool replaces the tool</i> |
|------------------------------------|

| | | |
|--------------------|------------------------------|----------------------------------|
| <i>Supply code</i> | <i>Calibration frequency</i> | <i>Functional criteria check</i> |
| 3 - 2 | N/A | N/A |

| | |
|------------|--|
| <i>Use</i> | |
|------------|--|

| | |
|--------------------------|--|
| <i>Use particularity</i> | |
|--------------------------|--|

| | | |
|------------------|--------------------|--------------------|
| <i>Alternate</i> | <i>Part Number</i> | <i>Description</i> |
| | TM7637G001 | PLUG, EXHAUST PIPE |

| | TOOL | | | P/N | DESCRIPTION | QTY |
|---|---------|------|------|------------|-----------------------------|-----|
| | OT No. | Ind. | Ind. | | | |
| 1 | 50 3340 | | | 8816446000 | 1 2 3 PLUG, EXHAUST PIPE | 1 |

- ITEM NOT ILLUSTRATED

NP NON PROCURABLE

| | |
|------------|-------------------|
| 9560111050 | Description: PLUG |
|------------|-------------------|

NON ILLUSTRATED TOOL

SAFRAN HELICOPTER ENGINES

MAINTENANCE TOOLS CATALOG

ARRIUS 2 F

| <i>Description</i> | <i>Part Number</i> |
|--------------------|--------------------|
| PLUG | 9560111050 |

| |
|------------------------------------|
| <i>This tool replaces the tool</i> |
|------------------------------------|

| <i>Supply code</i> | <i>Calibration frequency</i> | <i>Functional criteria check</i> |
|--------------------|------------------------------|----------------------------------|
| 3 - 2 | N/A | N/A |

| <i>Use</i> | |
|------------|--|
|------------|--|

| <i>Use particularity</i> | |
|--------------------------|--|
|--------------------------|--|

| <i>Alternate</i> | <i>Part Number</i> | <i>Description</i> |
|------------------|--------------------|--------------------|
| | | |

| | TOOL | | | P/N | DESCRIPTION | QTY |
|-----|---------|------|------|------------|-------------|-----|
| | OT No. | Ind. | Ind. | | | |
| I - | 50 3400 | | | 9560111050 | PLUG | 1 |

- ITEM NOT ILLUSTRATED

NP NON PROCURABLE

| | |
|------------|--------------------------|
| 9789400050 | <i>Description: PLUG</i> |
|------------|--------------------------|

NON ILLUSTRATED TOOL

SAFRAN HELICOPTER ENGINES

ARRIUS 2 F

MAINTENANCE TOOLS CATALOG

| <i>Description</i> | <i>Part Number</i> |
|--------------------|--------------------|
| PLUG | 9789400050 |

| |
|------------------------------------|
| <i>This tool replaces the tool</i> |
|------------------------------------|

| <i>Supply code</i> | <i>Calibration frequency</i> | <i>Functional criteria check</i> |
|--------------------|------------------------------|----------------------------------|
| 3 - 2 | N/A | N/A |

| <i>Use</i> | |
|------------|--|
|------------|--|

| <i>Use particularity</i> | |
|--------------------------|--|
|--------------------------|--|

| <i>Alternate</i> | <i>Part Number</i> | <i>Description</i> |
|------------------|--------------------|--------------------|
| | | |

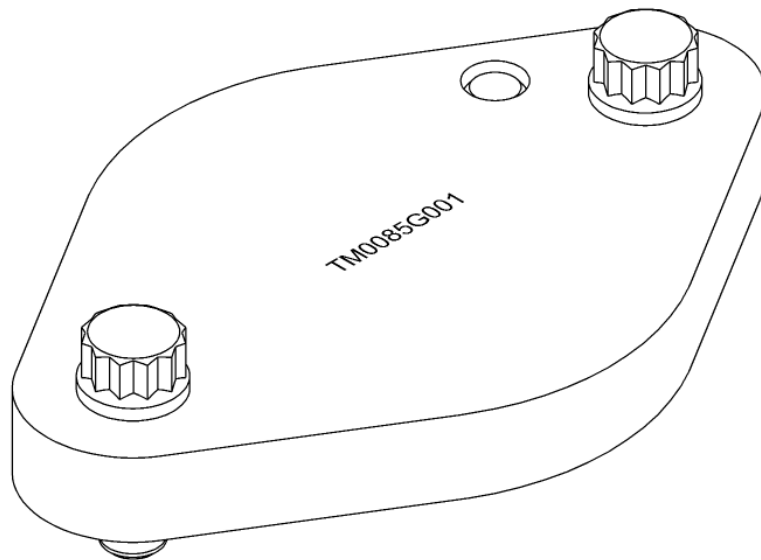
| | TOOL | | | P/N | DESCRIPTION | QTY |
|---|---------|------|------|------------|-------------|-----|
| | OT No. | Ind. | Ind. | | | |
| - | 50 3440 | | | 9789400050 | PLUG | 1 |

- ITEM NOT ILLUSTRATED

NP NON PROCURABLE

TM0085G001

Description: PLUG



SAFRAN HELICOPTER ENGINES

ARRIUS 2 F

MAINTENANCE TOOLS CATALOG

| | |
|--------------------|--------------------|
| <i>Description</i> | <i>Part Number</i> |
| PLUG | TM0085G001 |

| |
|------------------------------------|
| <i>This tool replaces the tool</i> |
|------------------------------------|

| | | |
|--------------------|------------------------------|----------------------------------|
| <i>Supply code</i> | <i>Calibration frequency</i> | <i>Functional criteria check</i> |
| 3 - 2 | N/A | N/A |

| | |
|------------|--|
| <i>Use</i> | |
|------------|--|

| | |
|--------------------------|--|
| <i>Use particularity</i> | |
|--------------------------|--|

| | | |
|------------------|--------------------|--------------------|
| <i>Alternate</i> | <i>Part Number</i> | <i>Description</i> |
| | | |

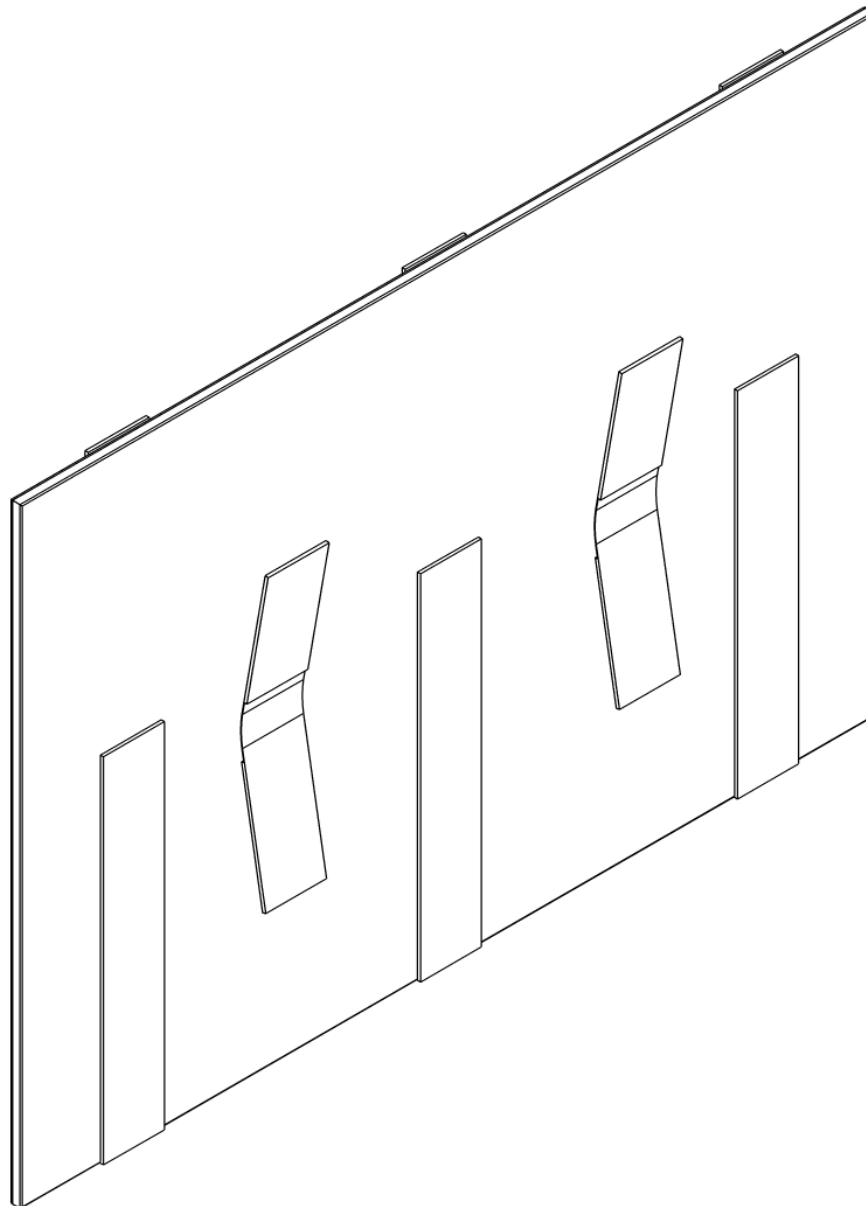
| | TOOL | | | P/N | DESCRIPTION | QTY |
|---|---------|------|------|------------|-------------|-----|
| | OT No. | Ind. | Ind. | | | |
| 1 | 50 3450 | | | TM0085G001 | PLUG | 1 |

- ITEM NOT ILLUSTRATED

NP NON PROCURABLE

TM0133G001

Description: SLEEVE



SAFRAN HELICOPTER ENGINES

ARRIUS 2 F

MAINTENANCE TOOLS CATALOG

| <i>Description</i> | <i>Part Number</i> |
|--------------------|--------------------|
| SLEEVE | TM0133G001 |

| |
|------------------------------------|
| <i>This tool replaces the tool</i> |
|------------------------------------|

| <i>Supply code</i> | <i>Calibration frequency</i> | <i>Functional criteria check</i> |
|--------------------|------------------------------|----------------------------------|
| 3 - 2 | N/A | N/A |

| <i>Use</i> | |
|------------|--|
|------------|--|

| <i>Use particularity</i> | |
|--------------------------|--|
|--------------------------|--|

| <i>Alternate</i> | <i>Part Number</i> | <i>Description</i> |
|------------------|--------------------|--------------------|
| | | |

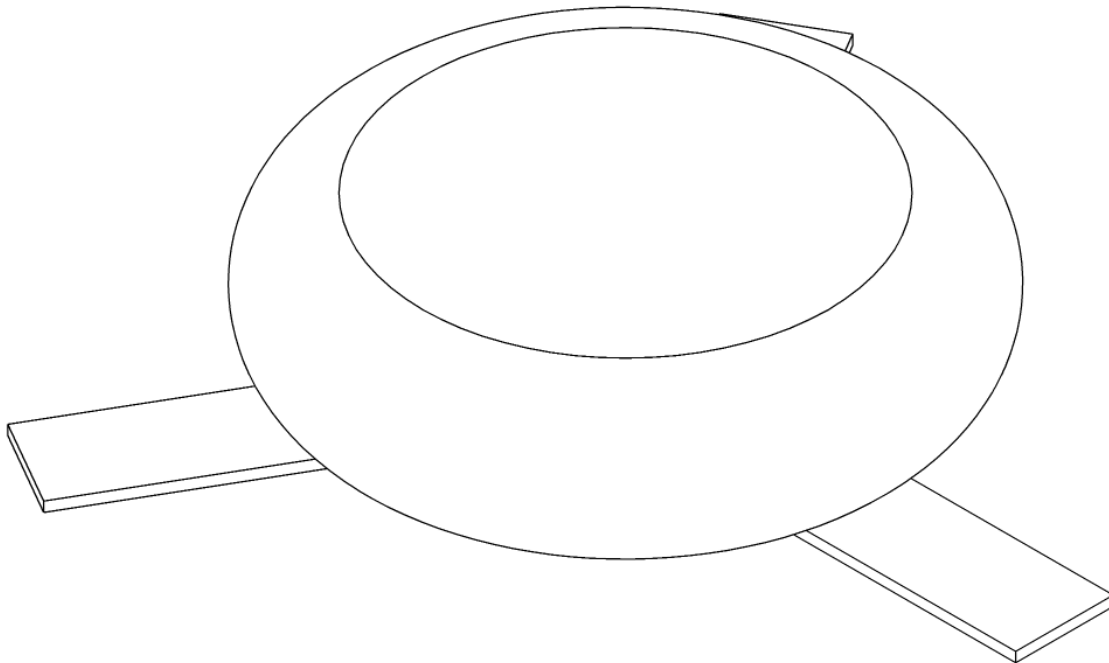
| TOOL | | | | P/N | DESCRIPTION | QTY |
|---------|------|------|------------|--------|-------------|-----|
| OT No. | Ind. | Ind. | | 1 2 3 | | |
| 50 3460 | | | TM0133G001 | SLEEVE | | 1 |

- ITEM NOT ILLUSTRATED

NP NON PROCURABLE

8000263900

Description: PLUG



SAFRAN HELICOPTER ENGINES

ARRIUS 2 F

MAINTENANCE TOOLS CATALOG

| <i>Description</i> | <i>Part Number</i> |
|--------------------|--------------------|
| PLUG | 8000263900 |

| |
|------------------------------------|
| <i>This tool replaces the tool</i> |
|------------------------------------|

| <i>Supply code</i> | <i>Calibration frequency</i> | <i>Functional criteria check</i> |
|--------------------|------------------------------|----------------------------------|
| 3 - 2 | N/A | N/A |

| | |
|------------|--|
| <i>Use</i> | |
|------------|--|

| | |
|--------------------------|--|
| <i>Use particularity</i> | |
|--------------------------|--|

| <i>Alternate</i> | <i>Part Number</i> | <i>Description</i> |
|------------------|--------------------|--------------------|
| | | |

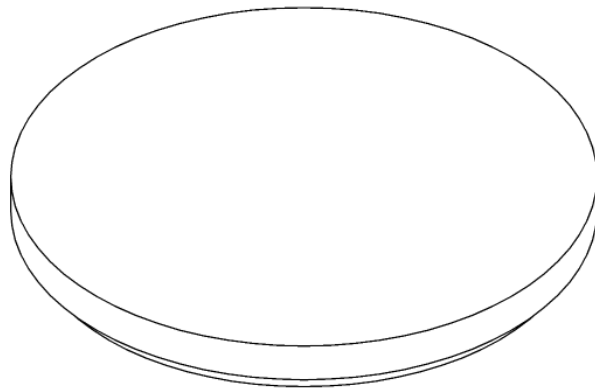
| | TOOL | | | P/N | DESCRIPTION | QTY |
|---|---------|------|------|------------|-------------|-----|
| | OT No. | Ind. | Ind. | | | |
| I | 50 3480 | | | 8000263900 | PLUG | 1 |

- ITEM NOT ILLUSTRATED

NP NON PROCURABLE

8813753000

Description: PLUG



SAFRAN HELICOPTER ENGINES

ARRIUS 2 F

MAINTENANCE TOOLS CATALOG

| <i>Description</i> | <i>Part Number</i> |
|--------------------|--------------------|
| PLUG | 8813753000 |

| |
|------------------------------------|
| <i>This tool replaces the tool</i> |
|------------------------------------|

| <i>Supply code</i> | <i>Calibration frequency</i> | <i>Functional criteria check</i> |
|--------------------|------------------------------|----------------------------------|
| 3 - 2 | N/A | N/A |

| | |
|------------|--|
| <i>Use</i> | |
|------------|--|

| | |
|--------------------------|--|
| <i>Use particularity</i> | |
|--------------------------|--|

| <i>Alternate</i> | <i>Part Number</i> | <i>Description</i> |
|------------------|--------------------|--------------------|
| | | |

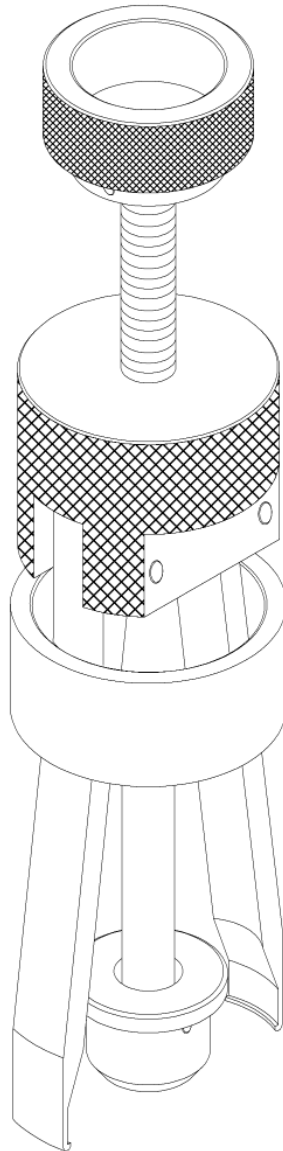
| | TOOL | | | P/N | DESCRIPTION | QTY |
|---|---------|------|------|------------|---------------|-----|
| | OT No. | Ind. | Ind. | | | |
| 1 | 50 3490 | | | 8813753000 | 1 2 3 PLUG | 1 |

- ITEM NOT ILLUSTRATED

NP NON PROCURABLE

TM1664G001

Description: REMOVAL / INSTALLATION TOOL



SAFRAN HELICOPTER ENGINES

ARRIUS 2 F

MAINTENANCE TOOLS CATALOG

| | |
|-----------------------------|--------------------|
| <i>Description</i> | <i>Part Number</i> |
| REMOVAL / INSTALLATION TOOL | TM1664G001 |

| |
|------------------------------------|
| <i>This tool replaces the tool</i> |
|------------------------------------|

| | | |
|--------------------|------------------------------|----------------------------------|
| <i>Supply code</i> | <i>Calibration frequency</i> | <i>Functional criteria check</i> |
| 3 - 2 | N/A | N/A |

| | |
|------------|---|
| <i>Use</i> | Tool used for the modular installation/removal of the magnetic seal rotating ring of the starter plug or the breather plug. |
|------------|---|

| | |
|--------------------------|--|
| <i>Use particularity</i> | |
|--------------------------|--|

| | | |
|------------------|--------------------|--------------------|
| <i>Alternate</i> | <i>Part Number</i> | <i>Description</i> |
| | | |

| | TOOL | | | P/N | DESCRIPTION | QTY |
|---|---------|------|------|------------|-----------------------------|-----|
| | OT No. | Ind. | Ind. | | | |
| - | 60 0060 | | | TM1664G001 | REMOVAL / INSTALLATION TOOL | 1 |
| | 60 0060 | A | | TM1664P004 | . JAW | 1 |

- ITEM NOT ILLUSTRATED

NP NON PROCURABLE

8810131088

Description: SET OF 5 MM-THREADED ROD EXTRACTORS



SAFRAN HELICOPTER ENGINES

ARRIUS 2 F

MAINTENANCE TOOLS CATALOG

| | |
|--|--------------------|
| <i>Description</i> | <i>Part Number</i> |
| SET OF 5 MM-THREADED ROD EXTRACTORS | 8810131088 |

| |
|------------------------------------|
| <i>This tool replaces the tool</i> |
|------------------------------------|

| | | |
|--------------------|------------------------------|----------------------------------|
| <i>Supply code</i> | <i>Calibration frequency</i> | <i>Functional criteria check</i> |
| 3 - 2 | N/A | N/A |

| | |
|------------|--------------------|
| <i>Use</i> | Threaded extractor |
|------------|--------------------|

| | |
|--------------------------|--|
| <i>Use particularity</i> | |
|--------------------------|--|

| | | |
|------------------|--------------------|--------------------|
| <i>Alternate</i> | <i>Part Number</i> | <i>Description</i> |
| | | |

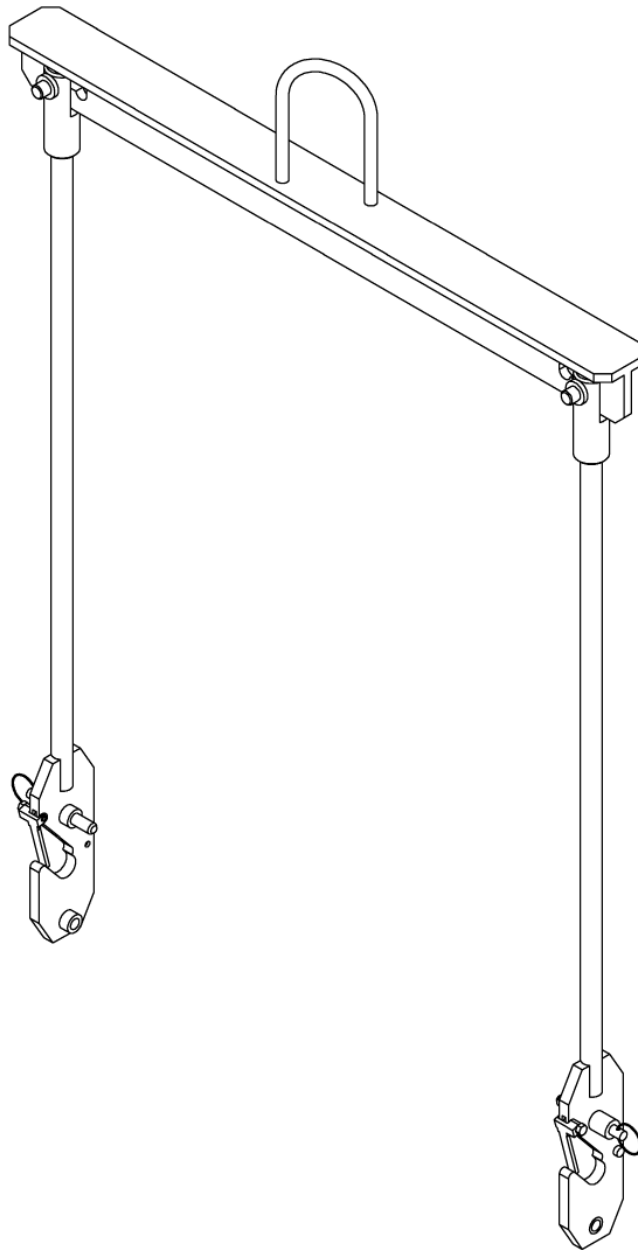
| | TOOL | | | P/N | DESCRIPTION | QTY |
|---|---------|------|------|------------|--|-----|
| | OT No. | Ind. | Ind. | | | |
| 1 | 60 0070 | | | 8810131088 | 1 2 3 SET OF 5 MM-THREADED ROD EXTRACTORS | 1 |

- ITEM NOT ILLUSTRATED

NP NON PROCURABLE

8819323000

Description: HOISTING FORK FITTING ASSEMBLY



SAFRAN HELICOPTER ENGINES

ARRIUS 2 F

MAINTENANCE TOOLS CATALOG

| <i>Description</i> | <i>Part Number</i> |
|--------------------------------|--------------------|
| HOISTING FORK FITTING ASSEMBLY | 8819323000 |

| |
|------------------------------------|
| <i>This tool replaces the tool</i> |
|------------------------------------|

| <i>Supply code</i> | <i>Calibration frequency</i> | <i>Functional criteria check</i> |
|--------------------|------------------------------|----------------------------------|
| 3 - 1 | 12 | N/A |

| | |
|------------|---|
| Use | Tool used to handle the engine with a pulley-block. |
|------------|---|

| | |
|--------------------------|--|
| Use particularity | Supplied without cable nor ring. It is used with tools 8819324000. |
|--------------------------|--|

| <i>Alternate</i> | <i>Part Number</i> | <i>Description</i> |
|------------------|--------------------|--------------------|
| | | |

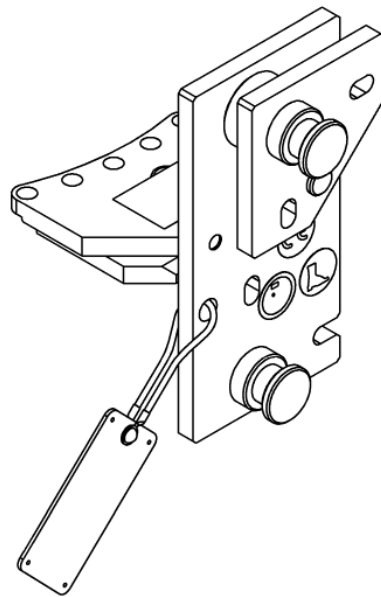
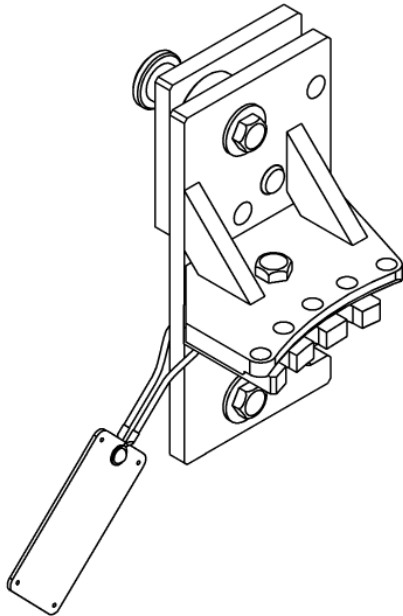
| | TOOL | | | P/N | DESCRIPTION | QTY |
|---|---------|------|------|------------|--------------------------------|-----|
| | OT No. | Ind. | Ind. | | | |
| - | 60 0120 | | | 8819323000 | HOISTING FORK FITTING ASSEMBLY | 1 |
| | 60 0120 | A | | 9610010940 | . SPINDLE | 2 |

- ITEM NOT ILLUSTRATED

NP NON PROCURABLE

8819324000

Description: PIVOTING ADAPTATION



SAFRAN HELICOPTER ENGINES

ARRIUS 2 F

MAINTENANCE TOOLS CATALOG

| <i>Description</i> | <i>Part Number</i> |
|----------------------------|--------------------|
| PIVOTING ADAPTATION | 8819324000 |

| |
|------------------------------------|
| <i>This tool replaces the tool</i> |
|------------------------------------|

| <i>Supply code</i> | <i>Calibration frequency</i> | <i>Functional criteria check</i> |
|--------------------|------------------------------|----------------------------------|
| 3 - 2 | N/A | N/A |

| | |
|------------|---|
| Use | Tool used to rotate the engine assembly or the gas generator module in the vertical position. |
|------------|---|

| | |
|--------------------------|----------------------------------|
| Use particularity | It is used with tool 8819323000. |
|--------------------------|----------------------------------|

| Alternate | <i>Part Number</i> | <i>Description</i> |
|------------------|--------------------|--------------------|
| | | |

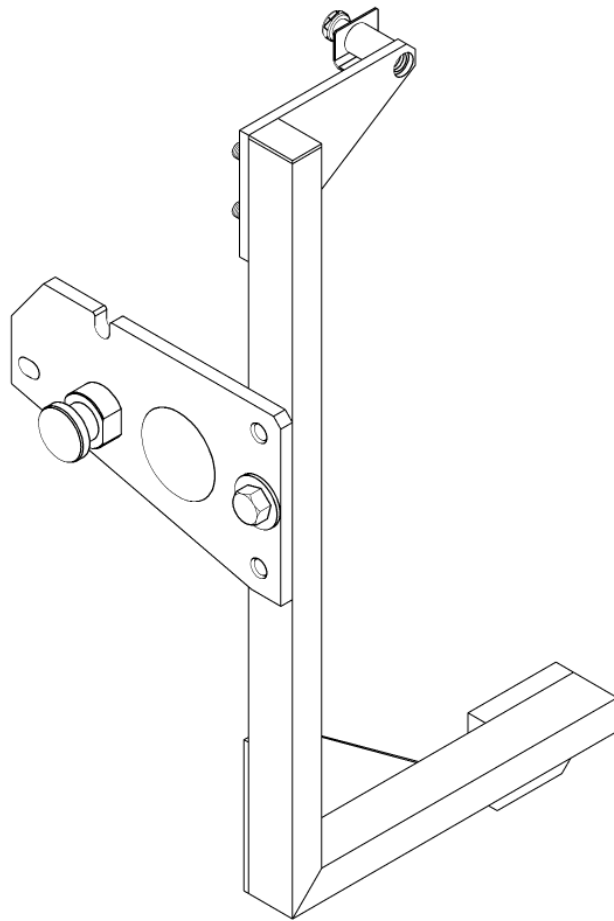
| | TOOL | | | P/N | DESCRIPTION | QTY |
|---|---------|------|------|------------|------------------------|-----|
| | OT No. | Ind. | Ind. | | | |
| | 60 0130 | | | 8819324000 | PIVOTING ADAPTATION | 1 |
| - | 60 0130 | A | | 8819324001 | . L.H. PLATE | 1 |
| - | 60 0130 | B | | 8819324002 | . R.H. PLATE | 1 |
| - | 60 0130 | C | | 8819324003 | . L.H. FLANGE | 1 |
| - | 60 0130 | D | | 8819324004 | . R.H. FLANGE | 1 |
| - | 60 0130 | E | | 8819324005 | . L.H. REMOVABLE PIVOT | 1 |
| - | 60 0130 | F | | 8819324006 | . R.H. REMOVABLE PIVOT | 1 |

- ITEM NOT ILLUSTRATED

NP NON PROCURABLE

8819317000

Description: PIVOTING ADAPTATION



TURBOMECA ARRIUS 2 F

MAINTENANCE TOOLS CATALOG

| <i>Description</i> | <i>Part Number</i> |
|----------------------------|--------------------|
| PIVOTING ADAPTATION | 8819317000 |

| |
|------------------------------------|
| <i>This tool replaces the tool</i> |
|------------------------------------|

| <i>Supply code</i> | <i>Calibration frequency</i> | <i>Functional criteria check</i> |
|--------------------|------------------------------|----------------------------------|
| 3 - 2 | N/A | N/A |

| <i>Use</i> | Tool use to lift the reduction gear. |
|------------|--------------------------------------|
|------------|--------------------------------------|

| <i>Use particularity</i> | |
|--------------------------|--|
|--------------------------|--|

| <i>Alternate</i> | <i>Part Number</i> | <i>Description</i> |
|------------------|--------------------|--------------------|
| | | |

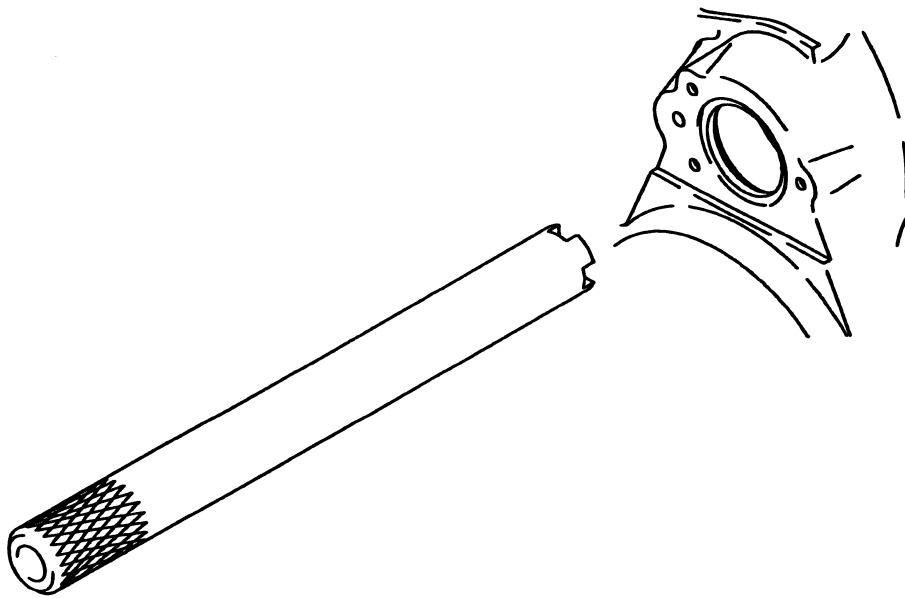
| TOOL | | | | P/N | DESCRIPTION | QTY |
|-----------|------|------|------------|---------------------|-------------|-----|
| OT No. | Ind. | Ind. | | 1 2 3 | | |
| 60 0140 | | | 8819317000 | PIVOTING ADAPTATION | | 1 |
| - 60 0140 | A | | 8819317001 | . LEFT STRUT | | 1 |
| - 60 0140 | B | | 8819317002 | . RIGHT STRUT | | 1 |
| - 60 0140 | C | | 8819317003 | . PIVOT | | 2 |
| - 60 0140 | D | | 8819317004 | . NUT | | 4 |
| - 60 0140 | E | | 8819317006 | . PLATE | | 2 |
| - 60 0140 | F | | 8819324007 | . SCREW | | 2 |

- ITEM NOT ILLUSTRATED

NP NON PROCURABLE

8819334000

Description: WRENCH



TURBOMECA ARRIUS 2 F

MAINTENANCE TOOLS CATALOG

| <i>Description</i> | <i>Part Number</i> |
|--------------------|--------------------|
| WRENCH | 8819334000 |

| |
|------------------------------------|
| <i>This tool replaces the tool</i> |
|------------------------------------|

| <i>Supply code</i> | <i>Calibration frequency</i> | <i>Functional criteria check</i> |
|--------------------|------------------------------|----------------------------------|
| 3 - 2 | N/A | N/A |

| | |
|--------------------------|--|
| Use | Tool used for the modular installation/removal of the securing nut of the free turbine shaft during the modular replacement. |
| Use particularity | IT IS USED WITH TOOL 8819808000. |

| Alternate | <i>Part Number</i> | <i>Description</i> |
|------------------|--------------------|--------------------|
| | | |

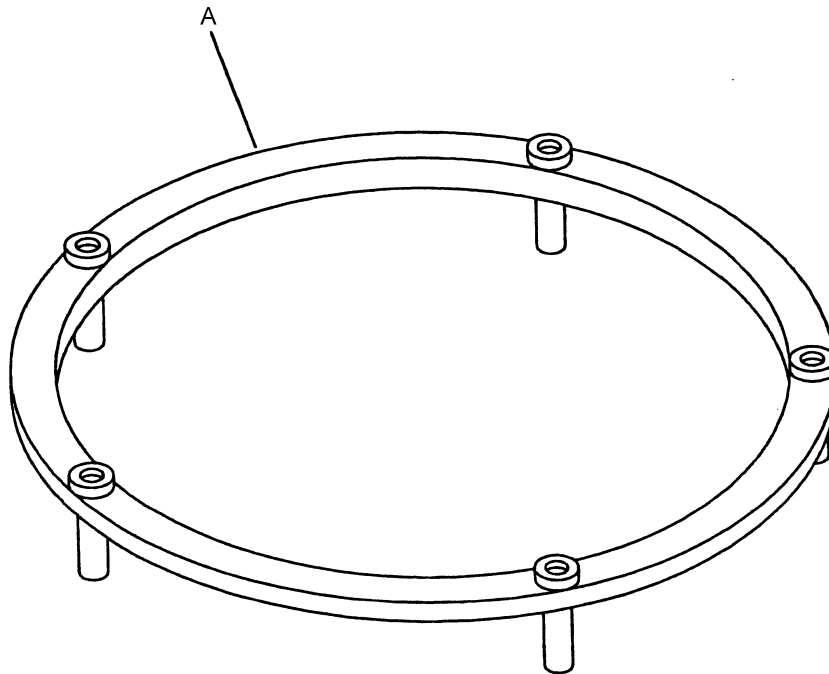
| TOOL | | | | P/N | DESCRIPTION | QTY |
|---------|------|------|------------|--------|-------------|-----|
| OT No. | Ind. | Ind. | | 1 2 3 | | |
| 60 0150 | | | 8819334000 | WRENCH | | 1 |

- ITEM NOT ILLUSTRATED

NP NON PROCURABLE

8818628200

Description: REAR CASING SUPPORT



TURBOMECA ARRIUS 2 F

MAINTENANCE TOOLS CATALOG

| <i>Description</i> | <i>Part Number</i> |
|----------------------------|--------------------|
| REAR CASING SUPPORT | 8818628200 |

| |
|------------------------------------|
| <i>This tool replaces the tool</i> |
|------------------------------------|

| <i>Supply code</i> | <i>Calibration frequency</i> | <i>Functional criteria check</i> |
|--------------------|------------------------------|----------------------------------|
| 3 - 2 | N/A | N/A |

| | |
|------------|---|
| Use | Support use to install the reduction gear in order to equip the front casing. |
|------------|---|

| | |
|--------------------------|--|
| Use particularity | |
|--------------------------|--|

| <i>Alternate</i> | <i>Part Number</i> | <i>Description</i> |
|------------------|--------------------|--------------------|
| | | |

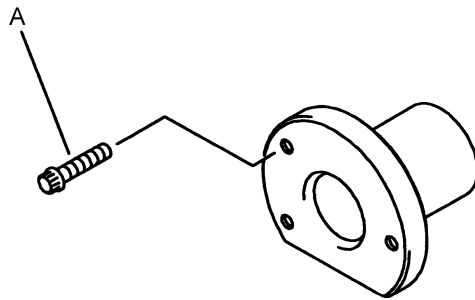
| TOOL | | | | P/N | DESCRIPTION | QTY |
|---------|------|------|-------|------------|---------------------|-----|
| OT No. | Ind. | Ind. | 1 2 3 | | | |
| 60 0160 | | | | 8818628200 | REAR CASING SUPPORT | 1 |
| 60 0160 | A | | | 8818628202 | . SUPPORT | 1 |

- ITEM NOT ILLUSTRATED

NP NON PROCURABLE

8819384000

Description: RETAINER



TURBOMECA ARRIUS 2 F

MAINTENANCE TOOLS CATALOG

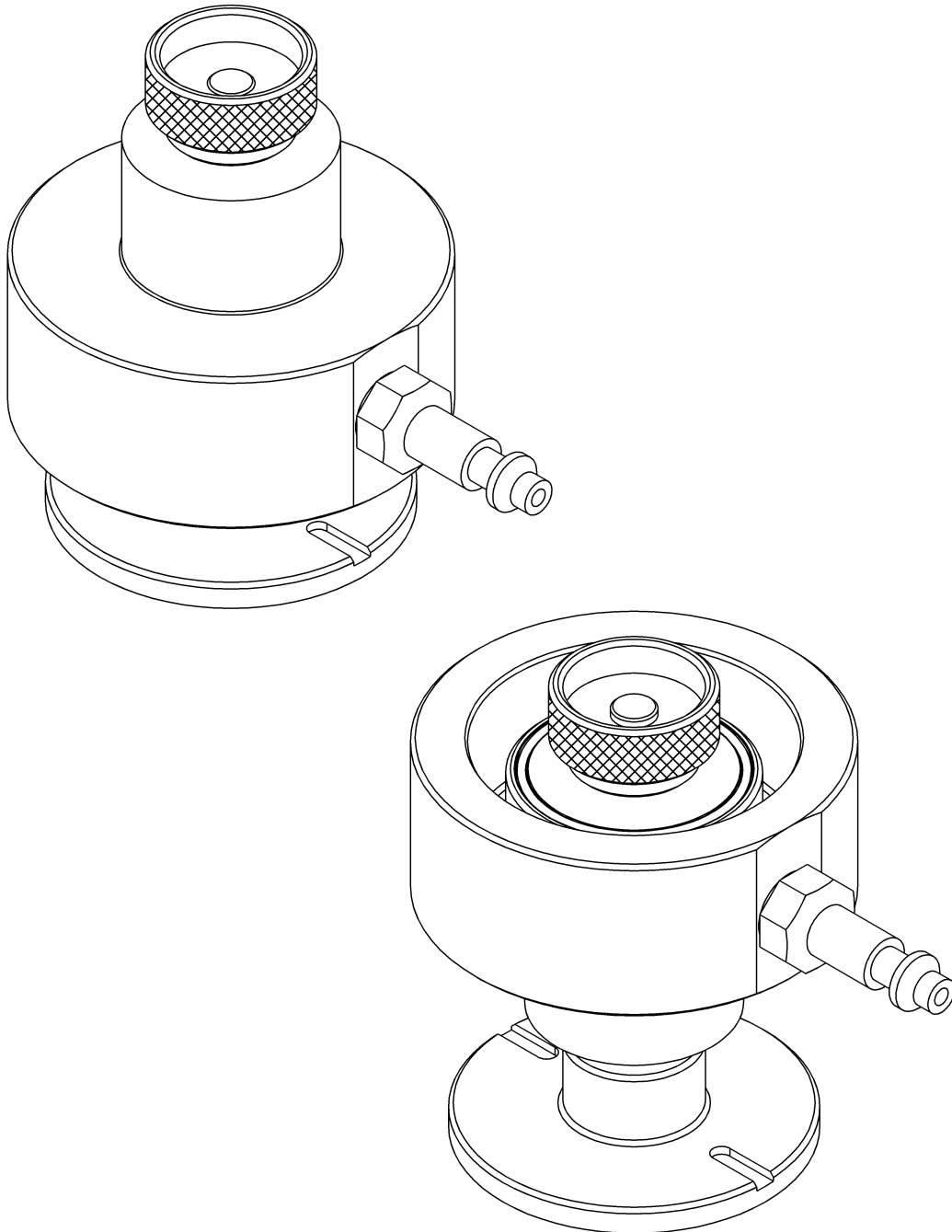
| <i>Description</i> | | <i>Part Number</i> | | | | |
|------------------------------------|---|----------------------------------|--------------------|------------|--------------------|------------|
| RETAINER | | 8819384000 | | | | |
| <i>This tool replaces the tool</i> | | | | | | |
| <i>Supply code</i> | <i>Calibration frequency</i> | <i>Functional criteria check</i> | | | | |
| 3 - 2 | N/A | N/A | | | | |
| <i>Use</i> | Tool use to immobilize the power turbine shaft in order to remove the front nut (module replacement), to remove FT nuts (FT replacement) | | | | | |
| <i>Use particularity</i> | IT IS USED WITH TOOL 8819334000. | | | | | |
| <i>Alternate</i> | <i>Part Number</i> | | <i>Description</i> | | | |
| | | | | | | |
| TOOL | | | | P/N | DESCRIPTION | QTY |
| OT No. | Ind. | Ind. | 1 2 3 | | | |
| 60 0170 | | | | 8819384000 | RETAINER | 1 |
| 60 0170 | A | | | 9836005016 | . SCREW | 3 |

- ITEM NOT ILLUSTRATED

NP NON PROCURABLE

TM0630G001

Description: REMOVAL / INSTALLATION TOOL



TURBOMECA ARRIUS 2 F

MAINTENANCE TOOLS CATALOG

| <i>Description</i> | <i>Part Number</i> |
|-----------------------------|--------------------|
| REMOVAL / INSTALLATION TOOL | TM0630G001 |

| |
|------------------------------------|
| <i>This tool replaces the tool</i> |
|------------------------------------|

| <i>Supply code</i> | <i>Calibration frequency</i> | <i>Functional criteria check</i> |
|--------------------|------------------------------|----------------------------------|
| 3 - 2 | N/A | N/A |

| <i>Use</i> | Tool use for the removal/installation of the power drive magnetic seal. |
|------------|---|
|------------|---|

| <i>Use particularity</i> | |
|--------------------------|--|
|--------------------------|--|

| <i>Alternate</i> | <i>Part Number</i> | <i>Description</i> |
|------------------|--------------------|--------------------|
| | | |

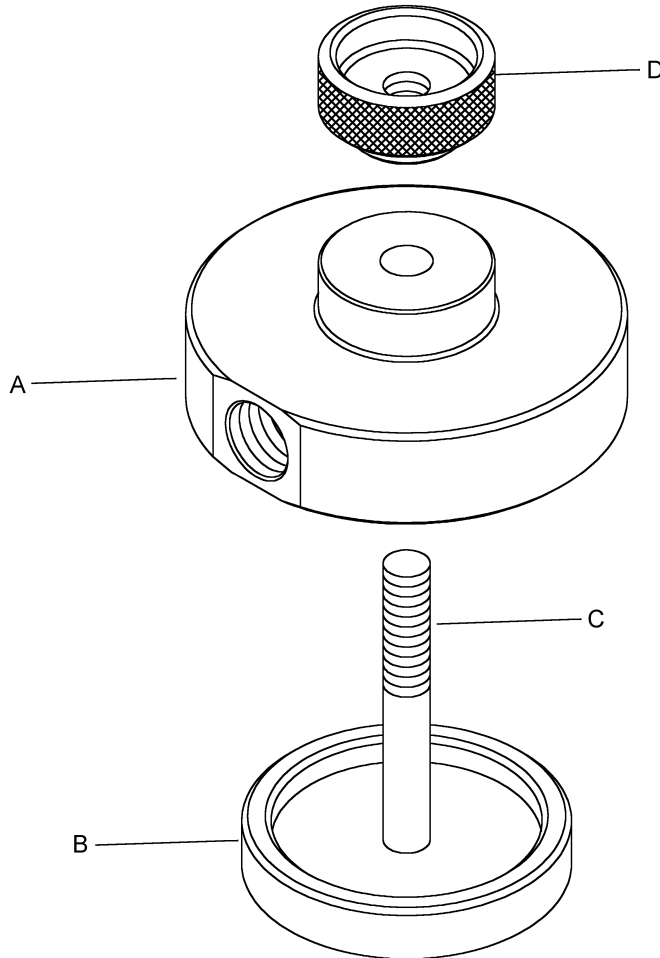
| TOOL | | | | P/N | DESCRIPTION | QTY |
|-----------|------|------|------------|-----------------------------|-------------|-----|
| OT No. | Ind. | Ind. | | 1 2 3 | | |
| 60 0180 | | | TM0630G001 | REMOVAL / INSTALLATION TOOL | | 1 |
| - 60 0180 | A | | TM0630P001 | . FLANGE | | 1 |
| - 60 0180 | B | | TM0630P002 | . BASE | | 1 |
| - 60 0180 | C | | TM0630P010 | . STUD | | 1 |
| - 60 0180 | D | | TM0630P005 | . NUT | | 1 |

- ITEM NOT ILLUSTRATED

NP NON PROCURABLE

TM0631G001

Description: REMOVAL / INSTALLATION TOOL



TURBOMECA ARRIUS 2 F

MAINTENANCE TOOLS CATALOG

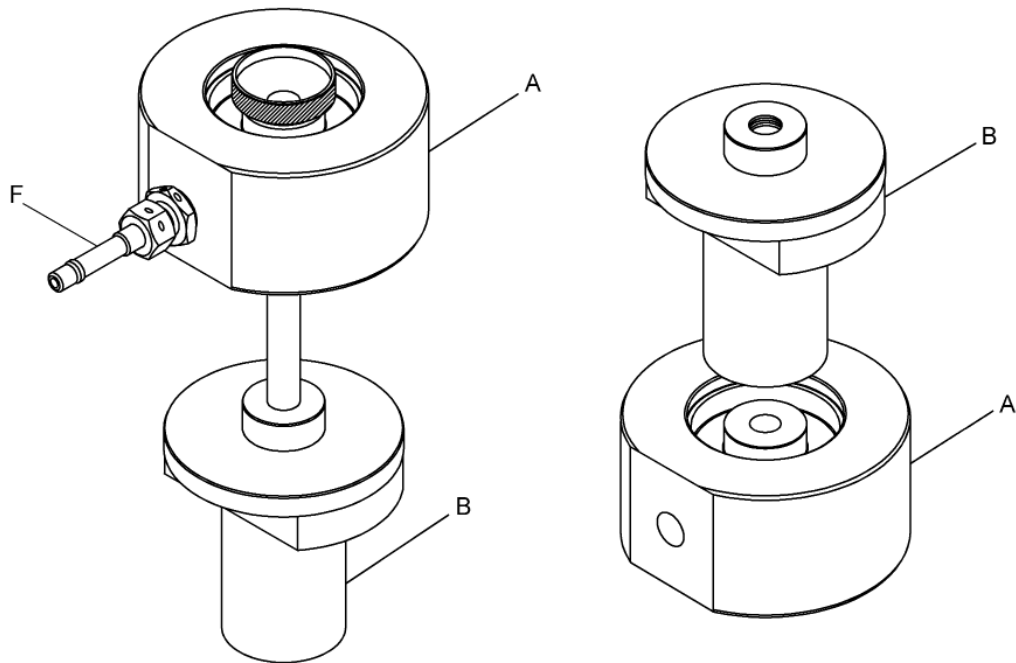
| <i>Description</i> | | <i>Part Number</i> | | | | |
|------------------------------------|--|----------------------------------|--------------------|------------|-----------------------------|------------|
| REMOVAL / INSTALLATION TOOL | | TM0631G001 | | | | |
| <i>This tool replaces the tool</i> | | | | | | |
| <i>Supply code</i> | <i>Calibration frequency</i> | <i>Functional criteria check</i> | | | | |
| 3 - 2 | N/A | N/A | | | | |
| <i>Use</i> | Tool used for the modular installation/removal of the starter plug magnetic seal | | | | | |
| <i>Use particularity</i> | | | | | | |
| <i>Alternate</i> | <i>Part Number</i> | | <i>Description</i> | | | |
| | | | | | | |
| TOOL | | | | P/N | DESCRIPTION | QTY |
| OT No. | Ind. | Ind. | 1 2 3 | | | |
| 60 0190 | | | | TM0631G001 | REMOVAL / INSTALLATION TOOL | 1 |
| 60 0190 | A | | | TM0631P001 | . FLANGE | 1 |
| 60 0190 | B | | | TM0631P002 | . BASE | 1 |
| 60 0190 | C | | | TM0631P010 | . STUD | 1 |
| 60 0190 | D | | | TM0631P005 | . NUT | 1 |

- ITEM NOT ILLUSTRATED

NP NON PROCURABLE

TM0797G002

Description: MAGNETIC SEAL REMOVAL/INSTALLATION TOOL



TURBOMECA ARRIUS 2 F

MAINTENANCE TOOLS CATALOG

| | | |
|---|---|---|
| <i>Description</i> | | <i>Part Number</i> |
| MAGNETIC SEAL REMOVAL/INSTALLATION TOOL | | TM0797G002 |
| <i>This tool replaces the tool</i> | | |
| <i>Supply code</i> | <i>Calibration frequency</i> | <i>Functional criteria check</i> |
| 3 - 2 | N/A | N/A |
| <i>Use</i> | Removal/installation of the magnetic seal | |
| <i>Use particularity</i> | | |
| <i>Alternate</i> | <i>Part Number</i> | <i>Description</i> |
| | TM0797G001 | MAGNETIC SEAL REMOVAL/INSTALLATION TOOL |

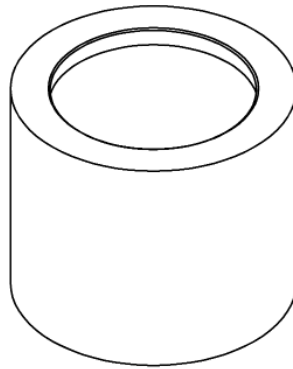
| | TOOL | | | P/N | DESCRIPTION | QTY |
|---|---------|------|------|------------|---|-----|
| | OT No. | Ind. | Ind. | | | |
| | 60 0200 | | | TM0797G002 | MAGNETIC SEAL REMOVAL/INSTALLATION TOOL | 1 |
| | 60 0200 | A | | TM0797P001 | . FLANGE | NP |
| | 60 0200 | B | | TM0797P002 | . STAND | NP |
| - | 60 0200 | C | | TM0797P005 | . STUD | 1 |
| - | 60 0200 | D | | TM0797P008 | . Ø INT: 25.12 O-RING SEAL | 1 |
| - | 60 0200 | E | | TM0797P009 | . Ø INT: 36.30 O-RING SEAL | 1 |
| | 60 0200 | F | | 9610059020 | . BUTT OF CONNECTION | 1 |
| - | 60 0200 | G | | 9560142800 | . COPPER SEAL | 1 |

- ITEM NOT ILLUSTRATED

NP NON PROCURABLE

TM0801G002

Description: RETAINING AND GUIDING RING



TURBOMECA ARRIUS 2 F

MAINTENANCE TOOLS CATALOG

| <i>Description</i> | <i>Part Number</i> |
|-----------------------------------|--------------------|
| RETAINING AND GUIDING RING | TM0801G002 |

| |
|------------------------------------|
| <i>This tool replaces the tool</i> |
|------------------------------------|

| <i>Supply code</i> | <i>Calibration frequency</i> | <i>Functional criteria check</i> |
|--------------------|------------------------------|----------------------------------|
| 3 - 2 | N/A | N/A |

| | |
|------------|--|
| Use | Used to guide the cage of power drive during its installation. |
|------------|--|

| | |
|--------------------------|--|
| Use particularity | |
|--------------------------|--|

| <i>Alternate</i> | <i>Part Number</i> | <i>Description</i> |
|------------------|--------------------|----------------------------|
| | TM0801G001 | RETAINING AND GUIDING RING |

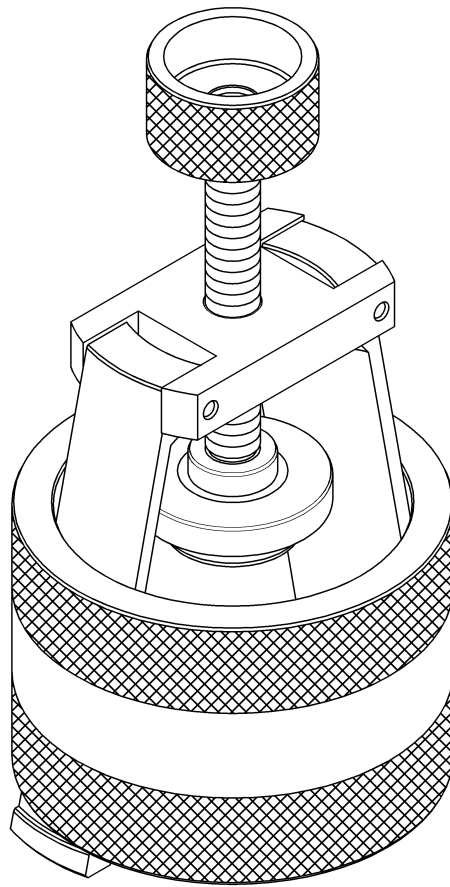
| TOOL | | | | P/N | DESCRIPTION | QTY |
|---------|------|------|-------|------------|----------------------------|-----|
| OT No. | Ind. | Ind. | 1 2 3 | | | |
| 60 0210 | | | | TM0801G002 | RETAINING AND GUIDING RING | 1 |

- ITEM NOT ILLUSTRATED

NP NON PROCURABLE

TM1507G001

Description: EXTRACTOR



SAFRAN HELICOPTER ENGINES

ARRIUS 2 F

MAINTENANCE TOOLS CATALOG

| <i>Description</i> | <i>Part Number</i> |
|--------------------|--------------------|
| EXTRACTOR | TM1507G001 |

| |
|------------------------------------|
| <i>This tool replaces the tool</i> |
|------------------------------------|

| <i>Supply code</i> | <i>Calibration frequency</i> | <i>Functional criteria check</i> |
|--------------------|------------------------------|----------------------------------|
| 3 - 2 | N/A | N/A |

| | |
|------------|---|
| Use | Tool used to remove the rotating part of the magnetic seal and the spacer that stays on the output gear |
|------------|---|

| | |
|--------------------------|--|
| Use particularity | |
|--------------------------|--|

| Alternate | <i>Part Number</i> | <i>Description</i> |
|------------------|--------------------|--------------------|
| | | |

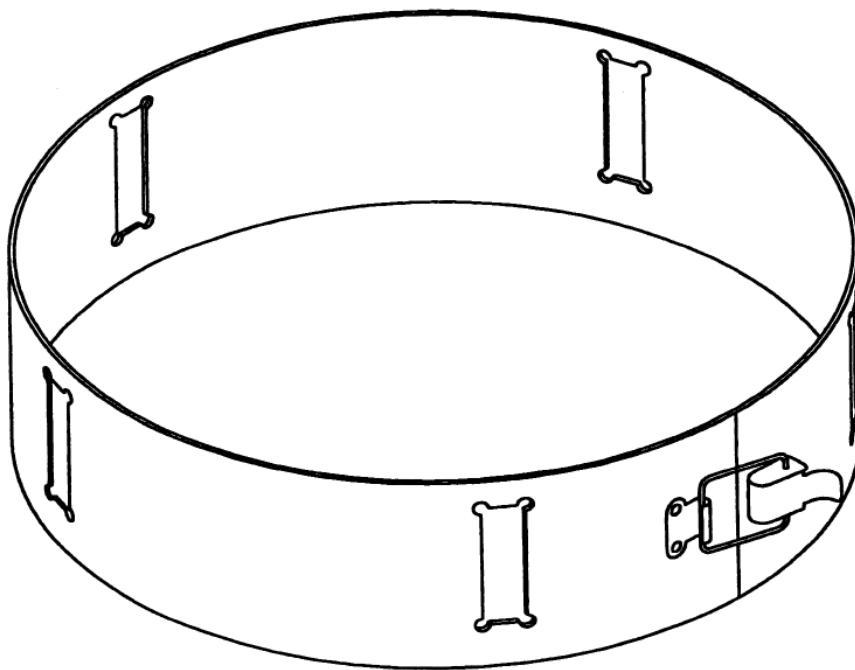
| TOOL | | | | P/N | DESCRIPTION | QTY |
|---------|------|------|------------|-----------|-------------|-----|
| OT No. | Ind. | Ind. | | 1 2 3 | | |
| 60 0220 | | | TM1507G001 | EXTRACTOR | | 1 |

- ITEM NOT ILLUSTRATED

NP NON PROCURABLE

8818657000

Description: AIR INTAKE PLUG



SAFRAN HELICOPTER ENGINES

ARRIUS 2 F

MAINTENANCE TOOLS CATALOG

| <i>Description</i> | <i>Part Number</i> |
|------------------------|--------------------|
| AIR INTAKE PLUG | 8818657000 |

| |
|------------------------------------|
| <i>This tool replaces the tool</i> |
|------------------------------------|

| <i>Supply code</i> | <i>Calibration frequency</i> | <i>Functional criteria check</i> |
|--------------------|------------------------------|----------------------------------|
| 3 - 2 | N/A | N/A |

| | |
|------------|---|
| Use | Tool used to plug the intake casing in order to protect the compressor from foreign bodies. |
|------------|---|

| | |
|--------------------------|--|
| Use particularity | |
|--------------------------|--|

| <i>Alternate</i> | <i>Part Number</i> | <i>Description</i> |
|------------------|--------------------|--------------------|
| | TM1646G001 | AIR INTAKE PLUG |

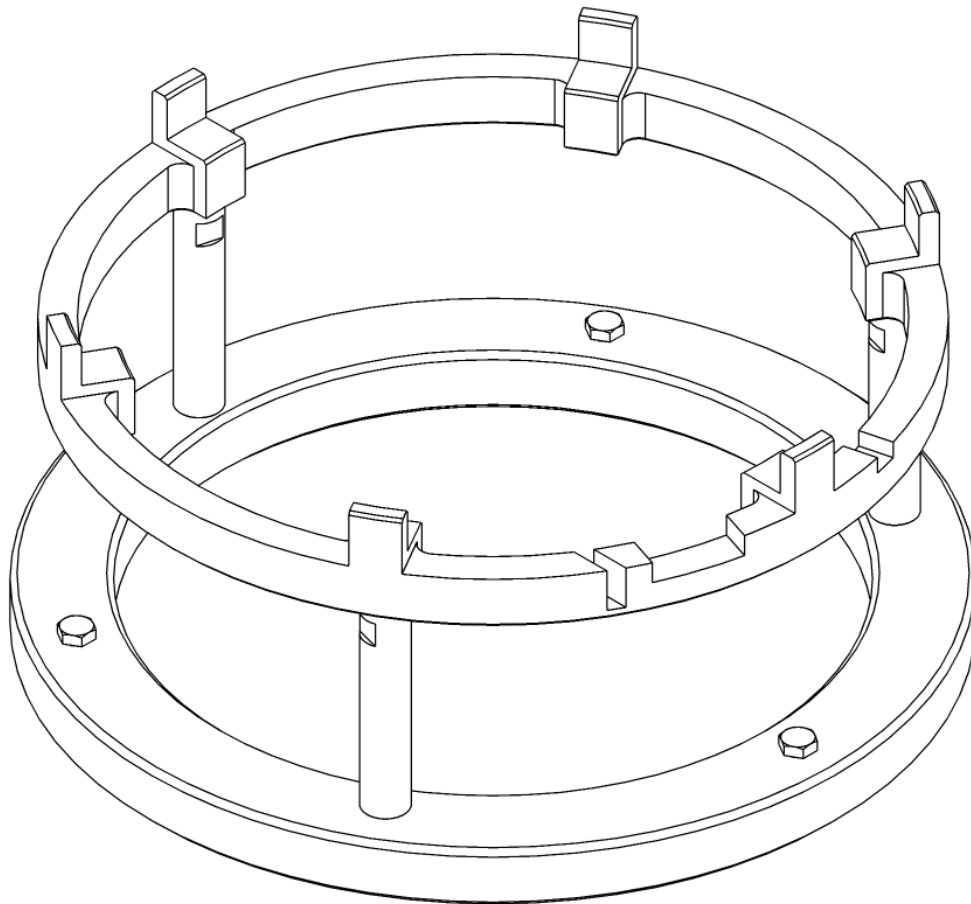
| | TOOL | | | P/N | DESCRIPTION | QTY |
|---|---------|------|------|------------|--------------------------|-----|
| | OT No. | Ind. | Ind. | | | |
| I | 60 0230 | | | 8818657000 | 1 2 3 AIR INTAKE PLUG | 1 |

- ITEM NOT ILLUSTRATED

NP NON PROCURABLE

8818381000

Description: ASSEMBLY SUPPORT



TURBOMECA ARRIUS 2 F

MAINTENANCE TOOLS CATALOG

| <i>Description</i> | <i>Part Number</i> |
|-------------------------|--------------------|
| ASSEMBLY SUPPORT | 8818381000 |

| |
|------------------------------------|
| <i>This tool replaces the tool</i> |
|------------------------------------|

| <i>Supply code</i> | <i>Calibration frequency</i> | <i>Functional criteria check</i> |
|--------------------|------------------------------|----------------------------------|
| 3 - 2 | N/A | N/A |

| <i>Use</i> | Tool required for supporting gas-generator module and exhaust diffuser side. |
|------------|--|
|------------|--|

| <i>Use particularity</i> | |
|--------------------------|--|
|--------------------------|--|

| <i>Alternate</i> | <i>Part Number</i> | <i>Description</i> |
|------------------|--------------------|--------------------|
| | | |

| TOOL | | | | P/N | DESCRIPTION | QTY |
|-----------|------|------|------------|------------------|-------------|-----|
| OT No. | Ind. | Ind. | | 1 2 3 | | |
| - 60 0240 | | | 8818381000 | ASSEMBLY SUPPORT | | 1 |
| - 60 0240 | A | | 8818381001 | . CENTERING TOOL | | 1 |
| - 60 0240 | B | | 8818381002 | . BASE PLATE | | 1 |
| - 60 0240 | C | | 8818381003 | . TIE ROD | | 1 |

- ITEM NOT ILLUSTRATED

NP NON PROCURABLE

TURBOMECA ARRIUS 2 F

MAINTENANCE TOOLS CATALOG

9610019070

Description: STRIPBOARD CUTTER

NON ILLUSTRATED TOOL

TURBOMECA ARRIUS 2 F

| <i>Description</i> | <i>Part Number</i> |
|--------------------------|--------------------|
| STRIPBOARD CUTTER | 9610019070 |

| |
|------------------------------------|
| <i>This tool replaces the tool</i> |
|------------------------------------|

| <i>Supply code</i> | <i>Calibration frequency</i> | <i>Functional criteria check</i> |
|--------------------|------------------------------|----------------------------------|
| 3 - 2 | N/A | N/A |

| <i>Use</i> | Tool use to conformate conformation boxes. |
|------------|--|
|------------|--|

| <i>Use particularity</i> | |
|--------------------------|--|
|--------------------------|--|

| <i>Alternate</i> | <i>Part Number</i> | <i>Description</i> |
|------------------|--------------------|--------------------|
| | | |

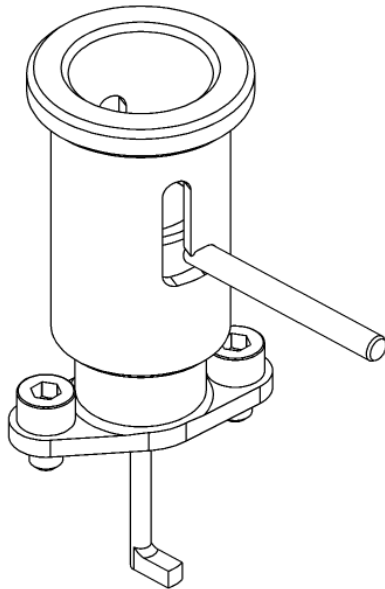
| | TOOL | | | P/N | DESCRIPTION | QTY |
|---|---------|------|------|------------|-------------------|-----|
| | OT No. | Ind. | Ind. | | | |
| - | 60 0250 | | | 9610019070 | STRIPBOARD CUTTER | 1 |

- ITEM NOT ILLUSTRATED

NP NON PROCURABLE

TM4186G001

Description: POSITIONING GAUGE



SAFRAN HELICOPTER ENGINES

ARRIUS 2 F

MAINTENANCE TOOLS CATALOG

| <i>Description</i> | <i>Part Number</i> |
|--------------------------|--------------------|
| POSITIONING GAUGE | TM4186G001 |

| |
|------------------------------------|
| <i>This tool replaces the tool</i> |
|------------------------------------|

| <i>Supply code</i> | <i>Calibration frequency</i> | <i>Functional criteria check</i> |
|--------------------|------------------------------|----------------------------------|
| 3 - 1 | 60 | N/A |

| | |
|------------|--|
| Use | Tool used to measure the adjustment dimension of the ignition plug |
|------------|--|

| | |
|--------------------------|--|
| Use particularity | |
|--------------------------|--|

| <i>Alternate</i> | <i>Part Number</i> | <i>Description</i> |
|------------------|--------------------|--------------------|
| | | |

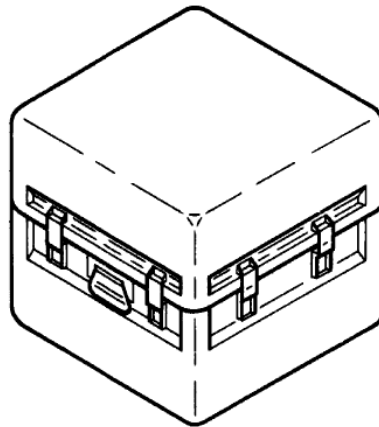
| TOOL | | | | P/N | DESCRIPTION | QTY |
|-----------|------|------|------------|-------------------|-------------|-----|
| OT No. | Ind. | Ind. | | 1 2 3 | | |
| - 60 0260 | | | TM4186G001 | POSITIONING GAUGE | | 1 |
| - 60 0260 | A | | TM4186P001 | . GAUGE | | 1 |
| - 60 0260 | B | | 1616050088 | . SCREW | | 1 |

- ITEM NOT ILLUSTRATED

NP NON PROCURABLE

8816854000

Description: PLUG



SAFRAN HELICOPTER ENGINES

ARRIUS 2 F

MAINTENANCE TOOLS CATALOG

| <i>Description</i> | <i>Part Number</i> |
|--------------------|--------------------|
| PLUG | 8816854000 |

| |
|------------------------------------|
| <i>This tool replaces the tool</i> |
|------------------------------------|

| <i>Supply code</i> | <i>Calibration frequency</i> | <i>Functional criteria check</i> |
|--------------------|------------------------------|----------------------------------|
| 3 - 2 | N/A | N/A |

| <i>Use</i> | Container (C2R type) use to transport and store the FUEL CONTROL UNIT. |
|------------|--|
|------------|--|

| <i>Use particularity</i> | |
|--------------------------|--|
|--------------------------|--|

| <i>Alternate</i> | <i>Part Number</i> | <i>Description</i> |
|------------------|--------------------|--------------------|
| | | |

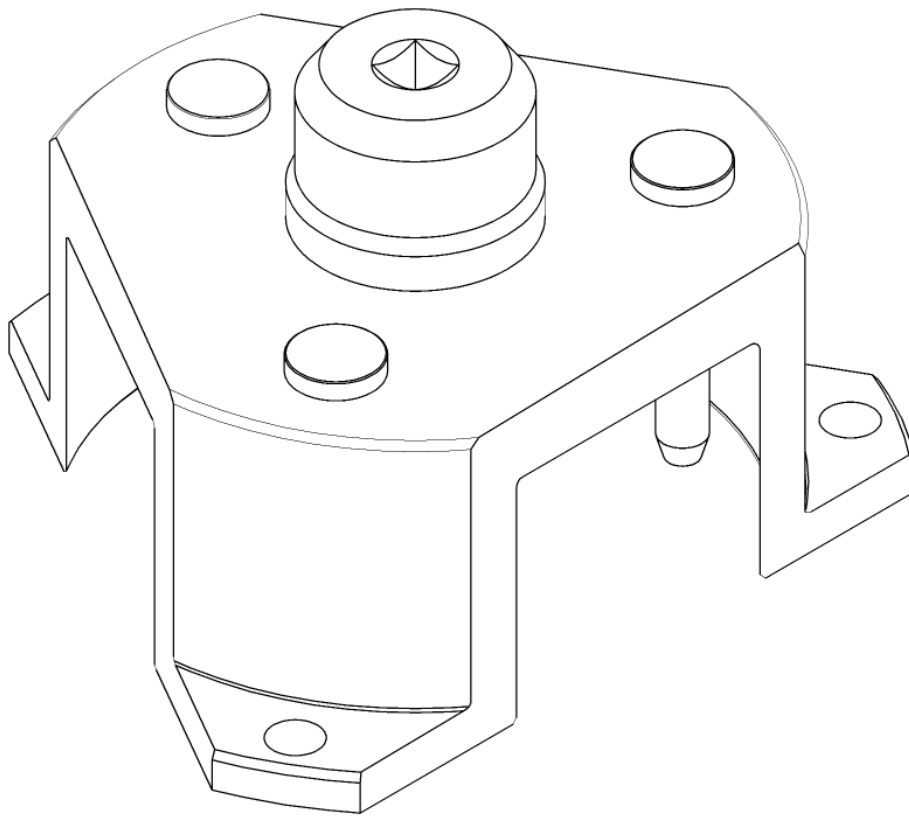
| | TOOL | | | P/N | DESCRIPTION | QTY |
|---|---------|------|------|------------|---------------|-----|
| | OT No. | Ind. | Ind. | | | |
| 1 | 60 0290 | | | 8816854000 | 1 2 3 PLUG | 1 |

- ITEM NOT ILLUSTRATED

NP NON PROCURABLE

8819375000

Description: WRENCH AND RETAINER



TURBOMECA ARRIUS 2 F

MAINTENANCE TOOLS CATALOG

| <i>Description</i> | <i>Part Number</i> |
|----------------------------|--------------------|
| WRENCH AND RETAINER | 8819375000 |

| |
|------------------------------------|
| <i>This tool replaces the tool</i> |
|------------------------------------|

| <i>Supply code</i> | <i>Calibration frequency</i> | <i>Functional criteria check</i> |
|--------------------|------------------------------|----------------------------------|
| 3 - 2 | N/A | N/A |

| <i>Use</i> | Attached to the splined flange of the power drive, this tool is use to unlock/lock the securing nut of the flange. |
|------------|--|
|------------|--|

| <i>Use particularity</i> | |
|--------------------------|--|
|--------------------------|--|

| <i>Alternate</i> | <i>Part Number</i> | <i>Description</i> |
|------------------|--------------------|--------------------|
| | | |

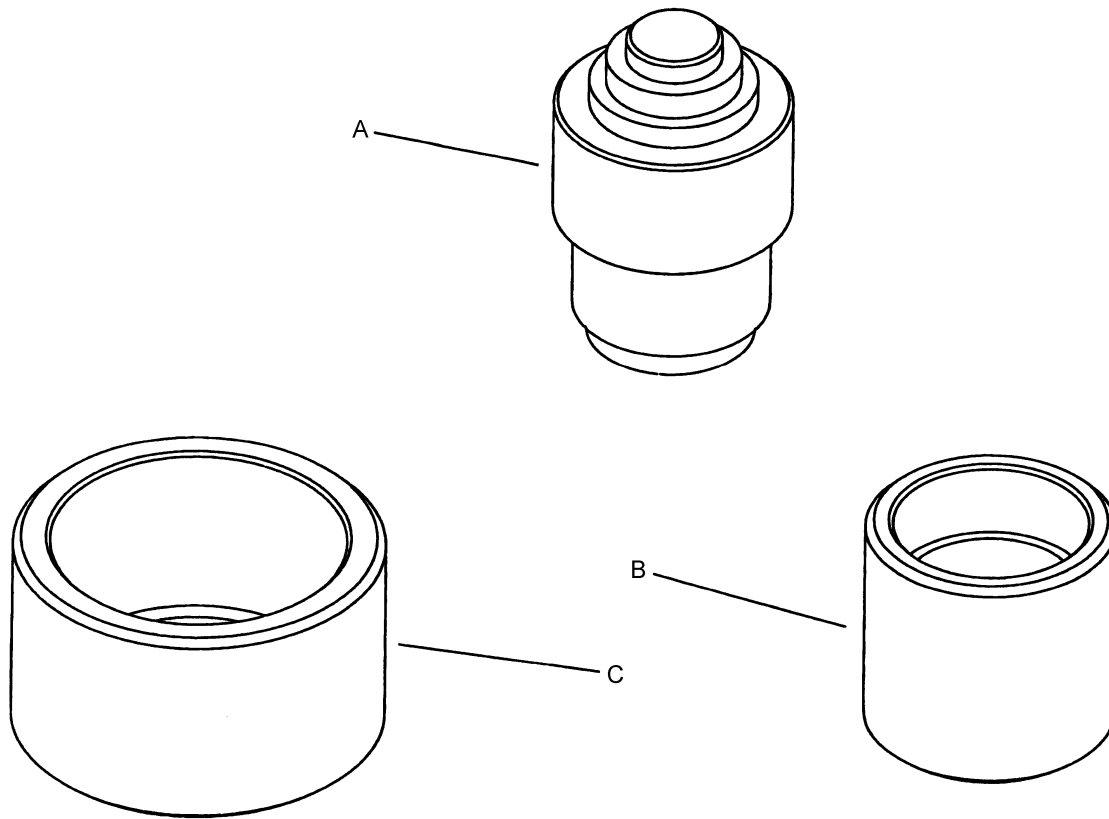
| TOOL | | | | P/N | DESCRIPTION | QTY |
|--------|---------|------|--|------------|---------------------|-----|
| OT No. | Ind. | Ind. | | 1 2 3 | | |
| | | | | 8819375000 | WRENCH AND RETAINER | 1 |
| - | 60 0300 | A | | 8819375002 | . WRENCH | 1 |
| - | 60 0300 | B | | 8819375003 | . DOWEL | 3 |
| - | 60 0300 | C | | 8819375001 | . RETAINER | 1 |

- ITEM NOT ILLUSTRATED

NP NON PROCURABLE

8819349000

Description: REMOVAL / INSTALLATION TOOL, VARILIP SEALS



TURBOMECA ARRIUS 2 F

MAINTENANCE TOOLS CATALOG

| <i>Description</i> | <i>Part Number</i> |
|---|--------------------|
| REMOVAL / INSTALLATION TOOL, VARILIP SEALS | 8819349000 |

| |
|------------------------------------|
| <i>This tool replaces the tool</i> |
|------------------------------------|

| <i>Supply code</i> | <i>Calibration frequency</i> | <i>Functional criteria check</i> |
|--------------------|------------------------------|----------------------------------|
| 3 - 2 | N/A | N/A |

| | |
|------------|--|
| Use | Tool used for the removal and installation of VARILIP seals. |
|------------|--|

| | |
|--------------------------|--|
| Use particularity | |
|--------------------------|--|

| <i>Alternate</i> | <i>Part Number</i> | <i>Description</i> |
|------------------|--------------------|--------------------|
| | | |

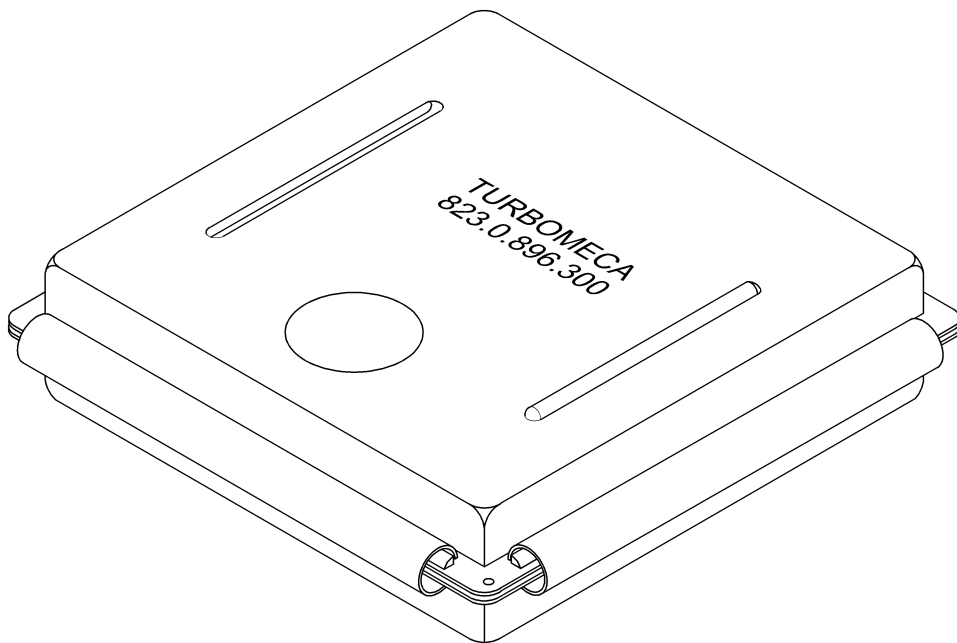
| TOOL | | | | P/N | DESCRIPTION | QTY |
|---------|------|------|-------|------------|--|-----|
| OT No. | Ind. | Ind. | 1 2 3 | | | |
| 60 0310 | | | | 8819349000 | REMOVAL / INSTALLATION TOOL, VARILIP SEALS | 1 |
| 60 0310 | A | | | 8819349001 | . PLUNGER | 1 |
| 60 0310 | B | | | 8819349002 | . SUPPORT | 1 |
| 60 0310 | C | | | 8819349003 | . SUPPORT | 1 |

- ITEM NOT ILLUSTRATED

NP NON PROCURABLE

8230896300

Description: HANDLING BOX



TURBOMECA ARRIUS 2 F

MAINTENANCE TOOLS CATALOG

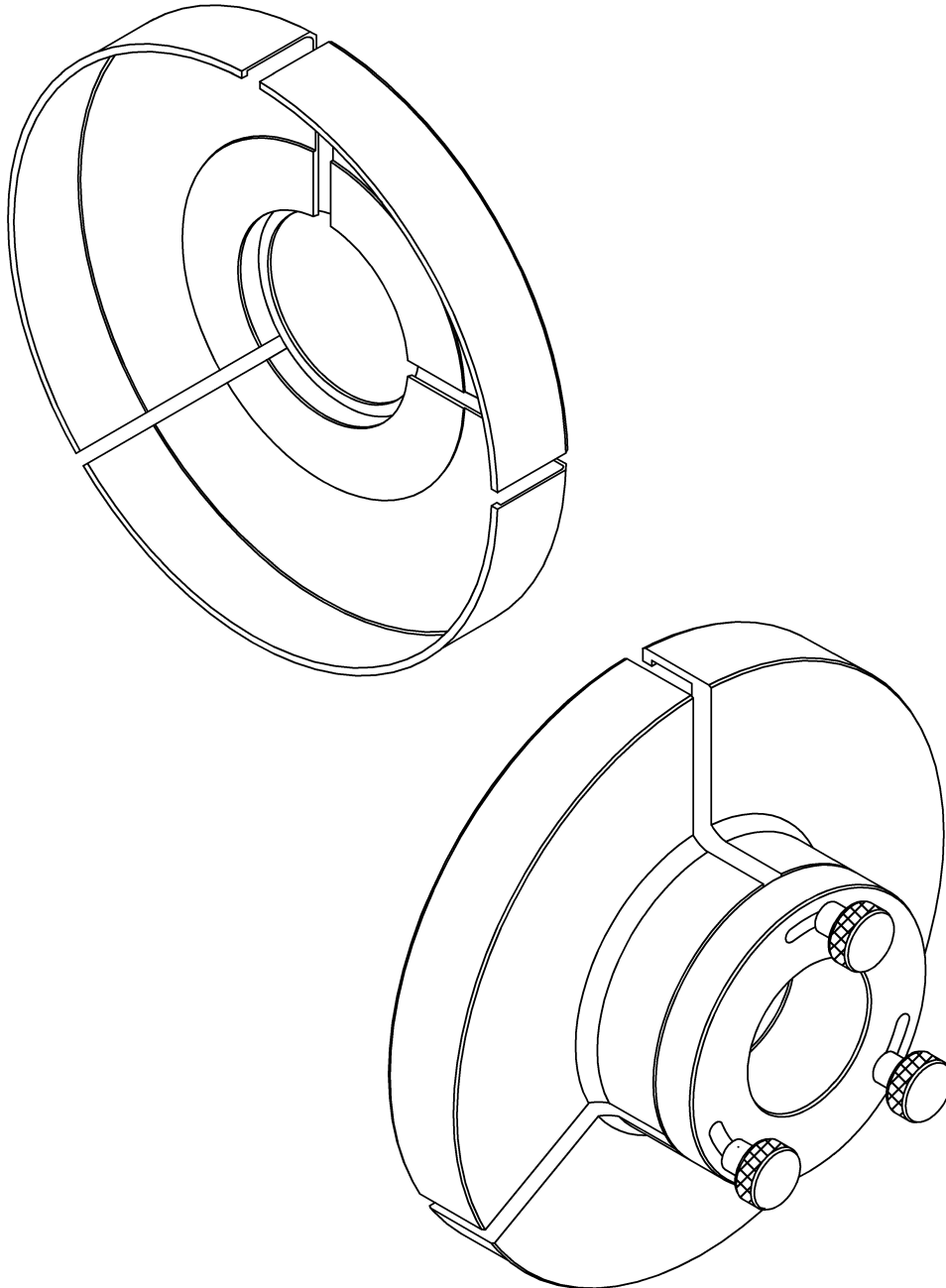
| <i>Description</i> | | <i>Part Number</i> | | | | |
|------------------------------------|------------------------------|----------------------------------|--|------------|--------------|-----|
| HANDLING BOX | | 8230896300 | | | | |
| <i>This tool replaces the tool</i> | | | | | | |
| <i>Supply code</i> | <i>Calibration frequency</i> | <i>Functional criteria check</i> | | | | |
| - | N/A | N/A | | | | |
| <i>Use</i> | | | | | | |
| <i>Use particularity</i> | | | | | | |
| <i>Alternate</i> | <i>Part Number</i> | <i>Description</i> | | | | |
| | | | | | | |
| TOOL | | | | P/N | DESCRIPTION | QTY |
| OT No. | Ind. | Ind. | | 1 2 3 | | |
| 60 0320 | | | | 8230896300 | HANDLING BOX | 1 |

- ITEM NOT ILLUSTRATED

NP NON PROCURABLE

8818379000

Description: PT WHEEL REMOVAL/INSTALLATION TOOL



TURBOMECA ARRIUS 2 F

MAINTENANCE TOOLS CATALOG

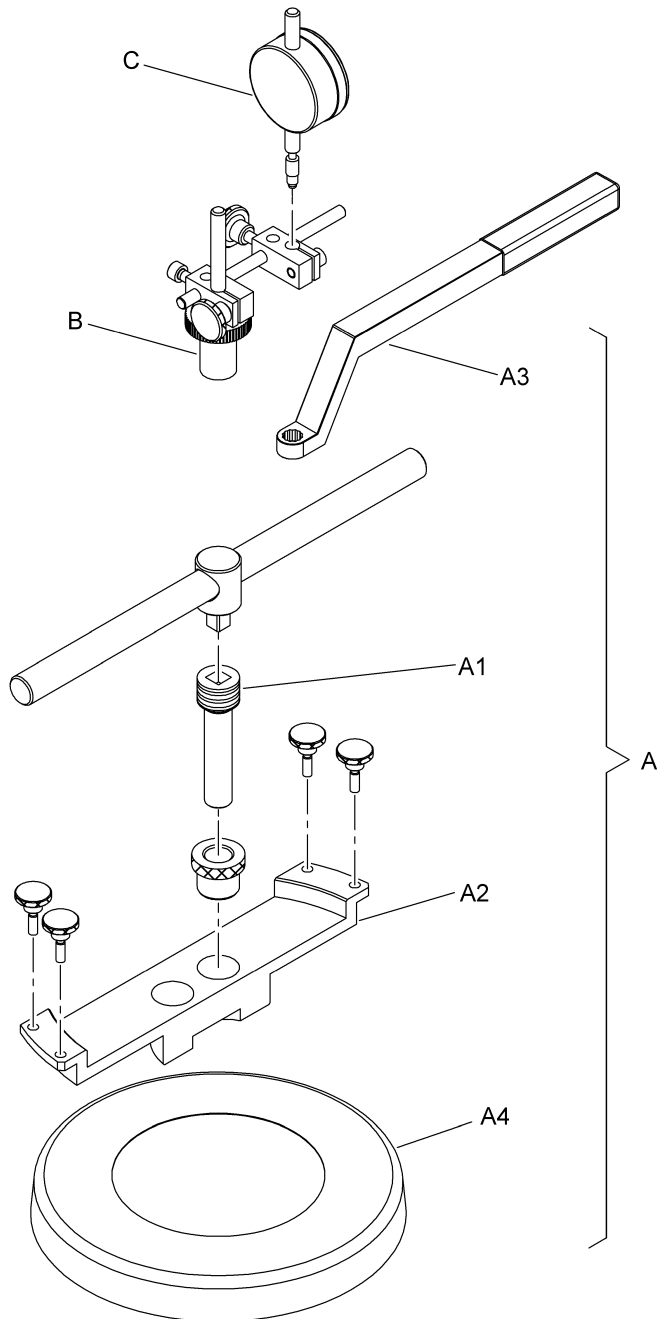
| <i>Description</i> | | <i>Part Number</i> | | | | |
|------------------------------------|------------------------------|----------------------------------|--------------------|------------------------------------|-------------|-----|
| PT WHEEL REMOVAL/INSTALLATION TOOL | | 8818379000 | | | | |
| <i>This tool replaces the tool</i> | | | | | | |
| <i>Supply code</i> | <i>Calibration frequency</i> | <i>Functional criteria check</i> | | | | |
| - | N/A | N/A | | | | |
| <i>Use</i> | | | | | | |
| <i>Use particularity</i> | | | | | | |
| <i>Alternate</i> | <i>Part Number</i> | | <i>Description</i> | | | |
| | | | | | | |
| TOOL | | | | P/N | DESCRIPTION | QTY |
| OT No. | Ind. | Ind. | | 1 2 3 | | |
| 60 0330 | | | 8818379000 | PT WHEEL REMOVAL/INSTALLATION TOOL | | 1 |

- ITEM NOT ILLUSTRATED

NP NON PROCURABLE

8819326000

Description: POWER TURBINE WHEEL REMOVAL/INSTALLATION TOOL



TURBOMECA ARRIUS 2 F

MAINTENANCE TOOLS CATALOG

| | | |
|---|------------------------------|----------------------------------|
| <i>Description</i> | | <i>Part Number</i> |
| POWER TURBINE WHEEL REMOVAL/ INSTALLATION TOOL | | 8819326000 |
| <i>This tool replaces the tool</i> | | |
| <i>Supply code</i> | <i>Calibration frequency</i> | <i>Functional criteria check</i> |
| - | N/A | N/A |
| <i>Use</i> | | |
| <i>Use particularity</i> | | |
| <i>Alternate</i> | <i>Part Number</i> | <i>Description</i> |
| | | |

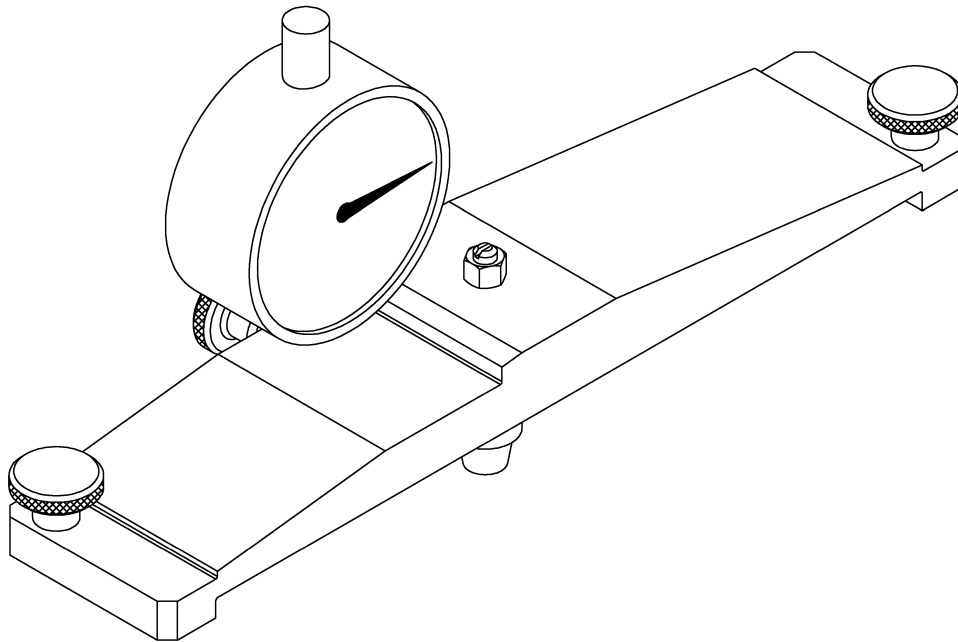
| TOOL | | | P/N | DESCRIPTION | QTY |
|---------|------|------|------------|--|-----|
| OT No. | Ind. | Ind. | | | |
| 60 0340 | | | 8819326000 | POWER TURBINE WHEEL REMOVAL/INSTALLATION TOOL | 1 |
| 60 0340 | A | | 8819326100 | . IMMOBILIZER | NP |
| 60 0340 | A | 1 | 8819326105 | . . 12-FLAT WRENCH | 1 |
| 60 0340 | A | 2 | 8819326101 | . . FIXTURE | NP |
| 60 0340 | A | 3 | 8819326112 | . . WRENCH | 1 |
| 60 0340 | A | 4 | 8819326111 | . . PROTECTOR | NP |
| 60 0340 | B | | 8819326200 | . COMPARATOR SUPPORT | NP |
| 60 0340 | C | | 8819326300 | . EQUIPPED COMPARATOR | NP |

- ITEM NOT ILLUSTRATED

NP NON PROCURABLE

TM0454G001

Description: PT WHEEL RUNOUT INSPECTION TOOL



TURBOMECA ARRIUS 2 F

MAINTENANCE TOOLS CATALOG

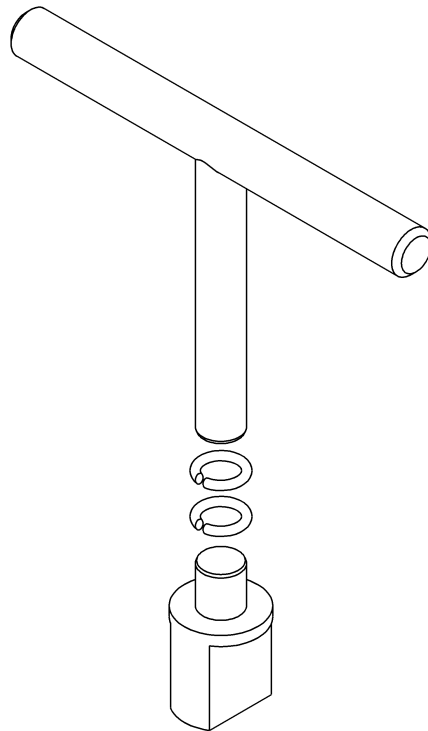
| <i>Description</i> | | <i>Part Number</i> | | | |
|------------------------------------|------------------------------|----------------------------------|--------------------|---------------------------------|-----|
| PT WHEEL RUNOUT INSPECTION TOOL | | TM0454G001 | | | |
| <i>This tool replaces the tool</i> | | | | | |
| <i>Supply code</i> | <i>Calibration frequency</i> | <i>Functional criteria check</i> | | | |
| - | N/A | N/A | | | |
| <i>Use</i> | | | | | |
| <i>Use particularity</i> | | | | | |
| <i>Alternate</i> | <i>Part Number</i> | | <i>Description</i> | | |
| | | | | | |
| TOOL | | | | | |
| OT No. | Ind. | Ind. | P/N | DESCRIPTION | QTY |
| 60 0350 | | | TM0454G001 | PT WHEEL RUNOUT INSPECTION TOOL | 1 |

- ITEM NOT ILLUSTRATED

NP NON PROCURABLE

8816758000

Description: RETAINING RING INSTALLATION TOOL



SAFRAN HELICOPTER ENGINES

ARRIUS 2 F

MAINTENANCE TOOLS CATALOG

| <i>Description</i> | <i>Part Number</i> |
|----------------------------------|--------------------|
| RETAINING RING INSTALLATION TOOL | 8816758000 |

| |
|------------------------------------|
| <i>This tool replaces the tool</i> |
|------------------------------------|

| <i>Supply code</i> | <i>Calibration frequency</i> | <i>Functional criteria check</i> |
|--------------------|------------------------------|----------------------------------|
| 3 - 2 | N/A | N/A |

| <i>Use</i> | |
|------------|--|
|------------|--|

| <i>Use particularity</i> | |
|--------------------------|--|
|--------------------------|--|

| <i>Alternate</i> | <i>Part Number</i> | <i>Description</i> |
|------------------|--------------------|--------------------|
| | | |

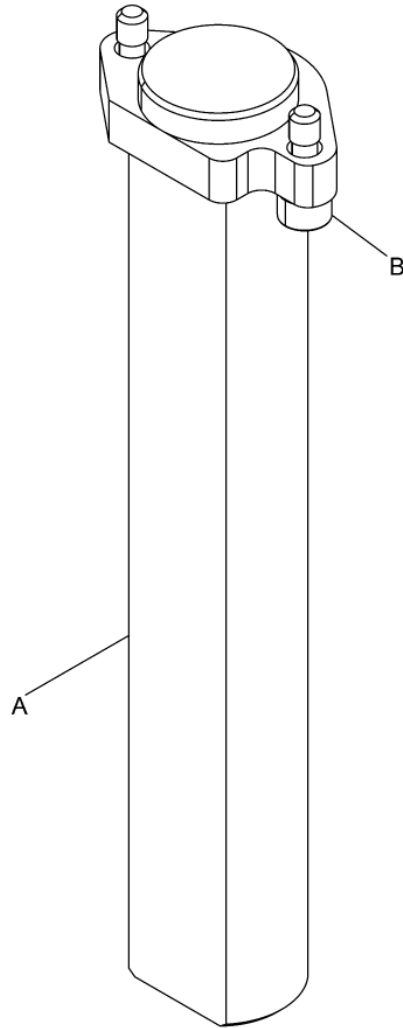
| TOOL | | | | P/N | DESCRIPTION | QTY |
|---------|------|------|------------|-------|----------------------------------|-----|
| OT No. | Ind. | Ind. | | 1 2 3 | | |
| 60 0370 | | | 8816758000 | | RETAINING RING INSTALLATION TOOL | 1 |

- ITEM NOT ILLUSTRATED

NP NON PROCURABLE

TM7346G001

Description: SUPPORT



SAFRAN HELICOPTER ENGINES

ARRIUS 2 F

MAINTENANCE TOOLS CATALOG

| <i>Description</i> | <i>Part Number</i> |
|--------------------|--------------------|
| SUPPORT | TM7346G001 |

| |
|------------------------------------|
| <i>This tool replaces the tool</i> |
|------------------------------------|

| <i>Supply code</i> | <i>Calibration frequency</i> | <i>Functional criteria check</i> |
|--------------------|------------------------------|----------------------------------|
| 3 - 2 | N/A | N/A |

| <i>Use</i> | |
|------------|--|
|------------|--|

| <i>Use particularity</i> | |
|--------------------------|--|
|--------------------------|--|

| <i>Alternate</i> | <i>Part Number</i> | <i>Description</i> |
|------------------|--------------------|--------------------|
| | | |

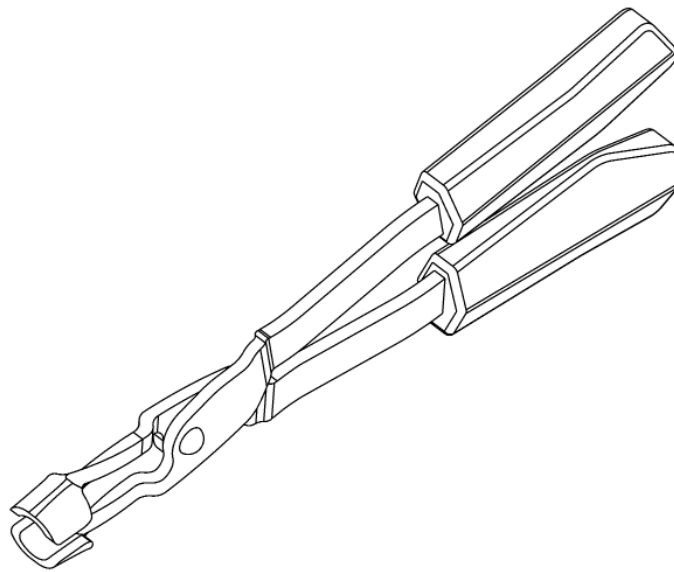
| | TOOL | | | P/N | DESCRIPTION | QTY |
|--|---------|------|------|------------|-----------------|-----|
| | OT No. | Ind. | Ind. | | | |
| | 60 0470 | | | TM7346G001 | SUPPORT | 1 |
| | 60 0470 | A | | TM7346P001 | . FLANGE | 1 |
| | 60 0470 | B | | TM7346P002 | . CAPTIVE SCREW | 2 |

- ITEM NOT ILLUSTRATED

NP NON PROCURABLE

TM3369G001

Description: *PLIERS*



SAFRAN HELICOPTER ENGINES

ARRIUS 2 F

MAINTENANCE TOOLS CATALOG

| <i>Description</i> | <i>Part Number</i> |
|--------------------|--------------------|
| PLIERS | TM3369G001 |

| |
|------------------------------------|
| <i>This tool replaces the tool</i> |
|------------------------------------|

| <i>Supply code</i> | <i>Calibration frequency</i> | <i>Functional criteria check</i> |
|--------------------|------------------------------|----------------------------------|
| 3 - 2 | N/A | N/A |

| <i>Use</i> | |
|------------|--|
|------------|--|

| <i>Use particularity</i> | |
|--------------------------|--|
|--------------------------|--|

| <i>Alternate</i> | <i>Part Number</i> | <i>Description</i> |
|------------------|--------------------|--------------------|
| | | |

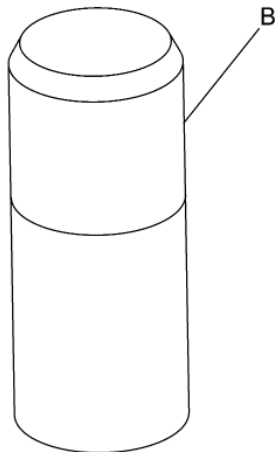
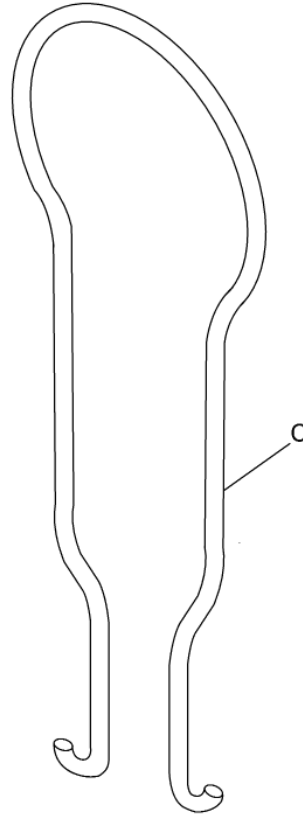
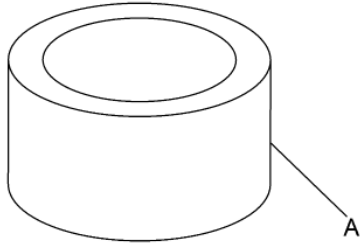
| | TOOL | | | P/N | DESCRIPTION | QTY |
|---|---------|------|------|------------|-------------|-----|
| | OT No. | Ind. | Ind. | | | |
| I | 60 0480 | | | TM3369G001 | PLIERS | 1 |

- ITEM NOT ILLUSTRATED

NP NON PROCURABLE

8813379000

Description: REMOVAL / INSTALLATION TOOL



SAFRAN HELICOPTER ENGINES

ARRIUS 2 F

MAINTENANCE TOOLS CATALOG

| | |
|-----------------------------|--------------------|
| <i>Description</i> | <i>Part Number</i> |
| REMOVAL / INSTALLATION TOOL | 8813379000 |

| | |
|------------------------------------|--|
| <i>This tool replaces the tool</i> | |
|------------------------------------|--|

| | | |
|--------------------|------------------------------|----------------------------------|
| <i>Supply code</i> | <i>Calibration frequency</i> | <i>Functional criteria check</i> |
| 3 - 2 | N/A | N/A |

| | |
|------------|--|
| <i>Use</i> | |
|------------|--|

| | |
|--------------------------|--|
| <i>Use particularity</i> | |
|--------------------------|--|

| | | |
|------------------|--------------------|--------------------|
| <i>Alternate</i> | <i>Part Number</i> | <i>Description</i> |
| | | |

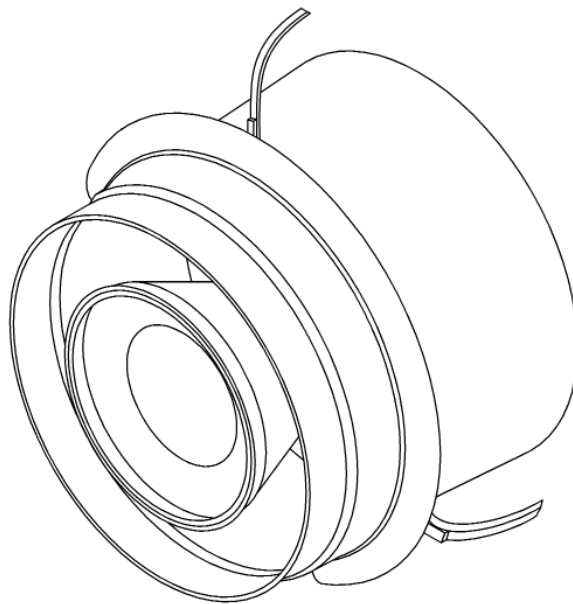
| | TOOL | | | P/N | DESCRIPTION | QTY |
|--|---------|------|------|------------|-----------------------------|-----|
| | OT No. | Ind. | Ind. | | | |
| | 60 0490 | | | 8813379000 | REMOVAL / INSTALLATION TOOL | 1 |
| | 60 0490 | A | | 8813379001 | . SEALOL RING | 1 |
| | 60 0490 | B | | 8813379002 | . SEALOL INSTALLATION | 1 |
| | 60 0490 | C | | 8813379004 | . SEALOL EXTRACTOR | 1 |

- ITEM NOT ILLUSTRATED

NP NON PROCURABLE

8818658000

Description: PLUG



SAFRAN HELICOPTER ENGINES

ARRIUS 2 F

MAINTENANCE TOOLS CATALOG

| <i>Description</i> | <i>Part Number</i> |
|--------------------|--------------------|
| PLUG | 8818658000 |

| |
|------------------------------------|
| <i>This tool replaces the tool</i> |
|------------------------------------|

| <i>Supply code</i> | <i>Calibration frequency</i> | <i>Functional criteria check</i> |
|--------------------|------------------------------|----------------------------------|
| 3 - 2 | N/A | N/A |

| | |
|------------|--|
| <i>Use</i> | |
|------------|--|

| | |
|--------------------------|--|
| <i>Use particularity</i> | |
|--------------------------|--|

| <i>Alternate</i> | <i>Part Number</i> | <i>Description</i> |
|------------------|--------------------|--------------------|
| | | |

| | TOOL | | | P/N | DESCRIPTION | QTY |
|---|---------|------|------|------------|-------------|-----|
| | OT No. | Ind. | Ind. | | | |
| 1 | 60 3060 | | | 8818658000 | PLUG | 1 |

- ITEM NOT ILLUSTRATED

NP NON PROCURABLE

9789141500

Description: FEMALE PLUG

NON ILLUSTRATED TOOL

SAFRAN HELICOPTER ENGINES

ARRIUS 2 F

MAINTENANCE TOOLS CATALOG

| | |
|--------------------|--------------------|
| <i>Description</i> | <i>Part Number</i> |
| FEMALE PLUG | 9789141500 |

| |
|------------------------------------|
| <i>This tool replaces the tool</i> |
|------------------------------------|

| | | |
|--------------------|------------------------------|----------------------------------|
| <i>Supply code</i> | <i>Calibration frequency</i> | <i>Functional criteria check</i> |
| 3 - 2 | N/A | N/A |

| | |
|------------|--|
| <i>Use</i> | |
|------------|--|

| | |
|--------------------------|--|
| <i>Use particularity</i> | |
|--------------------------|--|

| | | |
|------------------|--------------------|--------------------|
| <i>Alternate</i> | <i>Part Number</i> | <i>Description</i> |
| | | |

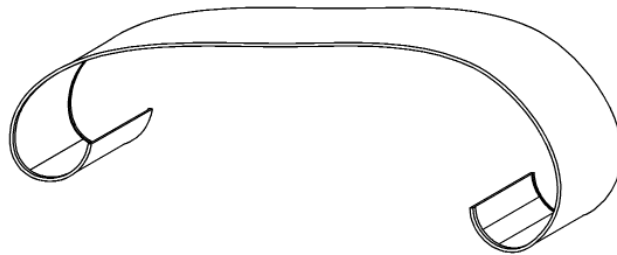
| | TOOL | | | P/N | DESCRIPTION | QTY |
|---|---------|------|------|------------|----------------------|-----|
| | OT No. | Ind. | Ind. | | | |
| - | 60 3070 | | | 9789141500 | 1 2 3 FEMALE PLUG | 1 |

- ITEM NOT ILLUSTRATED

NP NON PROCURABLE

8817506000

Description: PLUG



SAFRAN HELICOPTER ENGINES

ARRIUS 2 F

MAINTENANCE TOOLS CATALOG

| <i>Description</i> | <i>Part Number</i> |
|--------------------|--------------------|
| PLUG | 8817506000 |

| |
|------------------------------------|
| <i>This tool replaces the tool</i> |
|------------------------------------|

| <i>Supply code</i> | <i>Calibration frequency</i> | <i>Functional criteria check</i> |
|--------------------|------------------------------|----------------------------------|
| 3 - 2 | N/A | N/A |

| | |
|------------|--|
| <i>Use</i> | |
|------------|--|

| | |
|--------------------------|--|
| <i>Use particularity</i> | |
|--------------------------|--|

| <i>Alternate</i> | <i>Part Number</i> | <i>Description</i> |
|------------------|--------------------|--------------------|
| | | |

| | TOOL | | | P/N | DESCRIPTION | QTY |
|---|---------|------|------|------------|-------------|-----|
| | OT No. | Ind. | Ind. | | | |
| I | 60 3140 | | | 8817506000 | PLUG | 1 |

- ITEM NOT ILLUSTRATED

NP NON PROCURABLE

| | |
|-------------------|----------------------------------|
| 9789400070 | <i>Description: PLUG, DRAINS</i> |
|-------------------|----------------------------------|

NON ILLUSTRATED TOOL

SAFRAN HELICOPTER ENGINES

ARRIUS 2 F

MAINTENANCE TOOLS CATALOG

| | |
|---------------------|--------------------|
| <i>Description</i> | <i>Part Number</i> |
| PLUG, DRAINS | 9789400070 |

| |
|------------------------------------|
| <i>This tool replaces the tool</i> |
|------------------------------------|

| | | |
|--------------------|------------------------------|----------------------------------|
| <i>Supply code</i> | <i>Calibration frequency</i> | <i>Functional criteria check</i> |
| 3 - 2 | N/A | N/A |

| | |
|------------|--|
| <i>Use</i> | |
|------------|--|

| | |
|--------------------------|--|
| <i>Use particularity</i> | |
|--------------------------|--|

| | | |
|------------------|--------------------|--------------------|
| <i>Alternate</i> | <i>Part Number</i> | <i>Description</i> |
| | | |

| | TOOL | | | P/N | DESCRIPTION | QTY |
|-----|---------|------|------|------------|--------------|-----|
| | OT No. | Ind. | Ind. | | | |
| I - | 60 3160 | | | 9789400070 | PLUG, DRAINS | 1 |

- ITEM NOT ILLUSTRATED

NP NON PROCURABLE

| | |
|-------------------|------------------------------|
| 9789400300 | <i>Description: U30 PLUG</i> |
|-------------------|------------------------------|

NON ILLUSTRATED TOOL

TURBOMECA ARRIUS 2 F

MAINTENANCE TOOLS CATALOG

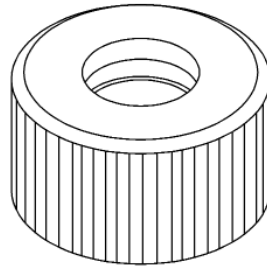
| <i>Description</i> | | | | <i>Part Number</i> | | | |
|------------------------------------|---------|------------------------------|------|--------------------|----------------------------------|---|-----|
| U30 PLUG | | | | 9789400300 | | | |
| <i>This tool replaces the tool</i> | | | | | | | |
| <i>Supply code</i> | | <i>Calibration frequency</i> | | | <i>Functional criteria check</i> | | |
| 3 - 2 | | N/A | | | N/A | | |
| <i>Use</i> | | | | | | | |
| <i>Use particularity</i> | | | | | | | |
| <i>Alternate</i> | | <i>Part Number</i> | | | <i>Description</i> | | |
| | | | | | | | |
| TOOL | | | | P/N | DESCRIPTION | | QTY |
| | OT No. | Ind. | Ind. | | 1 | 2 | 3 |
| I - | 60 3180 | | | 9789400300 | U30 PLUG | | 2 |

- ITEM NOT ILLUSTRATED

NP NON PROCURABLE

8819832000

Description: PROTECTOR NUT



SAFRAN HELICOPTER ENGINES

ARRIUS 2 F

MAINTENANCE TOOLS CATALOG

| | |
|--------------------|--------------------|
| <i>Description</i> | <i>Part Number</i> |
| PROTECTOR NUT | 8819832000 |

| |
|------------------------------------|
| <i>This tool replaces the tool</i> |
|------------------------------------|

| | | |
|--------------------|------------------------------|----------------------------------|
| <i>Supply code</i> | <i>Calibration frequency</i> | <i>Functional criteria check</i> |
| 3 - 2 | N/A | N/A |

| | |
|------------|--|
| <i>Use</i> | |
|------------|--|

| | |
|--------------------------|--|
| <i>Use particularity</i> | |
|--------------------------|--|

| | | |
|------------------|--------------------|--------------------|
| <i>Alternate</i> | <i>Part Number</i> | <i>Description</i> |
| | | |

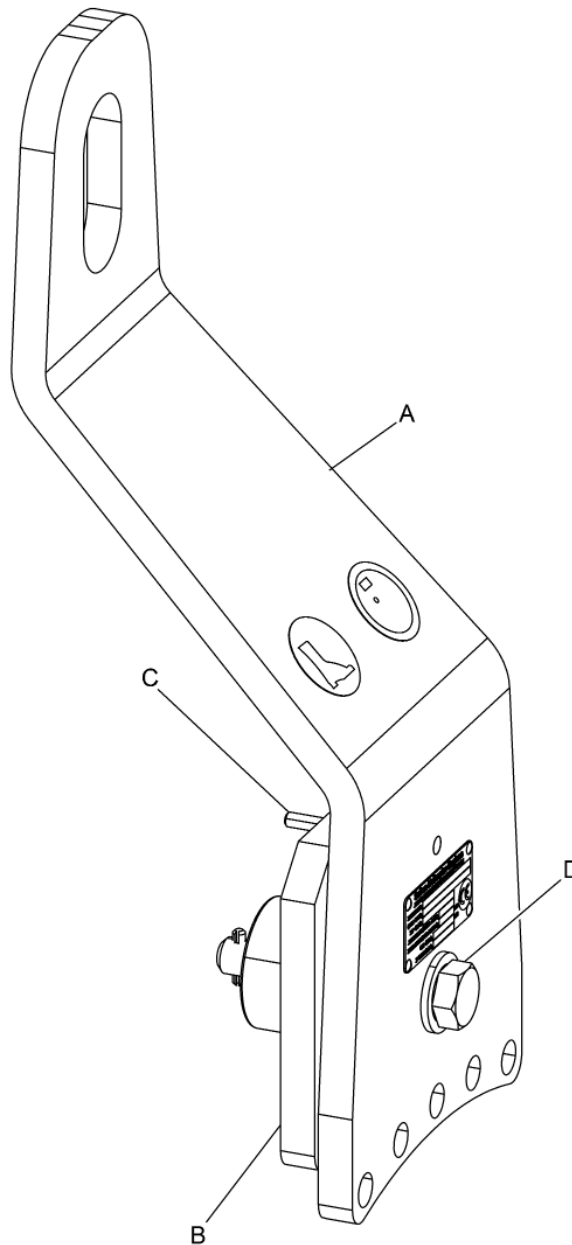
| TOOL | | | | P/N | DESCRIPTION | QTY |
|---------|------|------|------------|---------------|-------------|-----|
| OT No. | Ind. | Ind. | | 1 2 3 | | |
| 60 3320 | | | 8819832000 | PROTECTOR NUT | | 4 |

- ITEM NOT ILLUSTRATED

NP NON PROCURABLE

TM7550G001

Description: LIFTING FIXTURES



SAFRAN HELICOPTER ENGINES

ARRIUS 2 F

MAINTENANCE TOOLS CATALOG

| <i>Description</i> | <i>Part Number</i> |
|-------------------------|--------------------|
| LIFTING FIXTURES | TM7550G001 |

| |
|------------------------------------|
| <i>This tool replaces the tool</i> |
|------------------------------------|

| <i>Supply code</i> | <i>Calibration frequency</i> | <i>Functional criteria check</i> |
|--------------------|------------------------------|----------------------------------|
| 3 - 1 | 12 | N/A |

| <i>Use</i> | Tool used to hoist the module 02, gas generator module. |
|------------|---|
|------------|---|

| <i>Use particularity</i> | |
|--------------------------|--|
|--------------------------|--|

| <i>Alternate</i> | <i>Part Number</i> | <i>Description</i> |
|------------------|--------------------|--------------------|
| | | |

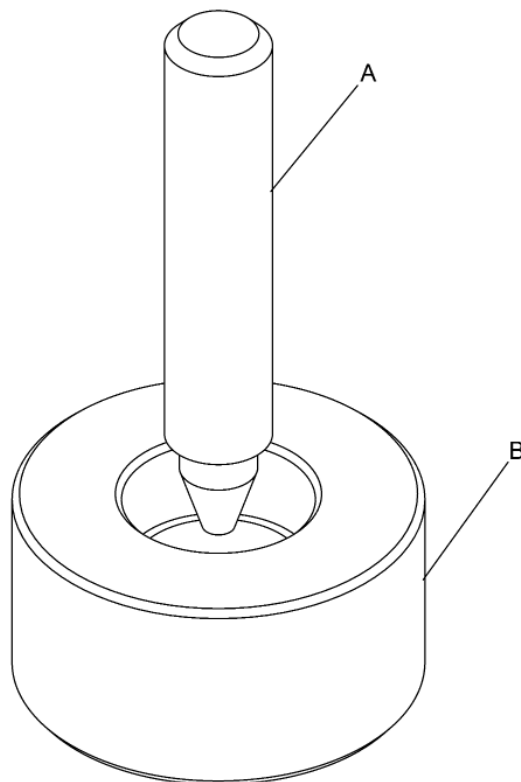
| | TOOL | | | P/N | DESCRIPTION | QTY |
|--|---------|------|------|------------|------------------|-----|
| | OT No. | Ind. | Ind. | | | |
| | 60 3340 | | | TM7550G001 | LIFTING FIXTURES | 1 |
| | 60 3340 | A | | TM7550P001 | . BRACKET | 1 |
| | 60 3340 | B | | TM7550P002 | . CLAMP | 1 |
| | 60 3340 | C | | TM7550P003 | . GUIDE | 1 |
| | 60 3340 | D | | TM7550P004 | . SCREW MODIFIED | 1 |

- ITEM NOT ILLUSTRATED

NP NON PROCURABLE

8814482000

Description: EXTRACTION MANDREL



SAFRAN HELICOPTER ENGINES

ARRIUS 2 F

MAINTENANCE TOOLS CATALOG

| | |
|--------------------|--------------------|
| <i>Description</i> | <i>Part Number</i> |
| EXTRACTION MANDREL | 8814482000 |

| |
|------------------------------------|
| <i>This tool replaces the tool</i> |
|------------------------------------|

| | | |
|--------------------|------------------------------|----------------------------------|
| <i>Supply code</i> | <i>Calibration frequency</i> | <i>Functional criteria check</i> |
| 3 - 2 | N/A | N/A |

| | |
|------------|--|
| <i>Use</i> | |
|------------|--|

| | |
|--------------------------|--|
| <i>Use particularity</i> | |
|--------------------------|--|

| | | |
|------------------|--------------------|--------------------|
| <i>Alternate</i> | <i>Part Number</i> | <i>Description</i> |
| | | |

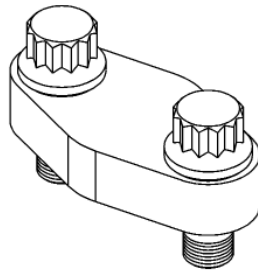
| | TOOL | | | P/N | DESCRIPTION | QTY |
|--|---------|------|------|------------|--------------------|-----|
| | OT No. | Ind. | Ind. | | | |
| | 70 0010 | | | 8814482000 | EXTRACTION MANDREL | 1 |
| | 70 0010 | A | | 8814482001 | . PLUNGER | 1 |
| | 70 0010 | B | | 8814482002 | . STAND | 1 |

- ITEM NOT ILLUSTRATED

NP NON PROCURABLE

TM4575G001

Description: PLUG



SAFRAN HELICOPTER ENGINES

ARRIUS 2 F

MAINTENANCE TOOLS CATALOG

| | |
|--------------------|--------------------|
| <i>Description</i> | <i>Part Number</i> |
| PLUG | TM4575G001 |

| |
|------------------------------------|
| <i>This tool replaces the tool</i> |
|------------------------------------|

| | | |
|--------------------|------------------------------|----------------------------------|
| <i>Supply code</i> | <i>Calibration frequency</i> | <i>Functional criteria check</i> |
| 3 - 2 | N/A | N/A |

| | |
|------------|--|
| <i>Use</i> | |
|------------|--|

| | |
|--------------------------|--|
| <i>Use particularity</i> | |
|--------------------------|--|

| | | |
|------------------|--------------------|--------------------|
| <i>Alternate</i> | <i>Part Number</i> | <i>Description</i> |
| | | |

| | TOOL | | | P/N | DESCRIPTION | QTY |
|---|---------|------|------|------------|-------------|-----|
| | OT No. | Ind. | Ind. | | | |
| 1 | 70 3030 | | | TM4575G001 | PLUG | 2 |

- ITEM NOT ILLUSTRATED

NP NON PROCURABLE

| | |
|------------|-------------------|
| 9789181500 | Description: PLUG |
|------------|-------------------|

NON ILLUSTRATED TOOL

SAFRAN HELICOPTER ENGINES

ARRIUS 2 F

MAINTENANCE TOOLS CATALOG

| <i>Description</i> | <i>Part Number</i> |
|--------------------|--------------------|
| PLUG | 9789181500 |

| |
|------------------------------------|
| <i>This tool replaces the tool</i> |
|------------------------------------|

| <i>Supply code</i> | <i>Calibration frequency</i> | <i>Functional criteria check</i> |
|--------------------|------------------------------|----------------------------------|
| 3 - 2 | N/A | N/A |

| | |
|------------|--|
| <i>Use</i> | |
|------------|--|

| | |
|--------------------------|--|
| <i>Use particularity</i> | |
|--------------------------|--|

| <i>Alternate</i> | <i>Part Number</i> | <i>Description</i> |
|------------------|--------------------|--------------------|
| | | |

| | TOOL | | | P/N | DESCRIPTION | QTY |
|---|---------|------|------|------------|-------------|-----|
| | OT No. | Ind. | Ind. | | | |
| - | 70 3110 | | | 9789181500 | PLUG | 1 |

- ITEM NOT ILLUSTRATED

NP NON PROCURABLE

| | |
|-------------------|--------------------------|
| 9789400180 | <i>Description: PLUG</i> |
|-------------------|--------------------------|

NON ILLUSTRATED TOOL

SAFRAN HELICOPTER ENGINES

ARRIUS 2 F

MAINTENANCE TOOLS CATALOG

| <i>Description</i> | <i>Part Number</i> |
|--------------------|--------------------|
| PLUG | 9789400180 |

| |
|------------------------------------|
| <i>This tool replaces the tool</i> |
|------------------------------------|

| <i>Supply code</i> | <i>Calibration frequency</i> | <i>Functional criteria check</i> |
|--------------------|------------------------------|----------------------------------|
| 3 - 2 | N/A | N/A |

| | |
|------------|--|
| <i>Use</i> | |
|------------|--|

| | |
|--------------------------|--|
| <i>Use particularity</i> | |
|--------------------------|--|

| <i>Alternate</i> | <i>Part Number</i> | <i>Description</i> |
|------------------|--------------------|--------------------|
| | | |

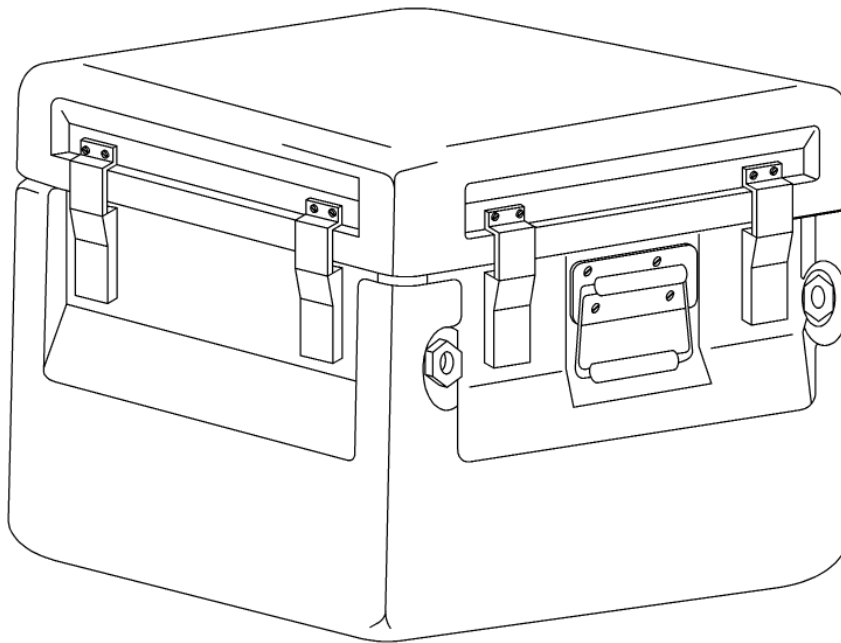
| | TOOL | | | P/N | DESCRIPTION | QTY |
|-----|---------|------|------|------------|-------------|-----|
| | OT No. | Ind. | Ind. | | | |
| I - | 70 3180 | | | 9789400180 | PLUG | 2 |

- ITEM NOT ILLUSTRATED

NP NON PROCURABLE

8819367000

Description: CONTAINER, BARE REDUCTION GEAR



SAFRAN HELICOPTER ENGINES

ARRIUS 2 F

MAINTENANCE TOOLS CATALOG

| Description | Part Number |
|--------------------------------|-------------|
| CONTAINER, BARE REDUCTION GEAR | 8819367000 |

| |
|------------------------------------|
| <i>This tool replaces the tool</i> |
|------------------------------------|

| Supply code | Calibration frequency | Functional criteria check |
|-------------|-----------------------|---------------------------|
| 3 - 2 | N/A | N/A |

| | |
|--------------------------|--|
| Use | Laminated container (C2R type) used to transport and store the reduction gear (Module 01). |
| Use particularity | |

| Alternate | Part Number | Description |
|-----------|-------------|-------------|
| | | |

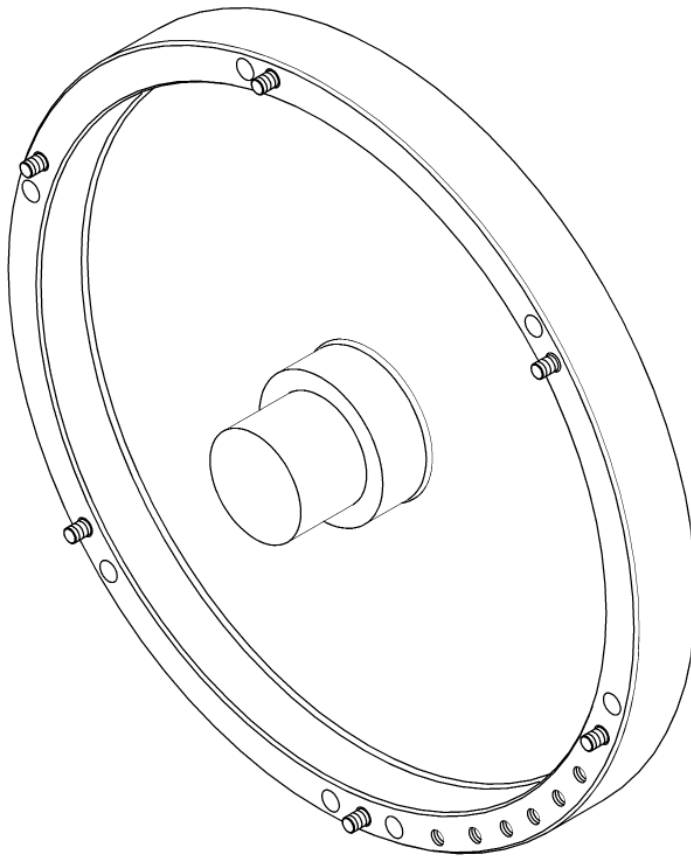
| | TOOL | | | P/N | DESCRIPTION | QTY |
|---|---------|------|------|------------|--------------------------------|-----|
| | OT No. | Ind. | Ind. | | | |
| | 80 0020 | | | 8819367000 | CONTAINER, BARE REDUCTION GEAR | 1 |
| - | 80 0020 | A | | 8816389000 | . PLUG | 1 |
| - | 80 0020 | B | | 8819828000 | . PLUG | 1 |
| - | 80 0020 | C | | TM4589G001 | . PLUG | 1 |
| - | 80 0020 | D | | 8819373000 | . PLUG | 1 |
| - | 80 0020 | E | | 8819372000 | . PLUG | 2 |
| - | 80 0020 | F | | 8819370000 | . PLUG | 1 |
| - | 80 0020 | G | | TM4585G001 | . PLUG | 2 |
| - | 80 0020 | H | | TM4584G001 | . PLUG | 1 |
| - | 80 0020 | I | | TM4583G001 | . PLUG | 1 |
| - | 80 0020 | J | | TM4582G001 | . PLUG | 7 |
| - | 80 0020 | K | | 8818644000 | . PLUG | 1 |
| - | 80 0020 | L | | TM4362G001 | . PLUG | 1 |
| - | 80 0020 | M | | 8816228000 | . PLUG, STARTER | 1 |
| - | 80 0020 | N | | 8819645000 | . PLUG | 1 |
| - | 80 0020 | O | | 9561490180 | . PLUG | 1 |

- ITEM NOT ILLUSTRATED

NP NON PROCURABLE

8818641000

Description: PLUG



ARRIUS 2 F

| <i>Description</i> | <i>Part Number</i> |
|--------------------|--------------------|
| PLUG | 8818641000 |

| |
|------------------------------------|
| <i>This tool replaces the tool</i> |
|------------------------------------|

| <i>Supply code</i> | <i>Calibration frequency</i> | <i>Functional criteria check</i> |
|--------------------|------------------------------|----------------------------------|
| 3 - 2 | N/A | N/A |

| <i>Use</i> | Tool used to plug the rear of the removed reduction gear. |
|------------|---|
|------------|---|

| <i>Use particularity</i> | |
|--------------------------|--|
|--------------------------|--|

| <i>Alternate</i> | <i>Part Number</i> | <i>Description</i> |
|------------------|--------------------|--------------------|
| | | |

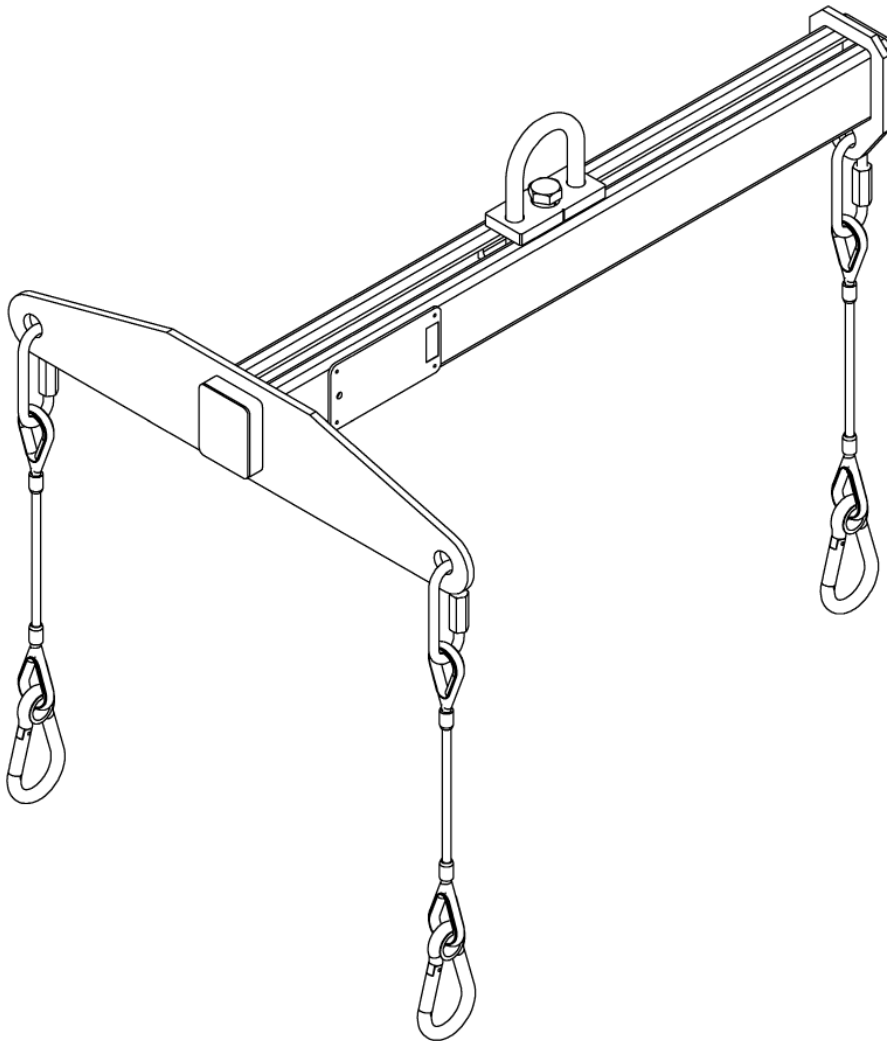
| | TOOL | | | P/N | DESCRIPTION | QTY |
|------------|---------|------|------|------------|-------------|-----|
| | OT No. | Ind. | Ind. | | | |
| - | 80 0060 | | | 8818641000 | PLUG | 1 |
| | 80 0060 | A | | 9560152620 | . SCREW | 6 |

- ITEM NOT ILLUSTRATED

NP NON PROCURABLE

8818368000

Description: HOISTING SLING



SAFRAN HELICOPTER ENGINES

ARRIUS 2 F

MAINTENANCE TOOLS CATALOG

| <i>Description</i> | <i>Part Number</i> |
|-----------------------|--------------------|
| HOISTING SLING | 8818368000 |

| |
|------------------------------------|
| <i>This tool replaces the tool</i> |
|------------------------------------|

| <i>Supply code</i> | <i>Calibration frequency</i> | <i>Functional criteria check</i> |
|--------------------|------------------------------|----------------------------------|
| 3 - 1 | 12 | N/A |

| | |
|------------|--|
| Use | Tool use to handle the engine with a pulley-block. |
|------------|--|

| | |
|--------------------------|--|
| Use particularity | |
|--------------------------|--|

| <i>Alternate</i> | <i>Part Number</i> | <i>Description</i> |
|------------------|--------------------|--------------------|
| | | |

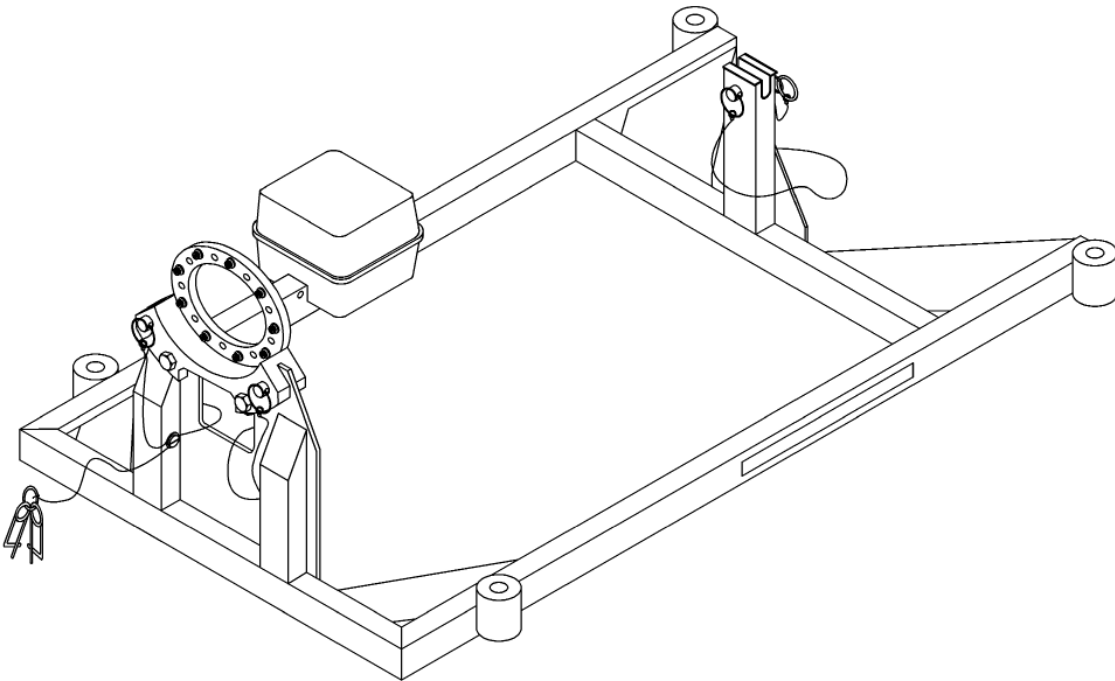
| TOOL | | | | P/N | DESCRIPTION | QTY |
|--------|---------|------|--|------------|--------------------|-----|
| OT No. | Ind. | Ind. | | 1 2 3 | | |
| | | | | 8818368000 | HOISTING SLING | 1 |
| - | 80 0070 | A | | 8818368006 | . SNAP HOOK HOLDER | 3 |
| - | 80 0070 | B | | 8818368004 | . LINK | 3 |
| - | 80 0070 | C | | 8818368005 | . SLING | 3 |
| - | 80 0070 | D | | 8818368002 | . RING | 1 |
| - | 80 0070 | E | | 8818368001 | . HOISTING BEAM | 1 |

- ITEM NOT ILLUSTRATED

NP NON PROCURABLE

8819331000

Description: ENGINE MOUNT ASSEMBLY



SAFRAN HELICOPTER ENGINES

ARRIUS 2 F

MAINTENANCE TOOLS CATALOG

| Description | Part Number |
|-----------------------|-------------|
| ENGINE MOUNT ASSEMBLY | 8819331000 |

| |
|------------------------------------|
| <i>This tool replaces the tool</i> |
|------------------------------------|

| Supply code | Calibration frequency | Functional criteria check |
|-------------|-----------------------|---------------------------|
| 3 - 2 | N/A | N/A |

| | |
|------------|--|
| Use | Tool use to install the engine on a trolley to transport it to workshop, in a container for storage. |
|------------|--|

| | |
|--------------------------|--|
| Use particularity | |
|--------------------------|--|

| Alternate | Part Number | Description |
|-----------|-------------|-------------|
| | | |

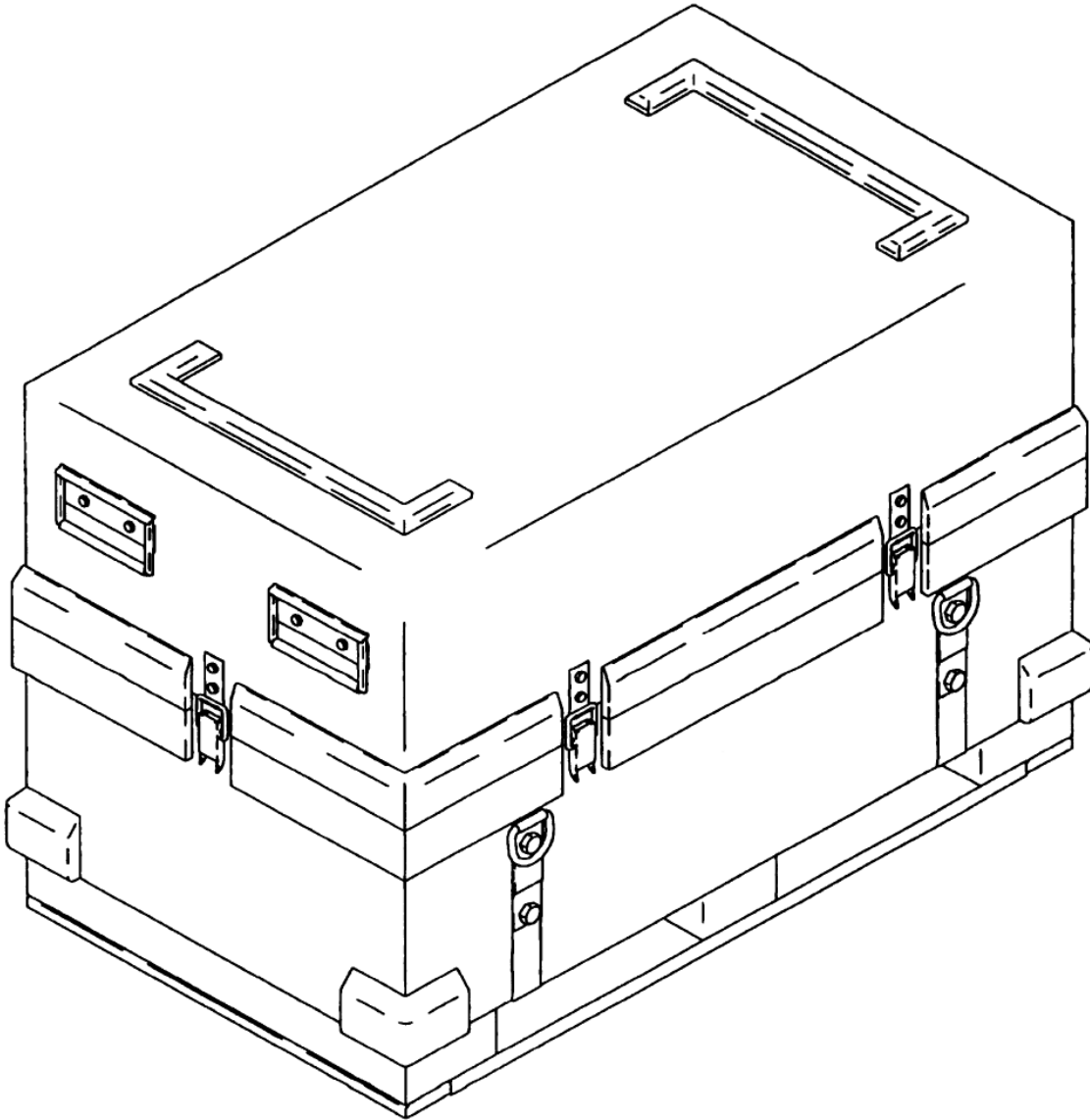
| | TOOL | | | P/N | DESCRIPTION | QTY |
|---|---------|------|------|------------|-----------------------|-----|
| | OT No. | Ind. | Ind. | | | |
| | 80 0080 | | | 8819331000 | ENGINE MOUNT ASSEMBLY | 1 |
| - | 80 0080 | A | | 8810600006 | . PIN | 3 |
| - | 80 0080 | B | | 8819331002 | . REAR FLANGE | 1 |
| - | 80 0080 | C | | 8818314000 | . H.E. IGNITION UNIT | 1 |
| - | 80 0080 | D | | 8819331001 | . HOISTING BEAM | 1 |

- ITEM NOT ILLUSTRATED

NP NON PROCURABLE

8819805000

Description: WOOD CONTAINER, SHUTTLE



SAFRAN HELICOPTER ENGINES

ARRIUS 2 F

MAINTENANCE TOOLS CATALOG

| | |
|-------------------------|--------------------|
| <i>Description</i> | <i>Part Number</i> |
| WOOD CONTAINER, SHUTTLE | 8819805000 |

| |
|------------------------------------|
| <i>This tool replaces the tool</i> |
|------------------------------------|

| | | |
|--------------------|------------------------------|----------------------------------|
| <i>Supply code</i> | <i>Calibration frequency</i> | <i>Functional criteria check</i> |
| 3 - 2 | N/A | N/A |

| | |
|------------|---|
| <i>Use</i> | Laminated container used to transport and store the engine. |
|------------|---|

| | |
|--------------------------|--|
| <i>Use particularity</i> | |
|--------------------------|--|

| | | |
|------------------|--------------------|--------------------|
| <i>Alternate</i> | <i>Part Number</i> | <i>Description</i> |
| | | |

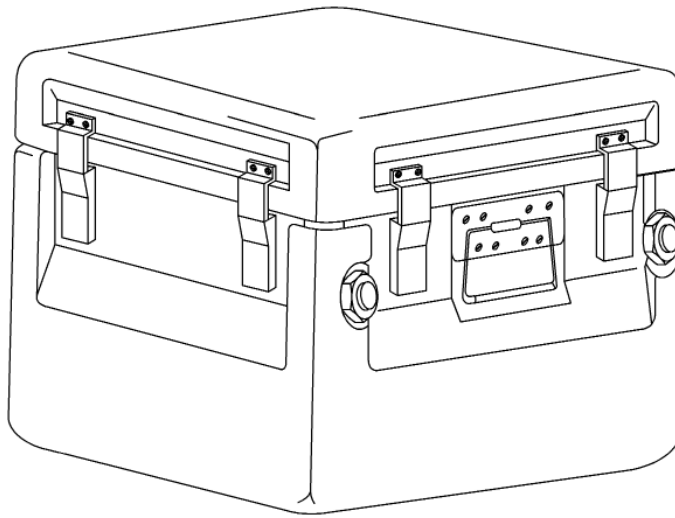
| TOOL | | | | P/N | DESCRIPTION | QTY |
|---------|------|------|------------|-------------------------|-------------|-----|
| OT No. | Ind. | Ind. | | 1 2 3 | | |
| 80 0090 | | | 8819805000 | WOOD CONTAINER, SHUTTLE | | 1 |

- ITEM NOT ILLUSTRATED

NP NON PROCURABLE

8819823000

Description: CONTAINER, REDUCTION GEARBOX



ARRIUS 2 F

| <i>Description</i> | <i>Part Number</i> |
|------------------------------|--------------------|
| CONTAINER, REDUCTION GEARBOX | 8819823000 |

| |
|------------------------------------|
| <i>This tool replaces the tool</i> |
|------------------------------------|

| <i>Supply code</i> | <i>Calibration frequency</i> | <i>Functional criteria check</i> |
|--------------------|------------------------------|----------------------------------|
| 3 - 2 | N/A | N/A |

| | |
|------------|--|
| <i>Use</i> | Container (C2R type) use to transport and store the REDUCTION GEARBOX (module 01). |
|------------|--|

| | |
|--------------------------|--|
| <i>Use particularity</i> | |
|--------------------------|--|

| <i>Alternate</i> | <i>Part Number</i> | <i>Description</i> |
|------------------|--------------------|--------------------|
| | | |

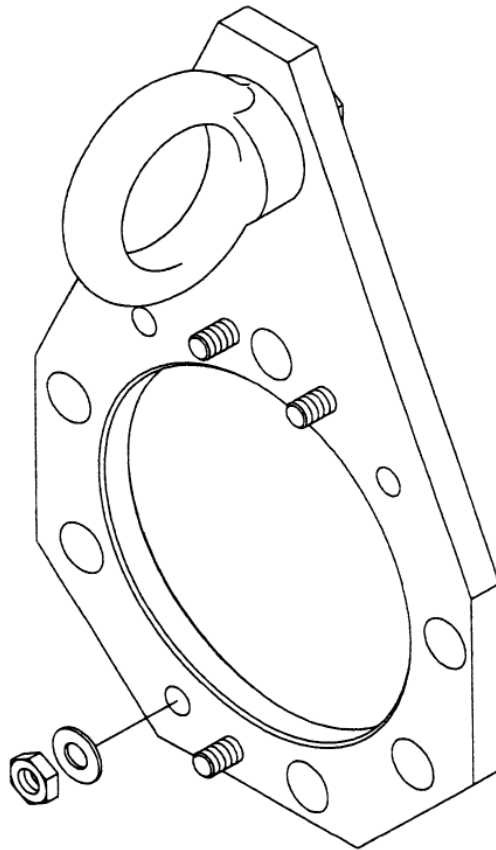
| | TOOL | | | P/N | DESCRIPTION | QTY |
|------------|---------|------|------|------------|------------------------------|-----|
| | OT No. | Ind. | Ind. | | | |
| | | | | | 1 2 3 | |
| - | 80 0100 | | | 8819823000 | CONTAINER, REDUCTION GEARBOX | 1 |
| | 80 0100 | A | | 8819823200 | . PLUGS KIT | 1 |

- ITEM NOT ILLUSTRATED

NP NON PROCURABLE

8819454000

Description: HANDLING MATCHING



SAFRAN HELICOPTER ENGINES

ARRIUS 2 F

MAINTENANCE TOOLS CATALOG

| | |
|--------------------|--------------------|
| <i>Description</i> | <i>Part Number</i> |
| HANDLING MATCHING | 8819454000 |

| |
|------------------------------------|
| <i>This tool replaces the tool</i> |
|------------------------------------|

| | | |
|--------------------|------------------------------|----------------------------------|
| <i>Supply code</i> | <i>Calibration frequency</i> | <i>Functional criteria check</i> |
| 3 - 2 | N/A | N/A |

| | |
|------------|--|
| <i>Use</i> | Tool to install engine reduction gear inside container |
|------------|--|

| | |
|--------------------------|--|
| <i>Use particularity</i> | |
|--------------------------|--|

| | | |
|------------------|--------------------|--------------------|
| <i>Alternate</i> | <i>Part Number</i> | <i>Description</i> |
| | | |

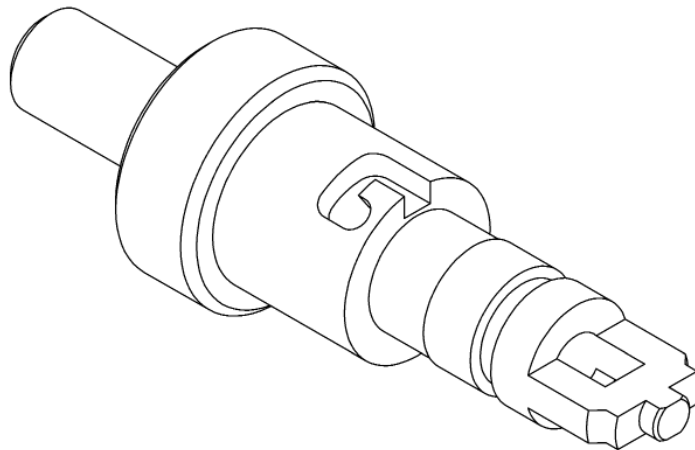
| | TOOL | | | P/N | DESCRIPTION | QTY |
|---|---------|------|------|------------|-------------------|-----|
| | OT No. | Ind. | Ind. | | | |
| I | 80 0120 | | | 8819454000 | HANDLING MATCHING | 1 |

- ITEM NOT ILLUSTRATED

NP NON PROCURABLE

8816520000

Description: DRAINING DEVICE



TURBOMECA ARRIUS 2 F

MAINTENANCE TOOLS CATALOG

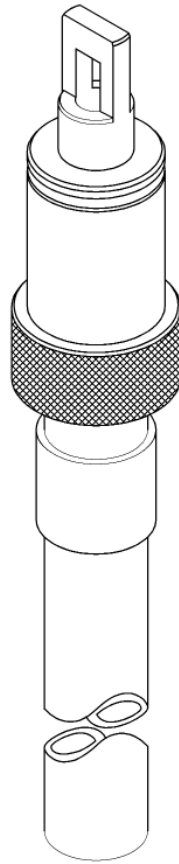
| <i>Description</i> | | | | <i>Part Number</i> | | | |
|------------------------------------|---------|--|------|----------------------------------|---------------------|-----|--|
| DRAINING DEVICE | | | | 8816520000 | | | |
| <i>This tool replaces the tool</i> | | | | 8819450000 | | | |
| <i>Supply code</i> | | <i>Calibration frequency</i> | | <i>Functional criteria check</i> | | | |
| 3 - 2 | | N/A | | N/A | | | |
| <i>Use</i> | | Device use to drain the engine through the drain plug or the front magnetic plug | | | | | |
| <i>Use particularity</i> | | | | | | | |
| <i>Alternate</i> | | <i>Part Number</i> | | | <i>Description</i> | | |
| | | | | | | | |
| TOOL | | | | P/N | DESCRIPTION | QTY | |
| | OT No. | Ind. | Ind. | | 1 2 3 | | |
| - | 80 0130 | | | 8816520000 | DRAINING DEVICE | 1 | |
| | 80 0130 | A | | 9681800921 | . PACKING PREFORMED | 1 | |

- ITEM NOT ILLUSTRATED

NP NON PROCURABLE

TM0310G001

Description: DRAINING DEVICE



SAFRAN HELICOPTER ENGINES

ARRIUS 2 F

MAINTENANCE TOOLS CATALOG

| <i>Description</i> | <i>Part Number</i> |
|------------------------|--------------------|
| DRAINING DEVICE | TM0310G001 |

| |
|------------------------------------|
| <i>This tool replaces the tool</i> |
|------------------------------------|

| <i>Supply code</i> | <i>Calibration frequency</i> | <i>Functional criteria check</i> |
|--------------------|------------------------------|----------------------------------|
| 3 - 2 | N/A | N/A |

| <i>Use</i> | Device use to drain the engine through the drain plug (pre TF 35A) or the magnetic plug (pre TF 34A) |
|------------|--|
|------------|--|

| <i>Use particularity</i> | |
|--------------------------|--|
|--------------------------|--|

| <i>Alternate</i> | <i>Part Number</i> | <i>Description</i> |
|------------------|--------------------|--------------------|
| | | |

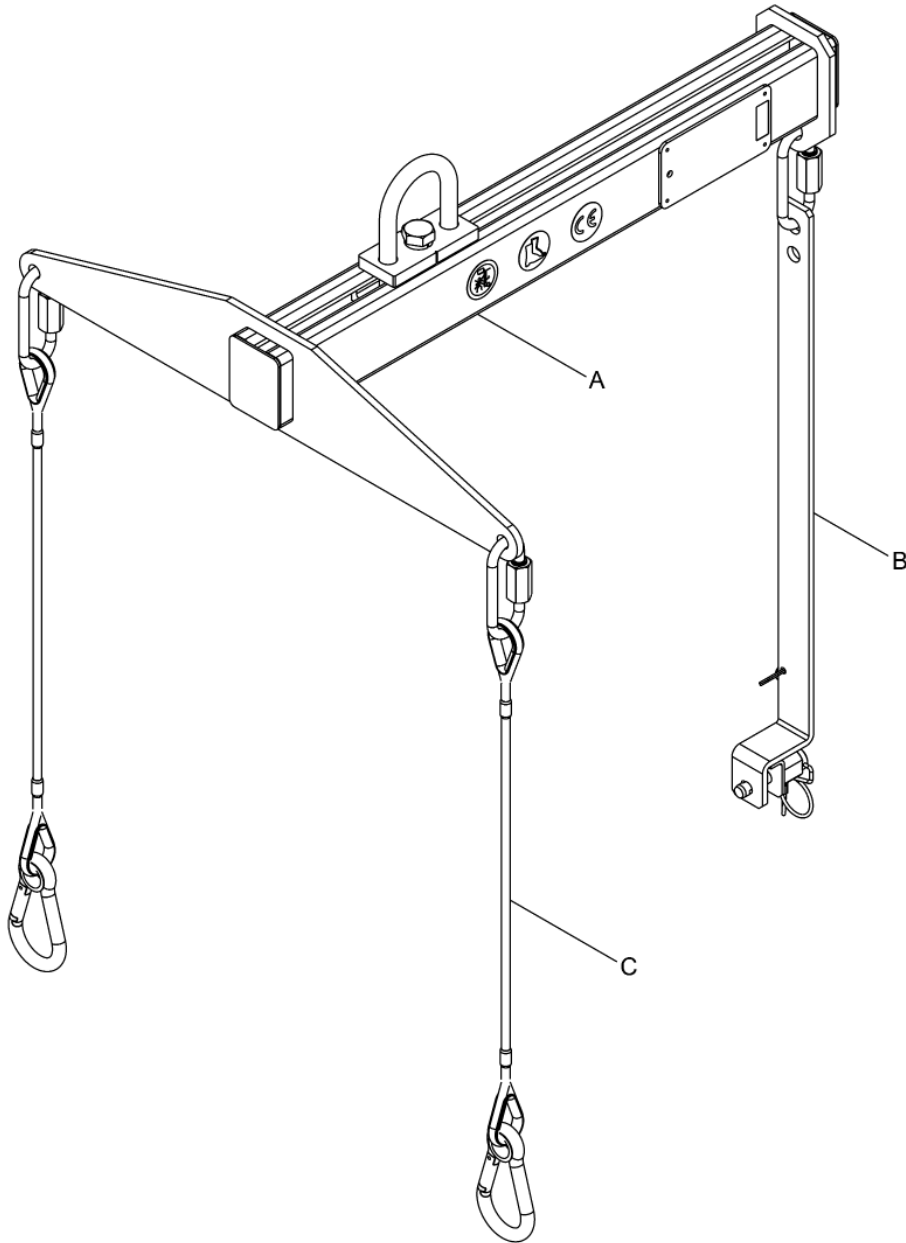
| | TOOL | | | P/N | DESCRIPTION | QTY |
|---|---------|------|------|------------|---------------------|-----|
| | OT No. | Ind. | Ind. | | | |
| - | 80 0140 | | | TM0310G001 | DRAINING DEVICE | 1 |
| | 80 0140 | A | | TM0310P002 | . PACKING PREFORMED | 1 |

- ITEM NOT ILLUSTRATED

NP NON PROCURABLE

TM2812G001

Description: HOISTING SLING



SAFRAN HELICOPTER ENGINES

ARRIUS 2 F

MAINTENANCE TOOLS CATALOG

| Description | Part Number |
|----------------|-------------|
| HOISTING SLING | TM2812G001 |

| |
|------------------------------------|
| <i>This tool replaces the tool</i> |
|------------------------------------|

| Supply code | Calibration frequency | Functional criteria check |
|-------------|-----------------------|---------------------------|
| 3 - 1 | 12 | N/A |

| | |
|------------|--|
| Use | Tool used to handle the engine with a pulley-block |
|------------|--|

| | |
|--------------------------|--|
| Use particularity | The alternative 8818368000 is specific to the F effectivity and the 8818632000 to B1-B1A-B2-K1-K2-G1-F effectivities. The alternative TM6721G001 can be used with all Arrius 2 variants. |
|--------------------------|--|

| Alternate | Part Number | Description |
|-----------|------------------------------------|----------------|
| | 8818632000, 8818368000, TM6721G001 | HOISTING SLING |

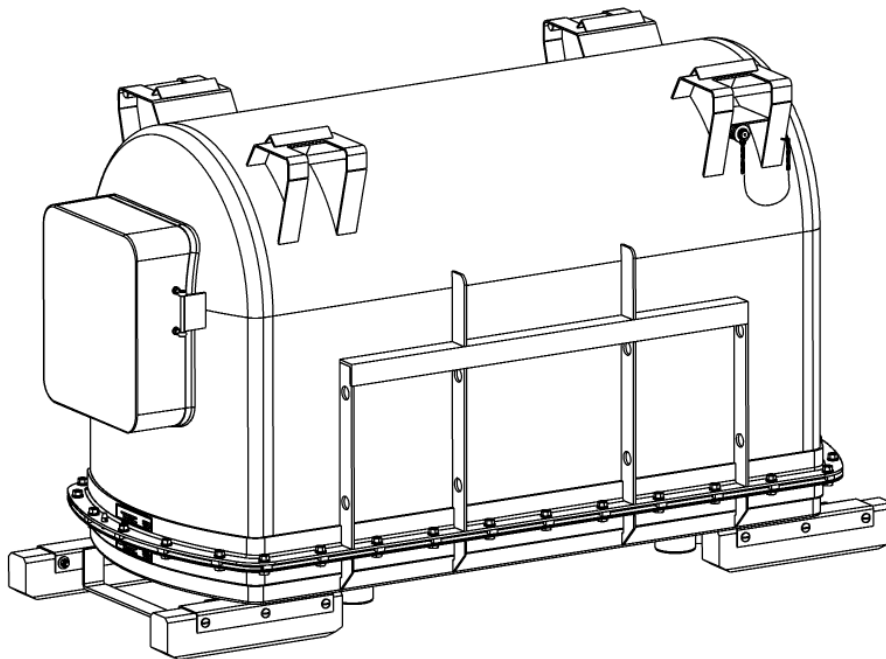
| TOOL | P/N | DESCRIPTION | QTY | | |
|---------|------------|-----------------|-----|--------|------|
| | | | | OT No. | Ind. |
| 80 0150 | TM2812G001 | HOISTING SLING | 1 | | |
| 80 0150 | TM2812P001 | . HOISTING BEAM | 3 | | |
| 80 0150 | TM2812P002 | . ARM | 1 | | |
| 80 0150 | TM2812P003 | . SLING | 2 | | |

- ITEM NOT ILLUSTRATED

NP NON PROCURABLE

8819212000

Description: BARE METALLIC CONTAINER



SAFRAN HELICOPTER ENGINES

ARRIUS 2 F

MAINTENANCE TOOLS CATALOG

| <i>Description</i> | <i>Part Number</i> |
|-------------------------|--------------------|
| BARE METALLIC CONTAINER | 8819212000 |

| |
|------------------------------------|
| <i>This tool replaces the tool</i> |
|------------------------------------|

| <i>Supply code</i> | <i>Calibration frequency</i> | <i>Functional criteria check</i> |
|--------------------|------------------------------|----------------------------------|
| 3 - 2 | N/A | N/A |

| | |
|------------|---|
| Use | Container that enables the engine to be conveyed. |
|------------|---|

| | |
|--------------------------|--|
| Use particularity | |
|--------------------------|--|

| <i>Alternate</i> | <i>Part Number</i> | <i>Description</i> |
|------------------|--------------------|--------------------|
| | | |

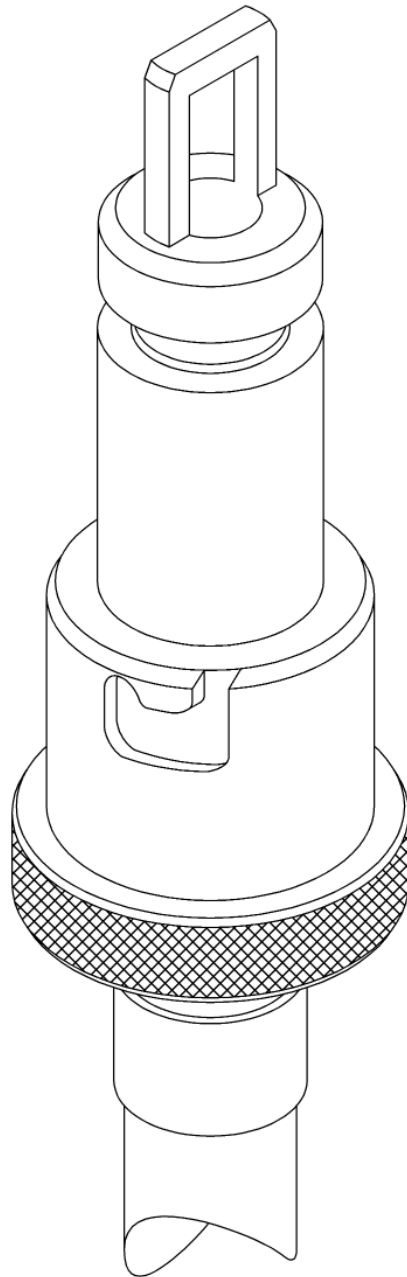
| | TOOL | | | P/N | DESCRIPTION | QTY |
|---|---------|------|------|------------|-------------------------------|-----|
| | OT No. | Ind. | Ind. | | | |
| | 80 0180 | | | 8819212000 | BARE METALLIC CONTAINER | 1 |
| - | 80 0180 | A | | 8819212020 | . PACKING, PREFORMED | 1 |
| - | 80 0180 | A | 1 | 9610053120 | . . PRESSURE RELIEF VALVE ¼ G | 1 |
| - | 80 0180 | A | 2 | 9610053100 | . . VALVE | 1 |
| - | 80 0180 | A | 3 | 9610053130 | . . HUMIDITY INDICATOR | 1 |

- ITEM NOT ILLUSTRATED

NP NON PROCURABLE

8818174000

Description: DRAINING DEVICE



SAFRAN HELICOPTER ENGINES

ARRIUS 2 F

MAINTENANCE TOOLS CATALOG

| <i>Description</i> | <i>Part Number</i> |
|------------------------|--------------------|
| DRAINING DEVICE | 8818174000 |

| |
|------------------------------------|
| <i>This tool replaces the tool</i> |
|------------------------------------|

| <i>Supply code</i> | <i>Calibration frequency</i> | <i>Functional criteria check</i> |
|--------------------|------------------------------|----------------------------------|
| 3 - 2 | N/A | N/A |

| <i>Use</i> | Device use to drain the engine through the front magnetic plug (pre TF 34A) |
|------------|---|
|------------|---|

| <i>Use particularity</i> | |
|--------------------------|--|
|--------------------------|--|

| <i>Alternate</i> | <i>Part Number</i> | <i>Description</i> |
|------------------|--------------------|--------------------|
| | | |

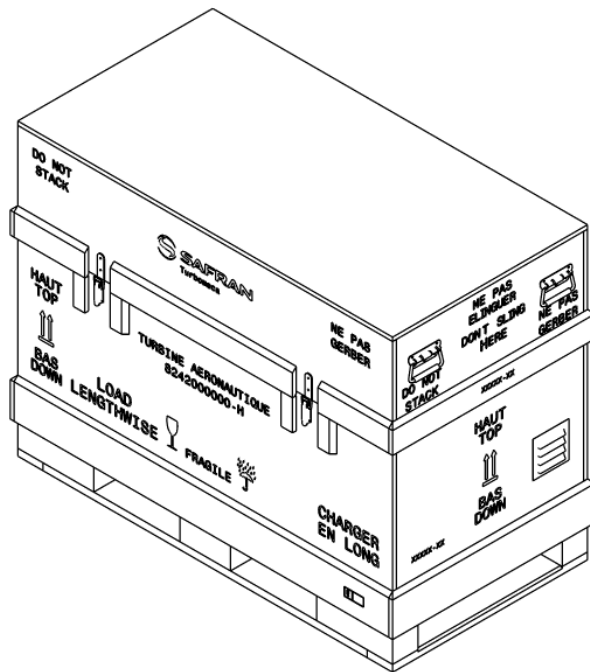
| | TOOL | | | P/N | DESCRIPTION | QTY |
|---|---------|------|------|------------|-----------------|-----|
| | OT No. | Ind. | Ind. | | | |
| I | 80 0190 | | | 8818174000 | DRAINING DEVICE | 1 |

- ITEM NOT ILLUSTRATED

NP NON PROCURABLE

8242000000

Description: SHIPMENT CONTAINER



SAFRAN HELICOPTER ENGINES

ARRIUS 2 F

MAINTENANCE TOOLS CATALOG

| | |
|--------------------|--------------------|
| <i>Description</i> | <i>Part Number</i> |
| SHIPMENT CONTAINER | 8242000000 |

| |
|------------------------------------|
| <i>This tool replaces the tool</i> |
|------------------------------------|

| | | |
|--------------------|------------------------------|----------------------------------|
| <i>Supply code</i> | <i>Calibration frequency</i> | <i>Functional criteria check</i> |
| 3 - 2 | N/A | N/A |

| | |
|------------|--|
| <i>Use</i> | |
|------------|--|

| | |
|--------------------------|--|
| <i>Use particularity</i> | |
|--------------------------|--|

| | | |
|------------------|--------------------|--------------------|
| <i>Alternate</i> | <i>Part Number</i> | <i>Description</i> |
| | | |

| TOOL | | | | P/N | DESCRIPTION | QTY |
|---------|------|------|------------|--------------------|-------------|-----|
| OT No. | Ind. | Ind. | | 1 2 3 | | |
| 80 0230 | | | 8242000000 | SHIPMENT CONTAINER | | 1 |

- ITEM NOT ILLUSTRATED

NP NON PROCURABLE

| | |
|-------------------|--------------------------------------|
| TM1646G001 | <i>Description: PLUG, AIR INTAKE</i> |
|-------------------|--------------------------------------|

NON ILLUSTRATED TOOL

SAFRAN HELICOPTER ENGINES

ARRIUS 2 F

MAINTENANCE TOOLS CATALOG

| | |
|-------------------------|--------------------|
| <i>Description</i> | <i>Part Number</i> |
| PLUG, AIR INTAKE | TM1646G001 |

| |
|------------------------------------|
| <i>This tool replaces the tool</i> |
|------------------------------------|

| | | |
|--------------------|------------------------------|----------------------------------|
| <i>Supply code</i> | <i>Calibration frequency</i> | <i>Functional criteria check</i> |
| 3 - 2 | N/A | N/A |

| | |
|------------|--|
| <i>Use</i> | |
|------------|--|

| | |
|--------------------------|--|
| <i>Use particularity</i> | |
|--------------------------|--|

| | | |
|------------------|--------------------|--------------------|
| <i>Alternate</i> | <i>Part Number</i> | <i>Description</i> |
| | | |

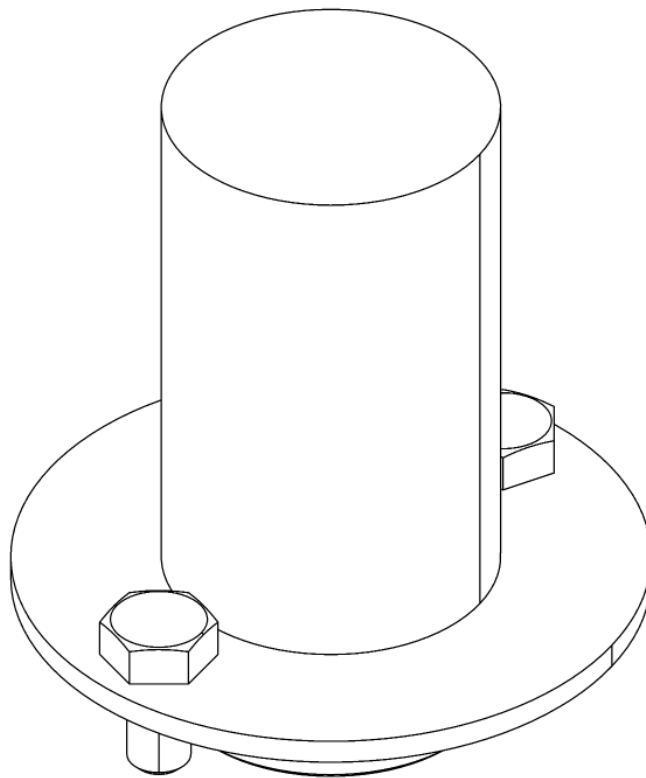
| | TOOL | | | P/N | DESCRIPTION | QTY |
|---|---------|------|------|------------|------------------|-----|
| | OT No. | Ind. | Ind. | | | |
| - | 80 0240 | | | TM1646G001 | PLUG, AIR INTAKE | 1 |

- ITEM NOT ILLUSTRATED

NP NON PROCURABLE

TM5216G001

Description: PLUG



SAFRAN HELICOPTER ENGINES

ARRIUS 2 F

MAINTENANCE TOOLS CATALOG

| <i>Description</i> | <i>Part Number</i> |
|--------------------|--------------------|
| PLUG | TM5216G001 |

| |
|------------------------------------|
| <i>This tool replaces the tool</i> |
|------------------------------------|

| <i>Supply code</i> | <i>Calibration frequency</i> | <i>Functional criteria check</i> |
|--------------------|------------------------------|----------------------------------|
| 3 - 2 | N/A | N/A |

| <i>Use</i> | |
|------------|--|
|------------|--|

| <i>Use particularity</i> | |
|--------------------------|--|
|--------------------------|--|

| <i>Alternate</i> | <i>Part Number</i> | <i>Description</i> |
|------------------|--------------------|--------------------|
| | | |

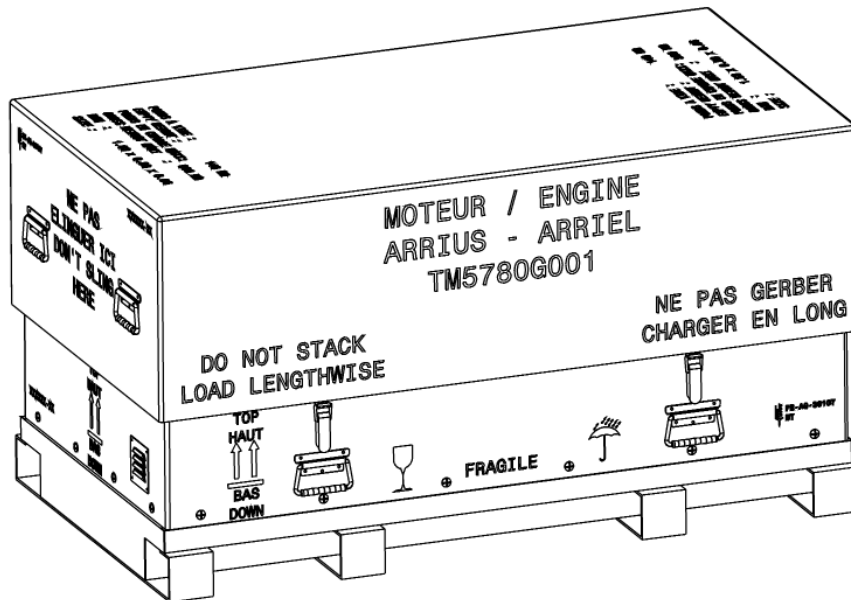
| | TOOL | | | P/N | DESCRIPTION | QTY |
|---|---------|------|------|------------|-------------|-----|
| | OT No. | Ind. | Ind. | | | |
| I | 80 0280 | | | TM5216G001 | PLUG | 1 |

- ITEM NOT ILLUSTRATED

NP NON PROCURABLE

TM5780G001

Description: ENGINE CONTAINER



SAFRAN HELICOPTER ENGINES

ARRIUS 2 F

MAINTENANCE TOOLS CATALOG

| <i>Description</i> | <i>Part Number</i> |
|--------------------|--------------------|
| ENGINE CONTAINER | TM5780G001 |

| |
|------------------------------------|
| <i>This tool replaces the tool</i> |
|------------------------------------|

| <i>Supply code</i> | <i>Calibration frequency</i> | <i>Functional criteria check</i> |
|--------------------|------------------------------|----------------------------------|
| 3 - 2 | N/A | N/A |

| | |
|------------|--|
| <i>Use</i> | |
|------------|--|

| | |
|--------------------------|--|
| <i>Use particularity</i> | |
|--------------------------|--|

| <i>Alternate</i> | <i>Part Number</i> | <i>Description</i> |
|------------------|--------------------|--------------------|
| | | |

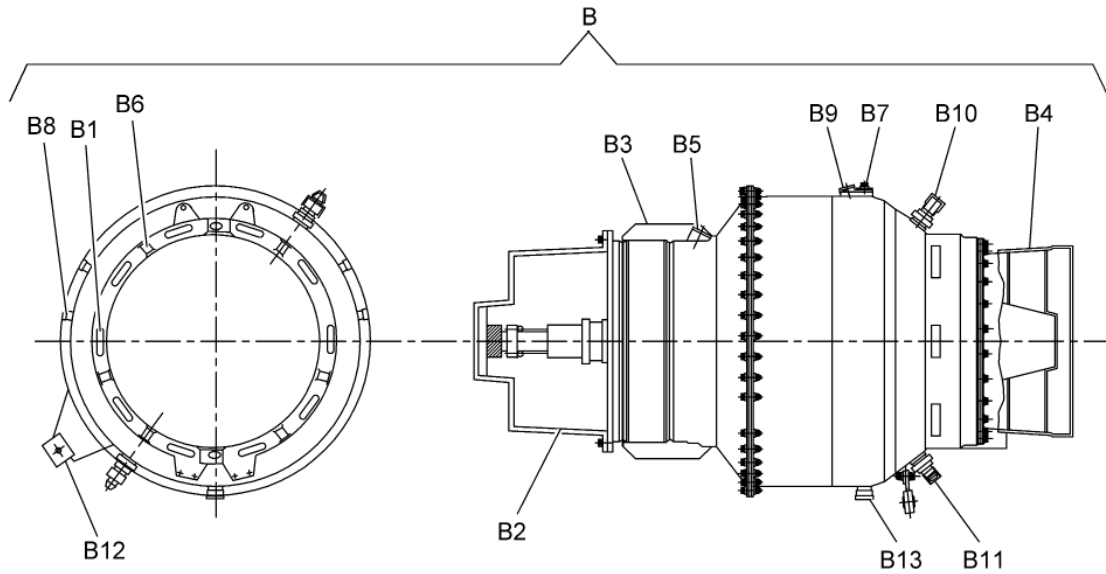
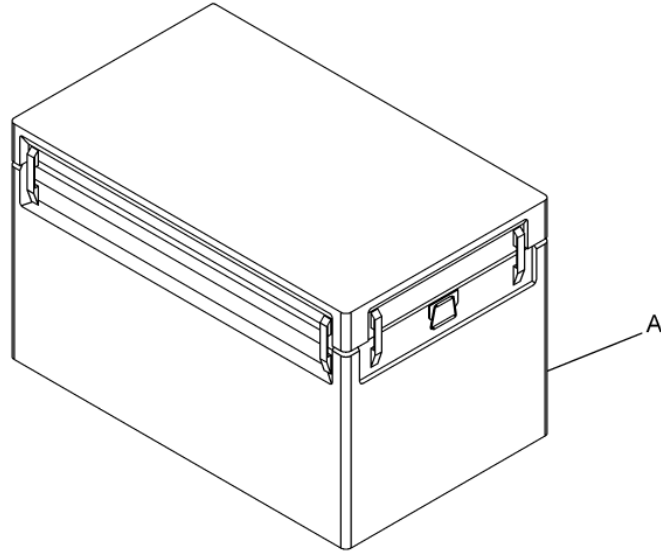
| TOOL | | | | P/N | DESCRIPTION | QTY |
|---------|------|------|------------|------------------|-------------|-----|
| OT No. | Ind. | Ind. | | 1 2 3 | | |
| 80 3010 | | | TM5780G001 | ENGINE CONTAINER | | 1 |

- ITEM NOT ILLUSTRATED

NP NON PROCURABLE

TM0582G001

Description: CONTAINER, GAS GENERATOR



SAFRAN HELICOPTER ENGINES

ARRIUS 2 F

MAINTENANCE TOOLS CATALOG

| | | |
|------------------------------------|---|----------------------------------|
| <i>Description</i> | | <i>Part Number</i> |
| CONTAINER, GAS GENERATOR | | TM0582G001 |
| <i>This tool replaces the tool</i> | | |
| <i>Supply code</i> | <i>Calibration frequency</i> | <i>Functional criteria check</i> |
| 3 - 2 | N/A | N/A |
| <i>Use</i> | Laminated container (C2R type) used to transport and store the gas generator (Module 02). | |
| <i>Use particularity</i> | Other plugs references can be used in alternative. | |
| <i>Alternate</i> | <i>Part Number</i> | <i>Description</i> |
| | 8818620000 | CONTAINER, GAS GENERATOR |

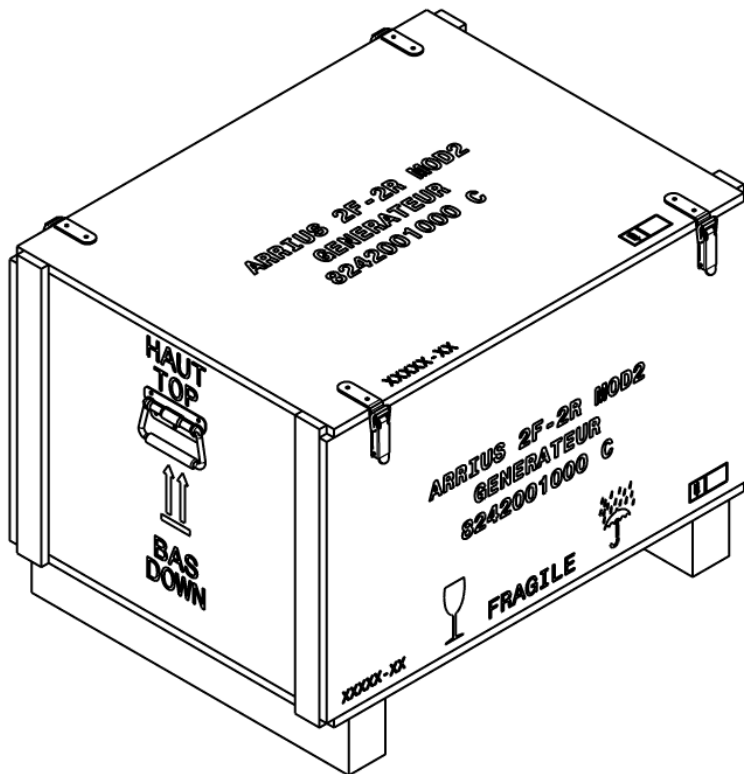
| TOOL | | | | P/N | DESCRIPTION | QTY |
|---------|------|------|--|------------|---------------------------------|-----|
| OT No. | Ind. | Ind. | | 1 2 3 | | |
| 80 3030 | | | | TM0582G001 | CONTAINER, GAS GENERATOR | 1 |
| 80 3030 | A | | | TM0582P001 | . BARE CONTAINER, GAS GENERATOR | 1 |
| 80 3030 | B | | | TM0714G001 | . PLUGS, KIT | 1 |
| 80 3030 | B | 1 | | TM4577G001 | . . PLUG, INJECTOR | 10 |
| 80 3030 | B | 2 | | 8818656000 | . . SHIPPING PROTECTOR | 1 |
| 80 3030 | B | 3 | | TM1646G001 | . . PLUG, AIR INTAKE | 1 |
| 80 3030 | B | 4 | | 8818658000 | . . PLUG, EXHAUST CONE | 1 |
| 80 3030 | B | 5 | | TM4586G001 | . . PLUG, OIL | 5 |
| 80 3030 | B | 6 | | TM4587G001 | . . PLUG, THERMOCOUPLE | 6 |
| 80 3030 | B | 7 | | TM4578G001 | . . PLUG | 2 |
| 80 3030 | B | 8 | | TM4574G001 | . . PLUG | 2 |
| 80 3030 | B | 9 | | 8816389000 | . . PLUG | 2 |
| 80 3030 | B | 10 | | 9789161500 | . . PLUG | 1 |
| 80 3030 | B | 11 | | 9789141500 | . . PLUG | 2 |
| 80 3030 | B | 12 | | 9789400120 | . . PLUG | 1 |
| 80 3030 | B | 13 | | TM4575G001 | . . PLUG | 3 |

- ITEM NOT ILLUSTRATED

NP NON PROCURABLE

8242001000

Description: SHIPMENT BOX



SAFRAN HELICOPTER ENGINES

ARRIUS 2 F

MAINTENANCE TOOLS CATALOG

| <i>Description</i> | <i>Part Number</i> |
|--------------------|--------------------|
| SHIPMENT BOX | 8242001000 |

| |
|------------------------------------|
| <i>This tool replaces the tool</i> |
|------------------------------------|

| <i>Supply code</i> | <i>Calibration frequency</i> | <i>Functional criteria check</i> |
|--------------------|------------------------------|----------------------------------|
| 3 - 2 | N/A | N/A |

| <i>Use</i> | |
|------------|--|
|------------|--|

| <i>Use particularity</i> | The alternative 8242000300 is specific to the B1-B1A-B2 effectivities and the 8242000320 to G1-K1-K2 effectivities. |
|--------------------------|---|
|--------------------------|---|

| <i>Alternate</i> | <i>Part Number</i> | <i>Description</i> |
|------------------|------------------------|--------------------|
| | 8242000300, 8242000320 | SHIPMENT BOX |

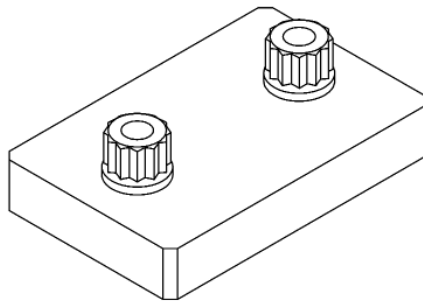
| | TOOL | | | P/N | DESCRIPTION | QTY |
|---|---------|------|------|------------|--------------|-----|
| | OT No. | Ind. | Ind. | | | |
| I | 80 3140 | | | 8242001000 | SHIPMENT BOX | 1 |

- ITEM NOT ILLUSTRATED

NP NON PROCURABLE

8816389000

Description: PLUG



SAFRAN HELICOPTER ENGINES

ARRIUS 2 F

MAINTENANCE TOOLS CATALOG

| | |
|--------------------|--------------------|
| <i>Description</i> | <i>Part Number</i> |
| PLUG | 8816389000 |

| |
|------------------------------------|
| <i>This tool replaces the tool</i> |
|------------------------------------|

| | | |
|--------------------|------------------------------|----------------------------------|
| <i>Supply code</i> | <i>Calibration frequency</i> | <i>Functional criteria check</i> |
| 3 - 2 | N/A | N/A |

| | |
|------------|--|
| <i>Use</i> | |
|------------|--|

| | |
|--------------------------|--|
| <i>Use particularity</i> | |
|--------------------------|--|

| | | |
|------------------|--------------------|--------------------|
| <i>Alternate</i> | <i>Part Number</i> | <i>Description</i> |
| | | |

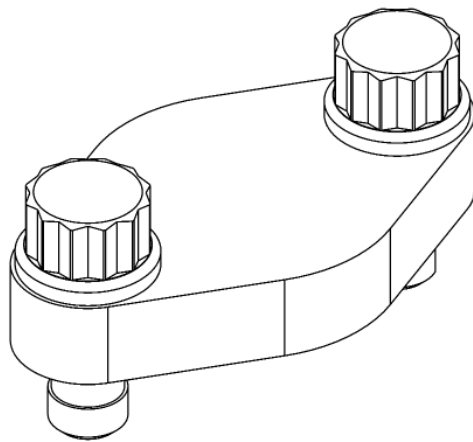
| | TOOL | | | P/N | DESCRIPTION | QTY |
|---|---------|------|------|------------|-------------|-----|
| | OT No. | Ind. | Ind. | | | |
| 1 | 80 3160 | | | 8816389000 | PLUG | 2 |

- ITEM NOT ILLUSTRATED

NP NON PROCURABLE

TM4574G001

Description: PLUG



SAFRAN HELICOPTER ENGINES

ARRIUS 2 F

MAINTENANCE TOOLS CATALOG

| | |
|--------------------|--------------------|
| <i>Description</i> | <i>Part Number</i> |
| PLUG | TM4574G001 |

| |
|------------------------------------|
| <i>This tool replaces the tool</i> |
|------------------------------------|

| | | |
|--------------------|------------------------------|----------------------------------|
| <i>Supply code</i> | <i>Calibration frequency</i> | <i>Functional criteria check</i> |
| 3 - 2 | N/A | N/A |

| | |
|------------|--|
| <i>Use</i> | |
|------------|--|

| | |
|--------------------------|--|
| <i>Use particularity</i> | |
|--------------------------|--|

| | | |
|------------------|--------------------|--------------------|
| <i>Alternate</i> | <i>Part Number</i> | <i>Description</i> |
| | 8816436000 | PLUG |

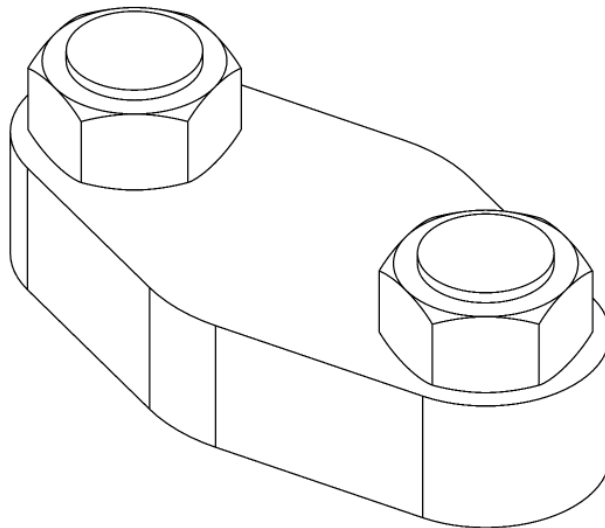
| | TOOL | | | P/N | DESCRIPTION | QTY |
|---|---------|------|------|------------|---------------|-----|
| | OT No. | Ind. | Ind. | | | |
| 1 | 80 3170 | | | TM4574G001 | 1 2 3 PLUG | 1 |

- ITEM NOT ILLUSTRATED

NP NON PROCURABLE

TM4577G001

Description: PLUG



SAFRAN HELICOPTER ENGINES

ARRIUS 2 F

MAINTENANCE TOOLS CATALOG

| | |
|--------------------|--------------------|
| <i>Description</i> | <i>Part Number</i> |
| PLUG | TM4577G001 |

| |
|------------------------------------|
| <i>This tool replaces the tool</i> |
|------------------------------------|

| | | |
|--------------------|------------------------------|----------------------------------|
| <i>Supply code</i> | <i>Calibration frequency</i> | <i>Functional criteria check</i> |
| 3 - 2 | N/A | N/A |

| | |
|------------|--|
| <i>Use</i> | |
|------------|--|

| | |
|--------------------------|--|
| <i>Use particularity</i> | |
|--------------------------|--|

| | | |
|------------------|--------------------|--------------------|
| <i>Alternate</i> | <i>Part Number</i> | <i>Description</i> |
| | TM5542G001 | PLUG |

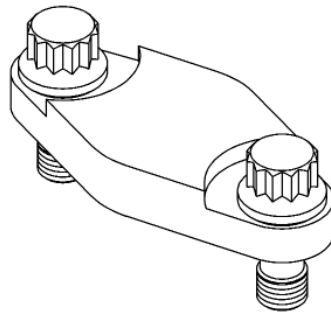
| | TOOL | | | P/N | DESCRIPTION | QTY |
|---|---------|------|------|------------|-------------|-----|
| | OT No. | Ind. | Ind. | | | |
| 1 | 80 3240 | | | TM4577G001 | PLUG | 10 |

- ITEM NOT ILLUSTRATED

NP NON PROCURABLE

TM4578G001

Description: PLUG



SAFRAN HELICOPTER ENGINES

ARRIUS 2 F

MAINTENANCE TOOLS CATALOG

| <i>Description</i> | <i>Part Number</i> |
|--------------------|--------------------|
| PLUG | TM4578G001 |

| |
|------------------------------------|
| <i>This tool replaces the tool</i> |
|------------------------------------|

| <i>Supply code</i> | <i>Calibration frequency</i> | <i>Functional criteria check</i> |
|--------------------|------------------------------|----------------------------------|
| 3 - 2 | N/A | N/A |

| | |
|------------|--|
| <i>Use</i> | |
|------------|--|

| | |
|--------------------------|--|
| <i>Use particularity</i> | |
|--------------------------|--|

| <i>Alternate</i> | <i>Part Number</i> | <i>Description</i> |
|------------------|--------------------|--------------------|
| | | |

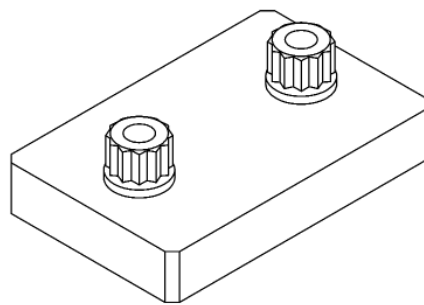
| | TOOL | | | P/N | DESCRIPTION | QTY |
|---|---------|------|------|------------|-------------|-----|
| | OT No. | Ind. | Ind. | | | |
| 1 | 80 3250 | | | TM4578G001 | PLUG | 2 |

- ITEM NOT ILLUSTRATED

NP NON PROCURABLE

TM4586G001

Description: PLUG, OIL



SAFRAN HELICOPTER ENGINES

ARRIUS 2 F

MAINTENANCE TOOLS CATALOG

| <i>Description</i> | <i>Part Number</i> |
|--------------------|--------------------|
| PLUG, OIL | TM4586G001 |

| |
|------------------------------------|
| <i>This tool replaces the tool</i> |
|------------------------------------|

| <i>Supply code</i> | <i>Calibration frequency</i> | <i>Functional criteria check</i> |
|--------------------|------------------------------|----------------------------------|
| 3 - 2 | N/A | N/A |

| <i>Use</i> | |
|------------|--|
|------------|--|

| <i>Use particularity</i> | |
|--------------------------|--|
|--------------------------|--|

| <i>Alternate</i> | <i>Part Number</i> | <i>Description</i> |
|------------------|--------------------|--------------------|
| | | |

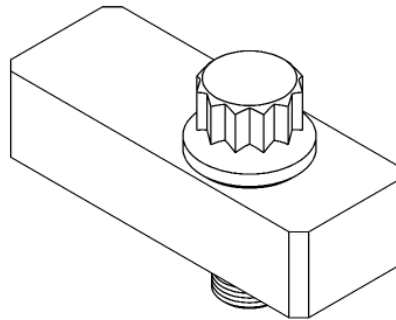
| | TOOL | | | P/N | DESCRIPTION | QTY |
|---|---------|------|------|------------|-------------|-----|
| | OT No. | Ind. | Ind. | | | |
| I | 80 3270 | | | TM4586G001 | PLUG, OIL | 4 |

- ITEM NOT ILLUSTRATED

NP NON PROCURABLE

TM4587G001

Description: PLUG, THERMOCOUPLE



SAFRAN HELICOPTER ENGINES

ARRIUS 2 F

MAINTENANCE TOOLS CATALOG

| | |
|--------------------|--------------------|
| <i>Description</i> | <i>Part Number</i> |
| PLUG, THERMOCOUPLE | TM4587G001 |

| |
|------------------------------------|
| <i>This tool replaces the tool</i> |
|------------------------------------|

| | | |
|--------------------|------------------------------|----------------------------------|
| <i>Supply code</i> | <i>Calibration frequency</i> | <i>Functional criteria check</i> |
| 3 - 2 | N/A | N/A |

| | |
|------------|--|
| <i>Use</i> | |
|------------|--|

| | |
|--------------------------|--|
| <i>Use particularity</i> | |
|--------------------------|--|

| | | |
|------------------|--------------------|--------------------|
| <i>Alternate</i> | <i>Part Number</i> | <i>Description</i> |
| | | |

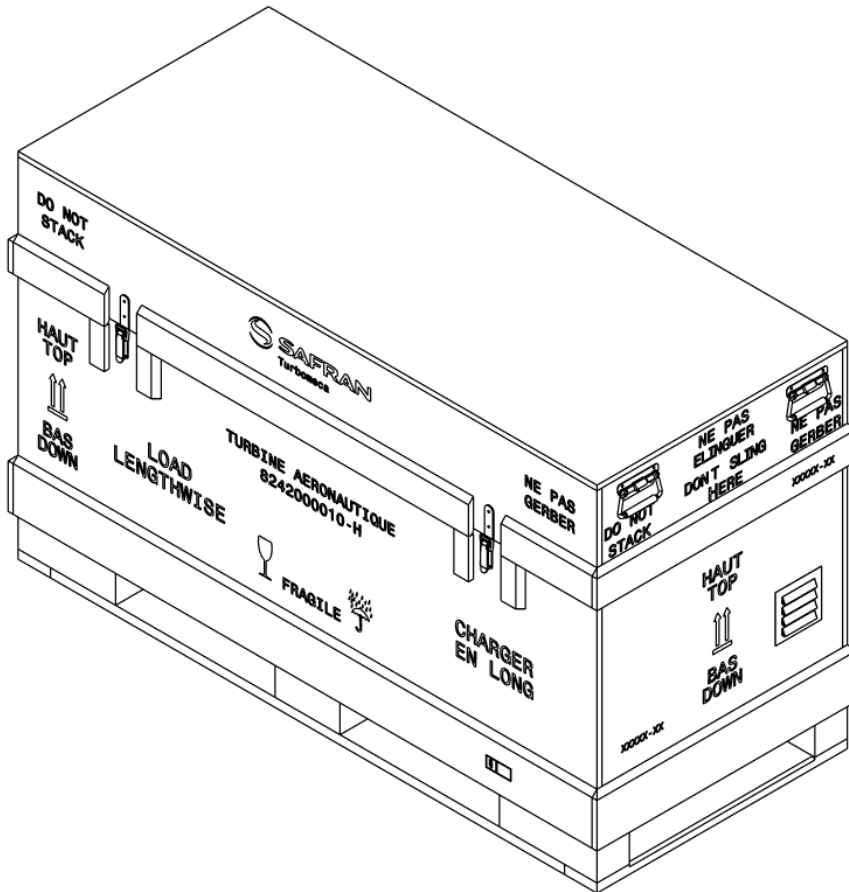
| | TOOL | | | P/N | DESCRIPTION | QTY |
|--|---------|------|------|------------|--------------------|-----|
| | OT No. | Ind. | Ind. | | | |
| | 80 3280 | | | TM4587G001 | PLUG, THERMOCOUPLE | 4 |

- ITEM NOT ILLUSTRATED

NP NON PROCURABLE

8242000010

Description: SHIPMENT CONTAINER



SAFRAN HELICOPTER ENGINES

ARRIUS 2 F

MAINTENANCE TOOLS CATALOG

| | |
|--------------------|--------------------|
| <i>Description</i> | <i>Part Number</i> |
| SHIPMENT CONTAINER | 8242000010 |

| |
|------------------------------------|
| <i>This tool replaces the tool</i> |
|------------------------------------|

| | | |
|--------------------|------------------------------|----------------------------------|
| <i>Supply code</i> | <i>Calibration frequency</i> | <i>Functional criteria check</i> |
| 3 - 2 | N/A | N/A |

| | |
|------------|--|
| <i>Use</i> | |
|------------|--|

| | |
|--------------------------|--|
| <i>Use particularity</i> | |
|--------------------------|--|

| | | |
|------------------|--------------------|--------------------|
| <i>Alternate</i> | <i>Part Number</i> | <i>Description</i> |
| | | |

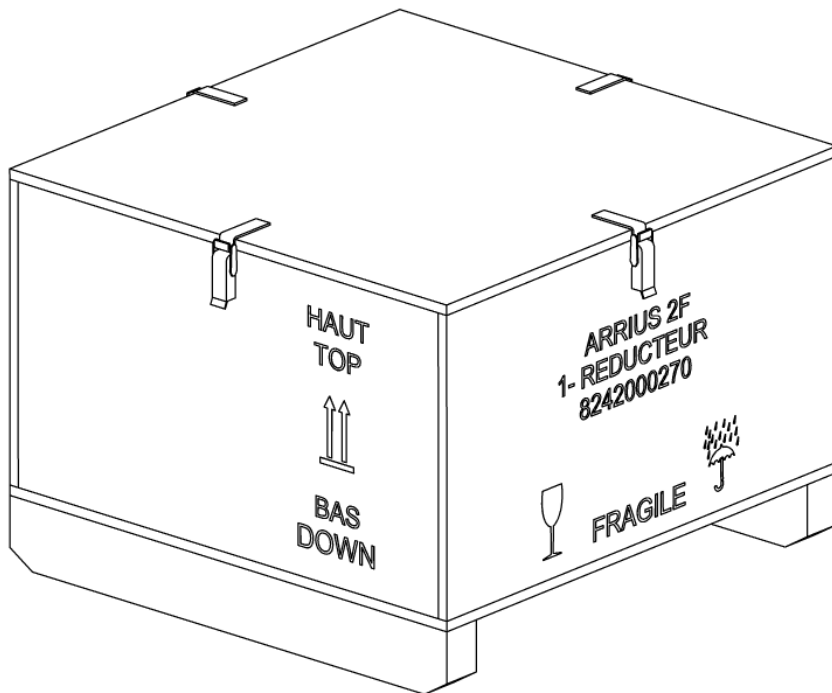
| TOOL | | | | P/N | DESCRIPTION | QTY |
|---------|------|------|------------|--------------------|-------------|-----|
| OT No. | Ind. | Ind. | | 1 2 3 | | |
| 80 3370 | | | 8242000010 | SHIPMENT CONTAINER | | 1 |

- ITEM NOT ILLUSTRATED

NP NON PROCURABLE

8242000270

Description: SHIPMENT CONTAINER MODULE 1



SAFRAN HELICOPTER ENGINES

ARRIUS 2 F

MAINTENANCE TOOLS CATALOG

| <i>Description</i> | <i>Part Number</i> |
|-----------------------------|--------------------|
| SHIPMENT CONTAINER MODULE 1 | 8242000270 |

| |
|------------------------------------|
| <i>This tool replaces the tool</i> |
|------------------------------------|

| <i>Supply code</i> | <i>Calibration frequency</i> | <i>Functional criteria check</i> |
|--------------------|------------------------------|----------------------------------|
| 3 - 2 | N/A | N/A |

| | |
|------------|--|
| <i>Use</i> | |
|------------|--|

| | |
|--------------------------|--|
| <i>Use particularity</i> | |
|--------------------------|--|

| <i>Alternate</i> | <i>Part Number</i> | <i>Description</i> |
|------------------|--------------------|--------------------|
| | | |

| | TOOL | | | P/N | DESCRIPTION | QTY |
|--|---------|------|------|------------|-----------------------------|-----|
| | OT No. | Ind. | Ind. | | | |
| | 80 3390 | | | 8242000270 | SHIPMENT CONTAINER MODULE 1 | 1 |

- ITEM NOT ILLUSTRATED

NP NON PROCURABLE

| | |
|------------|--------------------------|
| 9789161500 | <i>Description: PLUG</i> |
|------------|--------------------------|

NON ILLUSTRATED TOOL

TURBOMECA ARRIUS 2 F

| <i>Description</i> | <i>Part Number</i> |
|--------------------|--------------------|
| PLUG | 9789161500 |

| |
|------------------------------------|
| <i>This tool replaces the tool</i> |
|------------------------------------|

| <i>Supply code</i> | <i>Calibration frequency</i> | <i>Functional criteria check</i> |
|--------------------|------------------------------|----------------------------------|
| 3 - 2 | N/A | N/A |

| <i>Use</i> | |
|------------|--|
|------------|--|

| <i>Use particularity</i> | |
|--------------------------|--|
|--------------------------|--|

| <i>Alternate</i> | <i>Part Number</i> | <i>Description</i> |
|------------------|--------------------|--------------------|
| | | |

| | TOOL | | | P/N | DESCRIPTION | QTY |
|-----|---------|------|------|------------|-------------|-----|
| | OT No. | Ind. | Ind. | | | |
| I - | 80 3440 | | | 9789161500 | PLUG | 1 |

- ITEM NOT ILLUSTRATED

NP NON PROCURABLE

TURBOMECA ARRIUS 2 F

MAINTENANCE TOOLS CATALOG

| | |
|-------------------|--------------------------|
| 9789400220 | <i>Description: PLUG</i> |
|-------------------|--------------------------|

NON ILLUSTRATED TOOL

SAFRAN HELICOPTER ENGINES

ARRIUS 2 F

MAINTENANCE TOOLS CATALOG

| | |
|--------------------|--------------------|
| <i>Description</i> | <i>Part Number</i> |
| PLUG | 9789400220 |

| |
|------------------------------------|
| <i>This tool replaces the tool</i> |
|------------------------------------|

| | | |
|--------------------|------------------------------|----------------------------------|
| <i>Supply code</i> | <i>Calibration frequency</i> | <i>Functional criteria check</i> |
| 3 - 2 | N/A | N/A |

| | |
|------------|--|
| <i>Use</i> | |
|------------|--|

| | |
|--------------------------|--|
| <i>Use particularity</i> | |
|--------------------------|--|

| | | |
|------------------|--------------------|--------------------|
| <i>Alternate</i> | <i>Part Number</i> | <i>Description</i> |
| | | |

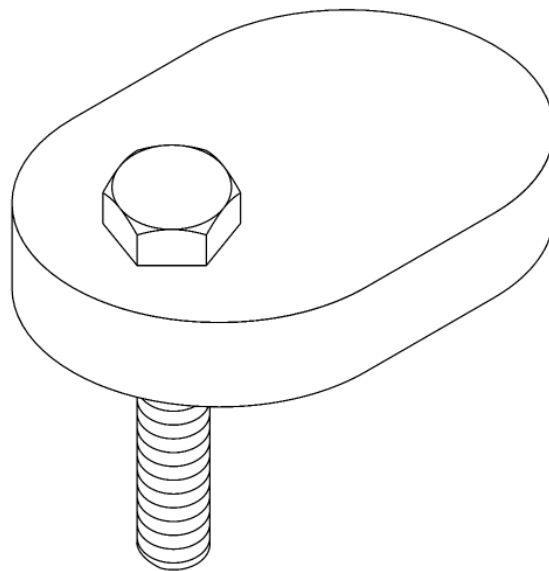
| | TOOL | | | P/N | DESCRIPTION | QTY |
|---|---------|------|------|------------|---------------|-----|
| | OT No. | Ind. | Ind. | | | |
| - | 80 3450 | | | 9789400220 | 1 2 3 PLUG | 1 |

- ITEM NOT ILLUSTRATED

NP NON PROCURABLE

TM0086G001

Description: PLUG



SAFRAN HELICOPTER ENGINES

ARRIUS 2 F

MAINTENANCE TOOLS CATALOG

| | |
|--------------------|--------------------|
| <i>Description</i> | <i>Part Number</i> |
| PLUG | TM0086G001 |

| |
|------------------------------------|
| <i>This tool replaces the tool</i> |
|------------------------------------|

| | | |
|--------------------|------------------------------|----------------------------------|
| <i>Supply code</i> | <i>Calibration frequency</i> | <i>Functional criteria check</i> |
| 3 - 2 | N/A | N/A |

| | |
|------------|--|
| <i>Use</i> | |
|------------|--|

| | |
|--------------------------|--|
| <i>Use particularity</i> | |
|--------------------------|--|

| | | |
|------------------|--------------------|--------------------|
| <i>Alternate</i> | <i>Part Number</i> | <i>Description</i> |
| | | |

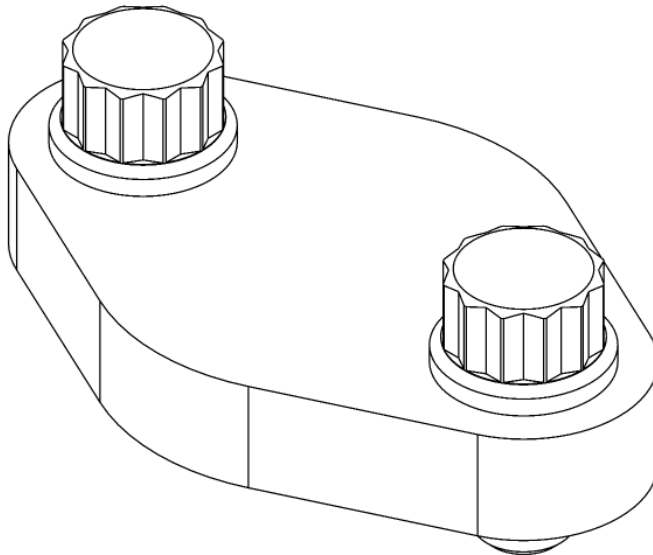
| | TOOL | | | P/N | DESCRIPTION | QTY |
|---|---------|------|------|------------|-------------|-----|
| | OT No. | Ind. | Ind. | | | |
| 1 | 80 3460 | | | TM0086G001 | PLUG | 1 |

- ITEM NOT ILLUSTRATED

NP NON PROCURABLE

TM4375G001

Description: PLUG



SAFRAN HELICOPTER ENGINES

ARRIUS 2 F

MAINTENANCE TOOLS CATALOG

| <i>Description</i> | <i>Part Number</i> |
|--------------------|--------------------|
| PLUG | TM4375G001 |

| |
|------------------------------------|
| <i>This tool replaces the tool</i> |
|------------------------------------|

| <i>Supply code</i> | <i>Calibration frequency</i> | <i>Functional criteria check</i> |
|--------------------|------------------------------|----------------------------------|
| 3 - 2 | N/A | N/A |

| | |
|------------|--|
| <i>Use</i> | |
|------------|--|

| | |
|--------------------------|--|
| <i>Use particularity</i> | |
|--------------------------|--|

| <i>Alternate</i> | <i>Part Number</i> | <i>Description</i> |
|------------------|--------------------|--------------------|
| | | |

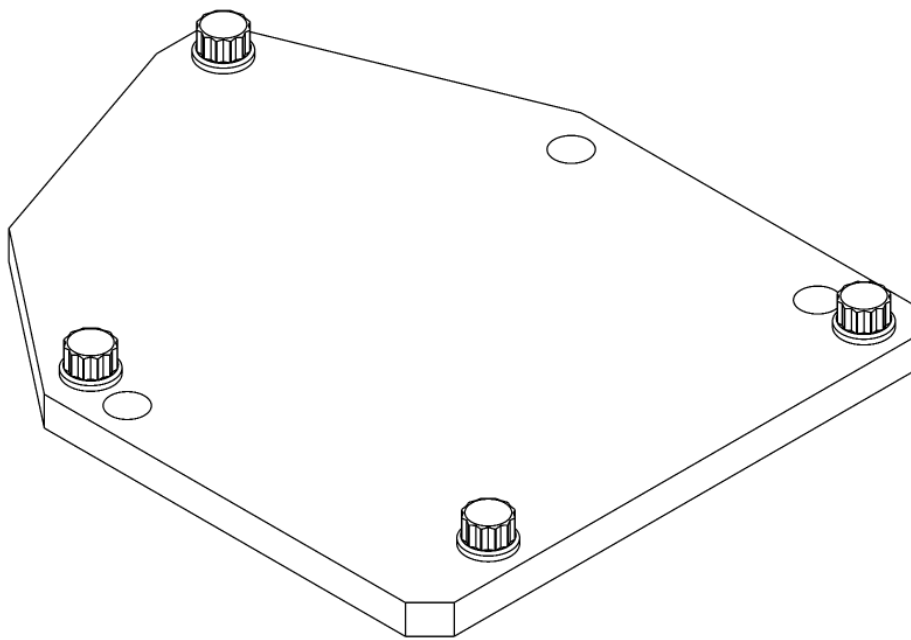
| | TOOL | | | P/N | DESCRIPTION | QTY |
|---|---------|------|------|------------|-------------|-----|
| | OT No. | Ind. | Ind. | | | |
| I | 80 3480 | | | TM4375G001 | PLUG | 1 |

- ITEM NOT ILLUSTRATED

NP NON PROCURABLE

TM4593G001

Description: PLUG



SAFRAN HELICOPTER ENGINES

ARRIUS 2 F

MAINTENANCE TOOLS CATALOG

| <i>Description</i> | <i>Part Number</i> |
|--------------------|--------------------|
| PLUG | TM4593G001 |

| |
|------------------------------------|
| <i>This tool replaces the tool</i> |
|------------------------------------|

| <i>Supply code</i> | <i>Calibration frequency</i> | <i>Functional criteria check</i> |
|--------------------|------------------------------|----------------------------------|
| 3 - 2 | N/A | N/A |

| | |
|------------|--|
| <i>Use</i> | |
|------------|--|

| | |
|--------------------------|--|
| <i>Use particularity</i> | |
|--------------------------|--|

| <i>Alternate</i> | <i>Part Number</i> | <i>Description</i> |
|------------------|--------------------|--------------------|
| | | |

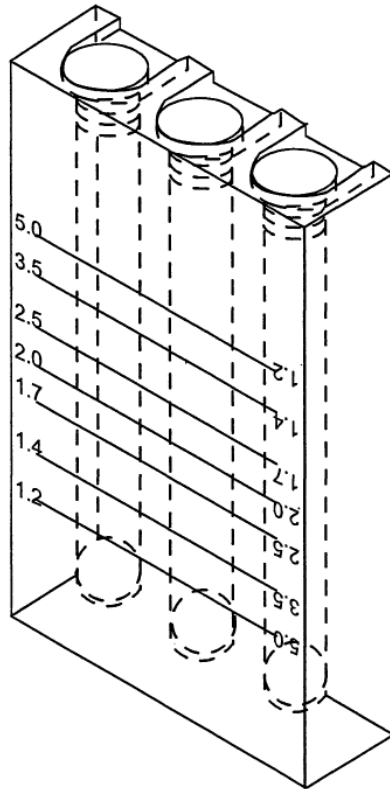
| | TOOL | | | P/N | DESCRIPTION | QTY |
|---|---------|------|------|------------|-------------|-----|
| | OT No. | Ind. | Ind. | | | |
| I | 80 3500 | | | TM4593G001 | PLUG | 1 |

- ITEM NOT ILLUSTRATED

NP NON PROCURABLE

8819252000

Description: VISCOMETER



TURBOMECA ARRIUS 2 F

MAINTENANCE TOOLS CATALOG

| | | |
|------------------------------------|------------------------------|----------------------------------|
| <i>Description</i> | | <i>Part Number</i> |
| VISCOMETER | | 8819252000 |
| <i>This tool replaces the tool</i> | | |
| <i>Supply code</i> | <i>Calibration frequency</i> | <i>Functional criteria check</i> |
| 3 - 2 | N/A | N/A |
| <i>Use</i> | | |
| <i>Use particularity</i> | | |
| <i>Alternate</i> | <i>Part Number</i> | <i>Description</i> |
| | | |

| TOOL | | | | P/N | DESCRIPTION | QTY |
|---------|------|------|------------|------------|-------------|-----|
| OT No. | Ind. | Ind. | | 1 2 3 | | |
| 90 0010 | | | 8819252000 | VISCOMETER | | 1 |

- ITEM NOT ILLUSTRATED

NP NON PROCURABLE

