

HELICOPTER ENGINES

TURBOSHAFT

ARRIEL 2

C2

**MAINTENANCE SPARE PARTS
CATALOG**

No. X 292 N6 700 2

Original issue: Aug. 30/2002

Update No. 50: Dec. 30/2023



64511 BORDES CEDEX - FRANCE - Tel.: +33 (0)5 59 12 50 00

www.safran-helicopter-engines.com

LETTER

This covering letter is not part of the MAINTENANCE SPARE PARTS CATALOG.
Do not keep it on the MAINTENANCE SPARE PARTS CATALOG.

Bordes, Dec. 30/2023

Dear Sir / Madam,

The *ARRIEL 2 C2 MAINTENANCE SPARE PARTS CATALOG No. X 292 N6 700 2* has been subject to normal update No. 50 on Dec. 30/2023.

A description of the update (description, pages to be removed or inserted) is provided below.

We remain at your disposal for any further information you may require. Very truly yours

Technical Publications

| Task Number | Description | Pages to be removed | Pages to be inserted |
|--|--------------------|----------------------------|-----------------------------|
| TITLE PAGE | Integration | ALL | 1 |
| LIST OF EFFECTIVE PRELIMINARY PAGES | Integration | ALL | 1 - 2 |
| LIST OF CHAPTERS BY CHAPTER NO. | Integration | ALL | 1 - 2 |
| LIST OF CHAPTERS BY TITLE | Integration | ALL | 1 - 2 |
| LAP - 00 | Integration | ALL | 1 to 2 |
| 00-00-40 - NUMERICAL INDEX OF SAFRAN HELICOPTER ENGINES PART NUMBERS | Integration | ALL | 1 to 18 |
| 00-00-41 - ALPHANUMERICAL INDEX OF MANUFACTURER PART NUMBERS | Integration | ALL | 1 to 10 |
| 00-00-42 - NUMERICAL INDEX OF NATO PART NUMBERS | Integration | ALL | 1 to 18 |
| 00-00-43 - LIST OF MANUFACTURER CODES | Integration | ALL | 1 to 4 |
| LAP - 72 | Integration | ALL | 1 to 4 |
| 72-32-10-02 | Integration | ALL | 0 to 1 |
| LAP - 73 | Integration | ALL | 1 to 2 |
| 73-23-08-01 | Integration | ALL | 0 to 5 |



COMPONENTS FROM AIRCRAFT INVOLVED IN ACCIDENTS

During an aircraft accident, the engine components can be subjected to damage which alters their resistance or performance characteristics. These components must be repaired by an approved entity or discarded.

In no cases, shall these components involved in accidents must be used again as is.

The use of an accidented component can affect the engine operation in flight.

RIGHTS OF USE

The information and data contained in this document, of whatsoever nature, notably intellectual, technical and in particular information that is or can be protected by Intellectual Property rights (such as given in the Intellectual Property Code), including particularly include the information related to know-how, manufacturing secrets, technical information, diagrams and drawings, are the sole property of Safran Helicopter Engines.

The information and data of this document are made available to the user with the sole purpose of allowing engine maintenance (maintenance and repair). The user undertakes not to use, copy, reproduce, duplicate, modify or disclose all or part of the information and data contained in this document for any purpose other than this one without the prior consent of Safran Helicopter Engines.

PAGE LEFT BLANK INTENTIONALLY

LIST OF EFFECTIVE PRELIMINARY PAGES

| <u>Title</u> | <u>Pages</u> | <u>Date</u> |
|-------------------------------------|--------------|--------------|
| TITLE PAGE | * 1 | Dec. 30/2023 |
| INFORMATION | 1 - 2 | Dec. 30/2019 |
| LIST OF EFFECTIVE PRELIMINARY PAGES | * 1 - 2 | Dec. 30/2023 |
| NORMAL UPDATE INCORPORATION SHEET | 1 - 2 | Nov. 30/2009 |
| LIST OF CHAPTERS BY CHAPTER NO. | * 1 - 2 | Dec. 30/2023 |
| LIST OF CHAPTERS BY TITLE | * 1 - 2 | Dec. 30/2023 |
| LIST OF CHAPTERS BY LOCATION | 1 - 6 | Nov. 30/2009 |

* Page modified following update No. 50

PAGE LEFT BLANK INTENTIONALLY

PAGE LEFT BLANK INTENTIONALLY

LIST OF CHAPTERS BY CHAPTER NO.

NOTE: Each chapter begins with a list of effective pages.

| Chapter No. | Title | Date | Update No. |
|-------------|-------------------|--------------|------------|
| 00 | INTRODUCTION | Dec. 30/2023 | 50 |
| 26 | FIRE PROTECTION | June 30/2018 | 39 |
| 71 | POWER PLANT | June 15/2022 | 47 |
| 72 | ENGINE | Dec. 30/2023 | 50 |
| 73 | FUEL | Dec. 30/2023 | 50 |
| 74 | IGNITION | June 15/2019 | 41 |
| 75 | AIR | Dec. 30/2021 | 46 |
| 77 | ENGINE INDICATING | June 15/2023 | 49 |
| 79 | OIL | June 15/2023 | 49 |

PAGE LEFT BLANK INTENTIONALLY

LIST OF CHAPTERS BY TITLE

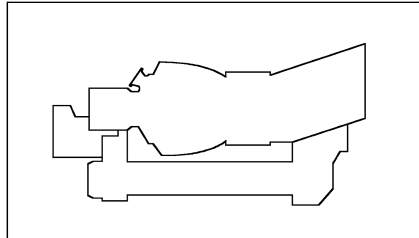
NOTE: Each chapter begins with a list of effective pages.

| Title | Chapter Section Subject |
|----------------------------|-------------------------------|
| ARRIEL 2C2 | 71-00-00 |
| BASE PLATE ASSY,FILTER | 72-61-40 |
| BLEED VALVE | 75-31-00 |
| BOX,CONFORMATION | 77-09-02 |
| BOX,IGNITION | 74-11-10 |
| BOX,JUNCTION,T4-5 MATCHING | 77-22-01 |
| CABLES,IGNITION | 74-24-10 |
| CASING ASSY,EQUIPPED | 72-32-10 |
| CASING ASSY,FRONT,EQUIPPED | 72-15-30 |
| CASING ASSY,REAR,EQUIPPED | 72-15-20 |
| CASINGS,ASSEMBLED | 72-61-50 |
| DETECTORS,FIRE | 26-11-00 |
| ELECTRIC HARNESSSES | 71-51-00 |
| ENGINE,UNDRESSED | 72-00-00 |
| GEARS | 72-61-30 |
| HARNESS,PYROMETRIC | 77-21-00 |
| HOISTING,ATTACHING | 71-21-00 |
| HP NGV-ROTATING ASSY | 72-43-30 |
| KIT, BLANKS | 71-91-00 |
| MODULE,ACCESSORY GEARBOX | 72-61-00 |
| MODULE,COMPRESSOR | 72-32-00 |
| MODULE,GAS GENERATOR | 72-43-00 |
| MODULE,POWER TURBINE | 72-54-00 |
| MODULE,REDUCTION GEAR | 72-15-00 |
| OIL PUMP | 79-24-00 |
| PIPE,EXHAUST | 72-70-00 |
| PIPES,AIR | 75-29-00 |
| PIPES,DRAIN | 71-71-00 |
| PIPES,FUEL | 73-19-00 |
| PIPES,OIL | 79-29-00 |
| PLUGS,ELECTRIC MAGNETIC | 79-38-00 |
| POWER SHAFT | 72-61-20 |
| PROTECTION,FIRE | 26-00-00 |

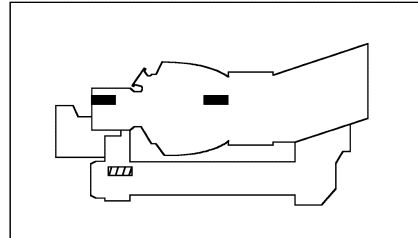
| <i>Title</i> | <i>Chapter Section Subject</i> |
|---------------------------------------|--|
| PUMP AND METERING VALVE ASSY,ADJUSTED | 73-23-00 |
| PUMP AND METERING VALVE ASSY,ADJUSTED | 73-23-08 |
| PUMP,OIL | 79-24-01 |
| REAR BEARING ASSY,DRESSED | 72-43-10 |
| SENSOR,N1 | 77-11-00 |
| SENSOR,N2 | 77-12-00 |
| SUPPORTS | 71-41-00 |
| SWITCH,LOW OIL PRESSURE | 79-31-00 |
| SYSTEM,AIR | 75-00-00 |
| SYSTEM,ENGINE INDICATING | 77-00-00 |
| SYSTEM,FUEL | 73-00-00 |
| SYSTEM,GENERAL | 71-01-00 |
| SYSTEM,IGNITION | 74-00-00 |
| SYSTEM,OIL | 79-00-00 |
| TRANSMITTER,P3 PRESSURE | 75-41-00 |
| TUBE,JUNCTION | 72-61-10 |
| VALVE ASSY | 79-25-00 |
| VALVE ASSY | 79-25-01 |
| VALVE ASSY,ADJUSTED | 73-14-00 |
| VALVE ASSY,ADJUSTED | 73-14-01 |
| VALVE ASSY,DRAIN | 71-71-01 |

LIST OF CHAPTERS BY LOCATION

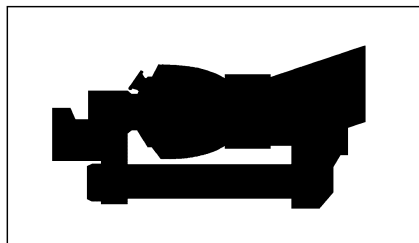
NOTE: Each chapter begins with a list of effective pages.



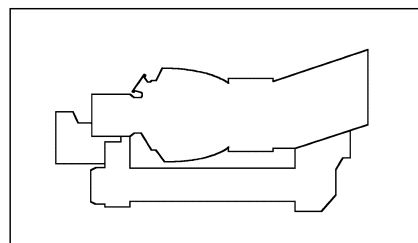
PROTECTION, FIRE 26-00-00



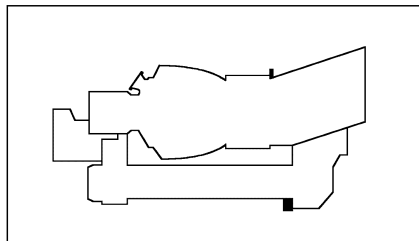
DETECTOR, FIRE 26-10-00



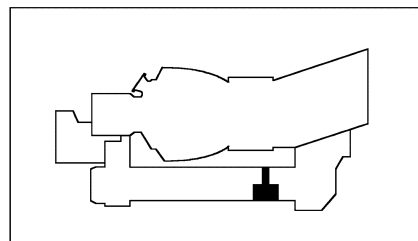
ENGINE, DRESSED 71-00-00



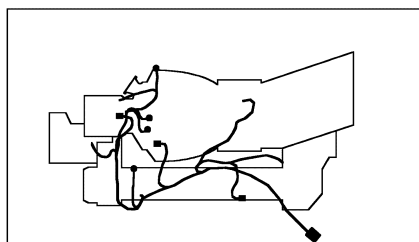
SYSTEM, GENERAL 71-01-00



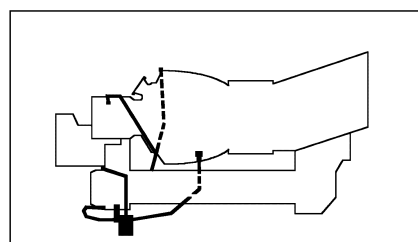
HOISTING - ATTACHING 71-21-00



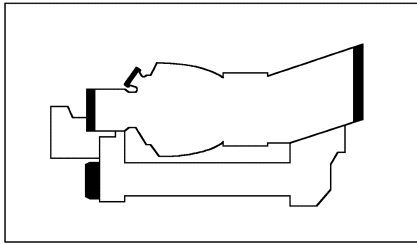
SUPPORTS 71-41-00



HARNESSES 71-51-00

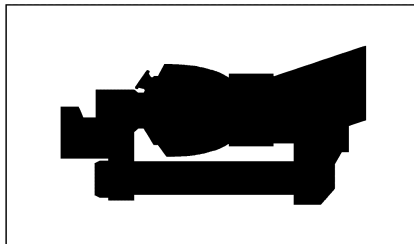


DRAINING 71-71-00



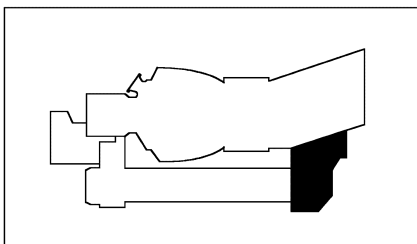
BLANKS

71-91-00



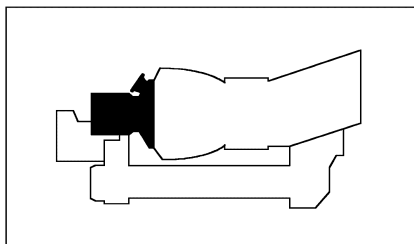
ENGINE, UNDRESSED

72-00-00



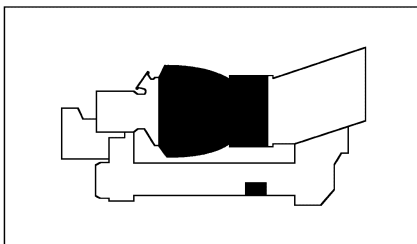
MODULE,
REDUCTION GEAR

72-15-00



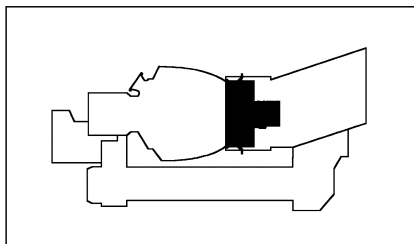
MODULE, COMPRESSOR

72-32-00



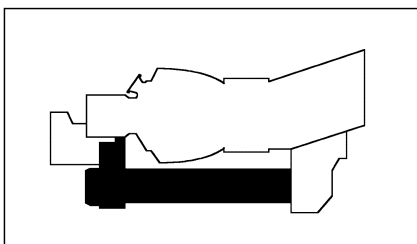
MODULE,
GAS GENERATOR

72-43-00



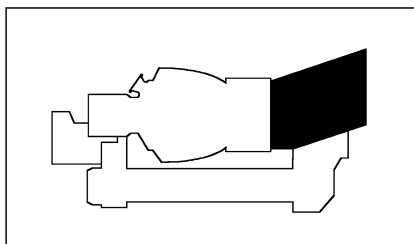
MODULE,
POWER TURBINE

72-54-00



MODULE,
ACCESS. GEARBOX

72-61-00

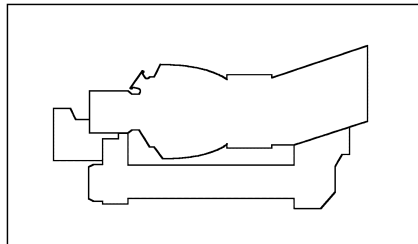


PIPE, EXHAUST

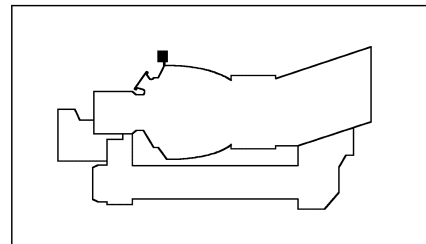
72-70-00

TURBOMECA ARRIEL 2 C2

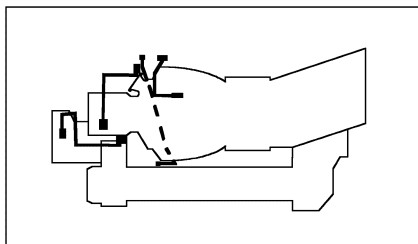
MAINTENANCE SPARE PARTS CATALOG



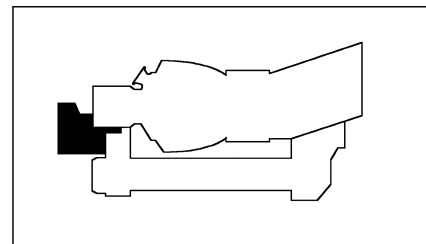
SYSTEM, FUEL 73-00-00



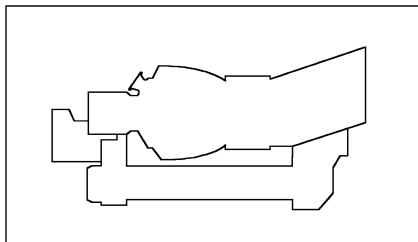
VALVE ASSY,
ADJUSTED 73-14-00



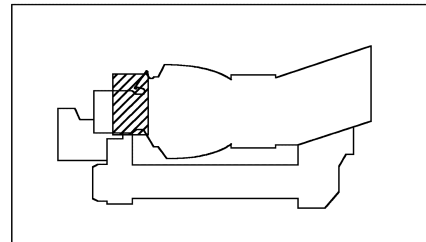
PIPES, FUEL 73-19-00



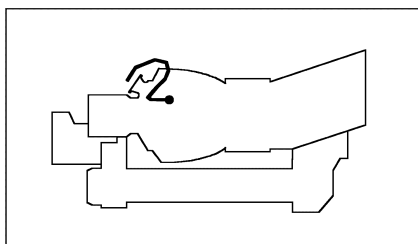
PUMP AND METER.
UNIT ASSY 73-23-00



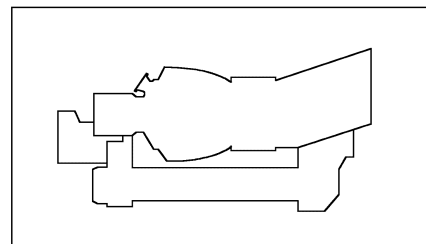
SYSTEM, IGNITION 74-00-00



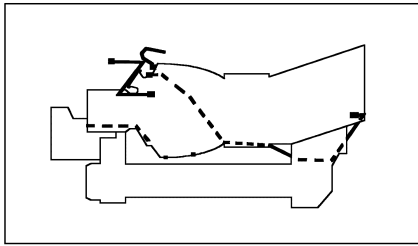
BOX, IGNITION 74-11-10



CABLES, IGNITION 73-24-10

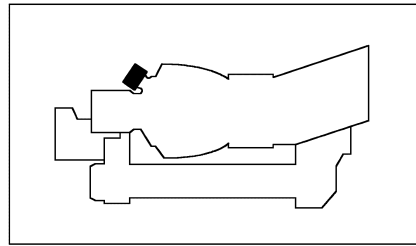


SYSTEM, AIR 75-00-00



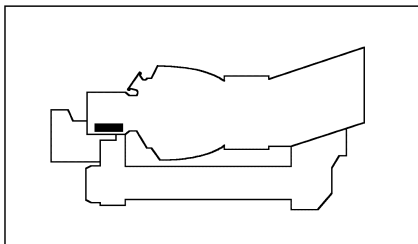
PIPES, AIR

75-29-00



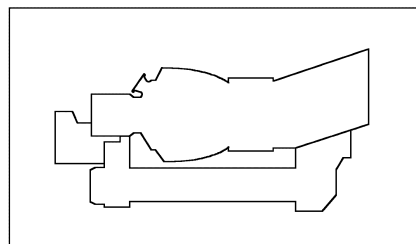
BLEED VALVE

75-31-00



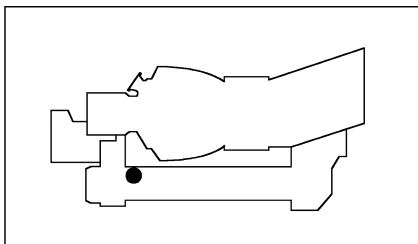
TRANSMITTER P3

75-41-00



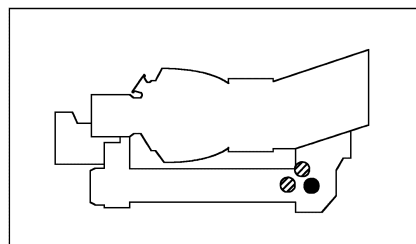
ENGINE CONTROL

77-00-00



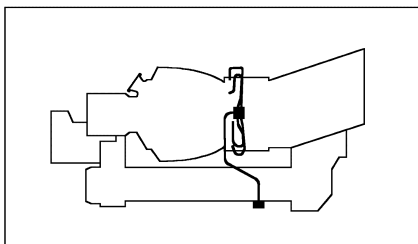
SENSOR,
N1 SPEED

77-11-00



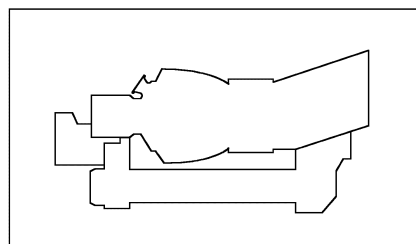
SENSOR,
N2 SPEED

77-12-00



HARNES PYROMETRIC

77-21-00

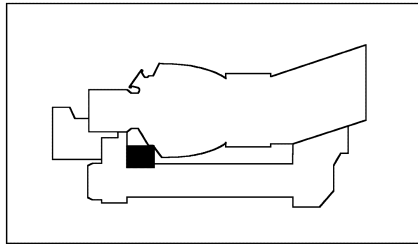


SYSTEM, OIL

79-00-00

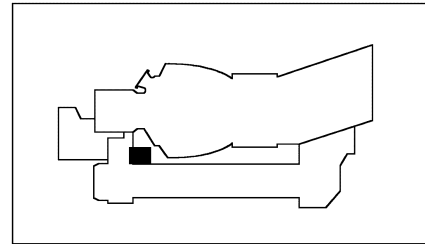
TURBOMECA ARRIEL 2 C2

MAINTENANCE SPARE PARTS CATALOG



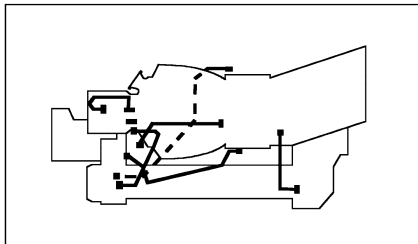
PUMP, OIL

79-24-00



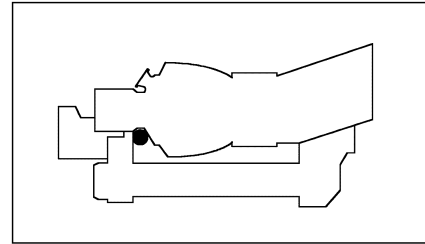
VALVE ASSY

79-25-00



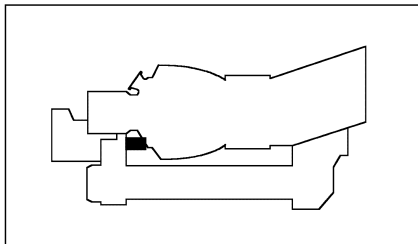
PIPES, OIL

79-29-00



SWITCH,
LOW OIL PRESSURE

79-31-00



PLUGS,
MAGNETIC, ELECT.

79-38-00

PAGE LEFT BLANK INTENTIONALLY

CHAPTER 00 - LIST OF EFFECTIVE PAGES

| <u>Chapter</u> <u>Section</u> <u>Subject</u> | <u>Title</u> | <u>Pages</u> | <u>Date</u> |
|--|---|--------------|--------------|
| 00 | LIST OF EFFECTIVE PAGES | * 1 - 2 | Dec. 30/2023 |
| 00 | TABLE OF CONTENTS | 1 - 2 | Nov. 30/2009 |
| 00-00-00 | INTRODUCTION | 1 - 2 | June 15/2019 |
| 00-00-11 | MAINTENANCE SPARE PARTS CATALOG USER GUIDE | 1 - 14 | Dec. 30/2018 |
| 00-00-13 | LIST OF ADDITIONAL DOCUMENTATION | 1 - 2 | Nov. 30/2009 |
| 00-00-40 | NUMERICAL INDEX OF SAFRAN HELICOPTER ENGINES PART NUMBERS | * 1 - 18 | Dec. 30/2023 |
| 00-00-41 | ALPHANUMERICAL INDEX OF MANUFACTURER PART NUMBERS | * 1 - 10 | Dec. 30/2023 |
| 00-00-42 | NUMERICAL INDEX OF NATO PART NUMBERS | * 1 - 18 | Dec. 30/2023 |
| 00-00-43 | LIST OF MANUFACTURER CODES | * 1 - 4 | Dec. 30/2023 |

* Page modified following update No. 50

PAGE LEFT BLANK INTENTIONALLY

CHAPTER 00 - TABLE OF CONTENTS

| <u>Subject</u> | <u>Chapter Section Subject</u> | <u>Page</u> |
|---|--|-------------|
| INTRODUCTION | 00-00-00 | 1 |
| MAINTENANCE SPARE PARTS CATALOG USER GUIDE | 00-00-11 | 1 |
| LIST OF ADDITIONAL DOCUMENTATION | 00-00-13 | 1 |
| NUMERICAL INDEX OF TURBOMECA PART NUMBERS | 00-00-40 | 1 |
| ALPHANUMERICAL INDEX OF MANUFACTURER PART NUMBERS | 00-00-41 | 1 |
| NUMERICAL INDEX OF NATO PART NUMBERS | 00-00-42 | 1 |
| LIST OF MANUFACTURER CODES | 00-00-43 | 1 |

PAGE LEFT BLANK INTENTIONALLY

INTRODUCTION

1. GENERAL

CAUTION: THE INFORMATION IN THIS MANUAL IS SAFRAN HELICOPTER ENGINES PROPERTY. IT SHALL NOT BE COMMUNICATED TO A THIRD PARTY, NOR SHALL IT BE USED FOR ANY OTHER PURPOSES WITHOUT SAFRAN HELICOPTER ENGINES PRIOR WRITTEN AUTHORIZATION.

This document complements the Maintenance Manual.

The writing of this document obeys the directives of "ATA Specification No. 100" Revision No. 35.

The purpose of the Maintenance Spare Parts Catalog is to locate and identify the equipment/ accessories and parts which are liable to be replaced by operators.

The document is divided into different chapters, example:

| | |
|------------|-------------------|
| Chapter 00 | Introduction |
| Chapter 26 | Fire protection |
| Chapter 71 | Power plant |
| Chapter 72 | Engine |
| Chapter 73 | Fuel |
| Chapter 74 | Ignition |
| Chapter 75 | Air |
| Chapter 77 | Engine indicating |
| Chapter 78 | Exhaust |
| Chapter 79 | Lubrication |
| Chapter 80 | Starting |

A chapter deals with a system.

A system is an assembly of some related components, which are connected for a specified function.

The chapters are divided into sections which show the breakdown of a system into sub-systems.

A section is subdivided into subjects which are the equipment of the system or of the sub-system.

Each chapter begins with a List of Effective Pages (LEP) followed by a Table of Contents.

The following are indicated at the bottom of the list of effective pages:

- the number of the chapter to which it belongs,
- a page number,
- a date of effectivity, either the date of the first issue, or the date of the last update.

2. UPDATE OF MAINTENANCE SPARE PARTS CATALOG

The Maintenance Spare Parts Catalog is updated by normal updates.

Normal updates are distributed periodically and are printed on white paper.

A Normal Update incorporation sheet allows for better follow-up of these updates.

In the paper version or in PDF version, text and illustrations which have been modified are indicated by a line drawn in the left-hand margin.

In the electronic version (IETP), the text which has been modified appears on a blue-grey background. The illustrations which have been modified are indicated by a letter R that appears in front of the illustration title (left low part of the consultation screen).

PAGE LEFT BLANK INTENTIONALLY

MAINTENANCE SPARE PARTS CATALOG USER GUIDE**1. USE OF THE MAINTENANCE SPARE PARTS CATALOG**

The Maintenance Spare Parts Catalog allows parts to be identified in several ways.

A. By the function of the part

Refer to the list of chapters (breakdown of the Maintenance Spare Parts Catalog) to determine the sub-assembly to which the part concerned belongs.

B. By visualizing the part without knowing its part number

According to the shape of the component, refer to the illustrated figures which cross-refer to the corresponding parts list.

C. By the part number

Refer to:

- (1) The numerical index of Safran Helicopter Engines part numbers, which specifies:
 - The NATO code number and the Manufacturer part number when the article is not manufactured by Safran Helicopter Engines
 - The NATO part number
 - The chapter, section, subject, figure, item number and quantity.
- (2) The alphanumerical index of Manufacturer part numbers, which specifies:
 - The Manufacturer NATO code number and the Safran Helicopter Engines part number
 - the NATO part number,
 - the chapter, section, subject, figure, item number and quantity.
- (3) The numerical index of NATO part numbers, which specifies:
 - The Safran Helicopter Engines part number
 - The NATO code number and the Manufacturer part number when the article is not manufactured by Safran Helicopter Engines
 - the chapter, section, subject, figure, item number and quantity.

2. LIST OF SPARE PARTS**A. Breakdown**

The Maintenance Spare Parts Catalog is divided into chapters, sections and subjects (identified by three sets of two digits separated with a dash), each of which contains a certain number of figures.

E.g.: 26-11-00

- 26: Chapter
- 11: Section
- 00: Subject

The figures are always printed on the reverse side of the sheets and the corresponding parts list in front of the following sheet.

Each chapter begins with:

- a list of effective pages
- a table of contents
- a section title page.

B. Lists of Chapters

Refer to the detailed lists of chapters in the preliminary pages.

C. Layout of the parts list

Refer to Figure 1

The different columns of a parts list are in the following order:

| | |
|------------|---------------------------------|
| 1st column | Figure number and item number |
| 2nd column | Part number |
| 3rd column | Airline Stock Number (not used) |
| 4th column | Description |
| 5th column | Effectivity |
| 6th column | Quantity per assembly |

(1) Figure number and item number

Each illustration is given a figure number starting at 01 and increasing in chronological order.

Each illustration can be divided into several sheets.

When it is necessary to insert additional figures, alphabetical indices from A to Z (excluding I and O) are added to the original illustration.

An item number is allocated to all parts appearing in the detailed parts list. The numbers start from 001 and increase to 999 in sequences of ten or in other sequences (the sequence chosen is at the discretion of the author according to the complexity of the assembly) to allow additional items to be inserted.

Alternative parts have the same item number as the initial part and are given an index.

To follow changes in the modification standard of parts or assemblies, items are given an index from A to Z (excluding I and O).

Items which are not illustrated are identified by a dash in front of the item number.

(2) Part Number

This column contains the original Manufacturer part number for the part.

All parts that have not been designed by Safran Helicopter Engines are assigned an equivalent part number which is indicated in the description column (4).

If the Manufacturer part number is made up of more than 15 characters, the equivalent Safran Helicopter Engines part number appears in this column. In this case, the Manufacturer code and part number are placed after the description of the item.

This codification, which is associated with the data in the effectivity column (see para. 2.C. 5), makes it possible to know the basic parts of the assembly identified in Figure 01 - Item Number 001, or to know which assembly the basic parts belong to (Figure 01 - Item Number 001).

(3) Airline Stock Number

Not used.

(4) Description

This column gives the description of each item and shows the relationship between the different elements.

The descriptions of the components making up an assembly are indented one tab to the right in relation to the position of the description of the assembly concerned (see diagram below).

GENERAL ASSEMBLY

. Parts making up the general assembly

. Assembly

. Assembly attaching parts

* * *

.. Parts making up the assembly

.. Sub-assembly

.. Sub-assembly attaching parts

* * *

... Parts making up the sub-assembly

... Subdivision of the sub-assembly

... Attaching parts of the subdivision of the sub-assembly

* * *

.... Basic parts

The description of the item may be followed by:

- the NATO Manufacturer code (see list 00-00-43). If the code is not known, a temporary code ending in the letter "T" is allocated
- The equivalent Safran Helicopter Engines part number in brackets, if the article was not designed by Safran Helicopter Engines
- a cross-reference indicating the chapter numbers, figures, item numbers where this same item is illustrated
- any alternative,
- the modification standard,
- An information to display dependencies with other parts: PART OF ITEM(S) comment or USE WITH ITEM(S) comment. USE WITH ITEM(S). Refer to "Part dependencies" in paragraph 2.D.
- The indication "NON PROCURABLE" which means that this part number cannot be procured for the variant concerned. The use of the remaining stock for this part is authorized
- The indication "NOT APPLICABLE" replaces the description and means that the item does not concern the engine variant of the catalog. This item can be applicable to other engine variants, according to the indications of the catalogue concerned.

In both cases, the indication DELETED replaces the description:

- Indication DELETED and part number displayed in the "PART NUMBER" column: means that the stocks for this part number must no longer be used for the variant concerned. The P/N installed on the engine can still be used as long as a maintenance action (SB, Noria, etc.) does not cause its replacement. (Refer to Figure 2)
- Indication DELETED and if no part number is displayed in the "PART NUMBER" column: means that the part concerned has never been installed. It is a correction of an error in the catalogs. This indication is only displayed in the issue on which the error was corrected and will no longer be displayed on the next issue (Refer to Figure 2).

(5) Effectivity

The interchangeability of parts in relation to the main assembly is identified by lower case letters. Refer to "Part dependencies" in paragraph 2.D.

The list of lower case letters that identify higher assemblies are all enumerated.

However, when this list includes numbers of letters, ".." abbreviation is used:

- "a..z" means all letters between "a" and "z";
- "aa..az" means all letters between "aa" and "az", etc.

This code is only valid for the assembly dealt with in the corresponding figure.

(6) Quantity

This column indicates the quantity of parts required per assembly.

The quantity of items described by the indication "ATTACHING PARTS" is given for one attached assembly.

If the same assembly or the same part appears in several figures, the quantity is only given in the first parts list. "RF" ("for reference") is indicated in subsequent parts lists.

For an element whose quantity is to be established as required (e.g.: Section cut lengthwise, etc.), the quantity is replaced by the indication "AR" ("as required").

| FIGURE ITEM | PART NUMBER | AIRL. STOCK No. | DESCRIPTION | EFFECT | QTY |
|----------------|----------------|-----------------|---|--------|-----|
| | | | | | |
| 01 -001 | 5971210000 | | INSTALLATION OF HOISTING - ATTACHEMENT POINTS REFER TO CHAP.71-04-00 FIG.01 ITEM -010 | | RF |
| 2-C-1 030 | MH951-100-100 | | BALL JOINT - VF92111 (9560126240) | a | 2 |
| 050 | 0301527030 | | FRONT STAND ASSY PRE TU 082 (AE 37335) | b | 1 |
| 2-C-4 -050A | 0301537770 | | FRONT STAND ASSY POST TU 082 (AE 37335) | c | 1 |
| 2-C-4 -050B | 0301547170 | | PRE ACR (AE 40126) FRONT STAND ASSY POST ACR (AE 40126) | d | 1 |
| 2-C-4 -050C | 0301547510 | | PRE ACR (AE 42653) FRONT STAND ASSY POST ACR (AE 40653) | | 1 |
| 052 | 22145CM050018E | | ATTACHING PARTS SCREW - VF0111 (9806051825) | a | 2 |
| 2-C-2 054 | 9740050022 | | PRE TU 082 (AE 37335) WASHER | a | 2 |
| 2-C-4 -056 | 9866050026 | | PRE TU 082 (AE 37335) NUT | a | 2 |
| 2-C-4 -056A | 9866205026 | | PRE ACR (AE 33850) NUT 9866205026 IS THE TURBOMECA PART NUMBER FOR: VF0111 - 22526-050 V16005 - EN2906-050 POST ACR (AE 33850) | a | 2 |
| 2-C-4 -058 | 221258C050016L | | PRE TU 082 (AE 37335) SCREW - VF0111 (9801051614) POST TU 082 (AE 37335) | b,c,d | 6 |
| 2-C-4 -058A | 22145CM050018E | | PRE TU 082 (AE 37335 AVT 6) SCREW - VF0111 (9806051625) POST TU 082 (AE 37335 AVT 6) | b,c,d | 6 |
| 2-C-4 058B | 22145CM050018E | | PRE TU 107 (AE 39166) SCREW - VF0111 (9806051625) POST TU 107 (AE 39166) | b,c,d | 4 |
| 2-C-4 -100 | 0301510540 | | FITTING | | 2 |
| 100A | 0301520820 | | PRE TU 024 (AE 34281) FITTING POST TU 024 (AE 34281) | | 2 |
| 2-C-4 102 | 0000023840 | | ATTACHING PARTS SCREW | | 7 |
| 104 | 22236CM070038F | | SCREW - VF0111 (9826070385) | | 2 |
| 106 | 9904070024 | | WASHER | | 7 |
| 2-C-4 -108 | 9866070026 | | NUT | | 9 |

- ITEM NOT ILLUSTRATED

The information in this manual is subject to the warning given on the information page.

72-11-00

Fig. 01 Page 1
31 Dec. 2006

Figure 1

| FIGURE ITEM | PART NUMBER | AIRL. STOCK No. | DESCRIPTION | | | | | | | EFFECT | QTY |
|----------------|-------------|-----------------------|-------------|---|---|---|---|---|--|--------|-----|
| | | | 1 | 2 | 3 | 4 | 5 | 6 | 7 | | |
| 01 | | | | | | | | | | | |
| 100 | 0319738340 | | | | | | | | . HALF-MANIFOLD,LEFT-HAND,FUEL,ASSY REPAIRABLE PRE TF 083 (AE 90584) | | 1 |
| 2-C-4 | -100A | 0319730420 | | | | | | | . HALF-MANIFOLD,LEFT-HAND,FUEL,ASSY POST TF 083 (AE 90584) REFER TO CMM 73-15-01 FOR DETAILS | | 1 |
| I | 110 | | | | | | | | DELETED | | |
| | 120 | 46012A00710 | | | | | | | . PARKING,PREFORMED - VF0111 (9794410071) | | 1 |
| | 130 | 0319731190 | | | | | | | . SEAL NON PROCURABLE PRE TF85 (AE 94983) | | 9 |
| | -130A | 0319730680 | | | | | | | . SEAL POST TF85 (AE 94983) | | 9 |
| | 150 | EN3686050020 | | | | | | | . SCREW - VI9005 (9836405020) | | 2 |
| 2-C-4 | 152 | 9866205026 | | | | | | | . NUT 9866205026 IS THE TURBOMECA PART NUMBER FOR: VF0111 - 22526-050 VI9005 - EN2906-050 | | 2 |
| I | 180 | 0319738350 | | | | | | | DELETED | | |
| | -180A | 0319730440 | | | | | | | . PIPE,INJECTOR,PREFERRED,ASSY ALTERNATE ITEM 180 | | 1 |
| | -180B | 0319730440 | | | | | | | . PIPE,INJECTOR,PREFERRED,ASSY POST TF 083 (AE 90584) REFER TO CMM 73-15-01 FOR DETAILS | | 1 |
| | 182 | 880060-70 | | | | | | | . . CIRCLIP - VF0349 (9560142690) | | 1 |
| | 184 | 0319307380 | | | | | | | . . FILTER ASSY | | 1 |

Figure 2

D. Part dependencies

Dependencies are used to define which parts only fit with others.

There are three ways to define part dependencies according to the Bill of Material level of the implied parts.

- (1) Lower characters used in the Effectivity column

Used only for item 001 of a given figure.

For Item 001: for each index, a lower character is set in the Effectivity column ("a" for 001 blank, "b" for 001A, "c" for 001B, etc.).

For components of Item 001: read the corresponding lower character(s) in Effectivity column and find the corresponding higher assembly to identify the part dependencies.

Refer to Figure 3

| FIGURE ITEM | PART NUMBER | AIRL. STOCK No. | DESCRIPTION | EFFECT | QTY |
|-------------|-----------------|-----------------|--|---------|-----|
| 01 | | 1234567 | | | |
| -001 | 0319107610 | | CASING FRONT REDUCTION GEAR PRE TU 14 (AE 39704) | a | RF |
| -001A | 0319108040 | | CASING FRONT REDUCTION GEAR POST TU 14 (AE 39704) | b | RF |
| -001B | 0319108220 | | PRE TU 38 (AE 40615) CASING FRONT REDUCTION GEAR POST TU 38 (AE 40615) | c | RF |
| -001C | 0319108510 | | PRE ACR (AE 43521) CASING FRONT REDUCTION GEAR POST ACR (AE 43521) | d | RF |
| -001D | 0319108540 | | PRE TU 74A (AE43676) POST TU 88A (AE 45085) BECOMES ITEM 001G CASING FRONT REDUCTION GEAR POST TU 74A (AE 43676) | e | RF |
| -001E | 0319108760 | | PRE TU 88A (AE 45085) POST TU 88A (AE 45085) BECOMES ITEM 001F CASING FRONT REDUCTION GEAR POST TU 88A (AE 45085) | f | RF |
| -001F | 0319108970 | | CASING FRONT REDUCTION GEAR POST TU 88A (AE 45085) | g | RF |
| -001G | 731910851A | | RETROFIT ITEM 001D CASING FRONT REDUCTION GEAR POST TU 88A (AE 45085) RETROFIT ITEM 001C | h | RF |
| 020 | SME081CM08-2296 | | REFER TO CHAP. 72-11-00 FIG.02 ITEM 180 | | 4 |
| 030 | SME071CM07-2085 | | . STUD-V83324 (9560142890) | | 5 |
| -040 | 2319101440 | | . SHRUNK USE ONLY WITH | a.b.c.d | 1 |
| 040A | 2319102720 | | PRE TU 74A (AE 43676) SHRUNK | e.f.g.h | 1 |
| | | | POST TU 74A (AE 43676) | | |

In this example, item 040 can be only used with items 001, 001A, 001B and 001C.
It means component number 2319101440 can be only used with assembly number 0319107610, 0319108040, 0319108220 or 0319108510.

Effectivity example

Figure 3

(2) Comment "PART OF ITEM(S)"

Case of dependencies between item assembly, with an item number different of 001, and its direct components.

Usage:

PART OF ITEM(S) comment is located in Description column or Effectivity column.

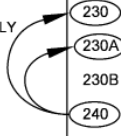
PART OF ITEM(S) comment is followed by item number index list.

This comment means the Item component can only be used with listed Item(s) assembly.

Refer to Figure 4

| FIGURE ITEM | PART NUMBER | AIRL. STOCK No. | DESCRIPTION | EFFECT | QTY |
|-------------|-------------|-----------------|--|--------|-----|
| 01 | | | 1234567 | | |
| 230 | 800A14SP | | .SEAL ASSY SEALOL - VF0562 (9561336414) PRE TU 06 (AE 38998) | | 1 |
| 230A | 950693 | | .SEAL ASSY SEALOL - VF0562 (9561336414) POST TU 06 (AE 38998) | | 1 |
| 230B | 71075-1 | | .MAGNETIC SEAL - V04171 (9560115450) | | 1 |
| 240 | 380047KA | | ALTERNATE ITEM 230 . PACKING, PREFORMED - VF0235 (9520010895) PART OF ITEMS 230 230A | | 1 |

USE ONLY WITH



In this example, item 240 can be only used with items 230 and 230A.
It means component number 380047KA can be only used with assembly number 800A14SP or 950693.

PART OF ITEM(S) example

Figure 4

(3) Comment "USE WITH ITEM(S)"

Case of dependencies between 2 items at the same level in Bill of Material.

Dependent items can be located on the same figure or in different figures.

Usage:

USE WITH ITEM(S) comment is located in Description column or Effectivity column.

USE WITH ITEM(S) comment is followed by item number index list.

This comment means the Item can only be used with listed item(s).

Refer to Figure 5

| FIGURE ITEM | PART NUMBER | AIRL. STOCK No. | DESCRIPTION | EFFECT | QTY |
|-------------|-------------|-----------------|---|--------|-----|
| | | 1234567 | | | |
| -060 | 9609000383 | | BEARING 9609000383 IS THE TURBOMECA PART NUMBER FOR: VF0771 - SNUL25/20RH35A- PRE TU 76 (AE 43155) | | 1 |
| 060A | 9609000411 | | BEARING 9609000411 IS THE TURBOMECA PART NUMBER FOR: VF0771 - SNUL25/20RH35A-S/BI POST TU 76 (AE 43155) USE WITH ITEMS 070 070A 070B | | 1 |
| -060B | 9609000588 | | BEARING DELTA DIMENSION 9609000588 IS THE TURBOMECA PART NUMBER FOR: VF0771 - SNUL25/2301-05RH35A-S/BI POST ACR (AE 88845) USE WITH ITEMS 070C 070AD 070E | | 1 |
| -065 | 960000383 | | BEARING 9609000383 IS THE TURBOMECA PART NUMBER FOR: VF0771 - SNUL25/20-05RH35A- PRE TU 76 (AE 43155) | | 1 |
| 065A | 9609000411 | | BEARING 9609000411 IS THE TURBOMECA PART NUMBER FOR: VF0771 - SNUL25/20RH35A-S/BI POST TU 76 (AE 43155) | | 1 |
| -065B | 9609000588 | | BEARING DELTA DIMENSION 9609000588 IS THE TURBOMECA PART NUMBER FOR: VF0771 - SNUL25/2301-05RH35A-S/BI POST ACR (AE 88845) USE WITH ITEMS 070C 070AD 070E | | 1 |
| -070 | 0319107740 | | GEAR DRIVING ASSY PRE ACR (AE 38416) POST ACR (AE 88845) BECOMES ITEM 070C | | 1 |
| -070A | 0319107970 | | GEAR DRIVING ASSY POST ACR (AE 38416) PRE ACR (AE 39462) POST ACR (AE 88845) BECOMES ITEM 070D | | 1 |
| 070B | 0319108190 | | GEAR DRIVING ASSY POST ACR (AE 39462) POST ACR (AE 88845) BECOMES ITEM 070E | | 1 |

USE ONLY WITH

In this example, item 060A can be only used with items 070, 070A and 070B.
It means component number 9609000411 can be only used with number 0319107740, 0319107970 or 0319108190.

USE WITH ITEM(S) example

Figure 5

3. PAGE NUMBERING

In each identified chapter (see List of chapters), the pages are numbered in relation to the figure number:

Eg.:

26-11-00 Chapter - Section - Subject

Fig 01 Figure No.

Page 0 Page number
 0) always corresponds to the illustration
 1)
 2) corresponds to the parts list pages
 3)
 etc.

4. UPDATE

In the paper version or in PDF version, text and illustrations which have been modified are indicated by a line drawn in the left-hand margin.

In the electronic version (IETP), the text which has been modified appears on a blue-grey background. The illustrations which have been modified are indicated by a letter R that appears in front of the illustration title (left low part of the consultation screen).

5. LIST OF ABBREVIATIONS

| | |
|---------|---|
| ACR | AMENDMENT WITH CHANGE OF PART NUMBER |
| AE | CHANGE ADVICE |
| AR | AS REQUIRED |
| ASSY | ASSEMBLY |
| AVT | AMENDMENT |
| CHAP. | CHAPTER |
| CMM | COMPONENT MAINTENANCE MANUAL |
| EFFECT. | EFFECTIVITY |
| FIG. | FIGURE |
| HE | HIGH ENERGY |
| HP | HIGH PRESSURE |
| INST. | INSTALLATION |
| LEP | LIST OF EFFECTIVE PAGES |
| LP | LOW PRESSURE |
| No. | NUMBER |
| P/N. | PART NUMBER |
| PT | POWER TURBINE |
| QTY | QUANTITY |
| RF | FOR REFERENCE |
| SB | SERVICE BULLETIN |
| TOC | TABLE OF CONTENTS |
| TU | IDENTIFIES A SAFRAN HELICOPTER ENGINES MODIFICATION (e.g.: TU 010A) |

PAGE LEFT BLANK INTENTIONALLY

LIST OF ADDITIONAL DOCUMENTATION

MAINTENANCE SPARE PARTS CATALOG No. X 292 N6 700 2 is one document dealing with ARRIEL 2 C2 . The additional documents required for engine maintenance implementation are as follows:

| <i>Description</i> | <i>References of manuals</i> |
|-----------------------------|------------------------------|
| Maintenance Manual | X 292 N6 450 2 |
| Maintenance Tools Catalogue | X 292 N6 800 2 |
| List of Modifications | |
| List of Service Bulletins | |
| List of Service Letters | |
| | |

PAGE LEFT BLANK INTENTIONALLY

NUMERICAL INDEX OF SAFRAN HELICOPTER ENGINES PART NUMBERS

| SAFRAN HELICOPTER ENGINES P/N | MANUFACTURER | | NATO P/N | AIRLINE STOCK No. | CHAP. SECTION SUBJECT | FIG. | ITEM | QTY |
|-------------------------------------|--------------|-------------|---------------|----------------------|-----------------------------|------|------|-----|
| | CODE | P/N | | | | | | |
| 0000022670 | | | 5307143950413 | | 72-00-00 | 01 | 245 | 2 |
| 0000022670 | | | 5307143950413 | | 72-43-00 | 01 | 090 | 1 |
| 0000022670 | | | 5307143950413 | | 72-43-00 | 01 | 090A | 2 |
| 0000024460 | | | 5305144095079 | | 72-43-00 | 01 | 350 | 1 |
| 0000025380 | | | 5305145780908 | | 72-00-00 | 01 | 120 | 2 |
| 0000025590 | | | 5306144677610 | | 79-24-00 | 01 | 012 | 3 |
| 0000025820 | | | 5306144493025 | | 79-24-00 | 01 | 102 | 2 |
| 0000025840 | | | 5307144979056 | | 72-15-00 | 02 | 090 | 2 |
| 0000025960 | | | 5306145293361 | | 73-14-00 | 01 | 013 | 3 |
| 0000026530 | | | 5307145757932 | | 72-61-10 | 01 | 015 | 1 |
| 0000026870 | | | 5305145780910 | | 72-00-00 | 01 | 110 | 2 |
| 0000080710 | | | 5310144886997 | | 72-00-00 | 01 | 210A | 1 |
| 0000080910 | | | 5310144886997 | | 72-00-00 | 01 | 210 | 1 |
| 0000130850 | | | 5325145781115 | | 71-71-01 | 01 | 010 | 1 |
| 0000130960 | | | 5365145229692 | | 79-29-00 | 01 | 105 | 1 |
| 0000190050 | VF1699 | 01329144001 | 5325145998432 | | 79-29-00 | 01 | 112A | 1 |
| 0000190420 | VF1699 | 01325164009 | 4730145229693 | | 79-29-00 | 01 | 112 | 1 |
| 0000230850 | | | 5330143790851 | | 72-43-00 | 01 | 480 | AR |
| 0000230850 | | | 5330143790851 | | 72-43-00 | 01 | 500 | AR |
| 0000230850 | | | 5330143790851 | | 72-43-00 | 01 | 560 | 2 |
| 0000230850 | | | 5330143790851 | | 72-43-00 | 01 | 580 | AR |
| 0000230850 | | | 5330143790851 | | 72-43-00 | 01 | 600 | AR |
| 0000230870 | | | 5330143785655 | | 72-43-00 | 01 | 482 | AR |
| 0000230870 | | | 5330143785655 | | 72-43-00 | 01 | 502 | AR |
| 0000230870 | | | 5330143785655 | | 72-43-00 | 01 | 562 | 2 |
| 0000230870 | | | 5330143785655 | | 72-43-00 | 01 | 582 | AR |
| 0000230870 | | | 5330143785655 | | 72-43-00 | 01 | 602 | AR |
| 0000253140 | | | 4730145823610 | | 75-29-00 | 01 | 550A | 1 |
| 0000260060 | | | 4730145823569 | | 79-29-00 | 01 | 110A | 1 |
| 0000267000 | | | 4730145229694 | | 79-29-00 | 01 | 110 | 1 |
| 0000411870 | | | 5310145488801 | | 72-61-00 | 01 | 656 | 1 |
| 0000412530 | | | 5310145404601 | | 79-24-00 | 01 | 014 | 1 |
| 0000412530 | | | 5310145404601 | | 79-24-00 | 01 | 016 | 1 |
| 0000412530 | | | 5310145404601 | | 79-24-00 | 01 | 018 | 1 |
| 0000450490 | | | 5310143830580 | | 72-43-00 | 01 | 490 | AR |
| 0000450490 | | | 5310143830580 | | 72-43-00 | 01 | 590 | AR |
| 0000450500 | | | 5365140323863 | | 72-43-00 | 01 | 492 | AR |
| 0000450500 | | | 5365140323863 | | 72-43-00 | 01 | 592 | AR |
| 0000507990 | | | 5360143203100 | | 79-25-01 | 01 | 110 | 1 |
| 0084117100 | | | 6150144002471 | | 71-21-00 | 01 | 100 | 1 |
| 0084117120 | | | 6150144002472 | | 72-61-00 | 01 | 060 | 1 |
| 0084117300 | | | 6150145780996 | | 71-51-00 | 01 | 150 | 1 |
| 0177987070 | | | 5930145674515 | | 72-61-20 | 01 | 280 | 1 |
| 0177987120 | | | 5998145780545 | | 77-09-02 | 01 | 050A | 1 |
| 0177987140 | | | 2925145889667 | | 72-61-20 | 01 | 280A | 1 |
| 0177987160 | | | 5998145889675 | | 77-09-02 | 01 | 050C | 1 |
| 0210140070 | | | 5340143142395 | | 79-25-01 | 01 | 100 | 1 |
| 0210140150 | | | 2995143925547 | | 79-25-01 | 01 | 150 | 1 |
| 0210140170 | | | 2995143925548 | | 79-25-01 | 01 | 120 | 1 |
| 0235341360 | | | 5340145468462 | | 71-51-00 | 01 | 050 | 1 |
| 0268980110 | | | 5340143122869 | | 72-61-00 | 01 | 256 | 2 |
| 0268980110 | | | 5340143122869 | | 73-23-00 | 01 | 026 | 2 |

SAFRAN HELICOPTER ENGINES

ARRIEL 2 C2

MAINTENANCE SPARE PARTS CATALOG

| SAFRAN HELICOPTER ENGINES P/N | MANUFACTURER | | NATO P/N | AIRLINE STOCK No. | CHAP. SECTION SUBJECT | FIG. | ITEM | QTY |
|-------------------------------------|--------------|-----|---------------|----------------------|-----------------------------|------|------|-----|
| | CODE | P/N | | | | | | |
| 0268987150 | | | 5340145758020 | | 72-61-00 | 01 | 250 | 1 |
| 0268987150 | | | 5340145758020 | | 73-23-00 | 01 | 020 | 1 |
| 0283317500 | | | 2915143785664 | | 72-43-00 | 01 | 550 | 2 |
| 0292005420 | | | | | 71-00-00 | 01 | 001 | 1 |
| 0292025120 | | | | | 71-00-00 | 01 | 100 | 1 |
| 0292025150 | | | | | 71-00-00 | 01 | 005 | 1 |
| 0292101580 | | | 2840145783412 | | 72-61-20 | 01 | 120A | 1 |
| 0292102010 | | | 2840145221445 | | 72-61-00 | 01 | 350 | 1 |
| 0292102900 | | | 5306144002564 | | 72-61-20 | 01 | 034 | 3 |
| 0292102940 | | | 5330143970869 | | 72-61-20 | 01 | 100 | 1 |
| 0292102950 | | | 5365145557032 | | 72-61-20 | 01 | 127 | 1 |
| 0292103360 | | | 5365145143525 | | 72-61-50 | 01 | 010 | 1 |
| 0292107650 | | | 2995144002567 | | 72-61-00 | 01 | 070 | 1 |
| 0292108170 | | | 5330143970871 | | 72-61-20 | 01 | 120 | 1 |
| 0292109010 | | | 3010145757937 | | 72-61-20 | 01 | 030A | 1 |
| 0292117260 | | | 3010145757938 | | 72-61-20 | 01 | 030 | 1 |
| 0292117300 | | | 2840145471304 | | 72-61-00 | 01 | 030 | 1 |
| 0292120410 | | | 2840145846359 | | 72-61-50 | 01 | 200A | 1 |
| 0292120650 | | | 2840145846357 | | 72-61-50 | 01 | 100A | 1 |
| 0292120770 | | | 2995145780488 | | 72-61-00 | 01 | 560 | 1 |
| 0292120800 | | | 5360145561038 | | 72-61-00 | 01 | 540 | 1 |
| 0292120950 | | | 2935145781109 | | 72-61-00 | 01 | 600 | 1 |
| 0292121000 | | | 2995145674604 | | 79-24-00 | 01 | 010E | 1 |
| 0292121020 | | | 2995145804339 | | 79-24-00 | 01 | 010D | 1 |
| 0292121340 | | | 2840145780620 | | 72-61-00 | 01 | 400 | 1 |
| 0292121460 | | | 2840145846362 | | 72-61-50 | 01 | 200B | 1 |
| 0292121490 | | | 2840145846364 | | 72-61-00 | 02 | 300A | 1 |
| 0292121510 | | | 2840145873368 | | 72-61-50 | 01 | 100B | 1 |
| 0292121530 | | | 2840145873369 | | 72-61-00 | 02 | 300B | 1 |
| 0292125060 | | | 2995145780793 | | 79-24-00 | 01 | 010A | 1 |
| 0292125120 | | | 2995145804337 | | 79-24-00 | 01 | 010 | 1 |
| 0292125130 | | | 2995145674604 | | 79-24-00 | 01 | 010C | 1 |
| 0292125150 | | | 2995145804339 | | 79-24-00 | 01 | 010B | 1 |
| 0292127020 | | | 2840145846366 | | 72-61-50 | 01 | 100 | 1 |
| 0292127140 | | | 4730145780482 | | 72-61-00 | 01 | 100 | 1 |
| 0292127420 | | | 2945145846370 | | 72-61-40 | 01 | 100 | 1 |
| 0292127460 | | | 2945145780479 | | 72-61-00 | 01 | 500 | 1 |
| 0292127680 | | | 2840145846372 | | 72-61-50 | 01 | 200 | 1 |
| 0292127720 | | | 2840145846373 | | 72-61-00 | 02 | 300 | 1 |
| 0292127890 | | | 2945145780741 | | 72-61-00 | 02 | 010 | 1 |
| 0292150080 | | | 2840145846377 | | 72-32-00 | 01 | 100A | 1 |
| 0292150450 | | | | | 72-32-10 | 01 | 500A | 1 |
| 0292150510 | | | 2840146035300 | | 72-32-10 | 01 | 330A | 1 |
| 0292152460 | | | 5365145304858 | | 72-32-10 | 02 | 010 | 3 |
| 0292153330 | | | 3120145230521 | | 72-32-00 | 01 | 300 | 1 |
| 0292158250 | | | 2840145780766 | | 72-32-10 | 01 | 330 | 1 |
| 0292158290 | | | 2840145780419 | | 72-43-00 | 02 | 170 | 1 |
| 0292158460 | | | 2840145846378 | | 72-32-00 | 01 | 100 | 1 |
| 0292158490 | | | 2840145846380 | | 72-32-10 | 01 | 500 | 1 |
| 0292260160 | | | 2840145780763 | | 72-43-00 | 02 | 100 | 1 |
| 0292300670 | | | 4730144002573 | | 72-43-00 | 01 | 570 | 2 |
| 0292370330 | | | 4730145465392 | | 73-19-00 | 01 | 350 | 2 |
| 0292377800 | | | 2925145846381 | | 72-43-00 | 01 | 450 | 2 |
| 0292460010 | | | 2840145889676 | | 72-43-00 | 02 | 370A | 1 |
| 0292460060 | | | 5365145780494 | | 72-43-00 | 03 | 030 | 3 |

SAFRAN HELICOPTER ENGINES

ARRIEL 2 C2

MAINTENANCE SPARE PARTS CATALOG

| SAFRAN HELICOPTER ENGINES P/N | MANUFACTURER | | NATO P/N | AIRLINE STOCK No. | CHAP. SECTION SUBJECT | FIG. | ITEM | QTY |
|-------------------------------------|--------------|-----|---------------|----------------------|-----------------------------|------|------|-----|
| | CODE | P/N | | | | | | |
| 0292467080 | | | 2840145846382 | | 72-43-00 | 02 | 370 | 1 |
| 0292510030 | | | 2840145823708 | | 72-43-00 | 01 | 400A | 3 |
| 0292510040 | | | 5340145823539 | | 72-43-00 | 01 | 140 | 1 |
| 0292510040 | | | 5340145823539 | | 72-43-00 | 01 | 190 | 1 |
| 0292510040 | | | 5340145823539 | | 72-43-00 | 01 | 240 | 1 |
| 0292510080 | | | 5340145823710 | | 72-43-00 | 01 | 135 | 1 |
| 0292510080 | | | 5340145823710 | | 72-43-00 | 01 | 185 | 1 |
| 0292510080 | | | 5340145823710 | | 72-43-00 | 01 | 235 | 1 |
| 0292510100 | | | 5330145823647 | | 72-43-00 | 01 | 132 | 1 |
| 0292510100 | | | 5330145823647 | | 72-43-00 | 01 | 182 | 1 |
| 0292510100 | | | 5330145823647 | | 72-43-00 | 01 | 232 | 1 |
| 0292510120 | | | 5330145823661 | | 72-43-00 | 01 | 132A | 1 |
| 0292510120 | | | 5330145823661 | | 72-43-00 | 01 | 182A | 1 |
| 0292510120 | | | 5330145823661 | | 72-43-00 | 01 | 232A | 1 |
| 0292510130 | | | 2840145780769 | | 72-43-10 | 01 | 180 | 1 |
| 0292510160 | | | 2840145780765 | | 72-43-10 | 02 | 050 | 1 |
| 0292510200 | | | 2840145728634 | | 72-43-00 | 01 | 410 | 3 |
| 0292510340 | | | 4710145780441 | | 72-43-00 | 01 | 400 | 3 |
| 0292510360 | | | 5365145823572 | | 72-43-10 | 01 | 110 | 1 |
| 0292510460 | | | 2840145780768 | | 72-43-00 | 01 | 410A | 3 |
| 0292517060 | | | 2995145780487 | | 72-43-10 | 01 | 030 | 1 |
| 0292517110 | | | 2840145780373 | | 72-43-10 | 01 | 250 | 1 |
| 0292517140 | | | 2840145780561 | | 72-43-10 | 01 | 150 | 1 |
| 0292517170 | | | 2840145779846 | | 72-43-10 | 01 | 100 | 1 |
| 0292670030 | | | 4730145780963 | | 73-19-00 | 01 | 300 | 1 |
| 0292670050 | | | 4730145804341 | | 71-71-00 | 01 | 320A | 1 |
| 0292670180 | | | 3940145780365 | | 71-21-00 | 01 | 010 | 1 |
| 0292670400 | | | 2840145779847 | | 71-71-00 | 01 | 350 | 1 |
| 0292670410 | | | 4730145780435 | | 71-71-00 | 01 | 320 | 1 |
| 0292677000 | | | 2840145780749 | | 72-00-00 | 01 | 150 | 1 |
| 0292677010 | | | 2840145779848 | | 74-11-10 | 01 | 100 | 1 |
| 0292677110 | | | 2915145779784 | | 71-71-00 | 01 | 010 | 1 |
| 0292677160 | | | 2915145779785 | | 71-71-00 | 01 | 050 | 1 |
| 0292677170 | | | 2840145846384 | | 72-43-00 | 01 | 005 | 1 |
| 0292677190 | | | 2915145779788 | | 71-71-00 | 01 | 150 | 1 |
| 0292677210 | | | 2915145823667 | | 71-71-00 | 01 | 120 | 1 |
| 0292680030 | | | 2995145779982 | | 75-29-00 | 01 | 450A | 1 |
| 0292680370 | | | 4820145843318 | | 71-71-01 | 01 | 100 | 1 |
| 0292680520 | | | 4820145780454 | | 71-71-01 | 01 | 040 | 1 |
| 0292680530 | | | 4820145780421 | | 71-71-01 | 01 | 030 | 1 |
| 0292680560 | | | 5360145780984 | | 71-71-01 | 01 | 020 | 1 |
| 0292680570 | | | 4730145780746 | | 75-31-00 | 01 | 170 | 1 |
| 0292680640 | | | 4730145221447 | | 75-31-00 | 01 | 150 | 1 |
| 0292680650 | | | 4820145780464 | | 71-71-01 | 01 | 040A | 1 |
| 0292687230 | | | 2995145780012 | | 75-29-00 | 01 | 400 | 1 |
| 0292687250 | | | 4820145067042 | | 71-71-00 | 01 | 070 | 1 |
| 0292687270 | | | 2995145779990 | | 75-29-00 | 01 | 450 | 1 |
| 0292687280 | | | 2995145780005 | | 75-29-00 | 01 | 010 | 1 |
| 0292687410 | | | 2995145823669 | | 75-29-00 | 01 | 500 | 1 |
| 0292697440 | | | | | 71-51-00 | 01 | 020 | 1 |
| 0292697520 | | | 5975145674596 | | 72-43-00 | 01 | 010 | 1 |
| 0292697530 | | | 5998145780416 | | 77-22-01 | 01 | 050B | 1 |
| 0292697590 | | | | | 71-51-00 | 01 | 030 | 1 |
| 0292697640 | | | 6150145823574 | | 71-51-00 | 01 | 010 | 1 |
| 0292697900 | | | 2925145889678 | | 72-43-00 | 01 | 010A | 1 |

SAFRAN HELICOPTER ENGINES

ARRIEL 2 C2

MAINTENANCE SPARE PARTS CATALOG

| SAFRAN HELICOPTER ENGINES P/N | MANUFACTURER | | NATO P/N | AIRLINE STOCK No. | CHAP. SECTION SUBJECT | FIG. | ITEM | QTY |
|-------------------------------------|--------------|-----|---------------|----------------------|-----------------------------|------|------|-----|
| | CODE | P/N | | | | | | |
| 0292697930 | | | 5998145889679 | | 77-22-01 | 01 | 050E | 1 |
| 0292717390 | | | 3040145780771 | | 72-15-00 | 01 | 250 | 1 |
| 0292717410 | | | 2840145846389 | | 72-15-20 | 01 | 300 | 1 |
| 0292717470 | | | 2840145846391 | | 72-15-30 | 01 | 200 | 1 |
| 0292717500 | | | 2840145823555 | | 72-15-20 | 01 | 020 | 1 |
| 0292717600 | | | 3040145780772 | | 72-15-00 | 01 | 250A | 1 |
| 0292720520 | | | 2840145780393 | | 79-29-00 | 01 | 400 | 1 |
| 0292720560 | | | 5340145932772 | | 79-25-01 | 01 | 050A | 1 |
| 0292720620 | | | 4730145780976 | | 79-24-00 | 01 | 100 | 1 |
| 0292720630 | | | 4730145780978 | | 79-25-00 | 01 | 100 | 1 |
| 0292720670 | | | 4730145780981 | | 72-43-00 | 01 | 150 | 1 |
| 0292720670 | | | 4730145780981 | | 72-43-00 | 01 | 200 | 1 |
| 0292720690 | | | 4730145780982 | | 72-43-00 | 01 | 100 | 1 |
| 0292720860 | | | 2995145823759 | | 79-29-00 | 01 | 100A | 1 |
| 0292720870 | | | 2995145823762 | | 79-29-00 | 01 | 150A | 1 |
| 0292720880 | | | 2995145823760 | | 79-29-00 | 01 | 300A | 1 |
| 0292720920 | | | 2995145860433 | | 79-29-00 | 01 | 100B | 1 |
| 0292720930 | | | 2995145860434 | | 79-29-00 | 01 | 150B | 1 |
| 0292720960 | | | 5365145932774 | | 79-25-01 | 01 | 150A | 1 |
| 0292727040 | | | 4730145780484 | | 79-25-01 | 01 | 170 | 1 |
| 0292727240 | | | 2995145780002 | | 79-29-00 | 01 | 010 | 1 |
| 0292727250 | | | 2995145780017 | | 79-29-00 | 01 | 150 | 1 |
| 0292727260 | | | 2995145780007 | | 79-29-00 | 01 | 300 | 1 |
| 0292727300 | | | 4820145780611 | | 79-25-00 | 01 | 010 | 1 |
| 0292727320 | | | 2995145823665 | | 79-29-00 | 01 | 050 | 1 |
| 0292727330 | | | 2995145780000 | | 79-29-00 | 01 | 100 | 1 |
| 0292730650 | | | 2840146007298 | | 73-19-00 | 01 | 490 | 1 |
| 0292737250 | | | 2840145780742 | | 73-14-00 | 01 | 100 | 1 |
| 0292737290 | | | 2915145779807 | | 73-19-00 | 01 | 200 | 1 |
| 0292737300 | | | 2915145779809 | | 73-19-00 | 01 | 250 | 1 |
| 0292737310 | | | 2915145779810 | | 73-19-00 | 01 | 400 | 1 |
| 0292737390 | | | 2915145779812 | | 73-19-00 | 01 | 600 | 1 |
| 0292737440 | | | 2915145779818 | | 73-19-00 | 01 | 010 | 1 |
| 0292737580 | | | 2915145779822 | | 73-19-00 | 01 | 550 | 1 |
| 0292737730 | | | 2915145823761 | | 73-23-08 | 02 | 170 | 1 |
| 0292750010 | | | 5340145757908 | | 72-61-10 | 01 | 140A | 2 |
| 0292750030 | | | 2840145779838 | | 72-61-10 | 01 | 020A | 1 |
| 0292750150 | | | 5340145757910 | | 72-61-10 | 01 | 140 | 2 |
| 0292750390 | | | 5365144095136 | | 72-61-10 | 01 | 150 | 2 |
| 0292750400 | | | 5365144125537 | | 72-61-10 | 01 | 160 | 4 |
| 0292757140 | | | 4710145557337 | | 72-61-10 | 01 | 070 | 1 |
| 0292757160 | | | 4710145557335 | | 72-61-10 | 01 | 090 | 1 |
| 0292757210 | | | 2840145779838 | | 72-61-10 | 01 | 020 | 1 |
| 0292757850 | | | 4710145779843 | | 72-61-10 | 01 | 120 | 1 |
| 0292760020 | | | 2840145543127 | | 72-00-00 | 01 | 170 | 1 |
| 0292760160 | | | 2840145779849 | | 26-11-00 | 01 | 150 | 1 |
| 0292760390 | | | 2840145779851 | | 26-11-00 | 01 | 250 | 1 |
| 0292760420 | | | 4730145674646 | | 77-21-00 | 01 | 014 | 2 |
| 0292767020 | | | 2840145779852 | | 71-51-00 | 01 | 100 | 1 |
| 0292767020 | | | 2840145779852 | | 72-61-00 | 01 | 860 | 1 |
| 0292767070 | | | 6150145780962 | | 77-21-00 | 01 | 050 | 1 |
| 0292767120 | | | 2840145779853 | | 26-11-00 | 01 | 050 | 1 |
| 0292767130 | | | 2840145779902 | | 72-00-00 | 01 | 130 | 1 |
| 0292767140 | | | 2840145779907 | | 71-41-00 | 01 | 050 | 1 |
| 0292767170 | | | | | 71-51-00 | 01 | 140 | 1 |

SAFRAN HELICOPTER ENGINES

ARRIEL 2 C2

MAINTENANCE SPARE PARTS CATALOG

| SAFRAN HELICOPTER ENGINES P/N | MANUFACTURER | | NATO P/N | AIRLINE STOCK No. | CHAP. SECTION SUBJECT | FIG. | ITEM | QTY |
|-------------------------------------|--------------|-----|---------------|----------------------|-----------------------------|------|------|-----|
| | CODE | P/N | | | | | | |
| 0292810620 | | | 5365145780498 | | 72-43-00 | 02 | 053 | 3 |
| 0292815020 | | | 2840145823670 | | 72-00-00 | 01 | 070 | 1 |
| 0292817330 | | | 2840145779830 | | 72-70-00 | 01 | 200 | 1 |
| 0292817390 | | | 2840145780368 | | 72-43-00 | 02 | 050 | 1 |
| 0292817480 | | | 5340145757917 | | 72-70-00 | 01 | 050 | 1 |
| 0292827170 | | | 2840145823540 | | 72-70-00 | 01 | 100 | 1 |
| 0292840050 | | | | | 73-23-08 | 02 | 150D | 1 |
| 0292840060 | | | 2915145846408 | | 73-23-08 | 02 | 150C | 1 |
| 0292840380 | | | 2915145846409 | | 73-23-08 | 02 | 150E | 1 |
| 0292840790 | | | 2915145846410 | | 73-23-08 | 02 | 150F | 1 |
| 0292840930 | | | 5315145823554 | | 73-23-08 | 06 | 225 | 1 |
| 0292841840 | | | 2915145823714 | | 73-23-08 | 02 | 150G | 1 |
| 0292845040 | | | 4820145823707 | | 73-23-08 | 02 | 010 | 1 |
| 0292845200 | | | | | 73-23-08 | 02 | 150 | 1 |
| 0292845310 | | | 2915145846411 | | 73-23-08 | 02 | 150A | 1 |
| 0292845350 | | | 2915145846415 | | 73-23-08 | 02 | 150B | 1 |
| 0292850010 | | | 2915145823733 | | 73-23-00 | 01 | 010F | 1 |
| 0292850020 | | | 2915145823735 | | 73-23-00 | 01 | 010G | 1 |
| 0292858300 | | | 2915145823736 | | 73-23-00 | 01 | 010 | 1 |
| 0292860230 | | | 2915145823632 | | 73-23-00 | 01 | 010J | 1 |
| 0292860240 | | | 2915145846477 | | 73-23-08 | 01 | 100J | 1 |
| 0292860390 | | | 2915145846478 | | 73-23-08 | 01 | 100H | 1 |
| 0292860400 | | | 2915145823633 | | 73-23-00 | 01 | 010H | 1 |
| 0292860920 | | | 2915145846479 | | 73-23-08 | 01 | 100M | 1 |
| 0292860950 | | | 2915145823636 | | 73-23-00 | 01 | 010M | 1 |
| 0292861130 | | | 2915145823739 | | 73-23-00 | 01 | 010K | 1 |
| 0292861140 | | | | | 73-23-08 | 01 | 100K | 1 |
| 0292861150 | | | 2915145823638 | | 73-23-00 | 01 | 010L | 1 |
| 0292861160 | | | 2915145846480 | | 73-23-08 | 01 | 100L | 1 |
| 0292861430 | | | 2915145823740 | | 73-23-00 | 01 | 010P | 1 |
| 0292861440 | | | 2915145823639 | | 73-23-00 | 01 | 010N | 1 |
| 0292861560 | | | 2915145846481 | | 73-23-08 | 01 | 100N | 1 |
| 0292861600 | | | | | 73-23-08 | 01 | 100P | 1 |
| 0292861910 | | | 2915145823726 | | 73-23-08 | 01 | 100Q | 1 |
| 0292861920 | | | 2915145823640 | | 73-23-00 | 01 | 010Q | 1 |
| 0292862170 | | | 2915145823727 | | 73-23-08 | 01 | 100R | 1 |
| 0292862180 | | | 2915145823742 | | 73-23-00 | 01 | 010R | 1 |
| 0292862220 | | | 2915145823729 | | 73-23-08 | 01 | 100S | 1 |
| 0292862410 | | | 2915145823743 | | 73-23-00 | 01 | 010S | 1 |
| 0292862640 | | | 2915145823746 | | 73-23-00 | 01 | 010T | 1 |
| 0292862710 | | | 2915145823731 | | 73-23-08 | 01 | 100T | 1 |
| 0292862820 | | | 2915145932779 | | 73-23-00 | 01 | 010U | 1 |
| 0292862830 | | | 2915145932780 | | 73-23-08 | 01 | 100U | 1 |
| 0292865050 | | | 2915145846482 | | 73-23-08 | 01 | 100C | 1 |
| 0292865150 | | | 2915145846483 | | 73-23-08 | 01 | 100E | 1 |
| 0292868040 | | | 2915145823641 | | 73-23-00 | 01 | 010B | 1 |
| 0292868050 | | | 2915145823747 | | 73-23-00 | 01 | 010A | 1 |
| 0292868350 | | | 2915145823642 | | 73-23-00 | 01 | 010C | 1 |
| 0292868420 | | | 2915145823749 | | 73-23-00 | 01 | 010D | 1 |
| 0292868630 | | | 2915145823644 | | 73-23-00 | 01 | 010E | 1 |
| 0292910020 | | | 5340145558064 | | 72-15-20 | 01 | 210 | 1 |
| 0292910300 | | | 2915145846486 | | 73-23-08 | 02 | 200C | 1 |
| 0292910740 | | | 2915145846489 | | 73-23-08 | 02 | 200D | 1 |
| 0292911520 | | | 4730145780386 | | 73-23-08 | 02 | 174A | 1 |
| 0292911530 | | | 2840145780389 | | 73-23-08 | 03 | 680A | 1 |

SAFRAN HELICOPTER ENGINES

ARRIEL 2 C2

MAINTENANCE SPARE PARTS CATALOG

| SAFRAN HELICOPTER ENGINES P/N | MANUFACTURER | | NATO P/N | AIRLINE STOCK No. | CHAP. SECTION SUBJECT | FIG. | ITEM | QTY |
|-------------------------------------|--------------|-----|---------------|----------------------|-----------------------------|------|------|-----|
| | CODE | P/N | | | | | | |
| 0292911650 | | | 4730145780387 | | 73-23-08 | 02 | 174B | 1 |
| 0292911730 | | | 2915145846490 | | 73-23-08 | 02 | 200E | 1 |
| 0292911790 | | | | | 73-23-08 | 02 | 200F | 1 |
| 0292912010 | | | 2915145738365 | | 73-23-08 | 03 | 680B | 1 |
| 0292912080 | | | 2915145823715 | | 73-23-08 | 02 | 200G | 1 |
| 0292912160 | | | 2915145823717 | | 73-23-08 | 02 | 200H | 1 |
| 0292912480 | | | 2915145823718 | | 73-23-08 | 02 | 200J | 1 |
| 0292912590 | | | 2915145823720 | | 73-23-08 | 02 | 200K | 1 |
| 0292912670 | | | 2840145817086 | | 73-23-08 | 03 | 600A | 1 |
| 0292912700 | | | 3010145860437 | | 73-23-08 | 03 | 600B | 1 |
| 0292912720 | | | 2840145825072 | | 73-23-08 | 03 | 680C | 1 |
| 0292915330 | | | | | 73-23-08 | 02 | 200 | 1 |
| 0292915450 | | | 2915145846492 | | 73-23-08 | 02 | 200A | 1 |
| 0292915600 | | | 2915145846493 | | 73-23-08 | 02 | 200B | 1 |
| 0292917240 | | | 5340145823712 | | 73-23-08 | 03 | 110 | 1 |
| 0292920010 | | | | | 73-23-08 | 01 | 100F | 1 |
| 0292920060 | | | | | 73-23-08 | 01 | 100G | 1 |
| 0292920270 | | | 2840145780390 | | 73-23-08 | 03 | 680 | 1 |
| 0292925670 | | | | | 73-23-08 | 01 | 100 | 1 |
| 0292925960 | | | 2915145846494 | | 73-23-08 | 01 | 100B | 1 |
| 0292925970 | | | | | 73-23-08 | 01 | 100A | 1 |
| 0292941820 | | | 4730145780384 | | 73-23-08 | 02 | 174 | 1 |
| 0292950760 | | | 2915145889670 | | 73-14-01 | 01 | 005D | 1 |
| 0292950780 | | | 2915145889671 | | 73-14-00 | 01 | 010C | 1 |
| 0292955050 | | | | | 73-14-01 | 01 | 005 | 1 |
| 0292955090 | | | 2915145846495 | | 73-14-01 | 01 | 005A | 1 |
| 0292955100 | | | 2915145846498 | | 73-14-01 | 01 | 005B | 1 |
| 0292958050 | | | 2915145780699 | | 73-14-00 | 01 | 010 | 1 |
| 0292958060 | | | 2915145780689 | | 73-14-00 | 01 | 010A | 1 |
| 0292958070 | | | 4820145674672 | | 73-14-00 | 01 | 010B | 1 |
| 0292987040 | | | | | 71-01-00 | 01 | 050 | 1 |
| 0292990960 | | | 2840145780756 | | 72-00-00 | 01 | 320 | 1 |
| 0292991020 | | | 4730145780449 | | 72-00-00 | 01 | 260 | 1 |
| 0292991040 | | | 2840145823556 | | 72-32-00 | 01 | 102 | 1 |
| 0292995170 | | | 2840145846500 | | 72-00-00 | 01 | 100 | 1 |
| 0294747000 | | | 6150143494398 | | 72-61-00 | 01 | 800 | 1 |
| 0301000520 | | | 1730144036320 | | 72-43-00 | 01 | 250 | 2 |
| 0301000850 | | | 5340143853986 | | 71-51-00 | 01 | 086 | 1 |
| 0301010540 | | | 5340144002613 | | 71-51-00 | 01 | 082 | 1 |
| 0301010540 | | | 5340144002613 | | 71-71-00 | 01 | 162 | 1 |
| 0301010540 | | | 5340144002613 | | 75-29-00 | 01 | 508 | 3 |
| 0301010540 | | | 5340144002613 | | 79-29-00 | 01 | 314 | 1 |
| 0301010860 | | | 2840144002616 | | 71-21-00 | 01 | 050 | 1 |
| 0301020260 | | | 4730144002635 | | 71-71-00 | 01 | 310 | 1 |
| 0301020270 | | | 4730144002636 | | 72-61-00 | 01 | 010 | 1 |
| 0301020700 | | | 4730144002643 | | 72-43-00 | 01 | 340 | 1 |
| 0301020710 | | | 4730145557744 | | 72-43-00 | 01 | 300 | 1 |
| 0301027410 | | | 4720144002650 | | 71-71-00 | 01 | 300 | 1 |
| 0319140620 | | | 5340145780377 | | 72-61-00 | 01 | 700 | 1 |
| 0319140620 | | | 5340145780377 | | 72-61-00 | 01 | 730 | 1 |
| 0319140620 | | | 5340145780377 | | 72-61-00 | 01 | 940 | 1 |
| 0319767180 | | | 5340144182210 | | 77-21-00 | 01 | 026A | 1 |
| 0319767900 | | | 5340145067071 | | 74-24-10 | 01 | 020 | 3 |
| 0319910100 | | | 5325145563189 | | 73-23-08 | 03 | 610 | 1 |
| 0319910660 | | | 5340145780402 | | 73-23-08 | 03 | 100 | 1 |

SAFRAN HELICOPTER ENGINES

ARRIEL 2 C2

MAINTENANCE SPARE PARTS CATALOG

| SAFRAN HELICOPTER ENGINES P/N | MANUFACTURER | | NATO P/N | AIRLINE STOCK No. | CHAP. SECTION SUBJECT | FIG. | ITEM | QTY |
|-------------------------------------|--------------|------------|---------------|----------------------|-----------------------------|------|------|-----|
| | CODE | P/N | | | | | | |
| 0319911130 | | | 5310145563178 | | 73-23-08 | 03 | 635 | 1 |
| 0319911340 | | | 5325145563190 | | 73-23-08 | 03 | 610A | 1 |
| 0319911380 | | | 5310145563176 | | 73-23-08 | 03 | 635A | 1 |
| 0319917320 | | | 4320145563201 | | 73-23-08 | 03 | 600 | 1 |
| 0333750630 | | | 5340144435935 | | 72-61-10 | 01 | 180 | 1 |
| 0333750630 | | | 5340144435935 | | 77-21-00 | 01 | 034 | 1 |
| 0333767010 | | | 5340144217293 | | 77-21-00 | 01 | 026 | 1 |
| 0400410010 | VU1653 | AS12811 | 5340142933960 | | 73-19-00 | 01 | 470 | 1 |
| 0400410010 | VU1653 | AS12811 | 5340142933960 | | 75-29-00 | 01 | 462 | 2 |
| 0400410020 | VU1653 | AS12812 | 5340143388782 | | 71-71-00 | 01 | 156 | 1 |
| 0400410020 | VU1653 | AS12812 | 5340143388782 | | 79-29-00 | 01 | 310 | 1 |
| 0400420010 | VU1653 | AS12841 | 5340142933961 | | 73-19-00 | 01 | 460 | 1 |
| 0400420010 | VU1653 | AS12841 | 5340142933961 | | 75-29-00 | 01 | 460 | 2 |
| 0400420020 | VU1653 | AS12842 | 5340143388786 | | 71-71-00 | 01 | 158 | 1 |
| 0400420020 | VU1653 | AS12842 | 5340143388786 | | 79-29-00 | 01 | 308 | 1 |
| 0400430060 | VU1653 | AS12872 | 5970142933962 | | 73-19-00 | 01 | 480 | 1 |
| 0400430060 | VU1653 | AS12872 | 5970142933962 | | 75-29-00 | 01 | 464 | 2 |
| 0400430080 | VU1653 | AS12874 | 5970143114657 | | 71-71-00 | 01 | 160 | 1 |
| 0400430080 | VU1653 | AS12874 | 5970143114657 | | 79-29-00 | 01 | 312 | 1 |
| 2292150360 | | | | | 72-32-10 | 01 | 335 | 1 |
| 2292710850 | | | 2840145846502 | | 72-15-20 | 01 | 022 | 1 |
| 2292710860 | | | 2840145846504 | | 72-15-20 | 01 | 024 | 1 |
| 70BM011900 | | | | | 72-00-00 | 01 | 020 | 1 |
| 70BM011950 | | | | | 72-00-00 | 01 | 020A | 1 |
| 70BM021900 | | | 2840145823623 | | 72-00-00 | 01 | 030 | 1 |
| 70BM031900 | | | | | 72-00-00 | 01 | 040 | 1 |
| 70BM031940 | | | | | 72-00-00 | 01 | 040A | 1 |
| 70BM041750 | | | 2840145823630 | | 72-00-00 | 01 | 050 | 1 |
| 70BM051900 | | | | | 72-00-00 | 01 | 060 | 1 |
| 70BMH01000 | | | | | 71-00-00 | 01 | 003 | 1 |
| 70BMH01010 | | | | | 71-00-00 | 01 | 003A | 1 |
| 70BMH01020 | | | | | 71-00-00 | 01 | 003B | 1 |
| 70BMH01030 | | | | | 71-00-00 | 01 | 003C | 1 |
| 70BMH11000 | | | | | 71-00-00 | 01 | 003D | 1 |
| 729212772A | | | 2840145873371 | | 72-61-00 | 02 | 300C | 1 |
| 7292152461 | | | 5365145780500 | | 72-32-10 | 02 | 010A | 3 |
| 7292152463 | | | 5365145780502 | | 72-32-10 | 02 | 010B | 3 |
| 7292152466 | | | 5365145780503 | | 72-32-10 | 02 | 010C | 3 |
| 729215825A | | | 2840146058955 | | 72-32-10 | 01 | 330B | 1 |
| 9421003400 | VF5496 | HE3201A | 2925145784934 | | 74-11-10 | 01 | 010B | 1 |
| 9421003500 | V02101 | 93661-1 | 2925145823693 | | 72-61-00 | 01 | 650B | 1 |
| 9520002000 | VF1976 | 3300424 | 1650146012905 | | 75-31-00 | 02 | 080A | 1 |
| 9520002300 | VF1976 | 2300422 | 6620145758639 | | 75-31-00 | 02 | 130A | 1 |
| 9520010792 | VF1976 | 1091-203-0 | 5365144283006 | | 75-31-00 | 02 | 010 | 1 |
| 9520010793 | VF1976 | 9900-277-0 | 5360144283007 | | 75-31-00 | 02 | 030 | 1 |
| 9520010794 | VF1976 | 9220-004-0 | 5330143300649 | | 75-31-00 | 02 | 020 | 1 |
| 9520011520 | VF9211 | 4910 | 2995145228519 | | 79-38-00 | 01 | 034 | 1 |
| 9520011546 | VF9211 | 4930-1 | 2995145488865 | | 79-38-00 | 01 | 030 | 1 |
| 9520011648 | VFA3W9 | BM1026200 | | | 72-61-00 | 01 | 146 | 1 |
| 9520011649 | VFA3W9 | BM1026100 | | | 72-61-00 | 01 | 142 | 1 |
| 9520011691 | VFA3W9 | 32129101 | | | 72-15-00 | 01 | 102 | 1 |
| 9520011692 | VFA3W9 | 32129201 | | | 72-15-00 | 01 | 106 | 1 |
| 9520011774 | VF1976 | 9200-030-0 | 5331145724495 | | 75-31-00 | 02 | 100 | 1 |
| 9520011779 | VF1976 | 9486-523-0 | 5310145492113 | | 75-31-00 | 02 | 060 | 4 |
| 9520011783 | VF1976 | 9512-056-0 | 5305145492575 | | 75-31-00 | 02 | 050A | 4 |

SAFRAN HELICOPTER ENGINES

ARRIEL 2 C2

MAINTENANCE SPARE PARTS CATALOG

| SAFRAN HELICOPTER ENGINES P/N | MANUFACTURER | | NATO P/N | AIRLINE STOCK No. | CHAP. SECTION SUBJECT | FIG. | ITEM | QTY |
|-------------------------------------|--------------|------------------|---------------|----------------------|-----------------------------|------|------|-----|
| | CODE | P/N | | | | | | |
| 9520011817 | VF0559 | PAO 1583 A | 5340145488822 | | 72-61-00 | 01 | 472 | 1 |
| 9520011817 | VF0559 | PAO 1583 A | 5340145488822 | | 73-23-08 | 03 | 282 | 1 |
| 9520011818 | VF0559 | AJ-0187701780EAO | 5331144430196 | | 72-61-00 | 01 | 473 | 1 |
| 9520011818 | VF0559 | AJ-0187701780EAO | 5331144430196 | | 73-23-08 | 03 | 283 | 1 |
| 9520011819 | VF0559 | 07550200106559A | 5365145462545 | | 72-61-00 | 01 | 470 | 1 |
| 9520011819 | VF0559 | 07550200106559A | 5365145462545 | | 73-23-08 | 03 | 280 | 1 |
| 9520011820 | VF0559 | 07550200105559A | 5365145462546 | | 72-61-00 | 01 | 471 | 1 |
| 9520011820 | VF0559 | 07550200105559A | 5365145462546 | | 73-23-08 | 03 | 281 | 1 |
| 9520011822 | VF0559 | JA02052A | 2945145577266 | | 73-23-08 | 03 | 286 | 1 |
| 9520011825 | VF0559 | JAO2055A | 2945145784941 | | 72-61-00 | 01 | 476 | 1 |
| 9520011845 | VF1976 | 9193-035-0 | 5331145724498 | | 75-31-00 | 02 | 070 | 1 |
| 9520011847 | VF1976 | 1091.101.0 | 5365145758649 | | 75-31-00 | 02 | 090 | 1 |
| 9520011849 | VF1976 | 1023.951.0 | 4810145758648 | | 75-31-00 | 02 | 080 | 1 |
| 9520011850 | VF1976 | 9512.057.0 | 5305145758660 | | 75-31-00 | 02 | 050 | 4 |
| 9520011851 | VF1976 | 3162-936-0 | 6620145758651 | | 75-31-00 | 02 | 130 | 1 |
| 9520011852 | VF1976 | 9521-403-0 | 5305145758663 | | 75-31-00 | 02 | 110 | 4 |
| 9520011853 | VF1976 | 9486-522 | 5310145758653 | | 75-31-00 | 02 | 120 | 4 |
| 9520011854 | VF1976 | 2751-000 | 4730145489996 | | 75-31-00 | 02 | 040 | 1 |
| 9550000100 | VS3866 | 388Z-05644 | 6680145823700 | | 77-12-00 | 01 | 010E | 3 |
| 9550002100 | VF7926 | 9296-2 | 2925145823696 | | 72-61-00 | 01 | 650A | 1 |
| 9550163872 | VF0286 | RNF3000-24/8-4 | 5970144704077 | | 71-51-00 | 01 | 062 | AR |
| 9550163882 | VF0286 | RNF3000-24/8-6 | 5970144704078 | | 71-51-00 | 01 | 074 | AR |
| 9550163892 | VF0286 | RNF3000-24/8-9 | 5970144380660 | | 71-51-00 | 01 | 052 | AR |
| 9550163892 | VF0286 | RNF3000-24/8-9 | 5970144380660 | | 71-51-00 | 01 | 056 | AR |
| 9550166140 | V34345 | APT190-13BAR-A | 6695015233452 | | 75-41-00 | 01 | 010 | 1 |
| 9550168760 | VF6840 | SC2036 | 2925145178151 | | 72-43-00 | 01 | 460 | 2 |
| 9550168770 | V11583 | CH34595 | 2920014509908 | | 72-43-00 | 01 | 460A | 2 |
| 9550170040 | V98505 | 8585-1 | 5930014779822 | | 79-31-00 | 01 | 010 | 1 |
| 9550171410 | VF7926 | 9296-1 | 2925145823698 | | 72-61-00 | 01 | 650 | 1 |
| 9550171420 | VF2276 | CZ5MC6-3 | 6620145067146 | | 75-41-00 | 01 | 010A | 1 |
| 9550171540 | VF6840 | CLB23060 | 2925145550274 | | 74-24-10 | 01 | 010A | 2 |
| 9550171580 | V59501 | 9048205-302 | 2925015678027 | | 74-24-10 | 01 | 010 | 2 |
| 9550171750 | VF9211 | 4901-1 | 5935145424078 | | 79-38-00 | 01 | 010 | 1 |
| 9550171790 | VF2805 | EV5692-2-00 | 4810145537838 | | 73-14-01 | 01 | 080 | 1 |
| 9550171910 | VF2805 | EV5692-1-01 | | | 73-14-01 | 01 | 080A | 1 |
| 9550171990 | VF1976 | 1423-100 | 5930145067052 | | 73-23-08 | 03 | 310 | 1 |
| 9550172000 | VF0559 | JA00592A | 5930145489550 | | 73-23-08 | 03 | 220 | 1 |
| 9550172120 | V97424 | 610523-02 | 6695145782785 | | 77-12-00 | 01 | 010B | 3 |
| 9550172810 | V98505 | 8576-2 | 5930015655846 | | 73-23-08 | 03 | 310A | 1 |
| 9550173440 | VF2805 | EV5649-0-03 | 4810145561644 | | 73-14-01 | 01 | 010A | 1 |
| 9550175800 | VF6840 | VIT7100030 | 6680145674654 | | 77-12-00 | 01 | 010C | 3 |
| 9550175800 | VF6840 | VIT7100030 | 6680145674654 | | 77-12-00 | 01 | 015A | 1 |
| 9550175800 | VF6840 | VIT7100030 | 6680145674654 | | 77-12-00 | 01 | 020A | 2 |
| 9550175810 | VF6840 | VIT7100040 | 6680145488559 | | 72-61-00 | 01 | 880B | 1 |
| 9550175810 | VF6840 | VIT7100040 | 6680145488559 | | 77-11-00 | 01 | 010B | 1 |
| 9550177130 | VF9211 | H243-1 | 6350145263348 | | 26-11-00 | 01 | 010 | 1 |
| 9550177130 | VF9211 | H243-1 | 6350145263348 | | 26-11-00 | 01 | 100 | 1 |
| 9550177160 | VF9211 | H443_1 | 6350145263347 | | 26-11-00 | 01 | 200 | 1 |
| 9550177210 | VFA3W9 | BM1026 | | | 72-61-00 | 01 | 140 | 1 |
| 9550177360 | VF1976 | 1604-000 | 6680145778934 | | 77-12-00 | 01 | 010 | 3 |
| 9550177360 | VF1976 | 1604-000 | 6680145778934 | | 77-12-00 | 01 | 015 | 1 |
| 9550177360 | VF1976 | 1604-000 | 6680145778934 | | 77-12-00 | 01 | 020 | 2 |
| 9550177390 | VF1976 | 1604-300 | 6680145342774 | | 72-61-00 | 01 | 880 | 1 |
| 9550177390 | VF1976 | 1604-300 | 6680145342774 | | 77-11-00 | 01 | 010 | 1 |
| 9550177620 | VFA3W9 | 32129001 | | | 72-15-00 | 01 | 100 | 1 |

SAFRAN HELICOPTER ENGINES

ARRIEL 2 C2

MAINTENANCE SPARE PARTS CATALOG

| SAFRAN HELICOPTER ENGINES P/N | MANUFACTURER | | NATO P/N | AIRLINE STOCK No. | CHAP. SECTION SUBJECT | FIG. | ITEM | QTY |
|-------------------------------------|--------------|------------------|---------------|----------------------|-----------------------------|------|------|-----|
| | CODE | P/N | | | | | | |
| 9550177760 | VF6840 | HE 932 | 2925145571981 | | 74-11-10 | 01 | 010 | 1 |
| 9550178070 | VF5496 | HE 3200 amdt e | 2925145550280 | | 74-11-10 | 01 | 010A | 1 |
| 9550178220 | VF7917 | TCH03-K10-100 | 2995145784945 | | 77-21-00 | 01 | 010A | 1 |
| 9550178220 | VF7917 | TCH03-K10-100 | 2995145784945 | | 77-21-00 | 01 | 020A | 1 |
| 9550178230 | VF2276 | TC382-00 | 4920145677615 | | 77-21-00 | 01 | 010 | 1 |
| 9550178230 | VF2276 | TC382-00 | 4920145677615 | | 77-21-00 | 01 | 020 | 1 |
| 9550178260 | VF1976 | 1353700 | 2840145823703 | | 75-31-00 | 01 | 050 | 1 |
| 9550178980 | VF1976 | 135-3700-01 | 2840146007297 | | 75-31-00 | 01 | 050A | 1 |
| 9550179070 | VF2805 | EV 5649-0-04 | 4810145405908 | | 73-14-01 | 01 | 010B | 1 |
| 9550179130 | VF1976 | 1423-200 | 5930145550281 | | 73-23-08 | 03 | 310B | 1 |
| 9550179160 | VF1976 | 1604000-01 | 6680145778935 | | 77-12-00 | 01 | 010A | 3 |
| 9550179160 | VF1976 | 1604000-01 | 6680145778935 | | 77-12-00 | 01 | 010D | AD |
| 9550179190 | VF1976 | 1604300-01 | 6680145424087 | | 72-61-00 | 01 | 880A | 1 |
| 9550179190 | VF1976 | 1604300-01 | 6680145424087 | | 77-11-00 | 01 | 010A | 1 |
| 9550179560 | V98505 | 8576-3 | 5930015655845 | | 73-23-08 | 03 | 310C | 1 |
| 9550179690 | VF2805 | EV5649-0-05 | 4810145561679 | | 73-14-01 | 01 | 010C | 1 |
| 9550180120 | VF2805 | EV5649-1-00 | 4810145696520 | | 73-14-01 | 01 | 010D | 1 |
| 9550181650 | VF2805 | EV5692-4-00 | 4810145998423 | | 73-14-01 | 01 | 080B | 1 |
| 9550353600 | VF5496 | SC3536 | | | 72-43-00 | 01 | 460B | 2 |
| 9560114640 | VF0224 | 5JSFR50005 | 5310145227128 | | 72-15-20 | 01 | 026 | 6 |
| 9560115450 | V04171 | 71075-1 | 5330010435143 | | 72-61-00 | 01 | 390 | 1 |
| 9560115450 | V04171 | 71075-1 | 5330010435143 | | 72-61-00 | 01 | 440 | 1 |
| 9560116010 | V04171 | 021-517 | 5330010435206 | | 72-61-00 | 01 | 393 | 1 |
| 9560116010 | V04171 | 021-517 | 5330010435206 | | 72-61-00 | 01 | 443 | 1 |
| 9560116020 | V04171 | 026-517 | 5330010435209 | | 72-61-00 | 01 | 394 | 1 |
| 9560116020 | V04171 | 026-517 | 5330010435209 | | 72-61-00 | 01 | 444 | 1 |
| 9560117610 | VF0215 | 9560117610 | 5340143298280 | | 71-51-00 | 01 | 076B | 1 |
| 9560117610 | VF0355 | 58 0 171 002 | 5340143298280 | | 71-51-00 | 01 | 076B | 1 |
| 9560119880 | VF0224 | 5SMF5209M | 5310143502850 | | 72-32-10 | 02 | 050 | 3 |
| 9560125160 | VF6275 | C6048-25.B-ISO | 5342144008169 | | 75-31-00 | 01 | 052 | 1 |
| 9560128730 | VF0224 | 5080LATE10CMK-BD | 5340144839462 | | 72-70-00 | 01 | 240 | 7 |
| 9560130220 | VF0215 | 8TX200BS | 4730143029979 | | 71-41-00 | 01 | 052 | 1 |
| 9560130220 | VF0215 | 8TX200BS | 4730143029979 | | 71-51-00 | 01 | 102 | 1 |
| 9560130220 | VF0215 | 8TX200BS | 4730143029979 | | 71-51-00 | 01 | 142 | 1 |
| 9560130220 | VF0215 | 8TX200BS | 4730143029979 | | 72-61-00 | 01 | 850 | 1 |
| 9560131840 | V04171 | 79008-3 | 2840016237069 | | 72-61-20 | 01 | 122A | 1 |
| 9560133940 | VFAAM1 | TYZ25M | 5975010505225 | | 71-51-00 | 01 | 095 | 3 |
| 9560133940 | VF6728 | TYZ25M | 5975010505225 | | 71-51-00 | 01 | 095 | 3 |
| 9560133940 | VFAAM1 | TYZ25M | 5975010505225 | | 71-51-00 | 01 | 096 | 1 |
| 9560133940 | VF6728 | TYZ25M | 5975010505225 | | 71-51-00 | 01 | 096 | 1 |
| 9560133940 | VFAAM1 | TYZ25M | 5975010505225 | | 71-51-00 | 01 | 097 | 2 |
| 9560133940 | VF6728 | TYZ25M | 5975010505225 | | 71-51-00 | 01 | 097 | 2 |
| 9560133940 | VFAAM1 | TYZ25M | 5975010505225 | | 71-51-00 | 01 | 098 | 7 |
| 9560133940 | VF6728 | TYZ25M | 5975010505225 | | 71-51-00 | 01 | 098 | 7 |
| 9560134100 | V04171 | 79008-1 | 5330013675804 | | 72-61-20 | 01 | 122 | 1 |
| 9560140340 | V04171 | 140-517 | 5330010852785 | | 72-61-20 | 01 | 123 | 1 |
| 9560140350 | V04171 | 146517 | 5331001727188 | | 72-61-20 | 01 | 124 | 1 |
| 9560142440 | V04171 | 140-567 | 5331016237068 | | 72-61-20 | 01 | 123A | 1 |
| 9560142450 | V04171 | 146-567 | 5331016237071 | | 72-61-20 | 01 | 124A | 1 |
| 9560151220 | VF0215 | 21F15 | 5340144192195 | | 71-51-00 | 01 | 054 | 1 |
| 9560151240 | VF0215 | 21F19 | 5340144192197 | | 71-51-00 | 01 | 060 | 1 |
| 9560151250 | VF0215 | 21F21 | 5340144192198 | | 71-51-00 | 01 | 060A | 1 |
| 9560154770 | VF0215 | 11N6 | 5340143668631 | | 75-29-00 | 01 | 506 | 3 |
| 9560156580 | V04171 | 140-547 | 5331016237068 | | 72-61-20 | 01 | 123B | 1 |
| 9560156880 | V04171 | 146-547 | 5331016237071 | | 72-61-20 | 01 | 124B | 1 |

SAFRAN HELICOPTER ENGINES

ARRIEL 2 C2

MAINTENANCE SPARE PARTS CATALOG

| SAFRAN HELICOPTER ENGINES P/N | MANUFACTURER | | NATO P/N | AIRLINE STOCK No. | CHAP. SECTION SUBJECT | FIG. | ITEM | QTY |
|-------------------------------------|--------------|-----------------------|---------------|----------------------|-----------------------------|------|------|-----|
| | CODE | P/N | | | | | | |
| 9560158450 | VK1209 | A17761-186-1 | 2840145804379 | | 72-43-30 | 01 | 110 | 2 |
| 9560158720 | V0051T | 62X2,5X2,5CB | 2840145785058 | | 72-43-10 | 01 | 200A | 2 |
| 9560158810 | VF2569 | R-62X2,5X2,5-SV-KI-PO | 2840145785058 | | 72-43-10 | 01 | 200 | 2 |
| 9560158950 | VF0355 | 580-181-020 | 5340144704084 | | 71-51-00 | 01 | 084 | 2 |
| 9560159030 | VF0229 | EX5639-61D6 | 5330145930355 | | 73-23-08 | 03 | 710 | 1 |
| 9560159030 | VU1068 | EX5639-61D6 | 5330145930355 | | 73-23-08 | 03 | 710 | 1 |
| 9560162070 | VF6409 | A22989-01 | 4720145782887 | | 79-29-00 | 01 | 200A | 1 |
| 9560163940 | VK1209 | A17761-241-2 | 2840998406414 | | 72-54-00 | 01 | 080 | 2 |
| 9560165040 | VF6409 | A22983-01 | 4720145782886 | | 79-29-00 | 01 | 200 | 1 |
| 9560165990 | VF0384 | OR10X2-70FFKM151400 | 5331145783534 | | 72-43-00 | 01 | 270 | 1 |
| 9560165990 | VF0384 | OR10X2-70FFKM151400 | 5331145783534 | | 72-43-00 | 01 | 280 | 1 |
| 9560165990 | VF0384 | OR10X2-70FFKM151400 | 5331145783534 | | 72-43-00 | 01 | 290 | 1 |
| 9560166210 | VF0215 | 9560166210 | 5340145227408 | | 71-51-00 | 01 | 040 | 3 |
| 9560166210 | VF0215 | 9560166210 | 5340145227408 | | 71-51-00 | 01 | 066 | 1 |
| 9560166220 | VF0215 | 9560166220 | 5340144844260 | | 71-51-00 | 01 | 072 | 2 |
| 9560166230 | VF0215 | 9560166230 | 5340144844261 | | 71-51-00 | 01 | 042 | 4 |
| 9560166240 | VF0215 | 9560166240 | 5340144844262 | | 71-51-00 | 01 | 044 | 2 |
| 9560166610 | VK1209 | A17761-126-2 | 2840994930274 | | 72-43-10 | 01 | 070 | 2 |
| 9560166810 | VF1253 | 3-12ZA00-921 | 5330145782858 | | 72-43-00 | 01 | 130 | 1 |
| 9560166810 | VF1253 | 3-12ZA00-921 | 5330145782858 | | 72-43-00 | 01 | 180 | 1 |
| 9560166810 | VF1253 | 3-12ZA00-921 | 5330145782858 | | 72-43-00 | 01 | 230 | 1 |
| 9560166860 | VF0559 | CA00525A | 2945145557700 | | 72-61-00 | 01 | 520 | 1 |
| 9560166910 | VF0559 | JA00537A | 2945145067140 | | 73-23-08 | 03 | 270 | 1 |
| 9560166950 | VF6285 | 9993160 | 4720145873372 | | 79-29-00 | 01 | 200B | 1 |
| 9560167230 | VF0183 | 28460 | 5365145784968 | | 72-61-00 | 01 | 900 | 1 |
| 9560168040 | VF0559 | JA00875A | 2945145209152 | | 72-61-00 | 01 | 460 | 1 |
| 9560169680 | VF0215 | 9560169680 | 5340145778912 | | 72-61-00 | 01 | 254 | 1 |
| 9560169680 | VF0215 | 9560169680 | 5340145778912 | | 73-23-00 | 01 | 024 | 1 |
| 9560170620 | VF9088 | 735-593-7410-11 | 2840145711972 | | 73-23-08 | 03 | 650 | 1 |
| 9560171610 | VF0559 | CAO1698A | 4330145550282 | | 73-23-08 | 03 | 150 | 1 |
| 9560174290 | VD8175 | 77612F1 | 5330123778285 | | 73-23-08 | 03 | 650A | 1 |
| 9560175240 | VF9756 | PLT2S-M76 | 5975010505225 | | 71-51-00 | 01 | 095A | 3 |
| 9560175240 | VF9756 | PLT2S-M76 | 5975010505225 | | 71-51-00 | 01 | 096A | 1 |
| 9560175240 | VF9756 | PLT2S-M76 | 5975010505225 | | 71-51-00 | 01 | 097A | 2 |
| 9560175240 | VF9756 | PLT2S-M76 | 5975010505225 | | 71-51-00 | 01 | 098A | 7 |
| 9560175960 | VF0355 | 580 101 191 | 5340145784988 | | 71-51-00 | 01 | 076A | 1 |
| 9560176660 | VF0384 | 49082243 | 5331145785176 | | 72-43-00 | 01 | 270A | 1 |
| 9560176660 | VF0384 | 49082243 | 5331145785176 | | 72-43-00 | 01 | 280A | 1 |
| 9560176660 | VF0384 | 49082243 | 5331145785176 | | 72-43-00 | 01 | 290A | 1 |
| 9560177090 | VFA3W9 | 50499002 | 4730145824243 | | 72-43-00 | 01 | 100A | 1 |
| 9560177090 | VFA3W9 | 50499002 | 4730145824243 | | 72-43-00 | 01 | 150A | 1 |
| 9560177090 | VFA3W9 | 50499002 | 4730145824243 | | 72-43-00 | 01 | 200A | 1 |
| 9560177240 | VFA3W9 | 30004937 | 5330145998427 | | 72-43-00 | 01 | 110 | 1 |
| 9560177240 | VFA3W9 | 30004937 | 5330145998427 | | 72-43-00 | 01 | 160 | 1 |
| 9560177240 | VFA3W9 | 30004937 | 5330145998427 | | 72-43-00 | 01 | 210 | 1 |
| 9560910020 | VD8175 | ISTJMB003327 | 5330123778285 | | 73-23-08 | 03 | 650B | 1 |
| 9562811260 | VF0215 | 21F9,5 | 5340145172142 | | 77-21-00 | 01 | 016A | 1 |
| 9562811260 | VF0215 | 21F9,5 | 5340145172142 | | 77-21-00 | 01 | 032 | 1 |
| 9562811300 | VF0215 | 21F6 | 5340144112406 | | 71-51-00 | 01 | 076 | 1 |
| 9562811300 | VF0215 | 21F6 | 5340144112406 | | 77-21-00 | 01 | 016 | 1 |
| 9564090020 | VF0224 | 5SMR4205 | 5310142863633 | | 72-00-00 | 01 | 132 | 2 |
| 9564090030 | VF0224 | 5SMR2205 | 5310142722264 | | 73-14-00 | 01 | 104 | 3 |
| 9564090030 | VF0224 | 5SMR2205 | 5310142722264 | | 74-11-10 | 01 | 120 | 5 |
| 9564090090 | VF0224 | 5 JSMR 20209 M | 5310142722265 | | 73-14-00 | 01 | 104A | 3 |
| 9564090090 | VF0224 | 5 JSMR 20209 M | 5310142722265 | | 74-11-10 | 01 | 120A | 5 |

SAFRAN HELICOPTER ENGINES

ARRIEL 2 C2

MAINTENANCE SPARE PARTS CATALOG

| SAFRAN HELICOPTER ENGINES P/N | MANUFACTURER | | NATO P/N | AIRLINE STOCK No. | CHAP. SECTION SUBJECT | FIG. | ITEM | QTY |
|-------------------------------------|--------------|-----------------------|---------------|----------------------|-----------------------------|------|------|-----|
| | CODE | P/N | | | | | | |
| 9590003191 | VF6071 | VERNELEC43022 | 5970144315279 | | 77-09-02 | 01 | 160 | AR |
| 9590043500 | VFASH4 | SVP52 | 8010145932782 | | 77-09-02 | 01 | 160A | AD |
| 9609000493 | VF0771 | CSNX28/4-05RH6SA20/30 | 3110145785125 | | 72-43-00 | 02 | 110 | 1 |
| 9681500404 | | | 5331144008189 | | 79-24-00 | 01 | 015 | 1 |
| 9681500404 | | | 5331144008189 | | 79-24-00 | 01 | 017 | 1 |
| 9681500404 | | | 5331144008189 | | 79-24-00 | 01 | 019 | 1 |
| 9681500504 | | | 5331144008190 | | 72-61-00 | 01 | 020 | 1 |
| 9681501054 | | | 5331144008193 | | 72-61-10 | 01 | 100 | 1 |
| 9681501153 | | | 5331144215611 | | 72-61-10 | 01 | 110 | 1 |
| 9681503502 | | | 5331145537478 | | 72-61-30 | 01 | 020 | 1 |
| 9681506552 | | | 5331144008197 | | 72-15-20 | 01 | 240 | 1 |
| 9681508502 | | | 5331144008200 | | 72-00-00 | 01 | 290 | 2 |
| 9681801222 | | | 5331143957057 | | 77-12-00 | 01 | 040 | 3 |
| 9681900573 | | | 5331143938330 | | 72-43-00 | 01 | 330 | 2 |
| 9682001372 | | | 5331144008204 | | 72-61-00 | 01 | 090 | 1 |
| 9682001372 | | | 5331144008204 | | 72-61-00 | 01 | 120 | 1 |
| 9682001605 | | | 5331142928948 | | 73-23-08 | 03 | 645 | 1 |
| 9682002402 | | | 5331143790646 | | 79-25-01 | 01 | 080 | 1 |
| 9682003092 | | | 5331144008207 | | 72-00-00 | 01 | 180 | 1 |
| 9682004004 | | | 5331143938331 | | 72-61-00 | 01 | 380 | 1 |
| 9682011203 | | | 5331144008209 | | 72-61-20 | 01 | 180 | 1 |
| 9682011652 | | | 5331144142830 | | 72-61-10 | 01 | 050 | 1 |
| 9682013102 | | | 5331144008210 | | 72-00-00 | 01 | 340 | 1 |
| 9682504402 | | | 5331144008212 | | 72-61-20 | 01 | 190 | 1 |
| 9682508403 | | | 5331144008214 | | 72-00-00 | 01 | 280 | 1 |
| 9683001083 | | | 5331144842522 | | 79-25-01 | 01 | 130 | 1 |
| 9728050803 | VI9005 | EN2944-050075 | 5325145348349 | | 72-32-10 | 02 | 020 | 1 |
| 9728050803 | VI9005 | EN2944-050075 | 5325145348349 | | 72-43-10 | 02 | 040 | 6 |
| 9728050803 | VI9005 | EN2944-050075 | 5325145348349 | | 72-61-00 | 01 | 502 | 2 |
| 9728050803 | VI9005 | EN2944-050075 | 5325145348349 | | 72-61-10 | 01 | 026 | 2 |
| 9728050804 | VI9005 | EN2944-050100 | 5325144128967 | | 72-15-20 | 02 | 010 | 18 |
| 9728050804 | VI9005 | EN2944-050100 | 5325144128967 | | 72-15-30 | 02 | 070 | 52 |
| 9728050804 | VI9005 | EN2944-050100 | 5325144128967 | | 72-61-40 | 01 | 105 | 12 |
| 9728050804 | VI9005 | EN2944-050100 | 5325144128967 | | 72-61-50 | 01 | 020 | 7 |
| 9728050804 | VI9005 | EN2944-050100 | 5325144128967 | | 72-61-50 | 01 | 130 | 42 |
| 9728050804 | VI9005 | EN2944-050100 | 5325144128967 | | 72-61-50 | 01 | 130A | 41 |
| 9728050804 | VI9005 | EN2944-050100 | 5325144128967 | | 72-61-50 | 01 | 260 | 47 |
| 9728050804 | VI9005 | EN2944-050100 | 5325144128967 | | 72-61-50 | 01 | 260A | 49 |
| 9728050805 | VI9005 | EN2944-050125 | 5325144128968 | | 72-00-00 | 01 | 152 | 1 |
| 9728061004 | VI9005 | EN2944-060120 | 5325144128971 | | 72-61-50 | 01 | 030 | 4 |
| 9728071004 | VI9005 | EN2944-070140 | 5325144125588 | | 72-15-20 | 02 | 020 | 6 |
| 9728081253 | VF1699 | 01329080501 | 5325144128973 | | 73-23-08 | 03 | 112 | 1 |
| 9729105082 | VI9005 | EN3542-050063 | 5325123891779 | | 72-43-00 | 02 | 175 | 14 |
| 9729105082 | VI9005 | EN3542-050063 | 5325123891779 | | 72-43-00 | 03 | 010 | 6 |
| 9729105082 | VI9005 | EN3542-050063 | 5325123891779 | | 72-43-00 | 03 | 010A | 4 |
| 9729105083 | VI9005 | EN3542-050075 | 5325144290271 | | 72-43-00 | 03 | 020 | 14 |
| 9729107101 | | | 5325145785013 | | 72-43-10 | 02 | 030 | 1 |
| 9740050022 | | | 5365143072042 | | 72-15-00 | 02 | 060 | 1 |
| 9740050022 | | | 5365143072042 | | 72-15-00 | 02 | 084 | 2 |
| 9745008005 | | | 5325140400494 | | 72-61-20 | 01 | 032 | 3 |
| 9749045031 | | | 5310143970898 | | 72-61-20 | 01 | 020 | 1 |
| 9752004044 | | | 5330142162794 | | 72-43-00 | 01 | 360 | 1 |
| 9752005044 | | | 5330140100890 | | 72-61-20 | 01 | 060 | 6 |
| 9752100070 | | | 5330145785023 | | 72-43-10 | 02 | 020 | 1 |
| 9752100080 | | | 5330140323858 | | 73-19-00 | 01 | 370 | 2 |

SAFRAN HELICOPTER ENGINES

ARRIEL 2 C2

MAINTENANCE SPARE PARTS CATALOG

| SAFRAN HELICOPTER ENGINES P/N | MANUFACTURER | | NATO P/N | AIRLINE STOCK No. | CHAP. SECTION SUBJECT | FIG. | ITEM | QTY |
|-------------------------------------|--------------|-------------|---------------|----------------------|-----------------------------|------|------|-----|
| | CODE | P/N | | | | | | |
| 9752100100 | | | 5330143451198 | | 75-29-00 | 01 | 560 | 1 |
| 9752100100 | | | 5330143451198 | | 75-31-00 | 01 | 080 | 1 |
| 9757030600 | | | 5315143216830 | | 72-43-10 | 01 | 155 | 2 |
| 9786510100 | | | 5365143934316 | | 75-31-00 | 01 | 070 | 1 |
| 9789221500 | | | 5340142137579 | | 71-91-00 | 01 | 100 | 1 |
| 9789221500 | | | 5340142137579 | | 71-91-00 | 01 | 165 | 1 |
| 9794080203 | | | 5331143790652 | | 75-31-00 | 01 | 100 | 1 |
| 9794080203 | | | 5331143790652 | | 75-31-00 | 01 | 180 | 1 |
| 9794095203 | | | 5331143938283 | | 72-00-00 | 01 | 360 | 2 |
| 9794095203 | | | 5331143938283 | | 72-61-10 | 01 | 130 | 1 |
| 9794172203 | | | 5331143914142 | | 72-00-00 | 01 | 350 | 1 |
| 9794172203 | | | 5331143914142 | | 72-61-10 | 01 | 080 | 1 |
| 9794190253 | | | 5331143957143 | | 72-15-00 | 01 | 140 | 1 |
| 9794190253 | | | 5331143957143 | | 72-15-00 | 01 | 160 | 1 |
| 9794190253 | | | 5331143957143 | | 72-61-00 | 01 | 180 | 1 |
| 9794190253 | | | 5331143957143 | | 72-61-00 | 01 | 210 | 1 |
| 9794410053 | VF0111 | 46012A00530 | 5331145488333 | | 73-23-08 | 03 | 610B | 1 |
| 9794410056 | VF0111 | 46012A00560 | 5331144191015 | | 71-71-00 | 01 | 040 | 1 |
| 9794410056 | VF0111 | 46012A00560 | 5331144191015 | | 72-15-00 | 01 | 080 | 1 |
| 9794410056 | VF0111 | 46012A00560 | 5331144191015 | | 73-19-00 | 01 | 320 | 1 |
| 9794410056 | VF0111 | 46012A00560 | 5331144191015 | | 73-19-00 | 01 | 440 | 1 |
| 9794410056 | VF0111 | 46012A00560 | 5331144191015 | | 75-29-00 | 01 | 440 | 1 |
| 9794410056 | VF0111 | 46012A00560 | 5331144191015 | | 75-29-00 | 01 | 490 | 1 |
| 9794410056 | VF0111 | 46012A00560 | 5331144191015 | | 79-29-00 | 01 | 030 | 1 |
| 9794410056 | VF0111 | 46012A00560 | 5331144191015 | | 79-29-00 | 01 | 230 | 2 |
| 9794410060 | VF0111 | 46012A00600 | 5331144819116 | | 72-32-10 | 01 | 360 | 1 |
| 9794410060 | VF0111 | 46012A00600 | 5331144819116 | | 72-61-00 | 01 | 144 | 1 |
| 9794410063 | VF0111 | 46012A00630 | 5331144677664 | | 73-23-08 | 02 | 195 | 1 |
| 9794410069 | VF0111 | 46012A00690 | 5331144290275 | | 72-15-00 | 01 | 104 | 1 |
| 9794410075 | VF0111 | 46012A00750 | 5331144191016 | | 71-71-00 | 01 | 180 | 1 |
| 9794410075 | VF0111 | 46012A00750 | 5331144191016 | | 73-19-00 | 01 | 040 | 1 |
| 9794410075 | VF0111 | 46012A00750 | 5331144191016 | | 79-29-00 | 01 | 080 | 1 |
| 9794410075 | VF0111 | 46012A00750 | 5331144191016 | | 79-29-00 | 01 | 090 | 1 |
| 9794410075 | VF0111 | 46012A00750 | 5331144191016 | | 79-29-00 | 01 | 140 | 2 |
| 9794410075 | VF0111 | 46012A00750 | 5331144191016 | | 79-29-00 | 01 | 140A | 1 |
| 9794410075 | VF0111 | 46012A00750 | 5331144191016 | | 79-29-00 | 01 | 180 | 1 |
| 9794410085 | VF0111 | 46012A00850 | 5331145249967 | | 71-71-00 | 01 | 140 | 1 |
| 9794410088 | VF0111 | 46012A00875 | 5331144677666 | | 72-00-00 | 01 | 270 | 2 |
| 9794410095 | VF0111 | 46012A00950 | 5331144191017 | | 73-19-00 | 01 | 570 | 1 |
| 9794410095 | VF0111 | 46012A00950 | 5331144191017 | | 73-19-00 | 01 | 580 | 1 |
| 9794410095 | VF0111 | 46012A00950 | 5331144191017 | | 73-19-00 | 01 | 630 | 1 |
| 9794410095 | VF0111 | 46012A00950 | 5331144191017 | | 73-19-00 | 01 | 640 | 1 |
| 9794410100 | VF0111 | 46012A01000 | 5331144290277 | | 79-25-01 | 01 | 180 | 1 |
| 9794410100 | VF0111 | 46012A01000 | 5331144290277 | | 79-31-00 | 01 | 030 | 1 |
| 9794410106 | VF0111 | 46012A01060 | 5331144677668 | | 73-14-01 | 01 | 030 | 1 |
| 9794410106 | VF0111 | 46012A01060 | 5331144677668 | | 79-25-00 | 01 | 030 | 1 |
| 9794410118 | VF0111 | 46012A01180 | 5331144290279 | | 73-14-01 | 01 | 040 | 1 |
| 9794410125 | VF0111 | 46012A01250 | 5331144677669 | | 72-61-00 | 01 | 480 | 1 |
| 9794410125 | VF0111 | 46012A01250 | 5331144677669 | | 79-25-00 | 01 | 040 | 1 |
| 9794410132 | VF0111 | 46012A01320 | 5331144308930 | | 73-19-00 | 01 | 030 | 1 |
| 9794410140 | VF0111 | 46012A01400 | 5331144435923 | | 72-61-00 | 01 | 720 | 1 |
| 9794410140 | VF0111 | 46012A01400 | 5331144435923 | | 72-61-00 | 01 | 750 | 1 |
| 9794410140 | VF0111 | 46012A01400 | 5331144435923 | | 72-61-00 | 01 | 910 | 1 |
| 9794410140 | VF0111 | 46012A01400 | 5331144435923 | | 72-61-00 | 01 | 960 | 1 |
| 9794410140 | VF0111 | 46012A01400 | 5331144435923 | | 72-61-00 | 02 | 050 | 1 |

SAFRAN HELICOPTER ENGINES

ARRIEL 2 C2

MAINTENANCE SPARE PARTS CATALOG

| SAFRAN HELICOPTER ENGINES P/N | MANUFACTURER | | NATO P/N | AIRLINE STOCK No. | CHAP. SECTION SUBJECT | FIG. | ITEM | QTY |
|-------------------------------------|--------------|----------------|---------------|----------------------|-----------------------------|------|------|-----|
| | CODE | P/N | | | | | | |
| 9794410140 | VF0111 | 46012A01400 | 5331144435923 | | 73-14-01 | 01 | 050 | 1 |
| 9794410140 | VF0111 | 46012A01400 | 5331144435923 | | 73-14-01 | 01 | 100 | 1 |
| 9794410140 | VF0111 | 46012A01400 | 5331144435923 | | 77-11-00 | 01 | 040 | 1 |
| 9794410150 | VF0111 | 46012A01500 | 5331144191018 | | 73-14-01 | 01 | 110 | 1 |
| 9794410150 | VF0111 | 46012A01500 | 5331144191018 | | 79-24-00 | 01 | 130 | 1 |
| 9794410150 | VF0111 | 46012A01500 | 5331144191018 | | 79-25-00 | 01 | 130 | 1 |
| 9794410150 | VF0111 | 46012A01500 | 5331144191018 | | 79-29-00 | 01 | 340 | 1 |
| 9794410150 | VF0111 | 46012A01500 | 5331144191018 | | 79-29-00 | 01 | 430 | 1 |
| 9794410180 | VF0111 | 46012A01800 | 5331144677671 | | 72-61-00 | 01 | 473A | 1 |
| 9794410180 | VF0111 | 46012A01800 | 5331144677671 | | 72-61-00 | 01 | 490 | 1 |
| 9794410180 | VF0111 | 46012A01800 | 5331144677671 | | 72-61-00 | 02 | 060 | 1 |
| 9794410180 | VF0111 | 46012A01800 | 5331144677671 | | 73-23-08 | 03 | 283A | 1 |
| 9794410236 | VF0111 | 46012A02360 | 5331144364441 | | 73-23-08 | 03 | 620 | 1 |
| 9794410236 | VF0111 | 46012A02360 | 5331144364441 | | 79-38-00 | 01 | 050 | 1 |
| 9794410355 | VF0111 | 46012A03550 | 5331144677674 | | 72-61-00 | 01 | 420 | 1 |
| 9794410365 | VF0111 | 46012A03650 | 5331144695964 | | 72-61-00 | 01 | 430 | 1 |
| 9794410500 | VF0111 | 46012A05000 | 5331144191020 | | 72-61-00 | 01 | 690 | 1 |
| 9794410670 | VF0111 | 46012A06700 | 5331144677677 | | 79-24-01 | 01 | 450 | 2 |
| 9794410670 | VF0111 | 46012A06700 | 5331144677677 | | 79-24-01 | 01 | 450A | 1 |
| 9794410710 | VF0111 | 46012A07100 | 5331144710936 | | 79-24-01 | 01 | 450B | 1 |
| 9794420080 | VF0111 | 46012B00800 | 5331145228795 | | 79-38-00 | 01 | 032 | 1 |
| 9794420236 | VF0111 | 46012B02360 | 5331145561055 | | 72-61-00 | 01 | 580 | 1 |
| 9794420400 | VF0111 | 46012B04000 | 5331144755303 | | 72-61-00 | 01 | 510 | 1 |
| 9794420475 | VF0111 | 46012B04750 | 5331145067157 | | 73-23-08 | 03 | 130 | 1 |
| 9794420487 | VF0111 | 46012B04870 | 5331145782889 | | 72-61-00 | 01 | 570 | 1 |
| 9794420530 | VF0111 | 46012B05300 | 5331144710938 | | 73-23-08 | 03 | 140 | 1 |
| 9794420545 | VF0111 | 46012B05450 | 5331145782890 | | 73-23-08 | 03 | 140A | 1 |
| 9794420560 | VF0111 | 46012B05600 | 5331144191021 | | 72-61-00 | 01 | 620 | 1 |
| 9794420580 | VF0111 | 46012B05800 | 5331145785031 | | 72-61-00 | 01 | 610 | 1 |
| 9794430250 | VF0111 | 46012C02500 | 5331145067158 | | 72-61-00 | 01 | 530 | 2 |
| 9794430250 | VF0111 | 46012C02500 | 5331145067158 | | 73-23-08 | 03 | 160 | 2 |
| 9794710028 | | | 5331145556176 | | 73-23-08 | 03 | 700 | 1 |
| 9794710053 | | | 5331145823604 | | 73-23-08 | 02 | 020 | 1 |
| 9794710075 | | | 5331145545826 | | 73-23-08 | 02 | 180 | 1 |
| 9794710080 | | | 5331145488682 | | 73-23-08 | 02 | 185 | 1 |
| 9794710088 | | | 5331144858003 | | 73-23-08 | 02 | 190 | 1 |
| 9794710106 | | | 5331144252524 | | 73-23-08 | 03 | 330 | 1 |
| 9794710125 | | | 5331145488689 | | 73-23-08 | 03 | 240 | 1 |
| 9794710140 | | | 5331145488695 | | 73-23-08 | 03 | 250 | 1 |
| 9794710170 | | | 5331145674609 | | 73-23-08 | 03 | 290 | 1 |
| 9794710200 | | | 5331144858004 | | 73-23-08 | 03 | 300 | 1 |
| 9794710200 | | | 5331144858004 | | 73-23-08 | 03 | 655 | 1 |
| 9794710236 | | | 5331144900348 | | 73-23-08 | 03 | 620A | 1 |
| 9794710300 | | | 5331145563188 | | 73-23-08 | 03 | 690 | 1 |
| 9801041814 | VF0111 | 22125BC040018L | 5305143024436 | | 72-43-00 | 01 | 302 | 2 |
| 9806041425 | VF0111 | 22145CM040014E | 5305143388880 | | 73-23-08 | 02 | 014A | 1 |
| 9806051225 | VF0111 | 22145CM050012E | 5305143728162 | | 72-43-00 | 01 | 462 | 4 |
| 9806051425 | VF0111 | 22145CM050014E | 5305143678290 | | 72-43-00 | 01 | 552 | 4 |
| 9817041414 | VF0111 | 22209BC040014L | 5305142962728 | | 73-23-08 | 02 | 014 | 1 |
| 9817051414 | VF0111 | 22209BC050014L | 5305143249442 | | 72-61-30 | 01 | 010 | 4 |
| 9836005010 | VI9005 | EN2928-050010 | 5306145207002 | | 77-21-00 | 01 | 012 | 4 |
| 9836005010 | VI9005 | EN2928-050010 | 5306145207002 | | 77-21-00 | 01 | 022 | 4 |
| 9836405010 | VI9005 | EN3686050010 | 5306144695977 | | 77-22-01 | 01 | 032 | 3 |
| 9836405012 | VI9005 | EN3686050012 | 5306144695978 | | 71-41-00 | 01 | 010 | 3 |
| 9836405012 | VI9005 | EN3686050012 | 5306144695978 | | 71-51-00 | 01 | 048 | 1 |

SAFRAN HELICOPTER ENGINES

ARRIEL 2 C2

MAINTENANCE SPARE PARTS CATALOG

| SAFRAN HELICOPTER ENGINES P/N | MANUFACTURER | | NATO P/N | AIRLINE STOCK No. | CHAP. SECTION SUBJECT | FIG. | ITEM | QTY |
|-------------------------------------|--------------|--------------|---------------|----------------------|-----------------------------|------|------|-----|
| | CODE | P/N | | | | | | |
| 9836405012 | VI9005 | EN3686050012 | 5306144695978 | | 71-51-00 | 01 | 058 | 1 |
| 9836405012 | VI9005 | EN3686050012 | 5306144695978 | | 71-51-00 | 01 | 064 | 1 |
| 9836405012 | VI9005 | EN3686050012 | 5306144695978 | | 71-51-00 | 01 | 068 | 1 |
| 9836405012 | VI9005 | EN3686050012 | 5306144695978 | | 71-51-00 | 01 | 078 | 1 |
| 9836405012 | VI9005 | EN3686050012 | 5306144695978 | | 71-51-00 | 01 | 088 | 1 |
| 9836405012 | VI9005 | EN3686050012 | 5306144695978 | | 71-51-00 | 01 | 092 | 1 |
| 9836405012 | VI9005 | EN3686050012 | 5306144695978 | | 71-51-00 | 01 | 152 | 1 |
| 9836405012 | VI9005 | EN3686050012 | 5306144695978 | | 71-71-00 | 01 | 072 | 2 |
| 9836405012 | VI9005 | EN3686050012 | 5306144695978 | | 72-61-00 | 01 | 462 | 2 |
| 9836405012 | VI9005 | EN3686050012 | 5306144695978 | | 73-23-08 | 03 | 090 | 1 |
| 9836405012 | VI9005 | EN3686050012 | 5306144695978 | | 74-11-10 | 01 | 012 | 4 |
| 9836405012 | VI9005 | EN3686050012 | 5306144695978 | | 75-29-00 | 01 | 202 | 2 |
| 9836405012 | VI9005 | EN3686050012 | 5306144695978 | | 75-29-00 | 01 | 252 | 2 |
| 9836405012 | VI9005 | EN3686050012 | 5306144695978 | | 75-29-00 | 01 | 454 | 1 |
| 9836405012 | VI9005 | EN3686050012 | 5306144695978 | | 75-29-00 | 01 | 502A | 3 |
| 9836405012 | VI9005 | EN3686050012 | 5306144695978 | | 79-29-00 | 01 | 302A | 1 |
| 9836405014 | VI9005 | EN3686050014 | 5306144677687 | | 26-11-00 | 01 | 012 | 3 |
| 9836405014 | VI9005 | EN3686050014 | 5306144677687 | | 26-11-00 | 01 | 052 | 2 |
| 9836405014 | VI9005 | EN3686050014 | 5306144677687 | | 26-11-00 | 01 | 102 | 3 |
| 9836405014 | VI9005 | EN3686050014 | 5306144677687 | | 26-11-00 | 01 | 202 | 3 |
| 9836405014 | VI9005 | EN3686050014 | 5306144677687 | | 71-71-00 | 01 | 012 | 1 |
| 9836405014 | VI9005 | EN3686050014 | 5306144677687 | | 71-71-00 | 01 | 152 | 1 |
| 9836405014 | VI9005 | EN3686050014 | 5306144677687 | | 71-71-00 | 01 | 164 | 2 |
| 9836405014 | VI9005 | EN3686050014 | 5306144677687 | | 72-15-20 | 01 | 012 | 6 |
| 9836405014 | VI9005 | EN3686050014 | 5306144677687 | | 72-32-10 | 01 | 490 | 3 |
| 9836405014 | VI9005 | EN3686050014 | 5306144677687 | | 72-43-00 | 01 | 612 | 2 |
| 9836405014 | VI9005 | EN3686050014 | 5306144677687 | | 72-43-10 | 01 | 140 | 8 |
| 9836405014 | VI9005 | EN3686050014 | 5306144677687 | | 72-61-00 | 01 | 072 | 1 |
| 9836405014 | VI9005 | EN3686050014 | 5306144677687 | | 72-61-00 | 01 | 102 | 1 |
| 9836405014 | VI9005 | EN3686050014 | 5306144677687 | | 72-61-00 | 01 | 402 | 1 |
| 9836405014 | VI9005 | EN3686050014 | 5306144677687 | | 72-61-00 | 01 | 702 | 1 |
| 9836405014 | VI9005 | EN3686050014 | 5306144677687 | | 72-61-00 | 01 | 732 | 1 |
| 9836405014 | VI9005 | EN3686050014 | 5306144677687 | | 72-61-00 | 01 | 832 | 2 |
| 9836405014 | VI9005 | EN3686050014 | 5306144677687 | | 72-61-00 | 01 | 882 | 1 |
| 9836405014 | VI9005 | EN3686050014 | 5306144677687 | | 72-61-00 | 01 | 942 | 1 |
| 9836405014 | VI9005 | EN3686050014 | 5306144677687 | | 73-19-00 | 01 | 012 | 2 |
| 9836405014 | VI9005 | EN3686050014 | 5306144677687 | | 73-19-00 | 01 | 014 | 2 |
| 9836405014 | VI9005 | EN3686050014 | 5306144677687 | | 73-19-00 | 01 | 302 | 2 |
| 9836405014 | VI9005 | EN3686050014 | 5306144677687 | | 73-19-00 | 01 | 402 | 2 |
| 9836405014 | VI9005 | EN3686050014 | 5306144677687 | | 73-19-00 | 01 | 450 | 1 |
| 9836405014 | VI9005 | EN3686050014 | 5306144677687 | | 73-19-00 | 01 | 552 | 4 |
| 9836405014 | VI9005 | EN3686050014 | 5306144677687 | | 73-19-00 | 01 | 602 | 4 |
| 9836405014 | VI9005 | EN3686050014 | 5306144677687 | | 73-23-08 | 02 | 172 | 2 |
| 9836405014 | VI9005 | EN3686050014 | 5306144677687 | | 73-23-08 | 03 | 222 | 2 |
| 9836405014 | VI9005 | EN3686050014 | 5306144677687 | | 73-23-08 | 03 | 272 | 2 |
| 9836405014 | VI9005 | EN3686050014 | 5306144677687 | | 73-23-08 | 03 | 312 | 2 |
| 9836405014 | VI9005 | EN3686050014 | 5306144677687 | | 75-29-00 | 01 | 012 | 2 |
| 9836405014 | VI9005 | EN3686050014 | 5306144677687 | | 75-29-00 | 01 | 202A | 2 |
| 9836405014 | VI9005 | EN3686050014 | 5306144677687 | | 75-29-00 | 01 | 252A | 2 |
| 9836405014 | VI9005 | EN3686050014 | 5306144677687 | | 75-29-00 | 01 | 302 | 2 |
| 9836405014 | VI9005 | EN3686050014 | 5306144677687 | | 75-29-00 | 01 | 402 | 2 |
| 9836405014 | VI9005 | EN3686050014 | 5306144677687 | | 75-29-00 | 01 | 452 | 4 |
| 9836405014 | VI9005 | EN3686050014 | 5306144677687 | | 75-29-00 | 01 | 502 | 3 |
| 9836405014 | VI9005 | EN3686050014 | 5306144677687 | | 75-29-00 | 01 | 510 | 2 |
| 9836405014 | VI9005 | EN3686050014 | 5306144677687 | | 77-11-00 | 01 | 012 | 1 |

SAFRAN HELICOPTER ENGINES

ARRIEL 2 C2

MAINTENANCE SPARE PARTS CATALOG

| SAFRAN HELICOPTER ENGINES P/N | MANUFACTURER | | NATO P/N | AIRLINE STOCK No. | CHAP. SECTION SUBJECT | FIG. | ITEM | QTY |
|-------------------------------------|--------------|--------------|---------------|----------------------|-----------------------------|------|------|-----|
| | CODE | P/N | | | | | | |
| 9836405014 | VI9005 | EN3686050014 | 5306144677687 | | 77-21-00 | 01 | 028 | 1 |
| 9836405014 | VI9005 | EN3686050014 | 5306144677687 | | 79-29-00 | 01 | 012 | 2 |
| 9836405014 | VI9005 | EN3686050014 | 5306144677687 | | 79-29-00 | 01 | 054 | 2 |
| 9836405014 | VI9005 | EN3686050014 | 5306144677687 | | 79-29-00 | 01 | 202A | 4 |
| 9836405014 | VI9005 | EN3686050014 | 5306144677687 | | 79-29-00 | 01 | 302 | 1 |
| 9836405014 | VI9005 | EN3686050014 | 5306144677687 | | 79-29-00 | 01 | 316 | 2 |
| 9836405014 | VI9005 | EN3686050014 | 5306144677687 | | 79-38-00 | 01 | 012 | 2 |
| 9836405016 | VI9005 | EN3686050016 | 5306144695979 | | 72-00-00 | 01 | 300 | 8 |
| 9836405016 | VI9005 | EN3686050016 | 5306144695979 | | 72-15-00 | 01 | 052 | 2 |
| 9836405016 | VI9005 | EN3686050016 | 5306144695979 | | 72-43-00 | 01 | 102 | 2 |
| 9836405016 | VI9005 | EN3686050016 | 5306144695979 | | 72-43-00 | 01 | 152 | 2 |
| 9836405016 | VI9005 | EN3686050016 | 5306144695979 | | 72-43-00 | 01 | 202 | 2 |
| 9836405016 | VI9005 | EN3686050016 | 5306144695979 | | 72-61-00 | 01 | 034 | 17 |
| 9836405016 | VI9005 | EN3686050016 | 5306144695979 | | 72-61-00 | 01 | 652 | 3 |
| 9836405016 | VI9005 | EN3686050016 | 5306144695979 | | 72-61-00 | 02 | 020 | 3 |
| 9836405016 | VI9005 | EN3686050016 | 5306144695979 | | 72-61-10 | 01 | 010 | 23 |
| 9836405016 | VI9005 | EN3686050016 | 5306144695979 | | 74-11-10 | 01 | 102 | 1 |
| 9836405016 | VI9005 | EN3686050016 | 5306144695979 | | 75-41-00 | 01 | 012 | 2 |
| 9836405016 | VI9005 | EN3686050016 | 5306144695979 | | 77-12-00 | 01 | 012 | 3 |
| 9836405016 | VI9005 | EN3686050016 | 5306144695979 | | 77-12-00 | 01 | 017 | 1 |
| 9836405016 | VI9005 | EN3686050016 | 5306144695979 | | 77-12-00 | 01 | 022 | 2 |
| 9836405016 | VI9005 | EN3686050016 | 5306144695979 | | 79-25-00 | 01 | 102 | 2 |
| 9836405016 | VI9005 | EN3686050016 | 5306144695979 | | 79-29-00 | 01 | 152 | 2 |
| 9836405016 | VI9005 | EN3686050016 | 5306144695979 | | 79-29-00 | 01 | 202 | 4 |
| 9836405016 | VI9005 | EN3686050016 | 5306144695979 | | 79-29-00 | 01 | 402 | 2 |
| 9836405016 | VI9005 | EN3686050016 | 5306144695979 | | 79-31-00 | 01 | 012 | 2 |
| 9836405018 | VI9005 | EN3686050018 | 5306144695980 | | 71-71-00 | 01 | 014 | 1 |
| 9836405018 | VI9005 | EN3686050018 | 5306144695980 | | 71-71-00 | 01 | 122 | 2 |
| 9836405018 | VI9005 | EN3686050018 | 5306144695980 | | 72-00-00 | 01 | 220 | 27 |
| 9836405018 | VI9005 | EN3686050018 | 5306144695980 | | 72-00-00 | 01 | 240 | 25 |
| 9836405018 | VI9005 | EN3686050018 | 5306144695980 | | 72-15-00 | 02 | 080 | 1 |
| 9836405018 | VI9005 | EN3686050018 | 5306144695980 | | 72-43-00 | 01 | 102A | 2 |
| 9836405018 | VI9005 | EN3686050018 | 5306144695980 | | 72-43-00 | 01 | 152A | 2 |
| 9836405018 | VI9005 | EN3686050018 | 5306144695980 | | 72-43-00 | 01 | 202A | 2 |
| 9836405018 | VI9005 | EN3686050018 | 5306144695980 | | 72-43-00 | 01 | 252 | 4 |
| 9836405018 | VI9005 | EN3686050018 | 5306144695980 | | 72-43-00 | 02 | 010 | 28 |
| 9836405018 | VI9005 | EN3686050018 | 5306144695980 | | 72-43-00 | 02 | 130 | 3 |
| 9836405018 | VI9005 | EN3686050018 | 5306144695980 | | 77-09-02 | 01 | 012 | 2 |
| 9836405018 | VI9005 | EN3686050018 | 5306144695980 | | 79-25-01 | 01 | 052 | 2 |
| 9836405020 | VI9005 | EN3686050020 | 5306144695981 | | 26-11-00 | 01 | 252 | 2 |
| 9836405020 | VI9005 | EN3686050020 | 5306144695981 | | 71-21-00 | 01 | 012 | 3 |
| 9836405020 | VI9005 | EN3686050020 | 5306144695981 | | 71-21-00 | 01 | 052 | 3 |
| 9836405020 | VI9005 | EN3686050020 | 5306144695981 | | 72-43-10 | 01 | 010 | 8 |
| 9836405020 | VI9005 | EN3686050020 | 5306144695981 | | 72-61-00 | 01 | 340 | 8 |
| 9836405022 | VI9005 | EN3686050022 | 5306144707600 | | 72-00-00 | 01 | 310 | 12 |
| 9836405022 | VI9005 | EN3686050022 | 5306144707600 | | 72-61-00 | 01 | 032 | 2 |
| 9836405022 | VI9005 | EN3686050022 | 5306144707600 | | 72-61-30 | 01 | 170 | 3 |
| 9836405024 | VI9005 | EN3686050024 | 5306144710939 | | 26-11-00 | 01 | 152 | 2 |
| 9836405024 | VI9005 | EN3686050024 | 5306144710939 | | 72-61-30 | 01 | 170A | 3 |
| 9836405024 | VI9005 | EN3686050024 | 5306144710939 | | 72-61-30 | 01 | 170B | 3 |
| 9836405024 | VI9005 | EN3686050024 | 5306144710939 | | 72-61-30 | 01 | 190 | 2 |
| 9836405026 | VI9005 | EN3686050026 | 5306144695982 | | 72-61-20 | 01 | 050 | 6 |
| 9836405026 | VI9005 | EN3686050026 | 5306144695982 | | 72-61-30 | 01 | 190A | 2 |
| 9836405026 | VI9005 | EN3686050026 | 5306144695982 | | 79-29-00 | 01 | 052 | 2 |
| 9836405050 | VI9005 | EN3686050050 | 5306145677622 | | 79-25-00 | 01 | 012 | 3 |

SAFRAN HELICOPTER ENGINES

ARRIEL 2 C2

MAINTENANCE SPARE PARTS CATALOG

| SAFRAN HELICOPTER ENGINES P/N | MANUFACTURER | | NATO P/N | AIRLINE STOCK No. | CHAP. SECTION SUBJECT | FIG. | ITEM | QTY |
|-------------------------------------|--------------|----------------|---------------|----------------------|-----------------------------|------|------|-----|
| | CODE | P/N | | | | | | |
| 9836407018 | VI9005 | EN3686070018 | 5306145781829 | | 72-15-20 | 01 | 212 | 6 |
| 9836505012 | VI9005 | EN3613-050012 | 5306996669703 | | 72-43-10 | 01 | 190 | 6 |
| 9836505012 | VI9005 | EN3613-050012 | 5306996669703 | | 72-70-00 | 01 | 010 | 2 |
| 9837105014 | VI9005 | EN3912-050014 | 5305145563242 | | 73-14-01 | 01 | 012B | 2 |
| 9837105014 | VI9005 | EN3912-050014 | 5305145563242 | | 73-14-01 | 01 | 082B | 2 |
| 9837105016 | VI9005 | EN3912-050016 | 5305145741102 | | 73-23-08 | 03 | 670B | 1 |
| 9837105018 | VI9005 | EN3912-050018 | 5305145563193 | | 73-23-08 | 03 | 670A | 4 |
| 9837105018 | VI9005 | EN3912-050018 | 5305145563193 | | 73-23-08 | 03 | 670C | 4 |
| 9837204014 | | | 5305145823773 | | 73-23-08 | 02 | 012A | 2 |
| 9837205014 | | | 5305145545829 | | 73-14-01 | 01 | 012A | 2 |
| 9837205014 | | | 5305145545829 | | 73-14-01 | 01 | 082A | 2 |
| 9847200800 | VF0111 | 22294CE020008E | 5305143925896 | | 77-09-02 | 01 | 030 | 2 |
| 9847300800 | VF0111 | 22294CE030008E | 5305143690832 | | 71-51-00 | 01 | 094 | 4 |
| 9847301000 | VF0111 | 22294CE030010E | 5305143937283 | | 77-22-01 | 01 | 052A | 4 |
| 9848301029 | VF0111 | 22296CF030010E | 5305143805827 | | 77-22-01 | 01 | 052B | 4 |
| 9848401429 | VF0111 | 22296CF040014E | 5305143934458 | | 73-23-08 | 02 | 012 | 2 |
| 9848501429 | VF0111 | 22296CF050014E | 5305143537114 | | 73-14-01 | 01 | 012 | 2 |
| 9848501429 | VF0111 | 22296CF050014E | 5305143537114 | | 73-14-01 | 01 | 082 | 2 |
| 9848501829 | VF0111 | 22296CF050018E | 5305143497257 | | 73-23-08 | 03 | 670 | 4 |
| 9866205025 | VI9005 | EN 2907-050 | 5310143790844 | | 72-61-00 | 01 | 654 | 1 |
| 9866205026 | VF0111 | 22526-050 | 5310143737064 | | 26-11-00 | 01 | 154 | 2 |
| 9866205026 | VI9005 | EN2906-050 | 5310143737064 | | 26-11-00 | 01 | 154 | 2 |
| 9866205026 | VF0111 | 22526-050 | 5310143737064 | | 26-11-00 | 01 | 254 | 2 |
| 9866205026 | VI9005 | EN2906-050 | 5310143737064 | | 26-11-00 | 01 | 254 | 2 |
| 9866205026 | VF0111 | 22526-050 | 5310143737064 | | 71-51-00 | 01 | 046 | 2 |
| 9866205026 | VI9005 | EN2906-050 | 5310143737064 | | 71-51-00 | 01 | 046 | 2 |
| 9866205026 | VF0111 | 22526-050 | 5310143737064 | | 71-51-00 | 01 | 080 | 1 |
| 9866205026 | VI9005 | EN2906-050 | 5310143737064 | | 71-51-00 | 01 | 080 | 1 |
| 9866205026 | VF0111 | 22526-050 | 5310143737064 | | 71-51-00 | 01 | 090 | 1 |
| 9866205026 | VI9005 | EN2906-050 | 5310143737064 | | 71-51-00 | 01 | 090 | 1 |
| 9866205026 | VF0111 | 22526-050 | 5310143737064 | | 71-71-00 | 01 | 154 | 1 |
| 9866205026 | VI9005 | EN2906-050 | 5310143737064 | | 71-71-00 | 01 | 154 | 1 |
| 9866205026 | VF0111 | 22526-050 | 5310143737064 | | 72-15-00 | 02 | 050 | 1 |
| 9866205026 | VI9005 | EN2906-050 | 5310143737064 | | 72-15-00 | 02 | 050 | 1 |
| 9866205026 | VF0111 | 22526-050 | 5310143737064 | | 72-15-00 | 02 | 082 | 2 |
| 9866205026 | VI9005 | EN2906-050 | 5310143737064 | | 72-15-00 | 02 | 082 | 2 |
| 9866205026 | VF0111 | 22526-050 | 5310143737064 | | 72-43-00 | 01 | 070 | 1 |
| 9866205026 | VI9005 | EN2906-050 | 5310143737064 | | 72-43-00 | 01 | 070 | 1 |
| 9866205026 | VF0111 | 22526-050 | 5310143737064 | | 72-43-00 | 01 | 070A | 2 |
| 9866205026 | VI9005 | EN2906-050 | 5310143737064 | | 72-43-00 | 01 | 070A | 2 |
| 9866205026 | VF0111 | 22526-050 | 5310143737064 | | 72-43-00 | 01 | 254 | 4 |
| 9866205026 | VI9005 | EN2906-050 | 5310143737064 | | 72-43-00 | 01 | 254 | 4 |
| 9866205026 | VF0111 | 22526-050 | 5310143737064 | | 72-43-00 | 02 | 030 | 28 |
| 9866205026 | VI9005 | EN2906-050 | 5310143737064 | | 72-43-00 | 02 | 030 | 28 |
| 9866205026 | VF0111 | 22526-050 | 5310143737064 | | 72-43-00 | 02 | 120 | 3 |
| 9866205026 | VI9005 | EN2906-050 | 5310143737064 | | 72-43-00 | 02 | 120 | 3 |
| 9866205026 | VF0111 | 22526-050 | 5310143737064 | | 72-43-10 | 01 | 130 | 8 |
| 9866205026 | VI9005 | EN2906-050 | 5310143737064 | | 72-43-10 | 01 | 130 | 8 |
| 9866205026 | VF0111 | 22526-050 | 5310143737064 | | 72-61-10 | 01 | 190 | 1 |
| 9866205026 | VI9005 | EN2906-050 | 5310143737064 | | 72-61-10 | 01 | 190 | 1 |
| 9866205026 | VF0111 | 22526-050 | 5310143737064 | | 72-61-30 | 01 | 150 | 4 |
| 9866205026 | VI9005 | EN2906-050 | 5310143737064 | | 72-61-30 | 01 | 150 | 4 |
| 9866205026 | VF0111 | 22526-050 | 5310143737064 | | 72-61-30 | 01 | 150A | 4 |
| 9866205026 | VI9005 | EN2906-050 | 5310143737064 | | 72-61-30 | 01 | 150A | 4 |
| 9866205026 | VF0111 | 22526-050 | 5310143737064 | | 72-61-30 | 01 | 150B | 4 |

SAFRAN HELICOPTER ENGINES

ARRIEL 2 C2

MAINTENANCE SPARE PARTS CATALOG

| SAFRAN HELICOPTER ENGINES P/N | MANUFACTURER | | NATO P/N | AIRLINE STOCK No. | CHAP. SECTION SUBJECT | FIG. | ITEM | QTY |
|-------------------------------------|--------------|-------------|---------------|----------------------|-----------------------------|------|------|-----|
| | CODE | P/N | | | | | | |
| 9866205026 | VI9005 | EN2906-050 | 5310143737064 | | 72-61-30 | 01 | 150B | 4 |
| 9866205026 | VF0111 | 22526-050 | 5310143737064 | | 72-61-30 | 01 | 152 | 1 |
| 9866205026 | VI9005 | EN2906-050 | 5310143737064 | | 72-61-30 | 01 | 152 | 1 |
| 9866205026 | VF0111 | 22526-050 | 5310143737064 | | 75-29-00 | 01 | 456 | 1 |
| 9866205026 | VI9005 | EN2906-050 | 5310143737064 | | 75-29-00 | 01 | 456 | 1 |
| 9866205026 | VF0111 | 22526-050 | 5310143737064 | | 75-29-00 | 01 | 504 | 3 |
| 9866205026 | VI9005 | EN2906-050 | 5310143737064 | | 75-29-00 | 01 | 504 | 3 |
| 9866205026 | VF0111 | 22526-050 | 5310143737064 | | 75-41-00 | 01 | 014 | 1 |
| 9866205026 | VI9005 | EN2906-050 | 5310143737064 | | 75-41-00 | 01 | 014 | 1 |
| 9866205026 | VF0111 | 22526-050 | 5310143737064 | | 77-21-00 | 01 | 030 | 1 |
| 9866205026 | VI9005 | EN2906-050 | 5310143737064 | | 77-21-00 | 01 | 030 | 1 |
| 9866205026 | VF0111 | 22526-050 | 5310143737064 | | 79-29-00 | 01 | 304 | 1 |
| 9866205026 | VI9005 | EN2906-050 | 5310143737064 | | 79-29-00 | 01 | 304 | 1 |
| 9867100400 | VF0111 | 22541N040 | 5310142525969 | | 72-43-00 | 01 | 304 | 2 |
| 9867201000 | | | 5310143957071 | | 75-31-00 | 01 | 110 | 1 |
| 9867400070 | VI9005 | EN3014-070 | 5310144793112 | | 72-61-00 | 01 | 050 | 10 |
| 9867500500 | VI9005 | EN3377-050 | 5310144290263 | | 71-21-00 | 01 | 014 | 3 |
| 9867500500 | VI9005 | EN3377-050 | 5310144290263 | | 72-00-00 | 01 | 250 | 27 |
| 9867500501 | VI9005 | EN3196-050 | 5310142663870 | | 75-31-00 | 01 | 054 | 1 |
| 9867600050 | VI9005 | EN2910-050 | 5310145659029 | | 72-43-10 | 02 | 010 | 8 |
| 9867700050 | VI9005 | EN3240-050 | 5310145023608 | | 71-41-00 | 01 | 020 | 3 |
| 9867700050 | VI9005 | EN3240-050 | 5310145023608 | | 71-51-00 | 01 | 070 | 1 |
| 9867700050 | VI9005 | EN3240-050 | 5310145023608 | | 71-51-00 | 01 | 130 | 2 |
| 9867700050 | VI9005 | EN3240-050 | 5310145023608 | | 71-51-00 | 01 | 154 | 1 |
| 9867700050 | VI9005 | EN3240-050 | 5310145023608 | | 72-61-00 | 01 | 862 | 2 |
| 9867700050 | VI9005 | EN3240-050 | 5310145023608 | | 73-19-00 | 01 | 485 | 1 |
| 9879045028 | | | 5310143180080 | | 72-61-20 | 01 | 010 | 1 |
| 9880400014 | | | 5310145223931 | | 72-43-00 | 02 | 090 | 1 |
| 9892100070 | | | 5365143760363 | | 72-15-00 | 01 | 150 | 1 |
| 9892100070 | | | 5365143760363 | | 72-61-00 | 01 | 200 | 1 |
| 9932307060 | | | 4730143653264 | | 79-29-00 | 01 | 070 | 1 |
| 9936300600 | | | 4730143920993 | | 75-29-00 | 01 | 550 | 1 |
| 9943800060 | | | 4730144844271 | | 72-15-00 | 01 | 050 | 1 |
| 9945000060 | | | 5330144677689 | | 75-29-00 | 01 | 030 | 1 |
| 9945000060 | | | 5330144677689 | | 75-29-00 | 01 | 230 | 1 |
| 9945000060 | | | 5330144677689 | | 75-29-00 | 01 | 320 | 1 |
| 9945000060 | | | 5330144677689 | | 75-29-00 | 01 | 430 | 1 |
| 9945000060 | | | 5330144677689 | | 75-29-00 | 01 | 480 | 1 |
| 9945000060 | | | 5330144677689 | | 75-29-00 | 01 | 530 | 1 |
| 9945000120 | | | 5330144677691 | | 71-71-00 | 01 | 090 | 1 |
| 9945000120 | | | 5330144677691 | | 72-43-00 | 01 | 620 | 1 |
| 9945000120 | | | 5330144677691 | | 75-29-00 | 01 | 280 | 1 |
| 9945300060 | | | 4730144704177 | | 75-29-00 | 01 | 200 | 1 |
| 9945300060 | | | 4730144704177 | | 75-29-00 | 01 | 300 | 1 |
| 9945300120 | | | 4920145782675 | | 72-43-00 | 01 | 610 | 1 |
| 9945300120 | | | 4920145782675 | | 75-29-00 | 01 | 250 | 1 |
| 9960240421 | VF0111 | 21215CA2404 | 5320143388388 | | 72-32-10 | 02 | 030 | 6 |
| 9961240521 | VF0111 | 21217CA2405 | 5320143497329 | | 72-15-20 | 01 | 028 | 12 |
| 9961240521 | VF0111 | 21217CA2405 | 5320143497329 | | 72-70-00 | 01 | 220 | 14 |
| 9961240621 | VF0111 | 21217CA2406 | 5320143078869 | | 72-00-00 | 01 | 134 | 4 |
| 9961240621 | VF0111 | 21217CA2406 | 5320143078869 | | 73-14-00 | 01 | 102 | 6 |
| 9961240621 | VF0111 | 21217CA2406 | 5320143078869 | | 74-11-10 | 01 | 122 | 10 |
| 9975050024 | VF0111 | 23112CF050 | 5310142828691 | | 72-43-00 | 01 | 080 | 1 |
| 9975050024 | VF0111 | 23112CF050 | 5310142828691 | | 72-43-00 | 01 | 080A | 2 |
| 9975050024 | VF0111 | 23112CF050 | 5310142828691 | | 72-43-00 | 02 | 020 | 3 |

SAFRAN HELICOPTER ENGINES

ARRIEL 2 C2

MAINTENANCE SPARE PARTS CATALOG

| SAFRAN HELICOPTER ENGINES P/N | MANUFACTURER | | NATO P/N | AIRLINE STOCK No. | CHAP. SECTION SUBJECT | FIG. | ITEM | QTY |
|-------------------------------------|--------------|------------|---------------|----------------------|-----------------------------|------|------|-----|
| | CODE | P/N | | | | | | |
| 9975050024 | VF0111 | 23112CF050 | 5310142828691 | | 72-70-00 | 01 | 030 | 2 |
| 9975050024 | VF0111 | 23112CF050 | 5310142828691 | | 74-11-10 | 01 | 104 | 1 |
| 9975050024 | VF0111 | 23112CF050 | 5310142828691 | | 75-29-00 | 01 | 458 | 1 |
| 9975050024 | VF0111 | 23112CF050 | 5310142828691 | | 79-25-00 | 01 | 014 | 2 |
| 9975050024 | VF0111 | 23112CF050 | 5310142828691 | | 79-25-01 | 01 | 054 | 2 |
| 9975050024 | VF0111 | 23112CF050 | 5310142828691 | | 79-29-00 | 01 | 306 | 1 |
| 9975070024 | | | 5310142941801 | | 72-15-20 | 01 | 214 | 6 |
| 9994050024 | | | 5365143180082 | | 72-32-10 | 01 | 335A | 1 |
| 9994050024 | | | 5365143180082 | | 72-32-10 | 01 | 340 | 1 |
| 9997405001 | VF0111 | 23320CA050 | 9505142649843 | | 79-29-00 | 01 | 102 | AR |
| 9997405001 | VF0111 | 23320CA050 | 9505142649843 | | 79-29-00 | 01 | 154 | AR |
| 9998050021 | VF0111 | 23350CA050 | 5310142095595 | | 71-41-00 | 01 | 054 | 1 |
| 9998050021 | VF0111 | 23350CA050 | 5310142095595 | | 71-51-00 | 01 | 104 | 1 |
| 9998050021 | VF0111 | 23350CA050 | 5310142095595 | | 71-51-00 | 01 | 144 | 1 |
| 9998050021 | VF0111 | 23350CA050 | 5310142095595 | | 72-43-00 | 01 | 464 | 4 |
| 9998050021 | VF0111 | 23350CA050 | 5310142095595 | | 72-43-00 | 01 | 554 | 4 |
| 9998050021 | VF0111 | 23350CA050 | 5310142095595 | | 72-61-00 | 01 | 252 | 1 |
| 9998050021 | VF0111 | 23350CA050 | 5310142095595 | | 72-61-00 | 01 | 855 | 1 |
| 9998050021 | VF0111 | 23350CA050 | 5310142095595 | | 73-23-00 | 01 | 022 | 1 |
| TM0206G003 | | | 4920145823645 | | 71-91-00 | 01 | 180 | 1 |
| TM1034G001 | | | 4920145316246 | | 71-91-00 | 01 | 060 | 1 |

ALPHANUMERICAL INDEX OF MANUFACTURER PART NUMBERS

| MANUFACTURER | | SAFRAN HELICOPTER ENGINES P/N | NATO P/N | AIRLINE STOCK No. | CHAP. SECTION SUBJECT | FIG. | ITEM | QTY |
|-----------------|--------|-------------------------------------|---------------|----------------------|-----------------------------|------|------|-----|
| P/N | CODE | | | | | | | |
| 01325164009 | VF1699 | 0000190420 | 4730145229693 | | 79-29-00 | 01 | 112 | 1 |
| 01329080501 | VF1699 | 9728081253 | 5325144128973 | | 73-23-08 | 03 | 112 | 1 |
| 01329144001 | VF1699 | 0000190050 | 5325145998432 | | 79-29-00 | 01 | 112A | 1 |
| 021-517 | V04171 | 9560116010 | | | 72-61-00 | 01 | 393 | 1 |
| 021-517 | V04171 | 9560116010 | | | 72-61-00 | 01 | 443 | 1 |
| 026-517 | V04171 | 9560116020 | | | 72-61-00 | 01 | 394 | 1 |
| 026-517 | V04171 | 9560116020 | | | 72-61-00 | 01 | 444 | 1 |
| 07550200105559A | VF0559 | 9520011820 | 5365145462546 | | 72-61-00 | 01 | 471 | 1 |
| 07550200105559A | VF0559 | 9520011820 | 5365145462546 | | 73-23-08 | 03 | 281 | 1 |
| 07550200106559A | VF0559 | 9520011819 | 5365145462545 | | 72-61-00 | 01 | 470 | 1 |
| 07550200106559A | VF0559 | 9520011819 | 5365145462545 | | 73-23-08 | 03 | 280 | 1 |
| 1023.951.0 | VF1976 | 9520011849 | 4810145758648 | | 75-31-00 | 02 | 080 | 1 |
| 1091-203-0 | VF1976 | 9520010792 | 5365144283006 | | 75-31-00 | 02 | 010 | 1 |
| 1091.101.0 | VF1976 | 9520011847 | 5365145758649 | | 75-31-00 | 02 | 090 | 1 |
| 11N6 | VF0215 | 9560154770 | 5340143668631 | | 75-29-00 | 01 | 506 | 3 |
| 135-3700-01 | VF1976 | 9550178980 | 2840146007297 | | 75-31-00 | 01 | 050A | 1 |
| 1353700 | VF1976 | 9550178260 | 2840145823703 | | 75-31-00 | 01 | 050 | 1 |
| 140-517 | V04171 | 9560140340 | | | 72-61-20 | 01 | 123 | 1 |
| 140-547 | V04171 | 9560156580 | 5331016237068 | | 72-61-20 | 01 | 123B | 1 |
| 140-567 | V04171 | 9560142440 | 5331016237068 | | 72-61-20 | 01 | 123A | 1 |
| 1423-100 | VF1976 | 9550171990 | 5930145067052 | | 73-23-08 | 03 | 310 | 1 |
| 1423-200 | VF1976 | 9550179130 | 5930145550281 | | 73-23-08 | 03 | 310B | 1 |
| 146-547 | V04171 | 9560156880 | 5331016237071 | | 72-61-20 | 01 | 124B | 1 |
| 146-567 | V04171 | 9560142450 | 5331016237071 | | 72-61-20 | 01 | 124A | 1 |
| 146517 | V04171 | 9560140350 | | | 72-61-20 | 01 | 124 | 1 |
| 1604-000 | VF1976 | 9550177360 | 6680145778934 | | 77-12-00 | 01 | 010 | 3 |
| 1604-000 | VF1976 | 9550177360 | 6680145778934 | | 77-12-00 | 01 | 015 | 1 |
| 1604-000 | VF1976 | 9550177360 | 6680145778934 | | 77-12-00 | 01 | 020 | 2 |
| 1604-300 | VF1976 | 9550177390 | 6680145342774 | | 72-61-00 | 01 | 880 | 1 |
| 1604-300 | VF1976 | 9550177390 | 6680145342774 | | 77-11-00 | 01 | 010 | 1 |
| 1604000-01 | VF1976 | 9550179160 | 6680145778935 | | 77-12-00 | 01 | 010A | 3 |
| 1604000-01 | VF1976 | 9550179160 | 6680145778935 | | 77-12-00 | 01 | 010D | AD |
| 1604300-01 | VF1976 | 9550179190 | 6680145424087 | | 72-61-00 | 01 | 880A | 1 |
| 1604300-01 | VF1976 | 9550179190 | 6680145424087 | | 77-11-00 | 01 | 010A | 1 |
| 21215CA2404 | VF0111 | 9960240421 | 5320143388388 | | 72-32-10 | 02 | 030 | 6 |
| 21217CA2405 | VF0111 | 9961240521 | 5320143497329 | | 72-15-20 | 01 | 028 | 12 |
| 21217CA2405 | VF0111 | 9961240521 | 5320143497329 | | 72-70-00 | 01 | 220 | 14 |
| 21217CA2406 | VF0111 | 9961240621 | 5320143078869 | | 72-00-00 | 01 | 134 | 4 |
| 21217CA2406 | VF0111 | 9961240621 | 5320143078869 | | 73-14-00 | 01 | 102 | 6 |
| 21217CA2406 | VF0111 | 9961240621 | 5320143078869 | | 74-11-10 | 01 | 122 | 10 |
| 21F15 | VF0215 | 9560151220 | 5340144192195 | | 71-51-00 | 01 | 054 | 1 |
| 21F19 | VF0215 | 9560151240 | 5340144192197 | | 71-51-00 | 01 | 060 | 1 |
| 21F21 | VF0215 | 9560151250 | 5340144192198 | | 71-51-00 | 01 | 060A | 1 |
| 21F6 | VF0215 | 9562811300 | 5340144112406 | | 71-51-00 | 01 | 076 | 1 |
| 21F6 | VF0215 | 9562811300 | 5340144112406 | | 77-21-00 | 01 | 016 | 1 |
| 21F9,5 | VF0215 | 9562811260 | 5340145172142 | | 77-21-00 | 01 | 016A | 1 |
| 21F9,5 | VF0215 | 9562811260 | 5340145172142 | | 77-21-00 | 01 | 032 | 1 |
| 22125BC040018L | VF0111 | 9801041814 | 5305143024436 | | 72-43-00 | 01 | 302 | 2 |
| 22145CM040014E | VF0111 | 9806041425 | 5305143388880 | | 73-23-08 | 02 | 014A | 1 |
| 22145CM050012E | VF0111 | 9806051225 | 5305143728162 | | 72-43-00 | 01 | 462 | 4 |
| 22145CM050014E | VF0111 | 9806051425 | 5305143678290 | | 72-43-00 | 01 | 552 | 4 |
| 22209BC040014L | VF0111 | 9817041414 | 5305142962728 | | 73-23-08 | 02 | 014 | 1 |

SAFRAN HELICOPTER ENGINES

ARRIEL 2 C2

MAINTENANCE SPARE PARTS CATALOG

| MANUFACTURER | | SAFRAN HELICOPTER ENGINES P/N | NATO P/N | AIRLINE STOCK No. | CHAP. SECTION SUBJECT | FIG. | ITEM | QTY |
|----------------|--------|-------------------------------------|---------------|----------------------|-----------------------------|------|------|-----|
| P/N | CODE | | | | | | | |
| 22209BC050014L | VF0111 | 9817051414 | 5305143249442 | | 72-61-30 | 01 | 010 | 4 |
| 22294CE020008E | VF0111 | 9847200800 | 5305143925896 | | 77-09-02 | 01 | 030 | 2 |
| 22294CE030008E | VF0111 | 9847300800 | 5305143690832 | | 71-51-00 | 01 | 094 | 4 |
| 22294CE030010E | VF0111 | 9847301000 | 5305143937283 | | 77-22-01 | 01 | 052A | 4 |
| 22296CF030010E | VF0111 | 9848301029 | 5305143805827 | | 77-22-01 | 01 | 052B | 4 |
| 22296CF040014E | VF0111 | 9848401429 | 5305143934458 | | 73-23-08 | 02 | 012 | 2 |
| 22296CF050014E | VF0111 | 9848501429 | 5305143537114 | | 73-14-01 | 01 | 012 | 2 |
| 22296CF050014E | VF0111 | 9848501429 | 5305143537114 | | 73-14-01 | 01 | 082 | 2 |
| 22296CF050018E | VF0111 | 9848501829 | 5305143497257 | | 73-23-08 | 03 | 670 | 4 |
| 22526-050 | VF0111 | 9866205026 | 5310143737064 | | 26-11-00 | 01 | 154 | 2 |
| 22526-050 | VF0111 | 9866205026 | 5310143737064 | | 26-11-00 | 01 | 254 | 2 |
| 22526-050 | VF0111 | 9866205026 | 5310143737064 | | 71-51-00 | 01 | 046 | 2 |
| 22526-050 | VF0111 | 9866205026 | 5310143737064 | | 71-51-00 | 01 | 080 | 1 |
| 22526-050 | VF0111 | 9866205026 | 5310143737064 | | 71-51-00 | 01 | 090 | 1 |
| 22526-050 | VF0111 | 9866205026 | 5310143737064 | | 71-71-00 | 01 | 154 | 1 |
| 22526-050 | VF0111 | 9866205026 | 5310143737064 | | 72-15-00 | 02 | 050 | 1 |
| 22526-050 | VF0111 | 9866205026 | 5310143737064 | | 72-15-00 | 02 | 082 | 2 |
| 22526-050 | VF0111 | 9866205026 | 5310143737064 | | 72-43-00 | 01 | 070 | 1 |
| 22526-050 | VF0111 | 9866205026 | 5310143737064 | | 72-43-00 | 01 | 070A | 2 |
| 22526-050 | VF0111 | 9866205026 | 5310143737064 | | 72-43-00 | 01 | 254 | 4 |
| 22526-050 | VF0111 | 9866205026 | 5310143737064 | | 72-43-00 | 02 | 030 | 28 |
| 22526-050 | VF0111 | 9866205026 | 5310143737064 | | 72-43-00 | 02 | 120 | 3 |
| 22526-050 | VF0111 | 9866205026 | 5310143737064 | | 72-43-10 | 01 | 130 | 8 |
| 22526-050 | VF0111 | 9866205026 | 5310143737064 | | 72-61-10 | 01 | 190 | 1 |
| 22526-050 | VF0111 | 9866205026 | 5310143737064 | | 72-61-30 | 01 | 150 | 4 |
| 22526-050 | VF0111 | 9866205026 | 5310143737064 | | 72-61-30 | 01 | 150A | 4 |
| 22526-050 | VF0111 | 9866205026 | 5310143737064 | | 72-61-30 | 01 | 150B | 4 |
| 22526-050 | VF0111 | 9866205026 | 5310143737064 | | 72-61-30 | 01 | 152 | 1 |
| 22526-050 | VF0111 | 9866205026 | 5310143737064 | | 75-29-00 | 01 | 456 | 1 |
| 22526-050 | VF0111 | 9866205026 | 5310143737064 | | 75-29-00 | 01 | 504 | 3 |
| 22526-050 | VF0111 | 9866205026 | 5310143737064 | | 75-41-00 | 01 | 014 | 1 |
| 22526-050 | VF0111 | 9866205026 | 5310143737064 | | 77-21-00 | 01 | 030 | 1 |
| 22526-050 | VF0111 | 9866205026 | 5310143737064 | | 79-29-00 | 01 | 304 | 1 |
| 22541N040 | VF0111 | 9867100400 | 5310142525969 | | 72-43-00 | 01 | 304 | 2 |
| 2300422 | VF1976 | 9520002300 | 6620145758639 | | 75-31-00 | 02 | 130A | 1 |
| 23112CF050 | VF0111 | 9975050024 | 5310142828691 | | 72-43-00 | 01 | 080 | 1 |
| 23112CF050 | VF0111 | 9975050024 | 5310142828691 | | 72-43-00 | 01 | 080A | 2 |
| 23112CF050 | VF0111 | 9975050024 | 5310142828691 | | 72-43-00 | 02 | 020 | 3 |
| 23112CF050 | VF0111 | 9975050024 | 5310142828691 | | 72-70-00 | 01 | 030 | 2 |
| 23112CF050 | VF0111 | 9975050024 | 5310142828691 | | 74-11-10 | 01 | 104 | 1 |
| 23112CF050 | VF0111 | 9975050024 | 5310142828691 | | 75-29-00 | 01 | 458 | 1 |
| 23112CF050 | VF0111 | 9975050024 | 5310142828691 | | 79-25-00 | 01 | 014 | 2 |
| 23112CF050 | VF0111 | 9975050024 | 5310142828691 | | 79-25-01 | 01 | 054 | 2 |
| 23112CF050 | VF0111 | 9975050024 | 5310142828691 | | 79-29-00 | 01 | 306 | 1 |
| 23320CA050 | VF0111 | 9997405001 | 9505142649843 | | 79-29-00 | 01 | 102 | AR |
| 23320CA050 | VF0111 | 9997405001 | 9505142649843 | | 79-29-00 | 01 | 154 | AR |
| 23350CA050 | VF0111 | 9998050021 | 5310142095595 | | 71-41-00 | 01 | 054 | 1 |
| 23350CA050 | VF0111 | 9998050021 | 5310142095595 | | 71-51-00 | 01 | 104 | 1 |
| 23350CA050 | VF0111 | 9998050021 | 5310142095595 | | 71-51-00 | 01 | 144 | 1 |
| 23350CA050 | VF0111 | 9998050021 | 5310142095595 | | 72-43-00 | 01 | 464 | 4 |
| 23350CA050 | VF0111 | 9998050021 | 5310142095595 | | 72-43-00 | 01 | 554 | 4 |
| 23350CA050 | VF0111 | 9998050021 | 5310142095595 | | 72-61-00 | 01 | 252 | 1 |
| 23350CA050 | VF0111 | 9998050021 | 5310142095595 | | 72-61-00 | 01 | 855 | 1 |
| 23350CA050 | VF0111 | 9998050021 | 5310142095595 | | 73-23-00 | 01 | 022 | 1 |
| 2751-000 | VF1976 | 9520011854 | 4730145489996 | | 75-31-00 | 02 | 040 | 1 |

Alphanumerical index of manufacturer part numbers

00-00-41

Page 2

Dec. 30/2023

SAFRAN HELICOPTER ENGINES

ARRIEL 2 C2

MAINTENANCE SPARE PARTS CATALOG

| MANUFACTURER | | SAFRAN HELICOPTER ENGINES P/N | NATO P/N | AIRLINE STOCK No. | CHAP. SECTION SUBJECT | FIG. | ITEM | QTY |
|--------------|--------|-------------------------------------|----------------|----------------------|-----------------------------|------|------|-----|
| P/N | CODE | | | | | | | |
| 28460 | VF0183 | 9560167230 | 5365145784968 | | 72-61-00 | 01 | 900 | 1 |
| 3-12ZA00-921 | VF1253 | 9560166810 | 5330145782858 | | 72-43-00 | 01 | 130 | 1 |
| 3-12ZA00-921 | VF1253 | 9560166810 | 5330145782858 | | 72-43-00 | 01 | 180 | 1 |
| 3-12ZA00-921 | VF1253 | 9560166810 | 5330145782858 | | 72-43-00 | 01 | 230 | 1 |
| 30004937 | VFA3W9 | 9560177240 | 5330145998427 | | 72-43-00 | 01 | 110 | 1 |
| 30004937 | VFA3W9 | 9560177240 | 5330145998427 | | 72-43-00 | 01 | 160 | 1 |
| 30004937 | VFA3W9 | 9560177240 | 5330145998427 | | 72-43-00 | 01 | 210 | 1 |
| 3162-936-0 | VF1976 | 9520011851 | 6620145758651 | | 75-31-00 | 02 | 130 | 1 |
| 32129001 | VFA3W9 | 9550177620 | | | 72-15-00 | 01 | 100 | 1 |
| 32129101 | VFA3W9 | 9520011691 | | | 72-15-00 | 01 | 102 | 1 |
| 32129201 | VFA3W9 | 9520011692 | | | 72-15-00 | 01 | 106 | 1 |
| 3300424 | VF1976 | 9520002000 | 1650146012905 | | 75-31-00 | 02 | 080A | 1 |
| 388Z-05644 | VS3866 | 9550000100 | 6680145823700 | | 77-12-00 | 01 | 010E | 3 |
| 46012A00530 | VF0111 | 9794410053 | 53311445488333 | | 73-23-08 | 03 | 610B | 1 |
| 46012A00560 | VF0111 | 9794410056 | 5331144191015 | | 71-71-00 | 01 | 040 | 1 |
| 46012A00560 | VF0111 | 9794410056 | 5331144191015 | | 72-15-00 | 01 | 080 | 1 |
| 46012A00560 | VF0111 | 9794410056 | 5331144191015 | | 73-19-00 | 01 | 320 | 1 |
| 46012A00560 | VF0111 | 9794410056 | 5331144191015 | | 73-19-00 | 01 | 440 | 1 |
| 46012A00560 | VF0111 | 9794410056 | 5331144191015 | | 75-29-00 | 01 | 440 | 1 |
| 46012A00560 | VF0111 | 9794410056 | 5331144191015 | | 75-29-00 | 01 | 490 | 1 |
| 46012A00560 | VF0111 | 9794410056 | 5331144191015 | | 79-29-00 | 01 | 030 | 1 |
| 46012A00560 | VF0111 | 9794410056 | 5331144191015 | | 79-29-00 | 01 | 230 | 2 |
| 46012A00600 | VF0111 | 9794410060 | 5331144819116 | | 72-32-10 | 01 | 360 | 1 |
| 46012A00600 | VF0111 | 9794410060 | 5331144819116 | | 72-61-00 | 01 | 144 | 1 |
| 46012A00630 | VF0111 | 9794410063 | 5331144677664 | | 73-23-08 | 02 | 195 | 1 |
| 46012A00690 | VF0111 | 9794410069 | 5331144290275 | | 72-15-00 | 01 | 104 | 1 |
| 46012A00750 | VF0111 | 9794410075 | 5331144191016 | | 71-71-00 | 01 | 180 | 1 |
| 46012A00750 | VF0111 | 9794410075 | 5331144191016 | | 73-19-00 | 01 | 040 | 1 |
| 46012A00750 | VF0111 | 9794410075 | 5331144191016 | | 79-29-00 | 01 | 080 | 1 |
| 46012A00750 | VF0111 | 9794410075 | 5331144191016 | | 79-29-00 | 01 | 090 | 1 |
| 46012A00750 | VF0111 | 9794410075 | 5331144191016 | | 79-29-00 | 01 | 140 | 2 |
| 46012A00750 | VF0111 | 9794410075 | 5331144191016 | | 79-29-00 | 01 | 140A | 1 |
| 46012A00750 | VF0111 | 9794410075 | 5331144191016 | | 79-29-00 | 01 | 180 | 1 |
| 46012A00850 | VF0111 | 9794410085 | 5331145249967 | | 71-71-00 | 01 | 140 | 1 |
| 46012A00875 | VF0111 | 9794410088 | 5331144677666 | | 72-00-00 | 01 | 270 | 2 |
| 46012A00950 | VF0111 | 9794410095 | 5331144191017 | | 73-19-00 | 01 | 570 | 1 |
| 46012A00950 | VF0111 | 9794410095 | 5331144191017 | | 73-19-00 | 01 | 580 | 1 |
| 46012A00950 | VF0111 | 9794410095 | 5331144191017 | | 73-19-00 | 01 | 630 | 1 |
| 46012A00950 | VF0111 | 9794410095 | 5331144191017 | | 73-19-00 | 01 | 640 | 1 |
| 46012A01000 | VF0111 | 9794410100 | 5331144290277 | | 79-25-01 | 01 | 180 | 1 |
| 46012A01000 | VF0111 | 9794410100 | 5331144290277 | | 79-31-00 | 01 | 030 | 1 |
| 46012A01060 | VF0111 | 9794410106 | 5331144677668 | | 73-14-01 | 01 | 030 | 1 |
| 46012A01060 | VF0111 | 9794410106 | 5331144677668 | | 79-25-00 | 01 | 030 | 1 |
| 46012A01180 | VF0111 | 9794410118 | 5331144290279 | | 73-14-01 | 01 | 040 | 1 |
| 46012A01250 | VF0111 | 9794410125 | 5331144677669 | | 72-61-00 | 01 | 480 | 1 |
| 46012A01250 | VF0111 | 9794410125 | 5331144677669 | | 79-25-00 | 01 | 040 | 1 |
| 46012A01320 | VF0111 | 9794410132 | 5331144308930 | | 73-19-00 | 01 | 030 | 1 |
| 46012A01400 | VF0111 | 9794410140 | 5331144435923 | | 72-61-00 | 01 | 720 | 1 |
| 46012A01400 | VF0111 | 9794410140 | 5331144435923 | | 72-61-00 | 01 | 750 | 1 |
| 46012A01400 | VF0111 | 9794410140 | 5331144435923 | | 72-61-00 | 01 | 910 | 1 |
| 46012A01400 | VF0111 | 9794410140 | 5331144435923 | | 72-61-00 | 01 | 960 | 1 |
| 46012A01400 | VF0111 | 9794410140 | 5331144435923 | | 72-61-00 | 02 | 050 | 1 |
| 46012A01400 | VF0111 | 9794410140 | 5331144435923 | | 73-14-01 | 01 | 050 | 1 |
| 46012A01400 | VF0111 | 9794410140 | 5331144435923 | | 73-14-01 | 01 | 100 | 1 |
| 46012A01400 | VF0111 | 9794410140 | 5331144435923 | | 77-11-00 | 01 | 040 | 1 |

Alphanumerical index of manufacturer part numbers

00-00-41

Page 3
Dec. 30/2023

SAFRAN HELICOPTER ENGINES

ARRIEL 2 C2

MAINTENANCE SPARE PARTS CATALOG

| MANUFACTURER | | SAFRAN HELICOPTER ENGINES P/N | NATO P/N | AIRLINE STOCK No. | CHAP. SECTION SUBJECT | FIG. | ITEM | QTY |
|------------------|--------|-------------------------------------|---------------|----------------------|-----------------------------|------|------|-----|
| P/N | CODE | | | | | | | |
| 46012A01500 | VF0111 | 9794410150 | 5331144191018 | | 73-14-01 | 01 | 110 | 1 |
| 46012A01500 | VF0111 | 9794410150 | 5331144191018 | | 79-24-00 | 01 | 130 | 1 |
| 46012A01500 | VF0111 | 9794410150 | 5331144191018 | | 79-25-00 | 01 | 130 | 1 |
| 46012A01500 | VF0111 | 9794410150 | 5331144191018 | | 79-29-00 | 01 | 340 | 1 |
| 46012A01500 | VF0111 | 9794410150 | 5331144191018 | | 79-29-00 | 01 | 430 | 1 |
| 46012A01800 | VF0111 | 9794410180 | 5331144677671 | | 72-61-00 | 01 | 473A | 1 |
| 46012A01800 | VF0111 | 9794410180 | 5331144677671 | | 72-61-00 | 01 | 490 | 1 |
| 46012A01800 | VF0111 | 9794410180 | 5331144677671 | | 72-61-00 | 02 | 060 | 1 |
| 46012A01800 | VF0111 | 9794410180 | 5331144677671 | | 73-23-08 | 03 | 283A | 1 |
| 46012A02360 | VF0111 | 9794410236 | 5331144364441 | | 73-23-08 | 03 | 620 | 1 |
| 46012A02360 | VF0111 | 9794410236 | 5331144364441 | | 79-38-00 | 01 | 050 | 1 |
| 46012A03550 | VF0111 | 9794410355 | 5331144677674 | | 72-61-00 | 01 | 420 | 1 |
| 46012A03650 | VF0111 | 9794410365 | 5331144695964 | | 72-61-00 | 01 | 430 | 1 |
| 46012A05000 | VF0111 | 9794410500 | 5331144191020 | | 72-61-00 | 01 | 690 | 1 |
| 46012A06700 | VF0111 | 9794410670 | 5331144677677 | | 79-24-01 | 01 | 450 | 2 |
| 46012A06700 | VF0111 | 9794410670 | 5331144677677 | | 79-24-01 | 01 | 450A | 1 |
| 46012A07100 | VF0111 | 9794410710 | 5331144710936 | | 79-24-01 | 01 | 450B | 1 |
| 46012B00800 | VF0111 | 9794420080 | 5331145228795 | | 79-38-00 | 01 | 032 | 1 |
| 46012B02360 | VF0111 | 9794420236 | 5331145561055 | | 72-61-00 | 01 | 580 | 1 |
| 46012B04000 | VF0111 | 9794420400 | 5331144755303 | | 72-61-00 | 01 | 510 | 1 |
| 46012B04750 | VF0111 | 9794420475 | 5331145067157 | | 73-23-08 | 03 | 130 | 1 |
| 46012B04870 | VF0111 | 9794420487 | 5331145782889 | | 72-61-00 | 01 | 570 | 1 |
| 46012B05300 | VF0111 | 9794420530 | 5331144710938 | | 73-23-08 | 03 | 140 | 1 |
| 46012B05450 | VF0111 | 9794420545 | 5331145782890 | | 73-23-08 | 03 | 140A | 1 |
| 46012B05600 | VF0111 | 9794420560 | 5331144191021 | | 72-61-00 | 01 | 620 | 1 |
| 46012B05800 | VF0111 | 9794420580 | 5331145785031 | | 72-61-00 | 01 | 610 | 1 |
| 46012C02500 | VF0111 | 9794430250 | 5331145067158 | | 72-61-00 | 01 | 530 | 2 |
| 46012C02500 | VF0111 | 9794430250 | 5331145067158 | | 73-23-08 | 03 | 160 | 2 |
| 4901-1 | VF9211 | 9550171750 | 5935145424078 | | 79-38-00 | 01 | 010 | 1 |
| 49082243 | VF0384 | 9560176660 | 5331145785176 | | 72-43-00 | 01 | 270A | 1 |
| 49082243 | VF0384 | 9560176660 | 5331145785176 | | 72-43-00 | 01 | 280A | 1 |
| 49082243 | VF0384 | 9560176660 | 5331145785176 | | 72-43-00 | 01 | 290A | 1 |
| 4910 | VF9211 | 9520011520 | 2995145228519 | | 79-38-00 | 01 | 034 | 1 |
| 4930-1 | VF9211 | 9520011546 | 2995145488865 | | 79-38-00 | 01 | 030 | 1 |
| 5 JSMR 20209 M | VF0224 | 9564090090 | 5310142722265 | | 73-14-00 | 01 | 104A | 3 |
| 5 JSMR 20209 M | VF0224 | 9564090090 | 5310142722265 | | 74-11-10 | 01 | 120A | 5 |
| 50499002 | VFA3W9 | 9560177090 | 4730145824243 | | 72-43-00 | 01 | 100A | 1 |
| 50499002 | VFA3W9 | 9560177090 | 4730145824243 | | 72-43-00 | 01 | 150A | 1 |
| 50499002 | VFA3W9 | 9560177090 | 4730145824243 | | 72-43-00 | 01 | 200A | 1 |
| 5080LATE10CMK-BD | VF0224 | 9560128730 | 5340144839462 | | 72-70-00 | 01 | 240 | 7 |
| 58 0 171 002 | VF0355 | 9560117610 | | | 71-51-00 | 01 | 076B | 1 |
| 580 101 191 | VF0355 | 9560175960 | 5340145784988 | | 71-51-00 | 01 | 076A | 1 |
| 580-181-020 | VF0355 | 9560158950 | 5340144704084 | | 71-51-00 | 01 | 084 | 2 |
| 5JSFR50005 | VF0224 | 9560114640 | 5310145227128 | | 72-15-20 | 01 | 026 | 6 |
| 5SMF5209M | VF0224 | 9560119880 | 5310143502850 | | 72-32-10 | 02 | 050 | 3 |
| 5SMR2205 | VF0224 | 9564090030 | 5310142722264 | | 73-14-00 | 01 | 104 | 3 |
| 5SMR2205 | VF0224 | 9564090030 | 5310142722264 | | 74-11-10 | 01 | 120 | 5 |
| 5SMR4205 | VF0224 | 9564090020 | 5310142863633 | | 72-00-00 | 01 | 132 | 2 |
| 610523-02 | V97424 | 9550172120 | 6695145782785 | | 77-12-00 | 01 | 010B | 3 |
| 62X2,5X2,5CB | V0051T | 9560158720 | 2840145785058 | | 72-43-10 | 01 | 200A | 2 |
| 71075-1 | V04171 | 9560115450 | 5330010435143 | | 72-61-00 | 01 | 390 | 1 |
| 71075-1 | V04171 | 9560115450 | 5330010435143 | | 72-61-00 | 01 | 440 | 1 |
| 735-593-7410-11 | VF9088 | 9560170620 | 2840145711972 | | 73-23-08 | 03 | 650 | 1 |
| 77612F1 | VD8175 | 9560174290 | 5330123778285 | | 73-23-08 | 03 | 650A | 1 |
| 79008-1 | V04171 | 9560134100 | | | 72-61-20 | 01 | 122 | 1 |

Alphanumerical index of manufacturer part numbers

00-00-41

Page 4

Dec. 30/2023

SAFRAN HELICOPTER ENGINES

ARRIEL 2 C2

MAINTENANCE SPARE PARTS CATALOG

| MANUFACTURER | | SAFRAN HELICOPTER ENGINES P/N | NATO P/N | AIRLINE STOCK No. | CHAP. SECTION SUBJECT | FIG. | ITEM | QTY |
|------------------|--------|-------------------------------------|---------------|----------------------|-----------------------------|------|------|-----|
| P/N | CODE | | | | | | | |
| 79008-3 | V04171 | 9560131840 | 2840016237069 | | 72-61-20 | 01 | 122A | 1 |
| 8576-2 | V98505 | 9550172810 | 5930015655846 | | 73-23-08 | 03 | 310A | 1 |
| 8576-3 | V98505 | 9550179560 | 5930015655845 | | 73-23-08 | 03 | 310C | 1 |
| 8585-1 | V98505 | 9550170040 | | | 79-31-00 | 01 | 010 | 1 |
| 8TX200BS | VF0215 | 9560130220 | 4730143029979 | | 71-41-00 | 01 | 052 | 1 |
| 8TX200BS | VF0215 | 9560130220 | 4730143029979 | | 71-51-00 | 01 | 102 | 1 |
| 8TX200BS | VF0215 | 9560130220 | 4730143029979 | | 71-51-00 | 01 | 142 | 1 |
| 8TX200BS | VF0215 | 9560130220 | 4730143029979 | | 72-61-00 | 01 | 850 | 1 |
| 9048205-302 | V59501 | 9550171580 | 2925015678027 | | 74-24-10 | 01 | 010 | 2 |
| 9193-035-0 | VF1976 | 9520011845 | 5331145724498 | | 75-31-00 | 02 | 070 | 1 |
| 9200-030-0 | VF1976 | 9520011774 | 5331145724495 | | 75-31-00 | 02 | 100 | 1 |
| 9220-004-0 | VF1976 | 9520010794 | 5330143300649 | | 75-31-00 | 02 | 020 | 1 |
| 9296-1 | VF7926 | 9550171410 | 2925145823698 | | 72-61-00 | 01 | 650 | 1 |
| 9296-2 | VF7926 | 9550002100 | 2925145823696 | | 72-61-00 | 01 | 650A | 1 |
| 93661-1 | V02101 | 9421003500 | 2925145823693 | | 72-61-00 | 01 | 650B | 1 |
| 9486-522 | VF1976 | 9520011853 | 5310145758653 | | 75-31-00 | 02 | 120 | 4 |
| 9486-523-0 | VF1976 | 9520011779 | 5310145492113 | | 75-31-00 | 02 | 060 | 4 |
| 9512-056-0 | VF1976 | 9520011783 | 5305145492575 | | 75-31-00 | 02 | 050A | 4 |
| 9512.057.0 | VF1976 | 9520011850 | 5305145758660 | | 75-31-00 | 02 | 050 | 4 |
| 9521-403-0 | VF1976 | 9520011852 | 5305145758663 | | 75-31-00 | 02 | 110 | 4 |
| 9560117610 | VF0215 | 9560117610 | 5340143298280 | | 71-51-00 | 01 | 076B | 1 |
| 9560166210 | VF0215 | 9560166210 | 5340145227408 | | 71-51-00 | 01 | 040 | 3 |
| 9560166210 | VF0215 | 9560166210 | 5340145227408 | | 71-51-00 | 01 | 066 | 1 |
| 9560166220 | VF0215 | 9560166220 | 5340144844260 | | 71-51-00 | 01 | 072 | 2 |
| 9560166230 | VF0215 | 9560166230 | 5340144844261 | | 71-51-00 | 01 | 042 | 4 |
| 9560166240 | VF0215 | 9560166240 | 5340144844262 | | 71-51-00 | 01 | 044 | 2 |
| 9560169680 | VF0215 | 9560169680 | 5340145778912 | | 72-61-00 | 01 | 254 | 1 |
| 9560169680 | VF0215 | 9560169680 | 5340145778912 | | 73-23-00 | 01 | 024 | 1 |
| 9900-277-0 | VF1976 | 9520010793 | 5360144283007 | | 75-31-00 | 02 | 030 | 1 |
| 9993160 | VF6285 | 9560166950 | 4720145873372 | | 79-29-00 | 01 | 200B | 1 |
| A17761-126-2 | VK1209 | 9560166610 | 2840994930274 | | 72-43-10 | 01 | 070 | 2 |
| A17761-186-1 | VK1209 | 9560158450 | 2840145804379 | | 72-43-30 | 01 | 110 | 2 |
| A17761-241-2 | VK1209 | 9560163940 | 2840998406414 | | 72-54-00 | 01 | 080 | 2 |
| A22983-01 | VF6409 | 9560165040 | 4720145782886 | | 79-29-00 | 01 | 200 | 1 |
| A22989-01 | VF6409 | 9560162070 | 4720145782887 | | 79-29-00 | 01 | 200A | 1 |
| AJ-0187701780EAO | VF0559 | 9520011818 | 5331144430196 | | 72-61-00 | 01 | 473 | 1 |
| AJ-0187701780EAO | VF0559 | 9520011818 | 5331144430196 | | 73-23-08 | 03 | 283 | 1 |
| APT190-13BAR-A | V34345 | 9550166140 | 6695015233452 | | 75-41-00 | 01 | 010 | 1 |
| AS12811 | VU1653 | 0400410010 | 5340142933960 | | 73-19-00 | 01 | 470 | 1 |
| AS12811 | VU1653 | 0400410010 | 5340142933960 | | 75-29-00 | 01 | 462 | 2 |
| AS12812 | VU1653 | 0400410020 | 5340143388782 | | 71-71-00 | 01 | 156 | 1 |
| AS12812 | VU1653 | 0400410020 | 5340143388782 | | 79-29-00 | 01 | 310 | 1 |
| AS12841 | VU1653 | 0400420010 | 5340142933961 | | 73-19-00 | 01 | 460 | 1 |
| AS12841 | VU1653 | 0400420010 | 5340142933961 | | 75-29-00 | 01 | 460 | 2 |
| AS12842 | VU1653 | 0400420020 | 5340143388786 | | 71-71-00 | 01 | 158 | 1 |
| AS12842 | VU1653 | 0400420020 | 5340143388786 | | 79-29-00 | 01 | 308 | 1 |
| AS12872 | VU1653 | 0400430060 | 5970142933962 | | 73-19-00 | 01 | 480 | 1 |
| AS12872 | VU1653 | 0400430060 | 5970142933962 | | 75-29-00 | 01 | 464 | 2 |
| AS12874 | VU1653 | 0400430080 | 5970143114657 | | 71-71-00 | 01 | 160 | 1 |
| AS12874 | VU1653 | 0400430080 | 5970143114657 | | 79-29-00 | 01 | 312 | 1 |
| BM1026 | VFA3W9 | 9550177210 | | | 72-61-00 | 01 | 140 | 1 |
| BM1026100 | VFA3W9 | 9520011649 | | | 72-61-00 | 01 | 142 | 1 |
| BM1026200 | VFA3W9 | 9520011648 | | | 72-61-00 | 01 | 146 | 1 |
| C6048-25.B-ISO | VF6275 | 9560125160 | 5342144008169 | | 75-31-00 | 01 | 052 | 1 |
| CA00525A | VF0559 | 9560166860 | 2945145557700 | | 72-61-00 | 01 | 520 | 1 |

SAFRAN HELICOPTER ENGINES

ARRIEL 2 C2

MAINTENANCE SPARE PARTS CATALOG

| MANUFACTURER | | SAFRAN HELICOPTER ENGINES P/N | NATO P/N | AIRLINE STOCK No. | CHAP. SECTION SUBJECT | FIG. | ITEM | QTY |
|-----------------------|--------|-------------------------------------|---------------|----------------------|-----------------------------|------|------|-----|
| P/N | CODE | | | | | | | |
| CAO1698A | VF0559 | 9560171610 | 4330145550282 | | 73-23-08 | 03 | 150 | 1 |
| CH34595 | V11583 | 9550168770 | | | 72-43-00 | 01 | 460A | 2 |
| CLB23060 | VF6840 | 9550171540 | 2925145550274 | | 74-24-10 | 01 | 010A | 2 |
| CSNX28/4-05RH6SA20/30 | VF0771 | 9609000493 | 3110145785125 | | 72-43-00 | 02 | 110 | 1 |
| CZ5MC6-3 | VF2276 | 9550171420 | 6620145067146 | | 75-41-00 | 01 | 010A | 1 |
| EN 2907-050 | VI9005 | 9866205025 | 5310143790844 | | 72-61-00 | 01 | 654 | 1 |
| EN2906-050 | VI9005 | 9866205026 | | | 26-11-00 | 01 | 154 | 2 |
| EN2906-050 | VI9005 | 9866205026 | | | 26-11-00 | 01 | 254 | 2 |
| EN2906-050 | VI9005 | 9866205026 | | | 71-51-00 | 01 | 046 | 2 |
| EN2906-050 | VI9005 | 9866205026 | | | 71-51-00 | 01 | 080 | 1 |
| EN2906-050 | VI9005 | 9866205026 | | | 71-51-00 | 01 | 090 | 1 |
| EN2906-050 | VI9005 | 9866205026 | | | 71-71-00 | 01 | 154 | 1 |
| EN2906-050 | VI9005 | 9866205026 | | | 72-15-00 | 02 | 050 | 1 |
| EN2906-050 | VI9005 | 9866205026 | | | 72-15-00 | 02 | 082 | 2 |
| EN2906-050 | VI9005 | 9866205026 | | | 72-43-00 | 01 | 070 | 1 |
| EN2906-050 | VI9005 | 9866205026 | | | 72-43-00 | 01 | 070A | 2 |
| EN2906-050 | VI9005 | 9866205026 | | | 72-43-00 | 01 | 254 | 4 |
| EN2906-050 | VI9005 | 9866205026 | | | 72-43-00 | 02 | 030 | 28 |
| EN2906-050 | VI9005 | 9866205026 | | | 72-43-00 | 02 | 120 | 3 |
| EN2906-050 | VI9005 | 9866205026 | | | 72-43-10 | 01 | 130 | 8 |
| EN2906-050 | VI9005 | 9866205026 | | | 72-61-10 | 01 | 190 | 1 |
| EN2906-050 | VI9005 | 9866205026 | | | 72-61-30 | 01 | 150 | 4 |
| EN2906-050 | VI9005 | 9866205026 | | | 72-61-30 | 01 | 150A | 4 |
| EN2906-050 | VI9005 | 9866205026 | | | 72-61-30 | 01 | 150B | 4 |
| EN2906-050 | VI9005 | 9866205026 | | | 72-61-30 | 01 | 152 | 1 |
| EN2906-050 | VI9005 | 9866205026 | | | 75-29-00 | 01 | 456 | 1 |
| EN2906-050 | VI9005 | 9866205026 | | | 75-29-00 | 01 | 504 | 3 |
| EN2906-050 | VI9005 | 9866205026 | | | 75-41-00 | 01 | 014 | 1 |
| EN2906-050 | VI9005 | 9866205026 | | | 77-21-00 | 01 | 030 | 1 |
| EN2906-050 | VI9005 | 9866205026 | | | 79-29-00 | 01 | 304 | 1 |
| EN2910-050 | VI9005 | 9867600050 | 5310145659029 | | 72-43-10 | 02 | 010 | 8 |
| EN2928-050010 | VI9005 | 9836005010 | 5306145207002 | | 77-21-00 | 01 | 012 | 4 |
| EN2928-050010 | VI9005 | 9836005010 | 5306145207002 | | 77-21-00 | 01 | 022 | 4 |
| EN2944-050075 | VI9005 | 9728050803 | 5325145348349 | | 72-32-10 | 02 | 020 | 1 |
| EN2944-050075 | VI9005 | 9728050803 | 5325145348349 | | 72-43-10 | 02 | 040 | 6 |
| EN2944-050075 | VI9005 | 9728050803 | 5325145348349 | | 72-61-00 | 01 | 502 | 2 |
| EN2944-050075 | VI9005 | 9728050803 | 5325145348349 | | 72-61-10 | 01 | 026 | 2 |
| EN2944-050100 | VI9005 | 9728050804 | 5325144128967 | | 72-15-20 | 02 | 010 | 18 |
| EN2944-050100 | VI9005 | 9728050804 | 5325144128967 | | 72-15-30 | 02 | 070 | 52 |
| EN2944-050100 | VI9005 | 9728050804 | 5325144128967 | | 72-61-40 | 01 | 105 | 12 |
| EN2944-050100 | VI9005 | 9728050804 | 5325144128967 | | 72-61-50 | 01 | 020 | 7 |
| EN2944-050100 | VI9005 | 9728050804 | 5325144128967 | | 72-61-50 | 01 | 130 | 42 |
| EN2944-050100 | VI9005 | 9728050804 | 5325144128967 | | 72-61-50 | 01 | 130A | 41 |
| EN2944-050100 | VI9005 | 9728050804 | 5325144128967 | | 72-61-50 | 01 | 260 | 47 |
| EN2944-050100 | VI9005 | 9728050804 | 5325144128967 | | 72-61-50 | 01 | 260A | 49 |
| EN2944-050125 | VI9005 | 9728050805 | 5325144128968 | | 72-00-00 | 01 | 152 | 1 |
| EN2944-060120 | VI9005 | 9728061004 | 5325144128971 | | 72-61-50 | 01 | 030 | 4 |
| EN2944-070140 | VI9005 | 9728071004 | 5325144125588 | | 72-15-20 | 02 | 020 | 6 |
| EN3014-070 | VI9005 | 9867400070 | 5310144793112 | | 72-61-00 | 01 | 050 | 10 |
| EN3196-050 | VI9005 | 9867500501 | 5310142663870 | | 75-31-00 | 01 | 054 | 1 |
| EN3240-050 | VI9005 | 9867700050 | 5310145023608 | | 71-41-00 | 01 | 020 | 3 |
| EN3240-050 | VI9005 | 9867700050 | 5310145023608 | | 71-51-00 | 01 | 070 | 1 |
| EN3240-050 | VI9005 | 9867700050 | 5310145023608 | | 71-51-00 | 01 | 130 | 2 |
| EN3240-050 | VI9005 | 9867700050 | 5310145023608 | | 71-51-00 | 01 | 154 | 1 |
| EN3240-050 | VI9005 | 9867700050 | 5310145023608 | | 72-61-00 | 01 | 862 | 2 |

Alphanumerical index of manufacturer part numbers

00-00-41

Page 6
Dec. 30/2023

SAFRAN HELICOPTER ENGINES

ARRIEL 2 C2

MAINTENANCE SPARE PARTS CATALOG

| MANUFACTURER | | SAFRAN HELICOPTER ENGINES P/N | NATO P/N | AIRLINE STOCK No. | CHAP. SECTION SUBJECT | FIG. | ITEM | QTY |
|---------------|--------|-------------------------------------|---------------|----------------------|-----------------------------|------|------|-----|
| P/N | CODE | | | | | | | |
| EN3240-050 | VI9005 | 9867700050 | 5310145023608 | | 73-19-00 | 01 | 485 | 1 |
| EN3377-050 | VI9005 | 9867500500 | 5310144290263 | | 71-21-00 | 01 | 014 | 3 |
| EN3377-050 | VI9005 | 9867500500 | 5310144290263 | | 72-00-00 | 01 | 250 | 27 |
| EN3542-050063 | VI9005 | 9729105082 | 5325123891779 | | 72-43-00 | 02 | 175 | 14 |
| EN3542-050063 | VI9005 | 9729105082 | 5325123891779 | | 72-43-00 | 03 | 010 | 6 |
| EN3542-050063 | VI9005 | 9729105082 | 5325123891779 | | 72-43-00 | 03 | 010A | 4 |
| EN3542-050075 | VI9005 | 9729105083 | 5325144290271 | | 72-43-00 | 03 | 020 | 14 |
| EN3613-050012 | VI9005 | 9836505012 | 5306996669703 | | 72-43-10 | 01 | 190 | 6 |
| EN3613-050012 | VI9005 | 9836505012 | 5306996669703 | | 72-70-00 | 01 | 010 | 2 |
| EN3686050010 | VI9005 | 9836405010 | 5306144695977 | | 77-22-01 | 01 | 032 | 3 |
| EN3686050012 | VI9005 | 9836405012 | 5306144695978 | | 71-41-00 | 01 | 010 | 3 |
| EN3686050012 | VI9005 | 9836405012 | 5306144695978 | | 71-51-00 | 01 | 048 | 1 |
| EN3686050012 | VI9005 | 9836405012 | 5306144695978 | | 71-51-00 | 01 | 058 | 1 |
| EN3686050012 | VI9005 | 9836405012 | 5306144695978 | | 71-51-00 | 01 | 064 | 1 |
| EN3686050012 | VI9005 | 9836405012 | 5306144695978 | | 71-51-00 | 01 | 068 | 1 |
| EN3686050012 | VI9005 | 9836405012 | 5306144695978 | | 71-51-00 | 01 | 078 | 1 |
| EN3686050012 | VI9005 | 9836405012 | 5306144695978 | | 71-51-00 | 01 | 088 | 1 |
| EN3686050012 | VI9005 | 9836405012 | 5306144695978 | | 71-51-00 | 01 | 092 | 1 |
| EN3686050012 | VI9005 | 9836405012 | 5306144695978 | | 71-51-00 | 01 | 152 | 1 |
| EN3686050012 | VI9005 | 9836405012 | 5306144695978 | | 71-71-00 | 01 | 072 | 2 |
| EN3686050012 | VI9005 | 9836405012 | 5306144695978 | | 72-61-00 | 01 | 462 | 2 |
| EN3686050012 | VI9005 | 9836405012 | 5306144695978 | | 73-23-08 | 03 | 090 | 1 |
| EN3686050012 | VI9005 | 9836405012 | 5306144695978 | | 74-11-10 | 01 | 012 | 4 |
| EN3686050012 | VI9005 | 9836405012 | 5306144695978 | | 75-29-00 | 01 | 202 | 2 |
| EN3686050012 | VI9005 | 9836405012 | 5306144695978 | | 75-29-00 | 01 | 252 | 2 |
| EN3686050012 | VI9005 | 9836405012 | 5306144695978 | | 75-29-00 | 01 | 454 | 1 |
| EN3686050012 | VI9005 | 9836405012 | 5306144695978 | | 75-29-00 | 01 | 502A | 3 |
| EN3686050012 | VI9005 | 9836405012 | 5306144695978 | | 79-29-00 | 01 | 302A | 1 |
| EN3686050014 | VI9005 | 9836405014 | 5306144677687 | | 26-11-00 | 01 | 012 | 3 |
| EN3686050014 | VI9005 | 9836405014 | 5306144677687 | | 26-11-00 | 01 | 052 | 2 |
| EN3686050014 | VI9005 | 9836405014 | 5306144677687 | | 26-11-00 | 01 | 102 | 3 |
| EN3686050014 | VI9005 | 9836405014 | 5306144677687 | | 26-11-00 | 01 | 202 | 3 |
| EN3686050014 | VI9005 | 9836405014 | 5306144677687 | | 71-71-00 | 01 | 012 | 1 |
| EN3686050014 | VI9005 | 9836405014 | 5306144677687 | | 71-71-00 | 01 | 152 | 1 |
| EN3686050014 | VI9005 | 9836405014 | 5306144677687 | | 71-71-00 | 01 | 164 | 2 |
| EN3686050014 | VI9005 | 9836405014 | 5306144677687 | | 72-15-20 | 01 | 012 | 6 |
| EN3686050014 | VI9005 | 9836405014 | 5306144677687 | | 72-32-10 | 01 | 490 | 3 |
| EN3686050014 | VI9005 | 9836405014 | 5306144677687 | | 72-43-00 | 01 | 612 | 2 |
| EN3686050014 | VI9005 | 9836405014 | 5306144677687 | | 72-43-10 | 01 | 140 | 8 |
| EN3686050014 | VI9005 | 9836405014 | 5306144677687 | | 72-61-00 | 01 | 072 | 1 |
| EN3686050014 | VI9005 | 9836405014 | 5306144677687 | | 72-61-00 | 01 | 102 | 1 |
| EN3686050014 | VI9005 | 9836405014 | 5306144677687 | | 72-61-00 | 01 | 402 | 1 |
| EN3686050014 | VI9005 | 9836405014 | 5306144677687 | | 72-61-00 | 01 | 702 | 1 |
| EN3686050014 | VI9005 | 9836405014 | 5306144677687 | | 72-61-00 | 01 | 732 | 1 |
| EN3686050014 | VI9005 | 9836405014 | 5306144677687 | | 72-61-00 | 01 | 832 | 2 |
| EN3686050014 | VI9005 | 9836405014 | 5306144677687 | | 72-61-00 | 01 | 882 | 1 |
| EN3686050014 | VI9005 | 9836405014 | 5306144677687 | | 72-61-00 | 01 | 942 | 1 |
| EN3686050014 | VI9005 | 9836405014 | 5306144677687 | | 73-19-00 | 01 | 012 | 2 |
| EN3686050014 | VI9005 | 9836405014 | 5306144677687 | | 73-19-00 | 01 | 014 | 2 |
| EN3686050014 | VI9005 | 9836405014 | 5306144677687 | | 73-19-00 | 01 | 302 | 2 |
| EN3686050014 | VI9005 | 9836405014 | 5306144677687 | | 73-19-00 | 01 | 402 | 2 |
| EN3686050014 | VI9005 | 9836405014 | 5306144677687 | | 73-19-00 | 01 | 450 | 1 |
| EN3686050014 | VI9005 | 9836405014 | 5306144677687 | | 73-19-00 | 01 | 552 | 4 |
| EN3686050014 | VI9005 | 9836405014 | 5306144677687 | | 73-19-00 | 01 | 602 | 4 |
| EN3686050014 | VI9005 | 9836405014 | 5306144677687 | | 73-23-08 | 02 | 172 | 2 |

SAFRAN HELICOPTER ENGINES

ARRIEL 2 C2

MAINTENANCE SPARE PARTS CATALOG

| MANUFACTURER | | SAFRAN HELICOPTER ENGINES P/N | NATO P/N | AIRLINE STOCK No. | CHAP. SECTION SUBJECT | FIG. | ITEM | QTY |
|--------------|--------|-------------------------------------|---------------|----------------------|-----------------------------|------|------|-----|
| P/N | CODE | | | | | | | |
| EN3686050014 | VI9005 | 9836405014 | 5306144677687 | | 73-23-08 | 03 | 222 | 2 |
| EN3686050014 | VI9005 | 9836405014 | 5306144677687 | | 73-23-08 | 03 | 272 | 2 |
| EN3686050014 | VI9005 | 9836405014 | 5306144677687 | | 73-23-08 | 03 | 312 | 2 |
| EN3686050014 | VI9005 | 9836405014 | 5306144677687 | | 75-29-00 | 01 | 012 | 2 |
| EN3686050014 | VI9005 | 9836405014 | 5306144677687 | | 75-29-00 | 01 | 202A | 2 |
| EN3686050014 | VI9005 | 9836405014 | 5306144677687 | | 75-29-00 | 01 | 252A | 2 |
| EN3686050014 | VI9005 | 9836405014 | 5306144677687 | | 75-29-00 | 01 | 302 | 2 |
| EN3686050014 | VI9005 | 9836405014 | 5306144677687 | | 75-29-00 | 01 | 402 | 2 |
| EN3686050014 | VI9005 | 9836405014 | 5306144677687 | | 75-29-00 | 01 | 452 | 4 |
| EN3686050014 | VI9005 | 9836405014 | 5306144677687 | | 75-29-00 | 01 | 502 | 3 |
| EN3686050014 | VI9005 | 9836405014 | 5306144677687 | | 75-29-00 | 01 | 510 | 2 |
| EN3686050014 | VI9005 | 9836405014 | 5306144677687 | | 77-11-00 | 01 | 012 | 1 |
| EN3686050014 | VI9005 | 9836405014 | 5306144677687 | | 77-21-00 | 01 | 028 | 1 |
| EN3686050014 | VI9005 | 9836405014 | 5306144677687 | | 79-29-00 | 01 | 012 | 2 |
| EN3686050014 | VI9005 | 9836405014 | 5306144677687 | | 79-29-00 | 01 | 054 | 2 |
| EN3686050014 | VI9005 | 9836405014 | 5306144677687 | | 79-29-00 | 01 | 202A | 4 |
| EN3686050014 | VI9005 | 9836405014 | 5306144677687 | | 79-29-00 | 01 | 302 | 1 |
| EN3686050014 | VI9005 | 9836405014 | 5306144677687 | | 79-29-00 | 01 | 316 | 2 |
| EN3686050014 | VI9005 | 9836405014 | 5306144677687 | | 79-29-00 | 01 | 316 | 2 |
| EN3686050014 | VI9005 | 9836405014 | 5306144677687 | | 79-38-00 | 01 | 012 | 2 |
| EN3686050016 | VI9005 | 9836405016 | 5306144695979 | | 72-00-00 | 01 | 300 | 8 |
| EN3686050016 | VI9005 | 9836405016 | 5306144695979 | | 72-15-00 | 01 | 052 | 2 |
| EN3686050016 | VI9005 | 9836405016 | 5306144695979 | | 72-43-00 | 01 | 102 | 2 |
| EN3686050016 | VI9005 | 9836405016 | 5306144695979 | | 72-43-00 | 01 | 152 | 2 |
| EN3686050016 | VI9005 | 9836405016 | 5306144695979 | | 72-43-00 | 01 | 202 | 2 |
| EN3686050016 | VI9005 | 9836405016 | 5306144695979 | | 72-61-00 | 01 | 034 | 17 |
| EN3686050016 | VI9005 | 9836405016 | 5306144695979 | | 72-61-00 | 01 | 652 | 3 |
| EN3686050016 | VI9005 | 9836405016 | 5306144695979 | | 72-61-00 | 02 | 020 | 3 |
| EN3686050016 | VI9005 | 9836405016 | 5306144695979 | | 72-61-10 | 01 | 010 | 23 |
| EN3686050016 | VI9005 | 9836405016 | 5306144695979 | | 74-11-10 | 01 | 102 | 1 |
| EN3686050016 | VI9005 | 9836405016 | 5306144695979 | | 75-41-00 | 01 | 012 | 2 |
| EN3686050016 | VI9005 | 9836405016 | 5306144695979 | | 77-12-00 | 01 | 012 | 3 |
| EN3686050016 | VI9005 | 9836405016 | 5306144695979 | | 77-12-00 | 01 | 017 | 1 |
| EN3686050016 | VI9005 | 9836405016 | 5306144695979 | | 77-12-00 | 01 | 022 | 2 |
| EN3686050016 | VI9005 | 9836405016 | 5306144695979 | | 79-25-00 | 01 | 102 | 2 |
| EN3686050016 | VI9005 | 9836405016 | 5306144695979 | | 79-29-00 | 01 | 152 | 2 |
| EN3686050016 | VI9005 | 9836405016 | 5306144695979 | | 79-29-00 | 01 | 202 | 4 |
| EN3686050016 | VI9005 | 9836405016 | 5306144695979 | | 79-29-00 | 01 | 402 | 2 |
| EN3686050016 | VI9005 | 9836405016 | 5306144695979 | | 79-31-00 | 01 | 012 | 2 |
| EN3686050018 | VI9005 | 9836405018 | 5306144695980 | | 71-71-00 | 01 | 014 | 1 |
| EN3686050018 | VI9005 | 9836405018 | 5306144695980 | | 71-71-00 | 01 | 122 | 2 |
| EN3686050018 | VI9005 | 9836405018 | 5306144695980 | | 72-00-00 | 01 | 220 | 27 |
| EN3686050018 | VI9005 | 9836405018 | 5306144695980 | | 72-00-00 | 01 | 240 | 25 |
| EN3686050018 | VI9005 | 9836405018 | 5306144695980 | | 72-15-00 | 02 | 080 | 1 |
| EN3686050018 | VI9005 | 9836405018 | 5306144695980 | | 72-43-00 | 01 | 102A | 2 |
| EN3686050018 | VI9005 | 9836405018 | 5306144695980 | | 72-43-00 | 01 | 152A | 2 |
| EN3686050018 | VI9005 | 9836405018 | 5306144695980 | | 72-43-00 | 01 | 202A | 2 |
| EN3686050018 | VI9005 | 9836405018 | 5306144695980 | | 72-43-00 | 01 | 252 | 4 |
| EN3686050018 | VI9005 | 9836405018 | 5306144695980 | | 72-43-00 | 02 | 010 | 28 |
| EN3686050018 | VI9005 | 9836405018 | 5306144695980 | | 72-43-00 | 02 | 130 | 3 |
| EN3686050018 | VI9005 | 9836405018 | 5306144695980 | | 77-09-02 | 01 | 012 | 2 |
| EN3686050018 | VI9005 | 9836405018 | 5306144695980 | | 79-25-01 | 01 | 052 | 2 |
| EN3686050020 | VI9005 | 9836405020 | 5306144695981 | | 26-11-00 | 01 | 252 | 2 |
| EN3686050020 | VI9005 | 9836405020 | 5306144695981 | | 71-21-00 | 01 | 012 | 3 |
| EN3686050020 | VI9005 | 9836405020 | 5306144695981 | | 71-21-00 | 01 | 052 | 3 |
| EN3686050020 | VI9005 | 9836405020 | 5306144695981 | | 72-43-10 | 01 | 010 | 8 |

Alphanumerical index of manufacturer part numbers

00-00-41

Page 8

Dec. 30/2023

SAFRAN HELICOPTER ENGINES

ARRIEL 2 C2

MAINTENANCE SPARE PARTS CATALOG

| MANUFACTURER | | SAFRAN HELICOPTER ENGINES P/N | NATO P/N | AIRLINE STOCK No. | CHAP. SECTION SUBJECT | FIG. | ITEM | QTY |
|-----------------------|--------|-------------------------------------|---------------|----------------------|-----------------------------|------|------|-----|
| P/N | CODE | | | | | | | |
| EN3686050020 | VI9005 | 9836405020 | 5306144695981 | | 72-61-00 | 01 | 340 | 8 |
| EN3686050022 | VI9005 | 9836405022 | 5306144707600 | | 72-00-00 | 01 | 310 | 12 |
| EN3686050022 | VI9005 | 9836405022 | 5306144707600 | | 72-61-00 | 01 | 032 | 2 |
| EN3686050022 | VI9005 | 9836405022 | 5306144707600 | | 72-61-30 | 01 | 170 | 3 |
| EN3686050024 | VI9005 | 9836405024 | 5306144710939 | | 26-11-00 | 01 | 152 | 2 |
| EN3686050024 | VI9005 | 9836405024 | 5306144710939 | | 72-61-30 | 01 | 170A | 3 |
| EN3686050024 | VI9005 | 9836405024 | 5306144710939 | | 72-61-30 | 01 | 170B | 3 |
| EN3686050024 | VI9005 | 9836405024 | 5306144710939 | | 72-61-30 | 01 | 190 | 2 |
| EN3686050026 | VI9005 | 9836405026 | 5306144695982 | | 72-61-20 | 01 | 050 | 6 |
| EN3686050026 | VI9005 | 9836405026 | 5306144695982 | | 72-61-30 | 01 | 190A | 2 |
| EN3686050026 | VI9005 | 9836405026 | 5306144695982 | | 79-29-00 | 01 | 052 | 2 |
| EN3686050050 | VI9005 | 9836405050 | 5306145677622 | | 79-25-00 | 01 | 012 | 3 |
| EN3686070018 | VI9005 | 9836407018 | 5306145781829 | | 72-15-20 | 01 | 212 | 6 |
| EN3912-050014 | VI9005 | 9837105014 | 5305145563242 | | 73-14-01 | 01 | 012B | 2 |
| EN3912-050014 | VI9005 | 9837105014 | 5305145563242 | | 73-14-01 | 01 | 082B | 2 |
| EN3912-050016 | VI9005 | 9837105016 | 5305145741102 | | 73-23-08 | 03 | 670B | 1 |
| EN3912-050018 | VI9005 | 9837105018 | 5305145563193 | | 73-23-08 | 03 | 670A | 4 |
| EN3912-050018 | VI9005 | 9837105018 | 5305145563193 | | 73-23-08 | 03 | 670C | 4 |
| EV 5649-0-04 | VF2805 | 9550179070 | 4810145405908 | | 73-14-01 | 01 | 010B | 1 |
| EV5649-0-03 | VF2805 | 9550173440 | 4810145561644 | | 73-14-01 | 01 | 010A | 1 |
| EV5649-0-05 | VF2805 | 9550179690 | 4810145561679 | | 73-14-01 | 01 | 010C | 1 |
| EV5649-1-00 | VF2805 | 9550180120 | 4810145696520 | | 73-14-01 | 01 | 010D | 1 |
| EV5692-1-01 | VF2805 | 9550171910 | | | 73-14-01 | 01 | 080A | 1 |
| EV5692-2-00 | VF2805 | 9550171790 | 4810145537838 | | 73-14-01 | 01 | 080 | 1 |
| EV5692-4-00 | VF2805 | 9550181650 | 4810145998423 | | 73-14-01 | 01 | 080B | 1 |
| EX5639-61D6 | VF0229 | 9560159030 | 5330145930355 | | 73-23-08 | 03 | 710 | 1 |
| EX5639-61D6 | VU1068 | 9560159030 | 5330145930355 | | 73-23-08 | 03 | 710 | 1 |
| H243-1 | VF9211 | 9550177130 | 6350145263348 | | 26-11-00 | 01 | 010 | 1 |
| H243-1 | VF9211 | 9550177130 | 6350145263348 | | 26-11-00 | 01 | 100 | 1 |
| H443_1 | VF9211 | 9550177160 | 6350145263347 | | 26-11-00 | 01 | 200 | 1 |
| HE 3200 amdt e | VF5496 | 9550178070 | 2925145550280 | | 74-11-10 | 01 | 010A | 1 |
| HE 932 | VF6840 | 9550177760 | 2925145571981 | | 74-11-10 | 01 | 010 | 1 |
| HE3201A | VF5496 | 9421003400 | 2925145784934 | | 74-11-10 | 01 | 010B | 1 |
| ISTJMB003327 | VD8175 | 9560910020 | 5330123778285 | | 73-23-08 | 03 | 650B | 1 |
| JA00537A | VF0559 | 9560166910 | 2945145067140 | | 73-23-08 | 03 | 270 | 1 |
| JA00592A | VF0559 | 9550172000 | 5930145489550 | | 73-23-08 | 03 | 220 | 1 |
| JA00875A | VF0559 | 9560168040 | 2945145209152 | | 72-61-00 | 01 | 460 | 1 |
| JA02052A | VF0559 | 9520011822 | 2945145577266 | | 73-23-08 | 03 | 286 | 1 |
| JAQ2055A | VF0559 | 9520011825 | 2945145784941 | | 72-61-00 | 01 | 476 | 1 |
| OR10X2-70FFKM151400 | VF0384 | 9560165990 | 5331145783534 | | 72-43-00 | 01 | 270 | 1 |
| OR10X2-70FFKM151400 | VF0384 | 9560165990 | 5331145783534 | | 72-43-00 | 01 | 280 | 1 |
| OR10X2-70FFKM151400 | VF0384 | 9560165990 | 5331145783534 | | 72-43-00 | 01 | 290 | 1 |
| PAO 1583 A | VF0559 | 9520011817 | 5340145488822 | | 72-61-00 | 01 | 472 | 1 |
| PAO 1583 A | VF0559 | 9520011817 | 5340145488822 | | 73-23-08 | 03 | 282 | 1 |
| PLT2S-M76 | VF9756 | 9560175240 | 5975010505225 | | 71-51-00 | 01 | 095A | 3 |
| PLT2S-M76 | VF9756 | 9560175240 | 5975010505225 | | 71-51-00 | 01 | 096A | 1 |
| PLT2S-M76 | VF9756 | 9560175240 | 5975010505225 | | 71-51-00 | 01 | 097A | 2 |
| PLT2S-M76 | VF9756 | 9560175240 | 5975010505225 | | 71-51-00 | 01 | 098A | 7 |
| R-62X2,5X2,5-SV-KI-PO | VF2569 | 9560158810 | 2840145785058 | | 72-43-10 | 01 | 200 | 2 |
| RNF3000-24/8-4 | VF0286 | 9550163872 | 5970144704077 | | 71-51-00 | 01 | 062 | AR |
| RNF3000-24/8-6 | VF0286 | 9550163882 | 5970144704078 | | 71-51-00 | 01 | 074 | AR |
| RNF3000-24/8-9 | VF0286 | 9550163892 | 5970144380660 | | 71-51-00 | 01 | 052 | AR |
| RNF3000-24/8-9 | VF0286 | 9550163892 | 5970144380660 | | 71-51-00 | 01 | 056 | AR |
| SC2036 | VF6840 | 9550168760 | 2925145178151 | | 72-43-00 | 01 | 460 | 2 |
| SC3536 | VF5496 | 9550353600 | | | 72-43-00 | 01 | 460B | 2 |

Alphanumerical index of manufacturer part numbers

00-00-41

Page 9
Dec. 30/2023

SAFRAN HELICOPTER ENGINES

ARRIEL 2 C2

MAINTENANCE SPARE PARTS CATALOG

| MANUFACTURER | | SAFRAN HELICOPTER ENGINES P/N | NATO P/N | AIRLINE STOCK No. | CHAP. SECTION SUBJECT | FIG. | ITEM | QTY |
|---------------|--------|-------------------------------------|---------------|----------------------|-----------------------------|------|------|-----|
| P/N | CODE | | | | | | | |
| SVP52 | VFASH4 | 9590043500 | 8010145932782 | | 77-09-02 | 01 | 160A | AD |
| TC382-00 | VF2276 | 9550178230 | 4920145677615 | | 77-21-00 | 01 | 010 | 1 |
| TC382-00 | VF2276 | 9550178230 | 4920145677615 | | 77-21-00 | 01 | 020 | 1 |
| TCH03-K10-100 | VF7917 | 9550178220 | 2995145784945 | | 77-21-00 | 01 | 010A | 1 |
| TCH03-K10-100 | VF7917 | 9550178220 | 2995145784945 | | 77-21-00 | 01 | 020A | 1 |
| TYZ25M | VFAAM1 | 9560133940 | 5975010505225 | | 71-51-00 | 01 | 095 | 3 |
| TYZ25M | VF6728 | 9560133940 | 5975010505225 | | 71-51-00 | 01 | 095 | 3 |
| TYZ25M | VFAAM1 | 9560133940 | 5975010505225 | | 71-51-00 | 01 | 096 | 1 |
| TYZ25M | VF6728 | 9560133940 | 5975010505225 | | 71-51-00 | 01 | 096 | 1 |
| TYZ25M | VFAAM1 | 9560133940 | 5975010505225 | | 71-51-00 | 01 | 097 | 2 |
| TYZ25M | VF6728 | 9560133940 | 5975010505225 | | 71-51-00 | 01 | 097 | 2 |
| TYZ25M | VFAAM1 | 9560133940 | 5975010505225 | | 71-51-00 | 01 | 098 | 7 |
| TYZ25M | VF6728 | 9560133940 | 5975010505225 | | 71-51-00 | 01 | 098 | 7 |
| VERNELEC43022 | VF6071 | 9590003191 | 5970144315279 | | 77-09-02 | 01 | 160 | AR |
| VIT7100030 | VF6840 | 9550175800 | 6680145674654 | | 77-12-00 | 01 | 010C | 3 |
| VIT7100030 | VF6840 | 9550175800 | 6680145674654 | | 77-12-00 | 01 | 015A | 1 |
| VIT7100030 | VF6840 | 9550175800 | 6680145674654 | | 77-12-00 | 01 | 020A | 2 |
| VIT7100040 | VF6840 | 9550175810 | 6680145488559 | | 72-61-00 | 01 | 880B | 1 |
| VIT7100040 | VF6840 | 9550175810 | 6680145488559 | | 77-11-00 | 01 | 010B | 1 |

NUMERICAL INDEX OF NATO PART NUMBERS

| NATO P/N | SAFRAN HELICOPTER ENGINES P/N | MANUFACTURER | | AIRLINE STOCK No. | CHAP. SECTION SUBJECT | FIG. | ITEM | QTY |
|---------------|-------------------------------|--------------|-----------------------|-------------------|-----------------------|------|------|-----|
| | | CODE | P/N | | | | | |
| 1650146012905 | 9520002000 | VF1976 | 3300424 | | 75-31-00 | 02 | 080A | 1 |
| 1730144036320 | 0301000520 | | | | 72-43-00 | 01 | 250 | 2 |
| 2840016237069 | 9560131840 | V04171 | 79008-3 | | 72-61-20 | 01 | 122A | 1 |
| 2840144002616 | 0301010860 | | | | 71-21-00 | 01 | 050 | 1 |
| 2840145221445 | 0292102010 | | | | 72-61-00 | 01 | 350 | 1 |
| 2840145471304 | 0292117300 | | | | 72-61-00 | 01 | 030 | 1 |
| 2840145543127 | 0292760020 | | | | 72-00-00 | 01 | 170 | 1 |
| 2840145711972 | 9560170620 | VF9088 | 735-593-7410-11 | | 73-23-08 | 03 | 650 | 1 |
| 2840145728634 | 0292510200 | | | | 72-43-00 | 01 | 410 | 3 |
| 2840145779830 | 0292817330 | | | | 72-70-00 | 01 | 200 | 1 |
| 2840145779838 | 0292757210 | | | | 72-61-10 | 01 | 020 | 1 |
| 2840145779838 | 0292750030 | | | | 72-61-10 | 01 | 020A | 1 |
| 2840145779846 | 0292517170 | | | | 72-43-10 | 01 | 100 | 1 |
| 2840145779847 | 0292670400 | | | | 71-71-00 | 01 | 350 | 1 |
| 2840145779848 | 0292677010 | | | | 74-11-10 | 01 | 100 | 1 |
| 2840145779849 | 0292760160 | | | | 26-11-00 | 01 | 150 | 1 |
| 2840145779851 | 0292760390 | | | | 26-11-00 | 01 | 250 | 1 |
| 2840145779852 | 0292767020 | | | | 71-51-00 | 01 | 100 | 1 |
| 2840145779852 | 0292767020 | | | | 72-61-00 | 01 | 860 | 1 |
| 2840145779853 | 0292767120 | | | | 26-11-00 | 01 | 050 | 1 |
| 2840145779902 | 0292767130 | | | | 72-00-00 | 01 | 130 | 1 |
| 2840145779907 | 0292767140 | | | | 71-41-00 | 01 | 050 | 1 |
| 2840145780368 | 0292817390 | | | | 72-43-00 | 02 | 050 | 1 |
| 2840145780373 | 0292517110 | | | | 72-43-10 | 01 | 250 | 1 |
| 2840145780389 | 0292911530 | | | | 73-23-08 | 03 | 680A | 1 |
| 2840145780390 | 0292920270 | | | | 73-23-08 | 03 | 680 | 1 |
| 2840145780393 | 0292720520 | | | | 79-29-00 | 01 | 400 | 1 |
| 2840145780419 | 0292158290 | | | | 72-43-00 | 02 | 170 | 1 |
| 2840145780561 | 0292517140 | | | | 72-43-10 | 01 | 150 | 1 |
| 2840145780620 | 0292121340 | | | | 72-61-00 | 01 | 400 | 1 |
| 2840145780742 | 0292737250 | | | | 73-14-00 | 01 | 100 | 1 |
| 2840145780749 | 0292677000 | | | | 72-00-00 | 01 | 150 | 1 |
| 2840145780756 | 0292990960 | | | | 72-00-00 | 01 | 320 | 1 |
| 2840145780763 | 0292260160 | | | | 72-43-00 | 02 | 100 | 1 |
| 2840145780765 | 0292510160 | | | | 72-43-10 | 02 | 050 | 1 |
| 2840145780766 | 0292158250 | | | | 72-32-10 | 01 | 330 | 1 |
| 2840145780768 | 0292510460 | | | | 72-43-00 | 01 | 410A | 3 |
| 2840145780769 | 0292510130 | | | | 72-43-10 | 01 | 180 | 1 |
| 2840145783412 | 0292101580 | | | | 72-61-20 | 01 | 120A | 1 |
| 2840145785058 | 9560158810 | VF2569 | R-62X2,5X2,5-SV-KI-PO | | 72-43-10 | 01 | 200 | 2 |
| 2840145785058 | 9560158720 | V0051T | 62X2,5X2,5CB | | 72-43-10 | 01 | 200A | 2 |
| 2840145804379 | 9560158450 | VK1209 | A17761-186-1 | | 72-43-30 | 01 | 110 | 2 |
| 2840145817086 | 0292912670 | | | | 73-23-08 | 03 | 600A | 1 |
| 2840145823540 | 0292827170 | | | | 72-70-00 | 01 | 100 | 1 |
| 2840145823555 | 0292717500 | | | | 72-15-20 | 01 | 020 | 1 |
| 2840145823556 | 0292991040 | | | | 72-32-00 | 01 | 102 | 1 |
| 2840145823623 | 70BM021900 | | | | 72-00-00 | 01 | 030 | 1 |
| 2840145823630 | 70BM041750 | | | | 72-00-00 | 01 | 050 | 1 |
| 2840145823670 | 0292815020 | | | | 72-00-00 | 01 | 070 | 1 |
| 2840145823703 | 9550178260 | VF1976 | 1353700 | | 75-31-00 | 01 | 050 | 1 |
| 2840145823708 | 0292510030 | | | | 72-43-00 | 01 | 400A | 3 |
| 2840145825072 | 0292912720 | | | | 73-23-08 | 03 | 680C | 1 |
| 2840145846357 | 0292120650 | | | | 72-61-50 | 01 | 100A | 1 |

SAFRAN HELICOPTER ENGINES

ARRIEL 2 C2

MAINTENANCE SPARE PARTS CATALOG

| NATO P/N | SAFRAN HELICOPTER ENGINES P/N | MANUFACTURER | | AIRLINE STOCK No. | CHAP. SECTION SUBJECT | FIG. | ITEM | QTY |
|---------------|-------------------------------------|--------------|--------------|----------------------|-----------------------------|------|------|-----|
| | | CODE | P/N | | | | | |
| 2840145846359 | 0292120410 | | | | 72-61-50 | 01 | 200A | 1 |
| 2840145846362 | 0292121460 | | | | 72-61-50 | 01 | 200B | 1 |
| 2840145846364 | 0292121490 | | | | 72-61-00 | 02 | 300A | 1 |
| 2840145846366 | 0292127020 | | | | 72-61-50 | 01 | 100 | 1 |
| 2840145846372 | 0292127680 | | | | 72-61-50 | 01 | 200 | 1 |
| 2840145846373 | 0292127720 | | | | 72-61-00 | 02 | 300 | 1 |
| 2840145846377 | 0292150080 | | | | 72-32-00 | 01 | 100A | 1 |
| 2840145846378 | 0292158460 | | | | 72-32-00 | 01 | 100 | 1 |
| 2840145846380 | 0292158490 | | | | 72-32-10 | 01 | 500 | 1 |
| 2840145846382 | 0292467080 | | | | 72-43-00 | 02 | 370 | 1 |
| 2840145846384 | 0292677170 | | | | 72-43-00 | 01 | 005 | 1 |
| 2840145846389 | 0292717410 | | | | 72-15-20 | 01 | 300 | 1 |
| 2840145846391 | 0292717470 | | | | 72-15-30 | 01 | 200 | 1 |
| 2840145846500 | 0292995170 | | | | 72-00-00 | 01 | 100 | 1 |
| 2840145846502 | 2292710850 | | | | 72-15-20 | 01 | 022 | 1 |
| 2840145846504 | 2292710860 | | | | 72-15-20 | 01 | 024 | 1 |
| 2840145873368 | 0292121510 | | | | 72-61-50 | 01 | 100B | 1 |
| 2840145873369 | 0292121530 | | | | 72-61-00 | 02 | 300B | 1 |
| 2840145873371 | 729212772A | | | | 72-61-00 | 02 | 300C | 1 |
| 2840145889676 | 0292460010 | | | | 72-43-00 | 02 | 370A | 1 |
| 2840146007297 | 9550178980 | VF1976 | 135-3700-01 | | 75-31-00 | 01 | 050A | 1 |
| 2840146007298 | 0292730650 | | | | 73-19-00 | 01 | 490 | 1 |
| 2840146035300 | 0292150510 | | | | 72-32-10 | 01 | 330A | 1 |
| 2840146058955 | 729215825A | | | | 72-32-10 | 01 | 330B | 1 |
| 2840994930274 | 9560166610 | VK1209 | A17761-126-2 | | 72-43-10 | 01 | 070 | 2 |
| 2840998406414 | 9560163940 | VK1209 | A17761-241-2 | | 72-54-00 | 01 | 080 | 2 |
| 2915143785664 | 0283317500 | | | | 72-43-00 | 01 | 550 | 2 |
| 2915145738365 | 0292912010 | | | | 73-23-08 | 03 | 680B | 1 |
| 2915145779784 | 0292677110 | | | | 71-71-00 | 01 | 010 | 1 |
| 2915145779785 | 0292677160 | | | | 71-71-00 | 01 | 050 | 1 |
| 2915145779788 | 0292677190 | | | | 71-71-00 | 01 | 150 | 1 |
| 2915145779807 | 0292737290 | | | | 73-19-00 | 01 | 200 | 1 |
| 2915145779809 | 0292737300 | | | | 73-19-00 | 01 | 250 | 1 |
| 2915145779810 | 0292737310 | | | | 73-19-00 | 01 | 400 | 1 |
| 2915145779812 | 0292737390 | | | | 73-19-00 | 01 | 600 | 1 |
| 2915145779818 | 0292737440 | | | | 73-19-00 | 01 | 010 | 1 |
| 2915145779822 | 0292737580 | | | | 73-19-00 | 01 | 550 | 1 |
| 2915145780689 | 0292958060 | | | | 73-14-00 | 01 | 010A | 1 |
| 2915145780699 | 0292958050 | | | | 73-14-00 | 01 | 010 | 1 |
| 2915145823632 | 0292860230 | | | | 73-23-00 | 01 | 010J | 1 |
| 2915145823633 | 0292860400 | | | | 73-23-00 | 01 | 010H | 1 |
| 2915145823636 | 0292860950 | | | | 73-23-00 | 01 | 010M | 1 |
| 2915145823638 | 0292861150 | | | | 73-23-00 | 01 | 010L | 1 |
| 2915145823639 | 0292861440 | | | | 73-23-00 | 01 | 010N | 1 |
| 2915145823640 | 0292861920 | | | | 73-23-00 | 01 | 010Q | 1 |
| 2915145823641 | 0292868040 | | | | 73-23-00 | 01 | 010B | 1 |
| 2915145823642 | 0292868350 | | | | 73-23-00 | 01 | 010C | 1 |
| 2915145823644 | 0292868630 | | | | 73-23-00 | 01 | 010E | 1 |
| 2915145823667 | 0292677210 | | | | 71-71-00 | 01 | 120 | 1 |
| 2915145823714 | 0292841840 | | | | 73-23-08 | 02 | 150G | 1 |
| 2915145823715 | 0292912080 | | | | 73-23-08 | 02 | 200G | 1 |
| 2915145823717 | 0292912160 | | | | 73-23-08 | 02 | 200H | 1 |
| 2915145823718 | 0292912480 | | | | 73-23-08 | 02 | 200J | 1 |
| 2915145823720 | 0292912590 | | | | 73-23-08 | 02 | 200K | 1 |
| 2915145823726 | 0292861910 | | | | 73-23-08 | 01 | 100Q | 1 |

Numerical index of NATO part numbers

00-00-42

Page 2

Dec. 30/2023

SAFRAN HELICOPTER ENGINES

ARRIEL 2 C2

MAINTENANCE SPARE PARTS CATALOG

| NATO P/N | SAFRAN HELICOPTER ENGINES P/N | MANUFACTURER | | AIRLINE STOCK No. | CHAP. SECTION SUBJECT | FIG. | ITEM | QTY |
|---------------|-------------------------------------|--------------|-----------------|----------------------|-----------------------------|------|------|-----|
| | | CODE | P/N | | | | | |
| 2915145823727 | 0292862170 | | | | 73-23-08 | 01 | 100R | 1 |
| 2915145823729 | 0292862220 | | | | 73-23-08 | 01 | 100S | 1 |
| 2915145823731 | 0292862710 | | | | 73-23-08 | 01 | 100T | 1 |
| 2915145823733 | 0292850010 | | | | 73-23-00 | 01 | 010F | 1 |
| 2915145823735 | 0292850020 | | | | 73-23-00 | 01 | 010G | 1 |
| 2915145823736 | 0292858300 | | | | 73-23-00 | 01 | 010 | 1 |
| 2915145823739 | 0292861130 | | | | 73-23-00 | 01 | 010K | 1 |
| 2915145823740 | 0292861430 | | | | 73-23-00 | 01 | 010P | 1 |
| 2915145823742 | 0292862180 | | | | 73-23-00 | 01 | 010R | 1 |
| 2915145823743 | 0292862410 | | | | 73-23-00 | 01 | 010S | 1 |
| 2915145823746 | 0292862640 | | | | 73-23-00 | 01 | 010T | 1 |
| 2915145823747 | 0292868050 | | | | 73-23-00 | 01 | 010A | 1 |
| 2915145823749 | 0292868420 | | | | 73-23-00 | 01 | 010D | 1 |
| 2915145823761 | 0292737730 | | | | 73-23-08 | 02 | 170 | 1 |
| 2915145846408 | 0292840060 | | | | 73-23-08 | 02 | 150C | 1 |
| 2915145846409 | 0292840380 | | | | 73-23-08 | 02 | 150E | 1 |
| 2915145846410 | 0292840790 | | | | 73-23-08 | 02 | 150F | 1 |
| 2915145846411 | 0292845310 | | | | 73-23-08 | 02 | 150A | 1 |
| 2915145846415 | 0292845350 | | | | 73-23-08 | 02 | 150B | 1 |
| 2915145846477 | 0292860240 | | | | 73-23-08 | 01 | 100J | 1 |
| 2915145846478 | 0292860390 | | | | 73-23-08 | 01 | 100H | 1 |
| 2915145846479 | 0292860920 | | | | 73-23-08 | 01 | 100M | 1 |
| 2915145846480 | 0292861160 | | | | 73-23-08 | 01 | 100L | 1 |
| 2915145846481 | 0292861560 | | | | 73-23-08 | 01 | 100N | 1 |
| 2915145846482 | 0292865050 | | | | 73-23-08 | 01 | 100C | 1 |
| 2915145846483 | 0292865150 | | | | 73-23-08 | 01 | 100E | 1 |
| 2915145846486 | 0292910300 | | | | 73-23-08 | 02 | 200C | 1 |
| 2915145846489 | 0292910740 | | | | 73-23-08 | 02 | 200D | 1 |
| 2915145846490 | 0292911730 | | | | 73-23-08 | 02 | 200E | 1 |
| 2915145846492 | 0292915450 | | | | 73-23-08 | 02 | 200A | 1 |
| 2915145846493 | 0292915600 | | | | 73-23-08 | 02 | 200B | 1 |
| 2915145846494 | 0292925960 | | | | 73-23-08 | 01 | 100B | 1 |
| 2915145846495 | 0292955090 | | | | 73-14-01 | 01 | 005A | 1 |
| 2915145846498 | 0292955100 | | | | 73-14-01 | 01 | 005B | 1 |
| 2915145889670 | 0292950760 | | | | 73-14-01 | 01 | 005D | 1 |
| 2915145889671 | 0292950780 | | | | 73-14-00 | 01 | 010C | 1 |
| 2915145932779 | 0292862820 | | | | 73-23-00 | 01 | 010U | 1 |
| 2915145932780 | 0292862830 | | | | 73-23-08 | 01 | 100U | 1 |
| 2920014509908 | 9550168770 | V11583 | CH34595 | | 72-43-00 | 01 | 460A | 2 |
| 2925015678027 | 9550171580 | V59501 | 9048205-302 | | 74-24-10 | 01 | 010 | 2 |
| 2925145178151 | 9550168760 | VF6840 | SC2036 | | 72-43-00 | 01 | 460 | 2 |
| 2925145550274 | 9550171540 | VF6840 | CLB23060 | | 74-24-10 | 01 | 010A | 2 |
| 2925145550280 | 9550178070 | VF5496 | HE 3200 amd t e | | 74-11-10 | 01 | 010A | 1 |
| 2925145571981 | 9550177760 | VF6840 | HE 932 | | 74-11-10 | 01 | 010 | 1 |
| 2925145784934 | 9421003400 | VF5496 | HE3201A | | 74-11-10 | 01 | 010B | 1 |
| 2925145823693 | 9421003500 | V02101 | 93661-1 | | 72-61-00 | 01 | 650B | 1 |
| 2925145823696 | 9550002100 | VF7926 | 9296-2 | | 72-61-00 | 01 | 650A | 1 |
| 2925145823698 | 9550171410 | VF7926 | 9296-1 | | 72-61-00 | 01 | 650 | 1 |
| 2925145846381 | 0292377800 | | | | 72-43-00 | 01 | 450 | 2 |
| 2925145889667 | 0177987140 | | | | 72-61-20 | 01 | 280A | 1 |
| 2925145889678 | 0292697900 | | | | 72-43-00 | 01 | 010A | 1 |
| 2935145781109 | 0292120950 | | | | 72-61-00 | 01 | 600 | 1 |
| 2945145067140 | 9560166910 | VF0559 | JA00537A | | 73-23-08 | 03 | 270 | 1 |
| 2945145209152 | 9560168040 | VF0559 | JA00875A | | 72-61-00 | 01 | 460 | 1 |
| 2945145557700 | 9560166860 | VF0559 | CA00525A | | 72-61-00 | 01 | 520 | 1 |

SAFRAN HELICOPTER ENGINES

ARRIEL 2 C2

MAINTENANCE SPARE PARTS CATALOG

| NATO P/N | SAFRAN HELICOPTER ENGINES P/N | MANUFACTURER | | AIRLINE STOCK No. | CHAP. SECTION SUBJECT | FIG. | ITEM | QTY |
|---------------|-------------------------------------|--------------|-----------------------|----------------------|-----------------------------|------|------|-----|
| | | CODE | P/N | | | | | |
| 2945145577266 | 9520011822 | VF0559 | JA02052A | | 73-23-08 | 03 | 286 | 1 |
| 2945145780479 | 0292127460 | | | | 72-61-00 | 01 | 500 | 1 |
| 2945145780741 | 0292127890 | | | | 72-61-00 | 02 | 010 | 1 |
| 2945145784941 | 9520011825 | VF0559 | JAO2055A | | 72-61-00 | 01 | 476 | 1 |
| 2945145846370 | 0292127420 | | | | 72-61-40 | 01 | 100 | 1 |
| 2995143925547 | 0210140150 | | | | 79-25-01 | 01 | 150 | 1 |
| 2995143925548 | 0210140170 | | | | 79-25-01 | 01 | 120 | 1 |
| 2995144002567 | 0292107650 | | | | 72-61-00 | 01 | 070 | 1 |
| 2995145228519 | 9520011520 | VF9211 | 4910 | | 79-38-00 | 01 | 034 | 1 |
| 2995145488865 | 9520011546 | VF9211 | 4930-1 | | 79-38-00 | 01 | 030 | 1 |
| 2995145674604 | 0292125130 | | | | 79-24-00 | 01 | 010C | 1 |
| 2995145674604 | 0292121000 | | | | 79-24-00 | 01 | 010E | 1 |
| 2995145779982 | 0292680030 | | | | 75-29-00 | 01 | 450A | 1 |
| 2995145779990 | 0292687270 | | | | 75-29-00 | 01 | 450 | 1 |
| 2995145780000 | 0292727330 | | | | 79-29-00 | 01 | 100 | 1 |
| 2995145780002 | 0292727240 | | | | 79-29-00 | 01 | 010 | 1 |
| 2995145780005 | 0292687280 | | | | 75-29-00 | 01 | 010 | 1 |
| 2995145780007 | 0292727260 | | | | 79-29-00 | 01 | 300 | 1 |
| 2995145780012 | 0292687230 | | | | 75-29-00 | 01 | 400 | 1 |
| 2995145780017 | 0292727250 | | | | 79-29-00 | 01 | 150 | 1 |
| 2995145780487 | 0292517060 | | | | 72-43-10 | 01 | 030 | 1 |
| 2995145780488 | 0292120770 | | | | 72-61-00 | 01 | 560 | 1 |
| 2995145780793 | 0292125060 | | | | 79-24-00 | 01 | 010A | 1 |
| 2995145784945 | 9550178220 | VF7917 | TCH03-K10-100 | | 77-21-00 | 01 | 010A | 1 |
| 2995145784945 | 9550178220 | VF7917 | TCH03-K10-100 | | 77-21-00 | 01 | 020A | 1 |
| 2995145804337 | 0292125120 | | | | 79-24-00 | 01 | 010 | 1 |
| 2995145804339 | 0292125150 | | | | 79-24-00 | 01 | 010B | 1 |
| 2995145804339 | 0292121020 | | | | 79-24-00 | 01 | 010D | 1 |
| 2995145823665 | 0292727320 | | | | 79-29-00 | 01 | 050 | 1 |
| 2995145823669 | 0292687410 | | | | 75-29-00 | 01 | 500 | 1 |
| 2995145823759 | 0292720860 | | | | 79-29-00 | 01 | 100A | 1 |
| 2995145823760 | 0292720880 | | | | 79-29-00 | 01 | 300A | 1 |
| 2995145823762 | 0292720870 | | | | 79-29-00 | 01 | 150A | 1 |
| 2995145860433 | 0292720920 | | | | 79-29-00 | 01 | 100B | 1 |
| 2995145860434 | 0292720930 | | | | 79-29-00 | 01 | 150B | 1 |
| 3010145757937 | 0292109010 | | | | 72-61-20 | 01 | 030A | 1 |
| 3010145757938 | 0292117260 | | | | 72-61-20 | 01 | 030 | 1 |
| 3010145860437 | 0292912700 | | | | 73-23-08 | 03 | 600B | 1 |
| 3040145780771 | 0292717390 | | | | 72-15-00 | 01 | 250 | 1 |
| 3040145780772 | 0292717600 | | | | 72-15-00 | 01 | 250A | 1 |
| 3110145785125 | 9609000493 | VF0771 | CSNX28/4-05RH6SA20/30 | | 72-43-00 | 02 | 110 | 1 |
| 3120145230521 | 0292153330 | | | | 72-32-00 | 01 | 300 | 1 |
| 3940145780365 | 0292670180 | | | | 71-21-00 | 01 | 010 | 1 |
| 4320145563201 | 0319917320 | | | | 73-23-08 | 03 | 600 | 1 |
| 4330145550282 | 9560171610 | VF0559 | CAO1698A | | 73-23-08 | 03 | 150 | 1 |
| 4710145557335 | 0292757160 | | | | 72-61-10 | 01 | 090 | 1 |
| 4710145557337 | 0292757140 | | | | 72-61-10 | 01 | 070 | 1 |
| 4710145779843 | 0292757850 | | | | 72-61-10 | 01 | 120 | 1 |
| 4710145780441 | 0292510340 | | | | 72-43-00 | 01 | 400 | 3 |
| 4720144002650 | 0301027410 | | | | 71-71-00 | 01 | 300 | 1 |
| 4720145782886 | 9560165040 | VF6409 | A22983-01 | | 79-29-00 | 01 | 200 | 1 |
| 4720145782887 | 9560162070 | VF6409 | A22989-01 | | 79-29-00 | 01 | 200A | 1 |
| 4720145873372 | 9560166950 | VF6285 | 9993160 | | 79-29-00 | 01 | 200B | 1 |
| 4730143029979 | 9560130220 | VF0215 | 8TX200BS | | 71-41-00 | 01 | 052 | 1 |
| 4730143029979 | 9560130220 | VF0215 | 8TX200BS | | 71-51-00 | 01 | 102 | 1 |

Numerical index of NATO part numbers

00-00-42

Page 4

Dec. 30/2023

SAFRAN HELICOPTER ENGINES

ARRIEL 2 C2

MAINTENANCE SPARE PARTS CATALOG

| NATO P/N | SAFRAN HELICOPTER ENGINES P/N | MANUFACTURER | | AIRLINE STOCK No. | CHAP. SECTION SUBJECT | FIG. | ITEM | QTY |
|---------------|-------------------------------------|--------------|--------------|----------------------|-----------------------------|------|------|-----|
| | | CODE | P/N | | | | | |
| 4730143029979 | 9560130220 | VF0215 | 8TX200BS | | 71-51-00 | 01 | 142 | 1 |
| 4730143029979 | 9560130220 | VF0215 | 8TX200BS | | 72-61-00 | 01 | 850 | 1 |
| 4730143653264 | 9932307060 | | | | 79-29-00 | 01 | 070 | 1 |
| 4730143920993 | 9936300600 | | | | 75-29-00 | 01 | 550 | 1 |
| 4730144002573 | 0292300670 | | | | 72-43-00 | 01 | 570 | 2 |
| 4730144002635 | 0301020260 | | | | 71-71-00 | 01 | 310 | 1 |
| 4730144002636 | 0301020270 | | | | 72-61-00 | 01 | 010 | 1 |
| 4730144002643 | 0301020700 | | | | 72-43-00 | 01 | 340 | 1 |
| 4730144704177 | 9945300060 | | | | 75-29-00 | 01 | 200 | 1 |
| 4730144704177 | 9945300060 | | | | 75-29-00 | 01 | 300 | 1 |
| 4730144844271 | 9943800060 | | | | 72-15-00 | 01 | 050 | 1 |
| 4730145221447 | 0292680640 | | | | 75-31-00 | 01 | 150 | 1 |
| 4730145229693 | 0000190420 | VF1699 | 01325164009 | | 79-29-00 | 01 | 112 | 1 |
| 4730145229694 | 0000267000 | | | | 79-29-00 | 01 | 110 | 1 |
| 4730145465392 | 0292370330 | | | | 73-19-00 | 01 | 350 | 2 |
| 4730145489996 | 9520011854 | VF1976 | 2751-000 | | 75-31-00 | 02 | 040 | 1 |
| 4730145557744 | 0301020710 | | | | 72-43-00 | 01 | 300 | 1 |
| 4730145674646 | 0292760420 | | | | 77-21-00 | 01 | 014 | 2 |
| 4730145780384 | 0292941820 | | | | 73-23-08 | 02 | 174 | 1 |
| 4730145780386 | 0292911520 | | | | 73-23-08 | 02 | 174A | 1 |
| 4730145780387 | 0292911650 | | | | 73-23-08 | 02 | 174B | 1 |
| 4730145780435 | 0292670410 | | | | 71-71-00 | 01 | 320 | 1 |
| 4730145780449 | 0292991020 | | | | 72-00-00 | 01 | 260 | 1 |
| 4730145780482 | 0292127140 | | | | 72-61-00 | 01 | 100 | 1 |
| 4730145780484 | 0292727040 | | | | 79-25-01 | 01 | 170 | 1 |
| 4730145780746 | 0292680570 | | | | 75-31-00 | 01 | 170 | 1 |
| 4730145780963 | 0292670030 | | | | 73-19-00 | 01 | 300 | 1 |
| 4730145780976 | 0292720620 | | | | 79-24-00 | 01 | 100 | 1 |
| 4730145780978 | 0292720630 | | | | 79-25-00 | 01 | 100 | 1 |
| 4730145780981 | 0292720670 | | | | 72-43-00 | 01 | 150 | 1 |
| 4730145780981 | 0292720670 | | | | 72-43-00 | 01 | 200 | 1 |
| 4730145780982 | 0292720690 | | | | 72-43-00 | 01 | 100 | 1 |
| 4730145804341 | 0292670050 | | | | 71-71-00 | 01 | 320A | 1 |
| 4730145823569 | 0000260060 | | | | 79-29-00 | 01 | 110A | 1 |
| 4730145823610 | 0000253140 | | | | 75-29-00 | 01 | 550A | 1 |
| 4730145824243 | 9560177090 | VFA3W9 | 50499002 | | 72-43-00 | 01 | 100A | 1 |
| 4730145824243 | 9560177090 | VFA3W9 | 50499002 | | 72-43-00 | 01 | 150A | 1 |
| 4730145824243 | 9560177090 | VFA3W9 | 50499002 | | 72-43-00 | 01 | 200A | 1 |
| 4810145405908 | 9550179070 | VF2805 | EV 5649-0-04 | | 73-14-01 | 01 | 010B | 1 |
| 4810145537838 | 9550171790 | VF2805 | EV5692-2-00 | | 73-14-01 | 01 | 080 | 1 |
| 4810145561644 | 9550173440 | VF2805 | EV5649-0-03 | | 73-14-01 | 01 | 010A | 1 |
| 4810145561679 | 9550179690 | VF2805 | EV5649-0-05 | | 73-14-01 | 01 | 010C | 1 |
| 4810145696520 | 9550180120 | VF2805 | EV5649-1-00 | | 73-14-01 | 01 | 010D | 1 |
| 4810145758648 | 9520011849 | VF1976 | 1023.951.0 | | 75-31-00 | 02 | 080 | 1 |
| 4810145998423 | 9550181650 | VF2805 | EV5692-4-00 | | 73-14-01 | 01 | 080B | 1 |
| 4820145067042 | 0292687250 | | | | 71-71-00 | 01 | 070 | 1 |
| 4820145674672 | 0292958070 | | | | 73-14-00 | 01 | 010B | 1 |
| 4820145780421 | 0292680530 | | | | 71-71-01 | 01 | 030 | 1 |
| 4820145780454 | 0292680520 | | | | 71-71-01 | 01 | 040 | 1 |
| 4820145780464 | 0292680650 | | | | 71-71-01 | 01 | 040A | 1 |
| 4820145780611 | 0292727300 | | | | 79-25-00 | 01 | 010 | 1 |
| 4820145823707 | 0292845040 | | | | 73-23-08 | 02 | 010 | 1 |
| 4820145843318 | 0292680370 | | | | 71-71-01 | 01 | 100 | 1 |
| 4920145316246 | TM1034G001 | | | | 71-91-00 | 01 | 060 | 1 |
| 4920145677615 | 9550178230 | VF2276 | TC382-00 | | 77-21-00 | 01 | 010 | 1 |

SAFRAN HELICOPTER ENGINES

ARRIEL 2 C2

MAINTENANCE SPARE PARTS CATALOG

| NATO P/N | SAFRAN HELICOPTER ENGINES P/N | MANUFACTURER | | AIRLINE STOCK No. | CHAP. SECTION SUBJECT | FIG. | ITEM | QTY |
|---------------|-------------------------------------|--------------|----------------|----------------------|-----------------------------|------|------|-----|
| | | CODE | P/N | | | | | |
| 4920145677615 | 9550178230 | VF2276 | TC382-00 | | 77-21-00 | 01 | 020 | 1 |
| 4920145782675 | 9945300120 | | | | 72-43-00 | 01 | 610 | 1 |
| 4920145782675 | 9945300120 | | | | 75-29-00 | 01 | 250 | 1 |
| 4920145823645 | TM0206G003 | | | | 71-91-00 | 01 | 180 | 1 |
| 5305142962728 | 9817041414 | VF0111 | 22209BC040014L | | 73-23-08 | 02 | 014 | 1 |
| 5305143024436 | 9801041814 | VF0111 | 22125BC040018L | | 72-43-00 | 01 | 302 | 2 |
| 5305143249442 | 9817051414 | VF0111 | 22209BC050014L | | 72-61-30 | 01 | 010 | 4 |
| 5305143388880 | 9806041425 | VF0111 | 22145CM040014E | | 73-23-08 | 02 | 014A | 1 |
| 5305143497257 | 9848501829 | VF0111 | 22296CF050018E | | 73-23-08 | 03 | 670 | 4 |
| 5305143537114 | 9848501429 | VF0111 | 22296CF050014E | | 73-14-01 | 01 | 012 | 2 |
| 5305143537114 | 9848501429 | VF0111 | 22296CF050014E | | 73-14-01 | 01 | 082 | 2 |
| 5305143678290 | 9806051425 | VF0111 | 22145CM050014E | | 72-43-00 | 01 | 552 | 4 |
| 5305143690832 | 9847300800 | VF0111 | 22294CE030008E | | 71-51-00 | 01 | 094 | 4 |
| 5305143728162 | 9806051225 | VF0111 | 22145CM050012E | | 72-43-00 | 01 | 462 | 4 |
| 5305143805827 | 9848301029 | VF0111 | 22296CF030010E | | 77-22-01 | 01 | 052B | 4 |
| 5305143925896 | 9847200800 | VF0111 | 22294CE020008E | | 77-09-02 | 01 | 030 | 2 |
| 5305143934458 | 9848401429 | VF0111 | 22296CF040014E | | 73-23-08 | 02 | 012 | 2 |
| 5305143937283 | 9847301000 | VF0111 | 22294CE030010E | | 77-22-01 | 01 | 052A | 4 |
| 5305144095079 | 0000024460 | | | | 72-43-00 | 01 | 350 | 1 |
| 5305145492575 | 9520011783 | VF1976 | 9512-056-0 | | 75-31-00 | 02 | 050A | 4 |
| 5305145545829 | 9837205014 | | | | 73-14-01 | 01 | 012A | 2 |
| 5305145545829 | 9837205014 | | | | 73-14-01 | 01 | 082A | 2 |
| 5305145563193 | 9837105018 | VI9005 | EN3912-050018 | | 73-23-08 | 03 | 670A | 4 |
| 5305145563193 | 9837105018 | VI9005 | EN3912-050018 | | 73-23-08 | 03 | 670C | 4 |
| 5305145563242 | 9837105014 | VI9005 | EN3912-050014 | | 73-14-01 | 01 | 012B | 2 |
| 5305145563242 | 9837105014 | VI9005 | EN3912-050014 | | 73-14-01 | 01 | 082B | 2 |
| 5305145741102 | 9837105016 | VI9005 | EN3912-050016 | | 73-23-08 | 03 | 670B | 1 |
| 5305145758660 | 9520011850 | VF1976 | 9512.057.0 | | 75-31-00 | 02 | 050 | 4 |
| 5305145758663 | 9520011852 | VF1976 | 9521-403-0 | | 75-31-00 | 02 | 110 | 4 |
| 5305145780908 | 0000025380 | | | | 72-00-00 | 01 | 120 | 2 |
| 5305145780910 | 0000026870 | | | | 72-00-00 | 01 | 110 | 2 |
| 5305145823773 | 9837204014 | | | | 73-23-08 | 02 | 012A | 2 |
| 5306144002564 | 0292102900 | | | | 72-61-20 | 01 | 034 | 3 |
| 5306144493025 | 0000025820 | | | | 79-24-00 | 01 | 102 | 2 |
| 5306144677610 | 0000025590 | | | | 79-24-00 | 01 | 012 | 3 |
| 5306144677687 | 9836405014 | VI9005 | EN3686050014 | | 26-11-00 | 01 | 012 | 3 |
| 5306144677687 | 9836405014 | VI9005 | EN3686050014 | | 26-11-00 | 01 | 052 | 2 |
| 5306144677687 | 9836405014 | VI9005 | EN3686050014 | | 26-11-00 | 01 | 102 | 3 |
| 5306144677687 | 9836405014 | VI9005 | EN3686050014 | | 26-11-00 | 01 | 202 | 3 |
| 5306144677687 | 9836405014 | VI9005 | EN3686050014 | | 71-71-00 | 01 | 012 | 1 |
| 5306144677687 | 9836405014 | VI9005 | EN3686050014 | | 71-71-00 | 01 | 152 | 1 |
| 5306144677687 | 9836405014 | VI9005 | EN3686050014 | | 71-71-00 | 01 | 164 | 2 |
| 5306144677687 | 9836405014 | VI9005 | EN3686050014 | | 72-15-20 | 01 | 012 | 6 |
| 5306144677687 | 9836405014 | VI9005 | EN3686050014 | | 72-32-10 | 01 | 490 | 3 |
| 5306144677687 | 9836405014 | VI9005 | EN3686050014 | | 72-43-00 | 01 | 612 | 2 |
| 5306144677687 | 9836405014 | VI9005 | EN3686050014 | | 72-43-10 | 01 | 140 | 8 |
| 5306144677687 | 9836405014 | VI9005 | EN3686050014 | | 72-61-00 | 01 | 072 | 1 |
| 5306144677687 | 9836405014 | VI9005 | EN3686050014 | | 72-61-00 | 01 | 102 | 1 |
| 5306144677687 | 9836405014 | VI9005 | EN3686050014 | | 72-61-00 | 01 | 402 | 1 |
| 5306144677687 | 9836405014 | VI9005 | EN3686050014 | | 72-61-00 | 01 | 702 | 1 |
| 5306144677687 | 9836405014 | VI9005 | EN3686050014 | | 72-61-00 | 01 | 732 | 1 |
| 5306144677687 | 9836405014 | VI9005 | EN3686050014 | | 72-61-00 | 01 | 832 | 2 |
| 5306144677687 | 9836405014 | VI9005 | EN3686050014 | | 72-61-00 | 01 | 882 | 1 |
| 5306144677687 | 9836405014 | VI9005 | EN3686050014 | | 72-61-00 | 01 | 942 | 1 |
| 5306144677687 | 9836405014 | VI9005 | EN3686050014 | | 73-19-00 | 01 | 012 | 2 |

SAFRAN HELICOPTER ENGINES

ARRIEL 2 C2

MAINTENANCE SPARE PARTS CATALOG

| NATO P/N | SAFRAN HELICOPTER ENGINES P/N | MANUFACTURER | | AIRLINE STOCK No. | CHAP. SECTION SUBJECT | FIG. | ITEM | QTY |
|---------------|-------------------------------------|--------------|--------------|----------------------|-----------------------------|------|------|-----|
| | | CODE | P/N | | | | | |
| 5306144677687 | 9836405014 | VI9005 | EN3686050014 | | 73-19-00 | 01 | 014 | 2 |
| 5306144677687 | 9836405014 | VI9005 | EN3686050014 | | 73-19-00 | 01 | 302 | 2 |
| 5306144677687 | 9836405014 | VI9005 | EN3686050014 | | 73-19-00 | 01 | 402 | 2 |
| 5306144677687 | 9836405014 | VI9005 | EN3686050014 | | 73-19-00 | 01 | 450 | 1 |
| 5306144677687 | 9836405014 | VI9005 | EN3686050014 | | 73-19-00 | 01 | 552 | 4 |
| 5306144677687 | 9836405014 | VI9005 | EN3686050014 | | 73-19-00 | 01 | 602 | 4 |
| 5306144677687 | 9836405014 | VI9005 | EN3686050014 | | 73-23-08 | 02 | 172 | 2 |
| 5306144677687 | 9836405014 | VI9005 | EN3686050014 | | 73-23-08 | 03 | 222 | 2 |
| 5306144677687 | 9836405014 | VI9005 | EN3686050014 | | 73-23-08 | 03 | 272 | 2 |
| 5306144677687 | 9836405014 | VI9005 | EN3686050014 | | 73-23-08 | 03 | 312 | 2 |
| 5306144677687 | 9836405014 | VI9005 | EN3686050014 | | 75-29-00 | 01 | 012 | 2 |
| 5306144677687 | 9836405014 | VI9005 | EN3686050014 | | 75-29-00 | 01 | 202A | 2 |
| 5306144677687 | 9836405014 | VI9005 | EN3686050014 | | 75-29-00 | 01 | 252A | 2 |
| 5306144677687 | 9836405014 | VI9005 | EN3686050014 | | 75-29-00 | 01 | 302 | 2 |
| 5306144677687 | 9836405014 | VI9005 | EN3686050014 | | 75-29-00 | 01 | 402 | 2 |
| 5306144677687 | 9836405014 | VI9005 | EN3686050014 | | 75-29-00 | 01 | 452 | 4 |
| 5306144677687 | 9836405014 | VI9005 | EN3686050014 | | 75-29-00 | 01 | 502 | 3 |
| 5306144677687 | 9836405014 | VI9005 | EN3686050014 | | 75-29-00 | 01 | 510 | 2 |
| 5306144677687 | 9836405014 | VI9005 | EN3686050014 | | 77-11-00 | 01 | 012 | 1 |
| 5306144677687 | 9836405014 | VI9005 | EN3686050014 | | 77-21-00 | 01 | 028 | 1 |
| 5306144677687 | 9836405014 | VI9005 | EN3686050014 | | 79-29-00 | 01 | 012 | 2 |
| 5306144677687 | 9836405014 | VI9005 | EN3686050014 | | 79-29-00 | 01 | 054 | 2 |
| 5306144677687 | 9836405014 | VI9005 | EN3686050014 | | 79-29-00 | 01 | 202A | 4 |
| 5306144677687 | 9836405014 | VI9005 | EN3686050014 | | 79-29-00 | 01 | 302 | 1 |
| 5306144677687 | 9836405014 | VI9005 | EN3686050014 | | 79-29-00 | 01 | 316 | 2 |
| 5306144677687 | 9836405014 | VI9005 | EN3686050014 | | 79-38-00 | 01 | 012 | 2 |
| 5306144695977 | 9836405010 | VI9005 | EN3686050010 | | 77-22-01 | 01 | 032 | 3 |
| 5306144695978 | 9836405012 | VI9005 | EN3686050012 | | 71-41-00 | 01 | 010 | 3 |
| 5306144695978 | 9836405012 | VI9005 | EN3686050012 | | 71-51-00 | 01 | 048 | 1 |
| 5306144695978 | 9836405012 | VI9005 | EN3686050012 | | 71-51-00 | 01 | 058 | 1 |
| 5306144695978 | 9836405012 | VI9005 | EN3686050012 | | 71-51-00 | 01 | 064 | 1 |
| 5306144695978 | 9836405012 | VI9005 | EN3686050012 | | 71-51-00 | 01 | 068 | 1 |
| 5306144695978 | 9836405012 | VI9005 | EN3686050012 | | 71-51-00 | 01 | 078 | 1 |
| 5306144695978 | 9836405012 | VI9005 | EN3686050012 | | 71-51-00 | 01 | 088 | 1 |
| 5306144695978 | 9836405012 | VI9005 | EN3686050012 | | 71-51-00 | 01 | 092 | 1 |
| 5306144695978 | 9836405012 | VI9005 | EN3686050012 | | 71-51-00 | 01 | 152 | 1 |
| 5306144695978 | 9836405012 | VI9005 | EN3686050012 | | 71-71-00 | 01 | 072 | 2 |
| 5306144695978 | 9836405012 | VI9005 | EN3686050012 | | 72-61-00 | 01 | 462 | 2 |
| 5306144695978 | 9836405012 | VI9005 | EN3686050012 | | 73-23-08 | 03 | 090 | 1 |
| 5306144695978 | 9836405012 | VI9005 | EN3686050012 | | 74-11-10 | 01 | 012 | 4 |
| 5306144695978 | 9836405012 | VI9005 | EN3686050012 | | 75-29-00 | 01 | 202 | 2 |
| 5306144695978 | 9836405012 | VI9005 | EN3686050012 | | 75-29-00 | 01 | 252 | 2 |
| 5306144695978 | 9836405012 | VI9005 | EN3686050012 | | 75-29-00 | 01 | 454 | 1 |
| 5306144695978 | 9836405012 | VI9005 | EN3686050012 | | 75-29-00 | 01 | 502A | 3 |
| 5306144695978 | 9836405012 | VI9005 | EN3686050012 | | 79-29-00 | 01 | 302A | 1 |
| 5306144695979 | 9836405016 | VI9005 | EN3686050016 | | 72-00-00 | 01 | 300 | 8 |
| 5306144695979 | 9836405016 | VI9005 | EN3686050016 | | 72-15-00 | 01 | 052 | 2 |
| 5306144695979 | 9836405016 | VI9005 | EN3686050016 | | 72-43-00 | 01 | 102 | 2 |
| 5306144695979 | 9836405016 | VI9005 | EN3686050016 | | 72-43-00 | 01 | 152 | 2 |
| 5306144695979 | 9836405016 | VI9005 | EN3686050016 | | 72-43-00 | 01 | 202 | 2 |
| 5306144695979 | 9836405016 | VI9005 | EN3686050016 | | 72-61-00 | 01 | 034 | 17 |
| 5306144695979 | 9836405016 | VI9005 | EN3686050016 | | 72-61-00 | 01 | 652 | 3 |
| 5306144695979 | 9836405016 | VI9005 | EN3686050016 | | 72-61-00 | 02 | 020 | 3 |
| 5306144695979 | 9836405016 | VI9005 | EN3686050016 | | 72-61-10 | 01 | 010 | 23 |
| 5306144695979 | 9836405016 | VI9005 | EN3686050016 | | 74-11-10 | 01 | 102 | 1 |

SAFRAN HELICOPTER ENGINES

ARRIEL 2 C2

MAINTENANCE SPARE PARTS CATALOG

| NATO P/N | SAFRAN HELICOPTER ENGINES P/N | MANUFACTURER | | AIRLINE STOCK No. | CHAP. SECTION SUBJECT | FIG. | ITEM | QTY |
|---------------|-------------------------------------|--------------|---------------|----------------------|-----------------------------|------|------|-----|
| | | CODE | P/N | | | | | |
| 5306144695979 | 9836405016 | VI9005 | EN3686050016 | | 75-41-00 | 01 | 012 | 2 |
| 5306144695979 | 9836405016 | VI9005 | EN3686050016 | | 77-12-00 | 01 | 012 | 3 |
| 5306144695979 | 9836405016 | VI9005 | EN3686050016 | | 77-12-00 | 01 | 017 | 1 |
| 5306144695979 | 9836405016 | VI9005 | EN3686050016 | | 77-12-00 | 01 | 022 | 2 |
| 5306144695979 | 9836405016 | VI9005 | EN3686050016 | | 79-25-00 | 01 | 102 | 2 |
| 5306144695979 | 9836405016 | VI9005 | EN3686050016 | | 79-29-00 | 01 | 152 | 2 |
| 5306144695979 | 9836405016 | VI9005 | EN3686050016 | | 79-29-00 | 01 | 202 | 4 |
| 5306144695979 | 9836405016 | VI9005 | EN3686050016 | | 79-29-00 | 01 | 402 | 2 |
| 5306144695979 | 9836405016 | VI9005 | EN3686050016 | | 79-31-00 | 01 | 012 | 2 |
| 5306144695980 | 9836405018 | VI9005 | EN3686050018 | | 71-71-00 | 01 | 014 | 1 |
| 5306144695980 | 9836405018 | VI9005 | EN3686050018 | | 71-71-00 | 01 | 122 | 2 |
| 5306144695980 | 9836405018 | VI9005 | EN3686050018 | | 72-00-00 | 01 | 220 | 27 |
| 5306144695980 | 9836405018 | VI9005 | EN3686050018 | | 72-00-00 | 01 | 240 | 25 |
| 5306144695980 | 9836405018 | VI9005 | EN3686050018 | | 72-15-00 | 02 | 080 | 1 |
| 5306144695980 | 9836405018 | VI9005 | EN3686050018 | | 72-43-00 | 01 | 102A | 2 |
| 5306144695980 | 9836405018 | VI9005 | EN3686050018 | | 72-43-00 | 01 | 152A | 2 |
| 5306144695980 | 9836405018 | VI9005 | EN3686050018 | | 72-43-00 | 01 | 202A | 2 |
| 5306144695980 | 9836405018 | VI9005 | EN3686050018 | | 72-43-00 | 01 | 252 | 4 |
| 5306144695980 | 9836405018 | VI9005 | EN3686050018 | | 72-43-00 | 02 | 010 | 28 |
| 5306144695980 | 9836405018 | VI9005 | EN3686050018 | | 72-43-00 | 02 | 130 | 3 |
| 5306144695980 | 9836405018 | VI9005 | EN3686050018 | | 77-09-02 | 01 | 012 | 2 |
| 5306144695980 | 9836405018 | VI9005 | EN3686050018 | | 79-25-01 | 01 | 052 | 2 |
| 5306144695981 | 9836405020 | VI9005 | EN3686050020 | | 26-11-00 | 01 | 252 | 2 |
| 5306144695981 | 9836405020 | VI9005 | EN3686050020 | | 71-21-00 | 01 | 012 | 3 |
| 5306144695981 | 9836405020 | VI9005 | EN3686050020 | | 71-21-00 | 01 | 052 | 3 |
| 5306144695981 | 9836405020 | VI9005 | EN3686050020 | | 72-43-10 | 01 | 010 | 8 |
| 5306144695981 | 9836405020 | VI9005 | EN3686050020 | | 72-61-00 | 01 | 340 | 8 |
| 5306144695982 | 9836405026 | VI9005 | EN3686050026 | | 72-61-20 | 01 | 050 | 6 |
| 5306144695982 | 9836405026 | VI9005 | EN3686050026 | | 72-61-30 | 01 | 190A | 2 |
| 5306144695982 | 9836405026 | VI9005 | EN3686050026 | | 79-29-00 | 01 | 052 | 2 |
| 5306144707600 | 9836405022 | VI9005 | EN3686050022 | | 72-00-00 | 01 | 310 | 12 |
| 5306144707600 | 9836405022 | VI9005 | EN3686050022 | | 72-61-00 | 01 | 032 | 2 |
| 5306144707600 | 9836405022 | VI9005 | EN3686050022 | | 72-61-30 | 01 | 170 | 3 |
| 5306144710939 | 9836405024 | VI9005 | EN3686050024 | | 26-11-00 | 01 | 152 | 2 |
| 5306144710939 | 9836405024 | VI9005 | EN3686050024 | | 72-61-30 | 01 | 170A | 3 |
| 5306144710939 | 9836405024 | VI9005 | EN3686050024 | | 72-61-30 | 01 | 170B | 3 |
| 5306144710939 | 9836405024 | VI9005 | EN3686050024 | | 72-61-30 | 01 | 190 | 2 |
| 5306145207002 | 9836005010 | VI9005 | EN2928-050010 | | 77-21-00 | 01 | 012 | 4 |
| 5306145207002 | 9836005010 | VI9005 | EN2928-050010 | | 77-21-00 | 01 | 022 | 4 |
| 5306145293361 | 0000025960 | | | | 73-14-00 | 01 | 013 | 3 |
| 5306145677622 | 9836405050 | VI9005 | EN3686050050 | | 79-25-00 | 01 | 012 | 3 |
| 5306145781829 | 9836407018 | VI9005 | EN3686070018 | | 72-15-20 | 01 | 212 | 6 |
| 5306996669703 | 9836505012 | VI9005 | EN3613-050012 | | 72-43-10 | 01 | 190 | 6 |
| 5306996669703 | 9836505012 | VI9005 | EN3613-050012 | | 72-70-00 | 01 | 010 | 2 |
| 5307143950413 | 0000022670 | | | | 72-00-00 | 01 | 245 | 2 |
| 5307143950413 | 0000022670 | | | | 72-43-00 | 01 | 090 | 1 |
| 5307143950413 | 0000022670 | | | | 72-43-00 | 01 | 090A | 2 |
| 5307144979056 | 0000025840 | | | | 72-15-00 | 02 | 090 | 2 |
| 5307145757932 | 0000026530 | | | | 72-61-10 | 01 | 015 | 1 |
| 5310142095595 | 9998050021 | VF0111 | 23350CA050 | | 71-41-00 | 01 | 054 | 1 |
| 5310142095595 | 9998050021 | VF0111 | 23350CA050 | | 71-51-00 | 01 | 104 | 1 |
| 5310142095595 | 9998050021 | VF0111 | 23350CA050 | | 71-51-00 | 01 | 144 | 1 |
| 5310142095595 | 9998050021 | VF0111 | 23350CA050 | | 72-43-00 | 01 | 464 | 4 |
| 5310142095595 | 9998050021 | VF0111 | 23350CA050 | | 72-43-00 | 01 | 554 | 4 |
| 5310142095595 | 9998050021 | VF0111 | 23350CA050 | | 72-61-00 | 01 | 252 | 1 |

Numerical index of NATO part numbers

00-00-42

Page 8

Dec. 30/2023

SAFRAN HELICOPTER ENGINES

ARRIEL 2 C2

MAINTENANCE SPARE PARTS CATALOG

| NATO P/N | SAFRAN HELICOPTER ENGINES P/N | MANUFACTURER | | AIRLINE STOCK No. | CHAP. SECTION SUBJECT | FIG. | ITEM | QTY |
|---------------|-------------------------------------|--------------|----------------|----------------------|-----------------------------|------|------|-----|
| | | CODE | P/N | | | | | |
| 5310142095595 | 9998050021 | VF0111 | 23350CA050 | | 72-61-00 | 01 | 855 | 1 |
| 5310142095595 | 9998050021 | VF0111 | 23350CA050 | | 73-23-00 | 01 | 022 | 1 |
| 5310142525969 | 9867100400 | VF0111 | 22541N040 | | 72-43-00 | 01 | 304 | 2 |
| 5310142663870 | 9867500501 | VI9005 | EN3196-050 | | 75-31-00 | 01 | 054 | 1 |
| 5310142722264 | 9564090030 | VF0224 | 5SMR2205 | | 73-14-00 | 01 | 104 | 3 |
| 5310142722264 | 9564090030 | VF0224 | 5SMR2205 | | 74-11-10 | 01 | 120 | 5 |
| 5310142722265 | 9564090090 | VF0224 | 5 JSMR 20209 M | | 73-14-00 | 01 | 104A | 3 |
| 5310142722265 | 9564090090 | VF0224 | 5 JSMR 20209 M | | 74-11-10 | 01 | 120A | 5 |
| 5310142828691 | 9975050024 | VF0111 | 23112CF050 | | 72-43-00 | 01 | 080 | 1 |
| 5310142828691 | 9975050024 | VF0111 | 23112CF050 | | 72-43-00 | 01 | 080A | 2 |
| 5310142828691 | 9975050024 | VF0111 | 23112CF050 | | 72-43-00 | 02 | 020 | 3 |
| 5310142828691 | 9975050024 | VF0111 | 23112CF050 | | 72-70-00 | 01 | 030 | 2 |
| 5310142828691 | 9975050024 | VF0111 | 23112CF050 | | 74-11-10 | 01 | 104 | 1 |
| 5310142828691 | 9975050024 | VF0111 | 23112CF050 | | 75-29-00 | 01 | 458 | 1 |
| 5310142828691 | 9975050024 | VF0111 | 23112CF050 | | 79-25-00 | 01 | 014 | 2 |
| 5310142828691 | 9975050024 | VF0111 | 23112CF050 | | 79-25-01 | 01 | 054 | 2 |
| 5310142828691 | 9975050024 | VF0111 | 23112CF050 | | 79-29-00 | 01 | 306 | 1 |
| 5310142863633 | 9564090020 | VF0224 | 5SMR4205 | | 72-00-00 | 01 | 132 | 2 |
| 5310142941801 | 9975070024 | | | | 72-15-20 | 01 | 214 | 6 |
| 5310143180080 | 9879045028 | | | | 72-61-20 | 01 | 010 | 1 |
| 5310143502850 | 9560119880 | VF0224 | 5SMF5209M | | 72-32-10 | 02 | 050 | 3 |
| 5310143737064 | 9866205026 | VF0111 | 22526-050 | | 26-11-00 | 01 | 154 | 2 |
| 5310143737064 | 9866205026 | VI9005 | EN2906-050 | | 26-11-00 | 01 | 154 | 2 |
| 5310143737064 | 9866205026 | VF0111 | 22526-050 | | 26-11-00 | 01 | 254 | 2 |
| 5310143737064 | 9866205026 | VI9005 | EN2906-050 | | 26-11-00 | 01 | 254 | 2 |
| 5310143737064 | 9866205026 | VF0111 | 22526-050 | | 71-51-00 | 01 | 046 | 2 |
| 5310143737064 | 9866205026 | VI9005 | EN2906-050 | | 71-51-00 | 01 | 046 | 2 |
| 5310143737064 | 9866205026 | VF0111 | 22526-050 | | 71-51-00 | 01 | 080 | 1 |
| 5310143737064 | 9866205026 | VI9005 | EN2906-050 | | 71-51-00 | 01 | 080 | 1 |
| 5310143737064 | 9866205026 | VF0111 | 22526-050 | | 71-51-00 | 01 | 090 | 1 |
| 5310143737064 | 9866205026 | VI9005 | EN2906-050 | | 71-51-00 | 01 | 090 | 1 |
| 5310143737064 | 9866205026 | VF0111 | 22526-050 | | 71-71-00 | 01 | 154 | 1 |
| 5310143737064 | 9866205026 | VI9005 | EN2906-050 | | 71-71-00 | 01 | 154 | 1 |
| 5310143737064 | 9866205026 | VF0111 | 22526-050 | | 72-15-00 | 02 | 050 | 1 |
| 5310143737064 | 9866205026 | VI9005 | EN2906-050 | | 72-15-00 | 02 | 050 | 1 |
| 5310143737064 | 9866205026 | VF0111 | 22526-050 | | 72-15-00 | 02 | 082 | 2 |
| 5310143737064 | 9866205026 | VI9005 | EN2906-050 | | 72-15-00 | 02 | 082 | 2 |
| 5310143737064 | 9866205026 | VF0111 | 22526-050 | | 72-43-00 | 01 | 070 | 1 |
| 5310143737064 | 9866205026 | VI9005 | EN2906-050 | | 72-43-00 | 01 | 070 | 1 |
| 5310143737064 | 9866205026 | VF0111 | 22526-050 | | 72-43-00 | 01 | 070A | 2 |
| 5310143737064 | 9866205026 | VI9005 | EN2906-050 | | 72-43-00 | 01 | 070A | 2 |
| 5310143737064 | 9866205026 | VF0111 | 22526-050 | | 72-43-00 | 01 | 254 | 4 |
| 5310143737064 | 9866205026 | VI9005 | EN2906-050 | | 72-43-00 | 01 | 254 | 4 |
| 5310143737064 | 9866205026 | VF0111 | 22526-050 | | 72-43-00 | 02 | 030 | 28 |
| 5310143737064 | 9866205026 | VI9005 | EN2906-050 | | 72-43-00 | 02 | 030 | 28 |
| 5310143737064 | 9866205026 | VF0111 | 22526-050 | | 72-43-00 | 02 | 120 | 3 |
| 5310143737064 | 9866205026 | VI9005 | EN2906-050 | | 72-43-00 | 02 | 120 | 3 |
| 5310143737064 | 9866205026 | VF0111 | 22526-050 | | 72-43-10 | 01 | 130 | 8 |
| 5310143737064 | 9866205026 | VI9005 | EN2906-050 | | 72-43-10 | 01 | 130 | 8 |
| 5310143737064 | 9866205026 | VF0111 | 22526-050 | | 72-61-10 | 01 | 190 | 1 |
| 5310143737064 | 9866205026 | VI9005 | EN2906-050 | | 72-61-10 | 01 | 190 | 1 |
| 5310143737064 | 9866205026 | VF0111 | 22526-050 | | 72-61-30 | 01 | 150 | 4 |
| 5310143737064 | 9866205026 | VI9005 | EN2906-050 | | 72-61-30 | 01 | 150 | 4 |
| 5310143737064 | 9866205026 | VF0111 | 22526-050 | | 72-61-30 | 01 | 150A | 4 |
| 5310143737064 | 9866205026 | VI9005 | EN2906-050 | | 72-61-30 | 01 | 150A | 4 |

SAFRAN HELICOPTER ENGINES

ARRIEL 2 C2

MAINTENANCE SPARE PARTS CATALOG

| NATO P/N | SAFRAN HELICOPTER ENGINES P/N | MANUFACTURER | | AIRLINE STOCK No. | CHAP. SECTION SUBJECT | FIG. | ITEM | QTY |
|---------------|-------------------------------------|--------------|---------------|----------------------|-----------------------------|------|------|-----|
| | | CODE | P/N | | | | | |
| 5310143737064 | 9866205026 | VF0111 | 22526-050 | | 72-61-30 | 01 | 150B | 4 |
| 5310143737064 | 9866205026 | VI9005 | EN2906-050 | | 72-61-30 | 01 | 150B | 4 |
| 5310143737064 | 9866205026 | VF0111 | 22526-050 | | 72-61-30 | 01 | 152 | 1 |
| 5310143737064 | 9866205026 | VI9005 | EN2906-050 | | 72-61-30 | 01 | 152 | 1 |
| 5310143737064 | 9866205026 | VF0111 | 22526-050 | | 75-29-00 | 01 | 456 | 1 |
| 5310143737064 | 9866205026 | VI9005 | EN2906-050 | | 75-29-00 | 01 | 456 | 1 |
| 5310143737064 | 9866205026 | VF0111 | 22526-050 | | 75-29-00 | 01 | 504 | 3 |
| 5310143737064 | 9866205026 | VI9005 | EN2906-050 | | 75-29-00 | 01 | 504 | 3 |
| 5310143737064 | 9866205026 | VF0111 | 22526-050 | | 75-41-00 | 01 | 014 | 1 |
| 5310143737064 | 9866205026 | VI9005 | EN2906-050 | | 75-41-00 | 01 | 014 | 1 |
| 5310143737064 | 9866205026 | VF0111 | 22526-050 | | 77-21-00 | 01 | 030 | 1 |
| 5310143737064 | 9866205026 | VI9005 | EN2906-050 | | 77-21-00 | 01 | 030 | 1 |
| 5310143737064 | 9866205026 | VF0111 | 22526-050 | | 79-29-00 | 01 | 304 | 1 |
| 5310143737064 | 9866205026 | VI9005 | EN2906-050 | | 79-29-00 | 01 | 304 | 1 |
| 5310143790844 | 9866205025 | VI9005 | EN 2907-050 | | 72-61-00 | 01 | 654 | 1 |
| 5310143830580 | 0000450490 | | | | 72-43-00 | 01 | 490 | AR |
| 5310143830580 | 0000450490 | | | | 72-43-00 | 01 | 590 | AR |
| 5310143957071 | 9867201000 | | | | 75-31-00 | 01 | 110 | 1 |
| 5310143970898 | 9749045031 | | | | 72-61-20 | 01 | 020 | 1 |
| 5310144290263 | 9867500500 | VI9005 | EN3377-050 | | 71-21-00 | 01 | 014 | 3 |
| 5310144290263 | 9867500500 | VI9005 | EN3377-050 | | 72-00-00 | 01 | 250 | 27 |
| 5310144793112 | 9867400070 | VI9005 | EN3014-070 | | 72-61-00 | 01 | 050 | 10 |
| 5310144886997 | 0000080910 | | | | 72-00-00 | 01 | 210 | 1 |
| 5310144886997 | 0000080710 | | | | 72-00-00 | 01 | 210A | 1 |
| 5310145023608 | 9867700050 | VI9005 | EN3240-050 | | 71-41-00 | 01 | 020 | 3 |
| 5310145023608 | 9867700050 | VI9005 | EN3240-050 | | 71-51-00 | 01 | 070 | 1 |
| 5310145023608 | 9867700050 | VI9005 | EN3240-050 | | 71-51-00 | 01 | 130 | 2 |
| 5310145023608 | 9867700050 | VI9005 | EN3240-050 | | 71-51-00 | 01 | 154 | 1 |
| 5310145023608 | 9867700050 | VI9005 | EN3240-050 | | 72-61-00 | 01 | 862 | 2 |
| 5310145023608 | 9867700050 | VI9005 | EN3240-050 | | 73-19-00 | 01 | 485 | 1 |
| 5310145223931 | 9880400014 | | | | 72-43-00 | 02 | 090 | 1 |
| 5310145227128 | 9560114640 | VF0224 | 5JSFR50005 | | 72-15-20 | 01 | 026 | 6 |
| 5310145404601 | 0000412530 | | | | 79-24-00 | 01 | 014 | 1 |
| 5310145404601 | 0000412530 | | | | 79-24-00 | 01 | 016 | 1 |
| 5310145404601 | 0000412530 | | | | 79-24-00 | 01 | 018 | 1 |
| 5310145488801 | 0000411870 | | | | 72-61-00 | 01 | 656 | 1 |
| 5310145492113 | 9520011779 | VF1976 | 9486-523-0 | | 75-31-00 | 02 | 060 | 4 |
| 5310145563176 | 0319911380 | | | | 73-23-08 | 03 | 635A | 1 |
| 5310145563178 | 0319911130 | | | | 73-23-08 | 03 | 635 | 1 |
| 5310145659029 | 9867600050 | VI9005 | EN2910-050 | | 72-43-10 | 02 | 010 | 8 |
| 5310145758653 | 9520011853 | VF1976 | 9486-522 | | 75-31-00 | 02 | 120 | 4 |
| 5315143216830 | 9757030600 | | | | 72-43-10 | 01 | 155 | 2 |
| 5315145823554 | 0292840930 | | | | 73-23-08 | 06 | 225 | 1 |
| 5320143078869 | 9961240621 | VF0111 | 21217CA2406 | | 72-00-00 | 01 | 134 | 4 |
| 5320143078869 | 9961240621 | VF0111 | 21217CA2406 | | 73-14-00 | 01 | 102 | 6 |
| 5320143078869 | 9961240621 | VF0111 | 21217CA2406 | | 74-11-10 | 01 | 122 | 10 |
| 5320143388388 | 9960240421 | VF0111 | 21215CA2404 | | 72-32-10 | 02 | 030 | 6 |
| 5320143497329 | 9961240521 | VF0111 | 21217CA2405 | | 72-15-20 | 01 | 028 | 12 |
| 5320143497329 | 9961240521 | VF0111 | 21217CA2405 | | 72-70-00 | 01 | 220 | 14 |
| 5325123891779 | 9729105082 | VI9005 | EN3542-050063 | | 72-43-00 | 02 | 175 | 14 |
| 5325123891779 | 9729105082 | VI9005 | EN3542-050063 | | 72-43-00 | 03 | 010 | 6 |
| 5325123891779 | 9729105082 | VI9005 | EN3542-050063 | | 72-43-00 | 03 | 010A | 4 |
| 5325140400494 | 9745008005 | | | | 72-61-20 | 01 | 032 | 3 |
| 5325144125588 | 9728071004 | VI9005 | EN2944-070140 | | 72-15-20 | 02 | 020 | 6 |
| 5325144128967 | 9728050804 | VI9005 | EN2944-050100 | | 72-15-20 | 02 | 010 | 18 |

Numerical index of NATO part numbers

00-00-42

Page 10
Dec. 30/2023

SAFRAN HELICOPTER ENGINES

ARRIEL 2 C2

MAINTENANCE SPARE PARTS CATALOG

| NATO P/N | SAFRAN HELICOPTER ENGINES P/N | MANUFACTURER | | AIRLINE STOCK No. | CHAP. SECTION SUBJECT | FIG. | ITEM | QTY |
|---------------|-------------------------------------|--------------|---------------|----------------------|-----------------------------|------|------|-----|
| | | CODE | P/N | | | | | |
| 5325144128967 | 9728050804 | VI9005 | EN2944-050100 | | 72-15-30 | 02 | 070 | 52 |
| 5325144128967 | 9728050804 | VI9005 | EN2944-050100 | | 72-61-40 | 01 | 105 | 12 |
| 5325144128967 | 9728050804 | VI9005 | EN2944-050100 | | 72-61-50 | 01 | 020 | 7 |
| 5325144128967 | 9728050804 | VI9005 | EN2944-050100 | | 72-61-50 | 01 | 130 | 42 |
| 5325144128967 | 9728050804 | VI9005 | EN2944-050100 | | 72-61-50 | 01 | 130A | 41 |
| 5325144128967 | 9728050804 | VI9005 | EN2944-050100 | | 72-61-50 | 01 | 260 | 47 |
| 5325144128967 | 9728050804 | VI9005 | EN2944-050100 | | 72-61-50 | 01 | 260A | 49 |
| 5325144128968 | 9728050805 | VI9005 | EN2944-050125 | | 72-00-00 | 01 | 152 | 1 |
| 5325144128971 | 9728061004 | VI9005 | EN2944-060120 | | 72-61-50 | 01 | 030 | 4 |
| 5325144128973 | 9728081253 | VF1699 | 01329080501 | | 73-23-08 | 03 | 112 | 1 |
| 5325144290271 | 9729105083 | VI9005 | EN3542-050075 | | 72-43-00 | 03 | 020 | 14 |
| 5325145348349 | 9728050803 | VI9005 | EN2944-050075 | | 72-32-10 | 02 | 020 | 1 |
| 5325145348349 | 9728050803 | VI9005 | EN2944-050075 | | 72-43-10 | 02 | 040 | 6 |
| 5325145348349 | 9728050803 | VI9005 | EN2944-050075 | | 72-61-00 | 01 | 502 | 2 |
| 5325145348349 | 9728050803 | VI9005 | EN2944-050075 | | 72-61-10 | 01 | 026 | 2 |
| 5325145563189 | 0319910100 | | | | 73-23-08 | 03 | 610 | 1 |
| 5325145563190 | 0319911340 | | | | 73-23-08 | 03 | 610A | 1 |
| 5325145781115 | 0000130850 | | | | 71-71-01 | 01 | 010 | 1 |
| 5325145785013 | 9729107101 | | | | 72-43-10 | 02 | 030 | 1 |
| 5325145998432 | 0000190050 | VF1699 | 01329144001 | | 79-29-00 | 01 | 112A | 1 |
| 5330010435143 | 9560115450 | V04171 | 71075-1 | | 72-61-00 | 01 | 390 | 1 |
| 5330010435143 | 9560115450 | V04171 | 71075-1 | | 72-61-00 | 01 | 440 | 1 |
| 5330010435206 | 9560116010 | V04171 | 021-517 | | 72-61-00 | 01 | 393 | 1 |
| 5330010435206 | 9560116010 | V04171 | 021-517 | | 72-61-00 | 01 | 443 | 1 |
| 5330010435209 | 9560116020 | V04171 | 026-517 | | 72-61-00 | 01 | 394 | 1 |
| 5330010435209 | 9560116020 | V04171 | 026-517 | | 72-61-00 | 01 | 444 | 1 |
| 5330010852785 | 9560140340 | V04171 | 140-517 | | 72-61-20 | 01 | 123 | 1 |
| 5330013675804 | 9560134100 | V04171 | 79008-1 | | 72-61-20 | 01 | 122 | 1 |
| 5330123778285 | 9560174290 | VD8175 | 77612F1 | | 73-23-08 | 03 | 650A | 1 |
| 5330123778285 | 9560910020 | VD8175 | ISTJMB003327 | | 73-23-08 | 03 | 650B | 1 |
| 5330140100890 | 9752005044 | | | | 72-61-20 | 01 | 060 | 6 |
| 5330140323858 | 9752100080 | | | | 73-19-00 | 01 | 370 | 2 |
| 5330142162794 | 9752004044 | | | | 72-43-00 | 01 | 360 | 1 |
| 5330143300649 | 9520010794 | VF1976 | 9220-004-0 | | 75-31-00 | 02 | 020 | 1 |
| 5330143451198 | 9752100100 | | | | 75-29-00 | 01 | 560 | 1 |
| 5330143451198 | 9752100100 | | | | 75-31-00 | 01 | 080 | 1 |
| 5330143785655 | 0000230870 | | | | 72-43-00 | 01 | 482 | AR |
| 5330143785655 | 0000230870 | | | | 72-43-00 | 01 | 502 | AR |
| 5330143785655 | 0000230870 | | | | 72-43-00 | 01 | 562 | 2 |
| 5330143785655 | 0000230870 | | | | 72-43-00 | 01 | 582 | AR |
| 5330143785655 | 0000230870 | | | | 72-43-00 | 01 | 602 | AR |
| 5330143790851 | 0000230850 | | | | 72-43-00 | 01 | 480 | AR |
| 5330143790851 | 0000230850 | | | | 72-43-00 | 01 | 500 | AR |
| 5330143790851 | 0000230850 | | | | 72-43-00 | 01 | 560 | 2 |
| 5330143790851 | 0000230850 | | | | 72-43-00 | 01 | 580 | AR |
| 5330143790851 | 0000230850 | | | | 72-43-00 | 01 | 600 | AR |
| 5330143970869 | 0292102940 | | | | 72-61-20 | 01 | 100 | 1 |
| 5330143970871 | 0292108170 | | | | 72-61-20 | 01 | 120 | 1 |
| 5330144677689 | 9945000060 | | | | 75-29-00 | 01 | 030 | 1 |
| 5330144677689 | 9945000060 | | | | 75-29-00 | 01 | 230 | 1 |
| 5330144677689 | 9945000060 | | | | 75-29-00 | 01 | 320 | 1 |
| 5330144677689 | 9945000060 | | | | 75-29-00 | 01 | 430 | 1 |
| 5330144677689 | 9945000060 | | | | 75-29-00 | 01 | 480 | 1 |
| 5330144677689 | 9945000060 | | | | 75-29-00 | 01 | 530 | 1 |
| 5330144677691 | 9945000120 | | | | 71-71-00 | 01 | 090 | 1 |

SAFRAN HELICOPTER ENGINES

ARRIEL 2 C2

MAINTENANCE SPARE PARTS CATALOG

| NATO P/N | SAFRAN HELICOPTER ENGINES P/N | MANUFACTURER | | AIRLINE STOCK No. | CHAP. SECTION SUBJECT | FIG. | ITEM | QTY |
|---------------|-------------------------------------|--------------|--------------|----------------------|-----------------------------|------|------|-----|
| | | CODE | P/N | | | | | |
| 5330144677691 | 9945000120 | | | | 72-43-00 | 01 | 620 | 1 |
| 5330144677691 | 9945000120 | | | | 75-29-00 | 01 | 280 | 1 |
| 5330145782858 | 9560166810 | VF1253 | 3-12ZA00-921 | | 72-43-00 | 01 | 130 | 1 |
| 5330145782858 | 9560166810 | VF1253 | 3-12ZA00-921 | | 72-43-00 | 01 | 180 | 1 |
| 5330145782858 | 9560166810 | VF1253 | 3-12ZA00-921 | | 72-43-00 | 01 | 230 | 1 |
| 5330145785023 | 9752100070 | | | | 72-43-10 | 02 | 020 | 1 |
| 5330145823647 | 0292510100 | | | | 72-43-00 | 01 | 132 | 1 |
| 5330145823647 | 0292510100 | | | | 72-43-00 | 01 | 182 | 1 |
| 5330145823647 | 0292510100 | | | | 72-43-00 | 01 | 232 | 1 |
| 5330145823661 | 0292510120 | | | | 72-43-00 | 01 | 132A | 1 |
| 5330145823661 | 0292510120 | | | | 72-43-00 | 01 | 182A | 1 |
| 5330145823661 | 0292510120 | | | | 72-43-00 | 01 | 232A | 1 |
| 5330145930355 | 9560159030 | VF0229 | EX5639-61D6 | | 73-23-08 | 03 | 710 | 1 |
| 5330145930355 | 9560159030 | VU1068 | EX5639-61D6 | | 73-23-08 | 03 | 710 | 1 |
| 5330145998427 | 9560177240 | VFA3W9 | 30004937 | | 72-43-00 | 01 | 110 | 1 |
| 5330145998427 | 9560177240 | VFA3W9 | 30004937 | | 72-43-00 | 01 | 160 | 1 |
| 5330145998427 | 9560177240 | VFA3W9 | 30004937 | | 72-43-00 | 01 | 210 | 1 |
| 5331001727188 | 9560140350 | V04171 | 146517 | | 72-61-20 | 01 | 124 | 1 |
| 5331016237068 | 9560142440 | V04171 | 140-567 | | 72-61-20 | 01 | 123A | 1 |
| 5331016237068 | 9560156580 | V04171 | 140-547 | | 72-61-20 | 01 | 123B | 1 |
| 5331016237071 | 9560142450 | V04171 | 146-567 | | 72-61-20 | 01 | 124A | 1 |
| 5331016237071 | 9560156880 | V04171 | 146-547 | | 72-61-20 | 01 | 124B | 1 |
| 5331142928948 | 9682001605 | | | | 73-23-08 | 03 | 645 | 1 |
| 5331143790646 | 9682002402 | | | | 79-25-01 | 01 | 080 | 1 |
| 5331143790652 | 9794080203 | | | | 75-31-00 | 01 | 100 | 1 |
| 5331143790652 | 9794080203 | | | | 75-31-00 | 01 | 180 | 1 |
| 5331143914142 | 9794172203 | | | | 72-00-00 | 01 | 350 | 1 |
| 5331143914142 | 9794172203 | | | | 72-61-10 | 01 | 080 | 1 |
| 5331143938283 | 9794095203 | | | | 72-00-00 | 01 | 360 | 2 |
| 5331143938283 | 9794095203 | | | | 72-61-10 | 01 | 130 | 1 |
| 5331143938330 | 9681900573 | | | | 72-43-00 | 01 | 330 | 2 |
| 5331143938331 | 9682004004 | | | | 72-61-00 | 01 | 380 | 1 |
| 5331143957057 | 9681801222 | | | | 77-12-00 | 01 | 040 | 3 |
| 5331143957143 | 9794190253 | | | | 72-15-00 | 01 | 140 | 1 |
| 5331143957143 | 9794190253 | | | | 72-15-00 | 01 | 160 | 1 |
| 5331143957143 | 9794190253 | | | | 72-61-00 | 01 | 180 | 1 |
| 5331143957143 | 9794190253 | | | | 72-61-00 | 01 | 210 | 1 |
| 5331144008189 | 9681500404 | | | | 79-24-00 | 01 | 015 | 1 |
| 5331144008189 | 9681500404 | | | | 79-24-00 | 01 | 017 | 1 |
| 5331144008189 | 9681500404 | | | | 79-24-00 | 01 | 019 | 1 |
| 5331144008190 | 9681500504 | | | | 72-61-00 | 01 | 020 | 1 |
| 5331144008193 | 9681501054 | | | | 72-61-10 | 01 | 100 | 1 |
| 5331144008197 | 9681506552 | | | | 72-15-20 | 01 | 240 | 1 |
| 5331144008200 | 9681508502 | | | | 72-00-00 | 01 | 290 | 2 |
| 5331144008204 | 9682001372 | | | | 72-61-00 | 01 | 090 | 1 |
| 5331144008204 | 9682001372 | | | | 72-61-00 | 01 | 120 | 1 |
| 5331144008207 | 9682003092 | | | | 72-00-00 | 01 | 180 | 1 |
| 5331144008209 | 9682011203 | | | | 72-61-20 | 01 | 180 | 1 |
| 5331144008210 | 9682013102 | | | | 72-00-00 | 01 | 340 | 1 |
| 5331144008212 | 9682504402 | | | | 72-61-20 | 01 | 190 | 1 |
| 5331144008214 | 9682508403 | | | | 72-00-00 | 01 | 280 | 1 |
| 5331144142830 | 9682011652 | | | | 72-61-10 | 01 | 050 | 1 |
| 5331144191015 | 9794410056 | VF0111 | 46012A00560 | | 71-71-00 | 01 | 040 | 1 |
| 5331144191015 | 9794410056 | VF0111 | 46012A00560 | | 72-15-00 | 01 | 080 | 1 |
| 5331144191015 | 9794410056 | VF0111 | 46012A00560 | | 73-19-00 | 01 | 320 | 1 |

SAFRAN HELICOPTER ENGINES

ARRIEL 2 C2

MAINTENANCE SPARE PARTS CATALOG

| NATO P/N | SAFRAN HELICOPTER ENGINES P/N | MANUFACTURER | | AIRLINE STOCK No. | CHAP. SECTION SUBJECT | FIG. | ITEM | QTY |
|---------------|-------------------------------------|--------------|------------------|----------------------|-----------------------------|------|------|-----|
| | | CODE | P/N | | | | | |
| 5331144191015 | 9794410056 | VF0111 | 46012A00560 | | 73-19-00 | 01 | 440 | 1 |
| 5331144191015 | 9794410056 | VF0111 | 46012A00560 | | 75-29-00 | 01 | 440 | 1 |
| 5331144191015 | 9794410056 | VF0111 | 46012A00560 | | 75-29-00 | 01 | 490 | 1 |
| 5331144191015 | 9794410056 | VF0111 | 46012A00560 | | 79-29-00 | 01 | 030 | 1 |
| 5331144191015 | 9794410056 | VF0111 | 46012A00560 | | 79-29-00 | 01 | 230 | 2 |
| 5331144191016 | 9794410075 | VF0111 | 46012A00750 | | 71-71-00 | 01 | 180 | 1 |
| 5331144191016 | 9794410075 | VF0111 | 46012A00750 | | 73-19-00 | 01 | 040 | 1 |
| 5331144191016 | 9794410075 | VF0111 | 46012A00750 | | 79-29-00 | 01 | 080 | 1 |
| 5331144191016 | 9794410075 | VF0111 | 46012A00750 | | 79-29-00 | 01 | 090 | 1 |
| 5331144191016 | 9794410075 | VF0111 | 46012A00750 | | 79-29-00 | 01 | 140 | 2 |
| 5331144191016 | 9794410075 | VF0111 | 46012A00750 | | 79-29-00 | 01 | 140A | 1 |
| 5331144191016 | 9794410075 | VF0111 | 46012A00750 | | 79-29-00 | 01 | 180 | 1 |
| 5331144191017 | 9794410095 | VF0111 | 46012A00950 | | 73-19-00 | 01 | 570 | 1 |
| 5331144191017 | 9794410095 | VF0111 | 46012A00950 | | 73-19-00 | 01 | 580 | 1 |
| 5331144191017 | 9794410095 | VF0111 | 46012A00950 | | 73-19-00 | 01 | 630 | 1 |
| 5331144191017 | 9794410095 | VF0111 | 46012A00950 | | 73-19-00 | 01 | 640 | 1 |
| 5331144191018 | 9794410150 | VF0111 | 46012A01500 | | 73-14-01 | 01 | 110 | 1 |
| 5331144191018 | 9794410150 | VF0111 | 46012A01500 | | 79-24-00 | 01 | 130 | 1 |
| 5331144191018 | 9794410150 | VF0111 | 46012A01500 | | 79-25-00 | 01 | 130 | 1 |
| 5331144191018 | 9794410150 | VF0111 | 46012A01500 | | 79-29-00 | 01 | 340 | 1 |
| 5331144191018 | 9794410150 | VF0111 | 46012A01500 | | 79-29-00 | 01 | 430 | 1 |
| 5331144191020 | 9794410500 | VF0111 | 46012A05000 | | 72-61-00 | 01 | 690 | 1 |
| 5331144191021 | 9794420560 | VF0111 | 46012B05600 | | 72-61-00 | 01 | 620 | 1 |
| 5331144215611 | 9681501153 | | | | 72-61-10 | 01 | 110 | 1 |
| 5331144252524 | 9794710106 | | | | 73-23-08 | 03 | 330 | 1 |
| 5331144290275 | 9794410069 | VF0111 | 46012A00690 | | 72-15-00 | 01 | 104 | 1 |
| 5331144290277 | 9794410100 | VF0111 | 46012A01000 | | 79-25-01 | 01 | 180 | 1 |
| 5331144290277 | 9794410100 | VF0111 | 46012A01000 | | 79-31-00 | 01 | 030 | 1 |
| 5331144290279 | 9794410118 | VF0111 | 46012A01180 | | 73-14-01 | 01 | 040 | 1 |
| 5331144308930 | 9794410132 | VF0111 | 46012A01320 | | 73-19-00 | 01 | 030 | 1 |
| 5331144364441 | 9794410236 | VF0111 | 46012A02360 | | 73-23-08 | 03 | 620 | 1 |
| 5331144364441 | 9794410236 | VF0111 | 46012A02360 | | 79-38-00 | 01 | 050 | 1 |
| 5331144430196 | 9520011818 | VF0559 | AJ-0187701780EAO | | 72-61-00 | 01 | 473 | 1 |
| 5331144430196 | 9520011818 | VF0559 | AJ-0187701780EAO | | 73-23-08 | 03 | 283 | 1 |
| 5331144435923 | 9794410140 | VF0111 | 46012A01400 | | 72-61-00 | 01 | 720 | 1 |
| 5331144435923 | 9794410140 | VF0111 | 46012A01400 | | 72-61-00 | 01 | 750 | 1 |
| 5331144435923 | 9794410140 | VF0111 | 46012A01400 | | 72-61-00 | 01 | 910 | 1 |
| 5331144435923 | 9794410140 | VF0111 | 46012A01400 | | 72-61-00 | 01 | 960 | 1 |
| 5331144435923 | 9794410140 | VF0111 | 46012A01400 | | 72-61-00 | 02 | 050 | 1 |
| 5331144435923 | 9794410140 | VF0111 | 46012A01400 | | 73-14-01 | 01 | 050 | 1 |
| 5331144435923 | 9794410140 | VF0111 | 46012A01400 | | 73-14-01 | 01 | 100 | 1 |
| 5331144435923 | 9794410140 | VF0111 | 46012A01400 | | 77-11-00 | 01 | 040 | 1 |
| 5331144677664 | 9794410063 | VF0111 | 46012A00630 | | 73-23-08 | 02 | 195 | 1 |
| 5331144677666 | 9794410088 | VF0111 | 46012A00875 | | 72-00-00 | 01 | 270 | 2 |
| 5331144677668 | 9794410106 | VF0111 | 46012A01060 | | 73-14-01 | 01 | 030 | 1 |
| 5331144677668 | 9794410106 | VF0111 | 46012A01060 | | 79-25-00 | 01 | 030 | 1 |
| 5331144677669 | 9794410125 | VF0111 | 46012A01250 | | 72-61-00 | 01 | 480 | 1 |
| 5331144677669 | 9794410125 | VF0111 | 46012A01250 | | 79-25-00 | 01 | 040 | 1 |
| 5331144677671 | 9794410180 | VF0111 | 46012A01800 | | 72-61-00 | 01 | 473A | 1 |
| 5331144677671 | 9794410180 | VF0111 | 46012A01800 | | 72-61-00 | 01 | 490 | 1 |
| 5331144677671 | 9794410180 | VF0111 | 46012A01800 | | 72-61-00 | 02 | 060 | 1 |
| 5331144677671 | 9794410180 | VF0111 | 46012A01800 | | 73-23-08 | 03 | 283A | 1 |
| 5331144677674 | 9794410355 | VF0111 | 46012A03550 | | 72-61-00 | 01 | 420 | 1 |
| 5331144677677 | 9794410670 | VF0111 | 46012A06700 | | 79-24-01 | 01 | 450 | 2 |
| 5331144677677 | 9794410670 | VF0111 | 46012A06700 | | 79-24-01 | 01 | 450A | 1 |

SAFRAN HELICOPTER ENGINES

ARRIEL 2 C2

MAINTENANCE SPARE PARTS CATALOG

| NATO P/N | SAFRAN HELICOPTER ENGINES P/N | MANUFACTURER | | AIRLINE STOCK No. | CHAP. SECTION SUBJECT | FIG. | ITEM | QTY |
|---------------|-------------------------------------|--------------|---------------------|----------------------|-----------------------------|------|------|-----|
| | | CODE | P/N | | | | | |
| 5331144695964 | 9794410365 | VF0111 | 46012A03650 | | 72-61-00 | 01 | 430 | 1 |
| 5331144710936 | 9794410710 | VF0111 | 46012A07100 | | 79-24-01 | 01 | 450B | 1 |
| 5331144710938 | 9794420530 | VF0111 | 46012B05300 | | 73-23-08 | 03 | 140 | 1 |
| 5331144755303 | 9794420400 | VF0111 | 46012B04000 | | 72-61-00 | 01 | 510 | 1 |
| 5331144819116 | 9794410060 | VF0111 | 46012A00600 | | 72-32-10 | 01 | 360 | 1 |
| 5331144819116 | 9794410060 | VF0111 | 46012A00600 | | 72-61-00 | 01 | 144 | 1 |
| 5331144842522 | 9683001083 | | | | 79-25-01 | 01 | 130 | 1 |
| 5331144858003 | 9794710088 | | | | 73-23-08 | 02 | 190 | 1 |
| 5331144858004 | 9794710200 | | | | 73-23-08 | 03 | 300 | 1 |
| 5331144858004 | 9794710200 | | | | 73-23-08 | 03 | 655 | 1 |
| 5331144900348 | 9794710236 | | | | 73-23-08 | 03 | 620A | 1 |
| 5331145067157 | 9794420475 | VF0111 | 46012B04750 | | 73-23-08 | 03 | 130 | 1 |
| 5331145067158 | 9794430250 | VF0111 | 46012C02500 | | 72-61-00 | 01 | 530 | 2 |
| 5331145067158 | 9794430250 | VF0111 | 46012C02500 | | 73-23-08 | 03 | 160 | 2 |
| 5331145228795 | 9794420080 | VF0111 | 46012B00800 | | 79-38-00 | 01 | 032 | 1 |
| 5331145249967 | 9794410085 | VF0111 | 46012A00850 | | 71-71-00 | 01 | 140 | 1 |
| 5331145488333 | 9794410053 | VF0111 | 46012A00530 | | 73-23-08 | 03 | 610B | 1 |
| 5331145488682 | 9794710080 | | | | 73-23-08 | 02 | 185 | 1 |
| 5331145488689 | 9794710125 | | | | 73-23-08 | 03 | 240 | 1 |
| 5331145488695 | 9794710140 | | | | 73-23-08 | 03 | 250 | 1 |
| 5331145537478 | 9681503502 | | | | 72-61-30 | 01 | 020 | 1 |
| 5331145545826 | 9794710075 | | | | 73-23-08 | 02 | 180 | 1 |
| 5331145556176 | 9794710028 | | | | 73-23-08 | 03 | 700 | 1 |
| 5331145561055 | 9794420236 | VF0111 | 46012B02360 | | 72-61-00 | 01 | 580 | 1 |
| 5331145563188 | 9794710300 | | | | 73-23-08 | 03 | 690 | 1 |
| 5331145674609 | 9794710170 | | | | 73-23-08 | 03 | 290 | 1 |
| 5331145724495 | 9520011774 | VF1976 | 9200-030-0 | | 75-31-00 | 02 | 100 | 1 |
| 5331145724498 | 9520011845 | VF1976 | 9193-035-0 | | 75-31-00 | 02 | 070 | 1 |
| 5331145782889 | 9794420487 | VF0111 | 46012B04870 | | 72-61-00 | 01 | 570 | 1 |
| 5331145782890 | 9794420545 | VF0111 | 46012B05450 | | 73-23-08 | 03 | 140A | 1 |
| 5331145783534 | 9560165990 | VF0384 | OR10X2-70FFKM151400 | | 72-43-00 | 01 | 270 | 1 |
| 5331145783534 | 9560165990 | VF0384 | OR10X2-70FFKM151400 | | 72-43-00 | 01 | 280 | 1 |
| 5331145783534 | 9560165990 | VF0384 | OR10X2-70FFKM151400 | | 72-43-00 | 01 | 290 | 1 |
| 5331145785031 | 9794420580 | VF0111 | 46012B05800 | | 72-61-00 | 01 | 610 | 1 |
| 5331145785176 | 9560176660 | VF0384 | 49082243 | | 72-43-00 | 01 | 270A | 1 |
| 5331145785176 | 9560176660 | VF0384 | 49082243 | | 72-43-00 | 01 | 280A | 1 |
| 5331145785176 | 9560176660 | VF0384 | 49082243 | | 72-43-00 | 01 | 290A | 1 |
| 5331145823604 | 9794710053 | | | | 73-23-08 | 02 | 020 | 1 |
| 5340142137579 | 9789221500 | | | | 71-91-00 | 01 | 100 | 1 |
| 5340142137579 | 9789221500 | | | | 71-91-00 | 01 | 165 | 1 |
| 5340142933960 | 0400410010 | VU1653 | AS12811 | | 73-19-00 | 01 | 470 | 1 |
| 5340142933960 | 0400410010 | VU1653 | AS12811 | | 75-29-00 | 01 | 462 | 2 |
| 5340142933961 | 0400420010 | VU1653 | AS12841 | | 73-19-00 | 01 | 460 | 1 |
| 5340142933961 | 0400420010 | VU1653 | AS12841 | | 75-29-00 | 01 | 460 | 2 |
| 5340143122869 | 0268980110 | | | | 72-61-00 | 01 | 256 | 2 |
| 5340143122869 | 0268980110 | | | | 73-23-00 | 01 | 026 | 2 |
| 5340143142395 | 0210140070 | | | | 79-25-01 | 01 | 100 | 1 |
| 5340143298280 | 9560117610 | VF0215 | 9560117610 | | 71-51-00 | 01 | 076B | 1 |
| 5340143298280 | 9560117610 | VF0355 | 58 0 171 002 | | 71-51-00 | 01 | 076B | 1 |
| 5340143388782 | 0400410020 | VU1653 | AS12812 | | 71-71-00 | 01 | 156 | 1 |
| 5340143388782 | 0400410020 | VU1653 | AS12812 | | 79-29-00 | 01 | 310 | 1 |
| 5340143388786 | 0400420020 | VU1653 | AS12842 | | 71-71-00 | 01 | 158 | 1 |
| 5340143388786 | 0400420020 | VU1653 | AS12842 | | 79-29-00 | 01 | 308 | 1 |
| 5340143668631 | 9560154770 | VF0215 | 11N6 | | 75-29-00 | 01 | 506 | 3 |
| 5340143853986 | 0301000850 | | | | 71-51-00 | 01 | 086 | 1 |

Numerical index of NATO part numbers

00-00-42

Page 14

Dec. 30/2023

SAFRAN HELICOPTER ENGINES

ARRIEL 2 C2

MAINTENANCE SPARE PARTS CATALOG

| NATO P/N | SAFRAN HELICOPTER ENGINES P/N | MANUFACTURER | | AIRLINE STOCK No. | CHAP. SECTION SUBJECT | FIG. | ITEM | QTY |
|---------------|-------------------------------------|--------------|------------------|----------------------|-----------------------------|------|------|-----|
| | | CODE | P/N | | | | | |
| 5340144002613 | 0301010540 | | | | 71-51-00 | 01 | 082 | 1 |
| 5340144002613 | 0301010540 | | | | 71-71-00 | 01 | 162 | 1 |
| 5340144002613 | 0301010540 | | | | 75-29-00 | 01 | 508 | 3 |
| 5340144002613 | 0301010540 | | | | 79-29-00 | 01 | 314 | 1 |
| 5340144112406 | 9562811300 | VF0215 | 21F6 | | 71-51-00 | 01 | 076 | 1 |
| 5340144112406 | 9562811300 | VF0215 | 21F6 | | 77-21-00 | 01 | 016 | 1 |
| 5340144182210 | 0319767180 | | | | 77-21-00 | 01 | 026A | 1 |
| 5340144192195 | 9560151220 | VF0215 | 21F15 | | 71-51-00 | 01 | 054 | 1 |
| 5340144192197 | 9560151240 | VF0215 | 21F19 | | 71-51-00 | 01 | 060 | 1 |
| 5340144192198 | 9560151250 | VF0215 | 21F21 | | 71-51-00 | 01 | 060A | 1 |
| 5340144217293 | 0333767010 | | | | 77-21-00 | 01 | 026 | 1 |
| 5340144435935 | 0333750630 | | | | 72-61-10 | 01 | 180 | 1 |
| 5340144435935 | 0333750630 | | | | 77-21-00 | 01 | 034 | 1 |
| 5340144704084 | 9560158950 | VF0355 | 580-181-020 | | 71-51-00 | 01 | 084 | 2 |
| 5340144839462 | 9560128730 | VF0224 | 5080LATE10CMK-BD | | 72-70-00 | 01 | 240 | 7 |
| 5340144844260 | 9560166220 | VF0215 | 9560166220 | | 71-51-00 | 01 | 072 | 2 |
| 5340144844261 | 9560166230 | VF0215 | 9560166230 | | 71-51-00 | 01 | 042 | 4 |
| 5340144844262 | 9560166240 | VF0215 | 9560166240 | | 71-51-00 | 01 | 044 | 2 |
| 5340145067071 | 0319767900 | | | | 74-24-10 | 01 | 020 | 3 |
| 5340145172142 | 9562811260 | VF0215 | 21F9,5 | | 77-21-00 | 01 | 016A | 1 |
| 5340145172142 | 9562811260 | VF0215 | 21F9,5 | | 77-21-00 | 01 | 032 | 1 |
| 5340145227408 | 9560166210 | VF0215 | 9560166210 | | 71-51-00 | 01 | 040 | 3 |
| 5340145227408 | 9560166210 | VF0215 | 9560166210 | | 71-51-00 | 01 | 066 | 1 |
| 5340145468462 | 0235341360 | | | | 71-51-00 | 01 | 050 | 1 |
| 5340145488822 | 9520011817 | VF0559 | PAO 1583 A | | 72-61-00 | 01 | 472 | 1 |
| 5340145488822 | 9520011817 | VF0559 | PAO 1583 A | | 73-23-08 | 03 | 282 | 1 |
| 5340145558064 | 0292910020 | | | | 72-15-20 | 01 | 210 | 1 |
| 5340145757908 | 0292750010 | | | | 72-61-10 | 01 | 140A | 2 |
| 5340145757910 | 0292750150 | | | | 72-61-10 | 01 | 140 | 2 |
| 5340145757917 | 0292817480 | | | | 72-70-00 | 01 | 050 | 1 |
| 5340145758020 | 0268987150 | | | | 72-61-00 | 01 | 250 | 1 |
| 5340145758020 | 0268987150 | | | | 73-23-00 | 01 | 020 | 1 |
| 5340145778912 | 9560169680 | VF0215 | 9560169680 | | 72-61-00 | 01 | 254 | 1 |
| 5340145778912 | 9560169680 | VF0215 | 9560169680 | | 73-23-00 | 01 | 024 | 1 |
| 5340145780377 | 0319140620 | | | | 72-61-00 | 01 | 700 | 1 |
| 5340145780377 | 0319140620 | | | | 72-61-00 | 01 | 730 | 1 |
| 5340145780377 | 0319140620 | | | | 72-61-00 | 01 | 940 | 1 |
| 5340145780402 | 0319910660 | | | | 73-23-08 | 03 | 100 | 1 |
| 5340145784988 | 9560175960 | VF0355 | 580 101 191 | | 71-51-00 | 01 | 076A | 1 |
| 5340145823539 | 0292510040 | | | | 72-43-00 | 01 | 140 | 1 |
| 5340145823539 | 0292510040 | | | | 72-43-00 | 01 | 190 | 1 |
| 5340145823539 | 0292510040 | | | | 72-43-00 | 01 | 240 | 1 |
| 5340145823710 | 0292510080 | | | | 72-43-00 | 01 | 135 | 1 |
| 5340145823710 | 0292510080 | | | | 72-43-00 | 01 | 185 | 1 |
| 5340145823710 | 0292510080 | | | | 72-43-00 | 01 | 235 | 1 |
| 5340145823712 | 0292917240 | | | | 73-23-08 | 03 | 110 | 1 |
| 5340145932772 | 0292720560 | | | | 79-25-01 | 01 | 050A | 1 |
| 5342144008169 | 9560125160 | VF6275 | C6048-25.B-ISO | | 75-31-00 | 01 | 052 | 1 |
| 5360143203100 | 0000507990 | | | | 79-25-01 | 01 | 110 | 1 |
| 5360144283007 | 9520010793 | VF1976 | 9900-277-0 | | 75-31-00 | 02 | 030 | 1 |
| 5360145561038 | 0292120800 | | | | 72-61-00 | 01 | 540 | 1 |
| 5360145780984 | 0292680560 | | | | 71-71-01 | 01 | 020 | 1 |
| 5365140323863 | 0000450500 | | | | 72-43-00 | 01 | 492 | AR |
| 5365140323863 | 0000450500 | | | | 72-43-00 | 01 | 592 | AR |
| 5365143072042 | 9740050022 | | | | 72-15-00 | 02 | 060 | 1 |

SAFRAN HELICOPTER ENGINES

ARRIEL 2 C2

MAINTENANCE SPARE PARTS CATALOG

| NATO P/N | SAFRAN HELICOPTER ENGINES P/N | MANUFACTURER | | AIRLINE STOCK No. | CHAP. SECTION SUBJECT | FIG. | ITEM | QTY |
|---------------|-------------------------------------|--------------|-----------------|----------------------|-----------------------------|------|------|-----|
| | | CODE | P/N | | | | | |
| 5365143072042 | 9740050022 | | | | 72-15-00 | 02 | 084 | 2 |
| 5365143180082 | 9994050024 | | | | 72-32-10 | 01 | 335A | 1 |
| 5365143180082 | 9994050024 | | | | 72-32-10 | 01 | 340 | 1 |
| 5365143760363 | 9892100070 | | | | 72-15-00 | 01 | 150 | 1 |
| 5365143760363 | 9892100070 | | | | 72-61-00 | 01 | 200 | 1 |
| 5365143934316 | 9786510100 | | | | 75-31-00 | 01 | 070 | 1 |
| 5365144095136 | 0292750390 | | | | 72-61-10 | 01 | 150 | 2 |
| 5365144125537 | 0292750400 | | | | 72-61-10 | 01 | 160 | 4 |
| 5365144283006 | 9520010792 | VF1976 | 1091-203-0 | | 75-31-00 | 02 | 010 | 1 |
| 5365145143525 | 0292103360 | | | | 72-61-50 | 01 | 010 | 1 |
| 5365145229692 | 0000130960 | | | | 79-29-00 | 01 | 105 | 1 |
| 5365145304858 | 0292152460 | | | | 72-32-10 | 02 | 010 | 3 |
| 5365145462545 | 9520011819 | VF0559 | 07550200106559A | | 72-61-00 | 01 | 470 | 1 |
| 5365145462545 | 9520011819 | VF0559 | 07550200106559A | | 73-23-08 | 03 | 280 | 1 |
| 5365145462546 | 9520011820 | VF0559 | 07550200105559A | | 72-61-00 | 01 | 471 | 1 |
| 5365145462546 | 9520011820 | VF0559 | 07550200105559A | | 73-23-08 | 03 | 281 | 1 |
| 5365145557032 | 0292102950 | | | | 72-61-20 | 01 | 127 | 1 |
| 5365145758649 | 9520011847 | VF1976 | 1091.101.0 | | 75-31-00 | 02 | 090 | 1 |
| 5365145780494 | 0292460060 | | | | 72-43-00 | 03 | 030 | 3 |
| 5365145780498 | 0292810620 | | | | 72-43-00 | 02 | 053 | 3 |
| 5365145780500 | 7292152461 | | | | 72-32-10 | 02 | 010A | 3 |
| 5365145780502 | 7292152463 | | | | 72-32-10 | 02 | 010B | 3 |
| 5365145780503 | 7292152466 | | | | 72-32-10 | 02 | 010C | 3 |
| 5365145784968 | 9560167230 | VF0183 | 28460 | | 72-61-00 | 01 | 900 | 1 |
| 5365145823572 | 0292510360 | | | | 72-43-10 | 01 | 110 | 1 |
| 5365145932774 | 0292720960 | | | | 79-25-01 | 01 | 150A | 1 |
| 5930014779822 | 9550170040 | V98505 | 8585-1 | | 79-31-00 | 01 | 010 | 1 |
| 5930015655845 | 9550179560 | V98505 | 8576-3 | | 73-23-08 | 03 | 310C | 1 |
| 5930015655846 | 9550172810 | V98505 | 8576-2 | | 73-23-08 | 03 | 310A | 1 |
| 5930145067052 | 9550171990 | VF1976 | 1423-100 | | 73-23-08 | 03 | 310 | 1 |
| 5930145489550 | 9550172000 | VF0559 | JA00592A | | 73-23-08 | 03 | 220 | 1 |
| 5930145550281 | 9550179130 | VF1976 | 1423-200 | | 73-23-08 | 03 | 310B | 1 |
| 5930145674515 | 0177987070 | | | | 72-61-20 | 01 | 280 | 1 |
| 5935145424078 | 9550171750 | VF9211 | 4901-1 | | 79-38-00 | 01 | 010 | 1 |
| 5970142933962 | 0400430060 | VU1653 | AS12872 | | 73-19-00 | 01 | 480 | 1 |
| 5970142933962 | 0400430060 | VU1653 | AS12872 | | 75-29-00 | 01 | 464 | 2 |
| 5970143114657 | 0400430080 | VU1653 | AS12874 | | 71-71-00 | 01 | 160 | 1 |
| 5970143114657 | 0400430080 | VU1653 | AS12874 | | 79-29-00 | 01 | 312 | 1 |
| 5970144315279 | 9590003191 | VF6071 | VERNELEC43022 | | 77-09-02 | 01 | 160 | AR |
| 5970144380660 | 9550163892 | VF0286 | RNF3000-24/8-9 | | 71-51-00 | 01 | 052 | AR |
| 5970144380660 | 9550163892 | VF0286 | RNF3000-24/8-9 | | 71-51-00 | 01 | 056 | AR |
| 5970144704077 | 9550163872 | VF0286 | RNF3000-24/8-4 | | 71-51-00 | 01 | 062 | AR |
| 5970144704078 | 9550163882 | VF0286 | RNF3000-24/8-6 | | 71-51-00 | 01 | 074 | AR |
| 5975010505225 | 9560133940 | VFAAM1 | TYZ25M | | 71-51-00 | 01 | 095 | 3 |
| 5975010505225 | 9560133940 | VF6728 | TYZ25M | | 71-51-00 | 01 | 095 | 3 |
| 5975010505225 | 9560175240 | VF9756 | PLT2S-M76 | | 71-51-00 | 01 | 095A | 3 |
| 5975010505225 | 9560133940 | VFAAM1 | TYZ25M | | 71-51-00 | 01 | 096 | 1 |
| 5975010505225 | 9560133940 | VF6728 | TYZ25M | | 71-51-00 | 01 | 096 | 1 |
| 5975010505225 | 9560175240 | VF9756 | PLT2S-M76 | | 71-51-00 | 01 | 096A | 1 |
| 5975010505225 | 9560133940 | VFAAM1 | TYZ25M | | 71-51-00 | 01 | 097 | 2 |
| 5975010505225 | 9560133940 | VF6728 | TYZ25M | | 71-51-00 | 01 | 097 | 2 |
| 5975010505225 | 9560175240 | VF9756 | PLT2S-M76 | | 71-51-00 | 01 | 097A | 2 |
| 5975010505225 | 9560133940 | VFAAM1 | TYZ25M | | 71-51-00 | 01 | 098 | 7 |
| 5975010505225 | 9560133940 | VF6728 | TYZ25M | | 71-51-00 | 01 | 098 | 7 |
| 5975010505225 | 9560175240 | VF9756 | PLT2S-M76 | | 71-51-00 | 01 | 098A | 7 |

Numerical index of NATO part numbers

00-00-42

Page 16

Dec. 30/2023

SAFRAN HELICOPTER ENGINES

ARRIEL 2 C2

MAINTENANCE SPARE PARTS CATALOG

| NATO P/N | SAFRAN HELICOPTER ENGINES P/N | MANUFACTURER | | AIRLINE STOCK No. | CHAP. SECTION SUBJECT | FIG. | ITEM | QTY |
|---------------|-------------------------------------|--------------|----------------|----------------------|-----------------------------|------|------|-----|
| | | CODE | P/N | | | | | |
| 5975145674596 | 0292697520 | | | | 72-43-00 | 01 | 010 | 1 |
| 5998145780416 | 0292697530 | | | | 77-22-01 | 01 | 050B | 1 |
| 5998145780545 | 0177987120 | | | | 77-09-02 | 01 | 050A | 1 |
| 5998145889675 | 0177987160 | | | | 77-09-02 | 01 | 050C | 1 |
| 5998145889679 | 0292697930 | | | | 77-22-01 | 01 | 050E | 1 |
| 6150143494398 | 0294747000 | | | | 72-61-00 | 01 | 800 | 1 |
| 6150144002471 | 0084117100 | | | | 71-21-00 | 01 | 100 | 1 |
| 6150144002472 | 0084117120 | | | | 72-61-00 | 01 | 060 | 1 |
| 6150145780962 | 0292767070 | | | | 77-21-00 | 01 | 050 | 1 |
| 6150145780996 | 0084117300 | | | | 71-51-00 | 01 | 150 | 1 |
| 6150145823574 | 0292697640 | | | | 71-51-00 | 01 | 010 | 1 |
| 6350145263347 | 9550177160 | VF9211 | H443_1 | | 26-11-00 | 01 | 200 | 1 |
| 6350145263348 | 9550177130 | VF9211 | H243-1 | | 26-11-00 | 01 | 010 | 1 |
| 6350145263348 | 9550177130 | VF9211 | H243-1 | | 26-11-00 | 01 | 100 | 1 |
| 6620145067146 | 9550171420 | VF2276 | CZ5MC6-3 | | 75-41-00 | 01 | 010A | 1 |
| 6620145758639 | 9520002300 | VF1976 | 2300422 | | 75-31-00 | 02 | 130A | 1 |
| 6620145758651 | 9520011851 | VF1976 | 3162-936-0 | | 75-31-00 | 02 | 130 | 1 |
| 6680145342774 | 9550177390 | VF1976 | 1604-300 | | 72-61-00 | 01 | 880 | 1 |
| 6680145342774 | 9550177390 | VF1976 | 1604-300 | | 77-11-00 | 01 | 010 | 1 |
| 6680145424087 | 9550179190 | VF1976 | 1604300-01 | | 72-61-00 | 01 | 880A | 1 |
| 6680145424087 | 9550179190 | VF1976 | 1604300-01 | | 77-11-00 | 01 | 010A | 1 |
| 6680145488559 | 9550175810 | VF6840 | VIT7100040 | | 72-61-00 | 01 | 880B | 1 |
| 6680145488559 | 9550175810 | VF6840 | VIT7100040 | | 77-11-00 | 01 | 010B | 1 |
| 6680145674654 | 9550175800 | VF6840 | VIT7100030 | | 77-12-00 | 01 | 010C | 3 |
| 6680145674654 | 9550175800 | VF6840 | VIT7100030 | | 77-12-00 | 01 | 015A | 1 |
| 6680145674654 | 9550175800 | VF6840 | VIT7100030 | | 77-12-00 | 01 | 020A | 2 |
| 6680145778934 | 9550177360 | VF1976 | 1604-000 | | 77-12-00 | 01 | 010 | 3 |
| 6680145778934 | 9550177360 | VF1976 | 1604-000 | | 77-12-00 | 01 | 015 | 1 |
| 6680145778934 | 9550177360 | VF1976 | 1604-000 | | 77-12-00 | 01 | 020 | 2 |
| 6680145778935 | 9550179160 | VF1976 | 1604000-01 | | 77-12-00 | 01 | 010A | 3 |
| 6680145778935 | 9550179160 | VF1976 | 1604000-01 | | 77-12-00 | 01 | 010D | AD |
| 6680145823700 | 9550000100 | VS3866 | 388Z-05644 | | 77-12-00 | 01 | 010E | 3 |
| 6695015233452 | 9550166140 | V34345 | APT190-13BAR-A | | 75-41-00 | 01 | 010 | 1 |
| 6695145782785 | 9550172120 | V97424 | 610523-02 | | 77-12-00 | 01 | 010B | 3 |
| 8010145932782 | 9590043500 | VFASH4 | SVP52 | | 77-09-02 | 01 | 160A | AD |
| 9505142649843 | 9997405001 | VF0111 | 23320CA050 | | 79-29-00 | 01 | 102 | AR |
| 9505142649843 | 9997405001 | VF0111 | 23320CA050 | | 79-29-00 | 01 | 154 | AR |

PAGE LEFT BLANK INTENTIONALLY

LIST OF MANUFACTURER CODES

| CODE | MANUFACTURER |
|-------|--|
| 0051T | BLANCHARDET EN ATTENTE / PENDING |
| 02101 | OECO, LLC DBA PACIFIC SCIENTIFIC OECO 4607 SE INTERNATIONAL WAY-97222-4619 MILWAUKIE-OR-UNITED STATES |
| 04171 | MAGNETIC SEAL CORP. 365 MARKET ST-02885-2636 WARREN-RI-UNITED STATES |
| 11583 | CHAMPION SPARK PLUG CO AVIATION PRODUCTS DIV -29601 GREENVILLE-SC-UNITED STATES |
| 34345 | KULITE SEMICONDUCTOR PRODUCTS, INC ONE WILLOW TREE RD-07605-2239 LEONIA-NJ-UNITED STATES |
| 59501 | UNISON INDUSTRIES, LLC 7575 BAYMEADOWS WAY-32256-7525 JACKSONVILLE-FL-UNITED STATES |
| 97424 | AMETEK INC. DBA AMETEK AEROSPACE & DEFENSE DIV AEROSPACE AND DEFENSE 50 FORDHAM RD-01887-2177 WILMINGTON-MA-UNITED STATES |
| 98505 | HYDRA-ELECTRIC COMPANY 3151 KENWOOD ST-91505-1041 BURBANK-CA-UNITED STATES |
| D8175 | ELRINGKLINGER AG MAX-EYTH-STR. 2-72581 DETTINGEN AN DER ERMS--GERMANY |
| F0111 | BUREAU NORMALISATION AERONAUTIQUE ESPACE 199 RUE JEAN JACQUES ROUSSEAU-92130 ISSY LES MOULINEAUX--FRANCE |
| F0183 | JICEY ZAC DE LA PREVAUTE-78550 HOUDAN--FRANCE |
| F0215 | ESPA 2 RUE BALZAC-75008 PARIS 8--FRANCE |
| F0224 | ARCONIC FIXATIONS SIMMONDS SAS 9 RUE DES CRESSONNIERES-72110 SAINT COSME EN VAIRAIS--FRANCE |
| F0229 | LE JOINT FRANCAIS 2 RUE BALZAC-75008 PARIS 8--FRANCE |
| F0286 | TYCO ELECTRONICS FRANCE SAS 1 RUE AMPERE-95300 PONTOISE--FRANCE |
| F0355 | ETABLISSEMENTS CAILLAU 64 BD JEAN JAURES-41200 ROMORANTIN LANTHENAY--FRANCE |
| F0384 | FREUDENBERG SEALING TECHNOLOGIES RUE DE L ETOILE DE LANGRES-52200 LANGRES--FRANCE |
| F0559 | SAFRAN FILTRATION SYSTEMS 6 RUE MARYSE BASTIE-87800 NEXON--FRANCE |
| F0771 | SKF AEROENGINE FRANCE 34 AV DES TROIS PEUPLES-78180 MONTIGNY LE BRETONNEUX--FRANCE |
| F1253 | MERSEN 2 PL DES VOSGES-92400 COURBEVOIE--FRANCE |
| F1699 | BOLLHOFF OTALU SA RTE D APREMONT-73490 LA RAVOIRE--FRANCE |

| CODE | MANUFACTURER |
|-------|--|
| F1976 | SAFRAN AEROSYSTEMS HYDRAULICS RTE DE JALLANS-28200 CHATEAUDUN--FRANCE |
| F2276 | AUXITROL SA 5 ALL CHARLES PATHE-18000 BOURGES--FRANCE |
| F2569 | LE SEGMENT AB RTE DU LUDE-72230 ARNAGE--FRANCE |
| F2805 | CIRCOR FRANCE 28 AV CLARA-94420 LE PLESSIS TREVISE--FRANCE |
| F5496 | AEVA 8 CHE DE L'ETANG-16730 FLEAC--FRANCE |
| F6071 | AKZO NOBEL CAR REFINISHES ZI LES BAS PRES-60160 MONTATAIRE--FRANCE |
| F6275 | EATON SAS 2 RUE LAVOISIER-78310 COIGNIERES--FRANCE |
| F6285 | TECALEMIT AEROSPACE 9 RUE DU DOME-69630 CHAPONOST--FRANCE |
| F6409 | TITFLEX EUROPE 22 AV MAURICE CHEVALIER-77330 OZOIR LA FERRIERE--FRANCE |
| F6728 | THOMAS & BETTS NETHERLANDS RUE OOSTEINDE 3-2991 BARENDRECHT - PAYS BAS--FRANCE |
| F6840 | MEGGITT (FRANCE) RUE DU BOIS RENAUD-16730 FLEAC--FRANCE |
| F7917 | THERMOCOAX RUE LA VALLEE-61430 ATHIS DE L'ORNE--FRANCE |
| F7926 | SERMAT ETUDE REALISATION MACHINE TOURNANTE 249 RUE DE LA GARENNE-92000 NANTERRE--FRANCE |
| F9088 | TRELLEBORG SEALING SOLUTIONS FRANCE 38 RUE JEAN MERMOZ-78600 MAISONS LAFFITTE--FRANCE |
| F9211 | L'HOTELLIER SAS 4 RUE HENRI POINCARE-92160 ANTONY--FRANCE |
| F9756 | PANDUIT EEIG 2 BD DES ILES-92130 ISSY LES MOULINEAUX--FRANCE |
| FA3W9 | SAFRAN AEROSYSTEMS FLUID AV DU MONT SAINT SEBASTIEN-77111 SOIGNOLLES EN BRIE--FRANCE |
| FAAM1 | L.C.E.P (LES COMPOSANTS ELECTRONIQUES DES PYRENEES) RUE DE LA BIELLE-64121 SERRES-CASTET--FRANCE |
| FASH4 | ABCHIMIE 1230 RTE DE LA PORTE-38630 CORBELIN--FRANCE |
| I9005 | AEROSPACE AND DEFENCE INDUSTRIES ASSOCIATION OF EUROPE- STANDARDIZATION (ASD-STAN) RUE MONTOYER 10-B-1000 BRUXELLES--BELGIUM |
| K1209 | CROSS MANUFACTURING CO MIDFORD ROAD COMBE DOWN-BA2 5RR BATH--UNITED KINGDOM |
| S3866 | JAQUET AG THANNERSTRASSE 15-4009 BASEL--SWITZERLAND |

| <i>CODE</i> | <i>MANUFACTURER</i> |
|-------------|---|
| U1068 | TRELLEBORG SEALING SOLUTIONS (UK) LTD PELASUS HOUSE-B90 4GT SOLIHULL--UNITED KINGDOM |
| U1653 | SOCIETY OF BRITISH AEROSPACE COMPANIES LTD (SBAC) SALAMANCA SQUARE, 9 ALBERT EMBANKMENT-SE1 7SP LONDON--UNITED KINGDOM |

PAGE LEFT BLANK INTENTIONALLY

CHAPTER 26 - LIST OF EFFECTIVE PAGES

| <u>Chapter Section Subject</u> | <u>Figure</u> | <u>Title</u> | <u>Pages</u> | <u>Date</u> |
|--|---------------|-------------------------|--------------|--------------|
| 26 | | LIST OF EFFECTIVE PAGES | * 1 - 2 | June 30/2018 |
| 26 | | TABLE OF CONTENTS | 1 - 2 | Nov. 30/2009 |
| 26-00-00 | TITLE | PROTECTION, FIRE | 1 | Nov. 30/2009 |
| 26-00-00 | 01 | PROTECTION,FIRE | 0 | Nov. 30/2009 |
| 26-00-00 | 01 | | 1 | Nov. 30/2009 |
| 26-10-00 | TITLE | DETECTION, FIRE | 1 | Nov. 30/2009 |
| 26-11-00 | 01 | DETECTORS,FIRE | * 0 | June 30/2018 |
| 26-11-00 | 01 | | * 1 | June 30/2018 |

* Page modified following update No. 39

PAGE LEFT BLANK INTENTIONALLY

CHAPTER 26 - TABLE OF CONTENTS

| <u>Title</u> | <u>Chapter Section Subject</u> | <u>Figure</u> |
|-------------------------|--|---------------|
| PROTECTION, FIRE | 26-00-00 | |
| PROTECTION,FIRE | 26-00-00 | 01 |
| DETECTION, FIRE | 26-10-00 | |
| DETECTORS,FIRE | 26-11-00 | 01 |

PAGE LEFT BLANK INTENTIONALLY

DETAILED PART LIST

PROTECTION, FIRE

26-00-00

FIGURE NOT ILLUSTRATED

PROTECTION, FIRE
Figure 01

TURBOMECA ARRIEL 2 C2

MAINTENANCE SPARE PARTS CATALOG

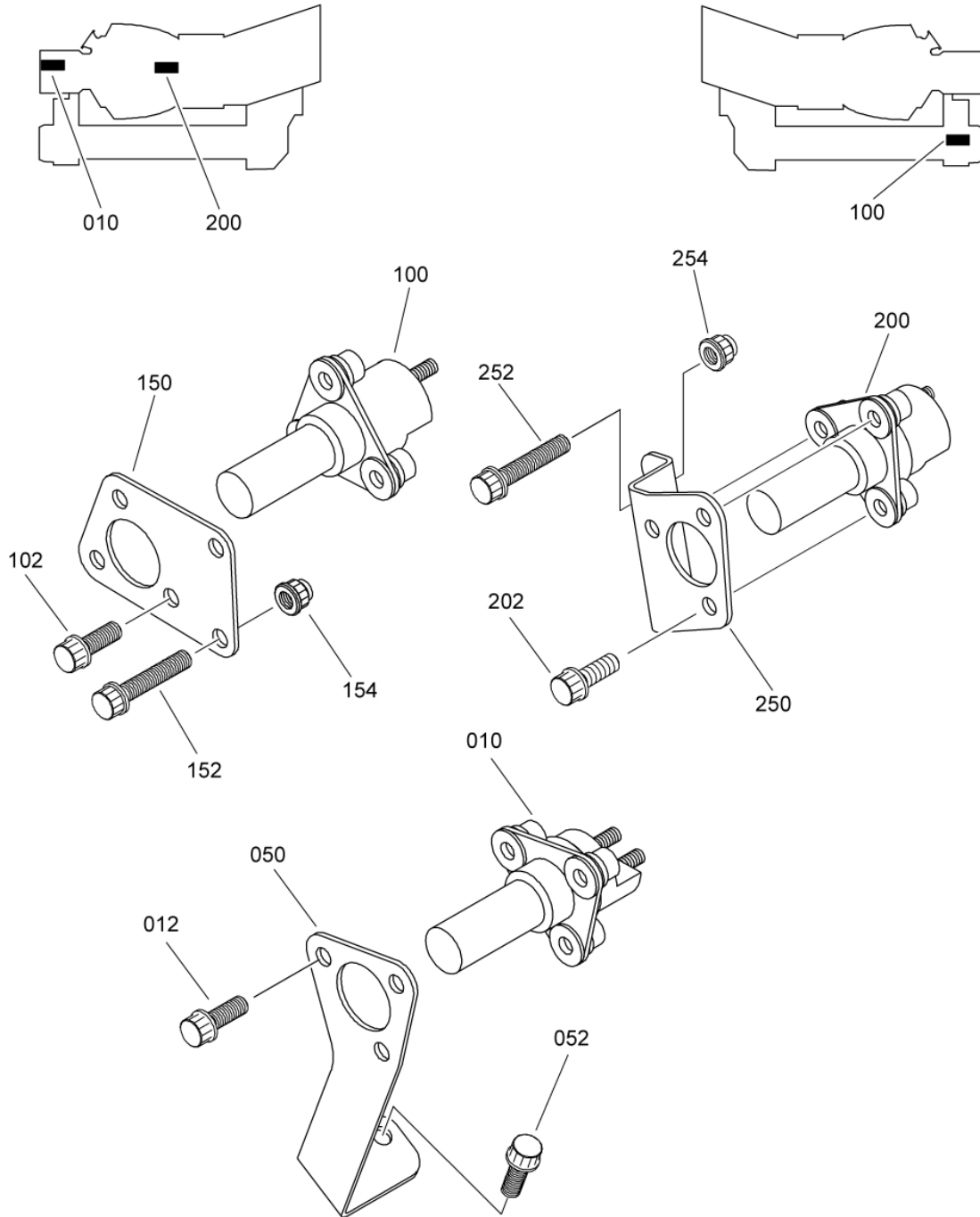
| FIGURE ITEM | PART NUMBER | AIRL. STOCK No. | DESCRIPTION | EFFECT | QTY |
|----------------|-------------|-----------------------|--|--------|-----|
| | | | 1 2 3 4 5 6 7 | | |
| 01 -001 | - | | PROTECTION,FIRE NON PROCURABLE REFER TO CHAP. 71-00-00 FIG.01 ITEM 010 | | RF |
| -010 | - | | . INST.,DETECTORS,FIRE NON PROCURABLE REFER TO CHAP.26-11-00 FOR DETAILS | | 1 |

- ITEM NOT ILLUSTRATED

DETAILED PART LIST

DETECTION, FIRE

26-10-00



INST.,DETECTORS,FIRE
Figure 01

SAFRAN HELICOPTER ENGINES

ARRIEL 2 C2

MAINTENANCE SPARE PARTS CATALOG

| FIGURE ITEM | PART NUMBER | AIRL. STOCK No. | DESCRIPTION | EFFECT | QTY |
|----------------|--------------|-----------------------|--|--------|-----|
| | | | 1 2 3 4 5 6 7 | | |
| 01 | | | | | |
| -001 | - | | INST.,DETECTORS,FIRE NON PROCURABLE REFER TO CHAP. 26-00-00 FIG.01 ITEM 010 | | RF |
| 010 | H243-1 | | . DETECTOR,FIRE - VF9211 (9550177130) NON REPAIRABLE | | 1 |
| 012 | EN3686050014 | | ATTACHING PARTS . SCREW - VI9005 (9836405014) *** | | 3 |
| 050 | 0292767120 | | . SUPPORT,FIRE DETECTOR | | 1 |
| 052 | EN3686050014 | | ATTACHING PARTS . SCREW - VI9005 (9836405014) *** | | 2 |
| 100 | H243-1 | | . DETECTOR,FIRE - VF9211 (9550177130) NON REPAIRABLE | | 1 |
| 102 | EN3686050014 | | ATTACHING PARTS . SCREW - VI9005 (9836405014) *** | | 3 |
| 150 | 0292760160 | | . SUPPORT,FIRE DETECTOR | | 1 |
| 152 | EN3686050024 | | ATTACHING PARTS . SCREW - VI9005 (9836405024) | | 2 |
| 154 | 9866205026 | | . NUT 9866205026 IS THE SAFRAN HELICOPTER ENGINES PART NUMBER FOR: VF0111 - 22526-050 VI9005 - EN2906-050 *** | | 2 |
| 200 | H443_1 | | . DETECTOR,FIRE - VF9211 (9550177160) NON REPAIRABLE | | 1 |
| 202 | EN3686050014 | | ATTACHING PARTS . SCREW - VI9005 (9836405014) *** | | 3 |
| 250 | 0292760390 | | . SUPPORT,FIRE DETECTOR | | 1 |
| 252 | EN3686050020 | | ATTACHING PARTS . SCREW - VI9005 (9836405020) | | 2 |
| 254 | 9866205026 | | . NUT 9866205026 IS THE SAFRAN HELICOPTER ENGINES PART NUMBER FOR: VF0111 - 22526-050 VI9005 - EN2906-050 *** | | 2 |

- ITEM NOT ILLUSTRATED

CHAPTER 71 - LIST OF EFFECTIVE PAGES

| <u>Chapter Section Subject</u> | <u>Figure</u> | <u>Title</u> | <u>Pages</u> | <u>Date</u> |
|--|---------------|-------------------------|--------------|--------------|
| 71 | | LIST OF EFFECTIVE PAGES | * 1 - 2 | June 15/2022 |
| 71 | | TABLE OF CONTENTS | 1 - 2 | Nov. 30/2009 |
| 71-00-00 | TITLE | POWER PLANT | 1 | Nov. 30/2009 |
| 71-00-00 | 01-1/3 | ARRIEL 2C2 | 0 | Dec. 30/2020 |
| 71-00-00 | BLANK | | 0 | Dec. 30/2020 |
| 71-00-00 | 01-2/3 | | 0 | Dec. 30/2020 |
| 71-00-00 | BLANK | | 0 | Dec. 30/2020 |
| 71-00-00 | 01-3/3 | | 0 | Dec. 30/2020 |
| 71-00-00 | 01 | | 1 | Dec. 30/2020 |
| 71-01-00 | 01 | SYSTEM,GENERAL | 0 | Nov. 30/2009 |
| 71-01-00 | 01 | | 1 | Nov. 30/2009 |
| 71-20-00 | TITLE | MOUNTS | 1 | Nov. 30/2009 |
| 71-21-00 | 01 | HOISTING,ATTACHING | 0 | Nov. 30/2015 |
| 71-21-00 | 01 | | 1 | Nov. 30/2015 |
| 71-40-00 | TITLE | ATTACH FITTINGS | 1 | Nov. 30/2009 |
| 71-41-00 | 01 | SUPPORTS | 0 | Dec. 30/2021 |
| 71-41-00 | 01 | | 1 | Dec. 30/2021 |
| 71-50-00 | TITLE | ELECTRICAL HARNESSSES | 1 | Nov. 30/2009 |
| 71-51-00 | 01-1/5 | ELECTRIC HARNESSSES | 0 | Dec. 30/2021 |
| 71-51-00 | BLANK | | 0 | Dec. 30/2021 |
| 71-51-00 | 01-2/5 | | 0 | Dec. 30/2021 |
| 71-51-00 | BLANK | | 0 | Dec. 30/2021 |
| 71-51-00 | 01-3/5 | | 0 | Dec. 30/2021 |
| 71-51-00 | BLANK | | 0 | Dec. 30/2021 |
| 71-51-00 | 01-4/5 | | 0 | Dec. 30/2021 |
| 71-51-00 | BLANK | | 0 | Dec. 30/2021 |

* Page modified following update No. 47

| <u>Chapter Section Subject</u> | <u>Figure</u> | <u>Title</u> | <u>Pages</u> | <u>Date</u> |
|--|---------------|------------------|--------------|--------------|
| 71-51-00 | 01-5/5 | | 0 | Dec. 30/2021 |
| 71-51-00 | 01 | | 1 - 3 | Dec. 30/2021 |
| 71-70-00 | TITLE | ENGINE DRAINS | 1 | Nov. 30/2009 |
| 71-71-00 | 01-1/2 | PIPES,DRAIN | 0 | Dec. 30/2021 |
| 71-71-00 | BLANK | | 0 | Dec. 30/2021 |
| 71-71-00 | 01-2/2 | | 0 | Dec. 30/2021 |
| 71-71-00 | 01 | | 1 | Dec. 30/2021 |
| 71-71-01 | 01 | VALVE ASSY,DRAIN | * 0 | June 15/2022 |
| 71-71-01 | 01 | | * 1 | June 15/2022 |
| 71-90-00 | TITLE | BLANKS | 1 | Nov. 30/2009 |
| 71-91-00 | 01-1/3 | KIT, BLANKS | 0 | June 15/2019 |
| 71-91-00 | BLANK | | 0 | June 15/2019 |
| 71-91-00 | 01-2/3 | | 0 | June 15/2019 |
| 71-91-00 | BLANK | | 0 | June 15/2019 |
| 71-91-00 | 01-3/3 | | 0 | June 15/2019 |
| 71-91-00 | 01 | | 1 | June 15/2019 |

* Page modified following update No. 47

CHAPTER 71 - TABLE OF CONTENTS

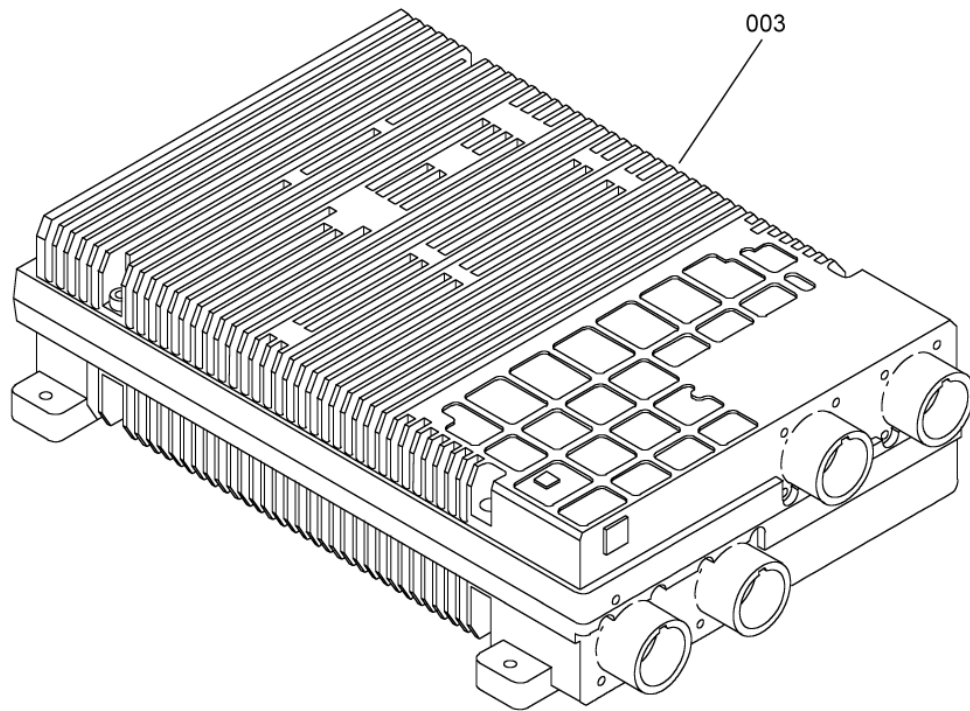
| <u>Title</u> | <u>Chapter Section Subject</u> | <u>Figure</u> |
|----------------------------|--|---------------|
| POWER PLANT | 71-00-00 | |
| ARRIEL 2C2 | 71-00-00 | 01 |
| SYSTEM,GENERAL | 71-01-00 | 01 |
| MOUNTS | 71-20-00 | |
| HOISTING,ATTACHING | 71-21-00 | 01 |
| ATTACH FITTINGS | 71-40-00 | |
| SUPPORTS | 71-41-00 | 01 |
| ELECTRICAL HARNESES | 71-50-00 | |
| ELECTRIC HARNESES | 71-51-00 | 01 |
| ENGINE DRAINS | 71-70-00 | |
| PIPES,DRAIN | 71-71-00 | 01 |
| VALVE ASSY,DRAIN | 71-71-01 | 01 |
| BLANKS | 71-90-00 | |
| KIT, BLANKS | 71-91-00 | 01 |

PAGE LEFT BLANK INTENTIONALLY

DETAILED PART LIST

POWER PLANT

71-00-00



ARRIEL 2C2
Figure 01 (Sheet 1/3)

PAGE LEFT BLANK INTENTIONALLY

TABLE OF DECU COMPATIBILITY

| ARRIEL 2C2 P/N | 70BMH01000 | 70BMH01010 | 70BMH01020 | 70BMH01030 | 70BMH11000 |
|-------------------|------------|------------|------------|------------|------------|
| 70BMH01000 | YES | YES | NO | NO | NO |
| 70BMH01010 | YES | YES | NO | NO | NO |
| 70BMH01020 | NO | NO | YES | YES | NO |
| 70BMH01030 | NO | NO | YES | YES | NO |
| 70BMH11000 | NO | NO | NO | NO | YES |

This table shows the possible combinations for simultaneously associating 2 DECU Part Numbers (whether identical or not) on a helicopter.

YES: the Part Numbers of these DECUs are compatible for installation on the same helicopter.

NO: the Part Numbers of these DECUs are not compatible for installation on the same helicopter.

E.g. The Part Numbers 70BMH01000 and 70BMH01010 can be simultaneously installed on the same helicopter.

ARRIEL 2C2
Figure 01 (Sheet 2/3)

PAGE LEFT BLANK INTENTIONALLY

SAFRAN HELICOPTER ENGINES

ARRIEL 2 C2

MAINTENANCE SPARE PARTS CATALOG

| FIGURE ITEM | PART NUMBER | AIRL. STOCK No. | DESCRIPTION | EFFECT | QTY |
|----------------|-------------|-----------------------|--|--------|-----|
| | | | 1 2 3 4 5 6 7 | | |
| 01 | | | | | |
| -001 | 0292005420 | | ARRIEL 2C2 | | 1 |
| 003 | 70BMH01000 | | . ENGINE ELECTRONIC CONTROL UNIT REPAIRABLE POST TU 093C BECOMES ITEM 003C PRE TU 111C (AE 16494) | | 1 |
| -003A | 70BMH01010 | | . ENGINE ELECTRONIC CONTROL UNIT REPAIRABLE PRE TU 093C (AE 26199) POST TU 111C (AE 16494) | | 1 |
| -003B | 70BMH01020 | | . ENGINE ELECTRONIC CONTROL UNIT REPAIRABLE POST TU 093C (AE 26199) | | 1 |
| -003C | 70BMH01030 | | . ENGINE ELECTRONIC CONTROL UNIT REPAIRABLE POST TU 093C (AE 26199) RETROFIT ITEM 003 | | 1 |
| -003D | 70BMH11000 | | . ENGINE ELECTRONIC CONTROL UNIT REPAIRABLE POST TU209 (AE 115741) | | 1 |
| -005 | 0292025150 | | . TURBO-SHAFT ENGINE,DRESSED | | 1 |
| -010 | - | | . . PROTECTION,FIRE NON PROCURABLE REFER TO CHAP.26-00-00 FOR DETAILS | | 1 |
| -020 | - | | . . SYSTEM,GENERAL NON PROCURABLE REFER TO CHAP.71-01-00 FOR DETAILS | | 1 |
| -030 | - | | . . SYSTEM,FUEL NON PROCURABLE REFER TO CHAP.73-00-00 FOR DETAILS | | 1 |
| -040 | - | | . . SYSTEM,IGNITION NON PROCURABLE REFER TO CHAP.74-00-00 FOR DETAILS | | 1 |
| -050 | - | | . . SYSTEM,AIR NON PROCURABLE REFER TO CHAP.75-00-00 FOR DETAILS | | 1 |
| -060 | - | | . . SYSTEM,ENGINE INDICATING NON PROCURABLE REFER TO CHAP.77-00-00 FOR DETAILS | | 1 |
| -070 | - | | . . SYSTEM,OIL NON PROCURABLE REFER TO CHAP.79-00-00 FOR DETAILS | | 1 |
| -100 | 0292025120 | | . . ENGINE,UNDRESSED REPAIRABLE NON PROCURABLE REFER TO CHAP.72-00-00 FOR DETAILS | | 1 |

- ITEM NOT ILLUSTRATED

FIGURE NOT ILLUSTRATED

SYSTEM, GENERAL
Figure 01

TURBOMECA ARRIEL 2 C2

MAINTENANCE SPARE PARTS CATALOG

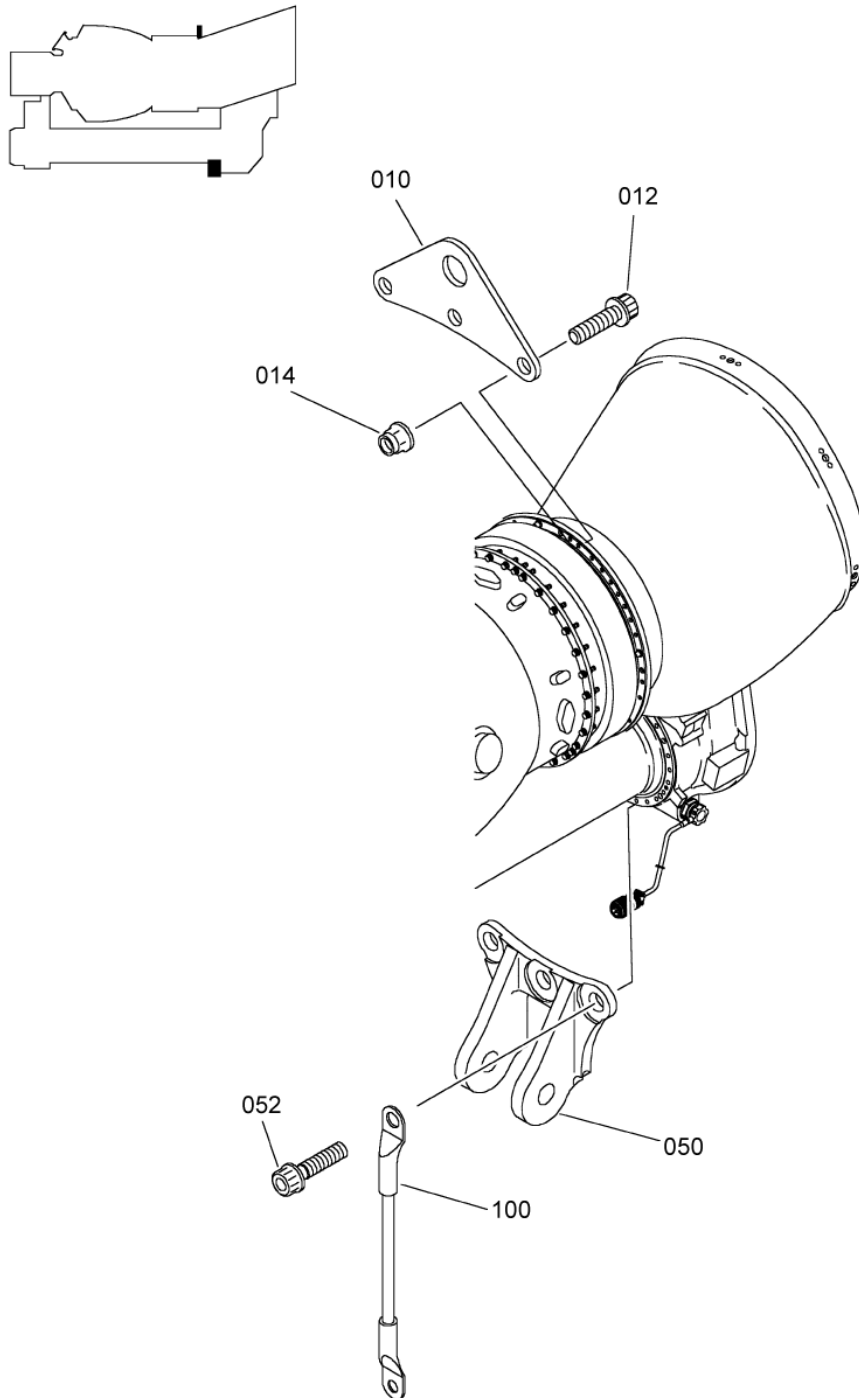
| FIGURE ITEM | PART NUMBER | AIRL. STOCK No. | DESCRIPTION | EFFECT | QTY |
|----------------|-------------|-----------------------|--|--------|-----|
| | | | 1 2 3 4 5 6 7 | | |
| 01 | | | | | |
| -001 | - | | SYSTEM,GENERAL NON PROCURABLE REFER TO CHAP. 71-00-00 FIG.01 ITEM 020 | | RF |
| -010 | - | | . INST.,HOISTING,ATTACHING NON PROCURABLE REFER TO CHAP.71-21-00 FOR DETAILS | | 1 |
| -020 | - | | . INST.,SUPPORTS NON PROCURABLE REFER TO CHAP.71-41-00 FOR DETAILS | | 1 |
| -030 | - | | . INST.,ELECTRIC HARNESES NON PROCURABLE REFER TO CHAP.71-51-00 FOR DETAILS | | 1 |
| -040 | - | | . INST.,PIPES,DRAIN NON PROCURABLE REFER TO CHAP.71-71-00 FOR DETAILS | | 1 |
| -050 | 0292987040 | | . KIT, BLANKS NON PROCURABLE REFER TO CHAP.71-91-00 FOR DETAILS | | 1 |

- ITEM NOT ILLUSTRATED

DETAILED PART LIST

MOUNTS

71-20-00



INST.,HOISTING,ATTACHING
Figure 01

TURBOMECA ARRIEL 2 C2

MAINTENANCE SPARE PARTS CATALOG

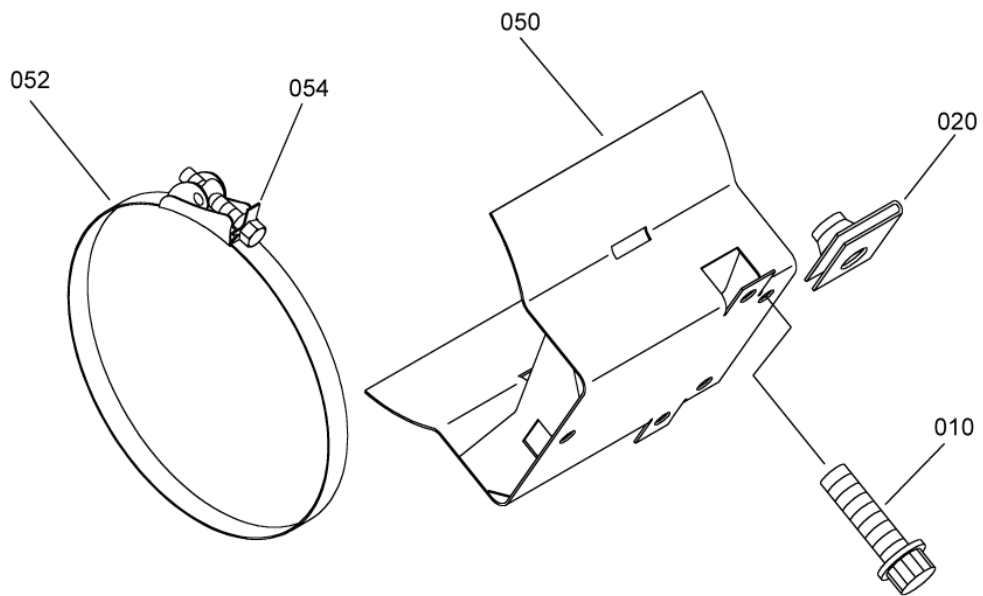
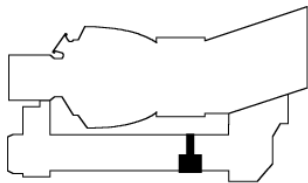
| FIGURE ITEM | PART NUMBER | AIRL. STOCK No. | DESCRIPTION | EFFECT | QTY |
|----------------|--------------|-----------------------|---|--------|-----|
| | | | 1 2 3 4 5 6 7 | | |
| 01 -001 | - | | INST.,HOISTING,ATTACHING NON PROCURABLE REFER TO CHAP. 71-01-00 FIG.01 ITEM 010 | | RF |
| 010 | 0292670180 | | . RING,HOISTING | | 1 |
| 012 | EN3686050020 | | ATTACHING PARTS . SCREW - VI9005 (9836405020) | | 3 |
| 014 | EN3377-050 | | . NUT - VI9005 (9867500500) *** | | 3 |
| 050 | 0301010860 | | . SUPPORT,FITTING | | 1 |
| 052 | EN3686050020 | | ATTACHING PARTS . SCREW - VI9005 (9836405020) *** | | 3 |
| 100 | 0084117100 | | . BONDING BRAID | | 1 |

- ITEM NOT ILLUSTRATED

DETAILED PART LIST

ATTACH FITTINGS

71-40-00



INST.,SUPPORTS
Figure 01

SAFRAN HELICOPTER ENGINES

ARRIEL 2 C2

MAINTENANCE SPARE PARTS CATALOG

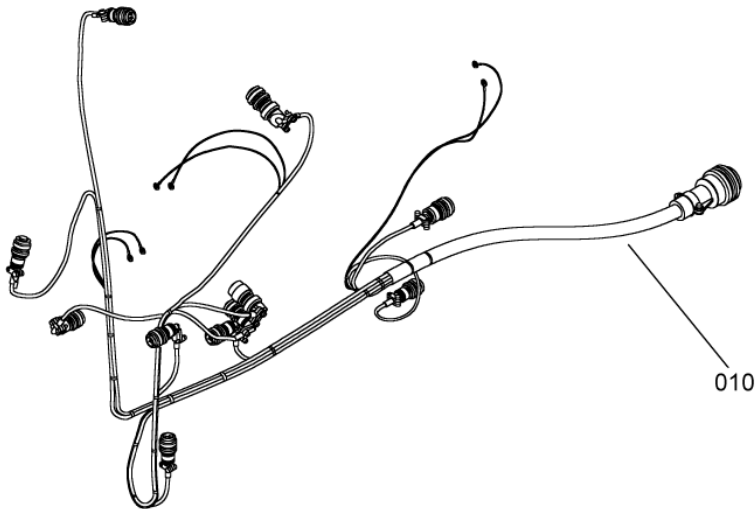
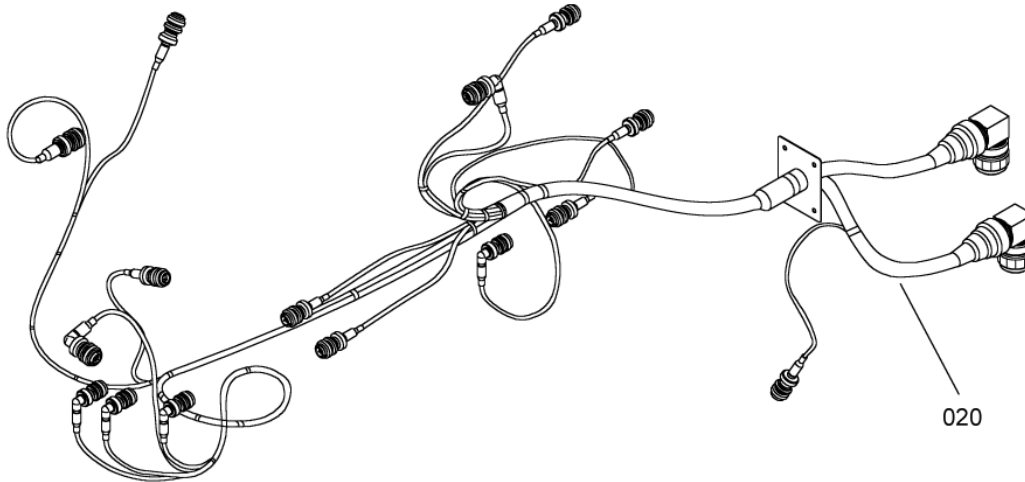
| FIGURE ITEM | PART NUMBER | AIRL. STOCK No. | DESCRIPTION | EFFECT | QTY |
|----------------|--------------|-----------------------|--|--------|-----|
| | | | 1 2 3 4 5 6 7 | | |
| 01 -001 | - | | INST.SUPPORTS NON PROCURABLE REFER TO CHAP. 71-01-00 FIG.01 ITEM 020 | | RF |
| 010 | EN3686050012 | | . SCREW - VI9005 (9836405012) | | 3 |
| 020 | EN3240-050 | | . NUT - VI9005 (9867700050) | | 3 |
| 050 | 0292767140 | | . SUPPORT | | 1 |
| | | | ATTACHING PARTS | | |
| 052 | 8TX200BS | | . CLAMP,COLLAR - VF0215 (9560130220) | | 1 |
| 054 | 23350CA050 | | . LOCK - VF0111 (9998050021) *** | | 1 |

- ITEM NOT ILLUSTRATED

DETAILED PART LIST

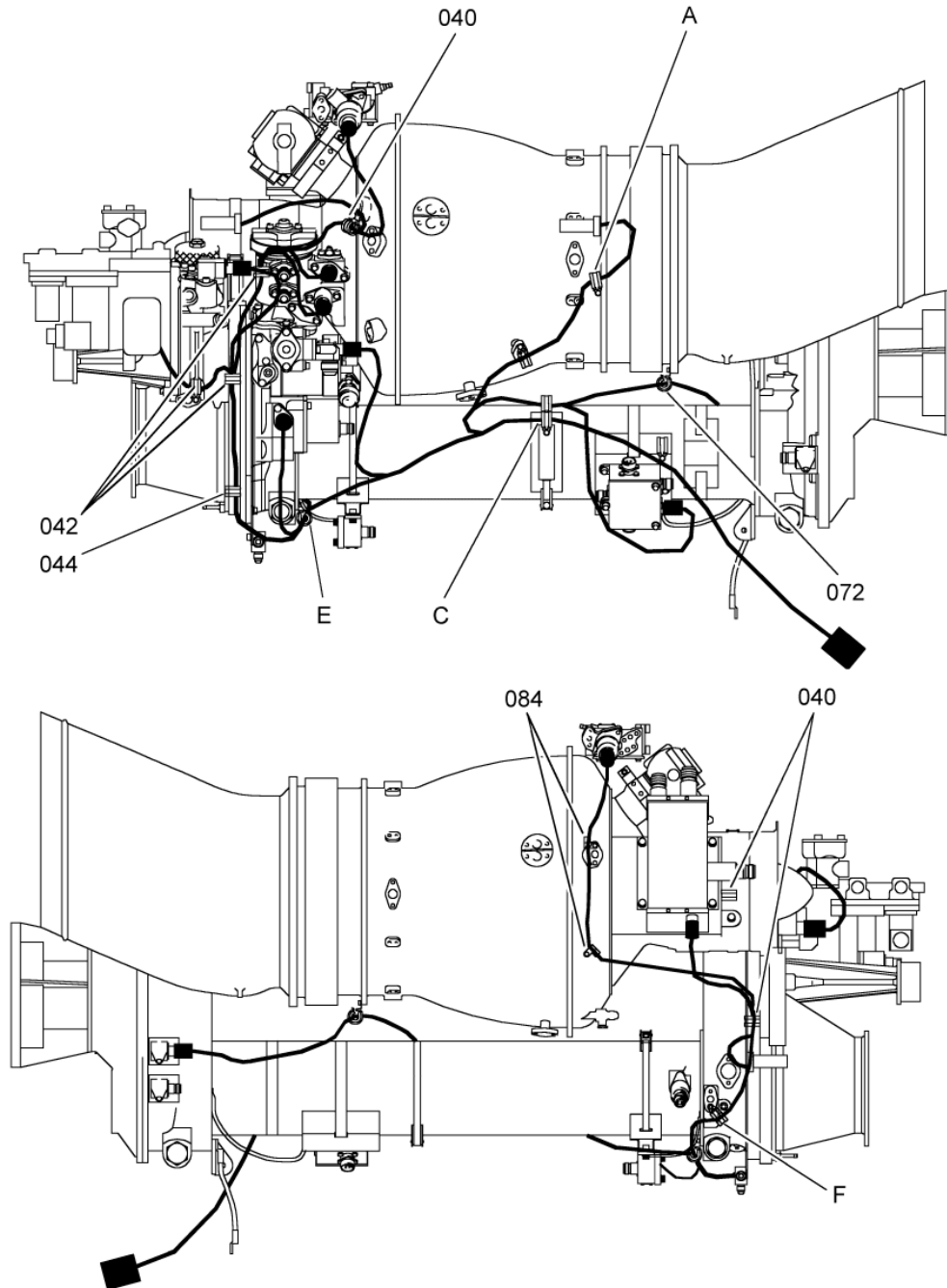
ELECTRICAL HARNESSSES

71-50-00



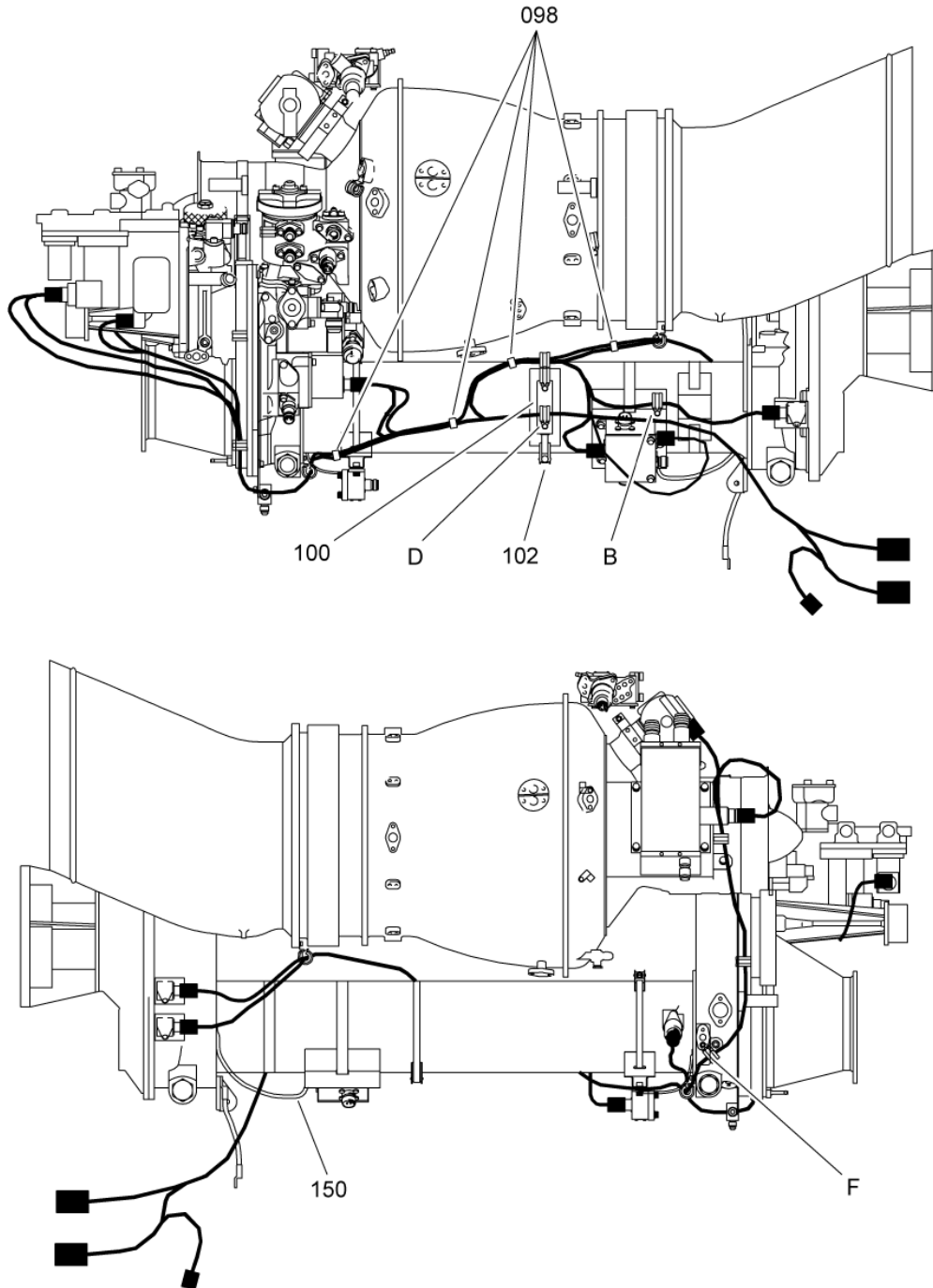
INST.,ELECTRIC HARNESSSES
Figure 01 (Sheet 1/5)

PAGE LEFT BLANK INTENTIONALLY



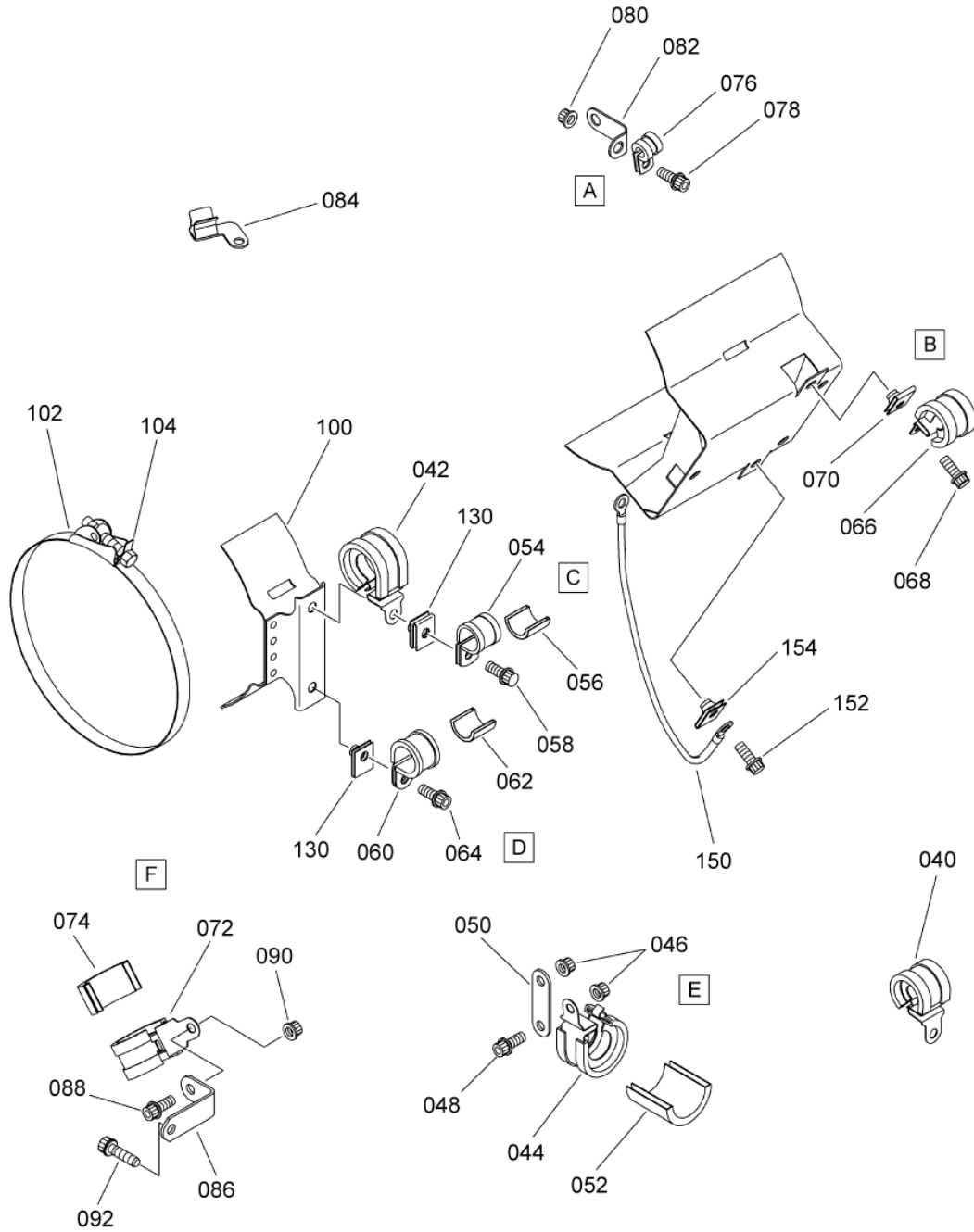
INST.,ELECTRIC HARNESSES
Figure 01 (Sheet 2/5)

PAGE LEFT BLANK INTENTIONALLY



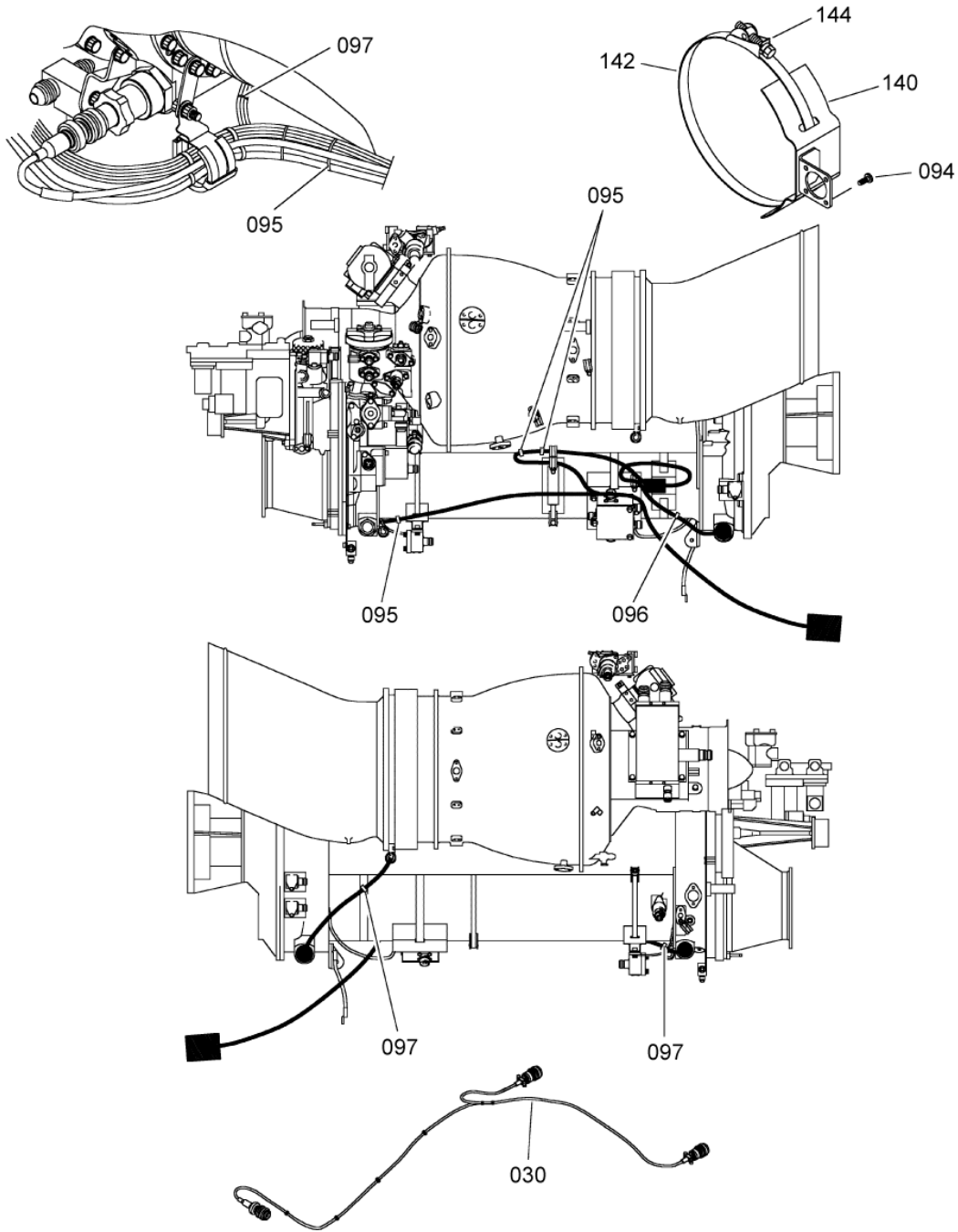
INST.,ELECTRIC HARNESSES
Figure 01 (Sheet 3/5)

PAGE LEFT BLANK INTENTIONALLY



INST.,ELECTRIC HARNESSES
Figure 01 (Sheet 4/5)

PAGE LEFT BLANK INTENTIONALLY



INST.,ELECTRIC HARNESSES
Figure 01 (Sheet 5/5)

SAFRAN HELICOPTER ENGINES

ARRIEL 2 C2

MAINTENANCE SPARE PARTS CATALOG

| FIGURE ITEM | PART NUMBER | AIRL. STOCK No. | DESCRIPTION | EFFECT | QTY |
|----------------|----------------|-----------------------|--|--------|-----|
| | | | 1 2 3 4 5 6 7 | | |
| 01 | | | | | |
| -001 | - | | INST.,ELECTRIC HARNESSSES NON PROCURABLE REFER TO CHAP. 71-01-00 FIG.01 ITEM 030 | | RF |
| 010 | 0292697640 | | . HARNESS,CONTROL AND MONITORING REPAIRABLE | | 1 |
| 020 | 0292697440 | | . HARNESS,REGULATION REPAIRABLE | | 1 |
| 030 | 0292697590 | | . HARNESS,MAGNETIC PLUG REPAIRABLE | | 1 |
| | | | ATTACHING PARTS | | |
| 040 | 9560166210 | | . CLAMP,LOOP - VF0215 (9560166210) | | 3 |
| 042 | 9560166230 | | . CLAMP,LOOP - VF0215 (9560166230) | | 4 |
| 044 | 9560166240 | | . CLAMP,LOOP - VF0215 (9560166240) | | 2 |
| 046 | 9866205026 | | . NUT 9866205026 IS THE SAFRAN HE PART NUMBER FOR: VF0111 - 22526-050 VI9005 - EN2906-050 | | 2 |
| 048 | EN3686050012 | | . SCREW - VI9005 (9836405012) | | 1 |
| 050 | 0235341360 | | . PLATE | | 1 |
| 052 | RNF3000-24/8-9 | | . SHEATH,WHITE - VF0286 (9550163892) | | AR |
| 054 | 21F15 | | . CLAMP,LOOP - VF0215 (9560151220) | | 1 |
| 056 | RNF3000-24/8-9 | | . SHEATH,WHITE - VF0286 (9550163892) | | AR |
| 058 | EN3686050012 | | . SCREW - VI9005 (9836405012) | | 1 |
| 060 | 21F19 | | . CLAMP,LOOP - VF0215 (9560151240) PRE ACR (AE 90459) | | 1 |
| -060A | 21F21 | | . CLAMP,LOOP - VF0215 (9560151250) POST ACR (AE 90459) | | 1 |
| 062 | RNF3000-24/8-4 | | . SHEATH,YELLOW - VF0286 (9550163872) | | AR |
| 064 | EN3686050012 | | . SCREW - VI9005 (9836405012) | | 1 |
| 066 | 9560166210 | | . CLAMP,LOOP - VF0215 (9560166210) | | 1 |
| 068 | EN3686050012 | | . SCREW - VI9005 (9836405012) | | 1 |
| 070 | EN3240-050 | | . NUT - VI9005 (9867700050) | | 1 |
| 072 | 9560166220 | | . CLAMP,LOOP - VF0215 (9560166220) | | 2 |
| 074 | RNF3000-24/8-6 | | . SHEATH,BLUE - VF0286 (9550163882) | | AR |
| 076 | 21F6 | | . CLAMP - VF0215 (9562811300) PRE ACR (AE 65991) | | 1 |
| -076A | 580 101 191 | | . CLAMP - VF0355 (9560175960) PRE ACR (AE 69619) POST ACR (AE 65991) | | 1 |
| -076B | 9560117610 | | . CLAMP 9560117610 IS THE SAFRAN HE PART NUMBER FOR: VF0215 - 9560117610 VF0355 - 58 0 171 002 POST ACR (AE 69619) | | 1 |
| 078 | EN3686050012 | | . SCREW - VI9005 (9836405012) | | 1 |
| 080 | 9866205026 | | . NUT 9866205026 IS THE SAFRAN HE PART NUMBER FOR: VF0111 - 22526-050 VI9005 - EN2906-050 | | 1 |

- ITEM NOT ILLUSTRATED

SAFRAN HELICOPTER ENGINES

ARRIEL 2 C2

MAINTENANCE SPARE PARTS CATALOG

| FIGURE ITEM | PART NUMBER | AIRL. STOCK No. | DESCRIPTION | EFFECT | QTY |
|----------------|----------------|-----------------------|--|--------|-----|
| | | | 1 2 3 4 5 6 7 | | |
| 01 | | | | | |
| 082 | 0301010540 | | . BRACKET,ANGLE | | 1 |
| 084 | 580-181-020 | | . CLAMP - VF0355 (9560158950) | | 2 |
| 086 | 0301000850 | | . BRACKET | | 1 |
| 088 | EN3686050012 | | . SCREW - VI9005 (9836405012) | | 1 |
| 090 | 9866205026 | | . NUT 9866205026 IS THE SAFRAN HE PART NUMBER FOR: VF0111 - 22526-050 VI9005 - EN2906-050 | | 1 |
| 092 | EN3686050012 | | . SCREW - VI9005 (9836405012) | | 1 |
| 094 | 22294CE030008E | | . SCREW - VF0111 (9847300800) | | 4 |
| 095 | 9560133940 | | . CLAMP 9560133940 IS THE SAFRAN HE PART NUMBER FOR: VFAAM1 - TYZ25M VF6728 - TYZ25M | | 3 |
| -095A | PLT2S-M76 | | . CLAMP - VF9756 (9560175240) POST ACR (AE 51527) | | 3 |
| 096 | 9560133940 | | . CLAMP 9560133940 IS THE SAFRAN HE PART NUMBER FOR: VFAAM1 - TYZ25M VF6728 - TYZ25M | | 1 |
| -096A | PLT2S-M76 | | . CLAMP - VF9756 (9560175240) POST ACR (AE 51527) | | 1 |
| 097 | 9560133940 | | . CLAMP 9560133940 IS THE SAFRAN HE PART NUMBER FOR: VFAAM1 - TYZ25M VF6728 - TYZ25M | | 2 |
| -097A | PLT2S-M76 | | . CLAMP - VF9756 (9560175240) POST ACR (AE 51527) | | 2 |
| 098 | 9560133940 | | . CLAMP 9560133940 IS THE SAFRAN HE PART NUMBER FOR: VFAAM1 - TYZ25M VF6728 - TYZ25M POST ACR (AE 64639) | | 7 |
| -098A | PLT2S-M76 | | . CLAMP - VF9756 (9560175240) POST ACR (AE 64639) *** | | 7 |
| 100 | 0292767020 | | . SUPPORT | | 1 |
| | | | ATTACHING PARTS | | |
| 102 | 8TX200BS | | . CLAMP,COLLAR - VF0215 (9560130220) | | 1 |
| 104 | 23350CA050 | | . LOCK - VF0111 (9998050021) *** | | 1 |
| 130 | EN3240-050 | | . . NUT - VI9005 (9867700050) | | 2 |
| 140 | 0292767170 | | . SUPPORT | | 1 |
| | | | ATTACHING PARTS | | |
| 142 | 8TX200BS | | . CLAMP,COLLAR - VF0215 (9560130220) | | 1 |
| 144 | 23350CA050 | | . LOCK - VF0111 (9998050021) *** | | 1 |
| 150 | 0084117300 | | . BONDING BRAID | | 1 |

- ITEM NOT ILLUSTRATED

SAFRAN HELICOPTER ENGINES

ARRIEL 2 C2

MAINTENANCE SPARE PARTS CATALOG

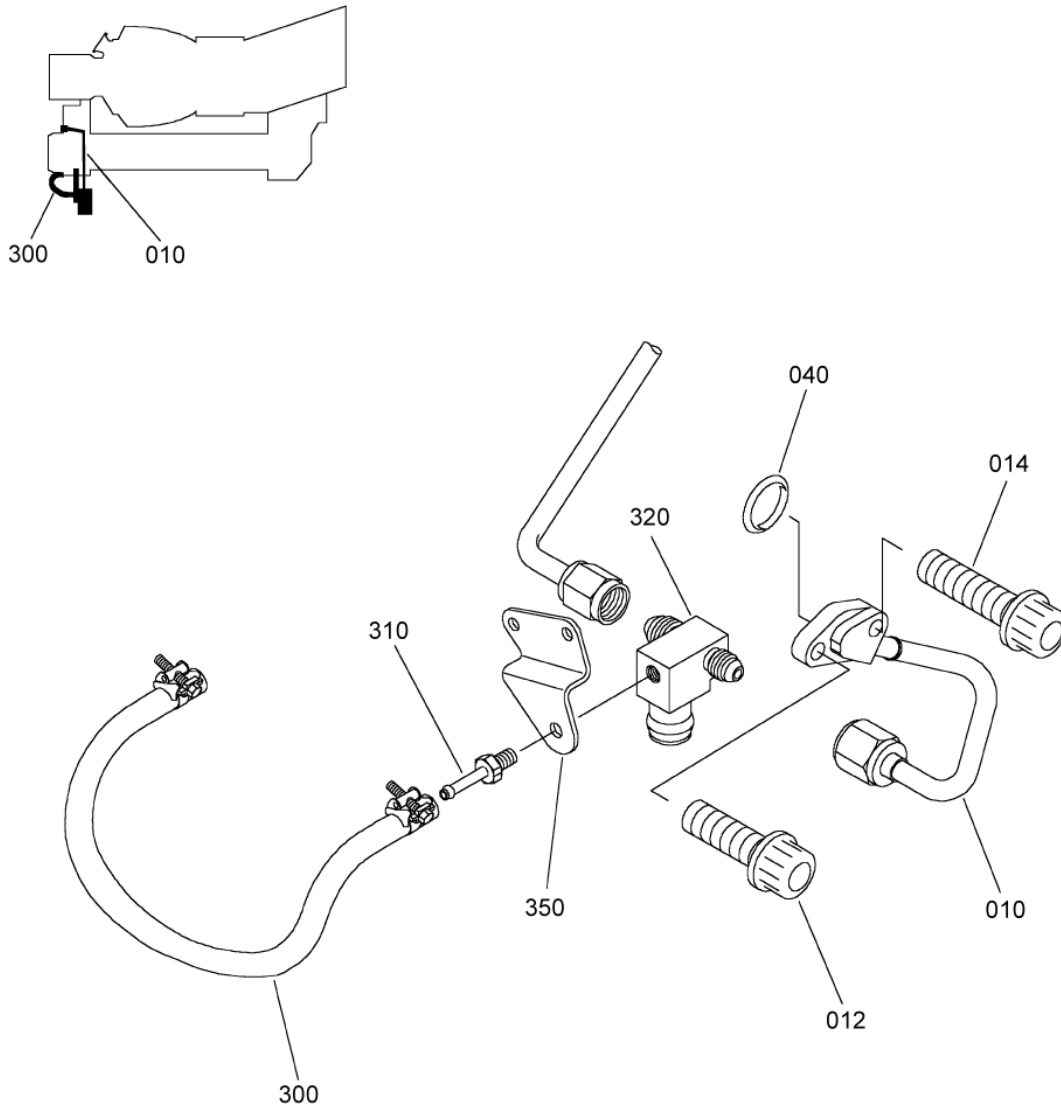
| FIGURE ITEM | PART NUMBER | AIRL. STOCK No. | DESCRIPTION | EFFECT | QTY |
|----------------|--------------|-----------------------|--|--------|-----|
| | | | 1 2 3 4 5 6 7 | | |
| 01 | | | | | |
| 152 | EN3686050012 | | ATTACHING PARTS . SCREW - VI9005 (9836405012) | | 1 |
| 154 | EN3240-050 | | . NUT - VI9005 (9867700050) *** | | 1 |

- ITEM NOT ILLUSTRATED

DETAILED PART LIST

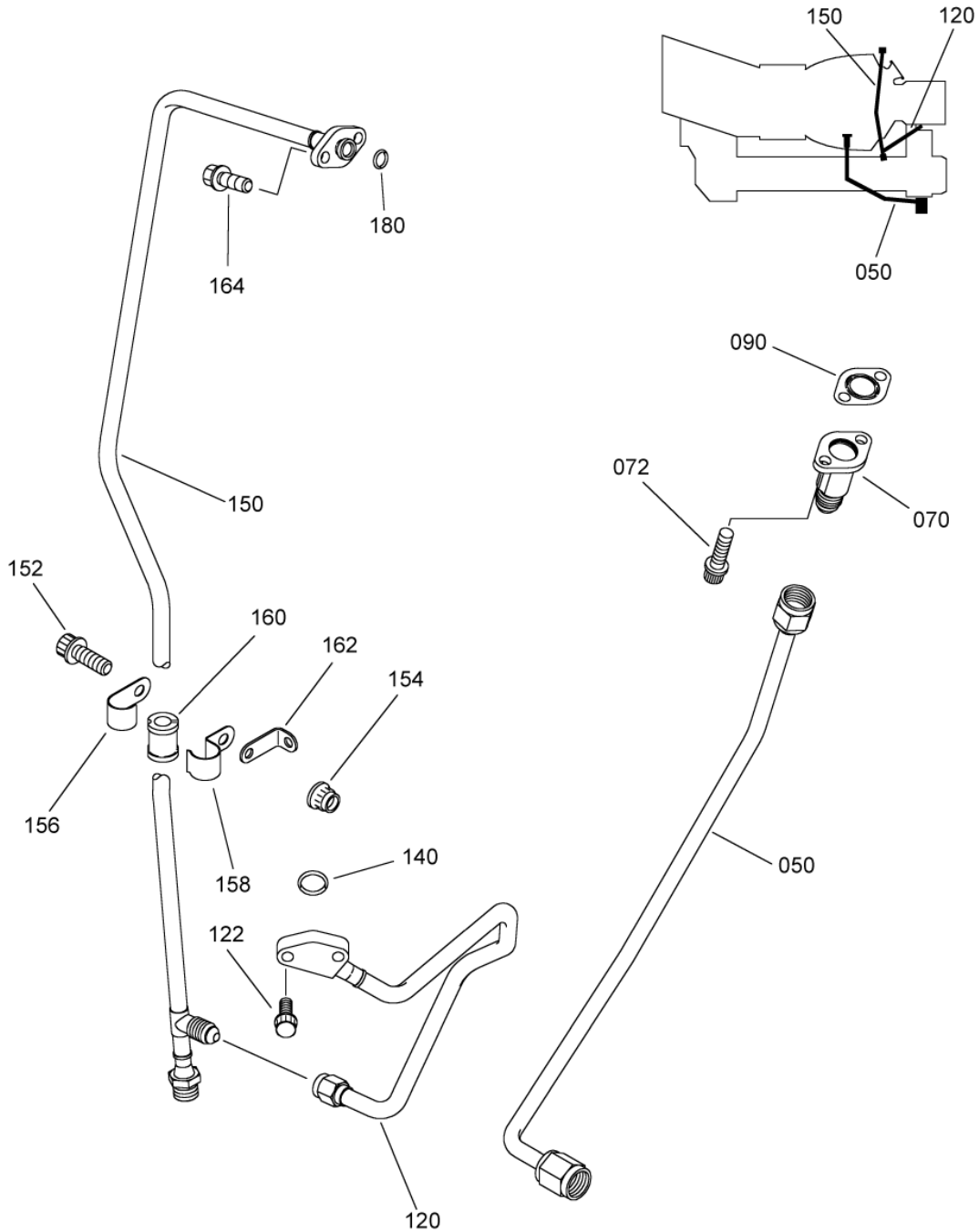
ENGINE DRAINS

71-70-00



INST.,PIPES,DRAIN
Figure 01 (Sheet 1/2)

PAGE LEFT BLANK INTENTIONALLY



INST.,PIPES,DRAIN
Figure 01 (Sheet 2/2)

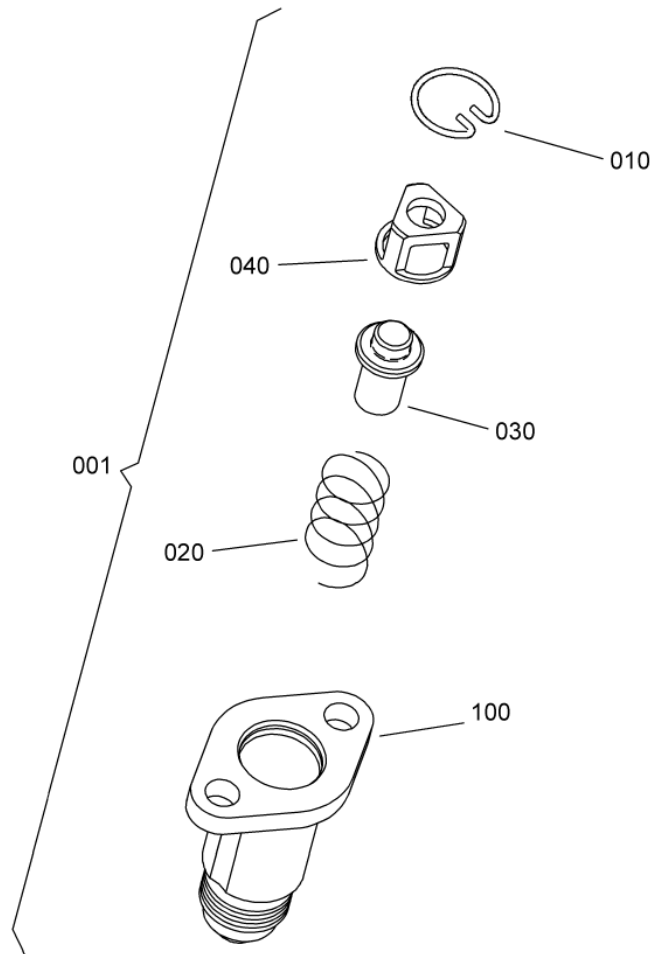
SAFRAN HELICOPTER ENGINES

ARRIEL 2 C2

MAINTENANCE SPARE PARTS CATALOG

| FIGURE ITEM | PART NUMBER | AIRL. STOCK No. | DESCRIPTION | EFFECT | QTY |
|----------------|--------------|-----------------------|--|--------|-----|
| | | | 1 2 3 4 5 6 7 | | |
| 01 | | | | | |
| -001 | - | | INST.,PIPES,DRAIN NON PROCURABLE REFER TO CHAP. 71-01-00 FIG.01 ITEM 040 | | RF |
| 010 | 0292677110 | | . PIPE,DRAIN,FUEL PUMP | | 1 |
| 012 | EN3686050014 | | ATTACHING PARTS . SCREW - VI9005 (9836405014) | | 1 |
| 014 | EN3686050018 | | . SCREW - VI9005 (9836405018) *** | | 1 |
| 040 | 46012A00560 | | . PACKING,PREFORMED - VF0111 (9794410056) | | 1 |
| 050 | 0292677160 | | . PIPE,DRAIN,VALVE | | 1 |
| 070 | 0292687250 | | . VALVE ASSY,DRAIN NON REPAIRABLE REFER TO CHAP.71-71-01 FOR DETAILS | | 1 |
| 072 | EN3686050012 | | ATTACHING PARTS . SCREW - VI9005 (9836405012) *** | | 2 |
| 090 | 9945000120 | | . GASKET,CORRUJOINT | | 1 |
| 120 | 0292677210 | | . PIPE,DRAIN,VALVE | | 1 |
| 122 | EN3686050018 | | ATTACHING PARTS . SCREW - VI9005 (9836405018) *** | | 2 |
| 140 | 46012A00850 | | . PACKING,PREFORMED - VF0111 (9794410085) | | 1 |
| 150 | 0292677190 | | . PIPE,FUEL RETURN,TANK | | 1 |
| 152 | EN3686050014 | | ATTACHING PARTS . SCREW - VI9005 (9836405014) | | 1 |
| 154 | 9866205026 | | . NUT 9866205026 IS THE SAFRAN HE PART NUMBER FOR: VF0111 - 22526-050 VI9005 - EN2906-050 | | 1 |
| 156 | AS12812 | | . HALF CLAMP,INNER - VU1653 (0400410020) | | 1 |
| 158 | AS12842 | | . HALF CLAMP,OUTER - VU1653 (0400420020) | | 1 |
| 160 | AS12874 | | . SLEEVE - VU1653 (0400430080) | | 1 |
| 162 | 0301010540 | | . BRACKET,ANGLE | | 1 |
| 164 | EN3686050014 | | . SCREW - VI9005 (9836405014) *** | | 2 |
| 180 | 46012A00750 | | . PACKING,PREFORMED - VF0111 (9794410075) | | 1 |
| 300 | 0301027410 | | . PIPE,DRAIN,GENERAL | | 1 |
| 310 | 0301020260 | | . UNION,DRAIN | | 1 |
| 320 | 0292670410 | | . COLLECTOR,DRAIN PRE TU 180 (AE 94022) | | 1 |
| -320A | 0292670050 | | . COLLECTOR,DRAIN POST TU 180 (AE 94022) | | 1 |
| 350 | 0292670400 | | . SUPPORT,COLLECTOR | | 1 |

- ITEM NOT ILLUSTRATED



VALVE ASSY,DRAIN
Figure 01

SAFRAN HELICOPTER ENGINES

ARRIEL 2 C2

MAINTENANCE SPARE PARTS CATALOG

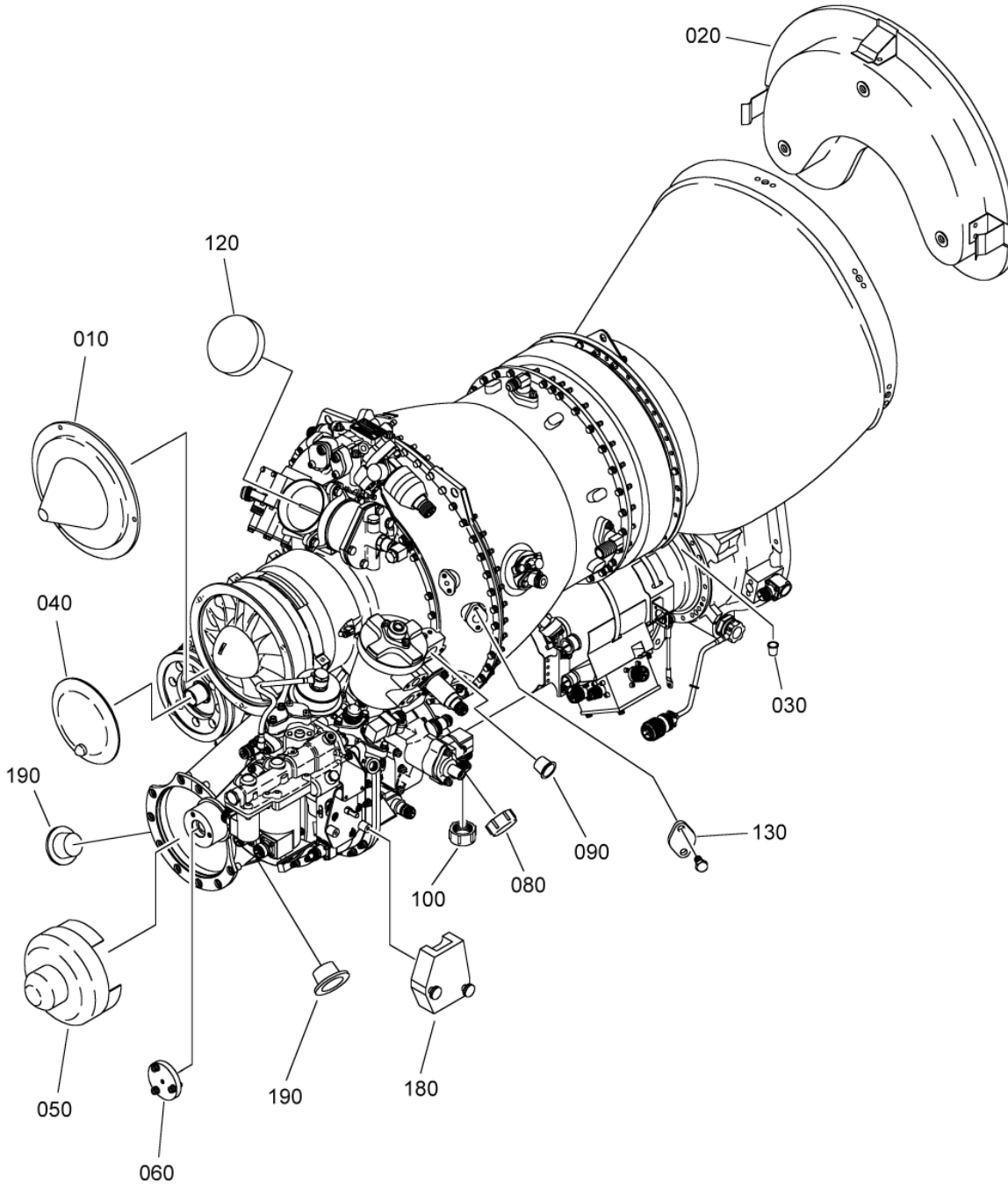
| FIGURE ITEM | PART NUMBER | AIRL. STOCK No. | DESCRIPTION | EFFECT | QTY |
|----------------|-------------|-----------------------|---|--------|-----|
| | | | 1 2 3 4 5 6 7 | | |
| 01 | | | | | |
| -001 | 0292687250 | | VALVE ASSY,DRAIN REFER TO CHAP. 71-71-00 FIG.01 ITEM 070 | a | RF |
| 010 | 0000130850 | | . RING,RETAINING | | 1 |
| 020 | 0292680560 | | . SPRING | | 1 |
| 030 | 0292680530 | | . NEEDLE,VALVE | | 1 |
| 040 | 0292680520 | | . SLEEVE PRE ACR (AE 46738) | | 1 |
| -040A | 0292680650 | | . SLEEVE POST ACR (AE 46738) | | 1 |
| 100 | 0292680370 | | . BODY,VALVE NON REPAIRABLE NON PROCURABLE | | 1 |

- ITEM NOT ILLUSTRATED

DETAILED PART LIST

BLANKS

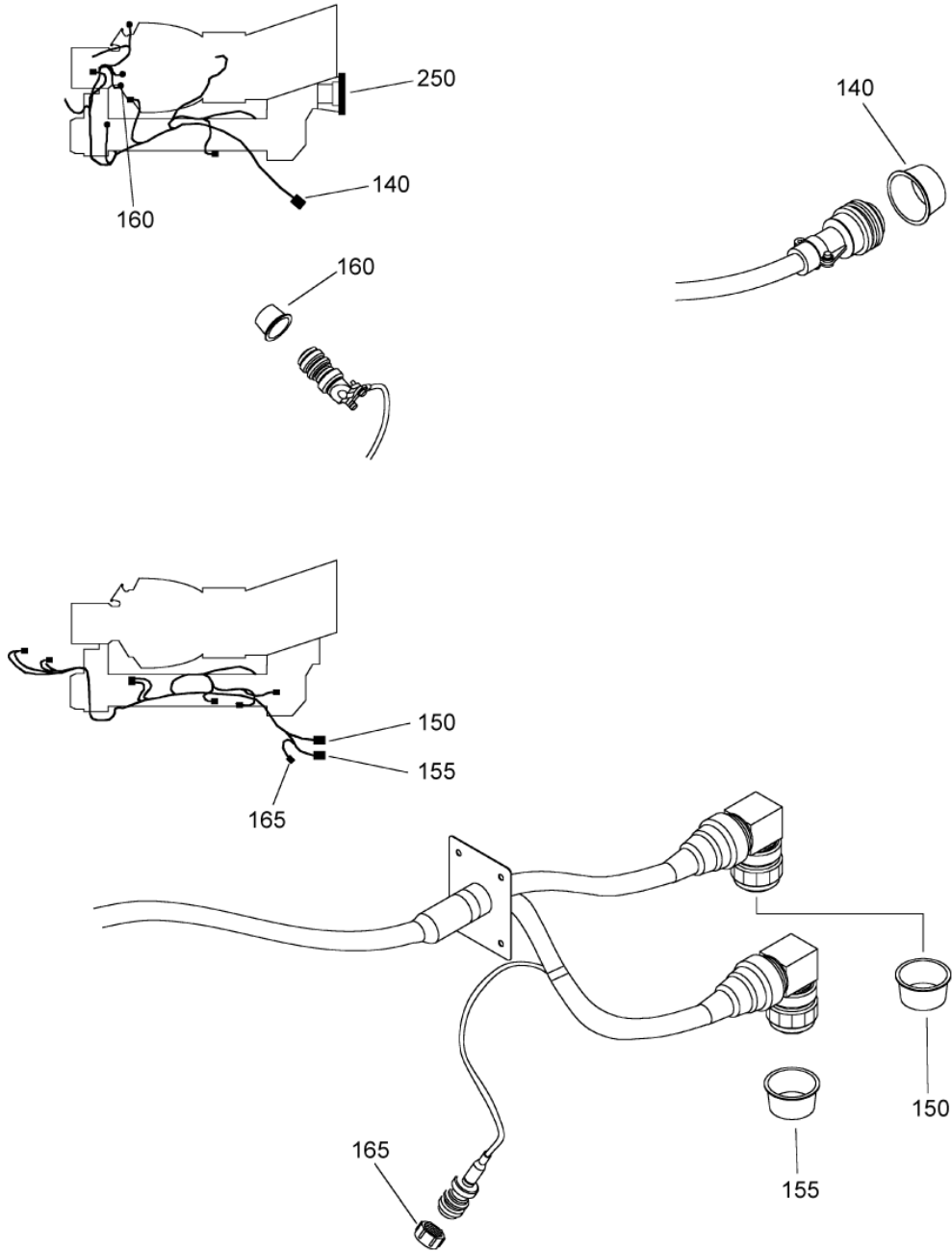
71-90-00



KIT, BLANKS
Figure 01 (Sheet 1/3)

PAGE LEFT BLANK INTENTIONALLY

PAGE LEFT BLANK INTENTIONALLY



KIT, BLANKS
Figure 01 (Sheet 3/3)

SAFRAN HELICOPTER ENGINES

ARRIEL 2 C2

MAINTENANCE SPARE PARTS CATALOG

| FIGURE ITEM | PART NUMBER | AIRL. STOCK No. | DESCRIPTION | EFFECT | QTY |
|----------------|-------------|-----------------------|--|--------|-----|
| | | | 1 2 3 4 5 6 7 | | |
| 01 | | | | | |
| -001 | 0292987040 | | KIT, BLANKS NON PROCURABLE REFER TO CHAP. 71-01-00 FIG.01 ITEM 050 | | RF |
| 010 | | | DELETED | | |
| 020 | | | DELETED | | |
| 030 | | | DELETED | | |
| 040 | | | DELETED | | |
| 050 | | | DELETED | | |
| 060 | TM1034G001 | | . BLANK | | 1 |
| 070 | | | DELETED | | |
| 080 | | | DELETED | | |
| 090 | | | DELETED | | |
| 100 | 9789221500 | | . BLANK | | 1 |
| 110 | | | DELETED | | |
| 120 | | | DELETED | | |
| 130 | | | DELETED | | |
| 140 | | | DELETED | | |
| 150 | | | DELETED | | |
| 155 | | | DELETED | | |
| 160 | | | DELETED | | |
| 165 | 9789221500 | | . BLANK | | 1 |
| 170 | | | DELETED | | |
| 180 | TM0206G003 | | . PROTECTOR | | 1 |
| 190 | | | DELETED | | |
| 250 | | | DELETED | | |

- ITEM NOT ILLUSTRATED

CHAPTER 72 - LIST OF EFFECTIVE PAGES

| <u>Chapter Section Subject</u> | <u>Figure</u> | <u>Title</u> | <u>Pages</u> | <u>Date</u> |
|--|---------------|---------------------------------|--------------|--------------|
| 72 | | LIST OF EFFECTIVE PAGES | * 1 - 4 | Dec. 30/2023 |
| 72 | | TABLE OF CONTENTS | 1 - 2 | Apr. 30/2014 |
| 72-00-00 | TITLE | ENGINE | 1 | Nov. 30/2009 |
| 72-00-00 | 01-1/3 | ENGINE,UNDRESSED | 0 | June 15/2022 |
| 72-00-00 | BLANK | | 0 | June 15/2022 |
| 72-00-00 | 01-2/3 | | 0 | June 15/2022 |
| 72-00-00 | BLANK | | 0 | June 15/2022 |
| 72-00-00 | 01-3/3 | | 0 | June 15/2022 |
| 72-00-00 | 01 | | 1 - 3 | June 15/2022 |
| 72-10-00 | TITLE | REDUCTION GEAR | 1 | Nov. 30/2009 |
| 72-15-00 | 01 | MODULE,REDUCTION GEAR | 0 | Nov. 30/2015 |
| 72-15-00 | 01 | | 1 | Nov. 30/2015 |
| 72-15-00 | 02 | MODULE,REDUCTION GEAR,UNDRESSED | 0 | Nov. 30/2015 |
| 72-15-00 | 02 | | 1 | Nov. 30/2015 |
| 72-15-20 | 01 | CASING ASSY,REAR,EQUIPPED | 0 | Nov. 30/2015 |
| 72-15-20 | 01 | | 1 | Nov. 30/2015 |
| 72-15-20 | 02 | CASING,REAR,REDUCT. GEAR | 0 | Nov. 30/2011 |
| 72-15-20 | 02 | | 1 | Nov. 30/2011 |
| 72-15-30 | 01 | CASING ASSY,FRONT,EQUIPPED | 0 | Nov. 30/2009 |
| 72-15-30 | 01 | | 1 | Nov. 30/2009 |
| 72-15-30 | 02 | CASING,FRONT,REDUCT.GEAR | 0 | Nov. 30/2009 |
| 72-15-30 | 02 | | 1 | Nov. 30/2009 |
| 72-30-00 | TITLE | COMPRESSOR | 1 | Nov. 30/2009 |
| 72-32-00 | 01 | MODULE,COMPRESSOR | 0 | Dec. 30/2021 |
| 72-32-00 | 01 | | 1 | Dec. 30/2021 |
| 72-32-10 | 01 | CASING ASSY,EQUIPPED | 0 | Dec. 30/2022 |

* Page modified following update No. 50

| <u>Chapter Section Subject</u> | <u>Figure</u> | <u>Title</u> | <u>Pages</u> | <u>Date</u> |
|--|---------------|--------------------------------|--------------|--------------|
| 72-32-10 | 01 | | 1 | Dec. 30/2022 |
| 72-32-10 | 02 | CASING,COMPRESSOR | * 0 | Dec. 30/2023 |
| 72-32-10 | 02 | | * 1 | Dec. 30/2023 |
| 72-40-00 | TITLE | COMBUSTION | 1 | Nov. 30/2009 |
| 72-43-00 | 01-1/3 | MODULE,GAS GENERATOR | 0 | Dec. 30/2022 |
| 72-43-00 | BLANK | | 0 | Dec. 30/2022 |
| 72-43-00 | 01-2/3 | | 0 | Dec. 30/2022 |
| 72-43-00 | BLANK | | 0 | Dec. 30/2022 |
| 72-43-00 | 01-3/3 | | 0 | Dec. 30/2022 |
| 72-43-00 | 01 | | 1 - 5 | Dec. 30/2022 |
| 72-43-00 | 02 | MODULE,GAS GENERATOR,UNDRESSED | 0 | May 30/2017 |
| 72-43-00 | 02 | | 1 | May 30/2017 |
| 72-43-00 | 03 | CASING,TURBINE | 0 | Nov. 30/2016 |
| 72-43-00 | 03 | | 1 | Nov. 30/2016 |
| 72-43-10 | 01 | REAR BEARING ASSY,DRESSED | 0 | Dec. 30/2018 |
| 72-43-10 | 01 | | 1 | Dec. 30/2018 |
| 72-43-10 | 02 | HOUSING,REAR BEARING | 0 | Nov. 30/2009 |
| 72-43-10 | 02 | | 1 | Nov. 30/2009 |
| 72-43-30 | 01 | HP NGV-ROTATING ASSY | 0 | Apr. 30/2014 |
| 72-43-30 | 01 | | 1 | Apr. 30/2014 |
| 72-50-00 | TITLE | TURBINE | 1 | Nov. 30/2009 |
| 72-54-00 | 01 | MODULE,POWER TURBINE | 0 | May 30/2017 |
| 72-54-00 | 01 | | 1 | May 30/2017 |
| 72-60-00 | TITLE | ACCESSORY DRIVES | 1 | Nov. 30/2009 |
| 72-61-00 | 01-1/3 | MODULE,ACCESSORY GEARBOX | 0 | Dec. 30/2021 |
| 72-61-00 | BLANK | | 0 | Dec. 30/2021 |
| 72-61-00 | 01-2/3 | | 0 | Dec. 30/2021 |
| 72-61-00 | BLANK | | 0 | Dec. 30/2021 |

* Page modified following update No. 50

| <u>Chapter Section Subject</u> | <u>Figure</u> | <u>Title</u> | <u>Pages</u> | <u>Date</u> |
|--|---------------|---------------------------------|--------------|--------------|
| 72-61-00 | 01-3/3 | | 0 | Dec. 30/2021 |
| 72-61-00 | 01 | | 1 - 5 | Dec. 30/2021 |
| 72-61-00 | 02 | MODULE,ACCES. GEARBOX,UNDRESSED | 0 | Nov. 30/2016 |
| 72-61-00 | 02 | | 1 | Nov. 30/2016 |
| 72-61-10 | 01 | TUBE,JUNCTION | 0 | June 15/2023 |
| 72-61-10 | 01 | | 1 | June 15/2023 |
| 72-61-20 | 01 | POWER SHAFT | 0 | Dec. 30/2022 |
| 72-61-20 | 01 | | 1 - 3 | Dec. 30/2022 |
| 72-61-30 | 01 | GEARS | 0 | Nov. 30/2016 |
| 72-61-30 | 01 | | 1 | Nov. 30/2016 |
| 72-61-40 | 01 | BASE PLATE ASSY,FILTER | 0 | Nov. 30/2009 |
| 72-61-40 | 01 | | 1 | Nov. 30/2009 |
| 72-61-50 | 01 | CASINGS,ASSEMBLED | 0 | June 15/2019 |
| 72-61-50 | 01 | | 1 | June 15/2019 |
| 72-70-00 | TITLE | EXHAUST PIPE | 1 | Nov. 30/2009 |
| 72-70-00 | 01 | PIPE,EXHAUST | 0 | Dec. 30/2019 |
| 72-70-00 | 01 | | 1 | Dec. 30/2019 |

* Page modified following update No. 50

PAGE LEFT BLANK INTENTIONALLY

CHAPTER 72 - TABLE OF CONTENTS

| <u>Title</u> | <u>Chapter Section Subject</u> | <u>Figure</u> |
|---------------------------------|--|---------------|
| ENGINE | 72-00-00 | |
| ENGINE,UNDRESSED | 72-00-00 | 01 |
| REDUCTION GEAR | 72-10-00 | |
| MODULE,REDUCTION GEAR | 72-15-00 | 01 |
| MODULE,REDUCTION GEAR,UNDRESSED | 72-15-00 | 02 |
| CASING ASSY,REAR,EQUIPPED | 72-15-20 | 01 |
| CASING,REAR,REDUCT. GEAR | 72-15-20 | 02 |
| CASING ASSY,FRONT,EQUIPPED | 72-15-30 | 01 |
| CASING,FRONT,REDUCT.GEAR | 72-15-30 | 02 |
| COMPRESSOR | 72-30-00 | |
| MODULE,COMPRESSOR | 72-32-00 | 01 |
| CASING ASSY,EQUIPPED | 72-32-10 | 01 |
| CASING,COMPRESSOR | 72-32-10 | 02 |
| COMBUSTION | 72-40-00 | |
| MODULE,GAS GENERATOR | 72-43-00 | 01 |
| MODULE,GAS GENERATOR,UNDRESSED | 72-43-00 | 02 |
| CASING,TURBINE | 72-43-00 | 03 |
| REAR BEARING ASSY,DRESSED | 72-43-10 | 01 |
| HOUSING,REAR BEARING | 72-43-10 | 02 |
| HP NGV-ROTATING ASSY | 72-43-30 | 01 |
| TURBINE | 72-50-00 | |
| MODULE,POWER TURBINE | 72-54-00 | 01 |
| ACCESSORY DRIVES | 72-60-00 | |
| MODULE,ACCESSORY GEARBOX | 72-61-00 | 01 |
| MODULE,ACCES. GEARBOX,UNDRESSED | 72-61-00 | 02 |
| TUBE,JUNCTION | 72-61-10 | 01 |
| POWER SHAFT | 72-61-20 | 01 |
| GEARS | 72-61-30 | 01 |
| BASE PLATE ASSY,FILTER | 72-61-40 | 01 |
| CASINGS,ASSEMBLED | 72-61-50 | 01 |
| EXHAUST PIPE | 72-70-00 | |
| PIPE,EXHAUST | 72-70-00 | 01 |

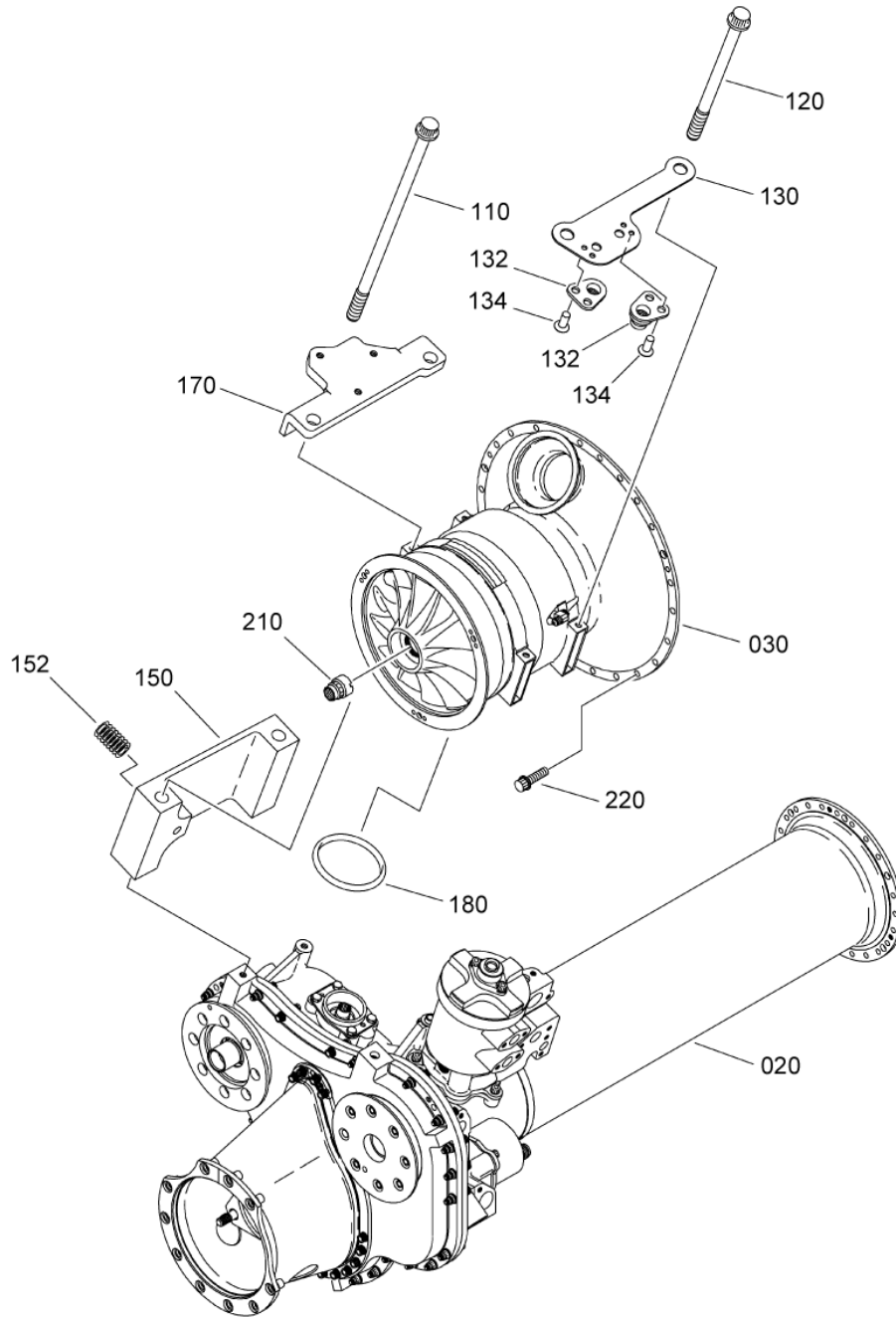
* TURBOMECA Maintenance Level

PAGE LEFT BLANK INTENTIONALLY

DETAILED PART LIST

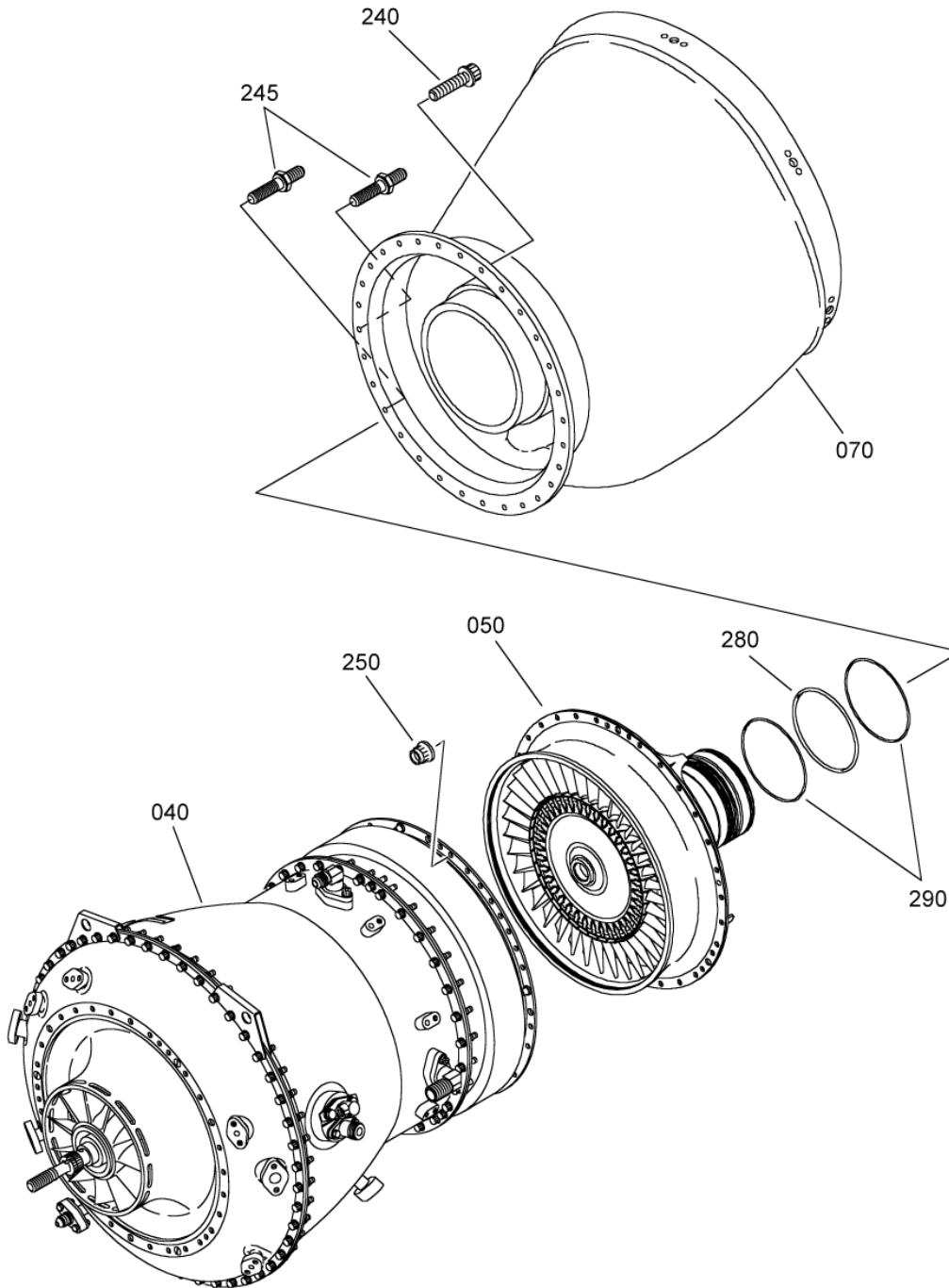
ENGINE

72-00-00



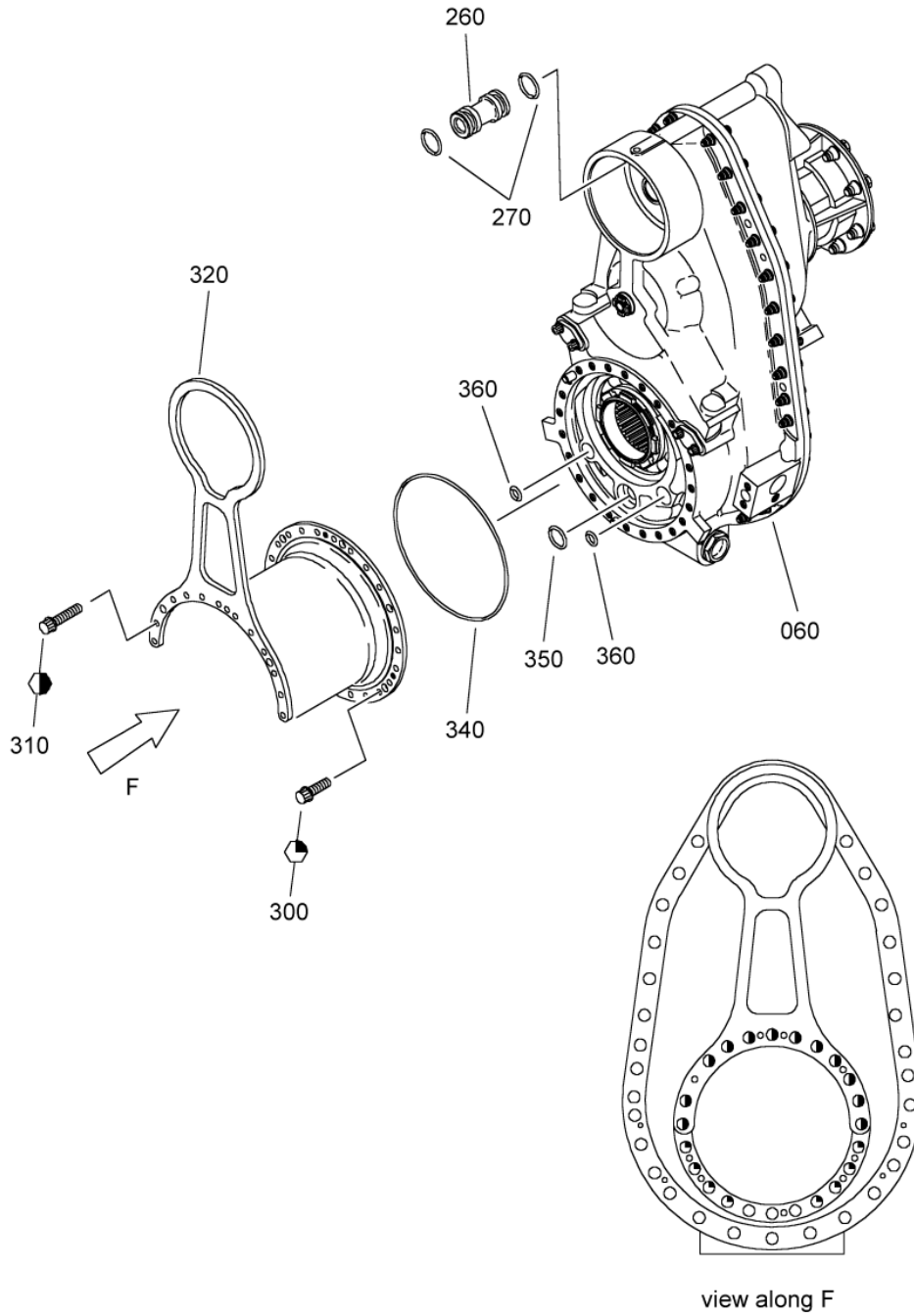
ENGINE, UNDRESSED
Figure 01 (Sheet 1/3)

PAGE LEFT BLANK INTENTIONALLY



ENGINE, UNDRESSED
Figure 01 (Sheet 2/3)

PAGE LEFT BLANK INTENTIONALLY



ENGINE, UNDRESSED
Figure 01 (Sheet 3/3)

SAFRAN HELICOPTER ENGINES

ARRIEL 2 C2

MAINTENANCE SPARE PARTS CATALOG

| FIGURE ITEM | PART NUMBER | AIRL. STOCK No. | DESCRIPTION | EFFECT | QTY |
|----------------|---------------|-----------------------|--|--------|-----|
| | | | 1 2 3 4 5 6 7 | | |
| 01 | | | | | |
| -001 | 0292025120 | | ENGINE,UNDRESSED REPAIRABLE NON PROCURABLE REFER TO CHAP. 71-00-00 FIG.01 ITEM 100 | | RF |
| 020 | 70BM011900 | | . MODULE,ACCESSORY GEARBOX REPAIRABLE PRE TU219 (AE 119947) | | 1 |
| -020A | 70BM011950 | | . MODULE,ACCESSORY GEARBOX REPAIRABLE POST TU219 (AE 119947) REFER TO CHAP.72-61-00 FOR DETAILS | | 1 |
| 030 | 70BM021900 | | . MODULE,COMPRESSOR REPAIRABLE REFER TO CHAP.72-32-00 FOR DETAILS | | 1 |
| 040 | 70BM031900 | | . MODULE,GAS GENERATOR REPAIRABLE PRE TU 181 (AE 93952) | | 1 |
| -040A | 70BM031940 | | . MODULE,GAS GENERATOR REPAIRABLE POST TU 181 (AE 93952) REFER TO CHAP.72-43-00 FOR DETAILS | | 1 |
| 050 | 70BM041750 | | . MODULE,POWER TURBINE REPAIRABLE REFER TO CHAP.72-54-00 FOR DETAILS | | 1 |
| 060 | 70BM051900 | | . MODULE,REDUCTION GEAR REPAIRABLE REFER TO CHAP.72-15-00 FOR DETAILS | | 1 |
| 070 | 0292815020 | | . PIPE,EXHAUST REPAIRABLE REFER TO CHAP.72-70-00 FOR DETAILS | | 1 |
| -100 | 0292995170 | | . PARTS,ASSEMBLY NON PROCURABLE | | 1 |
| 110 | 0000026870 | | . . SCREW | | 2 |
| 120 | 0000025380 | | . . SCREW | | 2 |
| 130 | 0292767130 | | . . SUPPORT | | 1 |
| 132 | 5SMR4205 | | . . . NUT - VF0224 (9564090020) | | 2 |
| 134 | 21217CA2406 | | . . . RIVET - VF0111 (9961240621) | | 4 |
| 150 | 0292677000 | | . . SPACER,EQUIPPED | | 1 |
| 152 | EN2944-050125 | | . . . THREAD,INSERT - VI9005 (9728050805) | | 1 |
| 170 | 0292760020 | | . . SUPPORT,SENSOR | | 1 |
| 180 | 9682003092 | | . . PACKING,PREFORMED | | 1 |
| 210 | 0000080910 | | . . NUT NON PROCURABLE PRE TU 153 (AE 67997) | | 1 |
| -210A | 0000080710 | | . . NUT | | 1 |
| 220 | EN3686050018 | | . . SCREW - VI9005 (9836405018) | | 27 |
| 240 | EN3686050018 | | . . SCREW - VI9005 (9836405018) | | 25 |
| 245 | 0000022670 | | . . SCREW,TAIL | | 2 |
| 250 | EN3377-050 | | . . NUT - VI9005 (9867500500) | | 27 |
| 260 | 0292991020 | | . . DUCT | | 1 |

- ITEM NOT ILLUSTRATED

SAFRAN HELICOPTER ENGINES

ARRIEL 2 C2

MAINTENANCE SPARE PARTS CATALOG

| FIGURE ITEM | PART NUMBER | AIRL. STOCK No. | DESCRIPTION | EFFECT | QTY |
|----------------|--------------|-----------------------|---|--------|-----|
| | | | 1 2 3 4 5 6 7 | | |
| 01 | | | | | |
| 270 | 46012A00875 | | . . PACKING,PREFORMED - VF0111 (9794410088) | | 2 |
| 280 | 9682508403 | | . . PACKING,PREFORMED | | 1 |
| 290 | 9681508502 | | . . PACKING,PREFORMED | | 2 |
| 300 | EN3686050016 | | . . SCREW - VI9005 (9836405016) | | 8 |
| 310 | EN3686050022 | | . . SCREW - VI9005 (9836405022) | | 12 |
| 320 | 0292990960 | | . . STIRRUP,POWER TURBINE BEARING | | 1 |
| 340 | 9682013102 | | . . PACKING,PREFORMED | | 1 |
| 350 | 9794172203 | | . . PACKING,PREFORMED | | 1 |
| 360 | 9794095203 | | . . PACKING,PREFORMED | | 2 |

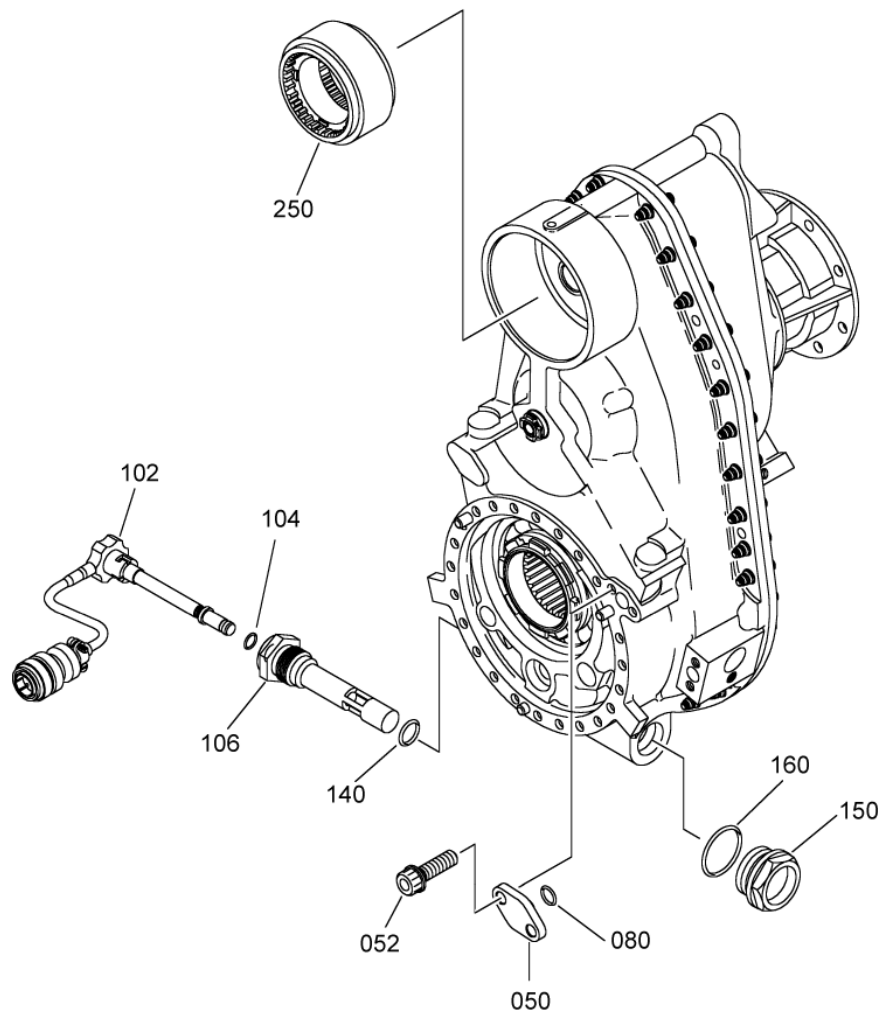
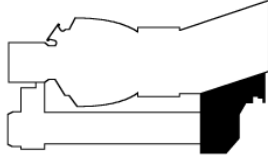
- ITEM NOT ILLUSTRATED

PAGE LEFT BLANK INTENTIONALLY

DETAILED PART LIST

REDUCTION GEAR

72-10-00



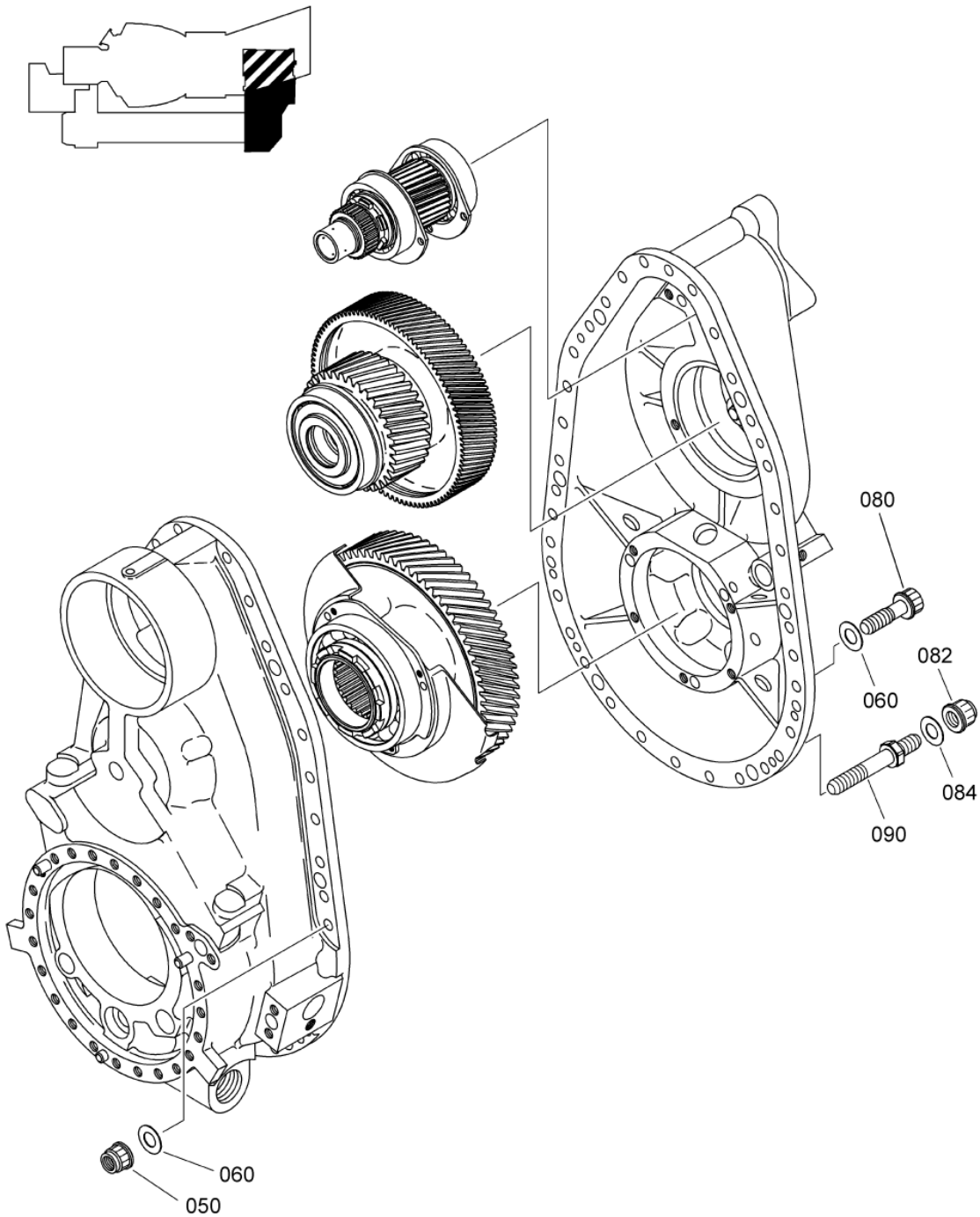
MODULE, REDUCTION GEAR
Figure 01

TURBOMECA ARRIEL 2 C2

MAINTENANCE SPARE PARTS CATALOG

| FIGURE ITEM | PART NUMBER | AIRL. STOCK No. | DESCRIPTION | EFFECT | QTY |
|----------------|--------------|-----------------------|--|--------|-----|
| | | | 1 2 3 4 5 6 7 | | |
| 01 | | | | | |
| -001 | 70BM051900 | | MODULE,REDUCTION GEAR REPAIRABLE REFER TO CHAP. 72-00-00 FIG.01 ITEM 060 | | RF |
| 050 | 9943800060 | | . BLANK | | 1 |
| 052 | EN3686050016 | | ATTACHING PARTS . SCREW - VI9005 (9836405016) *** | | 2 |
| 080 | 46012A00560 | | . PACKING,PREFORMED - VF0111 (9794410056) | | 1 |
| -100 | 32129001 | | . MAGNETIC PLUG,ELECTRICAL - VFA3W9 (9550177620) NON REPAIRABLE | | 1 |
| 102 | 32129101 | | . . HEAD,MAGNETIC - VFA3W9 (9520011691) | | 1 |
| 104 | 46012A00690 | | . . PACKING,PREFORMED - VF0111 (9794410069) | | 1 |
| 106 | 32129201 | | . . RECEPTACLE - VFA3W9 (9520011692) | | 1 |
| 140 | 9794190253 | | . PACKING,PREFORMED | | 1 |
| 150 | 9892100070 | | . PLUG | | 1 |
| 160 | 9794190253 | | . PACKING,PREFORMED | | 1 |
| 250 | 0292717390 | | . SLEEVE ASSY PRE TU 100A (AE 50745) | | 1 |
| -250A | 0292717600 | | . SLEEVE ASSY POST TU 100A (AE 50745) | | 1 |
| -300 | - | | . MODULE,REDUCTION GEAR,UNDRESSED NON PROCURABLE REFER TO FIG.02 FOR DETAILS | | 1 |

- ITEM NOT ILLUSTRATED



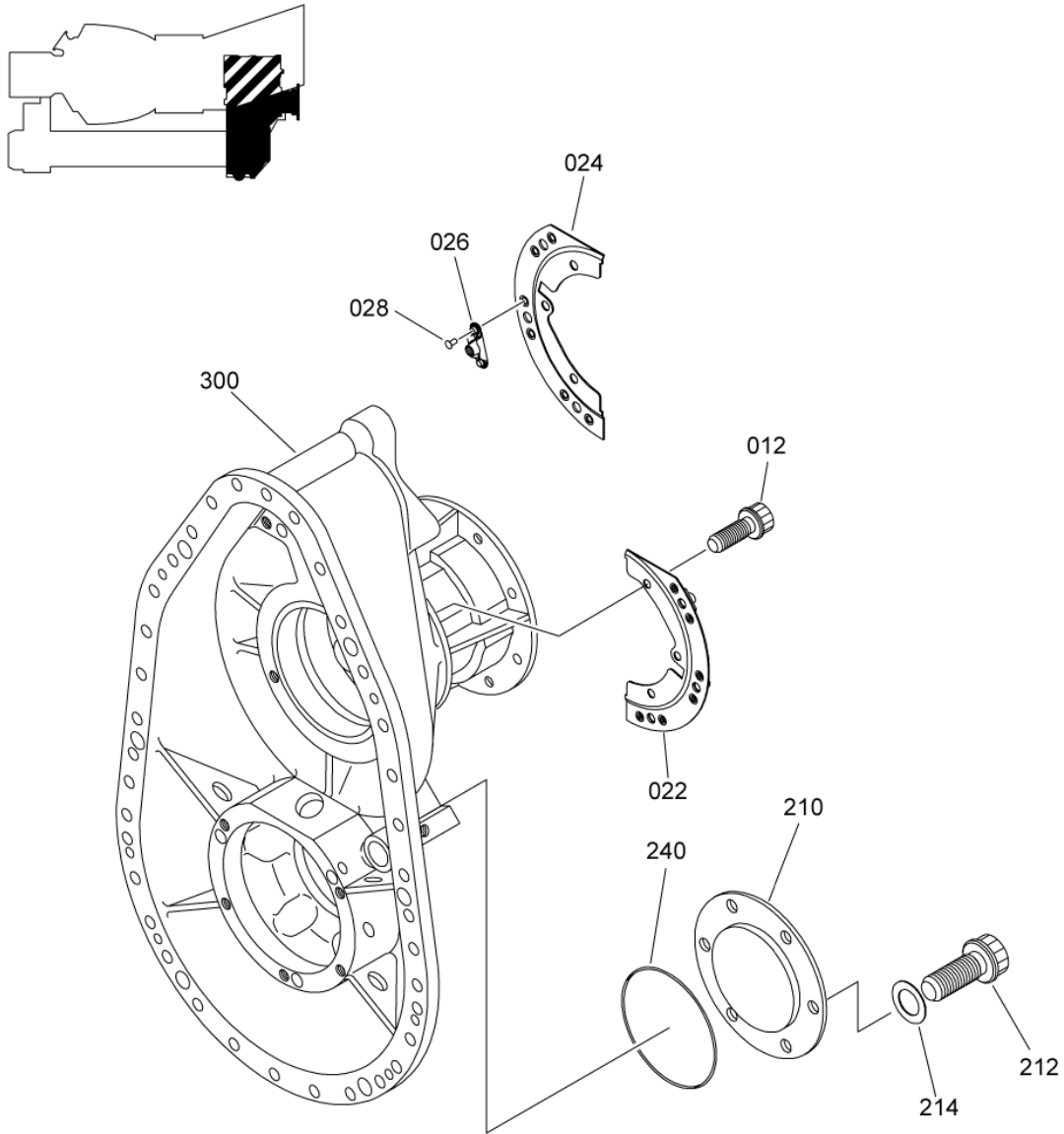
MODULE,REDUCTION GEAR,UNDRESSED
Figure 02

TURBOMECA ARRIEL 2 C2

MAINTENANCE SPARE PARTS CATALOG

| FIGURE ITEM | PART NUMBER | AIRL. STOCK No. | DESCRIPTION | EFFECT | QTY |
|----------------|--------------|-----------------------|--|--------|-----|
| | | | 1 2 3 4 5 6 7 | | |
| 02 -001 | - | | MODULE,REDUCTION GEAR,UNDRESSED NON PROCURABLE REFER TO FIG. 01 ITEM 300 | | RF |
| 050 | 9866205026 | | . NUT 9866205026 IS THE TURBOMECA PART NUMBER FOR: VF0111 - 22526-050 VI9005 - EN2906-050 | | 1 |
| 060 | 9740050022 | | . WASHER | | 1 |
| 080 | EN3686050018 | | . SCREW - VI9005 (9836405018) | | 1 |
| 082 | 9866205026 | | . NUT 9866205026 IS THE TURBOMECA PART NUMBER FOR: VF0111 - 22526-050 VI9005 - EN2906-050 | | 2 |
| 084 | 9740050022 | | . WASHER | | 2 |
| 090 | 0000025840 | | . SCREW, TAIL | | 2 |
| -200 | - | | . CASING ASSY, REAR, EQUIPPED NON PROCURABLE REFER TO CHAP.72-15-20 FOR DETAILS | | 1 |
| -250 | - | | . CASING ASSY, FRONT, EQUIPPED NON PROCURABLE REFER TO CHAP.72-15-30 FOR DETAILS | | 1 |

- ITEM NOT ILLUSTRATED



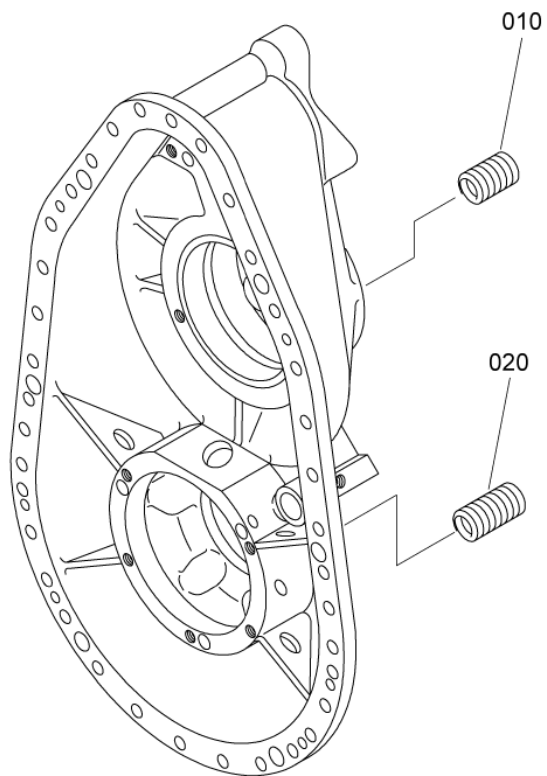
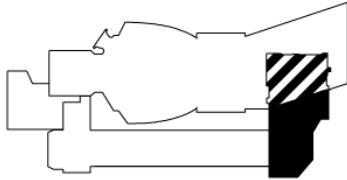
CASING ASSY, REAR, EQUIPPED
Figure 01

TURBOMECA ARRIEL 2 C2

MAINTENANCE SPARE PARTS CATALOG

| FIGURE ITEM | PART NUMBER | AIRL. STOCK No. | DESCRIPTION | EFFECT | QTY |
|----------------|--------------|-----------------------|--|--------|-----|
| | | | 1 2 3 4 5 6 7 | | |
| 01 -001 | - | | CASING ASSY, REAR, EQUIPPED NON PROCURABLE REFER TO CHAP. 72-15-00 FIG.02 ITEM 200 | | RF |
| 012 | EN3686050014 | | . SCREW - VI9005 (9836405014) | | 6 |
| -020 | 0292717500 | | . BULKHEAD, REAR, EQUIPPED | | 1 |
| 022 | 2292710850 | | . . HALF FIREWALL, LEFT REAR NON PROCURABLE | | 1 |
| 024 | 2292710860 | | . . HALF FIREWALL, RIGHT REAR NON PROCURABLE | | 1 |
| 026 | 5JSFR50005 | | . . ANCHOR NUT - VF0224 (9560114640) | | 6 |
| 028 | 21217CA2405 | | . . RIVET - VF0111 (9961240521) | | 12 |
| 210 | 0292910020 | | . COVER, BLANKING | | 1 |
| | | | ATTACHING PARTS | | |
| 212 | EN3686070018 | | . SCREW - VI9005 (9836407018) | | 6 |
| 214 | 9975070024 | | . WASHER *** | | 6 |
| 240 | 9681506552 | | . PACKING, PREFORMED | | 1 |
| 300 | 0292717410 | | . CASING, REAR, REDUCT. GEAR NON PROCURABLE REFER TO FIG.02 FOR DETAILS | | 1 |

- ITEM NOT ILLUSTRATED



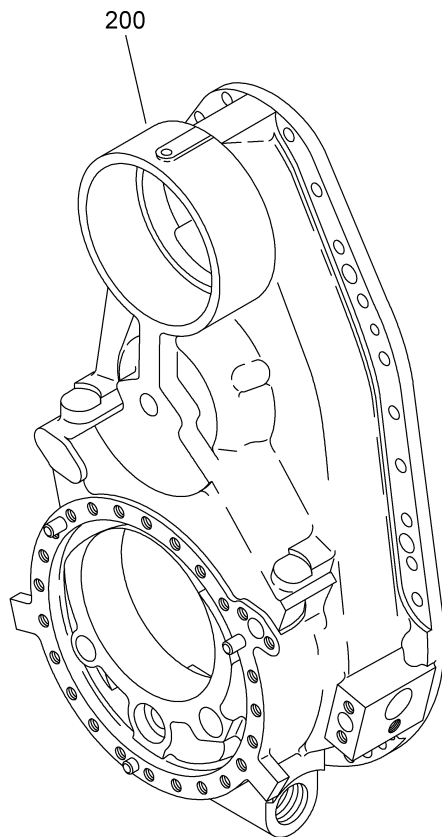
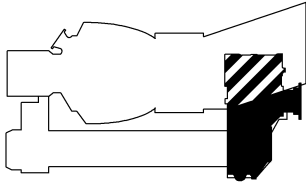
CASING,REAR,REDUCT. GEAR
Figure 02

TURBOMECA ARRIEL 2 C2

MAINTENANCE SPARE PARTS CATALOG

| FIGURE ITEM | PART NUMBER | AIRL. STOCK No. | DESCRIPTION | EFFECT | QTY |
|----------------|---------------|-----------------------|---|--------|-----|
| | | | 1 2 3 4 5 6 7 | | |
| 02 -001 | 0292717410 | | CASING,REAR,REDUCT. GEAR NON PROCURABLE REFER TO FIG. 01 ITEM 300 | | RF |
| 010 | EN2944-050100 | | . THREAD,INSERT - VI9005 (9728050804) | | 18 |
| 020 | EN2944-070140 | | . THREAD,INSERT - VI9005 (9728071004) | | 6 |

- ITEM NOT ILLUSTRATED



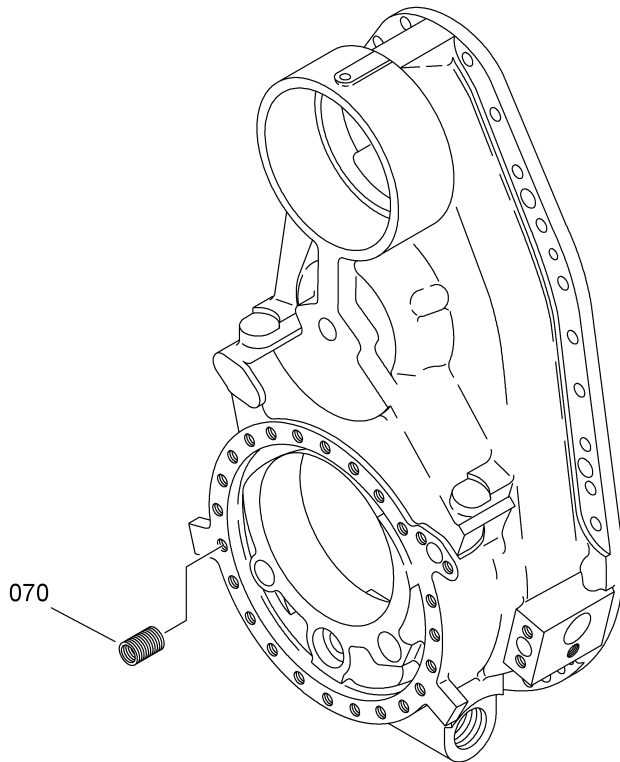
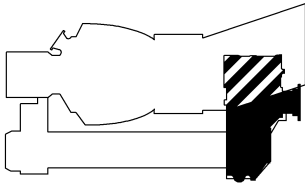
CASING ASSY, FRONT, EQUIPPED
Figure 01

TURBOMECA ARRIEL 2 C2

MAINTENANCE SPARE PARTS CATALOG

| FIGURE ITEM | PART NUMBER | AIRL. STOCK No. | DESCRIPTION | EFFECT | QTY |
|----------------|-------------|-----------------------|---|--------|-----|
| | | | 1 2 3 4 5 6 7 | | |
| 01 -001 | - | | CASING ASSY,FRONT,EQUIPPED NON PROCURABLE REFER TO CHAP. 72-15-00 FIG.02 ITEM 250 | | RF |
| 200 | 0292717470 | | . CASING,FRONT,REDUCT.GEAR NON PROCURABLE REFER TO FIG.02 FOR DETAILS | | 1 |

- ITEM NOT ILLUSTRATED



CASING,FRONT,REDUCT.GEAR
Figure 02

TURBOMECA ARRIEL 2 C2

MAINTENANCE SPARE PARTS CATALOG

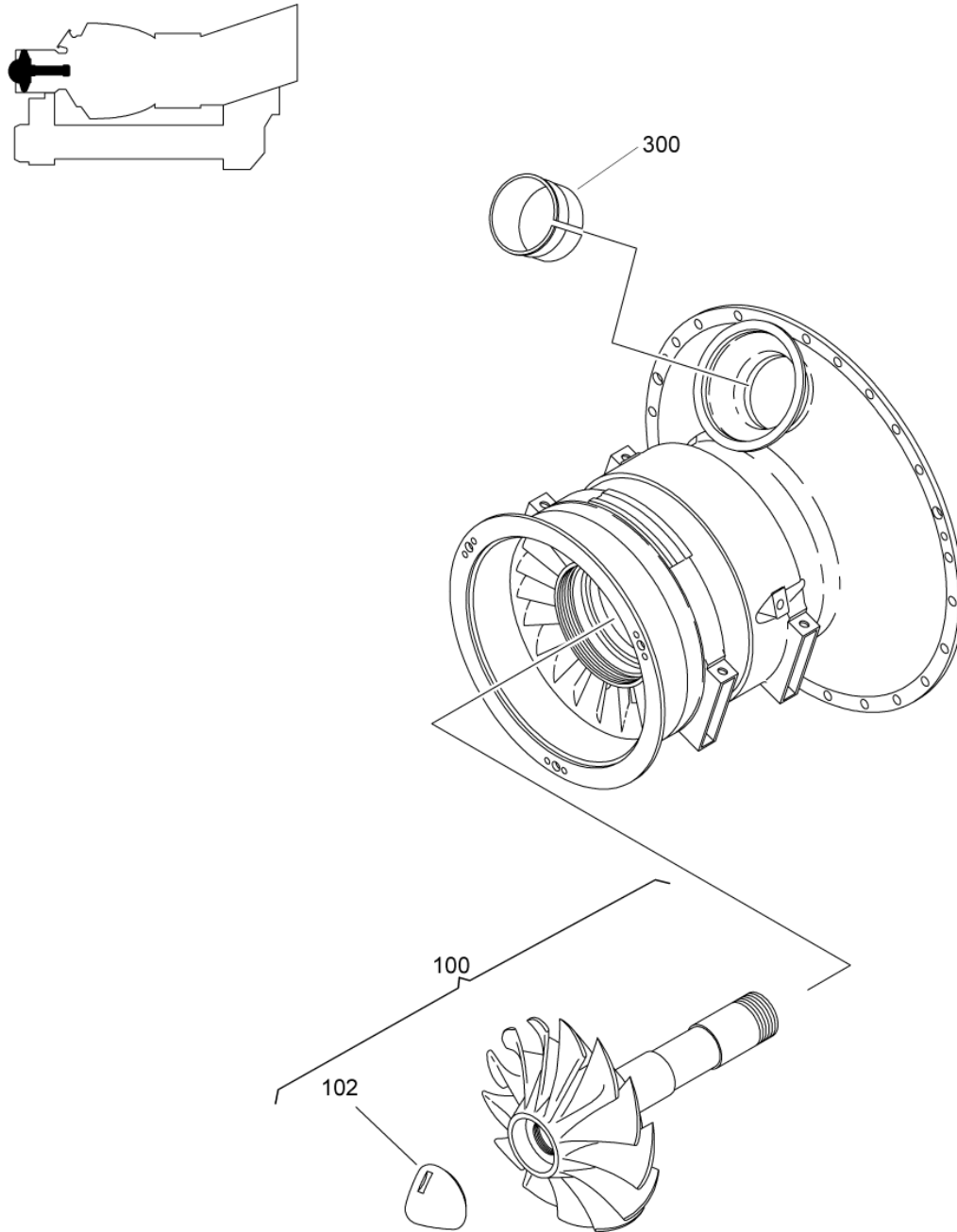
| FIGURE ITEM | PART NUMBER | AIRL. STOCK No. | DESCRIPTION | EFFECT | QTY |
|----------------|---------------|-----------------------|---|--------|-----|
| | | | 1 2 3 4 5 6 7 | | |
| 02 -001 | 0292717470 | | CASING,FRONT,REDUCT.GEAR NON PROCURABLE REFER TO FIG. 01 ITEM 200 | | RF |
| 070 | EN2944-050100 | | . THREAD,INSERT - VI9005 (9728050804) | | 52 |

- ITEM NOT ILLUSTRATED

DETAILED PART LIST

COMPRESSOR

72-30-00



MODULE,COMPRESSOR
Figure 01

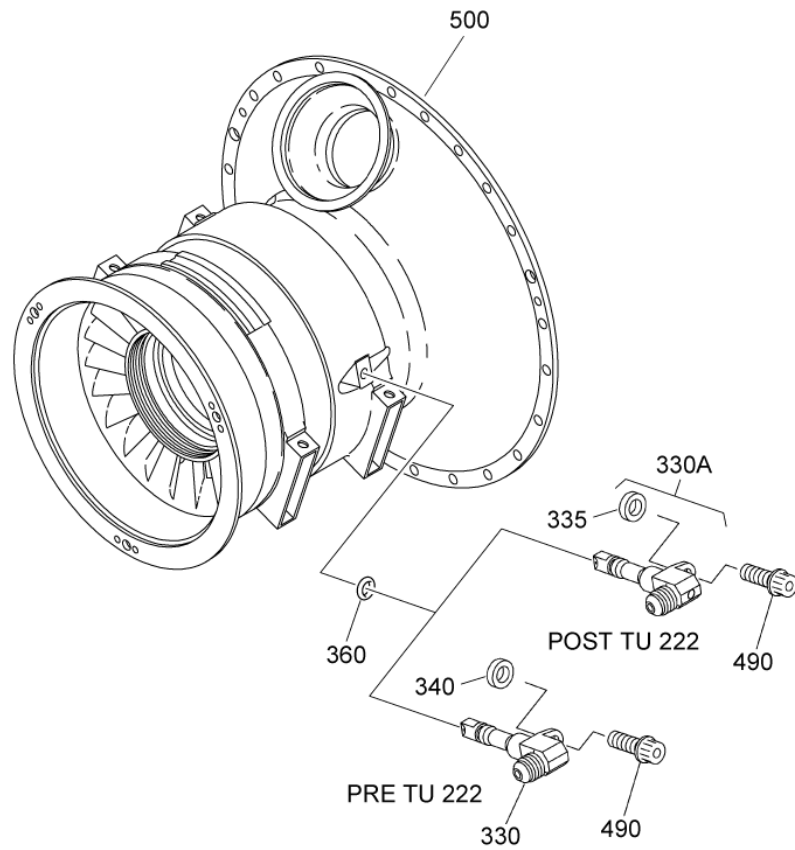
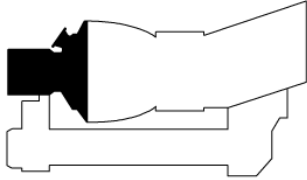
SAFRAN HELICOPTER ENGINES

ARRIEL 2 C2

MAINTENANCE SPARE PARTS CATALOG

| FIGURE ITEM | PART NUMBER | AIRL. STOCK No. | DESCRIPTION | EFFECT | QTY |
|----------------|-------------|-----------------------|--|--------|-----|
| | | | 1 2 3 4 5 6 7 | | |
| 01 | | | | | |
| -001 | 70BM021900 | | MODULE,COMPRESSOR REPAIRABLE REFER TO CHAP. 72-00-00 FIG.01 ITEM 030 | | RF |
| 100 | 0292158460 | | . WHEEL ASSY,AXIAL COMPRESSOR NON PROCURABLE PRE TU 153 (AE 67997) | | 1 |
| -100A | 0292150080 | | . WHEEL ASSY,AXIAL COMPRESSOR NON PROCURABLE POST TU 153 (AE 67997) | | 1 |
| 102 | 0292991040 | | . . CONE,INLET | | 1 |
| -150 | - | | . CASING ASSY,EQUIPPED NON PROCURABLE REFER TO CHAP.72-32-10 FOR DETAILS | | 1 |
| 300 | 0292153330 | | . SLEEVE | | 1 |

- ITEM NOT ILLUSTRATED



CASING ASSY,EQUIPPED
Figure 01

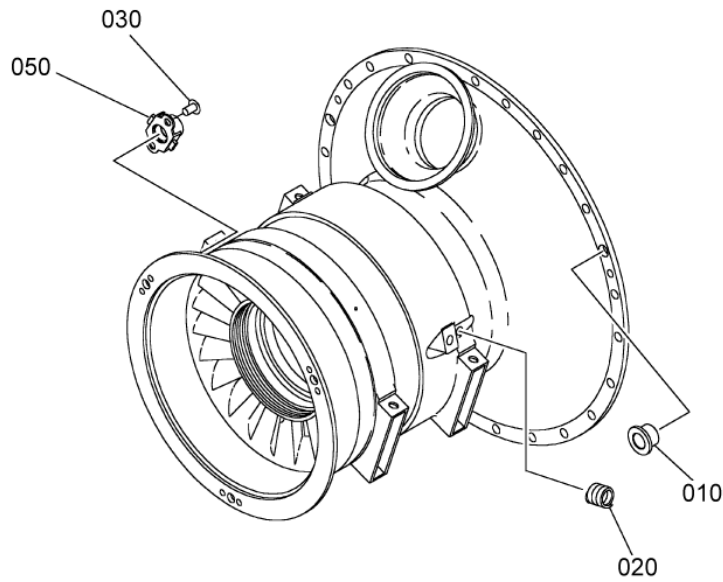
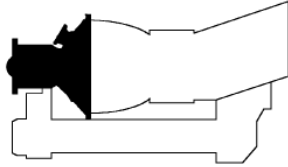
SAFRAN HELICOPTER ENGINES

ARRIEL 2 C2

MAINTENANCE SPARE PARTS CATALOG

| FIGURE ITEM | PART NUMBER | AIRL. STOCK No. | DESCRIPTION | EFFECT | QTY |
|----------------|--------------|-----------------------|--|--------|-----|
| | | | 1 2 3 4 5 6 7 | | |
| 01 | | | | | |
| -001 | - | | CASING ASSY,EQUIPPED NON PROCURABLE REFER TO CHAP. 72-32-00 FIG.01 ITEM 150 | | RF |
| 330 | 0292158250 | | . JET,EQUIPPED NON PROCURABLE PRE TU222 (AE 121365) POST TU222 (AE 121365) BECOMES ITEM 330B | | 1 |
| 330A | 0292150510 | | . JET,EQUIPPED POST TU222 (AE 121365) | | 1 |
| -330B | 729215825A | | . JET,EQUIPPED NON PROCURABLE POST TU222 (AE 121365) RETROFIT ITEM 330 ALTERNATE ITEM 330A | | 1 |
| 335 | 2292150360 | | . . WASHER,ADJUSTING NON PROCURABLE POST TU222 (AE 121365) | | 1 |
| -335A | 9994050024 | | . . WASHER POST TU222 (AE 121365) ALTERNATE ITEM 335 | | 1 |
| 340 | 9994050024 | | . WASHER PRE TU222 (AE 121365) | | 1 |
| 360 | 46012A00600 | | . PACKING,PREFORMED - VF0111 (9794410060) | | 1 |
| 490 | EN3686050014 | | . SCREW - VI9005 (9836405014) | | 3 |
| 500 | 0292158490 | | . CASING,COMPRESSOR NON PROCURABLE | | 1 |
| -500A | 0292150450 | | . CASING,COMPRESSOR NON PROCURABLE POST ACR (AE 95015) REFER TO FIG.02 FOR DETAILS | | 1 |

- ITEM NOT ILLUSTRATED



CASING,COMPRESSOR
Figure 02

SAFRAN HELICOPTER ENGINES

ARRIEL 2 C2

MAINTENANCE SPARE PARTS CATALOG

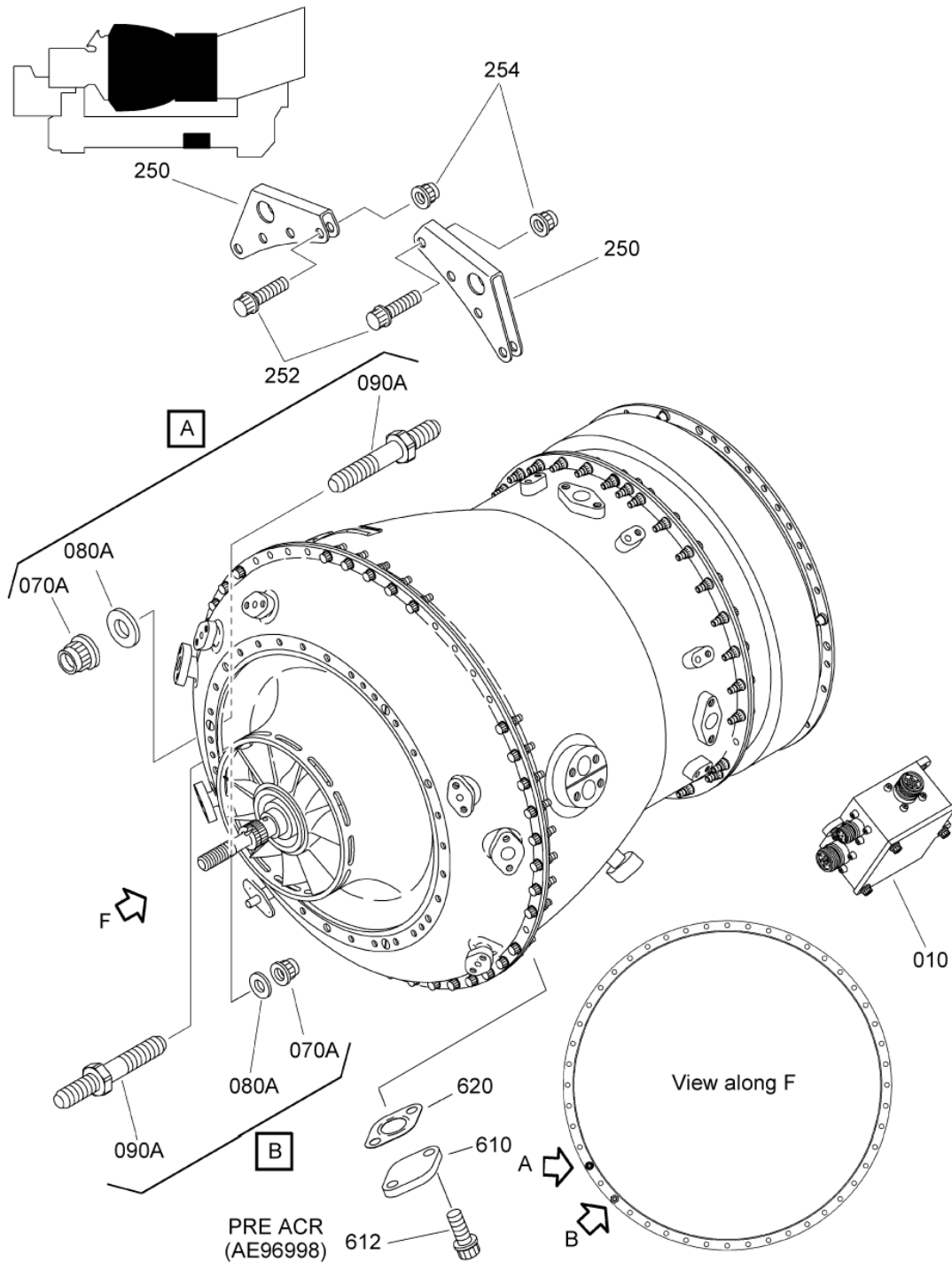
| FIGURE ITEM | PART NUMBER | AIRL. STOCK No. | DESCRIPTION | EFFECT | QTY |
|----------------|---------------|-----------------------|---|--------|-----|
| | | | 1 2 3 4 5 6 7 | | |
| 02 | | | | | |
| -001 | 0292158490 | | CASING,COMPRESSOR NON PROCURABLE | a | RF |
| -001A | 0292150450 | | CASING,COMPRESSOR NON PROCURABLE POST ACR (AE 95015) REFER TO FIG. 01 ITEM 500 | b | RF |
| 010 | 0292152460 | | . BUSH | | 3 |
| -010A | 7292152461 | | . BUSH POST ACR (AE 87560) SELECTED PART | | 3 |
| -010B | 7292152463 | | . BUSH POST ACR (AE 87560) SELECTED PART | | 3 |
| -010C | 7292152466 | | . BUSH POST ACR (AE 87560) SELECTED PART | | 3 |
| -012 | | | DELETED | | |
| -014 | | | DELETED | | |
| -016 | | | DELETED | | |
| 020 | EN2944-050075 | | . THREAD,INSERT - VI9005 (9728050803) | | 1 |
| 030 | 21215CA2404 | | . RIVET - VF0111 (9960240421) | | 6 |
| 050 | 5SMF5209M | | . NUT - VF0224 (9560119880) | | 3 |

- ITEM NOT ILLUSTRATED

DETAILED PART LIST

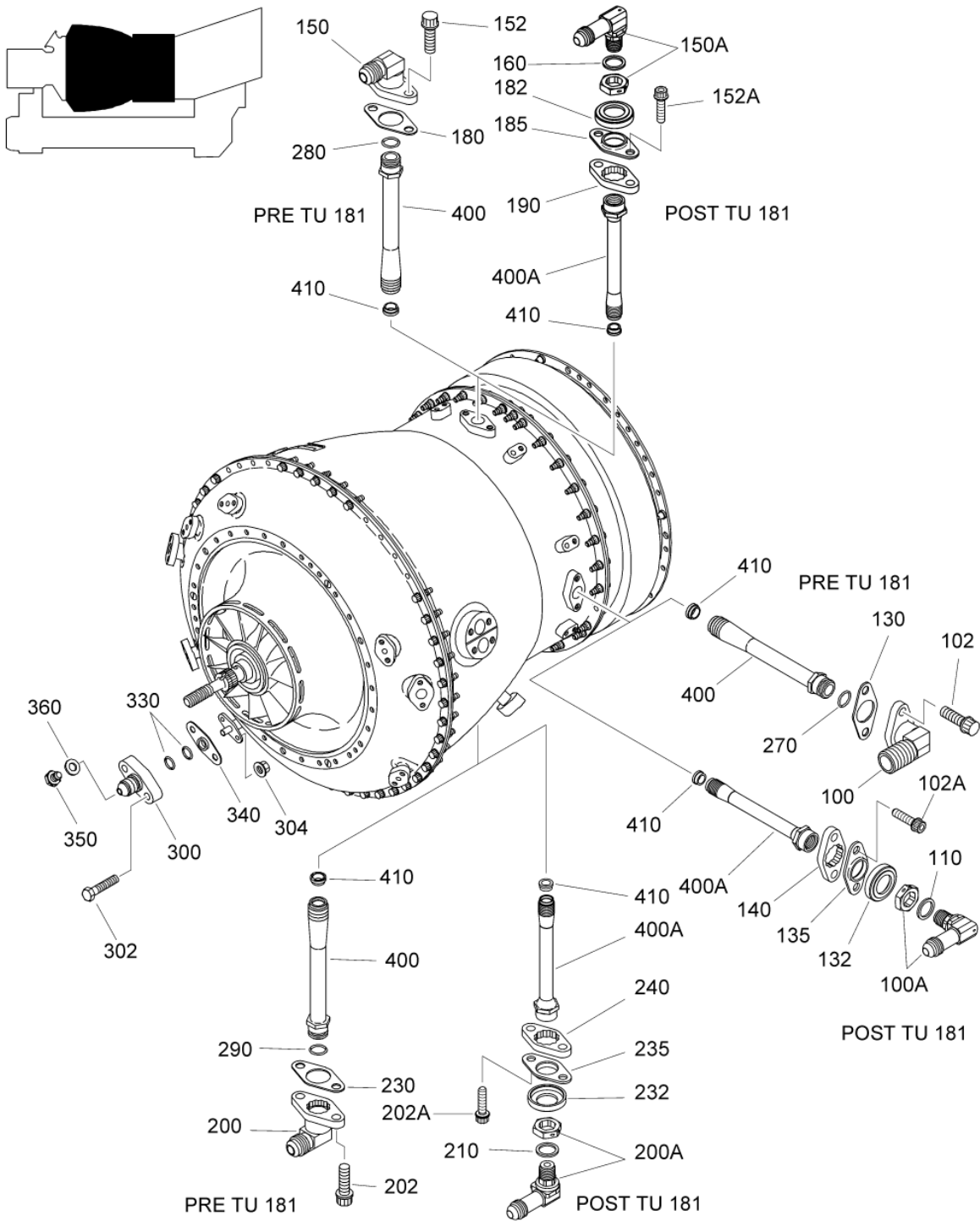
COMBUSTION

72-40-00



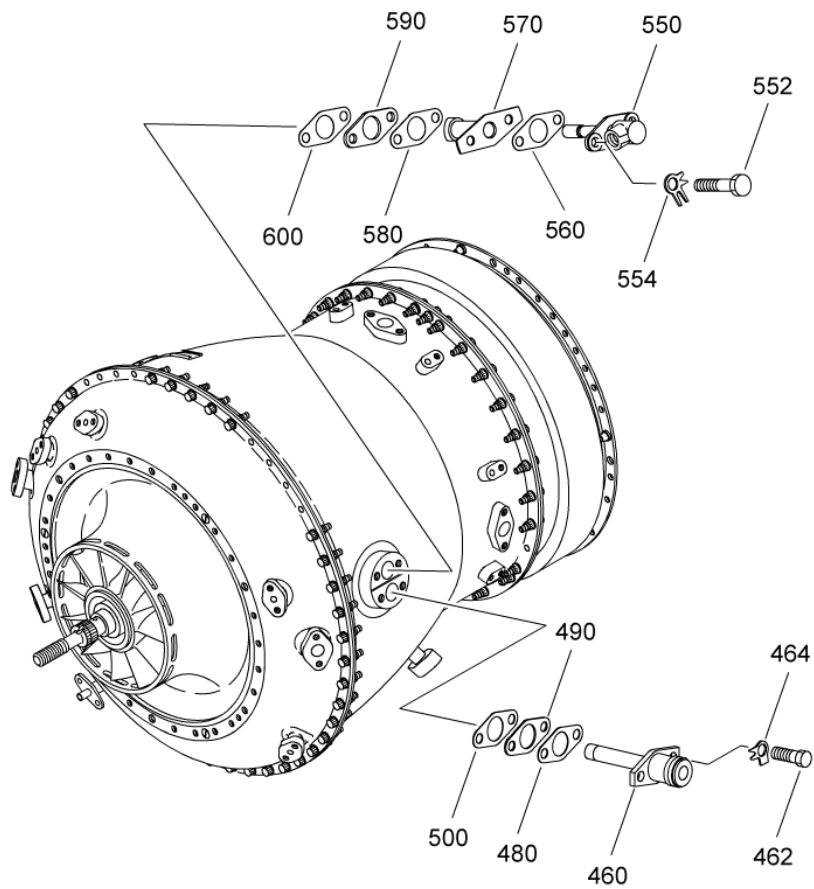
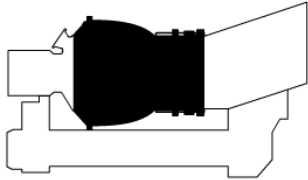
MODULE,GAS GENERATOR
Figure 01 (Sheet 1/3)

PAGE LEFT BLANK INTENTIONALLY



MODULE,GAS GENERATOR
Figure 01 (Sheet 2/3)

PAGE LEFT BLANK INTENTIONALLY



MODULE,GAS GENERATOR
Figure 01 (Sheet 3/3)

SAFRAN HELICOPTER ENGINES

ARRIEL 2 C2

MAINTENANCE SPARE PARTS CATALOG

| FIGURE ITEM | PART NUMBER | AIRL. STOCK No. | DESCRIPTION | EFFECT | QTY |
|----------------|--------------|-----------------------|--|--------|-----|
| | | | 1 2 3 4 5 6 7 | | |
| 01 | | | | | |
| -001 | 70BM031900 | | MODULE,GAS GENERATOR REPAIRABLE PRE TU 181 (AE 93952) | a | RF |
| -001A | 70BM031940 | | MODULE,GAS GENERATOR REPAIRABLE POST TU 181 (AE 93952) | b | RF |
| -005 | 0292677170 | | REFER TO CHAP. 72-00-00 FIG.01 ITEM 040 . EQUIPMENT,MODULE 3 NON PROCURABLE | | 1 |
| -005A | - | | PRE TU 181 (AE 93952) . EQUIPMENT,MODULE 3 NON PROCURABLE | | 1 |
| 010 | 0292697520 | | POST TU 181 (AE 93952) . . BOX,JUNCTION,T4-5 MATCHING REPAIRABLE | | 1 |
| -010A | 0292697900 | | PRE ACR (AE 110704) . . BOX,JUNCTION,T4-5 MATCHING REPAIRABLE | | 1 |
| -070 | 9866205026 | | POST ACR (AE 110704) REFER TO CHAP.77-22-01 FOR DETAILS . . NUT | | 1 |
| 070A | 9866205026 | | 9866205026 IS THE SAFRAN HE PART NUMBER FOR: VF0111 - 22526-050 VI9005 - EN2906-050 PRE ACR (AE 65761) . . NUT | | 2 |
| -080 | 23112CF050 | | 9866205026 IS THE SAFRAN HE PART NUMBER FOR: VF0111 - 22526-050 VI9005 - EN2906-050 POST ACR (AE 65761) . . WASHER - VF0111 (9975050024) PRE ACR (AE 65761) | | 1 |
| 080A | 23112CF050 | | POST ACR (AE 65761) . . WASHER - VF0111 (9975050024) POST ACR (AE 65761) | | 2 |
| -090 | 0000022670 | | . . SCREW,TAIL PRE ACR (AE 65761) | | 1 |
| 090A | 0000022670 | | . . SCREW,TAIL POST ACR (AE 65761) | | 2 |
| 100 | 0292720690 | | . . UNION,FLANGE PRE TU 181 (AE 93952) | | 1 |
| 100A | 50499002 | | . . SWIVEL UNION - VFA3W9 (9560177090) POST TU 181 (AE 93952) | | 1 |
| 102 | EN3686050016 | | ATTACHING PARTS . . SCREW - VI9005 (9836405016) PRE TU 181 (AE 93952) | | 2 |
| 102A | EN3686050018 | | . . SCREW - VI9005 (9836405018) POST TU 181 (AE 93952) *** | | 2 |

- ITEM NOT ILLUSTRATED

SAFRAN HELICOPTER ENGINES

ARRIEL 2 C2

MAINTENANCE SPARE PARTS CATALOG

| FIGURE ITEM | PART NUMBER | AIRL. STOCK No. | DESCRIPTION | EFFECT | QTY |
|----------------|--------------|-----------------------|--|--------|-----|
| | | | 1 2 3 4 5 6 7 | | |
| 01 | | | | | |
| 110 | 30004937 | | . . COPPER GASKET - VFA3W9 (9560177240) POST ACR (AE 106911) PART OF ITEM 100A | | 1 |
| 130 | 3-12ZA00-921 | | . . GASKET - VF1253 (9560166810) PRE TU 181 (AE 93952) | | 1 |
| 132 | 0292510100 | | . . SHOULDERED WASHER POST TU 181 (AE 93952) | | 1 |
| -132A | 0292510120 | | . . SHOULDERED WASHER POST TU 181 (AE 93952) ALTERNATE ITEM 132 | | 1 |
| 135 | 0292510080 | | . . COVER POST TU 181 (AE 93952) | | 1 |
| 140 | 0292510040 | | . . ANTI-TORQUE RING POST TU 181 (AE 93952) | | 1 |
| 150 | 0292720670 | | . . UNION,FLANGE PRE TU 181 (AE 93952) | | 1 |
| 150A | 50499002 | | . . SWIVEL UNION - VFA3W9 (9560177090) POST TU 181 (AE 93952) | | 1 |
| | | | ATTACHING PARTS | | |
| 152 | EN3686050016 | | . . SCREW - VI9005 (9836405016) PRE TU 181 (AE 93952) | | 2 |
| 152A | EN3686050018 | | . . SCREW - VI9005 (9836405018) POST TU 181 (AE 93952) *** | | 2 |
| 160 | 30004937 | | . . COPPER GASKET - VFA3W9 (9560177240) POST ACR (AE 106911) PART OF ITEM 150A | | 1 |
| 180 | 3-12ZA00-921 | | . . GASKET - VF1253 (9560166810) PRE TU 181 (AE 93952) | | 1 |
| 182 | 0292510100 | | . . SHOULDERED WASHER POST TU 181 (AE 93952) | | 1 |
| -182A | 0292510120 | | . . SHOULDERED WASHER POST TU 181 (AE 93952) ALTERNATE ITEM 182 | | 1 |
| 185 | 0292510080 | | . . COVER POST TU 181 (AE 93952) | | 1 |
| 190 | 0292510040 | | . . ANTI-TORQUE RING POST TU 181 (AE 93952) | | 1 |
| 200 | 0292720670 | | . . UNION,FLANGE PRE TU 181 (AE 93952) | | 1 |
| 200A | 50499002 | | . . SWIVEL UNION - VFA3W9 (9560177090) POST TU 181 (AE 93952) | | 1 |
| | | | ATTACHING PARTS | | |
| 202 | EN3686050016 | | . . SCREW - VI9005 (9836405016) PRE TU 181 (AE 93952) | | 2 |
| 202A | EN3686050018 | | . . SCREW - VI9005 (9836405018) POST TU 181 (AE 93952) *** | | 2 |

- ITEM NOT ILLUSTRATED

SAFRAN HELICOPTER ENGINES

ARRIEL 2 C2

MAINTENANCE SPARE PARTS CATALOG

| FIGURE ITEM | PART NUMBER | AIRL. STOCK No. | DESCRIPTION | EFFECT | QTY |
|----------------|----------------|-----------------------|--|--------|-----|
| | | | 1 2 3 4 5 6 7 | | |
| 01 | | | | | |
| 210 | 30004937 | | . . . COPPER GASKET - VFA3W9 (9560177240) POST ACR (AE 106911) PART OF ITEM 200A | | 1 |
| 230 | 3-12ZA00-921 | | . . GASKET - VF1253 (9560166810) PRE TU 181 (AE 93952) | | 1 |
| 232 | 0292510100 | | . . SHOULDERED WASHER POST TU 181 (AE 93952) | | 1 |
| -232A | 0292510120 | | . . SHOULDERED WASHER POST TU 181 (AE 93952) ALTERNATE ITEM 232 | | 1 |
| 235 | 0292510080 | | . . COVER POST TU 181 (AE 93952) | | 1 |
| 240 | 0292510040 | | . . ANTI-TORQUE RING POST TU 181 (AE 93952) | | 1 |
| 250 | 0301000520 | | . . RING,HOISTING | | 2 |
| | | | ATTACHING PARTS | | |
| 252 | EN3686050018 | | . . SCREW - VI9005 (9836405018) | | 4 |
| 254 | 9866205026 | | . . NUT 9866205026 IS THE SAFRAN HE PART NUMBER FOR: VF0111 - 22526-050 VI9005 - EN2906-050 *** | | 4 |
| 270 | 9560165990 | | . PACKING,PREFORMED 9560165990 IS THE SAFRAN HE PART NUMBER FOR: VF0384 - OR10X2-70FFKM151400 NON PROCURABLE PRE TU 170 (AE 87717) | | 1 |
| -270A | 49082243 | | . PACKING,PREFORMED - VF0384 (9560176660) POST TU 170 (AE 87717) PRE TU 181 (AE 93952) | | 1 |
| 280 | 9560165990 | | . PACKING,PREFORMED 9560165990 IS THE SAFRAN HE PART NUMBER FOR: VF0384 - OR10X2-70FFKM151400 NON PROCURABLE PRE TU 170 (AE 87717) | | 1 |
| -280A | 49082243 | | . PACKING,PREFORMED - VF0384 (9560176660) PRE TU 181 (AE 93952) POST TU 170 (AE 87717) | | 1 |
| 290 | 9560165990 | | . PACKING,PREFORMED 9560165990 IS THE SAFRAN HE PART NUMBER FOR: VF0384 - OR10X2-70FFKM151400 NON PROCURABLE PRE TU 170 (AE 87717) | | 1 |
| -290A | 49082243 | | . PACKING,PREFORMED - VF0384 (9560176660) PRE TU 181 (AE 93952) POST TU 170 (AE 87717) | | 1 |
| 300 | 0301020710 | | . FLANGE,UNION | | 1 |
| | | | ATTACHING PARTS | | |
| 302 | 22125BC040018L | | . SCREW - VF0111 (9801041814) | | 2 |

- ITEM NOT ILLUSTRATED

SAFRAN HELICOPTER ENGINES

ARRIEL 2 C2

MAINTENANCE SPARE PARTS CATALOG

| FIGURE ITEM | PART NUMBER | AIRL. STOCK No. | DESCRIPTION | EFFECT | QTY |
|----------------|----------------|-----------------------|--|--------|-----|
| | | | 1 2 3 4 5 6 7 | | |
| 01 | | | | | |
| 304 | 22541N040 | | . NUT - VF0111 (9867100400) *** | | 2 |
| 330 | 9681900573 | | . PACKING,PREFORMED | | 2 |
| 340 | 0301020700 | | . SEAL,SPECIAL | | 1 |
| 350 | 000024460 | | . SCREW | | 1 |
| 360 | 9752004044 | | . SEAL | | 1 |
| 400 | 0292510340 | | . DUCT PRE TU 181 (AE 93952) | | 3 |
| 400A | 0292510030 | | . DUCT POST TU 181 (AE 93952) | | 3 |
| 410 | 0292510200 | | . SEAL | | 3 |
| -410A | 0292510460 | | . SEAL POST ACR (AE 69451) ALTERNATE ITEM 410 | | 3 |
| -450 | 0292377800 | | . DEVICE,IGNITION NON PROCURABLE PRE ACR (AE 104975) | | 2 |
| -450A | - | | . DEVICE,IGNITION NON PROCURABLE POST ACR (AE 104975) | | 1 |
| 460 | SC2036 | | . . IGNITER - VF6840 (9550168760) NON REPAIRABLE NON PROCURABLE PRE ACR (AE 50760) | | 2 |
| -460A | CH34595 | | . . IGNITER - V11583 (9550168770) NON REPAIRABLE POST ACR (AE 50760) | | 2 |
| -460B | SC3536 | | . . IGNITER - VF5496 (9550353600) NON REPAIRABLE POST ACR (AE 124891) ALTERNATE ITEM 460A | | 2 |
| | | | ATTACHING PARTS | | |
| 462 | 22145CM050012E | | . . SCREW - VF0111 (9806051225) | | 4 |
| 464 | 23350CA050 | | . . LOCK - VF0111 (9998050021) *** | | 4 |
| 480 | 0000230850 | | . . SEAL - THICKNESS = 0.6 MM | | AR |
| -480A | | | DELETED | | |
| -480B | | | DELETED | | |
| -482 | 0000230870 | | . . SEAL - THICKNESS = 0.3 MM | | AR |
| 490 | 0000450490 | | . . SPACER - THICKNESS = 1 MM | | AR |
| -490A | | | DELETED | | |
| -492 | 0000450500 | | . . SPACER - THICKNESS = 2 MM POST ACR (AE 71514) | | AR |
| 500 | 0000230850 | | . . SEAL - THICKNESS = 0.6 MM | | AR |
| -500A | | | DELETED | | |
| -500B | | | DELETED | | |
| -502 | 0000230870 | | . . SEAL - THICKNESS = 0.3 MM | | AR |

- ITEM NOT ILLUSTRATED

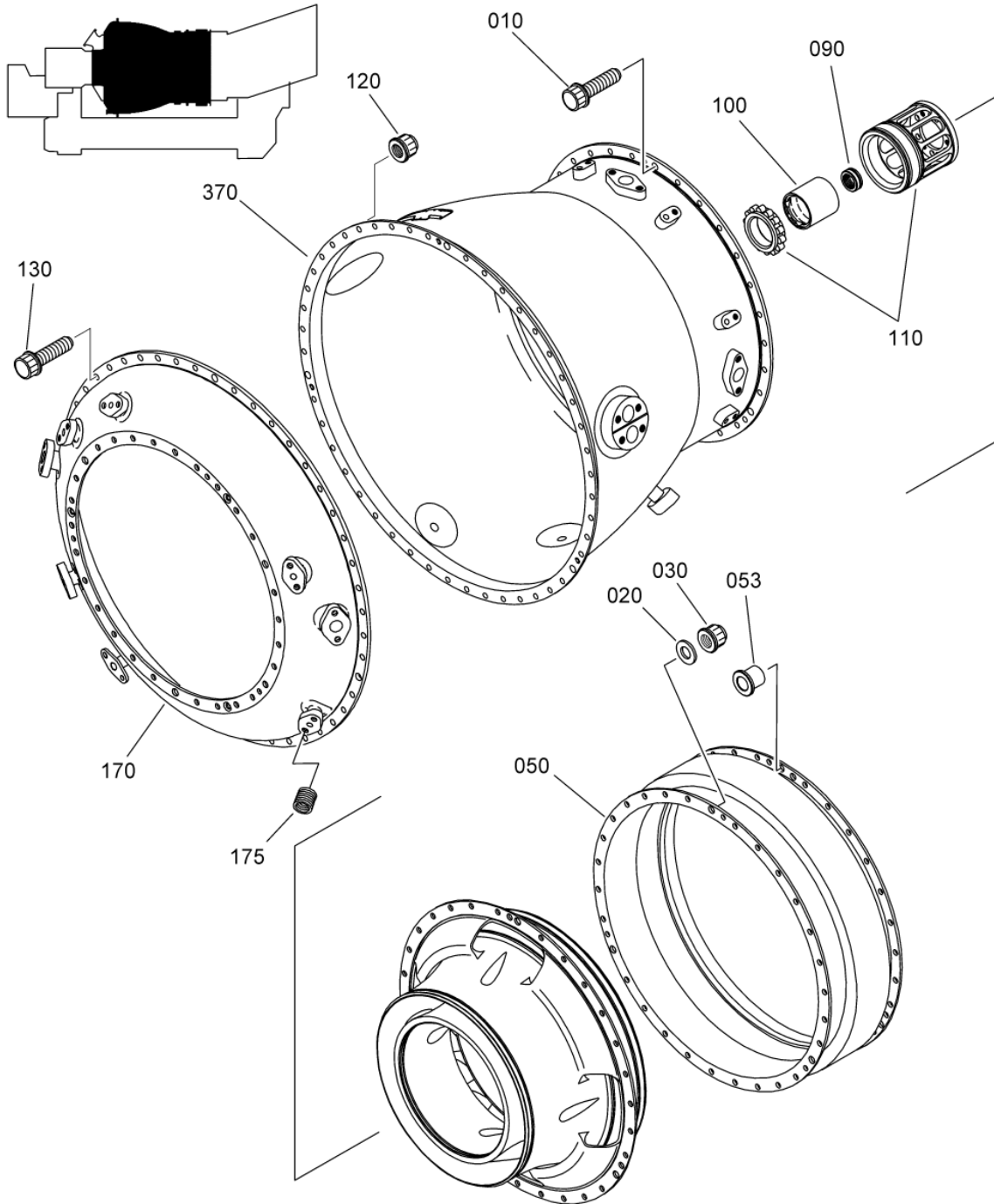
SAFRAN HELICOPTER ENGINES

ARRIEL 2 C2

MAINTENANCE SPARE PARTS CATALOG

| FIGURE ITEM | PART NUMBER | AIRL. STOCK No. | DESCRIPTION | EFFECT | QTY |
|----------------|----------------|-----------------------|---|--------|-----|
| | | | 1 2 3 4 5 6 7 | | |
| 01 | | | | | |
| 550 | 0283317500 | | . . INJECTOR NON REPAIRABLE | | 2 |
| | | | ATTACHING PARTS | | |
| 552 | 22145CM050014E | | . . SCREW - VF0111 (9806051425) | | 4 |
| 554 | 23350CA050 | | . . LOCK - VF0111 (9998050021) *** | | 4 |
| 560 | 0000230850 | | . . SEAL - THICKNESS = 0.6 MM | | 2 |
| -562 | 0000230870 | | . . SEAL - THICKNESS = 0.3 MM POST ACR (AE 104975) | | 2 |
| 570 | 0292300670 | | . . BUSH | | 2 |
| 580 | 0000230850 | | . . SEAL - THICKNESS = 0.6 MM | | AR |
| -580A | | | DELETED | | |
| -580B | | | DELETED | | |
| -582 | 0000230870 | | . . SEAL - THICKNESS = 0.3 MM | | AR |
| 590 | 0000450490 | | . . SPACER - THICKNESS = 1 MM | | AR |
| -590A | | | DELETED | | |
| -592 | 0000450500 | | . . SPACER - THICKNESS = 2 MM POST ACR (AE 71514) | | AR |
| 600 | 0000230850 | | . . SEAL - THICKNESS = 0.6 MM | | AR |
| -600A | | | DELETED | | |
| -600B | | | DELETED | | |
| -602 | 0000230870 | | . . SEAL - THICKNESS = 0.3 MM | | AR |
| 610 | 9945300120 | | . . PLUG POST ACR (AE 101772) PRE ACR (AE 96998) | | 1 |
| | | | ATTACHING PARTS | | |
| 612 | EN3686050014 | | . . SCREW - VI9005 (9836405014) POST ACR (AE 101772) PRE ACR (AE 96998) *** | | 2 |
| 620 | 9945000120 | | . . GASKET,CORRUJOINT POST ACR (AE 101772) PRE ACR (AE 96998) | | 1 |
| -700 | - | | . MODULE,GAS GENERATOR,UNDRESSED NON PROCURABLE PRE TU 181 (AE 93952) | a | 1 |
| -700A | - | | . MODULE,GAS GENERATOR,UNDRESSED NON PROCURABLE POST TU 181 (AE 93952) REFER TO FIG.02 FOR DETAILS | b | 1 |

- ITEM NOT ILLUSTRATED



MODULE, GAS GENERATOR, UNDRESSED
Figure 02

TURBOMECA ARRIEL 2 C2

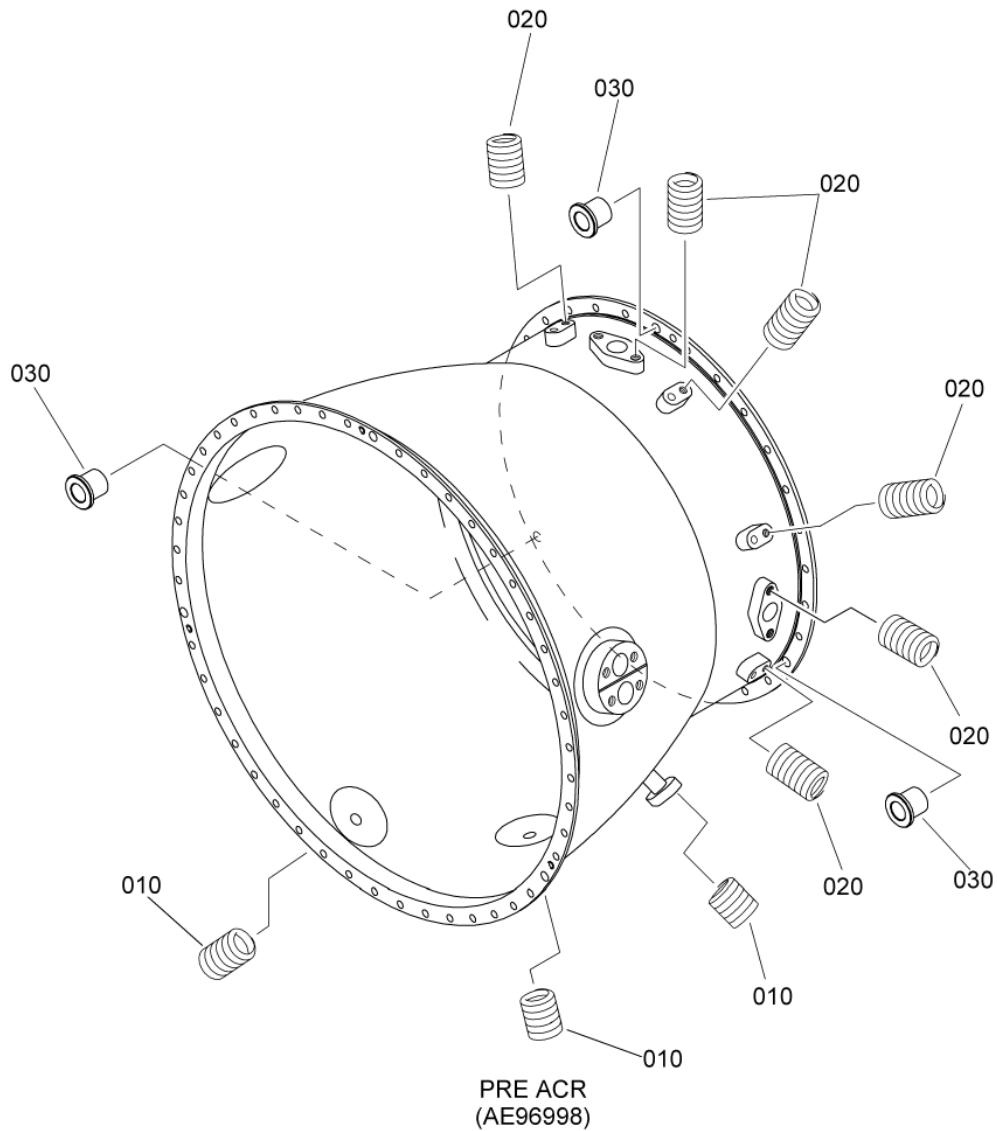
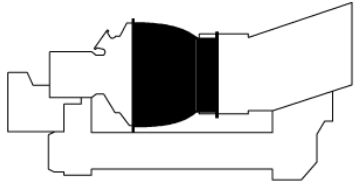
MAINTENANCE SPARE PARTS CATALOG

| FIGURE ITEM | PART NUMBER | AIRL. STOCK No. | DESCRIPTION | EFFECT | QTY |
|----------------|---------------|-----------------------|---|--------|-----|
| | | | 1 2 3 4 5 6 7 | | |
| 02 | | | | | |
| -001 | - | | MODULE,GAS GENERATOR,UNDRESSED NON PROCURABLE PRE TU 181 (AE 93952) | a | RF |
| -001A | - | | MODULE,GAS GENERATOR,UNDRESSED NON PROCURABLE POST TU 181 (AE 93952) REFER TO FIG. 01 ITEM 700 | b | RF |
| 010 | EN3686050018 | | . SCREW - VI9005 (9836405018) | | 28 |
| 020 | 23112CF050 | | . WASHER - VF0111 (9975050024) | | 3 |
| 030 | 9866205026 | | . NUT 9866205026 IS THE TURBOMECA PART NUMBER FOR: VF0111 - 22526-050 VI9005 - EN2906-050 | | 28 |
| 050 | 0292817390 | | . SHIELDING | | 1 |
| 053 | 0292810620 | | . . BUSH | | 3 |
| -070 | - | | . REAR BEARING ASSY,DRESSED NON PROCURABLE REFER TO CHAP.72-43-10 FOR DETAILS | | 1 |
| 090 | 9880400014 | | . NUT | | 1 |
| 100 | 0292260160 | | . SUMP,OIL | | 1 |
| 110 | 9609000493 | | . BEARING 9609000493 IS THE TURBOMECA PART NUMBER FOR: VF0771 - CSNX28/4-05RH6SA20/30 | | 1 |
| 120 | 9866205026 | | . NUT 9866205026 IS THE TURBOMECA PART NUMBER FOR: VF0111 - 22526-050 VI9005 - EN2906-050 | | 3 |
| 130 | EN3686050018 | | . SCREW - VI9005 (9836405018) | | 3 |
| 170 | 0292158290 | | . CASING,INTERMEDIATE | | 1 |
| 175 | EN3542-050063 | | . . THREAD,INSERT - VI9005 (9729105082) | | 14 |
| -300 | - | | . HP NGV-ROTATING ASSY NON PROCURABLE REFER TO CHAP.72-43-30 FOR DETAILS | | 1 |
| 370 | 0292467080 | | . CASING,TURBINE NON PROCURABLE PRE ACR (AE 96998) | | 1 |
| 370A | 0292460010 | | . CASING,TURBINE POST ACR (AE 96998) REFER TO FIG.03 FOR DETAILS | | 1 |

- ITEM NOT ILLUSTRATED

TURBOMECA ARRIEL 2 C2

MAINTENANCE SPARE PARTS CATALOG



CASING, TURBINE
Figure 03

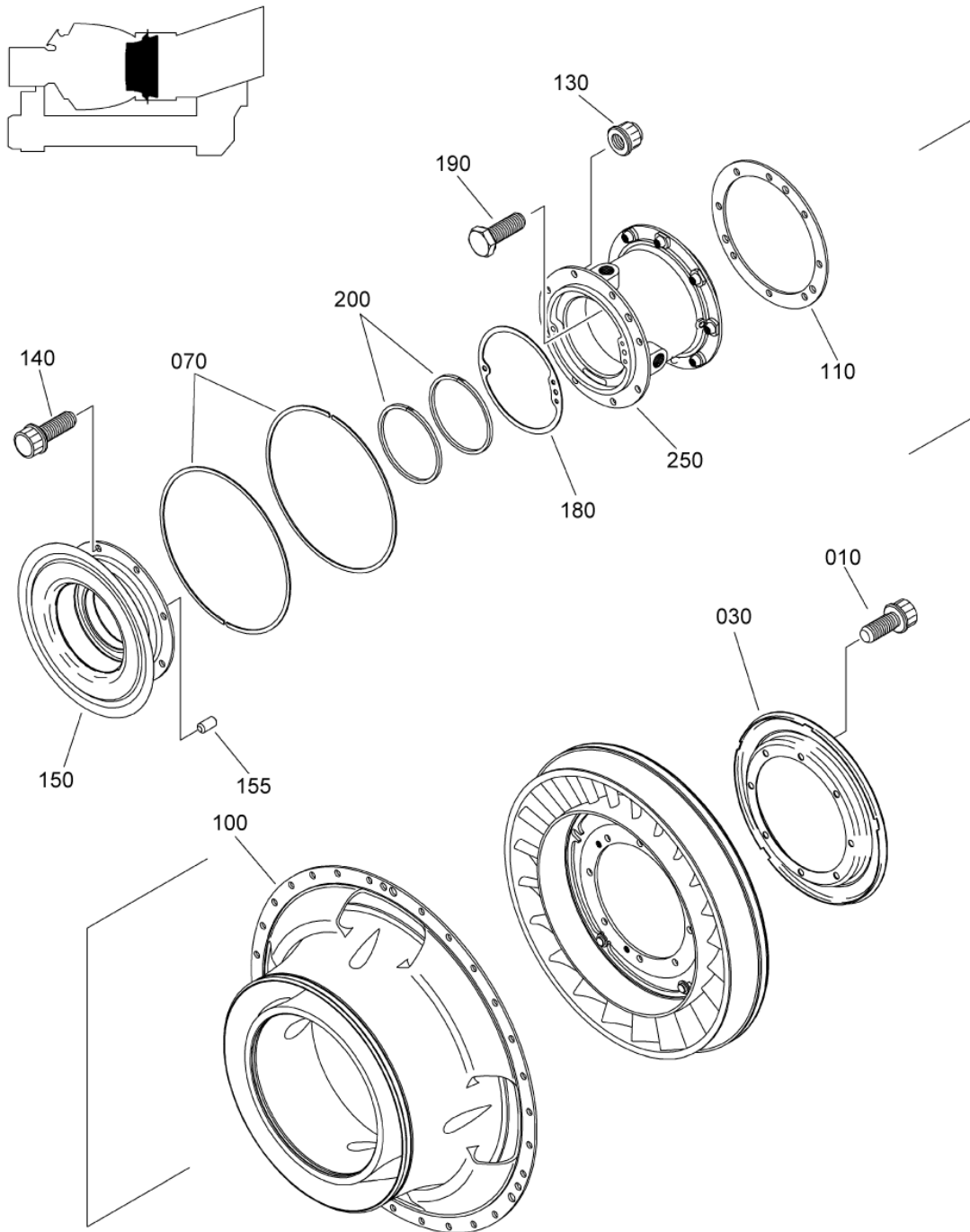
SAFRAN HELICOPTER ENGINES

ARRIEL 2 C2

MAINTENANCE SPARE PARTS CATALOG

| FIGURE ITEM | PART NUMBER | AIRL. STOCK No. | DESCRIPTION | EFFECT | QTY |
|----------------|---------------|-----------------------|--|--------|-----|
| | | | 1 2 3 4 5 6 7 | | |
| 03 -001 | 0292467080 | | CASING,TURBINE NON PROCURABLE PRE ACR (AE 96998) | a | RF |
| -001A | 0292460010 | | CASING,TURBINE POST ACR (AE 96998) REFER TO FIG. 02 ITEM 370 | b | RF |
| 010 | EN3542-050063 | | . THREAD,INSERT - V19005 (9729105082) PRE ACR (AE 96998) | a | 6 |
| -010A | EN3542-050063 | | . THREAD,INSERT - V19005 (9729105082) POST ACR (AE 96998) | b | 4 |
| 020 | EN3542-050075 | | . THREAD,INSERT - V19005 (9729105083) | | 14 |
| 030 | 0292460060 | | . BUSH | | 3 |

- ITEM NOT ILLUSTRATED



REAR BEARING ASSY,DRESSED
Figure 01

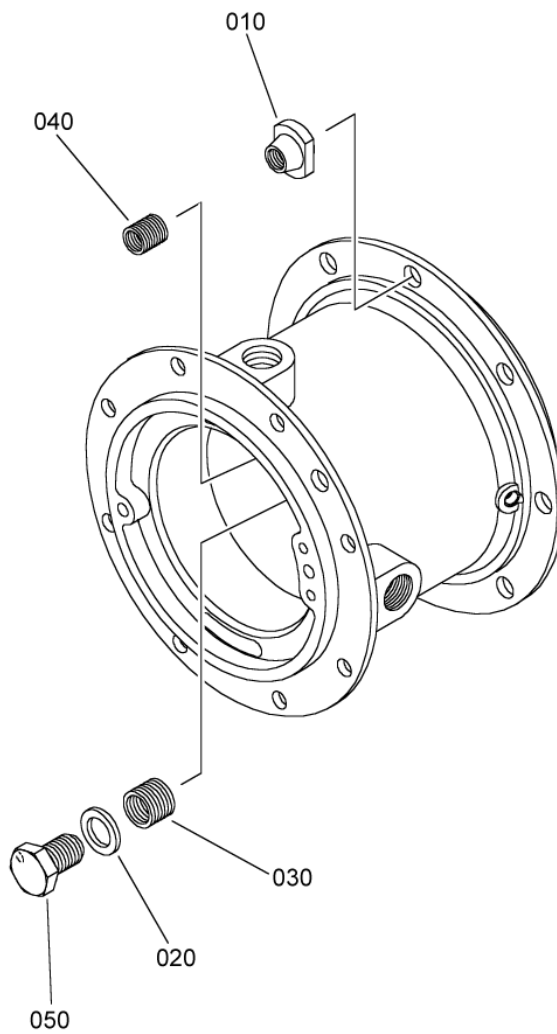
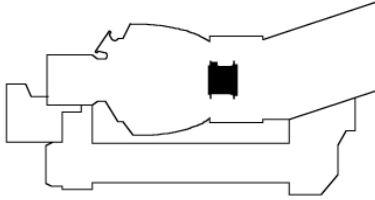
SAFRAN HELICOPTER ENGINES

ARRIEL 2 C2

MAINTENANCE SPARE PARTS CATALOG

| FIGURE ITEM | PART NUMBER | AIRL. STOCK No. | DESCRIPTION | EFFECT | QTY |
|----------------|---------------|-----------------------|--|--------|-----|
| | | | 1 2 3 4 5 6 7 | | |
| 01 | | | | | |
| -001 | - | | REAR BEARING ASSY,DRESSED NON PROCURABLE REFER TO CHAP. 72-43-00 FIG.02 ITEM 070 | | RF |
| 010 | EN3686050020 | | . SCREW - VI9005 (9836405020) | | 8 |
| 030 | 0292517060 | | . DEFLECTOR | | 1 |
| 070 | A17761-126-2 | | . SEGMENT,SEALING - VK1209 (9560166610) | | 2 |
| 100 | 0292517170 | | . SUPPORT,REAR BEARING | | 1 |
| 110 | 0292510360 | | . SPACER | | 1 |
| 130 | 9866205026 | | . NUT 9866205026 IS THE SAFRAN HELICOPTER ENGINES PART NUMBER FOR: | | 8 |
| | | | VF0111 - 22526-050 VI9005 - EN2906-050 | | |
| 140 | EN3686050014 | | . SCREW - VI9005 (9836405014) | | 8 |
| 150 | 0292517140 | | . FLANGE,ASSY | | 1 |
| 155 | 9757030600 | | . . PIN,CENTERING | | 2 |
| 180 | 0292510130 | | . SEAL,RING | | 1 |
| 190 | EN3613-050012 | | . SCREW - VI9005 (9836505012) | | 6 |
| 200 | 9560158810 | | . SEGMENT 9560158810 IS THE SAFRAN HELICOPTER ENGINES PART NUMBER FOR: | | 2 |
| | | | VF2569 - R-62X2,5X2,5-SV-KI-PO | | |
| -200A | 62X2,5X2,5CB | | . SEGMENT - V0051T (9560158720) ALTERNATE ITEM 200 | | 2 |
| 250 | 0292517110 | | . HOUSING,REAR BEARING REFER TO FIG.02 FOR DETAILS | | 1 |

- ITEM NOT ILLUSTRATED



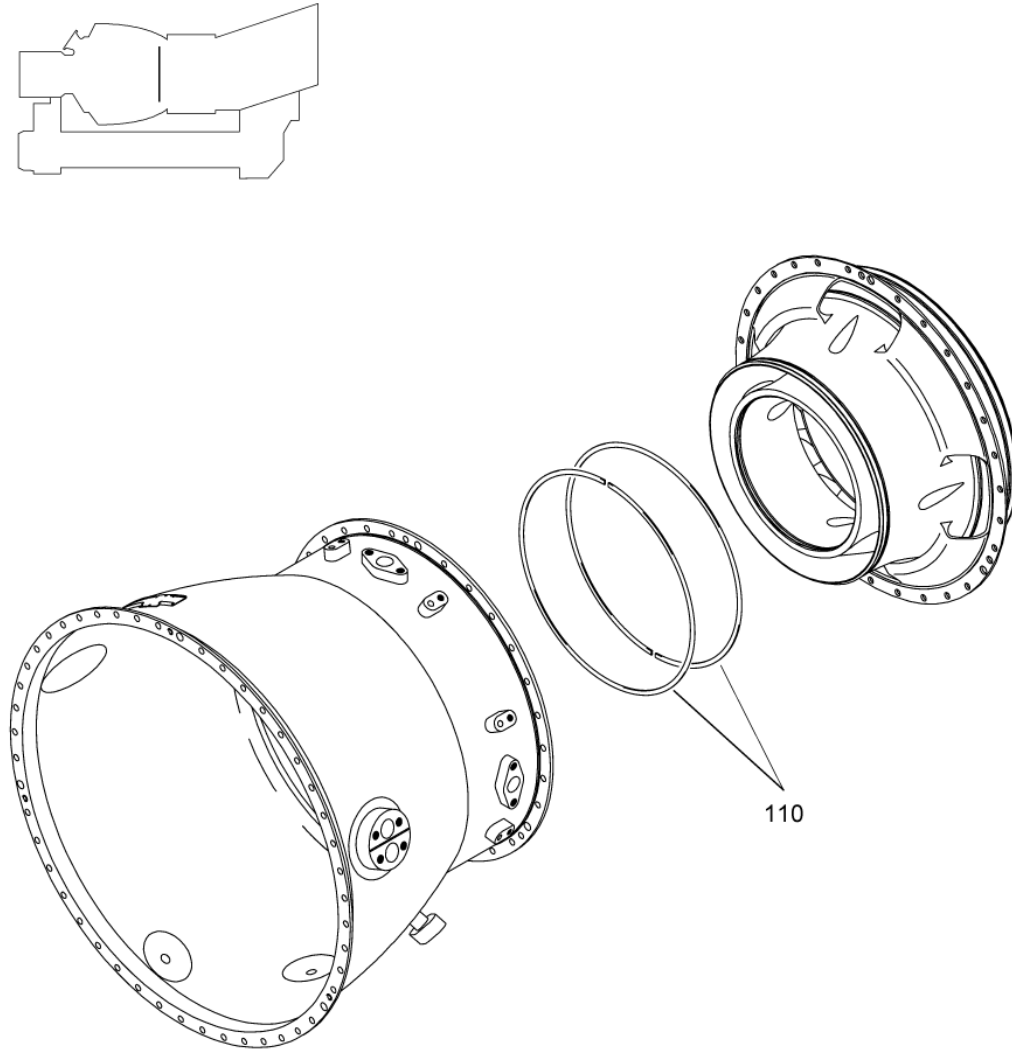
HOUSING,REAR BEARING
Figure 02

TURBOMECA ARRIEL 2 C2

MAINTENANCE SPARE PARTS CATALOG

| FIGURE ITEM | PART NUMBER | AIRL. STOCK No. | DESCRIPTION | EFFECT | QTY |
|----------------|---------------|-----------------------|---|--------|-----|
| | | | 1 2 3 4 5 6 7 | | |
| 02 | | | | | |
| -001 | 0292517110 | | HOUSING,REAR BEARING REFER TO FIG. 01 ITEM 250 | | RF |
| 010 | EN2910-050 | | . ANCHOR NUT - VI9005 (9867600050) | | 8 |
| 020 | 9752100070 | | . SEAL | | 1 |
| 030 | 9729107101 | | . THREAD,INSERT | | 1 |
| 040 | EN2944-050075 | | . THREAD,INSERT - VI9005 (9728050803) | | 6 |
| 050 | 0292510160 | | . JET | | 1 |

- ITEM NOT ILLUSTRATED



HP NGV-ROTATING ASSY
Figure 01

TURBOMECA ARRIEL 2 C2

MAINTENANCE SPARE PARTS CATALOG

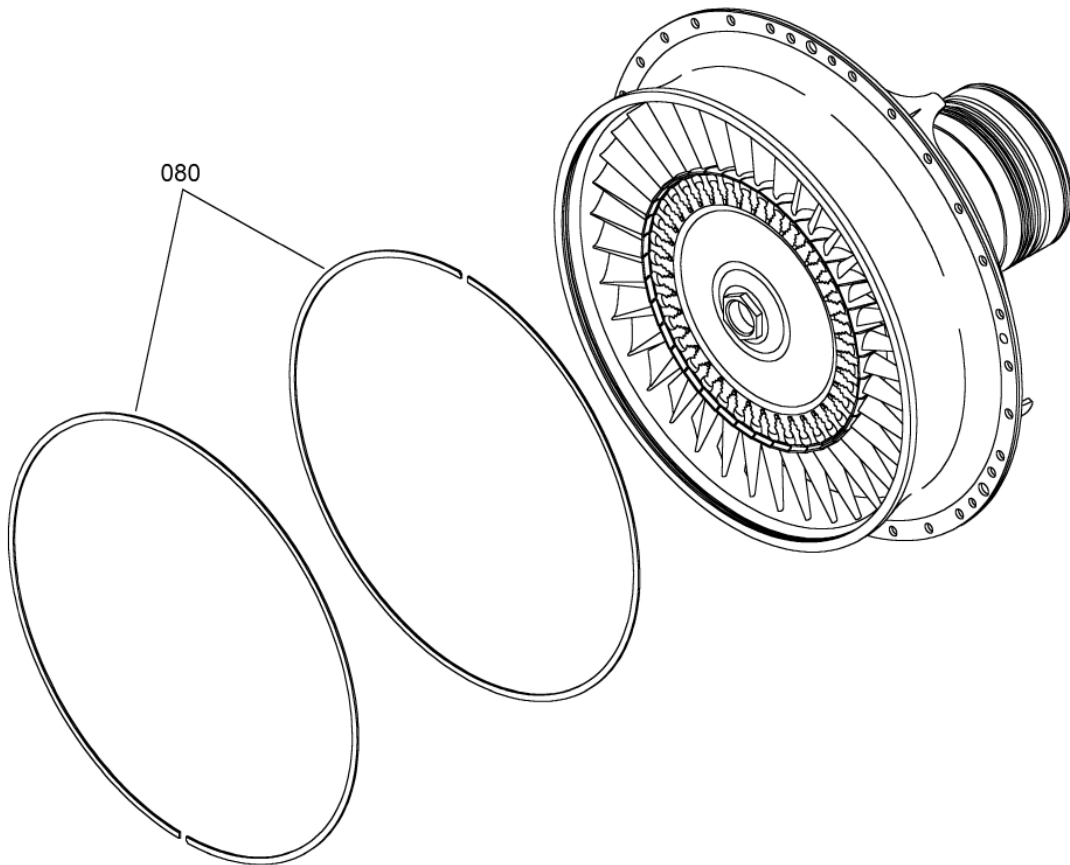
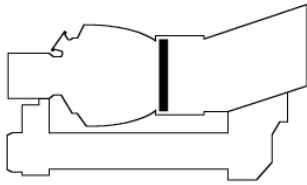
| FIGURE ITEM | PART NUMBER | AIRL. STOCK No. | DESCRIPTION | EFFECT | QTY |
|----------------|--------------|-----------------------|---|--------|-----|
| | | | 1 2 3 4 5 6 7 | | |
| 01 -001 | - | | HP NGV-ROTATING ASSY NON PROCURABLE REFER TO CHAP. 72-43-00 FIG.02 ITEM 300 | | RF |
| 110 | A17761-186-1 | | . SEGMENT - VK1209 (9560158450) | | 2 |

- ITEM NOT ILLUSTRATED

DETAILED PART LIST

TURBINE

72-50-00



MODULE, POWER TURBINE
Figure 01

TURBOMECA ARRIEL 2 C2

MAINTENANCE SPARE PARTS CATALOG

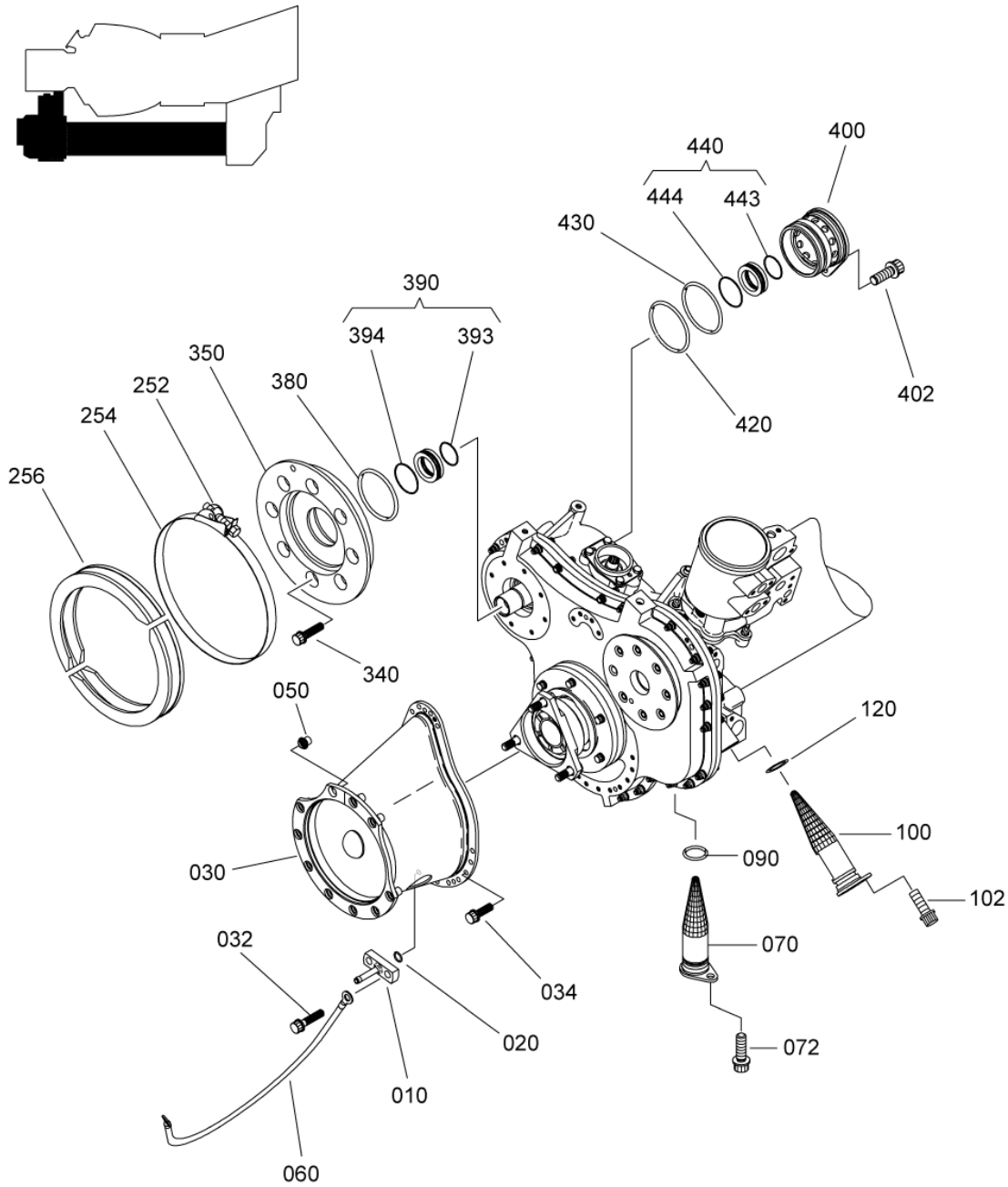
| FIGURE ITEM | PART NUMBER | AIRL. STOCK No. | DESCRIPTION | EFFECT | QTY |
|----------------|--------------|-----------------------|---|--------|-----|
| | | | 1 2 3 4 5 6 7 | | |
| 01 -001 | 70BM041750 | | MODULE,POWER TURBINE REPAIRABLE REFER TO CHAP. 72-00-00 FIG.01 ITEM 050 | | RF |
| 080 | A17761-241-2 | | . SEGMENT - VK1209 (9560163940) | | 2 |

- ITEM NOT ILLUSTRATED

DETAILED PART LIST

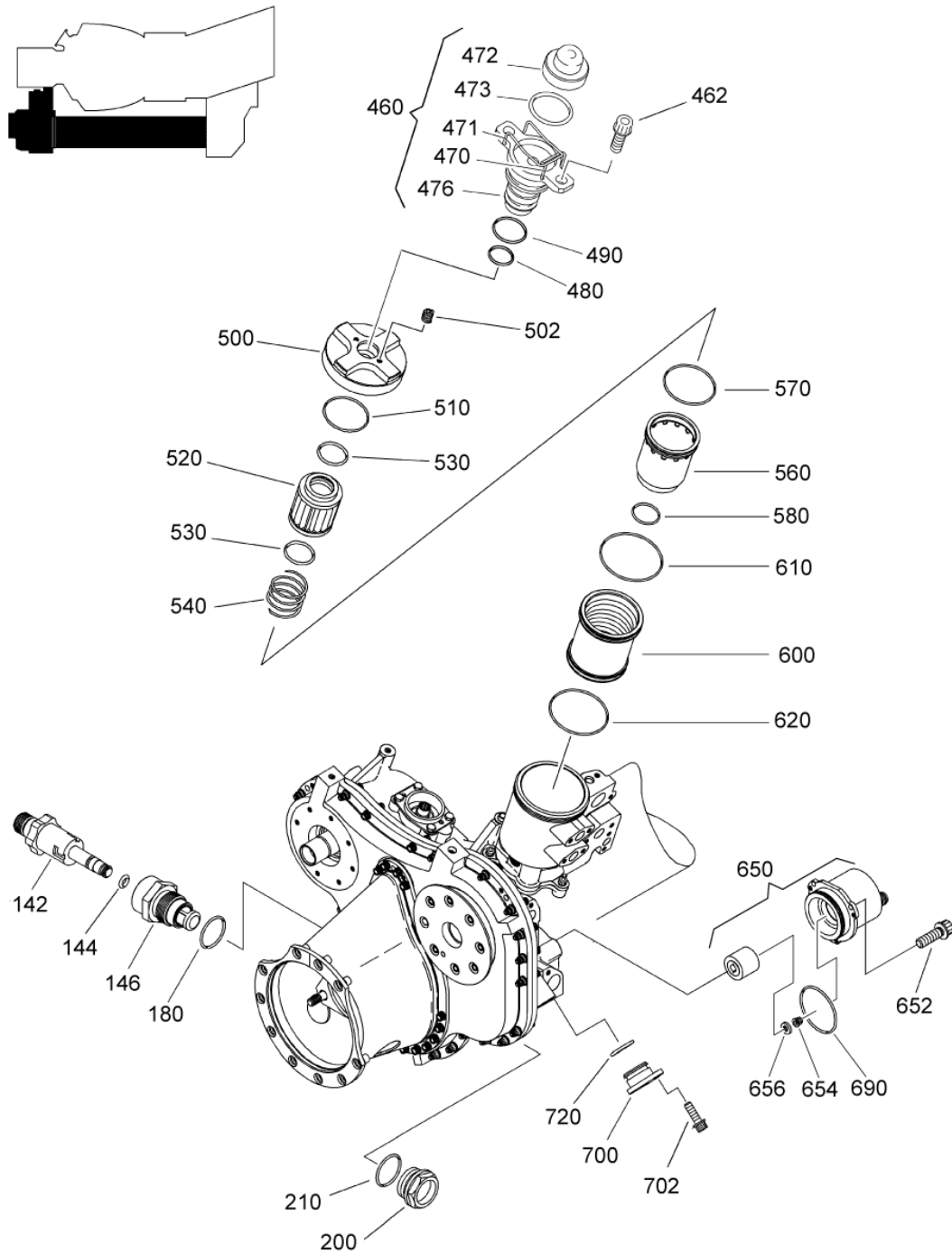
ACCESSORY DRIVES

72-60-00



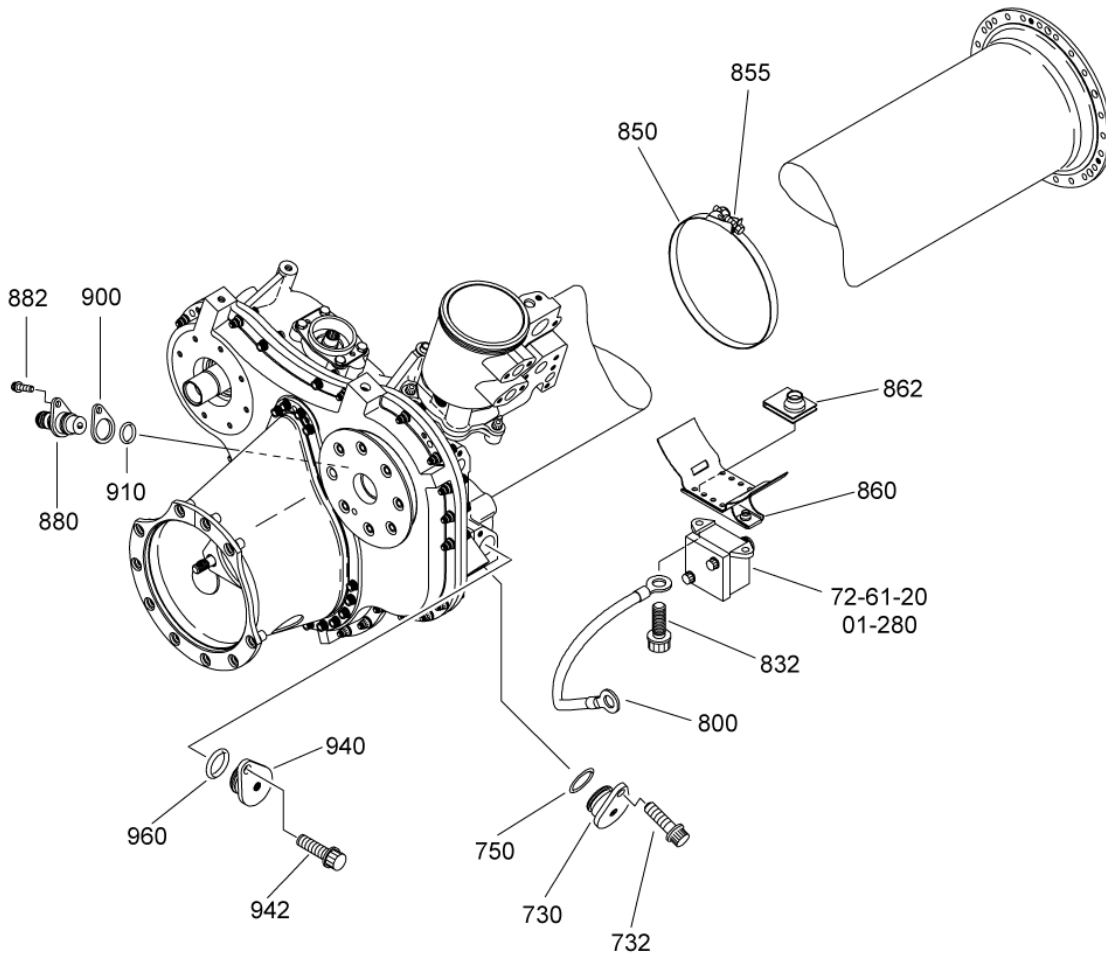
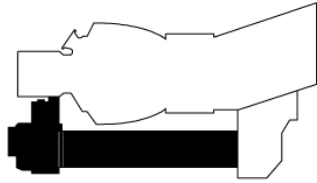
MODULE,ACCESSORY GEARBOX
Figure 01 (Sheet 1/3)

PAGE LEFT BLANK INTENTIONALLY



MODULE,ACCESSORY GEARBOX
Figure 01 (Sheet 2/3)

PAGE LEFT BLANK INTENTIONALLY



MODULE,ACCESSORY GEARBOX
Figure 01 (Sheet 3/3)

SAFRAN HELICOPTER ENGINES

ARRIEL 2 C2

MAINTENANCE SPARE PARTS CATALOG

| FIGURE ITEM | PART NUMBER | AIRL. STOCK No. | DESCRIPTION | EFFECT | QTY |
|----------------|--------------|-----------------------|--|--------|-----|
| | | | 1 2 3 4 5 6 7 | | |
| 01 | | | | | |
| -001 | 70BM011900 | | MODULE,ACCESSORY GEARBOX REPAIRABLE | a | RF |
| -001A | 70BM011950 | | PRE TU219 (AE 119947) MODULE,ACCESSORY GEARBOX REPAIRABLE | b | RF |
| | | | POST TU219 (AE 119947) REFER TO CHAP. 72-00-00 FIG.01 ITEM 020 | | |
| 010 | 0301020270 | | . FLANGE,DRAINING | | 1 |
| 020 | 9681500504 | | . PACKING,PREFORMED | | 1 |
| 030 | 0292117300 | | . SUPPORT,FRONT | | 1 |
| | | | ATTACHING PARTS | | |
| 032 | EN3686050022 | | . SCREW - VI9005 (9836405022) | | 2 |
| 034 | EN3686050016 | | . SCREW - VI9005 (9836405016) *** | | 17 |
| 050 | EN3014-070 | | . . NUT - VI9005 (9867400070) | | 10 |
| 060 | 0084117120 | | . BONDING BRAID | | 1 |
| 070 | 0292107650 | | . STRAINER | | 1 |
| | | | ATTACHING PARTS | | |
| 072 | EN3686050014 | | . SCREW - VI9005 (9836405014) *** | | 1 |
| 090 | 9682001372 | | . PACKING,PREFORMED | | 1 |
| 100 | 0292127140 | | . STRAINER | | 1 |
| | | | ATTACHING PARTS | | |
| 102 | EN3686050014 | | . SCREW - VI9005 (9836405014) *** | | 1 |
| 120 | 9682001372 | | . PACKING,PREFORMED | | 1 |
| -140 | BM1026 | | . MAGNETIC PLUG,ELECTRICAL - VFA3W9 (9550177210) NON REPAIRABLE | | 1 |
| 142 | BM1026100 | | . . HEAD,MAGNETIC - VFA3W9 (9520011649) | | 1 |
| 144 | 46012A00600 | | . . PACKING,PREFORMED - VF0111 (9794410060) | | 1 |
| 146 | BM1026200 | | . . RECEPTACLE - VFA3W9 (9520011648) | | 1 |
| 180 | 9794190253 | | . PACKING,PREFORMED | | 1 |
| 200 | 9892100070 | | . PLUG | | 1 |
| 210 | 9794190253 | | . PACKING,PREFORMED | | 1 |
| -250 | 0268987150 | | . COLLAR ASSY | | 1 |
| 252 | 23350CA050 | | . . LOCK - VF0111 (9998050021) | | 1 |
| 254 | 9560169680 | | . . COLLAR - VF0215 (9560169680) | | 1 |
| 256 | 0268980110 | | . . HALF COLLAR | | 2 |
| 340 | EN3686050020 | | . SCREW - VI9005 (9836405020) | | 8 |
| 350 | 0292102010 | | . ADAPTOR,DYNASTART | | 1 |
| 380 | 9682004004 | | . PACKING,PREFORMED | | 1 |
| 390 | 71075-1 | | . SEAL ASSY,MAGNETIC - V04171 (9560115450) | | 1 |
| 393 | 021-517 | | . . PACKING,PREFORMED - V04171 (9560116010) | | 1 |
| 394 | 026-517 | | . . PACKING,PREFORMED - V04171 (9560116020) | | 1 |
| 400 | 0292121340 | | . COVER,BREATHER | | 1 |

- ITEM NOT ILLUSTRATED

SAFRAN HELICOPTER ENGINES

ARRIEL 2 C2

MAINTENANCE SPARE PARTS CATALOG

| FIGURE ITEM | PART NUMBER | AIRL. STOCK No. | DESCRIPTION | EFFECT | QTY |
|----------------|-----------------|-----------------------|--|--------|-----|
| | | | 1 2 3 4 5 6 7 | | |
| 01 | | | ATTACHING PARTS | | |
| 402 | EN3686050014 | | . SCREW - VI9005 (9836405014) *** | | 1 |
| 420 | 46012A03550 | | . PACKING,PREFORMED - VF0111 (9794410355) | | 1 |
| 430 | 46012A03650 | | . PACKING,PREFORMED - VF0111 (9794410365) | | 1 |
| 440 | 71075-1 | | . SEAL ASSY,MAGNETIC - V04171 (9560115450) | | 1 |
| 443 | 021-517 | | . . PACKING,PREFORMED - V04171 (9560116010) | | 1 |
| 444 | 026-517 | | . . PACKING,PREFORMED - V04171 (9560116020) | | 1 |
| 460 | JA00875A | | . INDICATOR,VISUAL,PRE-BLOCKAGE,FILTER - VF0559 (9560168040) NON REPAIRABLE | | 1 |
| 462 | EN3686050012 | | ATTACHING PARTS . SCREW - VI9005 (9836405012) *** | | 2 |
| 470 | 07550200106559A | | . . HOOK - VF0559 (9520011819) | | 1 |
| 471 | 07550200105559A | | . . RING,RETAINING - VF0559 (9520011820) | | 1 |
| 472 | PAO 1583 A | | . . COVER,TRANSPARENT - VF0559 (9520011817) | | 1 |
| 473 | 9520011818 | | . . PACKING,PREFORMED 9520011818 IS THE SAFRAN HE PART NUMBER FOR: VF0559 - AJ-0187701780EAO | | 1 |
| -473A | 46012A01800 | | . . PACKING,PREFORMED - VF0111 (9794410180) ALTERNATE ITEM 473 | | 1 |
| 476 | JAO2055A | | . . INDICATOR,FILTER PRE-BLOCKAGE - VF0559 (9520011825) | | 1 |
| 480 | 46012A01250 | | . PACKING,PREFORMED - VF0111 (9794410125) | | 1 |
| 490 | 46012A01800 | | . PACKING,PREFORMED - VF0111 (9794410180) | | 1 |
| 500 | 0292127460 | | . COVER,OIL FILTER | | 1 |
| 502 | EN2944-050075 | | . . THREAD,INSERT - VI9005 (9728050803) | | 2 |
| 510 | 46012B04000 | | . PACKING,PREFORMED - VF0111 (9794420400) | | 1 |
| 520 | CA00525A | | . ELEMENT,FILTERING - VF0559 (9560166860) NON REPAIRABLE | | 1 |
| 530 | 46012C02500 | | . PACKING,PREFORMED - VF0111 (9794430250) | | 2 |
| 540 | 0292120800 | | . SPRING | | 1 |
| 560 | 0292120770 | | . DISTRIBUTOR,OIL | | 1 |
| 570 | 46012B04870 | | . PACKING,PREFORMED - VF0111 (9794420487) | | 1 |
| 580 | 46012B02360 | | . PACKING,PREFORMED - VF0111 (9794420236) | | 1 |
| 600 | 0292120950 | | . EXCHANGER | | 1 |
| 610 | 46012B05800 | | . PACKING,PREFORMED - VF0111 (9794420580) | | 1 |
| 620 | 46012B05600 | | . PACKING,PREFORMED - VF0111 (9794420560) | | 1 |
| 650 | 9296-1 | | . ALTERNATOR - VF7926 (9550171410) NON REPAIRABLE | | 1 |
| -650A | 9296-2 | | . ALTERNATOR - VF7926 (9550002100) NON REPAIRABLE POST ACR (AE 64613) ALTERNATE ITEM 650 | | 1 |

- ITEM NOT ILLUSTRATED

SAFRAN HELICOPTER ENGINES

ARRIEL 2 C2

MAINTENANCE SPARE PARTS CATALOG

| FIGURE ITEM | PART NUMBER | AIRL. STOCK No. | DESCRIPTION | EFFECT | QTY |
|----------------|--------------|-----------------------|--|--------|-----|
| | | | 1 2 3 4 5 6 7 | | |
| 01 -650B | 93661-1 | | . ALTERNATOR - V02101 (9421003500) NON REPAIRABLE POST ACR (AE 64613) ALTERNATE ITEM 650 ATTACHING PARTS | | 1 |
| 652 | EN3686050016 | | . SCREW - VI9005 (9836405016) | | 3 |
| 654 | EN 2907-050 | | . NUT - VI9005 (9866205025) | | 1 |
| 656 | 0000411870 | | . WASHER *** | | 1 |
| 690 | 46012A05000 | | . PACKING,PREFORMED - VF0111 (9794410500) | | 1 |
| 700 | 0319140620 | | . PLUG ATTACHING PARTS | | 1 |
| 702 | EN3686050014 | | . SCREW - VI9005 (9836405014) *** | | 1 |
| 720 | 46012A01400 | | . PACKING,PREFORMED - VF0111 (9794410140) | | 1 |
| 730 | 0319140620 | | . PLUG ATTACHING PARTS | | 1 |
| 732 | EN3686050014 | | . SCREW - VI9005 (9836405014) *** | | 1 |
| 750 | 46012A01400 | | . PACKING,PREFORMED - VF0111 (9794410140) | | 1 |
| 800 | 0294747000 | | . BONDING BRAID | | 1 |
| 832 | EN3686050014 | | . SCREW - VI9005 (9836405014) | | 2 |
| 850 | 8TX200BS | | . CLAMP,COLLAR - VF0215 (9560130220) | | 1 |
| 855 | 23350CA050 | | . LOCK - VF0111 (9998050021) | | 1 |
| 860 | 0292767020 | | . SUPPORT | | 1 |
| 862 | EN3240-050 | | . NUT - VI9005 (9867700050) | | 2 |
| 880 | 1604-300 | | . SENSOR,SPEED - VF1976 (9550177390) NON REPAIRABLE NON PROCURABLE PRE ACR (AE 50610) PRE TU219 (AE 119947) | | 1 |
| -880A | 1604300-01 | | . SENSOR,SPEED - VF1976 (9550179190) NON REPAIRABLE NON PROCURABLE POST ACR (AE 50610) PRE TU219 (AE 119947) | | 1 |
| -880B | VIT7100040 | | . SENSOR,SPEED - VF6840 (9550175810) NON REPAIRABLE ATTACHING PARTS | | 1 |
| 882 | EN3686050014 | | . SCREW - VI9005 (9836405014) *** | | 1 |
| 900 | 28460 | | . SHIM,PEEL - VF0183 (9560167230) | | 1 |
| 910 | 46012A01400 | | . PACKING,PREFORMED - VF0111 (9794410140) | | 1 |
| 940 | 0319140620 | | . PLUG | | 1 |

- ITEM NOT ILLUSTRATED

SAFRAN HELICOPTER ENGINES

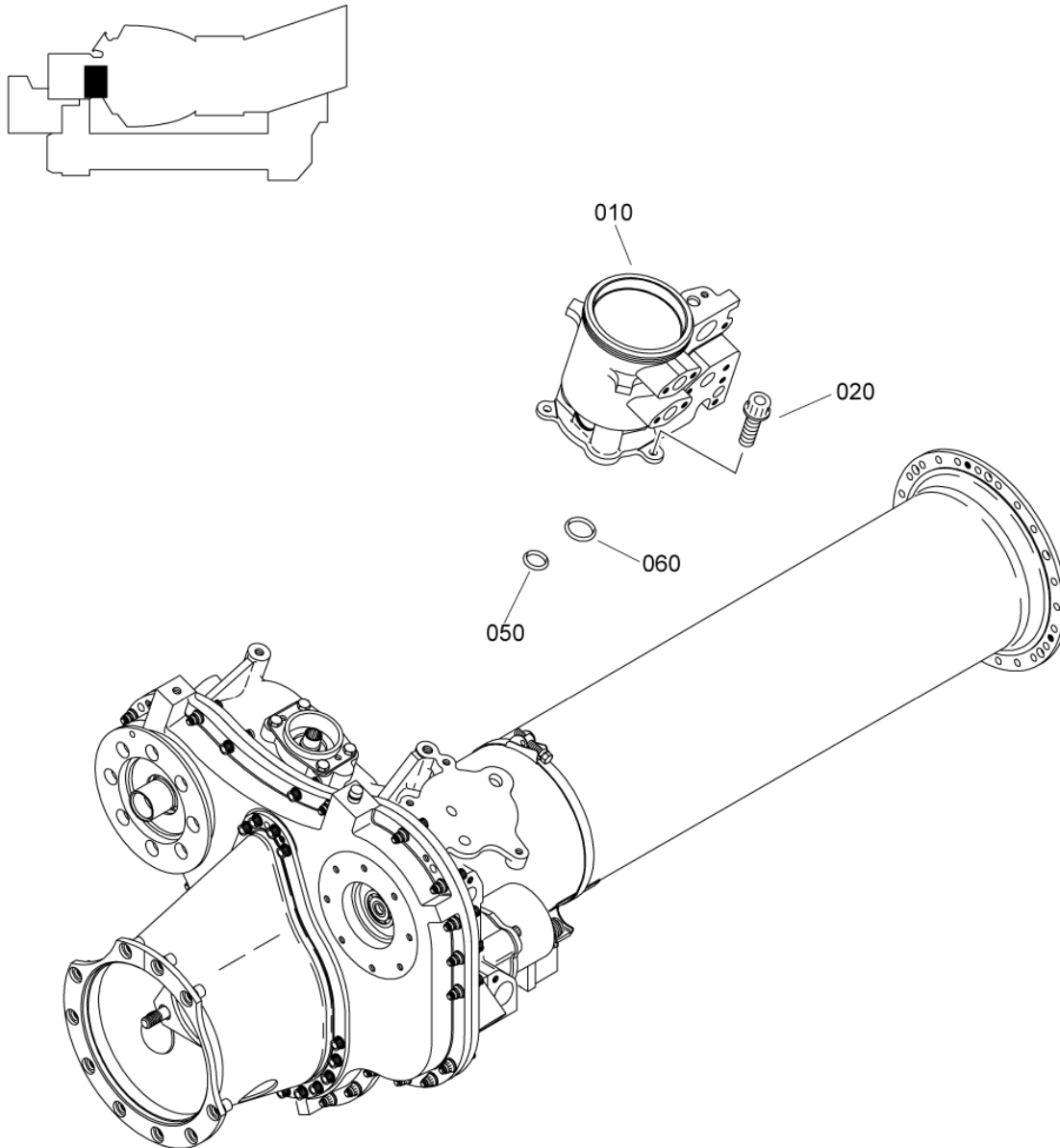
ARRIEL 2 C2

MAINTENANCE SPARE PARTS CATALOG

| FIGURE ITEM | PART NUMBER | AIRL. STOCK No. | DESCRIPTION | EFFECT | QTY |
|----------------|--------------|-----------------------|--|--------|-----|
| | | | 1 2 3 4 5 6 7 | | |
| 01 | | | | | |
| 942 | EN3686050014 | | ATTACHING PARTS . SCREW - V19005 (9836405014) *** | | 1 |
| 960 | 46012A01400 | | . PACKING,PREFORMED - VF0111 (9794410140) | | 1 |
| -990 | - | | . MODULE,ACCES. GEARBOX,UNDRESSED NON PROCURABLE REFER TO FIG.02 FOR DETAILS | | 1 |

- ITEM NOT ILLUSTRATED

PAGE LEFT BLANK INTENTIONALLY



MODULE,ACCES. GEARBOX,UNDRESSED
Figure 02

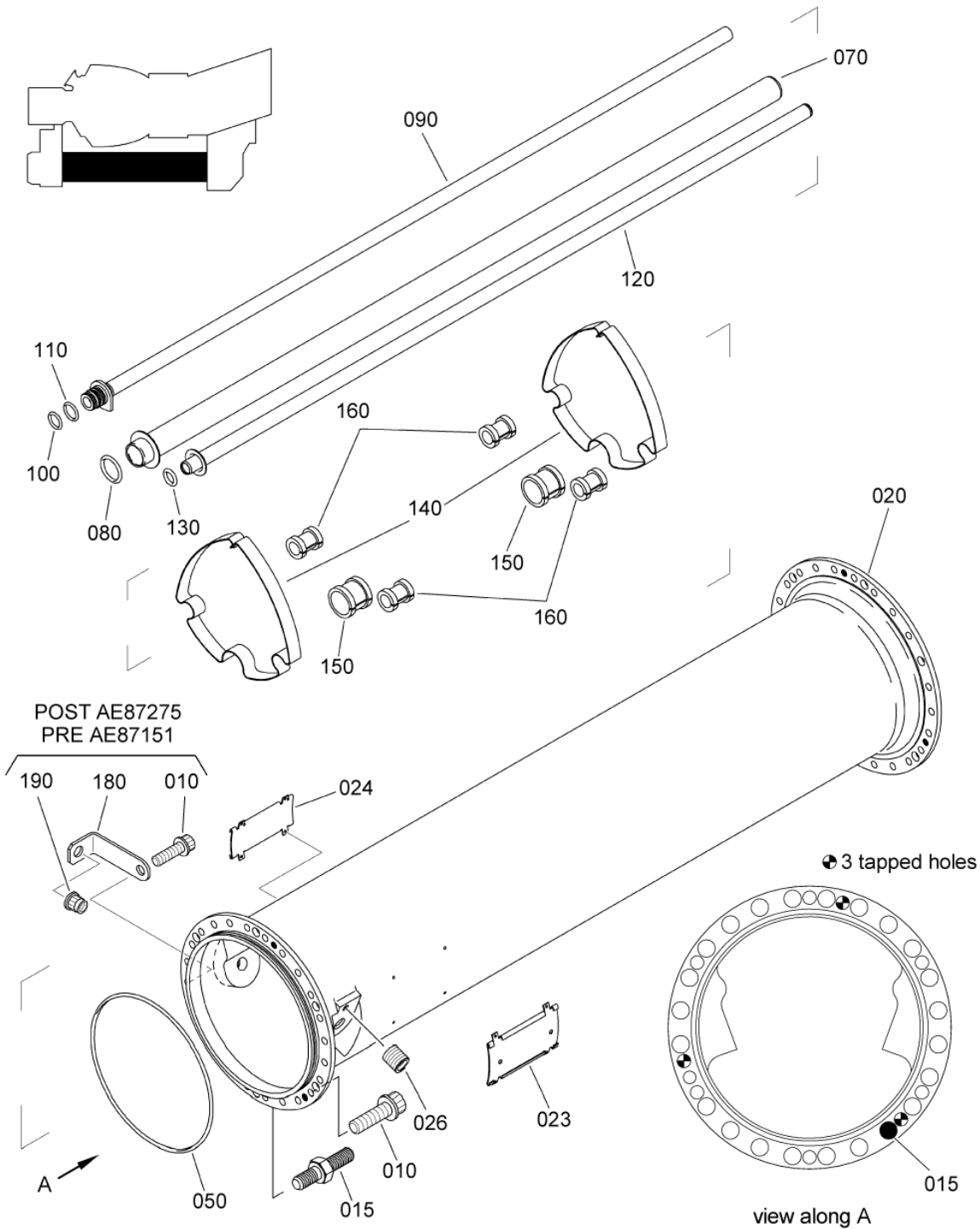
SAFRAN HELICOPTER ENGINES

ARRIEL 2 C2

MAINTENANCE SPARE PARTS CATALOG

| FIGURE ITEM | PART NUMBER | AIRL. STOCK No. | DESCRIPTION | EFFECT | QTY |
|----------------|--------------|-----------------------|--|--------|-----|
| | | | 1 2 3 4 5 6 7 | | |
| 02 | | | | | |
| -001 | - | | MODULE,ACCES. GEARBOX,UNDRESSED NON PROCURABLE REFER TO FIG. 01 ITEM 990 | | RF |
| 010 | 0292127890 | | . BASE PLATE ASSY,FILTER REFER TO CHAP.72-61-40 FOR DETAILS | | 1 |
| 020 | EN3686050016 | | ATTACHING PARTS . SCREW - VI9005 (9836405016) *** | | 3 |
| 050 | 46012A01400 | | . PACKING,PREFORMED - VF0111 (9794410140) | | 1 |
| 060 | 46012A01800 | | . PACKING,PREFORMED - VF0111 (9794410180) | | 1 |
| -150 | - | | . INST.,POWER SHAFT NON PROCURABLE REFER TO CHAP.72-61-20 FOR DETAILS | | 1 |
| -200 | - | | . INST.,TUBE,JUNCTION NON PROCURABLE REFER TO CHAP.72-61-10 FOR DETAILS | | 1 |
| -250 | - | | . INST.,GEARS NON PROCURABLE REFER TO CHAP.72-61-30 FOR DETAILS | | 1 |
| -300 | 0292127720 | | . CASINGS,ASSEMBLED NON PROCURABLE PRE ACR (AE 87151) POST TU194 (AE 103512) BECOMES ITEM 300C | | 1 |
| -300A | 0292121490 | | . CASINGS,ASSEMBLED NON PROCURABLE POST ACR (AE 87151) PRE TU194 (AE 103512) | | 1 |
| -300B | 0292121530 | | . CASINGS,ASSEMBLED NON PROCURABLE POST TU194 (AE 103512) | | 1 |
| -300C | 729212772A | | . CASINGS,ASSEMBLED NON PROCURABLE POST TU194 (AE 103512) RETROFIT ITEM 300 REFER TO CHAP.72-61-50 FOR DETAILS | | 1 |

- ITEM NOT ILLUSTRATED



INST.,TUBE,JUNCTION
Figure 01

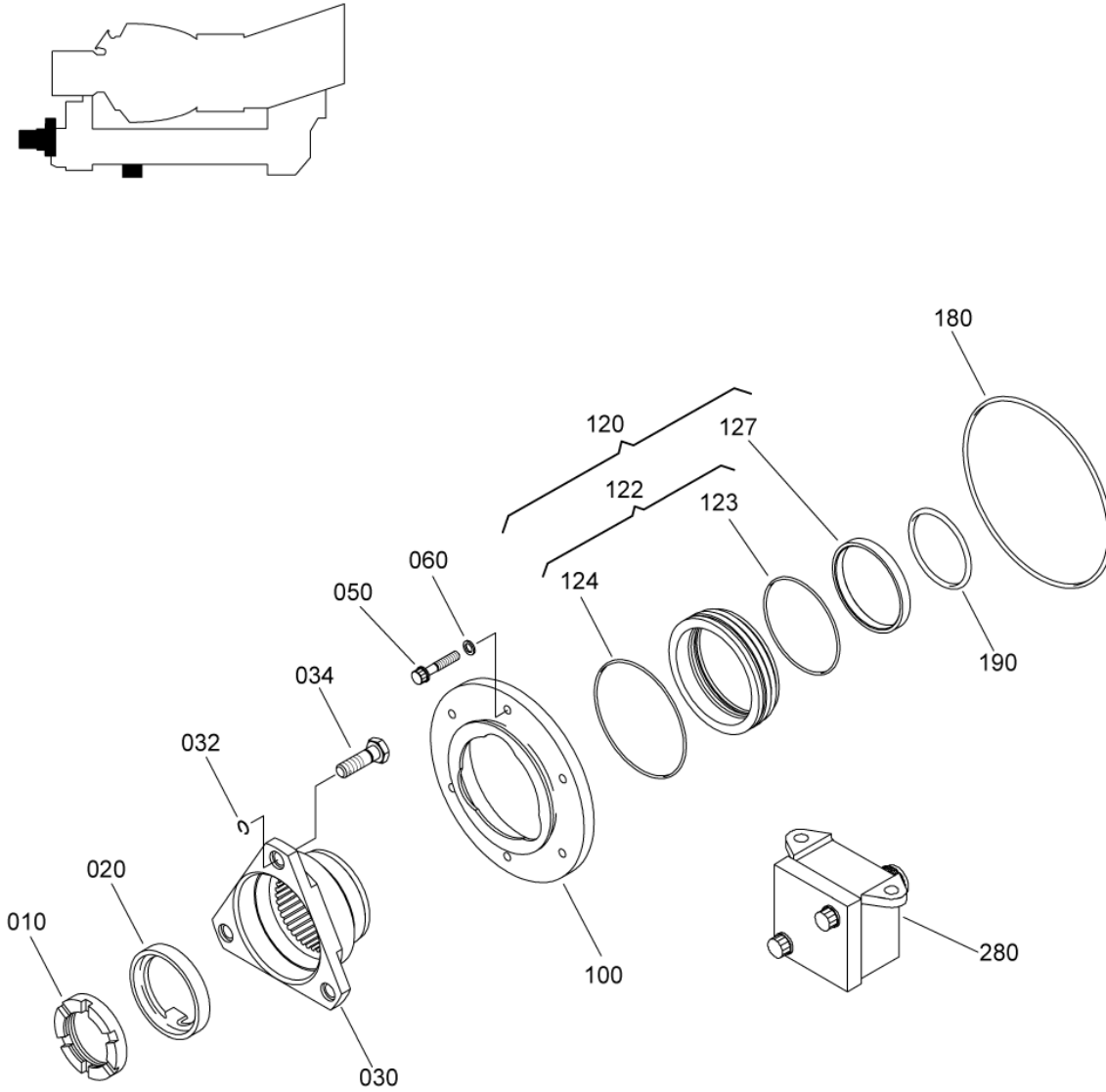
SAFRAN HELICOPTER ENGINES

ARRIEL 2 C2

MAINTENANCE SPARE PARTS CATALOG

| FIGURE ITEM | PART NUMBER | AIRL. STOCK No. | DESCRIPTION | EFFECT | QTY |
|----------------|---------------|-----------------------|---|--------|-----|
| | | | 1 2 3 4 5 6 7 | | |
| 01 | | | | | |
| -001 | - | | INST.,TUBE,JUNCTION NON PROCURABLE REFER TO CHAP. 72-61-00 FIG.02 ITEM 200 | | RF |
| 010 | EN3686050016 | | . SCREW - VI9005 (9836405016) | | 23 |
| 015 | 0000026530 | | . SCREW,TAIL | | 1 |
| 020 | 0292757210 | | . JUNCTION TUBE PRE ACR (AE 126171) | | 1 |
| -020A | 0292750030 | | . JUNCTION TUBE POST ACR (AE 126171) | | 1 |
| 026 | EN2944-050075 | | . . THREAD,INSERT - VI9005 (9728050803) | | 2 |
| 050 | 9682011652 | | . PACKING,PREFORMED | | 1 |
| 070 | 0292757140 | | . TUBE,EQUIPPED | | 1 |
| 080 | 9794172203 | | . PACKING,PREFORMED | | 1 |
| 090 | 0292757160 | | . TUBE,EQUIPPED | | 1 |
| 100 | 9681501054 | | . PACKING,PREFORMED | | 1 |
| 110 | 9681501153 | | . PACKING,PREFORMED | | 1 |
| 120 | 0292757850 | | . TUBE,EQUIPPED | | 1 |
| 130 | 9794095203 | | . PACKING,PREFORMED | | 1 |
| 140 | 0292750150 | | . SPRING STRIP PRE TU 154 (AE 65145) | | 2 |
| -140A | 0292750010 | | . SPRING STRIP POST TU 154 (AE 65145) | | 2 |
| 150 | 0292750390 | | . RING | | 2 |
| 160 | 0292750400 | | . RING | | 4 |
| 180 | 0333750630 | | . BRACKET,ANGLE PRE ACR (AE 87151) POST ACR (AE 87275) | | 1 |
| 190 | 9866205026 | | . NUT 9866205026 IS THE SAFRAN HE PART NUMBER FOR: VF0111 - 22526-050 VI9005 - EN2906-050 PRE ACR (AE 87151) POST ACR (AE 87275) | | 1 |

- ITEM NOT ILLUSTRATED



INST.,POWER SHAFT
Figure 01

SAFRAN HELICOPTER ENGINES

ARRIEL 2 C2

MAINTENANCE SPARE PARTS CATALOG

| FIGURE ITEM | PART NUMBER | AIRL. STOCK No. | DESCRIPTION | EFFECT | QTY |
|----------------|--------------|-----------------------|---|--------|-----|
| | | | 1 2 3 4 5 6 7 | | |
| 01 | | | | | |
| -001 | - | | INST.,POWER SHAFT NON PROCURABLE REFER TO CHAP. 72-61-00 FIG.02 ITEM 150 | | RF |
| 010 | 9879045028 | | . NUT | | 1 |
| 020 | 9749045031 | | . LOCK | | 1 |
| 030 | 0292117260 | | . FLANGE,DRIVE | | 1 |
| -030A | 0292109010 | | . FLANGE,DRIVE ALTERNATE ITEM 030 | | 1 |
| 032 | 9745008005 | | . . RING,RETAINING | | 3 |
| 034 | 0292102900 | | . . SCREW | | 3 |
| 050 | EN3686050026 | | . SCREW - VI9005 (9836405026) | | 6 |
| 060 | 9752005044 | | . SEAL | | 6 |
| 100 | 0292102940 | | . CAGE,SEAL HOLDER | | 1 |
| 120 | 0292108170 | | . ASSY,SEALING RING NON PROCURABLE PRE TU 182 (AE 94784) PRE ACR (AE 114186) | | 1 |
| -120A | 0292101580 | | . ASSY,SEALING RING NON PROCURABLE POST TU 182 (AE 94784) PRE ACR (AE 114186) | | 1 |
| -120B | - | | . ASSY,SEALING RING NON PROCURABLE POST ACR (AE 114186) | | 1 |
| 122 | 79008-1 | | . . SEAL ASSY,MAGNETIC - V04171 (9560134100) NON PROCURABLE PRE TU 182 (AE 94784) PART OF ITEM 120 | | 1 |
| -122A | 79008-3 | | . . SEAL ASSY,MAGNETIC - V04171 (9560131840) POST TU 182 (AE 94784) PART OF ITEMS 120A 120B | | 1 |
| 123 | 140-517 | | . . . PACKING,PREFORMED - V04171 (9560140340) NON PROCURABLE PRE TU 182 (AE 94784) USE WITH ITEM 120 | | 1 |
| -123A | 140-567 | | . . . PACKING,PREFORMED - V04171 (9560142440) POST TU 182 (AE 94784) USE WITH ITEMS 120A 120B | | 1 |
| -123B | 140-547 | | . . . PACKING,PREFORMED - V04171 (9560156580) POST ACR (AE 126239) PART OF ITEM 122A ALTERNATE ITEM 123A | | 1 |
| 124 | 146517 | | . . . PACKING,PREFORMED - V04171 (9560140350) NON PROCURABLE PRE TU 182 (AE 94784) USE WITH ITEM 120 | | 1 |
| -124A | 146-567 | | . . . PACKING,PREFORMED - V04171 (9560142450) POST TU 182 (AE 94784) USE WITH ITEMS 120A 120B | | 1 |

- ITEM NOT ILLUSTRATED

SAFRAN HELICOPTER ENGINES

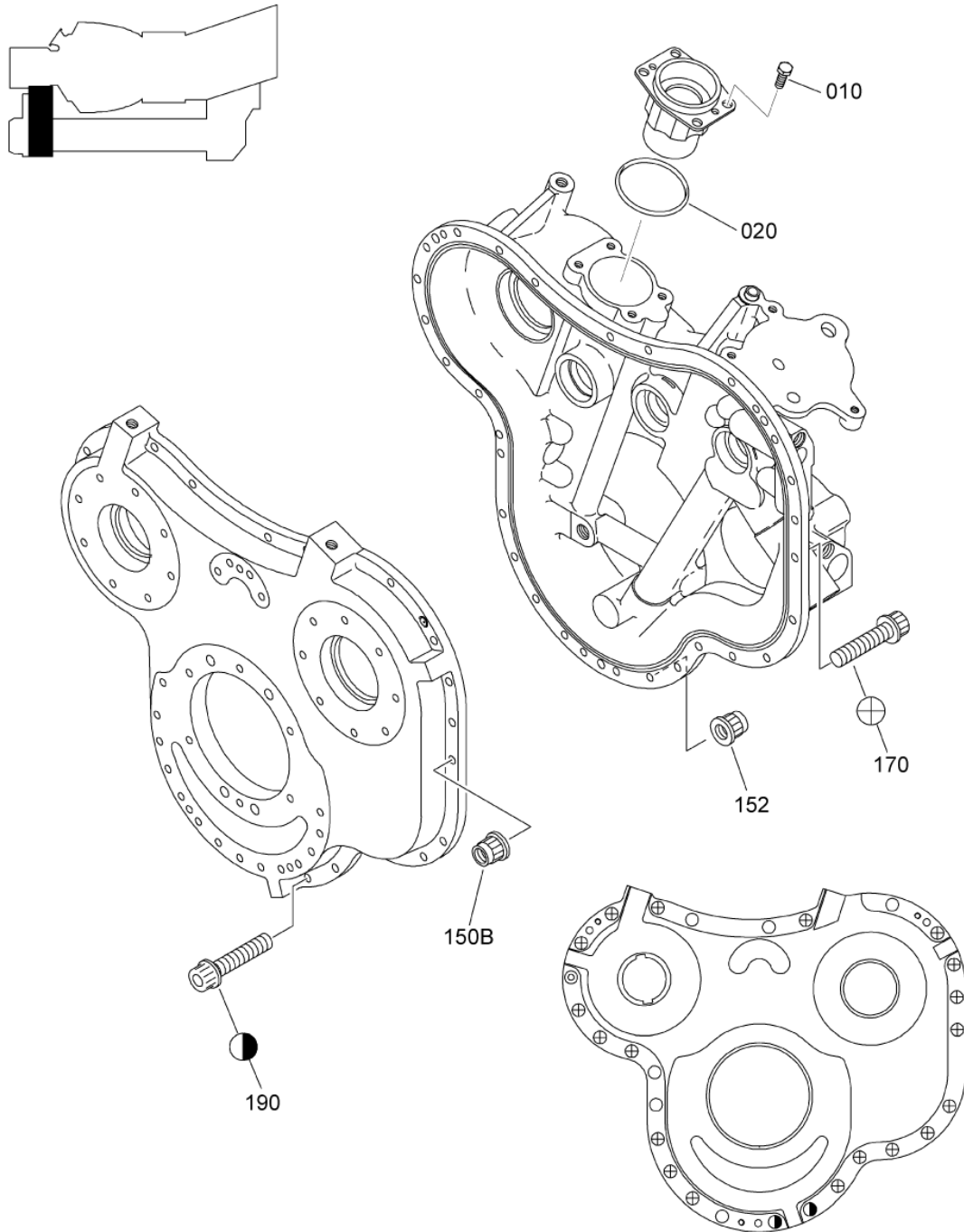
ARRIEL 2 C2

MAINTENANCE SPARE PARTS CATALOG

| FIGURE ITEM | PART NUMBER | AIRL. STOCK No. | DESCRIPTION | EFFECT | QTY |
|----------------|-------------|-----------------------|--|--------|-----|
| | | | 1 2 3 4 5 6 7 | | |
| 01 | | | | | |
| -124B | 146-547 | | . . . PACKING, PREFORMED - V04171 (9560156880) POST ACR (AE 126239) PART OF ITEM 122A ALTERNATE ITEM 124A | | 1 |
| 127 | 0292102950 | | . . RING | | 1 |
| 180 | 9682011203 | | . PACKING, PREFORMED | | 1 |
| 190 | 9682504402 | | . PACKING, PREFORMED | | 1 |
| 280 | 0177987070 | | . BOX, CONFORMATION REPAIRABLE PRE TU192 (AE 109677) | | 1 |
| -280A | 0177987140 | | . BOX, CONFORMATION REPAIRABLE POST TU192 (AE 109677) REFER TO CHAP.77-09-02 FOR DETAILS | | 1 |

- ITEM NOT ILLUSTRATED

PAGE LEFT BLANK INTENTIONALLY



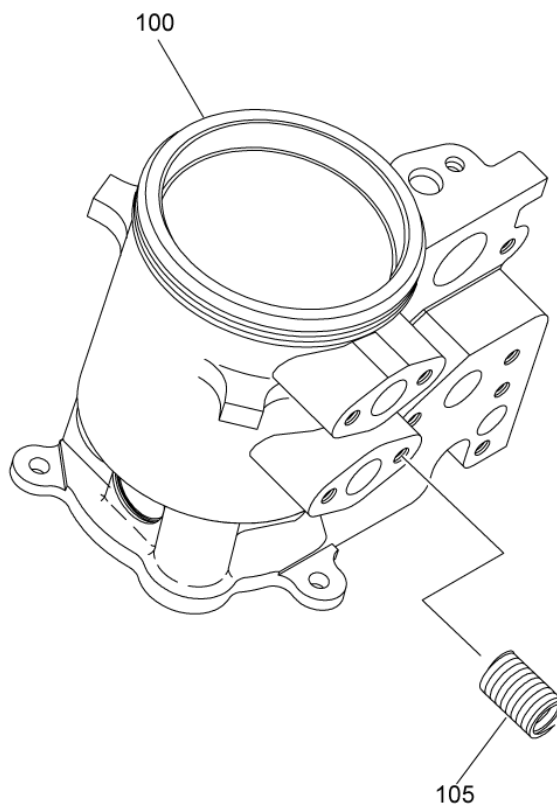
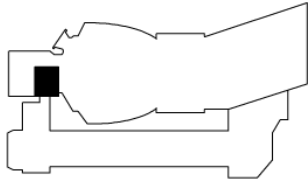
INST.,GEARS
Figure 01

TURBOMECA ARRIEL 2 C2

MAINTENANCE SPARE PARTS CATALOG

| FIGURE ITEM | PART NUMBER | AIRL. STOCK No. | DESCRIPTION | EFFECT | QTY |
|----------------|----------------|-----------------------|---|--------|-----|
| | | | 1 2 3 4 5 6 7 | | |
| 01 | | | | | |
| -001 | - | | INST.,GEARS NON PROCURABLE REFER TO CHAP. 72-61-00 FIG.02 ITEM 250 | | RF |
| 010 | 22209BC050014L | | . SCREW - VF0111 (9817051414) | | 4 |
| 020 | 9681503502 | | . PACKING,PREFORMED | | 1 |
| -150 | 9866205026 | | . NUT 9866205026 IS THE TURBOMECA PART NUMBER FOR: VF0111 - 22526-050 VI9005 - EN2906-050 PRE ACR (AE 65088) | | 4 |
| -150A | 9866205026 | | . NUT 9866205026 IS THE TURBOMECA PART NUMBER FOR: VF0111 - 22526-050 VI9005 - EN2906-050 PRE ACR (AE 67032) POST ACR (AE 65088) | | 4 |
| 150B | 9866205026 | | . NUT 9866205026 IS THE TURBOMECA PART NUMBER FOR: VF0111 - 22526-050 VI9005 - EN2906-050 POST ACR (AE 67032) | | 4 |
| 152 | 9866205026 | | . NUT 9866205026 IS THE TURBOMECA PART NUMBER FOR: VF0111 - 22526-050 VI9005 - EN2906-050 POST ACR (AE 65088) | | 1 |
| 170 | EN3686050022 | | . SCREW - VI9005 (9836405022) PRE ACR (AE 65090) | | 3 |
| -170A | EN3686050024 | | . SCREW - VI9005 (9836405024) PRE ACR (AE 87151) POST ACR (AE 65090) | | 3 |
| -170B | EN3686050024 | | . SCREW - VI9005 (9836405024) POST ACR (AE 87151) | | 3 |
| 190 | EN3686050024 | | . SCREW - VI9005 (9836405024) PRE ACR (AE 65090) | | 2 |
| -190A | EN3686050026 | | . SCREW - VI9005 (9836405026) POST ACR (AE 65090) | | 2 |

- ITEM NOT ILLUSTRATED



BASE PLATE ASSY, FILTER
Figure 01

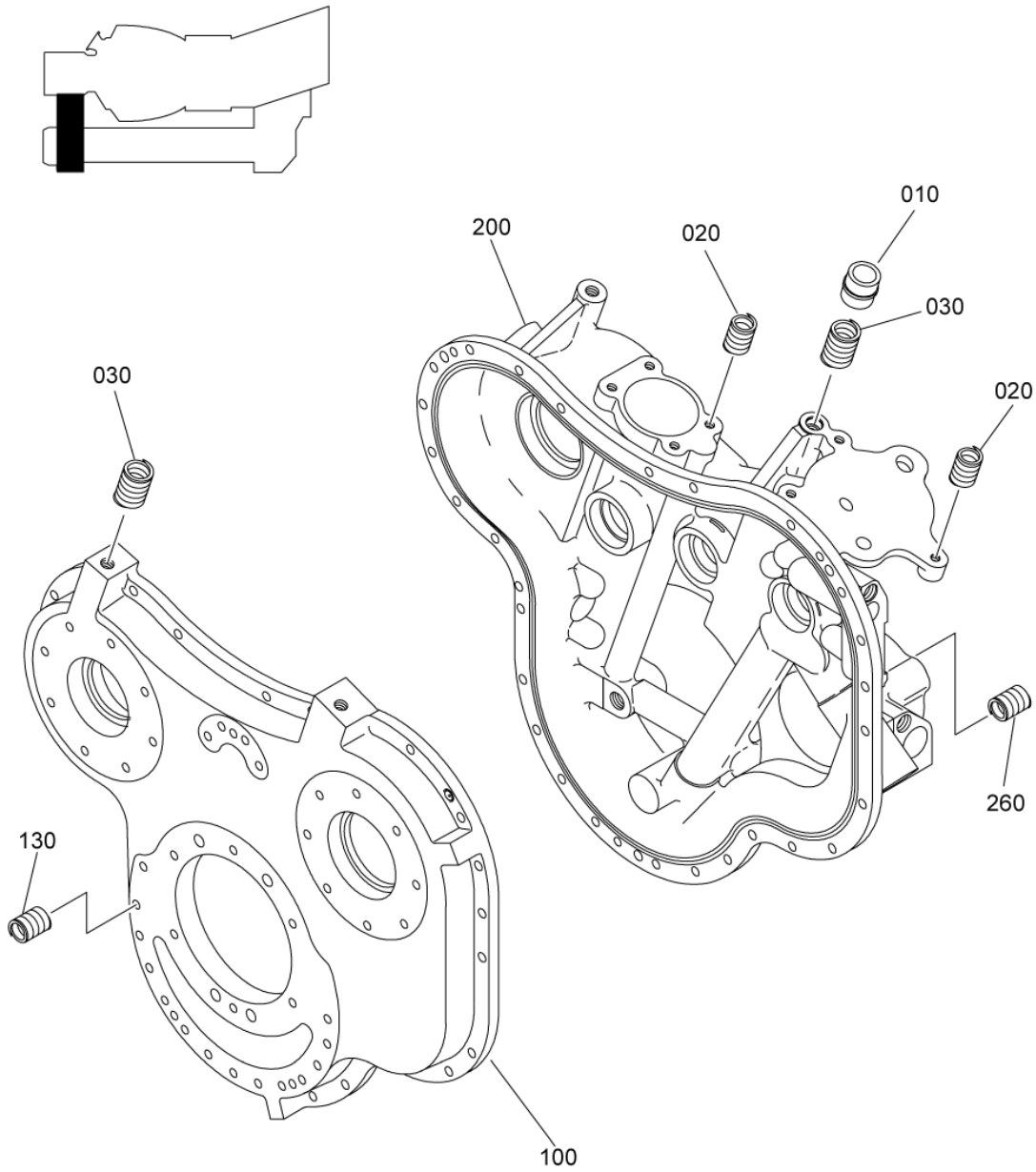
SAFRAN HELICOPTER ENGINES

ARRIEL 2 C2

MAINTENANCE SPARE PARTS CATALOG

| FIGURE ITEM | PART NUMBER | AIRL. STOCK No. | DESCRIPTION | EFFECT | QTY |
|----------------|---------------|-----------------------|---|--------|-----|
| | | | 1 2 3 4 5 6 7 | | |
| 01 | | | | | |
| -001 | 0292127890 | | BASE PLATE ASSY,FILTER REFER TO CHAP. 72-61-00 FIG.02 ITEM 010 | | RF |
| 100 | 0292127420 | | . BASE PLATE ASSY,FILTER NON PROCURABLE | | 1 |
| 105 | EN2944-050100 | | . . THREAD,INSERT - V19005 (9728050804) | | 12 |

- ITEM NOT ILLUSTRATED



CASINGS,ASSEMBLED
Figure 01

SAFRAN HELICOPTER ENGINES

ARRIEL 2 C2

MAINTENANCE SPARE PARTS CATALOG

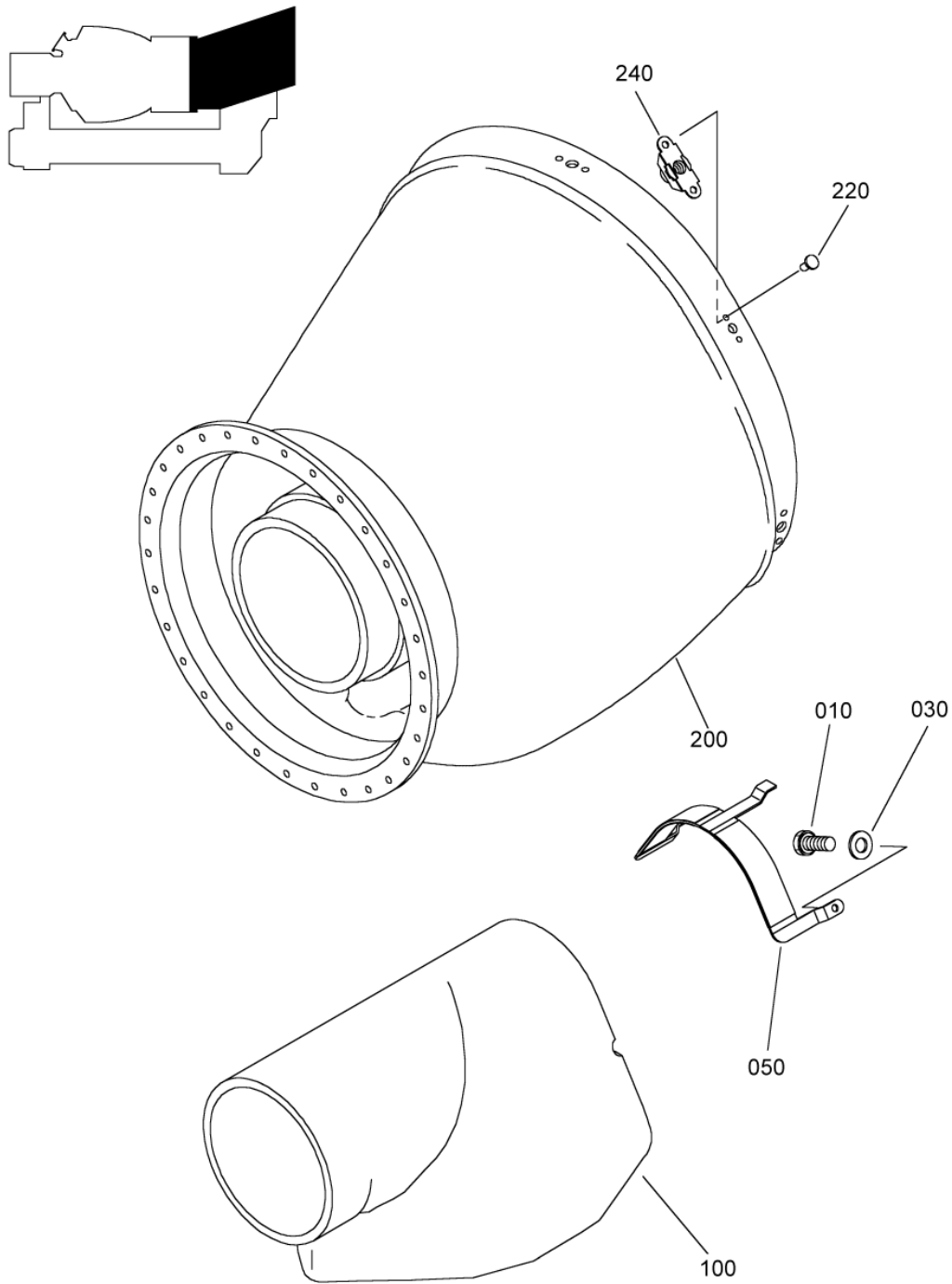
| FIGURE ITEM | PART NUMBER | AIRL. STOCK No. | DESCRIPTION | EFFECT | QTY |
|----------------|---------------|-----------------------|---|--------|-----|
| | | | 1 2 3 4 5 6 7 | | |
| 01 | | | | | |
| -001 | 0292127720 | | CASINGS,ASSEMBLED NON PROCURABLE PRE ACR (AE 87151) POST TU194 (AE 103512) BECOMES ITEM 001C | a | RF |
| -001A | 0292121490 | | CASINGS,ASSEMBLED NON PROCURABLE POST ACR (AE 87151) PRE TU194 (AE 103512) | b | RF |
| -001B | 0292121530 | | CASINGS,ASSEMBLED NON PROCURABLE POST TU194 (AE 103512) | c | RF |
| -001C | 729212772A | | CASINGS,ASSEMBLED NON PROCURABLE POST TU194 (AE 103512) RETROFIT ITEM 001 REFER TO CHAP. 72-61-00 FIG.02 ITEM 300 | d | RF |
| 010 | 0292103360 | | . BUSH | | 1 |
| 020 | EN2944-050100 | | . THREAD,INSERT - V19005 (9728050804) | | 7 |
| 030 | EN2944-060120 | | . THREAD,INSERT - V19005 (9728061004) | | 4 |
| 100 | 0292127020 | | . COVER,BOX NON PROCURABLE PRE TU194 (AE 103512) | | 1 |
| -100A | 0292120650 | | . COVER,BOX NON PROCURABLE POST ACR (AE 76704) PRE TU194 (AE 103512) ALTERNATE ITEM 100 | | 1 |
| -100B | 0292121510 | | . COVER,BOX NON PROCURABLE POST TU194 (AE 103512) | | 1 |
| 130 | EN2944-050100 | | . . THREAD,INSERT - V19005 (9728050804) PRE ACR (AE 65968) | | 42 |
| -130A | EN2944-050100 | | . . THREAD,INSERT - V19005 (9728050804) POST ACR (AE 65968) | | 41 |
| 200 | 0292127680 | | . CASING,ACCESSORY GEARBOX NON PROCURABLE PRE ACR (AE 87151) | a, d | 1 |
| -200A | 0292120410 | | . CASING,ACCESSORY GEARBOX NON PROCURABLE PRE ACR (AE 87151) POST ACR (AE 67669) ALTERNATE ITEM 200 | a, d | 1 |
| -200B | 0292121460 | | . CASING,ACCESSORY GEARBOX NON PROCURABLE POST ACR (AE 87151) | b, c | 1 |
| 260 | EN2944-050100 | | . . THREAD,INSERT - V19005 (9728050804) PART OF ITEMS 200 200A | | 47 |
| -260A | EN2944-050100 | | . . THREAD,INSERT - V19005 (9728050804) POST ACR (AE 87151) PART OF ITEM 200B | | 49 |

- ITEM NOT ILLUSTRATED

DETAILED PART LIST

EXHAUST PIPE

72-70-00



PIPE, EXHAUST
Figure 01

SAFRAN HELICOPTER ENGINES

ARRIEL 2 C2

MAINTENANCE SPARE PARTS CATALOG

| FIGURE ITEM | PART NUMBER | AIRL. STOCK No. | DESCRIPTION | EFFECT | QTY |
|----------------|---------------|-----------------------|---|--------|-----|
| | | | 1 2 3 4 5 6 7 | | |
| 01 | | | | | |
| -001 | 0292815020 | | PIPE,EXHAUST REPAIRABLE REFER TO CHAP. 72-00-00 FIG.01 ITEM 070 | | RF |
| 010 | EN3613-050012 | | . SCREW - VI9005 (9836505012) | | 2 |
| 030 | 23112CF050 | | . WASHER - VF0111 (9975050024) | | 2 |
| 050 | 0292817480 | | . STRAP | | 1 |
| 100 | 0292827170 | | . SHIELD,HEAT | | 1 |
| 200 | 0292817330 | | . PIPE,EXHAUST REPAIRABLE | | 1 |
| 220 | 21217CA2405 | | . . RIVET - VF0111 (9961240521) | | 14 |
| 240 | 9560128730 | | . . ANCHOR NUT 9560128730 IS THE SAFRAN HE PART NUMBER FOR: VF0224 - 5080LATE10CMK-BD | | 7 |

- ITEM NOT ILLUSTRATED

CHAPTER 73 - LIST OF EFFECTIVE PAGES

| <u>Chapter Section Subject</u> | <u>Figure</u> | <u>Title</u> | <u>Pages</u> | <u>Date</u> |
|--|---------------|--|--------------|--------------|
| 73 | | LIST OF EFFECTIVE PAGES | * 1 - 2 | Dec. 30/2023 |
| 73 | | TABLE OF CONTENTS | 1 - 2 | Apr. 30/2014 |
| 73-00-00 | TITLE | SYSTEM, FUEL | 1 | Nov. 30/2009 |
| 73-00-00 | 01 | SYSTEM,FUEL | 0 | Nov. 30/2009 |
| 73-00-00 | 01 | | 1 | Nov. 30/2009 |
| 73-10-00 | TITLE | DISTRIBUTION | 1 | Nov. 30/2009 |
| 73-14-00 | 01-1/2 | VALVE ASSY,ADJUSTED | 0 | June 15/2023 |
| 73-14-00 | BLANK | | 0 | June 15/2023 |
| 73-14-00 | 01-2/2 | | 0 | June 15/2023 |
| 73-14-00 | 01 | | 1 | June 15/2023 |
| 73-14-01 | 01 | VALVE ASSY,ADJUSTED | 0 | June 15/2020 |
| 73-14-01 | 01 | | 1 - 3 | June 15/2020 |
| 73-19-00 | 01-1/2 | PIPES,FUEL | 0 | Dec. 30/2021 |
| 73-19-00 | BLANK | | 0 | Dec. 30/2021 |
| 73-19-00 | 01-2/2 | | 0 | Dec. 30/2021 |
| 73-19-00 | 01 | | 1 - 3 | Dec. 30/2021 |
| 73-20-00 | TITLE | CONTROLLING | 1 | Nov. 30/2009 |
| 73-23-00 | 01-1/2 | PUMP AND METERING VALVE ASSY,ADJUSTED | 0 | Dec. 30/2021 |
| 73-23-00 | BLANK | | 0 | Dec. 30/2021 |
| 73-23-00 | 01-2/2 | | 0 | Dec. 30/2021 |
| 73-23-00 | 01 | | 1 - 3 | Dec. 30/2021 |
| 73-23-08 | 01 | PUMP AND METERING VALVE ASSY,ADJUSTED | * 0 | Dec. 30/2023 |
| 73-23-08 | 01 | | * 1 - 5 | Dec. 30/2023 |
| 73-23-08 | 02 | PUMP AND METERING VALVE ASSY | 0 | Dec. 30/2018 |

* Page modified following update No. 50

| <u>Chapter Section Subject</u> | <u>Figure</u> | <u>Title</u> | <u>Pages</u> | <u>Date</u> |
|--|---------------|--------------------------|--------------|--------------|
| 73-23-08 | 02 | | 1 - 5 | Dec. 30/2018 |
| 73-23-08 | 03-1/6 | PUMP ASSY,HP/LP | 0 | June 15/2022 |
| 73-23-08 | BLANK | | 0 | June 15/2022 |
| 73-23-08 | 03-2/6 | | 0 | June 15/2022 |
| 73-23-08 | BLANK | | 0 | June 15/2022 |
| 73-23-08 | 03-3/6 | | 0 | June 15/2022 |
| 73-23-08 | BLANK | | 0 | June 15/2022 |
| 73-23-08 | 03-4/6 | | 0 | June 15/2022 |
| 73-23-08 | BLANK | | 0 | June 15/2022 |
| 73-23-08 | 03-5/6 | | 0 | June 15/2022 |
| 73-23-08 | BLANK | | 0 | June 15/2022 |
| 73-23-08 | 03-6/6 | | 0 | June 15/2022 |
| 73-23-08 | 03 | | 1 - 5 | June 15/2022 |
| 73-23-08 | 04 | METERING VALVE ASSY,FUEL | 0 | Dec. 30/2018 |
| 73-23-08 | 04 | | 1 | Dec. 30/2018 |
| 73-23-08 | 06 | ASSY,MANUAL CONTROL | 0 | June 30/2018 |
| 73-23-08 | 06 | | 1 | June 30/2018 |

* Page modified following update No. 50

CHAPTER 73 - TABLE OF CONTENTS

| <u>Title</u> | <u>Chapter Section Subject</u> | <u>Figure</u> |
|---------------------------------------|--|---------------|
| SYSTEM, FUEL | 73-00-00 | |
| SYSTEM,FUEL | 73-00-00 | 01 |
| DISTRIBUTION | 73-10-00 | |
| VALVE ASSY,ADJUSTED | 73-14-00 | 01 |
| VALVE ASSY,ADJUSTED | 73-14-01 | 01 |
| PIPES,FUEL | 73-19-00 | 01 |
| CONTROLLING | 73-20-00 | |
| PUMP AND METERING VALVE ASSY,ADJUSTED | 73-23-00 | 01 |
| PUMP AND METERING VALVE ASSY,ADJUSTED | 73-23-08 | 01 |
| PUMP AND METERING VALVE ASSY | 73-23-08 | 02 |
| PUMP ASSY,HP/LP | 73-23-08 | 03 |
| I | | |
| METERING VALVE ASSY,FUEL | 73-23-08 | 04 |
| ASSY,MANUAL CONTROL | 73-23-08 | 06 |

* TURBOMECA Maintenance Level

PAGE LEFT BLANK INTENTIONALLY

DETAILED PART LIST

SYSTEM, FUEL

73-00-00

FIGURE NOT ILLUSTRATED

SYSTEM,FUEL
Figure 01

TURBOMECA ARRIEL 2 C2

MAINTENANCE SPARE PARTS CATALOG

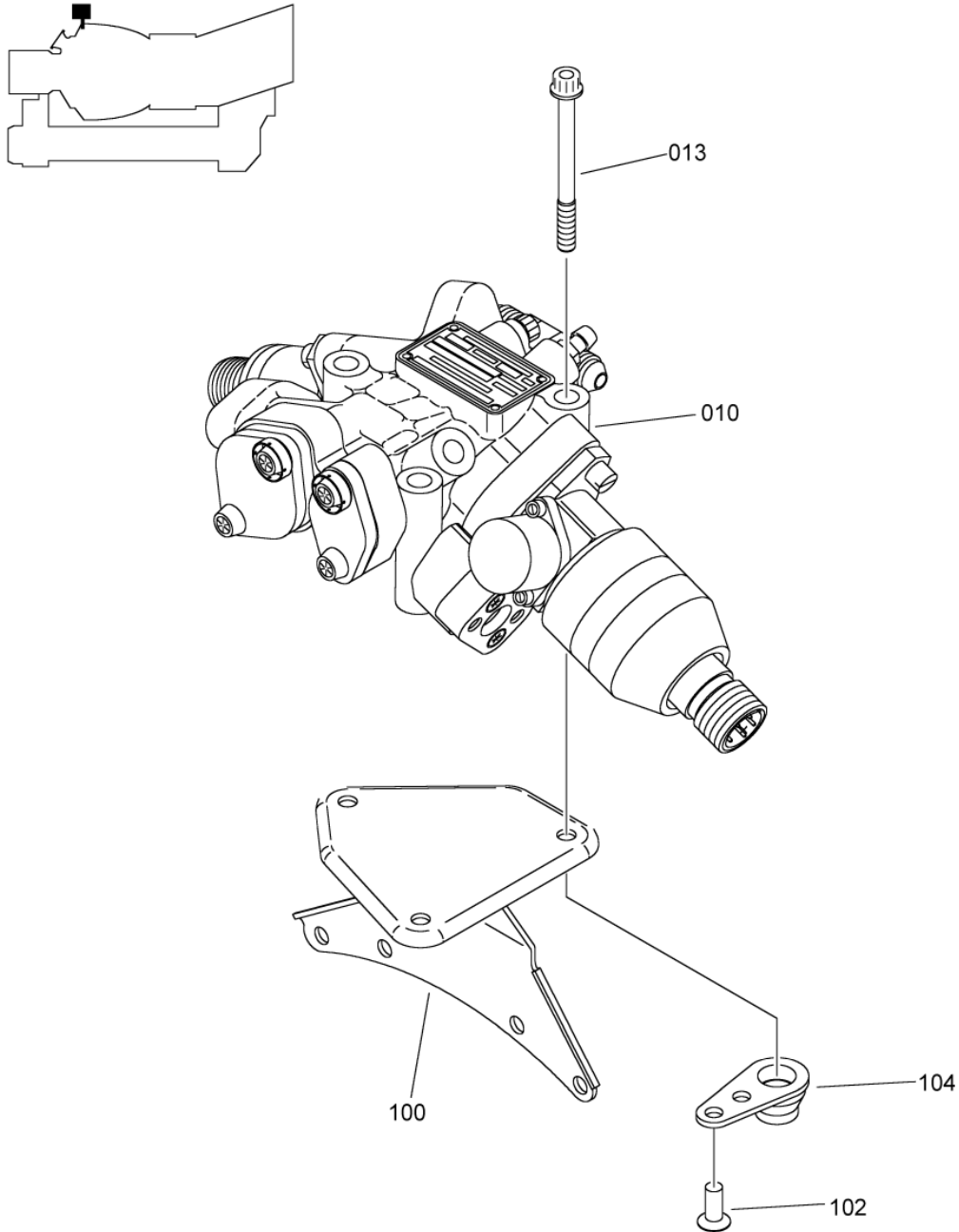
| FIGURE ITEM | PART NUMBER | AIRL. STOCK No. | DESCRIPTION | EFFECT | QTY |
|----------------|-------------|-----------------------|---|--------|-----|
| | | | 1 2 3 4 5 6 7 | | |
| 01 | | | | | |
| -001 | - | | SYSTEM,FUEL NON PROCURABLE REFER TO CHAP. 71-00-00 FIG.01 ITEM 030 | | RF |
| -010 | - | | . INST.,VALVE ASSY,ADJUSTED NON PROCURABLE REFER TO CHAP.73-14-00 FOR DETAILS | | 1 |
| -020 | - | | . INST.,PIPES,FUEL NON PROCURABLE REFER TO CHAP.73-19-00 FOR DETAILS | | 1 |
| -030 | - | | . INST.,PUMP AND METERING VALVE ASSY,ADJUSTED NON PROCURABLE REFER TO CHAP.73-23-00 FOR DETAILS | | 1 |

- ITEM NOT ILLUSTRATED

DETAILED PART LIST

DISTRIBUTION

73-10-00



INST., VALVE ASSY, ADJUSTED
Figure 01 (Sheet 1/2)

PAGE LEFT BLANK INTENTIONALLY

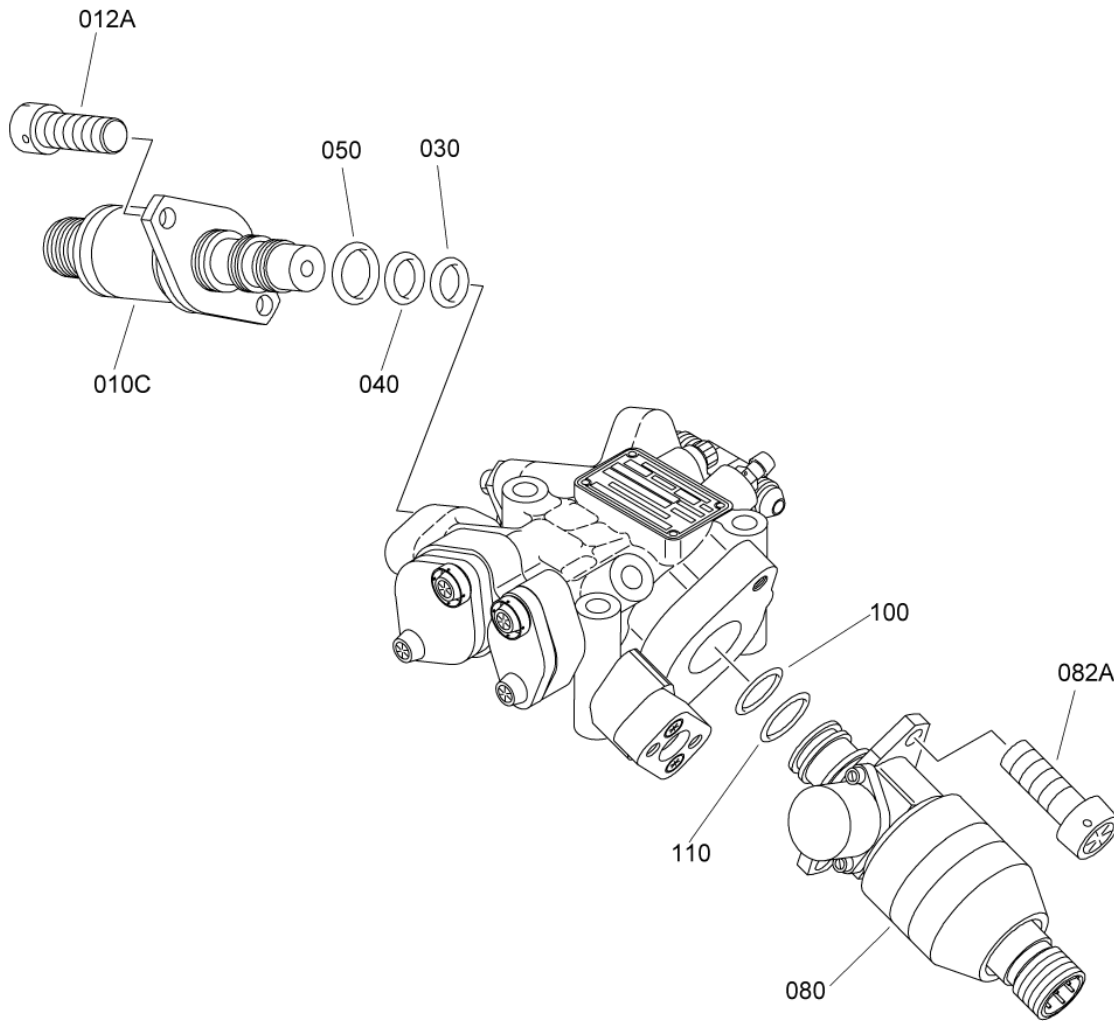
SAFRAN HELICOPTER ENGINES

ARRIEL 2 C2

MAINTENANCE SPARE PARTS CATALOG

| FIGURE ITEM | PART NUMBER | AIRL. STOCK No. | DESCRIPTION | EFFECT | QTY |
|----------------|----------------|-----------------------|---|--------|-----|
| | | | 1 2 3 4 5 6 7 | | |
| 01 | | | | | |
| -001 | - | | INST.,VALVE ASSY,ADJUSTED NON PROCURABLE REFER TO CHAP. 73-00-00 FIG.01 ITEM 010 | | RF |
| 010 | 0292958050 | | . VALVE ASSY,ADJUSTED REPAIRABLE PRE TU 096 (AE 50550) | | 1 |
| -010A | 0292958060 | | . VALVE ASSY,ADJUSTED REPAIRABLE POST TU 096 (AE 50550) PRE TU 126A (AE 49318) PRE TU195 (AE 97872) | | 1 |
| -010B | 0292958070 | | . VALVE ASSY,ADJUSTED REPAIRABLE POST TU 126A (AE 49318) PRE TU195 (AE 97872) | | 1 |
| -010C | 0292950780 | | . VALVE ASSY,ADJUSTED REPAIRABLE POST TU195 (AE 97872) REFER TO CHAP.73-14-01 FOR DETAILS | | 1 |
| 013 | 0000025960 | | ATTACHING PARTS . SCREW *** | | 3 |
| 100 | 0292737250 | | . SUPPORT ASSY,VALVE | | 1 |
| 102 | 21217CA2406 | | . . RIVET - VF0111 (9961240621) | | 6 |
| 104 | 5SMR2205 | | . . ANCHOR NUT - VF0224 (9564090030) PRE ACR (AE 95508) | | 3 |
| -104A | 5 JSMR 20209 M | | . . ANCHOR NUT - VF0224 (9564090090) POST ACR (AE 95508) | | 3 |

- ITEM NOT ILLUSTRATED



VALVE ASSY,ADJUSTED
Figure 01

SAFRAN HELICOPTER ENGINES

ARRIEL 2 C2

MAINTENANCE SPARE PARTS CATALOG

| FIGURE ITEM | PART NUMBER | AIRL. STOCK No. | DESCRIPTION | EFFECT | QTY |
|----------------|----------------|-----------------------|--|--------|-----|
| | | | 1 2 3 4 5 6 7 | | |
| 01 | | | | | |
| -001 | 0292958050 | | VALVE ASSY,ADJUSTED REPAIRABLE | a | RF |
| -001A | 0292958060 | | PRE TU 096 (AE 50550) VALVE ASSY,ADJUSTED REPAIRABLE | b | RF |
| -001B | 0292958070 | | PRE TU 126A (AE 49318) POST TU 096 (AE 50550) PRE TU195 (AE 97872) VALVE ASSY,ADJUSTED REPAIRABLE | c | RF |
| -001D | 0292950780 | | POST TU 126A (AE 49318) PRE TU195 (AE 97872) VALVE ASSY,ADJUSTED POST TU195 (AE 97872) REFER TO CHAP. 73-14-00 FIG.01 ITEM 010 | e | RF |
| -005 | 0292955050 | | . VALVE ASSY NON PROCURABLE PRE TU 096 (AE 50550) | a | 1 |
| -005A | 0292955090 | | . VALVE ASSY NON PROCURABLE PRE TU 126A (AE 49318) POST TU 096 (AE 50550) | b | 1 |
| -005B | 0292955100 | | . VALVE ASSY NON PROCURABLE POST TU 126A (AE 49318) PRE TU195 (AE 97872) | c | 1 |
| -005D | 0292950760 | | . VALVE ASSY POST TU195 (AE 97872) | e | 1 |
| -010A | EV5649-0-03 | | . . ELECTRO - VALVE,START - VF2805 (9550173440) POST ACR (AE 44671) PRE TU 096 (AE 50550) PART OF ITEM 005 | | 1 |
| -010B | EV 5649-0-04 | | . . ELECTRO - VALVE,START - VF2805 (9550179070) PRE ACR (AE 50838) POST TU 096 (AE 50550) PART OF ITEMS 005A 005B | | 1 |
| 010C | EV5649-0-05 | | . . ELECTRO - VALVE,START - VF2805 (9550179690) PRE ACR (AE 27550) POST ACR (AE 50838) PART OF ITEMS 005A 005B | | 1 |
| -010D | EV5649-1-00 | | . . ELECTRO - VALVE,START - VF2805 (9550180120) POST ACR (AE 27550) PART OF ITEMS 005A 005B 005D | | 1 |
| -012 | 22296CF050014E | | ATTACHING PARTS . . SCREW - VF0111 (9848501429) PRE ACR (AE 51781) | | 2 |
| 012A | 9837205014 | | . . SCREW POST ACR (AE 51781) | | 2 |

- ITEM NOT ILLUSTRATED

SAFRAN HELICOPTER ENGINES

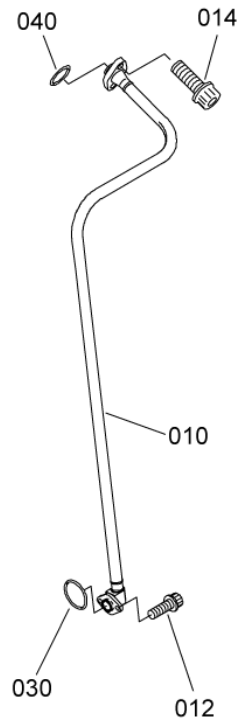
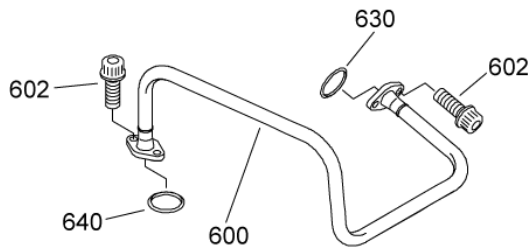
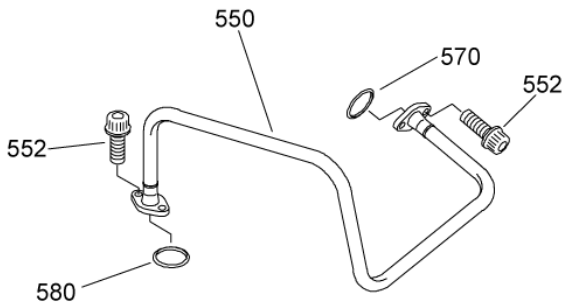
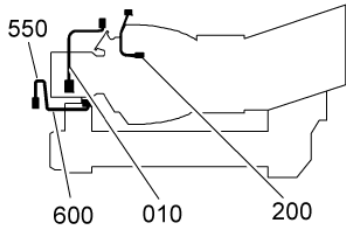
ARRIEL 2 C2

MAINTENANCE SPARE PARTS CATALOG

| FIGURE ITEM | PART NUMBER | AIRL. STOCK No. | DESCRIPTION | EFFECT | QTY |
|----------------|----------------|-----------------------|--|--------|-----|
| | | | 1 2 3 4 5 6 7 | | |
| 01 | | | | | |
| -012B | EN3912-050014 | | . . SCREW - VI9005 (9837105014) POST ACR (AE 63509) *** | | 2 |
| 030 | 46012A01060 | | . . PACKING,PREFORMED - VF0111 (9794410106) | | 1 |
| 040 | 46012A01180 | | . . PACKING,PREFORMED - VF0111 (9794410118) | | 1 |
| 050 | 46012A01400 | | . . PACKING,PREFORMED - VF0111 (9794410140) | | 1 |
| 080 | EV5692-2-00 | | . . ELECTRO - VALVE,STOP - VF2805 (9550171790) PART OF ITEMS 005 005A 005B 005C 005D 005E | | 1 |
| -080A | EV5692-1-01 | | . . ELECTRO - VALVE,STOP - VF2805 (9550171910) NON PROCURABLE PRE ACR (AE 46170) PART OF ITEMS 005 005A 005B 005C ALTERNATE ITEM 080 | | 1 |
| -080B | EV5692-4-00 | | . . ELECTRO - VALVE,STOP - VF2805 (9550181650) POST ACR (AE 117291) PART OF ITEMS 005 005A 005B 005C 005D ALTERNATE ITEM 080 | | 1 |
| | | | ATTACHING PARTS | | |
| -082 | 22296CF050014E | | . . SCREW - VF0111 (9848501429) PRE ACR (AE 51781) | | 2 |
| 082A | 9837205014 | | . . SCREW POST ACR (AE 51781) | | 2 |
| -082B | EN3912-050014 | | . . SCREW - VI9005 (9837105014) POST ACR (AE 63509) *** | | 2 |
| 100 | 46012A01400 | | . . PACKING,PREFORMED - VF0111 (9794410140) | | 1 |
| 110 | 46012A01500 | | . . PACKING,PREFORMED - VF0111 (9794410150) | | 1 |

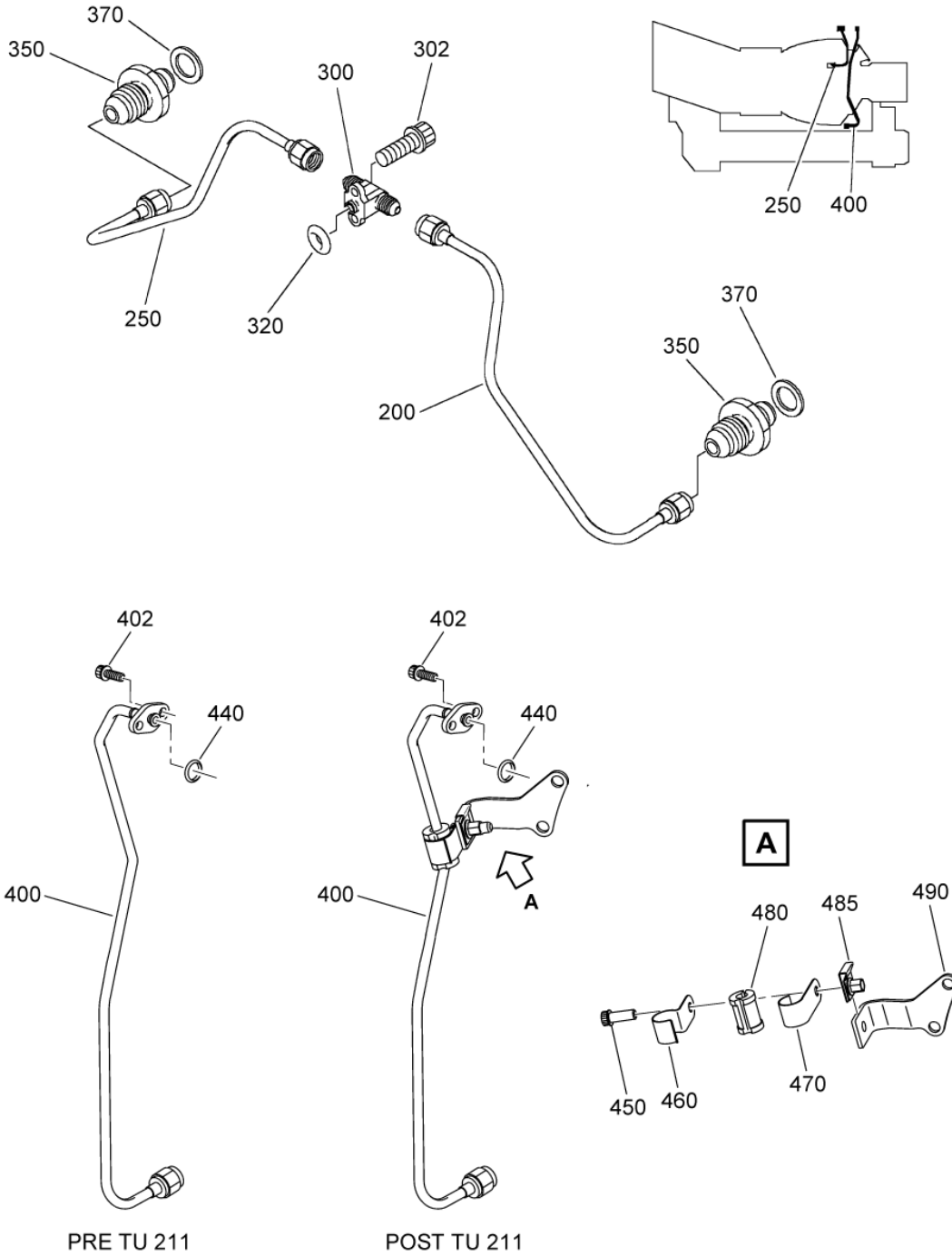
- ITEM NOT ILLUSTRATED

PAGE LEFT BLANK INTENTIONALLY



INST.,PIPES,FUEL
Figure 01 (Sheet 1/2)

PAGE LEFT BLANK INTENTIONALLY



INST.,PIPES,FUEL
Figure 01 (Sheet 2/2)

SAFRAN HELICOPTER ENGINES

ARRIEL 2 C2

MAINTENANCE SPARE PARTS CATALOG

| FIGURE ITEM | PART NUMBER | AIRL. STOCK No. | DESCRIPTION | EFFECT | QTY |
|----------------|--------------|-----------------------|---|--------|-----|
| | | | 1 2 3 4 5 6 7 | | |
| 01 | | | | | |
| -001 | - | | INST.,PIPES,FUEL NON PROCURABLE REFER TO CHAP. 73-00-00 FIG.01 ITEM 020 | | RF |
| 010 | 0292737440 | | . PIPE,FUEL,METERING VALVE-VALVE | | 1 |
| | | | ATTACHING PARTS | | |
| 012 | EN3686050014 | | . SCREW - VI9005 (9836405014) | | 2 |
| 014 | EN3686050014 | | . SCREW - VI9005 (9836405014) *** | | 2 |
| 030 | 46012A01320 | | . PACKING,PREFORMED - VF0111 (9794410132) | | 1 |
| 040 | 46012A00750 | | . PACKING,PREFORMED - VF0111 (9794410075) | | 1 |
| 200 | 0292737290 | | . PIPE,FUEL,LF MANIFOLD SUPPLY | | 1 |
| 250 | 0292737300 | | . PIPE,FUEL,RH MANIFOLD SUPPLY | | 1 |
| 300 | 0292670030 | | . UNION,3 WAY | | 1 |
| | | | ATTACHING PARTS | | |
| 302 | EN3686050014 | | . SCREW - VI9005 (9836405014) *** | | 2 |
| 320 | 46012A00560 | | . PACKING,PREFORMED - VF0111 (9794410056) | | 1 |
| 350 | 0292370330 | | . NIPPLE | | 2 |
| 370 | 9752100080 | | . SEAL | | 2 |
| 400 | 0292737310 | | . PIPE,FUEL,MAIN MANIFOLD SUPPLY | | 1 |
| | | | ATTACHING PARTS | | |
| 402 | EN3686050014 | | . SCREW - VI9005 (9836405014) *** | | 2 |
| 440 | 46012A00560 | | . PACKING,PREFORMED - VF0111 (9794410056) | | 1 |
| 450 | EN3686050014 | | . SCREW - VI9005 (9836405014) POST TU211 (AE 116702) | | 1 |
| 460 | AS12841 | | . HALF CLAMP, OUTER - VU1653 (0400420010) POST TU211 (AE 116702) | | 1 |
| 470 | AS12811 | | . HALF CLAMP, INNER - VU1653 (0400410010) POST TU211 (AE 116702) | | 1 |
| 480 | AS12872 | | . SLEEVE - VU1653 (0400430060) POST TU211 (AE 116702) | | 1 |
| 485 | EN3240-050 | | . NUT - VI9005 (9867700050) POST TU211 (AE 116702) | | 1 |
| 490 | 0292730650 | | . BRACKET, ANGLE POST TU211 (AE 116702) | | 1 |
| 550 | 0292737580 | | . PIPE,FUEL,METERING VALVE-EXCHANGER | | 1 |
| | | | ATTACHING PARTS | | |
| 552 | EN3686050014 | | . SCREW - VI9005 (9836405014) *** | | 4 |
| 570 | 46012A00950 | | . PACKING,PREFORMED - VF0111 (9794410095) | | 1 |
| 580 | 46012A00950 | | . PACKING,PREFORMED - VF0111 (9794410095) | | 1 |
| 600 | 0292737390 | | . PIPE,FUEL,EXCHANGER-METERING VALVE | | 1 |

- ITEM NOT ILLUSTRATED

SAFRAN HELICOPTER ENGINES

ARRIEL 2 C2

MAINTENANCE SPARE PARTS CATALOG

| FIGURE ITEM | PART NUMBER | AIRL. STOCK No. | DESCRIPTION | EFFECT | QTY |
|----------------|--------------|-----------------------|---|--------|-----|
| | | | 1 2 3 4 5 6 7 | | |
| 01 | | | | | |
| 602 | EN3686050014 | | ATTACHING PARTS . SCREW - V19005 (9836405014) *** | | 4 |
| 630 | 46012A00950 | | . PACKING,PREFORMED - VF0111 (9794410095) | | 1 |
| 640 | 46012A00950 | | . PACKING,PREFORMED - VF0111 (9794410095) | | 1 |

- ITEM NOT ILLUSTRATED

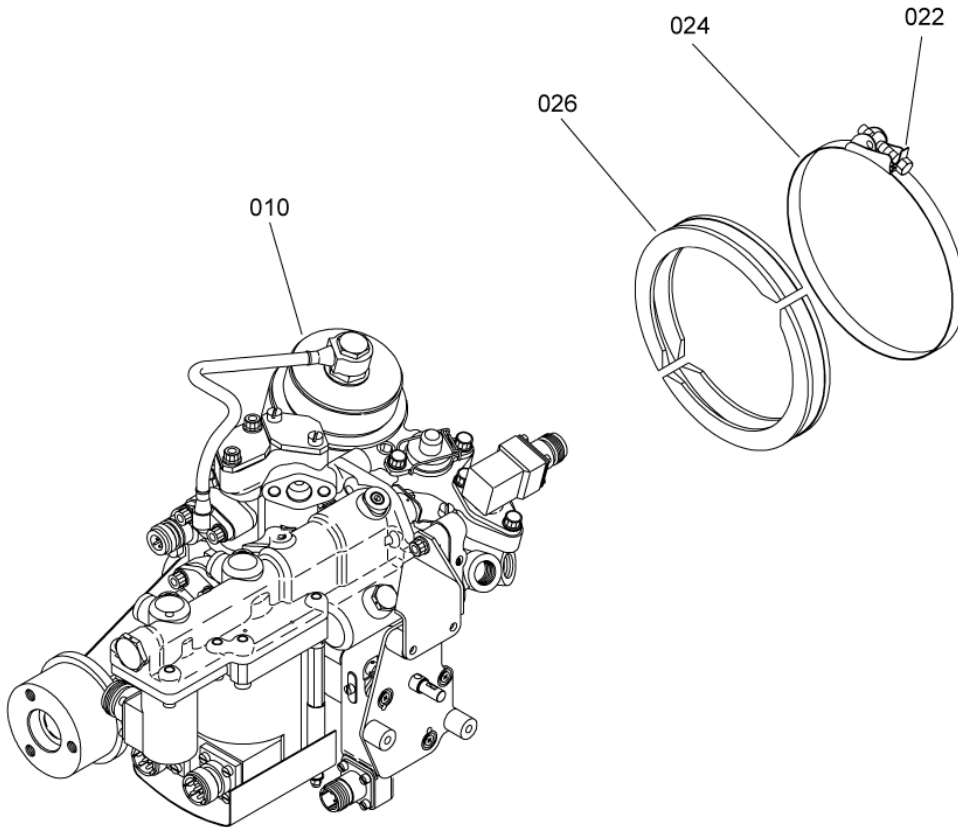
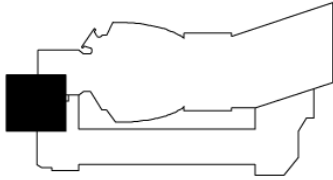
PAGE LEFT BLANK INTENTIONALLY

DETAILED PART LIST

CONTROLLING

73-20-00

PAGE LEFT BLANK INTENTIONALLY



INST.,PUMP AND METERING VALVE ASSY,ADJUSTED
Figure 01 (Sheet 2/2)

SAFRAN HELICOPTER ENGINES

ARRIEL 2 C2

MAINTENANCE SPARE PARTS CATALOG

| FIGURE ITEM | PART NUMBER | AIRL. STOCK No. | DESCRIPTION | EFFECT | QTY |
|----------------|-------------|-----------------------|---|--------|-----|
| | | | 1 2 3 4 5 6 7 | | |
| 01 | | | | | |
| -001 | - | | INST.PUMP AND METERING VALVE ASSY,ADJUSTED NON PROCURABLE REFER TO CHAP. 73-00-00 FIG.01 ITEM 030 | | RF |
| 010 | 0292858300 | | . PUMP AND METERING VALVE ASSY,ADJUSTED REPAIRABLE PRE TU 083A (AE 48205 AVT 2) POST TU 105 (AE 50922) AND POST TU 092 (AE 50282) BECOMES ITEM 010G POST TU 092 (AE 50282) BECOMES ITEM 010F | | 1 |
| -010A | 0292868050 | | . PUMP AND METERING VALVE ASSY,ADJUSTED REPAIRABLE POST TU 083A (AE 48205 AVT 2) POST TU 105 (AE 50922) BECOMES ITEM 010D PRE TU 092 (AE 50282 AVT 2) | | 1 |
| -010B | 0292868040 | | . PUMP AND METERING VALVE ASSY,ADJUSTED REPAIRABLE PRE TU 105 (AE 50922) POST TU 092 (AE 50282 AVT 2) | | 1 |
| -010C | 0292868350 | | . PUMP AND METERING VALVE ASSY,ADJUSTED REPAIRABLE POST TU 088A (AE 62343) BECOMES ITEM 010J PRE TU 088A (AE 62343) PRE TU 082A (AE 49643) POST TU 105 (AE 50922) | | 1 |
| -010D | 0292868420 | | . PUMP AND METERING VALVE ASSY,ADJUSTED REPAIRABLE POST TU 105 (AE 50922) RETROFIT ITEM 010A | | 1 |
| -010E | 0292868630 | | . PUMP AND METERING VALVE ASSY,ADJUSTED REPAIRABLE AND PRE TU 148A (AE 62919) PRE TU 147 (AE 62899) AND POST TU 082A (AE 49643) POST TU 088A (AE 62343) | | 1 |
| -010F | 0292850010 | | . PUMP AND METERING VALVE ASSY,ADJUSTED REPAIRABLE POST TU 092 (AE 50282) RETROFIT ITEM 010 | | 1 |
| -010G | 0292850020 | | . PUMP AND METERING VALVE ASSY,ADJUSTED REPAIRABLE POST TU 092 (AE 50282) RETROFIT ITEM 010 POST TU 148A (AE 62919) AND POST TU 088A (AE 62343) BECOMES ITEM 010K POST TU 105 (AE 50922) RETROFIT ITEM 010 | | 1 |
| -010H | 0292860400 | | . PUMP AND METERING VALVE ASSY,ADJUSTED REPAIRABLE POST TU 148A (AE 62919) PRE TU 157 (AE 65137) AND POST TU 147 (AE 62899) | | 1 |

- ITEM NOT ILLUSTRATED

SAFRAN HELICOPTER ENGINES

ARRIEL 2 C2

MAINTENANCE SPARE PARTS CATALOG

| FIGURE ITEM | PART NUMBER | AIRL. STOCK No. | DESCRIPTION | EFFECT | QTY |
|----------------|-------------|-----------------------|--|--------|-----|
| | | | 1 2 3 4 5 6 7 | | |
| 01 | | | | | |
| -010J | 0292860230 | | . PUMP AND METERING VALVE ASSY,ADJUSTED REPAIRABLE POST TU 148A (AE 62919) BECOMES ITEM 010L POST TU 088A (AE 62343) RETROFIT ITEM 010C | | 1 |
| -010K | 0292861130 | | . PUMP AND METERING VALVE ASSY,ADJUSTED REPAIRABLE POST TU 088A (AE 62343) RETROFIT ITEM 010G POST TU 133 (AE 87080) BECOMES ITEM 010P POST TU 148A (AE 62919) RETROFIT ITEM 010G | | 1 |
| -010L | 0292861150 | | . PUMP AND METERING VALVE ASSY,ADJUSTED REPAIRABLE POST TU 148A (AE 62919) RETROFIT ITEM 010J | | 1 |
| -010M | 0292860950 | | . PUMP AND METERING VALVE ASSY,ADJUSTED REPAIRABLE POST TU 157 (AE 65137) PRE TU 133 (AE 87080) | | 1 |
| -010N | 0292861440 | | . PUMP AND METERING VALVE ASSY,ADJUSTED REPAIRABLE PRE TU 172 (AE 90110) POST TU 133 (AE 87080) | | 1 |
| -010P | 0292861430 | | . PUMP AND METERING VALVE ASSY,ADJUSTED REPAIRABLE POST TU 133 (AE 87080) RETROFIT ITEM 010K POST TU 172 (AE 90110) BECOMES ITEM 010R | | 1 |
| -010Q | 0292861920 | | . PUMP AND METERING VALVE ASSY,ADJUSTED REPAIRABLE PRE TU 178 (AE 89074) POST TU 172 (AE 90110) | | 1 |
| -010R | 0292862180 | | . PUMP AND METERING VALVE ASSY,ADJUSTED REPAIRABLE POST TU 172 (AE 90110) RETROFIT ITEM 010P POST TU82A (AE 49643) AND POST TU147 (AE 62899) AND POST TU157 (AE 65137) BECOMES ITEM 010U | | 1 |
| -010S | 0292862410 | | . PUMP AND METERING VALVE ASSY,ADJUSTED REPAIRABLE POST TU 178 (AE 89074) PRE TU 184 (AE 95561) | | 1 |
| -010T | 0292862640 | | . PUMP AND METERING VALVE ASSY,ADJUSTED REPAIRABLE POST TU 184 (AE 95561) | | 1 |

- ITEM NOT ILLUSTRATED

SAFRAN HELICOPTER ENGINES

ARRIEL 2 C2

MAINTENANCE SPARE PARTS CATALOG

| FIGURE ITEM | PART NUMBER | AIRL. STOCK No. | DESCRIPTION | EFFECT | QTY |
|----------------|-------------|-----------------------|---|--------|-----|
| | | | 1 2 3 4 5 6 7 | | |
| 01 -010U | 0292862820 | | . PUMP AND METERING VALVE ASSY,ADJUSTED REPAIRABLE POST TU82A (AE 49643) AND POST TU147 (AE 62899) AND POST TU157 (AE 65137) RETROFIT ITEM 010R REFER TO CHAP.73-23-08 FOR DETAILS ATTACHING PARTS | | 1 |
| 020 | 0268987150 | | . COLLAR ASSY | | 1 |
| 022 | 23350CA050 | | . . LOCK - VF0111 (9998050021) | | 1 |
| 024 | 9560169680 | | . . COLLAR - VF0215 (9560169680) | | 1 |
| 026 | 0268980110 | | . . HALF COLLAR *** | | 2 |

- ITEM NOT ILLUSTRATED

FIGURE NOT ILLUSTRATED

PUMP AND METERING VALVE ASSY,ADJUSTED
Figure 01

SAFRAN HELICOPTER ENGINES

ARRIEL 2 C2

MAINTENANCE SPARE PARTS CATALOG

| FIGURE ITEM | PART NUMBER | AIRL. STOCK No. | DESCRIPTION | EFFECT | QTY |
|----------------|-------------|-----------------------|---|--------|-----|
| | | | 1 2 3 4 5 6 7 | | |
| 01 -001 | 0292858300 | | PUMP AND METERING VALVE ASSY,ADJUSTED REPAIRABLE PRE TU 083A (AE 48205 AVT 2) POST TU 105 (AE 50922) AND POST TU 092 (AE 50282) BECOMES ITEM 001G POST TU 092 (AE 50282) BECOMES ITEM 001F PRE TU178 (AE 89074) PRE TU184 (AE 95561) | a | RF |
| -001A | 0292868050 | | PUMP AND METERING VALVE ASSY,ADJUSTED REPAIRABLE POST TU 083A (AE 48205 AVT 2) POST TU 105 (AE 50922) BECOMES ITEM 001D PRE TU 092 (AE 50282 AVT 2) | b | RF |
| -001B | 0292868040 | | PUMP AND METERING VALVE ASSY,ADJUSTED REPAIRABLE PRE TU 105 (AE 50922) POST TU 092 (AE 50282 AVT 2) | c | RF |
| -001C | 0292868350 | | PUMP AND METERING VALVE ASSY,ADJUSTED REPAIRABLE POST TU 105 (AE 50922) POST TU 088A (AE 62343) BECOMES ITEM 001J AND PRE TU 082A (AE 49643) PRE TU 088A (AE 62343) | d | RF |
| -001D | 0292868420 | | PUMP AND METERING VALVE ASSY,ADJUSTED REPAIRABLE POST TU 105 (AE 50922) RETROFIT ITEM 001A | e | RF |
| -001E | 0292868630 | | PUMP AND METERING VALVE ASSY,ADJUSTED REPAIRABLE POST TU 088A (AE 62343) AND PRE TU 148A (AE 62919) PRE TU 147 (AE 62899) AND POST TU 082A (AE 49643) | f | RF |
| -001F | 0292850010 | | PUMP AND METERING VALVE ASSY,ADJUSTED REPAIRABLE POST TU 092 (AE 50282) RETROFIT ITEM 001 | g | RF |
| -001G | 0292850020 | | PUMP AND METERING VALVE ASSY,ADJUSTED REPAIRABLE POST TU 092 (AE 50282) RETROFIT ITEM 001 POST TU 148A (AE 62919) AND POST TU 088A (AE 62343) BECOMES ITEM 001K POST TU 105 (AE 50922) RETROFIT ITEM 001 | h | RF |
| -001H | 0292860400 | | PUMP AND METERING VALVE ASSY,ADJUSTED REPAIRABLE POST TU 147 (AE 62899) PRE TU 157 (AE 65137) AND POST TU 148A (AE 62919) | i | RF |

- ITEM NOT ILLUSTRATED

SAFRAN HELICOPTER ENGINES

ARRIEL 2 C2

MAINTENANCE SPARE PARTS CATALOG

| FIGURE ITEM | PART NUMBER | AIRL. STOCK No. | DESCRIPTION | EFFECT | QTY |
|----------------|-------------|-----------------------|---|--------|-----|
| | | | 1 2 3 4 5 6 7 | | |
| 01 | | | | | |
| -001J | 0292860230 | | PUMP AND METERING VALVE ASSY,ADJUSTED REPAIRABLE POST TU 148A (AE 62919) BECOMES ITEM 001L POST TU 088A (AE 62343) RETROFIT ITEM 001C | j | RF |
| -001K | 0292861130 | | PUMP AND METERING VALVE ASSY,ADJUSTED REPAIRABLE POST TU 088A (AE 62343) RETROFIT ITEM 001G POST TU 133 (AE 87080) BECOMES ITEM 001P POST TU 148A (AE 62919) RETROFIT ITEM 001G | k | RF |
| -001L | 0292861150 | | PUMP AND METERING VALVE ASSY,ADJUSTED REPAIRABLE POST TU 148A (AE 62919) RETROFIT ITEM 001J | l | RF |
| -001M | 0292860950 | | PUMP AND METERING VALVE ASSY,ADJUSTED REPAIRABLE POST TU 157 (AE 65137) PRE TU 133 (AE 87080) | m | RF |
| -001N | 0292861440 | | PUMP AND METERING VALVE ASSY,ADJUSTED REPAIRABLE PRE TU 172 (AE 90110) POST TU 133 (AE 87080) | n | RF |
| -001P | 0292861430 | | PUMP AND METERING VALVE ASSY,ADJUSTED REPAIRABLE POST TU 172 (AE 90110) BECOMES ITEM 001R POST TU 133 (AE 87080) RETROFIT ITEM 001K | o | RF |
| -001Q | 0292861920 | | PUMP AND METERING VALVE ASSY,ADJUSTED REPAIRABLE PRE TU 178 (AE 89074) POST TU 172 (AE 90110) | p | RF |
| -001R | 0292862180 | | PUMP AND METERING VALVE ASSY,ADJUSTED REPAIRABLE POST TU 172 (AE 90110) RETROFIT ITEM 001P POST TU82A (AE 49643) AND POST TU147 (AE 62899) AND POST TU157 (AE 65137) BECOMES ITEM 001U | q | RF |
| -001S | 0292862410 | | PUMP AND METERING VALVE ASSY,ADJUSTED REPAIRABLE PRE TU 184 (AE 95561) POST TU 178 (AE 89074) | r | RF |
| -001T | 0292862640 | | PUMP AND METERING VALVE ASSY,ADJUSTED REPAIRABLE POST TU 184 (AE 95561) | s | RF |

- ITEM NOT ILLUSTRATED

SAFRAN HELICOPTER ENGINES

ARRIEL 2 C2

MAINTENANCE SPARE PARTS CATALOG

| FIGURE ITEM | PART NUMBER | AIRL. STOCK No. | DESCRIPTION | EFFECT | QTY |
|----------------|-------------|-----------------------|---|--------|-----|
| | | | 1 2 3 4 5 6 7 | | |
| 01 | | | | | |
| -001U | 0292862820 | | PUMP AND METERING VALVE ASSY,ADJUSTED REPAIRABLE POST TU82A (AE 49643) AND POST TU147 (AE 62899) AND POST TU157 (AE 65137) RETROFIT ITEM 001R REFER TO CHAP. 73-23-00 FIG.01 ITEM 010 | t | RF |
| -100 | 0292925670 | | . PUMP AND METERING VALVE ASSY NON PROCURABLE PRE TU 083A (AE 48205 AVT 2) POST TU 105 (AE 50922) AND POST TU 092 (AE 50282) BECOMES ITEM 100G POST TU 092 (AE 50282) BECOMES ITEM 100F | a | 1 |
| -100A | 0292925970 | | . PUMP AND METERING VALVE ASSY NON PROCURABLE POST TU 083A (AE 48205 AVT 2) POST TU 105 (AE 50922) BECOMES ITEM 100D PRE TU 092 (AE 50282 AVT 2) | b | 1 |
| -100B | 0292925960 | | . PUMP AND METERING VALVE ASSY NON PROCURABLE PRE TU 105 (AE 50922) POST TU 092 (AE 50282 AVT 2) | c | 1 |
| -100C | 0292865050 | | . PUMP AND METERING VALVE ASSY NON PROCURABLE POST TU 105 (AE 50922) POST TU 088A (AE 62343) BECOMES ITEM 100J AND PRE TU 082A (AE 49643) PRE TU 088A (AE 62343) | d | 1 |
| -100D | - | | . PUMP AND METERING VALVE ASSY NON PROCURABLE POST TU 105 (AE 50922) RETROFIT ITEM 100A | e | 1 |
| -100E | 0292865150 | | . PUMP AND METERING VALVE ASSY NON PROCURABLE POST TU 088A (AE 62343) AND PRE TU 148A (AE 62919) PRE TU 147 (AE 62899) AND POST TU 082A (AE 49643) | f | 1 |
| -100F | 0292920010 | | . PUMP AND METERING VALVE ASSY NON PROCURABLE POST TU 092 (AE 50282) RETROFIT ITEM 100 | g | 1 |
| -100G | 0292920060 | | . PUMP AND METERING VALVE ASSY NON PROCURABLE POST TU 148A (AE 62919) AND POST TU 088A (AE 62343) BECOMES ITEM 100K POST TU 105 (AE 50922) AND POST TU 092 (AE 50282) RETROFIT ITEM 100 | h | 1 |

- ITEM NOT ILLUSTRATED

SAFRAN HELICOPTER ENGINES

ARRIEL 2 C2

MAINTENANCE SPARE PARTS CATALOG

| FIGURE ITEM | PART NUMBER | AIRL. STOCK No. | DESCRIPTION | EFFECT | QTY |
|----------------|-------------|-----------------------|---|--------|-----|
| | | | 1 2 3 4 5 6 7 | | |
| 01 -100H | 0292860390 | | . PUMP AND METERING VALVE ASSY NON PROCURABLE POST TU 147 (AE 62899) PRE TU 157 (AE 65137) AND POST TU 148A (AE 62919) | i | 1 |
| -100J | 0292860240 | | . PUMP AND METERING VALVE ASSY NON PROCURABLE POST TU 148A (AE 62919) BECOMES ITEM 100L POST TU 088A (AE 62343) RETROFIT ITEM 100C | j | 1 |
| -100K | 0292861140 | | . PUMP AND METERING VALVE ASSY NON PROCURABLE POST TU 148A (AE 62919) AND POST TU 088A (AE 62343) RETROFIT ITEM 100G | k | 1 |
| -100L | 0292861160 | | . PUMP AND METERING VALVE ASSY NON PROCURABLE POST TU 148A (AE 62919) RETROFIT ITEM 100J | l | 1 |
| -100M | 0292860920 | | . PUMP AND METERING VALVE ASSY NON PROCURABLE PRE TU 133 (AE 87080) POST TU 157 (AE 65137) | m | 1 |
| -100N | 0292861560 | | . PUMP AND METERING VALVE ASSY NON PROCURABLE PRE TU 172 (AE 90110) POST TU 133 (AE 87080) | n | 1 |
| -100P | 0292861600 | | . PUMP AND METERING VALVE ASSY NON PROCURABLE POST TU 133 (AE 87080) RETROFIT ITEM 100K | o | 1 |
| -100Q | 0292861910 | | . PUMP AND METERING VALVE ASSY PRE TU 178 (AE 89074) POST TU 172 (AE 90110) | p | 1 |
| -100R | 0292862170 | | . PUMP AND METERING VALVE ASSY POST TU 172 (AE 90110) RETROFIT ITEM 100P POST TU82A (AE 49643) AND POST TU147 (AE 62899) AND POST TU157 (AE 65137) BECOMES ITEM 100U | q | 1 |
| -100S | 0292862220 | | . PUMP AND METERING VALVE ASSY PRE TU 184 (AE 95561) POST TU 178 (AE 89074) | r | 1 |
| -100T | 0292862710 | | . PUMP AND METERING VALVE ASSY POST TU 184 (AE 95561) | s | 1 |

- ITEM NOT ILLUSTRATED

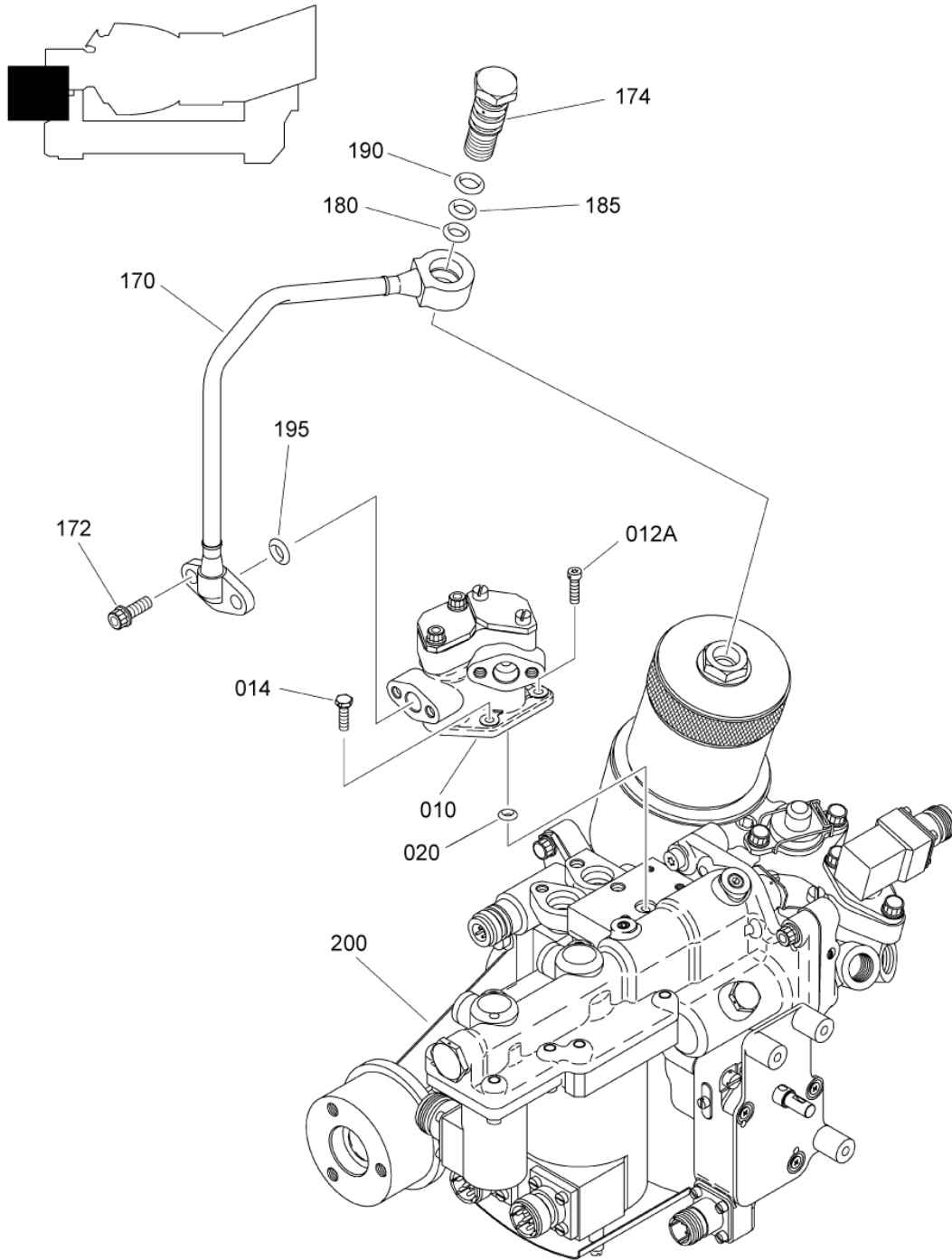
SAFRAN HELICOPTER ENGINES

ARRIEL 2 C2

MAINTENANCE SPARE PARTS CATALOG

| FIGURE ITEM | PART NUMBER | AIRL. STOCK No. | DESCRIPTION | EFFECT | QTY |
|----------------|-------------|-----------------------|--|--------|-----|
| | | | 1 2 3 4 5 6 7 | | |
| 01 -100U | 0292862830 | | . PUMP AND METERING VALVE ASSY REPAIRABLE POST TU82A (AE 49643) AND POST TU147 (AE 62899) AND POST TU157 (AE 65137) RETROFIT ITEM 100R REFER TO FIG.02 FOR DETAILS | t | 1 |

- ITEM NOT ILLUSTRATED



PUMP AND METERING VALVE ASSY
Figure 02

SAFRAN HELICOPTER ENGINES

ARRIEL 2 C2

MAINTENANCE SPARE PARTS CATALOG

| FIGURE ITEM | PART NUMBER | AIRL. STOCK No. | DESCRIPTION | EFFECT | QTY |
|----------------|-------------|-----------------------|---|--------|-----|
| | | | 1 2 3 4 5 6 7 | | |
| 02 -001 | 0292925670 | | PUMP AND METERING VALVE ASSY NON PROCURABLE PRE TU 083A (AE 48205 AVT 2) POST TU 105 (AE 50922) AND POST TU 092 (AE 50282) BECOMES ITEM 001G POST TU 092 (AE 50282) BECOMES ITEM 001F | a | RF |
| -001A | 0292925970 | | PUMP AND METERING VALVE ASSY NON PROCURABLE POST TU 083A (AE 48205 AVT 2) POST TU 105 (AE 50922) BECOMES ITEM 001D PRE TU 092 (AE 50282 AVT 2) | b | RF |
| -001B | 0292925960 | | PUMP AND METERING VALVE ASSY NON PROCURABLE PRE TU 105 (AE 50922) POST TU 092 (AE 50282 AVT 2) | c | RF |
| -001C | 0292865050 | | PUMP AND METERING VALVE ASSY NON PROCURABLE POST TU 105 (AE 50922) POST TU 088A (AE 62343) BECOMES ITEM 001J AND PRE TU 082A (AE 49643) PRE TU 088A (AE 62343) | d | RF |
| -001D | - | | PUMP AND METERING VALVE ASSY NON PROCURABLE POST TU 105 (AE 50922) RETROFIT ITEM 001A | e | RF |
| -001E | 0292865150 | | PUMP AND METERING VALVE ASSY NON PROCURABLE POST TU 088A (AE 62343) AND PRE TU 148A (AE 62919) PRE TU 147 (AE 62899) AND POST TU 082A (AE 49643) | f | RF |
| -001F | 0292920010 | | PUMP AND METERING VALVE ASSY NON PROCURABLE POST TU 092 (AE 50282) RETROFIT ITEM 001 | g | RF |
| -001G | 0292920060 | | PUMP AND METERING VALVE ASSY NON PROCURABLE POST TU 148A (AE 62919) AND POST TU 088A (AE 62343) BECOMES ITEM 001K POST TU 105 (AE 50922) AND POST TU 092 (AE 50282) RETROFIT ITEM 001 | h | RF |
| -001H | 0292860390 | | PUMP AND METERING VALVE ASSY NON PROCURABLE POST TU 147 (AE 62899) PRE TU 157 (AE 65137) AND POST TU 148A (AE 62919) | i | RF |

- ITEM NOT ILLUSTRATED

SAFRAN HELICOPTER ENGINES

ARRIEL 2 C2

MAINTENANCE SPARE PARTS CATALOG

| FIGURE ITEM | PART NUMBER | AIRL. STOCK No. | DESCRIPTION | EFFECT | QTY |
|----------------|-------------|-----------------------|---|--------|-----|
| | | | 1 2 3 4 5 6 7 | | |
| 02 -001J | 0292860240 | | PUMP AND METERING VALVE ASSY NON PROCURABLE POST TU 148A (AE 62919) BECOMES ITEM 001L POST TU 088A (AE 62343) RETROFIT ITEM 001C | j | RF |
| -001K | 0292861140 | | PUMP AND METERING VALVE ASSY NON PROCURABLE POST TU 148A (AE 62919) AND POST TU 088A (AE 62343) RETROFIT ITEM 001G | k | RF |
| -001L | 0292861160 | | POST TU 133 (AE 87080) BECOMES ITEM 001P PUMP AND METERING VALVE ASSY NON PROCURABLE POST TU 148A (AE 62919) RETROFIT ITEM 001J | l | RF |
| -001M | 0292860920 | | PUMP AND METERING VALVE ASSY NON PROCURABLE PRE TU 133 (AE 87080) POST TU 157 (AE 65137) | m | RF |
| -001N | 0292861560 | | PUMP AND METERING VALVE ASSY NON PROCURABLE PRE TU 172 (AE 90110) POST TU 133 (AE 87080) | n | RF |
| -001P | 0292861600 | | PUMP AND METERING VALVE ASSY NON PROCURABLE POST TU 133 (AE 87080) RETROFIT ITEM 001K POST TU 172 (AE 90110) BECOMES ITEM 001R | o | RF |
| -001Q | 0292861910 | | PUMP AND METERING VALVE ASSY PRE TU 178 (AE 89074) POST TU 172 (AE 90110) | p | RF |
| -001R | 0292862170 | | PUMP AND METERING VALVE ASSY POST TU 172 (AE 90110) RETROFIT ITEM 001P POST TU82A (AE 49643) AND POST TU147 (AE 62899) AND POST TU157 (AE 65137) BECOMES ITEM 001U | q | RF |
| -001S | 0292862220 | | PUMP AND METERING VALVE ASSY PRE TU 184 (AE 95561) POST TU 178 (AE 89074) | r | RF |
| -001T | 0292862710 | | PUMP AND METERING VALVE ASSY POST TU 184 (AE 95561) | s | RF |
| -001U | 0292862830 | | PUMP AND METERING VALVE ASSY REPAIRABLE POST TU82A (AE 49643) AND POST TU147 (AE 62899) AND POST TU157 (AE 65137) RETROFIT ITEM 001R REFER TO FIG. 01 ITEM 100 | t | RF |
| 010 | 0292845040 | | . VALVE,BLEED | | 1 |

- ITEM NOT ILLUSTRATED

SAFRAN HELICOPTER ENGINES

ARRIEL 2 C2

MAINTENANCE SPARE PARTS CATALOG

| FIGURE ITEM | PART NUMBER | AIRL. STOCK No. | DESCRIPTION | EFFECT | QTY |
|----------------|----------------|-----------------------|---|---------------------|-----|
| | | | 1 2 3 4 5 6 7 | | |
| 02 | | | ATTACHING PARTS | | |
| -012 | 22296CF040014E | | . SCREW - VF0111 (9848401429) PRE ACR (AE 27324) | | 2 |
| 012A | 9837204014 | | . SCREW POST ACR (AE 27324) | | 2 |
| 014 | 22209BC040014L | | . SCREW - VF0111 (9817041414) PRE ACR (AE 66583) | | 1 |
| -014A | 22145CM040014E | | . SCREW - VF0111 (9806041425) POST ACR (AE 66583) *** | | 1 |
| 020 | 9794710053 | | . PACKING,PREFORMED | | 1 |
| -150 | 0292845200 | | . METERING VALVE ASSY,FUEL NON PROCURABLE POST TU 105 (AE 50922) BECOMES ITEM 150D PRE TU 083A (AE 48205 AVT 2) | a, g | 1 |
| -150A | 0292845310 | | . METERING VALVE ASSY,FUEL NON PROCURABLE PRE TU 105 (AE 50922) POST TU 083A (AE 48205 AVT 2) | b, c | 1 |
| -150B | 0292845350 | | . METERING VALVE ASSY,FUEL NON PROCURABLE POST TU 105 (AE 50922) PRE TU 082A (AE 49643) PRE TU 088A (AE 62343) | d, e | 1 |
| -150C | 0292840060 | | . METERING VALVE ASSY,FUEL NON PROCURABLE POST TU 082A (AE 16469) POST TU 088A (AE 62343) PRE TU 148A (AE 62919) | f, j | 1 |
| -150D | 0292840050 | | . METERING VALVE ASSY,FUEL NON PROCURABLE POST TU 105 (AE 50922) RETROFIT ITEM 150 POST TU 148A (AE 62919) AND POST TU 088A (AE 62343) BECOMES ITEM 150F | h | 1 |
| -150E | 0292840380 | | . METERING VALVE ASSY,FUEL NON PROCURABLE POST TU 148A (AE 62919) | i, l, m, n, r, s | 1 |
| -150F | 0292840790 | | . METERING VALVE ASSY,FUEL NON PROCURABLE POST TU 148A (AE 62919) AND POST TU 088A (AE 62343) RETROFIT ITEM 150D | k | 1 |
| -150G | 0292841840 | | . METERING VALVE ASSY,FUEL REFER TO FIG.04 FOR DETAILS | o, q, t | 1 |
| 170 | 0292737730 | | . PIPE, STARTING DRAIN | | 1 |
| 172 | EN3686050014 | | ATTACHING PARTS . SCREW - VI9005 (9836405014) | | 2 |

- ITEM NOT ILLUSTRATED

SAFRAN HELICOPTER ENGINES

ARRIEL 2 C2

MAINTENANCE SPARE PARTS CATALOG

| FIGURE ITEM | PART NUMBER | AIRL. STOCK No. | DESCRIPTION | EFFECT | QTY |
|----------------|-------------|-----------------------|---|------------------------|-----|
| | | | 1 2 3 4 5 6 7 | | |
| 02 | | | | | |
| 174 | 0292941820 | | . BOLT,HOLLOW PRE ACR (AE 51515) POST ACR (AE 51515) BECOMES ITEM 174B | | 1 |
| -174A | 0292911520 | | . BOLT,HOLLOW POST ACR (AE 51515) | | 1 |
| -174B | 0292911650 | | . BOLT,HOLLOW POST ACR (AE 51515) RETROFIT ITEM 174 *** | | 1 |
| 180 | 9794710075 | | . PACKING,PREFORMED | | 1 |
| 185 | 9794710080 | | . PACKING,PREFORMED | | 1 |
| 190 | 9794710088 | | . PACKING,PREFORMED | | 1 |
| 195 | 46012A00630 | | . PACKING,PREFORMED - VF0111 (9794410063) | | 1 |
| 200 | 0292915330 | | . PUMP ASSY,HP/LP NON PROCURABLE PRE TU 092 (AE 50282 AVT 2) | a, b, e | 1 |
| -200A | 0292915450 | | . PUMP ASSY,HP/LP NON PROCURABLE POST TU 092 (AE 50282 AVT 2) POST TU 133 (AE 87080) BECOMES ITEM 200F PRE TU 082A (AE 49643) | c, d, g, h, j, k, l | 1 |
| -200B | 0292915600 | | . PUMP ASSY,HP/LP NON PROCURABLE PRE TU 147 (AE 62899) POST TU 082A (AE 49643) | f | 1 |
| -200C | 0292910300 | | . PUMP ASSY,HP/LP NON PROCURABLE PRE TU 157 (AE 65137) POST TU 147 (AE 62899) | i | 1 |
| -200D | 0292910740 | | . PUMP ASSY,HP/LP NON PROCURABLE PRE TU 133 (AE 87080) POST TU 157 (AE 65137) | m | 1 |
| -200E | 0292911730 | | . PUMP ASSY,HP/LP NON PROCURABLE PRE TU 172 (AE 90110) POST TU 133 (AE 87080) | n | 1 |
| -200F | 0292911790 | | . PUMP ASSY,HP/LP NON PROCURABLE POST TU 172 (AE 90110) BECOMES ITEM 200H POST TU 133 (AE 87080) RETROFIT ITEM 200A | o | 1 |
| -200G | 0292912080 | | . PUMP ASSY,HP/LP PRE TU 178 (AE 89074) POST TU 172 (AE 90110) | p | 1 |
| -200H | 0292912160 | | . PUMP ASSY,HP/LP POST TU 172 (AE 90110) RETROFIT ITEM 200F | q, t | 1 |

- ITEM NOT ILLUSTRATED

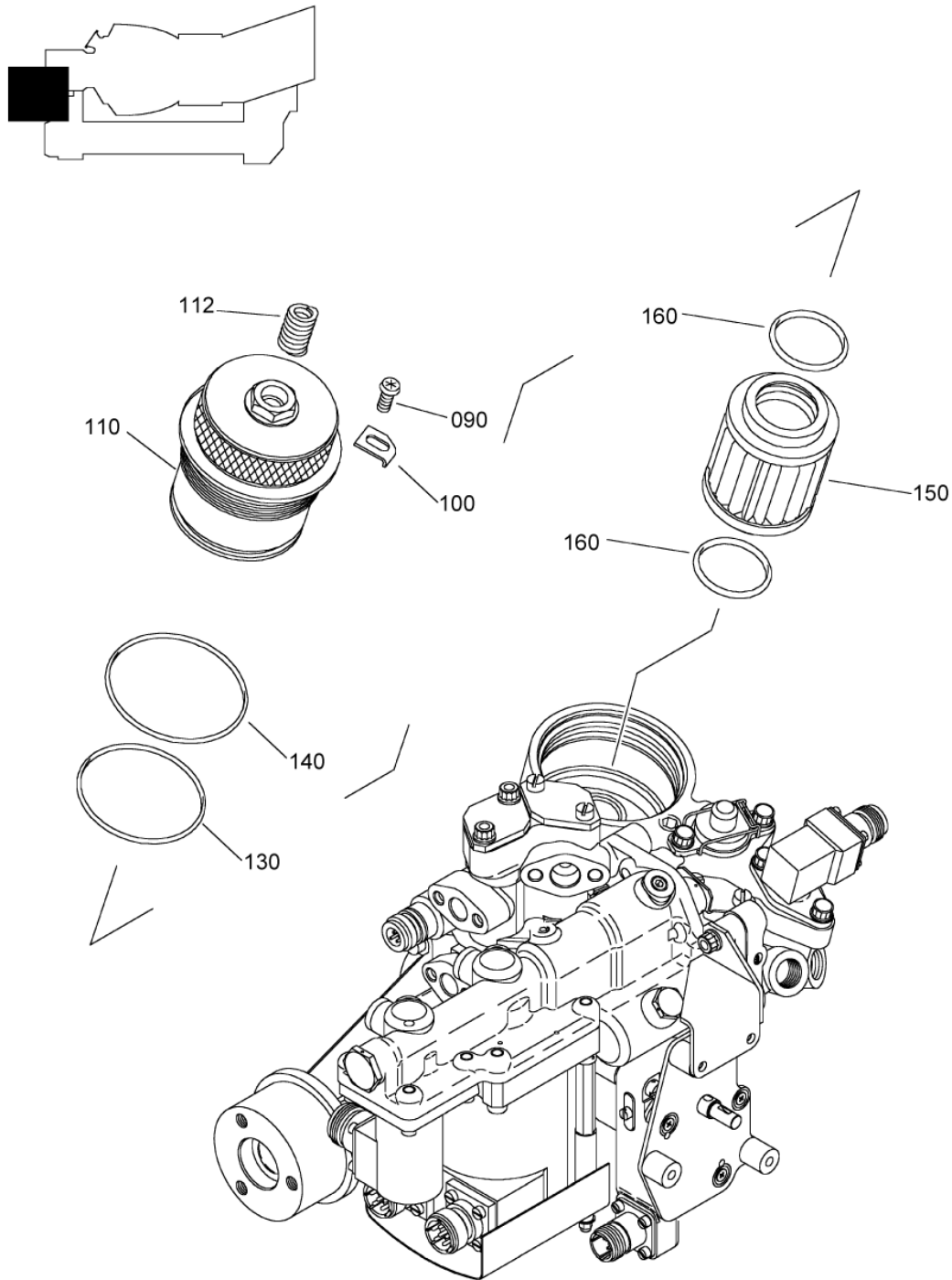
SAFRAN HELICOPTER ENGINES

ARRIEL 2 C2

MAINTENANCE SPARE PARTS CATALOG

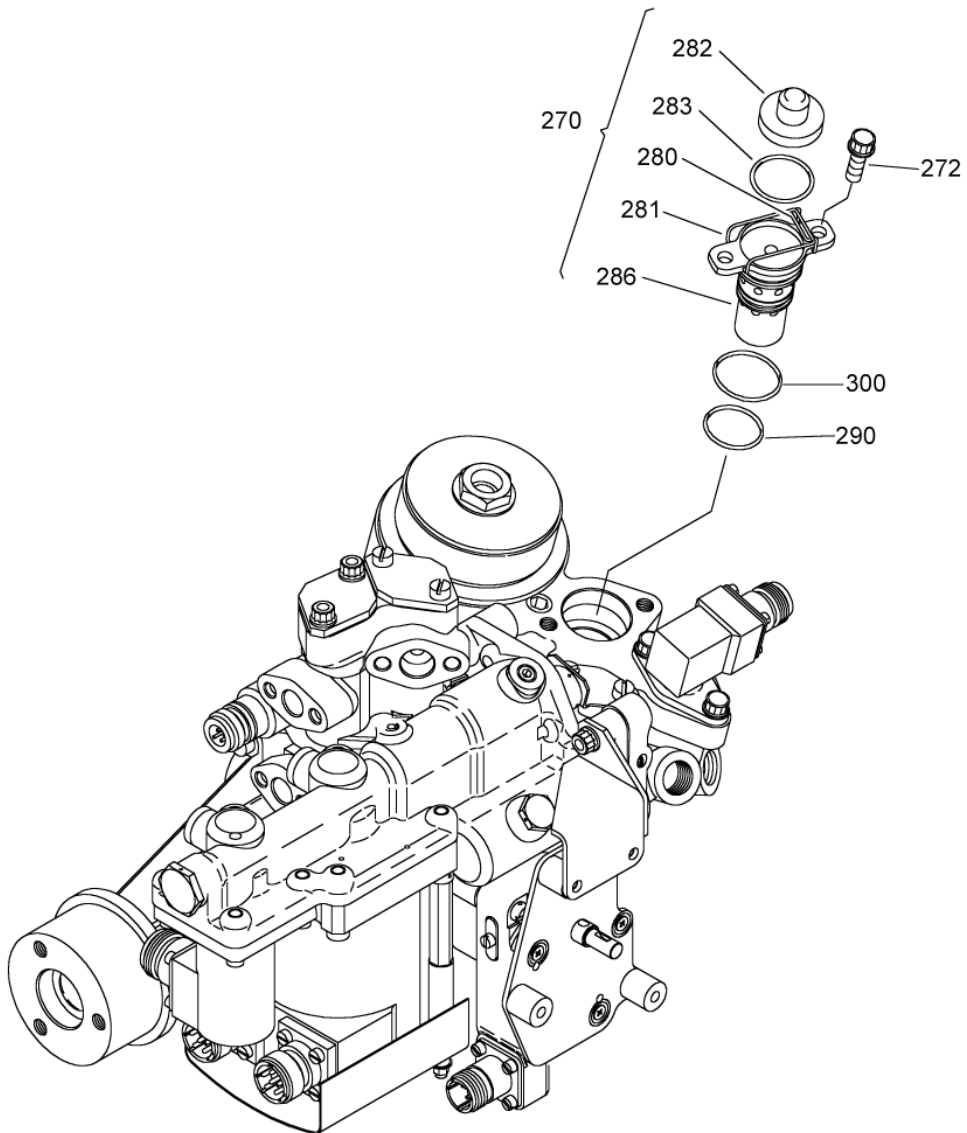
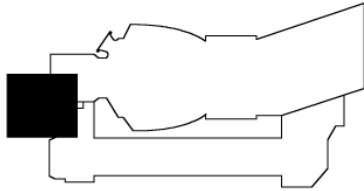
| FIGURE ITEM | PART NUMBER | AIRL. STOCK No. | DESCRIPTION | EFFECT | QTY |
|----------------|-------------|-----------------------|--|--------|-----|
| | | | 1 2 3 4 5 6 7 | | |
| 02 -200J | 0292912480 | | . PUMP ASSY,HP/LP POST TU 178 (AE 89074) PRE TU 184 (AE 95561) | r | 1 |
| -200K | 0292912590 | | . PUMP ASSY,HP/LP POST TU 184 (AE 95561) REFER TO FIG.03 FOR DETAILS | s | 1 |

- ITEM NOT ILLUSTRATED



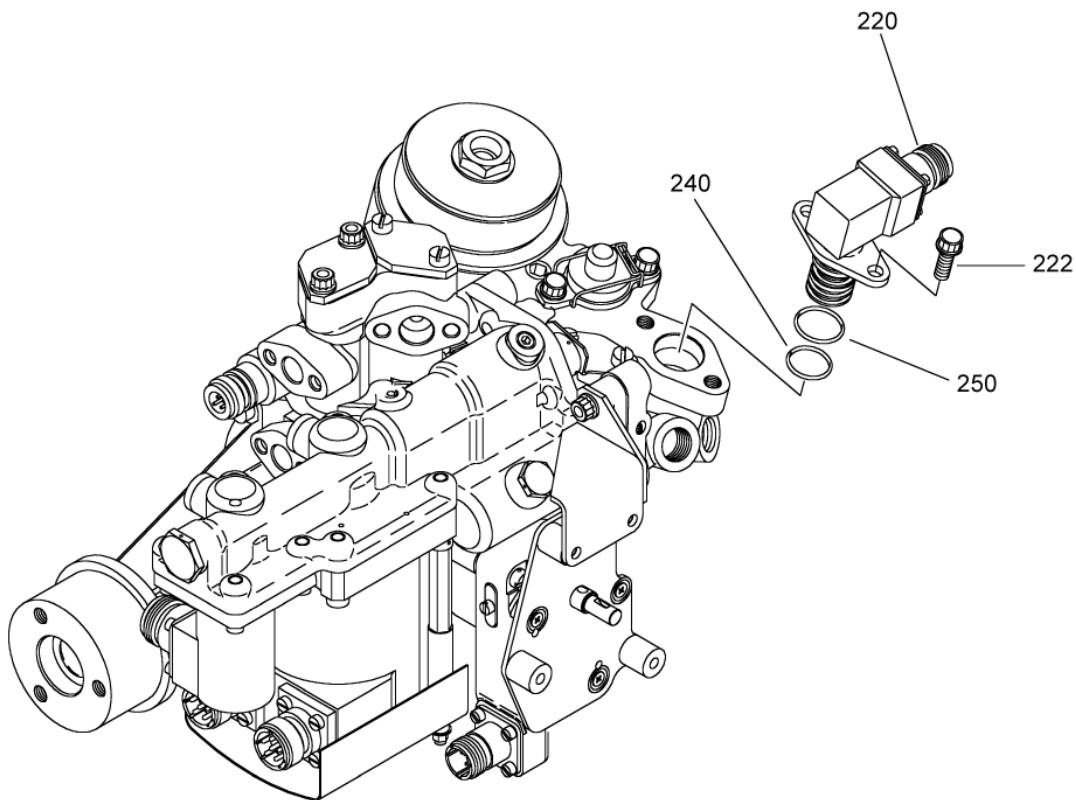
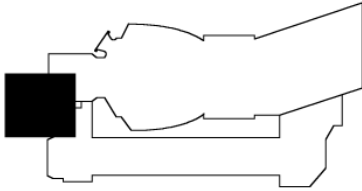
PUMP ASSY,HP/LP
Figure 03 (Sheet 1/6)

PAGE LEFT BLANK INTENTIONALLY



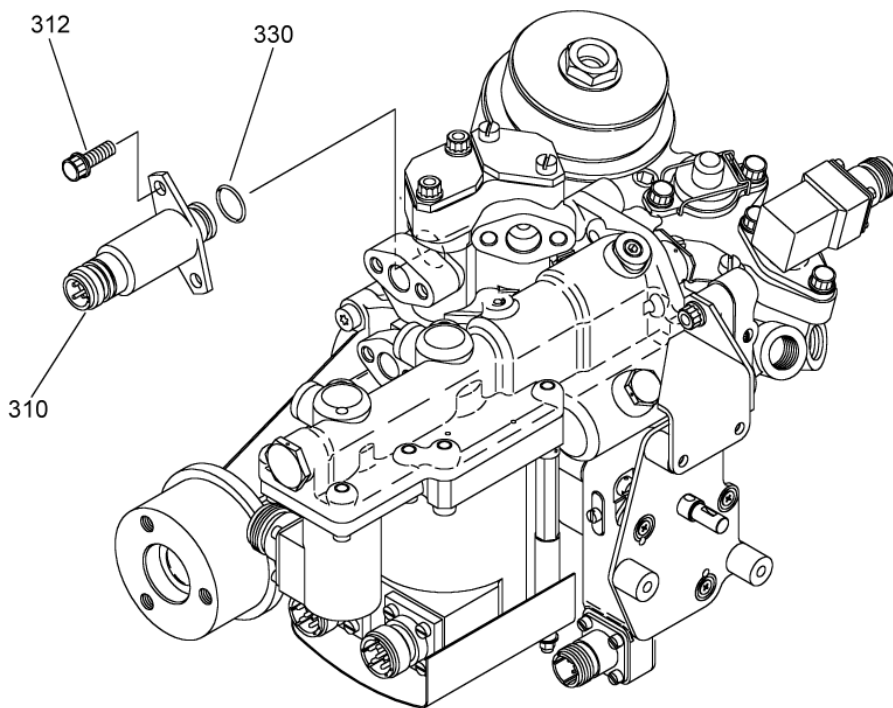
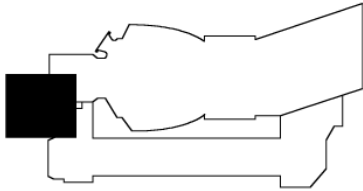
PUMP ASSY,HP/LP
Figure 03 (Sheet 2/6)

PAGE LEFT BLANK INTENTIONALLY



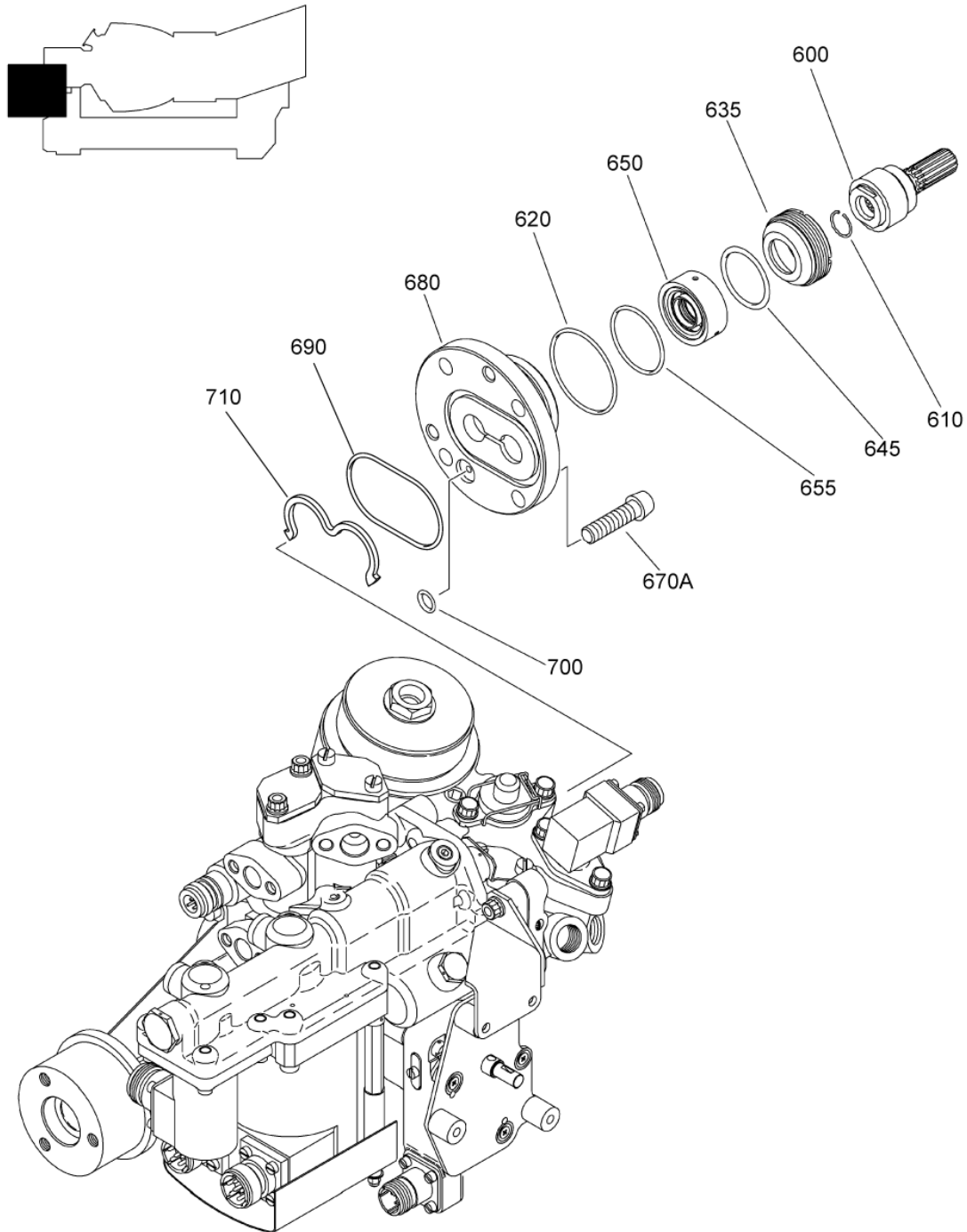
PUMP ASSY,HP/LP
Figure 03 (Sheet 3/6)

PAGE LEFT BLANK INTENTIONALLY



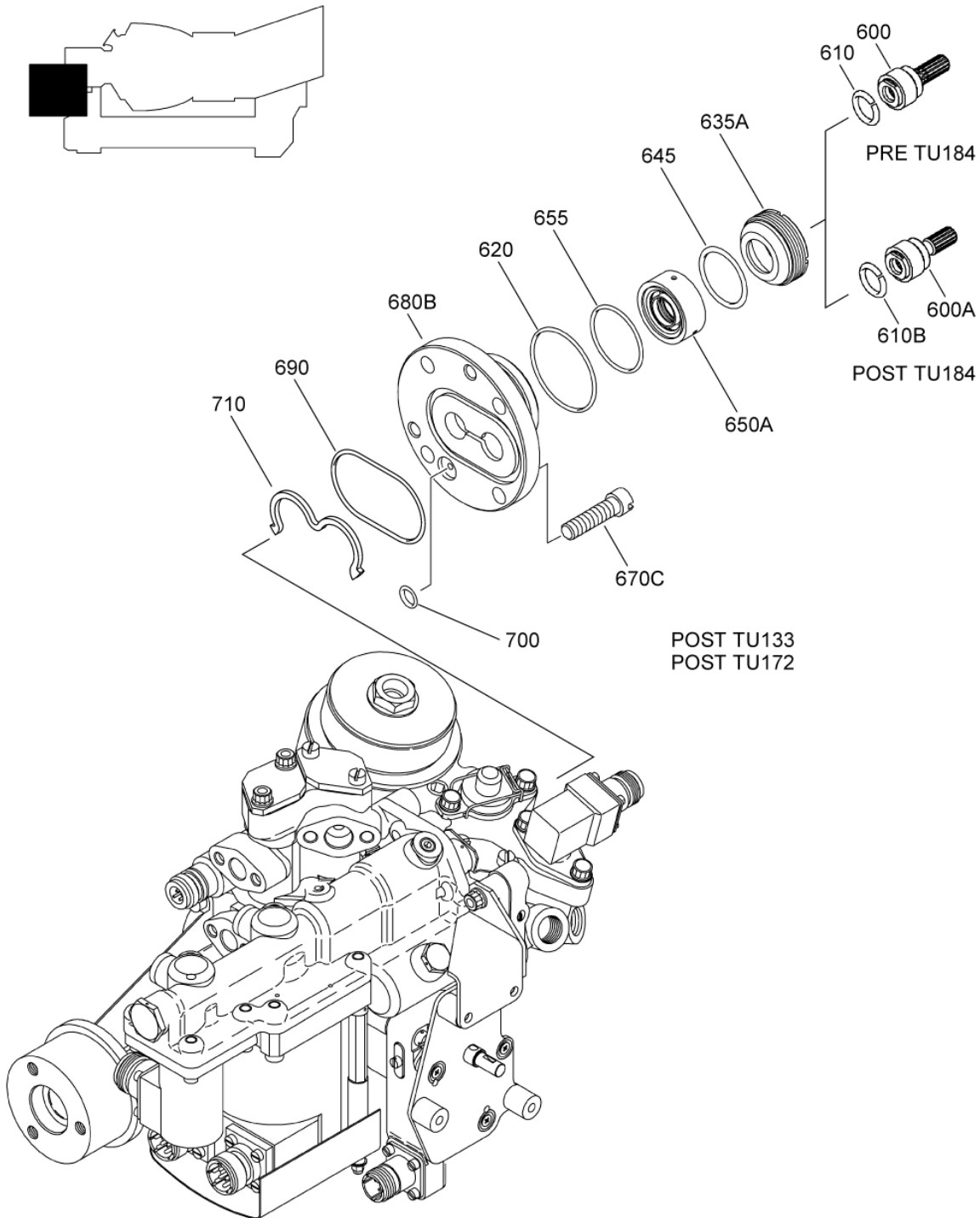
PUMP ASSY,HP/LP
Figure 03 (Sheet 4/6)

PAGE LEFT BLANK INTENTIONALLY



PUMP ASSY,HP/LP
Figure 03 (Sheet 5/6)

PAGE LEFT BLANK INTENTIONALLY



PUMP ASSY,HP/LP
Figure 03 (Sheet 6/6)

SAFRAN HELICOPTER ENGINES

ARRIEL 2 C2

MAINTENANCE SPARE PARTS CATALOG

| FIGURE ITEM | PART NUMBER | AIRL. STOCK No. | DESCRIPTION | EFFECT | QTY |
|----------------|--------------|-----------------------|---|--------|-----|
| | | | 1 2 3 4 5 6 7 | | |
| 03 | | | | | |
| -001 | 0292915330 | | PUMP ASSY,HP/LP NON PROCURABLE PRE TU 092 (AE 50282 AVT 2) | a | RF |
| -001A | 0292915450 | | PUMP ASSY,HP/LP NON PROCURABLE POST TU 092 (AE 50282 AVT 2) POST TU 133 (AE 87080) BECOMES ITEM 001F PRE TU 082A (AE 49643) | b | RF |
| -001B | 0292915600 | | PUMP ASSY,HP/LP NON PROCURABLE PRE TU 147 (AE 62899) POST TU 082A (AE 49643) | c | RF |
| -001C | 0292910300 | | PUMP ASSY,HP/LP NON PROCURABLE PRE TU 157 (AE 65137) POST TU 147 (AE 62899) | d | RF |
| -001D | 0292910740 | | PUMP ASSY,HP/LP NON PROCURABLE PRE TU 133 (AE 87080) POST TU 157 (AE 65137) | e | RF |
| -001E | 0292911730 | | PUMP ASSY,HP/LP NON PROCURABLE PRE TU 172 (AE 90110) POST TU 133 (AE 87080) | f | RF |
| -001F | 0292911790 | | PUMP ASSY,HP/LP NON PROCURABLE POST TU 172 (AE 90110) BECOMES ITEM 001H POST TU 133 (AE 87080) RETROFIT ITEM 001A | g | RF |
| -001G | 0292912080 | | PUMP ASSY,HP/LP PRE TU 178 (AE 89074) POST TU 172 (AE 90110) | h | RF |
| -001H | 0292912160 | | PUMP ASSY,HP/LP POST TU 172 (AE 90110) RETROFIT ITEM 001F | i | RF |
| -001J | 0292912480 | | PUMP ASSY,HP/LP POST TU 178 (AE 89074) PRE TU 184 (AE 95561) | j | RF |
| -001K | 0292912590 | | PUMP ASSY,HP/LP POST TU 184 (AE 95561) REFER TO FIG. 02 ITEM 200 | k | RF |
| 090 | EN3686050012 | | . SCREW - VI9005 (9836405012) PRE ACR (AE 49472) | | 1 |
| 100 | 0319910660 | | . STOP PRE ACR (AE 49472) | | 1 |
| 110 | 0292917240 | | . COVER ASSY | | 1 |
| 112 | 01329080501 | | . . THREAD,INSERT - VF1699 (9728081253) | | 1 |
| 130 | 46012B04750 | | . PACKING,PREFORMED - VF0111 (9794420475) | | 1 |
| 140 | 46012B05300 | | . PACKING,PREFORMED - VF0111 (9794420530) PRE ACR (AE 76233) | | 1 |

- ITEM NOT ILLUSTRATED

SAFRAN HELICOPTER ENGINES

ARRIEL 2 C2

MAINTENANCE SPARE PARTS CATALOG

| FIGURE ITEM | PART NUMBER | AIRL. STOCK No. | DESCRIPTION | EFFECT | QTY |
|----------------|-----------------|-----------------------|---|----------------------|-----|
| | | | 1 2 3 4 5 6 7 | | |
| 03 | | | | | |
| -140A | 46012B05450 | | . PACKING,PREFORMED - VF0111 (9794420545) POST ACR (AE 76233) | | 1 |
| 150 | CAO1698A | | . ELEMENT,FILTERING - VF0559 (9560171610) NON REPAIRABLE | | 1 |
| 160 | 46012C02500 | | . PACKING,PREFORMED - VF0111 (9794430250) | | 2 |
| 220 | JA00592A | | . SWITCH,FUEL FILTER PRE-BLOCKAGE - VF0559 (9550172000) NON REPAIRABLE | | 1 |
| | | | ATTACHING PARTS | | |
| 222 | EN3686050014 | | . SCREW - VI9005 (9836405014) *** | | 2 |
| 240 | 9794710125 | | . PACKING,PREFORMED | | 1 |
| 250 | 9794710140 | | . PACKING,PREFORMED | | 1 |
| 270 | JA00537A | | . INDICATOR,VISUAL,BLOCKAGE - VF0559 (9560166910) NON REPAIRABLE | | 1 |
| | | | ATTACHING PARTS | | |
| 272 | EN3686050014 | | . SCREW - VI9005 (9836405014) *** | | 2 |
| 280 | 07550200106559A | | . . HOOK - VF0559 (9520011819) POST ACR (AE 49393) | | 1 |
| 281 | 07550200105559A | | . . RING,RETAINING - VF0559 (9520011820) POST ACR (AE 49393) | | 1 |
| 282 | PAO 1583 A | | . . COVER,TRANSPARENT - VF0559 (9520011817) POST ACR (AE 49393) | | 1 |
| 283 | 9520011818 | | . . PACKING,PREFORMED 9520011818 IS THE SAFRAN HE PART NUMBER FOR: VF0559 - AJ-0187701780EAO POST ACR (AE 49393) | | 1 |
| -283A | 46012A01800 | | . . PACKING,PREFORMED - VF0111 (9794410180) POST ACR (AE 49393) | | 1 |
| 286 | JA02052A | | . . INDICATOR,VISUAL,BLOCKAGE - VF0559 (9520011822) POST ACR (AE 49393) | | 1 |
| 290 | 9794710170 | | . PACKING,PREFORMED | | 1 |
| 300 | 9794710200 | | . PACKING,PREFORMED | | 1 |
| 310 | 1423-100 | | . SWITCH,LOW FUEL PRESSURE - VF1976 (9550171990) NON REPAIRABLE | a | 1 |
| | | | PRE TU 092 (AE 50282 AVT 2) | | |
| -310A | 8576-2 | | . SWITCH,LOW FUEL PRESSURE - V98505 (9550172810) NON REPAIRABLE NON PROCURABLE | a | 1 |
| | | | PRE TU 092 (AE 50282 AVT 2) | | |
| -310B | 1423-200 | | . SWITCH,LOW FUEL PRESSURE - VF1976 (9550179130) NON REPAIRABLE | b, c, d, e, f, g, | 1 |
| | | | POST TU 092 (AE 50282 AVT 2) | h, i, j, k | |
| -310C | 8576-3 | | . SWITCH,LOW FUEL PRESSURE - V98505 (9550179560) NON REPAIRABLE | b, c, d, e, f, g, | 1 |
| | | | POST ACR (AE 48931) | h, i, j, k | |

- ITEM NOT ILLUSTRATED

SAFRAN HELICOPTER ENGINES

ARRIEL 2 C2

MAINTENANCE SPARE PARTS CATALOG

| FIGURE ITEM | PART NUMBER | AIRL. STOCK No. | DESCRIPTION | EFFECT | QTY |
|----------------|-----------------|-----------------------|---|---------------------|-----|
| | | | 1 2 3 4 5 6 7 | | |
| 03 | | | ATTACHING PARTS | | |
| 312 | EN3686050014 | | . SCREW - VI9005 (9836405014) *** | | 2 |
| 330 | 9794710106 | | . PACKING,PREFORMED | | 1 |
| 600 | 0319917320 | | . SLEEVE ASSY PRE TU 184 (AE 95561) | | 1 |
| 600A | 0292912670 | | . SLEEVE ASSY POST TU 184 (AE 95561) PRE ACR (AE 98777) | | 1 |
| -600B | 0292912700 | | . SLEEVE ASSY POST ACR (AE 98777) | | 1 |
| 610 | 0319910100 | | . RING,RETAINING PRE ACR (AE 51516) | | 1 |
| -610A | 0319911340 | | . RING,RETAINING PRE TU 184 (AE 95561) POST ACR (AE 51516) | | 1 |
| 610B | 46012A00530 | | . PACKING,PREFORMED - VF0111 (9794410053) POST TU 184 (AE 95561) | | 1 |
| 620 | 46012A02360 | | . PACKING,PREFORMED - VF0111 (9794410236) PRE ACR (AE 64893) | | 1 |
| -620A | 9794710236 | | . PACKING,PREFORMED POST ACR (AE 64893) | | 1 |
| 635 | 0319911130 | | . NUT,CASTLE PRE TU 133 (AE 87080) | a, b, c, d, e | 1 |
| 635A | 0319911380 | | . NUT,CASTLE POST TU 133 (AE 87080) | f, g, h, i, j, k | 1 |
| 645 | 9682001605 | | . PACKING,PREFORMED | | 1 |
| 650 | 735-593-7410-11 | | . RING,SEALING - VF9088 (9560170620) PRE TU 133 (AE 87080) | a, b, c, d, e | 1 |
| 650A | 77612F1 | | . RING,SEALING - VD8175 (9560174290) POST TU 133 (AE 87080) PRE ACR (AE 124249) | f, g, h, i, j, k | 1 |
| -650B | ISTJMB003327 | | . RING,SEALING - VD8175 (9560910020) POST ACR (AE 124249) | f, g, h, i, j, k | 1 |
| 655 | 9794710200 | | . PACKING,PREFORMED | | 1 |
| -670 | 22296CF050018E | | . SCREW - VF0111 (9848501829) PRE ACR (AE 27324) | a, b, c, d, e | 4 |
| 670A | EN3912-050018 | | . SCREW - VI9005 (9837105018) PRE TU 133 (AE 87080) POST ACR (AE 27324) | a, b, c, d, e | 4 |
| -670B | EN3912-050016 | | . SCREW - VI9005 (9837105016) PRE TU 172 (AE 90110) POST TU 133 (AE 87080) | f, g | 1 |
| 670C | EN3912-050018 | | . SCREW - VI9005 (9837105018) POST TU 172 (AE 90110) | h, i, j, k | 4 |
| 680 | 0292920270 | | . FLANGE PRE TU 133 (AE 87080) | a, b, c, d, e | 1 |

- ITEM NOT ILLUSTRATED

SAFRAN HELICOPTER ENGINES

ARRIEL 2 C2

MAINTENANCE SPARE PARTS CATALOG

| FIGURE ITEM | PART NUMBER | AIRL. STOCK No. | DESCRIPTION | EFFECT | QTY |
|----------------|-------------|-----------------------|--|---------|-----|
| | | | 1 2 3 4 5 6 7 | | |
| 03 -680A | 0292911530 | | . FLANGE PRE TU 172 (AE 90110) POST TU 133 (AE 87080) | f, g | 1 |
| 680B | 0292912010 | | . FLANGE POST TU 172 (AE 90110) PRE TU 184 (AE 95561) | h, i, j | 1 |
| -680C | 0292912720 | | . FLANGE POST TU 184 (AE 95561) | k | 1 |
| 690 | 9794710300 | | . PACKING, PREFORMED | | 1 |
| 700 | 9794710028 | | . PACKING, PREFORMED | | 1 |
| 710 | 9560159030 | | . SEAL 9560159030 IS THE SAFRAN HE PART NUMBER FOR: VF0229 - EX5639-61D6 VU1068 - EX5639-61D6 | | 1 |

- ITEM NOT ILLUSTRATED

PAGE LEFT BLANK INTENTIONALLY

FIGURE NOT ILLUSTRATED

METERING VALVE ASSY,FUEL
Figure 04

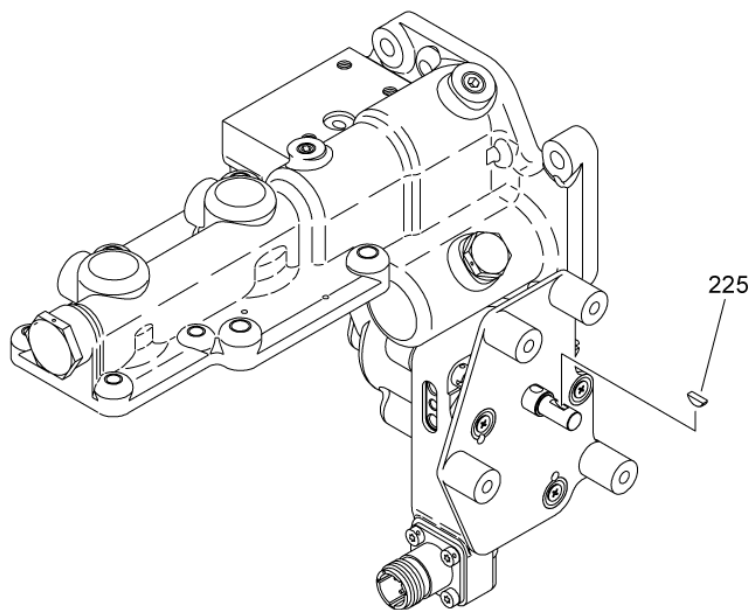
SAFRAN HELICOPTER ENGINES

ARRIEL 2 C2

MAINTENANCE SPARE PARTS CATALOG

| FIGURE ITEM | PART NUMBER | AIRL. STOCK No. | DESCRIPTION | EFFECT | QTY |
|----------------|-------------|-----------------------|---|---------------|-----|
| | | | 1 2 3 4 5 6 7 | | |
| 04 -001 | 0292845200 | | METERING VALVE ASSY,FUEL NON PROCURABLE POST TU 105 (AE 50922) BECOMES ITEM 001D PRE TU 083A (AE 48205 AVT 2) | a | RF |
| -001A | 0292845310 | | METERING VALVE ASSY,FUEL NON PROCURABLE PRE TU 105 (AE 50922) POST TU 083A (AE 48205 AVT 2) | b | RF |
| -001B | 0292845350 | | METERING VALVE ASSY,FUEL NON PROCURABLE POST TU 105 (AE 50922) PRE TU 082A (AE 49643) PRE TU 088A (AE 62343) | c | RF |
| -001C | 0292840060 | | METERING VALVE ASSY,FUEL NON PROCURABLE POST TU 082A (AE 16469) POST TU 088A (AE 62343) PRE TU 148A (AE 62919) | d | RF |
| -001D | 0292840050 | | METERING VALVE ASSY,FUEL NON PROCURABLE POST TU 105 (AE 50922) RETROFIT ITEM 001 POST TU 148A (AE 62919) AND POST TU 088A (AE 62343) BECOMES ITEM 001F | e | RF |
| -001E | 0292840380 | | METERING VALVE ASSY,FUEL NON PROCURABLE POST TU 148A (AE 62919) | f | RF |
| -001F | 0292840790 | | METERING VALVE ASSY,FUEL NON PROCURABLE POST TU 148A (AE 62919) AND POST TU 088A (AE 62343) RETROFIT ITEM 001D | g | RF |
| -001G | 0292841840 | | METERING VALVE ASSY,FUEL REFER TO FIG. 02 ITEM 150 | h | RF |
| -020 | - | | . ASSY,MANUAL CONTROL NON PROCURABLE PRE TU 088A (AE 62343) | a, b, c, e | 1 |
| -020A | - | | . ASSY,MANUAL CONTROL NON PROCURABLE POST TU 088A (AE 62343) REFER TO FIG.06 FOR DETAILS | d, f, g, h | 1 |

- ITEM NOT ILLUSTRATED



ASSY,MANUAL CONTROL
Figure 06

SAFRAN HELICOPTER ENGINES

ARRIEL 2 C2

MAINTENANCE SPARE PARTS CATALOG

| FIGURE ITEM | PART NUMBER | AIRL. STOCK No. | DESCRIPTION | EFFECT | QTY |
|----------------|-------------|-----------------------|---|--------|-----|
| | | | 1 2 3 4 5 6 7 | | |
| 06 -001 | - | | ASSY,MANUAL CONTROL NON PROCURABLE PRE TU 088A (AE 62343) | a | RF |
| -001A | - | | ASSY,MANUAL CONTROL NON PROCURABLE POST TU 088A (AE 62343) REFER TO FIG. 04 ITEM 020 | b | RF |
| 225 | 0292840930 | | . KEY | | 1 |

- ITEM NOT ILLUSTRATED

CHAPTER 74 - LIST OF EFFECTIVE PAGES

| <u>Chapter Section Subject</u> | <u>Figure</u> | <u>Title</u> | <u>Pages</u> | <u>Date</u> |
|--|---------------|-------------------------|--------------|--------------|
| 74 | | LIST OF EFFECTIVE PAGES | * 1 - 2 | June 15/2019 |
| 74 | | TABLE OF CONTENTS | 1 - 2 | Nov. 30/2009 |
| 74-00-00 | TITLE | SYSTEM, IGNITION | 1 | Nov. 30/2009 |
| 74-00-00 | 01 | SYSTEM,IGNITION | 0 | Nov. 30/2009 |
| 74-00-00 | 01 | | 1 | Nov. 30/2009 |
| 74-10-00 | TITLE | ELECTRICAL POWER SUPPLY | 1 | Nov. 30/2009 |
| 74-11-10 | 01 | BOX,IGNITION | * 0 | June 15/2019 |
| 74-11-10 | 01 | | * 1 | June 15/2019 |
| 74-20-00 | TITLE | DISTRIBUTION | 1 | Nov. 30/2009 |
| 74-24-10 | 01 | CABLES,IGNITION | 0 | Dec. 30/2018 |
| 74-24-10 | 01 | | 1 | Dec. 30/2018 |

* Page modified following update No. 41

PAGE LEFT BLANK INTENTIONALLY

CHAPTER 74 - TABLE OF CONTENTS

| <u>Title</u> | <u>Chapter Section Subject</u> | <u>Figure</u> |
|--------------------------------|--|---------------|
| SYSTEM, IGNITION | 74-00-00 | |
| SYSTEM,IGNITION | 74-00-00 | 01 |
| ELECTRICAL POWER SUPPLY | 74-10-00 | |
| BOX,IGNITION | 74-11-10 | 01 |
| DISTRIBUTION | 74-20-00 | |
| CABLES,IGNITION | 74-24-10 | 01 |

PAGE LEFT BLANK INTENTIONALLY

DETAILED PART LIST

SYSTEM, IGNITION

74-00-00

FIGURE NOT ILLUSTRATED

SYSTEM,IGNITION
Figure 01

TURBOMECA ARRIEL 2 C2

MAINTENANCE SPARE PARTS CATALOG

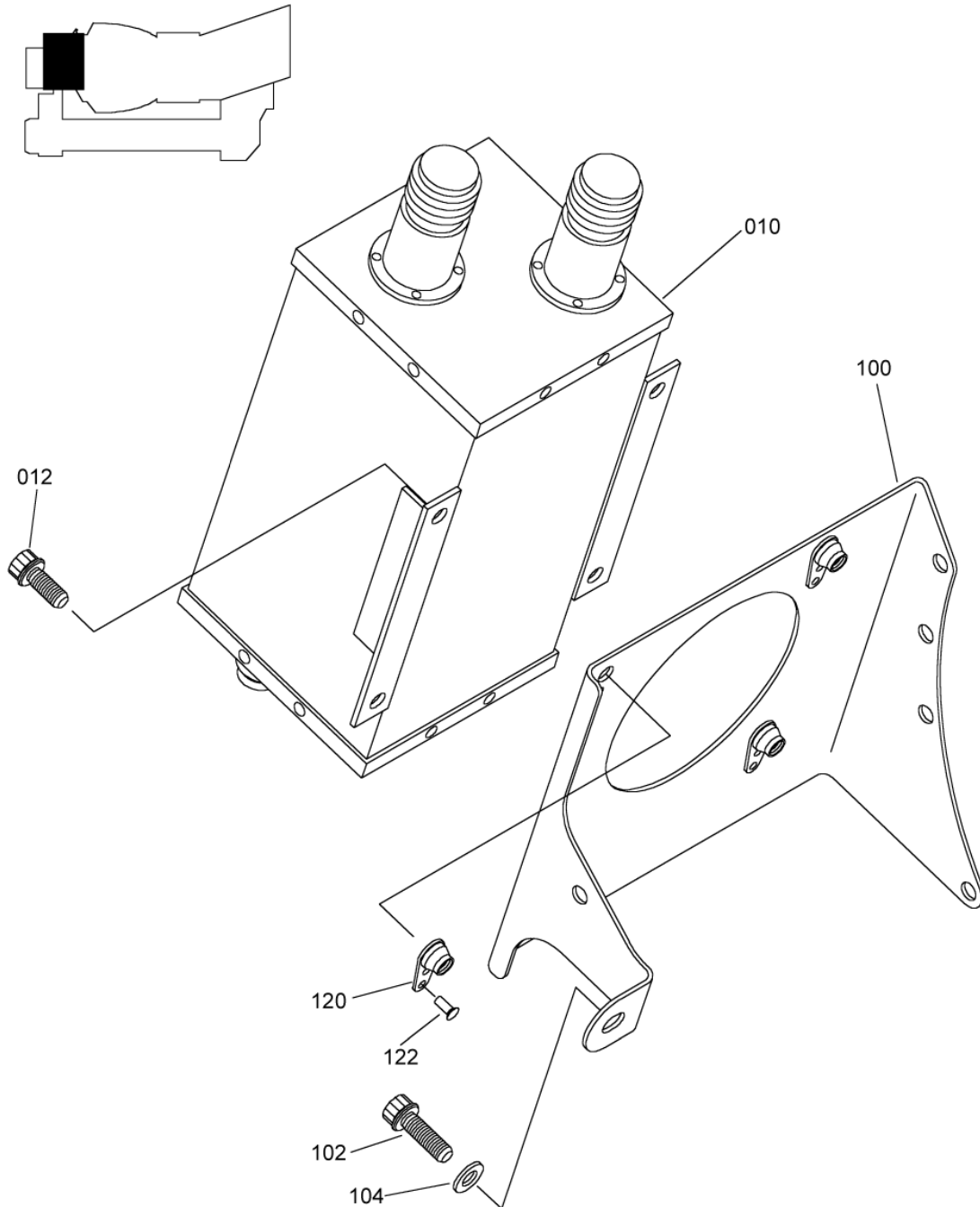
| FIGURE ITEM | PART NUMBER | AIRL. STOCK No. | DESCRIPTION | EFFECT | QTY |
|----------------|-------------|-----------------------|---|--------|-----|
| | | | 1 2 3 4 5 6 7 | | |
| 01 -001 | - | | SYSTEM,IGNITION NON PROCURABLE REFER TO CHAP. 71-00-00 FIG.01 ITEM 040 | | RF |
| -010 | - | | . INST.,BOX,IGNITION NON PROCURABLE REFER TO CHAP.74-11-10 FOR DETAILS | | 1 |
| -020 | - | | . INST.,CABLES,IGNITION NON PROCURABLE REFER TO CHAP.74-24-10 FOR DETAILS | | 1 |

- ITEM NOT ILLUSTRATED

DETAILED PART LIST

ELECTRICAL POWER SUPPLY

74-10-00



INST.,BOX,IGNITION
Figure 01

SAFRAN HELICOPTER ENGINES

ARRIEL 2 C2

MAINTENANCE SPARE PARTS CATALOG

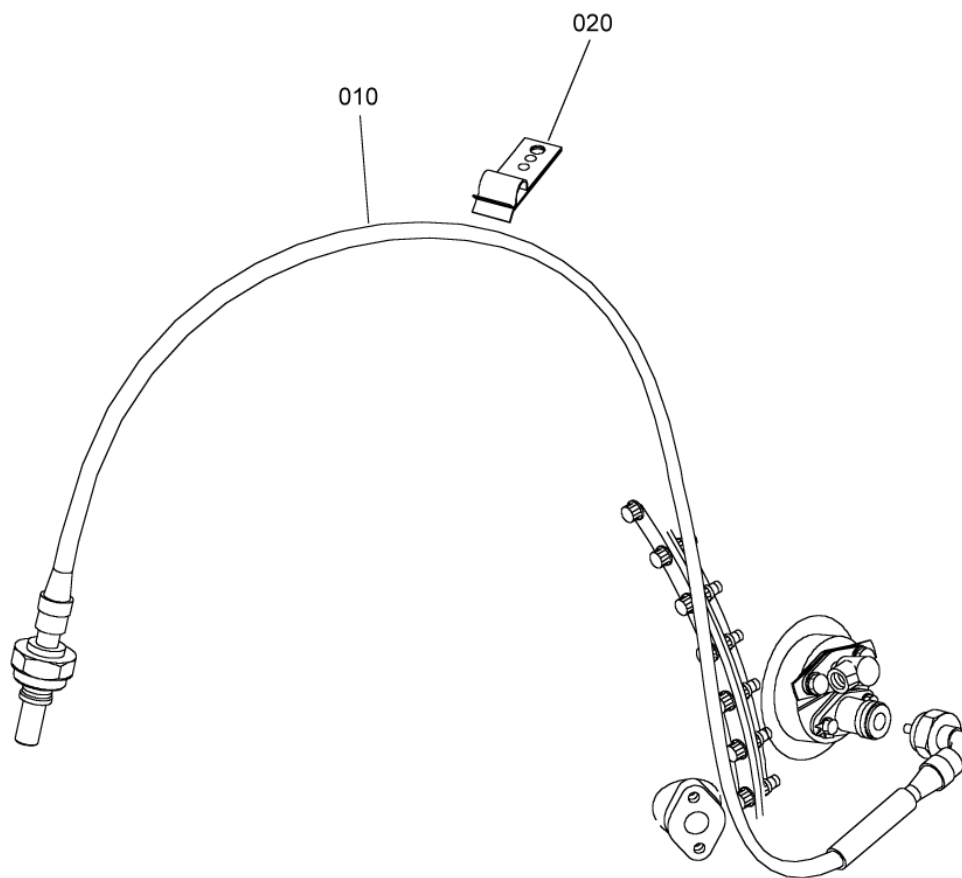
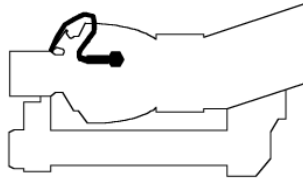
| FIGURE ITEM | PART NUMBER | AIRL. STOCK No. | DESCRIPTION | EFFECT | QTY |
|----------------|----------------|-----------------------|--|--------|-----|
| | | | 1 2 3 4 5 6 7 | | |
| 01 | | | | | |
| -001 | - | | INST.BOX,IGNITION NON PROCURABLE REFER TO CHAP. 74-00-00 FIG.01 ITEM 010 | | RF |
| 010 | HE 932 | | . BOX,IGNITION - VF6840 (9550177760) NON REPAIRABLE NON PROCURABLE PRE ACR (AE 51566) | | 1 |
| -010A | HE 3200 amdt e | | . BOX,IGNITION - VF5496 (9550178070) NON REPAIRABLE POST ACR (AE 51566) | | 1 |
| -010B | HE3201A | | . BOX,IGNITION - VF5496 (9421003400) NON REPAIRABLE POST ACR (AE 93459) ALTERNATE ITEM 010A | | 1 |
| 012 | EN3686050012 | | ATTACHING PARTS . SCREW - VI9005 (9836405012) *** | | 4 |
| 100 | 0292677010 | | . SUPPORT,IGNITION BOX | | 1 |
| 102 | EN3686050016 | | ATTACHING PARTS . SCREW - VI9005 (9836405016) | | 1 |
| 104 | 23112CF050 | | . WASHER - VF0111 (9975050024) *** | | 1 |
| 120 | 5SMR2205 | | . . ANCHOR NUT - VF0224 (9564090030) PRE ACR (AE 95508) | | 5 |
| -120A | 5 JSMR 20209 M | | . . ANCHOR NUT - VF0224 (9564090090) POST ACR (AE 95508) | | 5 |
| 122 | 21217CA2406 | | . . RIVET - VF0111 (9961240621) | | 10 |

- ITEM NOT ILLUSTRATED

DETAILED PART LIST

DISTRIBUTION

74-20-00



INST.,CABLES,IGNITION
Figure 01

SAFRAN HELICOPTER ENGINES

ARRIEL 2 C2

MAINTENANCE SPARE PARTS CATALOG

| FIGURE ITEM | PART NUMBER | AIRL. STOCK No. | DESCRIPTION | EFFECT | QTY |
|----------------|-------------|-----------------------|--|--------|-----|
| | | | 1 2 3 4 5 6 7 | | |
| 01 -001 | - | | INST.,CABLES,IGNITION NON PROCURABLE REFER TO CHAP. 74-00-00 FIG.01 ITEM 020 | | RF |
| 010 | 9048205-302 | | . CABLE,IGNITION - V59501 (9550171580) NON REPAIRABLE | | 2 |
| -010A | CLB23060 | | . CABLE,IGNITION - VF6840 (9550171540) NON REPAIRABLE ALTERNATE ITEM 010 | | 2 |
| 020 | 0319767900 | | ATTACHING PARTS . CLIP *** | | 3 |

- ITEM NOT ILLUSTRATED

CHAPTER 75 - LIST OF EFFECTIVE PAGES

| <u>Chapter Section Subject</u> | <u>Figure</u> | <u>Title</u> | <u>Pages</u> | <u>Date</u> |
|--|---------------|-------------------------|--------------|--------------|
| 75 | | LIST OF EFFECTIVE PAGES | * 1 - 2 | Dec. 30/2021 |
| 75 | | TABLE OF CONTENTS | 1 - 2 | Nov. 30/2009 |
| 75-00-00 | TITLE | SYSTEM, AIR | 1 | Nov. 30/2009 |
| 75-00-00 | 01 | SYSTEM,AIR | 0 | Nov. 30/2009 |
| 75-00-00 | 01 | | 1 | Nov. 30/2009 |
| 75-20-00 | TITLE | COOLING | 1 | Nov. 30/2009 |
| 75-29-00 | 01-1/3 | PIPES,AIR | 0 | Nov. 30/2016 |
| 75-29-00 | BLANK | | 0 | Nov. 30/2016 |
| 75-29-00 | 01-2/3 | | 0 | Nov. 30/2016 |
| 75-29-00 | BLANK | | 0 | Nov. 30/2016 |
| 75-29-00 | 01-3/3 | | 0 | Nov. 30/2016 |
| 75-29-00 | 01 | | 1 - 3 | Nov. 30/2016 |
| 75-30-00 | TITLE | COMPRESSOR CONTROL | 1 | Nov. 30/2009 |
| 75-31-00 | 01 | BLEED VALVE | * 0 | Dec. 30/2021 |
| 75-31-00 | 01 | | * 1 | Dec. 30/2021 |
| 75-31-00 | 02-1/2 | BLEED VALVE | * 0 | Dec. 30/2021 |
| 75-31-00 | BLANK | | * 0 | Dec. 30/2021 |
| 75-31-00 | 02-2/2 | | * 0 | Dec. 30/2021 |
| 75-31-00 | 02 | | * 1 | Dec. 30/2021 |
| 75-40-00 | TITLE | INDICATING | 1 | Nov. 30/2009 |
| 75-41-00 | 01 | TRANSMITTER,P3 PRESSURE | 0 | Dec. 30/2018 |
| 75-41-00 | 01 | | 1 | Dec. 30/2018 |

* Page modified following update No. 46

PAGE LEFT BLANK INTENTIONALLY

CHAPTER 75 - TABLE OF CONTENTS

| <u>Title</u> | <u>Chapter Section Subject</u> | <u>Figure</u> |
|---------------------------|--|---------------|
| SYSTEM, AIR | 75-00-00 | |
| SYSTEM,AIR | 75-00-00 | 01 |
| COOLING | 75-20-00 | |
| PIPES,AIR | 75-29-00 | 01 |
| COMPRESSOR CONTROL | 75-30-00 | |
| BLEED VALVE | 75-31-00 | 01 |
| BLEED VALVE | 75-31-00 | 02 |
| INDICATING | 75-40-00 | |
| TRANSMITTER,P3 PRESSURE | 75-41-00 | 01 |

PAGE LEFT BLANK INTENTIONALLY

DETAILED PART LIST

SYSTEM, AIR

75-00-00

FIGURE NOT ILLUSTRATED

SYSTEM,AIR
Figure 01

TURBOMECA ARRIEL 2 C2

MAINTENANCE SPARE PARTS CATALOG

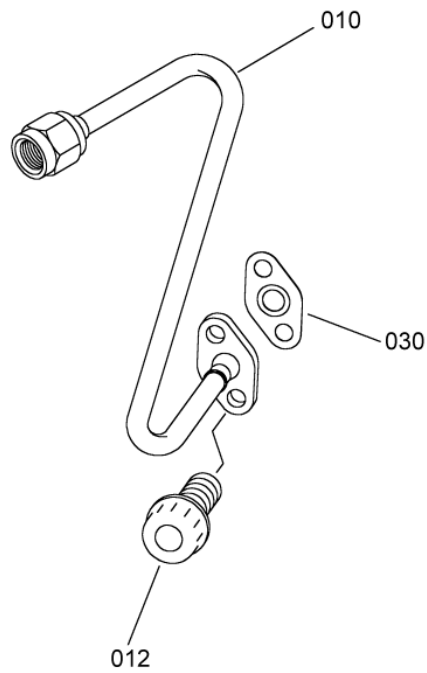
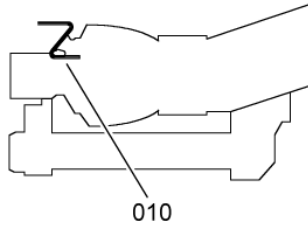
| FIGURE ITEM | PART NUMBER | AIRL. STOCK No. | DESCRIPTION <small>1 2 3 4 5 6 7</small> | EFFECT | QTY |
|----------------|-------------|-----------------------|---|--------|-----|
| 01 -001 | - | | SYSTEM,AIR NON PROCURABLE REFER TO CHAP. 71-00-00 FIG.01 ITEM 050 | | RF |
| -010 | - | | . INST.,PIPES,AIR NON PROCURABLE REFER TO CHAP.75-29-00 FOR DETAILS | | 1 |
| -020 | - | | . INST.,BLEED VALVE NON PROCURABLE REFER TO CHAP.75-31-00 FOR DETAILS | | 1 |
| -030 | - | | . INST.,TRANSMITTER,P3 PRESSURE NON PROCURABLE REFER TO CHAP.75-41-00 FOR DETAILS | | 1 |

- ITEM NOT ILLUSTRATED

DETAILED PART LIST

COOLING

75-20-00

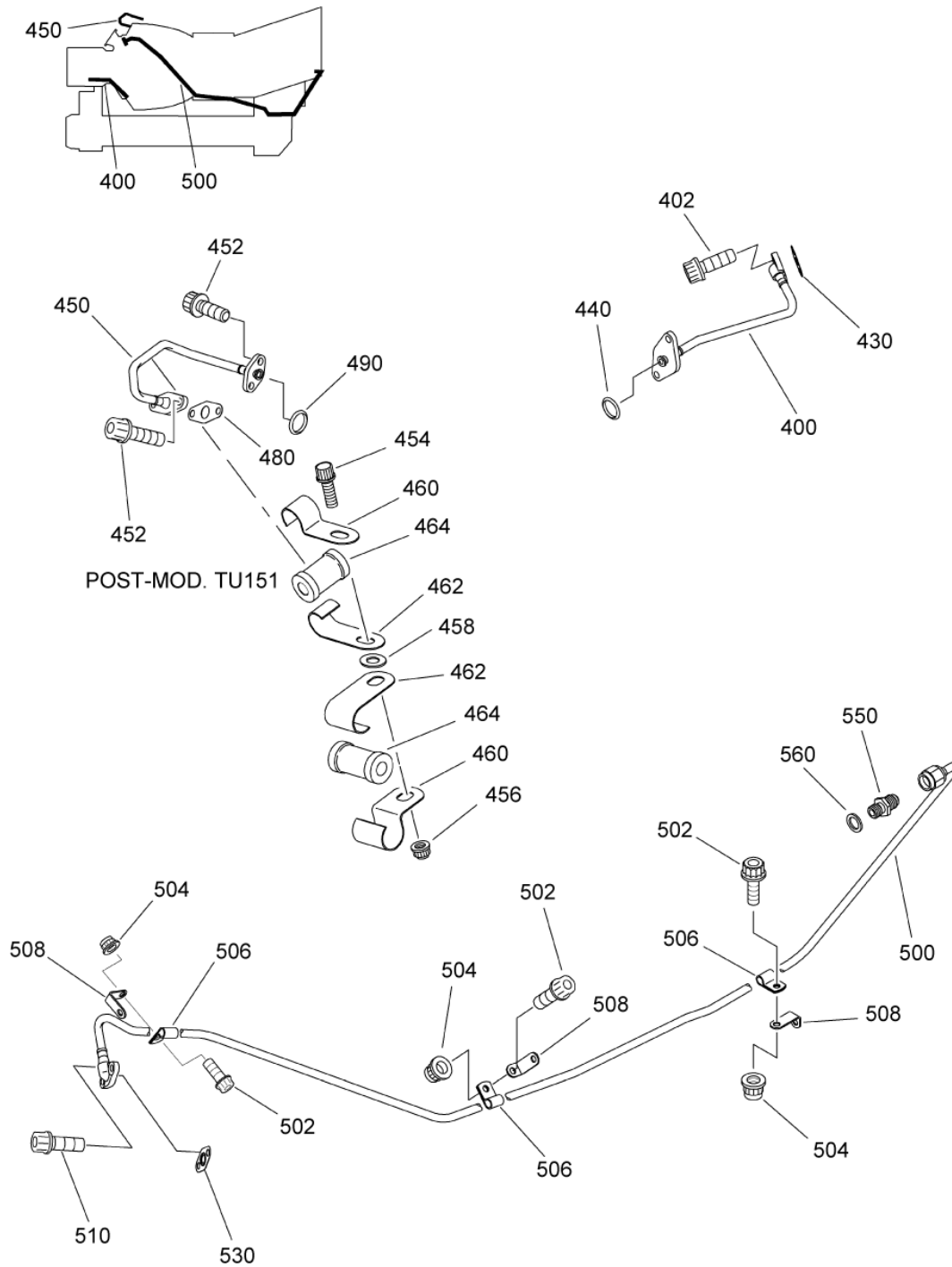


INST.,PIPES,AIR
Figure 01 (Sheet 1/3)

PAGE LEFT BLANK INTENTIONALLY

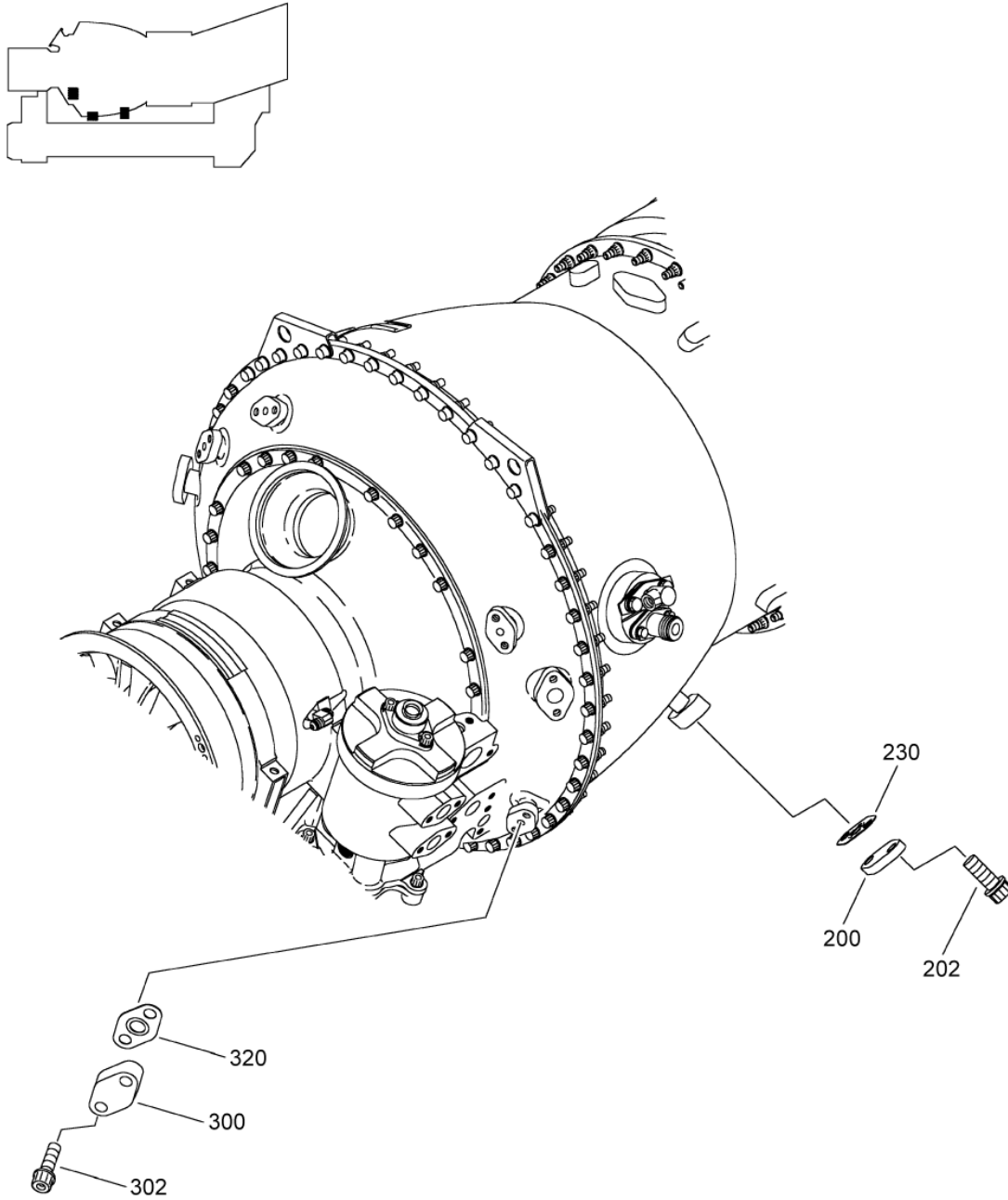
TURBOMECA ARRIEL 2 C2

MAINTENANCE SPARE PARTS CATALOG



INST.,PIPES,AIR
Figure 01 (Sheet 2/3)

PAGE LEFT BLANK INTENTIONALLY



INST.,PIPES,AIR
Figure 01 (Sheet 3/3)

TURBOMECA ARRIEL 2 C2

MAINTENANCE SPARE PARTS CATALOG

| FIGURE ITEM | PART NUMBER | AIRL. STOCK No. | DESCRIPTION | EFFECT | QTY |
|----------------|--------------|-----------------------|---|--------|-----|
| | | | 1 2 3 4 5 6 7 | | |
| 01 | | | | | |
| -001 | - | | INST.,PIPES,AIR NON PROCURABLE REFER TO CHAP. 75-00-00 FIG.01 ITEM 010 | | RF |
| 010 | 0292687280 | | . PIPE,AIR BLEED VALVE SUPPLY | | 1 |
| 012 | EN3686050014 | | ATTACHING PARTS . SCREW - VI9005 (9836405014) *** | | 2 |
| 030 | 9945000060 | | . GASKET,CORRUJOINT | | 1 |
| 200 | 9945300060 | | . BLANK | | 1 |
| 202 | EN3686050012 | | ATTACHING PARTS . SCREW - VI9005 (9836405012) PRE ACR (AE 65090) | | 2 |
| -202A | EN3686050014 | | . SCREW - VI9005 (9836405014) POST ACR (AE 65090) *** | | 2 |
| 230 | 9945000060 | | . GASKET,CORRUJOINT | | 1 |
| -250 | 9945300120 | | . PLUG PRE ACR (AE 101772) | | 1 |
| -252 | EN3686050012 | | ATTACHING PARTS . SCREW - VI9005 (9836405012) PRE ACR (AE 65090) | | 2 |
| -252A | EN3686050014 | | PRE ACR (AE 101772) . SCREW - VI9005 (9836405014) POST ACR (AE 65090) PRE ACR (AE 101772) *** | | 2 |
| -280 | 9945000120 | | . GASKET,CORRUJOINT PRE ACR (AE 101772) | | 1 |
| 300 | 9945300060 | | . BLANK | | 1 |
| 302 | EN3686050014 | | ATTACHING PARTS . SCREW - VI9005 (9836405014) *** | | 2 |
| 320 | 9945000060 | | . GASKET,CORRUJOINT | | 1 |
| 400 | 0292687230 | | . PIPE,AIR P3,TRANSMITTER SUPPLY | | 1 |
| 402 | EN3686050014 | | ATTACHING PARTS . SCREW - VI9005 (9836405014) *** | | 2 |
| 430 | 9945000060 | | . GASKET,CORRUJOINT | | 1 |
| 440 | 46012A00560 | | . PACKING,PREFORMED - VF0111 (9794410056) | | 1 |
| 450 | 0292687270 | | . PIPE,P3,P.S.S.D. VALVE SUPPLY PRE TU 151 (AE 67807) | | 1 |
| -450A | 0292680030 | | . PIPE,P3,P.S.S.D. VALVE SUPPLY POST TU 151 (AE 67807) | | 1 |

- ITEM NOT ILLUSTRATED

TURBOMECA ARRIEL 2 C2

MAINTENANCE SPARE PARTS CATALOG

| FIGURE ITEM | PART NUMBER | AIRL. STOCK No. | DESCRIPTION | EFFECT | QTY |
|----------------|--------------|-----------------------|--|--------|-----|
| | | | 1 2 3 4 5 6 7 | | |
| 01 | | | | | |
| | | | ATTACHING PARTS | | |
| 452 | EN3686050014 | | . SCREW - VI9005 (9836405014) | | 4 |
| 454 | EN3686050012 | | . SCREW - VI9005 (9836405012) | | 1 |
| | | | POST TU 151 (AE 67807) | | |
| 456 | 9866205026 | | . NUT | | 1 |
| | | | 9866205026 IS THE TURBOMECA PART NUMBER FOR: | | |
| | | | VF0111 - 22526-050 | | |
| | | | VI9005 - EN2906-050 | | |
| | | | POST TU 151 (AE 67807) | | |
| 458 | 23112CF050 | | . WASHER - VF0111 (9975050024) | | 1 |
| | | | POST TU 151 (AE 67807) | | |
| 460 | AS12841 | | . HALF CLAMP - VU1653 (0400420010) | | 2 |
| | | | POST TU 151 (AE 67807) | | |
| 462 | AS12811 | | . HALF CLAMP - VU1653 (0400410010) | | 2 |
| | | | POST TU 151 (AE 67807) | | |
| 464 | AS12872 | | . SLEEVE - VU1653 (0400430060) | | 2 |
| | | | POST TU 151 (AE 67807) | | |
| | | | *** | | |
| 480 | 9945000060 | | . GASKET,CORRUJOINT | | 1 |
| 490 | 46012A00560 | | . PACKING,PREFORMED - VF0111 (9794410056) | | 1 |
| 500 | 0292687410 | | . PIPE,P3 PRESSUR.,PT LABYRINTH | | 1 |
| | | | ATTACHING PARTS | | |
| 502 | EN3686050014 | | . SCREW - VI9005 (9836405014) | | 3 |
| | | | PRE ACR (AE 69768) | | |
| -502A | EN3686050012 | | . SCREW - VI9005 (9836405012) | | 3 |
| | | | POST ACR (AE 69768) | | |
| 504 | 9866205026 | | . NUT | | 3 |
| | | | 9866205026 IS THE TURBOMECA PART NUMBER FOR: | | |
| | | | VF0111 - 22526-050 | | |
| | | | VI9005 - EN2906-050 | | |
| 506 | 11N6 | | . CLAMP - VF0215 (9560154770) | | 3 |
| 508 | 0301010540 | | . BRACKET,ANGLE | | 3 |
| 510 | EN3686050014 | | . SCREW - VI9005 (9836405014) | | 2 |
| | | | *** | | |
| 530 | 9945000060 | | . GASKET,CORRUJOINT | | 1 |
| 550 | 9936300600 | | . NIPPLE | | 1 |
| | | | PRE TU 113A (AE 51142) | | |
| -550A | 0000253140 | | . NIPPLE | | 1 |
| | | | POST TU 113A (AE 51142) | | |
| 560 | 9752100100 | | . SEAL | | 1 |

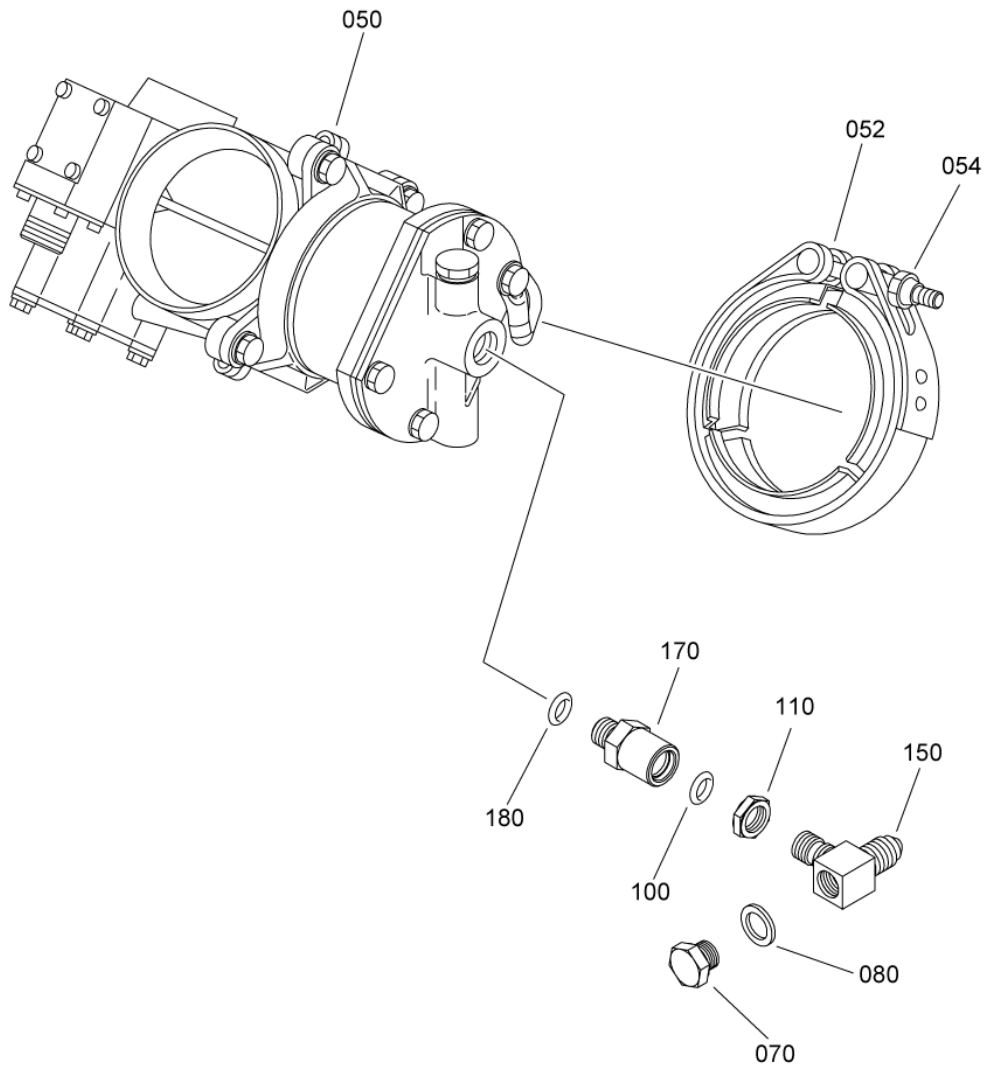
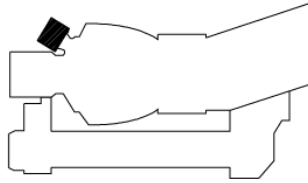
- ITEM NOT ILLUSTRATED

PAGE LEFT BLANK INTENTIONALLY

DETAILED PART LIST

COMPRESSOR CONTROL

75-30-00



INST.,BLEED VALVE
Figure 01

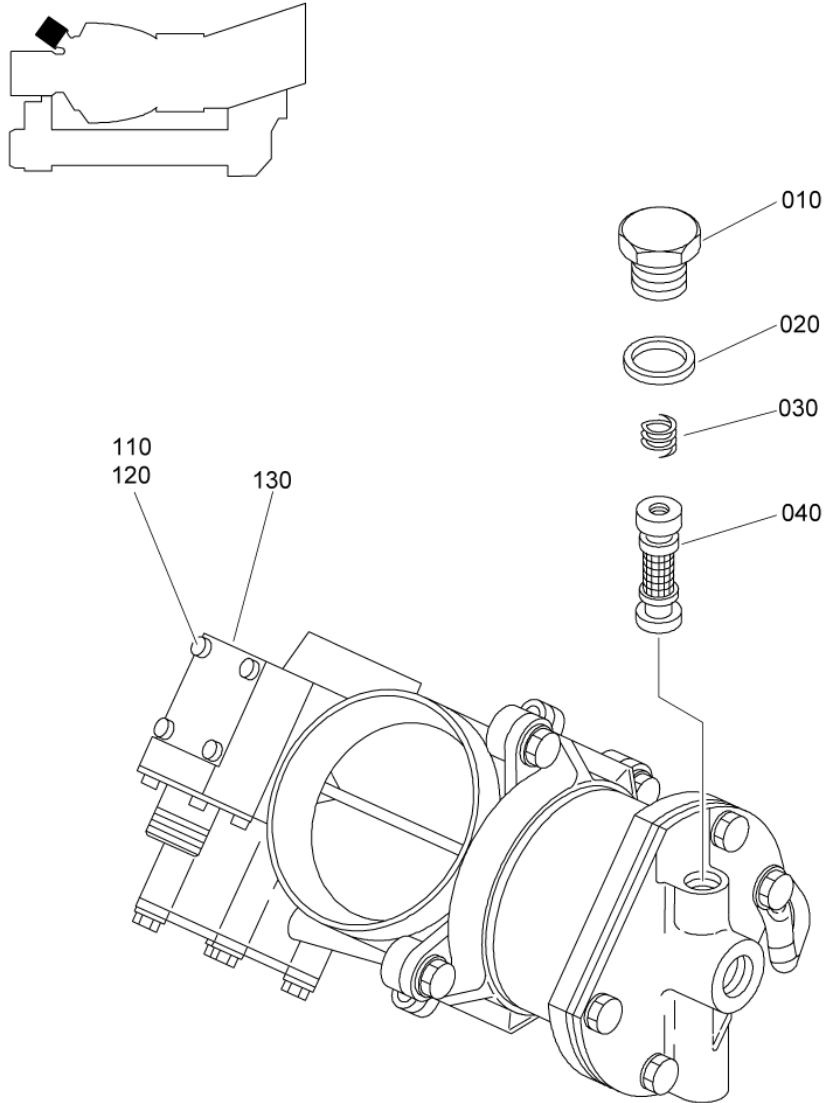
SAFRAN HELICOPTER ENGINES

ARRIEL 2 C2

MAINTENANCE SPARE PARTS CATALOG

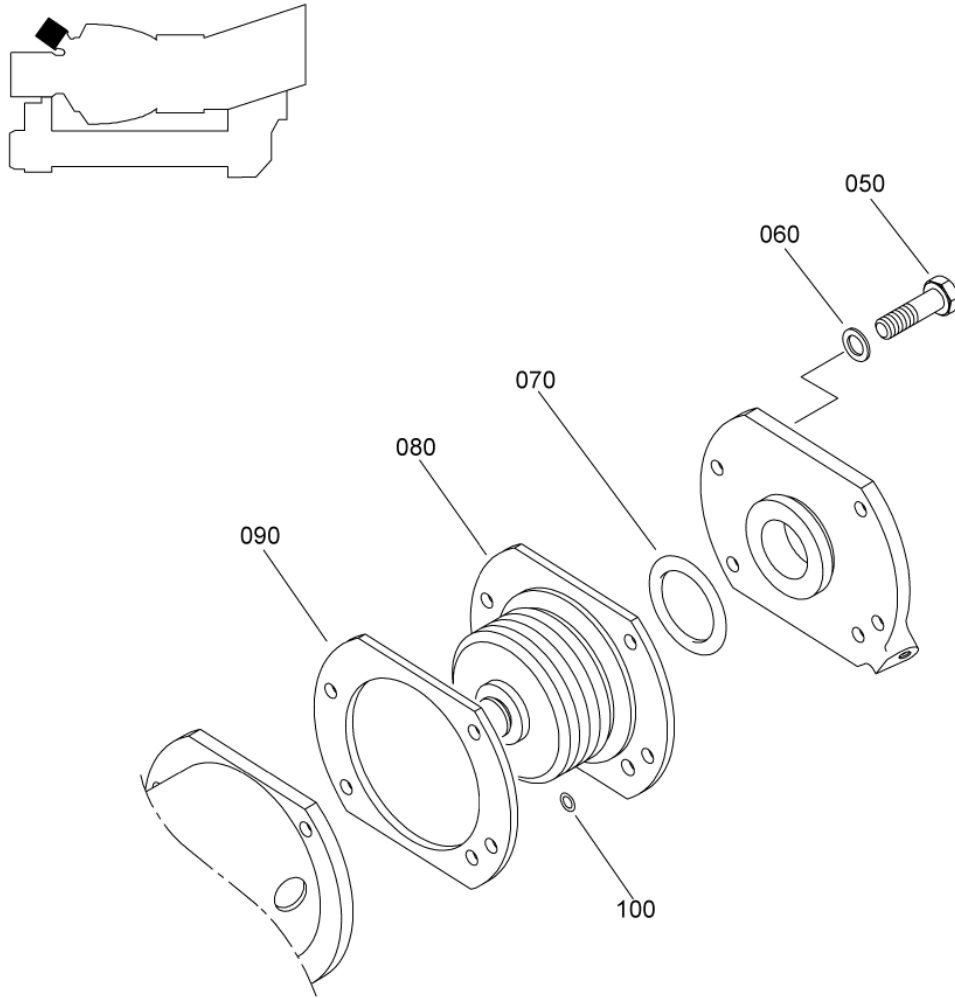
| FIGURE ITEM | PART NUMBER | AIRL. STOCK No. | DESCRIPTION | EFFECT | QTY |
|----------------|----------------|-----------------------|--|--------|-----|
| | | | 1 2 3 4 5 6 7 | | |
| 01 | | | | | |
| -001 | - | | INST.BLEED VALVE NON PROCURABLE REFER TO CHAP. 75-00-00 FIG.01 ITEM 020 | | RF |
| 050 | 1353700 | | . BLEED VALVE - VF1976 (9550178260) REPAIRABLE PRE TU 120 (AE 17551) | | 1 |
| -050A | 135-3700-01 | | . BLEED VALVE - VF1976 (9550178980) REPAIRABLE POST TU 120 (AE 17551) REFER TO FIG.02 FOR DETAILS | | 1 |
| 052 | C6048-25.B-ISO | | ATTACHING PARTS . COLLAR - VF6275 (9560125160) *** | | 1 |
| 054 | EN3196-050 | | . . NUT - VI9005 (9867500501) | | 1 |
| 070 | 9786510100 | | . PLUG,THREADED | | 1 |
| 080 | 9752100100 | | . SEAL | | 1 |
| 100 | 9794080203 | | . PACKING,PREFORMED | | 1 |
| 110 | 9867201000 | | . NUT | | 1 |
| 150 | 0292680640 | | . UNION,3 WAY | | 1 |
| 170 | 0292680570 | | . SPACER | | 1 |
| 180 | 9794080203 | | . PACKING,PREFORMED | | 1 |

- ITEM NOT ILLUSTRATED



BLEED VALVE
Figure 02 (Sheet 1/2)

PAGE LEFT BLANK INTENTIONALLY



BLEED VALVE
Figure 02 (Sheet 2/2)

SAFRAN HELICOPTER ENGINES

ARRIEL 2 C2

MAINTENANCE SPARE PARTS CATALOG

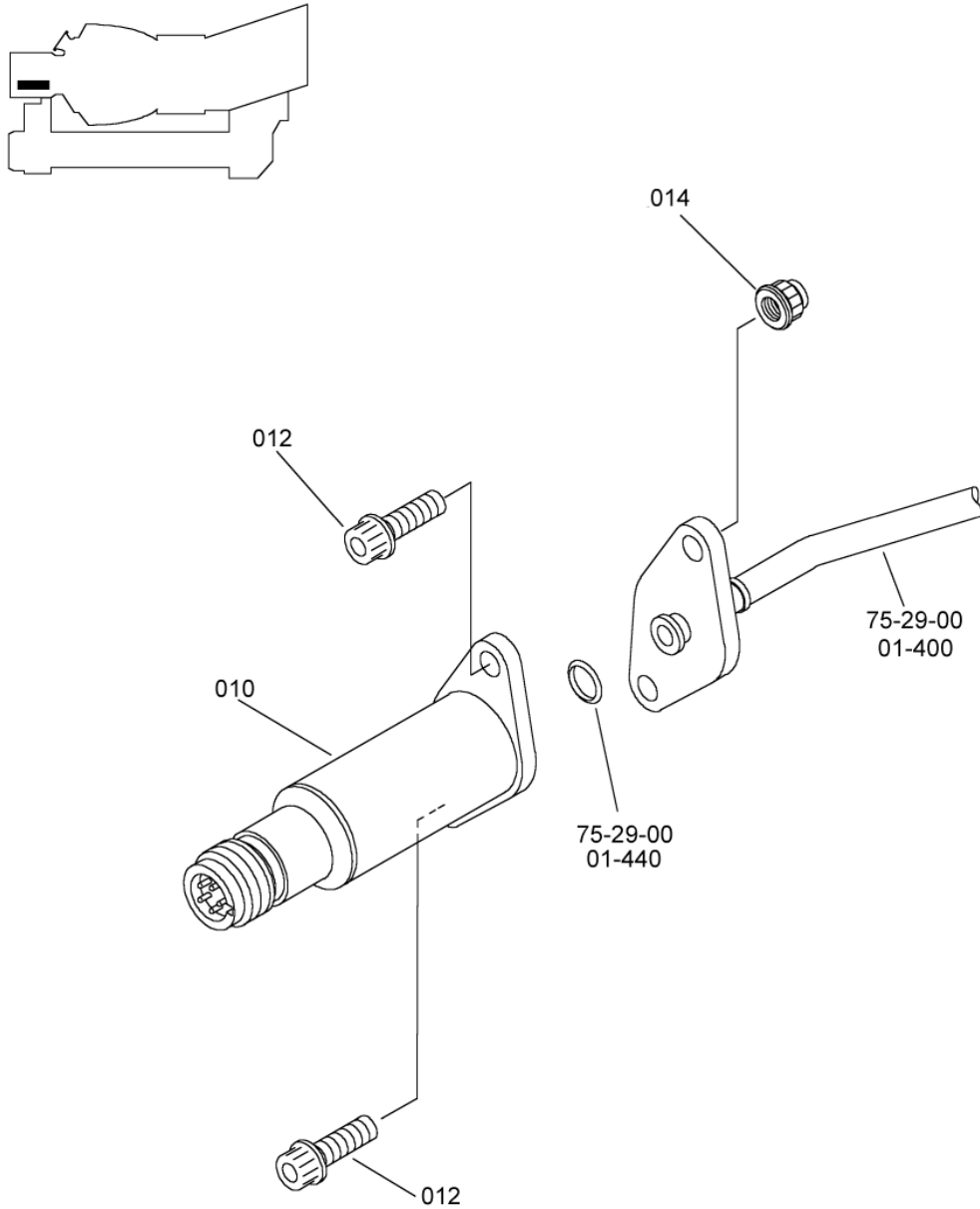
| FIGURE ITEM | PART NUMBER | AIRL. STOCK No. | DESCRIPTION | EFFECT | QTY |
|----------------|-------------|-----------------------|--|--------|-----|
| | | | 1 2 3 4 5 6 7 | | |
| 02 | | | | | |
| -001 | 1353700 | | BLEED VALVE - VF1976 (9550178260) REPAIRABLE PRE TU 120 (AE 17551) | a | RF |
| -001A | 135-3700-01 | | BLEED VALVE - VF1976 (9550178980) REPAIRABLE POST TU 120 (AE 17551) REFER TO FIG. 01 ITEM 050 | b | RF |
| 010 | 1091-203-0 | | . PLUG - VF1976 (9520010792) | | 1 |
| 020 | 9220-004-0 | | . SEAL - VF1976 (9520010794) | | 1 |
| 030 | 9900-277-0 | | . SPRING - VF1976 (9520010793) | | 1 |
| 040 | 2751-000 | | . FILTER - VF1976 (9520011854) | | 1 |
| 050 | 9512.057.0 | | . SCREW - VF1976 (9520011850) | a | 4 |
| -050A | 9512-056-0 | | . SCREW - VF1976 (9520011783) | b | 4 |
| 060 | 9486-523-0 | | . WASHER - VF1976 (9520011779) | | 4 |
| 070 | 9193-035-0 | | . PACKING,PREFORMED - VF1976 (9520011845) | | 1 |
| 080 | 1023.951.0 | | . BELLOWS - VF1976 (9520011849) | a | 1 |
| -080A | 3300424 | | . BELLOWS - VF1976 (9520002000) | b | 1 |
| 090 | 1091.101.0 | | . SHIM,PEEL - VF1976 (9520011847) | | 1 |
| 100 | 9200-030-0 | | . PACKING,PREFORMED - VF1976 (9520011774) | | 1 |
| 110 | 9521-403-0 | | . SCREW - VF1976 (9520011852) | | 4 |
| 120 | 9486-522 | | . WASCHER - VF1976 (9520011853) | | 4 |
| 130 | 3162-936-0 | | . DETECTOR,POSITION - VF1976 (9520011851) | a | 1 |
| -130A | 2300422 | | . DETECTOR,POSITION - VF1976 (9520002300) | b | 1 |

- ITEM NOT ILLUSTRATED

DETAILED PART LIST

INDICATING

75-40-00



INST., TRANSMITTER, P3 PRESSURE
Figure 01

SAFRAN HELICOPTER ENGINES

ARRIEL 2 C2

MAINTENANCE SPARE PARTS CATALOG

| FIGURE ITEM | PART NUMBER | AIRL. STOCK No. | DESCRIPTION | EFFECT | QTY |
|----------------|----------------|-----------------------|--|--------|-----|
| | | | 1 2 3 4 5 6 7 | | |
| 01 -001 | - | | INST., TRANSMITTER, P3 PRESSURE NON PROCURABLE REFER TO CHAP. 75-00-00 FIG.01 ITEM 030 | | RF |
| 010 | APT190-13BAR-A | | . TRANSMITTER, PRESSURE, P3 - V34345 (9550166140) NON REPAIRABLE | | 1 |
| -010A | CZ5MC6-3 | | . TRANSMITTER, PRESSURE, P3 - VF2276 (9550171420) NON REPAIRABLE POST ACR (AE 98277) ALTERNATE ITEM 010 | | 1 |
| 012 | EN3686050016 | | ATTACHING PARTS . SCREW - VI9005 (9836405016) | | 2 |
| 014 | 9866205026 | | . NUT 9866205026 IS THE SAFRAN HELICOPTER ENGINES PART NUMBER FOR: VF0111 - 22526-050 VI9005 - EN2906-050 *** | | 1 |

- ITEM NOT ILLUSTRATED

CHAPTER 77 - LIST OF EFFECTIVE PAGES

| <u>Chapter Section Subject</u> | <u>Figure</u> | <u>Title</u> | <u>Pages</u> | <u>Date</u> |
|--|---------------|----------------------------|--------------|--------------|
| 77 | | LIST OF EFFECTIVE PAGES | * 1 - 2 | June 15/2023 |
| 77 | | TABLE OF CONTENTS | 1 - 2 | Nov. 30/2009 |
| 77-00-00 | TITLE | ENGINE INDICATING | 1 | Nov. 30/2009 |
| 77-00-00 | 01 | SYSTEM,ENGINE INDICATING | 0 | Dec. 30/2018 |
| 77-00-00 | 01 | | 1 | Dec. 30/2018 |
| 77-09-02 | 01 | BOX,CONFORMATION | 0 | Dec. 30/2019 |
| 77-09-02 | 01 | | 1 | Dec. 30/2019 |
| 77-10-00 | TITLE | POWER | 1 | Nov. 30/2009 |
| 77-11-00 | 01 | SENSOR,N1 | 0 | June 15/2021 |
| 77-11-00 | 01 | | 1 | June 15/2021 |
| 77-12-00 | 01 | SENSOR,N2 | * 0 | June 15/2023 |
| 77-12-00 | 01 | | * 1 - 3 | June 15/2023 |
| 77-20-00 | TITLE | TEMPERATURE | 1 | Nov. 30/2009 |
| 77-21-00 | 01 | HARNESS,PYROMETRIC | 0 | Dec. 30/2020 |
| 77-21-00 | 01 | | 1 | Dec. 30/2020 |
| 77-22-01 | 01 | BOX,JUNCTION,T4-5 MATCHING | 0 | June 15/2019 |
| 77-22-01 | 01 | | 1 | June 15/2019 |

* Page modified following update No. 49

PAGE LEFT BLANK INTENTIONALLY

CHAPTER 77 - TABLE OF CONTENTS

| <u>Title</u> | <u>Chapter Section Subject</u> | <u>Figure</u> |
|----------------------------|--|---------------|
| ENGINE INDICATING | 77-00-00 | |
| SYSTEM,ENGINE INDICATING | 77-00-00 | 01 |
| BOX,CONFORMATION | 77-09-02 | 01 |
| POWER | 77-10-00 | |
| SENSOR,N1 | 77-11-00 | 01 |
| SENSOR,N2 | 77-12-00 | 01 |
| TEMPERATURE | 77-20-00 | |
| HARNES,PYROMETRIC | 77-21-00 | 01 |
| BOX,JUNCTION,T4-5 MATCHING | 77-22-01 | 01 |

PAGE LEFT BLANK INTENTIONALLY

DETAILED PART LIST

ENGINE INDICATING

77-00-00

FIGURE NOT ILLUSTRATED

SYSTEM,ENGINE INDICATING
Figure 01

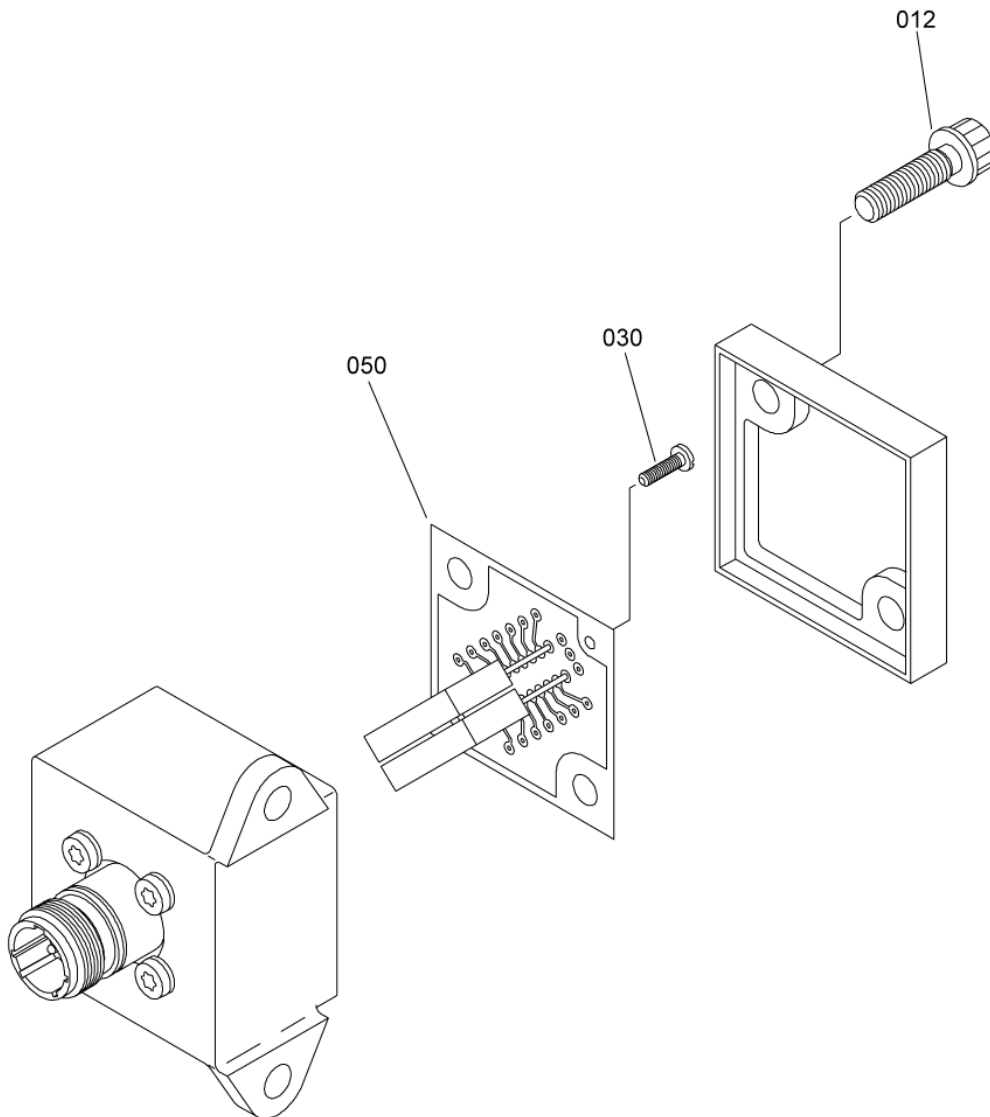
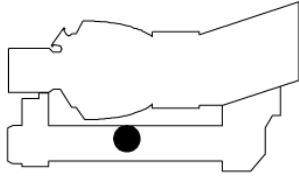
SAFRAN HELICOPTER ENGINES

ARRIEL 2 C2

MAINTENANCE SPARE PARTS CATALOG

| FIGURE ITEM | PART NUMBER | AIRL. STOCK No. | DESCRIPTION | | | | | | | EFFECT | QTY |
|----------------|-------------|-----------------------|-------------|---|---|---|---|---|---|--------|-----|
| | | | 1 | 2 | 3 | 4 | 5 | 6 | 7 | | |
| 01 | | | | | | | | | | | |
| -001 | - | | | | | | | | | | RF |
| | | | | | | | | | | | |
| -010 | - | | | | | | | | | | 1 |
| | | | | | | | | | | | |
| -020 | - | | | | | | | | | | 1 |
| | | | | | | | | | | | |
| -020A | - | | | | | | | | | | 1 |
| | | | | | | | | | | | |
| -020B | - | | | | | | | | | | 1 |
| | | | | | | | | | | | |
| -020C | - | | | | | | | | | | 1 |
| | | | | | | | | | | | |
| -030 | - | | | | | | | | | | 1 |
| | | | | | | | | | | | |

- ITEM NOT ILLUSTRATED



BOX, CONFORMATION
Figure 01

SAFRAN HELICOPTER ENGINES

ARRIEL 2 C2

MAINTENANCE SPARE PARTS CATALOG

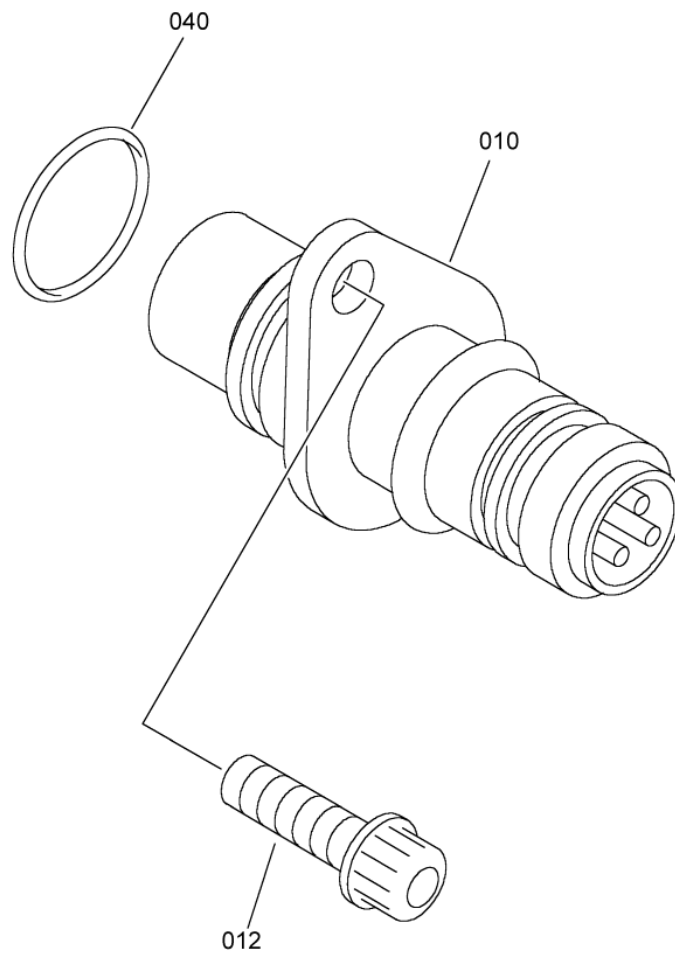
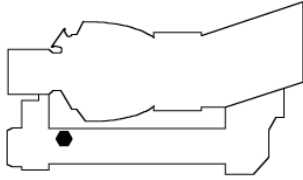
| FIGURE ITEM | PART NUMBER | AIRL. STOCK No. | DESCRIPTION | EFFECT | QTY |
|----------------|----------------|-----------------------|--|--------|-----|
| | | | 1 2 3 4 5 6 7 | | |
| 01 | | | | | |
| -001 | 0177987070 | | BOX, CONFORMATION REPAIRABLE POST TU 034A (AE 46760) PRE TU192 (AE 109677) | a | RF |
| -001B | 0177987140 | | BOX, CONFORMATION POST TU192 (AE 109677) REFER TO CHAP. 72-61-20 FIG.01 ITEM 280 | c | RF |
| 012 | EN3686050018 | | . SCREW - VI9005 (9836405018) | | 2 |
| 030 | 22294CE020008E | | . SCREW - VF0111 (9847200800) | | 2 |
| 050A | 0177987120 | | . CARD ASSY, EQUIPPED POST ACR (AE 48641) PRE TU192 (AE 109677) | a | 1 |
| -050C | 0177987160 | | . CARD ASSY, EQUIPPED POST TU192 (AE 109677) | c | 1 |
| -160 | VERNELEC43022 | | . VARNISH - VF6071 (9590003191) PRE TU192 (AE 109677) | | AR |
| -160A | SVP52 | | DELETED - VFASH4 (9590043500) | | |

- ITEM NOT ILLUSTRATED

DETAILED PART LIST

POWER

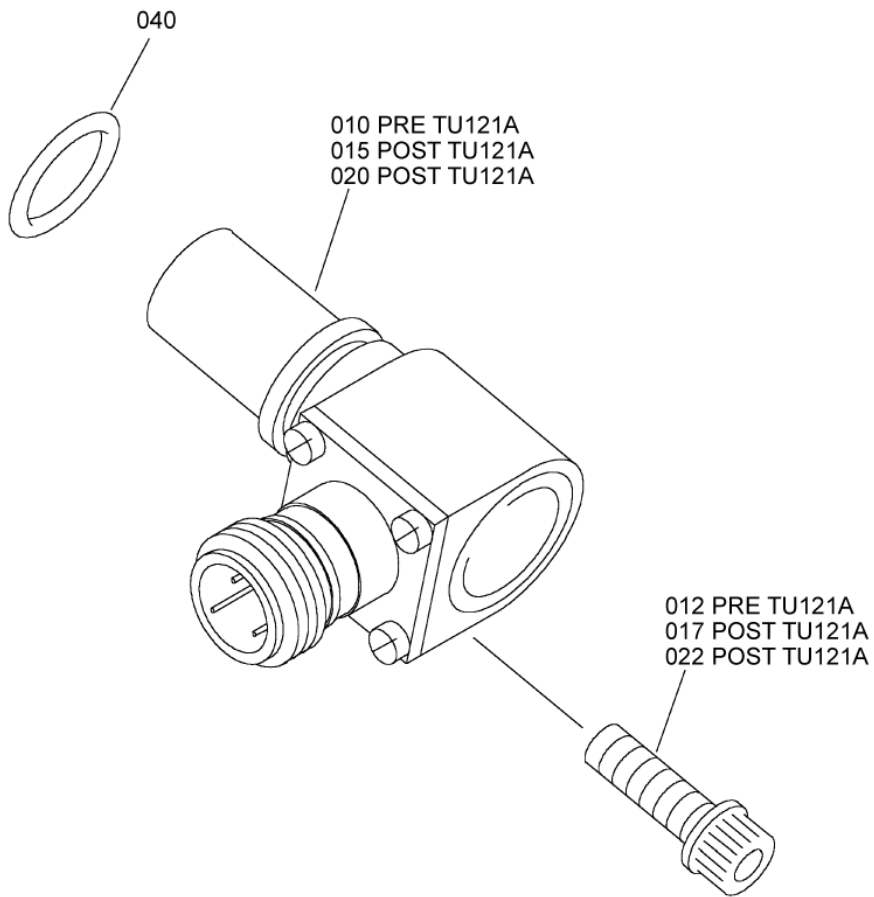
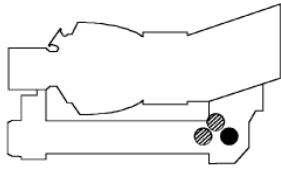
77-10-00



INST.,SENSOR,N1
Figure 01

| FIGURE ITEM | PART NUMBER | AIRL. STOCK No. | DESCRIPTION | EFFECT | QTY |
|----------------|--------------|-----------------------|---|--------|-----|
| | | | 1 2 3 4 5 6 7 | | |
| 01 | | | | | |
| -001 | - | | INST.SENSOR,N1 NON PROCURABLE REFER TO CHAP. 77-00-00 FIG.01 ITEM 010 | | RF |
| 010 | 1604-300 | | . SENSOR,SPEED - VF1976 (9550177390) NON REPAIRABLE NON PROCURABLE PRE ACR (AE 50610) | | 1 |
| -010A | 1604300-01 | | . SENSOR,SPEED - VF1976 (9550179190) NON REPAIRABLE NON PROCURABLE POST ACR (AE 50610) | | 1 |
| -010B | VIT7100040 | | . SENSOR,SPEED - VF6840 (9550175810) NON REPAIRABLE | | 1 |
| 012 | EN3686050014 | | ATTACHING PARTS . SCREW - VI9005 (9836405014) *** | | 1 |
| 040 | 46012A01400 | | . PACKING,PREFORMED - VF0111 (9794410140) | | 1 |

- ITEM NOT ILLUSTRATED



INST.,SENSOR,N2
Figure 01

SAFRAN HELICOPTER ENGINES

ARRIEL 2 C2

MAINTENANCE SPARE PARTS CATALOG

| FIGURE ITEM | PART NUMBER | AIRL. STOCK No. | DESCRIPTION | EFFECT | QTY |
|----------------|--------------|-----------------------|---|--------|-----|
| | | | 1 2 3 4 5 6 7 | | |
| 01 | | | | | |
| -001 | - | | INST.,SENSOR,N2 NON PROCURABLE PRE TU 121A (AE 51397) | a | RF |
| -001A | - | | INST.,SENSOR,N2 NON PROCURABLE PRE TU 121A (AE 51397) ALTERNATE ITEM 001 | b | RF |
| -001B | - | | INST.,SENSOR,N2 NON PROCURABLE PRE TU 121A (AE 51397) ALTERNATE ITEM 001A | c | RF |
| -001C | - | | INST.,SENSOR,N2 NON PROCURABLE POST TU 121A (AE 51397) REFER TO CHAP. 77-00-00 FIG.01 ITEM 020 | d | RF |
| 010 | 1604-000 | | . SENSOR,SPEED - VF1976 (9550177360) NON REPAIRABLE PRE TU 121A (AE 51397) PRE ACR (AE 50609) | a | 3 |
| -010A | 1604000-01 | | . SENSOR,SPEED - VF1976 (9550179160) NON REPAIRABLE NON PROCURABLE POST ACR (AE 50609) PRE TU 121A (AE 51397) | a | 3 |
| -010B | 610523-02 | | . SENSOR,SPEED - V97424 (9550172120) NON REPAIRABLE NON PROCURABLE PRE TU 121A (AE 51397) | b | 3 |
| -010C | VIT7100030 | | . SENSOR,SPEED - VF6840 (9550175800) NON REPAIRABLE PRE TU 121A (AE 51397) | c | 3 |
| -010D | 1604000-01 | | DELETED - VF1976 (9550179160) | | |
| -010E | 388Z-05644 | | . SENSOR,SPEED - VS3866 (9550000100) NON REPAIRABLE POST ACR (AE 95013) PRE TU121A (AE 51397) | | 3 |
| -010F | | | DELETED | | |
| -010G | | | DELETED | | |
| -010H | | | DELETED | | |
| -010J | | | DELETED | | |
| 012 | EN3686050016 | | ATTACHING PARTS . SCREW - VI9005 (9836405016) PRE TU121A (AE 51397) *** | | 3 |
| 015 | 1604-000 | | . SENSOR,SPEED - VF1976 (9550177360) NON REPAIRABLE POST TU121A (AE 51397) USE WITH ITEM 020A | | 1 |

- ITEM NOT ILLUSTRATED

SAFRAN HELICOPTER ENGINES

ARRIEL 2 C2

MAINTENANCE SPARE PARTS CATALOG

| FIGURE ITEM | PART NUMBER | AIRL. STOCK No. | DESCRIPTION | EFFECT | QTY |
|----------------|--------------|-----------------------|--|--------|-----|
| | | | 1 2 3 4 5 6 7 | | |
| 01 -015A | VIT7100030 | | . SENSOR,SPEED - VF6840 (9550175800) NON REPAIRABLE POST TU121A (AE 51397) USE WITH ITEM 020 ATTACHING PARTS | | 1 |
| 017 | EN3686050016 | | . SCREW - VI9005 (9836405016) POST TU121A (AE 51397) *** | | 1 |
| 020 | 1604-000 | | . SENSOR,SPEED - VF1976 (9550177360) NON REPAIRABLE POST TU121A (AE 51397) USE WITH ITEM 015A | | 2 |
| -020A | VIT7100030 | | . SENSOR,SPEED - VF6840 (9550175800) NON REPAIRABLE POST TU121A (AE 51397) USE WITH ITEM 015 ATTACHING PARTS | | 2 |
| 022 | EN3686050016 | | . SCREW - VI9005 (9836405016) POST TU121A (AE 51397) *** | | 2 |
| 040 | 9681801222 | | . PACKING,PREFORMED | | 3 |

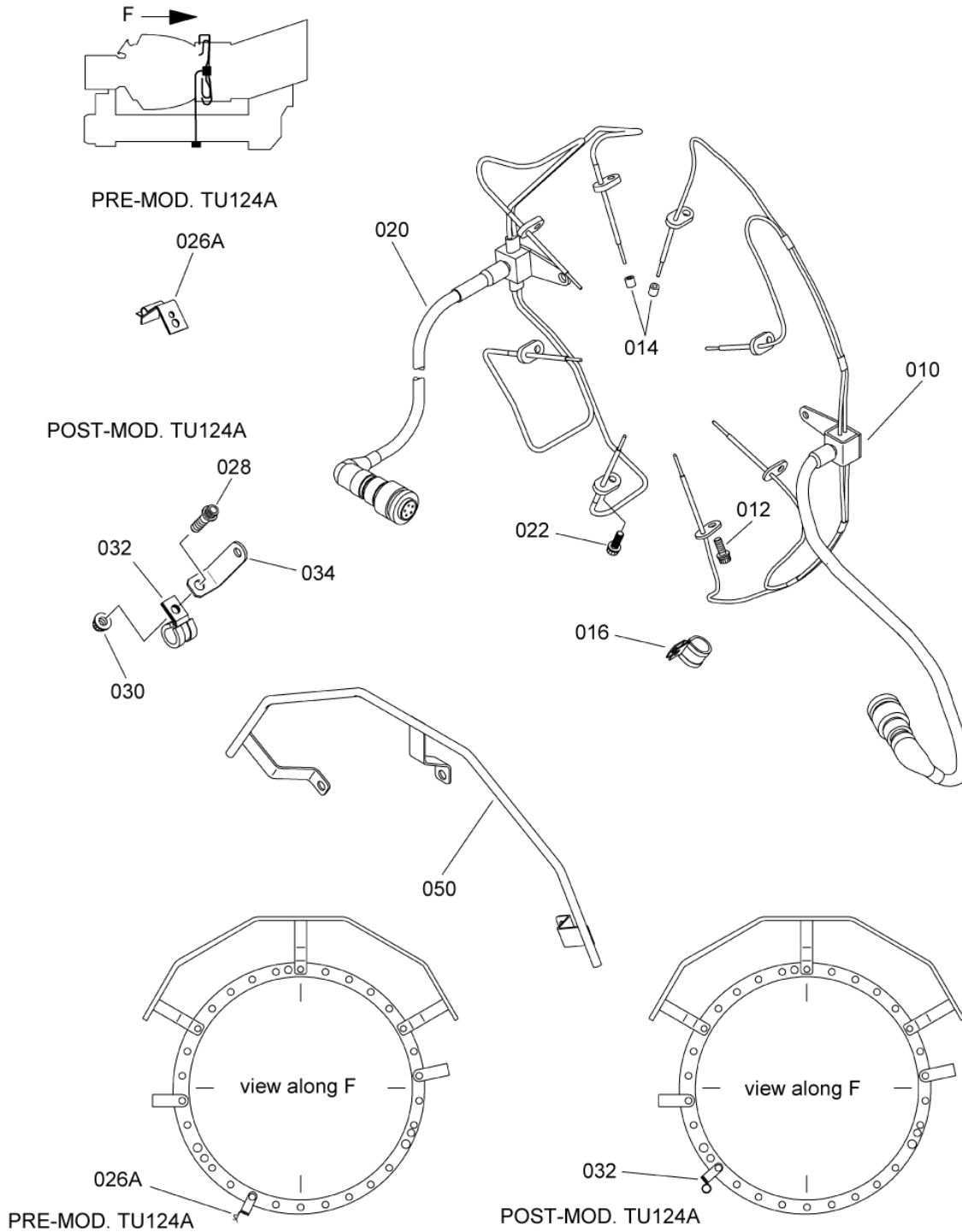
- ITEM NOT ILLUSTRATED

PAGE LEFT BLANK INTENTIONALLY

DETAILED PART LIST

TEMPERATURE

77-20-00



INST., HARNESS, PYROMETRIC
Figure 01

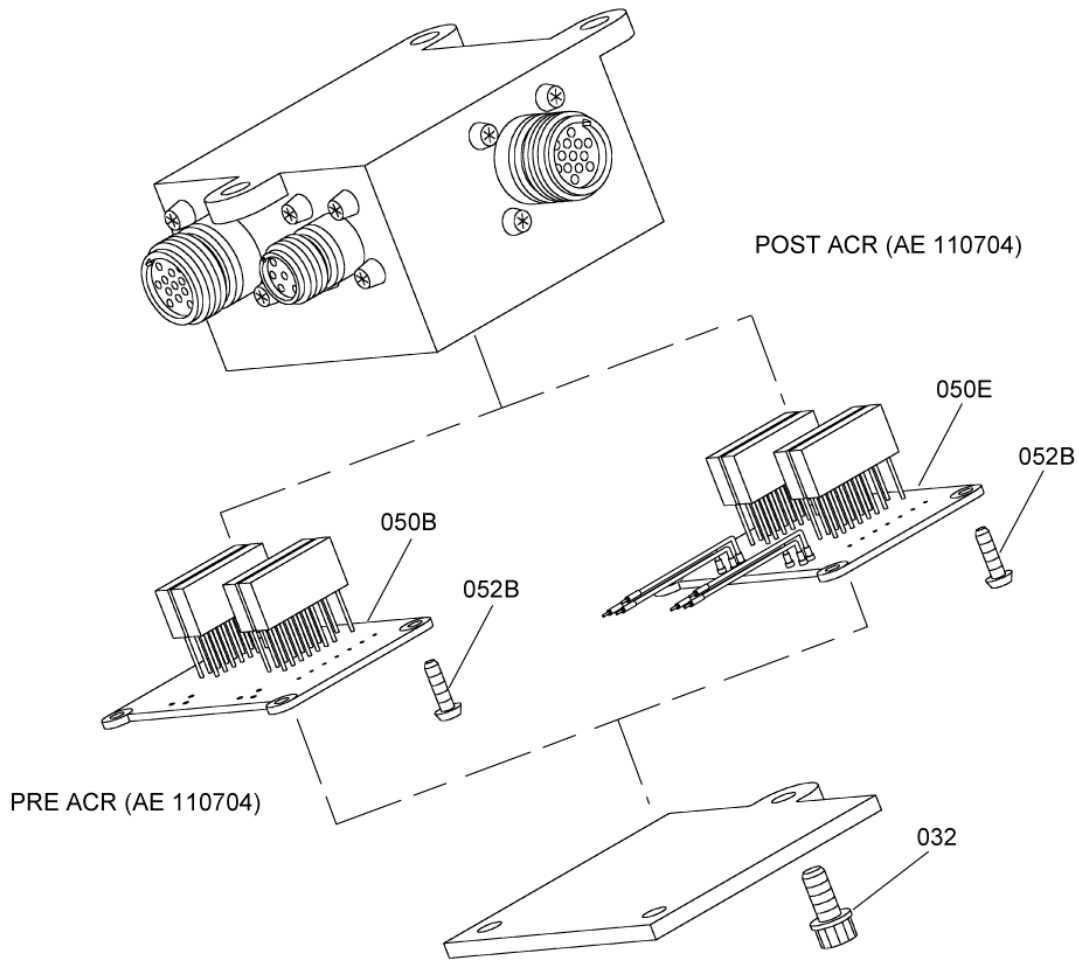
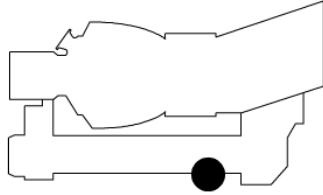
SAFRAN HELICOPTER ENGINES

ARRIEL 2 C2

MAINTENANCE SPARE PARTS CATALOG

| FIGURE ITEM | PART NUMBER | AIRL. STOCK No. | DESCRIPTION | EFFECT | QTY |
|----------------|---------------|-----------------------|---|--------|-----|
| | | | 1 2 3 4 5 6 7 | | |
| 01 | | | | | |
| -001 | - | | INST.,HARNES,PYROMETRIC NON PROCURABLE REFER TO CHAP. 77-00-00 FIG.01 ITEM 030 | | RF |
| 010 | TC382-00 | | . HARNES,PYROMETRIC, LEFT SIDE - PREFERRED ASSEMBLY - VF2276 (9550178230) NON REPAIRABLE | | 1 |
| -010A | TCH03-K10-100 | | . HARNES,PYROMETRIC, LEFT SIDE - VF7917 (9550178220) NON REPAIRABLE ALTERNATE ITEM 010 | | 1 |
| 012 | EN2928-050010 | | ATTACHING PARTS . SCREW - VI9005 (9836005010) *** | | 4 |
| 014 | 0292760420 | | . SLEEVE | | 2 |
| 016 | 21F6 | | . CLAMP - VF0215 (9562811300) PRE ACR (AE 69502) | | 1 |
| -016A | 21F9,5 | | . CLAMP - VF0215 (9562811260) POST ACR (AE 69502) | | 1 |
| 020 | TC382-00 | | . HARNES,PYROMETRIC, RIGHT SIDE - VF2276 (9550178230) NON REPAIRABLE | | 1 |
| -020A | TCH03-K10-100 | | . HARNES,PYROMETRIC, RIGHT SIDE - PREFERRED ASSEMBLY - VF7917 (9550178220) NON REPAIRABLE ALTERNATE ITEM 020 | | 1 |
| 022 | EN2928-050010 | | ATTACHING PARTS . SCREW - VI9005 (9836005010) | | 4 |
| -026 | 0333767010 | | . CLIP PRE ACR (AE 50568) | | 1 |
| 026A | 0319767180 | | . CLIP PRE TU 124A (AE 51513) POST ACR (AE 50568) | | 1 |
| 028 | EN3686050014 | | . SCREW - VI9005 (9836405014) POST TU 124A (AE 51513) | | 1 |
| 030 | 9866205026 | | . NUT 9866205026 IS THE SAFRAN HE PART NUMBER FOR: VF0111 - 22526-050 VI9005 - EN2906-050 POST TU 124A (AE 51513) | | 1 |
| 032 | 21F9,5 | | . CLAMP - VF0215 (9562811260) POST TU 124A (AE 51513) | | 1 |
| 034 | 0333750630 | | . BRACKET,ANGLE POST TU 124A (AE 51513) *** | | 1 |
| 050 | 0292767070 | | . PROTECTION,PYROMETRIC HARNES | | 1 |

- ITEM NOT ILLUSTRATED



BOX,JUNCTION,T4-5 MATCHING
Figure 01

SAFRAN HELICOPTER ENGINES

ARRIEL 2 C2

MAINTENANCE SPARE PARTS CATALOG

| FIGURE ITEM | PART NUMBER | AIRL. STOCK No. | DESCRIPTION | EFFECT | QTY |
|----------------|----------------|-----------------------|---|--------|-----|
| | | | 1 2 3 4 5 6 7 | | |
| 01 | | | | | |
| -001 | | | DELETED | | |
| -001A | | | DELETED | | |
| -001B | 0292697520 | | BOX,JUNCTION,T4-5 MATCHING REPAIRABLE POST TU 033A (AE 46734) PRE ACR (AE 110704) | c | RF |
| -001C | | | DELETED | | |
| -001D | | | DELETED | | |
| -001E | 0292697900 | | BOX,JUNCTION,T4-5 MATCHING REPAIRABLE POST ACR (AE 110704) REFER TO CHAP. 72-43-00 FIG.01 ITEM 010 | f | RF |
| 032 | EN3686050010 | | ATTACHING PARTS . SCREW - VI9005 (9836405010) *** | | 3 |
| -050 | | | DELETED | | |
| -050A | | | DELETED | | |
| 050B | 0292697530 | | . CARD,T4 CONFORMATION POST TU 033A (AE 46734) PRE ACR (AE 110704) | c | 1 |
| -050C | | | DELETED | | |
| 050D | | | DELETED | | |
| 050E | 0292697930 | | . CARD,T4 CONFORMATION EQUIPPED POST ACR (AE 110704) | f | 1 |
| -052 | | | DELETED | | |
| -052A | 22294CE030010E | | . SCREW - VF0111 (9847301000) POST ACR (AE 45320) | | 4 |
| 052B | 22296CF030010E | | . SCREW - VF0111 (9848301029) POST ACR (AE 45320) *** | | 4 |

- ITEM NOT ILLUSTRATED

CHAPTER 79 - LIST OF EFFECTIVE PAGES

| <u>Chapter Section Subject</u> | <u>Figure</u> | <u>Title</u> | <u>Pages</u> | <u>Date</u> |
|--|---------------|-------------------------|--------------|--------------|
| 79 | | LIST OF EFFECTIVE PAGES | * 1 - 2 | June 15/2023 |
| 79 | | TABLE OF CONTENTS | 1 - 2 | Apr. 30/2014 |
| 79-00-00 | TITLE | SYSTEM, OIL | 1 | Nov. 30/2009 |
| 79-00-00 | 01 | SYSTEM,OIL | 0 | Nov. 30/2009 |
| 79-00-00 | 01 | | 1 | Nov. 30/2009 |
| 79-20-00 | TITLE | DISTRIBUTION | 1 | Nov. 30/2009 |
| 79-24-00 | 01-1/2 | OIL PUMP | 0 | June 15/2022 |
| 79-24-00 | BLANK | | 0 | June 15/2022 |
| 79-24-00 | 01-2/2 | | 0 | June 15/2022 |
| 79-24-00 | 01 | | 1 - 3 | June 15/2022 |
| 79-24-01 | 01 | PUMP,OIL | * 0 | June 15/2023 |
| 79-24-01 | 01 | | * 1 | June 15/2023 |
| 79-25-00 | 01 | VALVE ASSY | 0 | Nov. 30/2015 |
| 79-25-00 | 01 | | 1 | Nov. 30/2015 |
| 79-25-01 | 01 | VALVE ASSY | 0 | June 15/2022 |
| 79-25-01 | 01 | | 1 | June 15/2022 |
| 79-29-00 | 01-1/2 | PIPES,OIL | 0 | June 15/2021 |
| 79-29-00 | BLANK | | 0 | June 15/2021 |
| 79-29-00 | 01-2/2 | | 0 | June 15/2021 |
| 79-29-00 | 01 | | 1 - 3 | June 15/2021 |
| 79-30-00 | TITLE | INDICATING | 1 | Nov. 30/2009 |
| 79-31-00 | 01 | SWITCH,LOW OIL PRESSURE | 0 | Nov. 30/2015 |
| 79-31-00 | 01 | | 1 | Nov. 30/2015 |
| 79-38-00 | 01 | PLUGS,ELECTRIC MAGNETIC | 0 | Nov. 30/2015 |
| 79-38-00 | 01 | | 1 | Nov. 30/2015 |

* Page modified following update No. 49

PAGE LEFT BLANK INTENTIONALLY

CHAPTER 79 - TABLE OF CONTENTS

| <u>Title</u> | <u>Chapter Section Subject</u> | <u>Figure</u> |
|-------------------------|--|---------------|
| SYSTEM, OIL | 79-00-00 | |
| SYSTEM,OIL | 79-00-00 | 01 |
| DISTRIBUTION | 79-20-00 | |
| OIL PUMP | 79-24-00 | 01 |
| PUMP,OIL | 79-24-01 | 01 |
| I | | |
| VALVE ASSY | 79-25-00 | 01 |
| VALVE ASSY | 79-25-01 | 01 |
| PIPES,OIL | 79-29-00 | 01 |
| INDICATING | 79-30-00 | |
| SWITCH,LOW OIL PRESSURE | 79-31-00 | 01 |
| PLUGS,ELECTRIC MAGNETIC | 79-38-00 | 01 |

PAGE LEFT BLANK INTENTIONALLY

DETAILED PART LIST

SYSTEM, OIL

79-00-00

FIGURE NOT ILLUSTRATED

SYSTEM,OIL
Figure 01

TURBOMECA ARRIEL 2 C2

MAINTENANCE SPARE PARTS CATALOG

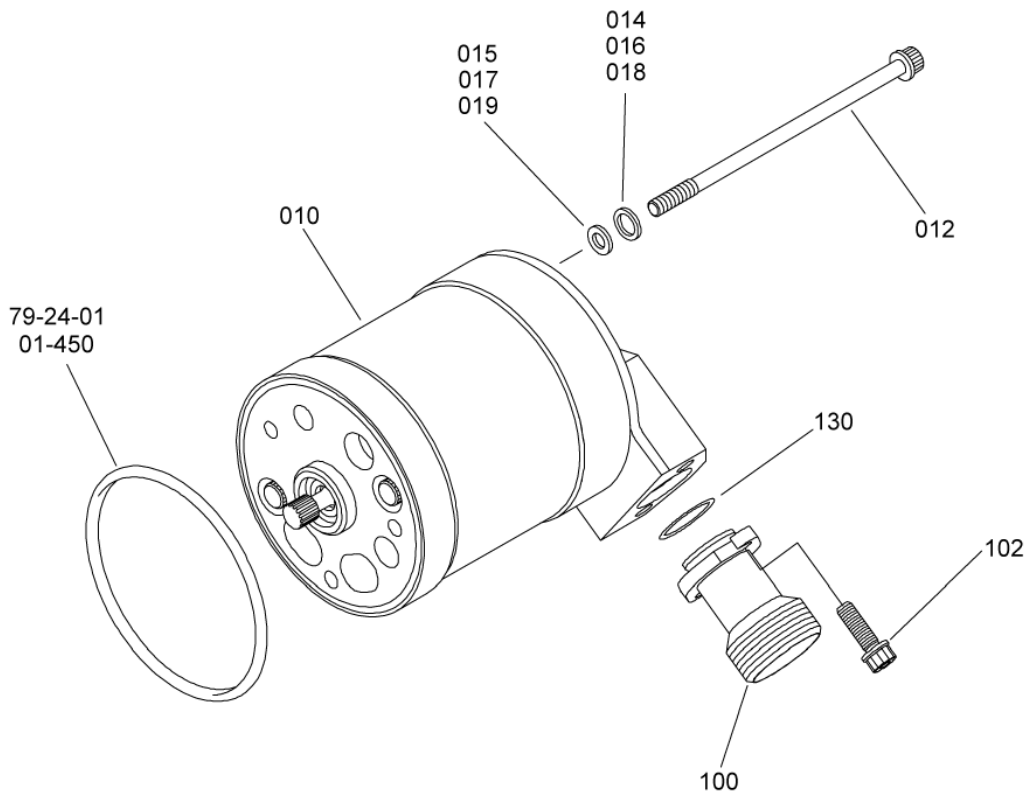
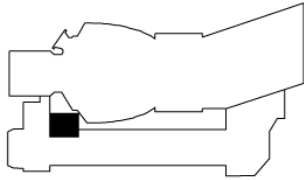
| FIGURE ITEM | PART NUMBER | AIRL. STOCK No. | DESCRIPTION | EFFECT | QTY |
|----------------|-------------|-----------------------|---|--------|-----|
| | | | 1 2 3 4 5 6 7 | | |
| 01 -001 | - | | SYSTEM,OIL NON PROCURABLE REFER TO CHAP. 71-00-00 FIG.01 ITEM 070 | | RF |
| -010 | - | | . INST.,OIL PUMP NON PROCURABLE REFER TO CHAP.79-24-00 FOR DETAILS | | 1 |
| -020 | - | | . INST.,VALVE ASSY NON PROCURABLE REFER TO CHAP.79-25-00 FOR DETAILS | | 1 |
| -030 | - | | . INST.,PIPES,OIL NON PROCURABLE REFER TO CHAP.79-29-00 FOR DETAILS | | 1 |
| -040 | - | | . INST.,SWITCH,LOW OIL PRESSURE NON PROCURABLE REFER TO CHAP.79-31-00 FOR DETAILS | | 1 |
| -050 | - | | . INST.,PLUGS,ELECTRIC MAGNETIC NON PROCURABLE REFER TO CHAP.79-38-00 FOR DETAILS | | 1 |

- ITEM NOT ILLUSTRATED

DETAILED PART LIST

DISTRIBUTION

79-20-00



INST.,OIL PUMP
Figure 01 (Sheet 1/2)

PAGE LEFT BLANK INTENTIONALLY

SAFRAN HELICOPTER ENGINES

ARRIEL 2 C2

MAINTENANCE SPARE PARTS CATALOG

| FIGURE ITEM | PART NUMBER | AIRL. STOCK No. | DESCRIPTION | EFFECT | QTY |
|----------------|-------------|-----------------------|---|--------|-----|
| | | | 1 2 3 4 5 6 7 | | |
| 01 | | | | | |
| -001 | - | | INST.OIL PUMP NON PROCURABLE REFER TO CHAP. 79-00-00 FIG.01 ITEM 010 | | RF |
| 010 | 0292125120 | | . PUMP,OIL REPAIRABLE PRE TU 136A (AE 49493) POST IMS 01 BECOMES ITEM 010C POST TU230 (AE 122110) AND POST TU136A (AE 49493) BECOMES ITEM 010E | | 1 |
| -010A | 0292125060 | | . PUMP,OIL REPAIRABLE PRE TU 136A (AE 49493) POST TU230 (AE 122110) AND POST TU136A (AE 49493) BECOMES ITEM 010D | | 1 |
| -010B | 0292125150 | | . PUMP,OIL REPAIRABLE POST IMS 02 BECOMES ITEM 010C POST TU 136A (AE 49493) PRE TU230 (AE 122110) | | 1 |
| -010C | 0292125130 | | . PUMP,OIL REPAIRABLE POST TU 136A (AE 49493) POST IMS 01 RETROFIT ITEM 010 POST IMS 02 RETROFIT ITEM 010B PRE TU230 (AE 122110) REFER TO CHAP.79-24-01 FOR DETAILS | | 1 |
| -010D | 0292121020 | | . PUMP,OIL REPAIRABLE POST TU230 (AE 122110) POST TU230 (AE 122110) AND POST TU136A (AE 49493) RETROFIT ITEM 010A | | 1 |
| -010E | 0292121000 | | . PUMP,OIL POST TU230 (AE 122110) POST TU230 (AE 122110) AND POST TU136A (AE 49493) RETROFIT ITEM 010 REFER TO CHAP.79-24-01 FOR DETAILS | | 1 |
| | | | ATTACHING PARTS | | |
| 012 | 0000025590 | | . SCREW | | 3 |
| 014 | 0000412530 | | . WASHER | | 1 |
| 015 | 9681500404 | | . PACKING,PREFORMED | | 1 |
| 016 | 0000412530 | | . WASHER | | 1 |
| 017 | 9681500404 | | . PACKING,PREFORMED | | 1 |
| 018 | 0000412530 | | . WASHER | | 1 |
| 019 | 9681500404 | | . PACKING,PREFORMED *** | | 1 |
| 100 | 0292720620 | | . UNION,FLANGE | | 1 |

- ITEM NOT ILLUSTRATED

SAFRAN HELICOPTER ENGINES

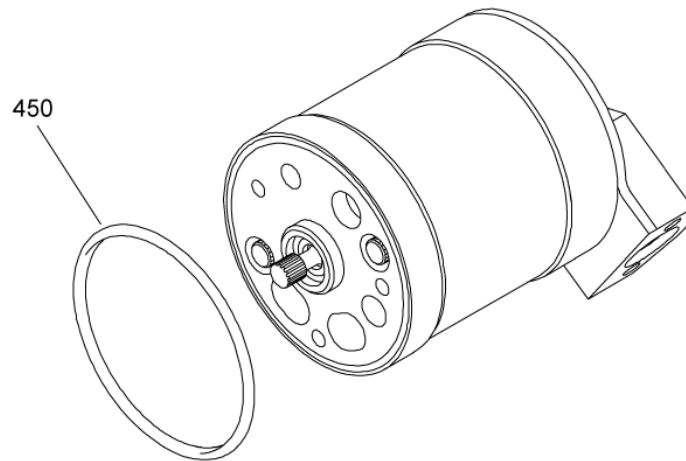
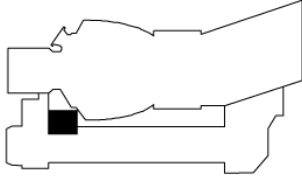
ARRIEL 2 C2

MAINTENANCE SPARE PARTS CATALOG

| FIGURE ITEM | PART NUMBER | AIRL. STOCK No. | DESCRIPTION | EFFECT | QTY |
|----------------|-------------|-----------------------|---|--------|-----|
| | | | 1 2 3 4 5 6 7 | | |
| 01 | | | | | |
| 102 | 0000025820 | | . ATTACHING PARTS . SCREW *** | | 2 |
| 130 | 46012A01500 | | . PACKING,PREFORMED - VF0111 (9794410150) | | 1 |

- ITEM NOT ILLUSTRATED

PAGE LEFT BLANK INTENTIONALLY



PUMP,OIL
Figure 01

SAFRAN HELICOPTER ENGINES

ARRIEL 2 C2

MAINTENANCE SPARE PARTS CATALOG

| FIGURE ITEM | PART NUMBER | AIRL. STOCK No. | DESCRIPTION | EFFECT | QTY |
|----------------|-------------|-----------------------|---|--------|-----|
| | | | 1 2 3 4 5 6 7 | | |
| 01 | | | | | |
| -001 | 0292125060 | | PUMP,OIL REPAIRABLE POST TU136A (AE 49493) AND POST TU230 (AE 122110) BECOMES ITEM 001D PRE TU136A (AE 49493) | a | RF |
| -001A | 0292125120 | | PUMP,OIL REPAIRABLE PRE TU136A (AE 49493) POST TU136A (AE 49493) AND POST TU230 (AE 122110) BECOMES ITEM 001E POST IMS 01 BECOMES ITEM 001C | b | RF |
| -001B | 0292125150 | | PUMP,OIL REPAIRABLE POST TU136A (AE 49493) POST IMS 02 BECOMES ITEM 001C PRE TU230 (AE 122110) | c | RF |
| -001C | 0292125130 | | PUMP,OIL REPAIRABLE POST TU136A (AE 49493) POST IMS 02 RETROFIT ITEM 001B POST IMS 01 RETROFIT ITEM 001A PRE TU230 (AE 122110) | d | RF |
| -001D | 0292121000 | | PUMP,OIL POST TU230 (AE 122110) POST TU136A (AE 49493) AND POST TU230 (AE 122110) RETROFIT ITEM 001 POST TU136A (AE 49493) | e | RF |
| -001E | 0292121020 | | PUMP,OIL POST TU230 (AE 122110) POST TU136A (AE 49493) AND POST TU230 (AE 122110) RETROFIT ITEM 001A REFER TO CHAP. 79-24-00 FIG.01 ITEM 010 | f | RF |
| 450 | 46012A06700 | | . PACKING,PREFORMED - VF0111 (9794410670) PRE ACR (AE 49244) | | 2 |
| -450A | 46012A06700 | | . PACKING,PREFORMED - VF0111 (9794410670) POST ACR (AE 49244) PRE ACR (AE 69256) | | 1 |
| -450B | 46012A07100 | | . PACKING,PREFORMED - VF0111 (9794410710) POST ACR (AE 69256) | | 1 |

- ITEM NOT ILLUSTRATED

SAFRAN HELICOPTER ENGINES

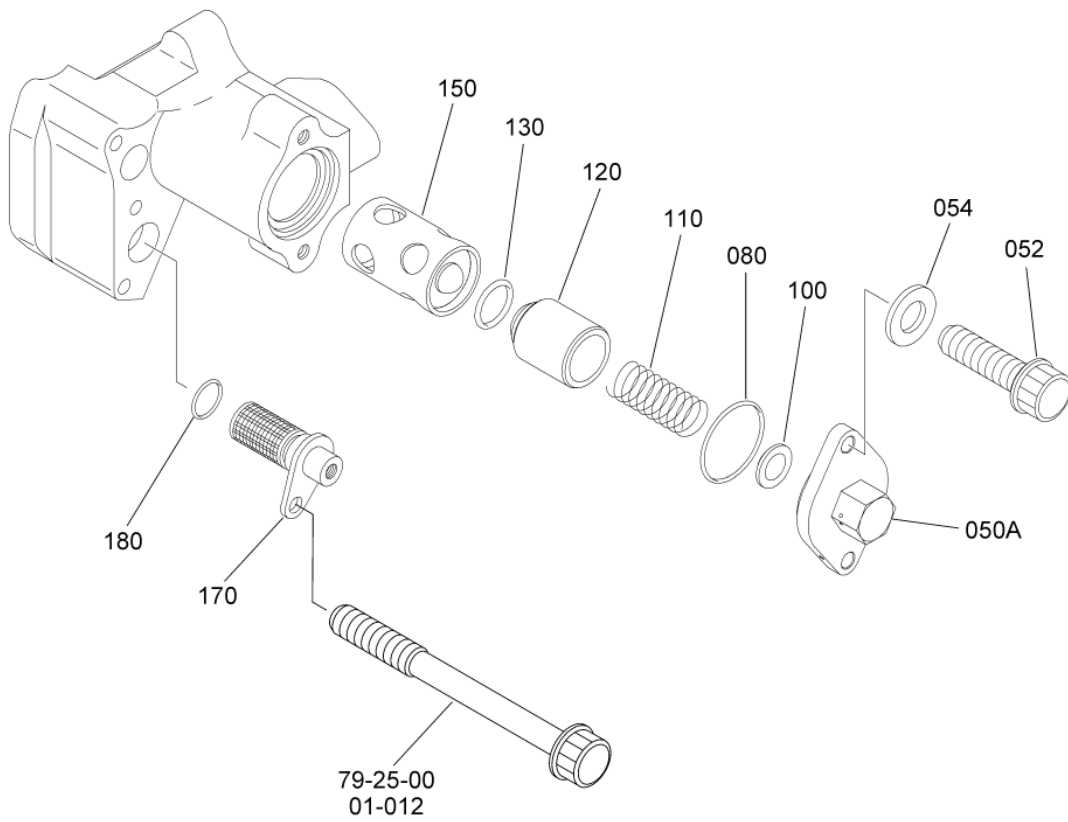
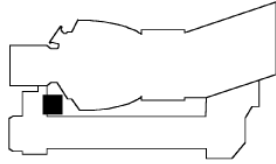
ARRIEL 2 C2

MAINTENANCE SPARE PARTS CATALOG

| FIGURE ITEM | PART NUMBER | AIRL. STOCK No. | DESCRIPTION | EFFECT | QTY |
|----------------|--------------|-----------------------|---|--------|-----|
| | | | 1 2 3 4 5 6 7 | | |
| 01 -001 | - | | INST.,VALVE ASSY NON PROCURABLE REFER TO CHAP. 79-00-00 FIG.01 ITEM 020 | | RF |
| 010 | 0292727300 | | . VALVE ASSY REPAIRABLE REFER TO CHAP.79-25-01 FOR DETAILS | | 1 |
| 012 | EN3686050050 | | ATTACHING PARTS . SCREW - VI9005 (9836405050) | | 3 |
| 014 | 23112CF050 | | . WASHER - VF0111 (9975050024) *** | | 2 |
| 030 | 46012A01060 | | . PACKING,PREFORMED - VF0111 (9794410106) | | 1 |
| 040 | 46012A01250 | | . PACKING,PREFORMED - VF0111 (9794410125) | | 1 |
| 100 | 0292720630 | | . UNION,FLANGE | | 1 |
| 102 | EN3686050016 | | ATTACHING PARTS . SCREW - VI9005 (9836405016) *** | | 2 |
| 130 | 46012A01500 | | . PACKING,PREFORMED - VF0111 (9794410150) | | 1 |

- ITEM NOT ILLUSTRATED

ARRIEL 2 C2



VALVE ASSY
Figure 01

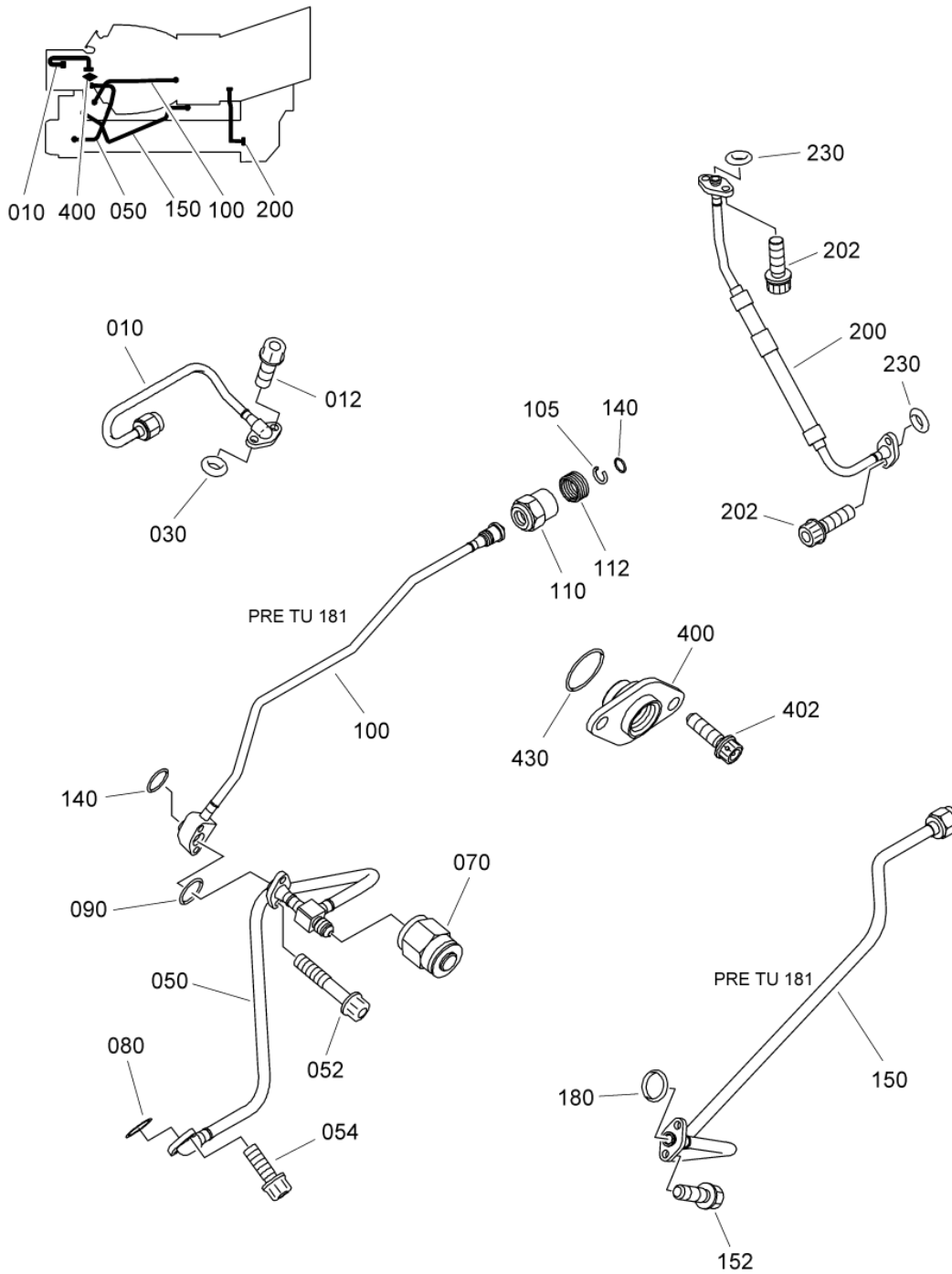
SAFRAN HELICOPTER ENGINES

ARRIEL 2 C2

MAINTENANCE SPARE PARTS CATALOG

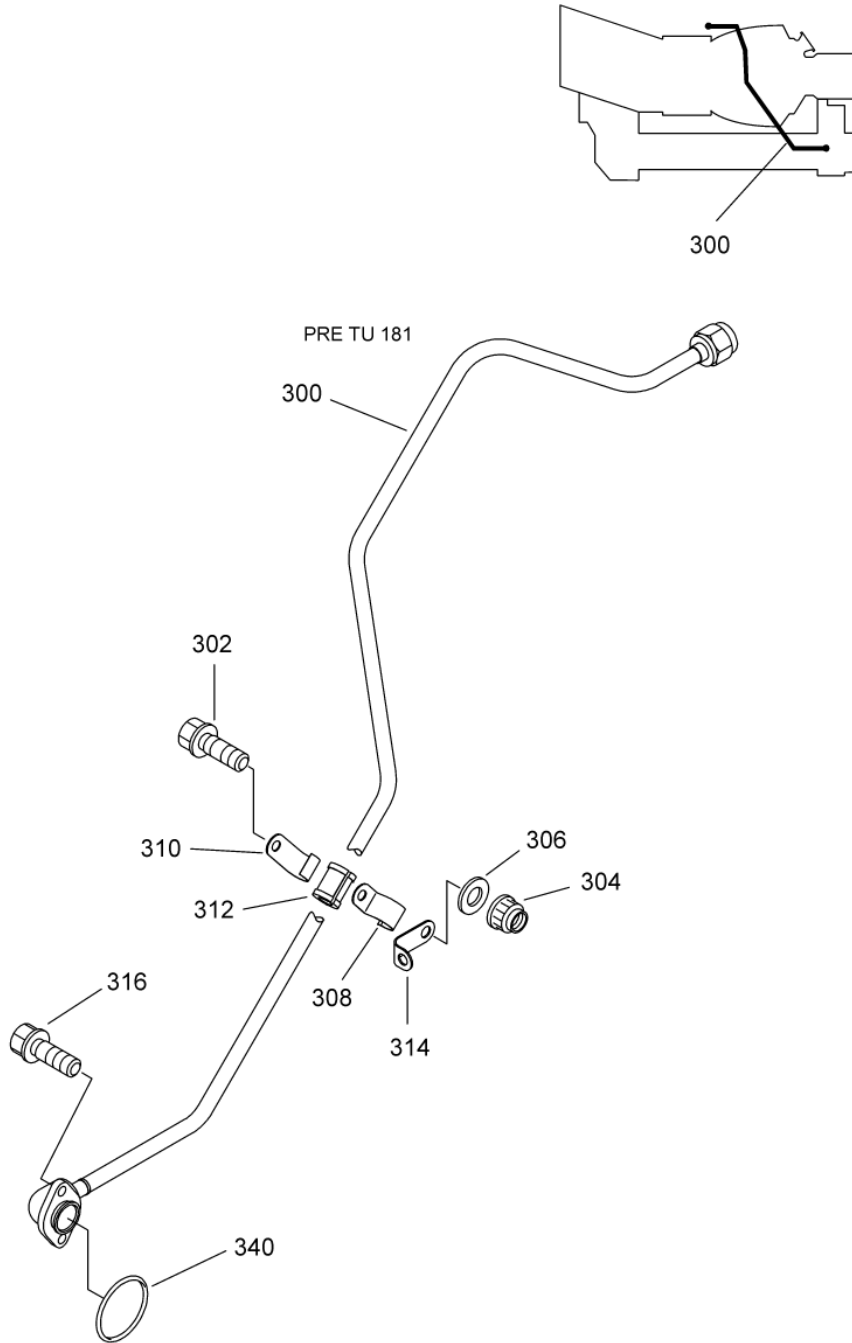
| FIGURE ITEM | PART NUMBER | AIRL. STOCK No. | DESCRIPTION | EFFECT | QTY |
|----------------|--------------|-----------------------|---|--------|-----|
| | | | 1 2 3 4 5 6 7 | | |
| 01 | | | | | |
| -001A | 0292727300 | | VALVE ASSY REPAIRABLE REFER TO CHAP. 79-25-00 FIG.01 ITEM 010 | b | RF |
| -050 | | | DELETED | | |
| 050A | 0292720560 | | . COVER ASSY | b | 1 |
| | | | ATTACHING PARTS | | |
| 052 | EN3686050018 | | . SCREW - VI9005 (9836405018) | | 2 |
| 054 | 23112CF050 | | . WASHER - VF0111 (9975050024) | | 2 |
| | | | *** | | |
| 080 | 9682002402 | | . PACKING,PREFORMED | | 1 |
| 100 | 0210140070 | | . CUP | | 1 |
| 110 | 0000507990 | | . SPRING | | 1 |
| 120 | 0210140170 | | . PISTON | | 1 |
| 130 | 9683001083 | | . PACKING,PREFORMED | | 1 |
| 150 | 0210140150 | | . SLEEVE PRE ACR (AE 114041) | | 1 |
| -150A | 0292720960 | | . SLEEVE POST ACR (AE 114041) | | 1 |
| 170 | 0292727040 | | . STRAINER | | 1 |
| 180 | 46012A01000 | | . PACKING,PREFORMED - VF0111 (9794410100) | | 1 |

- ITEM NOT ILLUSTRATED



INST.,PIPES,OIL
Figure 01 (Sheet 1/2)

PAGE LEFT BLANK INTENTIONALLY



INST.,PIPES,OIL
Figure 01 (Sheet 2/2)

SAFRAN HELICOPTER ENGINES

ARRIEL 2 C2

MAINTENANCE SPARE PARTS CATALOG

| FIGURE ITEM | PART NUMBER | AIRL. STOCK No. | DESCRIPTION | EFFECT | QTY |
|----------------|--------------|-----------------------|---|--------|-----|
| | | | 1 2 3 4 5 6 7 | | |
| 01 | | | | | |
| -001 | - | | INST.,PIPES,OIL NON PROCURABLE REFER TO CHAP. 79-00-00 FIG.01 ITEM 030 | | RF |
| 010 | 0292727240 | | . PIPE,OIL,FRONT BEARING SUPPLY | | 1 |
| 012 | EN3686050014 | | ATTACHING PARTS . SCREW - VI9005 (9836405014) *** | | 2 |
| 030 | 46012A00560 | | . PACKING,PREFORMED - VF0111 (9794410056) | | 1 |
| 050 | 0292727320 | | . PIPE,OIL SUPPLY | | 1 |
| 052 | EN3686050026 | | ATTACHING PARTS . SCREW - VI9005 (9836405026) | | 2 |
| 054 | EN3686050014 | | . SCREW - VI9005 (9836405014) *** | | 2 |
| 070 | 9932307060 | | . . PLUG ASSY,AN | | 1 |
| 080 | 46012A00750 | | . PACKING,PREFORMED - VF0111 (9794410075) | | 1 |
| 090 | 46012A00750 | | . PACKING,PREFORMED - VF0111 (9794410075) | | 1 |
| 100 | 0292727330 | | . PIPE,OIL,REAR BEARING SUPPLY PRE TU 181 (AE 93952) | | 1 |
| -100A | 0292720860 | | . PIPE,OIL,REAR BEARING SUPPLY POST TU 181 (AE 93952) PRE TU198 (AE 109838) | | 1 |
| -100B | 0292720920 | | . PIPE,OIL,REAR BEARING SUPPLY POST TU198 (AE 109838) | | 1 |
| -102 | 23320CA050 | | . LOCKING WIRE - VF0111 (9997405001) POST ACR (AE 109945) | | AR |
| 105 | 0000130960 | | . . RING,RETAINING PART OF ITEM 100 | | 1 |
| 110 | 0000267000 | | . . NUT,UNION,EQUIPPED PART OF ITEM 100 | | 1 |
| -110A | 0000260060 | | . . NUT,UNION,EQUIPPED PART OF ITEM 100A | | 1 |
| 112 | 01325164009 | | . . . THREAD,INSERT - VF1699 (0000190420) PART OF ITEM 110 | | 1 |
| -112A | 01329144001 | | . . . THREAD,INSERT - VF1699 (0000190050) PART OF ITEM 110A | | 1 |
| 140 | 46012A00750 | | . PACKING,PREFORMED - VF0111 (9794410075) PRE TU 181 (AE 93952) | | 2 |
| -140A | 46012A00750 | | . PACKING,PREFORMED - VF0111 (9794410075) POST TU 181 (AE 93952) | | 1 |
| 150 | 0292727250 | | . PIPE,SCAVENGE,REAR BEARING PRE TU 181 (AE 93952) | | 1 |
| -150A | 0292720870 | | . PIPE,SCAVENGE,REAR BEARING POST TU 181 (AE 93952) PRE TU198 (AE 109838) | | 1 |
| -150B | 0292720930 | | . PIPE,SCAVENGE,REAR BEARING POST TU198 (AE 109838) | | 1 |

- ITEM NOT ILLUSTRATED

SAFRAN HELICOPTER ENGINES

ARRIEL 2 C2

MAINTENANCE SPARE PARTS CATALOG

| FIGURE ITEM | PART NUMBER | AIRL. STOCK No. | DESCRIPTION | EFFECT | QTY |
|----------------|--------------|-----------------------|--|--------|-----|
| | | | 1 2 3 4 5 6 7 | | |
| 01 | | | ATTACHING PARTS | | |
| 152 | EN3686050016 | | . SCREW - VI9005 (9836405016) *** | | 2 |
| -154 | 23320CA050 | | . LOCKING WIRE - VF0111 (9997405001) POST ACR (AE 109945) | | AR |
| 180 | 46012A00750 | | . PACKING,PREFORMED - VF0111 (9794410075) | | 1 |
| 200 | A22983-01 | | . PIPE,FLEXIBLE - VF6409 (9560165040) PRE ACR (AE 65530) | | 1 |
| -200A | A22989-01 | | . PIPE,FLEXIBLE - VF6409 (9560162070) POST ACR (AE 65530) | | 1 |
| -200B | 9993160 | | . PIPE,FLEXIBLE - VF6285 (9560166950) POST ACR (AE 106643) ALTERNATE ITEM 200 | | 1 |
| 202 | EN3686050016 | | ATTACHING PARTS . SCREW - VI9005 (9836405016) NON PROCURABLE PRE ACR (AE 48952) | | 4 |
| -202A | EN3686050014 | | . SCREW - VI9005 (9836405014) POST ACR (AE 48952) *** | | 4 |
| 230 | 46012A00560 | | . PACKING,PREFORMED - VF0111 (9794410056) | | 2 |
| 300 | 0292727260 | | . PIPE,REAR BEARING BREATHING PRE TU 181 (AE 93952) | | 1 |
| -300A | 0292720880 | | . PIPE,REAR BEARING BREATHING POST TU 181 (AE 93952) | | 1 |
| 302 | EN3686050014 | | ATTACHING PARTS . SCREW - VI9005 (9836405014) | | 1 |
| -302A | EN3686050012 | | . SCREW - VI9005 (9836405012) POST ACR (AE 120621) ALTERNATE ITEM 302 | | 1 |
| 304 | 9866205026 | | . NUT 9866205026 IS THE SAFRAN HE PART NUMBER FOR: VF0111 - 22526-050 VI9005 - EN2906-050 | | 1 |
| 306 | 23112CF050 | | . WASHER - VF0111 (9975050024) PRE ACR (AE 67243) | | 1 |
| 308 | AS12842 | | . HALF CLAMP,OUTER - VU1653 (0400420020) | | 1 |
| 310 | AS12812 | | . HALF CLAMP,INNER - VU1653 (0400410020) | | 1 |
| 312 | AS12874 | | . SLEEVE - VU1653 (0400430080) | | 1 |
| 314 | 0301010540 | | . BRACKET,ANGLE | | 1 |
| 316 | EN3686050014 | | . SCREW - VI9005 (9836405014) *** | | 2 |
| 340 | 46012A01500 | | . PACKING,PREFORMED - VF0111 (9794410150) | | 1 |
| 400 | 0292720520 | | . FLANGE,ADAPTATION | | 1 |

- ITEM NOT ILLUSTRATED

SAFRAN HELICOPTER ENGINES

ARRIEL 2 C2

MAINTENANCE SPARE PARTS CATALOG

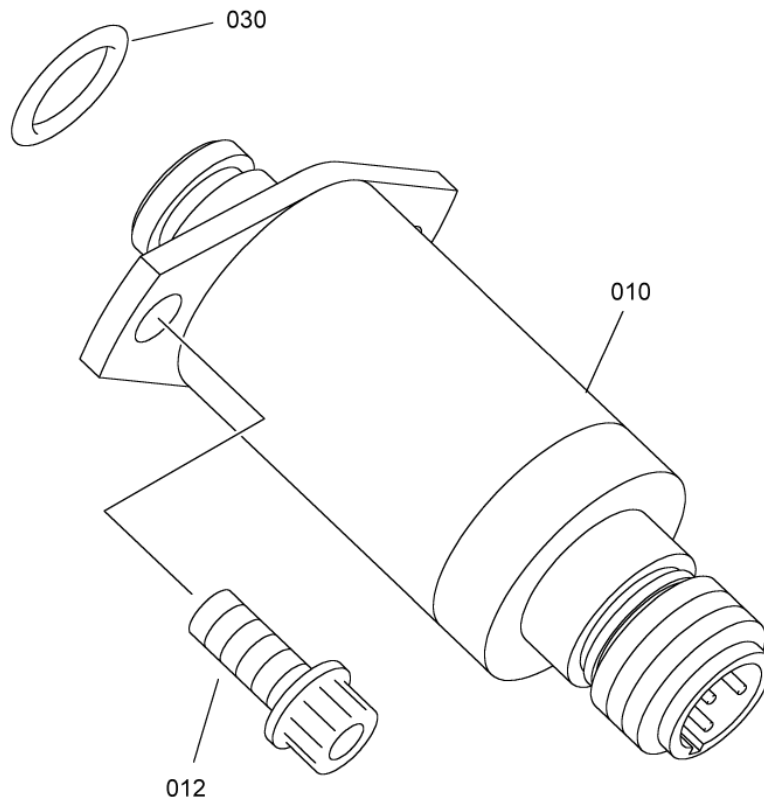
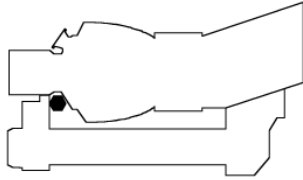
| FIGURE ITEM | PART NUMBER | AIRL. STOCK No. | DESCRIPTION | EFFECT | QTY |
|----------------|--------------|-----------------------|---|--------|-----|
| | | | 1 2 3 4 5 6 7 | | |
| 01 | | | | | |
| 402 | EN3686050016 | | ATTACHING PARTS . SCREW - VI9005 (9836405016) *** | | 2 |
| 430 | 46012A01500 | | . PACKING,PREFORMED - VF0111 (9794410150) | | 1 |

- ITEM NOT ILLUSTRATED

DETAILED PART LIST

INDICATING

79-30-00



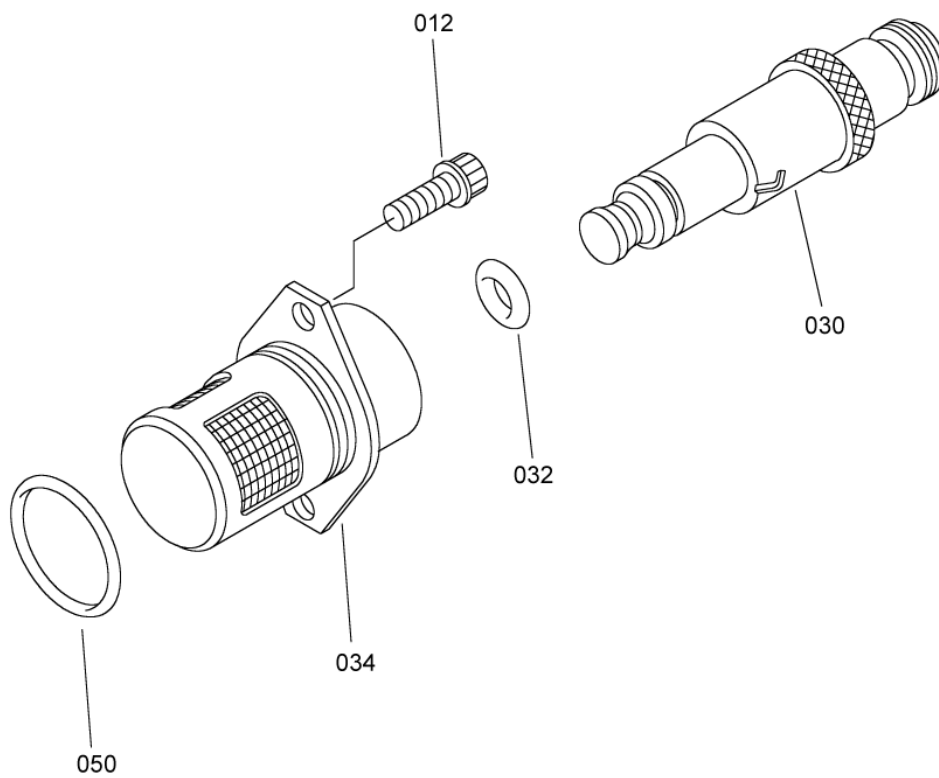
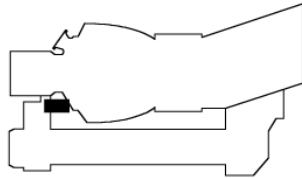
INST.,SWITCH,LOW OIL PRESSURE
Figure 01

TURBOMECA ARRIEL 2 C2

MAINTENANCE SPARE PARTS CATALOG

| FIGURE ITEM | PART NUMBER | AIRL. STOCK No. | DESCRIPTION | EFFECT | QTY |
|----------------|--------------|-----------------------|--|--------|-----|
| | | | 1 2 3 4 5 6 7 | | |
| 01 -001 | - | | INST.,SWITCH,LOW OIL PRESSURE NON PROCURABLE REFER TO CHAP. 79-00-00 FIG.01 ITEM 040 | | RF |
| 010 | 8585-1 | | . SWITCH,LOW OIL PRESSURE - V98505 (9550170040) NON REPAIRABLE | | 1 |
| 012 | EN3686050016 | | ATTACHING PARTS . SCREW - VI9005 (9836405016) *** | | 2 |
| 030 | 46012A01000 | | . PACKING,PREFORMED - VF0111 (9794410100) | | 1 |

- ITEM NOT ILLUSTRATED



INST.,PLUGS,ELECTRIC MAGNETIC
Figure 01

TURBOMECA ARRIEL 2 C2

MAINTENANCE SPARE PARTS CATALOG

| FIGURE ITEM | PART NUMBER | AIRL. STOCK No. | DESCRIPTION | EFFECT | QTY |
|----------------|--------------|-----------------------|--|--------|-----|
| | | | 1 2 3 4 5 6 7 | | |
| 01 -001 | - | | INST.,PLUGS,ELECTRIC MAGNETIC NON PROCURABLE REFER TO CHAP. 79-00-00 FIG.01 ITEM 050 | | RF |
| -010 | 4901-1 | | . PLUG ASSY,ELECTRIC MAGNETIC - VF9211 (9550171750) NON REPAIRABLE | | 1 |
| 012 | EN3686050014 | | ATTACHING PARTS . SCREW - VI9005 (9836405014) *** | | 2 |
| 030 | 4930-1 | | . . HEAD,MAGNETIC - VF9211 (9520011546) | | 1 |
| 032 | 46012B00800 | | . . PACKING,PREFORMED - VF0111 (9794420080) | | 1 |
| 034 | 4910 | | . . RECEPTACLE - VF9211 (9520011520) | | 1 |
| 050 | 46012A02360 | | . PACKING,PREFORMED - VF0111 (9794410236) | | 1 |

- ITEM NOT ILLUSTRATED

