

HELICOPTER ENGINES

TURBOSHAFT

ARRIEL 2

C1

**MAINTENANCE
TOOLS CATALOG**

No. X 292 N4 800 2

Original issue: Aug. 30/1998

Update No. 41: Dec. 30/2023



64511 BORDES CEDEX - FRANCE - Tel.: +33 (0)5 59 12 50 00

www.safran-helicopter-engines.com

LETTER

This covering letter is not part of the MAINTENANCE TOOLS CATALOG.
Do not keep it on the MAINTENANCE TOOLS CATALOG.

Bordes, Dec. 30/2023

Dear Sir / Madam,

The *ARRIEL 2 C1 MAINTENANCE TOOLS CATALOG No. X 292 N4 800 2* has been subject to normal update No. 41 on Dec. 30/2023.

A description of the update (description, pages to be removed or inserted) is provided below.

We remain at your disposal for any further information you may require. Very truly yours

Technical Publications

Task Number	Description	Pages to be removed	Pages to be inserted
TITLE PAGE	Integration	ALL	1
LIST OF EFFECTIVE PRELIMINARY PAGES	Integration	ALL	1 - 2
LAP - 00	Integration	ALL	1 to 2
00-00-40 - LIST OF TOOLS BY SAFRAN HELICOPTER ENGINES PART NUMBERS	Integration	ALL	1 to 12
00-00-41 - LIST OF TOOLS BY OT NUMBER	Integration	ALL	1 to 12
00-00-42 - LIST OF TOOLS BY TOOL NAME	Integration	ALL	1 to 6
00-00-43 - LIST OF TOOLS BY APPLICATION	Integration	ALL	1 to 6
00-00-44 - LIST OF CALIBRATION / INSPECTION REQUIREMENT BY OT NUMBER	Integration	ALL	1 to 2
00-00-45 - LIST OF SAFRAN HELICOPTER ENGINES PART NUMBER RELATIONSHIPS	Integration	ALL	1 to 6
LAP - OT	Integration	ALL	1 to 12
OT 40 0290	Integration	ALL	0 to 1
OT 50 9550	Integration		0 to 1
OT 50 9560	Integration		0 to 1

Task Number	Description	Pages to be removed	Pages to be inserted
OT 50 9570	Integration		0 to 1
OT 80 3140	Integration	ALL	0 to 1
OT 80 7360	Integration	ALL	0 to 1
OT 80 7380	Integration	ALL	0 to 1
OT 80 7390	Integration	ALL	0 to 1
OT 80 7460	Integration	ALL	0 to 1
OT 80 7480	Integration	ALL	0 to 1
OT 80 7500	Integration	ALL	0 to 1
OT 80 7540	Integration	ALL	0 to 1
OT 80 7550	Integration	ALL	0 to 1
OT 80 7620	Integration	ALL	0 to 1
OT 80 7650	Integration	ALL	0 to 1
OT 80 7680	Integration	ALL	0 to 1
OT 80 7730	Integration	ALL	0 to 1
OT 80 7740	Integration	ALL	0 to 1
OT 80 7830	Integration	ALL	0 to 1
OT 80 8020	Integration	ALL	0 to 1

PAGE LEFT BLANK INTENTIONALLY



RIGHTS OF USE

The information and data contained in this document, of whatsoever nature, notably intellectual, technical and in particular information that is or can be protected by Intellectual Property rights (such as given in the Intellectual Property Code), including particularly include the information related to know-how, manufacturing secrets, technical information, diagrams and drawings, are the sole property of Safran Helicopter Engines.

The information and data of this document are made available to the user with the sole purpose of allowing engine maintenance (maintenance and repair). The user undertakes not to use, copy, reproduce, duplicate, modify or disclose all or part of the information and data contained in this document for any purpose other than this one without the prior consent of Safran Helicopter Engines.

TOOLS

The tools given in this catalog can be used according to the different authorizations granted to the participants: scheduled and unscheduled maintenance (maintenance manual), application of modification (technical instruction), maintenance (maintenance technical instruction).

PAGE LEFT BLANK INTENTIONALLY

LIST OF EFFECTIVE PRELIMINARY PAGES

<u>Title</u>	<u>Pages</u>	<u>Date</u>
TITLE PAGE	* 1	Dec. 30/2023
INFORMATION	1 - 2	Dec. 30/2019
LIST OF EFFECTIVE PRELIMINARY PAGES	* 1 - 2	Dec. 30/2023
NORMAL UPDATE INCORPORATION SHEET	1 - 2	Nov. 30/2009

* Page modified following update No. 41

PAGE LEFT BLANK INTENTIONALLY

TURBOMECA ARRIEL 2 C1

NORMAL UPDATE INCORPORATION SHEET

The person who incorporates the update writes its No. and date, his/her name and the date of incorporation.

<i>Up- date No.</i>	<i>Date of Up- date</i>	<i>Inserted by</i>	<i>On</i>	<i>Up- date No.</i>	<i>Date of Up- date</i>	<i>Inserted by</i>	<i>On</i>

PAGE LEFT BLANK INTENTIONALLY

CHAPTER 00 - LIST OF EFFECTIVE PAGES

<u>Chapter Section Subject</u>	<u>Title</u>	<u>Pages</u>	<u>Date</u>
00	LIST OF EFFECTIVE PAGES	* 1 - 2	Dec. 30/2023
00	TABLE OF CONTENTS	1 - 2	May 30/2010
00-00-00	INTRODUCTION	1 - 2	Dec. 30/2018
00-00-11	CATALOG USER GUIDE	1 - 6	Dec. 30/2018
00-00-13	LIST OF ADDITIONAL DOCUMENTATION	1 - 2	Nov. 30/2009
00-00-40	LIST OF TOOLS BY SAFRAN HELICOPTER ENGINES PART NUMBERS	* 1 - 12	Dec. 30/2023
00-00-41	LIST OF TOOLS BY OT NUMBER	* 1 - 12	Dec. 30/2023
00-00-42	LIST OF TOOLS BY TOOL NAME	* 1 - 6	Dec. 30/2023
00-00-43	LIST OF TOOLS BY APPLICATION	* 1 - 6	Dec. 30/2023
00-00-44	LIST OF CALIBRATION / INSPECTION REQUIREMENT BY OT NUMBER	* 1 - 2	Dec. 30/2023
00-00-45	LIST OF SAFRAN HELICOPTER ENGINES PART NUMBER RELATIONSHIPS	* 1 - 6	Dec. 30/2023

* Page modified following update No. 41

PAGE LEFT BLANK INTENTIONALLY

CHAPTER 00 - TABLE OF CONTENTS

<u>Subject</u>	<u>Chapter Section Subject</u>	<u>Page</u>
INTRODUCTION	00-00-00	1
CATALOG USER GUIDE	00-00-11	1
LIST OF ADDITIONAL DOCUMENTATION	00-00-13	1
LIST OF TOOLS BY TURBOMECA PART NUMBERS	00-00-40	1
LIST OF TOOLS BY OT NUMBER	00-00-41	1
LIST OF TOOLS BY TOOL NAME	00-00-42	1
LIST OF TOOLS BY APPLICATION	00-00-43	1
LIST OF CALIBRATION / INSPECTION REQUIREMENT BY OT NUMBER	00-00-44	1
LIST OF TURBOMECA PART NUMBER RELATIONSHIPS	00-00-45	1

PAGE LEFT BLANK INTENTIONALLY

INTRODUCTION

CAUTION: THE INFORMATION IN THIS MANUAL IS SAFRAN HELICOPTER ENGINES PROPERTY. IT SHALL NOT BE COMMUNICATED TO A THIRD PARTY, NOR SHALL IT BE USED FOR ANY OTHER PURPOSES WITHOUT SAFRAN HELICOPTER ENGINES PRIOR WRITTEN AUTHORIZATION.

1. GENERAL

This document complements the Maintenance Manual.

The writing of this document obeys the directives of "ATA Specification No. 100" Revision No. 35.

The purpose of this document is to identify the tools required for maintenance levels 1 and 2.

2. UPDATE OF TOOLS CATALOG

The tools catalog is updated by normal updates.

Normal updates are distributed periodically and are printed on white paper.

A normal update incorporation sheet allows for better follow-up of these updates.

In the paper version or in PDF version, text and illustrations which have been modified are indicated by a line drawn in the left-hand margin.

In the electronic version (IETP), the text which has been modified appears on a blue-grey background. The illustrations which have been modified are indicated by a letter R that appears in front of the illustration title (left low part of the consultation screen).

3. ORIGINAL ISSUE: ISSUE DATES OF TOOLS

As the documentary fund of the Original Issue of a Catalog partially results from an existing documentary fund, the issue dates of some tools can be prior to the Original Issue date of this Catalog.

PAGE LEFT BLANK INTENTIONALLY

CATALOG USER GUIDE

1. USE OF THE TOOLS CATALOG

The tools catalog allows a tool to be identified in several ways.

A. By the tool part number

Refer to the list of tools by Safran Helicopter Engines part number (chapter 00-00-40) which specifies:

- the description of tool,
- the OT number,
- the NATO code number and the manufacturer reference when the article is not manufactured by Safran Helicopter Engines,
- the NATO part number,
- the quantity.

B. By the tool number (OT No.)

Refer to the list of tools by OT No. (chapter 00-00-41) which specifies:

- the description of tool,
- the Safran Helicopter Engines part number,
- the NATO code number and the manufacturer reference when the article is not manufactured by Safran Helicopter Engines,
- the NATO part number,
- the quantity.

C. By description of tool

Refer to the list of tools by description (chapter 00-00-42) which specifies:

- the OT number,
- the Safran Helicopter Engines part number,
- the NATO code number and the manufacturer reference when the article is not manufactured by Safran Helicopter Engines,
- the quantity,
- the application.

D. By application

Refer to the list of tools by application (chapter 00-00-43) which specifies:

- the OT number,
- the description,
- the Safran Helicopter Engines part number.

E. By visualizing the tool without knowing its part number

According to the shape of the tool, refer to the illustrated figures which cross-refer to the corresponding parts list.

2. CALIBRATION / INSPECTION REQUIREMENT

The tools catalog allows to identify if a tools is subject to a calibration/inspection requirement.

Refer to the list of tools by calibration/inspection requirement by OT No. (chapter 00-00-44) which specifies:

- the description,
- the periodicity value and who is in charge of the calibration/inspection,

NOTE: *The indicated periodicity values are recommended values by Safran Helicopter Engines and must be fit to the local quality normes.*

- the functional criteria check necessity.

3. PART NUMBER RELATIONSHIPS

The tools catalog allows to identify the part number alternates and part number evolutions.

Refer to the list of part number relationships by Safran Helicopter Engines part number (chapter 00-00-45) which specifies:

- the superseding part number,
- the alternate part number,
- the superseded part number.

4. PARTS LIST

Each tool is described by an OT number, a figure and a section of text.

The OT number is inscribed to bottom right.

The figures are always printed on the reverse side of the sheets and the corresponding parts list in front of the following sheet.

A. OT number

The tools are identified in the following way : **OT XX NNNN**

OT indicates that it is a tool.

XX corresponds to the application code in which this tool is used.
(Refer to table 1).
Nevertheless, a tool can be used by different applications.

NNNN corresponds to the tool identification number.
Numbers start at 0010 and go up to 9990 in tens to
make it possible to insert additional tools at a later
date.

Table 1 : Application codes

CODE	APPLICATION
20	Cleaning
30	Inspection/Check
40	Test
50	Assembly Installation
60	Disassembly/Assembly Removal/Installation

ARRIEL 2

CODE	APPLICATION
70	Disassembly Removal
80	Storage/Handling
90	Other

B. Figure

The figure illustrates the tool and its components which are liable to be ordered.

C. Text

Refer to Figure 1

The section of text is made up of two parts:

(1) Description and use of the tool described

The different information about the description and the use of the tool described are in the following order:

- (a) the description of tool,
- (b) the Safran Helicopter Engines part number of tool,
- (c) the Safran Helicopter Engines part number of tool superseded by this OT number,
- (d) the supply code,

It specifies the possibility by the customer to manufacture a tool required and the customer's own responsibility.

Code	1 - 1	1 - 2	2 - 1	2 - 2	3 - 1	3 - 2
Manufacturing by	SHEF ⁽¹⁾	SHEF ⁽¹⁾	Customer/ Subsidiary	Customer/ Subsidiary	Customer/ Subsidiary	Customer/ Subsidiary
Validation by	SHEF ⁽¹⁾	SHEF ⁽¹⁾	SHEF ⁽¹⁾	SHEF ⁽¹⁾	Customer/ Subsidiary	Customer/ Subsidiary
Periodic accounting by	SHEF ⁽¹⁾		Customer/ Subsidiary		Customer/ Subsidiary	

⁽¹⁾SHEF : Safran Helicopter Engines France

- (e) Calibration periodicity in number of months,

NOTE: *The indicated periodicity values are recommended values by Safran Helicopter Engines and must be fit to the local quality normes.*

- (f) the functional criteria check,
- (g) the use of the tool,
- (h) the use particularities of the tool,
- (i) the Safran Helicopter Engines part number and description of the alternate tool.

(2) Tool parts list

The different information of the tool parts list are in the following order:

- (a) Tool

In this column is indicated the OT number.

When a tool is made up of different assemblies, an index letter from A to Z is allocated to each assembly.

When an assembly is made up of sub-assemblies, an index number from 1 to 9 is allocated to each sub-assembly.

NOTE: Assemblies and sub-assemblies which are not illustrated are preceded by a dash (-) in the first column of the tool number.

(b) Part number

In this column is indicated the Safran Helicopter Engines part number.

(c) Description

This column gives the description of each article and shows the relationship between the different elements.

The description of the components making up an assembly are indented one tab to the right in relation to the position of the name of the assembly concerned.

(d) Quantity

This column indicates the quantity of parts required per assembly.

If an element of a tool cannot be ordered individually, "NP" ("Non Procurable") is indicated in the Quantity column.

(e) Rental (REN.)

All tools which are liable to be rented are identified with an "X" in this column.

For any information concerning rental conditions, contact:

Safran Helicopter Engines
Direction commerciale
Département Ventes et Support
Service Support Client

Description and use of the tool described	Description		Part number	
	REMOVAL/INSTALLATION TOOL		8810825000	
	<i>This tool supersedes the tool</i>		8810815000	
	Supply code	Calibration periodicity	Functional criteria check	
	3 - 1	12	Not applicable	
	Use	Used to install the outer ring of module M02 front bearing		
Use particularities	To be used with tool P/N 8818719000 (OT 80 0020)			
Alternate	Part number		Description	
	8810845000		REMOVAL/INSTALLATION TOOL	

TOOL	PART NUMBER	DESCRIPTION	Qty	Ren.
60 0010	8810825000	REMOVAL/INSTALLATION TOOL	1	
60 0010	8810825100	. INSTALLATION ASSY.	1	
60 0010	8810825101	. . INSTALLATION SUB-ASSY 1	1	
60 0010	8810825102	. . INSTALLATION SUB-ASSY 2	2	
- 60 0010	8810825103	. . INSTALLATION SUB-ASSY 3	NP	
60 0010	8810825200	. REMOVAL ASSY.	1	
60 0010	8810825201	. . REMOVAL SUB-ASSY 1	1	
- 60 0010	8810825202	. . REMOVAL SUB-ASSY 2	NP	

Tool parts list

Figure 1

5. ABBREVIATIONS AND ACRONYMS USED

ASSY	Assembly
HP	High pressure
Ind	Index
LP	Low pressure
Mfr.	Manufacturer
mm	Millimeters
NP	Non procurable
P/N	Part number
REN.	Rental
TU	Safran Helicopter Engines modification

LIST OF ADDITIONAL DOCUMENTATION

MAINTENANCE TOOLS CATALOG No. X 292 N4 800 2 is one document dealing with ARRIEL 2 C1 . The additional documents required for engine maintenance implementation are as follows:

<i>Description</i>	<i>References of manuals</i>
Maintenance Manual	X 292 N4 450 2
Spare Parts Catalogue	X 292 N4 700 2
List of Modifications	
List of Service Bulletins	
List of Service Letters	

PAGE LEFT BLANK INTENTIONALLY

LIST OF TOOLS BY SAFRAN HELICOPTER ENGINES PART NUMBERS

SAFRAN HELICOPTER ENGINES P/N	Description	OT No.	Mfr. NATO Code	Manufacturer PIN	NATO P/N	Qty
1616040105	SCREW CHC M4x10 Inox	40 0160B3	F0228			3
1616040107	SCREW CHC M4X10 B&K YS-8407	40 0530B2	F0228		5305226255698	3
2103014600	SCREW CONNECTOR 1/8"NPT	40 0570B	F0228			1
8242000000	SHIPMENT CONTAINER	80 3010	F0228			1
8242000160	SHIPMENT CONTAINER	80 3040	F0228			1
8242000190	SHIPMENT CONTAINER	80 3060	F0228			1
8242000210	SHIPMENT CONTAINER	80 3070	F0228			1
8242000220	SHIPMENT CONTAINER	80 3080	F0228			1
8242000230	SHIPMENT CONTAINER	80 3090	F0228			1
8242001010	SHIPMENT CONTAINER	80 3050	F0228			1
8810007009	UNLOCK TOOL	70 3020	F0228			1
8810131088	EXTRACTORS M5 / 080, SET OF THREE	60 7010	F0228		5120142943519	1
8810600104	SET OF 3 EXTRACTORS	60 3040	F0228			1
8812136000	TOOL FOR INSTALLATION OF THE GEAR/BEARING	50 7090	F0228		5120144103512	1
8812136001	SHROUD	50 7090A	F0228		4920145846509	1
8812136002	MANDREL	50 7090B	F0228		4920145846511	1
8812136004	FRICTION WASHER	50 7090C	F0228		5310145846514	1
8812136005	NUT	50 7090D	F0228			1
8812137000	CENTERING PIECE- IMMOBILIZER	60 7050	F0228		4920145781146	1
8812137001	IMMOBILIZER	60 7050A	F0228		4920145781936	1
8812137002	PEGS	60 7050B	F0228		5310145782006	2
8812187000	TUBE, DRAIN	80 7040	F0228		4720143872631	1
8812240000	WEDGE, TURBINE CASING	80 7050	F0228		4920143970877	1
8812240001	SHIM	80 7050A	F0228		5365145781293	1
8812240002	Ø 120x18 TIGHTENING CLAMP	80 7050B	F0228	Diam 120x18	4730144103526	1
8812331000	GAGE FOR IGNITER PLUGS POSITIONING	50 7800	F0228		5210143872634	1
8812331001	BODY	50 7800A	F0228		4920145758094	1
8812331002	INDEX	50 7800B	F0228		5315145758922	1
8812331005	SCREW, KNURLED	50 7800C	F0228		5305145781470	1
8812331006	M5 EXTRACTOR	50 7800D	F0228		5120145781468	2
8813054000	MODULE 05 C2R PACKAGING	80 7060	F0228		8145144100098	1
8813054200	BLANKS, KIT	80 7060A	F0228		8145145781304	1
8813071000	GUIDING STUDS, SET OF 4	60 7100	F0228		5180145759362	1
8813071001	GUIDING STUD	60 7100A	F0228		5365145771410	3
8813071004	GUIDING STUD	60 7100B	F0228		5365145771415	1
8813150000	TRIPOD (GAS GENERATOR SUPPORT)	70 7070	F0228		4920143970884	1
8813368000	HOISTING BEAM, TILTING	80 7250	F0228		4920144100127	1
8813368001	SUPPORT ARCH	80 7250A	F0228		4920145758037	1
8813368002	TRUNNION	80 7250B	F0228		4920145759022	1

SAFRAN HELICOPTER ENGINES

ARRIEL 2 C1

MAINTENANCE TOOLS CATALOG

SAFRAN HELICOPTER ENGINES P/N	Description	OT No.	Mfr. NATO Code	Manufacturer PIN	NATO P/N	Qty
8813418000	GAS GENERATOR SUPPORT PLATE	60 0020	F0228		4920143970887	1
8813435200	COMPARATOR SUPPORT	50 7110	F0228		5180145541321	1
8813435201	SUPPORT	50 7110A	F0228		5340145782084	1
8813435202	PLIERS	50 7110B	F0228		4920145781986	3
8813435203	SPACER	50 7110C	F0228		5365145781507	1
8813435204	CENTERING PIECE	50 7110D	F0228		5365145781505	1
8813435205	PLUG	50 7110E	F0228		5340145781504	1
8813435206	GRIP	50 7110F	F0228		4920145781989	1
8813435207	Ø 8 ROD	50 7110G	F0228		5315145782113	1
8813435208	STUD	50 7110H	F0228		5307145781508	2
8813435209	CONCAVE WASHER	50 7110I	F0228	0742050	5310145781515	4
8813435210	CONVEX WASHER	50 7110J	F0228	0746050	5310143988614	4
8813435211	KNURLED NUT	50 7110K	F0228	0605050	5310144015240	4
8813435212	KNURLED NUT	50 7110L	F0228	0611060	5310143491416	1
8813521000	EXTRACTOR	60 0040	F0228		5120143991808	1
8813752000	BLANK, BLEED VALVE	80 7070	F0228		5340145245839	1
8813824000	SEALING RING REMOVAL-INSTALLATION TOOL	60 7130	F0228		5120143872642	1
8813824001	BODY	60 7130A	F0228		5120145759403	1
8813824002	DETACHABLE SUPPORT	60 7130B	F0228		5120145759412	1
8813824003	STUD	60 7130C	F0228		5315145758127	1
8813824004	SERRATED NUT M10 1.50 PIT	60 7130D	F0228		5310144414146	1
8813824005	PLAIN WASHER	60 7130E	F0228		5310121216673	1
8815010000	PROTECTION TUBE HOLDING TOOL	60 0060	F0228		4920144514454	1
8815099331	END FITTING	60 7130I	F0228		4730145758930	1
8815099331	END FITTING	60 7660C	F0228		4730145758930	1
8815099420	ADAPTER	40 0290C	F0228		4730145206999	1
8815099755	CLAMP	80 0060G	F0228		4730145541276	1
8815099760	SCREW M12 X 125	50 7340A	F0228		5306145759470	1
8815099761	NUT	50 7340D	F0228		5310145771377	1
8815099762	SPACER	50 7340C	F0228		5365145771373	1
8815099764	WRENCH	50 7340B	F0228		5120145781974	1
8815099808	LABEL	40 0180C	F0228			1
8815099832	PLATE FIRME	40 0350D	F0228			1
8815661000	CONTROL UNIT (OPEN/ CLOSED CONTACT)	40 0010	F0228		4920145771275	1
8816082000	WRENCH AND IMMOBILIZATION TOOL	60 7160	F0228		5120143872632	1
8816082008	IMMOBILIZATION TOOL	60 7160B	F0228		5120145781938	1
8816082009	WRENCH	60 7160A	F0228		5120145781557	1
8816389000	BLANK, WATER WASH CONNECTION	80 7750	F0228		5342145115213	1
8816413000	BLANK	80 3110	F0228			1
8816445000	CONTROL UNIT	30 0510	F0228			1
8816517000	UNION, BLEED VALVE	20 0030	F0228		4730144903193	1
8816517001	BOLT, BANJO	20 0030A	F0228		4730145758053	1
8816517002	UNION END	20 0030B	F0228		4730145758938	1
8816540000	TUBE, OIL PRESSURE TAPPING	30 0010	F0228		4710145245841	1
8816547000	BLANK	80 3230	F0228		4920146050149	1
8816676000	FLANGE BLANKING DN6- DN8	80 7890	F0228		5340145048273	1

List by P/N

Page 2

Dec. 30/2023

SAFRAN HELICOPTER ENGINES

ARRIEL 2 C1

MAINTENANCE TOOLS CATALOG

SAFRAN HELICOPTER ENGINES P/N	Description	OT No.	Mfr. NATO Code	Manufacturer PIN	NATO P/N	Qty
8816676001	BLANK	80 7890A	F0228			1
8816680000	BLANK	80 7520	F0228			1
8816694000	VIBRATION MEASURING KIT	40 0020	F0228		6635144308998	1
8816694101	VIBRATION METER	40 0020A	F0228		6635144458619	1
8816694103	CABLE	40 0020B	F0228		6145144458621	1
8816694103	CABLE B&K WLO748	40 0020F	F0228			1
8816701000	AIR INTAKE BLANK	80 7510	F0228		5340144334970	1
8816714000	BLANK, LINKING TUBE JUNCTION	80 7350	F0228			1
8816715000	JUNCTION SPOILER	80 7690	F0228		5340145221456	1
8816796000	BLANK , STARTER	80 7700	F0228		5340144334971	1
8816949000	MONITORING HARNESS	40 0030	F0228		6625145740964	1
8816968000	PERMEABILITY MEASURING TOOL, ASSEMBLY	30 0020	F0228		6635144432812	1
8816968010	VALVE	30 0020B	F0228		4820143885623	1
8816968019	TUBE	30 0020A	F0228		4710145758492	1
8817102000	BLANK	80 7740	F0228		5340145244396	1
8817367000	POWER SUPPLY HARNESS	40 0040	F0228		6150144803080	1
8818171000	INSTALLATION TOOL	50 7250	F0228		5120145674614	1
8818171001	BODY	50 7250A	F0228		4920145781870	1
8818171002	SUPPORT	50 7250B	F0228		5120145782086	1
8818171003	END FITTING	50 7250C	F0228		4730145758930	1
8818171006	DOUBLE UNION DN6	50 7250D	F0228		4730143001881	1
8818171011	LOCKING SCREW M10 LG 60	50 7250G	F0228	07120-10X60	5305144131800	1
8818171012	FRICTION PAD	50 7250H	F0228	07141-10	5310143988175	1
8818171013	KNURLED NUT M10	50 7250I	F0228	06010-210	5310145338313	1
8818339000	ADAPTER FITTING	40 0060	F0228		4730145207015	1
8818649000	BLANK	80 3220	F0228		4920146050150	1
8818688000	DISASSEMBLY/ ASSEMBLY THIMBLE SET	60 0010	F0228		5120145781243	1
8818688001	BUSHING	60 0010A	F0228		5120145781949	1
8818688002	BUSHING	60 0010B	F0228		5120145781950	1
8818691000	EXTRACTOR	70 0010	F0228		5120145781245	1
8818804000	REAR BEARING, BEARING INNER RING, EXTRACTOR	70 7140	F0228		5120145781246	1
8818804001	BODY	70 7140A	F0228		5120145781438	1
8818804002	SCREW	70 7140B	F0228		5306145781449	1
8818804003	RING	70 7140C	F0228		5365145781429	1
8818804004	SKID	70 7140D	F0228		5120145781944	1
8818804005	JAWS, SET OF TWO	70 7140E	F0228		5120145781943	1
8818805000	WRENCH	60 7220	F0228		5120145781249	1
8818825000	REAR BEARING, BEARING INNER RING, INSTALLATION TOOL	50 7320	F0228		5120145781253	1
8818825001	SCREW	50 7320A	F0228		4920145781647	1
8818825002	NUT	50 7320B	F0228		5310145781889	1
8818825003	PUSHER	50 7320C	F0228		5120145782001	1
8818828000	LINKING TOOL	60 7250	F0228		4920145674597	1
8818836200	EXTRACTOR WITH JAWS	60 0080	F0228		5120145674566	1
8818836202	BODY	60 0080B	F0228		5120145781884	1
8818836203	JAWS, SET OF THREE	60 0080C	F0228		5120145781885	1

SAFRAN HELICOPTER ENGINES

ARRIEL 2 C1

MAINTENANCE TOOLS CATALOG

SAFRAN HELICOPTER ENGINES P/N	Description	OT No.	Mfr. NATO Code	Manufacturer PIN	NATO P/N	Qty
8818836207	CLAMP NUT	60 0080A	F0228	621 100 064	5305144972721	1
8818837000	GEAR CLAMPING TOOL	60 7330	F0228		4920145781621	1
8818841000	HOISTING BEAM	60 7580	F0228		1730145674575	1
8818841002	PLATE, RH	60 7580A	F0228		5340145781991	1
8818841003	PLATE, LH	60 7580B	F0228		5340145781992	1
8818841009	SCREW, KNURLED	60 7580C	F0228	06090-06X25	5305145533143	1
8818842000	EXTRACTOR FOR POWER SHAFT BEARING	70 7160	F0228		5120145824079	1
8818842001	SET OF TWO CLAWS	70 7160A	F0228		5120145846516	1
8819114000	ENGINE SUPPORT MOUNT	80 0030	F0228		4920143900040	1
8819212000	METALLIC CONTAINER	80 3020	F0228			1
8819252000	VISCOMETER (THROUGH COMPARISON OF VISCOSITY)	90 0010	F0228		6630144765020	1
8819387000	ADAPTER, FITTING	40 0070	F0228		4920145548287	1
8819389000	ADAPTER, FITTING	40 0080	F0228		4920145551602	1
8819505000	FLOW LIMITER ASSEMBLY	20 0020	F0228		4920144822473	1
8819505005	VALVE, FINE TRIMMING	20 0020C	F0228		4820145648908	1
8819527000	LOOSENING/ TIGHTENING TOOL ASSEMBLY FOR INLET CONE	60 7380	F0228		5120143970874	1
8819527001	IMMOBILIZER	60 7380E	F0228			1
8819527002	RATCHET WRENCH	60 7380A	F0228		5120145758070	1
8819527003	GUIDE	60 7380B	F0228		4920145758145	1
8819527005	CAPTIVE SCREW	60 7380C	F0228		5355145781528	1
8819527006	PIN	60 7380D	F0228		5315145781523	1
8819570000	WRENCH AND IMMOBILIZATION TOOL	60 7670	F0228		5180145781263	1
8819570001	IMMOBILIZATION TOOL	60 7670A	F0228		4920145781941	1
8819570002	WRENCH	60 7670B	F0228		5120145781940	1
8819571000	GUIDE, BORESCOPIC	30 0040	F0228		4710144308997	1
8819653000	EXTRACTOR	70 7180	F0228		5120145674569	1
8819653001	CORE	70 7180A	F0228		5120145781947	1
8819653002	SCREW	70 7180B	F0228		5315145781541	1
8819653003	SET OF EXCHANGER CLAWS	70 7180C	F0228		5120145781978	1
8819653004	SET OF NGV CLAWS	70 7180D	F0228		5120145781976	1
8819660000	BLANK	80 7640	F0228			1
8819663000	BLANK	80 7710	F0228			1
8819681000	ASSEMBLY FIXTURE	50 7340	F0228		4920143970885	1
8819683000	WRENCH	60 7400	F0228		5120145674649	1
8819772000	MEASURING TOOL	50 7980	F0228			1
8819772001	BODY	50 7980A	F0228			1
8819772002	CENTERING	50 7980B	F0228			1
8819772009	SUPPORT	50 7980C	F0228			1
8819774000	SEGMENT HOLDING TOOL	50 7370	F0228		4920145781268	1
8819781000	BLANK	80 7760	F0228			1
8819792000	BLANK	80 3210	F0228		4920146050151	1
8819795000	ADAPTER, FITTING	40 0090	F0228		4920145551604	1
8819796000	HARNESS	40 0100	F0228		6150145548288	1

List by P/N

Page 4

Dec. 30/2023

SAFRAN HELICOPTER ENGINES

ARRIEL 2 C1

MAINTENANCE TOOLS CATALOG

SAFRAN HELICOPTER ENGINES P/N	Description	OT No.	Mfr. NATO Code	Manufacturer PIN	NATO P/N	Qty
8819925000	TEST SET ASSEMBLY, HARNESSES	40 0110	F0228		6625145207039	1
8819952000	DEOILER COVER REMOVAL TOOL	60 7420	F0228		5180145674593	1
8819952001	BODY	60 7420A	F0228		5120145781994	1
8819952002	BOLT	60 7420B	F0228		5306145782122	1
8819952003	NUT	60 7420C	F0228		5310145781890	1
8819958000	SEGMENT HOLDING TOOL	60 7430	F0228		4920145781284	1
8819959000	DRIVING WRENCH	60 0140	F0228		5120145781286	1
8819987000	SEGMENT BONDING TOOL	50 7400	F0228		5120145674662	1
9542110520	BATTERY TYPE R6 1.5 V	40 0020D	F0228			3
9560111080	U8 PLUG	80 7360	F0228			1
9560111100	U11 PLUG	80 7730	F0228		5340121726621	1
9560111120	U14 PLUG	80 7480	F0228		5340121545430	1
9560111150	U20 PLUG	80 3140	F0228			1
9560111180	U25 PLUG	80 8020	F0228			1
9560118180	U28 PLUG	80 7540	F0228		5340121587594	1
9560128590	BLANK	80 7870	F0228		5340121875459	1
9560133890	SCREW H M5-10	80 7890B	F0228			2
9560133910	NUT H M5	80 7890D	F0228			2
9560136550	PLUG	80 7630	F0228			1
9560153370	UNION WITH FEMALE ENDS	20 0020B	F0215	6924-4004	4730143918570	1
9560153380	UNION WITH MALE ENDS	20 0020A	F0215	6924-5004	4730144640367	1
9560155420	SCREW H M5-16	80 7890C	F0228			2
9560159360	TAPERED PLUG	80 7930	F0228		5340145759472	1
9560163420	BLANK	80 3130	F0228			1
9561490100	PLUG	80 7370	F0228			1
9561490170	PLUG	80 7900	F0228		5340121709986	1
9561490180	U2 PLUG	80 7830	F0228		5340121633850	1
9610017670	TEST SET	40 0160B2	F8252	2006	4920145541302	1
9610017700	ACCELEROMETER B&K 8324	40 0140	F0228	8324I	6680223086122	1
9610019070	STRIPBOARD CUTTER	30 0170	F0228		5120997195219	1
9610046360	ACCELEROMETER ENDEVCO 6233C-10	40 0160B1	F9106	6233C10	6680014807196	1
9610051570	NUT	60 7670C	F0228	HU5/16-24UNF	5305016237019	1
9610064500	HELICOPTER POWER SUPPLY CABLE (SMA2.03.10)	40 0150	FA1B4	SMA2-03-10	6150145260114	1
9610064560	ACCELEROMETER CABLE (SMA-03-01-12)	40 0180A4	F0228	(SMA-03-01-12)	5995145281933	1
9610064590	TRANSPORT CASE (SEMIA S00-123)	40 0180A1	F0228	(SEMIA S00-123)	7030145755893	1
9610064600	LAPTOP (SEMIA PC/S00-2000A)	40 0180B	F0228	(SEMIA PC/S00-2000A)	7010145755672	1
9610068630	TACHOMETER CABLE SEMIA SAR 22-03-05	40 0160A1	F0228	SAR 22-03-06	6625145782218	1
9610068790	BATTERY CHARGER (SEMIA SMA2-04-01)	40 0180A5	F0228	(SEMIA SMA2-04-01)	7610145755645	1
9610078440	ARINC 429 CEI-710 adaptor board (CONDOR Engineering)	30 0050	F0228		5998016174913	1

SAFRAN HELICOPTER ENGINES

ARRIEL 2 C1

MAINTENANCE TOOLS CATALOG

SAFRAN HELICOPTER ENGINES P/N	Description	OT No.	Mfr. NATO Code	Manufacturer PIN	NATO P/N	Qty
9610084310	SOFTWARE BS2000 (SEMIA T.PVA.S2.98.999)	40 0180A6	F0228	(SEMIA T.PVA.S2.98.999)	8460145281937	1
9610084320	MANUAL BS2000 A/F (SEMIA T.DOC.S2.00.034)	40 0180A7	F0228	(SEMIA T.DOC.S2.00.034)	7030145755897	1
9610084330	SLIDE SOFTWARE CVM (SEMIA T.PVA.S2.98.1000)	40 0180A8	F0228	(SEMIA T.PVA.S2.98.1000)	7610145755711	1
9610084340	MANUAL CVM A/F (SEMIA T.DOC.S2.00.039)	40 0180A9	F0228	(SEMIA T.DOC.S2.00.039)	6130145281934	1
9610084440	WORK CARD, EXTERNAL KIT SEMIA T.PVA.S2.01.067	40 0160A2	F0228	T.PVA.S2.01.067	7610145782219	1
9610084550	RS422 PCMCIA CARD	30 0320	F0228		7025015225085	1
9610086160	ARINC 429 CEI-715-22 adaptor board (CONDOR Engineering)	30 0190	F0228		5998016174912	1
9610090040	2xRS422 PCMCIA CARD	30 0310	F0228			1
9610090180	BOX ASSY (SEMIA S2000.4)	40 0180A2	F0228	(SEMIA S2000.4)	4920145575336	1
9610090190	PC CABLE (SPC2-04)	40 0180A3	F0228	(SPC2-04)	6150145575335	1
9678400120	VINYL POCKET 45x110	40 0020E	F0228			1
9681500881	PACKING, PREFORMED	80 0070A	F0228		5331143078639	1
9681502501	PACKING, PREFORMED	50 7250F	F0228		5331143792000	1
9681502501	PACKING, PREFORMED	60 7130H	F0228		5331143792000	1
9681801082	PACKING, PREFORMED	80 7040A	F0228		5331143827606	1
9682506601	PACKING, PREFORMED	60 7660K	F0228		5331142137826	1
9752010044	SEAL	20 0030D	F0228		5330140100904	1
9752010044	FLAT SEAL	40 0290B	F0228		5330140100904	1
9752010044	SEAL	50 7250E	F0228		5330140100904	1
9752010044	SEAL	60 7130F	F0228		5330140100904	1
9752010044	SEAL	60 7660E	F0228		5330140100904	1
9752014044	FLAT SEAL	40 0290D	F0228		5330140100918	1
9770060034	DOUBLE UNION	30 0010A	F0228		4730143001881	1
9770060034	DOUBLE UNION	40 0290E	F0228		4730143001881	1
9770060034	DOUBLE UNION	60 7130G	F0228		4730143001881	1
9770060034	DOUBLE UNION	60 7660D	F0228		4730143001881	1
9789141500	PLUG	80 7380	F0228			1
9789221500	PLUG	80 7460	F0228		5340142137579	1
9789271500	PLUG	80 7450	F0228		5340143001875	1
9789400070	U7 PLUG	80 7620	F0228		5340143478640	1
9789400090	U9 PLUG	80 7500	F0228		5340143478641	1
9789400290	U29 PLUG	80 7390	F0228			1
9789400300	U30 PLUG	80 7550	F0228		5340121587595	1
9794410040	PACKING, PREFORMED	20 0030C	F0111	46012A00400	5331144290274	1
9794410056	O RING	30 0240B	F0228		5331144191015	1
9794410060	PACKING, PREFORMED	80 0080A	F0111	46012A00600	5331144819116	1
9794410069	PACKING, PREFORMED	80 0090A	F0111	46012A00690	5331144290275	1
9794410140	PACKING, PREFORMED	40 0090A	F0111	46012A01400	5331144435923	1
9836405022	BOLT	40 0270H	F0228		5306144707600	4
9848401229	SCREW CHc M4X12	40 0020C	F0228		5305143550508	3
9897060031	PLUG, THREADED	20 0030E	F0228		5365140313451	1
9945000060	CORRUJOINT	40 0270E	F0228		5330144677689	1
TA5123G001	BLANK	80 3200	F0228		5342145316251	1
TA5124G001	BLANK	30 0280	F0228		5342145316252	1
TA5147G401	TANK	30 0440	F0228			1
TA5150G001	IMPERVIOUS SUPPORT	40 0540	F0228		4920145741005	1

List by P/N

Page 6

Dec. 30/2023

SAFRAN HELICOPTER ENGINES

ARRIEL 2 C1

MAINTENANCE TOOLS CATALOG

SAFRAN HELICOPTER ENGINES P/N	Description	OT No.	Mfr. NATO Code	Manufacturer PIN	NATO P/N	Qty
TL0336G003	ARRIEL 2 FADEC B EMC101 INTERFACE SOFTWARE	30 0400	F0228			1
TM0038G003	SUPPORT, MODULAR ASSEMBLY	80 0060	F0228		4920145371902	1
TM0038P001	CHASSIS	80 0060A	F0228		4920145758063	1
TM0038P002	RIGHT ARM	80 0060B	F0228		4920145758055	1
TM0038P004	REAR SUPPORT	80 0060D	F0228		4920145758379	1
TM0038P005	FRONT SUPPORT	80 0060E	F0228		4920145758464	1
TM0038P012	SHOE	80 0060F	F0228		5340145782047	1
TM0038P016	LEFT ARM	80 0060C	F0228		4920145758057	1
TM0104G012	SEMIA SYNTHAM 2000.4 + PC	40 0180	F0228		4920145401176	1
TM0104G112	SYNTHAM 2000.4/V3.1	40 0180A	F0228		4920145575338	1
TM0188G002	TANK, PRESSURE GENERATOR	20 0010	F0228		4940145269189	1
TM0188G201	TANK	20 0010F	F0228		4940145763125	1
TM0188P102	PUMP	20 0010B	F0228		4320145763131	1
TM0188P103	EQUIPPED PIPE	20 0010C	F0228		4720145763148	1
TM0188P105	COVER	20 0010E	F0228		5340145763151	1
TM0188P123	COUPLING (LS-1806213)	20 0010I	F0228		3010145763836	1
TM0188P126	SWITCH (LS-1806158)	20 0010G	F0228		5930144498656	1
TM0188P127	RELAY 24V-20A (LS-1806160)	20 0010H	F0228		5945121667609	1
TM0188P132	CHASSIS	20 0010A	F0228		4320145763153	1
TM0188P133	ELECTRICAL MOTOR	20 0010D	F0228		6105145763154	1
TM0206G004	PROTECTOR	80 7470	F0228			1
TM0318G001	SENSOR SUPPORT	30 0060	F0228		5180145674599	1
TM0318P001	BODY	30 0060A	F0228		4920145781888	1
TM0318P002	CAPTIVE SCREW	30 0060B	F0228		5306145781581	1
TM0318P003	SUPPORT	30 0060C	F0228		5340145782087	1
TM0357G004	MAGNETIC SEAL INSTALLATION/REMOVAL TOOL	60 7660	F0228		5120145677598	1
TM0357P006	PACKING, PREFORMED	60 7660I	F0228	143203	5331142678208	1
TM0357P007	PACKING, PREFORMED	60 7660J	F0228	157200	5331143672025	2
TM0357P012	KNURLED NUT	60 7660H	F0228		5310145781573	1
TM0357P013	BONDED SEAL	60 7660F	F0228		5310121216673	1
TM0357P014	STUD	60 7660G	F0228	07020-310	5307145745143	1
TM0357P015	BASE	60 7660A	F0228		5120145782049	1
TM0357P016	FLANGE	60 7660B	F0228		5120145781560	1
TM0373G001	BASE	50 0010	F0228		5120145782064	1
TM0393G003	HARNESS	40 0250	F0228			1
TM0394G002	CONNECTORS, SET, FOR THE SELF-TEST	40 0260	F0228			1
TM0429G001	HARNESS	40 0520	F0228		6625145767268	1
TM0515G002	CASTLE WRENCH	50 0020	F0228		4920145781863	1
TM0515P001	WRENCH	50 0020A	F0228		5120145781866	1
TM0515P002	PACKING, PREFORMED	50 0020B	F0228	114203	5331144342453	1
TM0568G002	HARNESS	30 0290	F0228		6625145781813	1
TM0568G101	BOX	30 0290A	F0228		4920145781805	1
TM0568G201	ARINC 429 CEI-715 HARNESS	30 0290B	F0228		6625145781827	1
TM0568G301	ARINC 429 CEI-710 HARNESS	30 0290C	F0228		6625145781822	1
TM0568G401	2XRS422 HARNESS	30 0290D	F0228		6625145781817	1

SAFRAN HELICOPTER ENGINES

ARRIEL 2 C1

MAINTENANCE TOOLS CATALOG

SAFRAN HELICOPTER ENGINES P/N	Description	OT No.	Mfr. NATO Code	Manufacturer PIN	NATO P/N	Qty
TM0568G501	RS422/RS232 HARNESS	30 0290E	F0228		6625145781828	1
TM0568G601	2XRS232 HARNESS	30 0290F	F0228		6625145781815	1
TM0588G001	HYDRAULIC UNIT	60 7590	F0228		3040145223824	1
TM0642G001	BLANK	80 7680	F0228			1
TM0772G001	AIR BLEED VALVE BLANK	80 7530	F0228		5340145558335	1
TM0790G001	SEGMENT INSTALLATION TOOL	50 7630	F0228		4920145781933	1
TM0790P001	GUIDE	50 7630A	F0228		4920145781932	1
TM0807G001	GENERATING TOOL, HYDRAULIC PRESSURE	40 0280	F0228		4940145177482	1
TM0852G001	BLANK	80 3180	F0228		5340145749419	1
TM0853G001	BLANK	80 3160	F0228		4920146050152	1
TM0856G001	POSITIONING FIXTURE	50 7640	F0228		4920145758182	1
TM0902G001	HARNESS	30 0080	F0228		6625145781923	1
TM1034G001	BLANK	80 7490	F0228		5342145316246	1
TM1123G001	MEASURING TOOL	50 8100	F0228		4920145781980	1
TM1164G001	CONTINUITY CARD	40 0350C	F0228			1
TM1257G001	TUBE, DRAIN	80 0070	F0228		4720145319500	1
TM1330G001	FLEXIBLE PIPE	40 0440	F0228		4720145542636	1
TM1388G010	VIBRATION TEST SET ASSY	40 0160	F0228		4920145781605	1
TM1388G110	SEMIA EQUIPMENT	40 0160A	F0228		4920145781945	1
TM1388G210	TURBOMECA EQUIPMENT	40 0160B	F0228		4920145781946	1
TM1463G001	SPECIAL WRENCH	60 7530	F0228		4920145674653	1
TM1494G001	SEAL PLUG	30 0270	F0228			1
TM1608G001	MEASURING SYSTEM	40 0290A	F0228		6620145572011	1
TM1608P001	DIGITAL INDICATOR	40 0290A1	F0228		6625145572004	1
TM1608P002	SENSOR PRESSURE	40 0290A2	F0228		2990145572006	1
TM1608P003	SHIELED CONNECTION HARNESS	40 0290A3	F0228		4920145572007	1
TM1609G001	PRESSURE GAGE, POCKET, ASSEMBLY	40 0290	F0228		6620145279452	1
TM1689G002	SET OF 3 GUIDES	50 9550	F0228			1
TM1743G002	JET UNION	40 0300	F0228		4730145771244	1
TM1775G001	GUIDE	50 7680	F0228		4920145758147	1
TM1780G001	TUBE, DRAIN	80 0080	F0228			1
TM1781G002	TUBE, DRAIN	80 0090	F0228			1
TM1991G001	INSTALLATION TOOL	60 0160	F0228		4920145758260	1
TM2012G001	IMMOBILIZER END-FITTING	50 7700	F0228		5120145758077	1
TM2015G002	BLANK	80 3170	F0228		4920146050156	1
TM2058G001	CHECKING TOOL	40 0610	F0228		5180145396125	1
TM2082G001	ADAPTER HARNESS	30 0090	F0228		5935145551536	1
TM2230G001	TOOL FOR LEAKAGE TEST	40 0270	F0228		5180145781858	1
TM2230P001	FLANGE	40 0270C	F0228		4920145781855	1
TM2230P002	BLANK	40 0270F	F0228		4920145781948	1
TM2230P004	PIPE	40 0270A	F0228	1025U10-08	4720144689365	1
TM2230P005	PACKING, PREFORMED	40 0270D	F0228	105 429	5331144891067	1
TM2230P006	CLAMP	40 0270B	F0228	5/7-11	4730142387621	1
TM2230P007	EXTRACTOR	40 0270G	F0228		5120145781860	1
TM2421G002	ADAPTER, FITTING	40 0510	F0228		4920145782016	1
TM2454G001	BLANK	80 3190	F0228		4920145755809	1
TM2776G001	WRENCH SET	60 3020	F0228			1
TM3174G001	ASSEMBLY GUIDE	50 3010	F0228		4920145781598	1

List by P/N

Page 8

Dec. 30/2023

SAFRAN HELICOPTER ENGINES

ARRIEL 2 C1

MAINTENANCE TOOLS CATALOG

SAFRAN HELICOPTER ENGINES P/N	Description	OT No.	Mfr. NATO Code	Manufacturer PIN	NATO P/N	Qty
TM3174P001	CENTERING	50 3010A	F0228		4920145781847	3
TM3174P002	CAPTIVE SCREW	50 3010B	F0228		5305145781619	6
TM3174P003	SLEEVE	50 3010C	F0228		5120142226148	3
TM3174P004	WRENCH	50 3010D	F0228		5120145279776	1
TM3174P006	WRENCH	50 3010E	F0228		5120145075717	1
TM3199G002	OIL PRESSURE INLET	30 0240	F0228		4920145782002	1
TM3199P002	PIPING DN6	30 0240A	F0228		4920145782002	1
TM3261G001	SEAL EXTRACTOR	70 3010	F0228		5120145781921	1
TM3346G001	BLANK	80 7330	F0228			1
TM4334G003	HANDLING DEVICE	80 7260	F0228		3940145758254	1
TM4334P007	SPREADER	80 7260A	F0228		3940145758307	1
TM4334P009	CLEVIS	80 7260B	F0228		5340145759478	1
TM4334P010	CLEVIS	80 7260C	F0228		4920145758040	2
TM4334P011	CLEVIS	80 7260D	F0228		4920145758042	2
TM4334P012	STOP RING	80 7260E	F0228		5365145759165	1
TM4334P020	SHOULDERED SCREW	80 7260I	F0228		5305145759267	2
TM4334P021	CLEVIS	80 7260J	F0228		5340145759480	2
TM4334P024	END CAP	80 7260F	F0228		4920145759171	1
TM4334P025	PIN Ø8 LG.: 25	80 7260G	F0228		5315123931242	1
TM4334P026	PIN Ø10 LG.: 30	80 7260H	F0228		5315123931247	2
TM4334P027	PIN Ø8 LG.: 35	80 7260K	F0228		5315123931248	1
TM4375G001	BLANK	80 7650	F0228			1
TM4473G001	BLANK	80 7970	F0228			1
TM4511G001	PROTECTOR	80 7990	F0228			1
TM4575G001	BLANK	80 7660	F0228			1
TM4582G001	BLANK	80 7780	F0228			1
TM4590G001	BLANK	80 7790	F0228			1
TM4591G001	BLANK	80 7800	F0228			1
TM4592G001	BLANK	80 7810	F0228			1
TM4684G001	BLANK	80 3100	F0228			1
TM4735G001	MAGNETIC SEAL REMOVAL/INSTALLATION TOOL	60 7110	F0228		5120145759368	1
TM4735P001	PLUNGER BASE	60 7110A	F0228		5120145771429	1
TM4735P002	REAR-BASE	60 7110B	F0228		5120145771435	1
TM4735P003	FLANGE	60 7110C	F0228		5120145771437	1
TM4735P004	SPECIAL NUT	60 7110D	F0228		5310145771404	1
TM4735P005	STOP	60 7110E	F0228		5120145771439	1
TM4735P006	STUD M10	60 7110F	F0228		5307145771247	1
TM4735P010	TUBE OUTER Ø:6 TH.1 LENGHT 40	60 7110G	F0228		4710145771406	1
TM4865G001	VIBRATION CHECK KIT B&K 3656-A	40 0530	F0228		4920226254505	1
TM4890G002	HARNESS TEST BOX	40 0350	F0228		6625145635452	1
TM4890P001	BOX	40 0350A	F0228			1
TM4890P002	SPACER	40 0350B	F0228			1
TM4899G001	HARNESS	40 0400	F0228			1
TM4975G001	DRIVING WRENCH	60 7840	F0228			1
TM4975P001	SLEEVE 15Zx0,5mx30Px5h	60 7840	F0228			1
TM4975P002	AXIS	60 7840	F0228			1
TM4975P003	PIN	60 7840	F0228			1
TM5040G001	HEATING CLAMP EQUIPED	40 0550	F0228		4920145741014	1
TM5076G002	SUPPORT	40 0450	F0228		4920145783313	1
TM5076P004	SUPPORT	40 0450A	F0228		4920145846527	1

SAFRAN HELICOPTER ENGINES

ARRIEL 2 C1

MAINTENANCE TOOLS CATALOG

SAFRAN HELICOPTER ENGINES P/N	Description	OT No.	Mfr. NATO Code	Manufacturer PIN	NATO P/N	Qty
TM5076P005	COVER	40 0450B	F0228		4920145846528	1
TM5082G001	COLLECTOR AND MEASURING TOOL	30 0470	F0228			1
TM5083G001	SUPPORT TOOL	30 0480	F0228			1
TM5084G002	DRAINAGE PIPE	30 0450	F0228			1
TM5158G002	DRAINAGE PIPE	30 0460	F0228			1
TM5351G001	ACQUISITION SYSTEM B&K 2250-H-100	40 0530A	F0228		6625226254516	1
TM5351G101	PACKAGING B&K 8324-G-002	40 0530A1	F0228		6625226098678	1
TM5351G201	VIBRATION ANALYSER B&K 2250-H-001	40 0530A2	F0228		6625226254463	NP
TM5351G301	SD CARD 2GB B&K UL-1009	40 0530A7	F0228		7025226098588	1
TM5351G401	SIGNAL RECORDING SOFTWARE B&K BZ-7226	40 0530A8	F0228		7030226254467	NP
TM5351G501	A/C ADAPTATOR B&K ZG-0426	40 0530A9	F0228		6625226098573	1
TM5351G601	USB / MICRO USB ADAPTATOR B&K AO-1494	40 0530A10	F0228		5995226098576	1
TM5351G701	STYLET B&K UA-1654	40 0530A11	F0228		5835226098647	5
TM5351P201	BOX ASSY B&K 2250	40 0530A3	F0228			NP
TM5351P202	BATTERY B&K QB-0061	40 0530A4	F0228		6140226254452	1
TM5351P203	HINGED COVER B&K FB-0679	40 0530A5	F0228		6625226256795	1
TM5351P204	PROTECTION PLUG B&K DD-0594	40 0530A6	F0228		5965226256794	1
TM5352G001	PACKAGING AND MEASURE KIT B&K 8324-G-002	40 0530B	F0228		6680226254511	1
TM5352G101	ACCELEROMETER CABLE + LOAD AMPLIFIER B&K 2647-D-004	40 0530B1	F0228		6625226254538	1
TM5393G002	BLANK	80 7980	F0228			1
TM5407G001	BLANK	80 7430	F0228			1
TM5408G001	BLANK	80 7910	F0228			1
TM5563G002	BLANK	80 7610	F0228			1
TM5577G001	BLANK	80 7670	F0228			1
TM5596G001	ADAPTER	40 0560	F0228		4920145782018	1
TM5596P001	SUPPORT BLOC	40 0560A	F0228		4920145784780	1
TM5596P002	PLUG	40 0560B	F0228		4920145784781	1
TM5652G002	ADAPTER	40 0570	F0228			1
TM5652P001	ADAPTER	40 0570A	F0228			1
TM5676G001	ASSEMBLY CONE	60 7810	F0228			1
TM5677G001	ASSEMBLY CONE	60 7820	F0228			1
TM5780G001	ENGINE CONTAINER	80 3030	F0228			1
TM5878G001	SUPPORT	30 0430	F0228			1
TM6143G001	MOUNTING CONE	60 7830	F0228			1
TM6338G001	MOUNTING GUIDE	50 0030	F0228			1
TM6338P001	CENTERING	50 0030A	F0228			3
TM6338P002	CAPTIVE SCREW	50 0030B	F0228			6
TM6338P003	METRIC 3/8" OGV COLLET	50 0030C	F0228			3
TM6348G001	FEELER GAUGE	50 3020	F0228			1

List by P/N

Page 10

Dec. 30/2023

SAFRAN HELICOPTER ENGINES

ARRIEL 2 C1

MAINTENANCE TOOLS CATALOG

<i>SAFRAN HELICOPTER ENGINES P/N</i>	<i>Description</i>	<i>OT No.</i>	<i>Mfr. NATO Code</i>	<i>Manufacturer PIN</i>	<i>NATO P/N</i>	<i>Qty</i>
TM6518G003	POLYBOX BC V2	30 0410	F0228			1
TM6935G001	EROSION GAGE	30 7200	F0228		4920145907829	1
TM6935P001	GAGE	30 7200A	F0228		4920145781594	1
TM6940G001	MASS	40 0640	F0228			1
TM6947G001	POLYBOX DOUBLE CHANNEL HARNESS	30 0420	F0228			1
TM8012G001	BLANK,POWER SHAFT	80 8040	F0228			1
TM8013G001	PROTECTOR	80 7170	F0228			1
TM8013P001	UPPER PROTECTOR	80 7170A	F0228			1
TM8013P002	LOWER PROTECTOR	80 7170B	F0228			1
TM8198G001	SHELL ASSEMBLY	50 9560	F0228			1
TM8199G001	SHELL ASSEMBLY	50 9570	F0228			1

PAGE LEFT BLANK INTENTIONALLY

LIST OF TOOLS BY OT NUMBER

OT No.	Description	SAFRAN HELICOPTER ENGINES P/N	Mfr. NATO Code	Manufacturer PIN	NATO P/N	Qty
20 0010	TANK, PRESSURE GENERATOR	TM0188G002	F0228		4940145269189	1
20 0010A	CHASSIS	TM0188P132	F0228		4320145763153	1
20 0010B	PUMP	TM0188P102	F0228		4320145763131	1
20 0010C	EQUIPPED PIPE	TM0188P103	F0228		4720145763148	1
20 0010D	ELECTRICAL MOTOR	TM0188P133	F0228		6105145763154	1
20 0010E	COVER	TM0188P105	F0228		5340145763151	1
20 0010F	TANK	TM0188G201	F0228		4940145763125	1
20 0010G	SWITCH (LS-1806158)	TM0188P126	F0228		5930144498656	1
20 0010H	RELAY 24V-20A (LS-1806160)	TM0188P127	F0228		5945121667609	1
20 0010I	COUPLING (LS-1806213)	TM0188P123	F0228		3010145763836	1
20 0020	FLOW LIMITER ASSEMBLY	8819505000	F0228		4920144822473	1
20 0020A	UNION WITH MALE ENDS	9560153380	F0215	6924-5004	4730144640367	1
20 0020B	UNION WITH FEMALE ENDS	9560153370	F0215	6924-4004	4730143918570	1
20 0020C	VALVE, FINE TRIMMING	8819505005	F0228		4820145648908	1
20 0030	UNION, BLEED VALVE	8816517000	F0228		4730144903193	1
20 0030A	BOLT, BANJO	8816517001	F0228		4730145758053	1
20 0030B	UNION END	8816517002	F0228		4730145758938	1
20 0030C	PACKING, PREFORMED	9794410040	F0111	46012A00400	5331144290274	1
20 0030D	SEAL	9752010044	F0228		5330140100904	1
20 0030E	PLUG, THREADED	9897060031	F0228		5365140313451	1
30 0010	TUBE, OIL PRESSURE TAPPING	8816540000	F0228		4710145245841	1
30 0010A	DOUBLE UNION	9770060034	F0228		4730143001881	1
30 0020	PERMEABILITY MEASURING TOOL, ASSEMBLY	8816968000	F0228		6635144432812	1
30 0020A	TUBE	8816968019	F0228		4710145758492	1
30 0020B	VALVE	8816968010	F0228		4820143885623	1
30 0040	GUIDE, BORESCOPIC	8819571000	F0228		4710144308997	1
30 0050	ARINC 429 CEI-710 adaptor board (CONDOR Engineering)	9610078440	F0228		5998016174913	1
30 0060	SENSOR SUPPORT	TM0318G001	F0228		5180145674599	1
30 0060A	BODY	TM0318P001	F0228		4920145781888	1
30 0060B	CAPTIVE SCREW	TM0318P002	F0228		5306145781581	1
30 0060C	SUPPORT	TM0318P003	F0228		5340145782087	1
30 0080	HARNESS	TM0902G001	F0228		6625145781923	1
30 0090	ADAPTER HARNESS	TM2082G001	F0228		5935145551536	1
30 0170	STRIPBOARD CUTTER	9610019070	F0228		5120997195219	1
30 0190	ARINC 429 CEI-715-22 adaptor board (CONDOR Engineering)	9610086160	F0228		5998016174912	1
30 0240	OIL PRESSURE INLET	TM3199G002	F0228		4920145782002	1
30 0240A	PIPING DN6	TM3199P002	F0228		4920145782002	1
30 0240B	O RING	9794410056	F0228		5331144191015	1
30 0270	SEAL PLUG	TM1494G001	F0228			1
30 0280	BLANK	TA5124G001	F0228		5342145316252	1
30 0290	HARNESS	TM0568G002	F0228		6625145781813	1

SAFRAN HELICOPTER ENGINES

ARRIEL 2 C1

MAINTENANCE TOOLS CATALOG

OT No.	Description	SAFRAN HELICOPTER ENGINES P/N	Mfr. NATO Code	Manufacturer PIN	NATO P/N	Qty
30 0290A	BOX	TM0568G101	F0228		4920145781805	1
30 0290B	ARINC 429 CEI-715 HARNESS	TM0568G201	F0228		6625145781827	1
30 0290C	ARINC 429 CEI-710 HARNESS	TM0568G301	F0228		6625145781822	1
30 0290D	2XRS422 HARNESS	TM0568G401	F0228		6625145781817	1
30 0290E	RS422/RS232 HARNESS	TM0568G501	F0228		6625145781828	1
30 0290F	2XRS232 HARNESS	TM0568G601	F0228		6625145781815	1
30 0310	2xRS422 PCMCIA CARD	9610090040	F0228			1
30 0320	RS422 PCMCIA CARD	9610084550	F0228		7025015225085	1
30 0400	ARRIEL 2 FADEC B EMC101 INTERFACE SOFTWARE	TL0336G003	F0228			1
30 0410	POLYBOX BC V2	TM6518G003	F0228			1
30 0420	POLYBOX DOUBLE CHANNEL HARNESS	TM6947G001	F0228			1
30 0430	SUPPORT	TM5878G001	F0228			1
30 0440	TANK	TA5147G401	F0228			1
30 0450	DRAINAGE PIPE	TM5084G002	F0228			1
30 0460	DRAINAGE PIPE	TM5158G002	F0228			1
30 0470	COLLECTOR AND MEASURING TOOL	TM5082G001	F0228			1
30 0480	SUPPORT TOOL	TM5083G001	F0228			1
30 0510	CONTROL UNIT	8816445000	F0228			1
30 7200	EROSION GAGE	TM6935G001	F0228		4920145907829	1
30 7200A	GAGE	TM6935P001	F0228		4920145781594	1
40 0010	CONTROL UNIT (OPEN/ CLOSED CONTACT)	8815661000	F0228		4920145771275	1
40 0020	VIBRATION MEASURING KIT	8816694000	F0228		6635144308998	1
40 0020A	VIBRATION METER	8816694101	F0228		6635144458619	1
40 0020B	CABLE	8816694103	F0228		6145144458621	1
40 0020C	SCREW CHc M4X12	9848401229	F0228		5305143550508	3
40 0020D	BATTERY TYPE R6 1.5 V	9542110520	F0228			3
40 0020E	VINYL POCKET 45x110	9678400120	F0228			1
40 0020F	CABLE B&K WLO748	8816694103	F0228			1
40 0030	MONITORING HARNESS	8816949000	F0228		6625145740964	1
40 0040	POWER SUPPLY HARNESS	8817367000	F0228		6150144803080	1
40 0060	ADAPTER FITTING	8818339000	F0228		4730145207015	1
40 0070	ADAPTER, FITTING	8819387000	F0228		4920145548287	1
40 0080	ADAPTER, FITTING	8819389000	F0228		4920145551602	1
40 0090	ADAPTER, FITTING	8819795000	F0228		4920145551604	1
40 0090A	PACKING, PREFORMED	9794410140	F0111	46012A01400	5331144435923	1
40 0100	HARNESS	8819796000	F0228		6150145548288	1
40 0110	TEST SET ASSEMBLY, HARNESSES	8819925000	F0228		6625145207039	1
40 0140	ACCELEROMETER B&K 8324	9610017700	F0228	8324I	6680223086122	1
40 0150	HELICOPTER POWER SUPPLY CABLE (SMA2.03.10)	9610064500	FA1B4	SMA2-03-10	6150145260114	1
40 0160	VIBRATION TEST SET ASSY	TM1388G010	F0228		4920145781605	1
40 0160A	SEMIA EQUIPMENT	TM1388G110	F0228		4920145781945	1

List by OT No.

Page 2

Dec. 30/2023

SAFRAN HELICOPTER ENGINES

ARRIEL 2 C1

MAINTENANCE TOOLS CATALOG

OT No.	Description	SAFRAN HELICOPTER ENGINES P/N	Mfr. NATO Code	Manufacturer PIN	NATO P/N	Qty
40 0160A1	TACHOMETER CABLE SEMIA SAR 22-03-05	9610068630	F0228	SAR 22-03-06	6625145782218	1
40 0160A2	WORK CARD, EXTERNAL KIT SEMIA T.PVA.S2.01.067	9610084440	F0228	T.PVA.S2.01.067	7610145782219	1
40 0160B	TURBOMECA EQUIPMENT	TM1388G210	F0228		4920145781946	1
40 0160B1	ACCELEROMETER ENDEVCO 6233C-10	9610046360	F9106	6233C10	6680014807196	1
40 0160B2	TEST SET	9610017670	F8252	2006	4920145541302	1
40 0160B3	SCREW CHC M4x10 Inox	1616040105	F0228			3
40 0180	SEMIA SYNTHAM 2000.4 + PC	TM0104G012	F0228		4920145401176	1
40 0180A	SYNTHAM 2000.4/V3.1	TM0104G112	F0228		4920145575338	1
40 0180A1	TRANSPORT CASE (SEMIA S00-123)	9610064590	F0228	(SEMIA S00-123)	7030145755893	1
40 0180A2	BOX ASSY (SEMIA S2000.4)	9610090180	F0228	(SEMIA S2000.4)	4920145575336	1
40 0180A3	PC CABLE (SPC2-04)	9610090190	F0228	(SPC2-04)	6150145575335	1
40 0180A4	ACCELEROMETER CABLE (SMA-03-01-12)	9610064560	F0228	(SMA-03-01-12)	5995145281933	1
40 0180A5	BATTERY CHARGER (SEMIA SMA2-04-01)	9610068790	F0228	(SEMIA SMA2-04-01)	7610145755645	1
40 0180A6	SOFTWARE BS2000 (SEMIA T.PVA.S2.98.999)	9610084310	F0228	(SEMIA T.PVA.S2.98.999)	8460145281937	1
40 0180A7	MANUAL BS2000 A/F (SEMIA T.DOC.S2.00.034)	9610084320	F0228	(SEMIA T.DOC.S2.00.034)	7030145755897	1
40 0180A8	SLIDE SOFTWARE CVM (SEMIA T.PVA.S2.98.1000)	9610084330	F0228	(SEMIA T.PVA.S2.98.1000)	7610145755711	1
40 0180A9	MANUAL CVM A/F (SEMIA T.DOC.S2.00.039)	9610084340	F0228	(SEMIA T.DOC.S2.00.039)	6130145281934	1
40 0180B	LAPTOP (SEMIA PC/ S00-2000A)	9610064600	F0228	(SEMIA PC/ S00-2000A)	7010145755672	1
40 0180C	LABEL	8815099808	F0228			1
40 0250	HARNESS	TM0393G003	F0228			1
40 0260	CONNECTORS, SET, FOR THE SELF-TEST	TM0394G002	F0228			1
40 0270	TOOL FOR LEAKAGE TEST	TM2230G001	F0228		5180145781858	1
40 0270A	PIPE	TM2230P004	F0228	1025U10-08	4720144689365	1
40 0270B	CLAMP	TM2230P006	F0228	5/7-11	4730142387621	1
40 0270C	FLANGE	TM2230P001	F0228		4920145781855	1
40 0270D	PACKING, PREFORMED	TM2230P005	F0228	105 429	5331144891067	1
40 0270E	CORRUJOINT	9945000060	F0228		5330144677689	1
40 0270F	BLANK	TM2230P002	F0228		4920145781948	1
40 0270G	EXTRACTOR	TM2230P007	F0228		5120145781860	1
40 0270H	BOLT	9836405022	F0228		5306144707600	4
40 0280	GENERATING TOOL, HYDRAULIC PRESSURE	TM0807G001	F0228		4940145177482	1
40 0290	PRESSURE GAGE, POCKET, ASSEMBLY	TM1609G001	F0228		6620145279452	1
40 0290A	MEASURING SYSTEM	TM1608G001	F0228		6620145572011	1
40 0290A1	DIGITAL INDICATOR	TM1608P001	F0228		6625145572004	1
40 0290A2	SENSOR PRESSURE	TM1608P002	F0228		2990145572006	1
40 0290A3	SHIELED CONNECTION HARNESS	TM1608P003	F0228		4920145572007	1

List by OT No.

Page 3

Dec. 30/2023

SAFRAN HELICOPTER ENGINES

ARRIEL 2 C1

MAINTENANCE TOOLS CATALOG

OT No.	Description	SAFRAN HELICOPTER ENGINES P/N	Mfr. NATO Code	Manufacturer PIN	NATO P/N	Qty
40 0290B	FLAT SEAL	9752010044	F0228		5330140100904	1
40 0290C	ADAPTER	8815099420	F0228		4730145206999	1
40 0290D	FLAT SEAL	9752014044	F0228		5330140100918	1
40 0290E	DOUBLE UNION	9770060034	F0228		4730143001881	1
40 0300	JET UNION	TM1743G002	F0228		4730145771244	1
40 0350	HARNESS TEST BOX	TM4890G002	F0228		6625145635452	1
40 0350A	BOX	TM4890P001	F0228			1
40 0350B	SPACER	TM4890P002	F0228			1
40 0350C	CONTINUITY CARD	TM1164G001	F0228			1
40 0350D	PLATE FIRME	8815099832	F0228			1
40 0400	HARNESS	TM4899G001	F0228			1
40 0440	FLEXIBLE PIPE	TM1330G001	F0228		4720145542636	1
40 0450	SUPPORT	TM5076G002	F0228		4920145783313	1
40 0450A	SUPPORT	TM5076P004	F0228		4920145846527	1
40 0450B	COVER	TM5076P005	F0228		4920145846528	1
40 0510	ADAPTER, FITTING	TM2421G002	F0228		4920145782016	1
40 0520	HARNESS	TM0429G001	F0228		6625145767268	1
40 0530	VIBRATION CHECK KIT	TM4865G001	F0228		4920226254505	1
	B&K 3656-A					
40 0530A	ACQUISITION SYSTEM	TM5351G001	F0228		6625226254516	1
	B&K 2250-H-100					
40 0530A1	PACKAGING B&K 8324-G-002	TM5351G101	F0228		6625226098678	1
40 0530A10	USB / MICRO USB ADAPTATOR B&K AO-1494	TM5351G601	F0228		5995226098576	1
40 0530A11	STYLET B&K UA-1654	TM5351G701	F0228		5835226098647	5
40 0530A2	VIBRATION ANALYSER B&K 2250-H-001	TM5351G201	F0228		6625226254463	NP
40 0530A3	BOX ASSY B&K 2250	TM5351P201	F0228			NP
40 0530A4	BATTERY B&K QB-0061	TM5351P202	F0228		6140226254452	1
40 0530A5	HINGED COVER B&K FB-0679	TM5351P203	F0228		6625226256795	1
40 0530A6	PROTECTION PLUG B&K DD-0594	TM5351P204	F0228		5965226256794	1
40 0530A7	SD CARD 2GB B&K UL-1009	TM5351G301	F0228		7025226098588	1
40 0530A8	SIGNAL RECORDING SOFTWARE B&K BZ-7226	TM5351G401	F0228		7030226254467	NP
40 0530A9	A/C ADAPTATOR B&K ZG-0426	TM5351G501	F0228		6625226098573	1
40 0530B	PACKAGING AND MEASURE KIT B&K 8324-G-002	TM5352G001	F0228		6680226254511	1
40 0530B1	ACCELEROMETER CABLE + LOAD AMPLIFIER B&K 2647-D-004	TM5352G101	F0228		6625226254538	1
40 0530B2	SCREW CHC M4X10 B&K YS-8407	1616040107	F0228		5305226255698	3
40 0540	IMPERVIOUS SUPPORT	TA5150G001	F0228		4920145741005	1
40 0550	HEATING CLAMP EQUIPED	TM5040G001	F0228		4920145741014	1
40 0560	ADAPTER	TM5596G001	F0228		4920145782018	1
40 0560A	SUPPORT BLOC	TM5596P001	F0228		4920145784780	1
40 0560B	PLUG	TM5596P002	F0228		4920145784781	1

List by OT No.

Page 4

Dec. 30/2023

00-00-41

SAFRAN HELICOPTER ENGINES

ARRIEL 2 C1

MAINTENANCE TOOLS CATALOG

OT No.	Description	SAFRAN HELICOPTER ENGINES P/N	Mfr. NATO Code	Manufacturer PIN	NATO P/N	Qty
40 0570	ADAPTER	TM5652G002	F0228			1
40 0570A	ADAPTER	TM5652P001	F0228			1
40 0570B	SCREW CONNECTOR 1/8"NPT	2103014600	F0228			1
40 0610	CHECKING TOOL	TM2058G001	F0228		5180145396125	1
40 0640	MASS	TM6940G001	F0228			1
50 0010	BASE	TM0373G001	F0228		5120145782064	1
50 0020	CASTLE WRENCH	TM0515G002	F0228		4920145781863	1
50 0020A	WRENCH	TM0515P001	F0228		5120145781866	1
50 0020B	PACKING, PREFORMED	TM0515P002	F0228	114203	5331144342453	1
50 0030	MOUNTING GUIDE	TM6338G001	F0228			1
50 0030A	CENTERING	TM6338P001	F0228			3
50 0030B	CAPTIVE SCREW	TM6338P002	F0228			6
50 0030C	METRIC 3/8" OGV COLLET	TM6338P003	F0228			3
50 3010	ASSEMBLY GUIDE	TM3174G001	F0228		4920145781598	1
50 3010A	CENTERING	TM3174P001	F0228		4920145781847	3
50 3010B	CAPTIVE SCREW	TM3174P002	F0228		5305145781619	6
50 3010C	SLEEVE	TM3174P003	F0228		5120142226148	3
50 3010D	WRENCH	TM3174P004	F0228		5120145279776	1
50 3010E	WRENCH	TM3174P006	F0228		5120145075717	1
50 3020	FEELER GAUGE	TM6348G001	F0228			1
50 7090	TOOL FOR INSTALLATION OF THE GEAR/BEARING	8812136000	F0228		5120144103512	1
50 7090A	SHROUD	8812136001	F0228		4920145846509	1
50 7090B	MANDREL	8812136002	F0228		4920145846511	1
50 7090C	FRICTION WASHER	8812136004	F0228		5310145846514	1
50 7090D	NUT	8812136005	F0228			1
50 7110	COMPARATOR SUPPORT	8813435200	F0228		5180145541321	1
50 7110A	SUPPORT	8813435201	F0228		5340145782084	1
50 7110B	PLIERS	8813435202	F0228		4920145781986	3
50 7110C	SPACER	8813435203	F0228		5365145781507	1
50 7110D	CENTERING PIECE	8813435204	F0228		5365145781505	1
50 7110E	PLUG	8813435205	F0228		5340145781504	1
50 7110F	GRIP	8813435206	F0228		4920145781989	1
50 7110G	Ø 8 ROD	8813435207	F0228		5315145782113	1
50 7110H	STUD	8813435208	F0228		5307145781508	2
50 7110I	CONCAVE WASHER	8813435209	F0228	0742050	5310145781515	4
50 7110J	CONVEX WASHER	8813435210	F0228	0746050	5310143988614	4
50 7110K	KNURLED NUT	8813435211	F0228	0605050	5310144015240	4
50 7110L	KNURLED NUT	8813435212	F0228	0611060	5310143491416	1
50 7250	INSTALLATION TOOL	8818171000	F0228		5120145674614	1
50 7250A	BODY	8818171001	F0228		4920145781870	1
50 7250B	SUPPORT	8818171002	F0228		5120145782086	1
50 7250C	END FITTING	8818171003	F0228		4730145758930	1
50 7250D	DOUBLE UNION DN6	8818171006	F0228		4730143001881	1
50 7250E	SEAL	9752010044	F0228		5330140100904	1
50 7250F	PACKING, PREFORMED	9681502501	F0228		5331143792000	1
50 7250G	LOCKING SCREW M10 LG 60	8818171011	F0228	07120-10X60	5305144131800	1
50 7250H	FRICTION PAD	8818171012	F0228	07141-10	5310143988175	1
50 7250I	KNURLED NUT M10	8818171013	F0228	06010-210	5310145338313	1
50 7320	REAR BEARING, BEARING INNER RING, INSTALLATION TOOL	8818825000	F0228		5120145781253	1

SAFRAN HELICOPTER ENGINES

ARRIEL 2 C1

MAINTENANCE TOOLS CATALOG

OT No.	Description	SAFRAN HELICOPTER ENGINES P/N	Mfr. NATO Code	Manufacturer PIN	NATO P/N	Qty
50 7320A	SCREW	8818825001	F0228		4920145781647	1
50 7320B	NUT	8818825002	F0228		5310145781889	1
50 7320C	PUSHER	8818825003	F0228		5120145782001	1
50 7340	ASSEMBLY FIXTURE	8819681000	F0228		4920143970885	1
50 7340A	SCREW M12 X 125	8815099760	F0228		5306145759470	1
50 7340B	WRENCH	8815099764	F0228		5120145781974	1
50 7340C	SPACER	8815099762	F0228		5365145771373	1
50 7340D	NUT	8815099761	F0228		5310145771377	1
50 7370	SEGMENT HOLDING TOOL	8819774000	F0228		4920145781268	1
50 7400	SEGMENT BONDING TOOL	8819987000	F0228		5120145674662	1
50 7630	SEGMENT INSTALLATION TOOL	TM0790G001	F0228		4920145781933	1
50 7630A	GUIDE	TM0790P001	F0228		4920145781932	1
50 7640	POSITIONING FIXTURE	TM0856G001	F0228		4920145758182	1
50 7680	GUIDE	TM1775G001	F0228		4920145758147	1
50 7700	IMMOBILIZER END-FITTING	TM2012G001	F0228		5120145758077	1
50 7800	GAGE FOR IGNITER PLUGS POSITIONING	8812331000	F0228		5210143872634	1
50 7800A	BODY	8812331001	F0228		4920145758094	1
50 7800B	INDEX	8812331002	F0228		5315145758922	1
50 7800C	SCREW, KNURLED	8812331005	F0228		5305145781470	1
50 7800D	M5 EXTRACTOR	8812331006	F0228		5120145781468	2
50 7980	MEASURING TOOL	8819772000	F0228			1
50 7980A	BODY	8819772001	F0228			1
50 7980B	CENTERING	8819772002	F0228			1
50 7980C	SUPPORT	8819772009	F0228			1
50 8100	MEASURING TOOL	TM1123G001	F0228		4920145781980	1
50 9550	SET OF 3 GUIDES	TM1689G002	F0228			1
50 9560	SHELL ASSEMBLY	TM8198G001	F0228			1
50 9570	SHELL ASSEMBLY	TM8199G001	F0228			1
60 0010	DISASSEMBLY/ ASSEMBLY THIMBLE SET	8818688000	F0228		5120145781243	1
60 0010A	BUSHING	8818688001	F0228		5120145781949	1
60 0010B	BUSHING	8818688002	F0228		5120145781950	1
60 0020	GAS GENERATOR SUPPORT PLATE	8813418000	F0228		4920143970887	1
60 0040	EXTRACTOR	8813521000	F0228		5120143991808	1
60 0060	PROTECTION TUBE HOLDING TOOL	8815010000	F0228		4920144514454	1
60 0080	EXTRACTOR WITH JAWS	8818836200	F0228		5120145674566	1
60 0080A	CLAMP NUT	8818836207	F0228	621 100 064	5305144972721	1
60 0080B	BODY	8818836202	F0228		5120145781884	1
60 0080C	JAWS, SET OF THREE	8818836203	F0228		5120145781885	1
60 0140	DRIVING WRENCH	8819959000	F0228		5120145781286	1
60 0160	INSTALLATION TOOL	TM1991G001	F0228		4920145758260	1
60 3020	WRENCH SET	TM2776G001	F0228			1
60 3040	SET OF 3 EXTRACTORS	8810600104	F0228			1
60 7010	EXTRACTORS M5 / 080, SET OF THREE	8810131088	F0228		5120142943519	1
60 7050	CENTERING PIECE-IMMOBILIZER	8812137000	F0228		4920145781146	1
60 7050A	IMMOBILIZER	8812137001	F0228		4920145781936	1
60 7050B	PEGS	8812137002	F0228		5310145782006	2

List by OT No.

Page 6

Dec. 30/2023

00-00-41

SAFRAN HELICOPTER ENGINES

ARRIEL 2 C1

MAINTENANCE TOOLS CATALOG

OT No.	Description	SAFRAN HELICOPTER ENGINES P/N	Mfr. NATO Code	Manufacturer PIN	NATO P/N	Qty
60 7100	GUIDING STUDS, SET OF 4	8813071000	F0228		5180145759362	1
60 7100A	GUIDING STUD	8813071001	F0228		5365145771410	3
60 7100B	GUIDING STUD	8813071004	F0228		5365145771415	1
60 7110	MAGNETIC SEAL REMOVAL/INSTALLATION TOOL	TM4735G001	F0228		5120145759368	1
60 7110A	PLUNGER BASE	TM4735P001	F0228		5120145771429	1
60 7110B	REAR-BASE	TM4735P002	F0228		5120145771435	1
60 7110C	FLANGE	TM4735P003	F0228		5120145771437	1
60 7110D	SPECIAL NUT	TM4735P004	F0228		5310145771404	1
60 7110E	STOP	TM4735P005	F0228		5120145771439	1
60 7110F	STUD M10	TM4735P006	F0228		5307145771247	1
60 7110G	TUBE OUTER Ø:6 TH.1 LENGHT 40	TM4735P010	F0228		4710145771406	1
60 7130	SEALING RING REMOVAL-INSTALLATION TOOL	8813824000	F0228		5120143872642	1
60 7130A	BODY	8813824001	F0228		5120145759403	1
60 7130B	DETACHABLE SUPPORT	8813824002	F0228		5120145759412	1
60 7130C	STUD	8813824003	F0228		5315145758127	1
60 7130D	SERRATED NUT M10 1.50 PIT	8813824004	F0228		5310144414146	1
60 7130E	PLAIN WASHER	8813824005	F0228		5310121216673	1
60 7130F	SEAL	9752010044	F0228		5330140100904	1
60 7130G	DOUBLE UNION	9770060034	F0228		4730143001881	1
60 7130H	PACKING, PREFORMED	9681502501	F0228		5331143792000	1
60 7130I	END FITTING	8815099331	F0228		4730145758930	1
60 7160	WRENCH AND IMMOBILIZATION TOOL	8816082000	F0228		5120143872632	1
60 7160A	WRENCH	8816082009	F0228		5120145781557	1
60 7160B	IMMOBILIZATION TOOL	8816082008	F0228		5120145781938	1
60 7220	WRENCH	8818805000	F0228		5120145781249	1
60 7250	LINKING TOOL	8818828000	F0228		4920145674597	1
60 7330	GEAR CLAMPING TOOL	8818837000	F0228		4920145781621	1
60 7380	LOOSENING/ TIGHTENING TOOL ASSEMBLY FOR INLET CONE	8819527000	F0228		5120143970874	1
60 7380A	RATCHET WRENCH	8819527002	F0228		5120145758070	1
60 7380B	GUIDE	8819527003	F0228		4920145758145	1
60 7380C	CAPTIVE SCREW	8819527005	F0228		5355145781528	1
60 7380D	PIN	8819527006	F0228		5315145781523	1
60 7380E	IMMOBILIZER	8819527001	F0228			1
60 7400	WRENCH	8819683000	F0228		5120145674649	1
60 7420	DEOILER COVER REMOVAL TOOL	8819952000	F0228		5180145674593	1
60 7420A	BODY	8819952001	F0228		5120145781994	1
60 7420B	BOLT	8819952002	F0228		5306145782122	1
60 7420C	NUT	8819952003	F0228		5310145781890	1
60 7430	SEGMENT HOLDING TOOL	8819958000	F0228		4920145781284	1
60 7530	SPECIAL WRENCH	TM1463G001	F0228		4920145674653	1
60 7580	HOISTING BEAM	8818841000	F0228		1730145674575	1
60 7580A	PLATE, RH	8818841002	F0228		5340145781991	1
60 7580B	PLATE, LH	8818841003	F0228		5340145781992	1

SAFRAN HELICOPTER ENGINES

ARRIEL 2 C1

MAINTENANCE TOOLS CATALOG

OT No.	Description	SAFRAN HELICOPTER ENGINES P/N	Mfr. NATO Code	Manufacturer PIN	NATO P/N	Qty
60 7580C	SCREW, KNURLED	8818841009	F0228	06090-06X25	5305145533143	1
60 7590	HYDRAULIC UNIT	TM0588G001	F0228		3040145223824	1
60 7660	MAGNETIC SEAL INSTALLATION/REMOVAL TOOL	TM0357G004	F0228		5120145677598	1
60 7660A	BASE	TM0357P015	F0228		5120145782049	1
60 7660B	FLANGE	TM0357P016	F0228		5120145781560	1
60 7660C	END FITTING	8815099331	F0228		4730145758930	1
60 7660D	DOUBLE UNION	9770060034	F0228		4730143001881	1
60 7660E	SEAL	9752010044	F0228		5330140100904	1
60 7660F	BONDED SEAL	TM0357P013	F0228		5310121216673	1
60 7660G	STUD	TM0357P014	F0228	07020-310	5307145745143	1
60 7660H	KNURLED NUT	TM0357P012	F0228		5310145781573	1
60 7660I	PACKING, PREFORMED	TM0357P006	F0228	143203	5331142678208	1
60 7660J	PACKING, PREFORMED	TM0357P007	F0228	157200	5331143672025	2
60 7660K	PACKING, PREFORMED	9682506601	F0228		5331142137826	1
60 7670	WRENCH AND IMMOBILIZATION TOOL	8819570000	F0228		5180145781263	1
60 7670A	IMMOBILIZATION TOOL	8819570001	F0228		4920145781941	1
60 7670B	WRENCH	8819570002	F0228		5120145781940	1
60 7670C	NUT	9610051570	F0228	HU5/16-24UNF	5305016237019	1
60 7810	ASSEMBLY CONE	TM5676G001	F0228			1
60 7820	ASSEMBLY CONE	TM5677G001	F0228			1
60 7830	MOUNTING CONE	TM6143G001	F0228			1
60 7840	DRIVING WRENCH	TM4975G001	F0228			1
60 7840	SLEEVE 15Zx0,5mx30Px5h	TM4975P001	F0228			1
60 7840	AXIS	TM4975P002	F0228			1
60 7840	PIN	TM4975P003	F0228			1
70 0010	EXTRACTOR	8818691000	F0228		5120145781245	1
70 3010	SEAL EXTRACTOR	TM3261G001	F0228		5120145781921	1
70 3020	UNLOCK TOOL	8810007009	F0228			1
70 7070	TRIPOD (GAS GENERATOR SUPPORT)	8813150000	F0228		4920143970884	1
70 7140	REAR BEARING, BEARING INNER RING, EXTRACTOR	8818804000	F0228		5120145781246	1
70 7140A	BODY	8818804001	F0228		5120145781438	1
70 7140B	SCREW	8818804002	F0228		5306145781449	1
70 7140C	RING	8818804003	F0228		5365145781429	1
70 7140D	SKID	8818804004	F0228		5120145781944	1
70 7140E	JAWS, SET OF TWO	8818804005	F0228		5120145781943	1
70 7160	EXTRACTOR FOR POWER SHAFT BEARING	8818842000	F0228		5120145824079	1
70 7160A	SET OF TWO CLAWS	8818842001	F0228		5120145846516	1
70 7180	EXTRACTOR	8819653000	F0228		5120145674569	1
70 7180A	CORE	8819653001	F0228		5120145781947	1
70 7180B	SCREW	8819653002	F0228		5315145781541	1
70 7180C	SET OF EXCHANGER CLAWS	8819653003	F0228		5120145781978	1
70 7180D	SET OF NGV CLAWS	8819653004	F0228		5120145781976	1
80 0030	ENGINE SUPPORT MOUNT	8819114000	F0228		4920143900040	1
80 0060	SUPPORT, MODULAR ASSEMBLY	TM0038G003	F0228		4920145371902	1
80 0060A	CHASSIS	TM0038P001	F0228		4920145758063	1

List by OT No.

Page 8

Dec. 30/2023

SAFRAN HELICOPTER ENGINES

ARRIEL 2 C1

MAINTENANCE TOOLS CATALOG

OT No.	Description	SAFRAN HELICOPTER ENGINES P/N	Mfr. NATO Code	Manufacturer PIN	NATO P/N	Qty
80 0060B	RIGHT ARM	TM0038P002	F0228		4920145758055	1
80 0060C	LEFT ARM	TM0038P016	F0228		4920145758057	1
80 0060D	REAR SUPPORT	TM0038P004	F0228		4920145758379	1
80 0060E	FRONT SUPPORT	TM0038P005	F0228		4920145758464	1
80 0060F	SHOE	TM0038P012	F0228		5340145782047	1
80 0060G	CLAMP	8815099755	F0228		4730145541276	1
80 0070	TUBE, DRAIN	TM1257G001	F0228		4720145319500	1
80 0070A	PACKING, PREFORMED	9681500881	F0228		5331143078639	1
80 0080	TUBE, DRAIN	TM1780G001	F0228			1
80 0080A	PACKING, PREFORMED	9794410060	F0111	46012A00600	5331144819116	1
80 0090	TUBE, DRAIN	TM1781G002	F0228			1
80 0090A	PACKING, PREFORMED	9794410069	F0111	46012A00690	5331144290275	1
80 3010	SHIPMENT CONTAINER	8242000000	F0228			1
80 3020	METALLIC CONTAINER	8819212000	F0228			1
80 3030	ENGINE CONTAINER	TM5780G001	F0228			1
80 3040	SHIPMENT CONTAINER	8242000160	F0228			1
80 3050	SHIPMENT CONTAINER	8242001010	F0228			1
80 3060	SHIPMENT CONTAINER	8242000190	F0228			1
80 3070	SHIPMENT CONTAINER	8242000210	F0228			1
80 3080	SHIPMENT CONTAINER	8242000220	F0228			1
80 3090	SHIPMENT CONTAINER	8242000230	F0228			1
80 3100	BLANK	TM4684G001	F0228			1
80 3110	BLANK	8816413000	F0228			1
80 3130	BLANK	9560163420	F0228			1
80 3140	U20 PLUG	9560111150	F0228			1
80 3160	BLANK	TM0853G001	F0228		4920146050152	1
80 3170	BLANK	TM2015G002	F0228		4920146050156	1
80 3180	BLANK	TM0852G001	F0228		5340145749419	1
80 3190	BLANK	TM2454G001	F0228		4920145755809	1
80 3200	BLANK	TA5123G001	F0228		5342145316251	1
80 3210	BLANK	8819792000	F0228		4920146050151	1
80 3220	BLANK	8818649000	F0228		4920146050150	1
80 3230	BLANK	8816547000	F0228		4920146050149	1
80 7040	TUBE, DRAIN	8812187000	F0228		4720143872631	1
80 7040A	PACKING, PREFORMED	9681801082	F0228		5331143827606	1
80 7050	WEDGE, TURBINE CASING	8812240000	F0228		4920143970877	1
80 7050A	SHIM	8812240001	F0228		5365145781293	1
80 7050B	Ø 120x18 TIGHTENING CLAMP	8812240002	F0228	Diam 120x18	4730144103526	1
80 7060	MODULE 05 C2R PACKAGING	8813054000	F0228		8145144100098	1
80 7060A	BLANKS, KIT	8813054200	F0228		8145145781304	1
80 7070	BLANK, BLEED VALVE	8813752000	F0228		5340145245839	1
80 7170	PROTECTOR	TM8013G001	F0228			1
80 7170A	UPPER PROTECTOR	TM8013P001	F0228			1
80 7170B	LOWER PROTECTOR	TM8013P002	F0228			1
80 7250	HOISTING BEAM, TILTING	8813368000	F0228		4920144100127	1
80 7250A	SUPPORT ARCH	8813368001	F0228		4920145758037	1
80 7250B	TRUNNION	8813368002	F0228		4920145759022	1
80 7260	HANDLING DEVICE	TM4334G003	F0228		3940145758254	1
80 7260A	SPREADER	TM4334P007	F0228		3940145758307	1
80 7260B	CLEVIS	TM4334P009	F0228		5340145759478	1
80 7260C	CLEVIS	TM4334P010	F0228		4920145758040	2
80 7260D	CLEVIS	TM4334P011	F0228		4920145758042	2

SAFRAN HELICOPTER ENGINES

ARRIEL 2 C1

MAINTENANCE TOOLS CATALOG

OT No.	Description	SAFRAN HELICOPTER ENGINES P/N	Mfr. NATO Code	Manufacturer PIN	NATO P/N	Qty
80 7260E	STOP RING	TM4334P012	F0228		5365145759165	1
80 7260F	END CAP	TM4334P024	F0228		4920145759171	1
80 7260G	PIN Ø8 LG.: 25	TM4334P025	F0228		5315123931242	1
80 7260H	PIN Ø10 LG.: 30	TM4334P026	F0228		5315123931247	2
80 7260I	SHOULDERED SCREW	TM4334P020	F0228		5305145759267	2
80 7260J	CLEVIS	TM4334P021	F0228		5340145759480	2
80 7260K	PIN Ø8 LG.: 35	TM4334P027	F0228		5315123931248	1
80 7330	BLANK	TM3346G001	F0228			1
80 7350	BLANK, LINKING TUBE JUNCTION	8816714000	F0228			1
80 7360	U8 PLUG	9560111080	F0228			1
80 7370	PLUG	9561490100	F0228			1
80 7380	PLUG	9789141500	F0228			1
80 7390	U29 PLUG	9789400290	F0228			1
80 7430	BLANK	TM5407G001	F0228			1
80 7450	PLUG	9789271500	F0228		5340143001875	1
80 7460	PLUG	9789221500	F0228		5340142137579	1
80 7470	PROTECTOR	TM0206G004	F0228			1
80 7480	U14 PLUG	9560111120	F0228		5340121545430	1
80 7490	BLANK	TM1034G001	F0228		5342145316246	1
80 7500	U9 PLUG	9789400090	F0228		5340143478641	1
80 7510	AIR INTAKE BLANK	8816701000	F0228		5340144334970	1
80 7520	BLANK	8816680000	F0228			1
80 7530	AIR BLEED VALVE BLANK	TM0772G001	F0228		5340145558335	1
80 7540	U28 PLUG	9560118180	F0228		5340121587594	1
80 7550	U30 PLUG	9789400300	F0228		5340121587595	1
80 7610	BLANK	TM5563G002	F0228			1
80 7620	U7 PLUG	9789400070	F0228		5340143478640	1
80 7630	PLUG	9560136550	F0228			1
80 7640	BLANK	8819660000	F0228			1
80 7650	BLANK	TM4375G001	F0228			1
80 7660	BLANK	TM4575G001	F0228			1
80 7670	BLANK	TM5577G001	F0228			1
80 7680	BLANK	TM0642G001	F0228			1
80 7690	JUNCTION SPOILER	8816715000	F0228		5340145221456	1
80 7700	BLANK , STARTER	8816796000	F0228		5340144334971	1
80 7710	BLANK	8819663000	F0228			1
80 7730	U11 PLUG	9560111100	F0228		5340121726621	1
80 7740	BLANK	8817102000	F0228		5340145244396	1
80 7750	BLANK, WATER WASH CONNECTION	8816389000	F0228		5342145115213	1
80 7760	BLANK	8819781000	F0228			1
80 7780	BLANK	TM4582G001	F0228			1
80 7790	BLANK	TM4590G001	F0228			1
80 7800	BLANK	TM4591G001	F0228			1
80 7810	BLANK	TM4592G001	F0228			1
80 7830	U2 PLUG	9561490180	F0228		5340121633850	1
80 7870	BLANK	9560128590	F0228		5340121875459	1
80 7890	FLANGE BLANKING DN6- DN8	8816676000	F0228		5340145048273	1
80 7890A	BLANK	8816676001	F0228			1
80 7890B	SCREW H M5-10	9560133890	F0228			2
80 7890C	SCREW H M5-16	9560155420	F0228			2
80 7890D	NUT H M5	9560133910	F0228			2
80 7900	PLUG	9561490170	F0228		5340121709986	1
80 7910	BLANK	TM5408G001	F0228			1

List by OT No.

Page 10

Dec. 30/2023

SAFRAN HELICOPTER ENGINES

ARRIEL 2 C1

MAINTENANCE TOOLS CATALOG

<i>OT No.</i>	<i>Description</i>	<i>SAFRAN HELICOPTER ENGINES P/N</i>	<i>Mfr. NATO Code</i>	<i>Manufacturer PIN</i>	<i>NATO P/N</i>	<i>Qty</i>
80 7930	TAPERED PLUG	9560159360	F0228		5340145759472	1
80 7970	BLANK	TM4473G001	F0228			1
80 7980	BLANK	TM5393G002	F0228			1
80 7990	PROTECTOR	TM4511G001	F0228			1
80 8020	U25 PLUG	9560111180	F0228			1
80 8040	BLANK,POWER SHAFT	TM8012G001	F0228			1
90 0010	VISCOMETER (THROUGH COMPARISON OF VISCOSITY)	8819252000	F0228		6630144765020	1

PAGE LEFT BLANK INTENTIONALLY

LIST OF TOOLS BY TOOL NAME

Description	OT No.	SAFRAN HELICOPTER ENGINES P/N	Mfr. NATO Code	Manufacturer PIN	Qty	Application
PLUG	80 7450	9789271500	F0228		1	Storage
PLUG	80 7460	9789221500	F0228		1	Storage
2xRS422 PCMCIA CARD	30 0310	9610090040	F0228		1	Insp. & Check
ACCELEROMETER B&K 8324	40 0140	9610017700	F0228	8324I	1	Tests
ADAPTER	40 0560	TM5596G001	F0228		1	Tests
ADAPTER	40 0570	TM5652G002	F0228		1	Tests
ADAPTER FITTING	40 0060	8818339000	F0228		1	Tests
ADAPTER HARNESS	30 0090	TM2082G001	F0228		1	Insp. & Check
ADAPTER, FITTING	40 0070	8819387000	F0228		1	Tests
ADAPTER, FITTING	40 0080	8819389000	F0228		1	Tests
ADAPTER, FITTING	40 0090	8819795000	F0228		1	Tests
ADAPTER, FITTING	40 0510	TM2421G002	F0228		1	Tests
AIR BLEED VALVE BLANK	80 7530	TM0772G001	F0228		1	Storage
AIR INTAKE BLANK	80 7510	8816701000	F0228		1	Storage
ARINC 429 CEI-710 adaptor board (CONDOR Engineering)	30 0050	9610078440	F0228		1	Insp. & Check
ARINC 429 CEI-715-22 adaptor board (CONDOR Engineering)	30 0190	9610086160	F0228		1	Insp. & Check
ARRIEL 2 FADEC B EMC101 INTERFACE SOFTWARE	30 0400	TL0336G003	F0228		1	Insp. & Check
ASSEMBLY CONE	60 7810	TM5676G001	F0228		1	Installation
ASSEMBLY CONE	60 7820	TM5677G001	F0228		1	Installation
ASSEMBLY FIXTURE	50 7340	8819681000	F0228		1	Installation
ASSEMBLY GUIDE	50 3010	TM3174G001	F0228		1	Installation
BASE	50 0010	TM0373G001	F0228		1	Installation
BLANK	30 0280	TA5124G001	F0228		1	Insp. & Check
BLANK	80 3100	TM4684G001	F0228		1	Storage
BLANK	80 3110	8816413000	F0228		1	Storage
BLANK	80 3130	9560163420	F0228		1	Storage
BLANK	80 3160	TM0853G001	F0228		1	Storage
BLANK	80 3170	TM2015G002	F0228		1	Storage
BLANK	80 3180	TM0852G001	F0228		1	Storage
BLANK	80 3190	TM2454G001	F0228		1	Storage
BLANK	80 3200	TA5123G001	F0228		1	Storage
BLANK	80 3210	8819792000	F0228		1	Storage
BLANK	80 3220	8818649000	F0228		1	Storage
BLANK	80 3230	8816547000	F0228		1	Storage
BLANK	80 7330	TM3346G001	F0228		1	Storage
BLANK	80 7430	TM5407G001	F0228		1	Storage
BLANK	80 7490	TM1034G001	F0228		1	Storage
BLANK	80 7520	8816680000	F0228		1	Storage
BLANK	80 7610	TM5563G002	F0228		1	Storage
BLANK	80 7640	8819660000	F0228		1	Storage
BLANK	80 7650	TM4375G001	F0228		1	Storage
BLANK	80 7660	TM4575G001	F0228		1	Storage
BLANK	80 7670	TM5577G001	F0228		1	Storage
BLANK	80 7680	TM0642G001	F0228		1	Storage

SAFRAN HELICOPTER ENGINES

ARRIEL 2 C1

MAINTENANCE TOOLS CATALOG

Description	OT No.	SAFRAN HELICOPTER ENGINES P/N	Mfr. NATO Code	Manufacturer PIN	Qty	Application
BLANK	80 7710	8819663000	F0228		1	Storage
BLANK	80 7740	8817102000	F0228		1	Storage
BLANK	80 7760	8819781000	F0228		1	Storage
BLANK	80 7780	TM4582G001	F0228		1	Storage
BLANK	80 7790	TM4590G001	F0228		1	Storage
BLANK	80 7800	TM4591G001	F0228		1	Storage
BLANK	80 7810	TM4592G001	F0228		1	Storage
BLANK	80 7870	9560128590	F0228		1	Storage
BLANK	80 7910	TM5408G001	F0228		1	Storage
BLANK	80 7970	TM4473G001	F0228		1	Storage
BLANK	80 7980	TM5393G002	F0228		1	Storage
BLANK , STARTER	80 7700	8816796000	F0228		1	Storage
BLANK, BLEED VALVE	80 7070	8813752000	F0228		1	Storage
BLANK, LINKING TUBE JUNCTION	80 7350	8816714000	F0228		1	Storage
BLANK, WATER WASH CONNECTION	80 7750	8816389000	F0228		1	Storage
BLANK,POWER SHAFT	80 8040	TM8012G001	F0228		1	Storage
CASTLE WRENCH	50 0020	TM0515G002	F0228		1	Installation
CENTERING PIECE- IMMOBILIZER	60 7050	8812137000	F0228		1	Removal- Installation
CHECKING TOOL	40 0610	TM2058G001	F0228		1	Tests
COLLECTOR AND MEASURING TOOL	30 0470	TM5082G001	F0228		1	Insp. & Check
COMPARATOR SUPPORT	50 7110	8813435200	F0228		1	Installation
CONNECTORS, SET, FOR THE SELF-TEST	40 0260	TM0394G002	F0228		1	Tests
CONTROL UNIT	30 0510	8816445000	F0228		1	Insp. & Check
CONTROL UNIT (OPEN/ CLOSED CONTACT)	40 0010	8815661000	F0228		1	Tests
DEOILER COVER REMOVAL TOOL	60 7420	8819952000	F0228		1	Removal- Installation
DISASSEMBLY/ ASSEMBLYTHIMBLE SET	60 0010	8818688000	F0228		1	Removal- Installation
DRAINAGE PIPE	30 0450	TM5084G002	F0228		1	Insp. & Check
DRAINAGE PIPE	30 0460	TM5158G002	F0228		1	Insp. & Check
DRIVING WRENCH	60 0140	8819959000	F0228		1	Removal- Installation
DRIVING WRENCH	60 7840	TM4975G001	F0228		1	Removal- Installation
ENGINE CONTAINER	80 3030	TM5780G001	F0228		1	Storage
ENGINE SUPPORT MOUNT	80 0030	8819114000	F0228		1	Storage
EROSION GAGE	30 7200	TM6935G001	F0228		1	Insp. & Check
EXTRACTOR	60 0040	8813521000	F0228		1	Removal- Installation
EXTRACTOR	70 0010	8818691000	F0228		1	Removal
EXTRACTOR	70 7180	8819653000	F0228		1	Removal
EXTRACTOR FOR POWER SHAFT BEARING	70 7160	8818842000	F0228		1	Removal
EXTRACTOR WITH JAWS	60 0080	8818836200	F0228		1	Removal- Installation
EXTRACTORS M5 / 080, SET OF THREE	60 7010	8810131088	F0228		1	Removal- Installation
FEELER GAUGE	50 3020	TM6348G001	F0228		1	Installation
FLANGE BLANKING DN6- DN8	80 7890	8816676000	F0228		1	Storage
FLEXIBLE PIPE	40 0440	TM1330G001	F0228		1	Tests
FLOW LIMITER ASSEMBLY	20 0020	8819505000	F0228		1	Cleaning

List by Tool name

Page 2

00-00-42

Dec. 30/2023

SAFRAN HELICOPTER ENGINES

ARRIEL 2 C1

MAINTENANCE TOOLS CATALOG

Description	OT No.	SAFRAN HELICOPTER ENGINES P/N	Mfr. NATO Code	Manufacturer PIN	Qty	Application
GAGE FOR IGNITER PLUGS POSITIONING	50 7800	8812331000	F0228		1	Installation
GAS GENERATOR SUPPORT PLATE	60 0020	8813418000	F0228		1	Removal- Installation
GEAR CLAMPING TOOL	60 7330	8818837000	F0228		1	Removal- Installation
GENERATING TOOL, HYDRAULIC PRESSURE GUIDE	40 0280	TM0807G001	F0228		1	Tests
GUIDE, BORESCOPIC	50 7680	TM1775G001	F0228		1	Installation
GUIDING STUDS, SET OF 4	30 0040	8819571000	F0228		1	Insp. & Check
HANDLING DEVICE	60 7100	8813071000	F0228		1	Removal- Installation
HARNESS	80 7260	TM4334G003	F0228		1	Storage
HARNESS	30 0080	TM0902G001	F0228		1	Insp. & Check
HARNESS	30 0290	TM0568G002	F0228		1	Insp. & Check
HARNESS	40 0100	8819796000	F0228		1	Tests
HARNESS	40 0250	TM0393G003	F0228		1	Tests
HARNESS	40 0400	TM4899G001	F0228		1	Tests
HARNESS	40 0520	TM0429G001	F0228		1	Tests
HARNESS TEST BOX	40 0350	TM4890G002	F0228		1	Tests
HEATING CLAMP EQUIPED	40 0550	TM5040G001	F0228		1	Tests
HELICOPTER POWER SUPPLY CABLE (SMA2.03.10)	40 0150	9610064500	FA1B4	SMA2-03-10	1	Tests
HOISTING BEAM	60 7580	8818841000	F0228		1	Removal- Installation
HOISTING BEAM, TILTING	80 7250	8813368000	F0228		1	Storage
HYDRAULIC UNIT	60 7590	TM0588G001	F0228		1	Removal- Installation
IMMOBILIZER END-FITTING	50 7700	TM2012G001	F0228		1	Installation
IMPERVIOUS SUPPORT	40 0540	TA5150G001	F0228		1	Tests
INSTALLATION TOOL	50 7250	8818171000	F0228		1	Installation
INSTALLATION TOOL	60 0160	TM1991G001	F0228		1	Removal- Installation
JET UNION	40 0300	TM1743G002	F0228		1	Tests
JUNCTION SPOILER	80 7690	8816715000	F0228		1	Storage
LINKING TOOL	60 7250	8818828000	F0228		1	Removal- Installation
LOOSENING/TIGHTENING TOOL	60 7380	8819527000	F0228		1	Removal- Installation
ASSEMBLY FOR INLET CONE						
MAGNETIC SEAL INSTALLATION/REMOVAL TOOL	60 7660	TM0357G004	F0228		1	Removal- Installation
MAGNETIC SEAL REMOVAL/INSTALLATION TOOL	60 7110	TM4735G001	F0228		1	Removal- Installation
MASS	40 0640	TM6940G001	F0228		1	Tests
MEASURING TOOL	50 7980	8819772000	F0228		1	Installation
MEASURING TOOL	50 8100	TM1123G001	F0228		1	Installation
METALLIC CONTAINER	80 3020	8819212000	F0228		1	Storage
MODULE 05 C2R PACKAGING	80 7060	8813054000	F0228		1	Storage
MONITORING HARNESS	40 0030	8816949000	F0228		1	Tests
MOUNTING CONE	60 7830	TM6143G001	F0228		1	Removal
MOUNTING GUIDE	50 0030	TM6338G001	F0228		1	Installation
OIL PRESSURE INLET	30 0240	TM3199G002	F0228		1	Insp. & Check

List by Tool name

Page 3

Dec. 30/2023

SAFRAN HELICOPTER ENGINES

ARRIEL 2 C1

MAINTENANCE TOOLS CATALOG

Description	OT No.	SAFRAN HELICOPTER ENGINES P/N	Mfr. NATO Code	Manufacturer PIN	Qty	Application
PERMEABILITY MEASURING TOOL, ASSEMBLY	30 0020	8816968000	F0228		1	Insp. & Check
PLUG	80 7370	9561490100	F0228		1	Storage
PLUG	80 7380	9789141500	F0228		1	Storage
PLUG	80 7630	9560136550	F0228		1	Storage
PLUG	80 7900	9561490170	F0228		1	Storage
POLYBOX BC V2	30 0410	TM6518G003	F0228		1	Insp. & Check
POLYBOX DOUBLE CHANNEL HARNESS	30 0420	TM6947G001	F0228		1	Insp. & Check
POSITIONING FIXTURE	50 7640	TM0856G001	F0228		1	Installation
POWER SUPPLY HARNESS	40 0040	8817367000	F0228		1	Tests
PRESSURE GAGE, POCKET, ASSEMBLY	40 0290	TM1609G001	F0228		1	Tests
PROTECTION TUBE HOLDING TOOL	60 0060	8815010000	F0228		1	Removal- Installation
PROTECTOR	80 7170	TM8013G001	F0228		1	Storage
PROTECTOR	80 7470	TM0206G004	F0228		1	Storage
PROTECTOR	80 7990	TM4511G001	F0228		1	Storage
REAR BEARING, BEARING INNER RING, EXTRACTOR	70 7140	8818804000	F0228		1	Removal
REAR BEARING, BEARING INNER RING, INSTALLATION TOOL	50 7320	8818825000	F0228		1	Installation
RS422 PCMCIA CARD	30 0320	9610084550	F0228		1	Insp. & Check
SEAL EXTRACTOR	70 3010	TM3261G001	F0228		1	Removal
SEAL PLUG	30 0270	TM1494G001	F0228		1	Insp. & Check
SEALING RING REMOVAL-INSTALLATION TOOL	60 7130	8813824000	F0228		1	Removal- Installation
SEGMENT BONDING TOOL	50 7400	8819987000	F0228		1	Installation
SEGMENT HOLDING TOOL	50 7370	8819774000	F0228		1	Installation
SEGMENT HOLDING TOOL	60 7430	8819958000	F0228		1	Removal- Installation
SEGMENT INSTALLATION TOOL	50 7630	TM0790G001	F0228		1	Installation
SEMIA SYNTHAM 2000.4 + PC	40 0180	TM0104G012	F0228		1	Tests
SENSOR SUPPORT	30 0060	TM0318G001	F0228		1	Insp. & Check
SET OF 3 EXTRACTORS	60 3040	8810600104	F0228		1	Disassembly
SET OF 3 GUIDES	50 9550	TM1689G002	F0228		1	Assembly
SHELL ASSEMBLY	50 9560	TM8198G001	F0228		1	Assembly
SHELL ASSEMBLY	50 9570	TM8199G001	F0228		1	Assembly
SHIPMENT CONTAINER	80 3010	8242000000	F0228		1	Storage
SHIPMENT CONTAINER	80 3040	8242000160	F0228		1	Storage
SHIPMENT CONTAINER	80 3050	8242001010	F0228		1	Storage
SHIPMENT CONTAINER	80 3060	8242000190	F0228		1	Storage
SHIPMENT CONTAINER	80 3070	8242000210	F0228		1	Storage
SHIPMENT CONTAINER	80 3080	8242000220	F0228		1	Storage
SHIPMENT CONTAINER	80 3090	8242000230	F0228		1	Storage
SPECIAL WRENCH	60 7530	TM1463G001	F0228		1	Removal- Installation
STRIPBOARD CUTTER	30 0170	9610019070	F0228		1	Insp. & Check

List by Tool name

Page 4

00-00-42

Dec. 30/2023

SAFRAN HELICOPTER ENGINES

ARRIEL 2 C1

MAINTENANCE TOOLS CATALOG

Description	OT No.	SAFRAN HELICOPTER ENGINES P/N	Mfr. NATO Code	Manufacturer PIN	Qty	Application
SUPPORT	30 0430	TM5878G001	F0228		1	Insp. & Check
SUPPORT	40 0450	TM5076G002	F0228		1	Tests
SUPPORT TOOL	30 0480	TM5083G001	F0228		1	Insp. & Check
SUPPORT, MODULAR ASSEMBLY	80 0060	TM0038G003	F0228		1	Storage
TANK	30 0440	TA5147G401	F0228		1	Insp. & Check
TANK, PRESSURE GENERATOR	20 0010	TM0188G002	F0228		1	Cleaning
TAPERED PLUG	80 7930	9560159360	F0228		1	Storage
TEST SET ASSEMBLY, HARNESSES	40 0110	8819925000	F0228		1	Tests
TOOL FOR INSTALLATION OF THE GEAR/BEARING	50 7090	8812136000	F0228		1	Installation
TOOL FOR LEAKAGE TEST	40 0270	TM2230G001	F0228		1	Tests
TRIPOD (GAS GENERATOR SUPPORT)	70 7070	8813150000	F0228		1	Removal
TUBE, DRAIN	80 0070	TM1257G001	F0228		1	Storage
TUBE, DRAIN	80 0080	TM1780G001	F0228		1	Storage
TUBE, DRAIN	80 0090	TM1781G002	F0228		1	Storage
TUBE, DRAIN	80 7040	8812187000	F0228		1	Storage
TUBE, OIL PRESSURE TAPPING	30 0010	8816540000	F0228		1	Insp. & Check
U11 PLUG	80 7730	9560111100	F0228		1	Storage
U14 PLUG	80 7480	9560111120	F0228		1	Storage
U2 PLUG	80 7830	9561490180	F0228		1	Storage
U20 PLUG	80 3140	9560111150	F0228		1	Storage
U25 PLUG	80 8020	9560111180	F0228		1	Storage
U28 PLUG	80 7540	9560118180	F0228		1	Storage
U29 PLUG	80 7390	9789400290	F0228		1	Storage
U30 PLUG	80 7550	9789400300	F0228		1	Storage
U7 PLUG	80 7620	9789400070	F0228		1	Storage
U8 PLUG	80 7360	9560111080	F0228		1	Storage
U9 PLUG	80 7500	9789400090	F0228		1	Storage
UNION, BLEED VALVE	20 0030	8816517000	F0228		1	Cleaning
UNLOCK TOOL	70 3020	8810007009	F0228		1	Removal
VIBRATION CHECK KIT B&K 3656-A	40 0530	TM4865G001	F0228		1	Tests
VIBRATION MEASURING KIT	40 0020	8816694000	F0228		1	Tests
VIBRATION TEST SET ASSY	40 0160	TM1388G010	F0228		1	Tests
VISCOMETER (THROUGH COMPARISON OF VISCOSITY)	90 0010	8819252000	F0228		1	Other
WEDGE, TURBINE CASING	80 7050	8812240000	F0228		1	Storage
WRENCH	60 7220	8818805000	F0228		1	Removal- Installation
WRENCH	60 7400	8819683000	F0228		1	Removal- Installation
WRENCH AND IMMOBILIZATION TOOL	60 7160	8816082000	F0228		1	Removal- Installation
WRENCH AND IMMOBILIZATION TOOL	60 7670	8819570000	F0228		1	Removal- Installation
WRENCH SET	60 3020	TM2776G001	F0228		1	Installation

List by Tool name

Page 5

Dec. 30/2023

PAGE LEFT BLANK INTENTIONALLY

LIST OF TOOLS BY APPLICATION

<i>Application</i>	<i>OT No.</i>	<i>Description</i>	<i>SAFRAN HELICOPTER ENGINES P/N</i>
Assembly	50 9550	SET OF 3 GUIDES	TM1689G002
Assembly	50 9560	SHELL ASSEMBLY	TM8198G001
Assembly	50 9570	SHELL ASSEMBLY	TM8199G001
Cleaning	20 0010	TANK, PRESSURE GENERATOR	TM0188G002
Cleaning	20 0020	FLOW LIMITER ASSEMBLY	8819505000
Cleaning	20 0030	UNION, BLEED VALVE	8816517000
Disassembly	60 3040	SET OF 3 EXTRACTORS	8810600104
Insp. & Check	30 0010	TUBE, OIL PRESSURE TAPPING	8816540000
Insp. & Check	30 0020	PERMEABILITY MEASURING TOOL, ASSEMBLY	8816968000
Insp. & Check	30 0040	GUIDE, BORESCOPIC	8819571000
Insp. & Check	30 0050	ARINC 429 CEI-710 adaptor board (CONDOR Engineering)	9610078440
Insp. & Check	30 0060	SENSOR SUPPORT	TM0318G001
Insp. & Check	30 0080	HARNES	TM0902G001
Insp. & Check	30 0090	ADAPTER HARNES	TM2082G001
Insp. & Check	30 0170	STRIPBOARD CUTTER	9610019070
Insp. & Check	30 0190	ARINC 429 CEI-715-22 adaptor board (CONDOR Engineering)	9610086160
Insp. & Check	30 0240	OIL PRESSURE INLET	TM3199G002
Insp. & Check	30 0270	SEAL PLUG	TM1494G001
Insp. & Check	30 0280	BLANK	TA5124G001
Insp. & Check	30 0290	HARNES	TM0568G002
Insp. & Check	30 0310	2xRS422 PCMCIA CARD	9610090040
Insp. & Check	30 0320	RS422 PCMCIA CARD	9610084550
Insp. & Check	30 0400	ARRIEL 2 FADEC B EMC101 INTERFACE SOFTWARE	TL0336G003
Insp. & Check	30 0410	POLYBOX BC V2	TM6518G003
Insp. & Check	30 0420	POLYBOX DOUBLE CHANNEL HARNES	TM6947G001
Insp. & Check	30 0430	SUPPORT	TM5878G001
Insp. & Check	30 0440	TANK	TA5147G401
Insp. & Check	30 0450	DRAINAGE PIPE	TM5084G002
Insp. & Check	30 0460	DRAINAGE PIPE	TM5158G002
Insp. & Check	30 0470	COLLECTOR AND MEASURING TOOL	TM5082G001
Insp. & Check	30 0480	SUPPORT TOOL	TM5083G001
Insp. & Check	30 0510	CONTROL UNIT	8816445000
Insp. & Check	30 7200	EROSION GAGE	TM6935G001
Installation	50 0010	BASE	TM0373G001
Installation	50 0020	CASTLE WRENCH	TM0515G002
Installation	50 0030	MOUNTING GUIDE	TM6338G001
Installation	50 3010	ASSEMBLY GUIDE	TM3174G001
Installation	50 3020	FEELER GAUGE	TM6348G001
Installation	50 7090	TOOL FOR INSTALLATION OF THE GEAR/BEARING	8812136000
Installation	50 7110	COMPARATOR SUPPORT	8813435200
Installation	50 7250	INSTALLATION TOOL	8818171000
Installation	50 7320	REAR BEARING, BEARING INNER RING, INSTALLATION TOOL	8818825000
Installation	50 7340	ASSEMBLY FIXTURE	8819681000
Installation	50 7370	SEGMENT HOLDING TOOL	8819774000
Installation	50 7400	SEGMENT BONDING TOOL	8819987000
Installation	50 7630	SEGMENT INSTALLATION TOOL	TM0790G001
Installation	50 7640	POSITIONING FIXTURE	TM0856G001
Installation	50 7680	GUIDE	TM1775G001

SAFRAN HELICOPTER ENGINES

ARRIEL 2 C1

MAINTENANCE TOOLS CATALOG

<i>Application</i>	<i>OT No.</i>	<i>Description</i>	<i>SAFRAN HELICOPTER ENGINES P/N</i>
Installation	50 7700	IMMOBILIZER END-FITTING	TM2012G001
Installation	50 7800	GAGE FOR IGNITER PLUGS POSITIONING	8812331000
Installation	50 7980	MEASURING TOOL	8819772000
Installation	50 8100	MEASURING TOOL	TM1123G001
Installation	60 0010	DISASSEMBLY/ASSEMBLYTHIMBLE SET	8818688000
Installation	60 0020	GAS GENERATOR SUPPORT PLATE	8813418000
Installation	60 0040	EXTRACTOR	8813521000
Installation	60 0060	PROTECTION TUBE HOLDING TOOL	8815010000
Installation	60 0080	EXTRACTOR WITH JAWS	8818836200
Installation	60 0140	DRIVING WRENCH	8819959000
Installation	60 0160	INSTALLATION TOOL	TM1991G001
Installation	60 3020	WRENCH SET	TM2776G001
Installation	60 7010	EXTRACTORS M5 / 080, SET OF THREE	8810131088
Installation	60 7050	CENTERING PIECE-IMMOBILIZER	8812137000
Installation	60 7100	GUIDING STUDS, SET OF 4	8813071000
Installation	60 7110	MAGNETIC SEAL REMOVAL/INSTALLATION TOOL	TM4735G001
Installation	60 7130	SEALING RING REMOVAL-INSTALLATION TOOL	8813824000
Installation	60 7160	WRENCH AND IMMOBILIZATION TOOL	8816082000
Installation	60 7220	WRENCH	8818805000
Installation	60 7250	LINKING TOOL	8818828000
Installation	60 7330	GEAR CLAMPING TOOL	8818837000
Installation	60 7380	LOOSENING/TIGHTENING TOOL ASSEMBLY FOR INLET CONE	8819527000
Installation	60 7400	WRENCH	8819683000
Installation	60 7420	DEOILER COVER REMOVAL TOOL	8819952000
Installation	60 7430	SEGMENT HOLDING TOOL	8819958000
Installation	60 7530	SPECIAL WRENCH	TM1463G001
Installation	60 7580	HOISTING BEAM	8818841000
Installation	60 7590	HYDRAULIC UNIT	TM0588G001
Installation	60 7660	MAGNETIC SEAL INSTALLATION/REMOVAL TOOL	TM0357G004
Installation	60 7670	WRENCH AND IMMOBILIZATION TOOL	8819570000
Installation	60 7810	ASSEMBLY CONE	TM5676G001
Installation	60 7820	ASSEMBLY CONE	TM5677G001
Installation	60 7840	DRIVING WRENCH	TM4975G001
Other	90 0010	VISCOMETER (THROUGH COMPARISON OF VISCOSITY)	8819252000
Removal	60 0010	DISASSEMBLY/ASSEMBLYTHIMBLE SET	8818688000
Removal	60 0020	GAS GENERATOR SUPPORT PLATE	8813418000
Removal	60 0040	EXTRACTOR	8813521000
Removal	60 0060	PROTECTION TUBE HOLDING TOOL	8815010000
Removal	60 0080	EXTRACTOR WITH JAWS	8818836200
Removal	60 0140	DRIVING WRENCH	8819959000
Removal	60 0160	INSTALLATION TOOL	TM1991G001
Removal	60 7010	EXTRACTORS M5 / 080, SET OF THREE	8810131088
Removal	60 7050	CENTERING PIECE-IMMOBILIZER	8812137000
Removal	60 7100	GUIDING STUDS, SET OF 4	8813071000
Removal	60 7110	MAGNETIC SEAL REMOVAL/INSTALLATION TOOL	TM4735G001
Removal	60 7130	SEALING RING REMOVAL-INSTALLATION TOOL	8813824000
Removal	60 7160	WRENCH AND IMMOBILIZATION TOOL	8816082000
Removal	60 7220	WRENCH	8818805000
Removal	60 7250	LINKING TOOL	8818828000
Removal	60 7330	GEAR CLAMPING TOOL	8818837000
Removal	60 7380	LOOSENING/TIGHTENING TOOL ASSEMBLY FOR INLET CONE	8819527000
Removal	60 7400	WRENCH	8819683000
Removal	60 7420	DEOILER COVER REMOVAL TOOL	8819952000

List by Application

Page 2

Dec. 30/2023

SAFRAN HELICOPTER ENGINES

ARRIEL 2 C1

MAINTENANCE TOOLS CATALOG

<i>Application</i>	<i>OT No.</i>	<i>Description</i>	<i>SAFRAN HELICOPTER ENGINES P/N</i>
Removal	60 7430	SEGMENT HOLDING TOOL	8819958000
Removal	60 7530	SPECIAL WRENCH	TM1463G001
Removal	60 7580	HOISTING BEAM	8818841000
Removal	60 7590	HYDRAULIC UNIT	TM0588G001
Removal	60 7660	MAGNETIC SEAL INSTALLATION/REMOVAL TOOL	TM0357G004
Removal	60 7670	WRENCH AND IMMOBILIZATION TOOL	8819570000
Removal	60 7830	MOUNTING CONE	TM6143G001
Removal	60 7840	DRIVING WRENCH	TM4975G001
Removal	70 0010	EXTRACTOR	8818691000
Removal	70 3010	SEAL EXTRACTOR	TM3261G001
Removal	70 3020	UNLOCK TOOL	8810007009
Removal	70 7070	TRIPOD (GAS GENERATOR SUPPORT)	8813150000
Removal	70 7140	REAR BEARING, BEARING INNER RING, EXTRACTOR	8818804000
Removal	70 7160	EXTRACTOR FOR POWER SHAFT BEARING	8818842000
Removal	70 7180	EXTRACTOR	8819653000
Storage	80 0030	ENGINE SUPPORT MOUNT	8819114000
Storage	80 0060	SUPPORT, MODULAR ASSEMBLY	TM0038G003
Storage	80 0070	TUBE, DRAIN	TM1257G001
Storage	80 0080	TUBE, DRAIN	TM1780G001
Storage	80 0090	TUBE, DRAIN	TM1781G002
Storage	80 3010	SHIPMENT CONTAINER	8242000000
Storage	80 3020	METALLIC CONTAINER	8819212000
Storage	80 3030	ENGINE CONTAINER	TM5780G001
Storage	80 3040	SHIPMENT CONTAINER	8242000160
Storage	80 3050	SHIPMENT CONTAINER	8242001010
Storage	80 3060	SHIPMENT CONTAINER	8242000190
Storage	80 3070	SHIPMENT CONTAINER	8242000210
Storage	80 3080	SHIPMENT CONTAINER	8242000220
Storage	80 3090	SHIPMENT CONTAINER	8242000230
Storage	80 3100	BLANK	TM4684G001
Storage	80 3110	BLANK	8816413000
Storage	80 3130	BLANK	9560163420
Storage	80 3140	U20 PLUG	9560111150
Storage	80 3160	BLANK	TM0853G001
Storage	80 3170	BLANK	TM2015G002
Storage	80 3180	BLANK	TM0852G001
Storage	80 3190	BLANK	TM2454G001
Storage	80 3200	BLANK	TA5123G001
Storage	80 3210	BLANK	8819792000
Storage	80 3220	BLANK	8818649000
Storage	80 3230	BLANK	8816547000
Storage	80 7040	TUBE, DRAIN	8812187000
Storage	80 7050	WEDGE, TURBINE CASING	8812240000
Storage	80 7060	MODULE 05 C2R PACKAGING	8813054000
Storage	80 7070	BLANK, BLEED VALVE	8813752000
Storage	80 7170	PROTECTOR	TM8013G001
Storage	80 7250	HOISTING BEAM, TILTING	8813368000
Storage	80 7260	HANDLING DEVICE	TM4334G003
Storage	80 7330	BLANK	TM3346G001
Storage	80 7350	BLANK, LINKING TUBE JUNCTION	8816714000
Storage	80 7360	U8 PLUG	9560111080
Storage	80 7370	PLUG	9561490100
Storage	80 7380	PLUG	9789141500
Storage	80 7390	U29 PLUG	9789400290
Storage	80 7430	BLANK	TM5407G001
Storage	80 7450	PLUG	9789271500

List by Application

Page 3

00-00-43

Dec. 30/2023

SAFRAN HELICOPTER ENGINES

ARRIEL 2 C1

MAINTENANCE TOOLS CATALOG

<i>Application</i>	<i>OT No.</i>	<i>Description</i>	<i>SAFRAN HELICOPTER ENGINES P/N</i>
Storage	80 7460	PLUG	9789221500
Storage	80 7470	PROTECTOR	TM0206G004
Storage	80 7480	U14 PLUG	9560111120
Storage	80 7490	BLANK	TM1034G001
Storage	80 7500	U9 PLUG	9789400090
Storage	80 7510	AIR INTAKE BLANK	8816701000
Storage	80 7520	BLANK	8816680000
Storage	80 7530	AIR BLEED VALVE BLANK	TM0772G001
Storage	80 7540	U28 PLUG	9560118180
Storage	80 7550	U30 PLUG	9789400300
Storage	80 7610	BLANK	TM5563G002
Storage	80 7620	U7 PLUG	9789400070
Storage	80 7630	PLUG	9560136550
Storage	80 7640	BLANK	8819660000
Storage	80 7650	BLANK	TM4375G001
Storage	80 7660	BLANK	TM4575G001
Storage	80 7670	BLANK	TM5577G001
Storage	80 7680	BLANK	TM0642G001
Storage	80 7690	JUNCTION SPOILER	8816715000
Storage	80 7700	BLANK , STARTER	8816796000
Storage	80 7710	BLANK	8819663000
Storage	80 7730	U11 PLUG	9560111100
Storage	80 7740	BLANK	8817102000
Storage	80 7750	BLANK, WATER WASH CONNECTION	8816389000
Storage	80 7760	BLANK	8819781000
Storage	80 7780	BLANK	TM4582G001
Storage	80 7790	BLANK	TM4590G001
Storage	80 7800	BLANK	TM4591G001
Storage	80 7810	BLANK	TM4592G001
Storage	80 7830	U2 PLUG	9561490180
Storage	80 7870	BLANK	9560128590
Storage	80 7890	FLANGE BLANKING DN6-DN8	8816676000
Storage	80 7900	PLUG	9561490170
Storage	80 7910	BLANK	TM5408G001
Storage	80 7930	TAPERED PLUG	9560159360
Storage	80 7970	BLANK	TM4473G001
Storage	80 7980	BLANK	TM5393G002
Storage	80 7990	PROTECTOR	TM4511G001
Storage	80 8020	U25 PLUG	9560111180
Storage	80 8040	BLANK,POWER SHAFT	TM8012G001
Tests	40 0010	CONTROL UNIT (OPEN/CLOSED CONTACT)	8815661000
Tests	40 0020	VIBRATION MEASURING KIT	8816694000
Tests	40 0030	MONITORING HARNESS	8816949000
Tests	40 0040	POWER SUPPLY HARNESS	8817367000
Tests	40 0060	ADAPTER FITTING	8818339000
Tests	40 0070	ADAPTER, FITTING	8819387000
Tests	40 0080	ADAPTER, FITTING	8819389000
Tests	40 0090	ADAPTER, FITTING	8819795000
Tests	40 0100	HARNESS	8819796000
Tests	40 0110	TEST SET ASSEMBLY, HARNESSES	8819925000
Tests	40 0140	ACCELEROMETER B&K 8324	9610017700
Tests	40 0150	HELICOPTER POWER SUPPLY CABLE (SMA2.03.10)	9610064500
Tests	40 0160	VIBRATION TEST SET ASSY	TM1388G010
Tests	40 0180	SEMIA SYNTHAM 2000.4 + PC	TM0104G012
Tests	40 0250	HARNESS	TM0393G003
Tests	40 0260	CONNECTORS, SET, FOR THE SELF-TEST	TM0394G002

List by Application

Page 4

00-00-43

Dec. 30/2023

<i>Application</i>	<i>OT No.</i>	<i>Description</i>	<i>SAFRAN HELICOPTER ENGINES P/N</i>
Tests	40 0270	TOOL FOR LEAKAGE TEST	TM2230G001
Tests	40 0280	GENERATING TOOL, HYDRAULIC PRESSURE	TM0807G001
Tests	40 0290	PRESSURE GAGE, POCKET, ASSEMBLY	TM1609G001
Tests	40 0300	JET UNION	TM1743G002
Tests	40 0350	HARNESS TEST BOX	TM4890G002
Tests	40 0400	HARNESS	TM4899G001
Tests	40 0440	FLEXIBLE PIPE	TM1330G001
Tests	40 0450	SUPPORT	TM5076G002
Tests	40 0510	ADAPTER, FITTING	TM2421G002
Tests	40 0520	HARNESS	TM0429G001
Tests	40 0530	VIBRATION CHECK KIT B&K 3656-A	TM4865G001
Tests	40 0540	IMPERVIOUS SUPPORT	TA5150G001
Tests	40 0550	HEATING CLAMP EQUIPED	TM5040G001
Tests	40 0560	ADAPTER	TM5596G001
Tests	40 0570	ADAPTER	TM5652G002
Tests	40 0610	CHECKING TOOL	TM2058G001
Tests	40 0640	MASS	TM6940G001

PAGE LEFT BLANK INTENTIONALLY

LIST OF CALIBRATION / INSPECTION REQUIREMENT BY OT NUMBER

<i>OT No.</i>	<i>Description</i>	<i>Periodicity value of calibration / inspection requirement</i>	<i>Responsability</i>	<i>Functional criteria check</i>
30 7200	EROSION GAGE	36	Customer/Subsidiary	N/A
40 0020	VIBRATION MEASURING KIT	12	Customer/Subsidiary	N/A
40 0140	ACCELEROMETER B&K 8324	12	Customer/Subsidiary	N/A
40 0160	VIBRATION TEST SET ASSY	12	Customer/Subsidiary	N/A
40 0180	SEMIA SYNTHAM 2000.4 + PC	12	Customer/Subsidiary	N/A
40 0290	PRESSURE GAGE, POCKET, ASSEMBLY	12	Customer/Subsidiary	N/A
40 0530	VIBRATION CHECK KIT B&K 3656-A	12	Customer/Subsidiary	N/A
40 0610	CHECKING TOOL	36	Customer/Subsidiary	N/A
50 7800	GAGE FOR IGNITER PLUGS POSITIONING	60	Customer/Subsidiary	N/A
50 7980	MEASURING TOOL	60	Customer/Subsidiary	N/A
50 8100	MEASURING TOOL	60	Customer/Subsidiary	N/A
60 7590	HYDRAULIC UNIT	12	Customer/Subsidiary	N/A
80 7250	HOISTING BEAM, TILTING	12	Customer/Subsidiary	N/A
80 7260	HANDLING DEVICE	12	Customer/Subsidiary	N/A

PAGE LEFT BLANK INTENTIONALLY

ARRIEL 2 C1

LIST OF SAFRAN HELICOPTER ENGINES PART NUMBER RELATIONSHIPS

SAFRAN HELICOPTER ENGINES P/N	Is superseded by the SAFRAN HELICOPTER ENGINES P/N	Alternate P/N	Supersedes the SAFRAN HELICOPTER ENGINES P/N
8242000000			
8242000160			
8242000190			
8242000210			
8242000220			
8242000230			
8242001010			
8810007009			
8810131088			
8810600104			
8812136000			
8812137000			
8812187000			
8812240000			
8812331000			
8813054000			
8813071000			
8813150000			
8813181000 and TM0038G002	TM0038G003		
8813368000			
8813418000			
8813435200			
8813521000			
8813752000			
8813779000	TM5563G002		
8813824000			
8814657000	8816540000		
8814785000	8819252000		
8815010000			
8815661000			
8816082000		8819570000	
8816082000	8819570000		
8816389000			
8816413000			
8816445000			
8816517000			
8816540000			8814657000
8816547000			
8816676000			
8816680000			
8816694000			
8816701000			
8816714000			
8816715000			
8816796000			

SAFRAN HELICOPTER ENGINES

ARRIEL 2 C1

MAINTENANCE TOOLS CATALOG

SAFRAN HELICOPTER ENGINES P/N	<i>Is superseded by the SAFRAN HELICOPTER ENGINES P/N</i>	<i>Alternate P/N</i>	<i>Supersedes the SAFRAN HELICOPTER ENGINES P/N</i>
8816949000			
8816968000			
8817027000	TM3199G002		
8817102000			
8817367000			
8817631000	8818805000		
8818171000			
8818339000			
8818457000	TM1609G001		
8818649000			
8818688000			
8818691000			
8818693004	TM0373G001		
8818697000	8819959000		
8818804000			
8818805000		TM4301G001	8817631000
8818825000			
8818828000			
8818836200			
8818837000			
8818841000		TM4417G002	
8818842000			
8819114000			
8819212000			
8819252000			8814785000
8819387000			
8819389000			
8819505000			
8819527000			
8819570000		8816082000	8816082000
8819571000			
8819653000			
8819660000			
8819663000			
8819670000	8819987000		
8819681000			
8819683000			
8819772000			
8819774000			
8819781000			
8819792000			
8819795000			
8819796000			
8819925000		TM4890G002	
8819952000			
8819958000			
8819959000			8818697000
8819987000			8819670000
9560111080			
9560111100			

List of Safran Helicopter Engines Part Number relationships

SAFRAN HELICOPTER ENGINES

ARRIEL 2 C1

MAINTENANCE TOOLS CATALOG

SAFRAN HELICOPTER ENGINES P/N	Is superseded by the SAFRAN HELICOPTER ENGINES P/N	Alternate P/N	Supersedes the SAFRAN HELICOPTER ENGINES P/N
9560111120			
9560111150			
9560111180			9789400260
9560118180			
9560128590			
9560136550			
9560159360			
9560163420			
9561490100			
9561490170			
9561490180			
9610017700			
9610019070			
9610064500			
9610078440			
9610084550			
9610086160			
9610090040			
9789141500			
9789221500			
9789271500			
9789400070			
9789400090			
9789400260	9560111180		
9789400290			
9789400300			
TA5123G001			
TA5124G001		9945300060	
TA5147G401			
TA5150G001			
TL0336G003			
TM0038G003			8813181000 and TM0038G002
TM0104G012		TM0104G010 or TM0104G011	
TM0188G001	TM0188G002		
TM0188G002		8814157000 8816183000 TM2814G001	TM0188G001
TM0206G004			
TM0318G001			
TM0357G003	TM0357G004		
TM0357G004			TM0357G003 8818693004
TM0373G001			
TM0393G002	TM0393G003		
TM0393G003		TM4899G001	TM0393G002
TM0394G001	TM0394G002		
TM0394G002			TM0394G001
TM0429G001			
TM0515G001	TM0515G002		
TM0515G002			TM0515G001
TM0568G002			

List of Safran Helicopter Engines Part Number relationships

SAFRAN HELICOPTER ENGINES

ARRIEL 2 C1

MAINTENANCE TOOLS CATALOG

SAFRAN HELICOPTER ENGINES P/N	<i>Is superseded by the SAFRAN HELICOPTER ENGINES P/N</i>	<i>Alternate P/N</i>	<i>Supersedes the SAFRAN HELICOPTER ENGINES P/N</i>
TM0588G001		8819712000 or 8813996000	TM5657G001
TM0642G001			
TM0772G001			
TM0790G001			
TM0807G001		8818870000	
TM0852G001			
TM0853G001			
TM0856G001			
TM0902G001		TM0568G002	
TM1034G001			
TM1123G001			
TM1257G001			
TM1330G001			
TM1388G010			
TM1463G001			
TM1494G001			
TM1609G001		TM1609G002 or 8818457000 or TM0831G001	8818457000
TM1689G002			
TM1743G001	TM1743G002		
TM1743G002			TM1743G001
TM1775G001			
TM1780G001			
TM1781G001	TM1781G002		
TM1781G002			TM1781G001
TM1991G001			
TM2012G001			
TM2015G002			
TM2058G001			
TM2082G001			
TM2230G001			
TM2421G002			
TM2454G001			
TM2776G001			
TM3174G001			
TM3199G002			8817027000
TM3261G001			
TM3346G001			
TM4334G003		8819974000 or TM4334G002 or TM6721G001	
TM4375G001			
TM4473G001			
TM4511G001			
TM4575G001			
TM4582G001			
TM4587G001	TM5577G001		
TM4590G001			
TM4591G001			

List of Safran Helicopter Engines Part Number relationships

00-00-45

Page 4
Dec. 30/2023

SAFRAN HELICOPTER ENGINES

ARRIEL 2 C1

MAINTENANCE TOOLS CATALOG

SAFRAN HELICOPTER ENGINES P/N	<i>Is superseded by the SAFRAN HELICOPTER ENGINES P/N</i>	<i>Alternate P/N</i>	<i>Supersedes the SAFRAN HELICOPTER ENGINES P/N</i>
TM4592G001			
TM4684G001			
TM4735G001		8813734000	
TM4865G001			
TM4890G002		8819925000	
TM4899G001		TM0393G003	
TM4975G001			
TM5040G001			
TM5076G002			
TM5082G001			
TM5083G001			
TM5084G002			
TM5158G002			
TM5393G002			
TM5407G001			
TM5408G001			
TM5563G002			8813779000
TM5577G001			TM4587G001
TM5596G001			
TM5652G001	TM5652G002		
TM5652G002			TM5652G001
TM5657G001	TM0642G001		
TM5676G001			
TM5677G001			
TM5780G001			
TM5878G001			
TM6143G001			
TM6338G001			
TM6348G001			
TM6518G003			
TM6935G001		TM0131G003	
		TM0131G004	
TM6940G001			
TM6947G001			
TM8012G001		8814283000	
TM8013G001		8819659000 (B;B1;B1A;C;CPM;C1;C2; C2CG;S1;S2)	
		TM4991G001 (D;E;N;H;L2)	
TM8198G001			
TM8199G001			

PAGE LEFT BLANK INTENTIONALLY

LIST OF EFFECTIVE PAGES

<u>OT No.</u>	<u>Description</u>	<u>Pages</u>	<u>Date</u>
OT	LIST OF EFFECTIVE PAGES	* 1 - 12	Dec. 30/2023
20 0010	TANK, PRESSURE GENERATOR	0 1	Dec. 30/2019 Dec. 30/2019
20 0020	FLOW LIMITER ASSEMBLY	0 1	Nov. 30/2009 Nov. 30/2009
20 0030	UNION, BLEED VALVE	0 1	Nov. 30/2009 Nov. 30/2009
30 0010	TUBE, OIL PRESSURE TAPPING	0 1	June 15/2019 June 15/2019
30 0020	PERMEABILITY MEASURING TOOL, ASSEMBLY	0 1	Nov. 30/2009 Nov. 30/2009
30 0040	GUIDE, BORESCOPIC	0 1	Nov. 30/2009 Nov. 30/2009
30 0050	ARINC 429 CEI-710 ADAPTOR BOARD (CONDOR ENGINEERING)	0 1	Apr. 30/2014 Apr. 30/2014
30 0060	SENSOR SUPPORT	0 1	Nov. 30/2009 Nov. 30/2009
30 0080	HARNESS	0 1	Apr. 30/2014 Apr. 30/2014
30 0090	ADAPTER HARNESS	0 1	Apr. 30/2014 Apr. 30/2014
30 0170	STRIPBOARD CUTTER	0 1	Nov. 30/2009 Nov. 30/2009
30 0190	ARINC 429 CEI-715-22 ADAPTOR BOARD (CONDOR ENGINEERING)	0 1	Apr. 30/2014 Apr. 30/2014
30 0240	OIL PRESSURE INLET	0 1	June 15/2021 June 15/2021
30 0270	SEAL PLUG	0 1	June 30/2018 June 30/2018
30 0280	BLANK	0 1	Dec. 30/2021 Dec. 30/2021

* Page modified following update No. 41

<u>OT No.</u>	<u>Description</u>	<u>Pages</u>	<u>Date</u>
30 0290	HARNESS	0 1	Apr. 30/2014 Apr. 30/2014
30 0310	2XRS422 PCMCIA CARD	0 1	June 15/2019 June 15/2019
30 0320	RS422 PCMCIA CARD	0 1	Nov. 30/2017 Nov. 30/2017
30 0400	ARRIEL 2 FADEC B EMC101 INTERFACE SOFTWARE	0 1	Nov. 30/2017 Nov. 30/2017
30 0410	POLYBOX BC V2	0 1	Nov. 30/2017 Nov. 30/2017
30 0420	POLYBOX DOUBLE CHANNEL HARNESS	0 1	Nov. 30/2017 Nov. 30/2017
30 0430	SUPPORT	0 1	June 15/2023 June 15/2023
30 0440	TANK	0 1	June 30/2018 June 30/2018
30 0450	DRAINAGE PIPE	0 1	June 30/2018 June 30/2018
30 0460	DRAINAGE PIPE	0 1	June 30/2018 June 30/2018
30 0470	COLLECTOR AND MEASURING TOOL	0 1	June 30/2018 June 30/2018
30 0480	SUPPORT TOOL	0 1	June 30/2018 June 30/2018
30 0510	CONTROL UNIT	0 1	Dec. 30/2020 Dec. 30/2020
30 7200	EROSION GAGE	0 1	Dec. 30/2019 Dec. 30/2019
40 0010	CONTROL UNIT (OPEN/CLOSED CONTACT)	0 1	June 15/2021 June 15/2021
40 0020	VIBRATION MEASURING KIT	0 1	June 30/2018 June 30/2018
40 0030	MONITORING HARNESS	0 1	June 15/2021 June 15/2021
40 0040	POWER SUPPLY HARNESS	0	Apr. 30/2014

* Page modified following update No. 41

<u>OT No.</u>	<u>Description</u>	<u>Pages</u>	<u>Date</u>
		1	Apr. 30/2014
40 0060	ADAPTER FITTING	0	Nov. 30/2009
		1	Nov. 30/2009
40 0070	ADAPTER, FITTING	0	Nov. 30/2009
		1	Nov. 30/2009
40 0080	ADAPTER, FITTING	0	Nov. 30/2009
		1	Nov. 30/2009
40 0090	ADAPTER, FITTING	0	Mar. 30/2012
		1	Mar. 30/2012
40 0100	HARNESS	0	June 15/2019
		1	June 15/2019
40 0110	TEST SET ASSEMBLY, HARNESES	0	Apr. 30/2014
		1	Apr. 30/2014
40 0140	ACCELEROMETER B&K 8324	0	June 30/2018
		1	June 30/2018
40 0150	HELICOPTER POWER SUPPLY CABLE (SMA2.03.10)	0	June 30/2018
		1	June 30/2018
40 0160	VIBRATION TEST SET ASSY	0	June 30/2018
		1	June 30/2018
40 0180	SEMIA SYNTHAM 2000.4 + PC	0	June 15/2019
		1	June 15/2019
40 0250	HARNESS	0	June 15/2019
		1	June 15/2019
40 0260	CONNECTORS, SET, FOR THE SELF-TEST	0	June 15/2019
		1	June 15/2019
40 0270	TOOL FOR LEAKAGE TEST	0	Nov. 30/2009
		1	Nov. 30/2009
40 0280	GENERATING TOOL, HYDRAULIC PRESSURE	0	June 15/2019
		1	June 15/2019
40 0290	PRESSURE GAGE, POCKET, ASSEMBLY	* 0	Dec. 30/2023
		* 1	Dec. 30/2023
40 0300	JET UNION	0	June 15/2021
		1	June 15/2021
40 0350	HARNESS TEST BOX	0	June 15/2019
		1	June 15/2019

* Page modified following update No. 41

SAFRAN HELICOPTER ENGINES

ARRIEL 2 C1

MAINTENANCE TOOLS CATALOG

<u>OT No.</u>	<u>Description</u>	<u>Pages</u>	<u>Date</u>
40 0400	HARNESS	0 1	May 30/2010 May 30/2010
40 0440	FLEXIBLE PIPE	0 1	June 15/2019 June 15/2019
40 0450	SUPPORT	0 1	June 15/2019 June 15/2019
40 0510	ADAPTER, FITTING	0 1	July 30/2012 July 30/2012
40 0520	HARNESS	0 1	Nov. 30/2011 Nov. 30/2011
40 0530	VIBRATION CHECK KIT B&K 3656-A	0 1	June 30/2018 June 30/2018
40 0540	IMPERVIOUS SUPPORT	0 1	June 15/2019 June 15/2019
40 0550	HEATING CLAMP EQUIPED	0 1	July 30/2013 July 30/2013
40 0560	ADAPTER	0 1	July 30/2013 July 30/2013
40 0570	ADAPTER	0 1	Dec. 30/2020 Dec. 30/2020
40 0610	CHECKING TOOL	0 1	June 30/2018 June 30/2018
40 0640	MASS	0 1	June 30/2018 June 30/2018
50 0010	BASE	0 1	June 15/2019 June 15/2019
50 0020	CASTLE WRENCH	0 1	June 15/2022 June 15/2022
50 0030	MOUNTING GUIDE	0 1	May 30/2017 May 30/2017
50 3010	ASSEMBLY GUIDE	0 1	May 30/2017 May 30/2017
50 3020	FEELER GAUGE	0 1	May 30/2015 May 30/2015
50 7090	TOOL FOR INSTALLATION OF THE GEAR/BEARING	0	Nov. 30/2013

* Page modified following update No. 41

List of Effective Pages

Page 4

OT

Dec. 30/2023

SAFRAN HELICOPTER ENGINES

ARRIEL 2 C1

MAINTENANCE TOOLS CATALOG

<u>OT No.</u>	<u>Description</u>	<u>Pages</u>	<u>Date</u>
		1	Nov. 30/2013
50 7110	COMPARATOR SUPPORT	0	Nov. 30/2012
		1	Nov. 30/2012
50 7250	INSTALLATION TOOL	0	Nov. 30/2009
		1	Nov. 30/2009
50 7320	REAR BEARING, BEARING INNER RING, INSTALLATION TOOL	0	Nov. 30/2009
		1	Nov. 30/2009
50 7340	ASSEMBLY FIXTURE	0	Mar. 30/2013
		1	Mar. 30/2013
50 7370	SEGMENT HOLDING TOOL	0	Nov. 30/2009
		1	Nov. 30/2009
50 7400	SEGMENT BONDING TOOL	0	Nov. 30/2011
		1	Nov. 30/2011
50 7630	SEGMENT INSTALLATION TOOL	0	July 30/2013
		1	July 30/2013
50 7640	POSITIONING FIXTURE	0	Nov. 30/2009
		1	Nov. 30/2009
50 7680	GUIDE	0	Nov. 30/2009
		1	Nov. 30/2009
50 7700	IMMOBILIZER END-FITTING	0	Nov. 30/2012
		1	Nov. 30/2012
50 7800	GAGE FOR IGNITER PLUGS POSITIONING	0	Nov. 30/2013
		1	Nov. 30/2013
50 7980	MEASURING TOOL	0	Apr. 30/2014
		1	Apr. 30/2014
50 8100	MEASURING TOOL	0	Nov. 30/2009
		1	Nov. 30/2009
50 9550	SET OF 3 GUIDES	* 0	Dec. 30/2023
		* 1	Dec. 30/2023
50 9560	SHELL ASSEMBLY	* 0	Dec. 30/2023
		* 1	Dec. 30/2023
50 9570	SHELL ASSEMBLY	* 0	Dec. 30/2023
		* 1	Dec. 30/2023
60 0010	DISASSEMBLY/ASSEMBLY THIMBLE SET	0	Nov. 30/2010
		1	Nov. 30/2010

* Page modified following update No. 41

SAFRAN HELICOPTER ENGINES

ARRIEL 2 C1

MAINTENANCE TOOLS CATALOG

<u>OT No.</u>	<u>Description</u>	<u>Pages</u>	<u>Date</u>
60 0020	GAS GENERATOR SUPPORT PLATE	0 1	May 30/2015 May 30/2015
60 0040	EXTRACTOR	0 1	Nov. 30/2013 Nov. 30/2013
60 0060	PROTECTION TUBE HOLDING TOOL	0 1	Nov. 30/2009 Nov. 30/2009
60 0080	EXTRACTOR WITH JAWS	0 1	Nov. 30/2009 Nov. 30/2009
60 0140	DRIVING WRENCH	0 1	Dec. 30/2019 Dec. 30/2019
60 0160	INSTALLATION TOOL	0 1	May 30/2015 May 30/2015
60 3020	WRENCH SET	0 1	July 30/2013 July 30/2013
60 3040	SET OF 3 EXTRACTORS	0 1	Dec. 30/2019 Dec. 30/2019
60 7010	EXTRACTORS M5 / 080, SET OF THREE	0 1	Nov. 30/2009 Nov. 30/2009
60 7050	CENTERING PIECE-IMMOBILIZER	0 1	Nov. 30/2009 Nov. 30/2009
60 7100	GUIDING STUDS, SET OF 4	0 1	June 15/2022 June 15/2022
60 7110	MAGNETIC SEAL REMOVAL/INSTALLATION TOOL	0 1	May 30/2015 May 30/2015
60 7130	SEALING RING REMOVAL-INSTALLATION TOOL	0 1	July 30/2013 July 30/2013
60 7160	WRENCH AND IMMOBILIZATION TOOL	0 1	June 15/2019 June 15/2019
60 7220	WRENCH	0 1	June 15/2019 June 15/2019
60 7250	LINKING TOOL	0 1	June 15/2019 June 15/2019
60 7330	GEAR CLAMPING TOOL	0 1	Nov. 30/2013 Nov. 30/2013
60 7380	LOOSENING/TIGHTENING TOOL ASSEMBLY FOR INLET CONE	0	Nov. 30/2016

* Page modified following update No. 41

SAFRAN HELICOPTER ENGINES

ARRIEL 2 C1

MAINTENANCE TOOLS CATALOG

<u>OT No.</u>	<u>Description</u>	<u>Pages</u>	<u>Date</u>
		1	Nov. 30/2016
60 7400	WRENCH	0 1	Nov. 30/2013 Nov. 30/2013
60 7420	DEOILER COVER REMOVAL TOOL	0 1	Nov. 30/2009 Nov. 30/2009
60 7430	SEGMENT HOLDING TOOL	0 1	Nov. 30/2009 Nov. 30/2009
60 7530	SPECIAL WRENCH	0 1	Nov. 30/2009 Nov. 30/2009
60 7580	HOISTING BEAM	0 1	Nov. 30/2009 Nov. 30/2009
60 7590	HYDRAULIC UNIT	0 1	Mar. 30/2013 Mar. 30/2013
60 7660	MAGNETIC SEAL INSTALLATION/REMOVAL TOOL	0 1	June 15/2019 June 15/2019
60 7670	WRENCH AND IMMOBILIZATION TOOL	0 1	June 15/2019 June 15/2019
60 7810	ASSEMBLY CONE	0 1	Nov. 30/2016 Nov. 30/2016
60 7820	ASSEMBLY CONE	0 1	Nov. 30/2016 Nov. 30/2016
60 7830	MOUNTING CONE	0 1	Nov. 30/2016 Nov. 30/2016
60 7840	DRIVING WRENCH	0 1	Nov. 30/2016 Nov. 30/2016
70 0010	EXTRACTOR	0 1	Nov. 30/2009 Nov. 30/2009
70 3010	SEAL EXTRACTOR	0 1	Mar. 30/2013 Mar. 30/2013
70 3020	UNLOCK TOOL	0 1	Nov. 30/2013 Nov. 30/2013
70 7070	TRIPOD (GAS GENERATOR SUPPORT)	0 1	Nov. 30/2011 Nov. 30/2011
70 7140	REAR BEARING, BEARING INNER RING, EXTRACTOR	0 1	Nov. 30/2009 Nov. 30/2009

* Page modified following update No. 41

SAFRAN HELICOPTER ENGINES

ARRIEL 2 C1

MAINTENANCE TOOLS CATALOG

<u>OT No.</u>	<u>Description</u>	<u>Pages</u>	<u>Date</u>
70 7160	EXTRACTOR FOR POWER SHAFT BEARING	0 1	Nov. 30/2013 Nov. 30/2013
70 7180	EXTRACTOR	0 1	Nov. 30/2009 Nov. 30/2009
80 0030	ENGINE SUPPORT MOUNT	0 1	Nov. 30/2009 Nov. 30/2009
80 0060	SUPPORT, MODULAR ASSEMBLY	0 1	June 15/2019 June 15/2019
80 0070	TUBE, DRAIN	0 1	Nov. 30/2009 Nov. 30/2009
80 0080	TUBE, DRAIN	0 1	Nov. 30/2009 Nov. 30/2009
80 0090	TUBE, DRAIN	0 1	June 15/2019 June 15/2019
80 3010	SHIPMENT CONTAINER	0 1	June 30/2018 June 30/2018
80 3020	METALLIC CONTAINER	0 1	June 30/2018 June 30/2018
80 3030	ENGINE CONTAINER	0 1	June 30/2018 June 30/2018
80 3040	SHIPMENT CONTAINER	0 1	June 30/2018 June 30/2018
80 3050	SHIPMENT CONTAINER	0 1	June 30/2018 June 30/2018
80 3060	SHIPMENT CONTAINER	0 1	June 30/2018 June 30/2018
80 3070	SHIPMENT CONTAINER	0 1	June 30/2018 June 30/2018
80 3080	SHIPMENT CONTAINER	0 1	June 30/2018 June 30/2018
80 3090	SHIPMENT CONTAINER	0 1	June 15/2019 June 15/2019
80 3100	BLANK	0 1	June 30/2018 June 30/2018
80 3110	BLANK	0	June 30/2018

* Page modified following update No. 41

List of Effective Pages

Page 8

OT

Dec. 30/2023

SAFRAN HELICOPTER ENGINES

ARRIEL 2 C1

MAINTENANCE TOOLS CATALOG

<u>OT No.</u>	<u>Description</u>	<u>Pages</u>	<u>Date</u>
		1	June 30/2018
80 3130	BLANK	0	June 30/2018
		1	June 30/2018
80 3140	U20 PLUG	* 0	Dec. 30/2023
		* 1	Dec. 30/2023
80 3160	BLANK	0	June 15/2022
		1	June 15/2022
80 3170	BLANK	0	June 15/2022
		1	June 15/2022
80 3180	BLANK	0	June 15/2022
		1	June 15/2022
80 3190	BLANK	0	June 15/2022
		1	June 15/2022
80 3200	BLANK	0	June 15/2022
		1	June 15/2022
80 3210	BLANK	0	June 15/2022
		1	June 15/2022
80 3220	BLANK	0	June 15/2022
		1	June 15/2022
80 3230	BLANK	0	June 15/2022
		1	June 15/2022
80 7040	TUBE, DRAIN	0	June 15/2019
		1	June 15/2019
80 7050	WEDGE, TURBINE CASING	0	Nov. 30/2009
		1	Nov. 30/2009
80 7060	MODULE 05 C2R PACKAGING	0	May 30/2015
		1	May 30/2015
80 7070	BLANK, BLEED VALVE	0	June 30/2018
		1	June 30/2018
80 7170	PROTECTOR	0	Dec. 30/2022
		1	Dec. 30/2022
80 7250	HOISTING BEAM, TILTING	0	Dec. 30/2018
		1	Dec. 30/2018
80 7260	HANDLING DEVICE	0	June 15/2021
		1	June 15/2021

* Page modified following update No. 41

SAFRAN HELICOPTER ENGINES

ARRIEL 2 C1

MAINTENANCE TOOLS CATALOG

<u>OT No.</u>	<u>Description</u>	<u>Pages</u>	<u>Date</u>
80 7330	BLANK	0 1	June 30/2018 June 30/2018
80 7350	BLANK, LINKING TUBE JUNCTION	0 1	June 30/2018 June 30/2018
80 7360	U8 PLUG	* 0 * 1	Dec. 30/2023 Dec. 30/2023
80 7370	PLUG	0 1	June 30/2018 June 30/2018
80 7380	PLUG	* 0 * 1	Dec. 30/2023 Dec. 30/2023
80 7390	U29 PLUG	* 0 * 1	Dec. 30/2023 Dec. 30/2023
80 7430	BLANK	0 1	June 30/2018 June 30/2018
80 7450	PLUG	0 1	June 30/2018 June 30/2018
80 7460	PLUG	* 0 * 1	Dec. 30/2023 Dec. 30/2023
80 7470	PROTECTOR	0 1	June 30/2018 June 30/2018
80 7480	U14 PLUG	* 0 * 1	Dec. 30/2023 Dec. 30/2023
80 7490	BLANK	0 1	June 30/2018 June 30/2018
80 7500	U9 PLUG	* 0 * 1	Dec. 30/2023 Dec. 30/2023
80 7510	AIR INTAKE BLANK	0 1	June 30/2018 June 30/2018
80 7520	BLANK	0 1	Dec. 30/2021 Dec. 30/2021
80 7530	AIR BLEED VALVE BLANK	0 1	June 30/2018 June 30/2018
80 7540	U28 PLUG	* 0 * 1	Dec. 30/2023 Dec. 30/2023
80 7550	U30 PLUG	* 0	Dec. 30/2023

* Page modified following update No. 41

List of Effective Pages

Page 10

OT

Dec. 30/2023

<u>OT No.</u>	<u>Description</u>	<u>Pages</u>	<u>Date</u>
		* 1	Dec. 30/2023
80 7610	BLANK	0	Dec. 30/2020
		1	Dec. 30/2020
80 7620	U7 PLUG	* 0	Dec. 30/2023
		* 1	Dec. 30/2023
80 7630	PLUG	0	June 30/2018
		1	June 30/2018
80 7640	BLANK	0	June 30/2018
		1	June 30/2018
80 7650	BLANK	* 0	Dec. 30/2023
		* 1	Dec. 30/2023
80 7660	BLANK	0	June 30/2018
		1	June 30/2018
80 7670	BLANK	0	June 30/2018
		1	June 30/2018
80 7680	BLANK	* 0	Dec. 30/2023
		* 1	Dec. 30/2023
80 7690	JUNCTION SPOILER	0	June 15/2019
		1	June 15/2019
80 7700	BLANK , STARTER	0	June 30/2018
		1	June 30/2018
80 7710	BLANK	0	June 30/2018
		1	June 30/2018
80 7730	U11 PLUG	* 0	Dec. 30/2023
		* 1	Dec. 30/2023
80 7740	BLANK	* 0	Dec. 30/2023
		* 1	Dec. 30/2023
80 7750	BLANK, WATER WASH CONNECTION	0	June 30/2018
		1	June 30/2018
80 7760	BLANK	0	June 30/2018
		1	June 30/2018
80 7780	BLANK	0	June 30/2018
		1	June 30/2018
80 7790	BLANK	0	June 30/2018
		1	June 30/2018

* Page modified following update No. 41

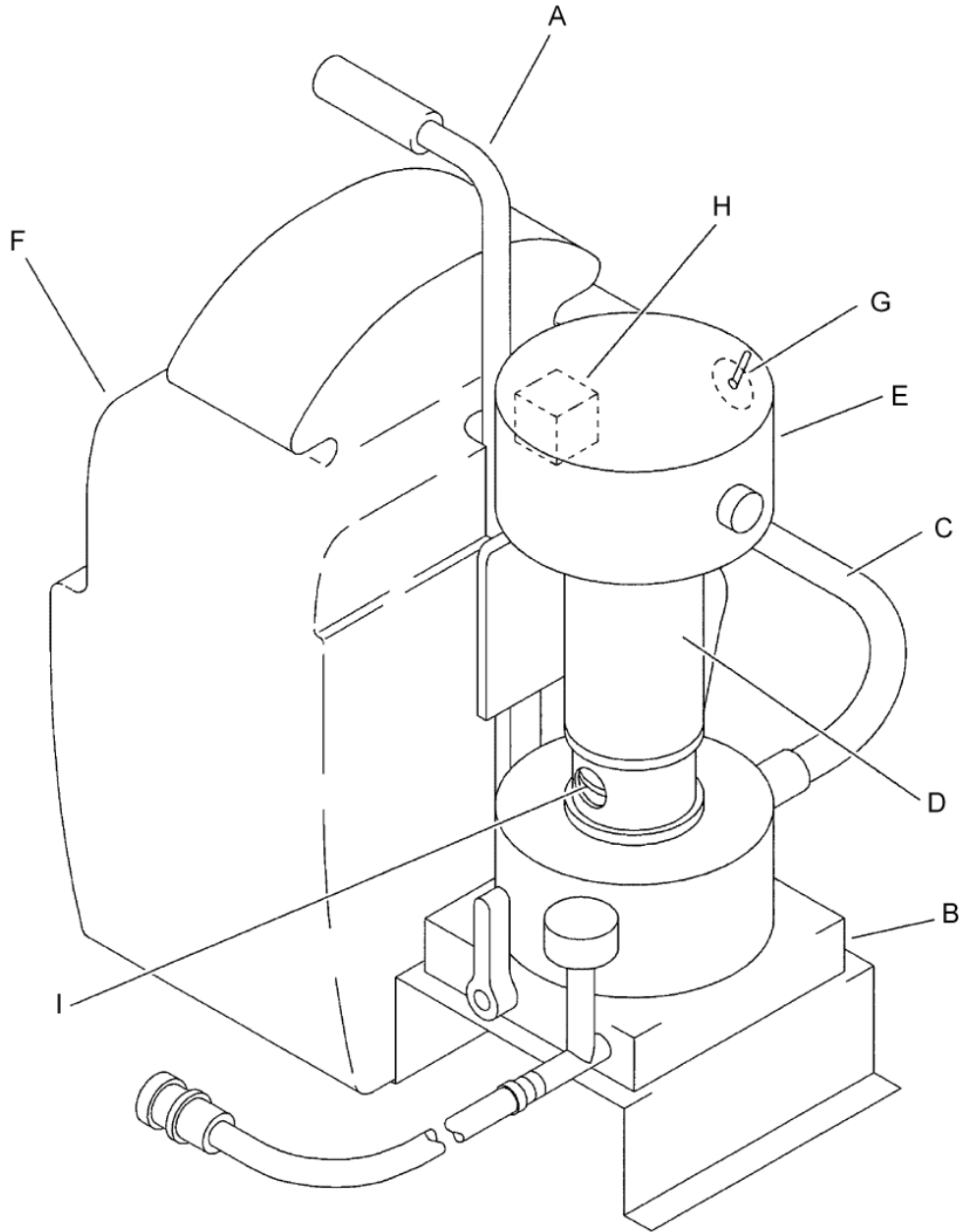
<u>OT No.</u>	<u>Description</u>	<u>Pages</u>	<u>Date</u>
80 7800	BLANK	0 1	June 30/2018 June 30/2018
80 7810	BLANK	0 1	June 30/2018 June 30/2018
80 7830	U2 PLUG	* 0 * 1	Dec. 30/2023 Dec. 30/2023
80 7870	BLANK	0 1	June 30/2018 June 30/2018
80 7890	FLANGE BLANKING DN6-DN8	0 1	June 30/2018 June 30/2018
80 7900	PLUG	0 1	June 30/2018 June 30/2018
80 7910	BLANK	0 1	June 30/2018 June 30/2018
80 7930	TAPERED PLUG	0 1	June 30/2018 June 30/2018
80 7970	BLANK	0 1	June 30/2018 June 30/2018
80 7980	BLANK	0 1	June 30/2018 June 30/2018
80 7990	PROTECTOR	0 1	June 30/2018 June 30/2018
80 8020	U25 PLUG	* 0 * 1	Dec. 30/2023 Dec. 30/2023
80 8040	BLANK,POWER SHAFT	0 1	Dec. 30/2022 Dec. 30/2022
90 0010	VISCOMETER (THROUGH COMPARISON OF VISCOSITY)	0 1	May 30/2015 May 30/2015

* Page modified following update No. 41

ILLUSTRATED TOOLS LIST

TM0188G002

Description: TANK, PRESSURE GENERATOR



SAFRAN HELICOPTER ENGINES

ARRIEL 2 C1

MAINTENANCE TOOLS CATALOG

<i>Description</i>		<i>Part Number</i>
TANK, PRESSURE GENERATOR		TM0188G002
<i>This tool replaces the tool</i>		TM0188G001
<i>Supply code</i>	<i>Calibration frequency</i>	<i>Functional criteria check</i>
3 - 2	N/A	N/A
<i>Use</i>	Tool necessary for engine cleaning and protection operations.	
<i>Use particularity</i>	The tool is equipped with standard (electrical, hydraulic) connectors. An adaptation may be necessary to connect to the (electrical, hydraulic) interfaces specific to each airframe.	
<i>Alternate</i>	<i>Part Number</i>	<i>Description</i>
	8814157000 8816183000 TM2814G001	TANK, PRESSURE GENERATOR TANK, PRESSURE GENERATOR CLEANING TOOL

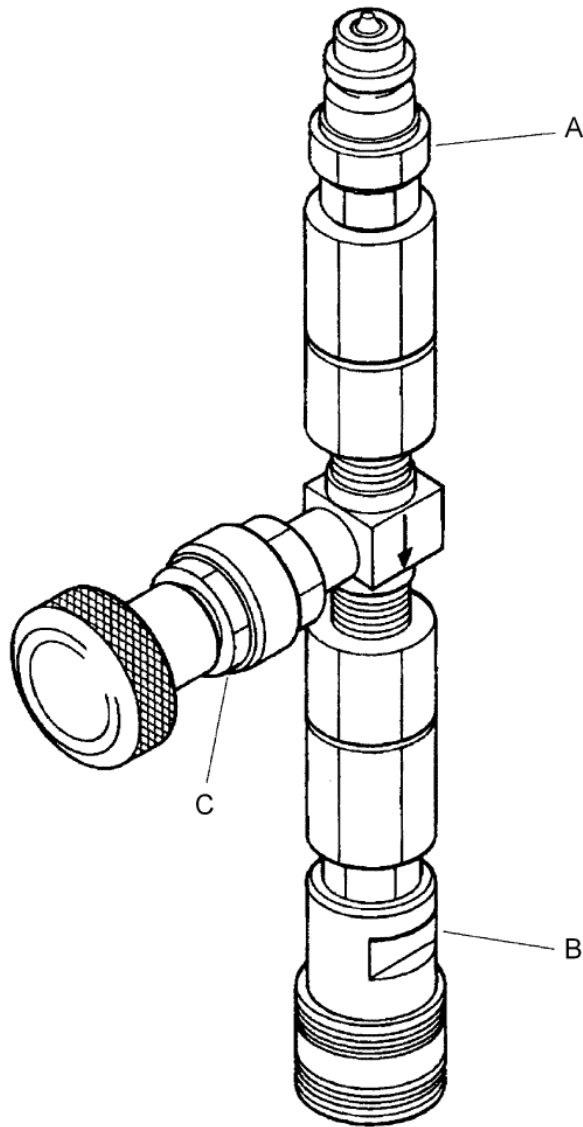
TOOL	P/N	DESCRIPTION	QTY
20 0010	TM0188G002	TANK, PRESSURE GENERATOR	1
20 0010	TM0188P132	. CHASSIS	1
20 0010	TM0188P102	. PUMP	1
20 0010	TM0188P103	. EQUIPPED PIPE	1
20 0010	TM0188P133	. ELECTRICAL MOTOR	1
20 0010	TM0188P105	. COVER	1
20 0010	TM0188G201	. TANK	1
20 0010	TM0188P126	. SWITCH (LS-1806158)	1
20 0010	TM0188P127	. RELAY 24V-20A (LS-1806160)	1
20 0010	TM0188P123	. COUPLING (LS-1806213)	1

- ITEM NOT ILLUSTRATED

NP NON PROCURABLE

8819505000

Description: FLOW LIMITER ASSEMBLY



TURBOMECA ARRIEL 2 C1

MAINTENANCE TOOLS CATALOG

<i>Description</i>	<i>Part Number</i>
FLOW LIMITER ASSEMBLY	8819505000

<i>This tool replaces the tool</i>

<i>Supply code</i>	<i>Calibration frequency</i>	<i>Functional criteria check</i>
3 - 2	N/A	N/A

Use	Tool required for engine flushing and washing. To limit the flow rate of flushing or washing compound from the tank pressure generator.
Use particularity	

<i>Alternate</i>	<i>Part Number</i>	<i>Description</i>

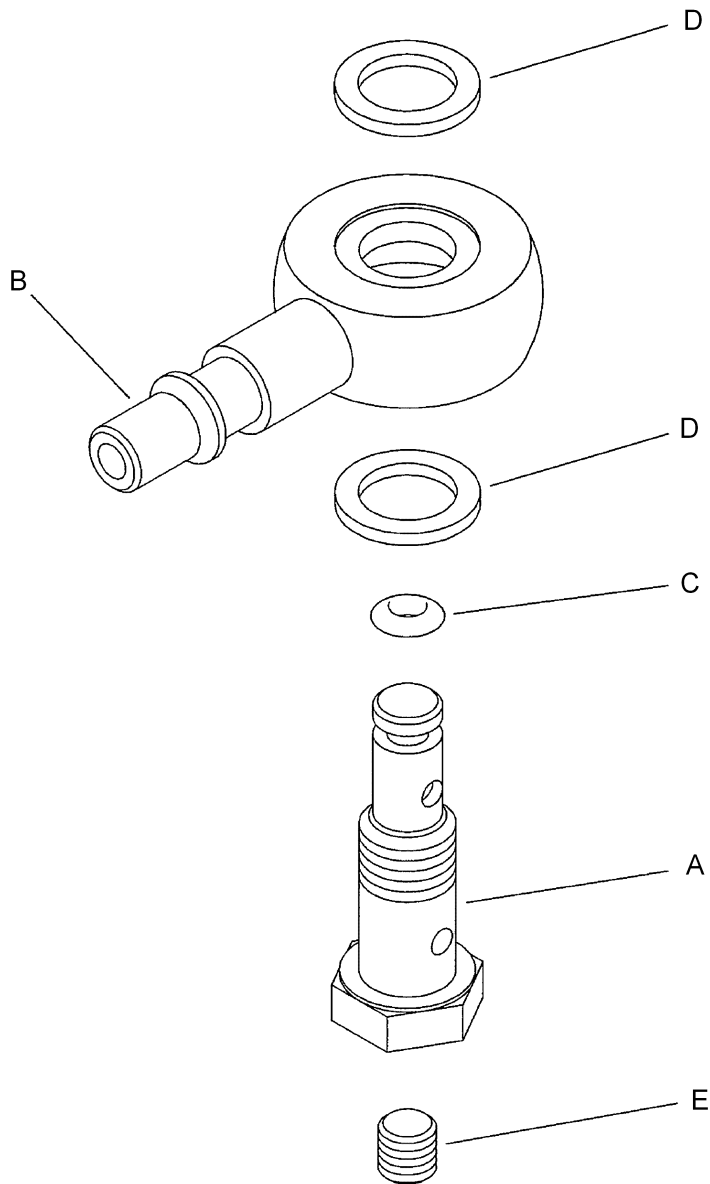
TOOL				P/N	DESCRIPTION	QTY
OT No.	Ind.	Ind.	1 2 3			
20 0020				8819505000	FLOW LIMITER ASSEMBLY	1
20 0020	A			9560153380	. UNION WITH MALE ENDS	1
20 0020	B			9560153370	. UNION WITH FEMALE ENDS	1
20 0020	C			8819505005	. VALVE, FINE TRIMMING	1

- ITEM NOT ILLUSTRATED

NP NON PROCURABLE

8816517000

Description: UNION, BLEED VALVE



SAFRAN HELICOPTER ENGINES

ARRIEL 2 C1

MAINTENANCE TOOLS CATALOG

<i>Description</i>	<i>Part Number</i>
UNION, BLEED VALVE	8816517000

<i>This tool replaces the tool</i>

<i>Supply code</i>	<i>Calibration frequency</i>	<i>Functional criteria check</i>
3 - 2	N/A	N/A

Use	Tool required for engine washing, cleaning and protection. When connected to an external compressed air supply, it closes the flap of the bleed valve.
------------	--

Use particularity	
--------------------------	--

<i>Alternate</i>	<i>Part Number</i>	<i>Description</i>

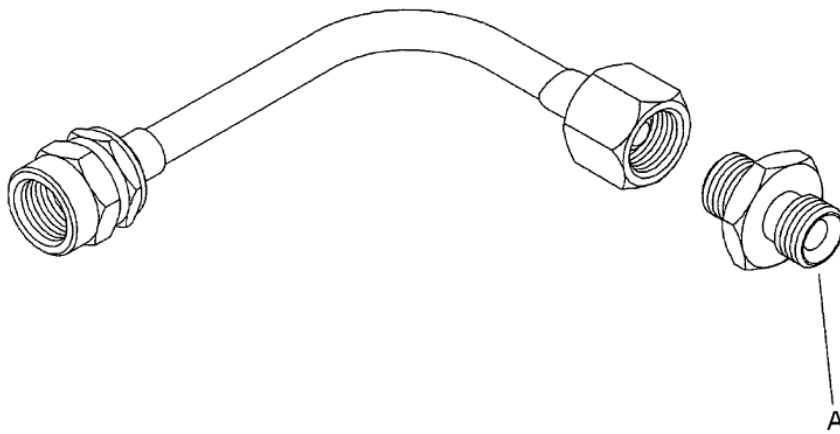
TOOL				P/N	DESCRIPTION	QTY
OT No.	Ind.	Ind.		1 2 3		
20 0030			8816517000	UNION, BLEED VALVE	1	
20 0030	A		8816517001	. BOLT, BANJO	1	
20 0030	B		8816517002	. UNION END	1	
20 0030	C		9794410040	. PACKING, PREFORMED	1	
20 0030	D		9752010044	. SEAL	1	
20 0030	E		9897060031	. PLUG, THREADED	1	

- ITEM NOT ILLUSTRATED

NP NON PROCURABLE

8816540000

Description: TUBE, OIL PRESSURE TAPPING



SAFRAN HELICOPTER ENGINES

ARRIEL 2 C1

MAINTENANCE TOOLS CATALOG

<i>Description</i>	<i>Part Number</i>
TUBE, OIL PRESSURE TAPPING	8816540000

<i>This tool replaces the tool</i>	8814657000
------------------------------------	------------

<i>Supply code</i>	<i>Calibration frequency</i>	<i>Functional criteria check</i>
3 - 2	N/A	N/A

Use	Tool required for the inspection and check procedures of the engine oil pressure. It is used as the interface between the oil pressure tapping parts of module 01 and a pressure gage.
------------	--

Use particularity	For engines MOD. TU 068A and TU 069A
--------------------------	--------------------------------------

<i>Alternate</i>	<i>Part Number</i>	<i>Description</i>

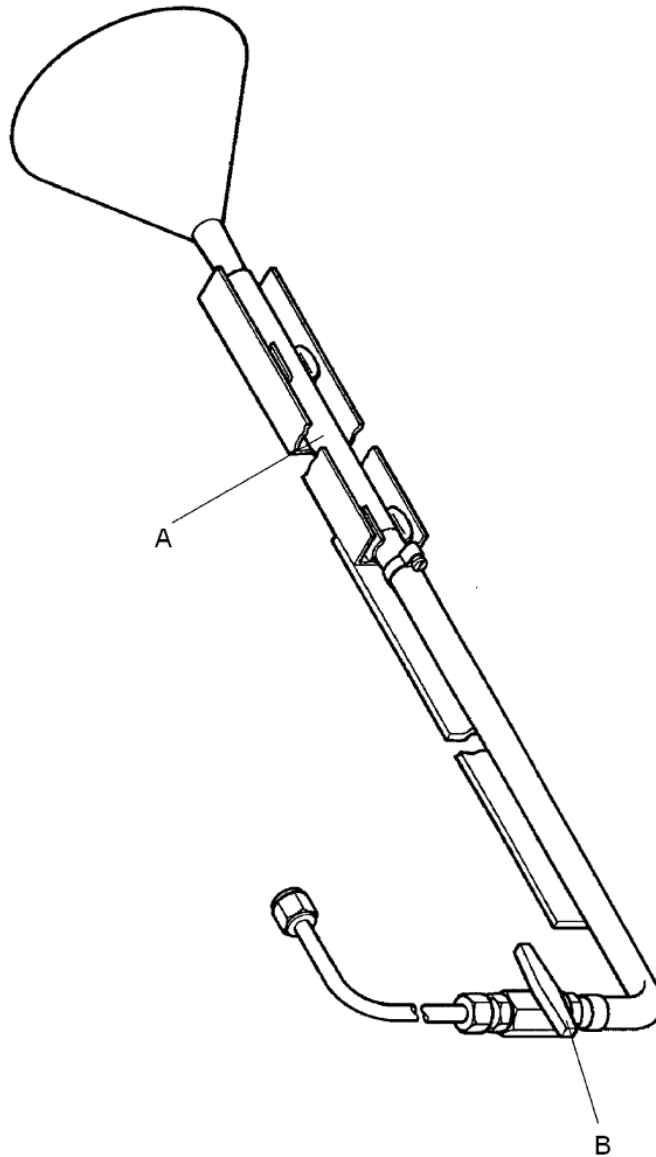
	TOOL			P/N	DESCRIPTION	QTY
	OT No.	Ind.	Ind.			
	30 0010			8816540000	TUBE, OIL PRESSURE TAPPING	1
	30 0010	A		9770060034	. DOUBLE UNION	1

- ITEM NOT ILLUSTRATED

NP NON PROCURABLE

8816968000

Description: PERMEABILITY MEASURING TOOL, ASSEMBLY



SAFRAN HELICOPTER ENGINES

ARRIEL 2 C1

MAINTENANCE TOOLS CATALOG

<i>Description</i>	<i>Part Number</i>
PERMEABILITY MEASURING TOOL, ASSEMBLY	8816968000

<i>This tool replaces the tool</i>

<i>Supply code</i>	<i>Calibration frequency</i>	<i>Functional criteria check</i>
3 - 2	N/A	N/A

Use	Tool used to check the permeability of the injection wheel.
------------	---

Use particularity	
--------------------------	--

<i>Alternate</i>	<i>Part Number</i>	<i>Description</i>

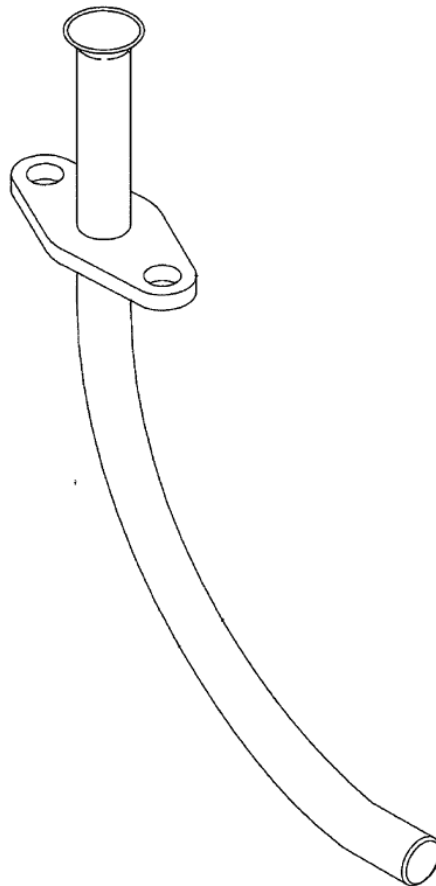
TOOL				P/N	DESCRIPTION	QTY
OT No.	Ind.	Ind.		1 2 3		
30 0020			8816968000	PERMEABILITY MEASURING TOOL, ASSEMBLY	1	
30 0020	A		8816968019	. TUBE	1	
30 0020	B		8816968010	. VALVE	1	

- ITEM NOT ILLUSTRATED

NP NON PROCURABLE

8819571000

Description: GUIDE, BORESCOPIC



TURBOMECA ARRIEL 2 C1

MAINTENANCE TOOLS CATALOG

<i>Description</i>	<i>Part Number</i>
GUIDE, BORESCOPIC	8819571000

<i>This tool replaces the tool</i>

<i>Supply code</i>	<i>Calibration frequency</i>	<i>Functional criteria check</i>
3 - 2	N/A	N/A

<i>Use</i>	Tool designed to check the turbine blades of the module 03 - Gas generator. It is used to insert and guide a 5-mm semi-flexible borescope.
------------	--

<i>Use particularity</i>	
--------------------------	--

<i>Alternate</i>	<i>Part Number</i>	<i>Description</i>

TOOL				P/N	DESCRIPTION	QTY
OT No.	Ind.	Ind.		1 2 3		
30 0040			8819571000	GUIDE, BORESCOPIC	1	

- ITEM NOT ILLUSTRATED

NP NON PROCURABLE

TURBOMECA ARRIEL 2 C1

MAINTENANCE TOOLS CATALOG

9610078440

Description: ARINC 429 CEI-710 adaptor board (CONDOR Engineering)

NON ILLUSTRATED TOOL

TURBOMECA ARRIEL 2 C1

MAINTENANCE TOOLS CATALOG

<i>Description</i>	<i>Part Number</i>
ARINC 429 CEI-710 adaptor board (CONDOR Engineering)	9610078440

<i>This tool replaces the tool</i>

<i>Supply code</i>	<i>Calibration frequency</i>	<i>Functional criteria check</i>
3 - 2	N/A	N/A

<i>Use</i>	
------------	--

<i>Use particularity</i>	
--------------------------	--

<i>Alternate</i>	<i>Part Number</i>	<i>Description</i>

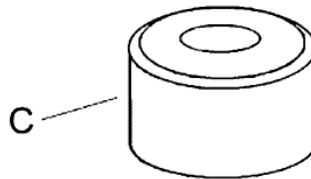
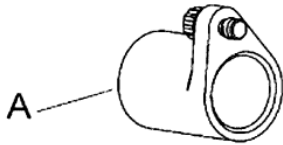
	TOOL			P/N	DESCRIPTION	QTY
	OT No.	Ind.	Ind.			
I -	30 0050			9610078440	ARINC 429 CEI-710 adaptor board (CONDOR Engineering)	1

- ITEM NOT ILLUSTRATED

NP NON PROCURABLE

TM0318G001

Description: SENSOR SUPPORT



TURBOMECA ARRIEL 2 C1

MAINTENANCE TOOLS CATALOG

<i>Description</i>	<i>Part Number</i>
SENSOR SUPPORT	TM0318G001

<i>This tool replaces the tool</i>

<i>Supply code</i>	<i>Calibration frequency</i>	<i>Functional criteria check</i>
3 - 2	N/A	N/A

Use	Tool required for the adjustment of the penetration depth of the torquemeter sensor. It is used to measure the thickness of the shims for torquemeter sensor.
Use particularity	

Alternate	<i>Part Number</i>	<i>Description</i>

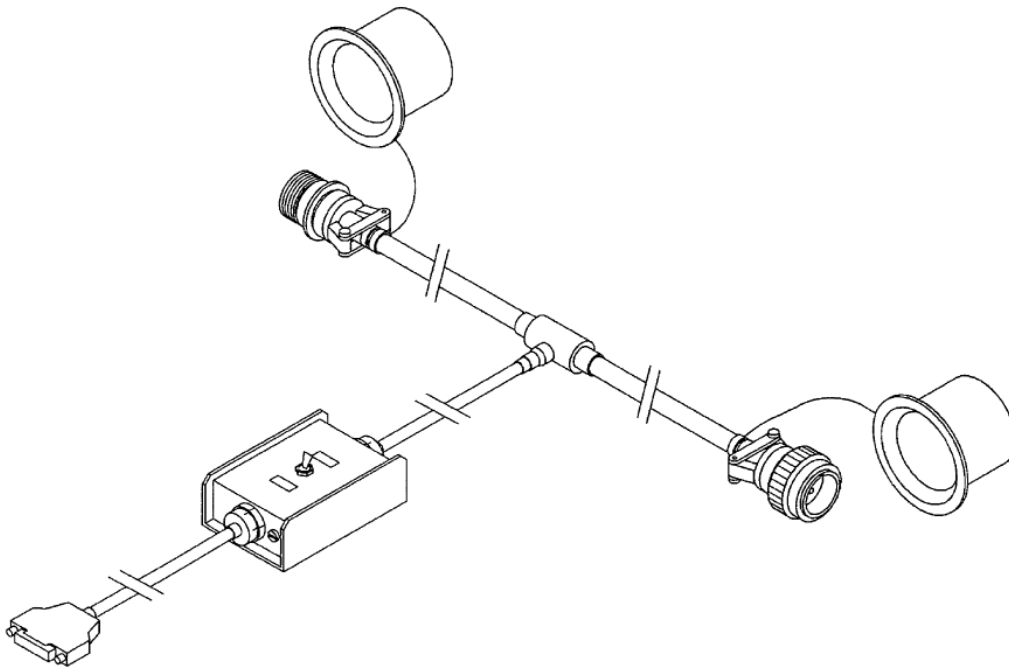
TOOL				P/N	DESCRIPTION	QTY
OT No.	Ind.	Ind.		1 2 3		
30 0060			TM0318G001	SENSOR SUPPORT		1
30 0060	A		TM0318P001	. BODY		1
- 30 0060	B		TM0318P002	. CAPTIVE SCREW		1
30 0060	C		TM0318P003	. SUPPORT		1

- ITEM NOT ILLUSTRATED

NP NON PROCURABLE

TM0902G001

Description: HARNESS



TURBOMECA ARRIEL 2 C1

<i>Description</i>	<i>Part Number</i>
HARNESS	TM0902G001

<i>This tool replaces the tool</i>

<i>Supply code</i>	<i>Calibration frequency</i>	<i>Functional criteria check</i>
3 - 2	N/A	N/A

Use	Tool used to do check operations of information transmitted on the ARINC 429 serial link.
------------	---

Use particularity	It is used with tools 9610086160 and TM2082G001
--------------------------	---

<i>Alternate</i>	<i>Part Number</i>	<i>Description</i>
	TM0568G002	HARNESS

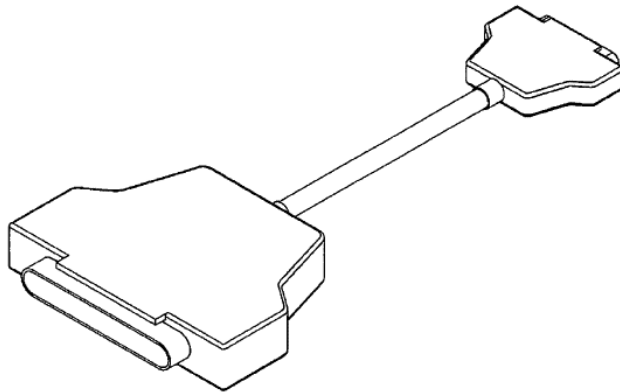
	TOOL			P/N	DESCRIPTION	QTY
	OT No.	Ind.	Ind.			
1	30 0080			TM0902G001	HARNESS	1

- ITEM NOT ILLUSTRATED

NP NON PROCURABLE

TM2082G001

Description: ADAPTER HARNESS



TURBOMECA ARRIEL 2 C1

<i>Description</i>	<i>Part Number</i>
ADAPTER HARNESS	TM2082G001

<i>This tool replaces the tool</i>

<i>Supply code</i>	<i>Calibration frequency</i>	<i>Functional criteria check</i>
3 - 2	N/A	N/A

Use	Tool used to do check operations of information transmitted on the ARINC 429 serial link.
------------	---

Use particularity	It is used with tools 9610086160 and TM0902G001
--------------------------	---

Alternate	<i>Part Number</i>	<i>Description</i>

	TOOL			P/N	DESCRIPTION	QTY
	OT No.	Ind.	Ind.			
1	30 0090			TM2082G001	ADAPTER HARNESS	1

- ITEM NOT ILLUSTRATED

NP NON PROCURABLE

TURBOMECA ARRIEL 2 C1

MAINTENANCE TOOLS CATALOG

9610019070

Description: STRIPBOARD CUTTER

NON ILLUSTRATED TOOL

TURBOMECA ARRIEL 2 C1

MAINTENANCE TOOLS CATALOG

<i>Description</i>	<i>Part Number</i>
STRIPBOARD CUTTER	9610019070

<i>This tool replaces the tool</i>

<i>Supply code</i>	<i>Calibration frequency</i>	<i>Functional criteria check</i>
3 - 2	N/A	N/A

<i>Use</i>	
------------	--

<i>Use particularity</i>	
--------------------------	--

<i>Alternate</i>	<i>Part Number</i>	<i>Description</i>

	TOOL			P/N	DESCRIPTION	QTY
	OT No.	Ind.	Ind.			
-	30 0170			9610019070	STRIPBOARD CUTTER	1

- ITEM NOT ILLUSTRATED

NP NON PROCURABLE

TURBOMECA ARRIEL 2 C1

MAINTENANCE TOOLS CATALOG

9610086160

Description: ARINC 429 CEI-715-22 adaptor board (CONDOR Engineering)

NON ILLUSTRATED TOOL

SAFRAN HELICOPTER ENGINES

ARRIEL 2 C1

MAINTENANCE TOOLS CATALOG

<i>Description</i>	<i>Part Number</i>
ARINC 429 CEI-715-22 adaptor board (CONDOR Engineering)	9610086160

<i>This tool replaces the tool</i>

<i>Supply code</i>	<i>Calibration frequency</i>	<i>Functional criteria check</i>
3 - 2	N/A	N/A

<i>Use</i>	
------------	--

<i>Use particularity</i>	
--------------------------	--

<i>Alternate</i>	<i>Part Number</i>	<i>Description</i>

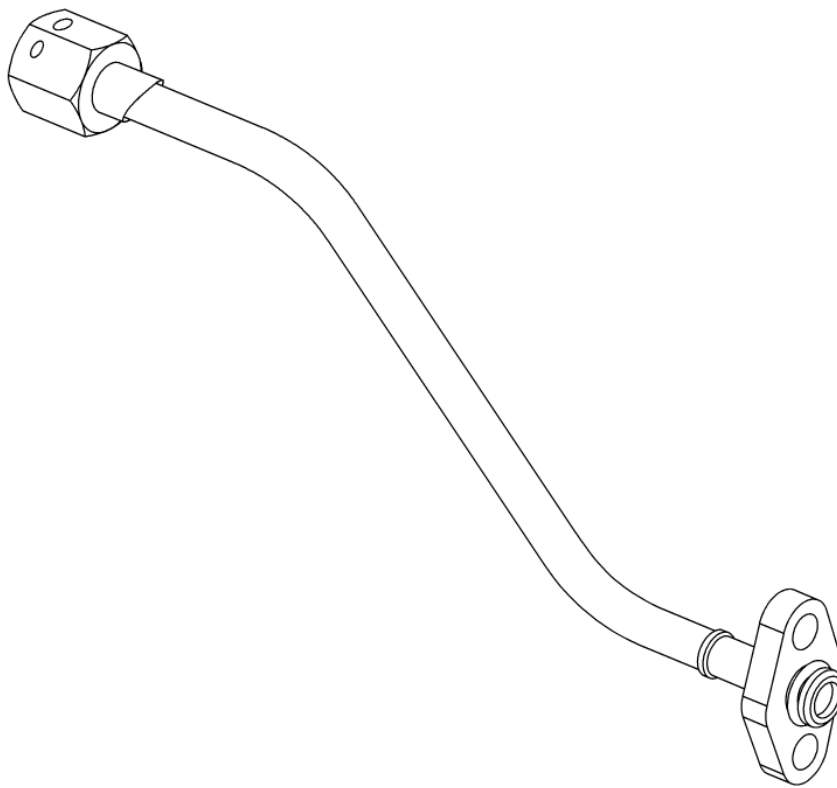
	TOOL			P/N	DESCRIPTION	QTY
	OT No.	Ind.	Ind.			
-	30 0190			9610086160	ARINC 429 CEI-715-22 adaptor board (CONDOR Engineering)	1

- ITEM NOT ILLUSTRATED

NP NON PROCURABLE

TM3199G002

Description: OIL PRESSURE INLET



SAFRAN HELICOPTER ENGINES

ARRIEL 2 C1

MAINTENANCE TOOLS CATALOG

<i>Description</i>	<i>Part Number</i>
OIL PRESSURE INLET	TM3199G002

<i>This tool replaces the tool</i>	8817027000
------------------------------------	------------

<i>Supply code</i>	<i>Calibration frequency</i>	<i>Functional criteria check</i>
3 - 2	N/A	N/A

<i>Use</i>	Measure oil pressure
------------	----------------------

<i>Use particularity</i>	
--------------------------	--

<i>Alternate</i>	<i>Part Number</i>	<i>Description</i>

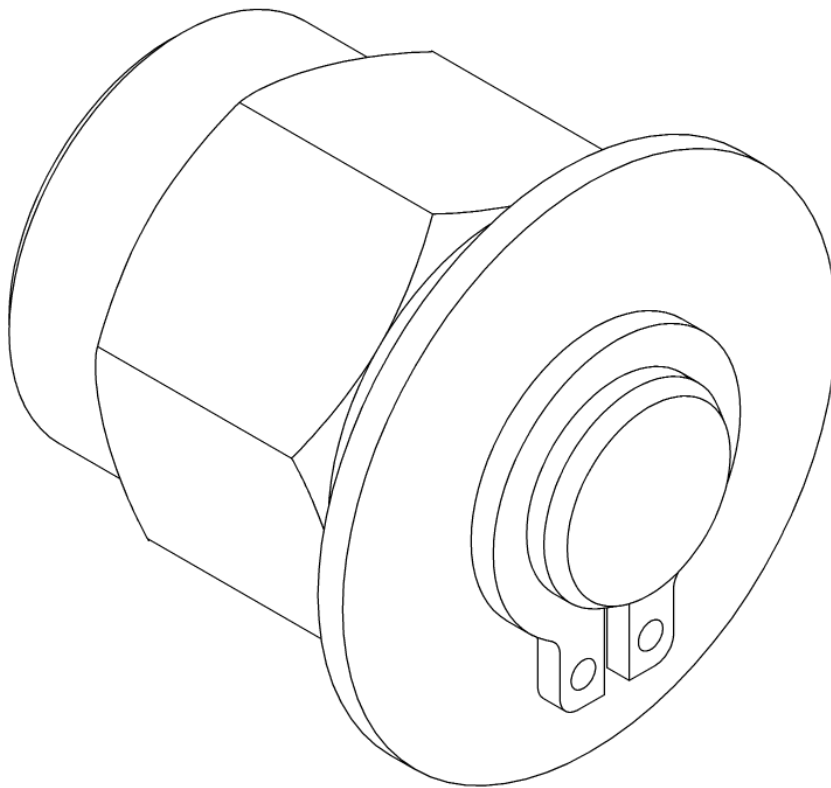
	TOOL			P/N	DESCRIPTION	QTY
	OT No.	Ind.	Ind.			
I	30 0240			TM3199G002	OIL PRESSURE INLET	1
-	30 0240	A		TM3199P002	. PIPING DN6	1
-	30 0240	B		9794410056	. O RING	1

- ITEM NOT ILLUSTRATED

NP NON PROCURABLE

TM1494G001

Description: SEAL PLUG



SAFRAN HELICOPTER ENGINES

ARRIEL 2 C1

MAINTENANCE TOOLS CATALOG

<i>Description</i>	<i>Part Number</i>
SEAL PLUG	TM1494G001

<i>This tool replaces the tool</i>

<i>Supply code</i>	<i>Calibration frequency</i>	<i>Functional criteria check</i>
3 - 2	N/A	N/A

<i>Use</i>	
------------	--

<i>Use particularity</i>	
--------------------------	--

<i>Alternate</i>	<i>Part Number</i>	<i>Description</i>

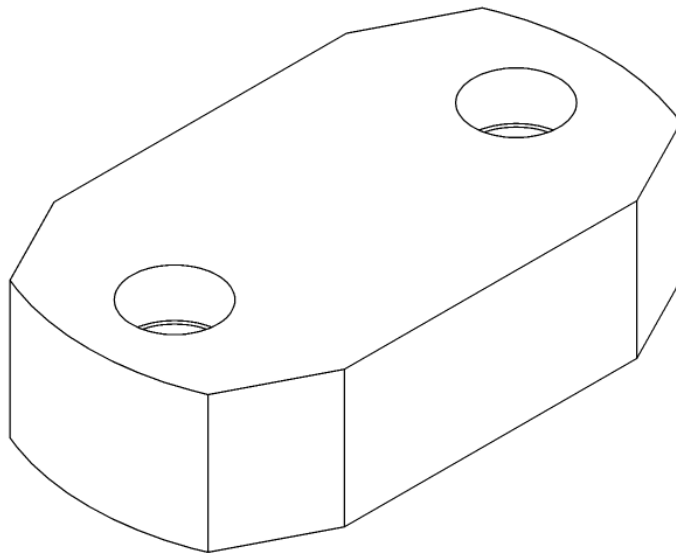
TOOL				P/N	DESCRIPTION	QTY
OT No.	Ind.	Ind.		1 2 3		
30 0270			TM1494G001	SEAL PLUG		1

- ITEM NOT ILLUSTRATED

NP NON PROCURABLE

TA5124G001

Description: BLANK



SAFRAN HELICOPTER ENGINES

ARRIEL 2 C1

MAINTENANCE TOOLS CATALOG

<i>Description</i>	<i>Part Number</i>
BLANK	TA5124G001

<i>This tool replaces the tool</i>

<i>Supply code</i>	<i>Calibration frequency</i>	<i>Functional criteria check</i>
3 - 2	N/A	N/A

<i>Use</i>	
------------	--

<i>Use particularity</i>	
--------------------------	--

<i>Alternate</i>	<i>Part Number</i>	<i>Description</i>
	9945300060	BLANK

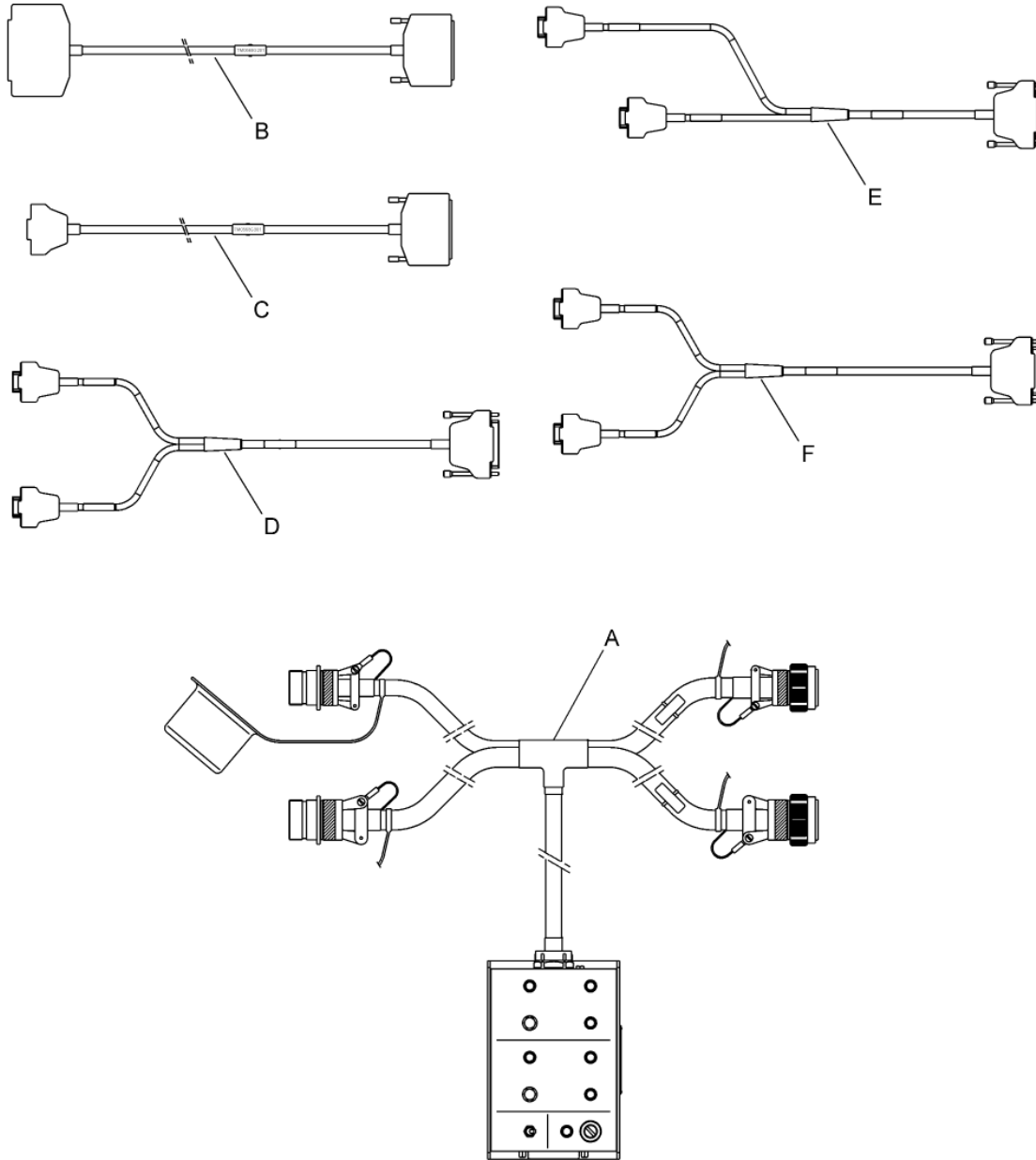
	TOOL			P/N	DESCRIPTION	QTY
	OT No.	Ind.	Ind.			
I	30 0280			TA5124G001	BLANK	1

- ITEM NOT ILLUSTRATED

NP NON PROCURABLE

TM0568G002

Description: HARNESS



SAFRAN HELICOPTER ENGINES

ARRIEL 2 C1

MAINTENANCE TOOLS CATALOG

<i>Description</i>	<i>Part Number</i>
HARNESS	TM0568G002

<i>This tool replaces the tool</i>

<i>Supply code</i>	<i>Calibration frequency</i>	<i>Functional criteria check</i>
1 - 2	N/A	N/A

<i>Use</i>	
------------	--

<i>Use particularity</i>	
--------------------------	--

<i>Alternate</i>	<i>Part Number</i>	<i>Description</i>

TOOL			P/N	DESCRIPTION	QTY
OT No.	Ind.	Ind.	1 2 3		
30 0290			TM0568G002	HARNESS	1
30 0290	A		TM0568G101	. BOX	1
30 0290	B		TM0568G201	. ARINC 429 CEI-715 HARNESS	1
30 0290	C		TM0568G301	. ARINC 429 CEI-710 HARNESS	1
30 0290	D		TM0568G401	. 2XRS422 HARNESS	1
30 0290	E		TM0568G501	. RS422/RS232 HARNESS	1
30 0290	F		TM0568G601	. 2XRS232 HARNESS	1

- ITEM NOT ILLUSTRATED

NP NON PROCURABLE

9610090040

Description: 2xRS422 PCMCIA CARD

NON ILLUSTRATED TOOL

SAFRAN HELICOPTER ENGINES

ARRIEL 2 C1

MAINTENANCE TOOLS CATALOG

<i>Description</i>	<i>Part Number</i>
2xRS422 PCMCIA CARD	9610090040

<i>This tool replaces the tool</i>

<i>Supply code</i>	<i>Calibration frequency</i>	<i>Functional criteria check</i>
3 - 2	N/A	N/A

<i>Use</i>	
------------	--

<i>Use particularity</i>	
--------------------------	--

<i>Alternate</i>	<i>Part Number</i>	<i>Description</i>

	TOOL			P/N	DESCRIPTION	QTY
	OT No.	Ind.	Ind.			
I -	30 0310			9610090040	2xRS422 PCMCIA CARD	1

- ITEM NOT ILLUSTRATED

NP NON PROCURABLE

9610084550

Description: RS422 PCMCIA CARD

NON ILLUSTRATED TOOL

TURBOMECA ARRIEL 2 C1

MAINTENANCE TOOLS CATALOG

<i>Description</i>	<i>Part Number</i>
RS422 PCMCIA CARD	9610084550

<i>This tool replaces the tool</i>

<i>Supply code</i>	<i>Calibration frequency</i>	<i>Functional criteria check</i>
3 - 2	N/A	N/A

<i>Use</i>	
------------	--

<i>Use particularity</i>	
--------------------------	--

<i>Alternate</i>	<i>Part Number</i>	<i>Description</i>

	TOOL			P/N	DESCRIPTION	QTY
	OT No.	Ind.	Ind.			
I -	30 0320			9610084550	RS422 PCMCIA CARD	1

- ITEM NOT ILLUSTRATED

NP NON PROCURABLE

TURBOMECA ARRIEL 2 C1

MAINTENANCE TOOLS CATALOG

TL0336G003

Description: ARRIEL 2 FADEC B EMC101 INTERFACE SOFTWARE

NON ILLUSTRATED TOOL

TURBOMECA ARRIEL 2 C1

<i>Description</i>	<i>Part Number</i>
ARRIEL 2 FADEC B EMC101 INTERFACE SOFTWARE	TL0336G003

<i>This tool replaces the tool</i>

<i>Supply code</i>	<i>Calibration frequency</i>	<i>Functional criteria check</i>
2 - 2	N/A	N/A

<i>Use</i>	
------------	--

<i>Use particularity</i>	
--------------------------	--

<i>Alternate</i>	<i>Part Number</i>	<i>Description</i>

	TOOL			P/N	DESCRIPTION	QTY
	OT No.	Ind.	Ind.			
I -	30 0400			TL0336G003	ARRIEL 2 FADEC B EMC101 INTERFACE SOFTWARE	1

- ITEM NOT ILLUSTRATED

NP NON PROCURABLE

TM6518G003

Description: POLYBOX BC V2



TURBOMECA ARRIEL 2 C1

<i>Description</i>	<i>Part Number</i>
POLYBOX BC V2	TM6518G003

<i>This tool replaces the tool</i>

<i>Supply code</i>	<i>Calibration frequency</i>	<i>Functional criteria check</i>
1 - 2	N/A	N/A

<i>Use</i>	
------------	--

<i>Use particularity</i>	
--------------------------	--

<i>Alternate</i>	<i>Part Number</i>	<i>Description</i>

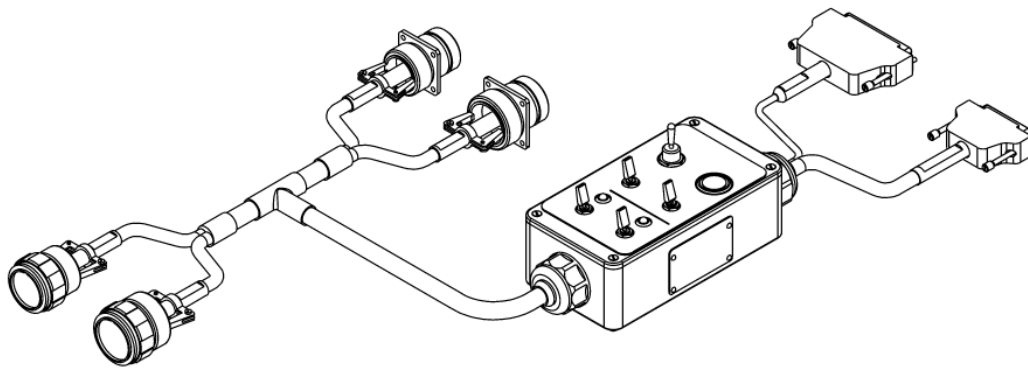
	TOOL			P/N	DESCRIPTION	QTY
	OT No.	Ind.	Ind.			
1	30 0410			TM6518G003	POLYBOX BC V2	1

- ITEM NOT ILLUSTRATED

NP NON PROCURABLE

TM6947G001

Description: POLYBOX DOUBLE CHANNEL HARNESS



SAFRAN HELICOPTER ENGINES

ARRIEL 2 C1

MAINTENANCE TOOLS CATALOG

<i>Description</i>	<i>Part Number</i>
POLYBOX DOUBLE CHANNEL HARNESS	TM6947G001

<i>This tool replaces the tool</i>

<i>Supply code</i>	<i>Calibration frequency</i>	<i>Functional criteria check</i>
3 - 2	N/A	N/A

<i>Use</i>	
------------	--

<i>Use particularity</i>	
--------------------------	--

<i>Alternate</i>	<i>Part Number</i>	<i>Description</i>

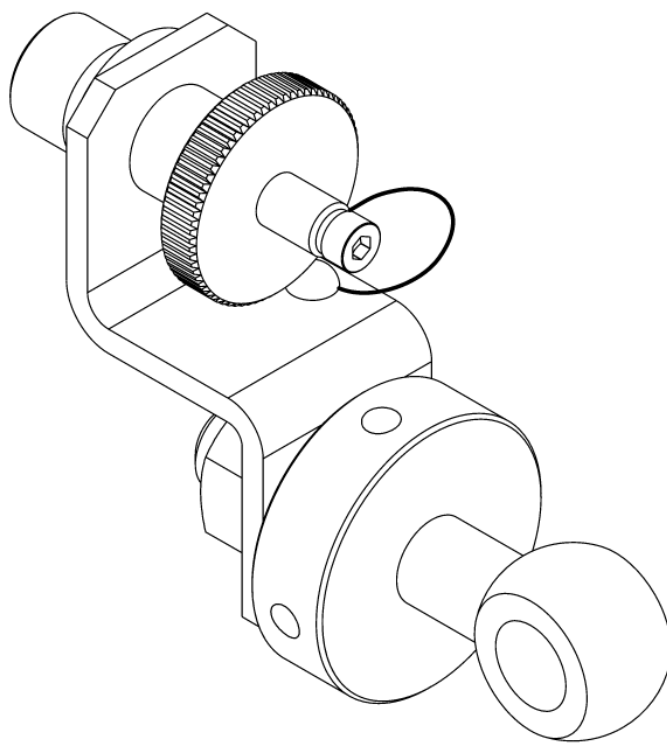
TOOL				P/N	DESCRIPTION	QTY
OT No.	Ind.	Ind.		1 2 3		
30 0420			TM6947G001	POLYBOX DOUBLE CHANNEL HARNESS		1

- ITEM NOT ILLUSTRATED

NP NON PROCURABLE

TM5878G001

Description: SUPPORT



SAFRAN HELICOPTER ENGINES

ARRIEL 2 C1

MAINTENANCE TOOLS CATALOG

<i>Description</i>	<i>Part Number</i>
SUPPORT	TM5878G001

<i>This tool replaces the tool</i>

<i>Supply code</i>	<i>Calibration frequency</i>	<i>Functional criteria check</i>
3 - 2	N/A	N/A

<i>Use</i>	
------------	--

<i>Use particularity</i>	
--------------------------	--

<i>Alternate</i>	<i>Part Number</i>	<i>Description</i>

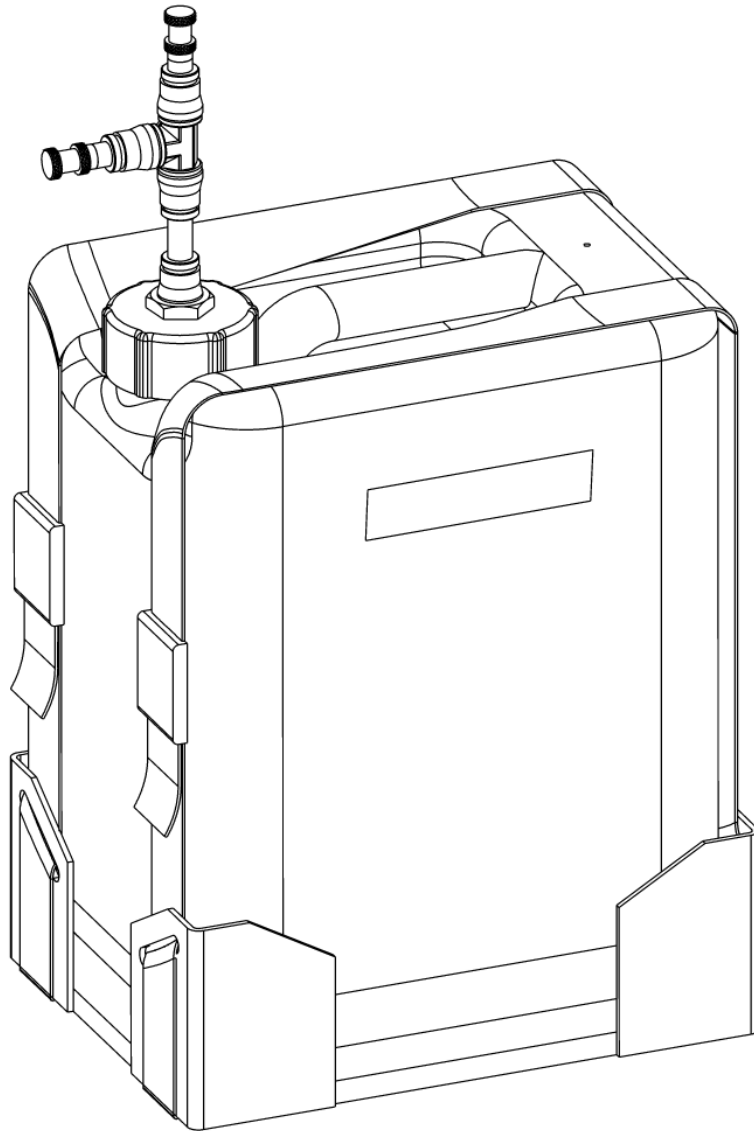
	TOOL			P/N	DESCRIPTION	QTY
	OT No.	Ind.	Ind.			
1	30 0430			TM5878G001	1 2 3 SUPPORT	1

- ITEM NOT ILLUSTRATED

NP NON PROCURABLE

TA5147G401

Description: TANK



SAFRAN HELICOPTER ENGINES

ARRIEL 2 C1

MAINTENANCE TOOLS CATALOG

<i>Description</i>	<i>Part Number</i>
TANK	TA5147G401

<i>This tool replaces the tool</i>

<i>Supply code</i>	<i>Calibration frequency</i>	<i>Functional criteria check</i>
3 - 2	N/A	N/A

<i>Use</i>	
------------	--

<i>Use particularity</i>	
--------------------------	--

<i>Alternate</i>	<i>Part Number</i>	<i>Description</i>

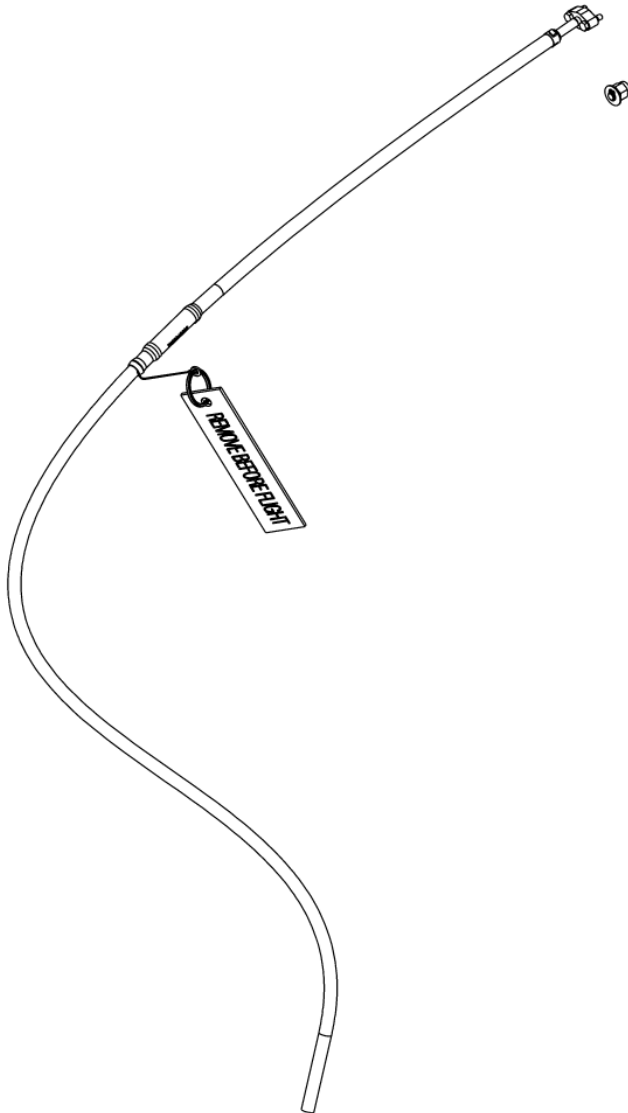
	TOOL			P/N	DESCRIPTION	QTY
	OT No.	Ind.	Ind.			
I	30 0440			TA5147G401	TANK	1

- ITEM NOT ILLUSTRATED

NP NON PROCURABLE

TM5084G002

Description: DRAINAGE PIPE



SAFRAN HELICOPTER ENGINES

ARRIEL 2 C1

MAINTENANCE TOOLS CATALOG

<i>Description</i>	<i>Part Number</i>
DRAINAGE PIPE	TM5084G002

<i>This tool replaces the tool</i>

<i>Supply code</i>	<i>Calibration frequency</i>	<i>Functional criteria check</i>
3 - 2	N/A	N/A

<i>Use</i>	
------------	--

<i>Use particularity</i>	
--------------------------	--

<i>Alternate</i>	<i>Part Number</i>	<i>Description</i>

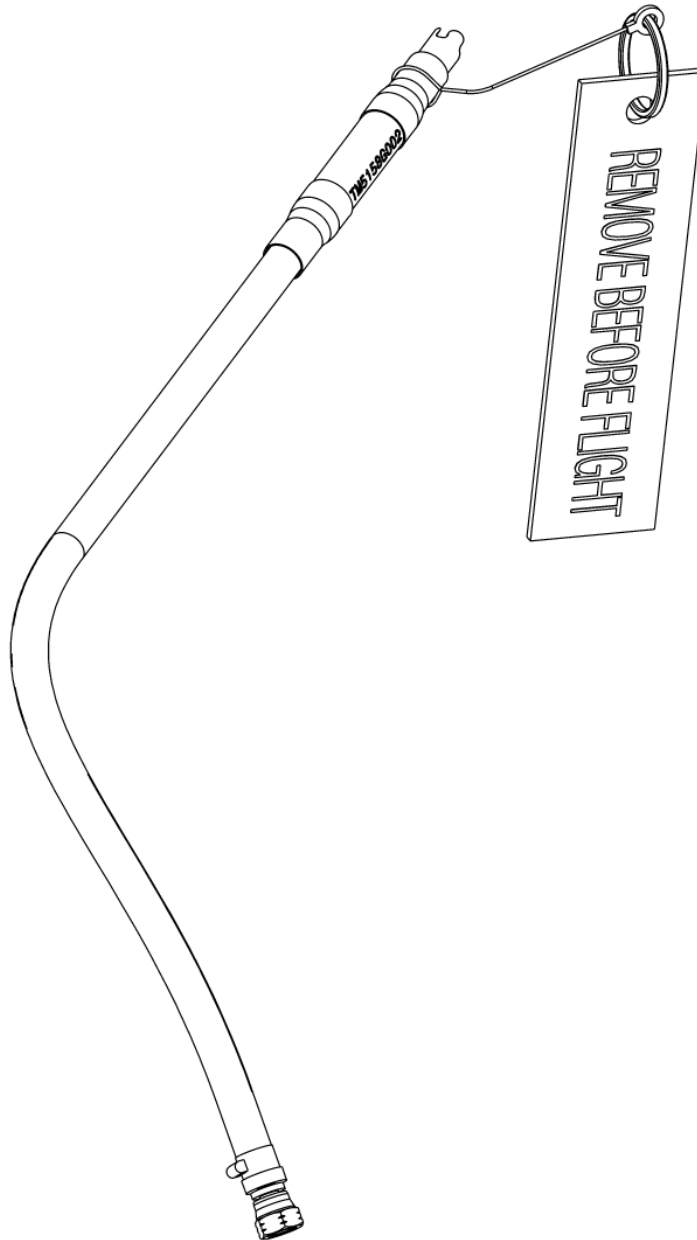
	TOOL			P/N	DESCRIPTION	QTY
	OT No.	Ind.	Ind.			
1	30 0450			TM5084G002	DRAINAGE PIPE	1

- ITEM NOT ILLUSTRATED

NP NON PROCURABLE

TM5158G002

Description: DRAINAGE PIPE



SAFRAN HELICOPTER ENGINES

ARRIEL 2 C1

MAINTENANCE TOOLS CATALOG

<i>Description</i>	<i>Part Number</i>
DRAINAGE PIPE	TM5158G002

<i>This tool replaces the tool</i>

<i>Supply code</i>	<i>Calibration frequency</i>	<i>Functional criteria check</i>
3 - 2	N/A	N/A

<i>Use</i>	
------------	--

<i>Use particularity</i>	
--------------------------	--

<i>Alternate</i>	<i>Part Number</i>	<i>Description</i>

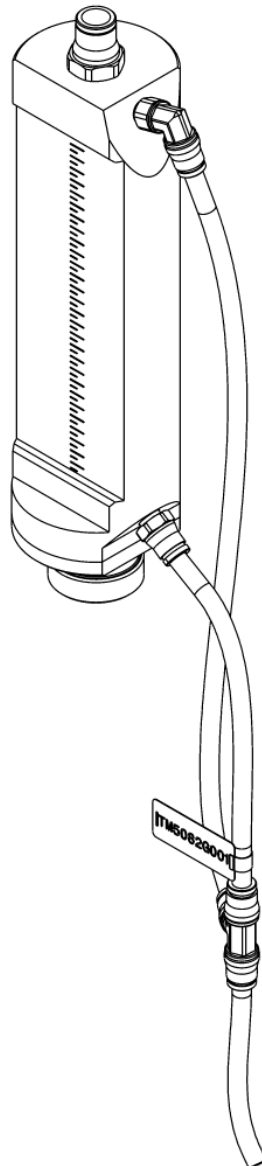
	TOOL			P/N	DESCRIPTION	QTY
	OT No.	Ind.	Ind.			
I	30 0460			TM5158G002	DRAINAGE PIPE	1

- ITEM NOT ILLUSTRATED

NP NON PROCURABLE

TM5082G001

Description: COLLECTOR AND MEASURING TOOL



SAFRAN HELICOPTER ENGINES

ARRIEL 2 C1

MAINTENANCE TOOLS CATALOG

<i>Description</i>	<i>Part Number</i>
COLLECTOR AND MEASURING TOOL	TM5082G001

<i>This tool replaces the tool</i>

<i>Supply code</i>	<i>Calibration frequency</i>	<i>Functional criteria check</i>
3 - 2	N/A	N/A

<i>Use</i>	
------------	--

<i>Use particularity</i>	
--------------------------	--

<i>Alternate</i>	<i>Part Number</i>	<i>Description</i>

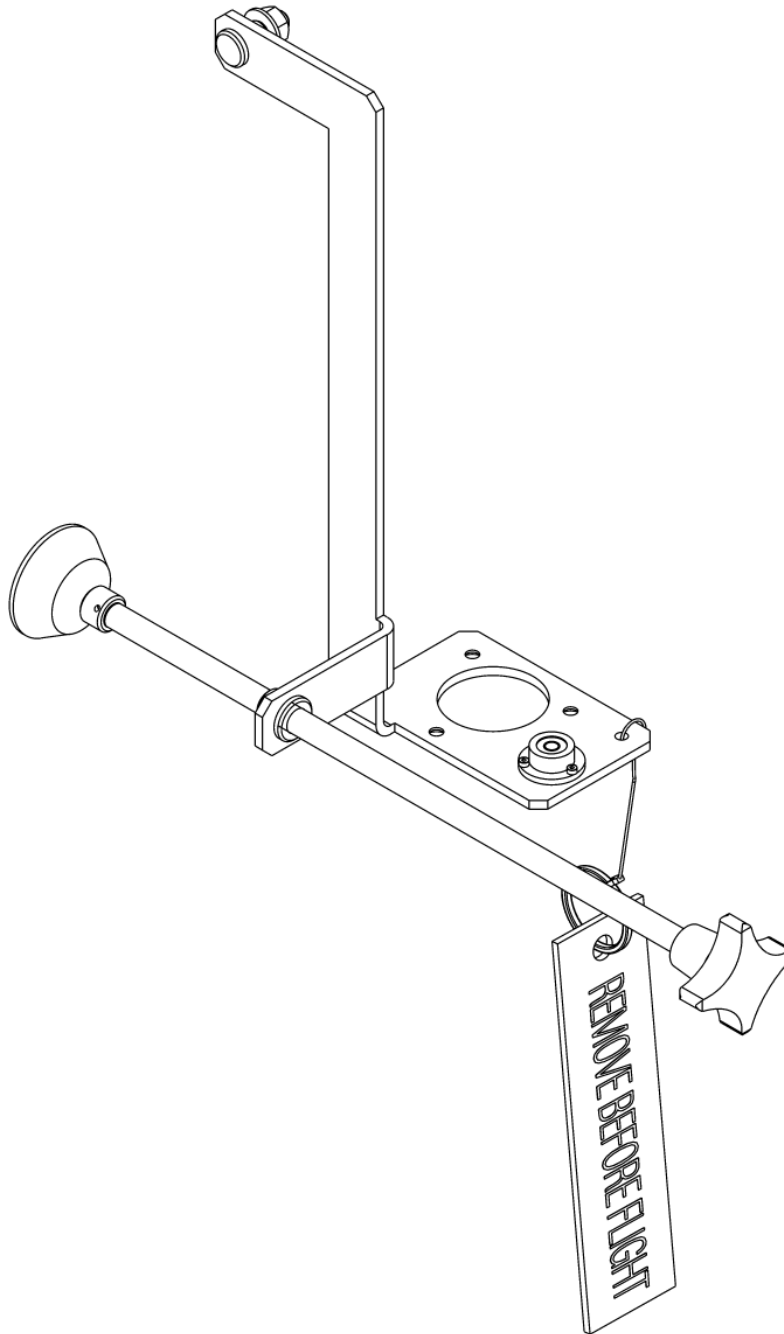
	TOOL			P/N	DESCRIPTION	QTY
	OT No.	Ind.	Ind.			
1	30 0470			TM5082G001	COLLECTOR AND MEASURING TOOL	1

- ITEM NOT ILLUSTRATED

NP NON PROCURABLE

TM5083G001

Description: SUPPORT TOOL



SAFRAN HELICOPTER ENGINES

ARRIEL 2 C1

MAINTENANCE TOOLS CATALOG

<i>Description</i>	<i>Part Number</i>
SUPPORT TOOL	TM5083G001

<i>This tool replaces the tool</i>

<i>Supply code</i>	<i>Calibration frequency</i>	<i>Functional criteria check</i>
3 - 2	N/A	N/A

<i>Use</i>	
------------	--

<i>Use particularity</i>	
--------------------------	--

<i>Alternate</i>	<i>Part Number</i>	<i>Description</i>

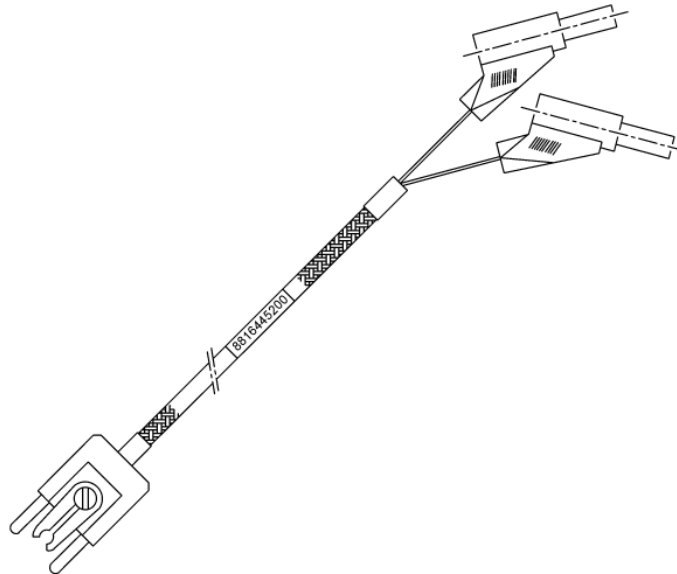
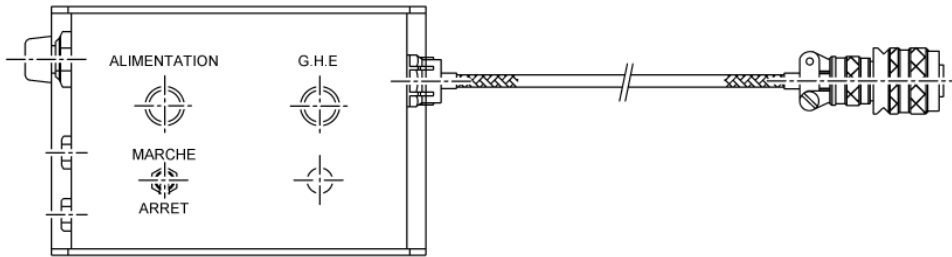
TOOL				P/N	DESCRIPTION	QTY
OT No.	Ind.	Ind.		1 2 3		
30 0480			TM5083G001	SUPPORT TOOL		1

- ITEM NOT ILLUSTRATED

NP NON PROCURABLE

8816445000

Description: CONTROL UNIT



SAFRAN HELICOPTER ENGINES

ARRIEL 2 C1

MAINTENANCE TOOLS CATALOG

<i>Description</i>	<i>Part Number</i>
CONTROL UNIT	8816445000

<i>This tool replaces the tool</i>

<i>Supply code</i>	<i>Calibration frequency</i>	<i>Functional criteria check</i>
3 - 2	N/A	N/A

<i>Use</i>	
------------	--

<i>Use particularity</i>	
--------------------------	--

<i>Alternate</i>	<i>Part Number</i>	<i>Description</i>

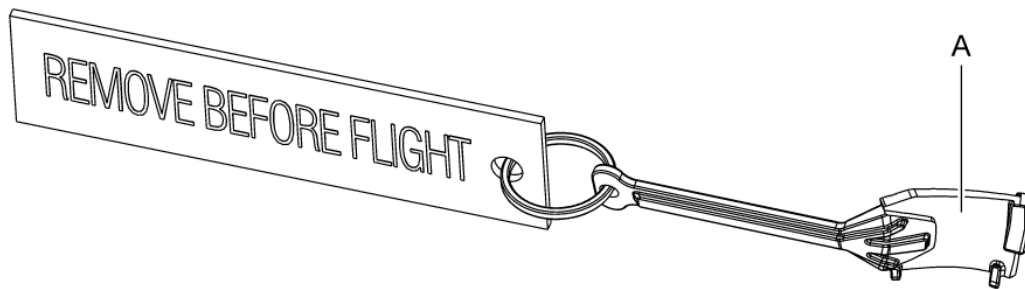
	TOOL			P/N	DESCRIPTION	QTY
	OT No.	Ind.	Ind.			
I	30 0510			8816445000	CONTROL UNIT	1

- ITEM NOT ILLUSTRATED

NP NON PROCURABLE

TM6935G001

Description: EROSION GAGE



<i>Description</i>	<i>Part Number</i>
EROSION GAGE	TM6935G001

<i>This tool replaces the tool</i>

<i>Supply code</i>	<i>Calibration frequency</i>	<i>Functional criteria check</i>
3 - 1	36	N/A

<i>Use</i>	Tool used to check the erosion of the axial compressor blades.
------------	--

<i>Use particularity</i>	
--------------------------	--

<i>Alternate</i>	<i>Part Number</i>	<i>Description</i>
	TM0131G003 TM0131G004	AXIAL WHEEL EROSION TOOL

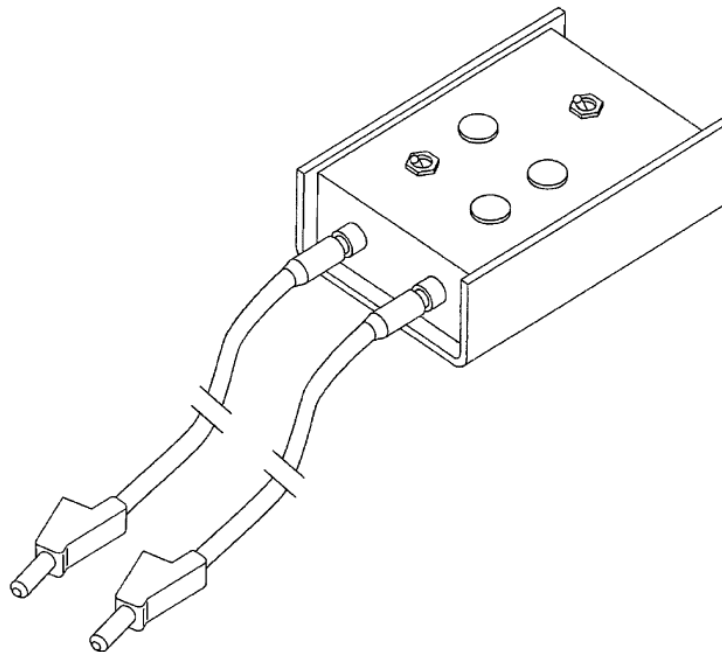
TOOL				P/N	DESCRIPTION	QTY
OT No.	Ind.	Ind.		1 2 3		
30 7200			TM6935G001	EROSION GAGE		1
30 7200	A		TM6935P001	. GAGE		1

- ITEM NOT ILLUSTRATED

NP NON PROCURABLE

8815661000

Description: CONTROL UNIT (OPEN/CLOSED CONTACT)



SAFRAN HELICOPTER ENGINES

ARRIEL 2 C1

MAINTENANCE TOOLS CATALOG

<i>Description</i>	<i>Part Number</i>
CONTROL UNIT (OPEN/CLOSED CONTACT)	8815661000

<i>This tool replaces the tool</i>

<i>Supply code</i>	<i>Calibration frequency</i>	<i>Functional criteria check</i>
3 - 2	N/A	N/A

<i>Use</i>	Tool necessary for the test procedures of the bleed valve.
------------	--

<i>Use particularity</i>	
--------------------------	--

<i>Alternate</i>	<i>Part Number</i>	<i>Description</i>

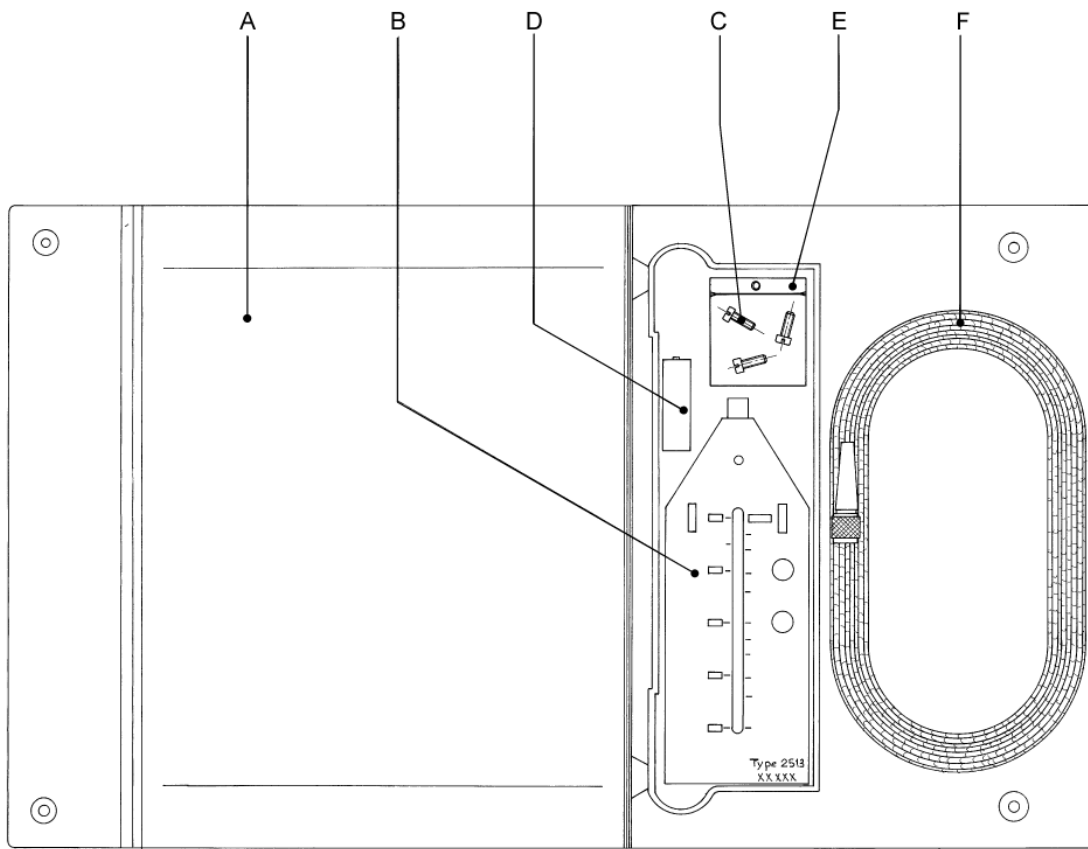
	TOOL			P/N	DESCRIPTION	QTY
	OT No.	Ind.	Ind.			
I	40 0010			8815661000	CONTROL UNIT (OPEN/CLOSED CONTACT)	1

- ITEM NOT ILLUSTRATED

NP NON PROCURABLE

8816694000

Description: VIBRATION MEASURING KIT



SAFRAN HELICOPTER ENGINES

ARRIEL 2 C1

MAINTENANCE TOOLS CATALOG

<i>Description</i>	<i>Part Number</i>
VIBRATION MEASURING KIT	8816694000

<i>This tool replaces the tool</i>

<i>Supply code</i>	<i>Calibration frequency</i>	<i>Functional criteria check</i>
3 - 1	12	N/A

Use	Tool used to check the overall engine vibration level.
------------	--

Use particularity	It is used with tool accelerometer 9610017700 B&K 8324
--------------------------	--

<i>Alternate</i>	<i>Part Number</i>	<i>Description</i>

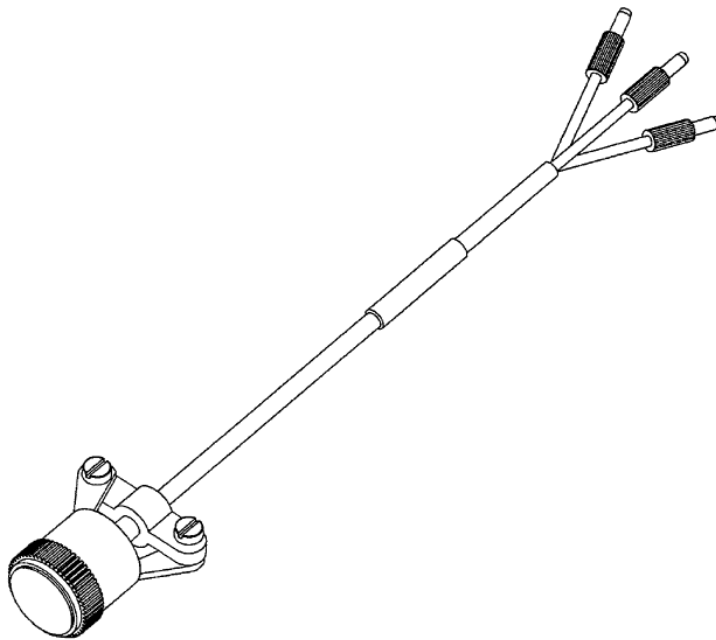
TOOL			P/N	DESCRIPTION	QTY
OT No.	Ind.	Ind.	1 2 3		
40 0020			8816694000	VIBRATION MEASURING KIT	1
40 0020	A		8816694101	. VIBRATION METER	1
40 0020	B		8816694103	. CABLE	1
40 0020	C		9848401229	. SCREW CHc M4X12	3
40 0020	D		9542110520	. BATTERY TYPE R6 1.5 V	3
40 0020	E		9678400120	. VINYL POCKET 45x110	1
40 0020	F		8816694103	. CABLE B&K WLO748	1

- ITEM NOT ILLUSTRATED

NP NON PROCURABLE

8816949000

Description: MONITORING HARNESS



SAFRAN HELICOPTER ENGINES

ARRIEL 2 C1

MAINTENANCE TOOLS CATALOG

<i>Description</i>	<i>Part Number</i>
MONITORING HARNESS	8816949000

<i>This tool replaces the tool</i>

<i>Supply code</i>	<i>Calibration frequency</i>	<i>Functional criteria check</i>
3 - 2	N/A	N/A

<i>Use</i>	Tool necessary for the test procedures of the bleed valve.
------------	--

<i>Use particularity</i>	
--------------------------	--

<i>Alternate</i>	<i>Part Number</i>	<i>Description</i>

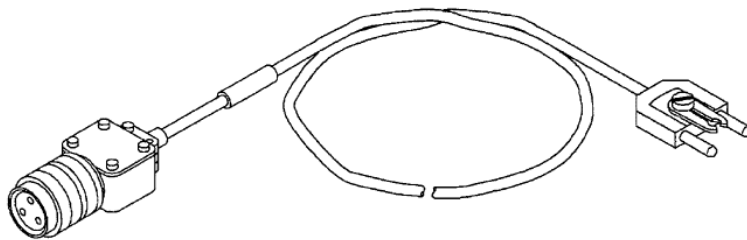
	TOOL			P/N	DESCRIPTION	QTY
	OT No.	Ind.	Ind.			
1	40 0030			8816949000	MONITORING HARNESS	1

- ITEM NOT ILLUSTRATED

NP NON PROCURABLE

8817367000

Description: POWER SUPPLY HARNESS



TURBOMECA ARRIEL 2 C1

MAINTENANCE TOOLS CATALOG

<i>Description</i>	<i>Part Number</i>
POWER SUPPLY HARNESS	8817367000

<i>This tool replaces the tool</i>

<i>Supply code</i>	<i>Calibration frequency</i>	<i>Functional criteria check</i>
3 - 2	N/A	N/A

Use	Tool used for the inspection and check procedures of the engine electrical harnesses. It supplies power from A/C 28 Vdc bus bar to the harness test set.
------------	--

Use particularity	It is used with tool 8819925000
--------------------------	---------------------------------

Alternate	<i>Part Number</i>	<i>Description</i>

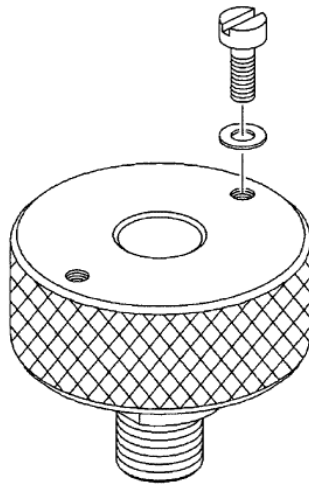
	TOOL			P/N	DESCRIPTION	QTY
	OT No.	Ind.	Ind.			
1	40 0040			8817367000	1 2 3 POWER SUPPLY HARNESS	1

- ITEM NOT ILLUSTRATED

NP NON PROCURABLE

8818339000

Description: ADAPTER FITTING



TURBOMECA ARRIEL 2 C1

MAINTENANCE TOOLS CATALOG

<i>Description</i>	<i>Part Number</i>
ADAPTER FITTING	8818339000

<i>This tool replaces the tool</i>

<i>Supply code</i>	<i>Calibration frequency</i>	<i>Functional criteria check</i>
3 - 2	N/A	N/A

Use	Tool required for the inspection and check procedures of the low oil pressure switch.
------------	---

Use particularity	IT IS USED WITH TOOL TM0807G001
--------------------------	---------------------------------

<i>Alternate</i>	<i>Part Number</i>	<i>Description</i>

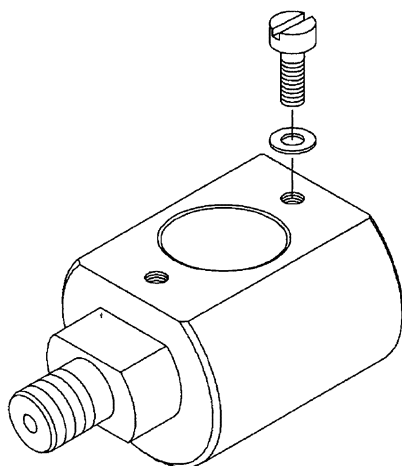
TOOL				P/N	DESCRIPTION	QTY
OT No.	Ind.	Ind.	1 2 3			
40 0060				8818339000	ADAPTER FITTING	1

- ITEM NOT ILLUSTRATED

NP NON PROCURABLE

8819387000

Description: ADAPTER, FITTING



TURBOMECA ARRIEL 2 C1

MAINTENANCE TOOLS CATALOG

<i>Description</i>	<i>Part Number</i>
ADAPTER, FITTING	8819387000

<i>This tool replaces the tool</i>

<i>Supply code</i>	<i>Calibration frequency</i>	<i>Functional criteria check</i>
3 - 2	N/A	N/A

Use	Tool used to do inspection and check procedures of the fuel filter pre-clogging pressure switch.
Use particularity	IT IS USED WITH TOOL TM0807G001

<i>Alternate</i>	<i>Part Number</i>	<i>Description</i>

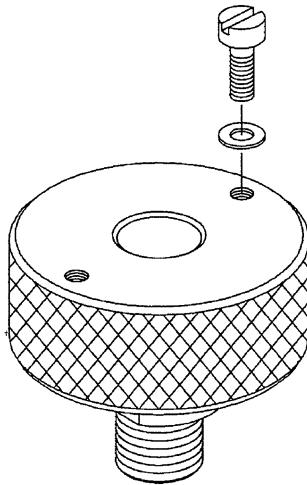
TOOL				P/N	DESCRIPTION	QTY
OT No.	Ind.	Ind.	1 2 3			
40 0070				8819387000	ADAPTER, FITTING	1

- ITEM NOT ILLUSTRATED

NP NON PROCURABLE

8819389000

Description: ADAPTER, FITTING



TURBOMECA ARRIEL 2 C1

MAINTENANCE TOOLS CATALOG

<i>Description</i>	<i>Part Number</i>
ADAPTER, FITTING	8819389000

<i>This tool replaces the tool</i>

<i>Supply code</i>	<i>Calibration frequency</i>	<i>Functional criteria check</i>
3 - 2	N/A	N/A

Use	Tool used to do inspection and check procedures of the low fuel pressure switch.
------------	--

Use particularity	IT IS USED WITH TOOL TM0807G001
--------------------------	---------------------------------

<i>Alternate</i>	<i>Part Number</i>	<i>Description</i>

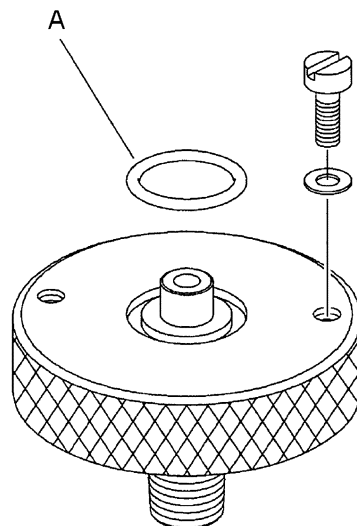
TOOL				P/N	DESCRIPTION	QTY
OT No.	Ind.	Ind.		1 2 3		
40 0080			8819389000	ADAPTER, FITTING		1

- ITEM NOT ILLUSTRATED

NP NON PROCURABLE

8819795000

Description: ADAPTER, FITTING



SAFRAN HELICOPTER ENGINES

ARRIEL 2 C1

MAINTENANCE TOOLS CATALOG

<i>Description</i>	<i>Part Number</i>
ADAPTER, FITTING	8819795000

<i>This tool replaces the tool</i>

<i>Supply code</i>	<i>Calibration frequency</i>	<i>Functional criteria check</i>
3 - 2	N/A	N/A

Use	Tool used to do inspection and check procedures of P3 air pressure transmitter.
------------	---

Use particularity	It is used with tool TM0807G001
--------------------------	---------------------------------

<i>Alternate</i>	<i>Part Number</i>	<i>Description</i>

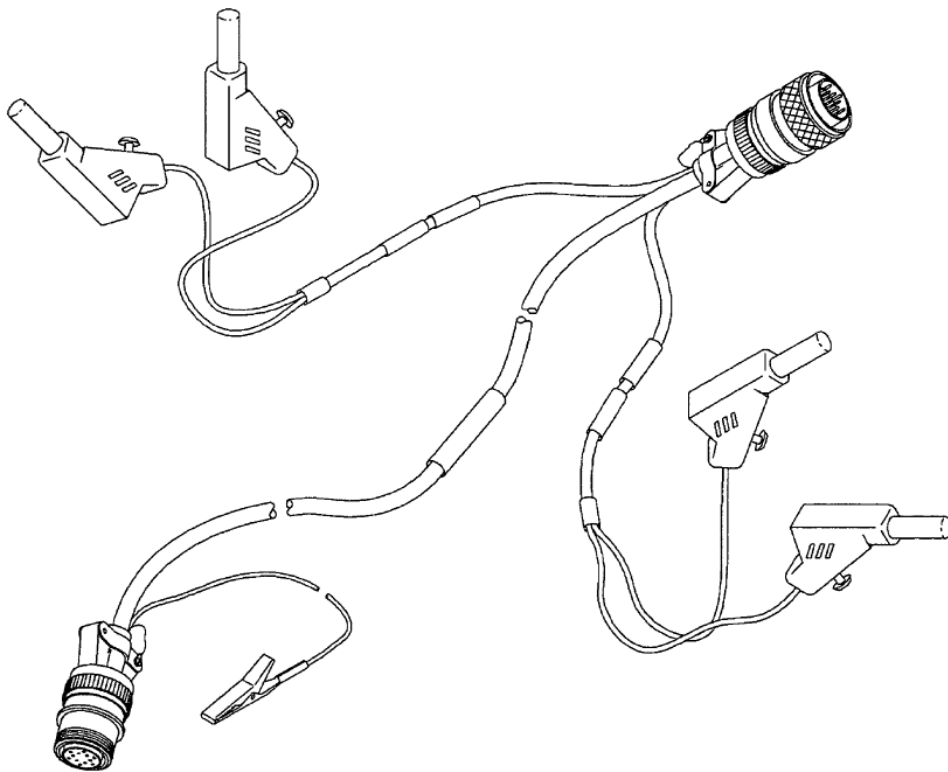
TOOL				P/N	DESCRIPTION	QTY
OT No.	Ind.	Ind.		1 2 3		
40 0090			8819795000	ADAPTER, FITTING		1
40 0090	A		9794410140	. PACKING, PREFORMED		1

- ITEM NOT ILLUSTRATED

NP NON PROCURABLE

8819796000

Description: HARNESS



SAFRAN HELICOPTER ENGINES

ARRIEL 2 C1

MAINTENANCE TOOLS CATALOG

<i>Description</i>	<i>Part Number</i>
HARNESS	8819796000

<i>This tool replaces the tool</i>

<i>Supply code</i>	<i>Calibration frequency</i>	<i>Functional criteria check</i>
3 - 2	N/A	N/A

Use	Tool required for the inspection and check procedures of P3 air pressure transmitter. It used as the interface between the aircraft power system, the P3 air pressure transmitter and a measuring device.
------------	---

Use particularity	
--------------------------	--

<i>Alternate</i>	<i>Part Number</i>	<i>Description</i>

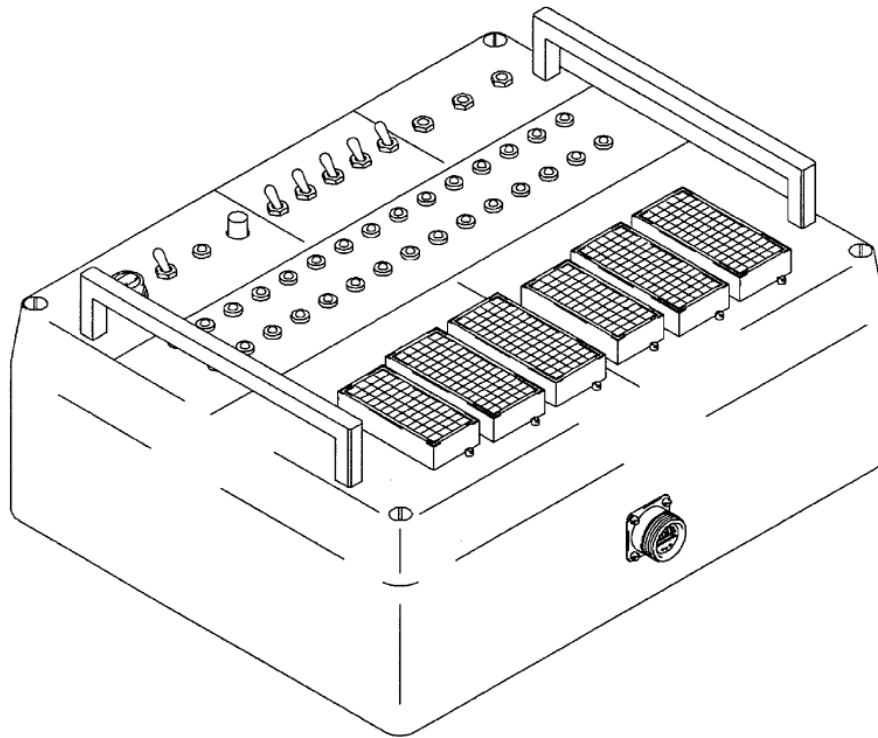
	TOOL			P/N	DESCRIPTION	QTY
	OT No.	Ind.	Ind.			
I	40 0100			8819796000	HARNESS	1

- ITEM NOT ILLUSTRATED

NP NON PROCURABLE

8819925000

Description: TEST SET ASSEMBLY, HARNESSSES



SAFRAN HELICOPTER ENGINES

ARRIEL 2 C1

MAINTENANCE TOOLS CATALOG

<i>Description</i>	<i>Part Number</i>
TEST SET ASSEMBLY, HARNESSSES	8819925000

<i>This tool replaces the tool</i>

<i>Supply code</i>	<i>Calibration frequency</i>	<i>Functional criteria check</i>
3 - 2	N/A	N/A

Use	Tool used to check the engine electrical harnesses. It checks harnesses insulation and electrical continuity.
------------	---

Use particularity	
--------------------------	--

<i>Alternate</i>	<i>Part Number</i>	<i>Description</i>
	TM4890G002	HARNESS TEST BOX

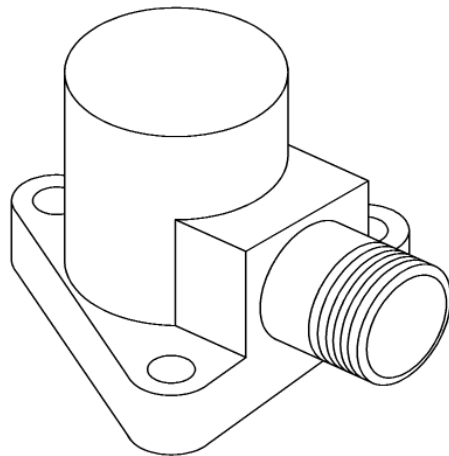
TOOL				P/N	DESCRIPTION	QTY
OT No.	Ind.	Ind.		1 2 3		
40 0110			8819925000	TEST SET ASSEMBLY, HARNESSSES	1	

- ITEM NOT ILLUSTRATED

NP NON PROCURABLE

9610017700

Description: ACCELEROMETER B&K 8324



SAFRAN HELICOPTER ENGINES

ARRIEL 2 C1

MAINTENANCE TOOLS CATALOG

<i>Description</i>	<i>Part Number</i>
ACCELEROMETER B&K 8324	9610017700

<i>This tool replaces the tool</i>

<i>Supply code</i>	<i>Calibration frequency</i>	<i>Functional criteria check</i>
3 - 1	12	N/A

<i>Use</i>	Tool used to check the engine vibration
------------	---

<i>Use particularity</i>	
--------------------------	--

<i>Alternate</i>	<i>Part Number</i>	<i>Description</i>

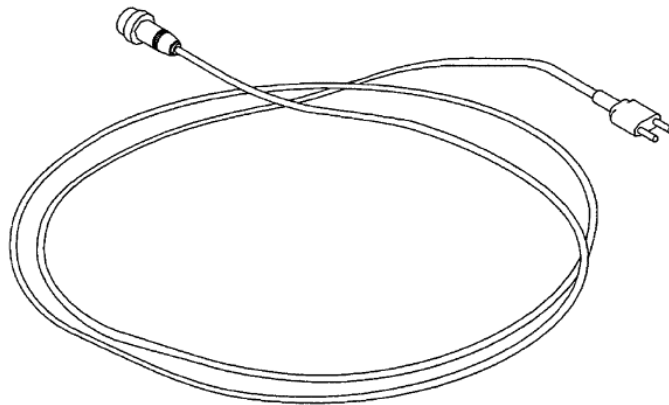
	TOOL			P/N	DESCRIPTION	QTY
	OT No.	Ind.	Ind.			
1	40 0140			9610017700	ACCELEROMETER B&K 8324	1

- ITEM NOT ILLUSTRATED

NP NON PROCURABLE

9610064500

Description: HELICOPTER POWER SUPPLY CABLE (SMA2.03.10)



SAFRAN HELICOPTER ENGINES

ARRIEL 2 C1

MAINTENANCE TOOLS CATALOG

<i>Description</i>	<i>Part Number</i>
HELICOPTER POWER SUPPLY CABLE (SMA2.03.10)	9610064500

<i>This tool replaces the tool</i>

<i>Supply code</i>	<i>Calibration frequency</i>	<i>Functional criteria check</i>
3 - 2	N/A	N/A

<i>Use</i>	28V power supply cable for the SEMIA SYNTHAM 2000.4 + PC TM0104G012 to check the engine vibration
------------	---

<i>Use particularity</i>	
--------------------------	--

<i>Alternate</i>	<i>Part Number</i>	<i>Description</i>

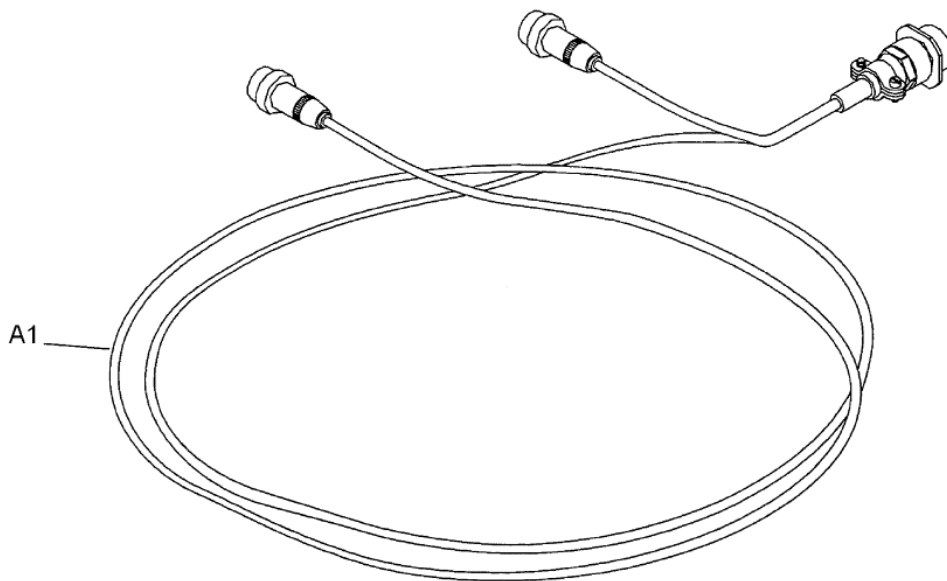
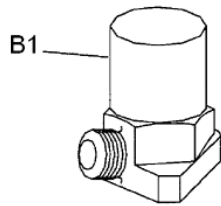
TOOL				P/N	DESCRIPTION	QTY
OT No.	Ind.	Ind.	1 2 3			
40 0150				9610064500	HELICOPTER POWER SUPPLY CABLE (SMA2.03.10)	1

- ITEM NOT ILLUSTRATED

NP NON PROCURABLE

TM1388G010

Description: VIBRATION TEST SET ASSY



SAFRAN HELICOPTER ENGINES

ARRIEL 2 C1

MAINTENANCE TOOLS CATALOG

<i>Description</i>	<i>Part Number</i>
VIBRATION TEST SET ASSY	TM1388G010

<i>This tool replaces the tool</i>

<i>Supply code</i>	<i>Calibration frequency</i>	<i>Functional criteria check</i>
3 - 1	12	N/A

Use	Tool required for characterizing the vibration behavior of the rotating assemblies.
------------	---

Use particularity	
--------------------------	--

<i>Alternate</i>	<i>Part Number</i>	<i>Description</i>

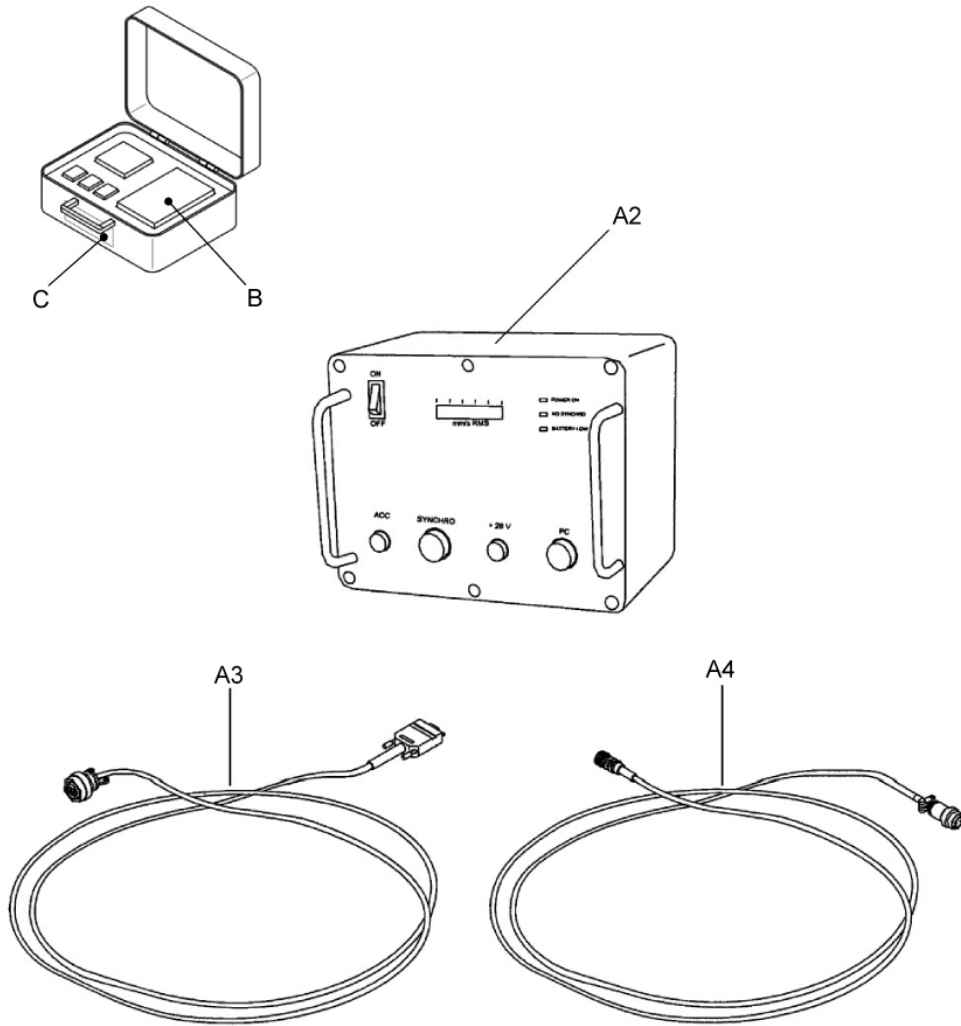
	TOOL			P/N	DESCRIPTION	QTY
	OT No.	Ind.	Ind.			
					1 2 3	
-	40 0160			TM1388G010	VIBRATION TEST SET ASSY	1
-	40 0160	A		TM1388G110	. SEMIA EQUIPMENT	1
	40 0160	A	1	9610068630	. . TACHOMETER CABLE SEMIA SAR 22-03-05	1
-	40 0160	A	2	9610084440	. . WORK CARD, EXTERNAL KIT SEMIA T.PVA.S2.01.067	1
-	40 0160	B		TM1388G210	. TURBOMECA EQUIPMENT	1
	40 0160	B	1	9610046360	. . ACCELEROMETER ENDEVCO 6233C-10	1
-	40 0160	B	2	9610017670	. . TEST SET	1
-	40 0160	B	3	1616040105	. . SCREW CHC M4x10 Inox	3

- ITEM NOT ILLUSTRATED

NP NON PROCURABLE

TM0104G012

Description: SEMIA SYNTHAM 2000.4 + PC



SAFRAN HELICOPTER ENGINES

ARRIEL 2 C1

MAINTENANCE TOOLS CATALOG

Description	Part Number
SEMIA SYNTHAM 2000.4 + PC	TM0104G012

<i>This tool replaces the tool</i>

Supply code	Calibration frequency	Functional criteria check
3 - 1	12	N/A

Use	Tool required for characterizing of the vibration behavior of the rotating assemblies.
Use particularity	

Alternate	Part Number	Description
	TM0104G010 or TM0104G011	SYNTHAM UNIT + PC

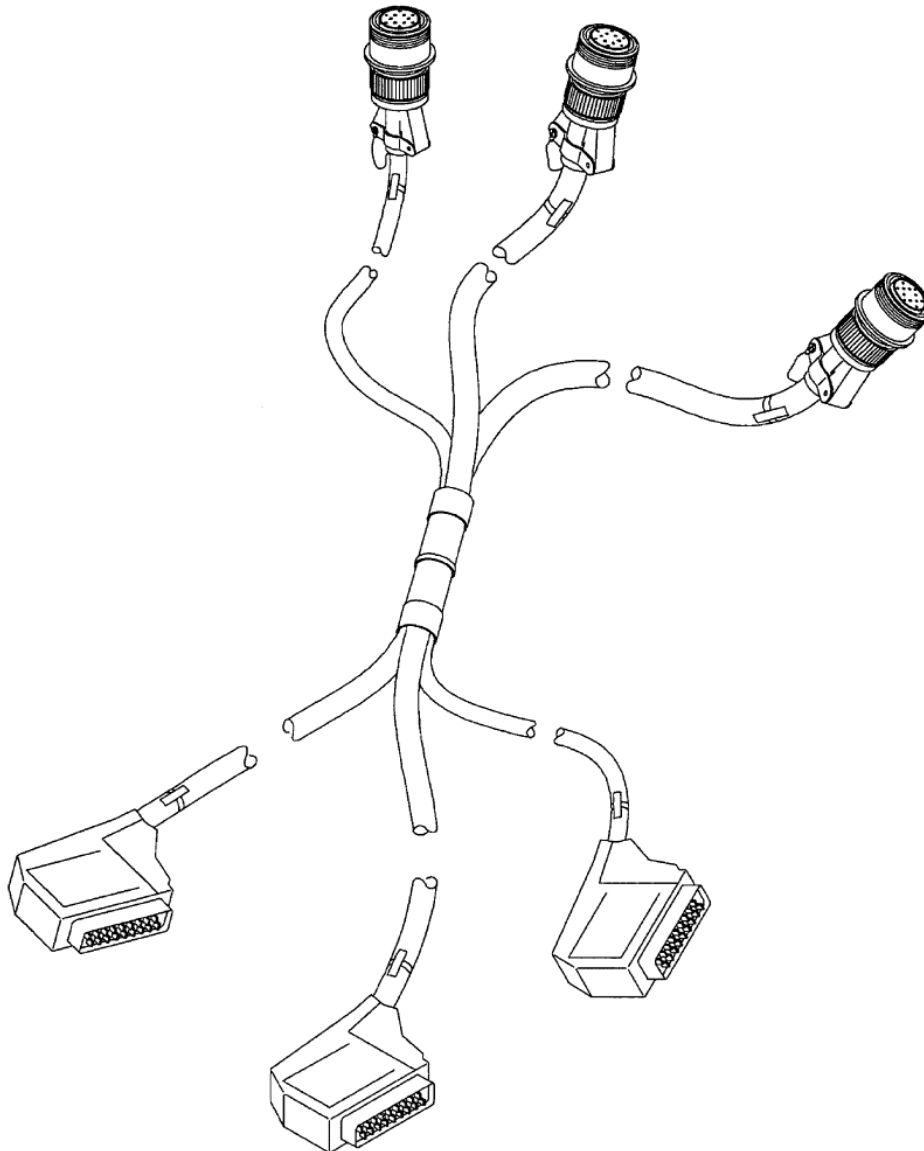
	TOOL			P/N	DESCRIPTION	QTY
	OT No.	Ind.	Ind.			
					1 2 3	
I	40 0180			TM0104G012	SEMIA SYNTHAM 2000.4 + PC	1
-	40 0180	A		TM0104G112	. SYNTHAM 2000.4/V3.1	1
-	40 0180	A	1	9610064590	. . TRANSPORT CASE (SEMIA S00-123)	1
	40 0180	A	2	9610090180	. . BOX ASSY (SEMIA S2000.4)	1
	40 0180	A	3	9610090190	. . PC CABLE (SPC2-04)	1
	40 0180	A	4	9610064560	. . ACCELEROMETER CABLE (SMA-03-01-12)	1
-	40 0180	A	5	9610068790	. . BATTERY CHARGER (SEMIA SMA2-04-01)	1
-	40 0180	A	6	9610084310	. . SOFTWARE BS2000 (SEMIA T.PVA.S2.98.999)	1
-	40 0180	A	7	9610084320	. . MANUAL BS2000 A/F (SEMIA T.DOC.S2.00.034)	1
-	40 0180	A	8	9610084330	. . SLIDE SOFTWARE CVM (SEMIA T.PVA.S2.98.1000)	1
-	40 0180	A	9	9610084340	. . MANUAL CVM A/F (SEMIA T.DOC.S2.00.039)	1
	40 0180	B		9610064600	. LAPTOP (SEMIA PC/S00-2000A)	1
	40 0180	C		8815099808	. LABEL	1

- ITEM NOT ILLUSTRATED

NP NON PROCURABLE

TM0393G003

Description: HARNESS



SAFRAN HELICOPTER ENGINES

ARRIEL 2 C1

MAINTENANCE TOOLS CATALOG

<i>Description</i>	<i>Part Number</i>
HARNESS	TM0393G003

<i>This tool replaces the tool</i>	TM0393G002
------------------------------------	-------------------

<i>Supply code</i>	<i>Calibration frequency</i>	<i>Functional criteria check</i>
3 - 2	N/A	N/A

Use	Tool used for the inspection and check procedures of the engine electrical harnesses. It makes the interface between the harness test set and the engine electrical harnesses.
------------	--

Use particularity	It is used with tools 8819925000 and TM0394G002
--------------------------	---

<i>Alternate</i>	<i>Part Number</i>	<i>Description</i>
	TM4899G001	HARNESS

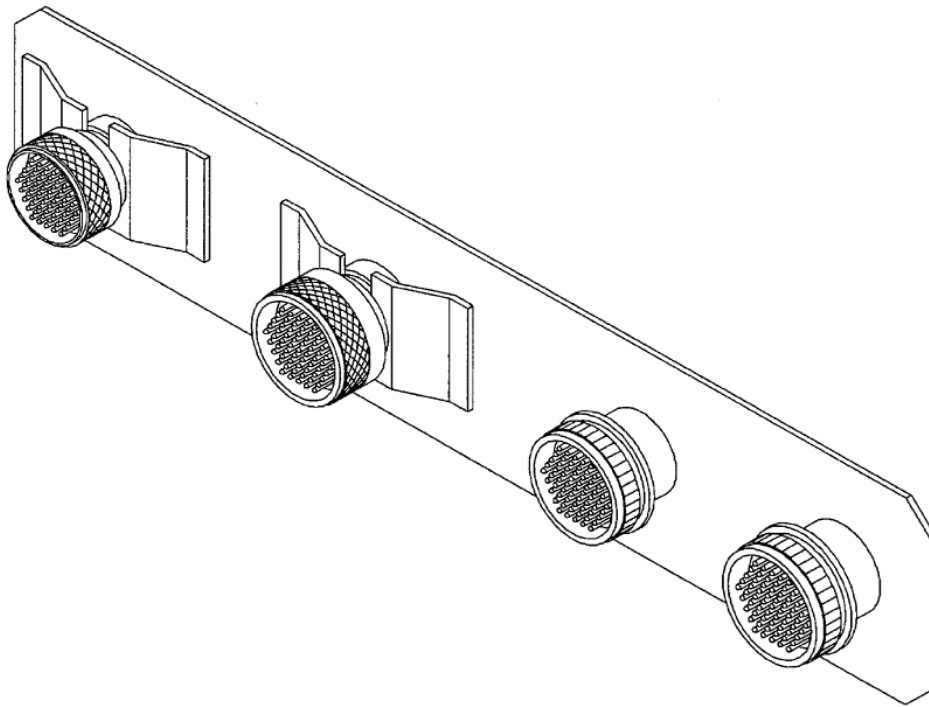
	TOOL			P/N	DESCRIPTION	QTY
	OT No.	Ind.	Ind.			
I	40 0250			TM0393G003	HARNESS	1

- ITEM NOT ILLUSTRATED

NP NON PROCURABLE

TM0394G002

Description: CONNECTORS, SET, FOR THE SELF-TEST



SAFRAN HELICOPTER ENGINES

ARRIEL 2 C1

MAINTENANCE TOOLS CATALOG

<i>Description</i>	<i>Part Number</i>
CONNECTORS, SET, FOR THE SELF-TEST	TM0394G002

<i>This tool replaces the tool</i>	TM0394G001
------------------------------------	------------

<i>Supply code</i>	<i>Calibration frequency</i>	<i>Functional criteria check</i>
3 - 2	N/A	N/A

<i>Use</i>	Tool used for the inspection and check procedures of the engine electrical harnesses.
------------	---

<i>Use particularity</i>	It is used with tools 8819925000 and TM0393G003
--------------------------	---

<i>Alternate</i>	<i>Part Number</i>	<i>Description</i>

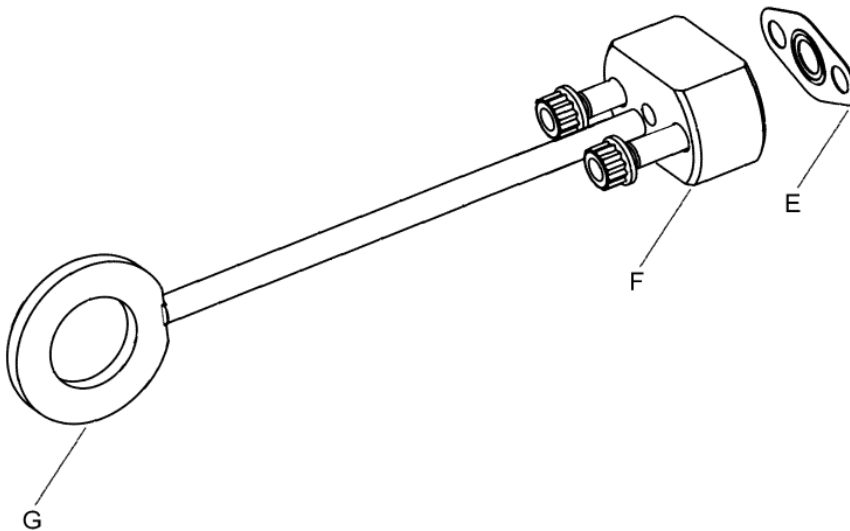
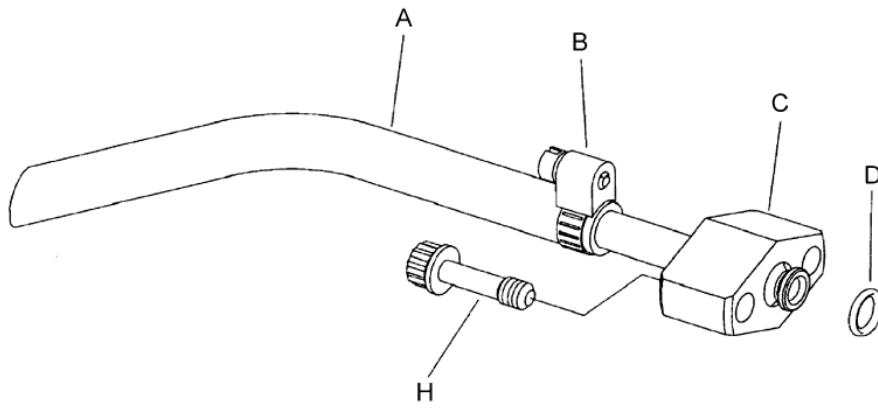
	TOOL			P/N	DESCRIPTION	QTY
	OT No.	Ind.	Ind.			
I	40 0260			TM0394G002	CONNECTORS, SET, FOR THE SELF-TEST	1

- ITEM NOT ILLUSTRATED

NP NON PROCURABLE

TM2230G001

Description: TOOL FOR LEAKAGE TEST



SAFRAN HELICOPTER ENGINES

ARRIEL 2 C1

MAINTENANCE TOOLS CATALOG

Description	Part Number
TOOL FOR LEAKAGE TEST	TM2230G001

<i>This tool replaces the tool</i>

Supply code	Calibration frequency	Functional criteria check
3 - 2	N/A	N/A

Use	Tools used to do a leakage test at P3 inlet of start electrovalve.
------------	--

Use particularity	
--------------------------	--

Alternate	Part Number	Description

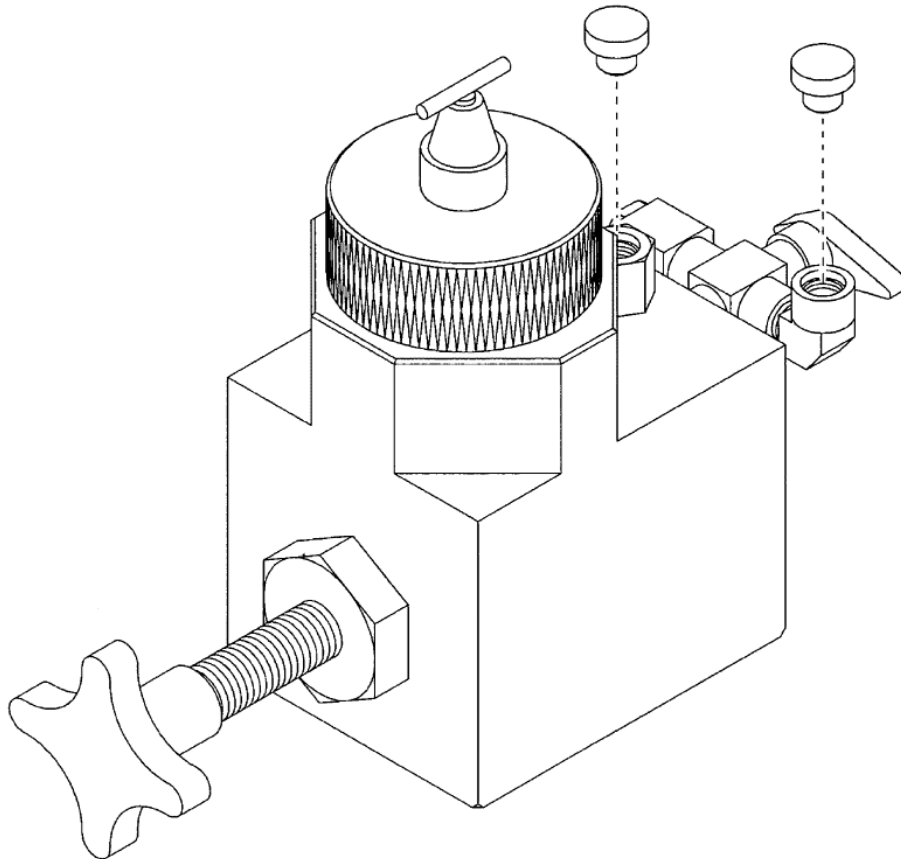
TOOL				P/N	DESCRIPTION	QTY
OT No.	Ind.	Ind.		1 2 3		
40 0270			TM2230G001	TOOL FOR LEAKAGE TEST		1
40 0270	A		TM2230P004	. PIPE		1
40 0270	B		TM2230P006	. CLAMP		1
40 0270	C		TM2230P001	. FLANGE		1
40 0270	D		TM2230P005	. PACKING, PREFORMED		1
40 0270	E		9945000060	. CORRUJOINT		1
40 0270	F		TM2230P002	. BLANK		1
40 0270	G		TM2230P007	. EXTRACTOR		1
40 0270	H		9836405022	. BOLT		4

- ITEM NOT ILLUSTRATED

NP NON PROCURABLE

TM0807G001

Description: GENERATING TOOL, HYDRAULIC PRESSURE



<i>Description</i>	<i>Part Number</i>
GENERATING TOOL, HYDRAULIC PRESSURE	TM0807G001

<i>This tool replaces the tool</i>

<i>Supply code</i>	<i>Calibration frequency</i>	<i>Functional criteria check</i>
3 - 2	N/A	N/A

<i>Use</i>	Tool used to do inspection and check procedures of the pressure switches.
------------	---

<i>Use particularity</i>	It is used with tools 8819387000, 8819389000, TM1609G001, 8819795000, 8818339000,8818457000 and TM0831G001
--------------------------	--

<i>Alternate</i>	<i>Part Number</i>	<i>Description</i>
	8818870000	GENERATING TOOL, HYDRAULIC PRESSURE

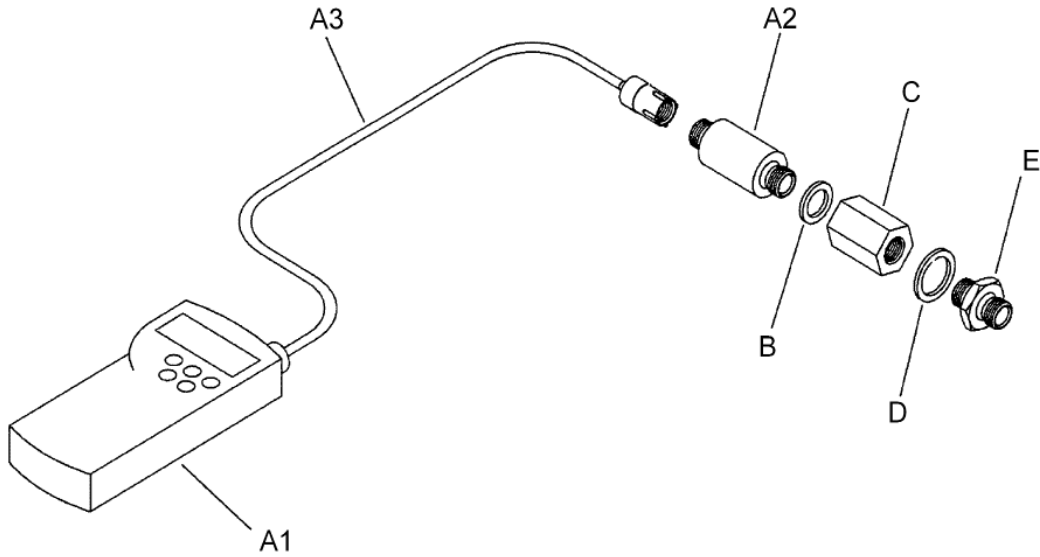
TOOL				P/N	DESCRIPTION	QTY
OT No.	Ind.	Ind.		1 2 3		
40 0280			TM0807G001	GENERATING TOOL, HYDRAULIC PRESSURE	1	

- ITEM NOT ILLUSTRATED

NP NON PROCURABLE

TM1609G001

Description: PRESSURE GAGE, POCKET, ASSEMBLY



SAFRAN HELICOPTER ENGINES

ARRIEL 2 C1

MAINTENANCE TOOLS CATALOG

Description	Part Number
PRESSURE GAGE, POCKET, ASSEMBLY	TM1609G001

<i>This tool replaces the tool</i>	8818457000
------------------------------------	-------------------

Supply code	Calibration frequency	Functional criteria check
3 - 1	12	N/A

Use	Tool used to do inspection and check procedures of the pressure switches.
------------	---

Use particularity	It is used with tool TM0807G001
--------------------------	---------------------------------

Alternate	Part Number	Description
	TM1609G002 or 8818457000 or TM0831G001	PRESSURE GAGE, POCKET, ASSEMBLY

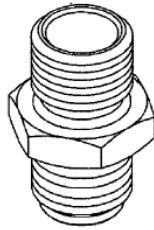
	TOOL			P/N	DESCRIPTION	QTY
	OT No.	Ind.	Ind.			
I -	40 0290			TM1609G001	PRESSURE GAGE, POCKET, ASSEMBLY	1
	40 0290	A		TM1608G001	. MEASURING SYSTEM	1
	40 0290	A	1	TM1608P001	. . DIGITAL INDICATOR	1
	40 0290	A	2	TM1608P002	. . SENSOR PRESSURE	1
	40 0290	A	3	TM1608P003	. . SHIELED CONNECTION HARNESS	1
	40 0290	B		9752010044	. FLAT SEAL	1
	40 0290	C		8815099420	. ADAPTER	1
	40 0290	D		9752014044	. FLAT SEAL	1
	40 0290	E		9770060034	. DOUBLE UNION	1

- ITEM NOT ILLUSTRATED

NP NON PROCURABLE

TM1743G002

Description: JET UNION



SAFRAN HELICOPTER ENGINES

ARRIEL 2 C1

MAINTENANCE TOOLS CATALOG

<i>Description</i>	<i>Part Number</i>
JET UNION	TM1743G002

<i>This tool replaces the tool</i>	TM1743G001
------------------------------------	------------

<i>Supply code</i>	<i>Calibration frequency</i>	<i>Functional criteria check</i>
3 - 2	N/A	N/A

<i>Use</i>	Tool necessary for the test procedures of the bleed valve.
------------	--

<i>Use particularity</i>	
--------------------------	--

<i>Alternate</i>	<i>Part Number</i>	<i>Description</i>

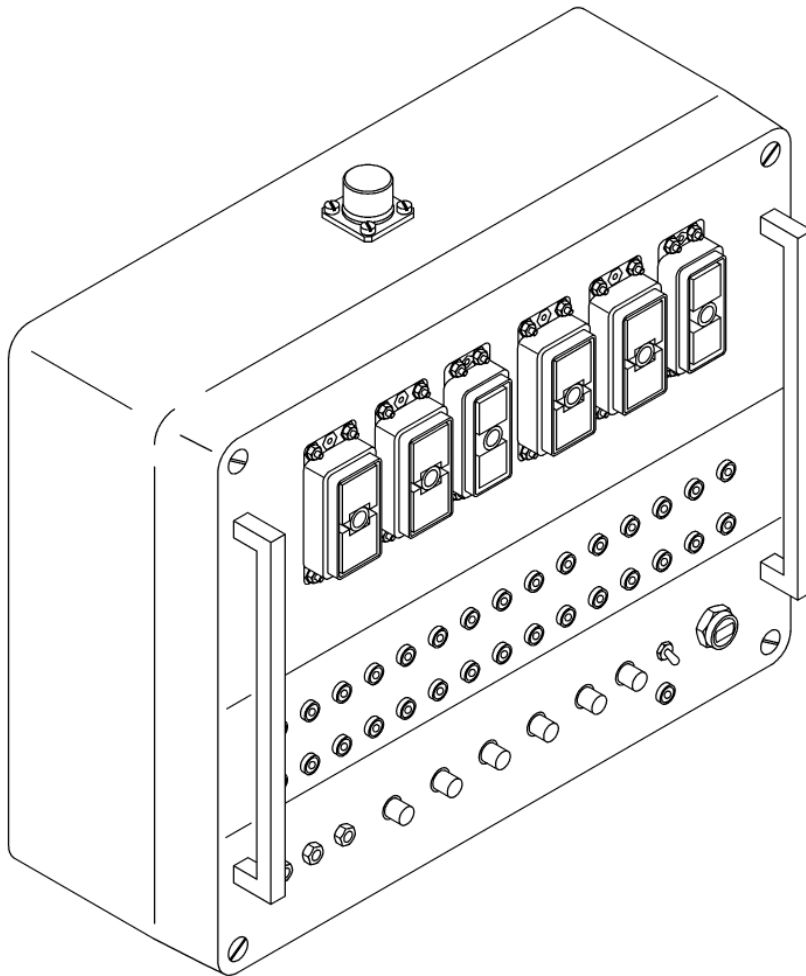
	TOOL			P/N	DESCRIPTION	QTY
	OT No.	Ind.	Ind.			
I	40 0300			TM1743G002	JET UNION	1

- ITEM NOT ILLUSTRATED

NP NON PROCURABLE

TM4890G002

Description: HARNESS TEST BOX



SAFRAN HELICOPTER ENGINES

ARRIEL 2 C1

MAINTENANCE TOOLS CATALOG

Description	Part Number
HARNESS TEST BOX	TM4890G002

<i>This tool replaces the tool</i>

Supply code	Calibration frequency	Functional criteria check
1 - 2	N/A	N/A

Use	
------------	--

Use particularity	
--------------------------	--

Alternate	Part Number	Description
	8819925000	TEST SET ASSEMBLY, HARNESSSES

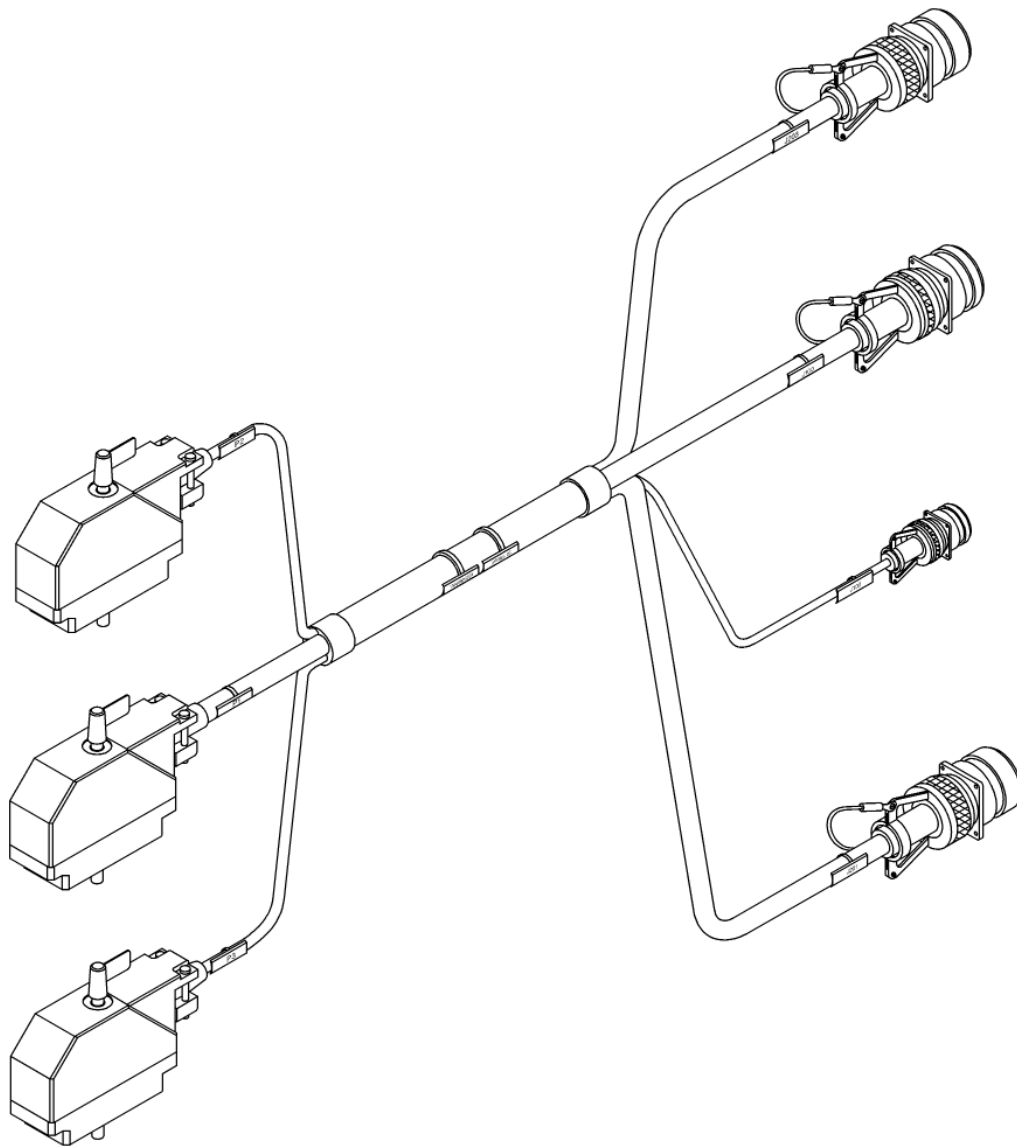
	TOOL			P/N	DESCRIPTION	QTY
	OT No.	Ind.	Ind.			
					1 2 3	
I	40 0350			TM4890G002	HARNESS TEST BOX	1
-	40 0350	A		TM4890P001	. BOX	1
-	40 0350	B		TM4890P002	. SPACER	1
-	40 0350	C		TM1164G001	. CONTINUITY CARD	1
-	40 0350	D		8815099832	. PLATE FIRME	1

- ITEM NOT ILLUSTRATED

NP NON PROCURABLE

TM4899G001

Description: HARNESS



SAFRAN HELICOPTER ENGINES

ARRIEL 2 C1

MAINTENANCE TOOLS CATALOG

<i>Description</i>	<i>Part Number</i>
HARNESS	TM4899G001

<i>This tool replaces the tool</i>

<i>Supply code</i>	<i>Calibration frequency</i>	<i>Functional criteria check</i>
1 -	N/A	N/A

<i>Use</i>	Insulation control tool
------------	-------------------------

<i>Use particularity</i>	
--------------------------	--

<i>Alternate</i>	<i>Part Number</i>	<i>Description</i>
	TM0393G003	HARNESS

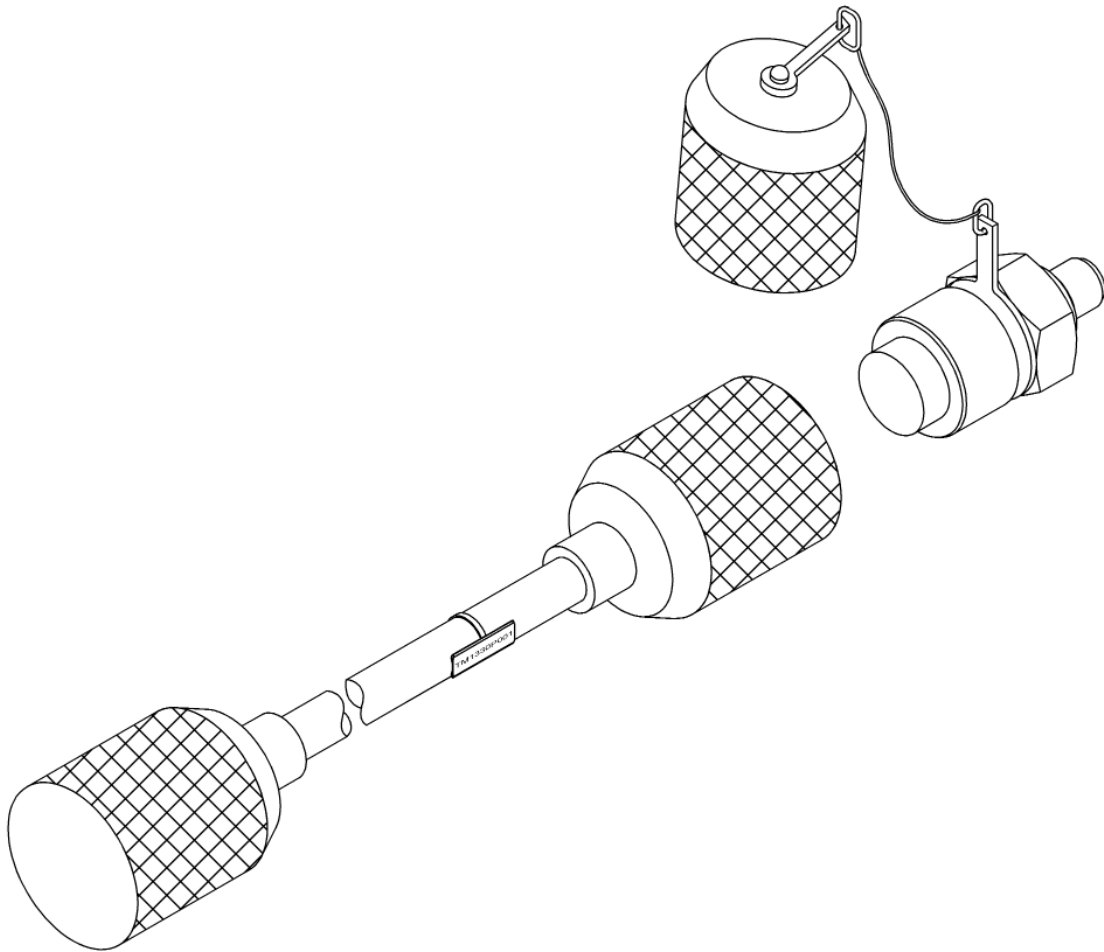
TOOL				P/N	DESCRIPTION	QTY
OT No.	Ind.	Ind.		1 2 3		
40 0400			TM4899G001	HARNESS		1

- ITEM NOT ILLUSTRATED

NP NON PROCURABLE

TM1330G001

Description: FLEXIBLE PIPE



SAFRAN HELICOPTER ENGINES

ARRIEL 2 C1

MAINTENANCE TOOLS CATALOG

<i>Description</i>		<i>Part Number</i>
FLEXIBLE PIPE		TM1330G001
<i>This tool replaces the tool</i>		
<i>Supply code</i>	<i>Calibration frequency</i>	<i>Functional criteria check</i>
3 - 2	N/A	N/A
<i>Use</i>		
<i>Use particularity</i>		
<i>Alternate</i>	<i>Part Number</i>	<i>Description</i>

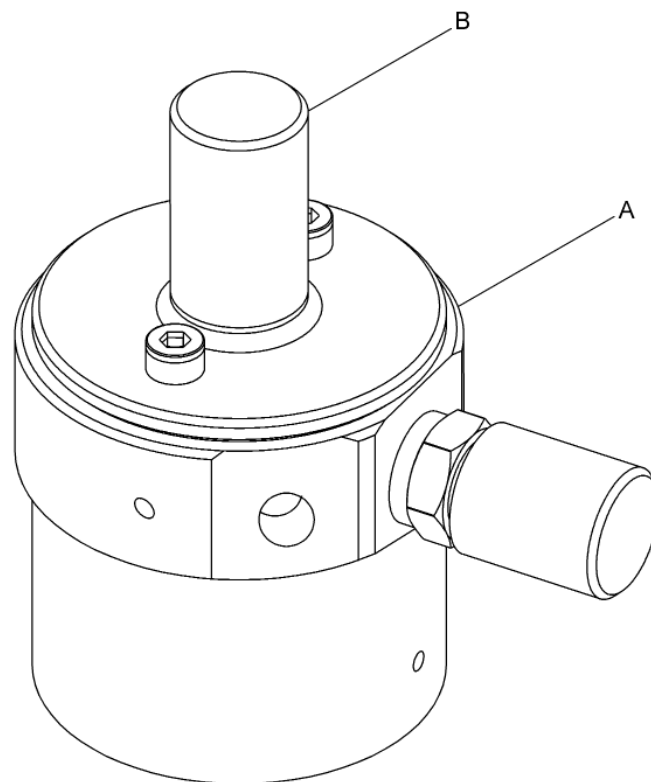
	TOOL			P/N	DESCRIPTION	QTY
	OT No.	Ind.	Ind.			
I	40 0440			TM1330G001	FLEXIBLE PIPE	1

- ITEM NOT ILLUSTRATED

NP NON PROCURABLE

TM5076G002

Description: SUPPORT



SAFRAN HELICOPTER ENGINES

ARRIEL 2 C1

MAINTENANCE TOOLS CATALOG

<i>Description</i>	<i>Part Number</i>
SUPPORT	TM5076G002

<i>This tool replaces the tool</i>

<i>Supply code</i>	<i>Calibration frequency</i>	<i>Functional criteria check</i>
3 - 2	N/A	N/A

<i>Use</i>	
------------	--

<i>Use particularity</i>	
--------------------------	--

<i>Alternate</i>	<i>Part Number</i>	<i>Description</i>

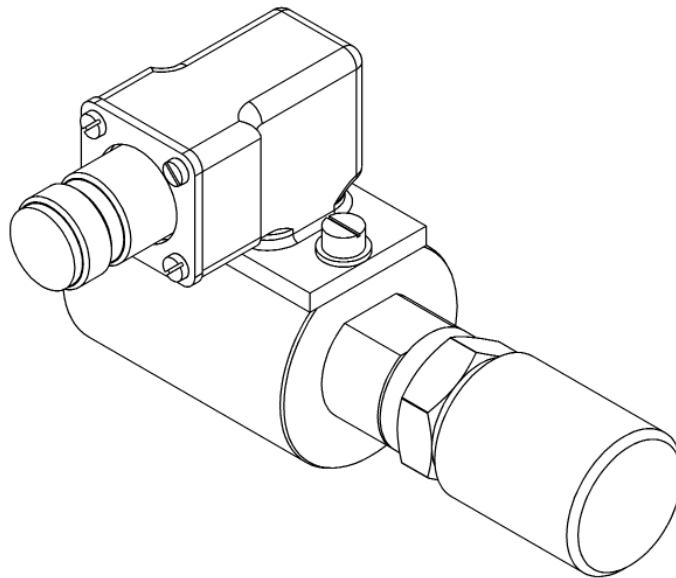
	TOOL			P/N	DESCRIPTION	QTY
	OT No.	Ind.	Ind.			
	40 0450			TM5076G002	SUPPORT	1
	40 0450	A		TM5076P004	. SUPPORT	1
	40 0450	B		TM5076P005	. COVER	1

- ITEM NOT ILLUSTRATED

NP NON PROCURABLE

TM2421G002

Description: ADAPTER, FITTING



TURBOMECA ARRIEL 2 C1

MAINTENANCE TOOLS CATALOG

<i>Description</i>	<i>Part Number</i>
ADAPTER, FITTING	TM2421G002

<i>This tool replaces the tool</i>

<i>Supply code</i>	<i>Calibration frequency</i>	<i>Functional criteria check</i>
3 - 2	N/A	N/A

<i>Use</i>	
------------	--

<i>Use particularity</i>	
--------------------------	--

<i>Alternate</i>	<i>Part Number</i>	<i>Description</i>

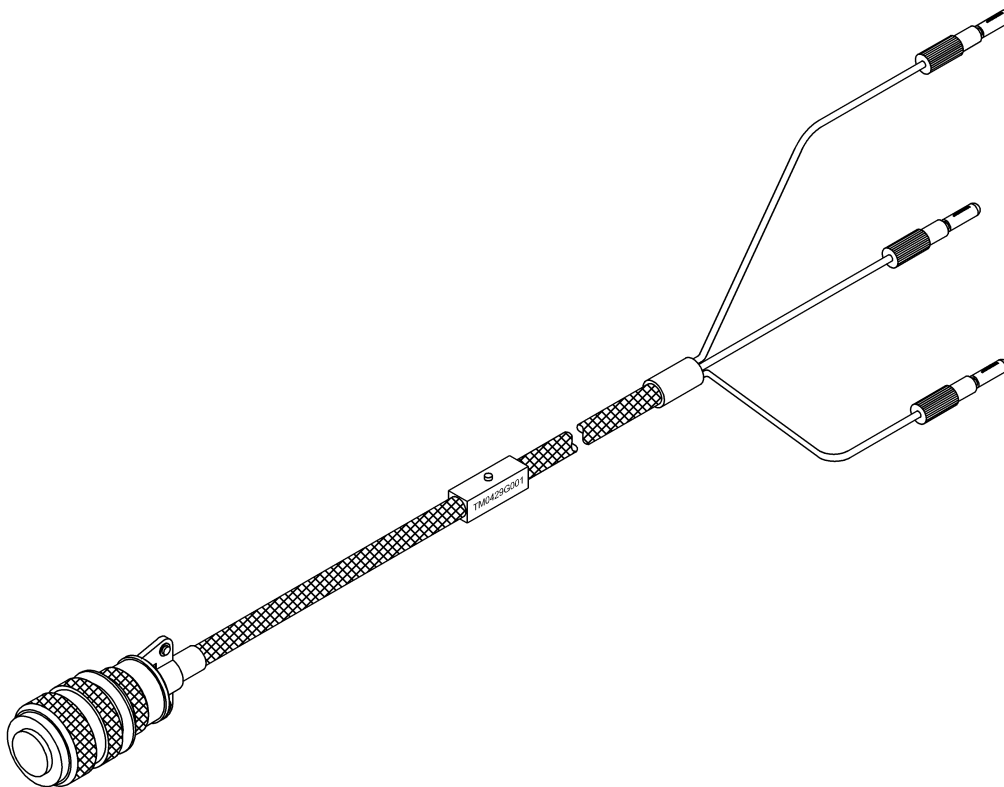
	TOOL			P/N	DESCRIPTION	QTY
	OT No.	Ind.	Ind.			
1	40 0510			TM2421G002	ADAPTER, FITTING	1

- ITEM NOT ILLUSTRATED

NP NON PROCURABLE

TM0429G001

Description: HARNESS



SAFRAN HELICOPTER ENGINES

ARRIEL 2 C1

MAINTENANCE TOOLS CATALOG

<i>Description</i>	<i>Part Number</i>
HARNESS	TM0429G001

<i>This tool replaces the tool</i>

<i>Supply code</i>	<i>Calibration frequency</i>	<i>Functional criteria check</i>
3 - 2	N/A	N/A

<i>Use</i>	
------------	--

<i>Use particularity</i>	
--------------------------	--

<i>Alternate</i>	<i>Part Number</i>	<i>Description</i>

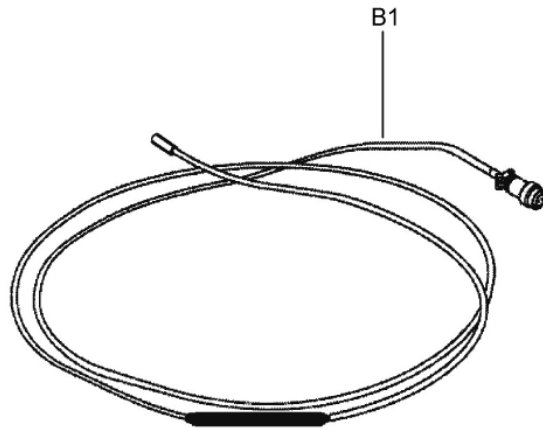
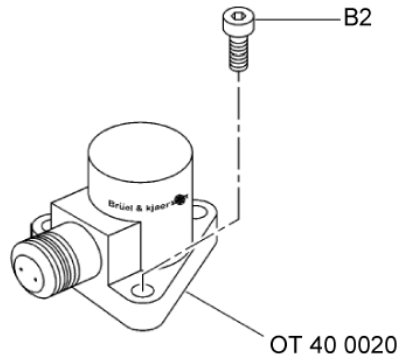
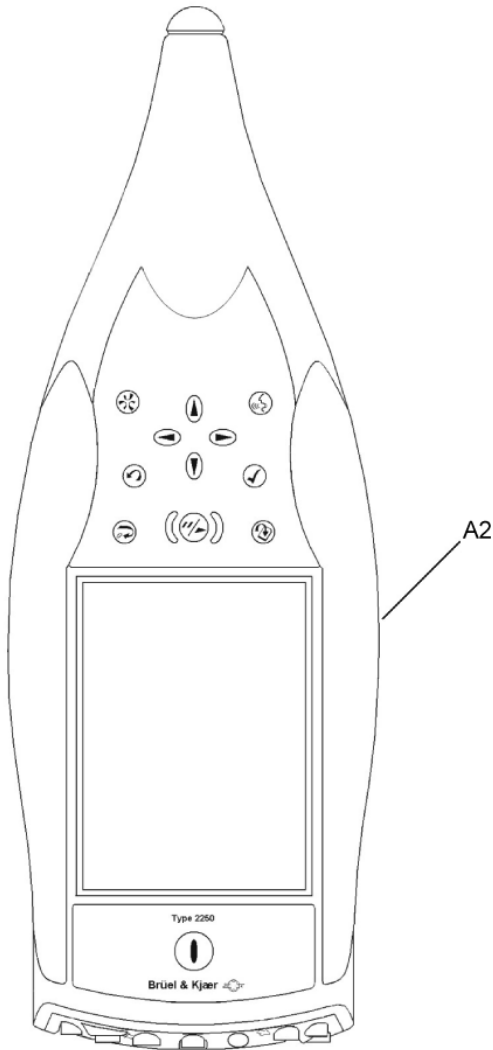
TOOL				P/N	DESCRIPTION	QTY
OT No.	Ind.	Ind.		1 2 3		
40 0520			TM0429G001	HARNESS		1

- ITEM NOT ILLUSTRATED

NP NON PROCURABLE

TM4865G001

Description: VIBRATION CHECK KIT B&K 3656-A



SAFRAN HELICOPTER ENGINES

ARRIEL 2 C1

MAINTENANCE TOOLS CATALOG

Description	Part Number
VIBRATION CHECK KIT B&K 3656-A	TM4865G001

<i>This tool replaces the tool</i>

Supply code	Calibration frequency	Functional criteria check
3 - 1	12	N/A

Use	Tool used to check the overall engine vibration
------------	---

Use particularity	Use with Accelerometer 9610017700 B&K 8324 included in the Packaging and measure kit B&K 8324-G-002 (TM5352G001).
--------------------------	---

Alternate	Part Number	Description

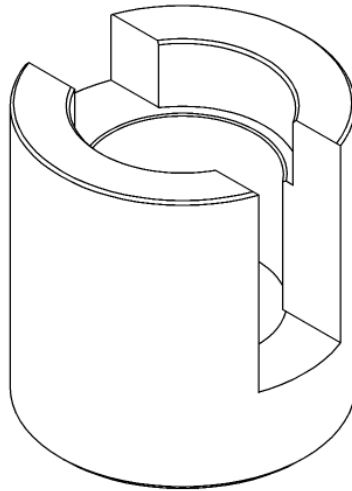
TOOL				P/N	DESCRIPTION	QTY
OT No.	Ind.	Ind.		1 2 3		
40 0530				TM4865G001	VIBRATION CHECK KIT B&K 3656-A	1
- 40 0530	A			TM5351G001	. ACQUISITION SYSTEM B&K 2250-H-100	1
- 40 0530	A	1		TM5351G101	. . PACKAGING B&K 8324-G-002	1
40 0530	A	2		TM5351G201	. . VIBRATION ANALYSER B&K 2250-H-001	NP
- 40 0530	A	3		TM5351P201	. . BOX ASSY B&K 2250	NP
- 40 0530	A	4		TM5351P202	. . BATTERY B&K QB-0061	1
- 40 0530	A	5		TM5351P203	. . HINGED COVER B&K FB-0679	1
- 40 0530	A	6		TM5351P204	. . PROTECTION PLUG B&K DD-0594	1
- 40 0530	A	7		TM5351G301	. . SD CARD 2GB B&K UL-1009	1
- 40 0530	A	8		TM5351G401	. . SIGNAL RECORDING SOFTWARE B&K BZ-7226	NP
- 40 0530	A	9		TM5351G501	. . A/C ADAPTATOR B&K ZG-0426	1
- 40 0530	A	10		TM5351G601	. . USB / MICRO USB ADAPTATOR B&K AO-1494	1
- 40 0530	A	11		TM5351G701	. . STYLET B&K UA-1654	5
- 40 0530	B			TM5352G001	. PACKAGING AND MEASURE KIT B&K 8324-G-002	1
40 0530	B	1		TM5352G101	. . ACCELEROMETER CABLE + LOAD AMPLIFIER B&K 2647-D-004	1
40 0530	B	2		1616040107	. . SCREW CHC M4X10 B&K YS-8407	3

- ITEM NOT ILLUSTRATED

NP NON PROCURABLE

TA5150G001

Description: IMPERVIOUS SUPPORT



SAFRAN HELICOPTER ENGINES

ARRIEL 2 C1

MAINTENANCE TOOLS CATALOG

<i>Description</i>	<i>Part Number</i>
IMPERVIOUS SUPPORT	TA5150G001

<i>This tool replaces the tool</i>

<i>Supply code</i>	<i>Calibration frequency</i>	<i>Functional criteria check</i>
3 - 2	N/A	N/A

<i>Use</i>	
------------	--

<i>Use particularity</i>	
--------------------------	--

<i>Alternate</i>	<i>Part Number</i>	<i>Description</i>

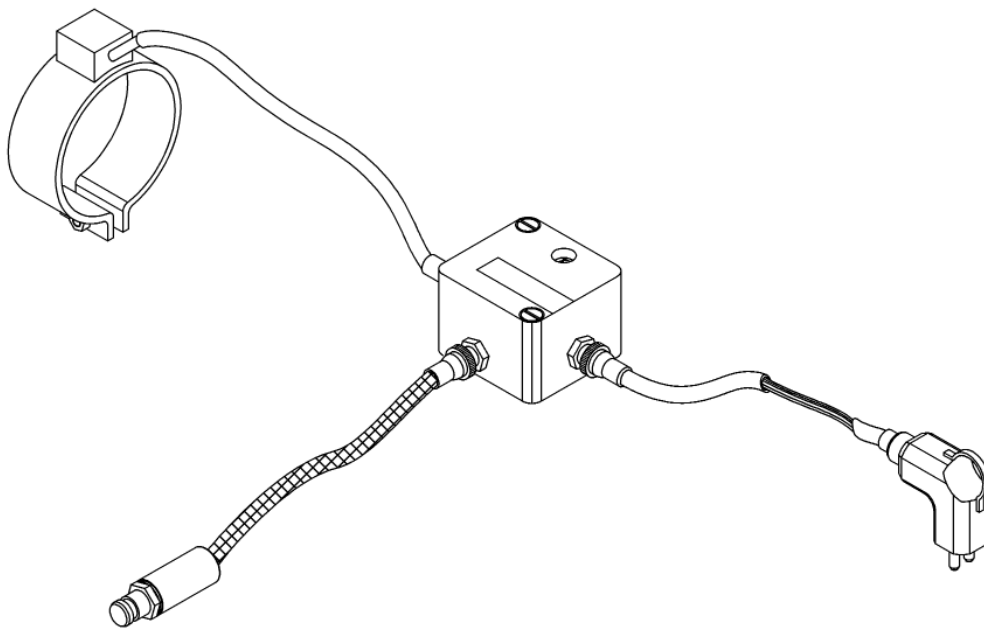
	TOOL			P/N	DESCRIPTION	QTY
	OT No.	Ind.	Ind.			
I	40 0540			TA5150G001	IMPERVIOUS SUPPORT	1

- ITEM NOT ILLUSTRATED

NP NON PROCURABLE

TM5040G001

Description: HEATING CLAMP EQUIPED



TURBOMECA ARRIEL 2 C1

<i>Description</i>	<i>Part Number</i>
HEATING CLAMP EQUIPED	TM5040G001

<i>This tool replaces the tool</i>

<i>Supply code</i>	<i>Calibration frequency</i>	<i>Functional criteria check</i>
3 - 2	N/A	N/A

<i>Use</i>	
------------	--

<i>Use particularity</i>	
--------------------------	--

<i>Alternate</i>	<i>Part Number</i>	<i>Description</i>

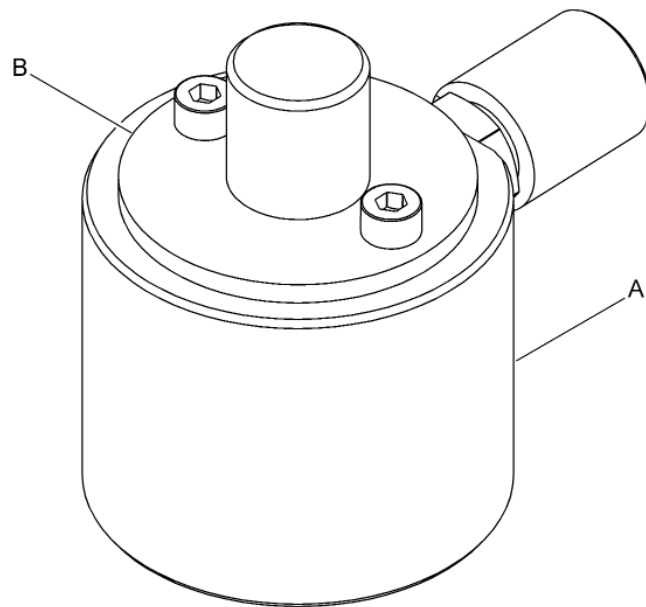
	TOOL			P/N	DESCRIPTION	QTY
	OT No.	Ind.	Ind.			
I	40 0550			TM5040G001	HEATING CLAMP EQUIPED	1

- ITEM NOT ILLUSTRATED

NP NON PROCURABLE

TM5596G001

Description: ADAPTER



SAFRAN HELICOPTER ENGINES

ARRIEL 2 C1

MAINTENANCE TOOLS CATALOG

<i>Description</i>	<i>Part Number</i>
ADAPTER	TM5596G001

<i>This tool replaces the tool</i>

<i>Supply code</i>	<i>Calibration frequency</i>	<i>Functional criteria check</i>
3 - 2	N/A	N/A

<i>Use</i>	
------------	--

<i>Use particularity</i>	
--------------------------	--

<i>Alternate</i>	<i>Part Number</i>	<i>Description</i>

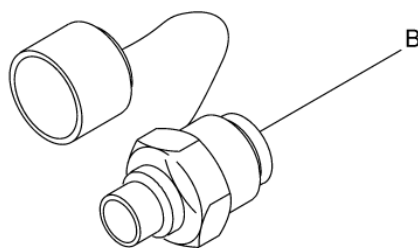
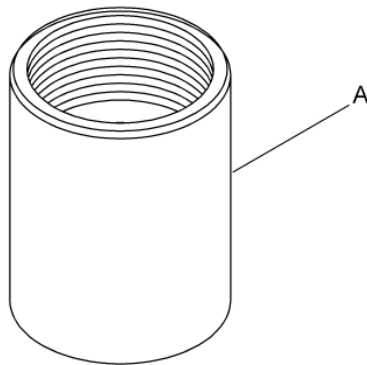
TOOL				P/N	DESCRIPTION	QTY
OT No.	Ind.	Ind.	1 2 3			
40 0560				TM5596G001	ADAPTER	1
40 0560	A			TM5596P001	. SUPPORT BLOC	1
40 0560	B			TM5596P002	. PLUG	1

- ITEM NOT ILLUSTRATED

NP NON PROCURABLE

TM5652G002

Description: ADAPTER



SAFRAN HELICOPTER ENGINES

ARRIEL 2 C1

MAINTENANCE TOOLS CATALOG

<i>Description</i>	<i>Part Number</i>
ADAPTER	TM5652G002

<i>This tool replaces the tool</i>	TM5652G001
------------------------------------	-------------------

<i>Supply code</i>	<i>Calibration frequency</i>	<i>Functional criteria check</i>
3 - 2	N/A	N/A

Use	Tool required for release of the oil pump check valve
------------	---

Use particularity	
--------------------------	--

<i>Alternate</i>	<i>Part Number</i>	<i>Description</i>

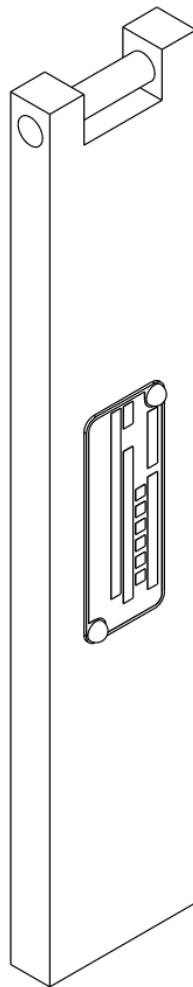
	TOOL			P/N	DESCRIPTION	QTY
	OT No.	Ind.	Ind.			
	40 0570			TM5652G002	ADAPTER	1
	40 0570	A		TM5652P001	. ADAPTER	1
	40 0570	B		2103014600	. SCREW CONNECTOR 1/8"NPT	1

- ITEM NOT ILLUSTRATED

NP NON PROCURABLE

TM2058G001

Description: CHECKING TOOL



SAFRAN HELICOPTER ENGINES

ARRIEL 2 C1

MAINTENANCE TOOLS CATALOG

<i>Description</i>	<i>Part Number</i>
CHECKING TOOL	TM2058G001

<i>This tool replaces the tool</i>

<i>Supply code</i>	<i>Calibration frequency</i>	<i>Functional criteria check</i>
3 - 1	36	N/A

<i>Use</i>	Used to check the electrical indicating magnetic plugs
------------	--

<i>Use particularity</i>	
--------------------------	--

<i>Alternate</i>	<i>Part Number</i>	<i>Description</i>

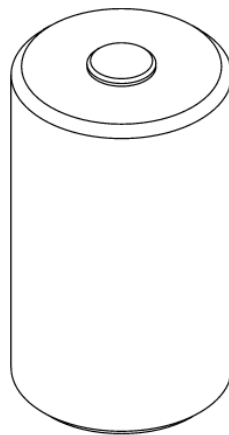
	TOOL			P/N	DESCRIPTION	QTY
	OT No.	Ind.	Ind.			
I	40 0610			TM2058G001	CHECKING TOOL	1

- ITEM NOT ILLUSTRATED

NP NON PROCURABLE

TM6940G001

Description: MASS



SAFRAN HELICOPTER ENGINES

ARRIEL 2 C1

MAINTENANCE TOOLS CATALOG

<i>Description</i>	<i>Part Number</i>
MASS	TM6940G001

<i>This tool replaces the tool</i>

<i>Supply code</i>	<i>Calibration frequency</i>	<i>Functional criteria check</i>
3 - 2	N/A	N/A

<i>Use</i>	
------------	--

<i>Use particularity</i>	
--------------------------	--

<i>Alternate</i>	<i>Part Number</i>	<i>Description</i>

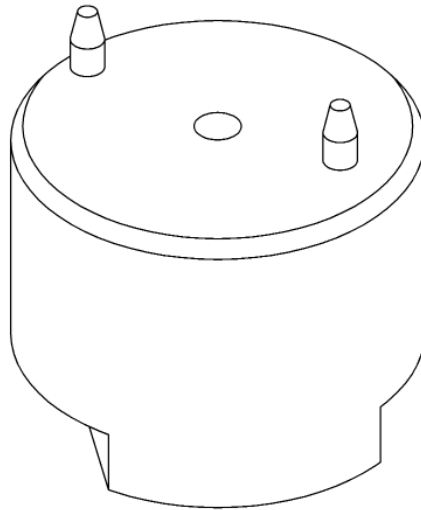
TOOL				P/N	DESCRIPTION	QTY
OT No.	Ind.	Ind.		1 2 3		
40 0640			TM6940G001	MASS		1

- ITEM NOT ILLUSTRATED

NP NON PROCURABLE

TM0373G001

Description: BASE



SAFRAN HELICOPTER ENGINES

ARRIEL 2 C1

MAINTENANCE TOOLS CATALOG

<i>Description</i>	<i>Part Number</i>
BASE	TM0373G001

<i>This tool replaces the tool</i>	8818693004
------------------------------------	------------

<i>Supply code</i>	<i>Calibration frequency</i>	<i>Functional criteria check</i>
3 - 2	N/A	N/A

<i>Use</i>	Tool used to install the sealing ring.
------------	--

<i>Use particularity</i>	
--------------------------	--

<i>Alternate</i>	<i>Part Number</i>	<i>Description</i>

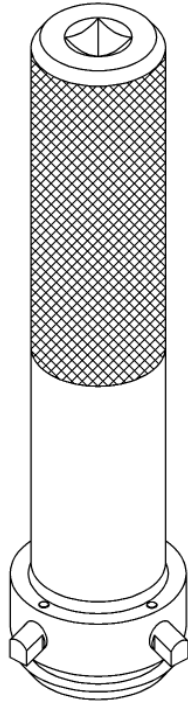
TOOL				P/N	DESCRIPTION	QTY
OT No.	Ind.	Ind.		1 2 3		
50 0010			TM0373G001	BASE		1

- ITEM NOT ILLUSTRATED

NP NON PROCURABLE

TM0515G002

Description: CASTLE WRENCH



SAFRAN HELICOPTER ENGINES

ARRIEL 2 C1

MAINTENANCE TOOLS CATALOG

<i>Description</i>		<i>Part Number</i>
CASTLE WRENCH		TM0515G002
<i>This tool replaces the tool</i>		TM0515G001
<i>Supply code</i>	<i>Calibration frequency</i>	<i>Functional criteria check</i>
3 - 2	N/A	N/A
<i>Use</i>	Tool used to position and hold the nut of the HP/LP pump.	
<i>Use particularity</i>		
<i>Alternate</i>	<i>Part Number</i>	<i>Description</i>

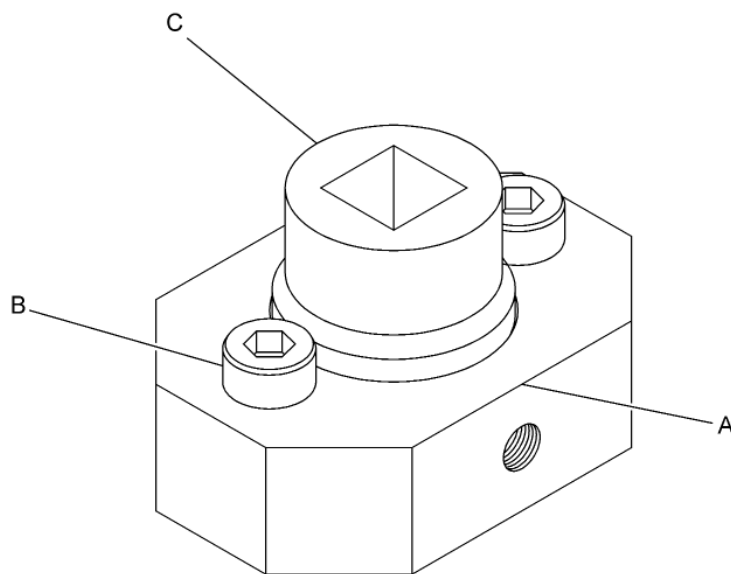
	TOOL			P/N	DESCRIPTION	QTY
	OT No.	Ind.	Ind.			
	50 0020			TM0515G002	CASTLE WRENCH	1
-	50 0020	A		TM0515P001	. WRENCH	1
-	50 0020	B		TM0515P002	. PACKING, PREFORMED	1

- ITEM NOT ILLUSTRATED

NP NON PROCURABLE

TM6338G001

Description: MOUNTING GUIDE



TURBOMECA ARRIEL 2 C1

<i>Description</i>	<i>Part Number</i>
MOUNTING GUIDE	TM6338G001

<i>This tool replaces the tool</i>

<i>Supply code</i>	<i>Calibration frequency</i>	<i>Functional criteria check</i>
3 - 2	N/A	N/A

<i>Use</i>	
------------	--

<i>Use particularity</i>	For assembly of tube POST TU 181 or TU 201
--------------------------	--

<i>Alternate</i>	<i>Part Number</i>	<i>Description</i>

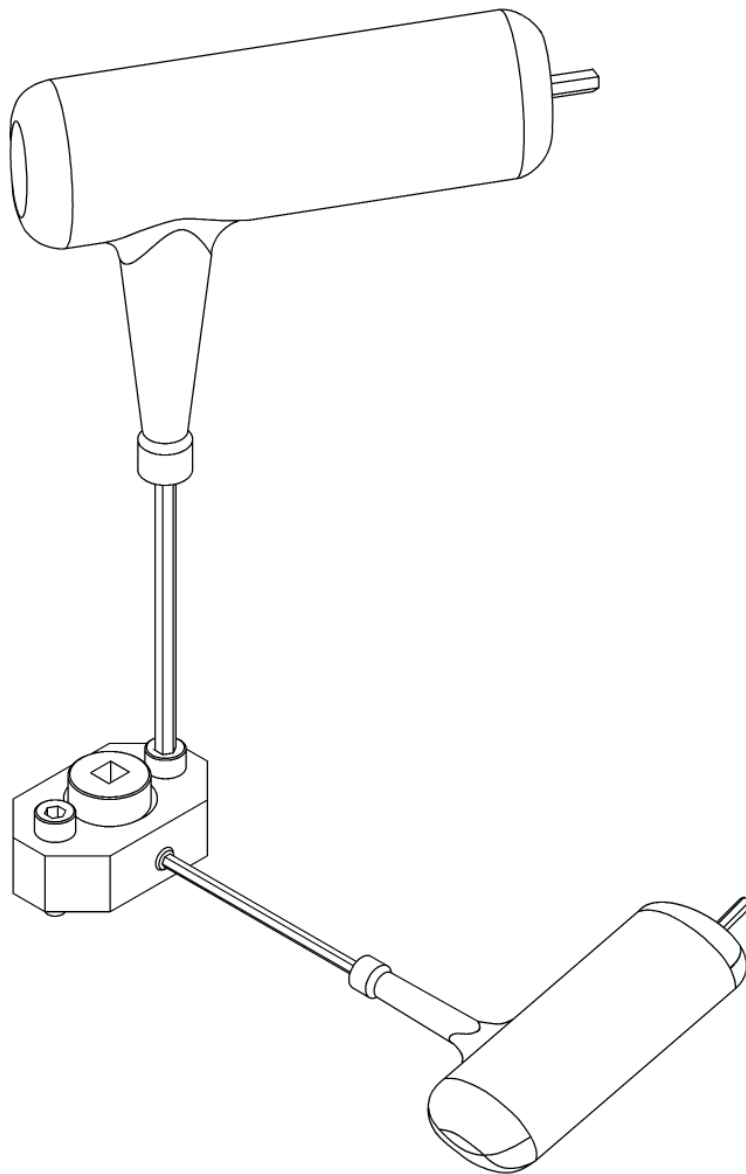
	TOOL			P/N	DESCRIPTION	QTY
	OT No.	Ind.	Ind.			
	50 0030			TM6338G001	MOUNTING GUIDE	1
	50 0030	A		TM6338P001	. CENTERING	3
	50 0030	B		TM6338P002	. CAPTIVE SCREW	6
	50 0030	C		TM6338P003	. METRIC 3/8" OGV COLLET	3

- ITEM NOT ILLUSTRATED

NP NON PROCURABLE

TM3174G001

Description: ASSEMBLY GUIDE



TURBOMECA ARRIEL 2 C1

Description	Part Number
ASSEMBLY GUIDE	TM3174G001

<i>This tool replaces the tool</i>

Supply code	Calibration frequency	Functional criteria check
3 - 2	N/A	N/A

Use	Used for centering and assembling ducts in rear bearing housing
-----	---

Use particularity	
-------------------	--

Alternate	Part Number	Description

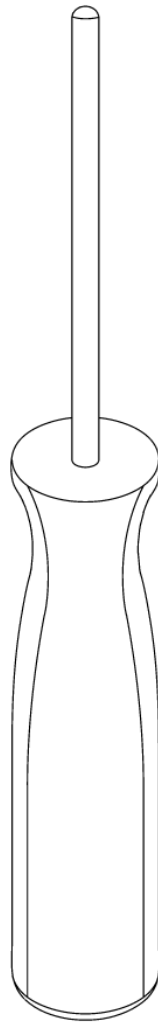
	TOOL			P/N	DESCRIPTION	QTY
	OT No.	Ind.	Ind.			
	50 3010			TM3174G001	ASSEMBLY GUIDE	1
-	50 3010	A		TM3174P001	. CENTERING	3
-	50 3010	B		TM3174P002	. CAPTIVE SCREW	6
-	50 3010	C		TM3174P003	. SLEEVE	3
-	50 3010	D		TM3174P004	. WRENCH	1
-	50 3010	E		TM3174P006	. WRENCH	1

- ITEM NOT ILLUSTRATED

NP NON PROCURABLE

TM6348G001

Description: FEELER GAUGE



TURBOMECA ARRIEL 2 C1

<i>Description</i>	<i>Part Number</i>
FEELER GAUGE	TM6348G001

<i>This tool replaces the tool</i>

<i>Supply code</i>	<i>Calibration frequency</i>	<i>Functional criteria check</i>
3 - 2	N/A	N/A

<i>Use</i>	Tool required to check the diameter of the jet union
------------	--

<i>Use particularity</i>	
--------------------------	--

<i>Alternate</i>	<i>Part Number</i>	<i>Description</i>

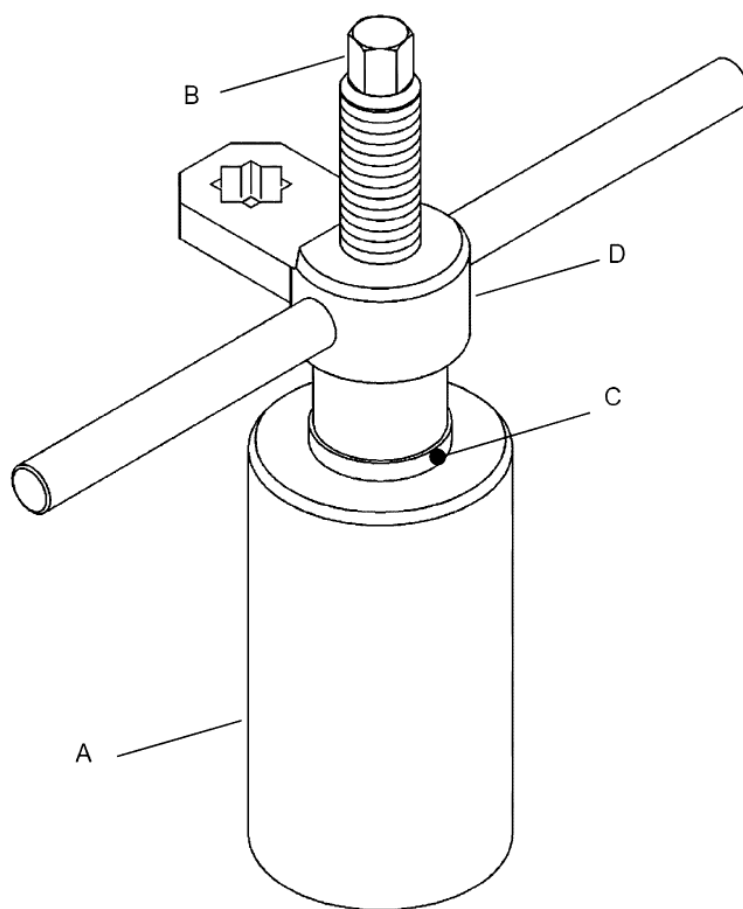
	TOOL			P/N	DESCRIPTION	QTY
	OT No.	Ind.	Ind.			
I	50 3020			TM6348G001	FEELER GAUGE	1

- ITEM NOT ILLUSTRATED

NP NON PROCURABLE

8812136000

Description: TOOL FOR INSTALLATION OF THE GEAR/BEARING



TURBOMECA ARRIEL 2 C1

MAINTENANCE TOOLS CATALOG

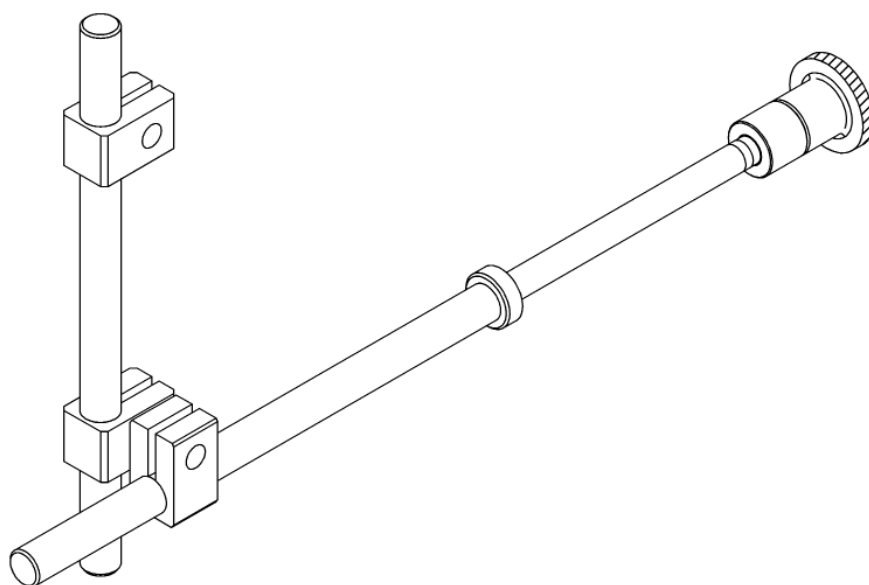
<i>Description</i>		<i>Part Number</i>			
TOOL FOR INSTALLATION OF THE GEAR/ BEARING		8812136000			
<i>This tool replaces the tool</i>					
<i>Supply code</i>	<i>Calibration frequency</i>	<i>Functional criteria check</i>			
3 - 2	N/A	N/A			
<i>Use</i>	Tool necessary for the installation of the power shaft. It is used to put the spacer in position and to install the power shaft front bearing.				
<i>Use particularity</i>					
<i>Alternate</i>	<i>Part Number</i>		<i>Description</i>		
TOOL					
OT No.	Ind.	Ind.	P/N	DESCRIPTION	QTY
				1 2 3	
50 7090			8812136000	TOOL FOR INSTALLATION OF THE GEAR/BEARING	1
50 7090	A		8812136001	. SHROUD	1
50 7090	B		8812136002	. MANDREL	1
50 7090	C		8812136004	. FRICTION WASHER	1
50 7090	D		8812136005	. NUT	1

- ITEM NOT ILLUSTRATED

NP NON PROCURABLE

8813435200

Description: COMPARATOR SUPPORT



TURBOMECA ARRIEL 2 C1

MAINTENANCE TOOLS CATALOG

<i>Description</i>	<i>Part Number</i>
COMPARATOR SUPPORT	8813435200

<i>This tool replaces the tool</i>

<i>Supply code</i>	<i>Calibration frequency</i>	<i>Functional criteria check</i>
3 - 2	N/A	N/A

<i>Use</i>	Used as a support for checking runout of rear face of axial compressor wheel
<i>Use particularity</i>	

<i>Alternate</i>	<i>Part Number</i>	<i>Description</i>

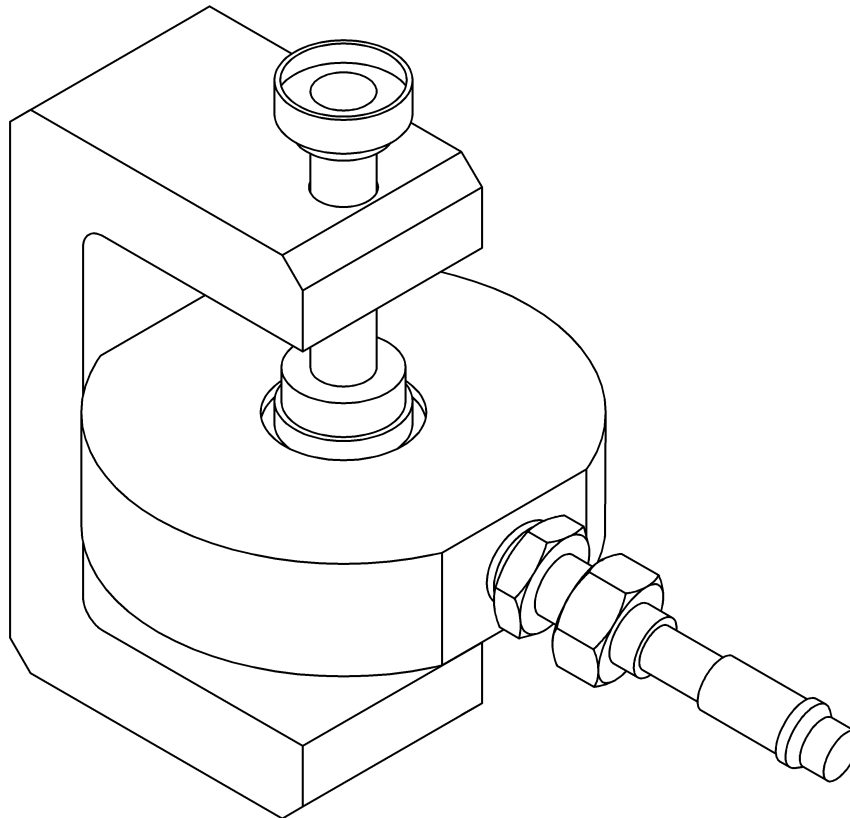
	TOOL			P/N	DESCRIPTION	QTY
	OT No.	Ind.	Ind.			
	50 7110			8813435200	COMPARATOR SUPPORT	1
-	50 7110	A		8813435201	. SUPPORT	1
-	50 7110	B		8813435202	. PLIERS	3
-	50 7110	C		8813435203	. SPACER	1
-	50 7110	D		8813435204	. CENTERING PIECE	1
-	50 7110	E		8813435205	. PLUG	1
-	50 7110	F		8813435206	. GRIP	1
-	50 7110	G		8813435207	. Ø 8 ROD	1
-	50 7110	H		8813435208	. STUD	2
-	50 7110	I		8813435209	. CONCAVE WASHER	4
-	50 7110	J		8813435210	. CONVEX WASHER	4
-	50 7110	K		8813435211	. KNURLED NUT	4
-	50 7110	L		8813435212	. KNURLED NUT	1

- ITEM NOT ILLUSTRATED

NP NON PROCURABLE

8818171000

Description: INSTALLATION TOOL



TURBOMECA ARRIEL 2 C1

MAINTENANCE TOOLS CATALOG

<i>Description</i>	<i>Part Number</i>
INSTALLATION TOOL	8818171000

<i>This tool replaces the tool</i>

<i>Supply code</i>	<i>Calibration frequency</i>	<i>Functional criteria check</i>
3 - 2	N/A	N/A

<i>Use</i>	Tool used to install the Magnetic Seal type seals on their seal-carrier cages.
------------	--

<i>Use particularity</i>	
--------------------------	--

<i>Alternate</i>	<i>Part Number</i>	<i>Description</i>

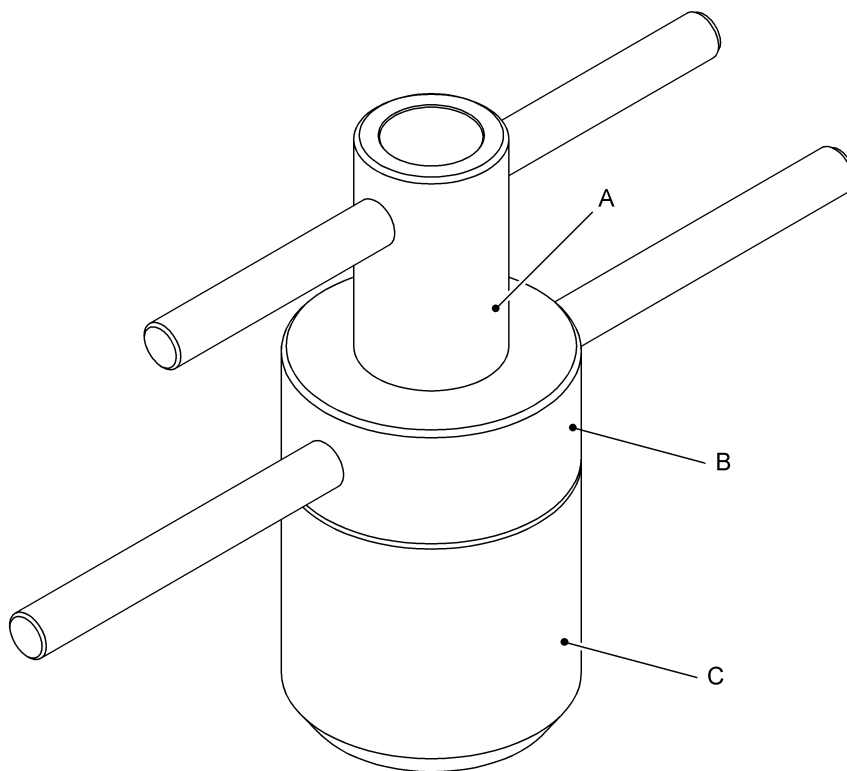
TOOL				P/N	DESCRIPTION	QTY
OT No.	Ind.	Ind.		1 2 3		
50 7250			8818171000	INSTALLATION TOOL		1
- 50 7250	A		8818171001	. BODY		1
- 50 7250	B		8818171002	. SUPPORT		1
- 50 7250	C		8818171003	. END FITTING		1
- 50 7250	D		8818171006	. DOUBLE UNION DN6		1
- 50 7250	E		9752010044	. SEAL		1
- 50 7250	F		9681502501	. PACKING, PREFORMED		1
- 50 7250	G		8818171011	. LOCKING SCREW M10 LG 60		1
- 50 7250	H		8818171012	. FRICTION PAD		1
- 50 7250	I		8818171013	. KNURLED NUT M10		1

- ITEM NOT ILLUSTRATED

NP NON PROCURABLE

8818825000

Description: REAR BEARING, BEARING INNER RING, INSTALLATION TOOL



TURBOMECA ARRIEL 2 C1

MAINTENANCE TOOLS CATALOG

<i>Description</i>	<i>Part Number</i>
REAR BEARING, BEARING INNER RING, INSTALLATION TOOL	8818825000

<i>This tool replaces the tool</i>

<i>Supply code</i>	<i>Calibration frequency</i>	<i>Functional criteria check</i>
3 - 2	N/A	N/A

Use	Tool used to install the bearing inner ring of the rear bearing.
------------	--

Use particularity	
--------------------------	--

<i>Alternate</i>	<i>Part Number</i>	<i>Description</i>

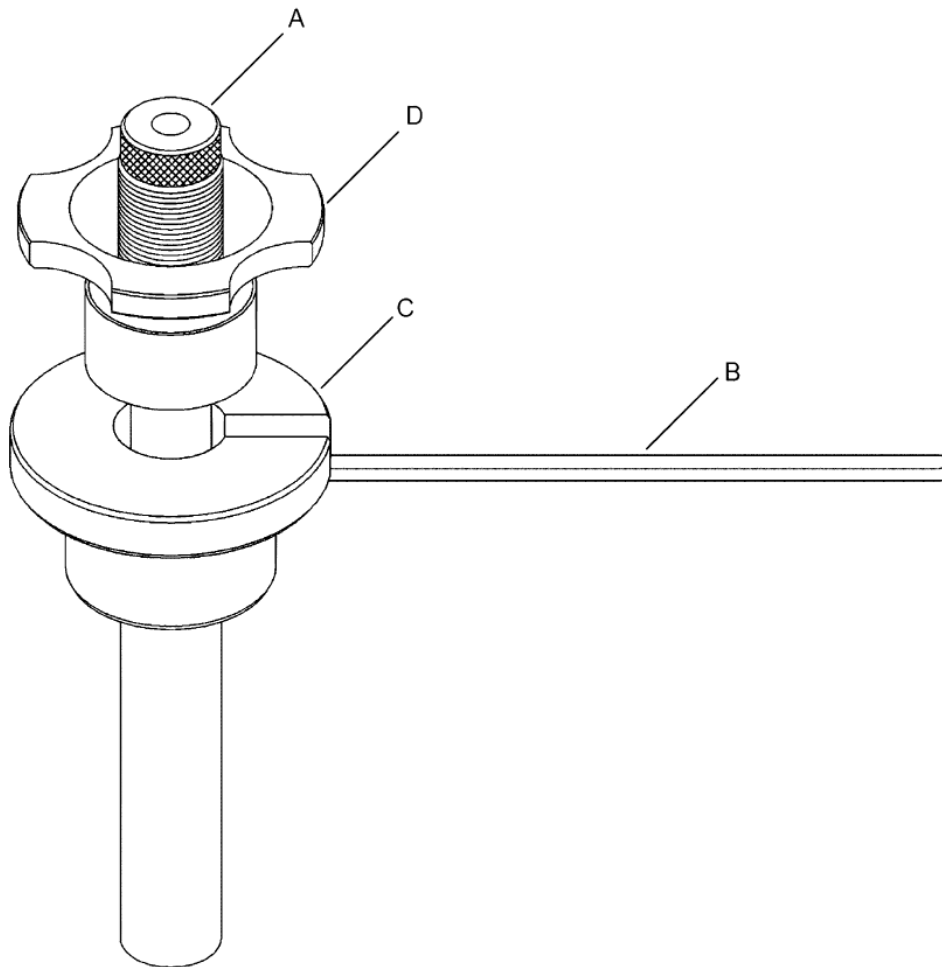
TOOL				P/N	DESCRIPTION	QTY
OT No.	Ind.	Ind.		1 2 3		
50 7320				8818825000	REAR BEARING, BEARING INNER RING, INSTALLATION TOOL	1
50 7320	A			8818825001	. SCREW	1
50 7320	B			8818825002	. NUT	1
50 7320	C			8818825003	. PUSHER	1

- ITEM NOT ILLUSTRATED

NP NON PROCURABLE

8819681000

Description: ASSEMBLY FIXTURE



TURBOMECA ARRIEL 2 C1

MAINTENANCE TOOLS CATALOG

<i>Description</i>	<i>Part Number</i>
ASSEMBLY FIXTURE	8819681000

<i>This tool replaces the tool</i>

<i>Supply code</i>	<i>Calibration frequency</i>	<i>Functional criteria check</i>
3 - 2	N/A	N/A

Use	Tool used to remove and install the module 02 - Compressor. It tightens and loosens the axial nut of the module 02 - Compressor.
------------	--

Use particularity	It is used with tool TM0588G001
--------------------------	---------------------------------

<i>Alternate</i>	<i>Part Number</i>	<i>Description</i>

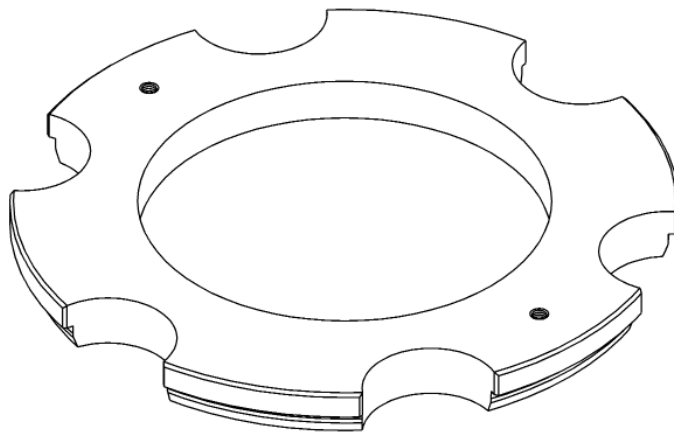
	TOOL			P/N	DESCRIPTION	QTY
	OT No.	Ind.	Ind.			
1	50 7340			8819681000	ASSEMBLY FIXTURE	1
	50 7340	A		8815099760	. SCREW M12 X 125	1
	50 7340	B		8815099764	. WRENCH	1
	50 7340	C		8815099762	. SPACER	1
	50 7340	D		8815099761	. NUT	1

- ITEM NOT ILLUSTRATED

NP NON PROCURABLE

8819774000

Description: SEGMENT HOLDING TOOL



TURBOMECA ARRIEL 2 C1

MAINTENANCE TOOLS CATALOG

<i>Description</i>	<i>Part Number</i>
SEGMENT HOLDING TOOL	8819774000

<i>This tool replaces the tool</i>

<i>Supply code</i>	<i>Calibration frequency</i>	<i>Functional criteria check</i>
3 - 2	N/A	N/A

Use	Tool used to install the turbine ring assy segment. It is used to hold both segments into the turbine ring assy groove, while glue polymerizes.
Use particularity	

Alternate	<i>Part Number</i>	<i>Description</i>

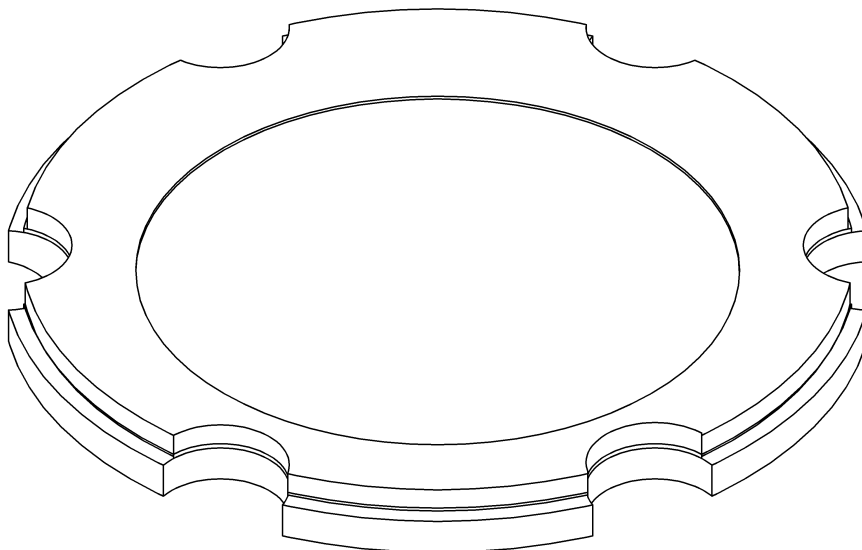
TOOL				P/N	DESCRIPTION	QTY
OT No.	Ind.	Ind.		1 2 3		
50 7370			8819774000	SEGMENT HOLDING TOOL		1

- ITEM NOT ILLUSTRATED

NP NON PROCURABLE

8819987000

Description: SEGMENT BONDING TOOL



TURBOMECA ARRIEL 2 C1

MAINTENANCE TOOLS CATALOG

<i>Description</i>	<i>Part Number</i>
SEGMENT BONDING TOOL	8819987000

<i>This tool replaces the tool</i>	8819670000
------------------------------------	-------------------

<i>Supply code</i>	<i>Calibration frequency</i>	<i>Functional criteria check</i>
3 - 2	N/A	N/A

Use	Tool required for module 04 - Power turbine installation. It is used to hold the two segments in the housing located in the module 04 - Power turbine during the curing time.
------------	---

Use particularity	
--------------------------	--

<i>Alternate</i>	<i>Part Number</i>	<i>Description</i>

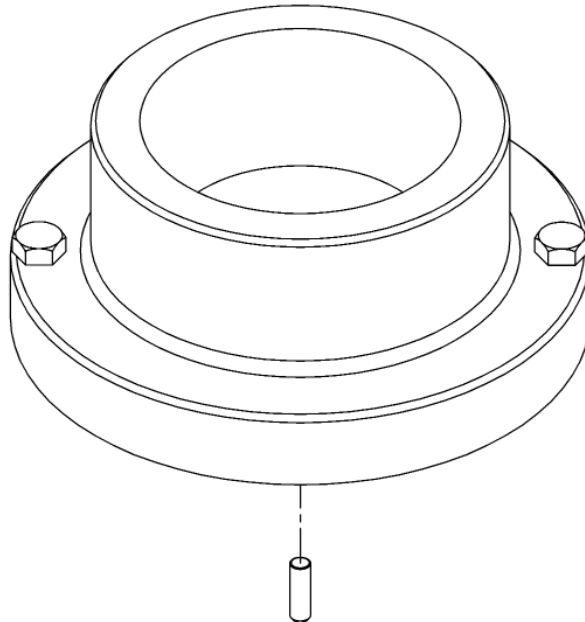
	TOOL			P/N	DESCRIPTION	QTY
	OT No.	Ind.	Ind.			
I	50 7400			8819987000	1 2 3 SEGMENT BONDING TOOL	1

- ITEM NOT ILLUSTRATED

NP NON PROCURABLE

TM0790G001

Description: SEGMENT INSTALLATION TOOL



TURBOMECA ARRIEL 2 C1

MAINTENANCE TOOLS CATALOG

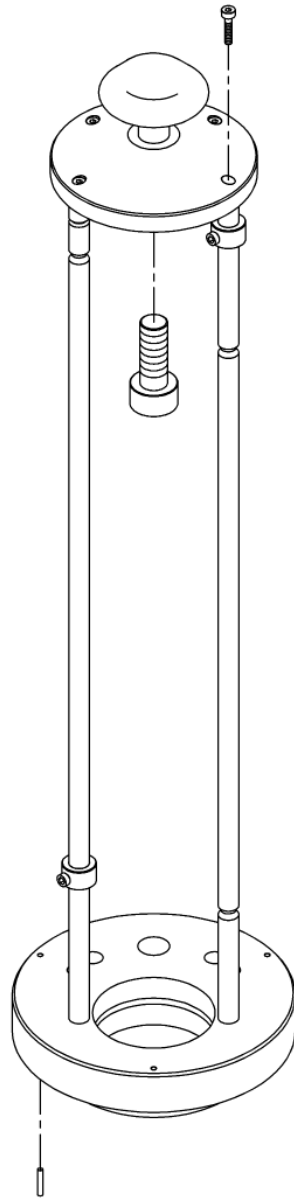
<i>Description</i>		<i>Part Number</i>				
SEGMENT INSTALLATION TOOL		TM0790G001				
<i>This tool replaces the tool</i>						
<i>Supply code</i>	<i>Calibration frequency</i>	<i>Functional criteria check</i>				
3 - 2	N/A	N/A				
<i>Use</i>	This tool is required to engage the segments on the bearing outer cage in the rear bearing box.					
<i>Use particularity</i>						
<i>Alternate</i>	<i>Part Number</i>		<i>Description</i>			
TOOL				P/N	DESCRIPTION	QTY
	OT No.	Ind.	Ind.		1 2 3	
 -	50 7630			TM0790G001	SEGMENT INSTALLATION TOOL	1
	50 7630	A		TM0790P001	. GUIDE	1

- ITEM NOT ILLUSTRATED

NP NON PROCURABLE

TM0856G001

Description: POSITIONING FIXTURE



TURBOMECA ARRIEL 2 C1

MAINTENANCE TOOLS CATALOG

<i>Description</i>	<i>Part Number</i>
POSITIONING FIXTURE	TM0856G001

<i>This tool replaces the tool</i>

<i>Supply code</i>	<i>Calibration frequency</i>	<i>Functional criteria check</i>
3 - 2	N/A	N/A

<i>Use</i>	Tool used to position the leafsprings in the protection tube.
------------	---

<i>Use particularity</i>	
--------------------------	--

<i>Alternate</i>	<i>Part Number</i>	<i>Description</i>

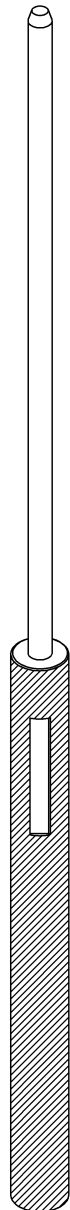
TOOL				P/N	DESCRIPTION	QTY
OT No.	Ind.	Ind.		1 2 3		
50 7640			TM0856G001	POSITIONING FIXTURE		1

- ITEM NOT ILLUSTRATED

NP NON PROCURABLE

TM1775G001

Description: GUIDE



TURBOMECA ARRIEL 2 C1

MAINTENANCE TOOLS CATALOG

<i>Description</i>	<i>Part Number</i>
GUIDE	TM1775G001

<i>This tool replaces the tool</i>

<i>Supply code</i>	<i>Calibration frequency</i>	<i>Functional criteria check</i>
3 - 2	N/A	N/A

<i>Use</i>	Tool used for the installation of the duct assemblies on the rear bearing.
------------	--

<i>Use particularity</i>	
--------------------------	--

<i>Alternate</i>	<i>Part Number</i>	<i>Description</i>

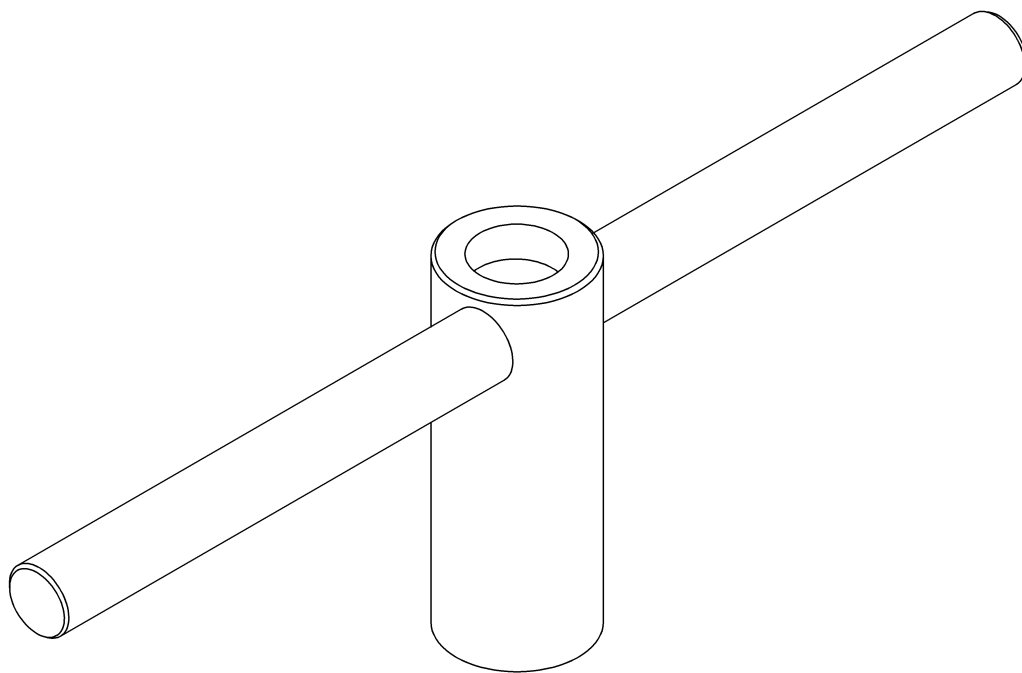
TOOL				P/N	DESCRIPTION	QTY
OT No.	Ind.	Ind.		1 2 3		
50 7680			TM1775G001	GUIDE		1

- ITEM NOT ILLUSTRATED

NP NON PROCURABLE

TM2012G001

Description: IMMOBILIZER END-FITTING



TURBOMECA ARRIEL 2 C1

MAINTENANCE TOOLS CATALOG

<i>Description</i>	<i>Part Number</i>
IMMOBILIZER END-FITTING	TM2012G001

<i>This tool replaces the tool</i>

<i>Supply code</i>	<i>Calibration frequency</i>	<i>Functional criteria check</i>
3 - 2	N/A	N/A

<i>Use</i>	Used for the 42-tooth gear support
------------	------------------------------------

<i>Use particularity</i>	
--------------------------	--

<i>Alternate</i>	<i>Part Number</i>	<i>Description</i>

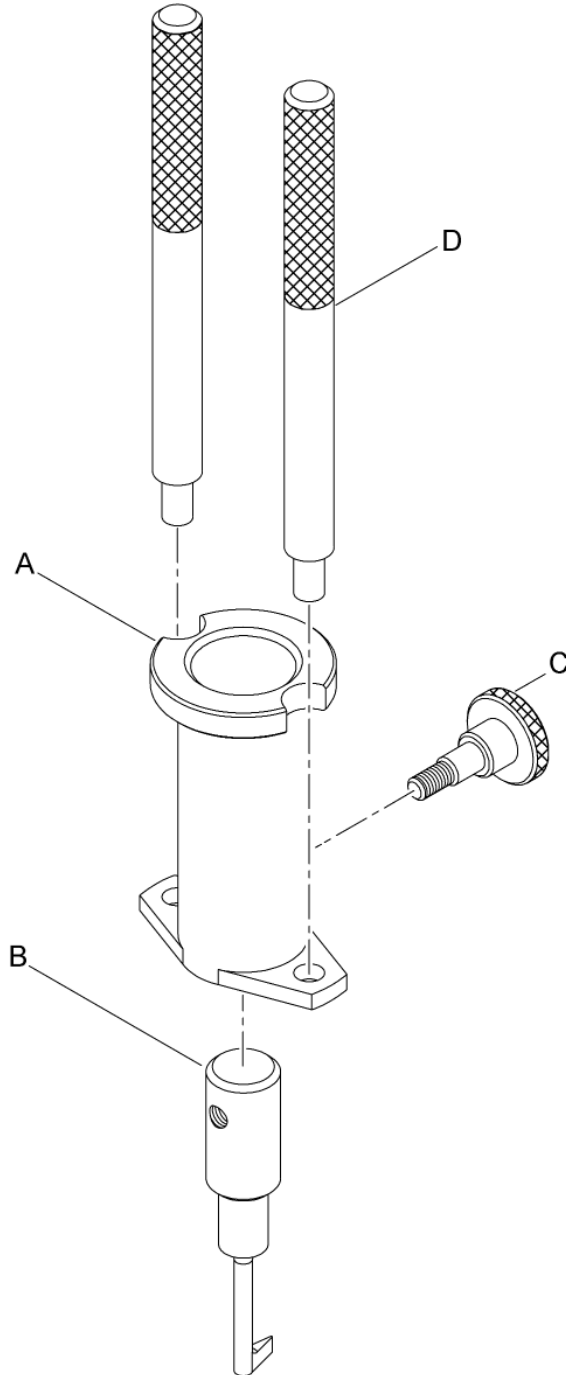
TOOL				P/N	DESCRIPTION	QTY
OT No.	Ind.	Ind.		1 2 3		
50 7700			TM2012G001	IMMOBILIZER END-FITTING		1

- ITEM NOT ILLUSTRATED

NP NON PROCURABLE

8812331000

Description: GAGE FOR IGNITER PLUGS POSITIONING



TURBOMECA ARRIEL 2 C1

MAINTENANCE TOOLS CATALOG

<i>Description</i>	<i>Part Number</i>
GAGE FOR IGNITER PLUGS POSITIONING	8812331000

<i>This tool replaces the tool</i>

<i>Supply code</i>	<i>Calibration frequency</i>	<i>Functional criteria check</i>
3 - 1	60	N/A

Use	Tool required for the adjustment of the penetration depth of the igniter plugs and start injectors. It is used to measure the thickness of the shims for igniter plugs and start injectors
------------	--

Use particularity	
--------------------------	--

<i>Alternate</i>	<i>Part Number</i>	<i>Description</i>

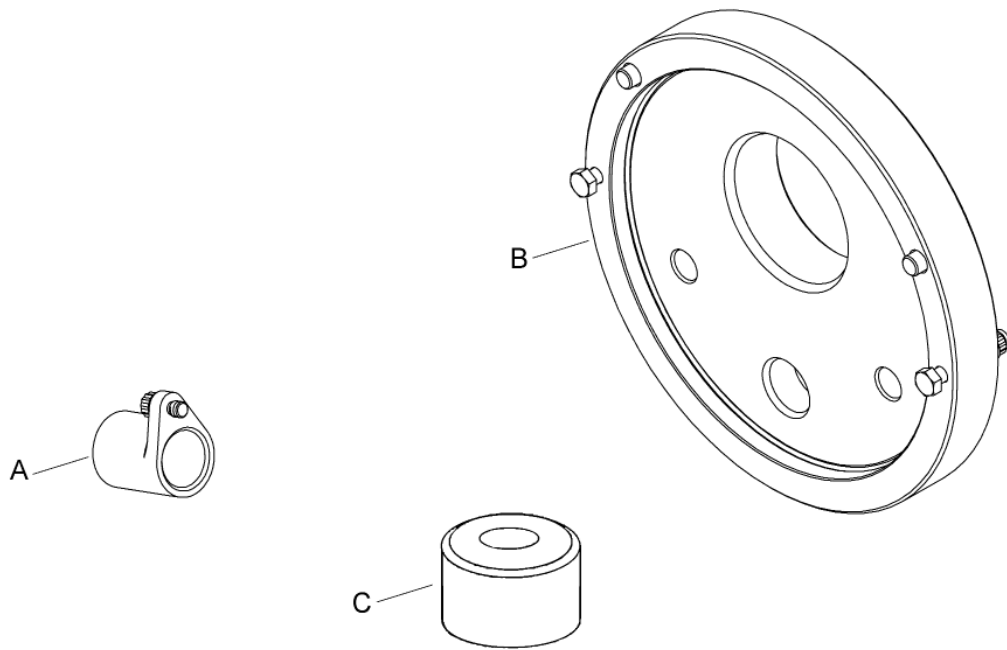
	TOOL			P/N	DESCRIPTION	QTY
	OT No.	Ind.	Ind.			
					1 2 3	
-	50 7800			8812331000	GAGE FOR IGNITER PLUGS POSITIONING	1
-	50 7800	A		8812331001	. BODY	1
-	50 7800	B		8812331002	. INDEX	1
-	50 7800	C		8812331005	. SCREW, KNURLED	1
-	50 7800	D		8812331006	. M5 EXTRACTOR	2

- ITEM NOT ILLUSTRATED

NP NON PROCURABLE

8819772000

Description: MEASURING TOOL



TURBOMECA ARRIEL 2 C1

MAINTENANCE TOOLS CATALOG

<i>Description</i>	<i>Part Number</i>
MEASURING TOOL	8819772000

<i>This tool replaces the tool</i>

<i>Supply code</i>	<i>Calibration frequency</i>	<i>Functional criteria check</i>
3 - 1	60	N/A

<i>Use</i>	Tool necessary to adjust the penetration depth of the torque meter sensor. It is used to calculate the setting thickness of the torque meter sensor. Tool necessary for the installation of the power shaft. It holds the power shaft in position into the junction tube.
<i>Use particularity</i>	

<i>Alternate</i>	<i>Part Number</i>	<i>Description</i>

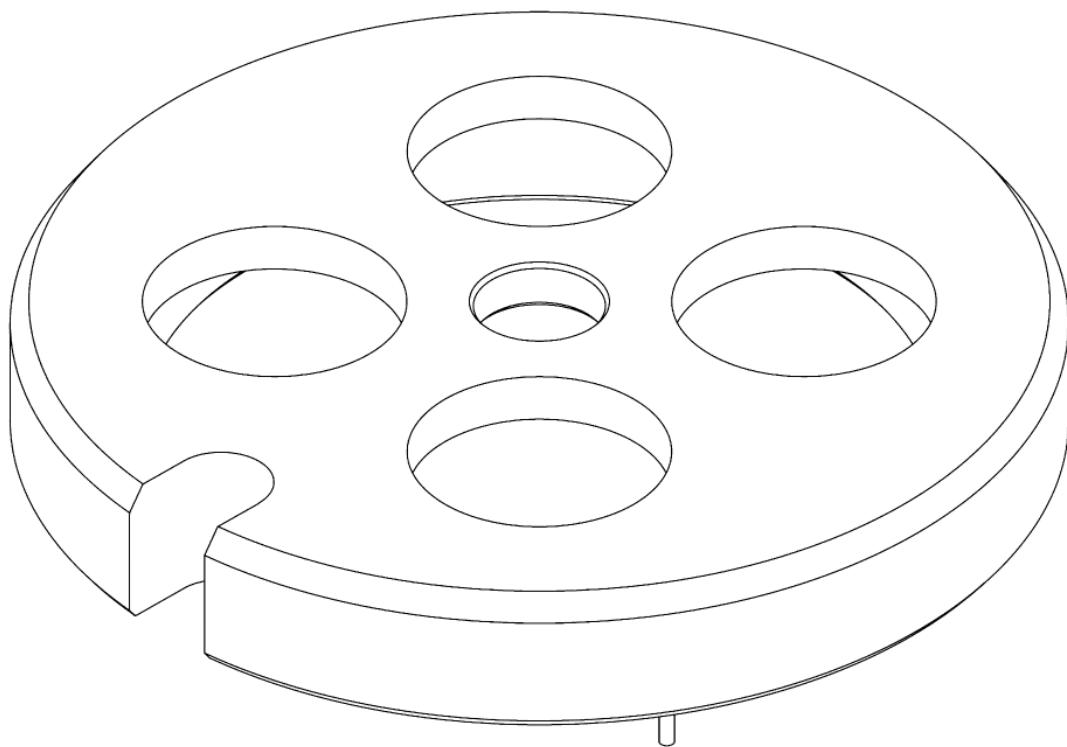
	TOOL			P/N	DESCRIPTION	QTY
	OT No.	Ind.	Ind.			
					1 2 3	
I	50 7980			8819772000	MEASURING TOOL	1
	50 7980	A		8819772001	. BODY	1
	50 7980	B		8819772002	. CENTERING	1
	50 7980	C		8819772009	. SUPPORT	1

- ITEM NOT ILLUSTRATED

NP NON PROCURABLE

TM1123G001

Description: MEASURING TOOL



SAFRAN HELICOPTER ENGINES

ARRIEL 2 C1

MAINTENANCE TOOLS CATALOG

<i>Description</i>	<i>Part Number</i>
MEASURING TOOL	TM1123G001

<i>This tool replaces the tool</i>

<i>Supply code</i>	<i>Calibration frequency</i>	<i>Functional criteria check</i>
3 - 1	60	N/A

<i>Use</i>	Tool required to measure the axial bolt stretch during M02 installation.
------------	--

<i>Use particularity</i>	
--------------------------	--

<i>Alternate</i>	<i>Part Number</i>	<i>Description</i>

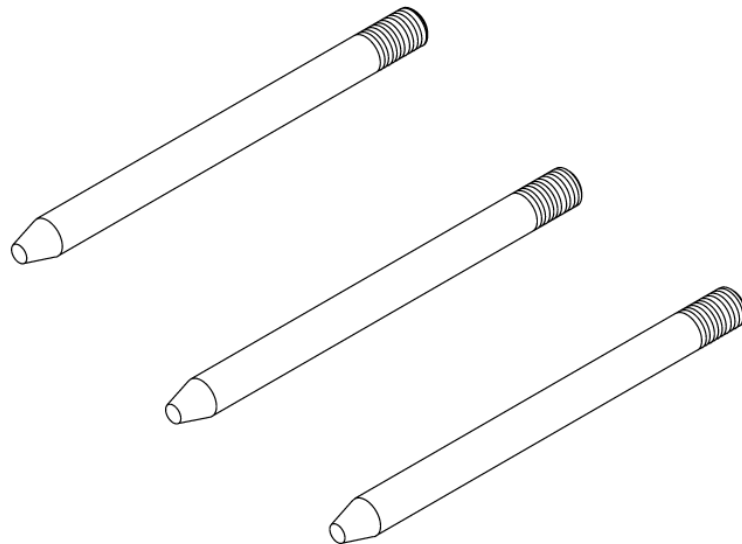
TOOL				P/N	DESCRIPTION	QTY
OT No.	Ind.	Ind.		1 2 3		
50 8100			TM1123G001	MEASURING TOOL		1

- ITEM NOT ILLUSTRATED

NP NON PROCURABLE

TM1689G002

Description: SET OF 3 GUIDES



SAFRAN HELICOPTER ENGINES

ARRIEL 2 C1

MAINTENANCE TOOLS CATALOG

<i>Description</i>	<i>Part Number</i>
SET OF 3 GUIDES	TM1689G002

<i>This tool replaces the tool</i>

<i>Supply code</i>	<i>Calibration frequency</i>	<i>Functional criteria check</i>
3 - 2	N/A	N/A

<i>Use</i>	
------------	--

<i>Use particularity</i>	
--------------------------	--

<i>Alternate</i>	<i>Part Number</i>	<i>Description</i>

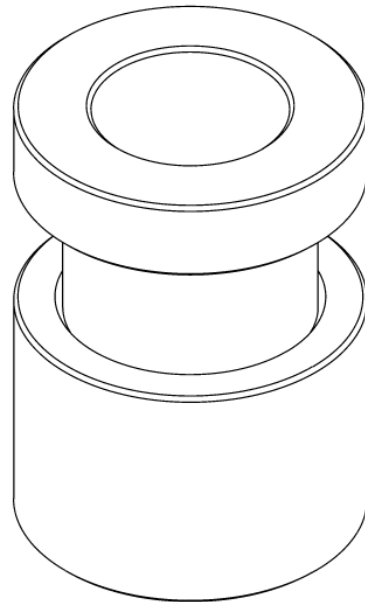
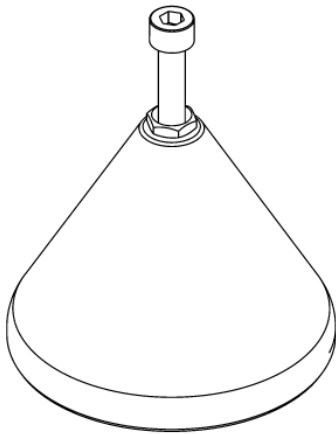
	TOOL			P/N	DESCRIPTION	QTY
	OT No.	Ind.	Ind.			
I	50 9550			TM1689G002	1 2 3 SET OF 3 GUIDES	1

- ITEM NOT ILLUSTRATED

NP NON PROCURABLE

TM8198G001

Description: SHELL ASSEMBLY



SAFRAN HELICOPTER ENGINES

ARRIEL 2 C1

MAINTENANCE TOOLS CATALOG

<i>Description</i>	<i>Part Number</i>
SHELL ASSEMBLY	TM8198G001

<i>This tool replaces the tool</i>

<i>Supply code</i>	<i>Calibration frequency</i>	<i>Functional criteria check</i>
3 - 2	N/A	N/A

<i>Use</i>	
------------	--

<i>Use particularity</i>	
--------------------------	--

<i>Alternate</i>	<i>Part Number</i>	<i>Description</i>

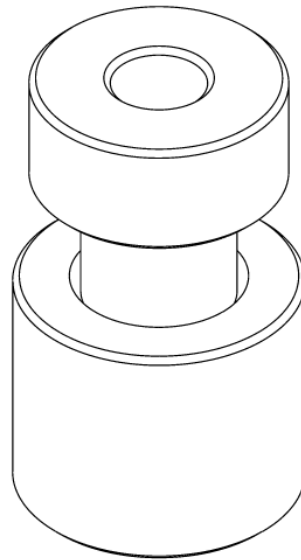
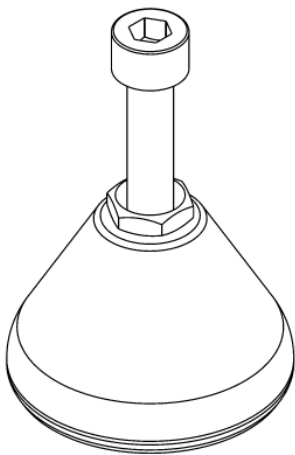
	TOOL			P/N	DESCRIPTION	QTY
	OT No.	Ind.	Ind.			
I	50 9560			TM8198G001	SHELL ASSEMBLY	1

- ITEM NOT ILLUSTRATED

NP NON PROCURABLE

TM8199G001

Description: SHELL ASSEMBLY



SAFRAN HELICOPTER ENGINES

ARRIEL 2 C1

MAINTENANCE TOOLS CATALOG

<i>Description</i>	<i>Part Number</i>
SHELL ASSEMBLY	TM8199G001

<i>This tool replaces the tool</i>

<i>Supply code</i>	<i>Calibration frequency</i>	<i>Functional criteria check</i>
3 - 2	N/A	N/A

<i>Use</i>	
------------	--

<i>Use particularity</i>	
--------------------------	--

<i>Alternate</i>	<i>Part Number</i>	<i>Description</i>

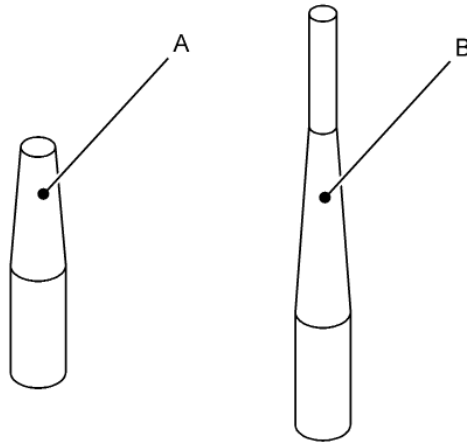
	TOOL			P/N	DESCRIPTION	QTY
	OT No.	Ind.	Ind.			
I	50 9570			TM8199G001	SHELL ASSEMBLY	1

- ITEM NOT ILLUSTRATED

NP NON PROCURABLE

8818688000

Description: DISASSEMBLY/ASSEMBLY THIMBLE SET



TURBOMECA ARRIEL 2 C1

MAINTENANCE TOOLS CATALOG

<i>Description</i>	<i>Part Number</i>
DISASSEMBLY/ASSEMBLYTHIMBLE SET	8818688000

<i>This tool replaces the tool</i>

<i>Supply code</i>	<i>Calibration frequency</i>	<i>Functional criteria check</i>
3 - 2	N/A	N/A

<i>Use</i>	Tool used to install and remove the sealing ring.
------------	---

<i>Use particularity</i>	
--------------------------	--

<i>Alternate</i>	<i>Part Number</i>	<i>Description</i>

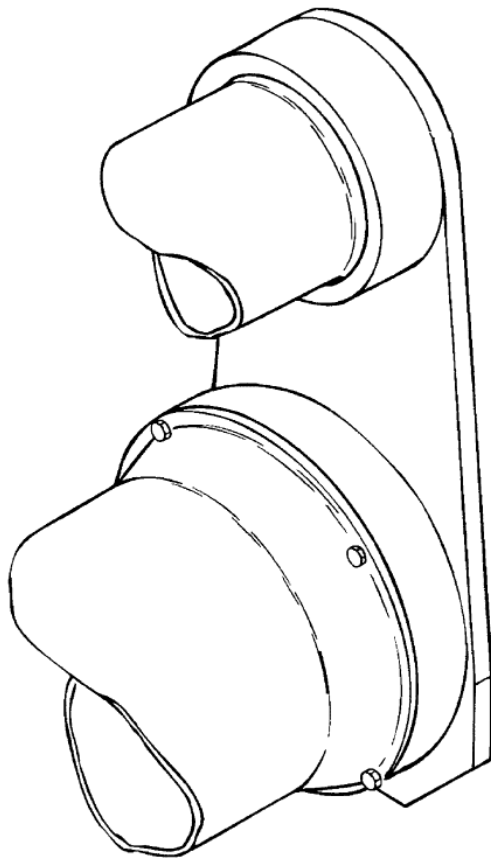
TOOL				P/N	DESCRIPTION	QTY
OT No.	Ind.	Ind.	1 2 3			
60 0010				8818688000	DISASSEMBLY/ASSEMBLYTHIMBLE SET	1
60 0010	A			8818688001	. BUSHING	1
60 0010	B			8818688002	. BUSHING	1

- ITEM NOT ILLUSTRATED

NP NON PROCURABLE

8813418000

Description: GAS GENERATOR SUPPORT PLATE



TURBOMECA ARRIEL 2 C1

MAINTENANCE TOOLS CATALOG

<i>Description</i>	<i>Part Number</i>
GAS GENERATOR SUPPORT PLATE	8813418000

<i>This tool replaces the tool</i>

<i>Supply code</i>	<i>Calibration frequency</i>	<i>Functional criteria check</i>
3 - 2	N/A	N/A

Use	Support plate for gas generator module after removal of reduction gearbox
Use particularity	

<i>Alternate</i>	<i>Part Number</i>	<i>Description</i>

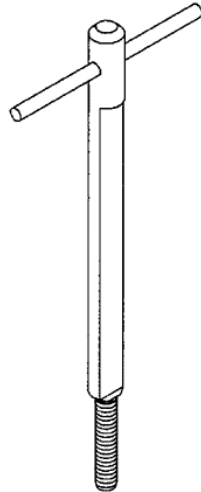
	TOOL			P/N	DESCRIPTION	QTY
	OT No.	Ind.	Ind.			
I	60 0020			8813418000	1 2 3 GAS GENERATOR SUPPORT PLATE	1

- ITEM NOT ILLUSTRATED

NP NON PROCURABLE

8813521000

Description: EXTRACTOR



TURBOMECA ARRIEL 2 C1

MAINTENANCE TOOLS CATALOG

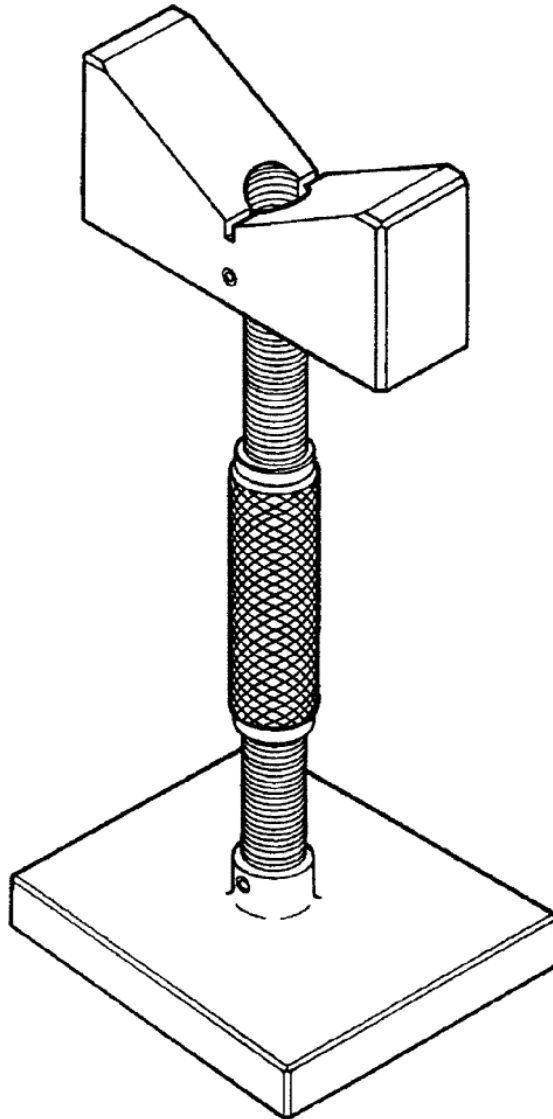
<i>Description</i>		<i>Part Number</i>				
EXTRACTOR		8813521000				
<i>This tool replaces the tool</i>						
<i>Supply code</i>	<i>Calibration frequency</i>	<i>Functional criteria check</i>				
3 - 2	N/A	N/A				
<i>Use</i>	Tool required for the inspection and check procedures of the bleed valve. It is used to remove the P3 air intake filter of the bleed valve.					
<i>Use particularity</i>						
<i>Alternate</i>	<i>Part Number</i>		<i>Description</i>			
TOOL				P/N	DESCRIPTION	QTY
OT No.	Ind.	Ind.		1 2 3		
60 0040			8813521000	EXTRACTOR		1

- ITEM NOT ILLUSTRATED

NP NON PROCURABLE

8815010000

Description: PROTECTION TUBE HOLDING TOOL



TURBOMECA ARRIEL 2 C1

MAINTENANCE TOOLS CATALOG

<i>Description</i>	<i>Part Number</i>
PROTECTION TUBE HOLDING TOOL	8815010000

<i>This tool replaces the tool</i>

<i>Supply code</i>	<i>Calibration frequency</i>	<i>Functional criteria check</i>
3 - 2	N/A	N/A

<i>Use</i>	Tool used to hold the engine if the rear support or the module 05 - Reduction gearbox is removed from the aircraft. Install it under the protection tube.
<i>Use particularity</i>	

<i>Alternate</i>	<i>Part Number</i>	<i>Description</i>

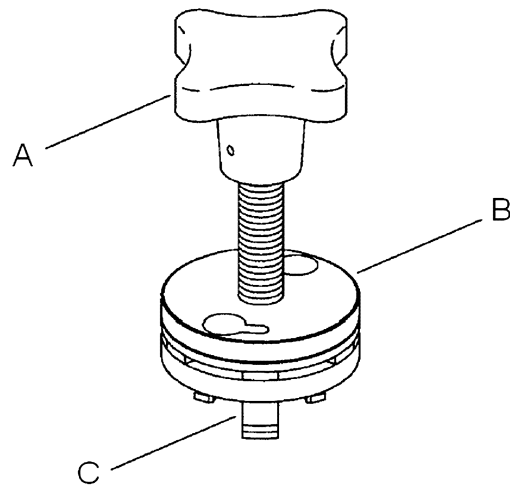
TOOL				P/N	DESCRIPTION	QTY
OT No.	Ind.	Ind.	1 2 3			
60 0060				8815010000	PROTECTION TUBE HOLDING TOOL	1

- ITEM NOT ILLUSTRATED

NP NON PROCURABLE

8818836200

Description: EXTRACTOR WITH JAWS



SAFRAN HELICOPTER ENGINES

ARRIEL 2 C1

MAINTENANCE TOOLS CATALOG

<i>Description</i>	<i>Part Number</i>
EXTRACTOR WITH JAWS	8818836200

<i>This tool replaces the tool</i>

<i>Supply code</i>	<i>Calibration frequency</i>	<i>Functional criteria check</i>
3 - 2	N/A	N/A

<i>Use</i>	Tool for removal of Magnetic Seal type seals of the deoiler cover of Module 01.
------------	---

<i>Use particularity</i>	
--------------------------	--

<i>Alternate</i>	<i>Part Number</i>	<i>Description</i>

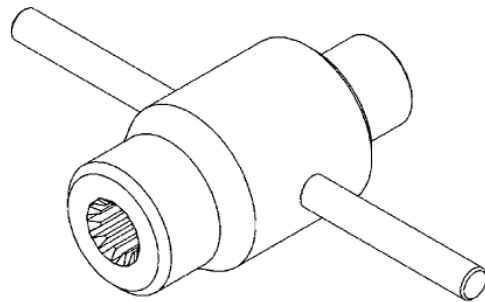
TOOL				P/N	DESCRIPTION	QTY
OT No.	Ind.	Ind.	1 2 3			
60 0080				8818836200	EXTRACTOR WITH JAWS	1
60 0080	A			8818836207	. CLAMP NUT	1
60 0080	B			8818836202	. BODY	1
60 0080	C			8818836203	. JAWS, SET OF THREE	1

- ITEM NOT ILLUSTRATED

NP NON PROCURABLE

8819959000

Description: DRIVING WRENCH



SAFRAN HELICOPTER ENGINES

ARRIEL 2 C1

MAINTENANCE TOOLS CATALOG

<i>Description</i>	<i>Part Number</i>
DRIVING WRENCH	8819959000

<i>This tool replaces the tool</i>	8818697000
------------------------------------	-------------------

<i>Supply code</i>	<i>Calibration frequency</i>	<i>Functional criteria check</i>
3 - 2	N/A	N/A

<i>Use</i>	Tool used to check the metering unit assembly.
------------	--

<i>Use particularity</i>	
--------------------------	--

<i>Alternate</i>	<i>Part Number</i>	<i>Description</i>

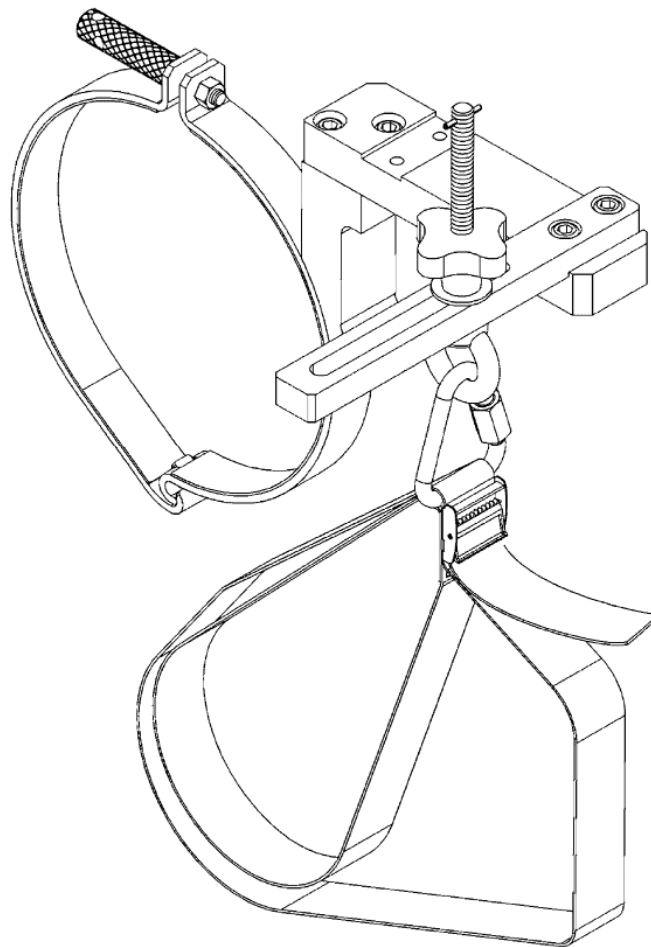
	TOOL			P/N	DESCRIPTION	QTY
	OT No.	Ind.	Ind.			
1	60 0140			8819959000	DRIVING WRENCH	1

- ITEM NOT ILLUSTRATED

NP NON PROCURABLE

TM1991G001

Description: INSTALLATION TOOL



TURBOMECA ARRIEL 2 C1

MAINTENANCE TOOLS CATALOG

<i>Description</i>	<i>Part Number</i>
INSTALLATION TOOL	TM1991G001

<i>This tool replaces the tool</i>

<i>Supply code</i>	<i>Calibration frequency</i>	<i>Functional criteria check</i>
3 - 2	N/A	N/A

<i>Use</i>	Tool used to install the H.M.U. on the engine (with engine installed).
<i>Use particularity</i>	

<i>Alternate</i>	<i>Part Number</i>	<i>Description</i>

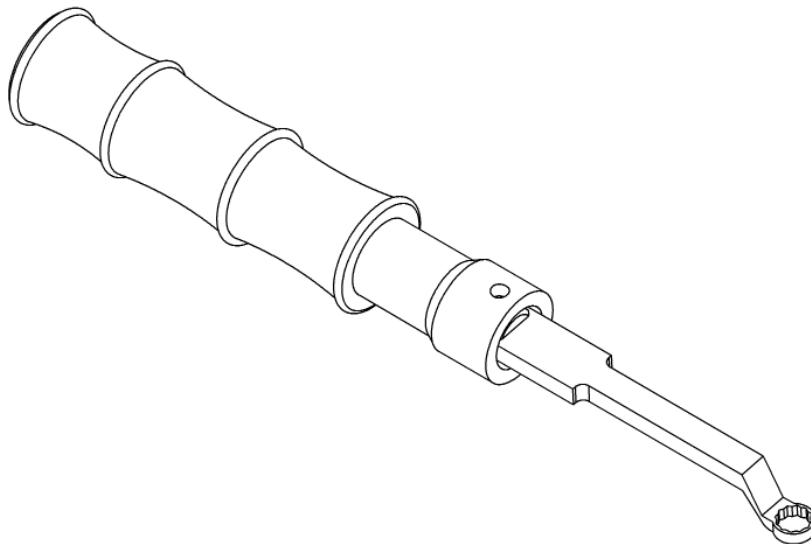
	TOOL			P/N	DESCRIPTION	QTY
	OT No.	Ind.	Ind.			
I	60 0160			TM1991G001	INSTALLATION TOOL	1

- ITEM NOT ILLUSTRATED

NP NON PROCURABLE

TM2776G001

Description: WRENCH SET



SAFRAN HELICOPTER ENGINES

ARRIEL 2 C1

MAINTENANCE TOOLS CATALOG

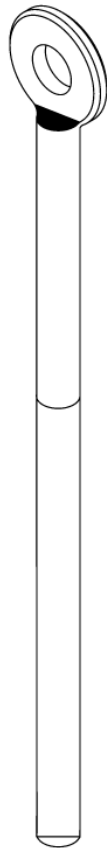
<i>Description</i>				<i>Part Number</i>			
WRENCH SET				TM2776G001			
<i>This tool replaces the tool</i>							
<i>Supply code</i>		<i>Calibration frequency</i>		<i>Functional criteria check</i>			
3 - 2		N/A		N/A			
<i>Use</i>							
<i>Use particularity</i>							
<i>Alternate</i>				<i>Part Number</i>		<i>Description</i>	
TOOL			P/N	DESCRIPTION			QTY
OT No.	Ind.	Ind.		1	2	3	
60 3020			TM2776G001	WRENCH SET			1

- ITEM NOT ILLUSTRATED

NP NON PROCURABLE

8810600104

Description: SET OF 3 EXTRACTORS



SAFRAN HELICOPTER ENGINES

ARRIEL 2 C1

MAINTENANCE TOOLS CATALOG

<i>Description</i>	<i>Part Number</i>
SET OF 3 EXTRACTORS	8810600104

<i>This tool replaces the tool</i>

<i>Supply code</i>	<i>Calibration frequency</i>	<i>Functional criteria check</i>
3 - 2	N/A	N/A

<i>Use</i>	
------------	--

<i>Use particularity</i>	
--------------------------	--

<i>Alternate</i>	<i>Part Number</i>	<i>Description</i>

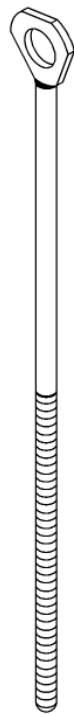
	TOOL			P/N	DESCRIPTION	QTY
	OT No.	Ind.	Ind.			
I	60 3040			8810600104	1 2 3 SET OF 3 EXTRACTORS	1

- ITEM NOT ILLUSTRATED

NP NON PROCURABLE

8810131088

Description: EXTRACTORS M5 / 080, SET OF THREE



TURBOMECA ARRIEL 2 C1

MAINTENANCE TOOLS CATALOG

<i>Description</i>	<i>Part Number</i>
EXTRACTORS M5 / 080, SET OF THREE	8810131088

<i>This tool replaces the tool</i>

<i>Supply code</i>	<i>Calibration frequency</i>	<i>Functional criteria check</i>
3 - 2	N/A	N/A

<i>Use</i>	Tool required for module 04 - Power turbine removal. The extractors are used to remove the module 04 - Power turbine from the module 03 - Gas generator
------------	---

<i>Use particularity</i>	
--------------------------	--

<i>Alternate</i>	<i>Part Number</i>	<i>Description</i>

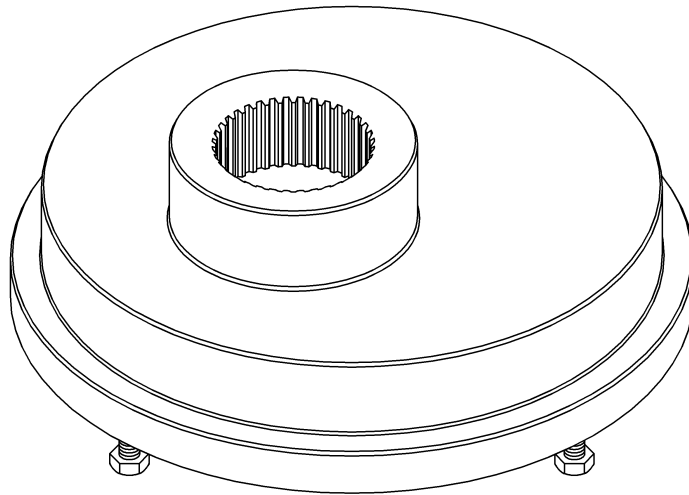
TOOL				P/N	DESCRIPTION	QTY
OT No.	Ind.	Ind.		1 2 3		
60 7010			8810131088	EXTRACTORS M5 / 080, SET OF THREE	1	

- ITEM NOT ILLUSTRATED

NP NON PROCURABLE

8812137000

Description: CENTERING PIECE-IMMOBILIZER



SAFRAN HELICOPTER ENGINES

ARRIEL 2 C1

MAINTENANCE TOOLS CATALOG

<i>Description</i>	<i>Part Number</i>
CENTERING PIECE-IMMOBILIZER	8812137000

<i>This tool replaces the tool</i>

<i>Supply code</i>	<i>Calibration frequency</i>	<i>Functional criteria check</i>
3 - 2	N/A	N/A

<i>Use</i>	
------------	--

<i>Use particularity</i>	
--------------------------	--

<i>Alternate</i>	<i>Part Number</i>	<i>Description</i>

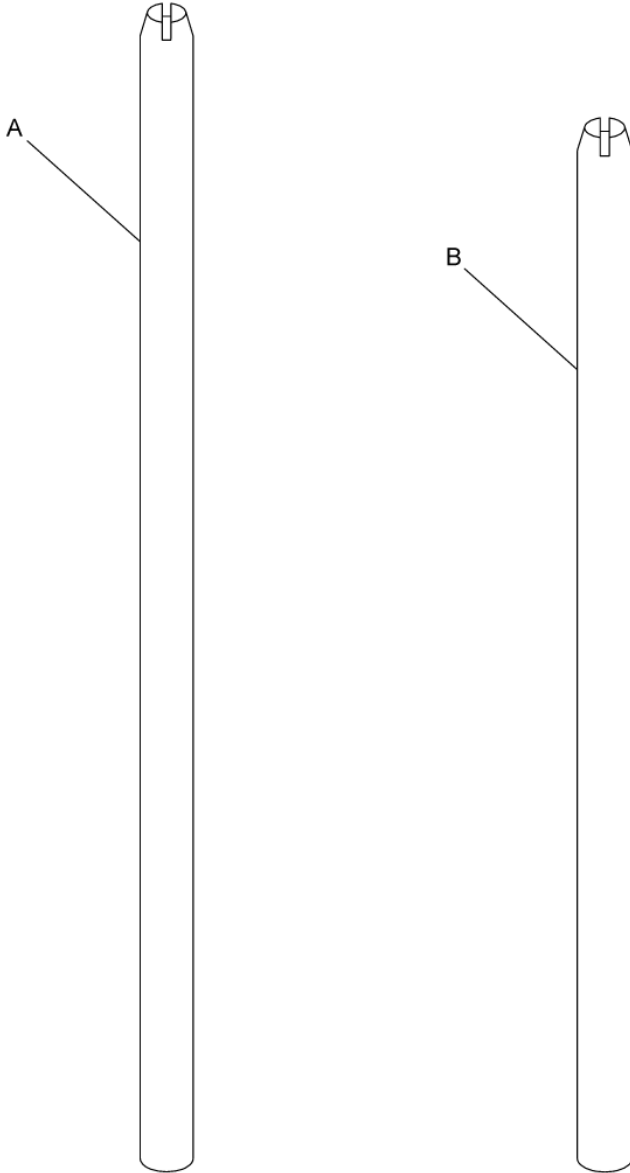
	TOOL			P/N	DESCRIPTION	QTY
	OT No.	Ind.	Ind.			
					1 2 3	
-	60 7050			8812137000	CENTERING PIECE-IMMOBILIZER	1
-	60 7050	A		8812137001	. IMMOBILIZER	1
-	60 7050	B		8812137002	. PEGS	2

- ITEM NOT ILLUSTRATED

NP NON PROCURABLE

8813071000

Description: GUIDING STUDS, SET OF 4



SAFRAN HELICOPTER ENGINES

ARRIEL 2 C1

MAINTENANCE TOOLS CATALOG

<i>Description</i>	<i>Part Number</i>
GUIDING STUDS, SET OF 4	8813071000

<i>This tool replaces the tool</i>

<i>Supply code</i>	<i>Calibration frequency</i>	<i>Functional criteria check</i>
3 - 2	N/A	N/A

Use	Tool required for module 02 - Compressor removal and installation procedures. It is used to guide and position the module 02 - Compressor in relation to the module 01 - Accessory gearbox + transmission shaft.
------------	--

Use particularity	
--------------------------	--

<i>Alternate</i>	<i>Part Number</i>	<i>Description</i>

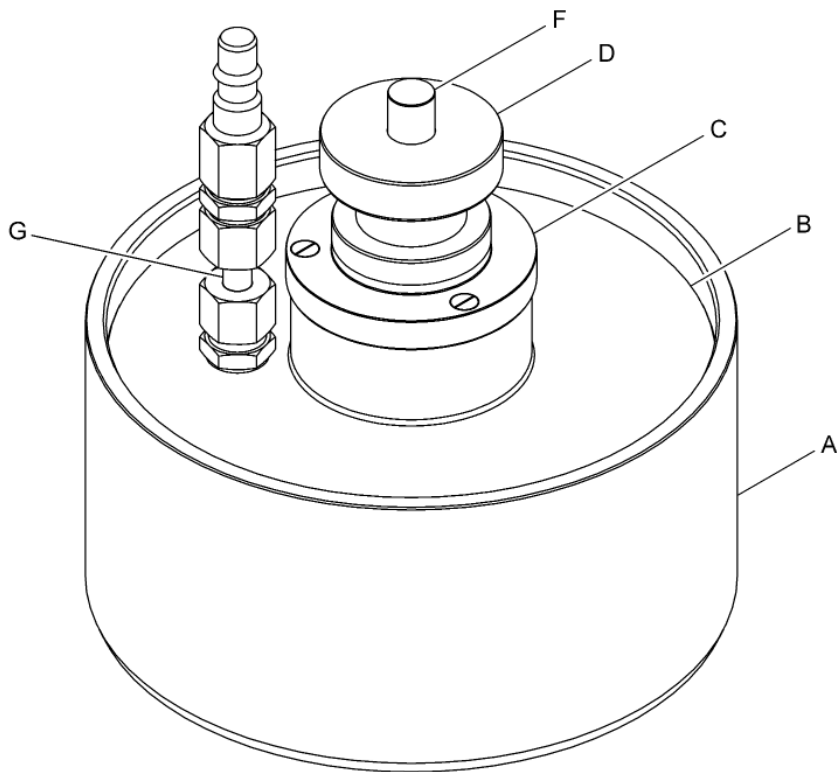
	TOOL			P/N	DESCRIPTION	QTY
	OT No.	Ind.	Ind.			
	60 7100			8813071000	GUIDING STUDS, SET OF 4	1
	60 7100	A		8813071001	. GUIDING STUD	3
	60 7100	B		8813071004	. GUIDING STUD	1

- ITEM NOT ILLUSTRATED

NP NON PROCURABLE

TM4735G001

Description: MAGNETIC SEAL REMOVAL/INSTALLATION TOOL



TURBOMECA ARRIEL 2 C1

MAINTENANCE TOOLS CATALOG

Description	Part Number
MAGNETIC SEAL REMOVAL/INSTALLATION TOOL	TM4735G001

<i>This tool replaces the tool</i>

Supply code	Calibration frequency	Functional criteria check
3 - 2	N/A	N/A

Use	Tool required for the replacement of the Magnetic Seal seal of the transmission shaft of module 01 - Accessory gearbox + transmission.
Use particularity	

Alternate	Part Number	Description
	8813734000	MAGNETIC SEAL REMOVAL/INSTALLATION TOOL

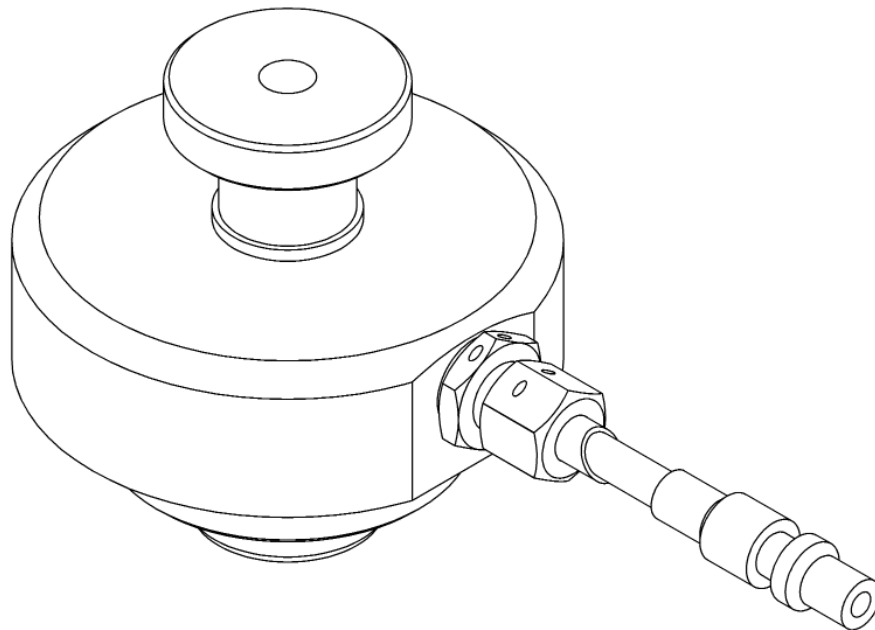
	TOOL			P/N	DESCRIPTION	QTY
	OT No.	Ind.	Ind.			
	60 7110			TM4735G001	MAGNETIC SEAL REMOVAL/INSTALLATION TOOL	1
	60 7110	A		TM4735P001	. PLUNGER BASE	1
	60 7110	B		TM4735P002	. REAR-BASE	1
	60 7110	C		TM4735P003	. FLANGE	1
	60 7110	D		TM4735P004	. SPECIAL NUT	1
-	60 7110	E		TM4735P005	. STOP	1
	60 7110	F		TM4735P006	. STUD M10	1
	60 7110	G		TM4735P010	. TUBE OUTER Ø:6 TH.1 LENGHT 40	1

- ITEM NOT ILLUSTRATED

NP NON PROCURABLE

8813824000

Description: SEALING RING REMOVAL-INSTALLATION TOOL



SAFRAN HELICOPTER ENGINES

ARRIEL 2 C1

MAINTENANCE TOOLS CATALOG

<i>Description</i>	<i>Part Number</i>
SEALING RING REMOVAL-INSTALLATION TOOL	8813824000

<i>This tool replaces the tool</i>

<i>Supply code</i>	<i>Calibration frequency</i>	<i>Functional criteria check</i>
3 - 2	N/A	N/A

<i>Use</i>	Tool for removal and installation of the Magnetic Seal type seals of the starter-generator adapter of module 01.
------------	--

<i>Use particularity</i>	
--------------------------	--

<i>Alternate</i>	<i>Part Number</i>	<i>Description</i>

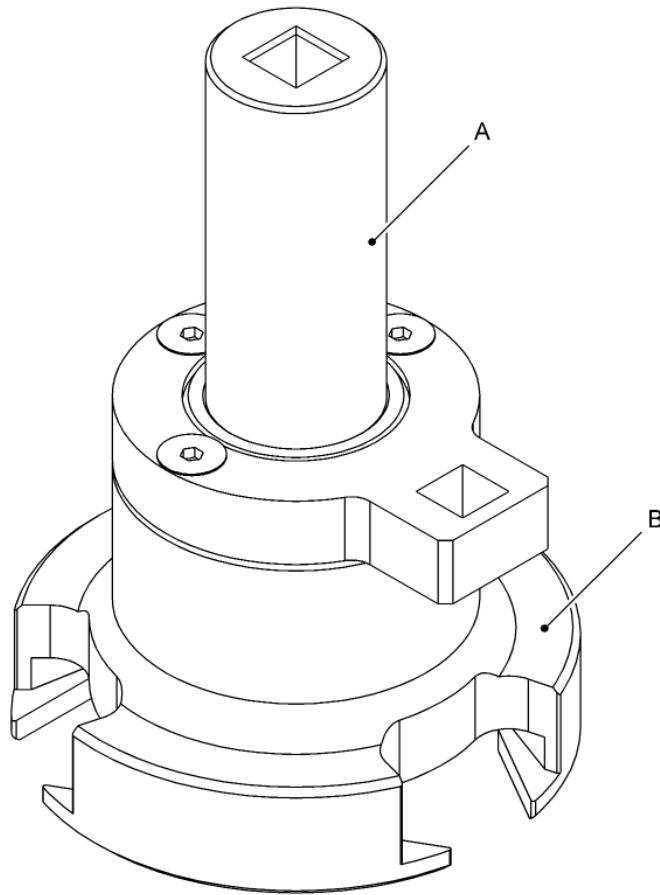
TOOL				P/N	DESCRIPTION	QTY
OT No.	Ind.	Ind.		1 2 3		
			8813824000	SEALING RING REMOVAL-INSTALLATION TOOL	1	
-	60 7130	A	8813824001	. BODY	1	
-	60 7130	B	8813824002	. DETACHABLE SUPPORT	1	
-	60 7130	C	8813824003	. STUD	1	
-	60 7130	D	8813824004	. SERRATED NUT M10 1.50 PIT	1	
-	60 7130	E	8813824005	. PLAIN WASHER	1	
-	60 7130	F	9752010044	. SEAL	1	
-	60 7130	G	9770060034	. DOUBLE UNION	1	
-	60 7130	H	9681502501	. PACKING, PREFORMED	1	
-	60 7130	I	8815099331	. END FITTING	1	

- ITEM NOT ILLUSTRATED

NP NON PROCURABLE

8816082000

Description: WRENCH AND IMMOBILIZATION TOOL



SAFRAN HELICOPTER ENGINES

ARRIEL 2 C1

MAINTENANCE TOOLS CATALOG

<i>Description</i>	<i>Part Number</i>
WRENCH AND IMMOBILIZATION TOOL	8816082000

<i>This tool replaces the tool</i>

<i>Supply code</i>	<i>Calibration frequency</i>	<i>Functional criteria check</i>
3 - 2	N/A	N/A

<i>Use</i>	Tool required for the replacement of the transmission shaft seal, of module 01 - Accessory gearbox + transmission shaft. It is used to install and remove the nut of the output shaft flange.
------------	---

<i>Use particularity</i>	
--------------------------	--

<i>Alternate</i>	<i>Part Number</i>	<i>Description</i>
	8819570000	WRENCH AND IMMOBILIZATION TOOL

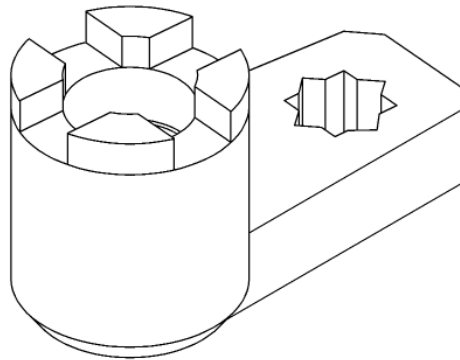
	TOOL			P/N	DESCRIPTION	QTY
	OT No.	Ind.	Ind.			
	60 7160			8816082000	WRENCH AND IMMOBILIZATION TOOL	1
	60 7160	A		8816082009	. WRENCH	1
	60 7160	B		8816082008	. IMMOBILIZATION TOOL	1

- ITEM NOT ILLUSTRATED

NP NON PROCURABLE

8818805000

Description: WRENCH



SAFRAN HELICOPTER ENGINES

ARRIEL 2 C1

MAINTENANCE TOOLS CATALOG

<i>Description</i>	<i>Part Number</i>
WRENCH	8818805000

<i>This tool replaces the tool</i>	8817631000
------------------------------------	-------------------

<i>Supply code</i>	<i>Calibration frequency</i>	<i>Functional criteria check</i>
3 - 2	N/A	N/A

Use	Tool used to remove and install the rear bearing nut.
------------	---

Use particularity	
--------------------------	--

<i>Alternate</i>	<i>Part Number</i>	<i>Description</i>
	TM4301G001	WRENCH

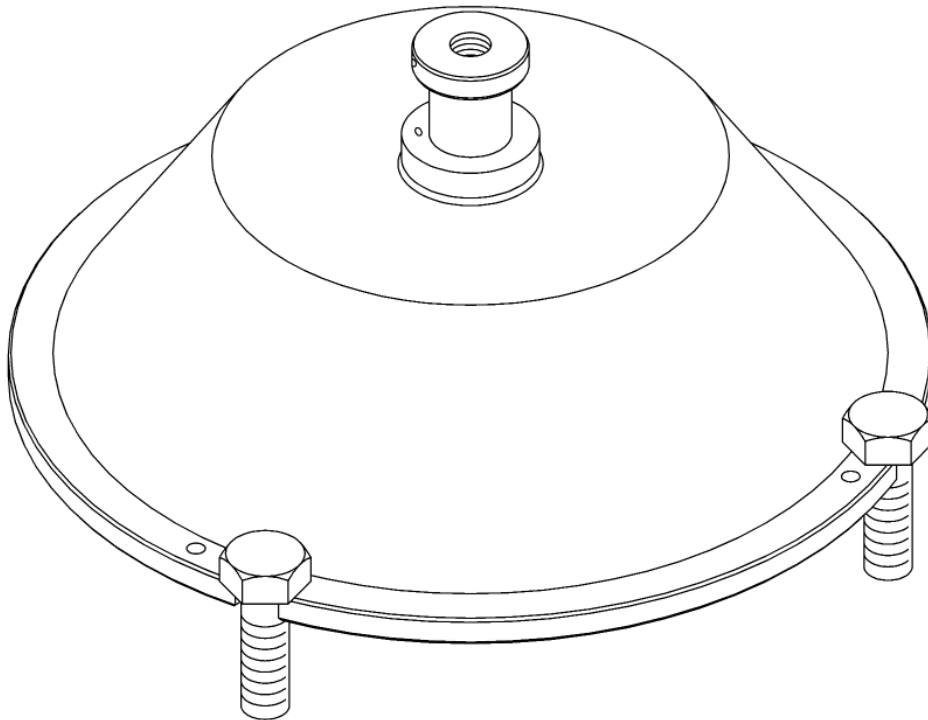
	TOOL			P/N	DESCRIPTION	QTY
	OT No.	Ind.	Ind.			
I	60 7220			8818805000	WRENCH	1

- ITEM NOT ILLUSTRATED

NP NON PROCURABLE

8818828000

Description: LINKING TOOL



SAFRAN HELICOPTER ENGINES

ARRIEL 2 C1

MAINTENANCE TOOLS CATALOG

<i>Description</i>	<i>Part Number</i>
LINKING TOOL	8818828000

<i>This tool replaces the tool</i>

<i>Supply code</i>	<i>Calibration frequency</i>	<i>Functional criteria check</i>
3 - 2	N/A	N/A

<i>Use</i>	Tool used to protect and hold the rotating assembly of the module 03 - Gas generator. Use it after the removal of the module 02 - Compressor if the module 03 - Gas generator remains stored or is waiting to be moved.
------------	---

<i>Use particularity</i>	
--------------------------	--

<i>Alternate</i>	<i>Part Number</i>	<i>Description</i>

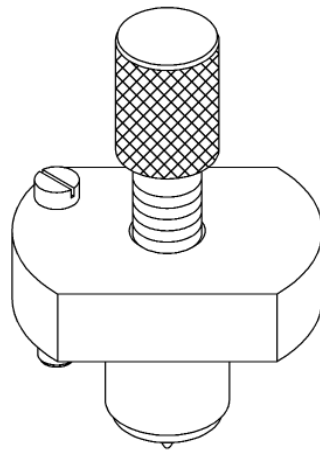
	TOOL			P/N	DESCRIPTION	QTY
	OT No.	Ind.	Ind.			
I	60 7250			8818828000	LINKING TOOL	1

- ITEM NOT ILLUSTRATED

NP NON PROCURABLE

8818837000

Description: GEAR CLAMPING TOOL



TURBOMECA ARRIEL 2 C1

<i>Description</i>	<i>Part Number</i>
GEAR CLAMPING TOOL	8818837000

<i>This tool replaces the tool</i>

<i>Supply code</i>	<i>Calibration frequency</i>	<i>Functional criteria check</i>
3 - 2	N/A	N/A

<i>Use</i>	Tool used to clamp the gear.
------------	------------------------------

<i>Use particularity</i>	
--------------------------	--

<i>Alternate</i>	<i>Part Number</i>	<i>Description</i>

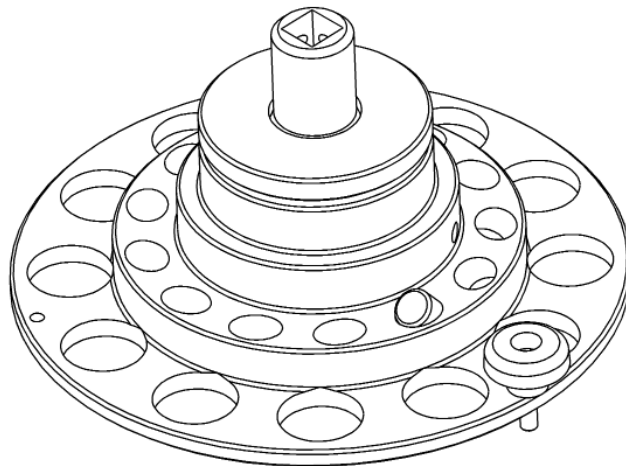
TOOL				P/N	DESCRIPTION	QTY
OT No.	Ind.	Ind.		1 2 3		
60 7330				8818837000	GEAR CLAMPING TOOL	1

- ITEM NOT ILLUSTRATED

NP NON PROCURABLE

8819527000

*Description: LOOSENING/TIGHTENING TOOL ASSEMBLY FOR INLET
CONE*



TURBOMECA ARRIEL 2 C1

<i>Description</i>	<i>Part Number</i>
LOOSENING/TIGHTENING TOOL ASSEMBLY FOR INLET CONE	8819527000

<i>This tool replaces the tool</i>

<i>Supply code</i>	<i>Calibration frequency</i>	<i>Functional criteria check</i>
3 - 2	N/A	N/A

<i>Use</i>	Tool used to install and remove the inlet cone from the module 02 - Compressor.
------------	---

<i>Use particularity</i>	
--------------------------	--

<i>Alternate</i>	<i>Part Number</i>	<i>Description</i>

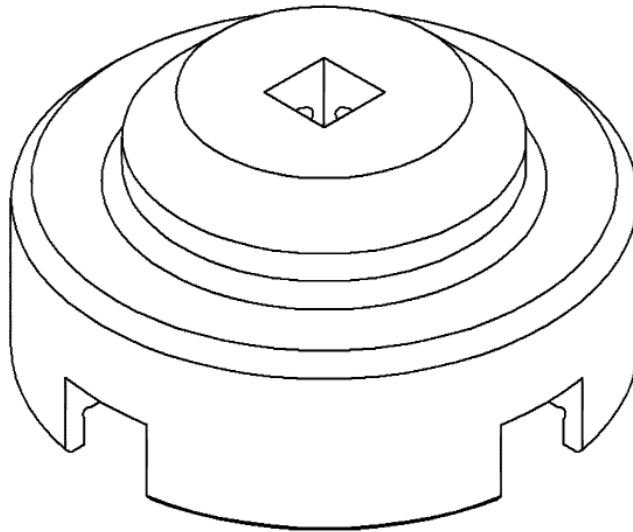
TOOL				P/N	DESCRIPTION	QTY
OT No.	Ind.	Ind.		1 2 3		
60 7380				8819527000	LOOSENING/TIGHTENING TOOL ASSEMBLY FOR INLET CONE	1
- 60 7380	A			8819527002	. RATCHET WRENCH	1
- 60 7380	B			8819527003	. GUIDE	1
- 60 7380	C			8819527005	. CAPTIVE SCREW	1
- 60 7380	D			8819527006	. PIN	1
- 60 7380	E			8819527001	. IMMOBILIZER	1

- ITEM NOT ILLUSTRATED

NP NON PROCURABLE

8819683000

Description: WRENCH



TURBOMECA ARRIEL 2 C1

MAINTENANCE TOOLS CATALOG

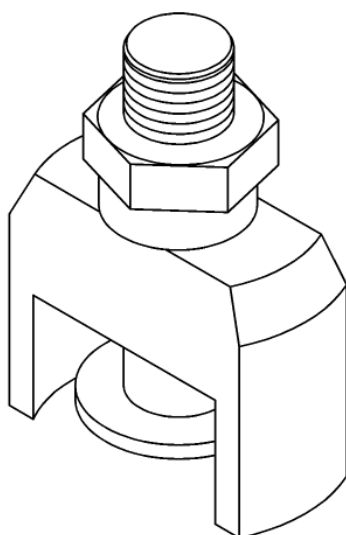
<i>Description</i>		<i>Part Number</i>			
WRENCH		8819683000			
<i>This tool replaces the tool</i>					
<i>Supply code</i>	<i>Calibration frequency</i>	<i>Functional criteria check</i>			
3 - 2	N/A	N/A			
<i>Use</i>	Tool required to removal oil filter cover.				
<i>Use particularity</i>					
<i>Alternate</i>	<i>Part Number</i>		<i>Description</i>		
TOOL					
OT No.	Ind.	Ind.	P/N	DESCRIPTION	QTY
60 7400			8819683000	WRENCH	1

- ITEM NOT ILLUSTRATED

NP NON PROCURABLE

8819952000

Description: DEOILER COVER REMOVAL TOOL



TURBOMECA ARRIEL 2 C1

MAINTENANCE TOOLS CATALOG

<i>Description</i>	<i>Part Number</i>
DEOILER COVER REMOVAL TOOL	8819952000

<i>This tool replaces the tool</i>

<i>Supply code</i>	<i>Calibration frequency</i>	<i>Functional criteria check</i>
3 - 2	N/A	N/A

Use	Tool for removal-installation of deoiler cover of module 01.
------------	--

Use particularity	
--------------------------	--

<i>Alternate</i>	<i>Part Number</i>	<i>Description</i>

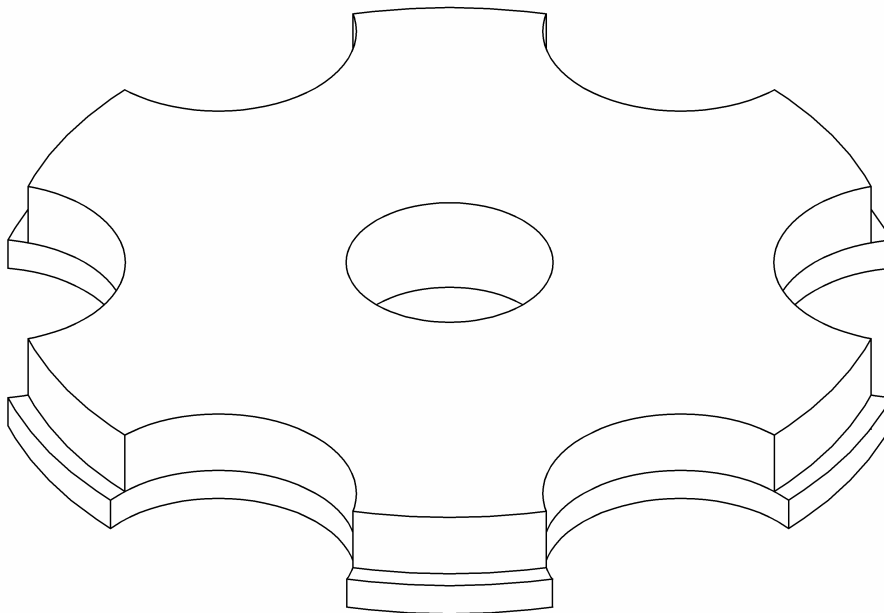
TOOL				P/N	DESCRIPTION	QTY
OT No.	Ind.	Ind.	1 2 3			
	60 7420			8819952000	DEOILER COVER REMOVAL TOOL	1
-	60 7420	A		8819952001	. BODY	1
-	60 7420	B		8819952002	. BOLT	1
-	60 7420	C		8819952003	. NUT	1

- ITEM NOT ILLUSTRATED

NP NON PROCURABLE

8819958000

Description: SEGMENT HOLDING TOOL



TURBOMECA ARRIEL 2 C1

MAINTENANCE TOOLS CATALOG

<i>Description</i>	<i>Part Number</i>
SEGMENT HOLDING TOOL	8819958000

<i>This tool replaces the tool</i>

<i>Supply code</i>	<i>Calibration frequency</i>	<i>Functional criteria check</i>
3 - 2	N/A	N/A

Use	Tool used to install the rear bearing support segment. It is used to hold both segments into the rear bearing support groove, while glue polymerizes.
Use particularity	

Alternate	<i>Part Number</i>	<i>Description</i>

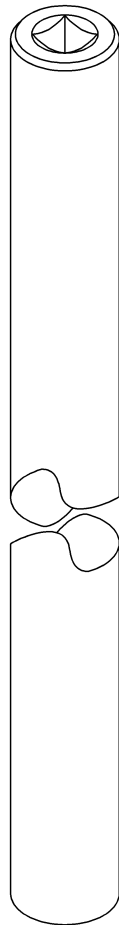
TOOL				P/N	DESCRIPTION	QTY
OT No.	Ind.	Ind.		1 2 3		
60 7430			8819958000	SEGMENT HOLDING TOOL		1

- ITEM NOT ILLUSTRATED

NP NON PROCURABLE

TM1463G001

Description: SPECIAL WRENCH



TURBOMECA ARRIEL 2 C1

MAINTENANCE TOOLS CATALOG

<i>Description</i>	<i>Part Number</i>
SPECIAL WRENCH	TM1463G001

<i>This tool replaces the tool</i>

<i>Supply code</i>	<i>Calibration frequency</i>	<i>Functional criteria check</i>
3 - 2	N/A	N/A

Use	Tool necessary for the installation of the Module 02 - Compressor. It is used to tighten the axial nut of the Module 02 - Compressor.
Use particularity	THIS TOOL IS USED BEFORE THE EXTENTION TIGHTENING PROCEDURE OF THE AXIAL BOLT.

<i>Alternate</i>	<i>Part Number</i>	<i>Description</i>

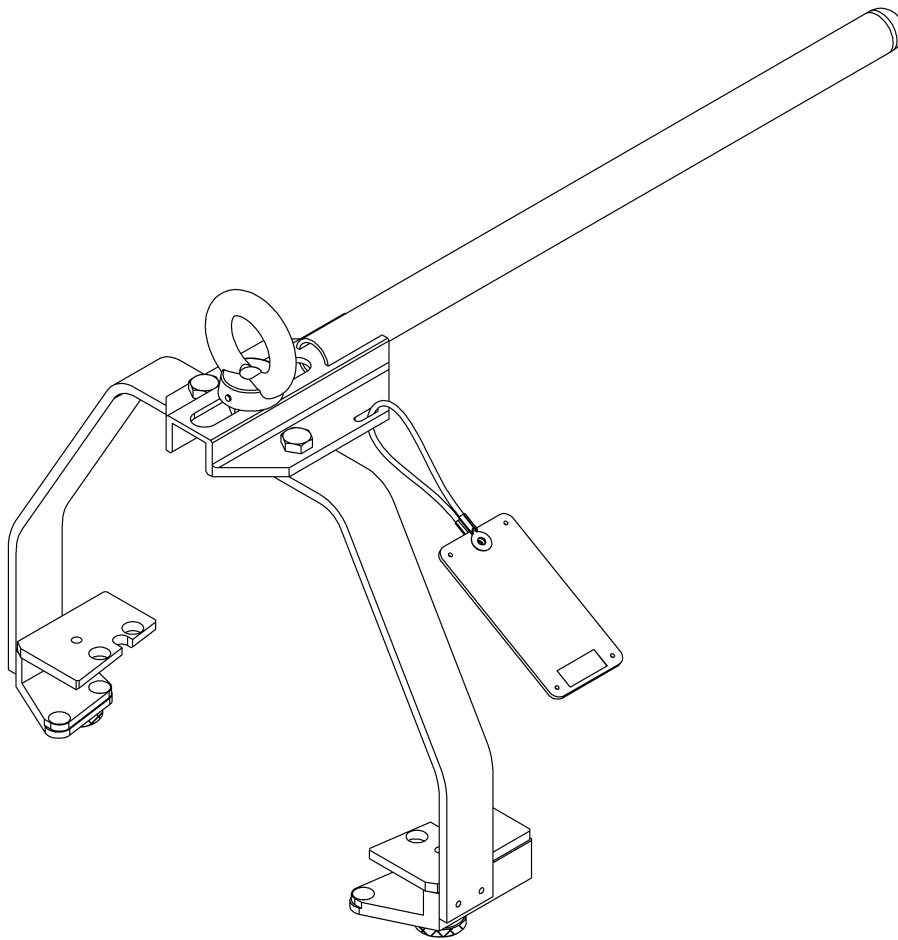
TOOL				P/N	DESCRIPTION	QTY
OT No.	Ind.	Ind.	1 2 3			
60 7530				TM1463G001	SPECIAL WRENCH	1

- ITEM NOT ILLUSTRATED

NP NON PROCURABLE

8818841000

Description: HOISTING BEAM



TURBOMECA ARRIEL 2 C1

MAINTENANCE TOOLS CATALOG

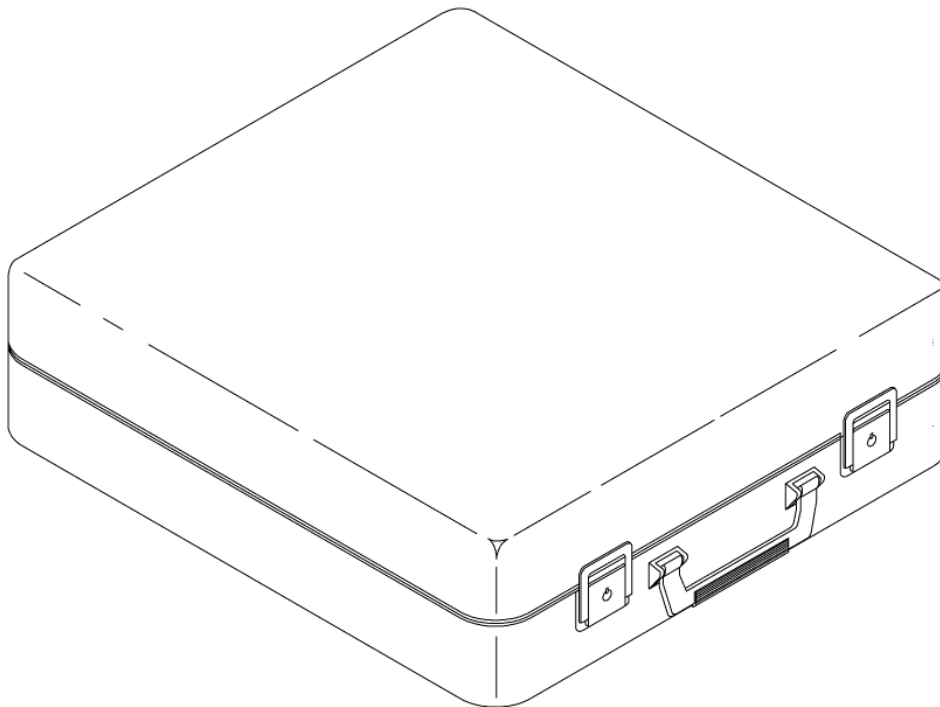
<i>Description</i>		<i>Part Number</i>	
HOISTING BEAM		8818841000	
<i>This tool replaces the tool</i>			
<i>Supply code</i>	<i>Calibration frequency</i>	<i>Functional criteria check</i>	
3 - 2	N/A	N/A	
<i>Use</i>	Tool used for module 05 - Reduction gearbox handling and guiding. Use it to remove, install and replace the module 05 - Reduction gearbox.		
<i>Use particularity</i>			
<i>Alternate</i>	<i>Part Number</i>		<i>Description</i>
	TM4417G002		LIFTING DEVICE
TOOL			
OT No.	Ind.	P/N	DESCRIPTION
			1 2 3
- 60 7580		8818841000	HOISTING BEAM
- 60 7580	A	8818841002	. PLATE, RH
- 60 7580	B	8818841003	. PLATE, LH
- 60 7580	C	8818841009	. SCREW, KNURLED
			QTY
			1
			1
			1
			1

- ITEM NOT ILLUSTRATED

NP NON PROCURABLE

TM0588G001

Description: HYDRAULIC UNIT



SAFRAN HELICOPTER ENGINES

ARRIEL 2 C1

MAINTENANCE TOOLS CATALOG

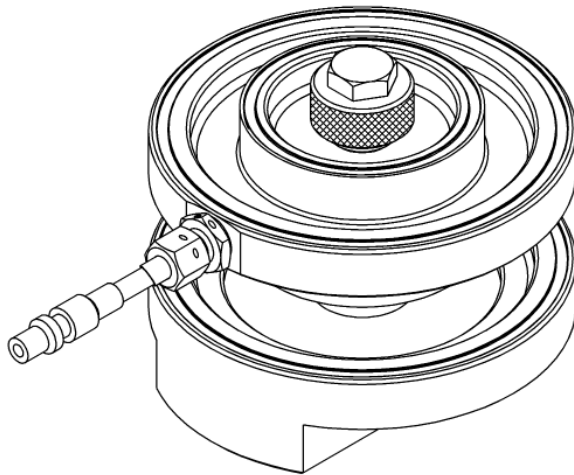
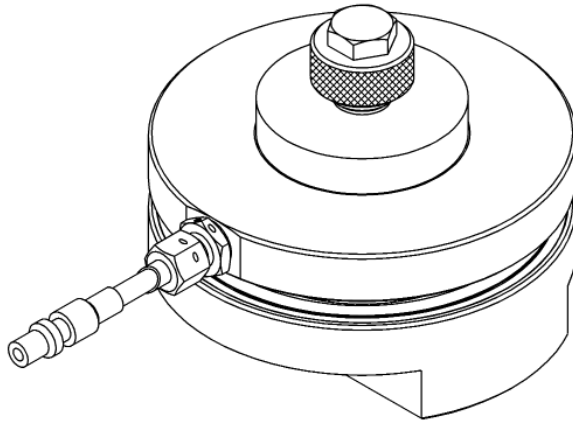
<i>Description</i>		<i>Part Number</i>			
HYDRAULIC UNIT		TM0588G001			
<i>This tool replaces the tool</i>					
<i>Supply code</i>	<i>Calibration frequency</i>	<i>Functional criteria check</i>			
3 - 1	12	N/A			
<i>Use</i>	Tool required for the removal, installation and replacement of the module 02 - Compressor. It is used to tighten the attaching nut of the engine rotating assembly, through elongation.				
<i>Use particularity</i>	It is used with tool 8819681000 or TM1040G002				
<i>Alternate</i>	<i>Part Number</i>	<i>Description</i>			
	8819712000 or 8813996000	HYDRAULIC UNIT			
TOOL			P/N	DESCRIPTION	QTY
OT No.	Ind.	Ind.	1 2 3		
60 7590			TM0588G001	HYDRAULIC UNIT	1

- ITEM NOT ILLUSTRATED

NP NON PROCURABLE

TM0357G004

Description: MAGNETIC SEAL INSTALLATION/REMOVAL TOOL



SAFRAN HELICOPTER ENGINES

ARRIEL 2 C1

MAINTENANCE TOOLS CATALOG

Description	Part Number
MAGNETIC SEAL INSTALLATION/REMOVAL TOOL	TM0357G004

<i>This tool replaces the tool</i>	TM0357G003
------------------------------------	------------

Supply code	Calibration frequency	Functional criteria check
3 - 2	N/A	N/A

Use	
------------	--

Use particularity	
--------------------------	--

Alternate	Part Number	Description

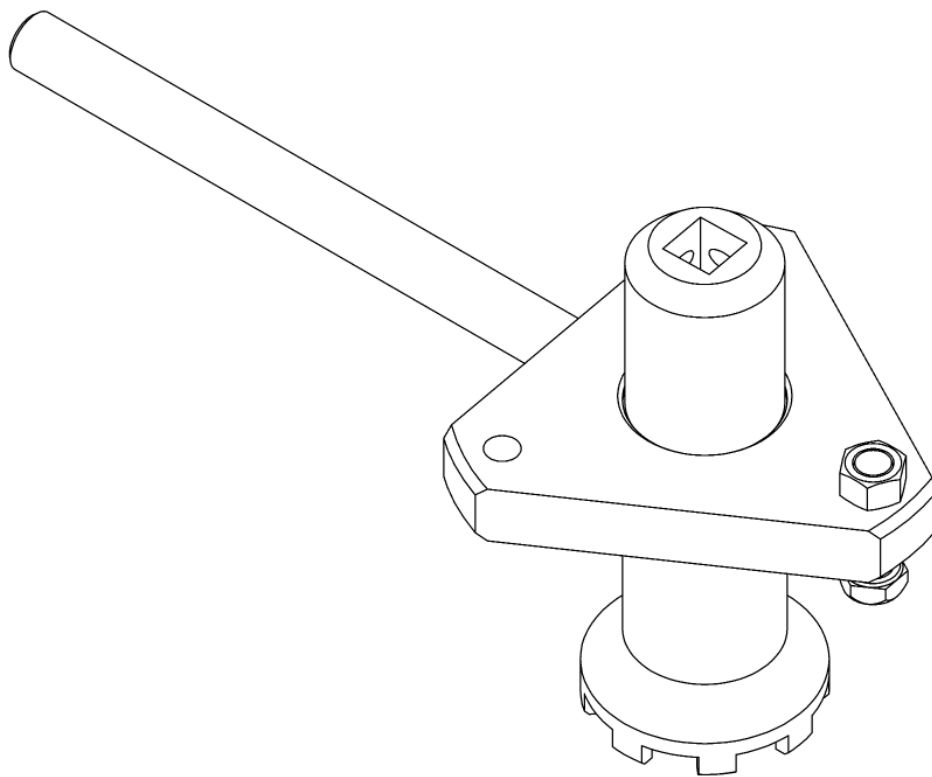
TOOL	OT No.	Ind.	Ind.	P/N	DESCRIPTION	QTY
	60 7660			TM0357G004	MAGNETIC SEAL INSTALLATION/REMOVAL TOOL	1
-	60 7660	A		TM0357P015	. BASE	1
-	60 7660	B		TM0357P016	. FLANGE	1
-	60 7660	C		8815099331	. END FITTING	1
-	60 7660	D		9770060034	. DOUBLE UNION	1
-	60 7660	E		9752010044	. SEAL	1
-	60 7660	F		TM0357P013	. BONDED SEAL	1
-	60 7660	G		TM0357P014	. STUD	1
-	60 7660	H		TM0357P012	. KNURLED NUT	1
-	60 7660	I		TM0357P006	. PACKING, PREFORMED	1
-	60 7660	J		TM0357P007	. PACKING, PREFORMED	2
-	60 7660	K		9682506601	. PACKING, PREFORMED	1

- ITEM NOT ILLUSTRATED

NP NON PROCURABLE

8819570000

Description: WRENCH AND IMMOBILIZATION TOOL



SAFRAN HELICOPTER ENGINES

ARRIEL 2 C1

MAINTENANCE TOOLS CATALOG

<i>Description</i>	<i>Part Number</i>
WRENCH AND IMMOBILIZATION TOOL	8819570000

<i>This tool replaces the tool</i>	8816082000
------------------------------------	-------------------

<i>Supply code</i>	<i>Calibration frequency</i>	<i>Functional criteria check</i>
3 - 2	N/A	N/A

<i>Use</i>	Tool required for the replacement of the transmission shaft seal, of module 01 - Accessory gearbox + transmission shaft. It is used to install and remove the nut of the output shaft flange.
------------	---

<i>Use particularity</i>	
--------------------------	--

<i>Alternate</i>	<i>Part Number</i>	<i>Description</i>
	8816082000	WRENCH AND IMMOBILIZATION TOOL

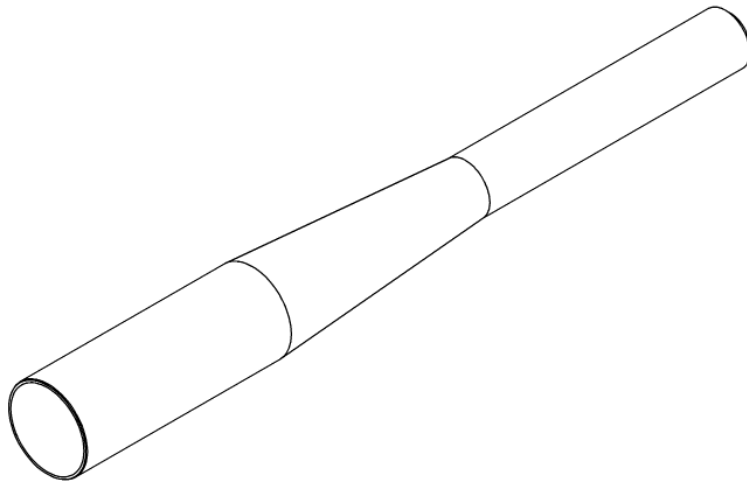
	TOOL			P/N	DESCRIPTION	QTY
	OT No.	Ind.	Ind.			
					1 2 3	
	60 7670			8819570000	WRENCH AND IMMOBILIZATION TOOL	1
-	60 7670	A		8819570001	. IMMOBILIZATION TOOL	1
-	60 7670	B		8819570002	. WRENCH	1
-	60 7670	C		9610051570	. NUT	1

- ITEM NOT ILLUSTRATED

NP NON PROCURABLE

TM5676G001

Description: ASSEMBLY CONE



TURBOMECA ARRIEL 2 C1

<i>Description</i>	<i>Part Number</i>
ASSEMBLY CONE	TM5676G001

<i>This tool replaces the tool</i>

<i>Supply code</i>	<i>Calibration frequency</i>	<i>Functional criteria check</i>
3 - 2	N/A	N/A

<i>Use</i>	
------------	--

<i>Use particularity</i>	
--------------------------	--

<i>Alternate</i>	<i>Part Number</i>	<i>Description</i>

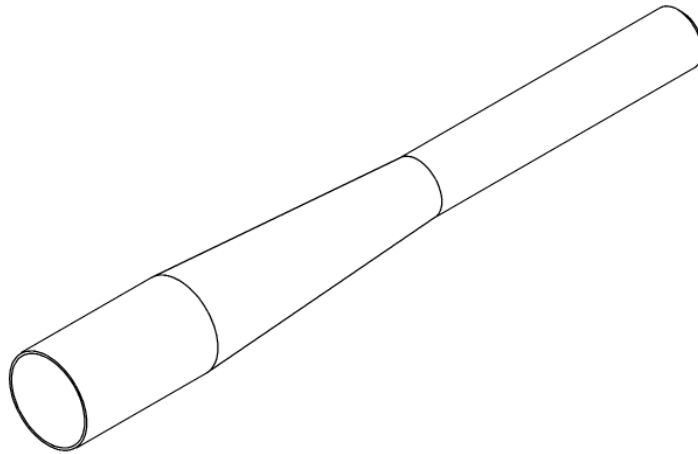
	TOOL			P/N	DESCRIPTION	QTY
	OT No.	Ind.	Ind.			
1	60 7810			TM5676G001	ASSEMBLY CONE	1

- ITEM NOT ILLUSTRATED

NP NON PROCURABLE

TM5677G001

Description: ASSEMBLY CONE



TURBOMECA ARRIEL 2 C1

<i>Description</i>	<i>Part Number</i>
ASSEMBLY CONE	TM5677G001

<i>This tool replaces the tool</i>

<i>Supply code</i>	<i>Calibration frequency</i>	<i>Functional criteria check</i>
3 - 2	N/A	N/A

<i>Use</i>	
------------	--

<i>Use particularity</i>	
--------------------------	--

<i>Alternate</i>	<i>Part Number</i>	<i>Description</i>

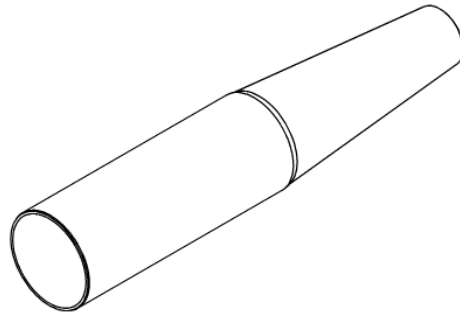
	TOOL			P/N	DESCRIPTION	QTY
	OT No.	Ind.	Ind.			
I	60 7820			TM5677G001	ASSEMBLY CONE	1

- ITEM NOT ILLUSTRATED

NP NON PROCURABLE

TM6143G001

Description: MOUNTING CONE



TURBOMECA ARRIEL 2 C1

<i>Description</i>	<i>Part Number</i>
MOUNTING CONE	TM6143G001

<i>This tool replaces the tool</i>

<i>Supply code</i>	<i>Calibration frequency</i>	<i>Functional criteria check</i>
3 - 2	N/A	N/A

<i>Use</i>	
------------	--

<i>Use particularity</i>	
--------------------------	--

<i>Alternate</i>	<i>Part Number</i>	<i>Description</i>

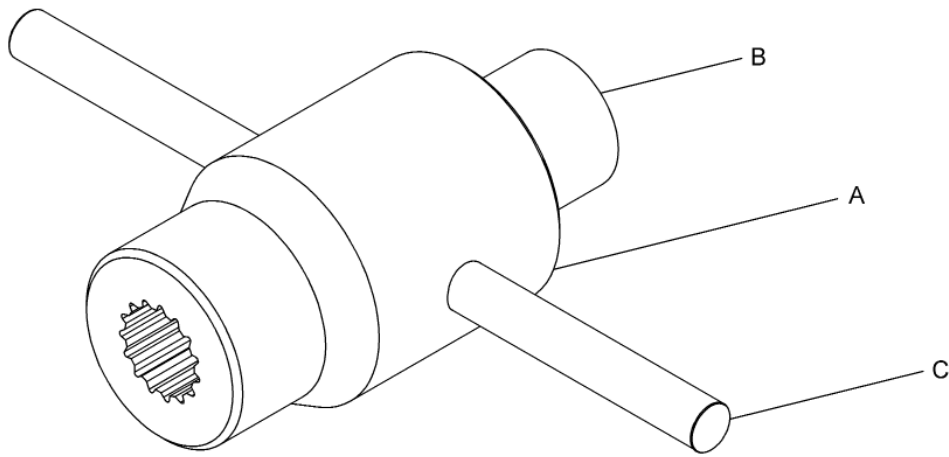
	TOOL			P/N	DESCRIPTION	QTY
	OT No.	Ind.	Ind.			
1	60 7830			TM6143G001	MOUNTING CONE	1

- ITEM NOT ILLUSTRATED

NP NON PROCURABLE

TM4975G001

Description: DRIVING WRENCH



TURBOMECA ARRIEL 2 C1

MAINTENANCE TOOLS CATALOG

<i>Description</i>	<i>Part Number</i>
DRIVING WRENCH	TM4975G001

<i>This tool replaces the tool</i>

<i>Supply code</i>	<i>Calibration frequency</i>	<i>Functional criteria check</i>
3 - 2	N/A	N/A

<i>Use</i>	
------------	--

<i>Use particularity</i>	
--------------------------	--

<i>Alternate</i>	<i>Part Number</i>	<i>Description</i>

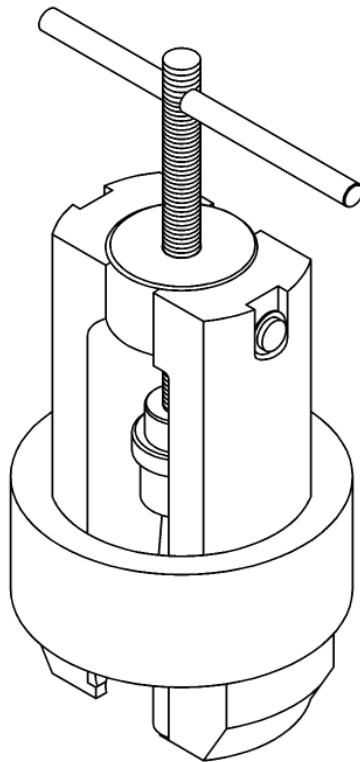
	TOOL			P/N	DESCRIPTION	QTY
	OT No.	Ind.	Ind.			
1	60 7840			TM4975G001	DRIVING WRENCH	1

- ITEM NOT ILLUSTRATED

NP NON PROCURABLE

8818691000

Description: EXTRACTOR



TURBOMECA ARRIEL 2 C1

MAINTENANCE TOOLS CATALOG

<i>Description</i>	<i>Part Number</i>
EXTRACTOR	8818691000

<i>This tool replaces the tool</i>

<i>Supply code</i>	<i>Calibration frequency</i>	<i>Functional criteria check</i>
3 - 2	N/A	N/A

<i>Use</i>	Tool used to remove the VARILIP seal.
------------	---------------------------------------

<i>Use particularity</i>	
--------------------------	--

<i>Alternate</i>	<i>Part Number</i>	<i>Description</i>

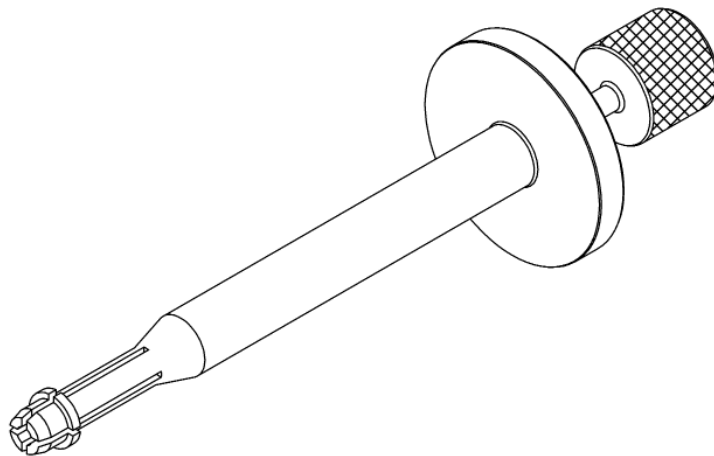
TOOL				P/N	DESCRIPTION	QTY
OT No.	Ind.	Ind.		1 2 3		
70 0010			8818691000	EXTRACTOR		1

- ITEM NOT ILLUSTRATED

NP NON PROCURABLE

TM3261G001

Description: SEAL EXTRACTOR



TURBOMECA ARRIEL 2 C1

MAINTENANCE TOOLS CATALOG

<i>Description</i>	<i>Part Number</i>
SEAL EXTRACTOR	TM3261G001

<i>This tool replaces the tool</i>

<i>Supply code</i>	<i>Calibration frequency</i>	<i>Functional criteria check</i>
3 - 2	N/A	N/A

<i>Use</i>	Tool used to remove the Module 03 oil tube copper seals
------------	---

<i>Use particularity</i>	
--------------------------	--

<i>Alternate</i>	<i>Part Number</i>	<i>Description</i>

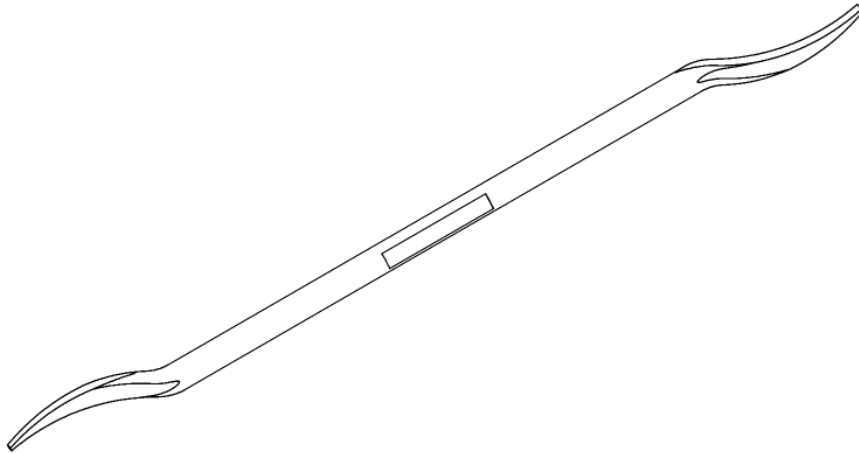
TOOL				P/N	DESCRIPTION	QTY
OT No.	Ind.	Ind.	1 2 3			
70 3010				TM3261G001	SEAL EXTRACTOR	1

- ITEM NOT ILLUSTRATED

NP NON PROCURABLE

8810007009

Description: UNLOCK TOOL



TURBOMECA ARRIEL 2 C1

MAINTENANCE TOOLS CATALOG

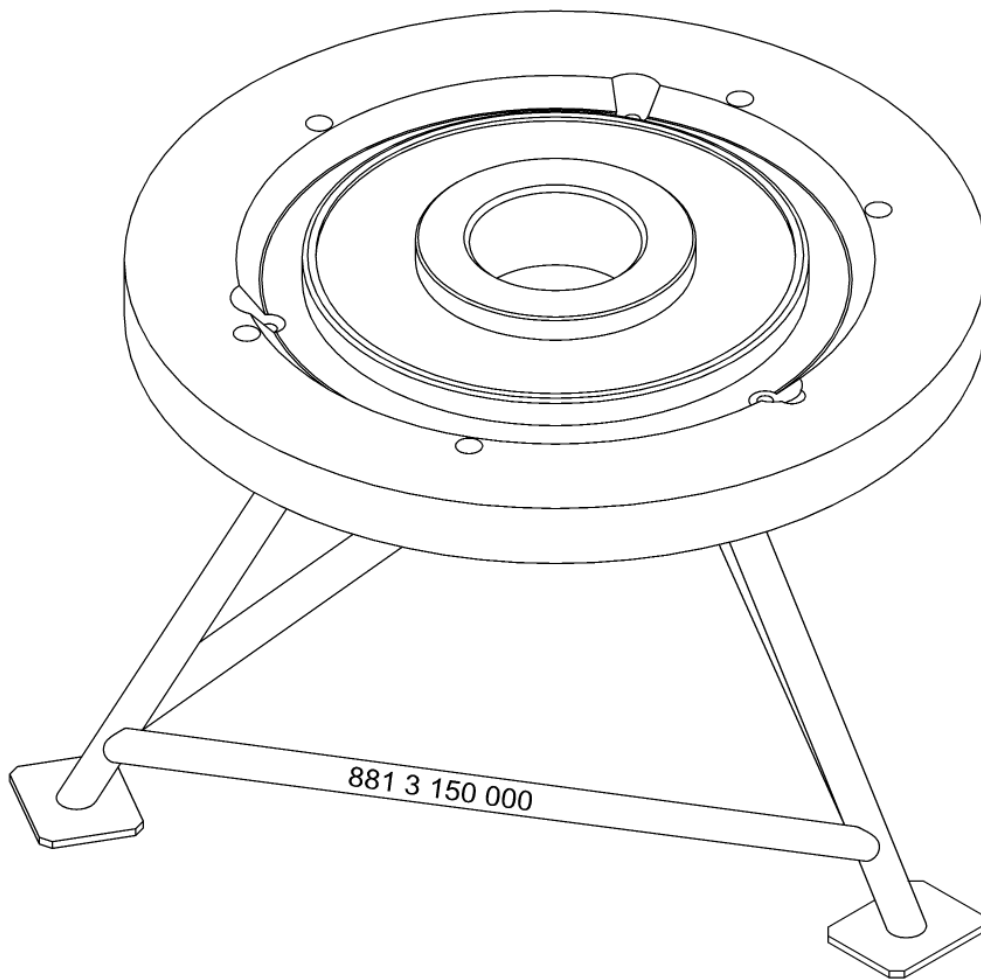
<i>Description</i>		<i>Part Number</i>				
UNLOCK TOOL		8810007009				
<i>This tool replaces the tool</i>						
<i>Supply code</i>	<i>Calibration frequency</i>	<i>Functional criteria check</i>				
3 - 2	N/A	N/A				
<i>Use</i>						
<i>Use particularity</i>						
<i>Alternate</i>	<i>Part Number</i>	<i>Description</i>				
TOOL				P/N	DESCRIPTION	QTY
OT No.	Ind.	Ind.	1 2 3			
70 3020				8810007009	UNLOCK TOOL	1

- ITEM NOT ILLUSTRATED

NP NON PROCURABLE

881315000

Description: TRIPOD (GAS GENERATOR SUPPORT)



TURBOMECA ARRIEL 2 C1

MAINTENANCE TOOLS CATALOG

<i>Description</i>	<i>Part Number</i>
TRIPOD (GAS GENERATOR SUPPORT)	8813150000

<i>This tool replaces the tool</i>

<i>Supply code</i>	<i>Calibration frequency</i>	<i>Functional criteria check</i>
3 - 2	N/A	N/A

Use	Tool required for module 01 - Accessory gearbox + transmission shaft removal and installation procedures. It is used to hold the gas generator - power turbine assembly when work is done on the module 01 - Accessory gearbox + transmission shaft.
------------	--

Use particularity	
--------------------------	--

<i>Alternate</i>	<i>Part Number</i>	<i>Description</i>

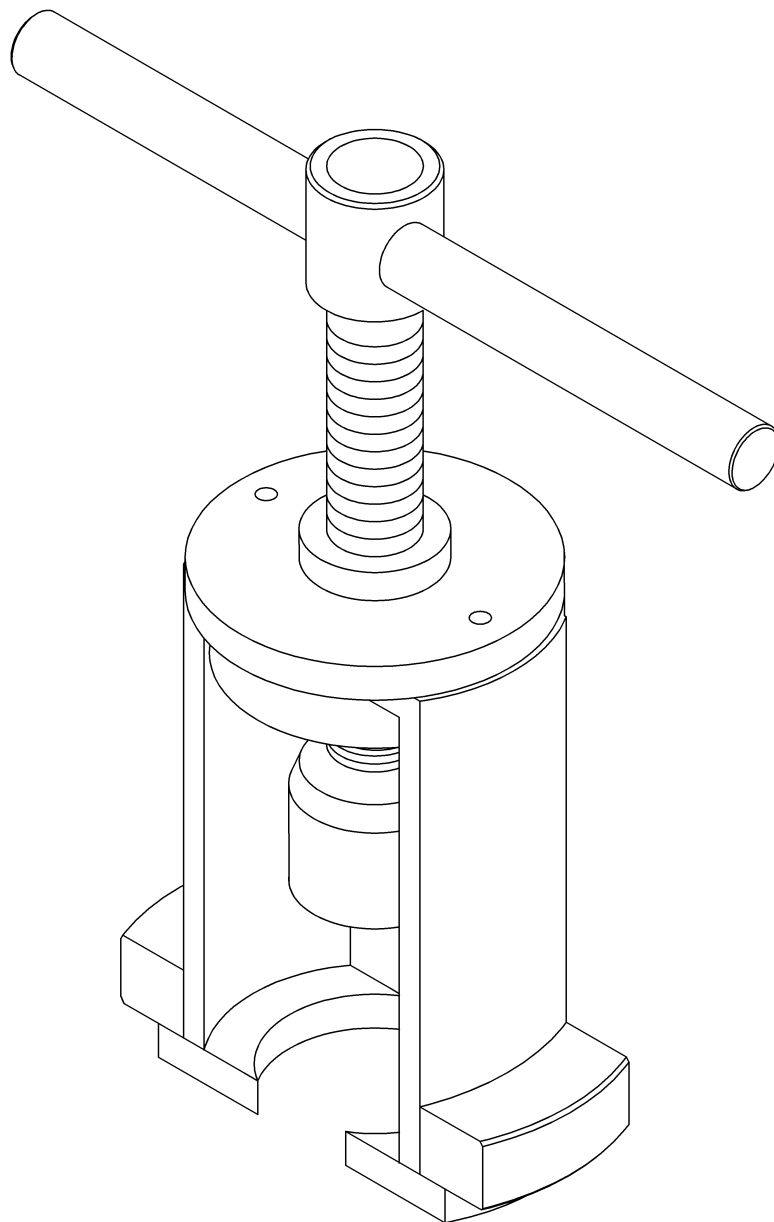
	TOOL			P/N	DESCRIPTION	QTY
	OT No.	Ind.	Ind.			
I	70 7070			8813150000	1 2 3 TRIPOD (GAS GENERATOR SUPPORT)	1

- ITEM NOT ILLUSTRATED

NP NON PROCURABLE

8818804000

Description: REAR BEARING, BEARING INNER RING, EXTRACTOR



TURBOMECA ARRIEL 2 C1

<i>Description</i>	<i>Part Number</i>
REAR BEARING, BEARING INNER RING, EXTRACTOR	8818804000

<i>This tool replaces the tool</i>

<i>Supply code</i>	<i>Calibration frequency</i>	<i>Functional criteria check</i>
3 - 2	N/A	N/A

<i>Use</i>	Tool used to remove the bearing inner ring of the rear bearing.
------------	---

<i>Use particularity</i>	
--------------------------	--

<i>Alternate</i>	<i>Part Number</i>	<i>Description</i>

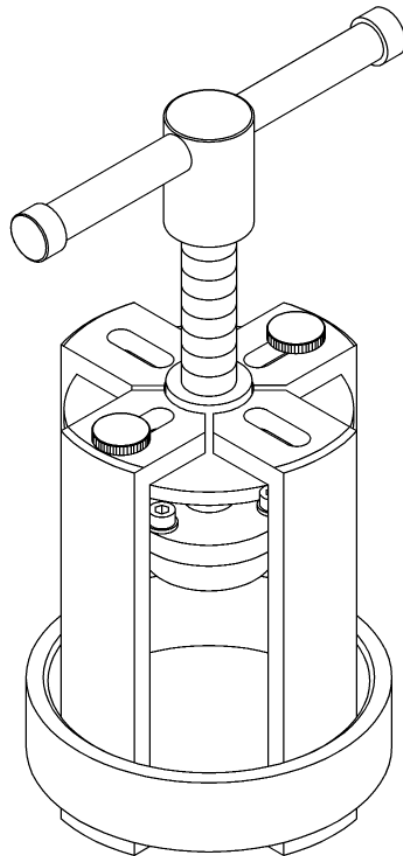
	TOOL			P/N	DESCRIPTION	QTY
	OT No.	Ind.	Ind.			
					1 2 3	
	70 7140			8818804000	REAR BEARING, BEARING INNER RING, EXTRACTOR	1
-	70 7140	A		8818804001	. BODY	1
-	70 7140	B		8818804002	. SCREW	1
-	70 7140	C		8818804003	. RING	1
-	70 7140	D		8818804004	. SKID	1
-	70 7140	E		8818804005	. JAWS, SET OF TWO	1

- ITEM NOT ILLUSTRATED

NP NON PROCURABLE

8818842000

Description: EXTRACTOR FOR POWER SHAFT BEARING



TURBOMECA ARRIEL 2 C1

<i>Description</i>	<i>Part Number</i>
EXTRACTOR FOR POWER SHAFT BEARING	8818842000

<i>This tool replaces the tool</i>

<i>Supply code</i>	<i>Calibration frequency</i>	<i>Functional criteria check</i>
3 - 2	N/A	N/A

<i>Use</i>	Tool necessary for removal of the bearing power shaft.
------------	--

<i>Use particularity</i>	
--------------------------	--

<i>Alternate</i>	<i>Part Number</i>	<i>Description</i>

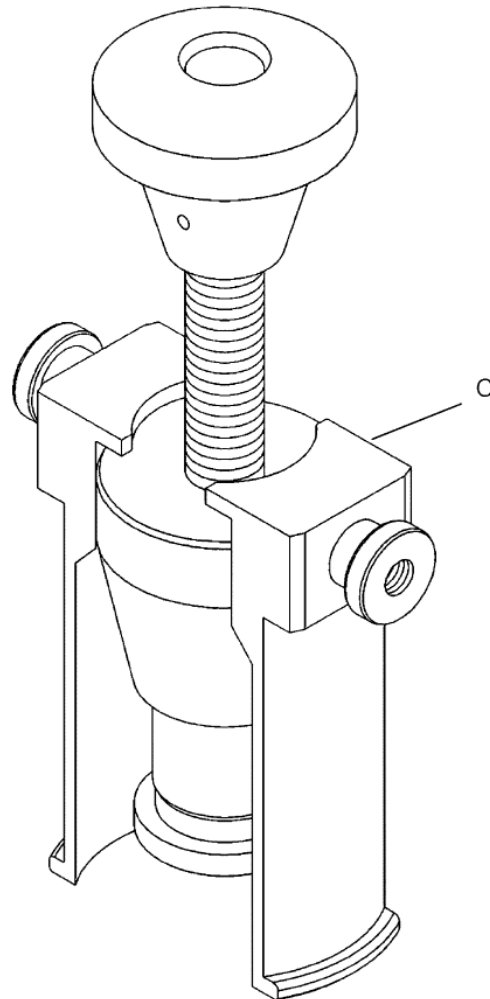
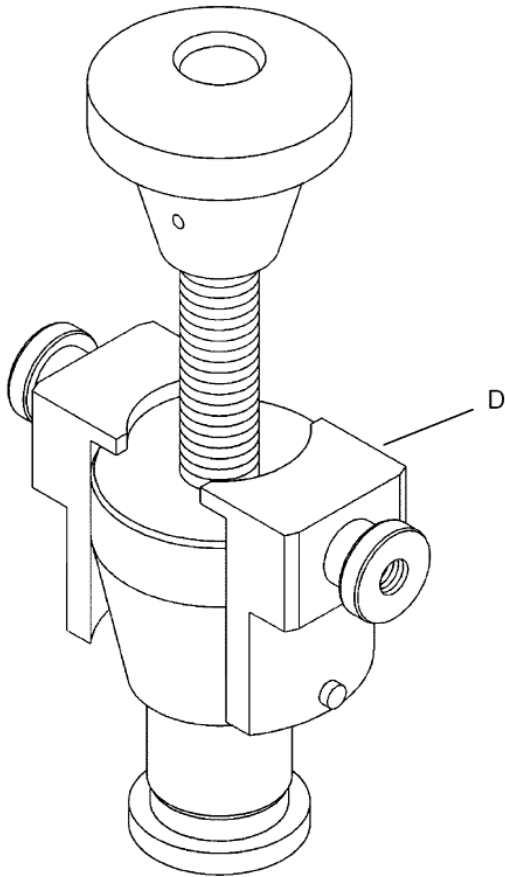
	TOOL			P/N	DESCRIPTION	QTY
	OT No.	Ind.	Ind.			
-	70 7160			8818842000	EXTRACTOR FOR POWER SHAFT BEARING	1
	70 7160	A		8818842001	. SET OF TWO CLAWS	1

- ITEM NOT ILLUSTRATED

NP NON PROCURABLE

8819653000

Description: EXTRACTOR



SAFRAN HELICOPTER ENGINES

ARRIEL 2 C1

MAINTENANCE TOOLS CATALOG

<i>Description</i>	<i>Part Number</i>
EXTRACTOR	8819653000

<i>This tool replaces the tool</i>

<i>Supply code</i>	<i>Calibration frequency</i>	<i>Functional criteria check</i>
3 - 2	N/A	N/A

<i>Use</i>	Tool required to removal the oil filter heat exchanger.
------------	---

<i>Use particularity</i>	
--------------------------	--

<i>Alternate</i>	<i>Part Number</i>	<i>Description</i>

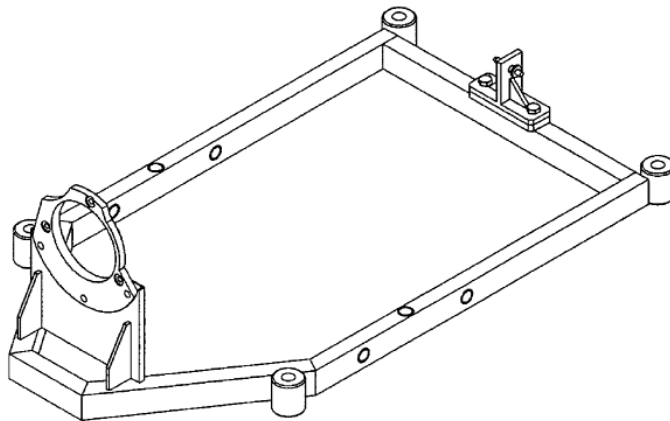
TOOL				P/N	DESCRIPTION	QTY
OT No.	Ind.	Ind.		1 2 3		
				8819653000	EXTRACTOR	1
-		A		8819653001	. CORE	1
-		B		8819653002	. SCREW	1
		C		8819653003	. SET OF EXCHANGER CLAWS	1
		D		8819653004	. SET OF NGV CLAWS	1

- ITEM NOT ILLUSTRATED

NP NON PROCURABLE

8819114000

Description: ENGINE SUPPORT MOUNT



SAFRAN HELICOPTER ENGINES

ARRIEL 2 C1

MAINTENANCE TOOLS CATALOG

<i>Description</i>	<i>Part Number</i>
ENGINE SUPPORT MOUNT	8819114000

<i>This tool replaces the tool</i>

<i>Supply code</i>	<i>Calibration frequency</i>	<i>Functional criteria check</i>
3 - 2	N/A	N/A

<i>Use</i>	Tool used to install the engine : - On a trolley to transport it to workshop - In a container for storage.
------------	--

<i>Use particularity</i>	
--------------------------	--

<i>Alternate</i>	<i>Part Number</i>	<i>Description</i>

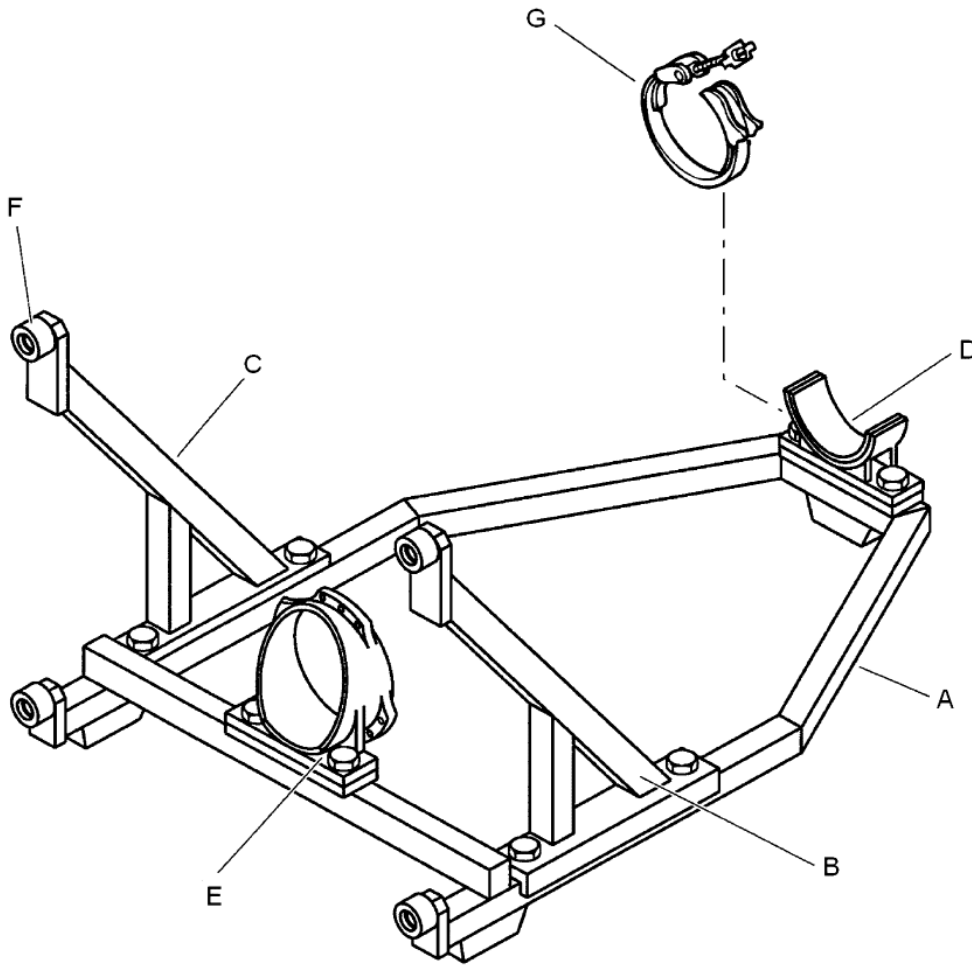
TOOL				P/N	DESCRIPTION	QTY
OT No.	Ind.	Ind.		1 2 3		
80 0030			8819114000	ENGINE SUPPORT MOUNT	1	

- ITEM NOT ILLUSTRATED

NP NON PROCURABLE

TM0038G003

Description: SUPPORT, MODULAR ASSEMBLY



SAFRAN HELICOPTER ENGINES

ARRIEL 2 C1

MAINTENANCE TOOLS CATALOG

<i>Description</i>	<i>Part Number</i>
SUPPORT, MODULAR ASSEMBLY	TM0038G003

<i>This tool replaces the tool</i>	8813181000 and TM0038G002
------------------------------------	---------------------------

<i>Supply code</i>	<i>Calibration frequency</i>	<i>Functional criteria check</i>
3 - 2	N/A	N/A

Use	Tool used to install and hold the engine during the removal, installation and replacement procedures of the modules. It can be used in the horizontal or vertical position. The tool is held in the vertical position by means of two struts.
------------	---

Use particularity	
--------------------------	--

<i>Alternate</i>	<i>Part Number</i>	<i>Description</i>

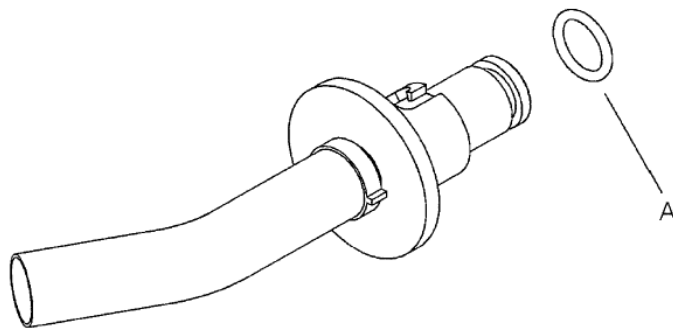
	TOOL			P/N	DESCRIPTION	QTY
	OT No.	Ind.	Ind.			
	80 0060			TM0038G003	SUPPORT, MODULAR ASSEMBLY	1
	80 0060	A		TM0038P001	. CHASSIS	1
	80 0060	B		TM0038P002	. RIGHT ARM	1
	80 0060	C		TM0038P016	. LEFT ARM	1
	80 0060	D		TM0038P004	. REAR SUPPORT	1
	80 0060	E		TM0038P005	. FRONT SUPPORT	1
	80 0060	F		TM0038P012	. SHOE	1
	80 0060	G		8815099755	. CLAMP	1

- ITEM NOT ILLUSTRATED

NP NON PROCURABLE

TM1257G001

Description: TUBE, DRAIN



TURBOMECA ARRIEL 2 C1

MAINTENANCE TOOLS CATALOG

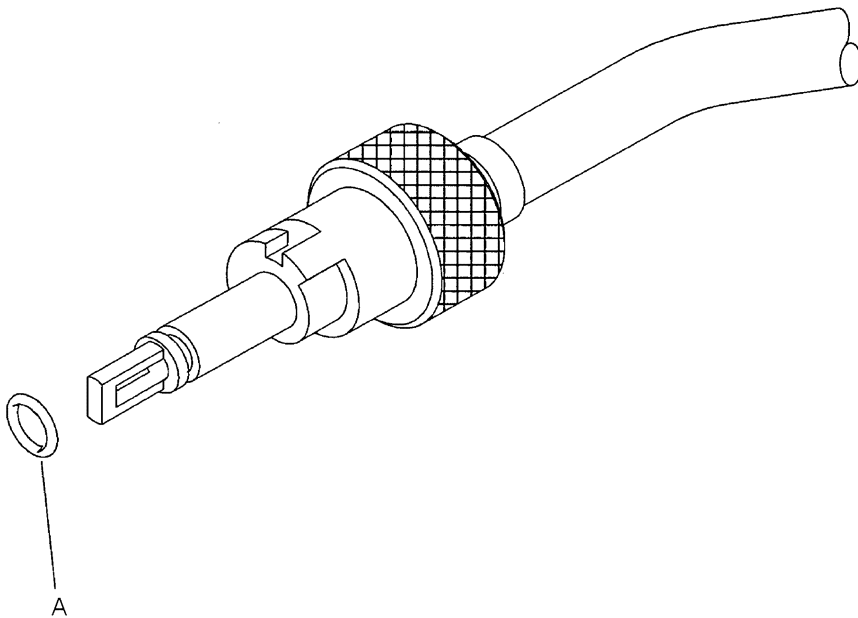
<i>Description</i>				<i>Part Number</i>			
TUBE, DRAIN				TM1257G001			
<i>This tool replaces the tool</i>							
<i>Supply code</i>		<i>Calibration frequency</i>		<i>Functional criteria check</i>			
3 - 2		N/A		N/A			
<i>Use</i>		Tool used to drain the oil system.					
<i>Use particularity</i>		FOR ENGINES MOD. TU 068A AND TU 069A.					
<i>Alternate</i>		<i>Part Number</i>			<i>Description</i>		
TOOL				P/N	DESCRIPTION		QTY
OT No.	Ind.	Ind.		1 2 3			
80 0070			TM1257G001	TUBE, DRAIN			1
80 0070	A		9681500881	. PACKING, PREFORMED			1

- ITEM NOT ILLUSTRATED

NP NON PROCURABLE

TM1780G001

Description: TUBE, DRAIN



SAFRAN HELICOPTER ENGINES

ARRIEL 2 C1

MAINTENANCE TOOLS CATALOG

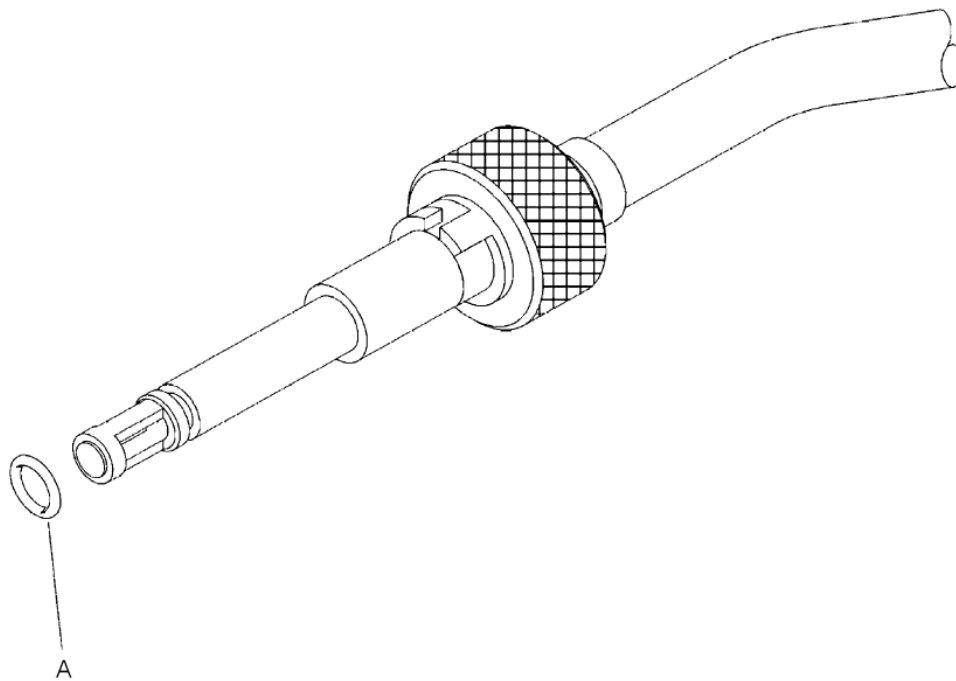
<i>Description</i>		<i>Part Number</i>			
TUBE, DRAIN		TM1780G001			
<i>This tool replaces the tool</i>					
<i>Supply code</i>	<i>Calibration frequency</i>	<i>Functional criteria check</i>			
3 - 2	N/A	N/A			
<i>Use</i>	Tool used to drain the oil system. It is connected instead of the electrical magnetic of the Module M01 plug during draining procedures.				
<i>Use particularity</i>	For engines MOD. TU 068A and TU 069A.				
<i>Alternate</i>	<i>Part Number</i>		<i>Description</i>		
TOOL					
OT No.	Ind.	Ind.	P/N	DESCRIPTION	QTY
80 0080			TM1780G001	TUBE, DRAIN	1
80 0080	A		9794410060	. PACKING, PREFORMED	1

- ITEM NOT ILLUSTRATED

NP NON PROCURABLE

TM1781G002

Description: TUBE, DRAIN



SAFRAN HELICOPTER ENGINES

ARRIEL 2 C1

MAINTENANCE TOOLS CATALOG

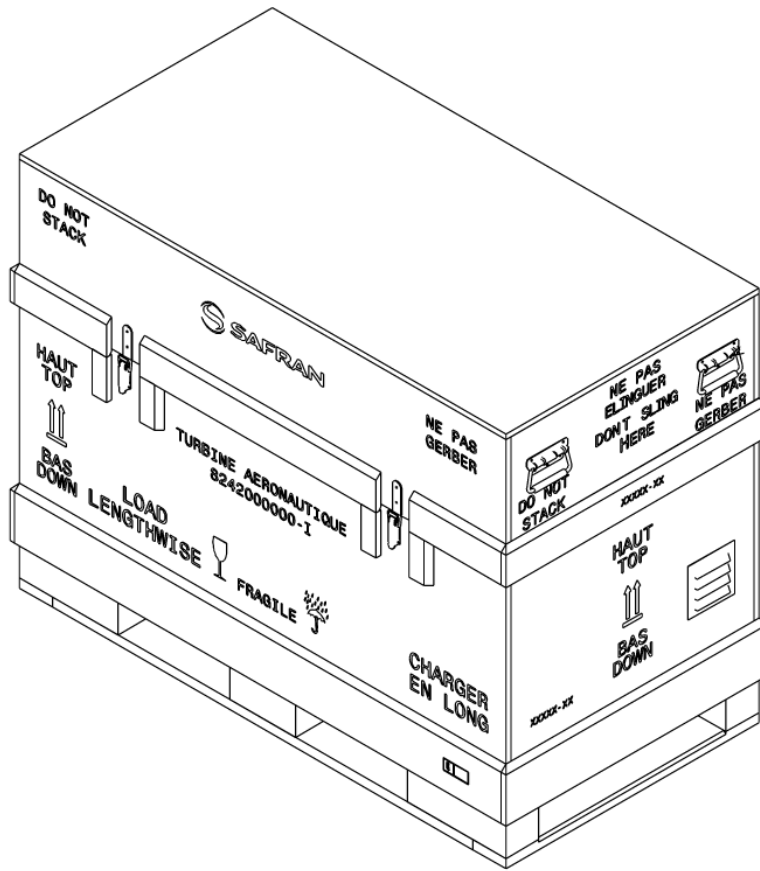
<i>Description</i>		<i>Part Number</i>				
TUBE, DRAIN		TM1781G002				
<i>This tool replaces the tool</i>		TM1781G001				
<i>Supply code</i>	<i>Calibration frequency</i>	<i>Functional criteria check</i>				
3 - 2	N/A	N/A				
<i>Use</i>	Tool used to drain the oil system. It is connected instead of the electrical magnetic of the Module M05 plug during draining procedures.					
<i>Use particularity</i>						
<i>Alternate</i>	<i>Part Number</i>		<i>Description</i>			
TOOL				P/N	DESCRIPTION	QTY
OT No.	Ind.	Ind.	1 2 3			
80 0090				TM1781G002	TUBE, DRAIN	1
80 0090	A			9794410069	. PACKING, PREFORMED	1

- ITEM NOT ILLUSTRATED

NP NON PROCURABLE

8242000000

Description: SHIPMENT CONTAINER



SAFRAN HELICOPTER ENGINES

ARRIEL 2 C1

MAINTENANCE TOOLS CATALOG

<i>Description</i>	<i>Part Number</i>
SHIPMENT CONTAINER	8242000000

<i>This tool replaces the tool</i>

<i>Supply code</i>	<i>Calibration frequency</i>	<i>Functional criteria check</i>
3 - 2	N/A	N/A

<i>Use</i>	
------------	--

<i>Use particularity</i>	
--------------------------	--

<i>Alternate</i>	<i>Part Number</i>	<i>Description</i>

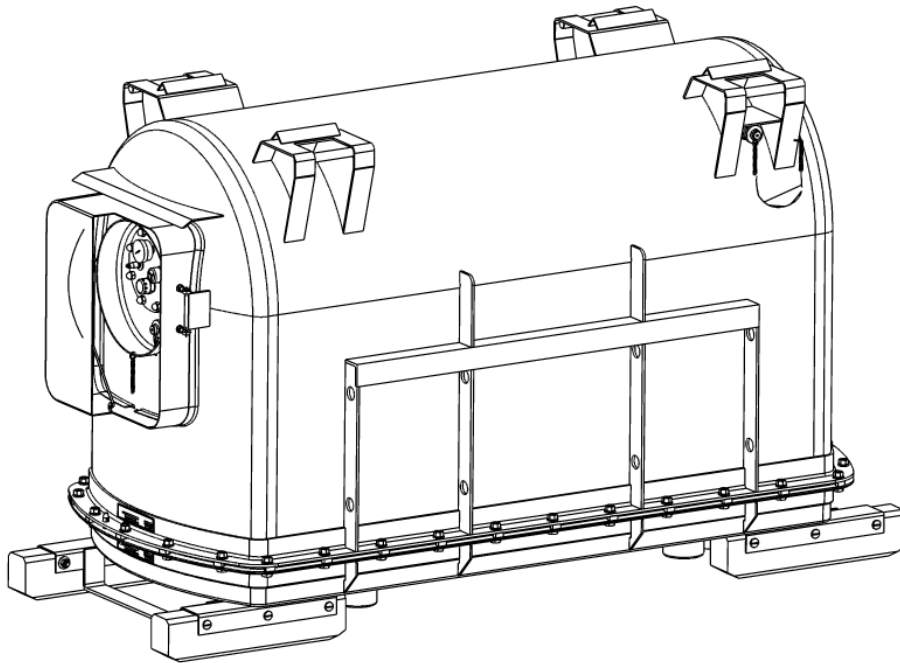
	TOOL			P/N	DESCRIPTION	QTY
	OT No.	Ind.	Ind.			
I	80 3010			8242000000	SHIPMENT CONTAINER	1

- ITEM NOT ILLUSTRATED

NP NON PROCURABLE

8819212000

Description: METALLIC CONTAINER



SAFRAN HELICOPTER ENGINES

ARRIEL 2 C1

MAINTENANCE TOOLS CATALOG

<i>Description</i>	<i>Part Number</i>
METALLIC CONTAINER	8819212000

<i>This tool replaces the tool</i>

<i>Supply code</i>	<i>Calibration frequency</i>	<i>Functional criteria check</i>
3 - 2	N/A	N/A

<i>Use</i>	
------------	--

<i>Use particularity</i>	
--------------------------	--

<i>Alternate</i>	<i>Part Number</i>	<i>Description</i>

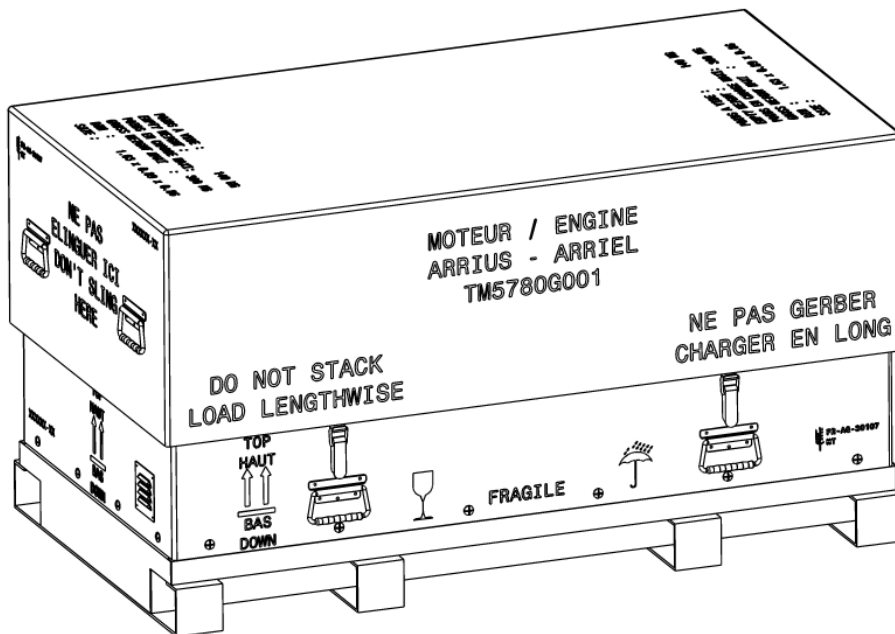
	TOOL			P/N	DESCRIPTION	QTY
	OT No.	Ind.	Ind.			
I	80 3020			8819212000	METALLIC CONTAINER	1

- ITEM NOT ILLUSTRATED

NP NON PROCURABLE

TM5780G001

Description: ENGINE CONTAINER



SAFRAN HELICOPTER ENGINES

ARRIEL 2 C1

MAINTENANCE TOOLS CATALOG

<i>Description</i>	<i>Part Number</i>
ENGINE CONTAINER	TM5780G001

<i>This tool replaces the tool</i>

<i>Supply code</i>	<i>Calibration frequency</i>	<i>Functional criteria check</i>
3 - 2	N/A	N/A

<i>Use</i>	
------------	--

<i>Use particularity</i>	
--------------------------	--

<i>Alternate</i>	<i>Part Number</i>	<i>Description</i>

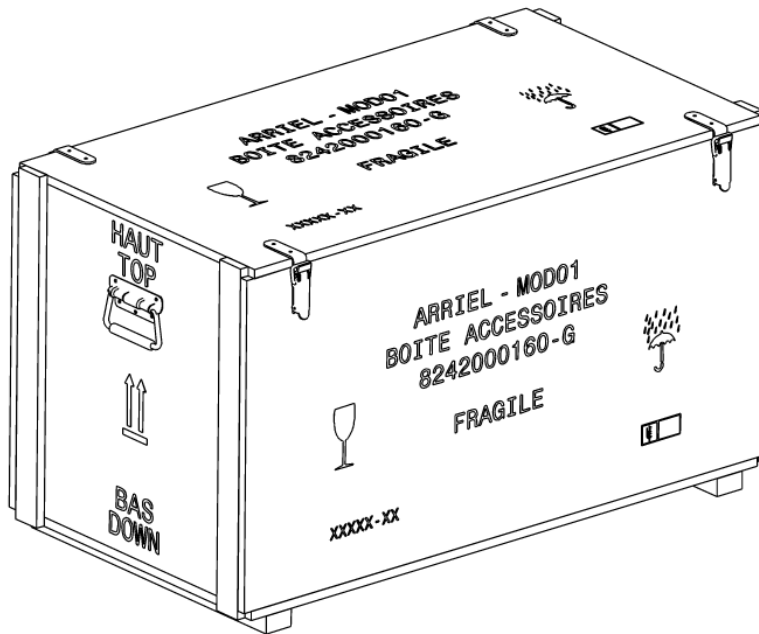
	TOOL			P/N	DESCRIPTION	QTY
	OT No.	Ind.	Ind.			
I	80 3030			TM5780G001	ENGINE CONTAINER	1

- ITEM NOT ILLUSTRATED

NP NON PROCURABLE

8242000160

Description: SHIPMENT CONTAINER



SAFRAN HELICOPTER ENGINES

ARRIEL 2 C1

MAINTENANCE TOOLS CATALOG

<i>Description</i>	<i>Part Number</i>
SHIPMENT CONTAINER	8242000160

<i>This tool replaces the tool</i>

<i>Supply code</i>	<i>Calibration frequency</i>	<i>Functional criteria check</i>
3 - 2	N/A	N/A

<i>Use</i>	
------------	--

<i>Use particularity</i>	
--------------------------	--

<i>Alternate</i>	<i>Part Number</i>	<i>Description</i>

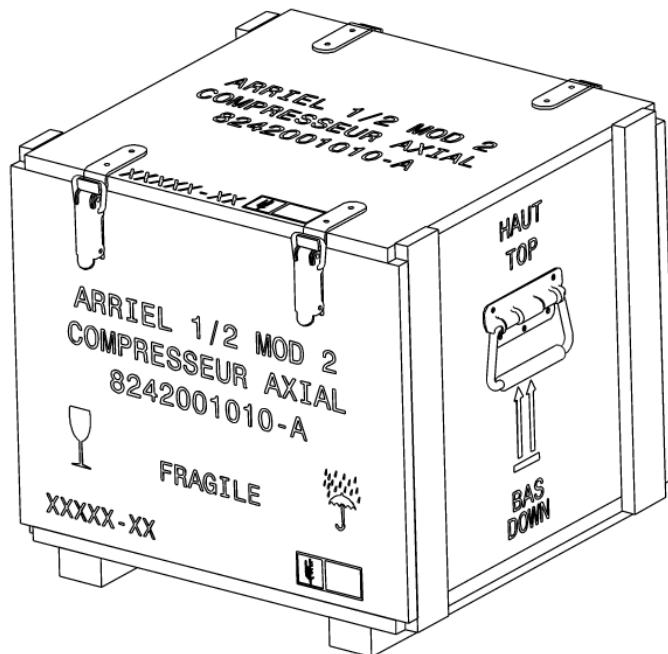
	TOOL			P/N	DESCRIPTION	QTY
	OT No.	Ind.	Ind.			
I	80 3040			8242000160	SHIPMENT CONTAINER	1

- ITEM NOT ILLUSTRATED

NP NON PROCURABLE

8242001010

Description: SHIPMENT CONTAINER



SAFRAN HELICOPTER ENGINES

ARRIEL 2 C1

MAINTENANCE TOOLS CATALOG

<i>Description</i>	<i>Part Number</i>
SHIPMENT CONTAINER	8242001010

<i>This tool replaces the tool</i>

<i>Supply code</i>	<i>Calibration frequency</i>	<i>Functional criteria check</i>
3 - 2	N/A	N/A

<i>Use</i>	
------------	--

<i>Use particularity</i>	
--------------------------	--

<i>Alternate</i>	<i>Part Number</i>	<i>Description</i>

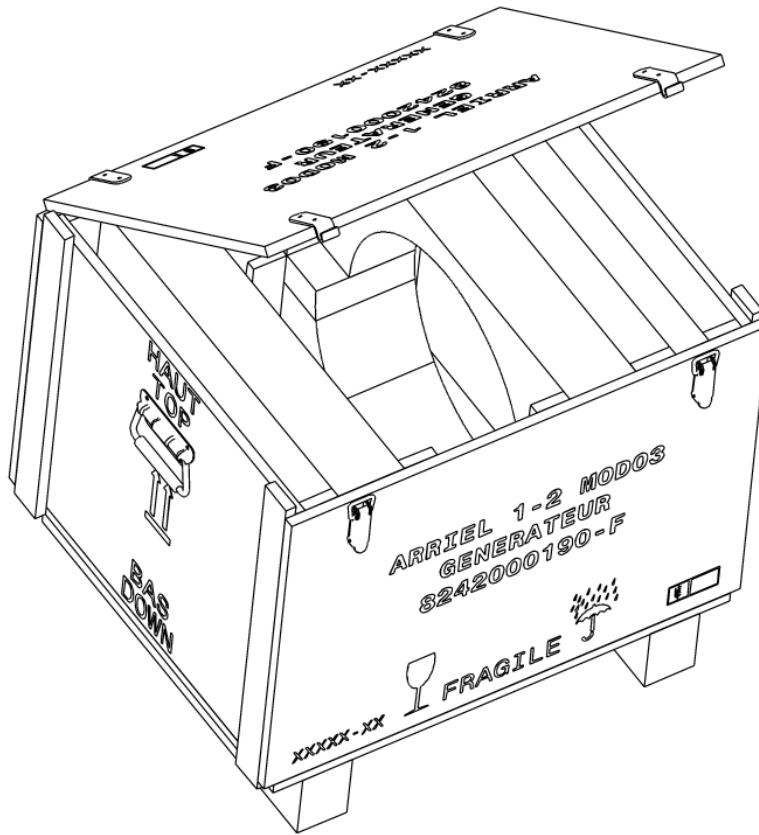
	TOOL			P/N	DESCRIPTION	QTY
	OT No.	Ind.	Ind.			
1	80 3050			8242001010	SHIPMENT CONTAINER	1

- ITEM NOT ILLUSTRATED

NP NON PROCURABLE

8242000190

Description: SHIPMENT CONTAINER



SAFRAN HELICOPTER ENGINES

ARRIEL 2 C1

MAINTENANCE TOOLS CATALOG

<i>Description</i>	<i>Part Number</i>
SHIPMENT CONTAINER	8242000190

<i>This tool replaces the tool</i>

<i>Supply code</i>	<i>Calibration frequency</i>	<i>Functional criteria check</i>
3 - 2	N/A	N/A

<i>Use</i>	
------------	--

<i>Use particularity</i>	
--------------------------	--

<i>Alternate</i>	<i>Part Number</i>	<i>Description</i>

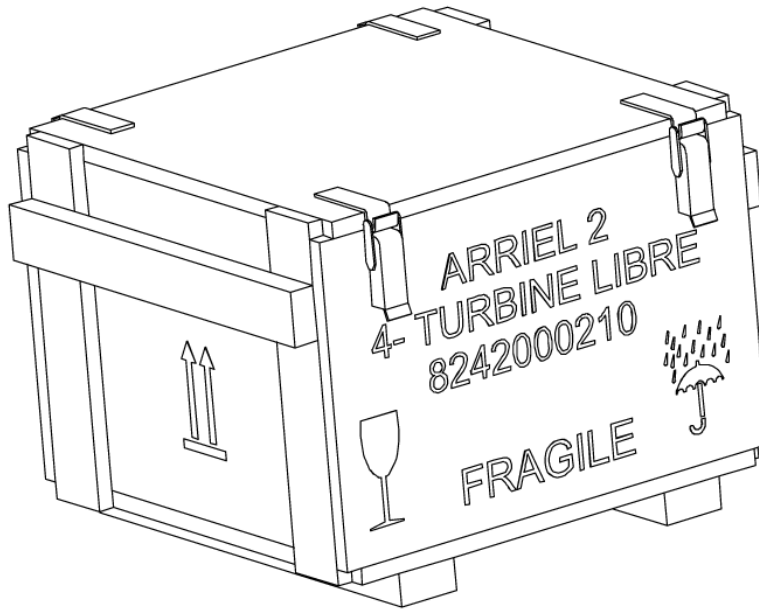
	TOOL			P/N	DESCRIPTION	QTY
	OT No.	Ind.	Ind.			
I	80 3060			8242000190	SHIPMENT CONTAINER	1

- ITEM NOT ILLUSTRATED

NP NON PROCURABLE

8242000210

Description: SHIPMENT CONTAINER



SAFRAN HELICOPTER ENGINES

ARRIEL 2 C1

MAINTENANCE TOOLS CATALOG

<i>Description</i>	<i>Part Number</i>
SHIPMENT CONTAINER	8242000210

<i>This tool replaces the tool</i>

<i>Supply code</i>	<i>Calibration frequency</i>	<i>Functional criteria check</i>
3 - 2	N/A	N/A

<i>Use</i>	
------------	--

<i>Use particularity</i>	
--------------------------	--

<i>Alternate</i>	<i>Part Number</i>	<i>Description</i>

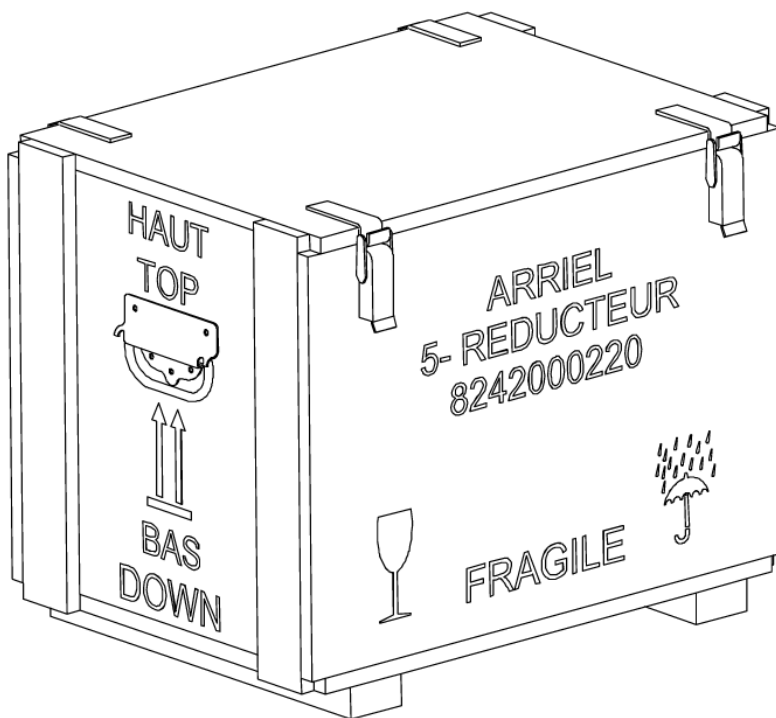
	TOOL			P/N	DESCRIPTION	QTY
	OT No.	Ind.	Ind.			
I	80 3070			8242000210	SHIPMENT CONTAINER	1

- ITEM NOT ILLUSTRATED

NP NON PROCURABLE

8242000220

Description: SHIPMENT CONTAINER



SAFRAN HELICOPTER ENGINES

ARRIEL 2 C1

MAINTENANCE TOOLS CATALOG

<i>Description</i>	<i>Part Number</i>
SHIPMENT CONTAINER	8242000220

<i>This tool replaces the tool</i>

<i>Supply code</i>	<i>Calibration frequency</i>	<i>Functional criteria check</i>
3 - 2	N/A	N/A

<i>Use</i>	
------------	--

<i>Use particularity</i>	
--------------------------	--

<i>Alternate</i>	<i>Part Number</i>	<i>Description</i>

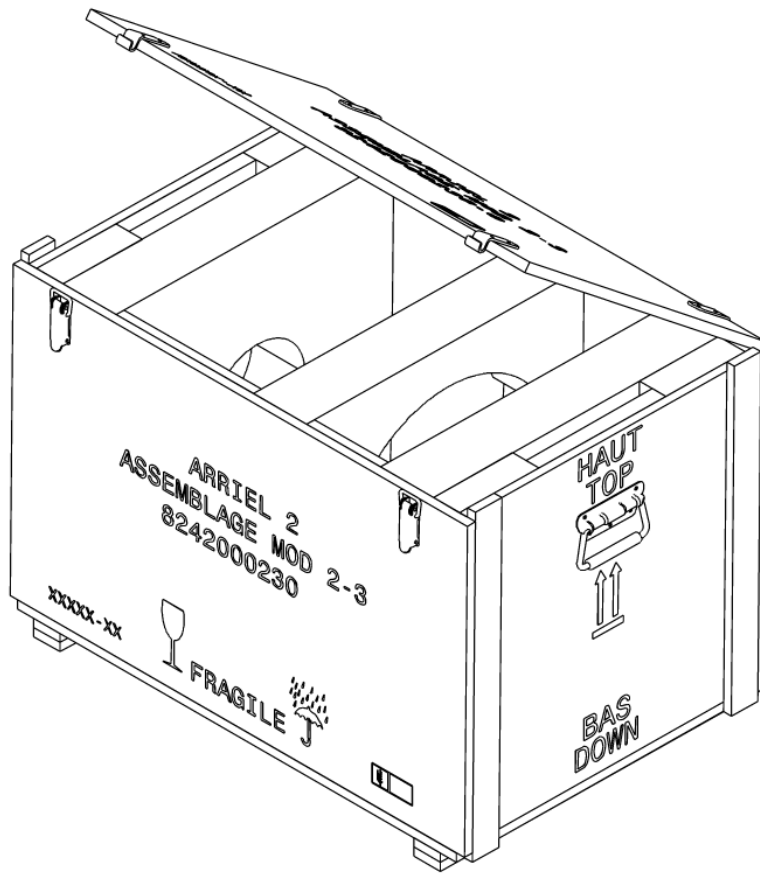
TOOL				P/N	DESCRIPTION	QTY
OT No.	Ind.	Ind.		1 2 3		
80 3080			8242000220	SHIPMENT CONTAINER		1

- ITEM NOT ILLUSTRATED

NP NON PROCURABLE

8242000230

Description: SHIPMENT CONTAINER



SAFRAN HELICOPTER ENGINES

ARRIEL 2 C1

MAINTENANCE TOOLS CATALOG

<i>Description</i>	<i>Part Number</i>
SHIPMENT CONTAINER	8242000230

<i>This tool replaces the tool</i>

<i>Supply code</i>	<i>Calibration frequency</i>	<i>Functional criteria check</i>
3 - 2	N/A	N/A

<i>Use</i>	
------------	--

<i>Use particularity</i>	
--------------------------	--

<i>Alternate</i>	<i>Part Number</i>	<i>Description</i>

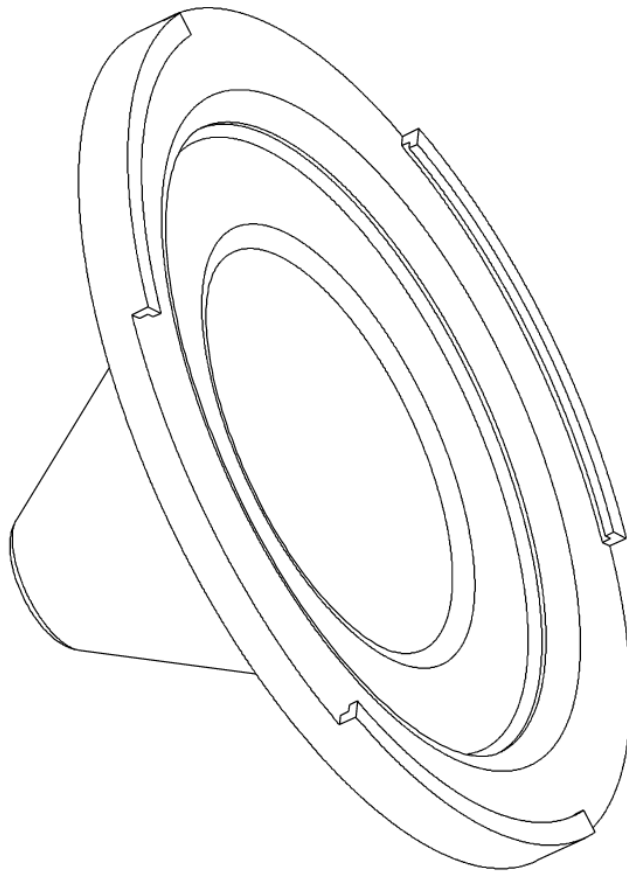
	TOOL			P/N	DESCRIPTION	QTY
	OT No.	Ind.	Ind.			
I	80 3090			8242000230	SHIPMENT CONTAINER	1

- ITEM NOT ILLUSTRATED

NP NON PROCURABLE

TM4684G001

Description: BLANK



SAFRAN HELICOPTER ENGINES

ARRIEL 2 C1

MAINTENANCE TOOLS CATALOG

<i>Description</i>	<i>Part Number</i>
BLANK	TM4684G001

<i>This tool replaces the tool</i>

<i>Supply code</i>	<i>Calibration frequency</i>	<i>Functional criteria check</i>
3 - 2	N/A	N/A

<i>Use</i>	
------------	--

<i>Use particularity</i>	
--------------------------	--

<i>Alternate</i>	<i>Part Number</i>	<i>Description</i>

	TOOL			P/N	DESCRIPTION	QTY
	OT No.	Ind.	Ind.			
I	80 3100			TM4684G001	BLANK	1

- ITEM NOT ILLUSTRATED

NP NON PROCURABLE

8816413000	<i>Description: BLANK</i>
-------------------	---------------------------

NON ILLUSTRATED TOOL

SAFRAN HELICOPTER ENGINES

ARRIEL 2 C1

MAINTENANCE TOOLS CATALOG

<i>Description</i>	<i>Part Number</i>
BLANK	8816413000

<i>This tool replaces the tool</i>

<i>Supply code</i>	<i>Calibration frequency</i>	<i>Functional criteria check</i>
3 - 2	N/A	N/A

<i>Use</i>	
------------	--

<i>Use particularity</i>	
--------------------------	--

<i>Alternate</i>	<i>Part Number</i>	<i>Description</i>

	TOOL			P/N	DESCRIPTION	QTY
	OT No.	Ind.	Ind.			
-	80 3110			8816413000	BLANK	1

- ITEM NOT ILLUSTRATED

NP NON PROCURABLE

9560163420	<i>Description: BLANK</i>
-------------------	---------------------------

NON ILLUSTRATED TOOL

SAFRAN HELICOPTER ENGINES

ARRIEL 2 C1

MAINTENANCE TOOLS CATALOG

<i>Description</i>	<i>Part Number</i>
BLANK	9560163420

<i>This tool replaces the tool</i>

<i>Supply code</i>	<i>Calibration frequency</i>	<i>Functional criteria check</i>
3 - 2	N/A	N/A

<i>Use</i>	
------------	--

<i>Use particularity</i>	
--------------------------	--

<i>Alternate</i>	<i>Part Number</i>	<i>Description</i>

	TOOL			P/N	DESCRIPTION	QTY
	OT No.	Ind.	Ind.			
-	80 3130			9560163420	1 2 3 BLANK	1

- ITEM NOT ILLUSTRATED

NP NON PROCURABLE

9560111150

Description: U20 PLUG

NON ILLUSTRATED TOOL

ARRIEL 2 C1

<i>Description</i>	<i>Part Number</i>
U20 PLUG	9560111150

<i>This tool replaces the tool</i>

<i>Supply code</i>	<i>Calibration frequency</i>	<i>Functional criteria check</i>
3 - 2	N/A	N/A

<i>Use</i>	
------------	--

<i>Use particularity</i>	
--------------------------	--

<i>Alternate</i>	<i>Part Number</i>	<i>Description</i>

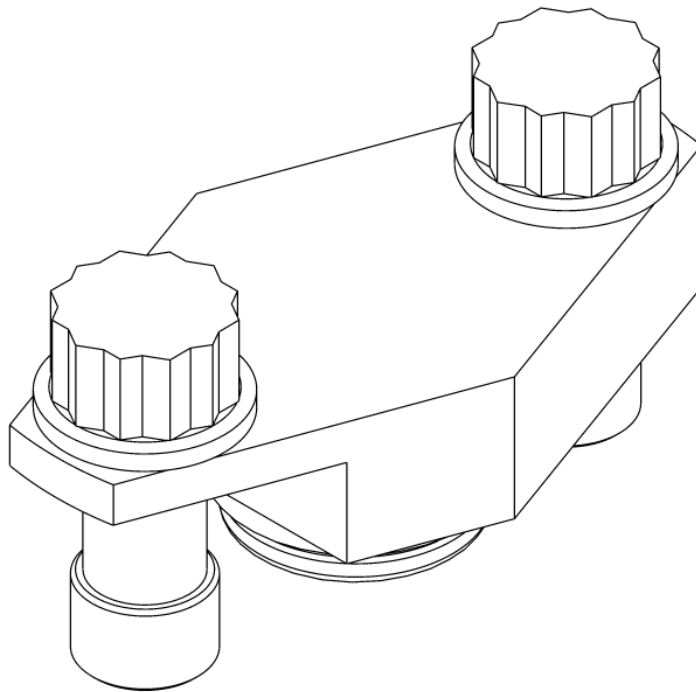
	TOOL			P/N	DESCRIPTION	QTY
	OT No.	Ind.	Ind.			
I -	80 3140			9560111150	U20 PLUG	1

- ITEM NOT ILLUSTRATED

NP NON PROCURABLE

TM0853G001

Description: BLANK



SAFRAN HELICOPTER ENGINES

ARRIEL 2 C1

MAINTENANCE TOOLS CATALOG

<i>Description</i>	<i>Part Number</i>
BLANK	TM0853G001

<i>This tool replaces the tool</i>

<i>Supply code</i>	<i>Calibration frequency</i>	<i>Functional criteria check</i>
3 - 2	N/A	N/A

<i>Use</i>	
------------	--

<i>Use particularity</i>	
--------------------------	--

<i>Alternate</i>	<i>Part Number</i>	<i>Description</i>

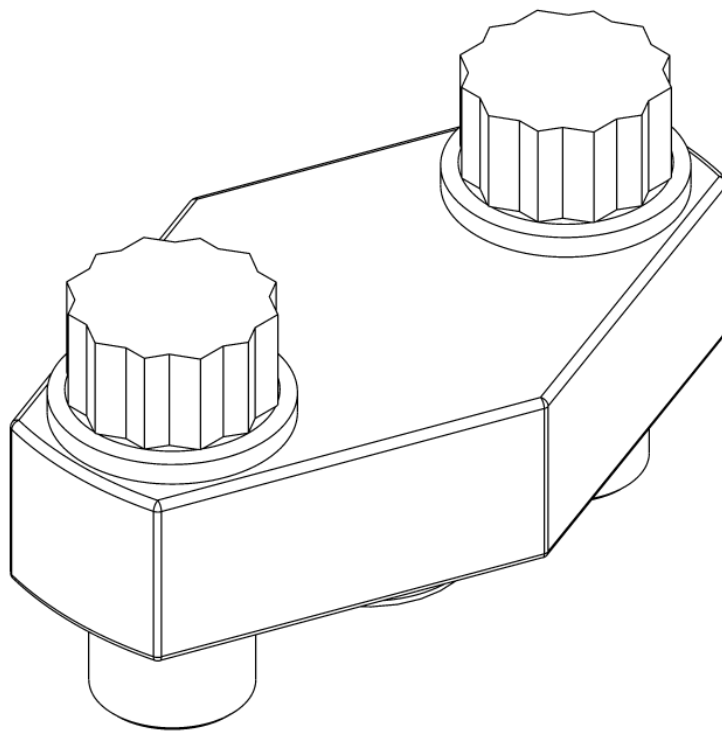
	TOOL			P/N	DESCRIPTION	QTY
	OT No.	Ind.	Ind.			
I	80 3160			TM0853G001	1 2 3 BLANK	1

- ITEM NOT ILLUSTRATED

NP NON PROCURABLE

TM2015G002

Description: BLANK



SAFRAN HELICOPTER ENGINES

ARRIEL 2 C1

MAINTENANCE TOOLS CATALOG

<i>Description</i>	<i>Part Number</i>
BLANK	TM2015G002

<i>This tool replaces the tool</i>

<i>Supply code</i>	<i>Calibration frequency</i>	<i>Functional criteria check</i>
3 - 2	N/A	N/A

<i>Use</i>	
------------	--

<i>Use particularity</i>	
--------------------------	--

<i>Alternate</i>	<i>Part Number</i>	<i>Description</i>

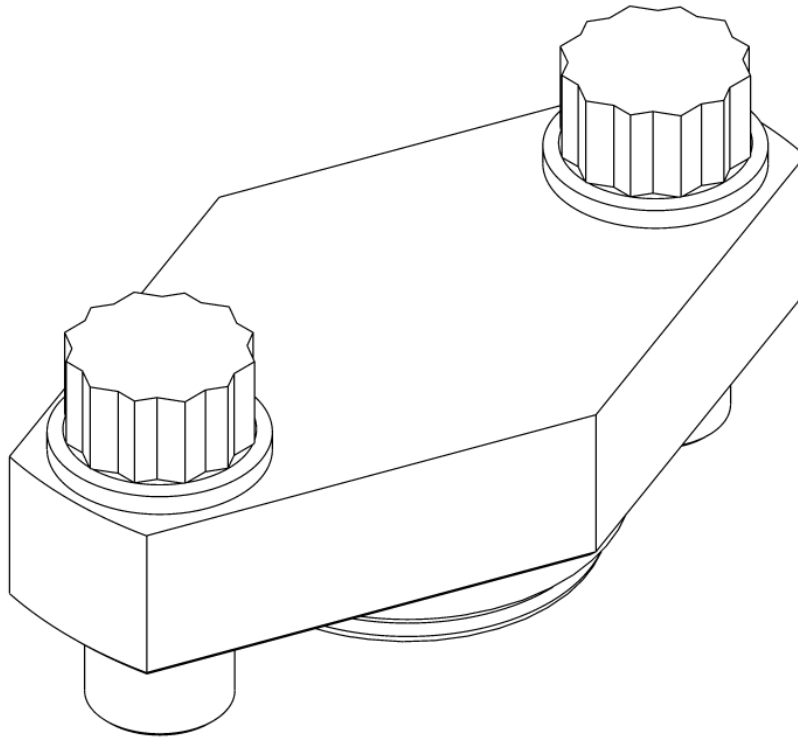
	TOOL			P/N	DESCRIPTION	QTY
	OT No.	Ind.	Ind.			
I	80 3170			TM2015G002	BLANK	1

- ITEM NOT ILLUSTRATED

NP NON PROCURABLE

TM0852G001

Description: BLANK



SAFRAN HELICOPTER ENGINES

ARRIEL 2 C1

MAINTENANCE TOOLS CATALOG

<i>Description</i>		<i>Part Number</i>
BLANK		TM0852G001
<i>This tool replaces the tool</i>		
<i>Supply code</i>	<i>Calibration frequency</i>	<i>Functional criteria check</i>
3 - 2	N/A	N/A
<i>Use</i>		
<i>Use particularity</i>		
<i>Alternate</i>	<i>Part Number</i>	<i>Description</i>

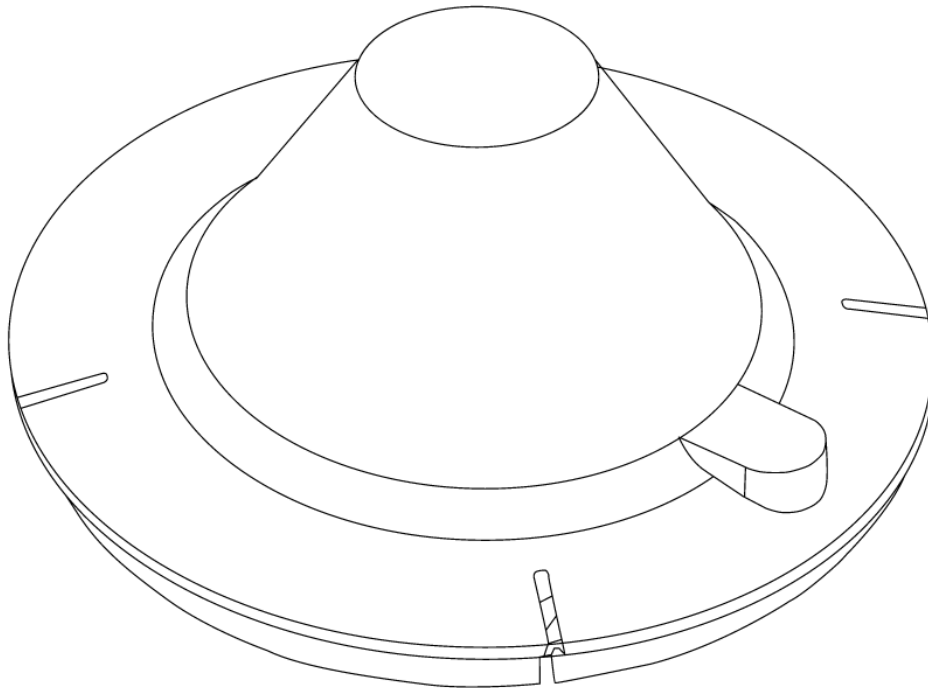
	TOOL			P/N	DESCRIPTION	QTY
	OT No.	Ind.	Ind.			
I	80 3180			TM0852G001	BLANK	1

- ITEM NOT ILLUSTRATED

NP NON PROCURABLE

TM2454G001

Description: BLANK



SAFRAN HELICOPTER ENGINES

ARRIEL 2 C1

MAINTENANCE TOOLS CATALOG

<i>Description</i>		<i>Part Number</i>
BLANK		TM2454G001
<i>This tool replaces the tool</i>		
<i>Supply code</i>	<i>Calibration frequency</i>	<i>Functional criteria check</i>
3 - 2	N/A	N/A
<i>Use</i>		
<i>Use particularity</i>		
<i>Alternate</i>	<i>Part Number</i>	<i>Description</i>

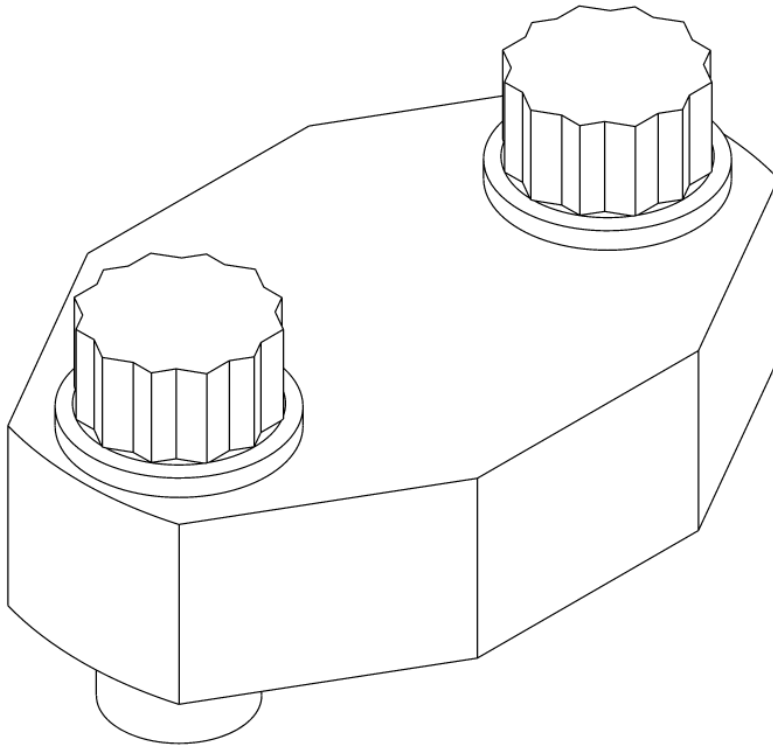
	TOOL			P/N	DESCRIPTION	QTY
	OT No.	Ind.	Ind.			
I	80 3190			TM2454G001	1 2 3 BLANK	1

- ITEM NOT ILLUSTRATED

NP NON PROCURABLE

TA5123G001

Description: BLANK



SAFRAN HELICOPTER ENGINES

ARRIEL 2 C1

MAINTENANCE TOOLS CATALOG

<i>Description</i>	<i>Part Number</i>
BLANK	TA5123G001

<i>This tool replaces the tool</i>

<i>Supply code</i>	<i>Calibration frequency</i>	<i>Functional criteria check</i>
3 - 2	N/A	N/A

<i>Use</i>	
------------	--

<i>Use particularity</i>	
--------------------------	--

<i>Alternate</i>	<i>Part Number</i>	<i>Description</i>

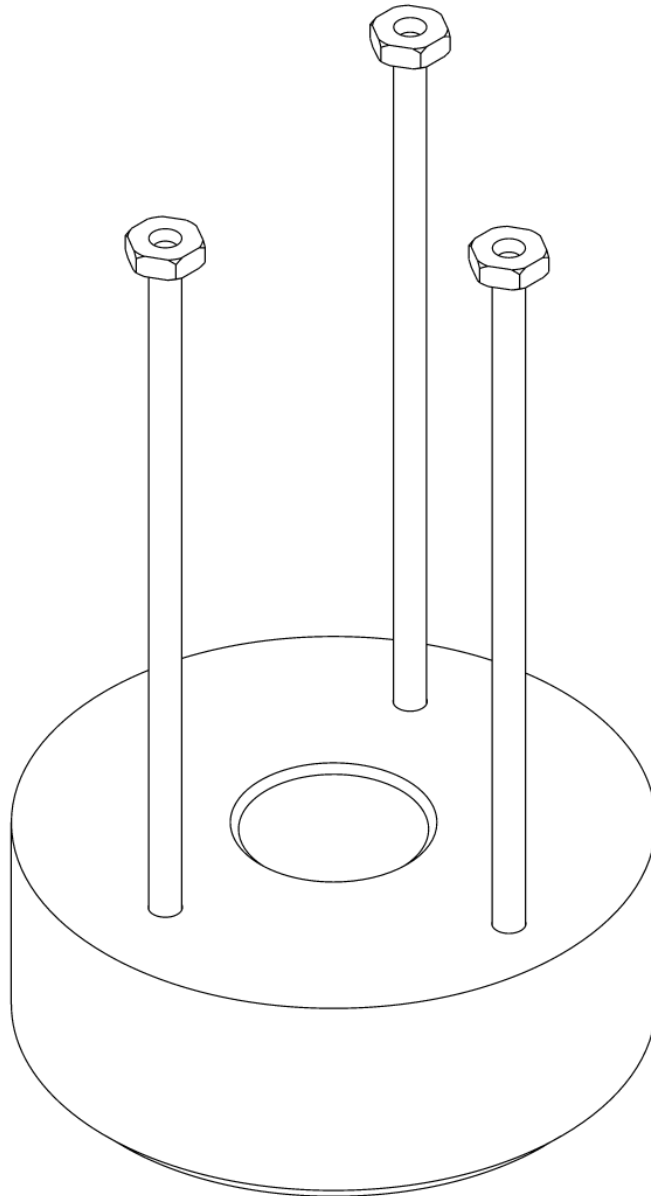
	TOOL			P/N	DESCRIPTION	QTY
	OT No.	Ind.	Ind.			
1	80 3200			TA5123G001	BLANK	1

- ITEM NOT ILLUSTRATED

NP NON PROCURABLE

8819792000

Description: BLANK



SAFRAN HELICOPTER ENGINES

ARRIEL 2 C1

MAINTENANCE TOOLS CATALOG

<i>Description</i>	<i>Part Number</i>
BLANK	8819792000

<i>This tool replaces the tool</i>

<i>Supply code</i>	<i>Calibration frequency</i>	<i>Functional criteria check</i>
3 - 2	N/A	N/A

<i>Use</i>	
------------	--

<i>Use particularity</i>	
--------------------------	--

<i>Alternate</i>	<i>Part Number</i>	<i>Description</i>

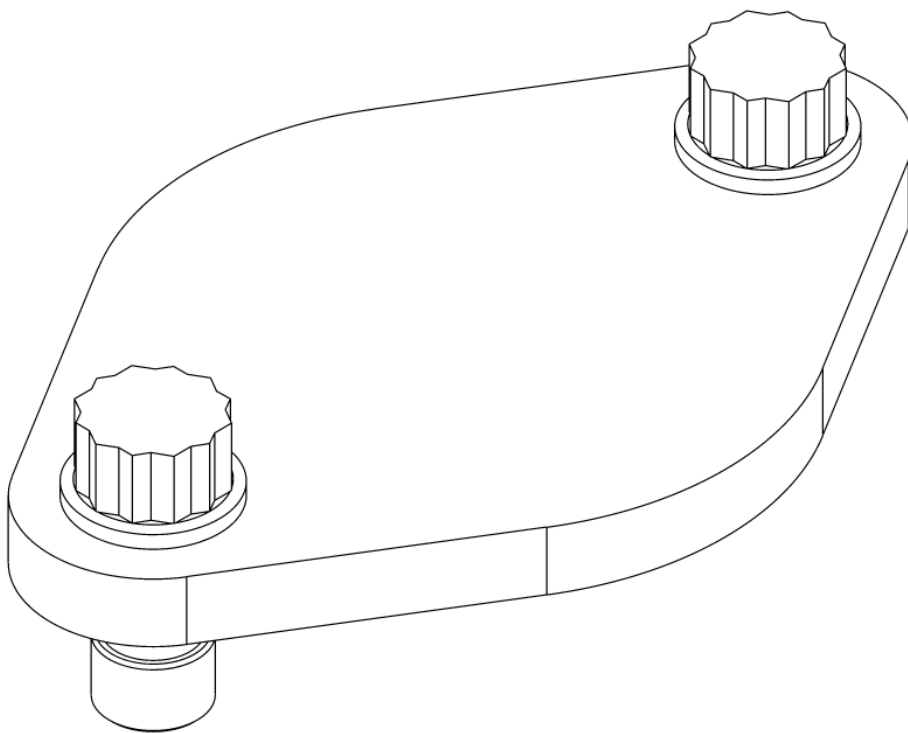
	TOOL			P/N	DESCRIPTION	QTY
	OT No.	Ind.	Ind.			
I	80 3210			8819792000	1 2 3 BLANK	1

- ITEM NOT ILLUSTRATED

NP NON PROCURABLE

8818649000

Description: BLANK



SAFRAN HELICOPTER ENGINES

ARRIEL 2 C1

MAINTENANCE TOOLS CATALOG

<i>Description</i>	<i>Part Number</i>
BLANK	8818649000

<i>This tool replaces the tool</i>

<i>Supply code</i>	<i>Calibration frequency</i>	<i>Functional criteria check</i>
3 - 2	N/A	N/A

<i>Use</i>	
------------	--

<i>Use particularity</i>	
--------------------------	--

<i>Alternate</i>	<i>Part Number</i>	<i>Description</i>

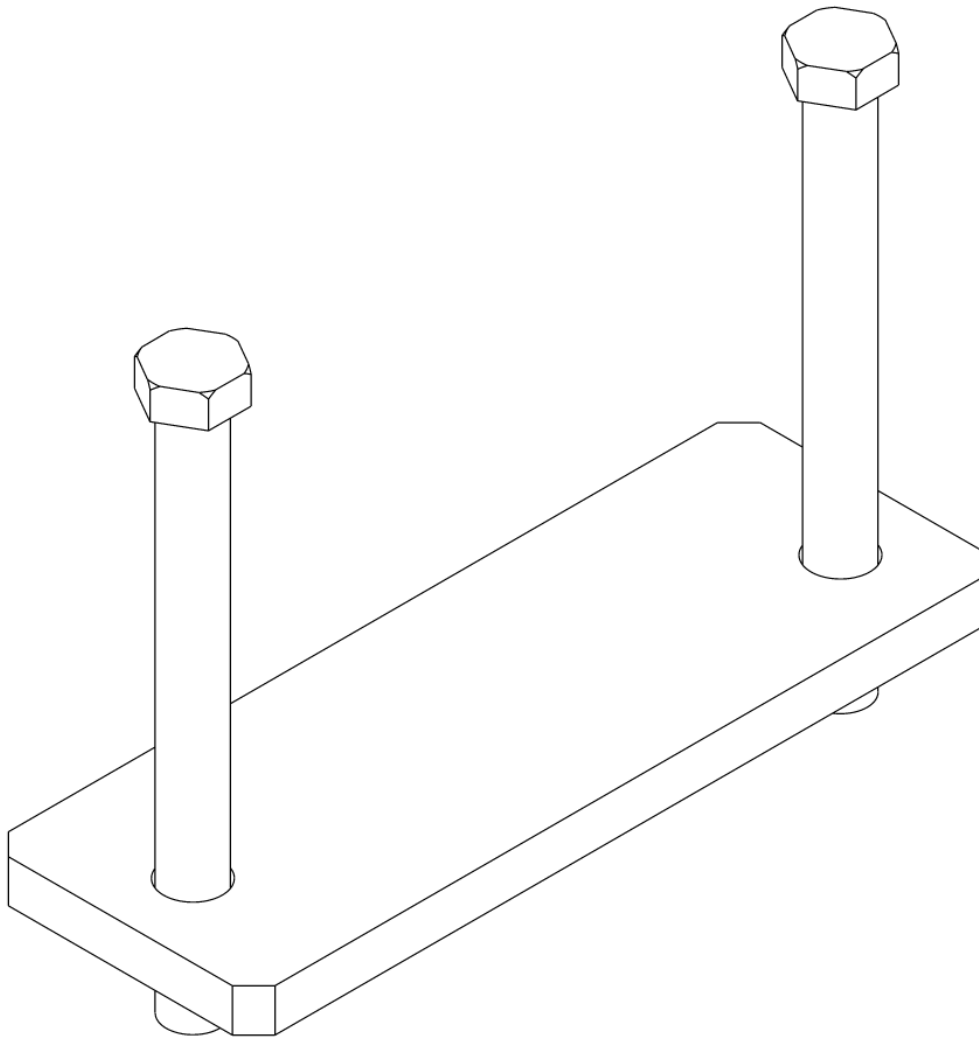
	TOOL			P/N	DESCRIPTION	QTY
	OT No.	Ind.	Ind.			
I	80 3220			8818649000	1 2 3 BLANK	1

- ITEM NOT ILLUSTRATED

NP NON PROCURABLE

8816547000

Description: BLANK



SAFRAN HELICOPTER ENGINES

ARRIEL 2 C1

MAINTENANCE TOOLS CATALOG

<i>Description</i>	<i>Part Number</i>
BLANK	8816547000

<i>This tool replaces the tool</i>

<i>Supply code</i>	<i>Calibration frequency</i>	<i>Functional criteria check</i>
3 - 2	N/A	N/A

<i>Use</i>	
------------	--

<i>Use particularity</i>	
--------------------------	--

<i>Alternate</i>	<i>Part Number</i>	<i>Description</i>

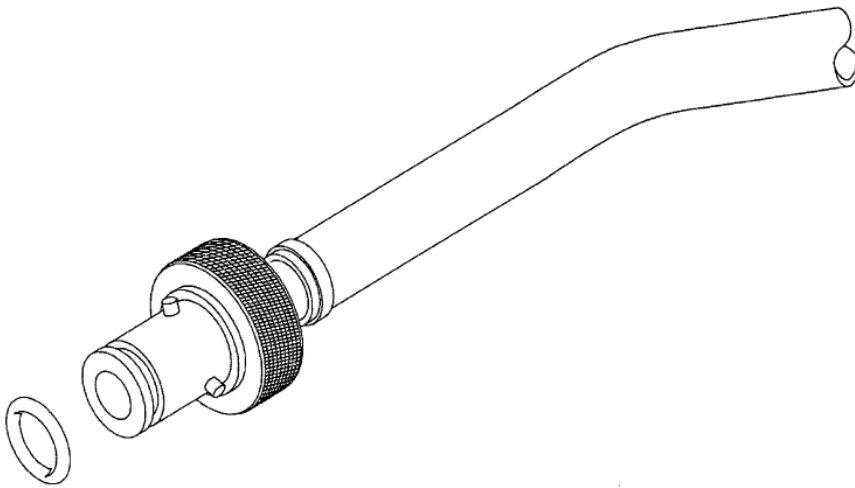
	TOOL			P/N	DESCRIPTION	QTY
	OT No.	Ind.	Ind.			
I	80 3230			8816547000	1 2 3 BLANK	1

- ITEM NOT ILLUSTRATED

NP NON PROCURABLE

8812187000

Description: TUBE, DRAIN



SAFRAN HELICOPTER ENGINES

ARRIEL 2 C1

MAINTENANCE TOOLS CATALOG

<i>Description</i>	<i>Part Number</i>
TUBE, DRAIN	8812187000

<i>This tool replaces the tool</i>

<i>Supply code</i>	<i>Calibration frequency</i>	<i>Functional criteria check</i>
3 - 2	N/A	N/A

Use	Tool used to drain the oil system. It is connected instead of the magnetic plug during draining procedures.
------------	---

Use particularity	For engines Non MOD. TU 068A and TU 069A.
--------------------------	---

<i>Alternate</i>	<i>Part Number</i>	<i>Description</i>

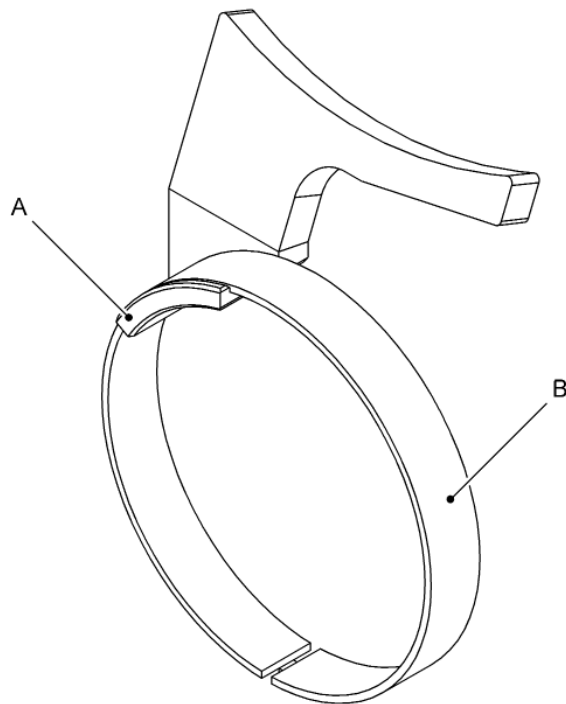
	TOOL			P/N	DESCRIPTION	QTY
	OT No.	Ind.	Ind.			
I -	80 7040			8812187000	TUBE, DRAIN	1
	80 7040	A		9681801082	. PACKING, PREFORMED	1

- ITEM NOT ILLUSTRATED

NP NON PROCURABLE

8812240000

Description: WEDGE, TURBINE CASING



TURBOMECA ARRIEL 2 C1

MAINTENANCE TOOLS CATALOG

<i>Description</i>	<i>Part Number</i>
WEDGE, TURBINE CASING	8812240000

<i>This tool replaces the tool</i>

<i>Supply code</i>	<i>Calibration frequency</i>	<i>Functional criteria check</i>
3 - 2	N/A	N/A

<i>Use</i>	Tool used to remove and install the module 01 - Accessory gearbox + transmission shaft. It holds the gas generator - power turbine assembly after module removal.
------------	---

<i>Use particularity</i>	
--------------------------	--

<i>Alternate</i>	<i>Part Number</i>	<i>Description</i>

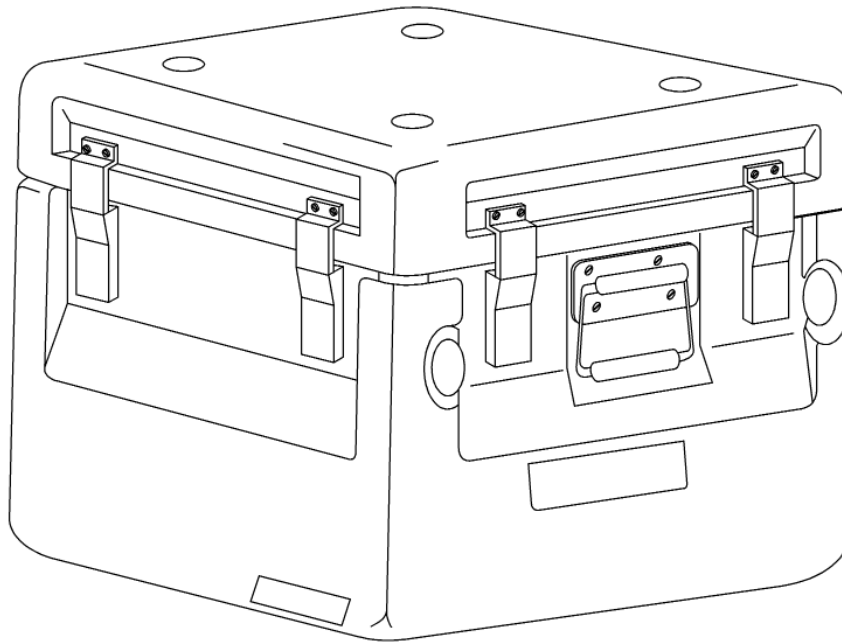
TOOL				P/N	DESCRIPTION	QTY
OT No.	Ind.	Ind.		1 2 3		
80 7050			8812240000	WEDGE, TURBINE CASING	1	
80 7050	A		8812240001	. SHIM	1	
80 7050	B		8812240002	. Ø 120x18 TIGHTENING CLAMP	1	

- ITEM NOT ILLUSTRATED

NP NON PROCURABLE

8813054000

Description: MODULE 05 C2R PACKAGING



SAFRAN HELICOPTER ENGINES

ARRIEL 2 C1

MAINTENANCE TOOLS CATALOG

<i>Description</i>	<i>Part Number</i>
MODULE 05 C2R PACKAGING	8813054000

<i>This tool replaces the tool</i>

<i>Supply code</i>	<i>Calibration frequency</i>	<i>Functional criteria check</i>
3 - 2	N/A	N/A

<i>Use</i>	C2R category container for transport and storage of module 05.
------------	--

<i>Use particularity</i>	
--------------------------	--

<i>Alternate</i>	<i>Part Number</i>	<i>Description</i>

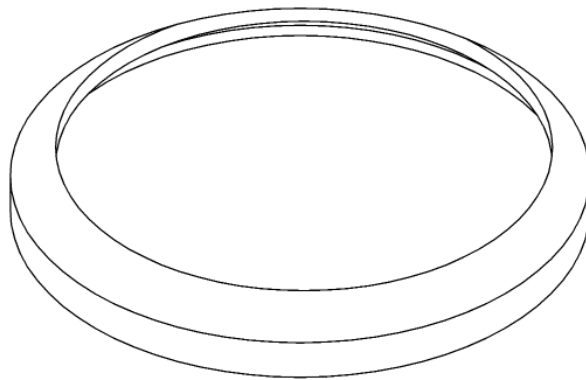
	TOOL			P/N	DESCRIPTION	QTY
	OT No.	Ind.	Ind.			
-	80 7060			8813054000	MODULE 05 C2R PACKAGING	1
	80 7060	A		8813054200	. BLANKS, KIT	1

- ITEM NOT ILLUSTRATED

NP NON PROCURABLE

8813752000

Description: BLANK, BLEED VALVE



SAFRAN HELICOPTER ENGINES

ARRIEL 2 C1

MAINTENANCE TOOLS CATALOG

<i>Description</i>	<i>Part Number</i>
BLANK, BLEED VALVE	8813752000

<i>This tool replaces the tool</i>

<i>Supply code</i>	<i>Calibration frequency</i>	<i>Functional criteria check</i>
3 - 2	N/A	N/A

<i>Use</i>	
------------	--

<i>Use particularity</i>	
--------------------------	--

<i>Alternate</i>	<i>Part Number</i>	<i>Description</i>

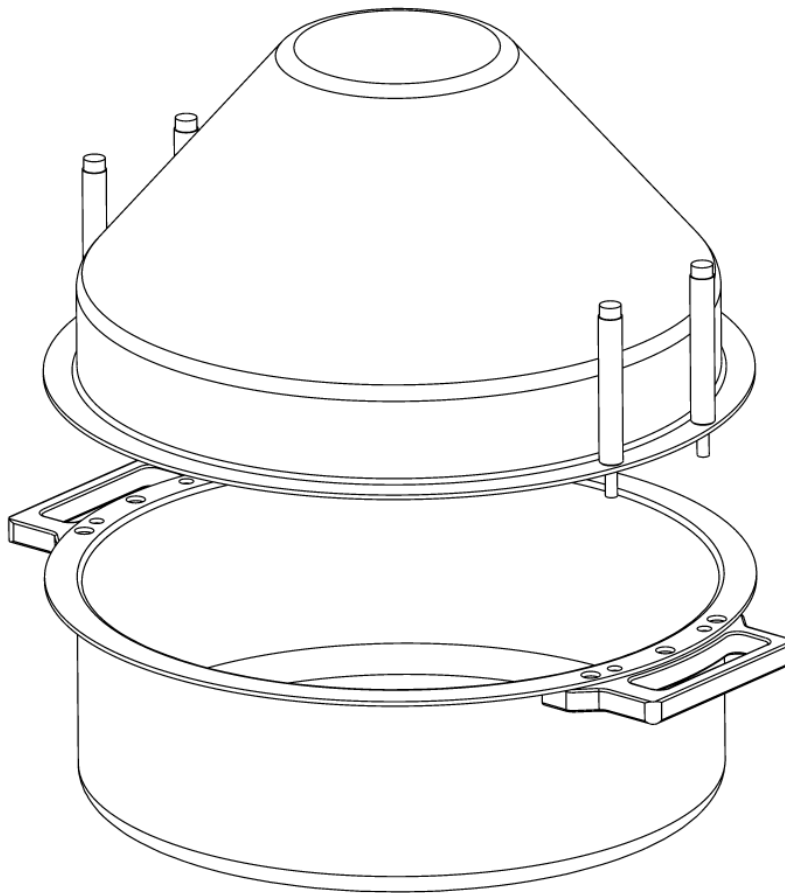
TOOL				P/N	DESCRIPTION	QTY
OT No.	Ind.	Ind.		1 2 3		
80 7070			8813752000	BLANK, BLEED VALVE		1

- ITEM NOT ILLUSTRATED

NP NON PROCURABLE

TM8013G001

Description: PROTECTOR



SAFRAN HELICOPTER ENGINES

ARRIEL 2 C1

MAINTENANCE TOOLS CATALOG

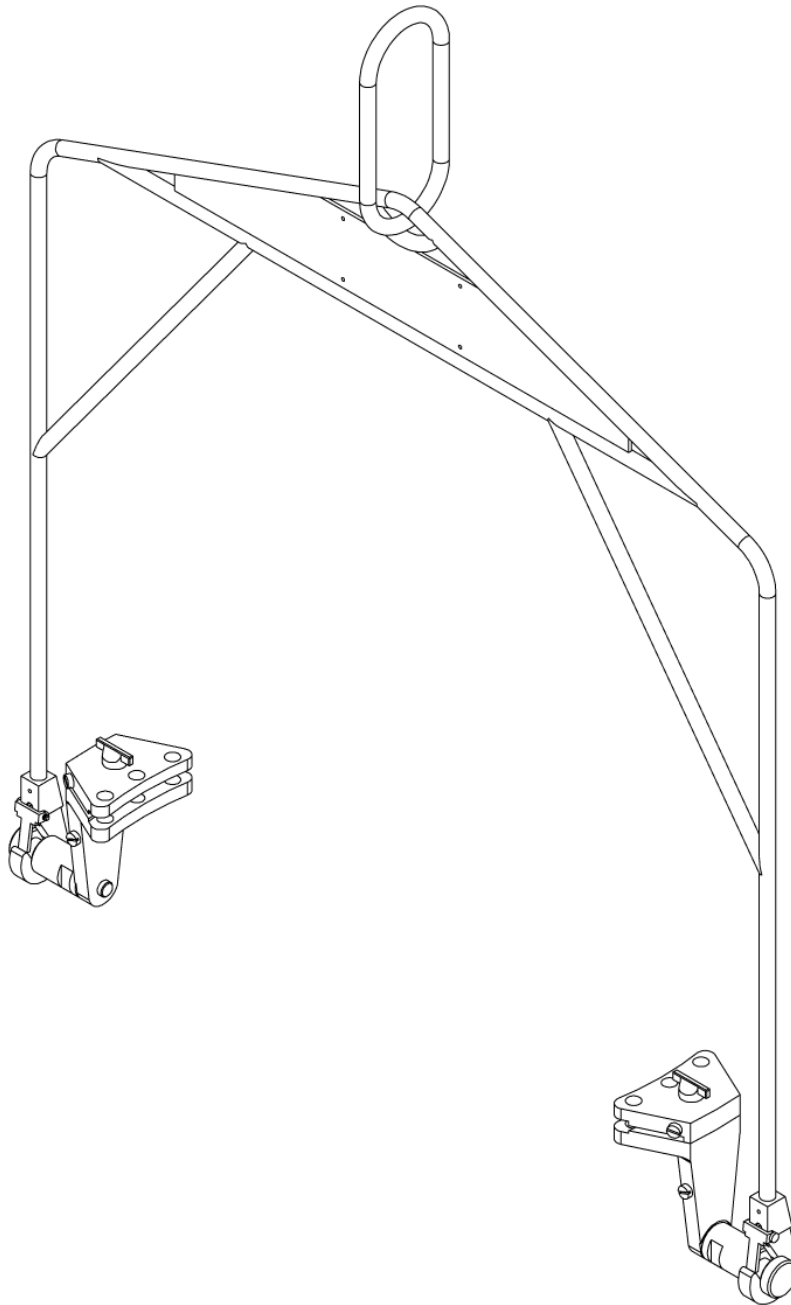
Description		Part Number		
PROTECTOR		TM8013G001		
<i>This tool replaces the tool</i>				
Supply code	Calibration frequency	Functional criteria check		
3 - 2	N/A	N/A		
Use	Used for power turbine module blanking			
Use particularity				
Alternate	Part Number		Description	
	8819659000 (B;B1;B1A;C;CPM;C1;C2;C2C G;S1;S2) TM4991G001 (D;E;N;H;L2)		CONDITIONING ASSEMBLY	
TOOL		P/N	DESCRIPTION	QTY
OT No.	Ind.	Ind.	1 2 3	
- 80 7170			TM8013G001 . PROTECTOR	1
- 80 7170	A		TM8013P001 . UPPER PROTECTOR	1
- 80 7170	B		TM8013P002 . LOWER PROTECTOR	1

- ITEM NOT ILLUSTRATED

NP NON PROCURABLE

8813368000

Description: HOISTING BEAM, TILTING



SAFRAN HELICOPTER ENGINES

ARRIEL 2 C1

MAINTENANCE TOOLS CATALOG

<i>Description</i>	<i>Part Number</i>
HOISTING BEAM, TILTING	8813368000

<i>This tool replaces the tool</i>

<i>Supply code</i>	<i>Calibration frequency</i>	<i>Functional criteria check</i>
3 - 1	12	N/A

Use	Tool for M01 - Acc. gearbox + transmission shaft installation/removal procedures (engine in vertical position). Used to handle the gas generator assy by a hoisting beam. Installed on the intermediate casing/turbine casing flanges.
------------	--

Use particularity	
--------------------------	--

<i>Alternate</i>	<i>Part Number</i>	<i>Description</i>

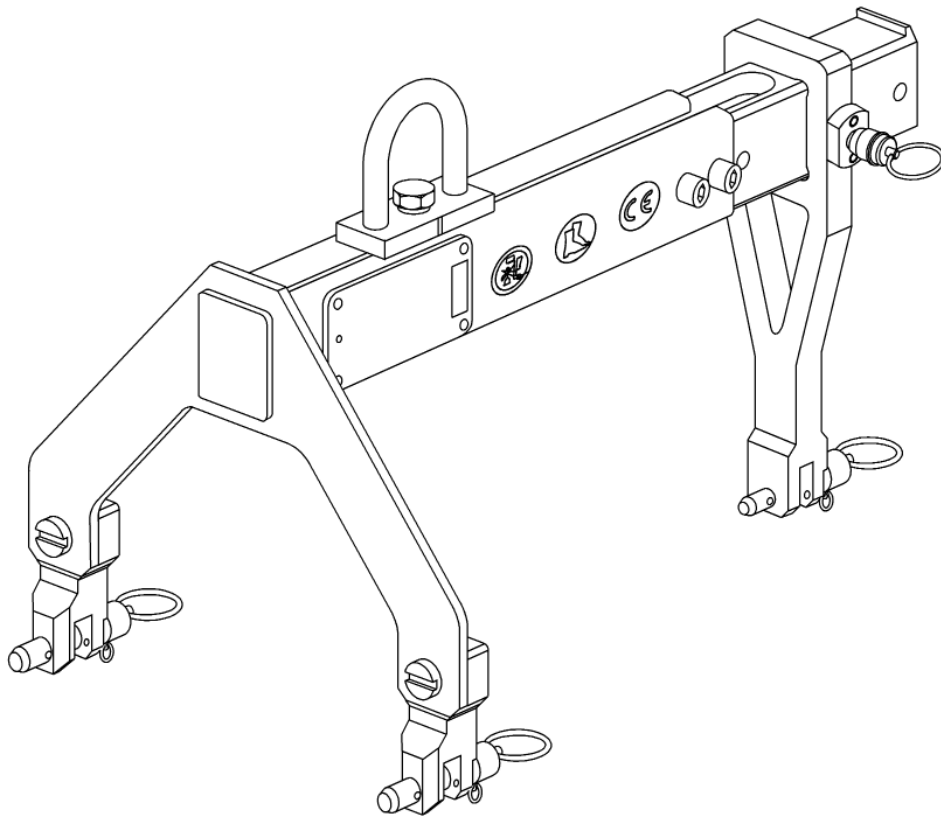
	TOOL			P/N	DESCRIPTION	QTY
	OT No.	Ind.	Ind.			
					1 2 3	
-	80 7250			8813368000	HOISTING BEAM, TILTING	1
-	80 7250	A		8813368001	. SUPPORT ARCH	1
-	80 7250	B		8813368002	. TRUNNION	1

- ITEM NOT ILLUSTRATED

NP NON PROCURABLE

TM4334G003

Description: HANDLING DEVICE



SAFRAN HELICOPTER ENGINES

ARRIEL 2 C1

MAINTENANCE TOOLS CATALOG

Description	Part Number
HANDLING DEVICE	TM4334G003

<i>This tool replaces the tool</i>

Supply code	Calibration frequency	Functional criteria check
3 - 1	12	N/A

Use	Tool used to handle the engine assembly with a hoist. The alternative tools 8819974000 or TM4334G002 can be used for all variants, except for variants 2D and 2E.
Use particularity	

Alternate	Part Number	Description
	8819974000 or TM4334G002 or TM6721G001	HANDLING DEVICE

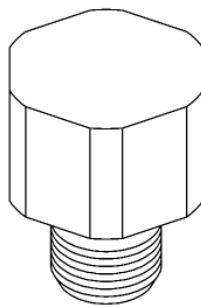
	TOOL			P/N	DESCRIPTION	QTY
	OT No.	Ind.	Ind.			
	80 7260			TM4334G003	HANDLING DEVICE	1
-	80 7260	A		TM4334P007	. SPREADER	1
-	80 7260	B		TM4334P009	. CLEVIS	1
-	80 7260	C		TM4334P010	. CLEVIS	2
-	80 7260	D		TM4334P011	. CLEVIS	2
-	80 7260	E		TM4334P012	. STOP RING	1
-	80 7260	F		TM4334P024	. END CAP	1
-	80 7260	G		TM4334P025	. PIN Ø8 LG.: 25	1
-	80 7260	H		TM4334P026	. PIN Ø10 LG.: 30	2
-	80 7260	I		TM4334P020	. SHOULDERED SCREW	2
-	80 7260	J		TM4334P021	. CLEVIS	2
-	80 7260	K		TM4334P027	. PIN Ø8 LG.: 35	1

- ITEM NOT ILLUSTRATED

NP NON PROCURABLE

TM3346G001

Description: BLANK



SAFRAN HELICOPTER ENGINES

ARRIEL 2 C1

MAINTENANCE TOOLS CATALOG

<i>Description</i>	<i>Part Number</i>
BLANK	TM3346G001

<i>This tool replaces the tool</i>

<i>Supply code</i>	<i>Calibration frequency</i>	<i>Functional criteria check</i>
3 - 2	N/A	N/A

<i>Use</i>	
------------	--

<i>Use particularity</i>	
--------------------------	--

<i>Alternate</i>	<i>Part Number</i>	<i>Description</i>

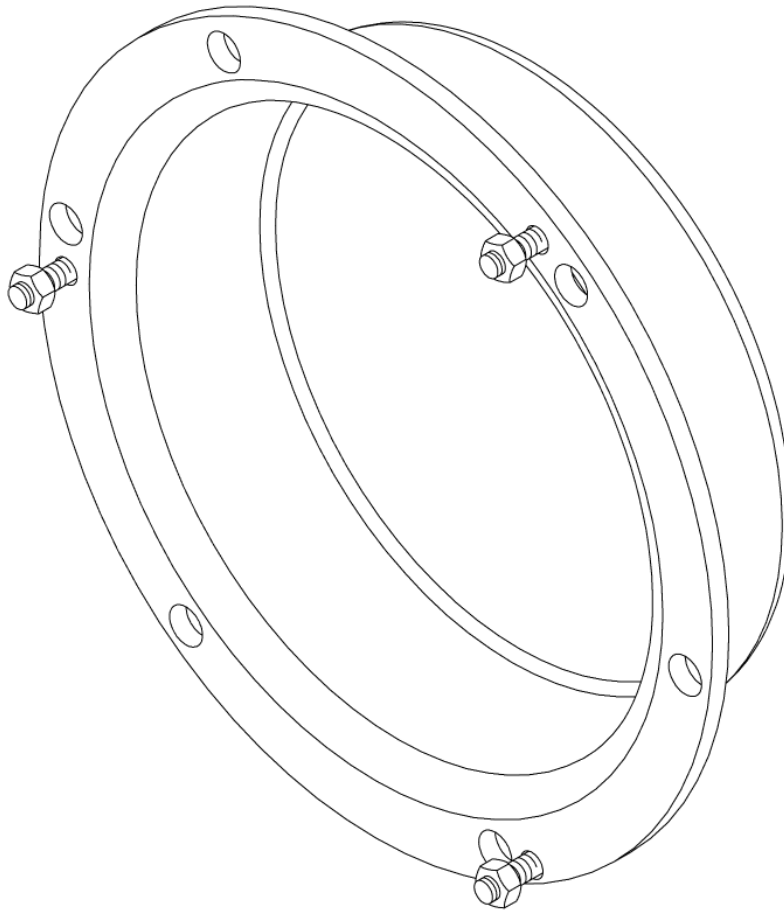
	TOOL			P/N	DESCRIPTION	QTY
	OT No.	Ind.	Ind.			
I	80 7330			TM3346G001	1 2 3 BLANK	1

- ITEM NOT ILLUSTRATED

NP NON PROCURABLE

8816714000

Description: BLANK, LINKING TUBE JUNCTION



SAFRAN HELICOPTER ENGINES

ARRIEL 2 C1

MAINTENANCE TOOLS CATALOG

<i>Description</i>	<i>Part Number</i>
BLANK, LINKING TUBE JUNCTION	8816714000

<i>This tool replaces the tool</i>

<i>Supply code</i>	<i>Calibration frequency</i>	<i>Functional criteria check</i>
3 - 2	N/A	N/A

<i>Use</i>	
------------	--

<i>Use particularity</i>	
--------------------------	--

<i>Alternate</i>	<i>Part Number</i>	<i>Description</i>

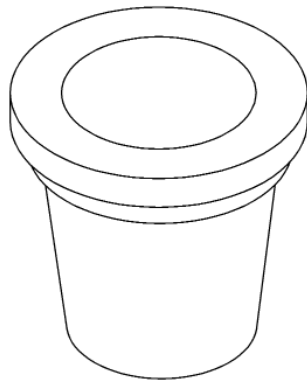
TOOL				P/N	DESCRIPTION	QTY
OT No.	Ind.	Ind.		1 2 3		
80 7350			8816714000	BLANK, LINKING TUBE JUNCTION	1	

- ITEM NOT ILLUSTRATED

NP NON PROCURABLE

9560111080

Description: U8 PLUG



SAFRAN HELICOPTER ENGINES

ARRIEL 2 C1

MAINTENANCE TOOLS CATALOG

<i>Description</i>	<i>Part Number</i>
U8 PLUG	9560111080

<i>This tool replaces the tool</i>

<i>Supply code</i>	<i>Calibration frequency</i>	<i>Functional criteria check</i>
3 - 2	N/A	N/A

<i>Use</i>	
------------	--

<i>Use particularity</i>	
--------------------------	--

<i>Alternate</i>	<i>Part Number</i>	<i>Description</i>

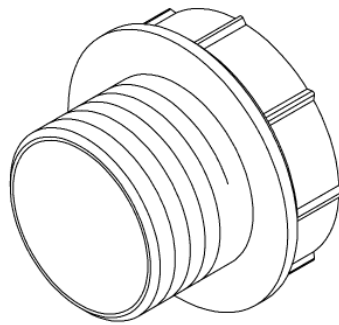
	TOOL			P/N	DESCRIPTION	QTY
	OT No.	Ind.	Ind.			
I	80 7360			9560111080	U8 PLUG	1

- ITEM NOT ILLUSTRATED

NP NON PROCURABLE

9561490100

Description: PLUG



SAFRAN HELICOPTER ENGINES

ARRIEL 2 C1

MAINTENANCE TOOLS CATALOG

<i>Description</i>	<i>Part Number</i>
PLUG	9561490100

<i>This tool replaces the tool</i>

<i>Supply code</i>	<i>Calibration frequency</i>	<i>Functional criteria check</i>
3 - 2	N/A	N/A

<i>Use</i>	
------------	--

<i>Use particularity</i>	
--------------------------	--

<i>Alternate</i>	<i>Part Number</i>	<i>Description</i>

TOOL				P/N	DESCRIPTION	QTY
OT No.	Ind.	Ind.		1 2 3		
80 7370			9561490100	PLUG		1

- ITEM NOT ILLUSTRATED

NP NON PROCURABLE

9789141500	<i>Description: PLUG</i>
------------	--------------------------

NON ILLUSTRATED TOOL

ARRIEL 2 C1

<i>Description</i>	<i>Part Number</i>
PLUG	9789141500

<i>This tool replaces the tool</i>

<i>Supply code</i>	<i>Calibration frequency</i>	<i>Functional criteria check</i>
3 - 2	N/A	N/A

<i>Use</i>	
------------	--

<i>Use particularity</i>	
--------------------------	--

<i>Alternate</i>	<i>Part Number</i>	<i>Description</i>

	TOOL			P/N	DESCRIPTION	QTY
	OT No.	Ind.	Ind.			
-	80 7380			9789141500	PLUG	1

- ITEM NOT ILLUSTRATED

NP NON PROCURABLE

9789400290

Description: U29 PLUG

NON ILLUSTRATED TOOL

SAFRAN HELICOPTER ENGINES

ARRIEL 2 C1

MAINTENANCE TOOLS CATALOG

<i>Description</i>	<i>Part Number</i>
U29 PLUG	9789400290

<i>This tool replaces the tool</i>

<i>Supply code</i>	<i>Calibration frequency</i>	<i>Functional criteria check</i>
3 - 2	N/A	N/A

<i>Use</i>	Tool used for compressor casing storage
------------	---

<i>Use particularity</i>	
--------------------------	--

<i>Alternate</i>	<i>Part Number</i>	<i>Description</i>

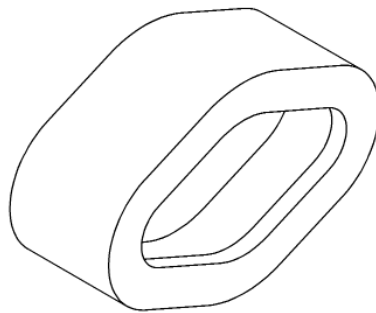
	TOOL			P/N	DESCRIPTION	QTY
	OT No.	Ind.	Ind.			
-	80 7390			9789400290	U29 PLUG	1

- ITEM NOT ILLUSTRATED

NP NON PROCURABLE

TM5407G001

Description: BLANK



SAFRAN HELICOPTER ENGINES

ARRIEL 2 C1

MAINTENANCE TOOLS CATALOG

<i>Description</i>	<i>Part Number</i>
BLANK	TM5407G001

<i>This tool replaces the tool</i>

<i>Supply code</i>	<i>Calibration frequency</i>	<i>Functional criteria check</i>
3 - 2	N/A	N/A

<i>Use</i>	
------------	--

<i>Use particularity</i>	
--------------------------	--

<i>Alternate</i>	<i>Part Number</i>	<i>Description</i>

	TOOL			P/N	DESCRIPTION	QTY
	OT No.	Ind.	Ind.			
1	80 7430			TM5407G001	1 2 3 BLANK	1

- ITEM NOT ILLUSTRATED

NP NON PROCURABLE

9789271500	Description: PLUG
------------	-------------------

NON ILLUSTRATED TOOL

SAFRAN HELICOPTER ENGINES

ARRIEL 2 C1

MAINTENANCE TOOLS CATALOG

<i>Description</i>	<i>Part Number</i>
PLUG	9789271500

<i>This tool replaces the tool</i>

<i>Supply code</i>	<i>Calibration frequency</i>	<i>Functional criteria check</i>
3 - 2	N/A	N/A

<i>Use</i>	
------------	--

<i>Use particularity</i>	
--------------------------	--

<i>Alternate</i>	<i>Part Number</i>	<i>Description</i>

	TOOL			P/N	DESCRIPTION	QTY
	OT No.	Ind.	Ind.			
-	80 7450			9789271500	PLUG	1

- ITEM NOT ILLUSTRATED

NP NON PROCURABLE

9789221500	<i>Description: PLUG</i>
------------	--------------------------

NON ILLUSTRATED TOOL

<i>Description</i>	<i>Part Number</i>
PLUG	9789221500

<i>This tool replaces the tool</i>

<i>Supply code</i>	<i>Calibration frequency</i>	<i>Functional criteria check</i>
3 - 2	N/A	N/A

<i>Use</i>	
------------	--

<i>Use particularity</i>	
--------------------------	--

<i>Alternate</i>	<i>Part Number</i>	<i>Description</i>

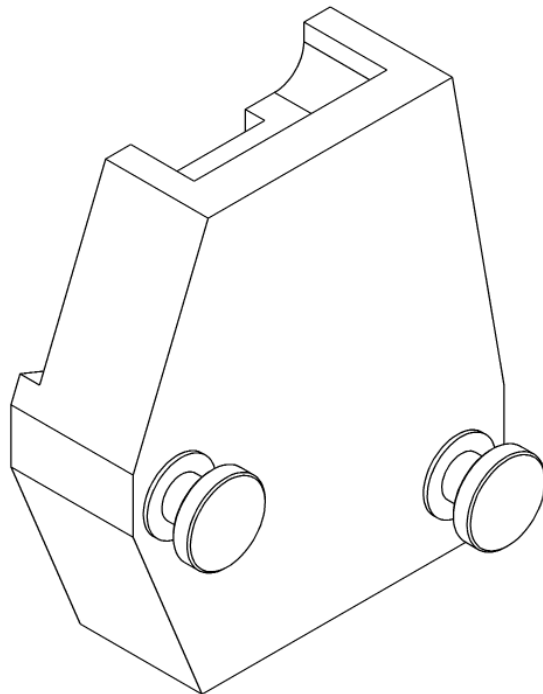
	TOOL			P/N	DESCRIPTION	QTY
	OT No.	Ind.	Ind.			
-	80 7460			9789221500	PLUG	1

- ITEM NOT ILLUSTRATED

NP NON PROCURABLE

TM0206G004

Description: PROTECTOR



SAFRAN HELICOPTER ENGINES

ARRIEL 2 C1

MAINTENANCE TOOLS CATALOG

<i>Description</i>	<i>Part Number</i>
PROTECTOR	TM0206G004

<i>This tool replaces the tool</i>

<i>Supply code</i>	<i>Calibration frequency</i>	<i>Functional criteria check</i>
3 - 2	N/A	N/A

<i>Use</i>	
------------	--

<i>Use particularity</i>	
--------------------------	--

<i>Alternate</i>	<i>Part Number</i>	<i>Description</i>

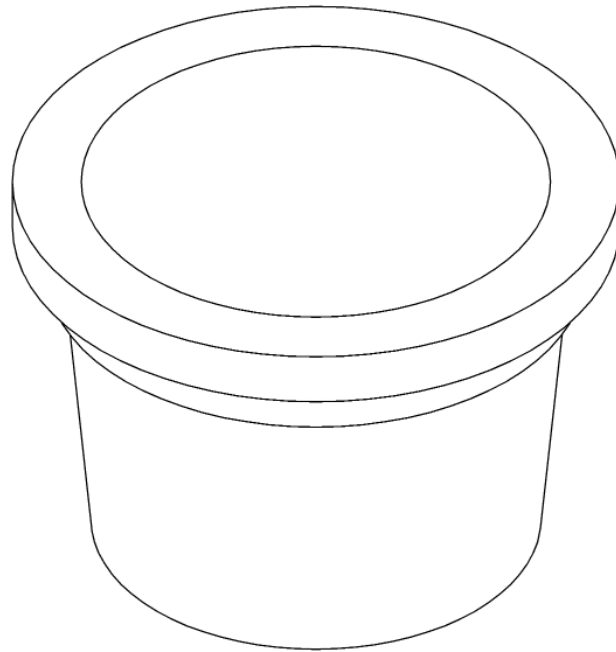
TOOL				P/N	DESCRIPTION	QTY
OT No.	Ind.	Ind.		1 2 3		
80 7470			TM0206G004	PROTECTOR		1

- ITEM NOT ILLUSTRATED

NP NON PROCURABLE

9560111120

Description: U14 PLUG



ARRIEL 2 C1

<i>Description</i>	<i>Part Number</i>
U14 PLUG	9560111120

<i>This tool replaces the tool</i>

<i>Supply code</i>	<i>Calibration frequency</i>	<i>Functional criteria check</i>
3 - 2	N/A	N/A

<i>Use</i>	
------------	--

<i>Use particularity</i>	
--------------------------	--

<i>Alternate</i>	<i>Part Number</i>	<i>Description</i>

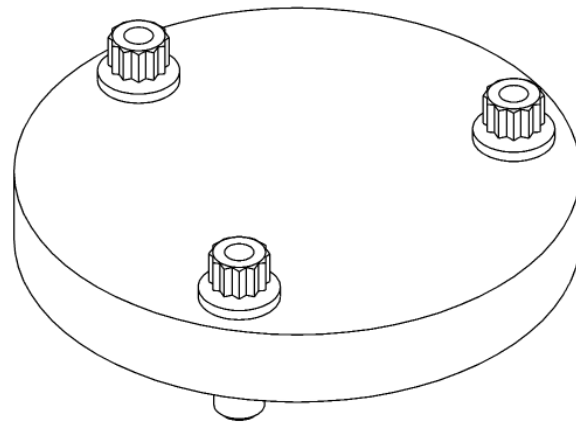
	TOOL			P/N	DESCRIPTION	QTY
	OT No.	Ind.	Ind.			
1	80 7480			9560111120	U14 PLUG	1

- ITEM NOT ILLUSTRATED

NP NON PROCURABLE

TM1034G001

Description: BLANK



SAFRAN HELICOPTER ENGINES

ARRIEL 2 C1

MAINTENANCE TOOLS CATALOG

<i>Description</i>	<i>Part Number</i>
BLANK	TM1034G001

<i>This tool replaces the tool</i>

<i>Supply code</i>	<i>Calibration frequency</i>	<i>Functional criteria check</i>
3 - 2	N/A	N/A

<i>Use</i>	
------------	--

<i>Use particularity</i>	
--------------------------	--

<i>Alternate</i>	<i>Part Number</i>	<i>Description</i>

TOOL				P/N	DESCRIPTION	QTY
OT No.	Ind.	Ind.		1 2 3		
80 7490			TM1034G001	BLANK		1

- ITEM NOT ILLUSTRATED

NP NON PROCURABLE

9789400090	<i>Description: U9 PLUG</i>
-------------------	-----------------------------

NON ILLUSTRATED TOOL

SAFRAN HELICOPTER ENGINES

ARRIEL 2 C1

MAINTENANCE TOOLS CATALOG

<i>Description</i>	<i>Part Number</i>
U9 PLUG	9789400090

<i>This tool replaces the tool</i>

<i>Supply code</i>	<i>Calibration frequency</i>	<i>Functional criteria check</i>
3 - 2	N/A	N/A

<i>Use</i>	
------------	--

<i>Use particularity</i>	
--------------------------	--

<i>Alternate</i>	<i>Part Number</i>	<i>Description</i>

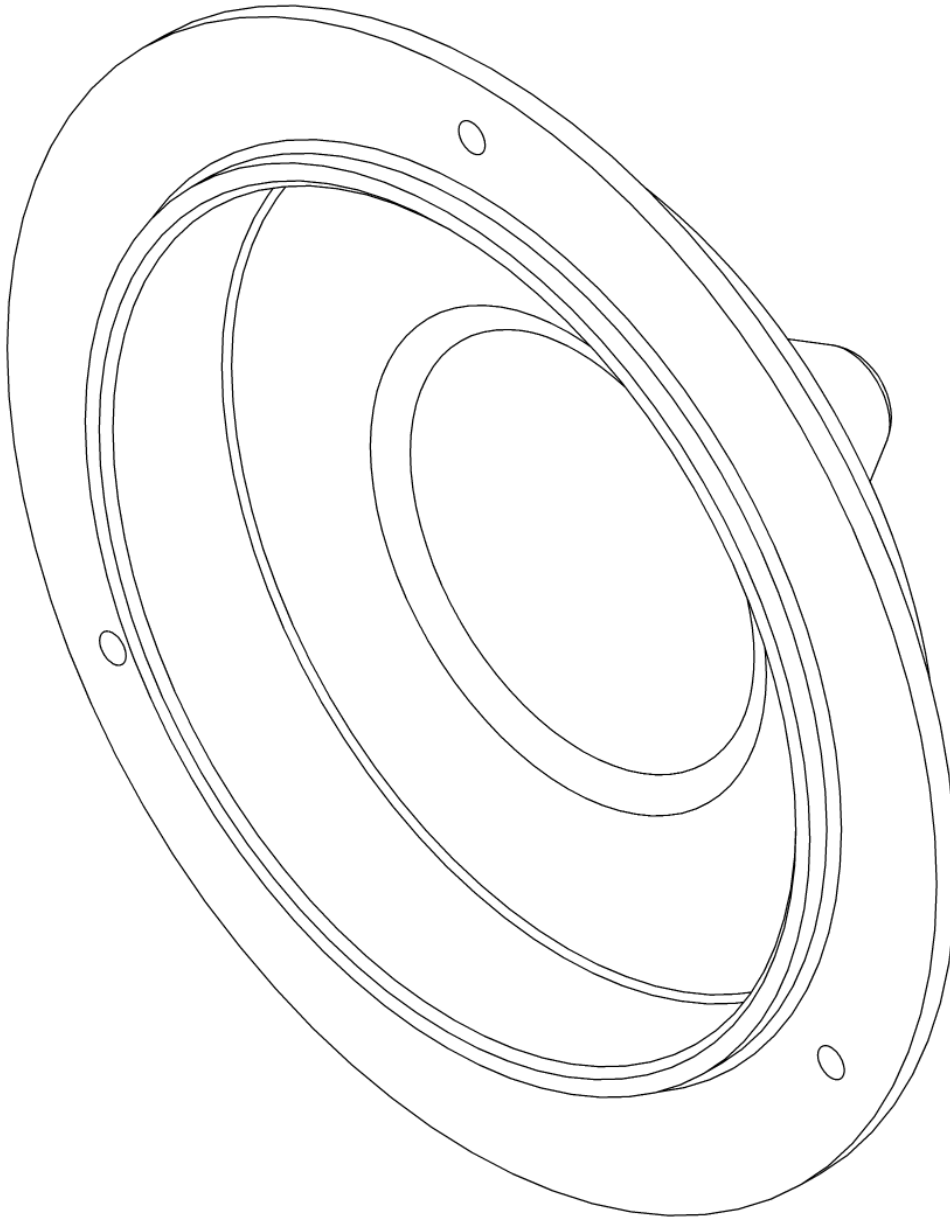
	TOOL			P/N	DESCRIPTION	QTY
	OT No.	Ind.	Ind.			
-	80 7500			9789400090	U9 PLUG	1

- ITEM NOT ILLUSTRATED

NP NON PROCURABLE

8816701000

Description: AIR INTAKE BLANK



SAFRAN HELICOPTER ENGINES

ARRIEL 2 C1

MAINTENANCE TOOLS CATALOG

<i>Description</i>	<i>Part Number</i>
AIR INTAKE BLANK	8816701000

<i>This tool replaces the tool</i>

<i>Supply code</i>	<i>Calibration frequency</i>	<i>Functional criteria check</i>
3 - 2	N/A	N/A

<i>Use</i>	
------------	--

<i>Use particularity</i>	
--------------------------	--

<i>Alternate</i>	<i>Part Number</i>	<i>Description</i>

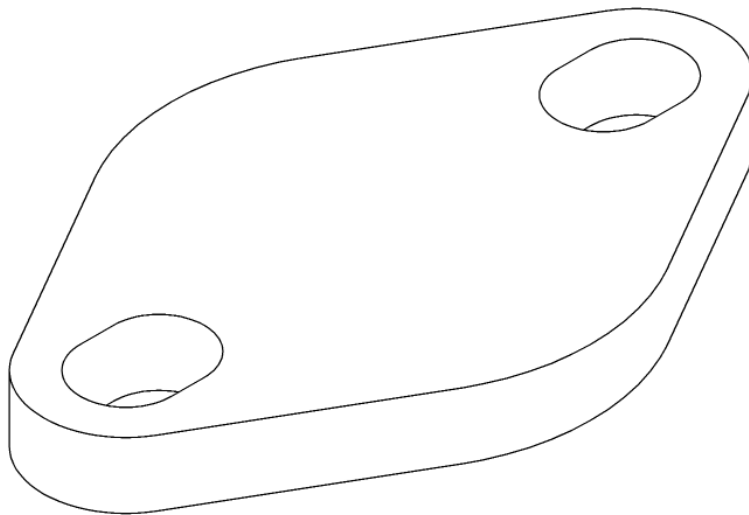
TOOL				P/N	DESCRIPTION	QTY
OT No.	Ind.	Ind.		1 2 3		
80 7510			8816701000	AIR INTAKE BLANK		1

- ITEM NOT ILLUSTRATED

NP NON PROCURABLE

8816680000

Description: BLANK



SAFRAN HELICOPTER ENGINES

ARRIEL 2 C1

MAINTENANCE TOOLS CATALOG

<i>Description</i>	<i>Part Number</i>
BLANK	8816680000

<i>This tool replaces the tool</i>

<i>Supply code</i>	<i>Calibration frequency</i>	<i>Functional criteria check</i>
3 - 2	N/A	N/A

<i>Use</i>	
------------	--

<i>Use particularity</i>	
--------------------------	--

<i>Alternate</i>	<i>Part Number</i>	<i>Description</i>

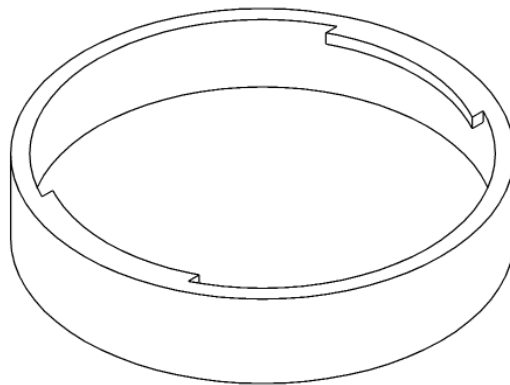
	TOOL			P/N	DESCRIPTION	QTY
	OT No.	Ind.	Ind.			
I	80 7520			8816680000	1 2 3 BLANK	1

- ITEM NOT ILLUSTRATED

NP NON PROCURABLE

TM0772G001

Description: AIR BLEED VALVE BLANK



SAFRAN HELICOPTER ENGINES

ARRIEL 2 C1

MAINTENANCE TOOLS CATALOG

<i>Description</i>	<i>Part Number</i>
AIR BLEED VALVE BLANK	TM0772G001

<i>This tool replaces the tool</i>

<i>Supply code</i>	<i>Calibration frequency</i>	<i>Functional criteria check</i>
3 - 2	N/A	N/A

<i>Use</i>	
------------	--

<i>Use particularity</i>	
--------------------------	--

<i>Alternate</i>	<i>Part Number</i>	<i>Description</i>

TOOL				P/N	DESCRIPTION	QTY
OT No.	Ind.	Ind.		1 2 3		
80 7530			TM0772G001	AIR BLEED VALVE BLANK		1

- ITEM NOT ILLUSTRATED

NP NON PROCURABLE

9560118180

Description: U28 PLUG

NON ILLUSTRATED TOOL

SAFRAN HELICOPTER ENGINES

ARRIEL 2 C1

MAINTENANCE TOOLS CATALOG

<i>Description</i>	<i>Part Number</i>
U28 PLUG	9560118180

<i>This tool replaces the tool</i>

<i>Supply code</i>	<i>Calibration frequency</i>	<i>Functional criteria check</i>
3 - 2	N/A	N/A

<i>Use</i>	
------------	--

<i>Use particularity</i>	
--------------------------	--

<i>Alternate</i>	<i>Part Number</i>	<i>Description</i>

	TOOL			P/N	DESCRIPTION	QTY
	OT No.	Ind.	Ind.			
I -	80 7540			9560118180	U28 PLUG	1

- ITEM NOT ILLUSTRATED

NP NON PROCURABLE

9789400300	Description: U30 PLUG
------------	-----------------------

NON ILLUSTRATED TOOL

ARRIEL 2 C1

<i>Description</i>	<i>Part Number</i>
U30 PLUG	9789400300

<i>This tool replaces the tool</i>

<i>Supply code</i>	<i>Calibration frequency</i>	<i>Functional criteria check</i>
3 - 2	N/A	N/A

<i>Use</i>	
------------	--

<i>Use particularity</i>	
--------------------------	--

<i>Alternate</i>	<i>Part Number</i>	<i>Description</i>

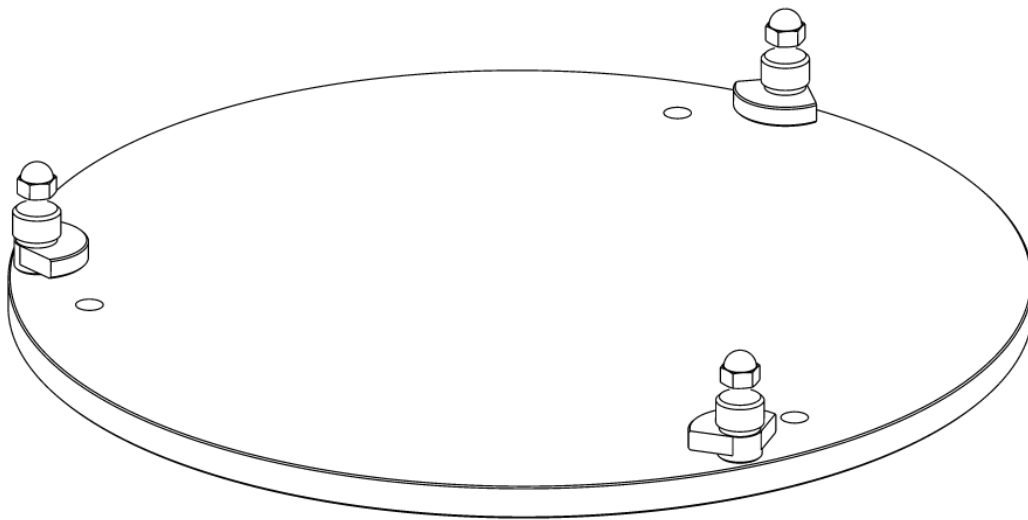
	TOOL			P/N	DESCRIPTION	QTY
	OT No.	Ind.	Ind.			
I -	80 7550			9789400300	U30 PLUG	1

- ITEM NOT ILLUSTRATED

NP NON PROCURABLE

TM5563G002

Description: BLANK



SAFRAN HELICOPTER ENGINES

ARRIEL 2 C1

MAINTENANCE TOOLS CATALOG

<i>Description</i>	<i>Part Number</i>
BLANK	TM5563G002

<i>This tool replaces the tool</i>	8813779000
------------------------------------	-------------------

<i>Supply code</i>	<i>Calibration frequency</i>	<i>Functional criteria check</i>
3 - 2	N/A	N/A

<i>Use</i>	
------------	--

<i>Use particularity</i>	
--------------------------	--

<i>Alternate</i>	<i>Part Number</i>	<i>Description</i>

TOOL				P/N	DESCRIPTION	QTY
OT No.	Ind.	Ind.		1 2 3		
80 7610			TM5563G002	BLANK		1

- ITEM NOT ILLUSTRATED

NP NON PROCURABLE

9789400070	Description: U7 PLUG
------------	----------------------

NON ILLUSTRATED TOOL

ARRIEL 2 C1

<i>Description</i>	<i>Part Number</i>
U7 PLUG	9789400070

<i>This tool replaces the tool</i>

<i>Supply code</i>	<i>Calibration frequency</i>	<i>Functional criteria check</i>
3 - 2	N/A	N/A

<i>Use</i>	
------------	--

<i>Use particularity</i>	
--------------------------	--

<i>Alternate</i>	<i>Part Number</i>	<i>Description</i>

	TOOL			P/N	DESCRIPTION	QTY
	OT No.	Ind.	Ind.			
-	80 7620			9789400070	U7 PLUG	1

- ITEM NOT ILLUSTRATED

NP NON PROCURABLE

9560136550	<i>Description: PLUG</i>
-------------------	--------------------------

NON ILLUSTRATED TOOL

SAFRAN HELICOPTER ENGINES

ARRIEL 2 C1

MAINTENANCE TOOLS CATALOG

<i>Description</i>	<i>Part Number</i>
PLUG	9560136550

<i>This tool replaces the tool</i>

<i>Supply code</i>	<i>Calibration frequency</i>	<i>Functional criteria check</i>
3 - 2	N/A	N/A

<i>Use</i>	
------------	--

<i>Use particularity</i>	
--------------------------	--

<i>Alternate</i>	<i>Part Number</i>	<i>Description</i>

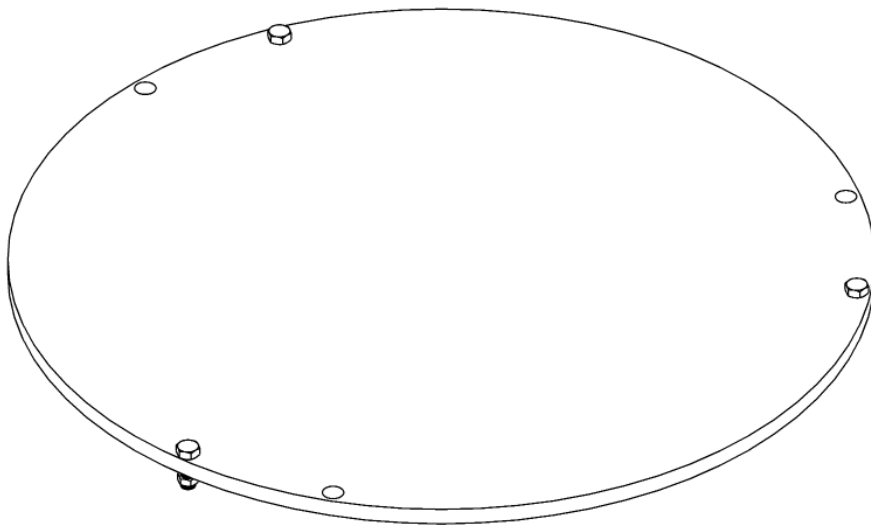
	TOOL			P/N	DESCRIPTION	QTY
	OT No.	Ind.	Ind.			
I -	80 7630			9560136550	PLUG	1

- ITEM NOT ILLUSTRATED

NP NON PROCURABLE

8819660000

Description: BLANK



SAFRAN HELICOPTER ENGINES

ARRIEL 2 C1

MAINTENANCE TOOLS CATALOG

<i>Description</i>	<i>Part Number</i>
BLANK	8819660000

<i>This tool replaces the tool</i>

<i>Supply code</i>	<i>Calibration frequency</i>	<i>Functional criteria check</i>
3 - 2	N/A	N/A

<i>Use</i>	
------------	--

<i>Use particularity</i>	
--------------------------	--

<i>Alternate</i>	<i>Part Number</i>	<i>Description</i>

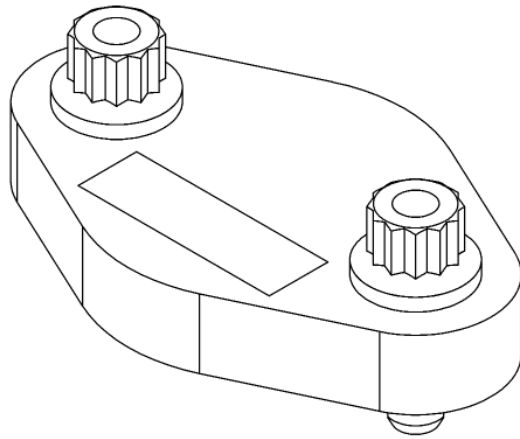
TOOL				P/N	DESCRIPTION	QTY
OT No.	Ind.	Ind.		1 2 3		
80 7640			8819660000	BLANK		1

- ITEM NOT ILLUSTRATED

NP NON PROCURABLE

TM4375G001

Description: BLANK



SAFRAN HELICOPTER ENGINES

ARRIEL 2 C1

MAINTENANCE TOOLS CATALOG

<i>Description</i>	<i>Part Number</i>
BLANK	TM4375G001

<i>This tool replaces the tool</i>

<i>Supply code</i>	<i>Calibration frequency</i>	<i>Functional criteria check</i>
3 - 2	N/A	N/A

<i>Use</i>	
------------	--

<i>Use particularity</i>	
--------------------------	--

<i>Alternate</i>	<i>Part Number</i>	<i>Description</i>

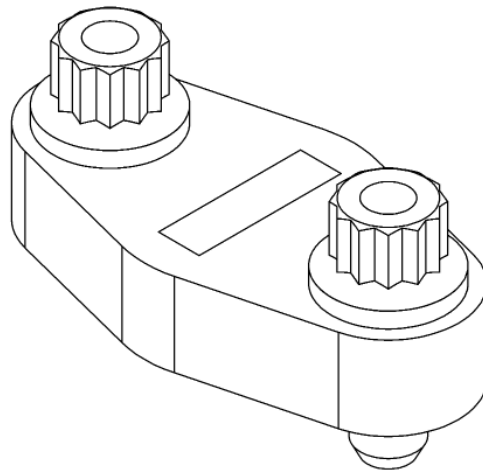
	TOOL			P/N	DESCRIPTION	QTY
	OT No.	Ind.	Ind.			
I	80 7650			TM4375G001	BLANK	1

- ITEM NOT ILLUSTRATED

NP NON PROCURABLE

TM4575G001

Description: BLANK



SAFRAN HELICOPTER ENGINES

ARRIEL 2 C1

MAINTENANCE TOOLS CATALOG

<i>Description</i>	<i>Part Number</i>
BLANK	TM4575G001

<i>This tool replaces the tool</i>

<i>Supply code</i>	<i>Calibration frequency</i>	<i>Functional criteria check</i>
3 - 2	N/A	N/A

<i>Use</i>	
------------	--

<i>Use particularity</i>	
--------------------------	--

<i>Alternate</i>	<i>Part Number</i>	<i>Description</i>

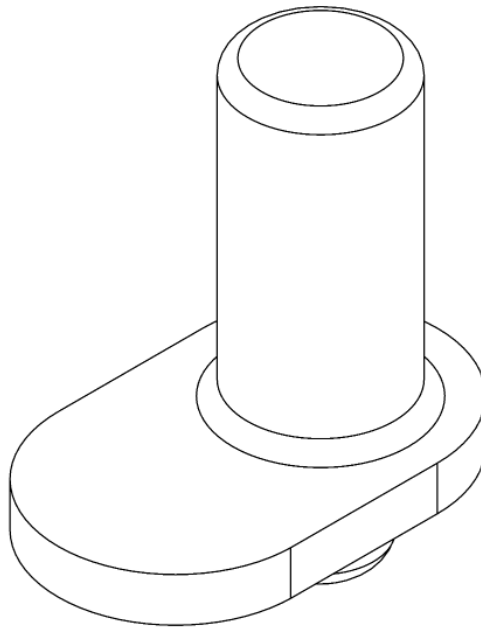
	TOOL			P/N	DESCRIPTION	QTY
	OT No.	Ind.	Ind.			
I	80 7660			TM4575G001	BLANK	1

- ITEM NOT ILLUSTRATED

NP NON PROCURABLE

TM5577G001

Description: BLANK



SAFRAN HELICOPTER ENGINES

ARRIEL 2 C1

MAINTENANCE TOOLS CATALOG

<i>Description</i>	<i>Part Number</i>
BLANK	TM5577G001

<i>This tool replaces the tool</i>	TM4587G001
------------------------------------	------------

<i>Supply code</i>	<i>Calibration frequency</i>	<i>Functional criteria check</i>
3 - 2	N/A	N/A

<i>Use</i>	
------------	--

<i>Use particularity</i>	
--------------------------	--

<i>Alternate</i>	<i>Part Number</i>	<i>Description</i>

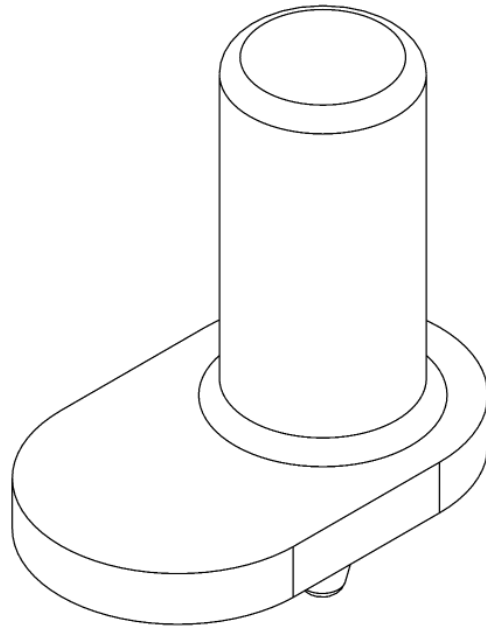
TOOL				P/N	DESCRIPTION	QTY
OT No.	Ind.	Ind.		1 2 3		
80 7670			TM5577G001	BLANK		1

- ITEM NOT ILLUSTRATED

NP NON PROCURABLE

TM0642G001

Description: BLANK



SAFRAN HELICOPTER ENGINES

ARRIEL 2 C1

MAINTENANCE TOOLS CATALOG

<i>Description</i>		<i>Part Number</i>
BLANK		TM0642G001
<i>This tool replaces the tool</i>		TM5657G001
<i>Supply code</i>	<i>Calibration frequency</i>	<i>Functional criteria check</i>
3 - 2	N/A	N/A
<i>Use</i>		
<i>Use particularity</i>		
<i>Alternate</i>	<i>Part Number</i>	<i>Description</i>

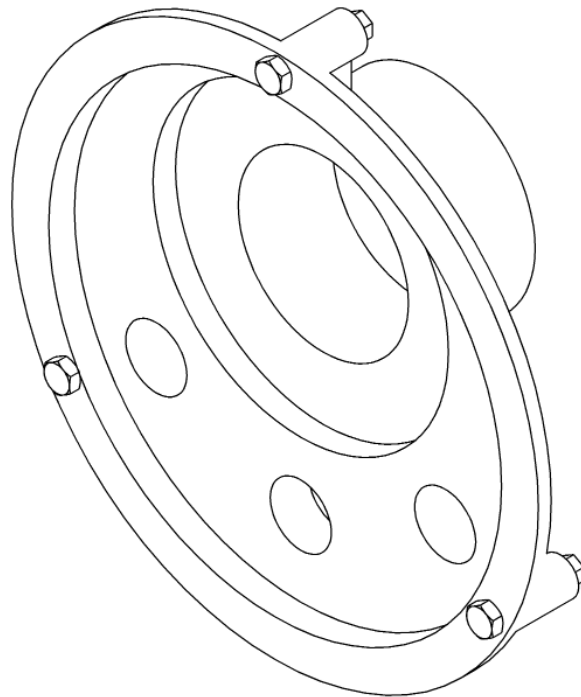
	TOOL			P/N	DESCRIPTION	QTY
	OT No.	Ind.	Ind.			
I	80 7680			TM0642G001	1 2 3 BLANK	1

- ITEM NOT ILLUSTRATED

NP NON PROCURABLE

8816715000

Description: JUNCTION SPOILER



SAFRAN HELICOPTER ENGINES

ARRIEL 2 C1

MAINTENANCE TOOLS CATALOG

<i>Description</i>	<i>Part Number</i>
JUNCTION SPOILER	8816715000

<i>This tool replaces the tool</i>

<i>Supply code</i>	<i>Calibration frequency</i>	<i>Functional criteria check</i>
3 - 2	N/A	N/A

<i>Use</i>	
------------	--

<i>Use particularity</i>	
--------------------------	--

<i>Alternate</i>	<i>Part Number</i>	<i>Description</i>

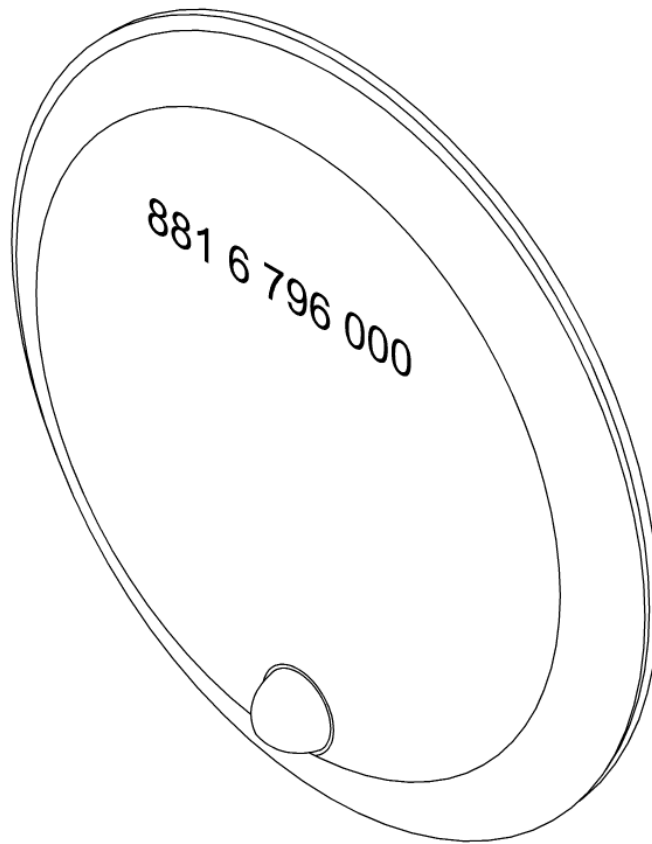
	TOOL			P/N	DESCRIPTION	QTY
	OT No.	Ind.	Ind.			
I	80 7690			8816715000	JUNCTION SPOILER	1

- ITEM NOT ILLUSTRATED

NP NON PROCURABLE

8816796000

Description: BLANK , STARTER



SAFRAN HELICOPTER ENGINES

ARRIEL 2 C1

MAINTENANCE TOOLS CATALOG

<i>Description</i>	<i>Part Number</i>
BLANK , STARTER	8816796000

<i>This tool replaces the tool</i>

<i>Supply code</i>	<i>Calibration frequency</i>	<i>Functional criteria check</i>
3 - 2	N/A	N/A

<i>Use</i>	
------------	--

<i>Use particularity</i>	
--------------------------	--

<i>Alternate</i>	<i>Part Number</i>	<i>Description</i>

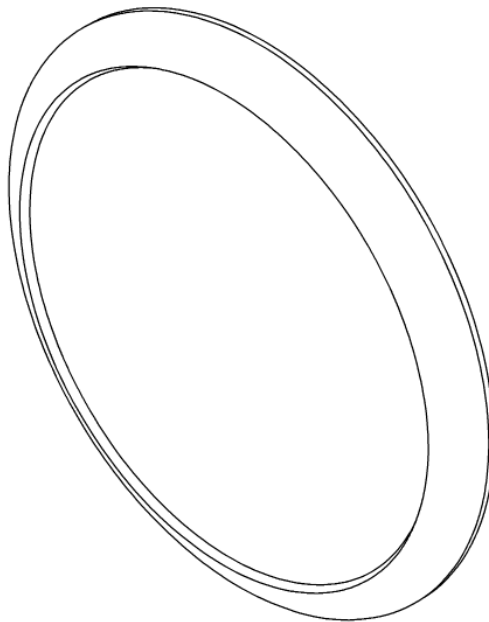
	TOOL			P/N	DESCRIPTION	QTY
	OT No.	Ind.	Ind.			
I	80 7700			8816796000	1 2 3 BLANK , STARTER	1

- ITEM NOT ILLUSTRATED

NP NON PROCURABLE

8819663000

Description: BLANK



SAFRAN HELICOPTER ENGINES

ARRIEL 2 C1

MAINTENANCE TOOLS CATALOG

<i>Description</i>	<i>Part Number</i>
BLANK	8819663000

<i>This tool replaces the tool</i>

<i>Supply code</i>	<i>Calibration frequency</i>	<i>Functional criteria check</i>
3 - 2	N/A	N/A

<i>Use</i>	
------------	--

<i>Use particularity</i>	
--------------------------	--

<i>Alternate</i>	<i>Part Number</i>	<i>Description</i>

TOOL				P/N	DESCRIPTION	QTY
OT No.	Ind.	Ind.		1 2 3		
80 7710			8819663000	BLANK		1

- ITEM NOT ILLUSTRATED

NP NON PROCURABLE

9560111100	Description: U11 PLUG
------------	-----------------------

NON ILLUSTRATED TOOL

SAFRAN HELICOPTER ENGINES

ARRIEL 2 C1

MAINTENANCE TOOLS CATALOG

<i>Description</i>	<i>Part Number</i>
U11 PLUG	9560111100

<i>This tool replaces the tool</i>

<i>Supply code</i>	<i>Calibration frequency</i>	<i>Functional criteria check</i>
3 - 2	N/A	N/A

<i>Use</i>	
------------	--

<i>Use particularity</i>	
--------------------------	--

<i>Alternate</i>	<i>Part Number</i>	<i>Description</i>

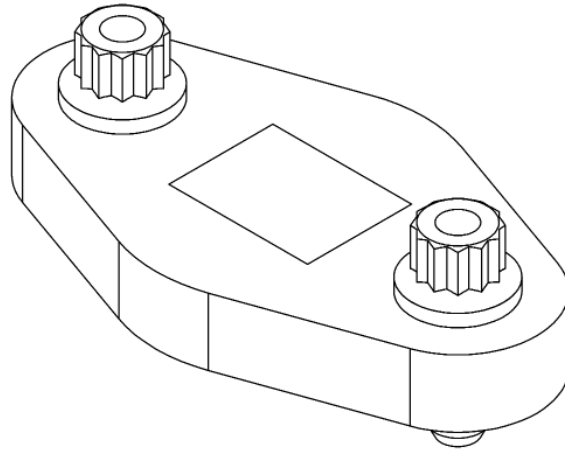
	TOOL			P/N	DESCRIPTION	QTY
	OT No.	Ind.	Ind.			
-	80 7730			9560111100	U11 PLUG	1

- ITEM NOT ILLUSTRATED

NP NON PROCURABLE

8817102000

Description: BLANK



SAFRAN HELICOPTER ENGINES

ARRIEL 2 C1

MAINTENANCE TOOLS CATALOG

<i>Description</i>	<i>Part Number</i>
BLANK	8817102000

<i>This tool replaces the tool</i>

<i>Supply code</i>	<i>Calibration frequency</i>	<i>Functional criteria check</i>
3 - 2	N/A	N/A

<i>Use</i>	
------------	--

<i>Use particularity</i>	
--------------------------	--

<i>Alternate</i>	<i>Part Number</i>	<i>Description</i>

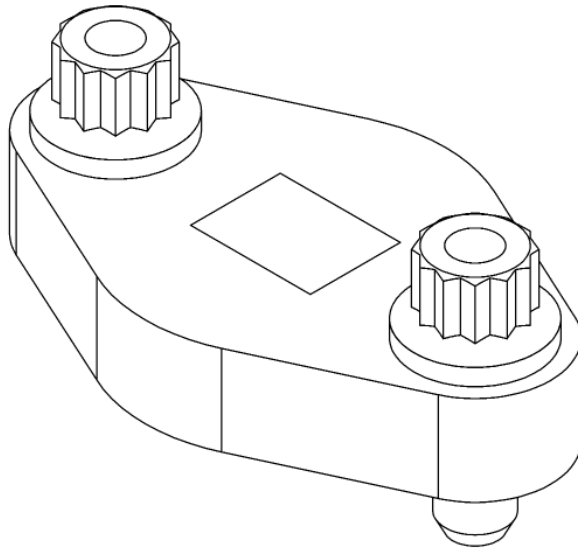
	TOOL			P/N	DESCRIPTION	QTY
	OT No.	Ind.	Ind.			
I	80 7740			8817102000	1 2 3 BLANK	1

- ITEM NOT ILLUSTRATED

NP NON PROCURABLE

8816389000

Description: BLANK, WATER WASH CONNECTION



SAFRAN HELICOPTER ENGINES

ARRIEL 2 C1

MAINTENANCE TOOLS CATALOG

<i>Description</i>	<i>Part Number</i>
BLANK, WATER WASH CONNECTION	8816389000

<i>This tool replaces the tool</i>

<i>Supply code</i>	<i>Calibration frequency</i>	<i>Functional criteria check</i>
3 - 2	N/A	N/A

<i>Use</i>	
------------	--

<i>Use particularity</i>	
--------------------------	--

<i>Alternate</i>	<i>Part Number</i>	<i>Description</i>

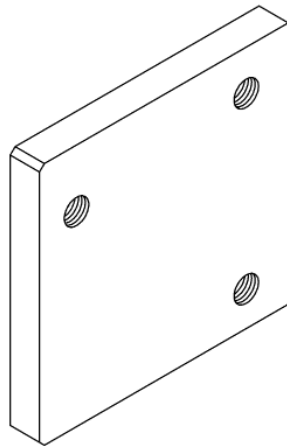
	TOOL			P/N	DESCRIPTION	QTY
	OT No.	Ind.	Ind.			
1	80 7750			8816389000	BLANK, WATER WASH CONNECTION	1

- ITEM NOT ILLUSTRATED

NP NON PROCURABLE

8819781000

Description: BLANK



SAFRAN HELICOPTER ENGINES

ARRIEL 2 C1

MAINTENANCE TOOLS CATALOG

<i>Description</i>	<i>Part Number</i>
BLANK	8819781000

<i>This tool replaces the tool</i>

<i>Supply code</i>	<i>Calibration frequency</i>	<i>Functional criteria check</i>
3 - 2	N/A	N/A

<i>Use</i>	
------------	--

<i>Use particularity</i>	
--------------------------	--

<i>Alternate</i>	<i>Part Number</i>	<i>Description</i>

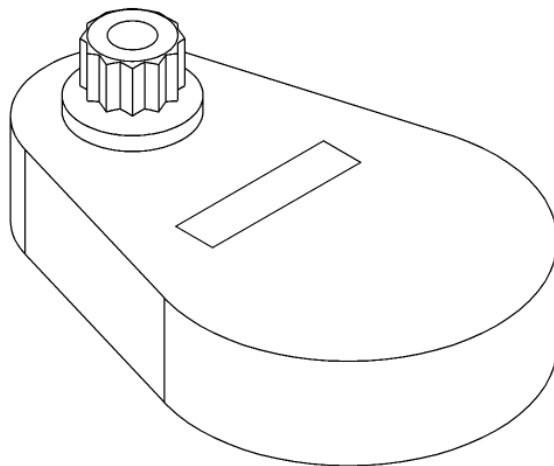
	TOOL			P/N	DESCRIPTION	QTY
	OT No.	Ind.	Ind.			
1	80 7760			8819781000	1 2 3 BLANK	1

- ITEM NOT ILLUSTRATED

NP NON PROCURABLE

TM4582G001

Description: BLANK



SAFRAN HELICOPTER ENGINES

ARRIEL 2 C1

MAINTENANCE TOOLS CATALOG

<i>Description</i>	<i>Part Number</i>
BLANK	TM4582G001

<i>This tool replaces the tool</i>

<i>Supply code</i>	<i>Calibration frequency</i>	<i>Functional criteria check</i>
3 - 2	N/A	N/A

<i>Use</i>	
------------	--

<i>Use particularity</i>	
--------------------------	--

<i>Alternate</i>	<i>Part Number</i>	<i>Description</i>

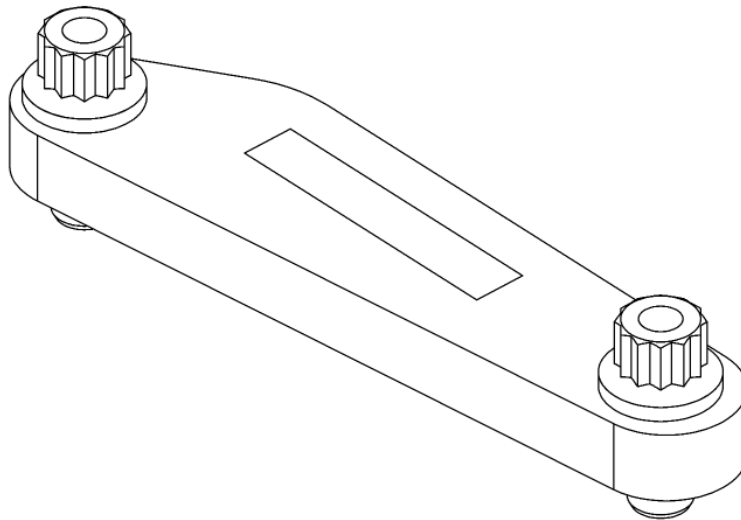
	TOOL			P/N	DESCRIPTION	QTY
	OT No.	Ind.	Ind.			
I	80 7780			TM4582G001	BLANK	1

- ITEM NOT ILLUSTRATED

NP NON PROCURABLE

TM4590G001

Description: BLANK



SAFRAN HELICOPTER ENGINES

ARRIEL 2 C1

MAINTENANCE TOOLS CATALOG

<i>Description</i>	<i>Part Number</i>
BLANK	TM4590G001

<i>This tool replaces the tool</i>

<i>Supply code</i>	<i>Calibration frequency</i>	<i>Functional criteria check</i>
3 - 2	N/A	N/A

<i>Use</i>	
------------	--

<i>Use particularity</i>	
--------------------------	--

<i>Alternate</i>	<i>Part Number</i>	<i>Description</i>

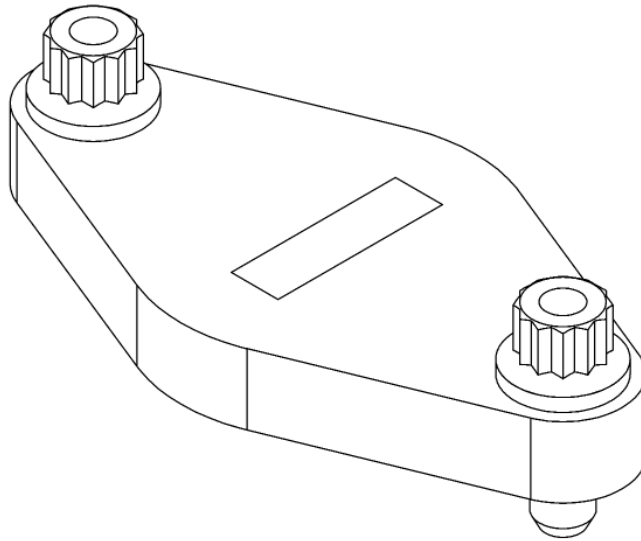
	TOOL			P/N	DESCRIPTION	QTY
	OT No.	Ind.	Ind.			
1	80 7790			TM4590G001	BLANK	1

- ITEM NOT ILLUSTRATED

NP NON PROCURABLE

TM4591G001

Description: BLANK



SAFRAN HELICOPTER ENGINES

ARRIEL 2 C1

MAINTENANCE TOOLS CATALOG

<i>Description</i>	<i>Part Number</i>
BLANK	TM4591G001

<i>This tool replaces the tool</i>

<i>Supply code</i>	<i>Calibration frequency</i>	<i>Functional criteria check</i>
3 - 2	N/A	N/A

<i>Use</i>	
------------	--

<i>Use particularity</i>	
--------------------------	--

<i>Alternate</i>	<i>Part Number</i>	<i>Description</i>

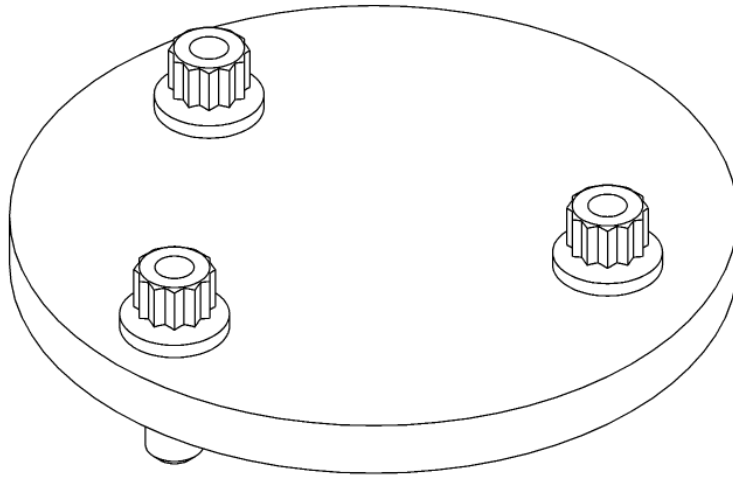
	TOOL			P/N	DESCRIPTION	QTY
	OT No.	Ind.	Ind.			
I	80 7800			TM4591G001	1 2 3 BLANK	1

- ITEM NOT ILLUSTRATED

NP NON PROCURABLE

TM4592G001

Description: BLANK



SAFRAN HELICOPTER ENGINES

ARRIEL 2 C1

MAINTENANCE TOOLS CATALOG

<i>Description</i>	<i>Part Number</i>
BLANK	TM4592G001

<i>This tool replaces the tool</i>

<i>Supply code</i>	<i>Calibration frequency</i>	<i>Functional criteria check</i>
3 - 2	N/A	N/A

<i>Use</i>	
------------	--

<i>Use particularity</i>	
--------------------------	--

<i>Alternate</i>	<i>Part Number</i>	<i>Description</i>

TOOL				P/N	DESCRIPTION	QTY
OT No.	Ind.	Ind.		1 2 3		
80 7810			TM4592G001	BLANK		1

- ITEM NOT ILLUSTRATED

NP NON PROCURABLE

9561490180

Description: U2 PLUG

NON ILLUSTRATED TOOL

SAFRAN HELICOPTER ENGINES

ARRIEL 2 C1

MAINTENANCE TOOLS CATALOG

<i>Description</i>	<i>Part Number</i>
U2 PLUG	9561490180

<i>This tool replaces the tool</i>

<i>Supply code</i>	<i>Calibration frequency</i>	<i>Functional criteria check</i>
3 - 2	N/A	N/A

<i>Use</i>	
------------	--

<i>Use particularity</i>	
--------------------------	--

<i>Alternate</i>	<i>Part Number</i>	<i>Description</i>

	TOOL			P/N	DESCRIPTION	QTY
	OT No.	Ind.	Ind.			
I -	80 7830			9561490180	U2 PLUG	1

- ITEM NOT ILLUSTRATED

NP NON PROCURABLE

9560128590	<i>Description: BLANK</i>
-------------------	---------------------------

NON ILLUSTRATED TOOL

SAFRAN HELICOPTER ENGINES

ARRIEL 2 C1

MAINTENANCE TOOLS CATALOG

<i>Description</i>	<i>Part Number</i>
BLANK	9560128590

<i>This tool replaces the tool</i>

<i>Supply code</i>	<i>Calibration frequency</i>	<i>Functional criteria check</i>
3 - 2	N/A	N/A

<i>Use</i>	
------------	--

<i>Use particularity</i>	
--------------------------	--

<i>Alternate</i>	<i>Part Number</i>	<i>Description</i>

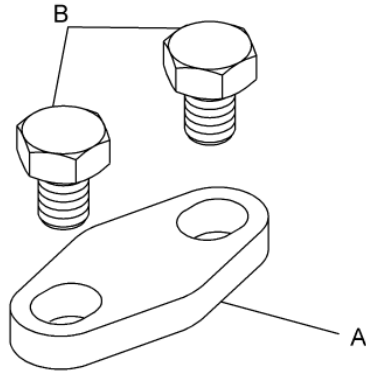
	TOOL			P/N	DESCRIPTION	QTY
	OT No.	Ind.	Ind.			
I -	80 7870			9560128590	1 2 3 BLANK	1

- ITEM NOT ILLUSTRATED

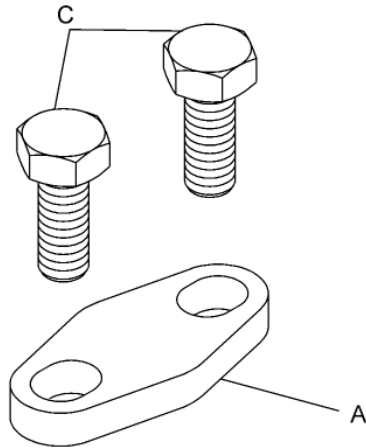
NP NON PROCURABLE

8816676000

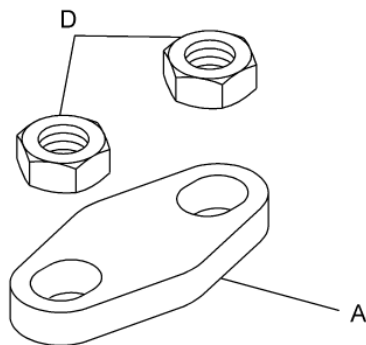
Description: FLANGE BLANKING DN6-DN8



OR



OR



SAFRAN HELICOPTER ENGINES

ARRIEL 2 C1

MAINTENANCE TOOLS CATALOG

<i>Description</i>	<i>Part Number</i>
FLANGE BLANKING DN6-DN8	8816676000

<i>This tool replaces the tool</i>

<i>Supply code</i>	<i>Calibration frequency</i>	<i>Functional criteria check</i>
3 - 2	N/A	N/A

<i>Use</i>	
------------	--

<i>Use particularity</i>	
--------------------------	--

<i>Alternate</i>	<i>Part Number</i>	<i>Description</i>

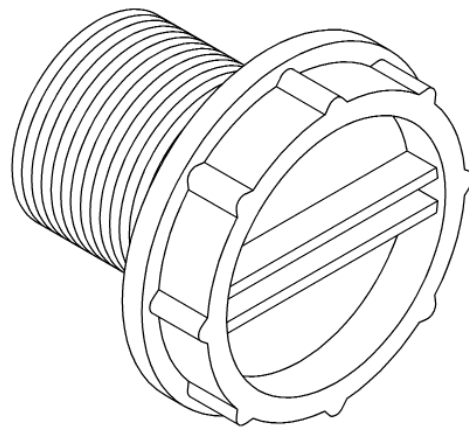
	TOOL			P/N	DESCRIPTION	QTY
	OT No.	Ind.	Ind.			
	80 7890			8816676000	FLANGE BLANKING DN6-DN8	1
	80 7890	A		8816676001	. BLANK	1
	80 7890	B		9560133890	. SCREW H M5-10	2
	80 7890	C		9560155420	. SCREW H M5-16	2
	80 7890	D		9560133910	. NUT H M5	2

- ITEM NOT ILLUSTRATED

NP NON PROCURABLE

9561490170

Description: PLUG



SAFRAN HELICOPTER ENGINES

ARRIEL 2 C1

MAINTENANCE TOOLS CATALOG

<i>Description</i>	<i>Part Number</i>
PLUG	9561490170

<i>This tool replaces the tool</i>

<i>Supply code</i>	<i>Calibration frequency</i>	<i>Functional criteria check</i>
3 - 2	N/A	N/A

<i>Use</i>	
------------	--

<i>Use particularity</i>	
--------------------------	--

<i>Alternate</i>	<i>Part Number</i>	<i>Description</i>

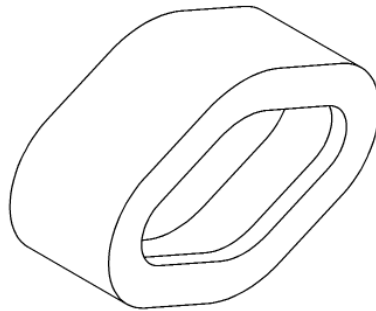
	TOOL			P/N	DESCRIPTION	QTY
	OT No.	Ind.	Ind.			
I	80 7900			9561490170	PLUG	1

- ITEM NOT ILLUSTRATED

NP NON PROCURABLE

TM5408G001

Description: BLANK



SAFRAN HELICOPTER ENGINES

ARRIEL 2 C1

MAINTENANCE TOOLS CATALOG

<i>Description</i>	<i>Part Number</i>
BLANK	TM5408G001

<i>This tool replaces the tool</i>

<i>Supply code</i>	<i>Calibration frequency</i>	<i>Functional criteria check</i>
3 - 2	N/A	N/A

<i>Use</i>	
------------	--

<i>Use particularity</i>	
--------------------------	--

<i>Alternate</i>	<i>Part Number</i>	<i>Description</i>

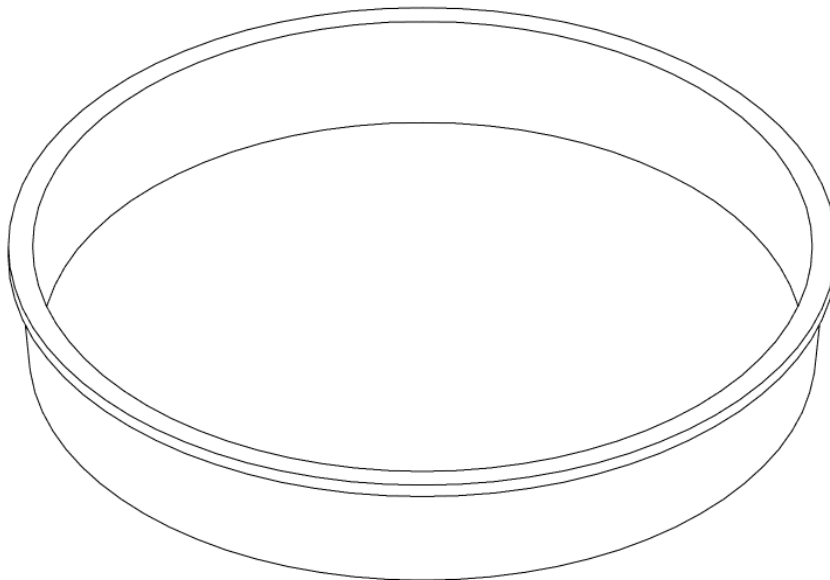
	TOOL			P/N	DESCRIPTION	QTY
	OT No.	Ind.	Ind.			
I	80 7910			TM5408G001	BLANK	1

- ITEM NOT ILLUSTRATED

NP NON PROCURABLE

9560159360

Description: TAPERED PLUG



SAFRAN HELICOPTER ENGINES

ARRIEL 2 C1

MAINTENANCE TOOLS CATALOG

<i>Description</i>	<i>Part Number</i>
TAPERED PLUG	9560159360

<i>This tool replaces the tool</i>

<i>Supply code</i>	<i>Calibration frequency</i>	<i>Functional criteria check</i>
3 - 2	N/A	N/A

<i>Use</i>	
------------	--

<i>Use particularity</i>	
--------------------------	--

<i>Alternate</i>	<i>Part Number</i>	<i>Description</i>

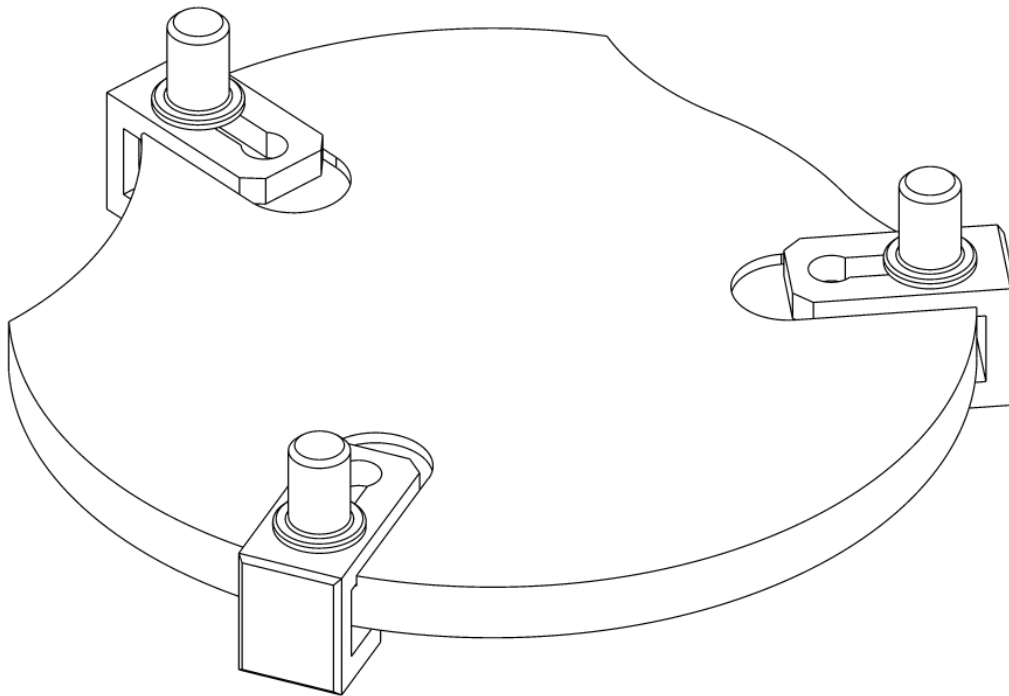
	TOOL			P/N	DESCRIPTION	QTY
	OT No.	Ind.	Ind.			
I	80 7930			9560159360	TAPERED PLUG	1

- ITEM NOT ILLUSTRATED

NP NON PROCURABLE

TM4473G001

Description: BLANK



SAFRAN HELICOPTER ENGINES

ARRIEL 2 C1

MAINTENANCE TOOLS CATALOG

<i>Description</i>	<i>Part Number</i>
BLANK	TM4473G001

<i>This tool replaces the tool</i>

<i>Supply code</i>	<i>Calibration frequency</i>	<i>Functional criteria check</i>
3 - 2	N/A	N/A

<i>Use</i>	
------------	--

<i>Use particularity</i>	
--------------------------	--

<i>Alternate</i>	<i>Part Number</i>	<i>Description</i>

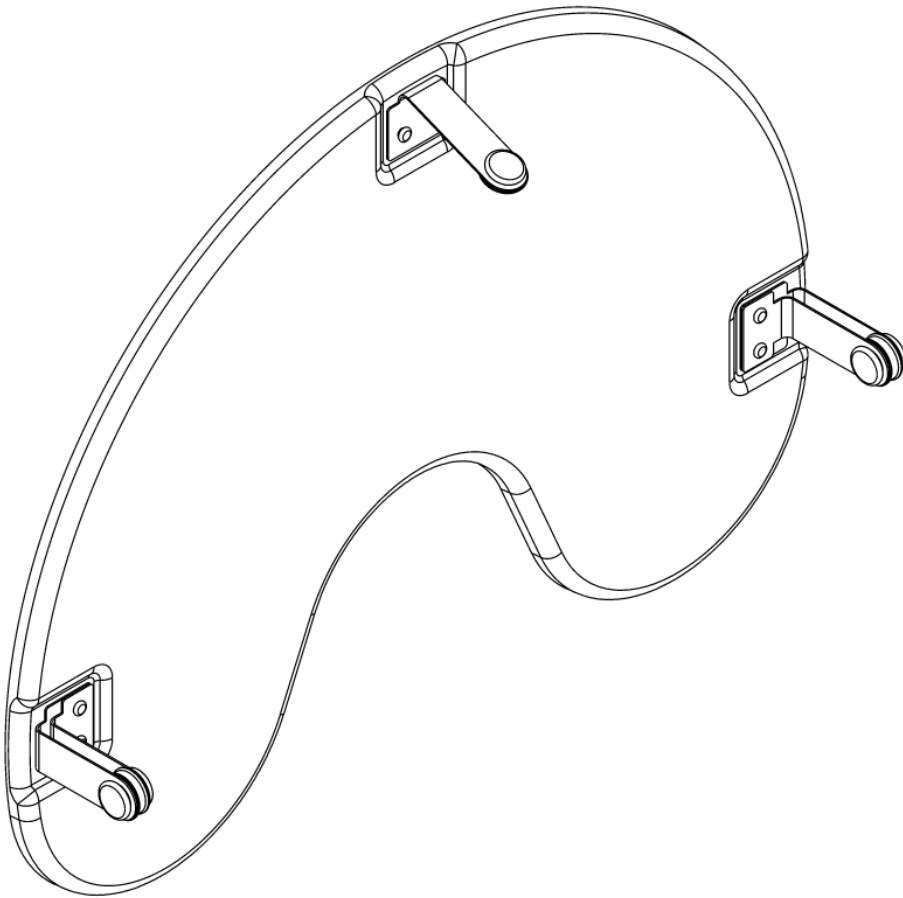
	TOOL			P/N	DESCRIPTION	QTY
	OT No.	Ind.	Ind.			
I	80 7970			TM4473G001	BLANK	1

- ITEM NOT ILLUSTRATED

NP NON PROCURABLE

TM5393G002

Description: BLANK



SAFRAN HELICOPTER ENGINES

ARRIEL 2 C1

MAINTENANCE TOOLS CATALOG

<i>Description</i>	<i>Part Number</i>
BLANK	TM5393G002

<i>This tool replaces the tool</i>

<i>Supply code</i>	<i>Calibration frequency</i>	<i>Functional criteria check</i>
3 - 2	N/A	N/A

<i>Use</i>	
------------	--

<i>Use particularity</i>	
--------------------------	--

<i>Alternate</i>	<i>Part Number</i>	<i>Description</i>

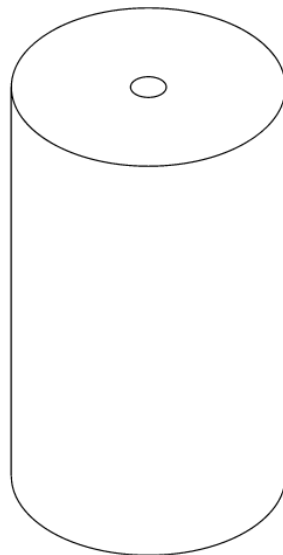
	TOOL			P/N	DESCRIPTION	QTY
	OT No.	Ind.	Ind.			
I	80 7980			TM5393G002	BLANK	1

- ITEM NOT ILLUSTRATED

NP NON PROCURABLE

TM4511G001

Description: PROTECTOR



SAFRAN HELICOPTER ENGINES

ARRIEL 2 C1

MAINTENANCE TOOLS CATALOG

<i>Description</i>	<i>Part Number</i>
PROTECTOR	TM4511G001

<i>This tool replaces the tool</i>

<i>Supply code</i>	<i>Calibration frequency</i>	<i>Functional criteria check</i>
3 - 2	N/A	N/A

<i>Use</i>	
------------	--

<i>Use particularity</i>	
--------------------------	--

<i>Alternate</i>	<i>Part Number</i>	<i>Description</i>

TOOL				P/N	DESCRIPTION	QTY
OT No.	Ind.	Ind.		1 2 3		
80 7990			TM4511G001	PROTECTOR		1

- ITEM NOT ILLUSTRATED

NP NON PROCURABLE

9560111180	Description: U25 PLUG
------------	-----------------------

NON ILLUSTRATED TOOL

SAFRAN HELICOPTER ENGINES

ARRIEL 2 C1

MAINTENANCE TOOLS CATALOG

<i>Description</i>	<i>Part Number</i>
U25 PLUG	9560111180

<i>This tool replaces the tool</i>	9789400260
------------------------------------	------------

<i>Supply code</i>	<i>Calibration frequency</i>	<i>Functional criteria check</i>
3 - 2	N/A	N/A

<i>Use</i>	
------------	--

<i>Use particularity</i>	
--------------------------	--

<i>Alternate</i>	<i>Part Number</i>	<i>Description</i>

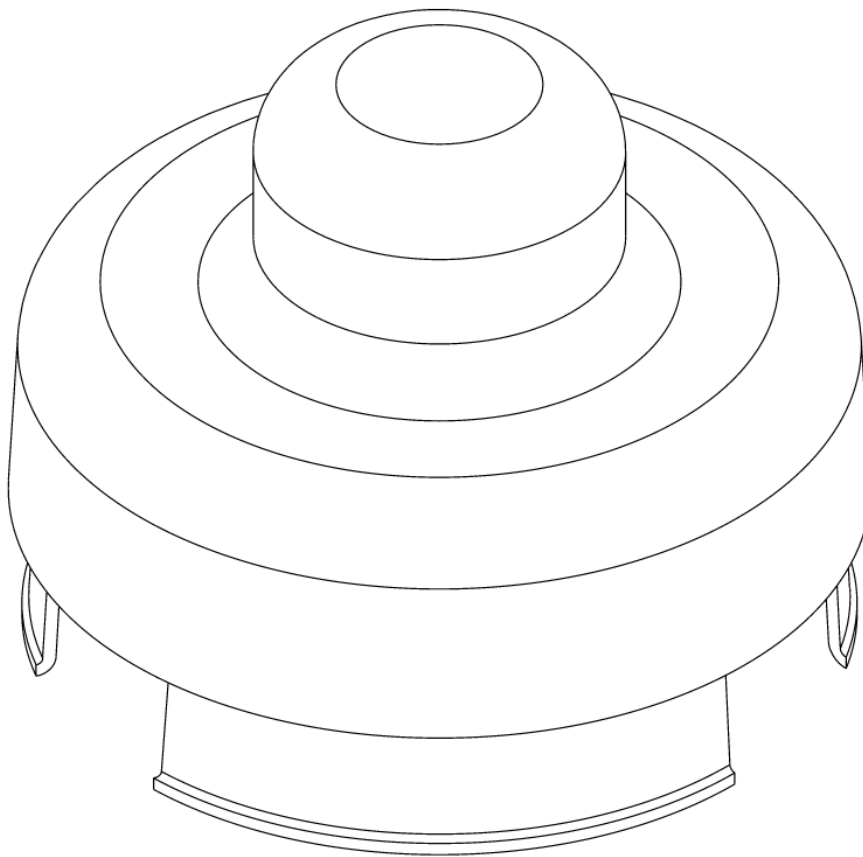
	TOOL			P/N	DESCRIPTION	QTY
	OT No.	Ind.	Ind.			
I -	80 8020			9560111180	U25 PLUG	1

- ITEM NOT ILLUSTRATED

NP NON PROCURABLE

TM8012G001

Description: BLANK,POWER SHAFT



SAFRAN HELICOPTER ENGINES

ARRIEL 2 C1

MAINTENANCE TOOLS CATALOG

<i>Description</i>	<i>Part Number</i>
BLANK,POWER SHAFT	TM8012G001

<i>This tool replaces the tool</i>

<i>Supply code</i>	<i>Calibration frequency</i>	<i>Functional criteria check</i>
3 - 2	N/A	N/A

<i>Use</i>	
------------	--

<i>Use particularity</i>	
--------------------------	--

<i>Alternate</i>	<i>Part Number</i>	<i>Description</i>
	8814283000	OBTURATEUR PRISE DE MOUVEMENT

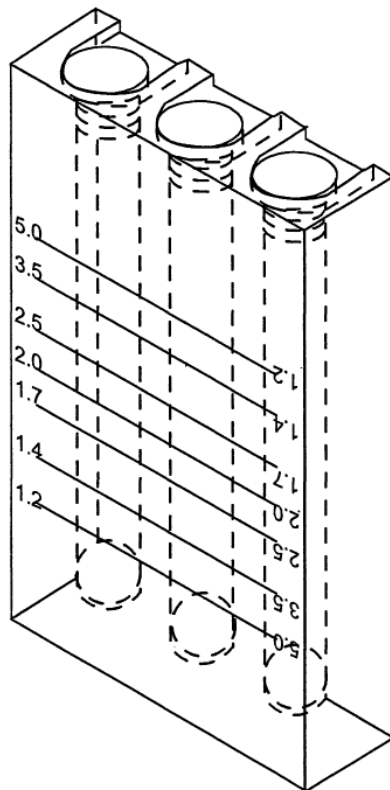
	TOOL			P/N	DESCRIPTION	QTY
	OT No.	Ind.	Ind.			
I	80 8040			TM8012G001	BLANK,POWER SHAFT	1

- ITEM NOT ILLUSTRATED

NP NON PROCURABLE

8819252000

Description: VISCOMETER (THROUGH COMPARISON OF VISCOSITY)



TURBOMECA ARRIEL 2 C1

MAINTENANCE TOOLS CATALOG

<i>Description</i>	<i>Part Number</i>
VISCOMETER (THROUGH COMPARISON OF VISCOSITY)	8819252000

<i>This tool replaces the tool</i>	8814785000
------------------------------------	------------

<i>Supply code</i>	<i>Calibration frequency</i>	<i>Functional criteria check</i>
3 - 2	N/A	N/A

<i>Use</i>	Tool required for the detection and assessment of the rate of dilution of the fuel in the oil.
<i>Use particularity</i>	

<i>Alternate</i>	<i>Part Number</i>	<i>Description</i>

TOOL				P/N	DESCRIPTION	QTY
OT No.	Ind.	Ind.		1 2 3		
90 0010			8819252000	VISCOMETER (THROUGH COMPARISON OF VISCOSITY)	1	

- ITEM NOT ILLUSTRATED

NP NON PROCURABLE

