

HELICOPTER ENGINES

TURBOSHAFT

ARRIEL 2

C1

ILLUSTRATED PARTS CATALOG

No. X 292 N4 600 2

Original issue: Feb. 01/1999
Update No. 50: June 15/2023



64511 BORDES CEDEX - FRANCE - Tel.: +33 (0)5 59 12 50 00
www.safran-helicopter-engines.com

LETTER

This covering letter is not part of the ILLUSTRATED PARTS CATALOG.
Do not keep it on the ILLUSTRATED PARTS CATALOG.

Bordes, Jun. 15/2023

Dear Sir / Madam,

The *ARRIEL 2 C1 ILLUSTRATED PARTS CATALOG No. X 292 N4 600 2* has been subject to normal update No. 50 on Jun. 15/2023.

A description of the update (description, pages to be removed or inserted) is provided below.

We remain at your disposal for any further information you may require. Very truly yours

Technical Publications

Task Number	Description	Pages to be removed	Pages to be inserted
TITLE PAGE	Integration	ALL	1
LIST OF EFFECTIVE PRELIMINARY PAGES	Integration	ALL	1 - 2
LIST OF CHAPTERS BY CHAPTER NO.	Integration	ALL	1 - 2
LIST OF CHAPTERS BY TITLE	Integration	ALL	1 - 2
LAP - 00	Integration	ALL	1 to 2
00-00-40 - NUMERICAL INDEX OF SAFRAN HELICOPTER ENGINES PART NUMBERS	Integration	ALL	1 to 28
00-00-41 - ALPHANUMERICAL INDEX OF MANUFACTURER PART NUMBERS	Integration	ALL	1 to 12
00-00-42 - NUMERICAL INDEX OF NATO PART NUMBERS	Integration	ALL	1 to 20
00-00-43 - LIST OF MANUFACTURER CODES	Integration	ALL	1 to 4
LAP - 72	Integration	ALL	1 to 4
72-00-00-01	Integration	ALL	0 to 3
72-15-10-01	Integration	ALL	0 to 7
72-32-10-02	Integration	ALL	0 to 1
72-43-00-01	Integration	ALL	0 to 7

Task Number	Description	Pages to be removed	Pages to be inserted
72-43-00-02	Integration	ALL	0 to 3
72-43-20-01	Integration	ALL	0 to 1
72-43-30-01	Integration	ALL	0 to 7
72-43-30-03	Integration	ALL	0 to 5
72-61-10-01	Integration	ALL	0 to 1
72-61-20-01	Integration	ALL	0 to 3
LAP - 73	Integration	ALL	1 to 2
73-14-00-01	Integration	ALL	0 to 1
73-23-00-01	Integration	ALL	0 to 5
LAP - 77	Integration	ALL	1 to 2
77-11-00-01	Integration	ALL	0 to 1
77-12-00-01	Integration	ALL	0 to 3
LAP - 79	Integration	ALL	1 to 2
79-24-00-01	Integration	ALL	0 to 3

PAGE LEFT BLANK INTENTIONALLY



COMPONENTS FROM AIRCRAFT INVOLVED IN ACCIDENTS

During an aircraft accident, the engine components can be subjected to damage which alters their resistance or performance characteristics. These components must be repaired by an approved entity or discarded.

In no cases, shall these components involved in accidents must be used again as is.

The use of an accidented component can affect the engine operation in flight.

RIGHTS OF USE

The information and data contained in this document, of whatsoever nature, notably intellectual, technical and in particular information that is or can be protected by Intellectual Property rights (such as given in the Intellectual Property Code), including particularly include the information related to know-how, manufacturing secrets, technical information, diagrams and drawings, are the sole property of Safran Helicopter Engines.

The information and data of this document are made available to the user with the sole purpose of allowing engine maintenance (maintenance and repair). The user undertakes not to use, copy, reproduce, duplicate, modify or disclose all or part of the information and data contained in this document for any purpose other than this one without the prior consent of Safran Helicopter Engines.

PAGE LEFT BLANK INTENTIONALLY

LIST OF EFFECTIVE PRELIMINARY PAGES

<u>Title</u>	<u>Pages</u>	<u>Date</u>
TITLE PAGE	* 1	June 15/2023
INFORMATION	1 - 2	Dec. 30/2019
LIST OF EFFECTIVE PRELIMINARY PAGES	* 1 - 2	June 15/2023
NORMAL UPDATE INCORPORATION SHEET	1 - 2	Nov. 30/2016
LIST OF CHAPTERS BY CHAPTER NO.	* 1 - 2	June 15/2023
LIST OF CHAPTERS BY TITLE	* 1 - 2	June 15/2023
LIST OF CHAPTERS BY LOCATION	1 - 6	Nov. 30/2009

* Page modified following update No. 50

PAGE LEFT BLANK INTENTIONALLY

PAGE LEFT BLANK INTENTIONALLY

INDEX OF REPAIR INSTRUCTION ADVANCE COPIES

Bordes, October 13/2023

IPC of <i>TCI de</i>	Document
<i>Arriel 2 B</i>	X 292 M5 600 1/2
<i>Arriel 2 B1</i>	X 292 N5 600 1/2
<i>Arriel 2 B1A</i>	X 292 P4 600 1/2
<i>Arriel 2 C</i>	X 292 M1 600 1/2
<i>Arriel 2 C1</i>	X 292 N4 600 1/2
<i>Arriel 2 C2</i>	X 292 N6 600 1/2
<i>Arriel 2 CPM</i>	X 292 P1 600 1/2
<i>Arriel 2 C2CG</i>	X 292 P8 600 1/2
<i>Arriel 2 D</i>	X 292 R1 600 1/2
<i>Arriel 2 E</i>	X 292 R2 600 1/2
<i>Arriel 2 H</i>	X 292 2H 600 1/2
<i>Arriel 2 N</i>	X 292 N2 600 1/2
<i>Arriel 2 S1</i>	X 292 L0 600 1/2
<i>Arriel 2 S2</i>	X 292 P5 600 1/2

The index below lists the Repair Instruction Advance Copies you can find in above-mentioned manuals. These documents are issued for a given time, pending a temporary or a normal update. They are considered as supplements to normal and temporary revisions listed in your manual.

As these Instructions are available via EngineLife® Customer Portal, we ask you to print copies on green colour sheet to include them in your binders following the requirements of the GRIL 002/06.

WARNING: Check that the Repair Instruction Advance Copies are introduced:

- in the manual(s) referred to in the title of this index,
- in the concerned variants.

Le répertoire, transmis ci-après, liste les prépublications de consignes d'entretien que vous devez trouver dans le(s) manuel(s) cité(s) en objet. Ces documents sont diffusés pour une durée définie, en attente d'une régularisation par une mise à jour normale ou temporaire. Elles viennent en complément des mises à jour normales et temporaires répertoriées dans votre manuel.

Ces informations étant transmises par le portail client EngineLife®, nous vous demandons d'imprimer les copies sur page de couleur verte, et de les intégrer dans les classeurs (se reporter à la LIRG 002/06).

ATTENTION : Vérifier que ces consignes sont introduites :

- dans le(s) manuel(s) référencé(s) en titre de ce document,
- dans la/les variante(s) concernée(s).

Please find hereafter the index identifying the incorporation of the Repair Instruction Advance Copies.

Please contact us, should you require further information.

Yours faithfully,

Operator Support Department
Technical Publication

INDEX OF REPAIR INSTRUCTION ADVANCE COPIES
ENGINE
MOTEUR **ARRIEL 2**
Document **IPC/TCI**

Demand number <i>Numéro RIAC</i>	Technical validation date <i>Date de validation technique</i>	Subject <i>Sujet</i>	To integrate on update number <i>A intégrer à la mise à jour n°</i>	Engine variant(s) applicability <i>Applicabilité variante(s) moteur</i>			
				XXX	XXX	XXX	XXX
AC-23-0019	Oct. 11/2023	FR = Ajout de références pour ens. roue TL, roue et disque TL EN = Addition of PT wheel assy, PT wheel and PT disk reference	FR - 51 EN - 51	S1			
AC-23-0020	Oct. 11/2023	FR = Ajout de références pour ens. roue TL, roue et disque TL EN = Addition of PT wheel assy, PT wheel and PT disk reference	FR - 50 EN - 50	B			
AC-23-0021	Oct. 11/2023	FR = Ajout de références pour ens. roue TL, roue et disque TL EN = Addition of PT wheel assy, PT wheel and PT disk reference	FR - 50 EN - 50	C			
AC-23-0022	Oct. 11/2023	FR = Ajout de références pour ens. roue TL, roue et disque TL EN = Addition of PT wheel assy, PT wheel and PT disk reference	FR - 50 EN - 50	C1			
AC-23-0023	Oct. 11/2023	FR = Ajout de références pour ens. roue TL, roue et disque TL EN = Addition of PT wheel assy, PT wheel and PT disk reference	FR - 49 EN - 49	B1			
AC-23-0024	Oct. 11/2023	FR = Ajout de références pour ens. roue TL, roue et disque TL EN = Addition of PT wheel assy, PT wheel and PT disk reference	FR - 49 EN - 49	C2			

AC-23-0025	Oct. 11/2023	FR = Ajout de références pour ens. roue TL, roue et disque TL EN = Addition of PT wheel assy, PT wheel and PT disk reference	FR - 49 EN - 49	CPM			
AC-23-0026	Oct. 11/2023	FR = Ajout de références pour ens. roue TL, roue et disque TL EN = Addition of PT wheel assy, PT wheel and PT disk reference	FR - 40 EN - 40	S2			
AC-23-0027	Oct. 11/2023	FR = Ajout de références pour ens. roue TL, roue et disque TL EN = Addition of PT wheel assy, PT wheel and PT disk reference	FR - 44 EN - 44	B1A			
AC-23-0028	Oct. 11/2023	FR = Ajout de références pour ens. roue TL, roue et disque TL EN = Addition of PT wheel assy, PT wheel and PT disk reference	FR - 44 EN - 44	C2CG			
AC-23-0029	Oct. 11/2023	FR = Ajout de références pour ens. roue TL, roue et disque TL EN = Addition of PT wheel assy, PT wheel and PT disk reference	FR - 15 EN - 21	E			
AC-23-0030	Oct. 11/2023	FR = Ajout de références pour ens. roue TL, roue et disque TL EN = Addition of PT wheel assy, PT wheel and PT disk reference	FR - 15 EN - 26	D			
AC-23-0031	Oct. 11/2023	FR = Ajout de références pour ens. roue TL, roue et disque TL EN = Addition of PT wheel assy, PT wheel and PT disk reference	FR - 13 EN - 13	N			
AC-23-0032	Oct. 11/2023	FR = Ajout de références pour ens. roue TL, roue et disque TL EN = Addition of PT wheel assy, PT wheel and PT disk reference	FR - 10 EN - 10	H			

REPAIR INSTRUCTION ADVANCE COPY

This page has to be printed on green color paper and inserted into the corresponding publication following the requirements of the GRIL 002/06.

Cette page doit être imprimée sur une page de couleur verte et introduite dans la documentation correspondante suivant les consignes de la LIRG 002/06.



To print same data as screen displayed data, activate "Document and Stamps" option in the Print Setup dialog box. / Pour imprimer les mêmes données que celles affichées à l'écran, activez l'option « Document et commentaires » dans la fenêtre d'impression.

Repair Instruction Advance Copy No.:
AC 23-0022

ENGINE / MOTEUR (TYPE, VARIANT, VERSION) : ARRIEL 2 C1

AFFECTED PUBLICATION / DOCUMENT IMPACTÉ

OVERHAUL/REPAIR MANUAL <i>/ MANUEL DE RÉVISION</i>	<input type="checkbox"/>	ILLUS. PARTS CATALOGUE <i>/ TABLEAU DE COMP. ILLUSTRE</i>	<input checked="" type="checkbox"/>	REPAIR TOOLS CATALOGUE <i>/ CAT. OUTILLAGES DE REPARATION</i>	<input type="checkbox"/>
---	--------------------------	--	-------------------------------------	--	--------------------------

COMPONENT MAINTENANCE MANUAL <i>/ MANUEL D'ENTRETIEN EQUIPEMENT</i>	<input type="checkbox"/>	ACMMB / RMMEA	<input type="checkbox"/>	CTB / RTC	<input type="checkbox"/>
--	--------------------------	---------------	--------------------------	-----------	--------------------------

PUBLICATION IDENTIFICATION NUMBER : <i>/ REFERENCE DU DOCUMENT</i>	X 292 N4 600 2	Rev. Nbr:	50
---	----------------	-----------	----

N° CHAPTER SECTION / SUBJECT TASK N°	PAGE		UPDATE CONTENT / CONTENU DE LA MISE A JOUR
	N°	DATE	
72-54-00-01	1	Nov. 30/2016	APPENDIX 1 : Addition of PT wheel assy reference
72-54-10-01	1	June 15/2022	APPENDIX 2 : Addition of PT wheel assy, PT wheel and PT disk reference
Total Number of Annexes : 2 APPENDIX 1 : 2 pages APPENDIX 2 : 2 pages			

APPLICABILITY DURATION:	Will be taken into account in the revision No:	51
<i>/ DUREE D'APPLICATION :</i>	<i>/ Sera pris en compte dans la mise à jour n° :</i>	

LIST OF CHAPTERS BY CHAPTER NO.

NOTE: Each chapter begins with a list of effective pages.

Chapter No.	Title	Date	Update No.
00	INTRODUCTION	June 15/2023	50
26	FIRE PROTECTION	June 30/2018	40
71	POWER PLANT	Dec. 30/2021	47
72	ENGINE	June 15/2023	50
73	FUEL	June 15/2023	50
74	IGNITION	June 15/2019	42
75	AIR	Dec. 30/2021	47
77	ENGINE INDICATING	June 15/2023	50
79	OIL	June 15/2023	50

PAGE LEFT BLANK INTENTIONALLY

LIST OF CHAPTERS BY TITLE

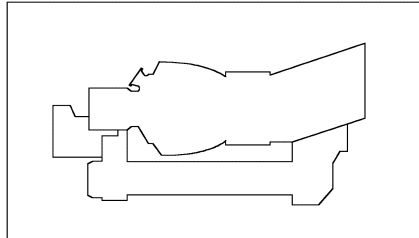
NOTE: Each chapter begins with a list of effective pages.

Title	Chapter Section Subject
ARRIEL 2C1,EQUIPPED	71-00-00
BASE PLATE ASSY,FILTER	72-61-40
BEARING ASSY,POWER TURBINE	72-54-20
BLEED VALVE	75-31-00
BOX,IGNITION	74-11-10
CABLES,IGNITION	74-24-10
CASING ASSY,EQUIPPED	72-32-10
CASING ASSY,FRONT,EQUIPPED	72-15-30
CASING ASSY,REAR,EQUIPPED	72-15-20
CASINGS,ASSEMBLED	72-61-50
DETECTORS,FIRE	26-11-00
DIFFUSER ASSY,DRESSED	72-43-20
ELECTRIC HARNESSSES	71-51-00
ENGINE,UNDRESSED	72-00-00
GEARS	72-61-30
GEARS ASSY	72-15-10
HARNESS,PYROMETRIC	77-21-00
HOISTING,ATTACHING	71-21-00
HP NGV-ROTATING ASSY	72-43-30
KIT, BLANKS	71-91-00
MODULE,ACCESSORY GEARBOX	72-61-00
MODULE,COMPRESSOR	72-32-00
MODULE,GAS GENERATOR	72-43-00
MODULE,POWER TURBINE	72-54-00
MODULE,REDUCTION GEAR	72-15-00
OIL PUMP	79-24-00
OUTER PART,COMB. CHAMBER	72-43-40
PIPE,EXHAUST	72-70-00
PIPES,AIR	75-29-00
PIPES,DRAIN	71-71-00
PIPES,FUEL	73-19-00
PIPES,OIL	79-29-00
PLUGS,ELECTRIC MAGNETIC	79-38-00

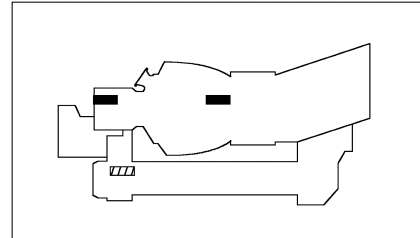
<i>Title</i>	<i>Chapter Section Subject</i>
POWER SHAFT	72-61-20
PROTECTION,FIRE	26-00-00
PUMP AND METERING VALVE ASSY,ADJUSTED	73-23-00
REAR BEARING ASSY,DRESSED	72-43-10
SENSOR,N1	77-11-00
SENSOR,N2	77-12-00
SUPPORTS	71-41-00
SWITCH,LOW OIL PRESSURE	79-31-00
SYSTEM,AIR	75-00-00
SYSTEM,ENGINE INDICATING	77-00-00
SYSTEM,FUEL	73-00-00
SYSTEM,GENERAL	71-01-00
SYSTEM,IGNITION	74-00-00
SYSTEM,OIL	79-00-00
TRANSMITTER,P3 PRESSURE	75-41-00
TUBE,JUNCTION	72-61-10
VALVE ASSY	79-25-00
VALVE ASSY,ADJUSTED	73-14-00
WHEEL ASSY,POWER TURBINE	72-54-10

LIST OF CHAPTERS BY LOCATION

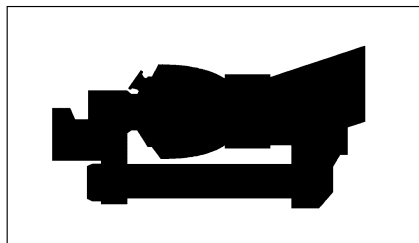
NOTE: Each chapter begins with a list of effective pages.



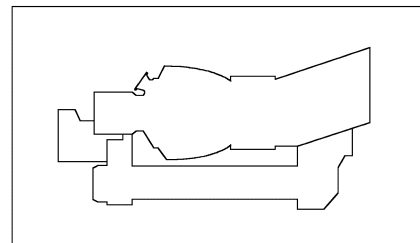
PROTECTION, FIRE 26-00-00



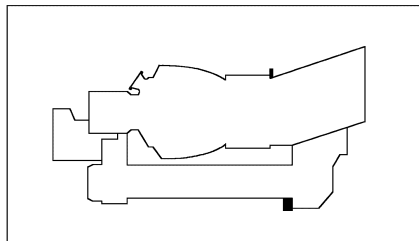
DETECTOR, FIRE 26-11-00



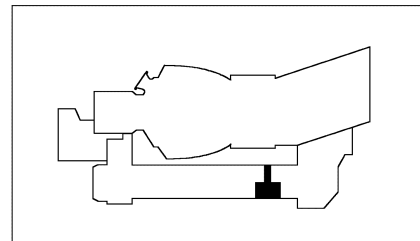
TURBOSHAFT ENGINE 71-00-00



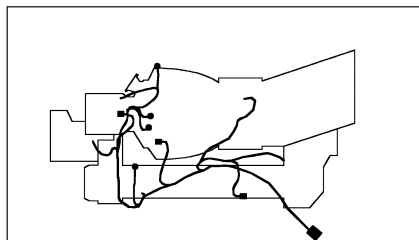
SYSTEM, GENERAL 71-01-00



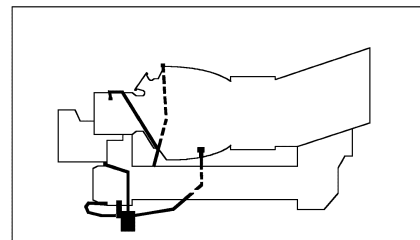
HOISTING - ATTACHING 71-21-00



SUPPORTS 71-41-00



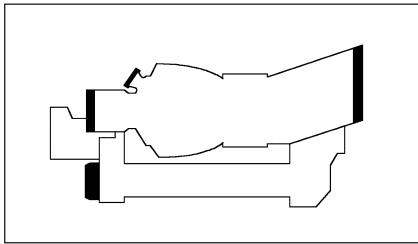
HARNESSES 71-51-00



DRAINING 71-71-00

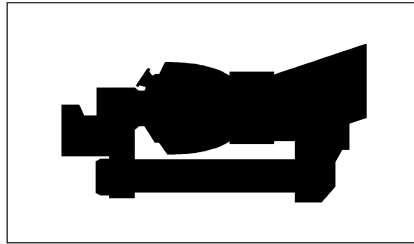
TURBOMECA ARRIEL 2 C1

ILLUSTRATED PARTS CATALOG



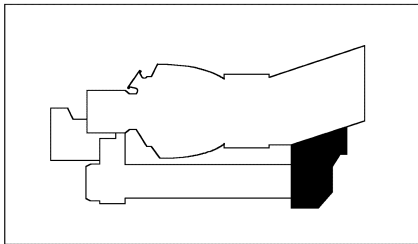
BLANKS

71-91-00



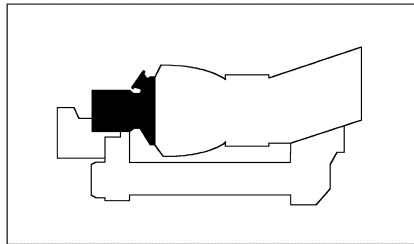
ENGINE, UNDRESSED

72-00-00



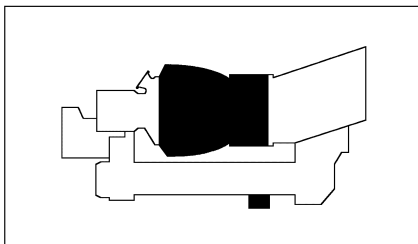
MODULE,
REDUCTION GEAR

72-15-00



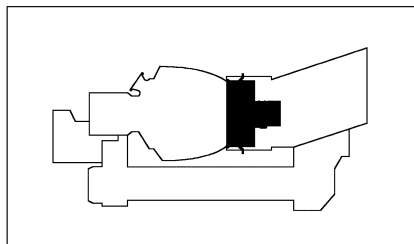
MODULE, COMPRESSOR

72-32-00



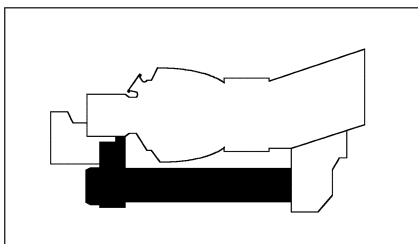
MODULE,
GAS GENERATOR

72-43-00



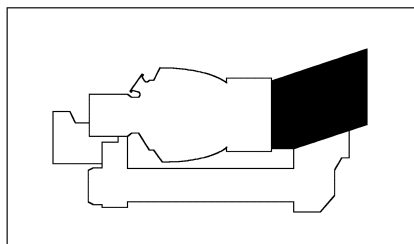
MODULE,
POWER TURBINE

72-54-00



ACCESS. GEARBOX

72-61-00

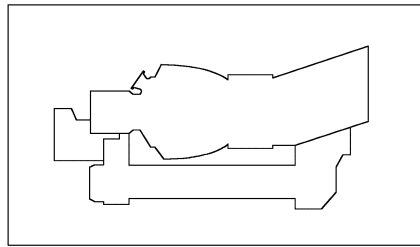


PIPE, EXHAUST

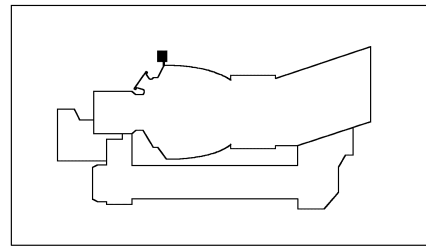
72-70-00

TURBOMECA ARRIEL 2 C1

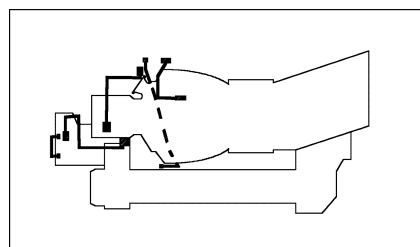
ILLUSTRATED PARTS CATALOG



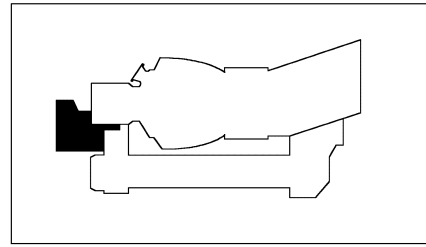
SYSTEM, FUEL 73-00-00



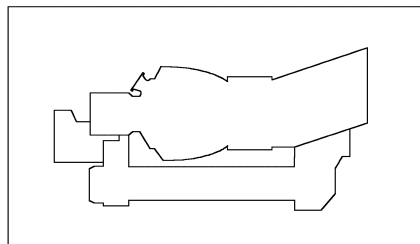
VALVE ASSY,
ADJUSTED 73-14-00



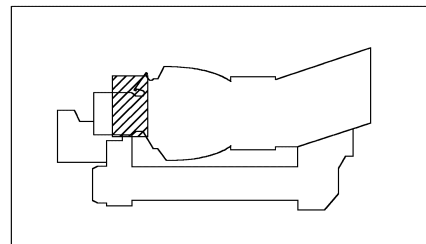
PIPES, FUEL 73-19-00



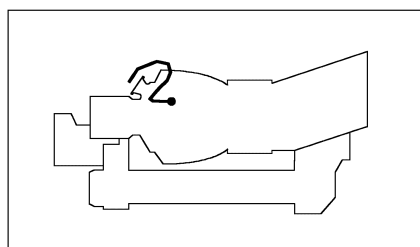
PUMP AND METER.
UNIT ASSY 73-23-00



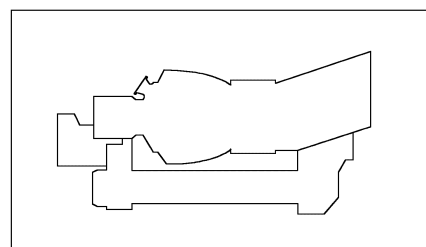
SYSTEM, IGNITION 74-00-00



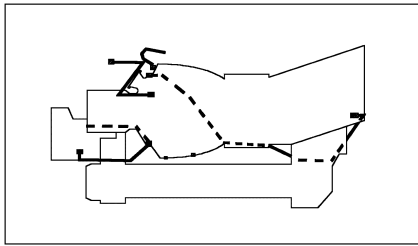
BOX, IGNITION 74-11-10



CABLES, IGNITION 73-24-10

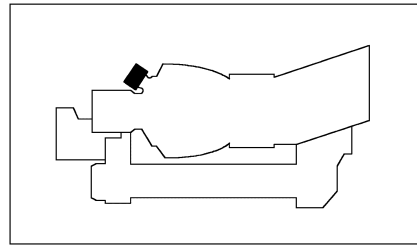


SYSTEM, AIR 75-00-00



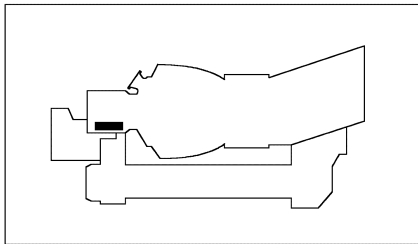
PIPES, AIR

75-29-00



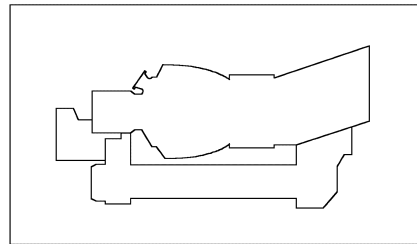
BLEED VALVE

75-31-00



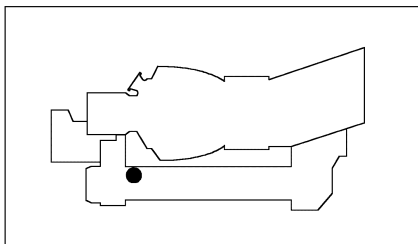
TRANSMITTER P3

75-41-00



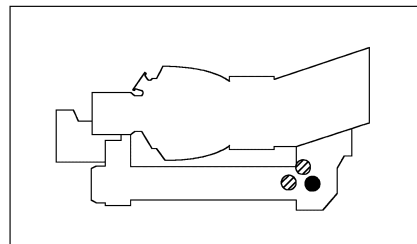
ENGINE CONTROL

77-00-00



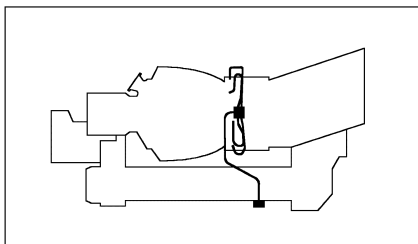
SENSOR,
N1 SPEED

77-11-00



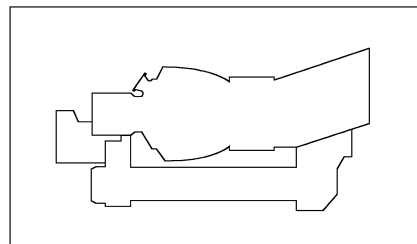
SENSOR,
N2 SPEED

77-12-00



HARNES PYROMETRIC

77-21-00

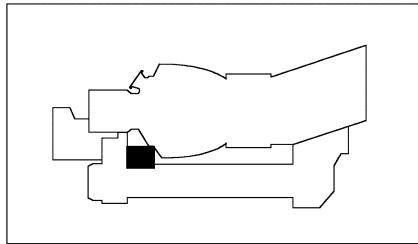


SYSTEM, OIL

79-00-00

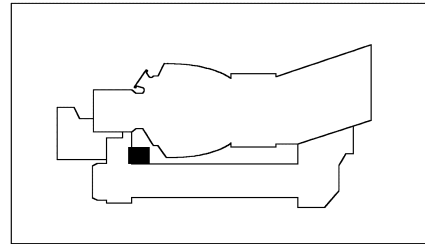
TURBOMECA ARRIEL 2 C1

ILLUSTRATED PARTS CATALOG



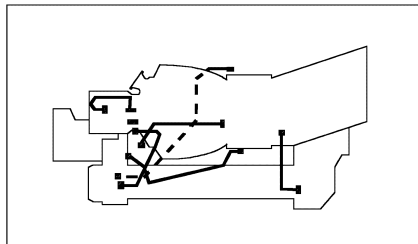
PUMP, OIL

79-24-00



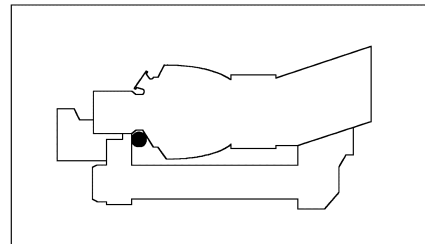
VALVE ASSY

79-25-00



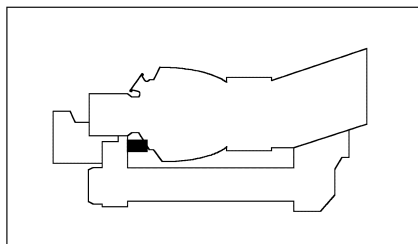
PIPES, OIL

79-29-00



SWITCH,
LOW OIL PRESSURE

79-31-00



PLUGS,
MAGNETIC, ELECT.

79-38-00

PAGE LEFT BLANK INTENTIONALLY

CHAPTER 00 - LIST OF EFFECTIVE PAGES

<u>Chapter Section Subject</u>	<u>Title</u>	<u>Pages</u>	<u>Date</u>
00	LIST OF EFFECTIVE PAGES	* 1 - 2	June 15/2023
00	TABLE OF CONTENTS	1 - 2	Nov. 30/2009
00-00-00	INTRODUCTION	1 - 2	June 15/2019
00-00-11	ILLUSTRATED PARTS CATALOG USER GUIDE	1 - 14	Dec. 30/2018
00-00-13	LIST OF ADDITIONAL DOCUMENTATION	1 - 2	Nov. 30/2016
00-00-40	NUMERICAL INDEX OF SAFRAN HELICOPTER ENGINES PART NUMBERS	* 1 - 28	June 15/2023
00-00-41	ALPHANUMERICAL INDEX OF MANUFACTURER PART NUMBERS	* 1 - 12	June 15/2023
00-00-42	NUMERICAL INDEX OF NATO PART NUMBERS	* 1 - 20	June 15/2023
00-00-43	LIST OF MANUFACTURER CODES	* 1 - 4	June 15/2023

* Page modified following update No. 50

PAGE LEFT BLANK INTENTIONALLY

CHAPTER 00 - TABLE OF CONTENTS

<u>Subject</u>	<u>Chapter Section Subject</u>	<u>Page</u>
INTRODUCTION	00-00-00	1
ILLUSTRATED PARTS CATALOG USER GUIDE	00-00-11	1
LIST OF ADDITIONAL DOCUMENTATION	00-00-13	1
NUMERICAL INDEX OF TURBOMECA PART NUMBERS	00-00-40	1
ALPHANUMERICAL INDEX OF MANUFACTURER PART NUMBERS	00-00-41	1
NUMERICAL INDEX OF NATO PART NUMBERS	00-00-42	1
LIST OF MANUFACTURER CODES	00-00-43	1

PAGE LEFT BLANK INTENTIONALLY

INTRODUCTION

1. GENERAL

CAUTION: THE INFORMATION IN THIS MANUAL IS SAFRAN HELICOPTER ENGINES PROPERTY. IT SHALL NOT BE COMMUNICATED TO A THIRD PARTY, NOR SHALL IT BE USED FOR ANY OTHER PURPOSES WITHOUT SAFRAN HELICOPTER ENGINES PRIOR WRITTEN AUTHORIZATION.

This document complements the Overhaul Manual.

The writing of this document obeys the directives of "ATA Specification No. 100" Revision No. 35.

The purpose of the Illustrated Parts Catalog is to locate and identify the equipment/accessories and parts which are liable to be replaced by repairers.

The document can be divided into different chapters, example:

Chapter 00	Introduction
Chapter 26	Fire protection
Chapter 71	Power plant
Chapter 72	Engine
Chapter 73	Fuel
Chapter 74	Ignition
Chapter 75	Air
Chapter 77	Engine indicating
Chapter 78	Exhaust
Chapter 79	Lubrication
Chapter 80	Starting

A chapter deals with a system.

A system is an assembly of some related components, which are connected for a specified function.

The chapters are divided into sections which show the breakdown of a system into sub-systems.

A section is subdivided into subjects which are the equipment of the system or of the sub-system.

Each chapter begins with a List of Effective Pages (LEP) followed by a Table of Contents.

The following are indicated at the bottom of the list of effective pages:

- the number of the chapter to which it belongs,
- a page number,
- a date of effectivity, either the date of the first issue, or the date of the last update,

2. UPDATE OF ILLUSTRATED PARTS CATALOG

The Illustrated Parts Catalog is updated by normal updates.

Normal updates are distributed periodically and are printed on white paper.

A Normal Update Incorporation Sheet allows for better follow-up of these updates.

In the paper version or in PDF version, text and illustrations which have been modified are indicated by a line drawn in the left-hand margin.

In the electronic version (IETP), the text which has been modified appears on a blue-grey background. The illustrations which have been modified are indicated by a letter R that appears in front of the illustration title (left low part of the consultation screen).

PAGE LEFT BLANK INTENTIONALLY

ILLUSTRATED PARTS CATALOG USER GUIDE

1. USE OF THE ILLUSTRATED PARTS CATALOG

The Illustrated Parts Catalog allows parts to be identified in several ways.

A. By the function of the part

Refer to the list of chapters (breakdown of the Illustrated Parts Catalog) to determine the sub-assembly to which the part concerned belongs.

B. By visualizing the part without knowing its part number

According to the shape of the component, refer to the illustrated figures which cross-refer to the corresponding parts list.

C. By the part number

Refer to:

- (1) The numerical index of Safran Helicopter Engines part numbers, which specifies:
 - The NATO code number and the Manufacturer part number when the article is not manufactured by Safran Helicopter Engines
 - The NATO part number
 - The chapter, section, subject, figure, item number and quantity.
- (2) The alphanumerical index of Manufacturer part numbers, which specifies:
 - The Manufacturer NATO code number and the Safran Helicopter Engines part number
 - the NATO part number
 - the chapter, section, subject, figure, item number and quantity.
- (3) The numerical index of NATO part numbers, which specifies:
 - The Safran Helicopter Engines part number
 - The NATO code number and the Manufacturer part number when the article is not manufactured by Safran Helicopter Engines
 - the chapter, section, subject, figure, item number and quantity.

2. LIST OF SPARE PARTS**A. Breakdown**

The Illustrated Parts Catalog is divided into chapters, sections and subjects (identified by three sets of two digits separated with a dash), each of which contains a certain number of figures.

E.g.: 26-11-00

- 26: Chapter
- 11: Section
- 00: Subject

The figures are always printed on the reverse side of the sheets and the corresponding parts list in front of the following sheet.

Each chapter begins with:

- a list of effective pages,
- a table of contents,
- a section title page.

B. Lists of Chapters

Refer to the detailed lists of chapters in the preliminary pages.

C. Layout of the parts list

Refer to Figure 1

The different columns of a parts list are in the following order:

1st column	Figure number and item number
2nd column	Part number
3rd column	Airline Stock Number (not used)
4th column	Description
5th column	Effectivity
6th column	Quantity per assembly

(1) Figure number and item number

Each illustration is given a figure number starting at 01 and increasing in chronological order.

Each illustration can be divided into several sheets.

When it is necessary to insert additional figures, alphabetical indices from A to Z (excluding I and O) are added to the original illustration.

An item number is allocated to all parts appearing in the detailed parts list. The numbers start from 001 and increase to 999 in sequences of ten or in other sequences (the sequence chosen is at the discretion of the author according to the complexity of the assembly) to allow additional items to be inserted.

Alternative parts have the same item number as the initial part and are given an index.

To follow changes in the modification standard of parts or assemblies, items are given an index from A to Z (excluding I and O).

Items which are not illustrated are identified by a dash in front of the item number.

(2) Part Number

This column contains the original Manufacturer part number for the part.

All parts that have not been designed by Safran Helicopter Engines are assigned an equivalent part number which is indicated in the description column (4).

If the Manufacturer part number is made up of more than 15 characters, the equivalent Safran Helicopter Engines part number appears in this column. In this case, the Manufacturer code and part number are placed after the description of the item.

This codification, which is associated with the data in the effectivity column (see para. 2.C. 5), makes it possible to know the basic parts of the assembly identified in Figure 01 - Item Number 001, or to know which assembly the basic parts belong to (Figure 01 - Item Number 001).

(3) Airline Stock Number

Not used.

(4) Description

This column gives the description of each item and shows the relationship between the different elements.

The descriptions of the components making up an assembly are indented one tab to the right in relation to the position of the description of the assembly concerned (see diagram below).

GENERAL ASSEMBLY

. Parts making up the general assembly

. Assembly

. Assembly attaching parts

* * *

.. Parts making up the assembly

.. Sub-assembly

.. Sub-assembly attaching parts

* * *

... Parts making up the sub-assembly

... Subdivision of the sub-assembly

... Attaching parts of the subdivision of the sub-assembly

* * *

.... Basic parts

The description of the item may be followed by:

- the NATO Manufacturer code (see list 00-00-43). If the code is not known, a temporary code ending in the letter "T" is allocated,
- The equivalent Safran Helicopter Engines part number in brackets, if the article was not designed by Safran Helicopter Engines
- a cross-reference indicating the chapter numbers, figures, item numbers where this same item is illustrated,
- any alternative,
- the modification standard,
- An information to display dependencies with other parts: PART OF ITEM(S) comment or USE WITH ITEM(S) comment. USE WITH ITEM(S). Refer to "Part dependencies" in paragraph 2.D.
- The indication "NON PROCURABLE" which means that this part number cannot be procured for the variant concerned. The use of the remaining stock for this part is authorized
- The indication "NOT APPLICABLE" replaces the description and means that the item does not concern the engine variant of the catalog. This item can be applicable to other engine variants, according to the indications of the catalogue concerned.

In both cases, the indication DELETED replaces the description:

- Indication DELETED and part number displayed in the "PART NUMBER" column: means that the stocks for this part number must no longer be used for the variant concerned. The P/N installed on the engine can still be used as long as a maintenance action (SB, Noria, etc.) does not cause its replacement. (Refer to Figure 2)
- Indication DELETED and if no part number is displayed in the "PART NUMBER" column: means that the part concerned has never been installed. It is a correction of an error in the catalogs. This indication is only displayed in the issue on which the error was corrected and will no longer be displayed on the next issue (Refer to Figure 2).

(5) Effectivity

The interchangeability of parts in relation to the main assembly is identified by lower case letters. Refer to "Part dependencies" in paragraph 2.D.

The list of lower case letters that identify higher assemblies are all enumerated.

However, when this list includes numbers of letters, ".." abbreviation is used:

- "a..z" means all letters between "a" and "z";
- "aa..az" means all letters between "aa" and "az", etc.

This code is only valid for the assembly dealt with in the corresponding figure.

(6) Quantity

This column indicates the quantity of parts required per assembly.

The quantity of items described by the indication "ATTACHING PARTS" is given for one attached assembly.

If the same assembly or the same part appears in several figures, the quantity is only given in the first parts list. "RF" ("for reference") is indicated in subsequent parts lists.

For an element whose quantity is to be established as required (e.g.: Section cut lengthwise, etc.), the quantity is replaced by the indication "AR" ("as required").

FIGURE ITEM	PART NUMBER	AIRL. STOCK No.	DESCRIPTION	EFFECT	QTY
01 -001	5971210000		INSTALLATION OF HOISTING - ATTACHEMENT POINTS REFER TO CHAP.71-04-00 FIG.01 ITEM -010		RF
2-C-1 030	MH951-100-100		BALL JOINT - VF92111 (9560126240)	a	2
050	0301527030		FRONT STAND ASSY PRE TU 082 (AE 37335)	b	1
2-C-4 -050A	0301537770		FRONT STAND ASSY POST TU 082 (AE 37335)	c	1
2-C-4 -050B	0301547170		PRE ACR (AE 40126) FRONT STAND ASSY POST ACR (AE 40126)	d	1
2-C-4 -050C	0301547510		PRE ACR (AE 42653) FRONT STAND ASSY POST ACR (AE 40653)		1
052	22145CM050018E		ATTACHING PARTS SCREW - VF0111 (9806051825)	a	2
2-C-2 054	9740050022		PRE TU 082 (AE 37335) WASHER	a	2
2-C-4 -056	9866050026		PRE TU 082 (AE 37335) NUT	a	2
2-C-4 -056A	9866205026		PRE ACR (AE 33850) NUT 9866205026 IS THE TURBOMECA PART NUMBER FOR: VF0111 - 22526-050 V16005 - EN2906-050 POST ACR (AE 33850)	a	2
2-C-4 -058	221258C050016L		PRE TU 082 (AE 37335) SCREW - VF0111 (9801051614) POST TU 082 (AE 37335)	b,c,d	6
2-C-4 -058A	22145CM050018E		PRE TU 082 (AE 37335 AVT 6) SCREW - VF0111 (9806051625) POST TU 082 (AE 37335 AVT 6)	b,c,d	6
2-C-4 058B	22145CM050018E		PRE TU 107 (AE 39166) SCREW - VF0111 (9806051625) POST TU 107 (AE 39166)	b,c,d	4
2-C-4 -100	0301510540		FITTING		2
100A	0301520820		PRE TU 024 (AE 34281) FITTING POST TU 024 (AE 34281)		2
2-C-4 102	0000023840		ATTACHING PARTS SCREW		7
104	22236CM070038F		SCREW - VF0111 (9826070385)		2
106	9904070024		WASHER		7
2-C-4 -108	9866070026		NUT		9

- ITEM NOT ILLUSTRATED

The information in this manual is subject to the warning given on the information page.

72-11-00

Fig. 01 Page 1
31 Dec. 2006

Figure 1

FIGURE ITEM	PART NUMBER	AIRL. STOCK No.	DESCRIPTION							EFFECT	QTY
			1	2	3	4	5	6	7		
01											
100	0319738340								. HALF-MANIFOLD,LEFT-HAND,FUEL,ASSY REPAIRABLE PRE TF 083 (AE 90584)		1
2-C-4 -100A	0319730420								. HALF-MANIFOLD,LEFT-HAND,FUEL,ASSY POST TF 083 (AE 90584) REFER TO CMM 73-15-01 FOR DETAILS		1
I 110									DELETED		
120	46012A00710								. PARKING,PREFORMED - VF0111 (9794410071)		1
130	0319731190								. SEAL NON PROCURABLE PRE TF85 (AE 94983)		9
-130A	0319730680								. SEAL POST TF85 (AE 94983)		9
150	EN3686050020								. SCREW - VI9005 (9836405020)		2
2-C-4 152	9866205026								. NUT 9866205026 IS THE TURBOMECA PART NUMBER FOR: VF0111 - 22526-050 VI9005 - EN2906-050		2
I 180	0319738350								DELETED		
-180A	0319730440								. PIPE,INJECTOR,PREFERRED,ASSY ALTERNATE ITEM 180		1
-180B	0319730440								. PIPE,INJECTOR,PREFERRED,ASSY POST TF 083 (AE 90584) REFER TO CMM 73-15-01 FOR DETAILS		1
182	880060-70								. . CIRCLIP - VF0349 (9560142690)		1
184	0319307380								. . FILTER ASSY		1

Figure 2

D. Part dependencies

Dependencies are used to define which parts only fit with others.

There are three ways to define part dependencies according to the Bill of Material level of the implied parts.

- (1) Lower characters used in the Effectivity column

Used only for item 001 of a given figure.

For Item 001: for each index, a lower character is set in the Effectivity column ("a" for 001 blank, "b" for 001A, "c" for 001B, etc.).

For components of Item 001: read the corresponding lower character(s) in Effectivity column and find the corresponding higher assembly to identify the part dependencies.

Refer to Figure 3

FIGURE ITEM	PART NUMBER	AIRL. STOCK No.	DESCRIPTION	EFFECT	QTY
01		1234567			
-001	0319107610		CASING FRONT REDUCTION GEAR PRE TU 14 (AE 39704)	a	RF
-001A	0319108040		CASING FRONT REDUCTION GEAR POST TU 14 (AE 39704)	b	RF
-001B	0319108220		PRE TU 38 (AE 40615) CASING FRONT REDUCTION GEAR POST TU 38 (AE 40615)	c	RF
-001C	0319108510		PRE ACR (AE 43521) CASING FRONT REDUCTION GEAR POST ACR (AE 43521)	d	RF
-001D	0319108540		PRE TU 74A (AE43676) POST TU 88A (AE 45085) BECOMES ITEM 001G	e	RF
-001E	0319108760		CASING FRONT REDUCTION GEAR POST TU 74A (AE 43676)	f	RF
-001F	0319108970		PRE TU 88A (AE 45085) POST TU 88A (AE 45085) BECOMES ITEM 001F	g	RF
-001G	731910851A		CASING FRONT REDUCTION GEAR POST TU 88A (AE 45085)	h	RF
020	SME081CM08-2296		RETROFIT ITEM 001C		4
030	SME071CM07-2085		REFER TO CHAP. 72-11-00 FIG.02 ITEM 180		5
-040	2319101440		. STUD-V83324 (9560142890) . STUD-V83324 (9560142630) . SHRUNK	a.b.c.d	1
040A	2319102720		PRE TU 74A (AE 43676) SHRUNK POST TU 74A (AE 43676)	e.f.g.h	1

In this example, item 040 can be only used with items 001, 001A, 001B and 001C.
It means component number 2319101440 can be only used with assembly number 0319107610, 0319108040, 0319108220 or 0319108510.

Effectivity example

Figure 3

(2) Comment "PART OF ITEM(S)"

Case of dependencies between item assembly, with an item number different of 001, and its direct components.

Usage:

PART OF ITEM(S) comment is located in Description column or Effectivity column.

PART OF ITEM(S) comment is followed by item number index list.

This comment means the Item component can only be used with listed Item(s) assembly.

Refer to Figure 4

FIGURE ITEM	PART NUMBER	AIRL. STOCK No.	DESCRIPTION	EFFECT	QTY
01			1234567		
230	800A14SP		.SEAL ASSY SEALOL - VF0562 (9561336414) PRE TU 06 (AE 38998)		1
230A	950693		.SEAL ASSY SEALOL - VF0562 (9561336414) POST TU 06 (AE 38998)		1
230B	71075-1		.MAGNETIC SEAL - V04171 (9560115450)		1
240	380047KA		ALTERNATE ITEM 230 .PACKING, PREFORMED - VF0235 (9520010895) PART OF ITEMS 230 230A		1

USE ONLY WITH



In this example, item 240 can be only used with items 230 and 230A.
It means component number 380047KA can be only used with assembly number 800A14SP or 950693.

PART OF ITEM(S) example

Figure 4

(3) Comment "USE WITH ITEM(S)"

Case of dependencies between 2 items at the same level in Bill of Material.

Dependent items can be located on the same figure or in different figures.

Usage:

USE WITH ITEM(S) comment is located in Description column or Effectivity column.

USE WITH ITEM(S) comment is followed by item number index list.

This comment means the Item can only be used with listed item(s).

Refer to Figure 5

FIGURE ITEM	PART NUMBER	AIRL. STOCK No.	DESCRIPTION	EFFECT	QTY
		1234567			
-060	9609000383		BEARING 9609000383 IS THE TURBOMECA PART NUMBER FOR: VF0771 - SNUL25/20RH35A- PRE TU 76 (AE 43155)		1
060A	9609000411		BEARING 9609000411 IS THE TURBOMECA PART NUMBER FOR: VF0771 - SNUL25/20RH35A-S/BI POST TU 76 (AE 43155) USE WITH ITEMS 070 070A 070B		1
-060B	9609000588		BEARING DELTA DIMENSION 9609000588 IS THE TURBOMECA PART NUMBER FOR: VF0771 - SNUL25/2301-05RH35A-S/BI POST ACR (AE 88845) USE WITH ITEMS 070C 070AD 070E		1
-065	960000383		BEARING 9609000383 IS THE TURBOMECA PART NUMBER FOR: VF0771 - SNUL25/20-05RH35A- PRE TU 76 (AE 43155)		1
065A	9609000411		BEARING 9609000411 IS THE TURBOMECA PART NUMBER FOR: VF0771 - SNUL25/20RH35A-S/BI POST TU 76 (AE 43155)		1
-065B	9609000588		BEARING DELTA DIMENSION 9609000588 IS THE TURBOMECA PART NUMBER FOR: VF0771 - SNUL25/2301-05RH35A-S/BI POST ACR (AE 88845) USE WITH ITEMS 070C 070AD 070E		1
-070	0319107740		GEAR DRIVING ASSY PRE ACR (AE 38416) POST ACR (AE 88845) BECOMES ITEM 070C		1
-070A	0319107970		GEAR DRIVING ASSY POST ACR (AE 38416) PRE ACR (AE 39462) POST ACR (AE 88845) BECOMES ITEM 070D		1
070B	0319108190		GEAR DRIVING ASSY POST ACR (AE 39462) POST ACR (AE 88845) BECOMES ITEM 070E		1

USE ONLY WITH

In this example, item 060A can be only used with items 070, 070A and 070B.
It means component number 9609000411 can be only used with number 0319107740, 0319107970 or 0319108190.

USE WITH ITEM(S) example

Figure 5

3. PAGE NUMBERING

In each identified chapter (see List of chapters), the pages are numbered in relation to the figure number:

Eg.:

26-11-00 Chapter - Section - Subject

Fig 01 Figure No.

Page 0 Page number
 0) always corresponds to the illustration
 1)
 2) corresponds to the parts list pages
 3)
 etc.

4. UPDATE

In the paper version or in PDF version, text and illustrations which have been modified are indicated by a line drawn in the left-hand margin.

In the electronic version (IETP), the text which has been modified appears on a blue-grey background. The illustrations which have been modified are indicated by a letter R that appears in front of the illustration title (left low part of the consultation screen).

5. LIST OF ABBREVIATIONS

ACR	AMENDMENT WITH CHANGE OF PART NUMBER
AE	CHANGE ADVICE
AR	AS REQUIRED
ASSY	ASSEMBLY
AVT	AMENDMENT
CHAP.	CHAPTER
CMM	COMPONENT MAINTENANCE MANUAL
EFFECT.	EFFECTIVITY
FIG.	FIGURE
HE	HIGH ENERGY
HP	HIGH PRESSURE
INST.	INSTALLATION
I.P.C.	ILLUSTRATED PARTS CATALOG
LEP	LIST OF EFFECTIVE PAGES
LP	LOW PRESSURE
No.	NUMBER
P/N.	PART NUMBER
PT	POWER TURBINE
QTY	QUANTITY
RF	FOR REFERENCE
SB	SERVICE BULLETIN
TOC	TABLE OF CONTENTS
TU	IDENTIFIES A SAFRAN HELICOPTER ENGINES MODIFICATION (e.g.: TU 010A)

PAGE LEFT BLANK INTENTIONALLY

PAGE LEFT BLANK INTENTIONALLY

SAFRAN HELICOPTER ENGINES

ARRIEL 2 C1

ILLUSTRATED PARTS CATALOG

NUMERICAL INDEX OF SAFRAN HELICOPTER ENGINES PART NUMBERS

SAFRAN HELICOPTER ENGINES P/N	MANUFACTURER		NATO P/N	AIRLINE STOCK No.	CHAP. SECTION SUBJECT	FIG.	ITEM	QTY
	CODE	P/N						
0000022670			5307143950413		72-43-00	01	090	1
0000022670			5307143950413		72-43-00	01	090A	2
0000023950			5307144002456		72-15-00	01	170	1
0000024460			5305144095079		72-43-00	01	350	1
0000025380			5305145780908		72-00-00	01	120	2
0000025590			5306144677610		79-24-00	01	012	3
0000025820			5306144493025		79-24-00	01	102	2
0000025840			5307144979056		72-15-00	02	090	4
0000025840			5307144979056		72-61-30	01	160	1
0000025960			5306145293361		73-14-00	01	013	3
0000026530			5307145757932		72-61-10	01	015	1
0000026870			5305145780910		72-00-00	01	110	2
0000051520			5310144979057		72-43-40	01	010	20
0000080710			5310144886997		72-00-00	01	210A	1
0000080910			5310144886997		72-00-00	01	210	1
0000110170					72-43-10	01	056	5
0000130830			5325145229689		79-29-00	01	105B	1
0000130950			5365145229691		79-29-00	01	105	AD
0000130960			5365145229692		79-29-00	01	105A	1
0000190050	VF1699	01329144001	5325145998432		79-29-00	01	112A	1
0000190420	VF1699	01325164009	4730145229693		79-29-00	01	112	1
0000230850			5330143790851		72-43-00	01	480	AR
0000230850			5330143790851		72-43-00	01	500	AR
0000230850			5330143790851		72-43-00	01	560	2
0000230850			5330143790851		72-43-00	01	580	AR
0000230850			5330143790851		72-43-00	01	600	AR
0000230870			5330143785655		72-43-00	01	482	AR
0000230870			5330143785655		72-43-00	01	502	AR
0000230870			5330143785655		72-43-00	01	562	2
0000230870			5330143785655		72-43-00	01	582	AR
0000230870			5330143785655		72-43-00	01	602	AR
0000260060			4730145823569		79-29-00	01	110A	1
0000267000			4730145229694		79-29-00	01	110	1
0000410170			5365144435924		72-15-00	01	180	1
0000411870			5310145488801		72-61-00	01	656	1
0000412530			5310145404601		79-24-00	01	014	1
0000412530			5310145404601		79-24-00	01	016	1
0000412530			5310145404601		79-24-00	01	018	1
0000420170					72-54-20	01	230	2
0000420190					72-54-20	01	230A	2
0000420230					72-54-20	01	230B	2
0000450490			5310143830580		72-43-00	01	490	AR
0000450490			5310143830580		72-43-00	01	590	AR
0000450500			5365140323863		72-43-00	01	492	AR
0000450500			5365140323863		72-43-00	01	592	AR
0000840070					72-32-00	01	200	1
0000840220					72-54-20	01	406	1
0000840220					72-61-10	01	024	1
0000840220					72-61-50	01	120	1
0000840230					72-54-20	01	350	1
0000840230					72-61-00	02	350	1
0000840440					72-54-20	01	350A	1

SAFRAN HELICOPTER ENGINES

ARRIEL 2 C1

ILLUSTRATED PARTS CATALOG

SAFRAN HELICOPTER ENGINES P/N	MANUFACTURER		NATO P/N	AIRLINE STOCK No.	CHAP. SECTION SUBJECT	FIG.	ITEM	QTY
	CODE	P/N						
0000840460					72-32-00	01	200B	1
0000840720			1680146030017		72-15-00	02	120A	1
0000840720			1680146030017		72-32-00	01	200C	1
0039651140			2915142951529		72-61-40	01	080	1
0084003850			9905145557133		72-15-00	02	120	1
0084003850			9905145557133		72-32-00	01	200A	1
0084004510			5342144364421		72-43-00	03	050	1
0084004520			5340145558181		72-15-30	02	100	1
0084004520			5340145558181		72-32-10	02	040	1
0084004530			5340145534442		72-61-10	01	023	1
0084004550			9905145557130		72-43-00	02	360	1
0084117100			6150144002471		71-21-00	01	100	1
0084117120			6150144002472		72-61-00	01	060	1
0084117300			6150145780996		71-51-00	01	150A	1
0177987030			5998145209136		72-61-20	01	280	1
0177987070			5930145674515		72-61-20	01	280A	1
0177987140			2925145889667		72-61-20	01	280B	1
0177987140			2925145889667		72-61-20	01	280C	1
0235341360			5340145468462		71-51-00	01	050	1
0268980110			5340143122869		72-61-00	01	256	2
0268980110			5340143122869		73-23-00	01	026	2
0268987050			5340143122870		72-61-00	01	250	1
0268987050			5340143122870		73-23-00	01	020	1
0268987150			5340145758020		72-61-00	01	250A	1
0268987150			5340145758020		73-23-00	01	020A	1
0283317500			2915143785664		72-43-00	01	550	2
0292005390					71-00-00	01	001	1
0292025050					71-00-00	01	120	1
0292025090					71-00-00	01	005	1
0292101580			2840145783412		72-61-20	01	120A	1
0292101920			5340145557369		72-61-30	01	383	1
0292102010			2840145221445		72-61-00	01	350	1
0292102080			5365145557970		72-61-30	01	080	1
0292102430			5310145557233		72-61-30	01	450	1
0292102450			5310145557231		72-61-30	01	430	1
0292102460			5310145557226		72-61-30	01	120	1
0292102660					72-61-30	01	130	1
0292102730			3040144002563		72-61-20	01	220	1
0292102750			3020145557089		72-61-30	01	042	1
0292102850			2995145557946		72-32-10	01	150	1
0292102900			5306144002564		72-61-20	01	034	3
0292102940			5330143970869		72-61-20	01	100	1
0292102950			5365145557032		72-61-20	01	127	1
0292102970			3110146035298		72-61-20	01	150	1
0292103270			2840145557986		72-61-30	01	140	1
0292103300			5365145557229		72-61-40	01	070A	1
0292103310			5310145557234		72-61-40	01	070	1
0292103320			5365145557213		72-61-40	01	070B	1
0292103360			5365145143525		72-61-50	01	010	1
0292107500			5315145557078		72-61-50	01	230	3
0292107650			2995144002567		72-61-00	01	070	1
0292108170			5330143970871		72-61-20	01	120	1
0292108260			3040144002570		72-61-20	01	030	1
0292109010			3010145757937		72-61-20	01	030B	1
0292117250			2840145085848		72-61-00	01	030	1

SAFRAN HELICOPTER ENGINES

ARRIEL 2 C1

ILLUSTRATED PARTS CATALOG

SAFRAN HELICOPTER ENGINES P/N	MANUFACTURER		NATO P/N	AIRLINE STOCK No.	CHAP. SECTION SUBJECT	FIG.	ITEM	QTY
	CODE	P/N						
0292117260			3010145757938		72-61-20	01	030C	1
0292117300			2840145471304		72-61-00	01	030A	1
0292120100					72-61-30	01	280	1
0292120110					72-61-30	01	230	1
0292120360			5365145998854		72-61-20	01	200	1
0292120410			2840145846359		72-61-50	01	200B	1
0292120620					72-61-00	02	080	1
0292120630					72-61-20	02	100	1
0292120650			2840145846357		72-61-50	01	100A	1
0292120720					72-61-20	02	070	1
0292120730					72-61-30	01	230A	1
0292120740					72-61-30	01	280A	1
0292120770			2995145780488		72-61-00	01	560	1
0292120800			5360145561038		72-61-00	01	540	1
0292120880			2840146007343		72-61-20	01	250H	1
0292120940			5340145780375		72-61-00	01	760	1
0292120950			2935145781109		72-61-00	01	600	1
0292120960					72-61-40	01	060	1
0292120970					72-61-40	01	030	1
0292121000			2995145674604		79-24-00	01	010E	1
0292121020			2995145804339		79-24-00	01	010F	1
0292121100			2840145780618		72-61-00	01	400A	1
0292121110			2840145780618		72-61-00	01	400	1
0292121160			2840145221445		72-61-00	01	350A	1
0292121320					72-61-40	01	030A	1
0292121330					72-61-40	01	060A	1
0292121340			2840145780620		72-61-00	01	400B	1
0292121360					72-61-20	02	020	1
0292121410					72-61-20	02	010B	6
0292121460			2840145846362		72-61-50	01	200C	1
0292121490			2840145846364		72-61-00	02	300B	1
0292121510			2840145873368		72-61-50	01	100B	1
0292121530			2840145873369		72-61-00	02	300C	1
0292125060			2995145780793		79-24-00	01	010A	1
0292125070			2995145780794		79-24-00	01	010	1
0292125120			2995145804337		79-24-00	01	010B	1
0292125130			2995145674604		79-24-00	01	010D	1
0292125150			2995145804339		79-24-00	01	010C	1
0292127020			2840145846366		72-61-50	01	100	1
0292127140			4730145780482		72-61-00	01	100	1
0292127290					72-61-50	01	200	1
0292127330					72-61-30	01	044	1
0292127350					72-61-30	01	040	1
0292127350					72-61-30	01	040A	1
0292127360					72-61-00	02	300	1
0292127380					72-61-20	01	250	1
0292127400			2945145780740		72-61-00	02	010	1
0292127410					72-61-30	01	330	1
0292127420			2945145846370		72-61-40	01	100	1
0292127460			2945145780479		72-61-00	01	500	1
0292127570					72-61-30	01	330A	1
0292127630					72-61-30	01	380A	1
0292127640					72-61-30	01	380	1
0292127650					72-61-20	01	030A	1
0292127670					72-61-30	01	380B	1

SAFRAN HELICOPTER ENGINES

ARRIEL 2 C1

ILLUSTRATED PARTS CATALOG

SAFRAN HELICOPTER ENGINES P/N	MANUFACTURER		NATO P/N	AIRLINE STOCK No.	CHAP. SECTION SUBJECT	FIG.	ITEM	QTY
	CODE	P/N						
0292127680			2840145846372		72-61-50	01	200A	1
0292127720			2840145846373		72-61-00	02	300A	1
0292127750					72-61-20	01	250A	1
0292127800					72-61-20	01	250B	1
0292127860					72-61-20	01	250C	1
0292127870					72-61-30	01	040B	1
0292127890			2945145780741		72-61-00	02	010A	1
0292127920					72-61-20	01	250D	1
0292127960					72-61-20	01	250E	1
0292127990			2840146007344		72-61-20	01	250F	1
0292128040					72-61-20	01	250G	1
0292150010					72-32-00	01	080B	1
0292150030					72-32-00	01	104E	1
0292150040					72-32-00	01	104F	1
0292150090					72-32-00	01	100D	1
0292150210			5310145557239		72-32-10	01	380	1
0292150220			5340145557380		72-32-10	01	390	1
0292150240					72-32-10	01	170	1
0292150250					72-32-00	01	104G	1
0292150280			5310145557515		72-32-10	01	100	1
0292150330					72-32-00	01	104D	1
0292150510			2840146035300		72-32-10	01	330A	1
0292150820			5340145557054		72-32-10	01	270	1
0292151300			5365145557966		72-32-10	01	310	1
0292151450			5365145557033		72-32-10	01	230	1
0292151460			5365145557969		72-32-10	01	180	1
0292151680					72-32-10	01	450	1
0292152260			3020145557085		72-32-10	01	282	1
0292152320			3020145557083		72-32-10	01	286	1
0292152460			5365145304858		72-32-10	02	010	3
0292152530			2840145558622		72-32-10	01	200	1
0292152880			2840145558735		72-43-00	02	200A	1
0292153190			5310145557037		72-32-10	01	170A	1
0292153210					72-43-00	02	200	1
0292153330			3120145230521		72-32-00	01	300	1
0292153390					72-32-10	01	470A	1
0292153400					72-32-00	01	050A	1
0292153410					72-32-10	01	120A	1
0292153420					72-32-00	01	080A	1
0292157670			2995145558069		72-32-10	01	240	1
0292157770			3010145557953		72-32-10	01	280	1
0292157790					72-32-10	01	400	1
0292158220					72-32-00	01	104	1
0292158250			2840145780766		72-32-10	01	330	1
0292158290			2840145780419		72-43-00	02	170	1
0292158340			2840145558611		72-32-10	01	500	1
0292158350			2840145758035		72-32-10	01	500A	1
0292158400			2840145558603		72-32-00	01	100	1
0292158470					72-32-00	01	104A	1
0292158480					72-32-00	01	100A	1
0292201870			5305144978996		72-43-00	02	160	3
0292201960					72-43-20	01	090	1
0292202080			5365145558022		72-43-00	02	220	1
0292204400			5365145558020		72-43-20	01	090A	1
0292208190					72-43-20	01	050	1

SAFRAN HELICOPTER ENGINES

ARRIEL 2 C1

ILLUSTRATED PARTS CATALOG

SAFRAN HELICOPTER ENGINES P/N	MANUFACTURER		NATO P/N	AIRLINE STOCK No.	CHAP. SECTION SUBJECT	FIG.	ITEM	QTY
	CODE	P/N						
0292208260			2840145558616		72-43-20	01	050A	1
0292208270					72-43-20	01	050B	1
0292210020					72-43-20	01	150B	1
0292217010					72-43-20	01	150	1
0292217030					72-43-20	01	150A	1
0292252050			2840145557017		72-43-30	01	450	1
0292252060			2840145557019		72-43-30	01	420	1
0292260010					72-43-30	01	080	1
0292260020					72-43-30	01	440	1
0292260040					72-43-30	01	010	1
0292260090					72-43-30	03	010	39
0292260110			2840146035303		72-43-30	01	080B	1
0292260110			2840146035303		72-43-30	01	080D	1
0292260120					72-43-30	01	080C	1
0292260120					72-43-30	01	080E	1
0292260160			2840145780763		72-43-00	02	100	1
0292260240					72-43-30	03	020	39
0292260330					72-43-30	03	010B	39
0292260350					72-43-30	01	050P	1
0292260360					72-43-30	01	050M	1
0292260370					72-43-30	01	050N	1
0292260380					72-43-30	01	050Q	1
0292260390					72-43-30	01	050R	1
0292260400					72-43-30	01	050S	1
0292260410					72-43-30	01	050T	1
0292260440					72-43-30	01	050W	1
0292260450					72-43-30	01	050U	1
0292260460					72-43-30	01	050V	1
0292260490					72-43-30	01	050Z	1
0292260500					72-43-30	01	050X	1
0292260510					72-43-30	01	050Y	1
0292260530					72-43-30	01	050AC	1
0292260540					72-43-30	01	050AA	1
0292260550					72-43-30	01	050AB	1
0292260690					72-43-30	03	050A	1
0292260730					72-43-30	01	490	1
0292260750					72-43-30	01	050AE	1
0292260830					72-43-30	03	010A	39
0292260880					72-43-30	01	080A	1
0292267000					72-43-30	01	050	1
0292267010					72-43-30	01	050A	1
0292267110					72-43-30	01	030	1
0292267120					72-43-30	01	470	1
0292267150					72-43-30	01	050B	1
0292267160					72-43-30	01	050C	1
0292267190					72-43-30	01	050F	1
0292267200					72-43-30	01	050D	1
0292267210					72-43-30	01	050E	1
0292267230					72-43-30	01	470A	1
0292300010			5310146050143		72-43-40	01	020A	40
0292300030			5315145271099		72-43-40	01	070	20
0292300030			5315145271099		72-43-40	01	070A	20
0292300050			53101445015205		72-43-40	01	020	40
0292300670			4730144002573		72-43-00	01	570	2
0292350010			5310145271098		72-43-40	01	030	20

SAFRAN HELICOPTER ENGINES

ARRIEL 2 C1

ILLUSTRATED PARTS CATALOG

SAFRAN HELICOPTER ENGINES P/N	MANUFACTURER		NATO P/N	AIRLINE STOCK No.	CHAP. SECTION SUBJECT	FIG.	ITEM	QTY
	CODE	P/N						
0292370330			4730145465392		73-19-00	01	350	2
0292370370					72-43-00	02	400E	1
0292370380					72-43-40	01	050B	1
0292370390					72-43-00	02	400F	1
0292370400					72-43-00	02	400G	1
0292370410					72-43-00	02	400H	1
0292370450					72-43-40	01	100C	1
0292370460					72-43-00	02	400J	1
0292370500					72-43-40	01	100D	1
0292377000					72-43-40	01	100	1
0292377010					72-43-40	01	100B	1
0292377110			2840145557327		72-43-40	01	050	1
0292377310					72-43-00	02	400	1
0292377400					72-43-30	01	150	1
0292377800			2925145846381		72-43-00	01	450	2
0292377830					72-43-30	01	160	1
0292377870					72-43-40	01	100A	1
0292377880					72-43-00	02	400A	1
0292377890					72-43-30	01	160A	1
0292377910			2840145557328		72-43-40	01	050A	1
0292377960					72-43-00	02	400B	1
0292377990					72-43-30	01	150A	1
0292378020					72-43-00	02	400C	1
0292378030					72-43-00	02	400D	1
0292378040					72-43-30	01	150B	1
0292440030					72-43-00	02	310	1
0292440040					72-43-00	02	380	1
0292440110					72-43-30	02	010	8
0292440140					72-43-30	01	260	8
0292440210					72-43-30	01	340	9
0292440320					72-43-30	01	170	1
0292440330					72-43-30	02	030	1
0292447070					72-43-30	01	190	1
0292447200					72-43-30	01	350	1
0292447210					72-43-30	01	300	1
0292447230					72-43-30	02	050	1
0292447240					72-43-30	02	020	1
0292447250					72-43-30	01	300A	1
0292447280					72-43-30	02	050A	1
0292447290					72-43-30	01	400	1
0292447300					72-43-30	01	400A	1
0292447310					72-43-30	02	020A	1
0292447310					72-43-30	02	020B	1
0292447320					72-43-30	01	400B	1
0292450020			5365145270637		72-43-00	03	040	3
0292460010			2840145889676		72-43-00	02	370D	1
0292460060			5365145780494		72-43-00	02	053	3
0292460060			5365145780494		72-43-00	03	030	3
0292467060					72-43-00	02	370A	1
0292467070					72-43-00	02	370	1
0292467080			2840145846382		72-43-00	02	370B	1
0292467090					72-43-00	02	370C	1
0292510030			2840145823708		72-43-00	01	400A	3
0292510040			5340145823539		72-43-00	01	140	1
0292510040			5340145823539		72-43-00	01	190	1

Numerical index of Safran Helicopter Engines part numbers

00-00-40

Page 6
June 15/2023

SAFRAN HELICOPTER ENGINES

ARRIEL 2 C1

ILLUSTRATED PARTS CATALOG

SAFRAN HELICOPTER ENGINES P/N	MANUFACTURER		NATO P/N	AIRLINE STOCK No.	CHAP. SECTION SUBJECT	FIG.	ITEM	QTY
	CODE	P/N						
0292510040			5340145823539		72-43-00	01	240	1
0292510080			5340145823710		72-43-00	01	135	1
0292510080			5340145823710		72-43-00	01	185	1
0292510080			5340145823710		72-43-00	01	235	1
0292510100			5330145823647		72-43-00	01	132	1
0292510100			5330145823647		72-43-00	01	182	1
0292510100			5330145823647		72-43-00	01	232	1
0292510120			5330145823661		72-43-00	01	132A	1
0292510120			5330145823661		72-43-00	01	182A	1
0292510120			5330145823661		72-43-00	01	232A	1
0292510130			2840145780769		72-43-10	01	180	1
0292510160			2840145780765		72-43-10	02	050	1
0292510200			2840145728634		72-43-00	01	410	3
0292510340			4710145780441		72-43-00	01	400	3
0292510460			2840145780768		72-43-00	01	410A	3
0292517030			2840145780751		72-43-10	01	120	1
0292517060			2995145780487		72-43-10	01	030	1
0292517110			2840145780373		72-43-10	01	250	1
0292517140			2840145780561		72-43-10	01	150	1
0292517150					72-43-10	01	050	1
0292517160					72-43-10	01	100	1
0292517170			2840145779846		72-43-10	01	100A	1
0292670030			4730145780963		73-19-00	01	300	1
0292670050			4730145804341		71-71-00	01	320A	1
0292670180			3940145780365		71-21-00	01	010	1
0292670400			2840145779847		71-71-00	01	350	1
0292670410			4730145780435		71-71-00	01	320	1
0292677000			2840145780749		72-00-00	01	150	1
0292677010			2840145779848		74-11-10	01	100	1
0292677110			2915145779784		71-71-00	01	010	1
0292677160			2915145779785		71-71-00	01	050	1
0292677170			2840145846384		72-43-00	01	005	1
0292677190			2915145779788		71-71-00	01	150	1
0292677210			2915145823667		71-71-00	01	120	1
0292680030			2995145779982		75-29-00	01	450A	1
0292680570			4730145780746		75-31-00	01	170	1
0292680640			4730145221447		75-31-00	01	150	1
0292687230			2995145780012		75-29-00	01	400	1
0292687250			4820145067042		71-71-00	01	070	1
0292687270			2995145779990		75-29-00	01	450	1
0292687280			2995145780005		75-29-00	01	010	1
0292687290			2995145780015		75-29-00	01	500	1
0292697200			2925145780717		72-43-00	01	010	1
0292697430					71-51-00	01	010	1
0292697440					71-51-00	01	020	1
0292697520			5975145674596		72-43-00	01	010A	1
0292697590					71-51-00	01	030	1
0292697640			6150145823574		71-51-00	01	010A	1
0292697900			2925145889678		72-43-00	01	010B	1
0292700360			4710145558784		72-15-00	02	100	1
0292701040			5310145557215		72-15-20	01	114	1
0292701040			5310145557215		72-15-30	01	154	1
0292702380			4730145557375		72-15-20	01	110	1
0292702380			4730145557375		72-15-30	01	150	1
0292707090					72-15-30	02	010	6

SAFRAN HELICOPTER ENGINES

ARRIEL 2 C1

ILLUSTRATED PARTS CATALOG

SAFRAN HELICOPTER ENGINES P/N	MANUFACTURER		NATO P/N	AIRLINE STOCK No.	CHAP. SECTION SUBJECT	FIG.	ITEM	QTY
	CODE	P/N						
0292707100			5315145557076		72-15-30	02	030	1
0292707100			5315145557076		72-61-50	01	210	3
0292708530			5315145557079		72-15-30	02	010A	6
0292710010					72-15-10	01	250H	1
0292710020					72-15-10	01	250J	1
0292710040					72-15-10	01	250K	1
0292710050					72-15-10	01	250L	1
0292710070					72-15-30	01	020	1
0292710080					72-15-10	01	250M	1
0292710130					72-15-20	01	150	1
0292710140					72-15-10	01	160	1
0292710150					72-15-10	01	360	1
0292710160					72-15-10	01	100	1
0292710260					72-15-20	01	010	1
0292710340					72-15-10	01	150	1
0292710440					72-15-10	01	400A	1
0292710470					72-15-10	01	400B	1
0292710480					72-15-10	01	070C	1
0292710510			5310146035305		72-15-10	01	010	1
0292710530					72-15-00	01	252	1
0292710540					72-15-00	01	255	1
0292710550					72-15-20	02	060	1
0292710560					72-15-00	01	257	1
0292710570					72-15-10	01	070	1
0292710580					72-15-10	01	400	1
0292710730					72-15-20	02	060A	1
0292710740					72-15-00	01	255A	1
0292710750					72-15-10	01	070A	1
0292710780					72-15-00	01	257A	1
0292710890					72-15-00	01	255B	1
0292710900					72-15-00	01	257B	1
0292717020					72-15-20	01	300	1
0292717030					72-15-20	01	070	1
0292717040					72-15-30	01	100	1
0292717050					72-15-30	01	070	1
0292717210			3040145780770		72-15-00	01	250	1
0292717220					72-15-30	01	200	1
0292717230					72-15-30	02	050	2
0292717250					72-15-10	01	250	1
0292717310					72-15-10	01	250A	1
0292717320					72-15-30	01	200B	1
0292717330					72-15-30	01	200A	1
0292717350					72-15-20	01	300A	1
0292717390			3040145780771		72-15-00	01	250A	1
0292717400					72-15-10	01	070B	1
0292717420					72-15-20	01	300B	1
0292717430					72-15-10	01	250B	1
0292717470			2840145846391		72-15-30	01	200C	1
0292717560					72-15-10	01	250D	1
0292717570					72-15-30	01	200D	1
0292717600			3040145780772		72-15-00	01	250B	1
0292717620					72-15-10	01	250E	1
0292717670					72-15-10	01	250F	1
0292717690					72-15-10	01	250G	1
0292717720					72-15-10	01	250N	1

SAFRAN HELICOPTER ENGINES

ARRIEL 2 C1

ILLUSTRATED PARTS CATALOG

SAFRAN HELICOPTER ENGINES P/N	MANUFACTURER		NATO P/N	AIRLINE STOCK No.	CHAP. SECTION SUBJECT	FIG.	ITEM	QTY
	CODE	P/N						
0292717740					72-15-20	01	300D	1
0292720470			4730145780970		72-43-00	01	150	1
0292720470			4730145780970		72-43-00	01	200	1
0292720480			4730145780972		72-43-00	01	100	1
0292720520			2840145780393		79-29-00	01	400	1
0292720620			4730145780976		79-24-00	01	100	1
0292720630			4730145780978		79-25-00	01	100	1
0292720670			4730145780981		72-43-00	01	150A	1
0292720670			4730145780981		72-43-00	01	200A	1
0292720690			4730145780982		72-43-00	01	100A	1
0292720860			2995145823759		79-29-00	01	100B	1
0292720870			2995145823762		79-29-00	01	150A	1
0292720880			2995145823760		79-29-00	01	300A	1
0292720920			2995145860433		79-29-00	01	100C	1
0292720930			2995145860434		79-29-00	01	150B	1
0292720980					72-15-30	01	070A	1
0292727180			4820145780608		79-25-00	01	010	1
0292727240			2995145780002		79-29-00	01	010	1
0292727250			2995145780017		79-29-00	01	150	1
0292727260			2995145780007		79-29-00	01	300	1
0292727280			2995145779997		79-29-00	01	100A	1
0292727300			4820145780611		79-25-00	01	010A	1
0292727320			2995145823665		79-29-00	01	050	1
0292727330			2995145780000		79-29-00	01	100	1
0292730650			2840146007298		73-19-00	01	490	1
0292737250			2840145780742		73-14-00	01	100	1
0292737290			2915145779807		73-19-00	01	200	1
0292737300			2915145779809		73-19-00	01	250	1
0292737310			2915145779810		73-19-00	01	400	1
0292737390			2915145779812		73-19-00	01	600	1
0292737440			2915145779818		73-19-00	01	010	1
0292737580			2915145779822		73-19-00	01	550	1
0292750010			5340145757908		72-61-10	01	140A	2
0292750030			2840145779838		72-61-10	01	020A	1
0292750150			5340145757910		72-61-10	01	140	2
0292750390			5365144095136		72-61-10	01	150	2
0292750400			5365144125537		72-61-10	01	160	4
0292757140			4710145557337		72-61-10	01	070	1
0292757160			4710145557335		72-61-10	01	090	1
0292757210			2840145779838		72-61-10	01	020	1
0292757850			4710145779843		72-61-10	01	120	1
0292760020			2840145543127		72-00-00	01	170	1
0292760160			2840145779849		26-11-00	01	150	1
0292760340			5365145780496		77-21-00	01	014	2
0292760390			2840145779851		26-11-00	01	250	1
0292760420			4730145674646		77-21-00	01	014A	2
0292767020			2840145779852		71-51-00	01	100	1
0292767020			2840145779852		72-61-00	01	860	1
0292767070			6150145780962		77-21-00	01	050	1
0292767120			2840145779853		26-11-00	01	050	1
0292767130			2840145779902		72-00-00	01	130	1
0292767140			2840145779907		71-41-00	01	050	1
0292767170					71-51-00	01	140	1
0292808740			5340144290264		72-70-00	01	050	1
0292810010					72-54-20	01	240E	1

SAFRAN HELICOPTER ENGINES

ARRIEL 2 C1

ILLUSTRATED PARTS CATALOG

SAFRAN HELICOPTER ENGINES P/N	MANUFACTURER		NATO P/N	AIRLINE STOCK No.	CHAP. SECTION SUBJECT	FIG.	ITEM	QTY
	CODE	P/N						
0292810130					72-54-10	01	010	37
0292810150					72-54-00	01	030	1
0292810180					72-54-20	01	120	1
0292810190					72-54-20	01	170	1
0292810200					72-54-20	01	222	3
0292810320					72-54-20	01	250	1
0292810330					72-54-00	01	020	1
0292810340					72-54-20	01	240	1
0292810360					72-54-20	01	310	1
0292810450			5310146035309		72-54-00	01	010	1
0292810480					72-54-10	01	040B	1
0292810490					72-54-10	01	030	37
0292810500					72-54-10	01	040A	1
0292810510					72-54-10	01	040	1
0292810540					72-54-20	01	070	1
0292810540					72-54-20	01	070D	1
0292810550					72-54-20	01	070A	1
0292810600					72-54-20	01	070C	1
0292810620			5365145780498		72-43-00	02	053A	3
0292810650					72-54-20	01	070E	1
0292810700					72-54-20	01	200D	1
0292810860					72-54-20	01	070B	1
0292815000			2840145779827		72-00-00	01	070	1
0292817220			2840145780367		72-43-00	02	050	1
0292817260					72-54-20	01	400	1
0292817270					72-54-20	01	200	1
0292817300					72-54-20	01	220	1
0292817320					72-54-00	01	050	1
0292817330			2840145779830		72-70-00	01	200	1
0292817350					72-54-20	01	220A	1
0292817380					72-54-00	01	050A	1
0292817390			2840145780368		72-43-00	02	050A	1
0292817420					72-54-20	01	200A	1
0292817450					72-54-20	01	200C	1
0292817460					72-54-20	01	200B	1
0292817480			5340145757917		72-70-00	01	050A	1
0292817500					72-54-00	01	050B	1
0292827110			1560144834621		72-70-00	01	100	1
0292827120			2840145066271		72-70-00	01	100A	1
0292850170					73-23-00	01	010Z	1
0292858440					73-23-00	01	010K	1
0292858490					73-23-00	01	010J	1
0292858550					73-23-00	01	010L	1
0292858860					73-23-00	01	010M	1
0292858870					73-23-00	01	010N	1
0292858880					73-23-00	01	010P	1
0292858890					73-23-00	01	010Q	1
0292858940					73-23-00	01	010R	1
0292858950					73-23-00	01	010S	1
0292860460					73-23-00	01	010AA	1
0292860560					73-23-00	01	010Y	1
0292860940					73-23-00	01	010AD	1
0292861060					73-23-00	01	010AE	1
0292861090					73-23-00	01	010AC	1
0292861110					73-23-00	01	010AB	1

SAFRAN HELICOPTER ENGINES

ARRIEL 2 C1

ILLUSTRATED PARTS CATALOG

SAFRAN HELICOPTER ENGINES P/N	MANUFACTURER		NATO P/N	AIRLINE STOCK No.	CHAP. SECTION SUBJECT	FIG.	ITEM	QTY
	CODE	P/N						
0292861240					73-23-00	01	010AF	1
0292861400					73-23-00	01	010AJ	1
0292861410					73-23-00	01	010AH	1
0292861420					73-23-00	01	010AG	1
0292861900					73-23-00	01	010AK	1
0292862140					73-23-00	01	010AM	1
0292862160					73-23-00	01	010AL	1
0292862460					73-23-00	01	010AN	1
0292862630					73-23-00	01	010AP	1
0292862770					73-23-00	01	010AQ	1
0292862800					73-23-00	01	010AR	1
0292868340					73-23-00	01	010T	1
0292868410					73-23-00	01	010U	1
0292868540					73-23-00	01	010V	1
0292868700					73-23-00	01	010X	1
0292868860					73-23-00	01	010W	1
0292910020			5340145558064		72-15-20	01	210	1
0292928290					73-23-00	01	010	1
0292928460					73-23-00	01	010B	1
0292928470					73-23-00	01	010C	1
0292928530					73-23-00	01	010A	1
0292928560					73-23-00	01	010D	1
0292928660					73-23-00	01	010E	1
0292928700					73-23-00	01	010F	1
0292928740					73-23-00	01	010G	1
0292928820					73-23-00	01	010H	1
0292950780			2915145889671		73-14-00	01	010C	1
0292958050			2915145780699		73-14-00	01	010	1
0292958060			2915145780689		73-14-00	01	010A	1
0292958070			4820145674672		73-14-00	01	010B	1
0292987030					71-01-00	01	050	1
0292990060					72-43-30	01	070B	1
0292990060					72-43-30	01	070F	1
0292990070			5310145557211		72-32-00	01	010	1
0292990080					72-43-30	01	070C	1
0292990080					72-43-30	01	070G	1
0292990110					72-43-30	01	070D	1
0292990110					72-43-30	01	070H	1
0292990120					72-43-30	01	070E	1
0292990120					72-43-30	01	070J	1
0292990150			2995144002601		72-00-00	01	260	1
0292990630			2840145557435		72-32-00	01	102	1
0292990700			5365145558024		72-43-00	02	190	1
0292990770			3040145271093		72-43-30	01	070	1
0292990960			2840145780756		72-00-00	01	320	1
0292990990			5306145558716		72-43-30	01	070A	1
0292991020			4730145780449		72-00-00	01	260A	1
0292995160					72-00-00	01	100	1
0294747000			6150143494398		71-51-00	01	150	AD
0294747000			6150143494398		72-61-00	01	800	1
0301000520			1730144036320		72-43-00	01	250	2
0301000850			5340143853986		71-51-00	01	086	1
0301010540			5340144002613		71-51-00	01	082	1
0301010540			5340144002613		71-71-00	01	162	1
0301010540			5340144002613		75-29-00	01	508	2

SAFRAN HELICOPTER ENGINES

ARRIEL 2 C1

ILLUSTRATED PARTS CATALOG

SAFRAN HELICOPTER ENGINES P/N	MANUFACTURER		NATO P/N	AIRLINE STOCK No.	CHAP. SECTION SUBJECT	FIG.	ITEM	QTY
	CODE	P/N						
0301010540			5340144002613		79-29-00	01	314	1
0301010550			5340145780753		75-29-00	01	512	1
0301010860			2840144002616		71-21-00	01	050	1
0301020260			4730144002635		71-71-00	01	310	1
0301020270			4730144002636		72-61-00	01	010	1
0301020700			4730144002643		72-43-00	01	340	1
0301027410			4720144002650		71-71-00	01	300	1
0301030080			4730144002671		72-43-00	01	300	1
0314160030			2995145558688		72-32-10	01	460	1
0314160040			2840145558757		72-32-00	01	050	1
0314160050			5330145557707		72-32-10	01	470	1
0314160060			2840145558183		72-32-10	01	120	1
0314160070			2840145558091		72-32-00	01	080	1
0319140620			5340145780377		72-61-00	01	700	1
0319140620			5340145780377		72-61-00	01	730	1
0319140620			5340145780377		72-61-00	01	940	1
0319767180			5340144182210		77-21-00	01	018A	1
0319767900			5340145067071		74-24-10	01	020	3
0333200180					72-43-30	02	060	3
0333750630			5340144435935		72-61-10	01	180	1
0333750630			5340144435935		77-21-00	01	040	1
0333767010			5340144217293		77-21-00	01	018	1
0400410010	VU1653	AS12811	5340142933960		73-19-00	01	470	1
0400410010	VU1653	AS12811	5340142933960		75-29-00	01	462	2
0400410020	VU1653	AS12812	5340143388782		71-71-00	01	156	1
0400410020	VU1653	AS12812	5340143388782		79-29-00	01	310	1
0400420010	VU1653	AS12841	5340142933961		73-19-00	01	460	1
0400420010	VU1653	AS12841	5340142933961		75-29-00	01	460	2
0400420020	VU1653	AS12842	5340143388786		71-71-00	01	158	1
0400420020	VU1653	AS12842	5340143388786		79-29-00	01	308	1
0400430060	VU1653	AS12872	5970142933962		73-19-00	01	480	1
0400430060	VU1653	AS12872	5970142933962		75-29-00	01	464	2
0400430080	VU1653	AS12874	5970143114657		71-71-00	01	160	1
0400430080	VU1653	AS12874	5970143114657		79-29-00	01	312	1
2292120630					72-61-20	02	100A	1
2292120640					72-61-20	02	050	1
2292120650					72-61-20	02	030	1
2292121250					72-61-20	02	050A	1
2292121270					72-61-20	02	050B	1
2292121290					72-61-20	02	030A	1
2292121420					72-61-20	02	030B	1
2292150110					72-32-00	01	115A	1
2292150170					72-32-00	01	110D	1
2292150280					72-32-00	01	115B	1
2292150310					72-32-00	01	115C	1
2292150360					72-32-10	01	335	1
2292152320					72-32-10	01	286A	1
2292152790					72-32-00	01	115	1
2292152910					72-32-00	01	110	1
2292153270					72-32-00	01	110A	1
2292260060			2840146035312		72-43-30	03	050	1
2292260070					72-43-30	03	030	39
2292260080					72-43-30	03	030A	39
2292260100					72-43-30	03	030B	39
2292260110					72-43-30	03	030C	39

SAFRAN HELICOPTER ENGINES

ARRIEL 2 C1

ILLUSTRATED PARTS CATALOG

SAFRAN HELICOPTER ENGINES P/N	MANUFACTURER		NATO P/N	AIRLINE STOCK No.	CHAP. SECTION SUBJECT	FIG.	ITEM	QTY
	CODE	P/N						
2292260140					72-43-30	01	036	1
2292260210					72-43-30	01	474	1
2292260270					72-43-30	01	033	1
2292260280					72-43-30	01	472	1
2292260500					72-43-30	01	472A	1
2292260760					72-43-30	03	030D	39
2292260770					72-43-30	03	030E	39
2292260780					72-43-30	03	030F	39
2292260790					72-43-30	03	030G	39
2292260870					72-43-30	01	474A	1
229226A070					72-43-30	03	030K	39
229226A0A0					72-43-30	03	030H	39
229226A0B0					72-43-30	03	030J	39
229226A3X0					72-43-30	03	030Q	39
229226A3Y0					72-43-30	03	030R	39
229226A3Z0					72-43-30	03	030S	39
229226A580					72-43-30	03	030T	39
229226A590					72-43-30	03	030U	39
2292440160					72-43-30	01	355	3
2292440170					72-43-30	01	193	3
2292440180					72-43-30	01	196	1
2292510120					72-43-10	01	053	5
2292701310					72-15-20	02	030	1
2292701310					72-15-30	02	020	1
2292710040					72-15-10	01	252	1
2292710050					72-15-20	02	005	1
2292710100					72-15-10	01	252A	1
2292710700					72-15-20	02	005A	1
2292710720					72-15-10	01	252B	1
2292710730					72-15-20	02	005B	1
2292800210					72-54-10	01	050	1
2292810310					72-54-10	01	070	1
2292810430					72-54-10	01	020	37
2292810440					72-54-10	01	020A	37
2292810610					72-54-10	01	070A	1
2292810790					72-54-10	01	070B	1
229281A010					72-54-10	01	020B	37
2333220870					72-43-30	02	070	8
7000000119					72-43-20	01	053A	3
7000000134			5340145920246		72-70-00	01	102	AR
70BM011720					72-00-00	01	020	1
70BM021710			2840145780046		72-00-00	01	030	1
70BM031710			2840145780057		72-00-00	01	040C	1
70BM031720					72-00-00	01	040	1
70BM031740			2840145674573		72-00-00	01	040B	1
70BM031750					72-00-00	01	040A	1
70BM031770			2840145825081		72-00-00	01	040D	1
70BM031790					72-00-00	01	040E	1
70BM041720			2840145780061		72-00-00	01	050	1
70BM051710			2840145780065		72-00-00	01	060	1
70BMD00990					71-00-00	01	003A	1
70BMD00990					71-00-00	01	100A	AD
70BMD01000					71-00-00	01	003	1
70BMD01000					71-00-00	01	100	AD
70BMD01010					71-00-00	01	003C	1

SAFRAN HELICOPTER ENGINES

ARRIEL 2 C1

ILLUSTRATED PARTS CATALOG

SAFRAN HELICOPTER ENGINES P/N	MANUFACTURER		NATO P/N	AIRLINE STOCK No.	CHAP. SECTION SUBJECT	FIG.	ITEM	QTY
	CODE	P/N						
70BMD01020					71-00-00	01	003B	1
70BMD01030					71-00-00	01	003E	1
70BMD01040	VF9111	C12380BA03			71-00-00	01	003D	1
70BMD01050					71-00-00	01	003F	1
70BMD01060	VF9111	C12380BE04			71-00-00	01	003G	1
70BMD01070					71-00-00	01	003H	1
70BMD01080					71-00-00	01	003J	1
729212736A			2840145873370		72-61-00	02	300D	1
729212772A			2840145873371		72-61-00	02	300E	1
7292152461			5365145780500		72-32-10	02	010A	3
7292152461			5365145780500		72-32-10	02	012	3
7292152463			5365145780502		72-32-10	02	010B	3
7292152463			5365145780502		72-32-10	02	014	3
7292152466			5365145780503		72-32-10	02	010C	3
7292152466			5365145780503		72-32-10	02	016	3
729215291A					72-32-00	01	110B	1
729215327A					72-32-00	01	110C	1
729215822A					72-32-00	01	104B	1
729215825A			2840146058955		72-32-10	01	330B	1
729215840A					72-32-00	01	100B	1
729215847A					72-32-00	01	104C	1
729215848A					72-32-00	01	100C	1
729226076A					72-43-30	03	030L	39
729226715A					72-43-30	01	050G	1
729226719A					72-43-30	01	050K	1
729226720A					72-43-30	01	050H	1
729226720B					72-43-30	01	050L	1
729226720C					72-43-30	01	050AD	1
729226721A					72-43-30	01	050J	1
729226A07A					72-43-30	03	030P	39
729226A0AA					72-43-30	03	030M	39
729226A0BA					72-43-30	03	030N	39
729244721A					72-43-30	01	300B	1
729244725A					72-43-30	01	300C	1
729244731A					72-43-30	02	020C	8
7292710081			3040145860439		72-15-10	01	250Q	1
7292710441					72-15-10	01	400D	1
7292710471					72-15-10	01	400E	1
7292710581					72-15-10	01	400C	1
729271702A					72-15-20	01	300C	1
729271722A					72-15-30	01	200E	1
729271731A					72-15-10	01	250C	1
729271742A			2840145780420		72-15-20	01	300E	1
7292717721					72-15-10	01	250P	1
7292810331					72-54-00	01	020A	1
7292810332					72-54-00	01	020B	1
7292810333					72-54-00	01	020C	1
7292810341					72-54-20	01	240A	1
7292810342					72-54-20	01	240B	1
7292810343					72-54-20	01	240C	1
7292810344					72-54-20	01	240D	1
8819677000			4920145316246		71-91-00	01	060	1
9421003400	VF5496	HE3201A	2925145784934		74-11-10	01	010C	1
9421003500	V02101	93661-1	2925145823693		72-61-00	01	650B	1
9520011520	VF9211	4910	2995145228519		79-38-00	01	034	1

Numerical index of Safran Helicopter Engines part numbers

00-00-40

Page 14
June 15/2023

SAFRAN HELICOPTER ENGINES

ARRIEL 2 C1

ILLUSTRATED PARTS CATALOG

SAFRAN HELICOPTER ENGINES P/N	MANUFACTURER		NATO P/N	AIRLINE STOCK No.	CHAP. SECTION SUBJECT	FIG.	ITEM	QTY
	CODE	P/N						
9520011546	VF9211	4930-1	2995145488865		79-38-00	01	030	1
9520011648	VFA3W9	BM1026200			72-61-00	01	146	1
9520011649	VFA3W9	BM1026100			72-61-00	01	142	1
9520011653	VFA3W9	32059101	2995145319525		72-15-00	01	096	1
9520011653	VFA3W9	32059101	2995145319525		72-61-00	01	136	1
9520011655	VFA3W9	32069101	5365145290562		72-15-00	01	092	1
9520011655	VFA3W9	32069101	5365145290562		72-61-00	01	132	1
9520011691	VFA3W9	32129101			72-15-00	01	102	1
9520011692	VFA3W9	32129201			72-15-00	01	106	1
9520011817	VF0559	PAO 1583 A	5340145488822		72-61-00	01	472	1
9520011818	VF0559	AJ-0187701780EAO	5331144430196		72-61-00	01	473	1
9520011819	VF0559	07550200106559A	5365145462545		72-61-00	01	470	1
9520011820	VF0559	07550200105559A	5365145462546		72-61-00	01	471	1
9520011823	VF0559	JA02053A	2945145784940		72-61-00	01	476	1
9520011825	VF0559	JAO2055A	2945145784941		72-61-00	01	476A	1
9550000100	VS3866	388Z-05644	6680145823700		77-12-00	01	010F	3
9550002100	VF7926	9296-2	2925145823696		72-61-00	01	650A	1
9550002500	VFANU6	40EB03	2840145782888		75-31-00	01	050B	1
9550004800	VF5496	3100-0113	7510016227433		74-11-10	01	011	1
9550158250	VF1976	3162-300	4820144334965		75-31-00	01	050	1
9550163872	VF0286	RNF3000-24/8-4	5970144704077		71-51-00	01	062	AR
9550163882	VF0286	RNF3000-24/8-6	5970144704078		71-51-00	01	074	AR
9550163892	VF0286	RNF3000-24/8-9	5970144380660		71-51-00	01	052	AR
9550163892	VF0286	RNF3000-24/8-9	5970144380660		71-51-00	01	056	AR
9550164950	V90827	7000	2840145323080		75-31-00	01	050A	1
9550165760	VF1976	1409-000	6695145209141		72-61-00	01	880	1
9550165760	VF1976	1409-000	6695145209141		77-11-00	01	010	1
9550166140	V34345	APT190-13BAR-A	6695015233452		75-41-00	01	010	1
9550168670	VF1976	1424-000	6695145782791		77-12-00	01	010	3
9550168760	VF6840	SC2036	2925145178151		72-43-00	01	460	2
9550168770	V11583	CH34595	2920014509908		72-43-00	01	460A	2
9550170830	V98505	8557-1	5930145536484		79-31-00	01	010	1
9550171410	VF7926	9296-1	2925145823698		72-61-00	01	650	1
9550171420	VF2276	CZ5MC6-3	6620145067146		75-41-00	01	010A	1
9550171540	VF6840	CLB23060	2925145550274		74-24-10	01	010A	2
9550171580	V59501	9048205-302	2925015678027		74-24-10	01	010	2
9550171750	VF9211	4901-1	5935145424078		79-38-00	01	010	1
9550172120	V97424	610523-02	6695145782785		77-12-00	01	010A	3
9550173110	VF9211	H243	6350145034830		26-11-00	01	010	1
9550173110	VF9211	H243	6350145034830		26-11-00	01	100	1
9550173140	VF9211	H443	6350145034831		26-11-00	01	200	1
9550173220	VF6840	HE931	2925145209148		74-11-10	01	010	1
9550175800	VF6840	VIT7100030	6680145674654		77-12-00	01	010B	3
9550175800	VF6840	VIT7100030	6680145674654		77-12-00	01	010E	AD
9550175800	VF6840	VIT7100030	6680145674654		77-12-00	01	015A	1
9550175800	VF6840	VIT7100030	6680145674654		77-12-00	01	020A	2
9550175810	VF6840	VIT7100040	6680145488559		72-61-00	01	880C	1
9550175810	VF6840	VIT7100040	6680145488559		77-11-00	01	010C	1
9550176740	VF2276	TC330-01	2995145778923		77-21-00	01	010	1
9550176740	VF2276	TC330-01	2995145778923		77-21-00	01	030	1
9550177130	VF9211	H243-1	6350145263348		26-11-00	01	010A	1
9550177130	VF9211	H243-1	6350145263348		26-11-00	01	100A	1
9550177160	VF9211	H443_1	6350145263347		26-11-00	01	200A	1
9550177210	VFA3W9	BM1026			72-61-00	01	140	1
9550177360	VF1976	1604-000	6680145778934		77-12-00	01	010C	3

SAFRAN HELICOPTER ENGINES

ARRIEL 2 C1

ILLUSTRATED PARTS CATALOG

SAFRAN HELICOPTER ENGINES P/N	MANUFACTURER		NATO P/N	AIRLINE STOCK No.	CHAP. SECTION SUBJECT	FIG.	ITEM	QTY
	CODE	P/N						
9550177360	VF1976	1604-000	6680145778934		77-12-00	01	015	1
9550177360	VF1976	1604-000	6680145778934		77-12-00	01	020	2
9550177390	VF1976	1604-300	6680145342774		72-61-00	01	880A	1
9550177390	VF1976	1604-300	6680145342774		77-11-00	01	010A	1
9550177620	VFA3W9	32129001			72-15-00	01	100	1
9550177760	VF6840	HE 932	2925145571981		74-11-10	01	010A	1
9550178070	VF5496	HE 3200 amdt e	2925145550280		74-11-10	01	010B	1
9550178220	VF7917	TCH03-K10-100	2995145784945		77-21-00	01	010B	1
9550178220	VF7917	TCH03-K10-100	2995145784945		77-21-00	01	030B	1
9550178230	VF2276	TC382-00	4920145677615		77-21-00	01	010A	1
9550178230	VF2276	TC382-00	4920145677615		77-21-00	01	030A	1
9550178680	VF1976	1354000	2840145351279		75-31-00	01	050C	1
9550179160	VF1976	1604000-01	6680145778935		77-12-00	01	010D	3
9550179190	VF1976	1604300-01	6680145424087		72-61-00	01	880B	1
9550179190	VF1976	1604300-01	6680145424087		77-11-00	01	010B	1
9550353600	VF5496	SC3536			72-43-00	01	460B	2
9560111150	VF6069	GPN610U20RGE	5340121726624		71-91-00	01	100	1
9560111150	VF6069	GPN610U20RGE	5340121726624		71-91-00	01	160	1
9560114630	VF0215	9560114630	4730143130418		72-61-00	01	254	1
9560114630	VF0215	9560114630	4730143130418		73-23-00	01	024	1
9560115450	V04171	71075-1	5330010435143		72-61-00	01	390	1
9560115450	V04171	71075-1	5330010435143		72-61-00	01	440	1
9560116010	V04171	021-517	5330010435206		72-61-00	01	393	1
9560116010	V04171	021-517	5330010435206		72-61-00	01	443	1
9560116020	V04171	026-517	5330010435209		72-61-00	01	394	1
9560116020	V04171	026-517	5330010435209		72-61-00	01	444	1
9560117610	VF0215	9560117610	5340143298280		71-51-00	01	076B	1
9560117610	VF0355	58 0 171 002	5340143298280		71-51-00	01	076B	1
9560119880	VF0224	5SMF5209M	5310143502850		72-32-10	02	050	3
9560125160	VF6275	C6048-25.B-ISO	5342144008169		75-31-00	01	052	1
9560126950	V04319	76783-02			72-54-20	01	210	1
9560128730	VF0224	5080LATE10CMK-BD	5340144839462		72-70-00	01	240	7
9560130220	VF0215	8TX200BS	4730143029979		71-41-00	01	052	1
9560130220	VF0215	8TX200BS	4730143029979		71-51-00	01	102	1
9560130220	VF0215	8TX200BS	4730143029979		71-51-00	01	142	1
9560130220	VF0215	8TX200BS	4730143029979		72-61-00	01	850	1
9560130450	VK0624	OLVB6946	4920995221681		72-15-00	01	110	1
9560130450	VK0624	OLVB6946	4920995221681		72-61-00	01	150	1
9560130460	VK0624	OLVB3419	6635997355153		72-15-00	01	130	1
9560130460	VK0624	OLVB3419	6635997355153		72-61-00	01	170	1
9560131840	V04171	79008-3	2840016237069		72-61-20	01	122A	1
9560133940	VFAAM1	TYZ25M	5975010505225		71-51-00	01	095	3
9560133940	VF6728	TYZ25M	5975010505225		71-51-00	01	095	3
9560133940	VFAAM1	TYZ25M	5975010505225		71-51-00	01	096	1
9560133940	VF6728	TYZ25M	5975010505225		71-51-00	01	096	1
9560133940	VFAAM1	TYZ25M	5975010505225		71-51-00	01	097	2
9560133940	VF6728	TYZ25M	5975010505225		71-51-00	01	097	2
9560133940	VFAAM1	TYZ25M	5975010505225		71-51-00	01	200	7
9560133940	VF6728	TYZ25M	5975010505225		71-51-00	01	200	7
9560134100	V04171	79008-1	5330013675804		72-61-20	01	122	1
9560140340	V04171	140-517	5330010852785		72-61-20	01	123	1
9560140350	V04171	146517	5331001727188		72-61-20	01	124	1
9560142440	V04171	140-567	5331016237068		72-61-20	01	123A	1
9560142450	V04171	146-567	5331016237071		72-61-20	01	124A	1
9560151220	VF0215	21F15	5340144192195		71-51-00	01	054	1

SAFRAN HELICOPTER ENGINES

ARRIEL 2 C1

ILLUSTRATED PARTS CATALOG

SAFRAN HELICOPTER ENGINES P/N	MANUFACTURER		NATO P/N	AIRLINE STOCK No.	CHAP. SECTION SUBJECT	FIG.	ITEM	QTY
	CODE	P/N						
9560151240	VF0215	21F19	5340144192197		71-51-00	01	060	1
9560154770	VF0215	11N6	5340143668631		75-29-00	01	506	2
9560154770	VF0215	11N6	5340143668631		75-29-00	01	506A	3
9560156580	V04171	140-547	5331016237068		72-61-20	01	123B	1
9560156880	V04171	146-547	5331016237071		72-61-20	01	124B	1
9560158450	VK1209	A17761-186-1	2840145804379		72-43-30	01	110	2
9560158720	V0051T	62X2,5X2,5CB	2840145785058		72-43-10	01	200A	2
9560158810	VF2569	R-62X2,5X2,5-SV-KI-PO	2840145785058		72-43-10	01	200	2
9560158950	VF0355	580-181-020	5340144704084		71-51-00	01	084	2
9560159150	VF9088	PVK300670AT24S			72-15-10	01	130	1
9560160280	V04319	19637			72-54-20	01	180	1
9560162070	VF6409	A22989-01	4720145782887		79-29-00	01	200A	1
9560163940	VK1209	A17761-241-2	2840998406414		72-54-00	01	080	2
9560165040	VF6409	A22983-01	4720145782886		79-29-00	01	200	1
9560165550	VFB797	236105			72-54-20	01	300	1
9560165770	VF0562	228500-2			72-43-20	01	100	1
9560165860	VF2569	R-61,5X1,75X2,3-SV-KI-P			72-54-20	01	260	1
9560165990	VF0384	OR10X2-70FFKM151400	5331145783534		72-43-00	01	270	1
9560165990	VF0384	OR10X2-70FFKM151400	5331145783534		72-43-00	01	280	1
9560165990	VF0384	OR10X2-70FFKM151400	5331145783534		72-43-00	01	290	1
9560166210	VF0215	9560166210	5340145227408		71-51-00	01	040	4
9560166210	VF0215	9560166210	5340145227408		71-51-00	01	066	1
9560166220	VF0215	9560166220	5340144844260		71-51-00	01	072	2
9560166230	VF0215	9560166230	5340144844261		71-51-00	01	042	4
9560166240	VF0215	9560166240	5340144844262		71-51-00	01	044	2
9560166610	VK1209	A17761-126-2	2840994930274		72-43-10	01	070	2
9560166810	VF1253	3-12ZA00-921	5330145782858		72-43-00	01	130	1
9560166810	VF1253	3-12ZA00-921	5330145782858		72-43-00	01	180	1
9560166810	VF1253	3-12ZA00-921	5330145782858		72-43-00	01	230	1
9560166860	VF0559	CA00525A	2945145557700		72-61-00	01	520	1
9560166950	VF6285	9993160	4720145873372		79-29-00	01	200B	1
9560167230	VF0183	28460	5365145784968		72-61-00	01	900	1
9560167310	VF0559	JA00623A	2945145784964		72-61-00	01	460	1
9560167380	VK1209	A18846/8			72-15-10	01	200	1
9560168040	VF0559	JA00875A	2945145209152		72-61-00	01	460A	1
9560169680	VF0215	9560169680	5340145778912		72-61-00	01	254A	1
9560169680	VF0215	9560169680	5340145778912		73-23-00	01	024A	1
9560171170	VFA3W9	32059001	5365145287710		72-15-00	01	090	1
9560171170	VFA3W9	32059001	5365145287710		72-61-00	01	130	1
9560175240	VF9756	PLT2S-M76	5975010505225		71-51-00	01	095A	3
9560175240	VF9756	PLT2S-M76	5975010505225		71-51-00	01	096A	1
9560175240	VF9756	PLT2S-M76	5975010505225		71-51-00	01	097A	2
9560175240	VF9756	PLT2S-M76	5975010505225		71-51-00	01	200A	7
9560175960	VF0355	580 101 191	5340145784988		71-51-00	01	076A	1
9560176520	VF0562	1008500			72-43-20	01	100A	1
9560176660	VF0384	49082243	5331145785176		72-43-00	01	270A	1
9560176660	VF0384	49082243	5331145785176		72-43-00	01	280A	1
9560176660	VF0384	49082243	5331145785176		72-43-00	01	290A	1
9560177090	VFA3W9	50499002	4730145824243		72-43-00	01	100B	1
9560177090	VFA3W9	50499002	4730145824243		72-43-00	01	150B	1
9560177090	VFA3W9	50499002	4730145824243		72-43-00	01	200B	1
9560177240	VFA3W9	30004937	5330145998427		72-43-00	01	110	1
9560177240	VFA3W9	30004937	5330145998427		72-43-00	01	160	1
9560177240	VFA3W9	30004937	5330145998427		72-43-00	01	210	1
9562811260	VF0215	21F9,5	5340145172142		77-21-00	01	016	1

Numerical index of Safran Helicopter Engines part numbers

Page 17

00-00-40

June 15/2023

SAFRAN HELICOPTER ENGINES

ARRIEL 2 C1

ILLUSTRATED PARTS CATALOG

SAFRAN HELICOPTER ENGINES P/N	MANUFACTURER		NATO P/N	AIRLINE STOCK No.	CHAP. SECTION SUBJECT	FIG.	ITEM	QTY
	CODE	P/N						
9562811260	VF0215	21F9,5	5340145172142		77-21-00	01	038	1
9562811300	VF0215	21F6	5340144112406		71-51-00	01	076	1
9564090020	VF0224	5SMR4205	5310142863633		72-00-00	01	132	2
9564090030	VF0224	5SMR2205	5310142722264		73-14-00	01	104	3
9564090030	VF0224	5SMR2205	5310142722264		74-11-10	01	120	5
9564090090	VF0224	5 JSMR 20209 M	5310142722265		73-14-00	01	104A	3
9564090090	VF0224	5 JSMR 20209 M	5310142722265		74-11-10	01	120A	5
9567720030	VF1701	SIM0LG3-5	5305142148330		72-15-30	02	090	2
9567720030	VF1701	SIM0LG3-5	5305142148330		72-61-50	01	110	4
9601490599	VF0563	61905JP63	3110144695945		72-61-30	01	350	1
9601490599	VF0563	61905JP63	3110144695945		72-61-30	01	360	1
9601490801	VF0272	61908/C3			72-15-20	01	050A	1
9601600199	VD8897	6001YP63S.O.	3110144695947		72-61-30	01	200	1
9601600199	VF0272	6001/C3SO	3110144695947		72-61-30	01	200	1
9601600199	VD8897	6001YP63S.O.	3110144695947		72-61-30	01	210	1
9601600199	VF0272	6001/C3SO	3110144695947		72-61-30	01	210	1
9601600199	VD8897	6001YP63S.O.	3110144695947		72-61-30	01	250	1
9601600199	VF0272	6001/C3SO	3110144695947		72-61-30	01	250	1
9601600199	VD8897	6001YP63S.O.	3110144695947		72-61-30	01	260	1
9601600199	VF0272	6001/C3SO	3110144695947		72-61-30	01	260	1
9601600199	VD8897	6001YP63S.O.	3110144695947		72-61-30	01	300	1
9601600199	VF0272	6001/C3SO	3110144695947		72-61-30	01	300	1
9601600199	VD8897	6001YP63S.O.	3110144695947		72-61-30	01	310	1
9601600199	VF0272	6001/C3SO	3110144695947		72-61-30	01	310	1
9606490202	VF0771	S19015-1-05RBA20-30	3110145556521		72-32-10	01	370	1
9606490202	VF0771	S19015-1-05RBA20-30	3110145556521		72-61-30	01	060	1
9606490202	VF0771	S19015-1-05RBA20-30	3110145556521		72-61-30	01	110	1
9606490501	VF0771	S19025-5-05RBA20	3110144697600		72-61-30	01	350A	1
9606490501	VF0771	S19025-5-05RBA20	3110144697600		72-61-30	01	360A	1
9606490801	VF0771	S19040/1-5RLA33-44	3110142845604		72-15-20	01	050	1
9606600107	VF0771	6001X7RBA16-23	3110144198422		72-61-30	01	300A	1
9606600107	VF0771	6001X7RBA16-23	3110144198422		72-61-30	01	400	1
9606600107	VF0771	6001X7RBA16-23	3110144198422		72-61-30	01	410	1
9606601003	VF0771	S6050X/9 05RLA30A45	3110146013366		72-61-20	01	130	1
9608000737	VF0673	AB13528S2			72-15-10	01	350B	1
9608000738	VF0673	NF13531S3			72-15-10	01	030C	1
9608000738	VF0673	NF13531S3			72-15-10	01	050C	1
9609000166	VF0771	SPX30/3-07RH3SA22	3110145556550		72-54-20	01	330	1
9609000486	VF0771	SPX30/14 07RH3SA30			72-32-10	01	210	1
9609000486	VF0771	SPX30/14 07RH3SA30			72-32-10	01	430	1
9609000488	VF0771	CSNFX35/5-05RH3SA2			72-15-10	01	030	1
9609000488	VF0771	CSNFX35/5-05RH3SA2			72-15-10	01	050	1
9609000489	VF0771	CS6060X/8 05RBA35/45			72-15-10	01	350	1
9609000493	VF0771	CSNX28/4-05RH6SA20/30	3110145785125		72-43-00	02	110	1
9609000514	VF0771	CSNUX55/11 05RLA S/BI			72-15-20	01	200	1
9609000521	VF0771	CSNL35/18 05RH1BAS			72-15-10	01	180	1
9609000521	VF0771	CSNL35/18 05RH1BAS			72-15-10	01	190	1
9609000554	VF0771	SPB35/6 07RH3SA30			72-54-20	01	280	1
9609000585	VF0771	SP212/6-05RH1BA35			72-15-10	01	120	1
9609000594	VF0771	CSNL 35/1801 05RH1BAS/BI			72-15-10	01	180E	AD
9609000594	VF0771	CSNL 35/1801 05RH1BAS/BI			72-15-10	01	190E	AD
9609000619	VF0771	CSNFX 35/5A 05RH3SA25/35			72-15-10	01	030A	1
9609000619	VF0771	CSNFX 35/5A 05RH3SA25/35			72-15-10	01	050A	1
9609000623	VF0771	CSNL35/19A 05RH1BAS/BI			72-15-10	01	180A	1
9609000623	VF0771	CSNL35/19A 05RH1BAS/BI			72-15-10	01	190A	1

SAFRAN HELICOPTER ENGINES

ARRIEL 2 C1

ILLUSTRATED PARTS CATALOG

SAFRAN HELICOPTER ENGINES P/N	MANUFACTURER		NATO P/N	AIRLINE STOCK No.	CHAP. SECTION SUBJECT	FIG.	ITEM	QTY
	CODE	P/N						
9609000624	VF0771	CSNL 35/19-01			72-15-10	01	180B	1
9609000624	VF0771	CSNL 35/19-01			72-15-10	01	190B	1
9609000656	VF0673	XR13532S1			72-15-10	01	180D	1
9609000656	VF0673	XR13532S1			72-15-10	01	190D	1
9609000667	VF0771	CSNUX55/1101 05RLAS/BI			72-15-20	01	200A	1
9609000676	VF0771	CSNL35/21A			72-15-10	01	180C	1
9609000676	VF0771	CSNL35/21A			72-15-10	01	190C	1
9609000734	VF0771	RBC1-9946 A.01			72-15-10	01	180F	1
9609000734	VF0771	RBC1-9946 A.01			72-15-10	01	190F	1
9609000737	VF0771	BB1-9652 A.01			72-15-10	01	350A	1
9609000738	VF0771	BC1-9910			72-15-10	01	030B	1
9609000738	VF0771	BC1-9910			72-15-10	01	050B	1
9609000752	VF0771	BAQ-9737			72-32-10	01	210A	1
9609000752	VF0771	BAQ-9737			72-32-10	01	430A	1
9609000793	VF0771	RBC1-9946 A			72-15-10	01	180G	1
9609000793	VF0771	RBC1-9946 A			72-15-10	01	190G	1
9609000794	VF0771	RBC1-9946 B			72-15-10	01	180H	1
9609000794	VF0771	RBC1-9946 B			72-15-10	01	190H	1
9681500404			5331144008189		79-24-00	01	015	1
9681500404			5331144008189		79-24-00	01	017	1
9681500404			5331144008189		79-24-00	01	019	1
9681500504			5331144008190		72-61-00	01	020	1
9681501054			5331144008193		72-61-10	01	100	1
9681501153			5331144215611		72-61-10	01	110	1
9681501404			5331144008194		72-61-40	01	040	1
9681503502			5331145537478		72-61-30	01	020	1
9681505002			5331145556157		72-32-10	01	480	1
9681506552			5331144008197		72-15-20	01	240	1
9681508502			5331144008200		72-00-00	01	290	2
9681801082			5331143827606		72-15-00	01	120	2
9681801082			5331143827606		72-61-00	01	160	2
9681801222			5331143957057		77-12-00	01	040	3
9681900573			5331143938330		72-43-00	01	330	2
9682000852			5331143938281		72-00-00	01	270	2
9682001003			5331143885777		72-15-00	02	110	2
9682001372			5331144008204		72-61-00	01	090	1
9682001372			5331144008204		72-61-00	01	120	1
9682003092			5331144008207		72-00-00	01	180	1
9682004004			5331143938331		72-61-00	01	380	1
9682004403			5331143919896		72-61-00	02	100	1
9682006962			5331145556167		72-32-10	01	130	1
9682011203			5331144008209		72-61-20	01	180	1
9682011652			5331144142830		72-61-10	01	050	1
9682013102			5331144008210		72-00-00	01	340	1
9682030003			5331145556168		72-61-30	01	470	1
9682129152			5331145556169		72-15-30	01	010	1
9682503092			5331144008211		72-61-20	01	230	1
9682504402			5331144008212		72-61-20	01	190	1
9682508403			5331144008214		72-00-00	01	280	1
9728030503	VF1699	01329030501	5325143865997		72-32-10	01	402	1
9728050803	VI9005	EN2944-050075	5325145348349		72-32-10	02	020	1
9728050803	VI9005	EN2944-050075	5325145348349		72-43-10	02	040	6
9728050803	VI9005	EN2944-050075	5325145348349		72-43-20	01	056	27
9728050803	VI9005	EN2944-050075	5325145348349		72-61-00	01	502	2
9728050803	VI9005	EN2944-050075	5325145348349		72-61-10	01	026	2

Numerical index of Safran Helicopter Engines part numbers

SAFRAN HELICOPTER ENGINES

ARRIEL 2 C1

ILLUSTRATED PARTS CATALOG

SAFRAN HELICOPTER ENGINES P/N	MANUFACTURER		NATO P/N	AIRLINE STOCK No.	CHAP. SECTION SUBJECT	FIG.	ITEM	QTY
	CODE	P/N						
9728050804	VI9005	EN2944-050100	5325144128967		72-15-20	02	010	14
9728050804	VI9005	EN2944-050100	5325144128967		72-15-20	02	010A	19
9728050804	VI9005	EN2944-050100	5325144128967		72-15-30	02	070	51
9728050804	VI9005	EN2944-050100	5325144128967		72-15-30	02	070A	54
9728050804	VI9005	EN2944-050100	5325144128967		72-15-30	02	070B	52
9728050804	VI9005	EN2944-050100	5325144128967		72-54-20	01	202	3
9728050804	VI9005	EN2944-050100	5325144128967		72-61-40	01	105	12
9728050804	VI9005	EN2944-050100	5325144128967		72-61-50	01	020	7
9728050804	VI9005	EN2944-050100	5325144128967		72-61-50	01	130	42
9728050804	VI9005	EN2944-050100	5325144128967		72-61-50	01	130A	41
9728050804	VI9005	EN2944-050100	5325144128967		72-61-50	01	260	50
9728050804	VI9005	EN2944-050100	5325144128967		72-61-50	01	260A	47
9728050804	VI9005	EN2944-050100	5325144128967		72-61-50	01	260B	49
9728050805	VI9005	EN2944-050125	5325144128968		72-00-00	01	152	1
9728061004	VI9005	EN2944-060120	5325144128971		72-61-50	01	030	4
9728071004	VI9005	EN2944-070140	5325144125588		72-15-20	02	020	6
9729105082	VI9005	EN3542-050063	5325123891779		72-43-00	02	175	14
9729105082	VI9005	EN3542-050063	5325123891779		72-43-00	03	010	6
9729105082	VI9005	EN3542-050063	5325123891779		72-43-00	03	010A	4
9729105082	VI9005	EN3542-050063	5325123891779		72-43-30	01	155A	9
9729105082	VI9005	EN3542-050063	5325123891779		72-43-40	01	110A	32
9729105082	VI9005	EN3542-050063	5325123891779		72-43-40	01	110C	32
9729105083	VI9005	EN3542-050075	5325144290271		72-43-00	03	020	14
9729105083	VI9005	EN3542-050075	5325144290271		72-43-30	01	155	9
9729105083	VI9005	EN3542-050075	5325144290271		72-43-40	01	110	32
9729105083	VI9005	EN3542-050075	5325144290271		72-54-20	01	402	2
9729107101			5325145785013		72-43-10	02	030	1
9740050022			5365143072042		72-15-00	02	060	34
9740050022			5365143072042		72-15-00	02	084	2
9740050022			5365143072042		72-15-20	01	074	1
9740050022			5365143072042		72-15-20	01	270	AR
9740050022			5365143072042		72-15-30	01	024	2
9740050022			5365143072042		72-15-30	01	104	2
9740120022			5310145556223		72-15-30	01	060	1
9744019100	VD8286	DIN472_19x1_1	5325143179851		72-61-40	01	010	1
9744028100	VD8286	DIN472_28x1.2_1	5325142009983		72-61-30	01	100	1
9744038100	VD8286	DIN472_38x1.5_1	5325142131949		72-61-20	01	210	2
9744062100	VD8286	DIN472_62x2_1	5325142853979		72-15-20	01	040	1
9745006005			5325142280893		72-61-50	01	235	1
9745007005			5325140400493		72-15-30	02	012	1
9745007005			5325140400493		72-15-30	02	032	1
9745007005			5325140400493		72-15-30	02	052	1
9745007005			5325140400493		72-61-50	01	215	1
9745008005			5325140400494		72-61-20	01	032	3
9749045031			5310143970898		72-61-20	01	020	1
9752004044			5330142162794		72-43-00	01	360	1
9752005044			5330140100890		72-61-20	01	060	6
9752008044			5330140100897		72-15-20	02	050	1
9752100070			5330145785023		72-43-10	02	020	1
9752100080			5330140323858		73-19-00	01	370	2
9752100100			5330143451198		75-29-00	01	560	1
9752100100			5330143451198		75-31-00	01	080	1
9757030600			5315143216830		72-43-10	01	155	2
9757030800			5315140416496		72-15-30	02	080	1
9757051400			5315143259597		72-61-50	01	150	3

Numerical index of Safran Helicopter Engines part numbers

SAFRAN HELICOPTER ENGINES

ARRIEL 2 C1

ILLUSTRATED PARTS CATALOG

SAFRAN HELICOPTER ENGINES P/N	MANUFACTURER		NATO P/N	AIRLINE STOCK No.	CHAP. SECTION SUBJECT	FIG.	ITEM	QTY
	CODE	P/N						
9757206018	VI9005	EN3151-060018	5315145556438		72-43-20	01	053	3
9758250050					72-61-20	02	010	3
9758250050					72-61-20	02	010A	6
9779040039			5310142941729		72-15-20	02	040	1
9786510100			5365143934316		75-31-00	01	070	1
9789221500			5340142137579		71-91-00	01	100A	1
9789221500			5340142137579		71-91-00	01	200	1
9794080203			5331143790652		72-15-30	01	080	1
9794080203			5331143790652		75-31-00	01	100	1
9794080203			5331143790652		75-31-00	01	180	1
9794095203			5331143938283		72-00-00	01	360	2
9794095203			5331143938283		72-61-10	01	130	1
9794172203			5331143914142		72-00-00	01	350	1
9794172203			5331143914142		72-61-10	01	080	1
9794190253			5331143957143		72-15-00	01	140	1
9794190253			5331143957143		72-15-00	01	160	1
9794190253			5331143957143		72-61-00	01	180	1
9794190253			5331143957143		72-61-00	01	210	1
9794410056	VF0111	46012A00560	5331144191015		71-71-00	01	040	1
9794410056	VF0111	46012A00560	5331144191015		72-15-00	01	030	1
9794410056	VF0111	46012A00560	5331144191015		72-15-00	01	080	1
9794410056	VF0111	46012A00560	5331144191015		72-61-00	01	320	1
9794410056	VF0111	46012A00560	5331144191015		73-19-00	01	320	1
9794410056	VF0111	46012A00560	5331144191015		73-19-00	01	440	1
9794410056	VF0111	46012A00560	5331144191015		75-29-00	01	440	1
9794410056	VF0111	46012A00560	5331144191015		75-29-00	01	490	1
9794410056	VF0111	46012A00560	5331144191015		79-29-00	01	030	1
9794410056	VF0111	46012A00560	5331144191015		79-29-00	01	230	2
9794410060	VF0111	46012A00600	5331144819116		72-32-10	01	360	1
9794410060	VF0111	46012A00600	5331144819116		72-61-00	01	144	1
9794410069	VF0111	46012A00690	5331144290275		72-15-00	01	104	1
9794410075	VF0111	46012A00750	5331144191016		71-71-00	01	180	1
9794410075	VF0111	46012A00750	5331144191016		72-15-00	01	094	1
9794410075	VF0111	46012A00750	5331144191016		72-61-00	01	134	1
9794410075	VF0111	46012A00750	5331144191016		73-19-00	01	040	1
9794410075	VF0111	46012A00750	5331144191016		79-29-00	01	080	1
9794410075	VF0111	46012A00750	5331144191016		79-29-00	01	090	1
9794410075	VF0111	46012A00750	5331144191016		79-29-00	01	140	2
9794410075	VF0111	46012A00750	5331144191016		79-29-00	01	140A	1
9794410075	VF0111	46012A00750	5331144191016		79-29-00	01	180	1
9794410085	VF0111	46012A00850	5331145249967		71-71-00	01	140	1
9794410088	VF0111	46012A00875	5331144677666		72-00-00	01	270A	2
9794410095	VF0111	46012A00950	5331144191017		72-61-00	01	780	1
9794410095	VF0111	46012A00950	5331144191017		73-19-00	01	570	1
9794410095	VF0111	46012A00950	5331144191017		73-19-00	01	580	1
9794410095	VF0111	46012A00950	5331144191017		73-19-00	01	630	1
9794410095	VF0111	46012A00950	5331144191017		73-19-00	01	640	1
9794410100	VF0111	46012A01000	5331144290277		79-31-00	01	030	1
9794410106	VF0111	46012A01060	5331144677668		72-15-30	01	090	1
9794410106	VF0111	46012A01060	5331144677668		79-25-00	01	030	1
9794410125	VF0111	46012A01250	5331144677669		72-61-00	01	480	1
9794410125	VF0111	46012A01250	5331144677669		79-25-00	01	040	1
9794410132	VF0111	46012A01320	5331144308930		73-19-00	01	030	1
9794410140	VF0111	46012A01400	5331144435923		72-61-00	01	720	1
9794410140	VF0111	46012A01400	5331144435923		72-61-00	01	750	1

Numerical index of Safran Helicopter Engines part numbers

SAFRAN HELICOPTER ENGINES

ARRIEL 2 C1

ILLUSTRATED PARTS CATALOG

SAFRAN HELICOPTER ENGINES P/N	MANUFACTURER		NATO P/N	AIRLINE STOCK No.	CHAP. SECTION SUBJECT	FIG.	ITEM	QTY
	CODE	P/N						
9794410140	VF0111	46012A01400	5331144435923		72-61-00	01	910	1
9794410140	VF0111	46012A01400	5331144435923		72-61-00	01	960	1
9794410140	VF0111	46012A01400	5331144435923		72-61-00	02	050	1
9794410140	VF0111	46012A01400	5331144435923		77-11-00	01	040	1
9794410150	VF0111	46012A01500	5331144191018		79-24-00	01	130	1
9794410150	VF0111	46012A01500	5331144191018		79-25-00	01	130	1
9794410150	VF0111	46012A01500	5331144191018		79-29-00	01	340	1
9794410150	VF0111	46012A01500	5331144191018		79-29-00	01	430	1
9794410180	VF0111	46012A01800	5331144677671		72-61-00	01	473A	1
9794410180	VF0111	46012A01800	5331144677671		72-61-00	01	490	1
9794410180	VF0111	46012A01800	5331144677671		72-61-00	02	060	1
9794410236	VF0111	46012A02360	5331144364441		79-38-00	01	050	1
9794410355	VF0111	46012A03550	5331144677674		72-61-00	01	420	1
9794410365	VF0111	46012A03650	5331144695964		72-61-00	01	430	1
9794410500	VF0111	46012A05000	5331144191020		72-61-00	01	690	1
9794410630	VF0111	46012A06300	5331144677676		72-15-20	01	030	1
9794420080	VF0111	46012B00800	5331145228795		79-38-00	01	032	1
9794420236	VF0111	46012B02360	5331145561055		72-61-00	01	580	1
9794420315	VF0111	46012B03150	5331145545821		72-61-20	01	230A	1
9794420400	VF0111	46012B04000	5331144755303		72-61-00	01	510	1
9794420487	VF0111	46012B04870	5331145782889		72-61-00	01	570	1
9794420560	VF0111	46012B05600	5331144191021		72-61-00	01	620	1
9794420580	VF0111	46012B05800	5331145785031		72-61-00	01	610	1
9794430250	VF0111	46012C02500	5331145067158		72-61-00	01	530	2
9801041814	VF0111	22125BC040018L	5305143024436		72-43-00	01	302	2
9806051225	VF0111	22145CM050012E	5305143728162		72-43-00	01	462	4
9806051425	VF0111	22145CM050014E	5305143678290		72-43-00	01	552	4
9817051414	VF0111	22209BC050014L	5305143249442		72-61-30	01	010	4
9836005010	VI9005	EN2928-050010	5306145207002		77-21-00	01	012	4
9836005010	VI9005	EN2928-050010	5306145207002		77-21-00	01	032	4
9836005016	VI9005	EN2928-050016	5306144677685		72-43-20	01	020	10
9836405012	VI9005	EN3686050012	5306144695978		26-11-00	01	052A	2
9836405012	VI9005	EN3686050012	5306144695978		71-41-00	01	010	3
9836405012	VI9005	EN3686050012	5306144695978		71-51-00	01	048	1
9836405012	VI9005	EN3686050012	5306144695978		71-51-00	01	058	1
9836405012	VI9005	EN3686050012	5306144695978		71-51-00	01	064	1
9836405012	VI9005	EN3686050012	5306144695978		71-51-00	01	068	1
9836405012	VI9005	EN3686050012	5306144695978		71-51-00	01	078	1
9836405012	VI9005	EN3686050012	5306144695978		71-51-00	01	088	1
9836405012	VI9005	EN3686050012	5306144695978		71-51-00	01	092	1
9836405012	VI9005	EN3686050012	5306144695978		71-51-00	01	152	1
9836405012	VI9005	EN3686050012	5306144695978		71-71-00	01	072	2
9836405012	VI9005	EN3686050012	5306144695978		72-54-20	01	100	3
9836405012	VI9005	EN3686050012	5306144695978		72-61-00	01	462	2
9836405012	VI9005	EN3686050012	5306144695978		74-11-10	01	012	4
9836405012	VI9005	EN3686050012	5306144695978		75-29-00	01	202	2
9836405012	VI9005	EN3686050012	5306144695978		75-29-00	01	252	2
9836405012	VI9005	EN3686050012	5306144695978		75-29-00	01	454	1
9836405012	VI9005	EN3686050012	5306144695978		75-29-00	01	503	2
9836405012	VI9005	EN3686050012	5306144695978		79-29-00	01	302A	1
9836405014	VI9005	EN3686050014	5306144677687		26-11-00	01	012	3
9836405014	VI9005	EN3686050014	5306144677687		26-11-00	01	052	2
9836405014	VI9005	EN3686050014	5306144677687		26-11-00	01	102	3
9836405014	VI9005	EN3686050014	5306144677687		26-11-00	01	202	3
9836405014	VI9005	EN3686050014	5306144677687		71-71-00	01	012	1

SAFRAN HELICOPTER ENGINES

ARRIEL 2 C1

ILLUSTRATED PARTS CATALOG

SAFRAN HELICOPTER ENGINES P/N	MANUFACTURER		NATO P/N	AIRLINE STOCK No.	CHAP. SECTION SUBJECT	FIG.	ITEM	QTY
	CODE	P/N						
9836405014	VI9005	EN3686050014	5306144677687		71-71-00	01	152	1
9836405014	VI9005	EN3686050014	5306144677687		71-71-00	01	164	2
9836405014	VI9005	EN3686050014	5306144677687		72-15-20	01	012	6
9836405014	VI9005	EN3686050014	5306144677687		72-32-10	01	320	1
9836405014	VI9005	EN3686050014	5306144677687		72-32-10	01	490	3
9836405014	VI9005	EN3686050014	5306144677687		72-43-00	01	612	2
9836405014	VI9005	EN3686050014	5306144677687		72-43-10	01	140	8
9836405014	VI9005	EN3686050014	5306144677687		72-61-00	01	072	1
9836405014	VI9005	EN3686050014	5306144677687		72-61-00	01	102	1
9836405014	VI9005	EN3686050014	5306144677687		72-61-00	01	402	1
9836405014	VI9005	EN3686050014	5306144677687		72-61-00	01	702	1
9836405014	VI9005	EN3686050014	5306144677687		72-61-00	01	732	1
9836405014	VI9005	EN3686050014	5306144677687		72-61-00	01	762	2
9836405014	VI9005	EN3686050014	5306144677687		72-61-00	01	832	2
9836405014	VI9005	EN3686050014	5306144677687		72-61-00	01	882	1
9836405014	VI9005	EN3686050014	5306144677687		72-61-00	01	942	1
9836405014	VI9005	EN3686050014	5306144677687		73-19-00	01	012	2
9836405014	VI9005	EN3686050014	5306144677687		73-19-00	01	014	2
9836405014	VI9005	EN3686050014	5306144677687		73-19-00	01	302	2
9836405014	VI9005	EN3686050014	5306144677687		73-19-00	01	402	2
9836405014	VI9005	EN3686050014	5306144677687		73-19-00	01	450	1
9836405014	VI9005	EN3686050014	5306144677687		73-19-00	01	552	4
9836405014	VI9005	EN3686050014	5306144677687		73-19-00	01	602	4
9836405014	VI9005	EN3686050014	5306144677687		75-29-00	01	012	2
9836405014	VI9005	EN3686050014	5306144677687		75-29-00	01	202A	2
9836405014	VI9005	EN3686050014	5306144677687		75-29-00	01	302	2
9836405014	VI9005	EN3686050014	5306144677687		75-29-00	01	402	2
9836405014	VI9005	EN3686050014	5306144677687		75-29-00	01	452	4
9836405014	VI9005	EN3686050014	5306144677687		75-29-00	01	502	2
9836405014	VI9005	EN3686050014	5306144677687		75-29-00	01	502A	1
9836405014	VI9005	EN3686050014	5306144677687		75-29-00	01	510	2
9836405014	VI9005	EN3686050014	5306144677687		77-11-00	01	012A	1
9836405014	VI9005	EN3686050014	5306144677687		77-12-00	01	012A	3
9836405014	VI9005	EN3686050014	5306144677687		77-12-00	01	017A	1
9836405014	VI9005	EN3686050014	5306144677687		77-12-00	01	022A	2
9836405014	VI9005	EN3686050014	5306144677687		77-21-00	01	034	1
9836405014	VI9005	EN3686050014	5306144677687		79-29-00	01	012	2
9836405014	VI9005	EN3686050014	5306144677687		79-29-00	01	054	2
9836405014	VI9005	EN3686050014	5306144677687		79-29-00	01	202B	2
9836405014	VI9005	EN3686050014	5306144677687		79-29-00	01	204	2
9836405014	VI9005	EN3686050014	5306144677687		79-29-00	01	302	1
9836405014	VI9005	EN3686050014	5306144677687		79-29-00	01	316	2
9836405014	VI9005	EN3686050014	5306144677687		79-38-00	01	012	2
9836405016	VI9005	EN3686050016	5306144695979		71-21-00	01	012	3
9836405016	VI9005	EN3686050016	5306144695979		72-00-00	01	300	8
9836405016	VI9005	EN3686050016	5306144695979		72-15-00	01	012	2
9836405016	VI9005	EN3686050016	5306144695979		72-15-00	01	052	2
9836405016	VI9005	EN3686050016	5306144695979		72-43-00	01	102	2
9836405016	VI9005	EN3686050016	5306144695979		72-43-00	01	152	2
9836405016	VI9005	EN3686050016	5306144695979		72-43-00	01	202	2
9836405016	VI9005	EN3686050016	5306144695979		72-43-00	02	125	2
9836405016	VI9005	EN3686050016	5306144695979		72-61-00	01	034	17
9836405016	VI9005	EN3686050016	5306144695979		72-61-00	01	302	2
9836405016	VI9005	EN3686050016	5306144695979		72-61-00	01	652	3
9836405016	VI9005	EN3686050016	5306144695979		72-61-00	02	020	3

Numerical index of Safran Helicopter Engines part numbers

SAFRAN HELICOPTER ENGINES

ARRIEL 2 C1

ILLUSTRATED PARTS CATALOG

SAFRAN HELICOPTER ENGINES P/N	MANUFACTURER		NATO P/N	AIRLINE STOCK No.	CHAP. SECTION SUBJECT	FIG.	ITEM	QTY
	CODE	P/N						
9836405016	VI9005	EN3686050016	5306144695979		72-61-10	01	010	23
9836405016	VI9005	EN3686050016	5306144695979		74-11-10	01	102	1
9836405016	VI9005	EN3686050016	5306144695979		75-41-00	01	012	2
9836405016	VI9005	EN3686050016	5306144695979		77-11-00	01	012	1
9836405016	VI9005	EN3686050016	5306144695979		77-12-00	01	012	3
9836405016	VI9005	EN3686050016	5306144695979		77-12-00	01	017	1
9836405016	VI9005	EN3686050016	5306144695979		77-12-00	01	022	2
9836405016	VI9005	EN3686050016	5306144695979		79-25-00	01	102	2
9836405016	VI9005	EN3686050016	5306144695979		79-29-00	01	152	2
9836405016	VI9005	EN3686050016	5306144695979		79-29-00	01	202	4
9836405016	VI9005	EN3686050016	5306144695979		79-29-00	01	202A	2
9836405016	VI9005	EN3686050016	5306144695979		79-29-00	01	402	2
9836405016	VI9005	EN3686050016	5306144695979		79-31-00	01	012	2
9836405018	VI9005	EN3686050018	5306144695980		71-21-00	01	012A	3
9836405018	VI9005	EN3686050018	5306144695980		71-71-00	01	014	1
9836405018	VI9005	EN3686050018	5306144695980		71-71-00	01	122	2
9836405018	VI9005	EN3686050018	5306144695980		72-00-00	01	220	27
9836405018	VI9005	EN3686050018	5306144695980		72-00-00	01	240	27
9836405018	VI9005	EN3686050018	5306144695980		72-15-00	02	080	8
9836405018	VI9005	EN3686050018	5306144695980		72-43-00	01	102A	2
9836405018	VI9005	EN3686050018	5306144695980		72-43-00	01	152A	2
9836405018	VI9005	EN3686050018	5306144695980		72-43-00	01	202A	2
9836405018	VI9005	EN3686050018	5306144695980		72-43-00	01	252	4
9836405018	VI9005	EN3686050018	5306144695980		72-43-00	02	010	28
9836405018	VI9005	EN3686050018	5306144695980		72-43-00	02	130	36
9836405018	VI9005	EN3686050018	5306144695980		72-43-00	02	130A	34
9836405018	VI9005	EN3686050018	5306144695980		72-43-00	02	150	3
9836405018	VI9005	EN3686050018	5306144695980		72-43-00	02	150A	2
9836405018	VI9005	EN3686050018	5306144695980		72-43-30	01	230	8
9836405018	VI9005	EN3686050018	5306144695980		72-61-30	01	172	1
9836405018	VI9005	EN3686050018	5306144695980		72-61-30	01	180	1
9836405020	VI9005	EN3686050020	5306144695981		26-11-00	01	252	2
9836405020	VI9005	EN3686050020	5306144695981		71-21-00	01	012B	3
9836405020	VI9005	EN3686050020	5306144695981		71-21-00	01	052	3
9836405020	VI9005	EN3686050020	5306144695981		72-43-00	02	270	32
9836405020	VI9005	EN3686050020	5306144695981		72-43-10	01	010	8
9836405020	VI9005	EN3686050020	5306144695981		72-54-20	01	160	9
9836405020	VI9005	EN3686050020	5306144695981		72-61-00	01	340	8
9836405020	VI9005	EN3686050020	5306144695981		72-61-00	02	090	8
9836405022	VI9005	EN3686050022	5306144707600		72-00-00	01	310	12
9836405022	VI9005	EN3686050022	5306144707600		72-54-20	01	150	3
9836405022	VI9005	EN3686050022	5306144707600		72-61-00	01	032	2
9836405022	VI9005	EN3686050022	5306144707600		72-61-30	01	170	22
9836405024	VI9005	EN3686050024	5306144710939		26-11-00	01	152	2
9836405024	VI9005	EN3686050024	5306144710939		72-15-00	02	070	22
9836405024	VI9005	EN3686050024	5306144710939		72-61-30	01	170A	22
9836405024	VI9005	EN3686050024	5306144710939		72-61-30	01	170B	21
9836405024	VI9005	EN3686050024	5306144710939		72-61-30	01	190	2
9836405026	VI9005	EN3686050026	5306144695982		72-43-00	02	270A	32
9836405026	VI9005	EN3686050026	5306144695982		72-61-20	01	050	6
9836405026	VI9005	EN3686050026	5306144695982		72-61-30	01	190A	2
9836405026	VI9005	EN3686050026	5306144695982		79-29-00	01	052	2
9836405034	VI9005	EN3686050034	5306144695984		72-15-30	01	102	2
9836405050	VI9005	EN3686050050	5306145677622		72-15-20	01	072	1
9836405050	VI9005	EN3686050050	5306145677622		79-25-00	01	012	3

SAFRAN HELICOPTER ENGINES

ARRIEL 2 C1

ILLUSTRATED PARTS CATALOG

SAFRAN HELICOPTER ENGINES P/N	MANUFACTURER		NATO P/N	AIRLINE STOCK No.	CHAP. SECTION SUBJECT	FIG.	ITEM	QTY
	CODE	P/N						
9836407018	VI9005	EN3686070018	5306145781829		72-15-20	01	212	6
9836505012	VI9005	EN3613-050012	5306996669703		72-43-10	01	190	6
9836505012	VI9005	EN3613-050012	5306996669703		72-70-00	01	010	2
9836505014	VI9005	EN3613-050014			72-15-20	01	250	1
9836505016	VI9005	EN3613-050016			72-15-10	01	300	4
9836505016	VI9005	EN3613-050016			72-15-20	01	112	3
9836505016	VI9005	EN3613-050016			72-15-20	01	112A	2
9836505016	VI9005	EN3613-050016			72-15-20	01	116	1
9836505016	VI9005	EN3613-050016			72-15-20	01	152	5
9836505016	VI9005	EN3613-050016			72-15-30	01	022	2
9836505016	VI9005	EN3613-050016			72-15-30	01	152	3
9836505018	VI9005	EN3613-050018			72-43-30	01	130	9
9836505030	VI9005	EN3613-050030			72-15-30	01	130	3
9836505034	VI9005	EN3613-050034			72-15-20	01	100	3
9840105014	VI9005	EN2940-050014	5305144695990		72-00-00	01	230	3
9847300800	VF0111	22294CE030008E	5305143690832		71-51-00	01	094	4
9847300800	VF0111	22294CE030008E	5305143690832		72-32-10	01	260	1
9866205025	VI9005	EN 2907-050	5310143790844		72-61-00	01	654	1
9866205026	VF0111	22526-050	5310143737064		26-11-00	01	154	2
9866205026	VI9005	EN2906-050	5310143737064		26-11-00	01	154	2
9866205026	VF0111	22526-050	5310143737064		26-11-00	01	254	2
9866205026	VI9005	EN2906-050	5310143737064		26-11-00	01	254	2
9866205026	VF0111	22526-050	5310143737064		71-51-00	01	046	2
9866205026	VI9005	EN2906-050	5310143737064		71-51-00	01	046	2
9866205026	VF0111	22526-050	5310143737064		71-51-00	01	080	1
9866205026	VI9005	EN2906-050	5310143737064		71-51-00	01	080	1
9866205026	VF0111	22526-050	5310143737064		71-51-00	01	090	1
9866205026	VI9005	EN2906-050	5310143737064		71-51-00	01	090	1
9866205026	VF0111	22526-050	5310143737064		71-71-00	01	154	1
9866205026	VI9005	EN2906-050	5310143737064		71-71-00	01	154	1
9866205026	VF0111	22526-050	5310143737064		72-15-00	02	050	26
9866205026	VI9005	EN2906-050	5310143737064		72-15-00	02	050	26
9866205026	VF0111	22526-050	5310143737064		72-15-00	02	082	2
9866205026	VI9005	EN2906-050	5310143737064		72-15-00	02	082	2
9866205026	VF0111	22526-050	5310143737064		72-43-00	01	070	1
9866205026	VI9005	EN2906-050	5310143737064		72-43-00	01	070	1
9866205026	VF0111	22526-050	5310143737064		72-43-00	01	070A	2
9866205026	VI9005	EN2906-050	5310143737064		72-43-00	01	070A	2
9866205026	VF0111	22526-050	5310143737064		72-43-00	01	254	4
9866205026	VI9005	EN2906-050	5310143737064		72-43-00	01	254	4
9866205026	VF0111	22526-050	5310143737064		72-43-00	02	030	28
9866205026	VI9005	EN2906-050	5310143737064		72-43-00	02	030	28
9866205026	VF0111	22526-050	5310143737064		72-43-00	02	120	36
9866205026	VI9005	EN2906-050	5310143737064		72-43-00	02	120	36
9866205026	VF0111	22526-050	5310143737064		72-43-00	02	135	3
9866205026	VI9005	EN2906-050	5310143737064		72-43-00	02	135	3
9866205026	VF0111	22526-050	5310143737064		72-43-00	02	135A	2
9866205026	VI9005	EN2906-050	5310143737064		72-43-00	02	135A	2
9866205026	VF0111	22526-050	5310143737064		72-43-10	01	130	8
9866205026	VI9005	EN2906-050	5310143737064		72-43-10	01	130	8
9866205026	VF0111	22526-050	5310143737064		72-43-20	01	010	10
9866205026	VI9005	EN2906-050	5310143737064		72-43-20	01	010	10
9866205026	VF0111	22526-050	5310143737064		72-43-30	01	210	8
9866205026	VI9005	EN2906-050	5310143737064		72-43-30	01	210	8
9866205026	VF0111	22526-050	5310143737064		72-54-20	01	130	12

SAFRAN HELICOPTER ENGINES

ARRIEL 2 C1

ILLUSTRATED PARTS CATALOG

SAFRAN HELICOPTER ENGINES P/N	MANUFACTURER		NATO P/N	AIRLINE STOCK No.	CHAP. SECTION SUBJECT	FIG.	ITEM	QTY
	CODE	P/N						
9866205026	VI9005	EN2906-050	5310143737064		72-54-20	01	130	12
9866205026	VF0111	22526-050	5310143737064		72-61-10	01	190	1
9866205026	VI9005	EN2906-050	5310143737064		72-61-10	01	190	1
9866205026	VF0111	22526-050	5310143737064		72-61-30	01	150	25
9866205026	VI9005	EN2906-050	5310143737064		72-61-30	01	150	25
9866205026	VF0111	22526-050	5310143737064		72-61-30	01	150A	23
9866205026	VI9005	EN2906-050	5310143737064		72-61-30	01	150A	23
9866205026	VF0111	22526-050	5310143737064		72-61-30	01	150B	22
9866205026	VI9005	EN2906-050	5310143737064		72-61-30	01	150B	22
9866205026	VF0111	22526-050	5310143737064		72-61-30	01	152	2
9866205026	VI9005	EN2906-050	5310143737064		72-61-30	01	152	2
9866205026	VF0111	22526-050	5310143737064		75-29-00	01	456	1
9866205026	VI9005	EN2906-050	5310143737064		75-29-00	01	456	1
9866205026	VF0111	22526-050	5310143737064		75-29-00	01	504	2
9866205026	VI9005	EN2906-050	5310143737064		75-29-00	01	504	2
9866205026	VF0111	22526-050	5310143737064		75-29-00	01	504A	3
9866205026	VI9005	EN2906-050	5310143737064		75-29-00	01	504A	3
9866205026	VF0111	22526-050	5310143737064		75-41-00	01	014	1
9866205026	VI9005	EN2906-050	5310143737064		75-41-00	01	014	1
9866205026	VF0111	22526-050	5310143737064		77-21-00	01	036	1
9866205026	VI9005	EN2906-050	5310143737064		77-21-00	01	036	1
9866205026	VF0111	22526-050	5310143737064		79-29-00	01	304	1
9866205026	VI9005	EN2906-050	5310143737064		79-29-00	01	304	1
9866305025	VI9005	EN2909-050	5310144745956		72-43-30	01	240	8
9867100400	VF0111	22541N040	5310142525969		72-43-00	01	304	2
9867201000			5310143957071		75-31-00	01	110	1
9867400070	VI9005	EN3014-070	5310144793112		72-61-00	01	050	10
9867500500	VI9005	EN3377-050	5310144290263		71-21-00	01	014	3
9867500500	VI9005	EN3377-050	5310144290263		72-00-00	01	250	27
9867500500	VI9005	EN3377-050	5310144290263		72-61-30	01	154	1
9867500501	VI9005	EN3196-050	5310142663870		75-31-00	01	054	1
9867600050	VI9005	EN2910-050	5310145659029		72-43-00	02	055	3
9867600050	VI9005	EN2910-050	5310145659029		72-43-10	02	010	8
9867600050	VI9005	EN2910-050	5310145659029		72-43-40	01	110B	32
9867700050	VI9005	EN3240-050	5310145023608		71-41-00	01	020	3
9867700050	VI9005	EN3240-050	5310145023608		71-51-00	01	070	1
9867700050	VI9005	EN3240-050	5310145023608		71-51-00	01	130	2
9867700050	VI9005	EN3240-050	5310145023608		71-51-00	01	154	1
9867700050	VI9005	EN3240-050	5310145023608		72-61-00	01	862	2
9867700050	VI9005	EN3240-050	5310145023608		73-19-00	01	485	1
9879045028			5310143180080		72-61-20	01	010	1
9880054025			5365144091147		72-54-20	01	030	1
9880300012	VI9005	EN3295-012			72-15-10	01	090	1
9880300012	VI9005	EN3295-012			72-15-30	01	050	1
9880300014	VI9005	EN3295-014	5310144737436		72-43-00	02	090	1
9880300014	VI9005	EN3295-014	5310144737436		72-61-30	01	030	1
9880300035	VI9005	EN3295-035	5310145741105		72-15-10	01	020	1
9880310035	VI9005	EN3728-035			72-15-10	01	040	1
9880400012					72-15-10	01	090A	1
9880400012					72-15-30	01	050A	1
9880400014			5310145223931		72-43-00	02	090A	1
9880400014			5310145223931		72-61-30	01	030A	1
9880400035			5310145304835		72-15-10	01	020A	1
9880400060					72-15-10	01	320	1
9880410035					72-15-10	01	040A	1

SAFRAN HELICOPTER ENGINES

ARRIEL 2 C1

ILLUSTRATED PARTS CATALOG

SAFRAN HELICOPTER ENGINES P/N	MANUFACTURER		NATO P/N	AIRLINE STOCK No.	CHAP. SECTION SUBJECT	FIG.	ITEM	QTY
	CODE	P/N						
9880500060					72-15-10	01	320A	1
9892100070			5365143760363		72-15-00	01	150	1
9892100070			5365143760363		72-61-00	01	200	1
9897050031			5365143525941		72-15-20	02	080	3
9897100500			5365145059180		72-54-20	01	408	1
9898080524			2915143151697		72-15-20	02	070	1
9898080524			2915143151697		72-61-50	01	250	1
9898330100					72-54-20	01	404	2
9932307060			4730143653264		79-29-00	01	070	1
9936300600			4730143920993		75-29-00	01	550	1
9943800060			4730144844271		72-15-00	01	010	1
9943800060			4730144844271		72-15-00	01	050	1
9943800060			4730144844271		72-61-00	01	300	1
9945000060			5330144677689		75-29-00	01	030	1
9945000060			5330144677689		75-29-00	01	230	1
9945000060			5330144677689		75-29-00	01	320	1
9945000060			5330144677689		75-29-00	01	430	1
9945000060			5330144677689		75-29-00	01	480	1
9945000060			5330144677689		75-29-00	01	530	1
9945000120			5330144677691		71-71-00	01	090	1
9945000120			5330144677691		72-43-00	01	620	1
9945000120			5330144677691		75-29-00	01	280	1
9945300060			4730144704177		75-29-00	01	200	1
9945300060			4730144704177		75-29-00	01	300	1
9945300120			4920145782675		72-43-00	01	610	1
9945300120			4920145782675		75-29-00	01	250	1
9960240421	VF0111	21215CA2404	5320143388388		72-32-10	02	030	6
9961240521	VF0111	21217CA2405	5320143497329		72-70-00	01	220	14
9961240621	VF0111	21217CA2406	5320143078869		72-00-00	01	134	4
9961240621	VF0111	21217CA2406	5320143078869		73-14-00	01	102	6
9961240621	VF0111	21217CA2406	5320143078869		74-11-10	01	122	10
9975050024	VF0111	23112CF050	5310142828691		72-15-10	01	310	4
9975050024	VF0111	23112CF050	5310142828691		72-15-20	01	154	5
9975050024	VF0111	23112CF050	5310142828691		72-15-20	01	260	AR
9975050024	VF0111	23112CF050	5310142828691		72-43-00	01	080	1
9975050024	VF0111	23112CF050	5310142828691		72-43-00	01	080A	2
9975050024	VF0111	23112CF050	5310142828691		72-43-00	02	020	3
9975050024	VF0111	23112CF050	5310142828691		72-43-00	02	140	3
9975050024	VF0111	23112CF050	5310142828691		72-43-00	02	140A	2
9975050024	VF0111	23112CF050	5310142828691		72-43-30	01	220	8
9975050024	VF0111	23112CF050	5310142828691		72-43-30	01	250	8
9975050024	VF0111	23112CF050	5310142828691		72-54-20	01	140	3
9975050024	VF0111	23112CF050	5310142828691		72-70-00	01	030	2
9975050024	VF0111	23112CF050	5310142828691		74-11-10	01	104	1
9975050024	VF0111	23112CF050	5310142828691		75-29-00	01	458	1
9975050024	VF0111	23112CF050	5310142828691		79-25-00	01	014	2
9975050024	VF0111	23112CF050	5310142828691		79-29-00	01	306	1
9975070024			5310142941801		72-15-20	01	214	6
9975070024			5310142941801		72-43-30	01	270	8
9994050024			5365143180082		72-32-10	01	335A	1
9994050024			5365143180082		72-32-10	01	340	1
9997405001	VF0111	23320CA050	9505142649843		79-29-00	01	102	AR
9997405001	VF0111	23320CA050	9505142649843		79-29-00	01	154	AR
9998050021	VF0111	23350CA050	5310142095595		71-41-00	01	054	1
9998050021	VF0111	23350CA050	5310142095595		71-51-00	01	104	1

Numerical index of Safran Helicopter Engines part numbers

SAFRAN HELICOPTER ENGINES

ARRIEL 2 C1

ILLUSTRATED PARTS CATALOG

SAFRAN HELICOPTER ENGINES P/N	MANUFACTURER		NATO P/N	AIRLINE STOCK No.	CHAP. SECTION SUBJECT	FIG.	ITEM	QTY
	CODE	P/N						
9998050021	VF0111	23350CA050	5310142095595		71-51-00	01	144	1
9998050021	VF0111	23350CA050	5310142095595		72-43-00	01	464	4
9998050021	VF0111	23350CA050	5310142095595		72-43-00	01	554	4
9998050021	VF0111	23350CA050	5310142095595		72-61-00	01	252	1
9998050021	VF0111	23350CA050	5310142095595		72-61-00	01	855	1
9998050021	VF0111	23350CA050	5310142095595		73-23-00	01	022	1
TM0206G001					71-91-00	01	180	1
TM0206G003			4920145823645		71-91-00	01	180A	1
TM1034G001			4920145316246		71-91-00	01	060A	1
TM1603G001					71-91-00	01	230	1

Numerical index of Safran Helicopter Engines part numbers

ALPHANUMERICAL INDEX OF MANUFACTURER PART NUMBERS

MANUFACTURER		SAFRAN HELICOPTER ENGINES P/N	NATO P/N	AIRLINE STOCK No.	CHAP. SECTION SUBJECT	FIG.	ITEM	QTY
P/N	CODE							
01325164009	VF1699	0000190420	4730145229693		79-29-00	01	112	1
01329030501	VF1699	9728030503	5325143865997		72-32-10	01	402	1
01329144001	VF1699	0000190050	5325145998432		79-29-00	01	112A	1
021-517	V04171	9560116010			72-61-00	01	393	1
021-517	V04171	9560116010			72-61-00	01	443	1
026-517	V04171	9560116020			72-61-00	01	394	1
026-517	V04171	9560116020			72-61-00	01	444	1
07550200105559A	VF0559	9520011820	5365145462546		72-61-00	01	471	1
07550200106559A	VF0559	9520011819	5365145462545		72-61-00	01	470	1
1008500	VF0562	9560176520			72-43-20	01	100A	1
11N6	VF0215	9560154770	5340143668631		75-29-00	01	506	2
11N6	VF0215	9560154770	5340143668631		75-29-00	01	506A	3
1354000	VF1976	9550178680	2840145351279		75-31-00	01	050C	1
140-517	V04171	9560140340			72-61-20	01	123	1
140-547	V04171	9560156580	5331016237068		72-61-20	01	123B	1
140-567	V04171	9560142440	5331016237068		72-61-20	01	123A	1
1409-000	VF1976	9550165760	6695145209141		72-61-00	01	880	1
1409-000	VF1976	9550165760	6695145209141		77-11-00	01	010	1
1424-000	VF1976	9550168670	6695145782791		77-12-00	01	010	3
146-547	V04171	9560156880	5331016237071		72-61-20	01	124B	1
146-567	V04171	9560142450	5331016237071		72-61-20	01	124A	1
146517	V04171	9560140350			72-61-20	01	124	1
1604-000	VF1976	9550177360	6680145778934		77-12-00	01	010C	3
1604-000	VF1976	9550177360	6680145778934		77-12-00	01	015	1
1604-000	VF1976	9550177360	6680145778934		77-12-00	01	020	2
1604-300	VF1976	9550177390	6680145342774		72-61-00	01	880A	1
1604-300	VF1976	9550177390	6680145342774		77-11-00	01	010A	1
1604000-01	VF1976	9550179160	6680145778935		77-12-00	01	010D	3
1604300-01	VF1976	9550179190	6680145424087		72-61-00	01	880B	1
1604300-01	VF1976	9550179190	6680145424087		77-11-00	01	010B	1
19637	V04319	9560160280			72-54-20	01	180	1
21215CA2404	VF0111	9960240421	5320143388388		72-32-10	02	030	6
21217CA2405	VF0111	9961240521	5320143497329		72-70-00	01	220	14
21217CA2406	VF0111	9961240621	5320143078869		72-00-00	01	134	4
21217CA2406	VF0111	9961240621	5320143078869		73-14-00	01	102	6
21217CA2406	VF0111	9961240621	5320143078869		74-11-10	01	122	10
21F15	VF0215	9560151220	5340144192195		71-51-00	01	054	1
21F19	VF0215	9560151240	5340144192197		71-51-00	01	060	1
21F6	VF0215	9562811300	5340144112406		71-51-00	01	076	1
21F9,5	VF0215	9562811260	5340145172142		77-21-00	01	016	1
21F9,5	VF0215	9562811260	5340145172142		77-21-00	01	038	1
22125BC040018L	VF0111	9801041814	5305143024436		72-43-00	01	302	2
22145CM050012E	VF0111	9806051225	5305143728162		72-43-00	01	462	4
22145CM050014E	VF0111	9806051425	5305143678290		72-43-00	01	552	4
22209BC050014L	VF0111	9817051414	5305143249442		72-61-30	01	010	4
22294CE030008E	VF0111	9847300800	5305143690832		71-51-00	01	094	4
22294CE030008E	VF0111	9847300800	5305143690832		72-32-10	01	260	1
22526-050	VF0111	9866205026	5310143737064		26-11-00	01	154	2
22526-050	VF0111	9866205026	5310143737064		26-11-00	01	254	2
22526-050	VF0111	9866205026	5310143737064		71-51-00	01	046	2
22526-050	VF0111	9866205026	5310143737064		71-51-00	01	080	1
22526-050	VF0111	9866205026	5310143737064		71-51-00	01	090	1

SAFRAN HELICOPTER ENGINES

ARRIEL 2 C1

ILLUSTRATED PARTS CATALOG

MANUFACTURER		SAFRAN HELICOPTER ENGINES P/N	NATO P/N	AIRLINE STOCK No.	CHAP. SECTION SUBJECT	FIG.	ITEM	QTY
P/N	CODE							
22526-050	VF0111	9866205026	5310143737064		71-71-00	01	154	1
22526-050	VF0111	9866205026	5310143737064		72-15-00	02	050	26
22526-050	VF0111	9866205026	5310143737064		72-15-00	02	082	2
22526-050	VF0111	9866205026	5310143737064		72-43-00	01	070	1
22526-050	VF0111	9866205026	5310143737064		72-43-00	01	070A	2
22526-050	VF0111	9866205026	5310143737064		72-43-00	01	254	4
22526-050	VF0111	9866205026	5310143737064		72-43-00	02	030	28
22526-050	VF0111	9866205026	5310143737064		72-43-00	02	120	36
22526-050	VF0111	9866205026	5310143737064		72-43-00	02	135	3
22526-050	VF0111	9866205026	5310143737064		72-43-00	02	135A	2
22526-050	VF0111	9866205026	5310143737064		72-43-10	01	130	8
22526-050	VF0111	9866205026	5310143737064		72-43-20	01	010	10
22526-050	VF0111	9866205026	5310143737064		72-43-30	01	210	8
22526-050	VF0111	9866205026	5310143737064		72-54-20	01	130	12
22526-050	VF0111	9866205026	5310143737064		72-61-10	01	190	1
22526-050	VF0111	9866205026	5310143737064		72-61-30	01	150	25
22526-050	VF0111	9866205026	5310143737064		72-61-30	01	150A	23
22526-050	VF0111	9866205026	5310143737064		72-61-30	01	150B	22
22526-050	VF0111	9866205026	5310143737064		72-61-30	01	152	2
22526-050	VF0111	9866205026	5310143737064		75-29-00	01	456	1
22526-050	VF0111	9866205026	5310143737064		75-29-00	01	504	2
22526-050	VF0111	9866205026	5310143737064		75-29-00	01	504A	3
22526-050	VF0111	9866205026	5310143737064		75-41-00	01	014	1
22526-050	VF0111	9866205026	5310143737064		77-21-00	01	036	1
22526-050	VF0111	9866205026	5310143737064		79-29-00	01	304	1
22541N040	VF0111	9867100400	5310142525969		72-43-00	01	304	2
228500-2	VF0562	9560165770			72-43-20	01	100	1
23112CF050	VF0111	9975050024	5310142828691		72-15-10	01	310	4
23112CF050	VF0111	9975050024	5310142828691		72-15-20	01	154	5
23112CF050	VF0111	9975050024	5310142828691		72-15-20	01	260	AR
23112CF050	VF0111	9975050024	5310142828691		72-43-00	01	080	1
23112CF050	VF0111	9975050024	5310142828691		72-43-00	01	080A	2
23112CF050	VF0111	9975050024	5310142828691		72-43-00	02	020	3
23112CF050	VF0111	9975050024	5310142828691		72-43-00	02	140	3
23112CF050	VF0111	9975050024	5310142828691		72-43-00	02	140A	2
23112CF050	VF0111	9975050024	5310142828691		72-43-30	01	220	8
23112CF050	VF0111	9975050024	5310142828691		72-43-30	01	250	8
23112CF050	VF0111	9975050024	5310142828691		72-54-20	01	140	3
23112CF050	VF0111	9975050024	5310142828691		72-70-00	01	030	2
23112CF050	VF0111	9975050024	5310142828691		74-11-10	01	104	1
23112CF050	VF0111	9975050024	5310142828691		75-29-00	01	458	1
23112CF050	VF0111	9975050024	5310142828691		79-25-00	01	014	2
23112CF050	VF0111	9975050024	5310142828691		79-29-00	01	306	1
23320CA050	VF0111	9997405001	9505142649843		79-29-00	01	102	AR
23320CA050	VF0111	9997405001	9505142649843		79-29-00	01	154	AR
23350CA050	VF0111	9998050021	5310142095595		71-41-00	01	054	1
23350CA050	VF0111	9998050021	5310142095595		71-51-00	01	104	1
23350CA050	VF0111	9998050021	5310142095595		71-51-00	01	144	1
23350CA050	VF0111	9998050021	5310142095595		72-43-00	01	464	4
23350CA050	VF0111	9998050021	5310142095595		72-43-00	01	554	4
23350CA050	VF0111	9998050021	5310142095595		72-61-00	01	252	1
23350CA050	VF0111	9998050021	5310142095595		72-61-00	01	855	1
23350CA050	VF0111	9998050021	5310142095595		73-23-00	01	022	1
236105	VFB797	9560165550			72-54-20	01	300	1
28460	VF0183	9560167230	5365145784968		72-61-00	01	900	1

Alphanumerical index of manufacturer part numbers

00-00-41

Page 2
June 15/2023

SAFRAN HELICOPTER ENGINES

ARRIEL 2 C1

ILLUSTRATED PARTS CATALOG

MANUFACTURER		SAFRAN HELICOPTER ENGINES P/N	NATO P/N	AIRLINE STOCK No.	CHAP. SECTION SUBJECT	FIG.	ITEM	QTY
P/N	CODE							
3-12ZA00-921	VF1253	9560166810	5330145782858		72-43-00	01	130	1
3-12ZA00-921	VF1253	9560166810	5330145782858		72-43-00	01	180	1
3-12ZA00-921	VF1253	9560166810	5330145782858		72-43-00	01	230	1
30004937	VFA3W9	9560177240	5330145998427		72-43-00	01	110	1
30004937	VFA3W9	9560177240	5330145998427		72-43-00	01	160	1
30004937	VFA3W9	9560177240	5330145998427		72-43-00	01	210	1
3100-0113	VF5496	9550004800	7510016227433		74-11-10	01	011	1
3162-300	VF1976	9550158250	4820144334965		75-31-00	01	050	1
32059001	VFA3W9	9560171170	5365145287710		72-15-00	01	090	1
32059001	VFA3W9	9560171170	5365145287710		72-61-00	01	130	1
32059101	VFA3W9	9520011653	2995145319525		72-15-00	01	096	1
32059101	VFA3W9	9520011653	2995145319525		72-61-00	01	136	1
32069101	VFA3W9	9520011655	5365145290562		72-15-00	01	092	1
32069101	VFA3W9	9520011655	5365145290562		72-61-00	01	132	1
32129001	VFA3W9	9550177620			72-15-00	01	100	1
32129101	VFA3W9	9520011691			72-15-00	01	102	1
32129201	VFA3W9	9520011692			72-15-00	01	106	1
388Z-05644	VS3866	9550000100	6680145823700		77-12-00	01	010F	3
40EB03	VFANU6	9550002500	2840145782888		75-31-00	01	050B	1
46012A00560	VF0111	9794410056	5331144191015		71-71-00	01	040	1
46012A00560	VF0111	9794410056	5331144191015		72-15-00	01	030	1
46012A00560	VF0111	9794410056	5331144191015		72-15-00	01	080	1
46012A00560	VF0111	9794410056	5331144191015		72-61-00	01	320	1
46012A00560	VF0111	9794410056	5331144191015		73-19-00	01	320	1
46012A00560	VF0111	9794410056	5331144191015		73-19-00	01	440	1
46012A00560	VF0111	9794410056	5331144191015		75-29-00	01	440	1
46012A00560	VF0111	9794410056	5331144191015		75-29-00	01	490	1
46012A00560	VF0111	9794410056	5331144191015		79-29-00	01	030	1
46012A00560	VF0111	9794410056	5331144191015		79-29-00	01	230	2
46012A00600	VF0111	9794410060	5331144819116		72-32-10	01	360	1
46012A00600	VF0111	9794410060	5331144819116		72-61-00	01	144	1
46012A00690	VF0111	9794410069	5331144290275		72-15-00	01	104	1
46012A00750	VF0111	9794410075	5331144191016		71-71-00	01	180	1
46012A00750	VF0111	9794410075	5331144191016		72-15-00	01	094	1
46012A00750	VF0111	9794410075	5331144191016		72-61-00	01	134	1
46012A00750	VF0111	9794410075	5331144191016		73-19-00	01	040	1
46012A00750	VF0111	9794410075	5331144191016		79-29-00	01	080	1
46012A00750	VF0111	9794410075	5331144191016		79-29-00	01	090	1
46012A00750	VF0111	9794410075	5331144191016		79-29-00	01	140	2
46012A00750	VF0111	9794410075	5331144191016		79-29-00	01	140A	1
46012A00750	VF0111	9794410075	5331144191016		79-29-00	01	180	1
46012A00850	VF0111	9794410085	5331145249967		71-71-00	01	140	1
46012A00875	VF0111	9794410088	5331144677666		72-00-00	01	270A	2
46012A00950	VF0111	9794410095	5331144191017		72-61-00	01	780	1
46012A00950	VF0111	9794410095	5331144191017		73-19-00	01	570	1
46012A00950	VF0111	9794410095	5331144191017		73-19-00	01	580	1
46012A00950	VF0111	9794410095	5331144191017		73-19-00	01	630	1
46012A00950	VF0111	9794410095	5331144191017		73-19-00	01	640	1
46012A01000	VF0111	9794410100	5331144290277		79-31-00	01	030	1
46012A01060	VF0111	9794410106	5331144677668		72-15-30	01	090	1
46012A01060	VF0111	9794410106	5331144677668		79-25-00	01	030	1
46012A01250	VF0111	9794410125	5331144677669		72-61-00	01	480	1
46012A01250	VF0111	9794410125	5331144677669		79-25-00	01	040	1
46012A01320	VF0111	9794410132	5331144308930		73-19-00	01	030	1
46012A01400	VF0111	9794410140	5331144435923		72-61-00	01	720	1

Alphanumerical index of manufacturer part numbers

00-00-41

Page 3
June 15/2023

SAFRAN HELICOPTER ENGINES

ARRIEL 2 C1

ILLUSTRATED PARTS CATALOG

MANUFACTURER		SAFRAN HELICOPTER ENGINES P/N	NATO P/N	AIRLINE STOCK No.	CHAP. SECTION SUBJECT	FIG.	ITEM	QTY
P/N	CODE							
46012A01400	VF0111	9794410140	5331144435923		72-61-00	01	750	1
46012A01400	VF0111	9794410140	5331144435923		72-61-00	01	910	1
46012A01400	VF0111	9794410140	5331144435923		72-61-00	01	960	1
46012A01400	VF0111	9794410140	5331144435923		72-61-00	02	050	1
46012A01400	VF0111	9794410140	5331144435923		77-11-00	01	040	1
46012A01500	VF0111	9794410150	5331144191018		79-24-00	01	130	1
46012A01500	VF0111	9794410150	5331144191018		79-25-00	01	130	1
46012A01500	VF0111	9794410150	5331144191018		79-29-00	01	340	1
46012A01500	VF0111	9794410150	5331144191018		79-29-00	01	430	1
46012A01800	VF0111	9794410180	5331144677671		72-61-00	01	473A	1
46012A01800	VF0111	9794410180	5331144677671		72-61-00	01	490	1
46012A01800	VF0111	9794410180	5331144677671		72-61-00	02	060	1
46012A02360	VF0111	9794410236	5331144364441		79-38-00	01	050	1
46012A03550	VF0111	9794410355	5331144677674		72-61-00	01	420	1
46012A03650	VF0111	9794410365	5331144695964		72-61-00	01	430	1
46012A05000	VF0111	9794410500	5331144191020		72-61-00	01	690	1
46012A06300	VF0111	9794410630	5331144677676		72-15-20	01	030	1
46012B00800	VF0111	9794420080	5331145228795		79-38-00	01	032	1
46012B02360	VF0111	9794420236	5331145561055		72-61-00	01	580	1
46012B03150	VF0111	9794420315	5331145545821		72-61-20	01	230A	1
46012B04000	VF0111	9794420400	5331144755303		72-61-00	01	510	1
46012B04870	VF0111	9794420487	5331145782889		72-61-00	01	570	1
46012B05600	VF0111	9794420560	5331144191021		72-61-00	01	620	1
46012B05800	VF0111	9794420580	5331145785031		72-61-00	01	610	1
46012C02500	VF0111	9794430250	5331145067158		72-61-00	01	530	2
4901-1	VF9211	9550171750	5935145424078		79-38-00	01	010	1
49082243	VF0384	9560176660	5331145785176		72-43-00	01	270A	1
49082243	VF0384	9560176660	5331145785176		72-43-00	01	280A	1
49082243	VF0384	9560176660	5331145785176		72-43-00	01	290A	1
4910	VF9211	9520011520	2995145228519		79-38-00	01	034	1
4930-1	VF9211	9520011546	2995145488865		79-38-00	01	030	1
5 JSMR 20209 M	VF0224	9564090090	5310142722265		73-14-00	01	104A	3
5 JSMR 20209 M	VF0224	9564090090	5310142722265		74-11-10	01	120A	5
50499002	VFA3W9	9560177090	4730145824243		72-43-00	01	100B	1
50499002	VFA3W9	9560177090	4730145824243		72-43-00	01	150B	1
50499002	VFA3W9	9560177090	4730145824243		72-43-00	01	200B	1
5080LATE10CMK-BD	VF0224	9560128730	5340144839462		72-70-00	01	240	7
58 0 171 002	VF0355	9560117610			71-51-00	01	076B	1
580 101 191	VF0355	9560175960	5340145784988		71-51-00	01	076A	1
580-181-020	VF0355	9560158950	5340144704084		71-51-00	01	084	2
5SMF5209M	VF0224	9560119880	5310143502850		72-32-10	02	050	3
5SMR2205	VF0224	9564090030	5310142722264		73-14-00	01	104	3
5SMR2205	VF0224	9564090030	5310142722264		74-11-10	01	120	5
5SMR4205	VF0224	9564090020	5310142863633		72-00-00	01	132	2
6001/C3SO	VF0272	9601600199			72-61-30	01	200	1
6001/C3SO	VF0272	9601600199			72-61-30	01	210	1
6001/C3SO	VF0272	9601600199			72-61-30	01	250	1
6001/C3SO	VF0272	9601600199			72-61-30	01	260	1
6001/C3SO	VF0272	9601600199			72-61-30	01	300	1
6001/C3SO	VF0272	9601600199			72-61-30	01	310	1
6001X7RBA16-23	VF0771	9606600107	3110144198422		72-61-30	01	300A	1
6001X7RBA16-23	VF0771	9606600107	3110144198422		72-61-30	01	400	1
6001X7RBA16-23	VF0771	9606600107	3110144198422		72-61-30	01	410	1
6001YP63S.O.	VD8897	9601600199	3110144695947		72-61-30	01	200	1
6001YP63S.O.	VD8897	9601600199	3110144695947		72-61-30	01	210	1

Alphanumerical index of manufacturer part numbers

00-00-41

Page 4
June 15/2023

SAFRAN HELICOPTER ENGINES

ARRIEL 2 C1

ILLUSTRATED PARTS CATALOG

MANUFACTURER		SAFRAN HELICOPTER ENGINES P/N	NATO P/N	AIRLINE STOCK No.	CHAP. SECTION SUBJECT	FIG.	ITEM	QTY
P/N	CODE							
6001YP63S.O.	VD8897	9601600199	3110144695947		72-61-30	01	250	1
6001YP63S.O.	VD8897	9601600199	3110144695947		72-61-30	01	260	1
6001YP63S.O.	VD8897	9601600199	3110144695947		72-61-30	01	300	1
6001YP63S.O.	VD8897	9601600199	3110144695947		72-61-30	01	310	1
610523-02	V97424	9550172120	6695145782785		77-12-00	01	010A	3
61905JP63	VF0563	9601490599	3110144695945		72-61-30	01	350	1
61905JP63	VF0563	9601490599	3110144695945		72-61-30	01	360	1
61908/C3	VF0272	9601490801			72-15-20	01	050A	1
62X2,5X2,5CB	V0051T	9560158720	2840145785058		72-43-10	01	200A	2
7000	V90827	9550164950	2840145323080		75-31-00	01	050A	1
71075-1	V04171	9560115450	5330010435143		72-61-00	01	390	1
71075-1	V04171	9560115450	5330010435143		72-61-00	01	440	1
76783-02	V04319	9560126950			72-54-20	01	210	1
79008-1	V04171	9560134100			72-61-20	01	122	1
79008-3	V04171	9560131840	2840016237069		72-61-20	01	122A	1
8557-1	V98505	9550170830	5930145536484		79-31-00	01	010	1
8TX200BS	VF0215	9560130220	4730143029979		71-41-00	01	052	1
8TX200BS	VF0215	9560130220	4730143029979		71-51-00	01	102	1
8TX200BS	VF0215	9560130220	4730143029979		71-51-00	01	142	1
8TX200BS	VF0215	9560130220	4730143029979		72-61-00	01	850	1
9048205-302	V59501	9550171580	2925015678027		74-24-10	01	010	2
9296-1	VF7926	9550171410	2925145823698		72-61-00	01	650	1
9296-2	VF7926	9550002100	2925145823696		72-61-00	01	650A	1
93661-1	V02101	9421003500	2925145823693		72-61-00	01	650B	1
9560114630	VF0215	9560114630	4730143130418		72-61-00	01	254	1
9560114630	VF0215	9560114630	4730143130418		73-23-00	01	024	1
9560117610	VF0215	9560117610	5340143298280		71-51-00	01	076B	1
9560166210	VF0215	9560166210	5340145227408		71-51-00	01	040	4
9560166210	VF0215	9560166210	5340145227408		71-51-00	01	066	1
9560166220	VF0215	9560166220	5340144844260		71-51-00	01	072	2
9560166230	VF0215	9560166230	5340144844261		71-51-00	01	042	4
9560166240	VF0215	9560166240	5340144844262		71-51-00	01	044	2
9560169680	VF0215	9560169680	5340145778912		72-61-00	01	254A	1
9560169680	VF0215	9560169680	5340145778912		73-23-00	01	024A	1
9993160	VF6285	9560166950	4720145873372		79-29-00	01	200B	1
A17761-126-2	VK1209	9560166610	2840994930274		72-43-10	01	070	2
A17761-186-1	VK1209	9560158450	2840145804379		72-43-30	01	110	2
A17761-241-2	VK1209	9560163940	2840998406414		72-54-00	01	080	2
A18846/8	VK1209	9560167380			72-15-10	01	200	1
A22983-01	VF6409	9560165040	4720145782886		79-29-00	01	200	1
A22989-01	VF6409	9560162070	4720145782887		79-29-00	01	200A	1
AB13528S2	VF0673	9608000737			72-15-10	01	350B	1
AJ-0187701780EAO	VF0559	9520011818	5331144430196		72-61-00	01	473	1
APT190-13BAR-A	V34345	9550166140	6695015233452		75-41-00	01	010	1
AS12811	VU1653	0400410010	5340142933960		73-19-00	01	470	1
AS12811	VU1653	0400410010	5340142933960		75-29-00	01	462	2
AS12812	VU1653	0400410020	5340143388782		71-71-00	01	156	1
AS12812	VU1653	0400410020	5340143388782		79-29-00	01	310	1
AS12841	VU1653	0400420010	5340142933961		73-19-00	01	460	1
AS12841	VU1653	0400420010	5340142933961		75-29-00	01	460	2
AS12842	VU1653	0400420020	5340143388786		71-71-00	01	158	1
AS12842	VU1653	0400420020	5340143388786		79-29-00	01	308	1
AS12872	VU1653	0400430060	5970142933962		73-19-00	01	480	1
AS12872	VU1653	0400430060	5970142933962		75-29-00	01	464	2
AS12874	VU1653	0400430080	5970143114657		71-71-00	01	160	1

SAFRAN HELICOPTER ENGINES

ARRIEL 2 C1

ILLUSTRATED PARTS CATALOG

MANUFACTURER		SAFRAN HELICOPTER ENGINES P/N	NATO P/N	AIRLINE STOCK No.	CHAP. SECTION SUBJECT	FIG.	ITEM	QTY
P/N	CODE							
AS12874	VU1653	0400430080	5970143114657		79-29-00	01	312	1
BAQ-9737	VF0771	9609000752			72-32-10	01	210A	1
BAQ-9737	VF0771	9609000752			72-32-10	01	430A	1
BB1-9652 A.01	VF0771	9609000737			72-15-10	01	350A	1
BC1-9910	VF0771	9609000738			72-15-10	01	030B	1
BC1-9910	VF0771	9609000738			72-15-10	01	050B	1
BM1026	VFA3W9	9550177210			72-61-00	01	140	1
BM1026100	VFA3W9	9520011649			72-61-00	01	142	1
BM1026200	VFA3W9	9520011648			72-61-00	01	146	1
C12380BA03	VF9111	70BMD01040			71-00-00	01	003D	1
C12380BE04	VF9111	70BMD01060			71-00-00	01	003G	1
C6048-25.B-ISO	VF6275	9560125160	5342144008169		75-31-00	01	052	1
CA00525A	VF0559	9560166860	2945145557700		72-61-00	01	520	1
CH34595	V11583	9550168770			72-43-00	01	460A	2
CLB23060	VF6840	9550171540	2925145550274		74-24-10	01	010A	2
CS6060X/8 05RBA35/45	VF0771	9609000489			72-15-10	01	350	1
CSNFX 35/5A 05RH3SA25/35	VF0771	9609000619			72-15-10	01	030A	1
CSNFX 35/5A 05RH3SA25/35	VF0771	9609000619			72-15-10	01	050A	1
CSNFX35/5-05RH3SA2	VF0771	9609000488			72-15-10	01	030	1
CSNFX35/5-05RH3SA2	VF0771	9609000488			72-15-10	01	050	1
CSNL 35/1801 05RH1BAS/BI	VF0771	9609000594			72-15-10	01	180E	AD
CSNL 35/1801 05RH1BAS/BI	VF0771	9609000594			72-15-10	01	190E	AD
CSNL 35/19-01	VF0771	9609000624			72-15-10	01	180B	1
CSNL 35/19-01	VF0771	9609000624			72-15-10	01	190B	1
CSNL35/18 05RH1BAS	VF0771	9609000521			72-15-10	01	180	1
CSNL35/18 05RH1BAS	VF0771	9609000521			72-15-10	01	190	1
CSNL35/19A 05RH1BAS/BI	VF0771	9609000623			72-15-10	01	180A	1
CSNL35/19A 05RH1BAS/BI	VF0771	9609000623			72-15-10	01	190A	1
CSNL35/21A	VF0771	9609000676			72-15-10	01	180C	1
CSNL35/21A	VF0771	9609000676			72-15-10	01	190C	1
CSNUX55/11 05RLA S/BI	VF0771	9609000514			72-15-20	01	200	1
CSNUX55/1101 05RLAS/BI	VF0771	9609000667			72-15-20	01	200A	1
CSNX28/4-05RH6SA20/30	VF0771	9609000493	3110145785125		72-43-00	02	110	1
CZ5MC6-3	VF2276	9550171420	6620145067146		75-41-00	01	010A	1
DIN472_19x1_1	VD8286	9744019100	5325143179851		72-61-40	01	010	1
DIN472_28x1.2_1	VD8286	9744028100	5325142009983		72-61-30	01	100	1
DIN472_38x1.5_1	VD8286	9744038100	5325142131949		72-61-20	01	210	2
DIN472_62x2_1	VD8286	9744062100	5325142853979		72-15-20	01	040	1
EN 2907-050	VI9005	9866205025	5310143790844		72-61-00	01	654	1
EN2906-050	VI9005	9866205026			26-11-00	01	154	2
EN2906-050	VI9005	9866205026			26-11-00	01	254	2
EN2906-050	VI9005	9866205026			71-51-00	01	046	2
EN2906-050	VI9005	9866205026			71-51-00	01	080	1
EN2906-050	VI9005	9866205026			71-51-00	01	090	1
EN2906-050	VI9005	9866205026			71-71-00	01	154	1
EN2906-050	VI9005	9866205026			72-15-00	02	050	26
EN2906-050	VI9005	9866205026			72-15-00	02	082	2
EN2906-050	VI9005	9866205026			72-43-00	01	070	1
EN2906-050	VI9005	9866205026			72-43-00	01	070A	2
EN2906-050	VI9005	9866205026			72-43-00	01	254	4
EN2906-050	VI9005	9866205026			72-43-00	02	030	28
EN2906-050	VI9005	9866205026			72-43-00	02	120	36
EN2906-050	VI9005	9866205026			72-43-00	02	135	3
EN2906-050	VI9005	9866205026			72-43-00	02	135A	2
EN2906-050	VI9005	9866205026			72-43-10	01	130	8

Alphanumerical index of manufacturer part numbers

00-00-41

Page 6
June 15/2023

SAFRAN HELICOPTER ENGINES

ARRIEL 2 C1

ILLUSTRATED PARTS CATALOG

MANUFACTURER		SAFRAN HELICOPTER ENGINES P/N	NATO P/N	AIRLINE STOCK No.	CHAP. SECTION SUBJECT	FIG.	ITEM	QTY
P/N	CODE							
EN2906-050	VI9005	9866205026			72-43-20	01	010	10
EN2906-050	VI9005	9866205026			72-43-30	01	210	8
EN2906-050	VI9005	9866205026			72-54-20	01	130	12
EN2906-050	VI9005	9866205026			72-61-10	01	190	1
EN2906-050	VI9005	9866205026			72-61-30	01	150	25
EN2906-050	VI9005	9866205026			72-61-30	01	150A	23
EN2906-050	VI9005	9866205026			72-61-30	01	150B	22
EN2906-050	VI9005	9866205026			72-61-30	01	152	2
EN2906-050	VI9005	9866205026			75-29-00	01	456	1
EN2906-050	VI9005	9866205026			75-29-00	01	504	2
EN2906-050	VI9005	9866205026			75-29-00	01	504A	3
EN2906-050	VI9005	9866205026			75-41-00	01	014	1
EN2906-050	VI9005	9866205026			77-21-00	01	036	1
EN2906-050	VI9005	9866205026			79-29-00	01	304	1
EN2909-050	VI9005	9866305025	5310144745956		72-43-30	01	240	8
EN2910-050	VI9005	9867600050	5310145659029		72-43-00	02	055	3
EN2910-050	VI9005	9867600050	5310145659029		72-43-10	02	010	8
EN2910-050	VI9005	9867600050	5310145659029		72-43-40	01	110B	32
EN2928-050010	VI9005	9836005010	5306145207002		77-21-00	01	012	4
EN2928-050010	VI9005	9836005010	5306145207002		77-21-00	01	032	4
EN2928-050016	VI9005	9836005016	5306144677685		72-43-20	01	020	10
EN2940-050014	VI9005	9840105014	5305144695990		72-00-00	01	230	3
EN2944-050075	VI9005	9728050803	5325145348349		72-32-10	02	020	1
EN2944-050075	VI9005	9728050803	5325145348349		72-43-10	02	040	6
EN2944-050075	VI9005	9728050803	5325145348349		72-43-20	01	056	27
EN2944-050075	VI9005	9728050803	5325145348349		72-61-00	01	502	2
EN2944-050075	VI9005	9728050803	5325145348349		72-61-10	01	026	2
EN2944-050100	VI9005	9728050804	5325144128967		72-15-20	02	010	14
EN2944-050100	VI9005	9728050804	5325144128967		72-15-20	02	010A	19
EN2944-050100	VI9005	9728050804	5325144128967		72-15-30	02	070	51
EN2944-050100	VI9005	9728050804	5325144128967		72-15-30	02	070A	54
EN2944-050100	VI9005	9728050804	5325144128967		72-15-30	02	070B	52
EN2944-050100	VI9005	9728050804	5325144128967		72-54-20	01	202	3
EN2944-050100	VI9005	9728050804	5325144128967		72-61-40	01	105	12
EN2944-050100	VI9005	9728050804	5325144128967		72-61-50	01	020	7
EN2944-050100	VI9005	9728050804	5325144128967		72-61-50	01	130	42
EN2944-050100	VI9005	9728050804	5325144128967		72-61-50	01	130A	41
EN2944-050100	VI9005	9728050804	5325144128967		72-61-50	01	260	50
EN2944-050100	VI9005	9728050804	5325144128967		72-61-50	01	260A	47
EN2944-050100	VI9005	9728050804	5325144128967		72-61-50	01	260B	49
EN2944-050125	VI9005	9728050805	5325144128968		72-00-00	01	152	1
EN2944-060120	VI9005	9728061004	5325144128971		72-61-50	01	030	4
EN2944-070140	VI9005	9728071004	5325144125588		72-15-20	02	020	6
EN3014-070	VI9005	9867400070	5310144793112		72-61-00	01	050	10
EN3151-060018	VI9005	9757206018	5315145556438		72-43-20	01	053	3
EN3196-050	VI9005	9867500501	5310142663870		75-31-00	01	054	1
EN3240-050	VI9005	9867700050	5310145023608		71-41-00	01	020	3
EN3240-050	VI9005	9867700050	5310145023608		71-51-00	01	070	1
EN3240-050	VI9005	9867700050	5310145023608		71-51-00	01	130	2
EN3240-050	VI9005	9867700050	5310145023608		71-51-00	01	154	1
EN3240-050	VI9005	9867700050	5310145023608		72-61-00	01	862	2
EN3240-050	VI9005	9867700050	5310145023608		73-19-00	01	485	1
EN3295-012	VI9005	9880300012			72-15-10	01	090	1
EN3295-012	VI9005	9880300012			72-15-30	01	050	1
EN3295-014	VI9005	9880300014	5310144737436		72-43-00	02	090	1

SAFRAN HELICOPTER ENGINES

ARRIEL 2 C1

ILLUSTRATED PARTS CATALOG

MANUFACTURER		SAFRAN HELICOPTER ENGINES P/N	NATO P/N	AIRLINE STOCK No.	CHAP. SECTION SUBJECT	FIG.	ITEM	QTY
P/N	CODE							
EN3295-014	VI9005	9880300014	5310144737436		72-61-30	01	030	1
EN3295-035	VI9005	9880300035	5310145741105		72-15-10	01	020	1
EN3377-050	VI9005	9867500500	5310144290263		71-21-00	01	014	3
EN3377-050	VI9005	9867500500	5310144290263		72-00-00	01	250	27
EN3377-050	VI9005	9867500500	5310144290263		72-61-30	01	154	1
EN3542-050063	VI9005	9729105082	5325123891779		72-43-00	02	175	14
EN3542-050063	VI9005	9729105082	5325123891779		72-43-00	03	010	6
EN3542-050063	VI9005	9729105082	5325123891779		72-43-00	03	010A	4
EN3542-050063	VI9005	9729105082	5325123891779		72-43-30	01	155A	9
EN3542-050063	VI9005	9729105082	5325123891779		72-43-40	01	110A	32
EN3542-050063	VI9005	9729105082	5325123891779		72-43-40	01	110C	32
EN3542-050075	VI9005	9729105083	5325144290271		72-43-00	03	020	14
EN3542-050075	VI9005	9729105083	5325144290271		72-43-30	01	155	9
EN3542-050075	VI9005	9729105083	5325144290271		72-43-40	01	110	32
EN3542-050075	VI9005	9729105083	5325144290271		72-54-20	01	402	2
EN3613-050012	VI9005	9836505012	5306996669703		72-43-10	01	190	6
EN3613-050012	VI9005	9836505012	5306996669703		72-70-00	01	010	2
EN3613-050014	VI9005	9836505014			72-15-20	01	250	1
EN3613-050016	VI9005	9836505016			72-15-10	01	300	4
EN3613-050016	VI9005	9836505016			72-15-20	01	112	3
EN3613-050016	VI9005	9836505016			72-15-20	01	112A	2
EN3613-050016	VI9005	9836505016			72-15-20	01	116	1
EN3613-050016	VI9005	9836505016			72-15-20	01	152	5
EN3613-050016	VI9005	9836505016			72-15-30	01	022	2
EN3613-050016	VI9005	9836505016			72-15-30	01	152	3
EN3613-050018	VI9005	9836505018			72-43-30	01	130	9
EN3613-050030	VI9005	9836505030			72-15-30	01	130	3
EN3613-050034	VI9005	9836505034			72-15-20	01	100	3
EN3686050012	VI9005	9836405012	5306144695978		26-11-00	01	052A	2
EN3686050012	VI9005	9836405012	5306144695978		71-41-00	01	010	3
EN3686050012	VI9005	9836405012	5306144695978		71-51-00	01	048	1
EN3686050012	VI9005	9836405012	5306144695978		71-51-00	01	058	1
EN3686050012	VI9005	9836405012	5306144695978		71-51-00	01	064	1
EN3686050012	VI9005	9836405012	5306144695978		71-51-00	01	068	1
EN3686050012	VI9005	9836405012	5306144695978		71-51-00	01	078	1
EN3686050012	VI9005	9836405012	5306144695978		71-51-00	01	088	1
EN3686050012	VI9005	9836405012	5306144695978		71-51-00	01	092	1
EN3686050012	VI9005	9836405012	5306144695978		71-51-00	01	152	1
EN3686050012	VI9005	9836405012	5306144695978		71-71-00	01	072	2
EN3686050012	VI9005	9836405012	5306144695978		72-54-20	01	100	3
EN3686050012	VI9005	9836405012	5306144695978		72-61-00	01	462	2
EN3686050012	VI9005	9836405012	5306144695978		74-11-10	01	012	4
EN3686050012	VI9005	9836405012	5306144695978		75-29-00	01	202	2
EN3686050012	VI9005	9836405012	5306144695978		75-29-00	01	252	2
EN3686050012	VI9005	9836405012	5306144695978		75-29-00	01	454	1
EN3686050012	VI9005	9836405012	5306144695978		75-29-00	01	503	2
EN3686050012	VI9005	9836405012	5306144695978		79-29-00	01	302A	1
EN3686050014	VI9005	9836405014	5306144677687		26-11-00	01	012	3
EN3686050014	VI9005	9836405014	5306144677687		26-11-00	01	052	2
EN3686050014	VI9005	9836405014	5306144677687		26-11-00	01	102	3
EN3686050014	VI9005	9836405014	5306144677687		26-11-00	01	202	3
EN3686050014	VI9005	9836405014	5306144677687		71-71-00	01	012	1
EN3686050014	VI9005	9836405014	5306144677687		71-71-00	01	152	1
EN3686050014	VI9005	9836405014	5306144677687		71-71-00	01	164	2
EN3686050014	VI9005	9836405014	5306144677687		72-15-20	01	012	6

Alphanumerical index of manufacturer part numbers

00-00-41

Page 8
June 15/2023

SAFRAN HELICOPTER ENGINES

ARRIEL 2 C1

ILLUSTRATED PARTS CATALOG

MANUFACTURER		SAFRAN HELICOPTER ENGINES P/N	NATO P/N	AIRLINE STOCK No.	CHAP. SECTION SUBJECT	FIG.	ITEM	QTY
P/N	CODE							
EN3686050014	VI9005	9836405014	5306144677687		72-32-10	01	320	1
EN3686050014	VI9005	9836405014	5306144677687		72-32-10	01	490	3
EN3686050014	VI9005	9836405014	5306144677687		72-43-00	01	612	2
EN3686050014	VI9005	9836405014	5306144677687		72-43-10	01	140	8
EN3686050014	VI9005	9836405014	5306144677687		72-61-00	01	072	1
EN3686050014	VI9005	9836405014	5306144677687		72-61-00	01	102	1
EN3686050014	VI9005	9836405014	5306144677687		72-61-00	01	402	1
EN3686050014	VI9005	9836405014	5306144677687		72-61-00	01	702	1
EN3686050014	VI9005	9836405014	5306144677687		72-61-00	01	732	1
EN3686050014	VI9005	9836405014	5306144677687		72-61-00	01	762	2
EN3686050014	VI9005	9836405014	5306144677687		72-61-00	01	832	2
EN3686050014	VI9005	9836405014	5306144677687		72-61-00	01	882	1
EN3686050014	VI9005	9836405014	5306144677687		72-61-00	01	942	1
EN3686050014	VI9005	9836405014	5306144677687		73-19-00	01	012	2
EN3686050014	VI9005	9836405014	5306144677687		73-19-00	01	014	2
EN3686050014	VI9005	9836405014	5306144677687		73-19-00	01	302	2
EN3686050014	VI9005	9836405014	5306144677687		73-19-00	01	402	2
EN3686050014	VI9005	9836405014	5306144677687		73-19-00	01	450	1
EN3686050014	VI9005	9836405014	5306144677687		73-19-00	01	552	4
EN3686050014	VI9005	9836405014	5306144677687		73-19-00	01	602	4
EN3686050014	VI9005	9836405014	5306144677687		75-29-00	01	012	2
EN3686050014	VI9005	9836405014	5306144677687		75-29-00	01	202A	2
EN3686050014	VI9005	9836405014	5306144677687		75-29-00	01	302	2
EN3686050014	VI9005	9836405014	5306144677687		75-29-00	01	402	2
EN3686050014	VI9005	9836405014	5306144677687		75-29-00	01	452	4
EN3686050014	VI9005	9836405014	5306144677687		75-29-00	01	502	2
EN3686050014	VI9005	9836405014	5306144677687		75-29-00	01	502A	1
EN3686050014	VI9005	9836405014	5306144677687		75-29-00	01	510	2
EN3686050014	VI9005	9836405014	5306144677687		77-11-00	01	012A	1
EN3686050014	VI9005	9836405014	5306144677687		77-12-00	01	012A	3
EN3686050014	VI9005	9836405014	5306144677687		77-12-00	01	017A	1
EN3686050014	VI9005	9836405014	5306144677687		77-12-00	01	022A	2
EN3686050014	VI9005	9836405014	5306144677687		77-21-00	01	034	1
EN3686050014	VI9005	9836405014	5306144677687		79-29-00	01	012	2
EN3686050014	VI9005	9836405014	5306144677687		79-29-00	01	054	2
EN3686050014	VI9005	9836405014	5306144677687		79-29-00	01	202B	2
EN3686050014	VI9005	9836405014	5306144677687		79-29-00	01	204	2
EN3686050014	VI9005	9836405014	5306144677687		79-29-00	01	302	1
EN3686050014	VI9005	9836405014	5306144677687		79-29-00	01	316	2
EN3686050014	VI9005	9836405014	5306144677687		79-38-00	01	012	2
EN3686050016	VI9005	9836405016	5306144695979		71-21-00	01	012	3
EN3686050016	VI9005	9836405016	5306144695979		72-00-00	01	300	8
EN3686050016	VI9005	9836405016	5306144695979		72-15-00	01	012	2
EN3686050016	VI9005	9836405016	5306144695979		72-15-00	01	052	2
EN3686050016	VI9005	9836405016	5306144695979		72-43-00	01	102	2
EN3686050016	VI9005	9836405016	5306144695979		72-43-00	01	152	2
EN3686050016	VI9005	9836405016	5306144695979		72-43-00	01	202	2
EN3686050016	VI9005	9836405016	5306144695979		72-43-00	02	125	2
EN3686050016	VI9005	9836405016	5306144695979		72-61-00	01	034	17
EN3686050016	VI9005	9836405016	5306144695979		72-61-00	01	302	2
EN3686050016	VI9005	9836405016	5306144695979		72-61-00	01	652	3
EN3686050016	VI9005	9836405016	5306144695979		72-61-00	02	020	3
EN3686050016	VI9005	9836405016	5306144695979		72-61-10	01	010	23
EN3686050016	VI9005	9836405016	5306144695979		74-11-10	01	102	1
EN3686050016	VI9005	9836405016	5306144695979		75-41-00	01	012	2

SAFRAN HELICOPTER ENGINES

ARRIEL 2 C1

ILLUSTRATED PARTS CATALOG

MANUFACTURER		SAFRAN HELICOPTER ENGINES P/N	NATO P/N	AIRLINE STOCK No.	CHAP. SECTION SUBJECT	FIG.	ITEM	QTY
P/N	CODE							
EN3686050016	VI9005	9836405016	5306144695979		77-11-00	01	012	1
EN3686050016	VI9005	9836405016	5306144695979		77-12-00	01	012	3
EN3686050016	VI9005	9836405016	5306144695979		77-12-00	01	017	1
EN3686050016	VI9005	9836405016	5306144695979		77-12-00	01	022	2
EN3686050016	VI9005	9836405016	5306144695979		79-25-00	01	102	2
EN3686050016	VI9005	9836405016	5306144695979		79-29-00	01	152	2
EN3686050016	VI9005	9836405016	5306144695979		79-29-00	01	202	4
EN3686050016	VI9005	9836405016	5306144695979		79-29-00	01	202A	2
EN3686050016	VI9005	9836405016	5306144695979		79-29-00	01	402	2
EN3686050016	VI9005	9836405016	5306144695979		79-31-00	01	012	2
EN3686050018	VI9005	9836405018	5306144695980		71-21-00	01	012A	3
EN3686050018	VI9005	9836405018	5306144695980		71-71-00	01	014	1
EN3686050018	VI9005	9836405018	5306144695980		71-71-00	01	122	2
EN3686050018	VI9005	9836405018	5306144695980		72-00-00	01	220	27
EN3686050018	VI9005	9836405018	5306144695980		72-00-00	01	240	27
EN3686050018	VI9005	9836405018	5306144695980		72-15-00	02	080	8
EN3686050018	VI9005	9836405018	5306144695980		72-43-00	01	102A	2
EN3686050018	VI9005	9836405018	5306144695980		72-43-00	01	152A	2
EN3686050018	VI9005	9836405018	5306144695980		72-43-00	01	202A	2
EN3686050018	VI9005	9836405018	5306144695980		72-43-00	01	252	4
EN3686050018	VI9005	9836405018	5306144695980		72-43-00	02	010	28
EN3686050018	VI9005	9836405018	5306144695980		72-43-00	02	130	36
EN3686050018	VI9005	9836405018	5306144695980		72-43-00	02	130A	34
EN3686050018	VI9005	9836405018	5306144695980		72-43-00	02	150	3
EN3686050018	VI9005	9836405018	5306144695980		72-43-00	02	150A	2
EN3686050018	VI9005	9836405018	5306144695980		72-43-30	01	230	8
EN3686050018	VI9005	9836405018	5306144695980		72-61-30	01	172	1
EN3686050018	VI9005	9836405018	5306144695980		72-61-30	01	180	1
EN3686050020	VI9005	9836405020	5306144695981		26-11-00	01	252	2
EN3686050020	VI9005	9836405020	5306144695981		71-21-00	01	012B	3
EN3686050020	VI9005	9836405020	5306144695981		71-21-00	01	052	3
EN3686050020	VI9005	9836405020	5306144695981		72-43-00	02	270	32
EN3686050020	VI9005	9836405020	5306144695981		72-43-10	01	010	8
EN3686050020	VI9005	9836405020	5306144695981		72-54-20	01	160	9
EN3686050020	VI9005	9836405020	5306144695981		72-61-00	01	340	8
EN3686050020	VI9005	9836405020	5306144695981		72-61-00	02	090	8
EN3686050022	VI9005	9836405022	5306144707600		72-00-00	01	310	12
EN3686050022	VI9005	9836405022	5306144707600		72-54-20	01	150	3
EN3686050022	VI9005	9836405022	5306144707600		72-61-00	01	032	2
EN3686050022	VI9005	9836405022	5306144707600		72-61-30	01	170	22
EN3686050024	VI9005	9836405024	5306144710939		26-11-00	01	152	2
EN3686050024	VI9005	9836405024	5306144710939		72-15-00	02	070	22
EN3686050024	VI9005	9836405024	5306144710939		72-61-30	01	170A	22
EN3686050024	VI9005	9836405024	5306144710939		72-61-30	01	170B	21
EN3686050024	VI9005	9836405024	5306144710939		72-61-30	01	190	2
EN3686050026	VI9005	9836405026	5306144695982		72-43-00	02	270A	32
EN3686050026	VI9005	9836405026	5306144695982		72-61-20	01	050	6
EN3686050026	VI9005	9836405026	5306144695982		72-61-30	01	190A	2
EN3686050026	VI9005	9836405026	5306144695982		79-29-00	01	052	2
EN3686050034	VI9005	9836405034	5306144695984		72-15-30	01	102	2
EN3686050050	VI9005	9836405050	5306145677622		72-15-20	01	072	1
EN3686050050	VI9005	9836405050	5306145677622		79-25-00	01	012	3
EN3686070018	VI9005	9836407018	5306145781829		72-15-20	01	212	6
EN3728-035	VI9005	9880310035			72-15-10	01	040	1
GPN610U20RGE	VF6069	9560111150	5340121726624		71-91-00	01	100	1

Alphanumerical index of manufacturer part numbers

00-00-41

Page 10
June 15/2023

SAFRAN HELICOPTER ENGINES

ARRIEL 2 C1

ILLUSTRATED PARTS CATALOG

MANUFACTURER		SAFRAN HELICOPTER ENGINES P/N	NATO P/N	AIRLINE STOCK No.	CHAP. SECTION SUBJECT	FIG.	ITEM	QTY
P/N	CODE							
GPN610U20RGE	VF6069	9560111150	5340121726624		71-91-00	01	160	1
H243	VF9211	9550173110	6350145034830		26-11-00	01	010	1
H243	VF9211	9550173110	6350145034830		26-11-00	01	100	1
H243-1	VF9211	9550177130	6350145263348		26-11-00	01	010A	1
H243-1	VF9211	9550177130	6350145263348		26-11-00	01	100A	1
H443	VF9211	9550173140	6350145034831		26-11-00	01	200	1
H443_1	VF9211	9550177160	6350145263347		26-11-00	01	200A	1
HE 3200 amdt e	VF5496	9550178070	2925145550280		74-11-10	01	010B	1
HE 932	VF6840	9550177760	2925145571981		74-11-10	01	010A	1
HE3201A	VF5496	9421003400	2925145784934		74-11-10	01	010C	1
HE931	VF6840	9550173220	2925145209148		74-11-10	01	010	1
JA00623A	VF0559	9560167310	2945145784964		72-61-00	01	460	1
JA00875A	VF0559	9560168040	2945145209152		72-61-00	01	460A	1
JA02053A	VF0559	9520011823	2945145784940		72-61-00	01	476	1
JAO2055A	VF0559	9520011825	2945145784941		72-61-00	01	476A	1
NF13531S3	VF0673	9608000738			72-15-10	01	030C	1
NF13531S3	VF0673	9608000738			72-15-10	01	050C	1
OLVB3419	VK0624	9560130460	6635997355153		72-15-00	01	130	1
OLVB3419	VK0624	9560130460	6635997355153		72-61-00	01	170	1
OLVB6946	VK0624	9560130450	4920995221681		72-15-00	01	110	1
OLVB6946	VK0624	9560130450	4920995221681		72-61-00	01	150	1
OR10X2-70FFKM151400	VF0384	9560165990	5331145783534		72-43-00	01	270	1
OR10X2-70FFKM151400	VF0384	9560165990	5331145783534		72-43-00	01	280	1
OR10X2-70FFKM151400	VF0384	9560165990	5331145783534		72-43-00	01	290	1
PAO 1583 A	VF0559	9520011817	5340145488822		72-61-00	01	472	1
PLT2S-M76	VF9756	9560175240	5975010505225		71-51-00	01	095A	3
PLT2S-M76	VF9756	9560175240	5975010505225		71-51-00	01	096A	1
PLT2S-M76	VF9756	9560175240	5975010505225		71-51-00	01	097A	2
PLT2S-M76	VF9756	9560175240	5975010505225		71-51-00	01	200A	7
PVK300670AT24S	VF9088	9560159150			72-15-10	01	130	1
R-61,5X1,75X2,3-SV-KI-P	VF2569	9560165860			72-54-20	01	260	1
R-62X2,5X2,5-SV-KI-PO	VF2569	9560158810	2840145785058		72-43-10	01	200	2
RBC1-9946 A	VF0771	9609000793			72-15-10	01	180G	1
RBC1-9946 A	VF0771	9609000793			72-15-10	01	190G	1
RBC1-9946 A.01	VF0771	9609000734			72-15-10	01	180F	1
RBC1-9946 A.01	VF0771	9609000734			72-15-10	01	190F	1
RBC1-9946 B	VF0771	9609000794			72-15-10	01	180H	1
RBC1-9946 B	VF0771	9609000794			72-15-10	01	190H	1
RNF3000-24/8-4	VF0286	9550163872	5970144704077		71-51-00	01	062	AR
RNF3000-24/8-6	VF0286	9550163882	5970144704078		71-51-00	01	074	AR
RNF3000-24/8-9	VF0286	9550163892	5970144380660		71-51-00	01	052	AR
RNF3000-24/8-9	VF0286	9550163892	5970144380660		71-51-00	01	056	AR
S19015-1-05RBA20-30	VF0771	9606490202	3110145556521		72-32-10	01	370	1
S19015-1-05RBA20-30	VF0771	9606490202	3110145556521		72-61-30	01	060	1
S19015-1-05RBA20-30	VF0771	9606490202	3110145556521		72-61-30	01	110	1
S19025-5-05RBA20	VF0771	9606490501	3110144697600		72-61-30	01	350A	1
S19025-5-05RBA20	VF0771	9606490501	3110144697600		72-61-30	01	360A	1
S19040/1-5RLA33-44	VF0771	9606490801	3110142845604		72-15-20	01	050	1
S6050X/9 05RLA30A45	VF0771	9606601003	3110146013366		72-61-20	01	130	1
SC2036	VF6840	9550168760	2925145178151		72-43-00	01	460	2
SC3536	VF5496	9550353600			72-43-00	01	460B	2
SIMOLG3-5	VF1701	9567720030	5305142148330		72-15-30	02	090	2
SIMOLG3-5	VF1701	9567720030	5305142148330		72-61-50	01	110	4
SP212/6-05RH1BA35	VF0771	9609000585			72-15-10	01	120	1
SPB35/6 07RH3SA30	VF0771	9609000554			72-54-20	01	280	1

SAFRAN HELICOPTER ENGINES

ARRIEL 2 C1

ILLUSTRATED PARTS CATALOG

MANUFACTURER		SAFRAN HELICOPTER ENGINES P/N	NATO P/N	AIRLINE STOCK No.	CHAP. SECTION SUBJECT	FIG.	ITEM	QTY
P/N	CODE							
SPX30/14 07RH3SA30	VF0771	9609000486			72-32-10	01	210	1
SPX30/14 07RH3SA30	VF0771	9609000486			72-32-10	01	430	1
SPX30/3-07RH3SA22	VF0771	9609000166	3110145556550		72-54-20	01	330	1
TC330-01	VF2276	9550176740	2995145778923		77-21-00	01	010	1
TC330-01	VF2276	9550176740	2995145778923		77-21-00	01	030	1
TC382-00	VF2276	9550178230	4920145677615		77-21-00	01	010A	1
TC382-00	VF2276	9550178230	4920145677615		77-21-00	01	030A	1
TCH03-K10-100	VF7917	9550178220	2995145784945		77-21-00	01	010B	1
TCH03-K10-100	VF7917	9550178220	2995145784945		77-21-00	01	030B	1
TYZ25M	VFAAM1	9560133940	5975010505225		71-51-00	01	095	3
TYZ25M	VF6728	9560133940	5975010505225		71-51-00	01	095	3
TYZ25M	VFAAM1	9560133940	5975010505225		71-51-00	01	096	1
TYZ25M	VF6728	9560133940	5975010505225		71-51-00	01	096	1
TYZ25M	VFAAM1	9560133940	5975010505225		71-51-00	01	097	2
TYZ25M	VF6728	9560133940	5975010505225		71-51-00	01	097	2
TYZ25M	VFAAM1	9560133940	5975010505225		71-51-00	01	200	7
TYZ25M	VF6728	9560133940	5975010505225		71-51-00	01	200	7
VIT7100030	VF6840	9550175800	6680145674654		77-12-00	01	010B	3
VIT7100030	VF6840	9550175800	6680145674654		77-12-00	01	010E	AD
VIT7100030	VF6840	9550175800	6680145674654		77-12-00	01	015A	1
VIT7100030	VF6840	9550175800	6680145674654		77-12-00	01	020A	2
VIT7100040	VF6840	9550175810	6680145488559		72-61-00	01	880C	1
VIT7100040	VF6840	9550175810	6680145488559		77-11-00	01	010C	1
XR13532S1	VF0673	9609000656			72-15-10	01	180D	1
XR13532S1	VF0673	9609000656			72-15-10	01	190D	1

NUMERICAL INDEX OF NATO PART NUMBERS

NATO P/N	SAFRAN HELICOPTER ENGINES P/N	MANUFACTURER		AIRLINE STOCK No.	CHAP. SECTION SUBJECT	FIG.	ITEM	QTY
		CODE	P/N					
1560144834621	0292827110				72-70-00	01	100	1
1680146030017	0000840720				72-15-00	02	120A	1
1680146030017	0000840720				72-32-00	01	200C	1
1730144036320	0301000520				72-43-00	01	250	2
2840016237069	9560131840	V04171	79008-3		72-61-20	01	122A	1
2840144002616	0301010860				71-21-00	01	050	1
2840145066271	0292827120				72-70-00	01	100A	1
2840145085848	0292117250				72-61-00	01	030	1
2840145221445	0292102010				72-61-00	01	350	1
2840145221445	0292121160				72-61-00	01	350A	1
2840145323080	9550164950	V90827	7000		75-31-00	01	050A	1
2840145351279	9550178680	VF1976	1354000		75-31-00	01	050C	1
2840145471304	0292117300				72-61-00	01	030A	1
2840145543127	0292760020				72-00-00	01	170	1
2840145557017	0292252050				72-43-30	01	450	1
2840145557019	0292252060				72-43-30	01	420	1
2840145557327	0292377110				72-43-40	01	050	1
2840145557328	0292377910				72-43-40	01	050A	1
2840145557435	0292990630				72-32-00	01	102	1
2840145557986	0292103270				72-61-30	01	140	1
2840145558091	0314160070				72-32-00	01	080	1
2840145558183	0314160060				72-32-10	01	120	1
2840145558603	0292158400				72-32-00	01	100	1
2840145558611	0292158340				72-32-10	01	500	1
2840145558616	0292208260				72-43-20	01	050A	1
2840145558622	0292152530				72-32-10	01	200	1
2840145558735	0292152880				72-43-00	02	200A	1
2840145558757	0314160040				72-32-00	01	050	1
2840145674573	70BM031740				72-00-00	01	040B	1
2840145728634	0292510200				72-43-00	01	410	3
2840145758035	0292158350				72-32-10	01	500A	1
2840145779827	0292815000				72-00-00	01	070	1
2840145779830	0292817330				72-70-00	01	200	1
2840145779838	0292757210				72-61-10	01	020	1
2840145779838	0292750030				72-61-10	01	020A	1
2840145779846	0292517170				72-43-10	01	100A	1
2840145779847	0292670400				71-71-00	01	350	1
2840145779848	0292677010				74-11-10	01	100	1
2840145779849	0292760160				26-11-00	01	150	1
2840145779851	0292760390				26-11-00	01	250	1
2840145779852	0292767020				71-51-00	01	100	1
2840145779852	0292767020				72-61-00	01	860	1
2840145779853	0292767120				26-11-00	01	050	1
2840145779902	0292767130				72-00-00	01	130	1
2840145779907	0292767140				71-41-00	01	050	1
2840145780046	70BM021710				72-00-00	01	030	1
2840145780057	70BM031710				72-00-00	01	040C	1
2840145780061	70BM041720				72-00-00	01	050	1
2840145780065	70BM051710				72-00-00	01	060	1
2840145780367	0292817220				72-43-00	02	050	1
2840145780368	0292817390				72-43-00	02	050A	1
2840145780373	0292517110				72-43-10	01	250	1
2840145780393	0292720520				79-29-00	01	400	1

SAFRAN HELICOPTER ENGINES

ARRIEL 2 C1

ILLUSTRATED PARTS CATALOG

NATO P/N	SAFRAN HELICOPTER ENGINES P/N	MANUFACTURER		AIRLINE STOCK No.	CHAP. SECTION SUBJECT	FIG.	ITEM	QTY
		CODE	P/N					
2840145780419	0292158290				72-43-00	02	170	1
2840145780420	729271742A				72-15-20	01	300E	1
2840145780561	0292517140				72-43-10	01	150	1
2840145780618	0292121110				72-61-00	01	400	1
2840145780618	0292121100				72-61-00	01	400A	1
2840145780620	0292121340				72-61-00	01	400B	1
2840145780742	0292737250				73-14-00	01	100	1
2840145780749	0292677000				72-00-00	01	150	1
2840145780751	0292517030				72-43-10	01	120	1
2840145780756	0292990960				72-00-00	01	320	1
2840145780763	0292260160				72-43-00	02	100	1
2840145780765	0292510160				72-43-10	02	050	1
2840145780766	0292158250				72-32-10	01	330	1
2840145780768	0292510460				72-43-00	01	410A	3
2840145780769	0292510130				72-43-10	01	180	1
2840145782888	9550002500	VFANU6	40EB03		75-31-00	01	050B	1
2840145783412	0292101580				72-61-20	01	120A	1
2840145785058	9560158810	VF2569	R-62X2,5X2,5-SV-KI-PO		72-43-10	01	200	2
2840145785058	9560158720	V0051T	62X2,5X2,5CB		72-43-10	01	200A	2
2840145804379	9560158450	VK1209	A17761-186-1		72-43-30	01	110	2
2840145823708	0292510030				72-43-00	01	400A	3
2840145825081	70BM031770				72-00-00	01	040D	1
2840145846357	0292120650				72-61-50	01	100A	1
2840145846359	0292120410				72-61-50	01	200B	1
2840145846362	0292121460				72-61-50	01	200C	1
2840145846364	0292121490				72-61-00	02	300B	1
2840145846366	0292127020				72-61-50	01	100	1
2840145846372	0292127680				72-61-50	01	200A	1
2840145846373	0292127720				72-61-00	02	300A	1
2840145846382	0292467080				72-43-00	02	370B	1
2840145846384	0292677170				72-43-00	01	005	1
2840145846391	0292717470				72-15-30	01	200C	1
2840145873368	0292121510				72-61-50	01	100B	1
2840145873369	0292121530				72-61-00	02	300C	1
2840145873370	729212736A				72-61-00	02	300D	1
2840145873371	729212772A				72-61-00	02	300E	1
2840145889676	0292460010				72-43-00	02	370D	1
2840146007298	0292730650				73-19-00	01	490	1
2840146007343	0292120880				72-61-20	01	250H	1
2840146007344	0292127990				72-61-20	01	250F	1
2840146035300	0292150510				72-32-10	01	330A	1
2840146035303	0292260110				72-43-30	01	080B	1
2840146035303	0292260110				72-43-30	01	080D	1
2840146035312	2292260060				72-43-30	03	050	1
2840146058955	729215825A				72-32-10	01	330B	1
2840994930274	9560166610	VK1209	A17761-126-2		72-43-10	01	070	2
2840998406414	9560163940	VK1209	A17761-241-2		72-54-00	01	080	2
2915142951529	0039651140				72-61-40	01	080	1
2915143151697	9898080524				72-15-20	02	070	1
2915143151697	9898080524				72-61-50	01	250	1
2915143785664	0283317500				72-43-00	01	550	2
2915145779784	0292677110				71-71-00	01	010	1
2915145779785	0292677160				71-71-00	01	050	1
2915145779788	0292677190				71-71-00	01	150	1
2915145779807	0292737290				73-19-00	01	200	1

Numerical index of NATO part numbers

00-00-42

Page 2
June 15/2023

SAFRAN HELICOPTER ENGINES

ARRIEL 2 C1

ILLUSTRATED PARTS CATALOG

NATO P/N	SAFRAN HELICOPTER ENGINES P/N	MANUFACTURER		AIRLINE STOCK No.	CHAP. SECTION SUBJECT	FIG.	ITEM	QTY
		CODE	P/N					
2915145779809	0292737300				73-19-00	01	250	1
2915145779810	0292737310				73-19-00	01	400	1
2915145779812	0292737390				73-19-00	01	600	1
2915145779818	0292737440				73-19-00	01	010	1
2915145779822	0292737580				73-19-00	01	550	1
2915145780689	0292958060				73-14-00	01	010A	1
2915145780699	0292958050				73-14-00	01	010	1
2915145823667	0292677210				71-71-00	01	120	1
2915145889671	0292950780				73-14-00	01	010C	1
2920014509908	9550168770	V11583	CH34595		72-43-00	01	460A	2
2925015678027	9550171580	V59501	9048205-302		74-24-10	01	010	2
2925145178151	9550168760	VF6840	SC2036		72-43-00	01	460	2
2925145209148	9550173220	VF6840	HE931		74-11-10	01	010	1
2925145550274	9550171540	VF6840	CLB23060		74-24-10	01	010A	2
2925145550280	9550178070	VF5496	HE 3200 amdt e		74-11-10	01	010B	1
2925145571981	9550177760	VF6840	HE 932		74-11-10	01	010A	1
2925145780717	0292697200				72-43-00	01	010	1
2925145784934	9421003400	VF5496	HE3201A		74-11-10	01	010C	1
2925145823693	9421003500	V02101	93661-1		72-61-00	01	650B	1
2925145823696	9550002100	VF7926	9296-2		72-61-00	01	650A	1
2925145823698	9550171410	VF7926	9296-1		72-61-00	01	650	1
2925145846381	0292377800				72-43-00	01	450	2
2925145889667	0177987140				72-61-20	01	280B	1
2925145889667	0177987140				72-61-20	01	280C	1
2925145889678	0292697900				72-43-00	01	010B	1
2935145781109	0292120950				72-61-00	01	600	1
2945145209152	9560168040	VF0559	JA00875A		72-61-00	01	460A	1
2945145557700	9560166860	VF0559	CA00525A		72-61-00	01	520	1
2945145780479	0292127460				72-61-00	01	500	1
2945145780740	0292127400				72-61-00	02	010	1
2945145780741	0292127890				72-61-00	02	010A	1
2945145784940	9520011823	VF0559	JA02053A		72-61-00	01	476	1
2945145784941	9520011825	VF0559	JAO2055A		72-61-00	01	476A	1
2945145784964	9560167310	VF0559	JA00623A		72-61-00	01	460	1
2945145846370	0292127420				72-61-40	01	100	1
2995144002567	0292107650				72-61-00	01	070	1
2995144002601	0292990150				72-00-00	01	260	1
2995145228519	9520011520	VF9211	4910		79-38-00	01	034	1
2995145319525	9520011653	VFA3W9	32059101		72-15-00	01	096	1
2995145319525	9520011653	VFA3W9	32059101		72-61-00	01	136	1
2995145488865	9520011546	VF9211	4930-1		79-38-00	01	030	1
2995145557946	0292102850				72-32-10	01	150	1
2995145558069	0292157670				72-32-10	01	240	1
2995145558688	0314160030				72-32-10	01	460	1
2995145674604	0292125130				79-24-00	01	010D	1
2995145674604	0292121000				79-24-00	01	010E	1
2995145778923	9550176740	VF2276	TC330-01		77-21-00	01	010	1
2995145778923	9550176740	VF2276	TC330-01		77-21-00	01	030	1
2995145779982	0292680030				75-29-00	01	450A	1
2995145779990	0292687270				75-29-00	01	450	1
2995145779997	0292727280				79-29-00	01	100A	1
2995145780000	0292727330				79-29-00	01	100	1
2995145780002	0292727240				79-29-00	01	010	1
2995145780005	0292687280				75-29-00	01	010	1
2995145780007	0292727260				79-29-00	01	300	1

Numerical index of NATO part numbers

00-00-42

Page 3
June 15/2023

SAFRAN HELICOPTER ENGINES

ARRIEL 2 C1

ILLUSTRATED PARTS CATALOG

NATO P/N	SAFRAN HELICOPTER ENGINES P/N	MANUFACTURER		AIRLINE STOCK No.	CHAP. SECTION SUBJECT	FIG.	ITEM	QTY
		CODE	P/N					
2995145780012	0292687230				75-29-00	01	400	1
2995145780015	0292687290				75-29-00	01	500	1
2995145780017	0292727250				79-29-00	01	150	1
2995145780487	0292517060				72-43-10	01	030	1
2995145780488	0292120770				72-61-00	01	560	1
2995145780793	0292125060				79-24-00	01	010A	1
2995145780794	0292125070				79-24-00	01	010	1
2995145784945	9550178220	VF7917	TCH03-K10-100		77-21-00	01	010B	1
2995145784945	9550178220	VF7917	TCH03-K10-100		77-21-00	01	030B	1
2995145804337	0292125120				79-24-00	01	010B	1
2995145804339	0292125150				79-24-00	01	010C	1
2995145804339	0292121020				79-24-00	01	010F	1
2995145823665	0292727320				79-29-00	01	050	1
2995145823759	0292720860				79-29-00	01	100B	1
2995145823760	0292720880				79-29-00	01	300A	1
2995145823762	0292720870				79-29-00	01	150A	1
2995145860433	0292720920				79-29-00	01	100C	1
2995145860434	0292720930				79-29-00	01	150B	1
3010145557953	0292157770				72-32-10	01	280	1
3010145757937	0292109010				72-61-20	01	030B	1
3010145757938	0292117260				72-61-20	01	030C	1
3020145557083	0292152320				72-32-10	01	286	1
3020145557085	0292152260				72-32-10	01	282	1
3020145557089	0292102750				72-61-30	01	042	1
3040144002563	0292102730				72-61-20	01	220	1
3040144002570	0292108260				72-61-20	01	030	1
3040145271093	0292990770				72-43-30	01	070	1
3040145780770	0292717210				72-15-00	01	250	1
3040145780771	0292717390				72-15-00	01	250A	1
3040145780772	0292717600				72-15-00	01	250B	1
3040145860439	7292710081				72-15-10	01	250Q	1
3110142845604	9606490801	VF0771	S19040/1-5RLA33-44		72-15-20	01	050	1
3110144198422	9606600107	VF0771	6001X7RBA16-23		72-61-30	01	300A	1
3110144198422	9606600107	VF0771	6001X7RBA16-23		72-61-30	01	400	1
3110144198422	9606600107	VF0771	6001X7RBA16-23		72-61-30	01	410	1
3110144695945	9601490599	VF0563	61905JP63		72-61-30	01	350	1
3110144695945	9601490599	VF0563	61905JP63		72-61-30	01	360	1
3110144695947	9601600199	VD8897	6001YP63S.O.		72-61-30	01	200	1
3110144695947	9601600199	VF0272	6001/C3SO		72-61-30	01	200	1
3110144695947	9601600199	VD8897	6001YP63S.O.		72-61-30	01	210	1
3110144695947	9601600199	VF0272	6001/C3SO		72-61-30	01	210	1
3110144695947	9601600199	VD8897	6001YP63S.O.		72-61-30	01	250	1
3110144695947	9601600199	VF0272	6001/C3SO		72-61-30	01	250	1
3110144695947	9601600199	VD8897	6001YP63S.O.		72-61-30	01	260	1
3110144695947	9601600199	VF0272	6001/C3SO		72-61-30	01	260	1
3110144695947	9601600199	VD8897	6001YP63S.O.		72-61-30	01	300	1
3110144695947	9601600199	VF0272	6001/C3SO		72-61-30	01	300	1
3110144695947	9601600199	VD8897	6001YP63S.O.		72-61-30	01	310	1
3110144695947	9601600199	VF0272	6001/C3SO		72-61-30	01	310	1
3110144697600	9606490501	VF0771	S19025-5-05RBA20		72-61-30	01	350A	1
3110144697600	9606490501	VF0771	S19025-5-05RBA20		72-61-30	01	360A	1
3110145556521	9606490202	VF0771	S19015-1-05RBA20-30		72-32-10	01	370	1
3110145556521	9606490202	VF0771	S19015-1-05RBA20-30		72-61-30	01	060	1
3110145556521	9606490202	VF0771	S19015-1-05RBA20-30		72-61-30	01	110	1
3110145556550	9609000166	VF0771	SPX30/3-07RH3SA22		72-54-20	01	330	1

SAFRAN HELICOPTER ENGINES

ARRIEL 2 C1

ILLUSTRATED PARTS CATALOG

NATO P/N	SAFRAN HELICOPTER ENGINES P/N	MANUFACTURER		AIRLINE STOCK No.	CHAP. SECTION SUBJECT	FIG.	ITEM	QTY
		CODE	P/N					
3110145785125	9609000493	VF0771	CSNX28/4-05RH6SA20/30		72-43-00	02	110	1
3110146013366	9606601003	VF0771	S6050X/9 05RLA30A45		72-61-20	01	130	1
3110146035298	0292102970				72-61-20	01	150	1
3120145230521	0292153330				72-32-00	01	300	1
3940145780365	0292670180				71-21-00	01	010	1
4710145557335	0292757160				72-61-10	01	090	1
4710145557337	0292757140				72-61-10	01	070	1
4710145558784	0292700360				72-15-00	02	100	1
4710145779843	0292757850				72-61-10	01	120	1
4710145780441	0292510340				72-43-00	01	400	3
4720144002650	0301027410				71-71-00	01	300	1
4720145782886	9560165040	VF6409	A22983-01		79-29-00	01	200	1
4720145782887	9560162070	VF6409	A22989-01		79-29-00	01	200A	1
4720145873372	9560166950	VF6285	9993160		79-29-00	01	200B	1
4730143029979	9560130220	VF0215	8TX200BS		71-41-00	01	052	1
4730143029979	9560130220	VF0215	8TX200BS		71-51-00	01	102	1
4730143029979	9560130220	VF0215	8TX200BS		71-51-00	01	142	1
4730143029979	9560130220	VF0215	8TX200BS		72-61-00	01	850	1
4730143130418	9560114630	VF0215	9560114630		72-61-00	01	254	1
4730143130418	9560114630	VF0215	9560114630		73-23-00	01	024	1
4730143653264	9932307060				79-29-00	01	070	1
4730143920993	9936300600				75-29-00	01	550	1
4730144002573	0292300670				72-43-00	01	570	2
4730144002635	0301020260				71-71-00	01	310	1
4730144002636	0301020270				72-61-00	01	010	1
4730144002643	0301020700				72-43-00	01	340	1
4730144002671	0301030080				72-43-00	01	300	1
4730144704177	9945300060				75-29-00	01	200	1
4730144704177	9945300060				75-29-00	01	300	1
4730144844271	9943800060				72-15-00	01	010	1
4730144844271	9943800060				72-15-00	01	050	1
4730144844271	9943800060				72-61-00	01	300	1
4730145221447	0292680640				75-31-00	01	150	1
4730145229693	0000190420	VF1699	01325164009		79-29-00	01	112	1
4730145229694	0000267000				79-29-00	01	110	1
4730145465392	0292370330				73-19-00	01	350	2
4730145557375	0292702380				72-15-20	01	110	1
4730145557375	0292702380				72-15-30	01	150	1
4730145674646	0292760420				77-21-00	01	014A	2
4730145780435	0292670410				71-71-00	01	320	1
4730145780449	0292991020				72-00-00	01	260A	1
4730145780482	0292127140				72-61-00	01	100	1
4730145780746	0292680570				75-31-00	01	170	1
4730145780963	0292670030				73-19-00	01	300	1
4730145780970	0292720470				72-43-00	01	150	1
4730145780970	0292720470				72-43-00	01	200	1
4730145780972	0292720480				72-43-00	01	100	1
4730145780976	0292720620				79-24-00	01	100	1
4730145780978	0292720630				79-25-00	01	100	1
4730145780981	0292720670				72-43-00	01	150A	1
4730145780981	0292720670				72-43-00	01	200A	1
4730145780982	0292720690				72-43-00	01	100A	1
4730145804341	0292670050				71-71-00	01	320A	1
4730145823569	0000260060				79-29-00	01	110A	1
4730145824243	9560177090	VFA3W9	50499002		72-43-00	01	100B	1

SAFRAN HELICOPTER ENGINES

ARRIEL 2 C1

ILLUSTRATED PARTS CATALOG

NATO P/N	SAFRAN HELICOPTER ENGINES P/N	MANUFACTURER		AIRLINE STOCK No.	CHAP. SECTION SUBJECT	FIG.	ITEM	QTY
		CODE	P/N					
4730145824243	9560177090	VFA3W9	50499002		72-43-00	01	150B	1
4730145824243	9560177090	VFA3W9	50499002		72-43-00	01	200B	1
4820144334965	9550158250	VF1976	3162-300		75-31-00	01	050	1
4820145067042	0292687250				71-71-00	01	070	1
4820145674672	0292958070				73-14-00	01	010B	1
4820145780608	0292727180				79-25-00	01	010	1
4820145780611	0292727300				79-25-00	01	010A	1
4920145316246	8819677000				71-91-00	01	060	1
4920145316246	TM1034G001				71-91-00	01	060A	1
4920145677615	9550178230	VF2276	TC382-00		77-21-00	01	010A	1
4920145677615	9550178230	VF2276	TC382-00		77-21-00	01	030A	1
4920145782675	9945300120				72-43-00	01	610	1
4920145782675	9945300120				75-29-00	01	250	1
4920145823645	TM0206G003				71-91-00	01	180A	1
4920995221681	9560130450	VK0624	OLVB6946		72-15-00	01	110	1
4920995221681	9560130450	VK0624	OLVB6946		72-61-00	01	150	1
5305142148330	9567720030	VF1701	SIM0LG3-5		72-15-30	02	090	2
5305142148330	9567720030	VF1701	SIM0LG3-5		72-61-50	01	110	4
5305143024436	9801041814	VF0111	22125BC040018L		72-43-00	01	302	2
5305143249442	9817051414	VF0111	22209BC050014L		72-61-30	01	010	4
5305143678290	9806051425	VF0111	22145CM050014E		72-43-00	01	552	4
5305143690832	9847300800	VF0111	22294CE030008E		71-51-00	01	094	4
5305143690832	9847300800	VF0111	22294CE030008E		72-32-10	01	260	1
5305143728162	9806051225	VF0111	22145CM050012E		72-43-00	01	462	4
5305144095079	0000024460				72-43-00	01	350	1
5305144695990	9840105014	VI9005	EN2940-050014		72-00-00	01	230	3
5305144978996	0292201870				72-43-00	02	160	3
5305145780908	0000025380				72-00-00	01	120	2
5305145780910	0000026870				72-00-00	01	110	2
5306144002564	0292102900				72-61-20	01	034	3
5306144493025	0000025820				79-24-00	01	102	2
5306144677610	0000025590				79-24-00	01	012	3
5306144677685	9836005016	VI9005	EN2928-050016		72-43-20	01	020	10
5306144677687	9836405014	VI9005	EN3686050014		26-11-00	01	012	3
5306144677687	9836405014	VI9005	EN3686050014		26-11-00	01	052	2
5306144677687	9836405014	VI9005	EN3686050014		26-11-00	01	102	3
5306144677687	9836405014	VI9005	EN3686050014		26-11-00	01	202	3
5306144677687	9836405014	VI9005	EN3686050014		71-71-00	01	012	1
5306144677687	9836405014	VI9005	EN3686050014		71-71-00	01	152	1
5306144677687	9836405014	VI9005	EN3686050014		71-71-00	01	164	2
5306144677687	9836405014	VI9005	EN3686050014		72-15-20	01	012	6
5306144677687	9836405014	VI9005	EN3686050014		72-32-10	01	320	1
5306144677687	9836405014	VI9005	EN3686050014		72-32-10	01	490	3
5306144677687	9836405014	VI9005	EN3686050014		72-43-00	01	612	2
5306144677687	9836405014	VI9005	EN3686050014		72-43-10	01	140	8
5306144677687	9836405014	VI9005	EN3686050014		72-61-00	01	072	1
5306144677687	9836405014	VI9005	EN3686050014		72-61-00	01	102	1
5306144677687	9836405014	VI9005	EN3686050014		72-61-00	01	402	1
5306144677687	9836405014	VI9005	EN3686050014		72-61-00	01	702	1
5306144677687	9836405014	VI9005	EN3686050014		72-61-00	01	732	1
5306144677687	9836405014	VI9005	EN3686050014		72-61-00	01	762	2
5306144677687	9836405014	VI9005	EN3686050014		72-61-00	01	832	2
5306144677687	9836405014	VI9005	EN3686050014		72-61-00	01	882	1
5306144677687	9836405014	VI9005	EN3686050014		72-61-00	01	942	1
5306144677687	9836405014	VI9005	EN3686050014		73-19-00	01	012	2

SAFRAN HELICOPTER ENGINES

ARRIEL 2 C1

ILLUSTRATED PARTS CATALOG

NATO P/N	SAFRAN HELICOPTER ENGINES P/N	MANUFACTURER		AIRLINE STOCK No.	CHAP. SECTION SUBJECT	FIG.	ITEM	QTY
		CODE	P/N					
5306144677687	9836405014	VI9005	EN3686050014		73-19-00	01	014	2
5306144677687	9836405014	VI9005	EN3686050014		73-19-00	01	302	2
5306144677687	9836405014	VI9005	EN3686050014		73-19-00	01	402	2
5306144677687	9836405014	VI9005	EN3686050014		73-19-00	01	450	1
5306144677687	9836405014	VI9005	EN3686050014		73-19-00	01	552	4
5306144677687	9836405014	VI9005	EN3686050014		73-19-00	01	602	4
5306144677687	9836405014	VI9005	EN3686050014		75-29-00	01	012	2
5306144677687	9836405014	VI9005	EN3686050014		75-29-00	01	202A	2
5306144677687	9836405014	VI9005	EN3686050014		75-29-00	01	302	2
5306144677687	9836405014	VI9005	EN3686050014		75-29-00	01	402	2
5306144677687	9836405014	VI9005	EN3686050014		75-29-00	01	452	4
5306144677687	9836405014	VI9005	EN3686050014		75-29-00	01	502	2
5306144677687	9836405014	VI9005	EN3686050014		75-29-00	01	502A	1
5306144677687	9836405014	VI9005	EN3686050014		75-29-00	01	510	2
5306144677687	9836405014	VI9005	EN3686050014		77-11-00	01	012A	1
5306144677687	9836405014	VI9005	EN3686050014		77-12-00	01	012A	3
5306144677687	9836405014	VI9005	EN3686050014		77-12-00	01	017A	1
5306144677687	9836405014	VI9005	EN3686050014		77-12-00	01	022A	2
5306144677687	9836405014	VI9005	EN3686050014		77-21-00	01	034	1
5306144677687	9836405014	VI9005	EN3686050014		79-29-00	01	012	2
5306144677687	9836405014	VI9005	EN3686050014		79-29-00	01	054	2
5306144677687	9836405014	VI9005	EN3686050014		79-29-00	01	202B	2
5306144677687	9836405014	VI9005	EN3686050014		79-29-00	01	204	2
5306144677687	9836405014	VI9005	EN3686050014		79-29-00	01	302	1
5306144677687	9836405014	VI9005	EN3686050014		79-29-00	01	316	2
5306144677687	9836405014	VI9005	EN3686050014		79-38-00	01	012	2
5306144695978	9836405012	VI9005	EN3686050012		26-11-00	01	052A	2
5306144695978	9836405012	VI9005	EN3686050012		71-41-00	01	010	3
5306144695978	9836405012	VI9005	EN3686050012		71-51-00	01	048	1
5306144695978	9836405012	VI9005	EN3686050012		71-51-00	01	058	1
5306144695978	9836405012	VI9005	EN3686050012		71-51-00	01	064	1
5306144695978	9836405012	VI9005	EN3686050012		71-51-00	01	068	1
5306144695978	9836405012	VI9005	EN3686050012		71-51-00	01	078	1
5306144695978	9836405012	VI9005	EN3686050012		71-51-00	01	088	1
5306144695978	9836405012	VI9005	EN3686050012		71-51-00	01	092	1
5306144695978	9836405012	VI9005	EN3686050012		71-51-00	01	152	1
5306144695978	9836405012	VI9005	EN3686050012		71-71-00	01	072	2
5306144695978	9836405012	VI9005	EN3686050012		72-54-20	01	100	3
5306144695978	9836405012	VI9005	EN3686050012		72-61-00	01	462	2
5306144695978	9836405012	VI9005	EN3686050012		74-11-10	01	012	4
5306144695978	9836405012	VI9005	EN3686050012		75-29-00	01	202	2
5306144695978	9836405012	VI9005	EN3686050012		75-29-00	01	252	2
5306144695978	9836405012	VI9005	EN3686050012		75-29-00	01	454	1
5306144695978	9836405012	VI9005	EN3686050012		75-29-00	01	503	2
5306144695978	9836405012	VI9005	EN3686050012		79-29-00	01	302A	1
5306144695979	9836405016	VI9005	EN3686050016		71-21-00	01	012	3
5306144695979	9836405016	VI9005	EN3686050016		72-00-00	01	300	8
5306144695979	9836405016	VI9005	EN3686050016		72-15-00	01	012	2
5306144695979	9836405016	VI9005	EN3686050016		72-15-00	01	052	2
5306144695979	9836405016	VI9005	EN3686050016		72-43-00	01	102	2
5306144695979	9836405016	VI9005	EN3686050016		72-43-00	01	152	2
5306144695979	9836405016	VI9005	EN3686050016		72-43-00	01	202	2
5306144695979	9836405016	VI9005	EN3686050016		72-43-00	02	125	2
5306144695979	9836405016	VI9005	EN3686050016		72-61-00	01	034	17
5306144695979	9836405016	VI9005	EN3686050016		72-61-00	01	302	2

Numerical index of NATO part numbers

00-00-42

Page 7
June 15/2023

SAFRAN HELICOPTER ENGINES

ARRIEL 2 C1

ILLUSTRATED PARTS CATALOG

NATO P/N	SAFRAN HELICOPTER ENGINES P/N	MANUFACTURER		AIRLINE STOCK No.	CHAP. SECTION SUBJECT	FIG.	ITEM	QTY
		CODE	P/N					
5306144695979	9836405016	VI9005	EN3686050016		72-61-00	01	652	3
5306144695979	9836405016	VI9005	EN3686050016		72-61-00	02	020	3
5306144695979	9836405016	VI9005	EN3686050016		72-61-10	01	010	23
5306144695979	9836405016	VI9005	EN3686050016		74-11-10	01	102	1
5306144695979	9836405016	VI9005	EN3686050016		75-41-00	01	012	2
5306144695979	9836405016	VI9005	EN3686050016		77-11-00	01	012	1
5306144695979	9836405016	VI9005	EN3686050016		77-12-00	01	012	3
5306144695979	9836405016	VI9005	EN3686050016		77-12-00	01	017	1
5306144695979	9836405016	VI9005	EN3686050016		77-12-00	01	022	2
5306144695979	9836405016	VI9005	EN3686050016		79-25-00	01	102	2
5306144695979	9836405016	VI9005	EN3686050016		79-29-00	01	152	2
5306144695979	9836405016	VI9005	EN3686050016		79-29-00	01	202	4
5306144695979	9836405016	VI9005	EN3686050016		79-29-00	01	202A	2
5306144695979	9836405016	VI9005	EN3686050016		79-29-00	01	402	2
5306144695979	9836405016	VI9005	EN3686050016		79-31-00	01	012	2
5306144695980	9836405018	VI9005	EN3686050018		71-21-00	01	012A	3
5306144695980	9836405018	VI9005	EN3686050018		71-71-00	01	014	1
5306144695980	9836405018	VI9005	EN3686050018		71-71-00	01	122	2
5306144695980	9836405018	VI9005	EN3686050018		72-00-00	01	220	27
5306144695980	9836405018	VI9005	EN3686050018		72-00-00	01	240	27
5306144695980	9836405018	VI9005	EN3686050018		72-15-00	02	080	8
5306144695980	9836405018	VI9005	EN3686050018		72-43-00	01	102A	2
5306144695980	9836405018	VI9005	EN3686050018		72-43-00	01	152A	2
5306144695980	9836405018	VI9005	EN3686050018		72-43-00	01	202A	2
5306144695980	9836405018	VI9005	EN3686050018		72-43-00	01	252	4
5306144695980	9836405018	VI9005	EN3686050018		72-43-00	02	010	28
5306144695980	9836405018	VI9005	EN3686050018		72-43-00	02	130	36
5306144695980	9836405018	VI9005	EN3686050018		72-43-00	02	130A	34
5306144695980	9836405018	VI9005	EN3686050018		72-43-00	02	150	3
5306144695980	9836405018	VI9005	EN3686050018		72-43-00	02	150A	2
5306144695980	9836405018	VI9005	EN3686050018		72-43-30	01	230	8
5306144695980	9836405018	VI9005	EN3686050018		72-61-30	01	172	1
5306144695980	9836405018	VI9005	EN3686050018		72-61-30	01	180	1
5306144695981	9836405020	VI9005	EN3686050020		26-11-00	01	252	2
5306144695981	9836405020	VI9005	EN3686050020		71-21-00	01	012B	3
5306144695981	9836405020	VI9005	EN3686050020		71-21-00	01	052	3
5306144695981	9836405020	VI9005	EN3686050020		72-43-00	02	270	32
5306144695981	9836405020	VI9005	EN3686050020		72-43-10	01	010	8
5306144695981	9836405020	VI9005	EN3686050020		72-54-20	01	160	9
5306144695981	9836405020	VI9005	EN3686050020		72-61-00	01	340	8
5306144695981	9836405020	VI9005	EN3686050020		72-61-00	02	090	8
5306144695982	9836405026	VI9005	EN3686050026		72-43-00	02	270A	32
5306144695982	9836405026	VI9005	EN3686050026		72-61-20	01	050	6
5306144695982	9836405026	VI9005	EN3686050026		72-61-30	01	190A	2
5306144695982	9836405026	VI9005	EN3686050026		79-29-00	01	052	2
5306144695984	9836405034	VI9005	EN3686050034		72-15-30	01	102	2
5306144707600	9836405022	VI9005	EN3686050022		72-00-00	01	310	12
5306144707600	9836405022	VI9005	EN3686050022		72-54-20	01	150	3
5306144707600	9836405022	VI9005	EN3686050022		72-61-00	01	032	2
5306144707600	9836405022	VI9005	EN3686050022		72-61-30	01	170	22
5306144710939	9836405024	VI9005	EN3686050024		26-11-00	01	152	2
5306144710939	9836405024	VI9005	EN3686050024		72-15-00	02	070	22
5306144710939	9836405024	VI9005	EN3686050024		72-61-30	01	170A	22
5306144710939	9836405024	VI9005	EN3686050024		72-61-30	01	170B	21
5306144710939	9836405024	VI9005	EN3686050024		72-61-30	01	190	2

Numerical index of NATO part numbers

Page 8

00-00-42

June 15/2023

SAFRAN HELICOPTER ENGINES

ARRIEL 2 C1

ILLUSTRATED PARTS CATALOG

NATO P/N	SAFRAN HELICOPTER ENGINES P/N	MANUFACTURER		AIRLINE STOCK No.	CHAP. SECTION SUBJECT	FIG.	ITEM	QTY
		CODE	P/N					
5306145207002	9836005010	VI9005	EN2928-050010		77-21-00	01	012	4
5306145207002	9836005010	VI9005	EN2928-050010		77-21-00	01	032	4
5306145293361	0000025960				73-14-00	01	013	3
5306145558716	0292990990				72-43-30	01	070A	1
5306145677622	9836405050	VI9005	EN3686050050		72-15-20	01	072	1
5306145677622	9836405050	VI9005	EN3686050050		79-25-00	01	012	3
5306145781829	9836407018	VI9005	EN3686070018		72-15-20	01	212	6
5306996669703	9836505012	VI9005	EN3613-050012		72-43-10	01	190	6
5306996669703	9836505012	VI9005	EN3613-050012		72-70-00	01	010	2
5307143950413	0000022670				72-43-00	01	090	1
5307143950413	0000022670				72-43-00	01	090A	2
5307144002456	0000023950				72-15-00	01	170	1
5307144979056	0000025840				72-15-00	02	090	4
5307144979056	0000025840				72-61-30	01	160	1
5307145757932	0000026530				72-61-10	01	015	1
5310142095595	9998050021	VF0111	23350CA050		71-41-00	01	054	1
5310142095595	9998050021	VF0111	23350CA050		71-51-00	01	104	1
5310142095595	9998050021	VF0111	23350CA050		71-51-00	01	144	1
5310142095595	9998050021	VF0111	23350CA050		72-43-00	01	464	4
5310142095595	9998050021	VF0111	23350CA050		72-43-00	01	554	4
5310142095595	9998050021	VF0111	23350CA050		72-61-00	01	252	1
5310142095595	9998050021	VF0111	23350CA050		72-61-00	01	855	1
5310142095595	9998050021	VF0111	23350CA050		73-23-00	01	022	1
5310142525969	9867100400	VF0111	22541N040		72-43-00	01	304	2
5310142663870	9867500501	VI9005	EN3196-050		75-31-00	01	054	1
5310142722264	9564090030	VF0224	5SMR2205		73-14-00	01	104	3
5310142722264	9564090030	VF0224	5SMR2205		74-11-10	01	120	5
5310142722265	9564090090	VF0224	5 JSMR 20209 M		73-14-00	01	104A	3
5310142722265	9564090090	VF0224	5 JSMR 20209 M		74-11-10	01	120A	5
5310142828691	9975050024	VF0111	23112CF050		72-15-10	01	310	4
5310142828691	9975050024	VF0111	23112CF050		72-15-20	01	154	5
5310142828691	9975050024	VF0111	23112CF050		72-15-20	01	260	AR
5310142828691	9975050024	VF0111	23112CF050		72-43-00	01	080	1
5310142828691	9975050024	VF0111	23112CF050		72-43-00	01	080A	2
5310142828691	9975050024	VF0111	23112CF050		72-43-00	02	020	3
5310142828691	9975050024	VF0111	23112CF050		72-43-00	02	140	3
5310142828691	9975050024	VF0111	23112CF050		72-43-00	02	140A	2
5310142828691	9975050024	VF0111	23112CF050		72-43-30	01	220	8
5310142828691	9975050024	VF0111	23112CF050		72-43-30	01	250	8
5310142828691	9975050024	VF0111	23112CF050		72-54-20	01	140	3
5310142828691	9975050024	VF0111	23112CF050		72-70-00	01	030	2
5310142828691	9975050024	VF0111	23112CF050		74-11-10	01	104	1
5310142828691	9975050024	VF0111	23112CF050		75-29-00	01	458	1
5310142828691	9975050024	VF0111	23112CF050		79-25-00	01	014	2
5310142828691	9975050024	VF0111	23112CF050		79-29-00	01	306	1
5310142863633	9564090020	VF0224	5SMR4205		72-00-00	01	132	2
5310142941729	9779040039				72-15-20	02	040	1
5310142941801	9975070024				72-15-20	01	214	6
5310142941801	9975070024				72-43-30	01	270	8
5310143180080	9879045028				72-61-20	01	010	1
5310143502850	9560119880	VF0224	5SMF5209M		72-32-10	02	050	3
5310143737064	9866205026	VF0111	22526-050		26-11-00	01	154	2
5310143737064	9866205026	VI9005	EN2906-050		26-11-00	01	154	2
5310143737064	9866205026	VF0111	22526-050		26-11-00	01	254	2
5310143737064	9866205026	VI9005	EN2906-050		26-11-00	01	254	2

SAFRAN HELICOPTER ENGINES

ARRIEL 2 C1

ILLUSTRATED PARTS CATALOG

NATO P/N	SAFRAN HELICOPTER ENGINES P/N	MANUFACTURER		AIRLINE STOCK No.	CHAP. SECTION SUBJECT	FIG.	ITEM	QTY
		CODE	P/N					
5310143737064	9866205026	VF0111	22526-050		71-51-00	01	046	2
5310143737064	9866205026	VI9005	EN2906-050		71-51-00	01	046	2
5310143737064	9866205026	VF0111	22526-050		71-51-00	01	080	1
5310143737064	9866205026	VI9005	EN2906-050		71-51-00	01	080	1
5310143737064	9866205026	VF0111	22526-050		71-51-00	01	090	1
5310143737064	9866205026	VI9005	EN2906-050		71-51-00	01	090	1
5310143737064	9866205026	VF0111	22526-050		71-71-00	01	154	1
5310143737064	9866205026	VI9005	EN2906-050		71-71-00	01	154	1
5310143737064	9866205026	VF0111	22526-050		72-15-00	02	050	26
5310143737064	9866205026	VI9005	EN2906-050		72-15-00	02	050	26
5310143737064	9866205026	VF0111	22526-050		72-15-00	02	082	2
5310143737064	9866205026	VI9005	EN2906-050		72-15-00	02	082	2
5310143737064	9866205026	VF0111	22526-050		72-43-00	01	070	1
5310143737064	9866205026	VI9005	EN2906-050		72-43-00	01	070	1
5310143737064	9866205026	VF0111	22526-050		72-43-00	01	070A	2
5310143737064	9866205026	VI9005	EN2906-050		72-43-00	01	070A	2
5310143737064	9866205026	VF0111	22526-050		72-43-00	01	254	4
5310143737064	9866205026	VI9005	EN2906-050		72-43-00	01	254	4
5310143737064	9866205026	VF0111	22526-050		72-43-00	02	030	28
5310143737064	9866205026	VI9005	EN2906-050		72-43-00	02	030	28
5310143737064	9866205026	VF0111	22526-050		72-43-00	02	120	36
5310143737064	9866205026	VI9005	EN2906-050		72-43-00	02	120	36
5310143737064	9866205026	VF0111	22526-050		72-43-00	02	135	3
5310143737064	9866205026	VI9005	EN2906-050		72-43-00	02	135	3
5310143737064	9866205026	VF0111	22526-050		72-43-00	02	135A	2
5310143737064	9866205026	VI9005	EN2906-050		72-43-00	02	135A	2
5310143737064	9866205026	VF0111	22526-050		72-43-10	01	130	8
5310143737064	9866205026	VI9005	EN2906-050		72-43-10	01	130	8
5310143737064	9866205026	VF0111	22526-050		72-43-20	01	010	10
5310143737064	9866205026	VI9005	EN2906-050		72-43-20	01	010	10
5310143737064	9866205026	VF0111	22526-050		72-43-30	01	210	8
5310143737064	9866205026	VI9005	EN2906-050		72-43-30	01	210	8
5310143737064	9866205026	VF0111	22526-050		72-54-20	01	130	12
5310143737064	9866205026	VI9005	EN2906-050		72-54-20	01	130	12
5310143737064	9866205026	VF0111	22526-050		72-61-10	01	190	1
5310143737064	9866205026	VI9005	EN2906-050		72-61-10	01	190	1
5310143737064	9866205026	VF0111	22526-050		72-61-30	01	150	25
5310143737064	9866205026	VI9005	EN2906-050		72-61-30	01	150	25
5310143737064	9866205026	VF0111	22526-050		72-61-30	01	150A	23
5310143737064	9866205026	VI9005	EN2906-050		72-61-30	01	150A	23
5310143737064	9866205026	VF0111	22526-050		72-61-30	01	150B	22
5310143737064	9866205026	VI9005	EN2906-050		72-61-30	01	150B	22
5310143737064	9866205026	VF0111	22526-050		72-61-30	01	152	2
5310143737064	9866205026	VI9005	EN2906-050		72-61-30	01	152	2
5310143737064	9866205026	VF0111	22526-050		75-29-00	01	456	1
5310143737064	9866205026	VI9005	EN2906-050		75-29-00	01	456	1
5310143737064	9866205026	VF0111	22526-050		75-29-00	01	504	2
5310143737064	9866205026	VI9005	EN2906-050		75-29-00	01	504	2
5310143737064	9866205026	VF0111	22526-050		75-29-00	01	504A	3
5310143737064	9866205026	VI9005	EN2906-050		75-29-00	01	504A	3
5310143737064	9866205026	VF0111	22526-050		75-41-00	01	014	1
5310143737064	9866205026	VI9005	EN2906-050		75-41-00	01	014	1
5310143737064	9866205026	VF0111	22526-050		77-21-00	01	036	1
5310143737064	9866205026	VI9005	EN2906-050		77-21-00	01	036	1
5310143737064	9866205026	VF0111	22526-050		79-29-00	01	304	1

SAFRAN HELICOPTER ENGINES

ARRIEL 2 C1

ILLUSTRATED PARTS CATALOG

NATO P/N	SAFRAN HELICOPTER ENGINES P/N	MANUFACTURER		AIRLINE STOCK No.	CHAP. SECTION SUBJECT	FIG.	ITEM	QTY
		CODE	P/N					
5310143737064	9866205026	VI9005	EN2906-050		79-29-00	01	304	1
5310143790844	9866205025	VI9005	EN 2907-050		72-61-00	01	654	1
5310143830580	0000450490				72-43-00	01	490	AR
5310143830580	0000450490				72-43-00	01	590	AR
5310143957071	9867201000				75-31-00	01	110	1
5310143970898	9749045031				72-61-20	01	020	1
5310144290263	9867500500	VI9005	EN3377-050		71-21-00	01	014	3
5310144290263	9867500500	VI9005	EN3377-050		72-00-00	01	250	27
5310144290263	9867500500	VI9005	EN3377-050		72-61-30	01	154	1
5310144737436	9880300014	VI9005	EN3295-014		72-43-00	02	090	1
5310144737436	9880300014	VI9005	EN3295-014		72-61-30	01	030	1
5310144745956	9866305025	VI9005	EN2909-050		72-43-30	01	240	8
5310144793112	9867400070	VI9005	EN3014-070		72-61-00	01	050	10
5310144886997	0000080910				72-00-00	01	210	1
5310144886997	0000080710				72-00-00	01	210A	1
5310144979057	0000051520				72-43-40	01	010	20
5310145015205	0292300050				72-43-40	01	020	40
5310145023608	9867700050	VI9005	EN3240-050		71-41-00	01	020	3
5310145023608	9867700050	VI9005	EN3240-050		71-51-00	01	070	1
5310145023608	9867700050	VI9005	EN3240-050		71-51-00	01	130	2
5310145023608	9867700050	VI9005	EN3240-050		71-51-00	01	154	1
5310145023608	9867700050	VI9005	EN3240-050		72-61-00	01	862	2
5310145023608	9867700050	VI9005	EN3240-050		73-19-00	01	485	1
5310145223931	9880400014				72-43-00	02	090A	1
5310145223931	9880400014				72-61-30	01	030A	1
5310145271098	0292350010				72-43-40	01	030	20
5310145304835	9880400035				72-15-10	01	020A	1
5310145404601	0000412530				79-24-00	01	014	1
5310145404601	0000412530				79-24-00	01	016	1
5310145404601	0000412530				79-24-00	01	018	1
5310145488801	0000411870				72-61-00	01	656	1
5310145556223	9740120022				72-15-30	01	060	1
5310145557037	0292153190				72-32-10	01	170A	1
5310145557211	0292990070				72-32-00	01	010	1
5310145557215	0292701040				72-15-20	01	114	1
5310145557215	0292701040				72-15-30	01	154	1
5310145557226	0292102460				72-61-30	01	120	1
5310145557231	0292102450				72-61-30	01	430	1
5310145557233	0292102430				72-61-30	01	450	1
5310145557234	0292103310				72-61-40	01	070	1
5310145557239	0292150210				72-32-10	01	380	1
5310145557515	0292150280				72-32-10	01	100	1
5310145659029	9867600050	VI9005	EN2910-050		72-43-00	02	055	3
5310145659029	9867600050	VI9005	EN2910-050		72-43-10	02	010	8
5310145659029	9867600050	VI9005	EN2910-050		72-43-40	01	110B	32
5310145741105	9880300035	VI9005	EN3295-035		72-15-10	01	020	1
5310146035305	0292710510				72-15-10	01	010	1
5310146035309	0292810450				72-54-00	01	010	1
5310146050143	0292300010				72-43-40	01	020A	40
5315140416496	9757030800				72-15-30	02	080	1
5315143216830	9757030600				72-43-10	01	155	2
5315143259597	9757051400				72-61-50	01	150	3
5315145271099	0292300030				72-43-40	01	070	20
5315145271099	0292300030				72-43-40	01	070A	20
5315145556438	9757206018	VI9005	EN3151-060018		72-43-20	01	053	3

SAFRAN HELICOPTER ENGINES

ARRIEL 2 C1

ILLUSTRATED PARTS CATALOG

NATO P/N	SAFRAN HELICOPTER ENGINES P/N	MANUFACTURER		AIRLINE STOCK No.	CHAP. SECTION SUBJECT	FIG.	ITEM	QTY
		CODE	P/N					
5315145557076	0292707100				72-15-30	02	030	1
5315145557076	0292707100				72-61-50	01	210	3
5315145557078	0292107500				72-61-50	01	230	3
5315145557079	0292708530				72-15-30	02	010A	6
5320143078869	9961240621	VF0111	21217CA2406		72-00-00	01	134	4
5320143078869	9961240621	VF0111	21217CA2406		73-14-00	01	102	6
5320143078869	9961240621	VF0111	21217CA2406		74-11-10	01	122	10
5320143388388	9960240421	VF0111	21215CA2404		72-32-10	02	030	6
5320143497329	9961240521	VF0111	21217CA2405		72-70-00	01	220	14
5325123891779	9729105082	VI9005	EN3542-050063		72-43-00	02	175	14
5325123891779	9729105082	VI9005	EN3542-050063		72-43-00	03	010	6
5325123891779	9729105082	VI9005	EN3542-050063		72-43-00	03	010A	4
5325123891779	9729105082	VI9005	EN3542-050063		72-43-30	01	155A	9
5325123891779	9729105082	VI9005	EN3542-050063		72-43-40	01	110A	32
5325123891779	9729105082	VI9005	EN3542-050063		72-43-40	01	110C	32
5325140400493	9745007005				72-15-30	02	012	1
5325140400493	9745007005				72-15-30	02	032	1
5325140400493	9745007005				72-15-30	02	052	1
5325140400493	9745007005				72-61-50	01	215	1
5325140400494	9745008005				72-61-20	01	032	3
5325142009983	9744028100	VD8286	DIN472_28x1.2_1		72-61-30	01	100	1
5325142131949	9744038100	VD8286	DIN472_38x1.5_1		72-61-20	01	210	2
5325142280893	9745006005				72-61-50	01	235	1
5325142853979	9744062100	VD8286	DIN472_62x2_1		72-15-20	01	040	1
5325143179851	9744019100	VD8286	DIN472_19x1_1		72-61-40	01	010	1
5325143865997	9728030503	VF1699	01329030501		72-32-10	01	402	1
5325144125588	9728071004	VI9005	EN2944-070140		72-15-20	02	020	6
5325144128967	9728050804	VI9005	EN2944-050100		72-15-20	02	010	14
5325144128967	9728050804	VI9005	EN2944-050100		72-15-20	02	010A	19
5325144128967	9728050804	VI9005	EN2944-050100		72-15-30	02	070	51
5325144128967	9728050804	VI9005	EN2944-050100		72-15-30	02	070A	54
5325144128967	9728050804	VI9005	EN2944-050100		72-15-30	02	070B	52
5325144128967	9728050804	VI9005	EN2944-050100		72-54-20	01	202	3
5325144128967	9728050804	VI9005	EN2944-050100		72-61-40	01	105	12
5325144128967	9728050804	VI9005	EN2944-050100		72-61-50	01	020	7
5325144128967	9728050804	VI9005	EN2944-050100		72-61-50	01	130	42
5325144128967	9728050804	VI9005	EN2944-050100		72-61-50	01	130A	41
5325144128967	9728050804	VI9005	EN2944-050100		72-61-50	01	260	50
5325144128967	9728050804	VI9005	EN2944-050100		72-61-50	01	260A	47
5325144128967	9728050804	VI9005	EN2944-050100		72-61-50	01	260B	49
5325144128968	9728050805	VI9005	EN2944-050125		72-00-00	01	152	1
5325144128971	9728061004	VI9005	EN2944-060120		72-61-50	01	030	4
5325144290271	9729105083	VI9005	EN3542-050075		72-43-00	03	020	14
5325144290271	9729105083	VI9005	EN3542-050075		72-43-30	01	155	9
5325144290271	9729105083	VI9005	EN3542-050075		72-43-40	01	110	32
5325144290271	9729105083	VI9005	EN3542-050075		72-54-20	01	402	2
5325145229689	0000130830				79-29-00	01	105B	1
5325145348349	9728050803	VI9005	EN2944-050075		72-32-10	02	020	1
5325145348349	9728050803	VI9005	EN2944-050075		72-43-10	02	040	6
5325145348349	9728050803	VI9005	EN2944-050075		72-43-20	01	056	27
5325145348349	9728050803	VI9005	EN2944-050075		72-61-00	01	502	2
5325145348349	9728050803	VI9005	EN2944-050075		72-61-10	01	026	2
5325145785013	9729107101				72-43-10	02	030	1
5325145998432	0000190050	VF1699	01329144001		79-29-00	01	112A	1
5330010435143	9560115450	V04171	71075-1		72-61-00	01	390	1

SAFRAN HELICOPTER ENGINES

ARRIEL 2 C1

ILLUSTRATED PARTS CATALOG

NATO P/N	SAFRAN HELICOPTER ENGINES P/N	MANUFACTURER		AIRLINE STOCK No.	CHAP. SECTION SUBJECT	FIG.	ITEM	QTY
		CODE	P/N					
5330010435143	9560115450	V04171	71075-1		72-61-00	01	440	1
5330010435206	9560116010	V04171	021-517		72-61-00	01	393	1
5330010435206	9560116010	V04171	021-517		72-61-00	01	443	1
5330010435209	9560116020	V04171	026-517		72-61-00	01	394	1
5330010435209	9560116020	V04171	026-517		72-61-00	01	444	1
5330010852785	9560140340	V04171	140-517		72-61-20	01	123	1
5330013675804	9560134100	V04171	79008-1		72-61-20	01	122	1
5330140100890	9752005044				72-61-20	01	060	6
5330140100897	9752008044				72-15-20	02	050	1
5330140323858	9752100080				73-19-00	01	370	2
5330142162794	9752004044				72-43-00	01	360	1
5330143451198	9752100100				75-29-00	01	560	1
5330143451198	9752100100				75-31-00	01	080	1
5330143785655	0000230870				72-43-00	01	482	AR
5330143785655	0000230870				72-43-00	01	502	AR
5330143785655	0000230870				72-43-00	01	562	2
5330143785655	0000230870				72-43-00	01	582	AR
5330143785655	0000230870				72-43-00	01	602	AR
5330143790851	0000230850				72-43-00	01	480	AR
5330143790851	0000230850				72-43-00	01	500	AR
5330143790851	0000230850				72-43-00	01	560	2
5330143790851	0000230850				72-43-00	01	580	AR
5330143790851	0000230850				72-43-00	01	600	AR
5330143970869	0292102940				72-61-20	01	100	1
5330143970871	0292108170				72-61-20	01	120	1
5330144677689	9945000060				75-29-00	01	030	1
5330144677689	9945000060				75-29-00	01	230	1
5330144677689	9945000060				75-29-00	01	320	1
5330144677689	9945000060				75-29-00	01	430	1
5330144677689	9945000060				75-29-00	01	480	1
5330144677689	9945000060				75-29-00	01	530	1
5330144677691	9945000120				71-71-00	01	090	1
5330144677691	9945000120				72-43-00	01	620	1
5330144677691	9945000120				75-29-00	01	280	1
5330145557707	0314160050				72-32-10	01	470	1
5330145782858	9560166810	VF1253	3-12ZA00-921		72-43-00	01	130	1
5330145782858	9560166810	VF1253	3-12ZA00-921		72-43-00	01	180	1
5330145782858	9560166810	VF1253	3-12ZA00-921		72-43-00	01	230	1
5330145785023	9752100070				72-43-10	02	020	1
5330145823647	0292510100				72-43-00	01	132	1
5330145823647	0292510100				72-43-00	01	182	1
5330145823647	0292510100				72-43-00	01	232	1
5330145823661	0292510120				72-43-00	01	132A	1
5330145823661	0292510120				72-43-00	01	182A	1
5330145823661	0292510120				72-43-00	01	232A	1
5330145998427	9560177240	VFA3W9	30004937		72-43-00	01	110	1
5330145998427	9560177240	VFA3W9	30004937		72-43-00	01	160	1
5330145998427	9560177240	VFA3W9	30004937		72-43-00	01	210	1
5331001727188	9560140350	V04171	146517		72-61-20	01	124	1
5331016237068	9560142440	V04171	140-567		72-61-20	01	123A	1
5331016237068	9560156580	V04171	140-547		72-61-20	01	123B	1
5331016237071	9560142450	V04171	146-567		72-61-20	01	124A	1
5331016237071	9560156880	V04171	146-547		72-61-20	01	124B	1
5331143790652	9794080203				72-15-30	01	080	1
5331143790652	9794080203				75-31-00	01	100	1

SAFRAN HELICOPTER ENGINES

ARRIEL 2 C1

ILLUSTRATED PARTS CATALOG

NATO P/N	SAFRAN HELICOPTER ENGINES P/N	MANUFACTURER		AIRLINE STOCK No.	CHAP. SECTION SUBJECT	FIG.	ITEM	QTY
		CODE	P/N					
5331143790652	9794080203				75-31-00	01	180	1
5331143827606	9681801082				72-15-00	01	120	2
5331143827606	9681801082				72-61-00	01	160	2
5331143885777	9682001003				72-15-00	02	110	2
5331143914142	9794172203				72-00-00	01	350	1
5331143914142	9794172203				72-61-10	01	080	1
5331143919896	9682004403				72-61-00	02	100	1
5331143938281	9682000852				72-00-00	01	270	2
5331143938283	9794095203				72-00-00	01	360	2
5331143938283	9794095203				72-61-10	01	130	1
5331143938330	9681900573				72-43-00	01	330	2
5331143938331	9682004004				72-61-00	01	380	1
5331143957057	9681801222				77-12-00	01	040	3
5331143957143	9794190253				72-15-00	01	140	1
5331143957143	9794190253				72-15-00	01	160	1
5331143957143	9794190253				72-61-00	01	180	1
5331143957143	9794190253				72-61-00	01	210	1
5331144008189	9681500404				79-24-00	01	015	1
5331144008189	9681500404				79-24-00	01	017	1
5331144008189	9681500404				79-24-00	01	019	1
5331144008190	9681500504				72-61-00	01	020	1
5331144008193	9681501054				72-61-10	01	100	1
5331144008194	9681501404				72-61-40	01	040	1
5331144008197	9681506552				72-15-20	01	240	1
5331144008200	9681508502				72-00-00	01	290	2
5331144008204	9682001372				72-61-00	01	090	1
5331144008204	9682001372				72-61-00	01	120	1
5331144008207	9682003092				72-00-00	01	180	1
5331144008209	9682011203				72-61-20	01	180	1
5331144008210	9682013102				72-00-00	01	340	1
5331144008211	9682503092				72-61-20	01	230	1
5331144008212	9682504402				72-61-20	01	190	1
5331144008214	9682508403				72-00-00	01	280	1
5331144142830	9682011652				72-61-10	01	050	1
5331144191015	9794410056	VF0111	46012A00560		71-71-00	01	040	1
5331144191015	9794410056	VF0111	46012A00560		72-15-00	01	030	1
5331144191015	9794410056	VF0111	46012A00560		72-15-00	01	080	1
5331144191015	9794410056	VF0111	46012A00560		72-61-00	01	320	1
5331144191015	9794410056	VF0111	46012A00560		73-19-00	01	320	1
5331144191015	9794410056	VF0111	46012A00560		73-19-00	01	440	1
5331144191015	9794410056	VF0111	46012A00560		75-29-00	01	440	1
5331144191015	9794410056	VF0111	46012A00560		75-29-00	01	490	1
5331144191015	9794410056	VF0111	46012A00560		79-29-00	01	030	1
5331144191015	9794410056	VF0111	46012A00560		79-29-00	01	230	2
5331144191016	9794410075	VF0111	46012A00750		71-71-00	01	180	1
5331144191016	9794410075	VF0111	46012A00750		72-15-00	01	094	1
5331144191016	9794410075	VF0111	46012A00750		72-61-00	01	134	1
5331144191016	9794410075	VF0111	46012A00750		73-19-00	01	040	1
5331144191016	9794410075	VF0111	46012A00750		79-29-00	01	080	1
5331144191016	9794410075	VF0111	46012A00750		79-29-00	01	090	1
5331144191016	9794410075	VF0111	46012A00750		79-29-00	01	140	2
5331144191016	9794410075	VF0111	46012A00750		79-29-00	01	140A	1
5331144191016	9794410075	VF0111	46012A00750		79-29-00	01	180	1
5331144191017	9794410095	VF0111	46012A00950		72-61-00	01	780	1
5331144191017	9794410095	VF0111	46012A00950		73-19-00	01	570	1

Numerical index of NATO part numbers

00-00-42

Page 14
June 15/2023

SAFRAN HELICOPTER ENGINES

ARRIEL 2 C1

ILLUSTRATED PARTS CATALOG

NATO P/N	SAFRAN HELICOPTER ENGINES P/N	MANUFACTURER		AIRLINE STOCK No.	CHAP. SECTION SUBJECT	FIG.	ITEM	QTY
		CODE	P/N					
5331144191017	9794410095	VF0111	46012A00950		73-19-00	01	580	1
5331144191017	9794410095	VF0111	46012A00950		73-19-00	01	630	1
5331144191017	9794410095	VF0111	46012A00950		73-19-00	01	640	1
5331144191018	9794410150	VF0111	46012A01500		79-24-00	01	130	1
5331144191018	9794410150	VF0111	46012A01500		79-25-00	01	130	1
5331144191018	9794410150	VF0111	46012A01500		79-29-00	01	340	1
5331144191018	9794410150	VF0111	46012A01500		79-29-00	01	430	1
5331144191020	9794410500	VF0111	46012A05000		72-61-00	01	690	1
5331144191021	9794420560	VF0111	46012B05600		72-61-00	01	620	1
5331144215611	9681501153				72-61-10	01	110	1
5331144290275	9794410069	VF0111	46012A00690		72-15-00	01	104	1
5331144290277	9794410100	VF0111	46012A01000		79-31-00	01	030	1
5331144308930	9794410132	VF0111	46012A01320		73-19-00	01	030	1
5331144364441	9794410236	VF0111	46012A02360		79-38-00	01	050	1
5331144430196	9520011818	VF0559	AJ-0187701780EAO		72-61-00	01	473	1
5331144435923	9794410140	VF0111	46012A01400		72-61-00	01	720	1
5331144435923	9794410140	VF0111	46012A01400		72-61-00	01	750	1
5331144435923	9794410140	VF0111	46012A01400		72-61-00	01	910	1
5331144435923	9794410140	VF0111	46012A01400		72-61-00	01	960	1
5331144435923	9794410140	VF0111	46012A01400		72-61-00	02	050	1
5331144435923	9794410140	VF0111	46012A01400		77-11-00	01	040	1
5331144677666	9794410088	VF0111	46012A00875		72-00-00	01	270A	2
5331144677668	9794410106	VF0111	46012A01060		72-15-30	01	090	1
5331144677668	9794410106	VF0111	46012A01060		79-25-00	01	030	1
5331144677669	9794410125	VF0111	46012A01250		72-61-00	01	480	1
5331144677669	9794410125	VF0111	46012A01250		79-25-00	01	040	1
5331144677671	9794410180	VF0111	46012A01800		72-61-00	01	473A	1
5331144677671	9794410180	VF0111	46012A01800		72-61-00	01	490	1
5331144677671	9794410180	VF0111	46012A01800		72-61-00	02	060	1
5331144677674	9794410355	VF0111	46012A03550		72-61-00	01	420	1
5331144677676	9794410630	VF0111	46012A06300		72-15-20	01	030	1
5331144695964	9794410365	VF0111	46012A03650		72-61-00	01	430	1
5331144755303	9794420400	VF0111	46012B04000		72-61-00	01	510	1
5331144819116	9794410060	VF0111	46012A00600		72-32-10	01	360	1
5331144819116	9794410060	VF0111	46012A00600		72-61-00	01	144	1
5331145067158	9794430250	VF0111	46012C02500		72-61-00	01	530	2
5331145228795	9794420080	VF0111	46012B00800		79-38-00	01	032	1
5331145249967	9794410085	VF0111	46012A00850		71-71-00	01	140	1
5331145537478	9681503502				72-61-30	01	020	1
5331145545821	9794420315	VF0111	46012B03150		72-61-20	01	230A	1
5331145556157	9681505002				72-32-10	01	480	1
5331145556167	9682006962				72-32-10	01	130	1
5331145556168	9682030003				72-61-30	01	470	1
5331145556169	9682129152				72-15-30	01	010	1
5331145561055	9794420236	VF0111	46012B02360		72-61-00	01	580	1
5331145782889	9794420487	VF0111	46012B04870		72-61-00	01	570	1
5331145783534	9560165990	VF0384	OR10X2-70FFKM151400		72-43-00	01	270	1
5331145783534	9560165990	VF0384	OR10X2-70FFKM151400		72-43-00	01	280	1
5331145783534	9560165990	VF0384	OR10X2-70FFKM151400		72-43-00	01	290	1
5331145785031	9794420580	VF0111	46012B05800		72-61-00	01	610	1
5331145785176	9560176660	VF0384	49082243		72-43-00	01	270A	1
5331145785176	9560176660	VF0384	49082243		72-43-00	01	280A	1
5331145785176	9560176660	VF0384	49082243		72-43-00	01	290A	1
5340121726624	9560111150	VF6069	GPN610U20RGE		71-91-00	01	100	1
5340121726624	9560111150	VF6069	GPN610U20RGE		71-91-00	01	160	1

SAFRAN HELICOPTER ENGINES

ARRIEL 2 C1

ILLUSTRATED PARTS CATALOG

NATO P/N	SAFRAN HELICOPTER ENGINES P/N	MANUFACTURER		AIRLINE STOCK No.	CHAP. SECTION SUBJECT	FIG.	ITEM	QTY
		CODE	P/N					
5340142137579	9789221500				71-91-00	01	100A	1
5340142137579	9789221500				71-91-00	01	200	1
5340142933960	0400410010	VU1653	AS12811		73-19-00	01	470	1
5340142933960	0400410010	VU1653	AS12811		75-29-00	01	462	2
5340142933961	0400420010	VU1653	AS12841		73-19-00	01	460	1
5340142933961	0400420010	VU1653	AS12841		75-29-00	01	460	2
5340143122869	0268980110				72-61-00	01	256	2
5340143122869	0268980110				73-23-00	01	026	2
5340143122870	0268987050				72-61-00	01	250	1
5340143122870	0268987050				73-23-00	01	020	1
5340143298280	9560117610	VF0215	9560117610		71-51-00	01	076B	1
5340143298280	9560117610	VF0355	58 0 171 002		71-51-00	01	076B	1
5340143388782	0400410020	VU1653	AS12812		71-71-00	01	156	1
5340143388782	0400410020	VU1653	AS12812		79-29-00	01	310	1
5340143388786	0400420020	VU1653	AS12842		71-71-00	01	158	1
5340143388786	0400420020	VU1653	AS12842		79-29-00	01	308	1
5340143668631	9560154770	VF0215	11N6		75-29-00	01	506	2
5340143668631	9560154770	VF0215	11N6		75-29-00	01	506A	3
5340143853986	0301000850				71-51-00	01	086	1
5340144002613	0301010540				71-51-00	01	082	1
5340144002613	0301010540				71-71-00	01	162	1
5340144002613	0301010540				75-29-00	01	508	2
5340144002613	0301010540				79-29-00	01	314	1
5340144112406	9562811300	VF0215	21F6		71-51-00	01	076	1
5340144182210	0319767180				77-21-00	01	018A	1
5340144192195	9560151220	VF0215	21F15		71-51-00	01	054	1
5340144192197	9560151240	VF0215	21F19		71-51-00	01	060	1
5340144217293	0333767010				77-21-00	01	018	1
5340144290264	0292808740				72-70-00	01	050	1
5340144435935	0333750630				72-61-10	01	180	1
5340144435935	0333750630				77-21-00	01	040	1
5340144704084	9560158950	VF0355	580-181-020		71-51-00	01	084	2
5340144839462	9560128730	VF0224	5080LATE10CMK-BD		72-70-00	01	240	7
5340144844260	9560166220	VF0215	9560166220		71-51-00	01	072	2
5340144844261	9560166230	VF0215	9560166230		71-51-00	01	042	4
5340144844262	9560166240	VF0215	9560166240		71-51-00	01	044	2
5340145067071	0319767900				74-24-10	01	020	3
5340145172142	9562811260	VF0215	21F9,5		77-21-00	01	016	1
5340145172142	9562811260	VF0215	21F9,5		77-21-00	01	038	1
5340145227408	9560166210	VF0215	9560166210		71-51-00	01	040	4
5340145227408	9560166210	VF0215	9560166210		71-51-00	01	066	1
5340145468462	0235341360				71-51-00	01	050	1
5340145488822	9520011817	VF0559	PAO 1583 A		72-61-00	01	472	1
5340145534442	0084004530				72-61-10	01	023	1
5340145557054	0292150820				72-32-10	01	270	1
5340145557369	0292101920				72-61-30	01	383	1
5340145557380	0292150220				72-32-10	01	390	1
5340145558064	0292910020				72-15-20	01	210	1
5340145558181	0084004520				72-15-30	02	100	1
5340145558181	0084004520				72-32-10	02	040	1
5340145757908	0292750010				72-61-10	01	140A	2
5340145757910	0292750150				72-61-10	01	140	2
5340145757917	0292817480				72-70-00	01	050A	1
5340145758020	0268987150				72-61-00	01	250A	1
5340145758020	0268987150				73-23-00	01	020A	1

Numerical index of NATO part numbers

00-00-42

Page 16
June 15/2023

SAFRAN HELICOPTER ENGINES

ARRIEL 2 C1

ILLUSTRATED PARTS CATALOG

NATO P/N	SAFRAN HELICOPTER ENGINES P/N	MANUFACTURER		AIRLINE STOCK No.	CHAP. SECTION SUBJECT	FIG.	ITEM	QTY
		CODE	P/N					
5340145778912	9560169680	VF0215	9560169680		72-61-00	01	254A	1
5340145778912	9560169680	VF0215	9560169680		73-23-00	01	024A	1
5340145780375	0292120940				72-61-00	01	760	1
5340145780377	0319140620				72-61-00	01	700	1
5340145780377	0319140620				72-61-00	01	730	1
5340145780377	0319140620				72-61-00	01	940	1
5340145780753	0301010550				75-29-00	01	512	1
5340145784988	9560175960	VF0355	580 101 191		71-51-00	01	076A	1
5340145823539	0292510040				72-43-00	01	140	1
5340145823539	0292510040				72-43-00	01	190	1
5340145823539	0292510040				72-43-00	01	240	1
5340145823710	0292510080				72-43-00	01	135	1
5340145823710	0292510080				72-43-00	01	185	1
5340145823710	0292510080				72-43-00	01	235	1
5340145920246	7000000134				72-70-00	01	102	AR
5342144008169	9560125160	VF6275	C6048-25.B-ISO		75-31-00	01	052	1
5342144364421	0084004510				72-43-00	03	050	1
5360145561038	0292120800				72-61-00	01	540	1
5365140323863	0000450500				72-43-00	01	492	AR
5365140323863	0000450500				72-43-00	01	592	AR
5365143072042	9740050022				72-15-00	02	060	34
5365143072042	9740050022				72-15-00	02	084	2
5365143072042	9740050022				72-15-20	01	074	1
5365143072042	9740050022				72-15-20	01	270	AR
5365143072042	9740050022				72-15-30	01	024	2
5365143072042	9740050022				72-15-30	01	104	2
5365143180082	9994050024				72-32-10	01	335A	1
5365143180082	9994050024				72-32-10	01	340	1
5365143525941	9897050031				72-15-20	02	080	3
5365143760363	9892100070				72-15-00	01	150	1
5365143760363	9892100070				72-61-00	01	200	1
5365143934316	9786510100				75-31-00	01	070	1
5365144091147	9880054025				72-54-20	01	030	1
5365144095136	0292750390				72-61-10	01	150	2
5365144125537	0292750400				72-61-10	01	160	4
5365144435924	0000410170				72-15-00	01	180	1
5365145059180	9897100500				72-54-20	01	408	1
5365145143525	0292103360				72-61-50	01	010	1
5365145229691	0000130950				79-29-00	01	105	AD
5365145229692	0000130960				79-29-00	01	105A	1
5365145270637	0292450020				72-43-00	03	040	3
5365145287710	9560171170	VFA3W9	32059001		72-15-00	01	090	1
5365145287710	9560171170	VFA3W9	32059001		72-61-00	01	130	1
5365145290562	9520011655	VFA3W9	32069101		72-15-00	01	092	1
5365145290562	9520011655	VFA3W9	32069101		72-61-00	01	132	1
5365145304858	0292152460				72-32-10	02	010	3
5365145462545	9520011819	VF0559	07550200106559A		72-61-00	01	470	1
5365145462546	9520011820	VF0559	07550200105559A		72-61-00	01	471	1
5365145557032	0292102950				72-61-20	01	127	1
5365145557033	0292151450				72-32-10	01	230	1
5365145557213	0292103320				72-61-40	01	070B	1
5365145557229	0292103300				72-61-40	01	070A	1
5365145557966	0292151300				72-32-10	01	310	1
5365145557969	0292151460				72-32-10	01	180	1
5365145557970	0292102080				72-61-30	01	080	1

Numerical index of NATO part numbers

00-00-42

Page 17
June 15/2023

SAFRAN HELICOPTER ENGINES

ARRIEL 2 C1

ILLUSTRATED PARTS CATALOG

NATO P/N	SAFRAN HELICOPTER ENGINES P/N	MANUFACTURER		AIRLINE STOCK No.	CHAP. SECTION SUBJECT	FIG.	ITEM	QTY
		CODE	P/N					
536514558020	0292204400				72-43-20	01	090A	1
536514558022	0292202080				72-43-00	02	220	1
536514558024	0292990700				72-43-00	02	190	1
5365145780494	0292460060				72-43-00	02	053	3
5365145780494	0292460060				72-43-00	03	030	3
5365145780496	0292760340				77-21-00	01	014	2
5365145780498	0292810620				72-43-00	02	053A	3
5365145780500	7292152461				72-32-10	02	010A	3
5365145780500	7292152461				72-32-10	02	012	3
5365145780502	7292152463				72-32-10	02	010B	3
5365145780502	7292152463				72-32-10	02	014	3
5365145780503	7292152466				72-32-10	02	010C	3
5365145780503	7292152466				72-32-10	02	016	3
5365145784968	9560167230	VF0183	28460		72-61-00	01	900	1
5365145998854	0292120360				72-61-20	01	200	1
5930145536484	9550170830	V98505	8557-1		79-31-00	01	010	1
5930145674515	0177987070				72-61-20	01	280A	1
5935145424078	9550171750	VF9211	4901-1		79-38-00	01	010	1
5970142933962	0400430060	VU1653	AS12872		73-19-00	01	480	1
5970142933962	0400430060	VU1653	AS12872		75-29-00	01	464	2
5970143114657	0400430080	VU1653	AS12874		71-71-00	01	160	1
5970143114657	0400430080	VU1653	AS12874		79-29-00	01	312	1
5970144380660	9550163892	VF0286	RNF3000-24/8-9		71-51-00	01	052	AR
5970144380660	9550163892	VF0286	RNF3000-24/8-9		71-51-00	01	056	AR
5970144704077	9550163872	VF0286	RNF3000-24/8-4		71-51-00	01	062	AR
5970144704078	9550163882	VF0286	RNF3000-24/8-6		71-51-00	01	074	AR
5975010505225	9560133940	VFAAM1	TYZ25M		71-51-00	01	095	3
5975010505225	9560133940	VF6728	TYZ25M		71-51-00	01	095	3
5975010505225	9560175240	VF9756	PLT2S-M76		71-51-00	01	095A	3
5975010505225	9560133940	VFAAM1	TYZ25M		71-51-00	01	096	1
5975010505225	9560133940	VF6728	TYZ25M		71-51-00	01	096	1
5975010505225	9560175240	VF9756	PLT2S-M76		71-51-00	01	096A	1
5975010505225	9560133940	VFAAM1	TYZ25M		71-51-00	01	097	2
5975010505225	9560133940	VF6728	TYZ25M		71-51-00	01	097	2
5975010505225	9560175240	VF9756	PLT2S-M76		71-51-00	01	097A	2
5975010505225	9560133940	VFAAM1	TYZ25M		71-51-00	01	200	7
5975010505225	9560133940	VF6728	TYZ25M		71-51-00	01	200	7
5975010505225	9560175240	VF9756	PLT2S-M76		71-51-00	01	200A	7
5975145674596	0292697520				72-43-00	01	010A	1
5998145209136	0177987030				72-61-20	01	280	1
6150143494398	0294747000				71-51-00	01	150	AD
6150143494398	0294747000				72-61-00	01	800	1
6150144002471	0084117100				71-21-00	01	100	1
6150144002472	0084117120				72-61-00	01	060	1
6150145780962	0292767070				77-21-00	01	050	1
6150145780996	0084117300				71-51-00	01	150A	1
6150145823574	0292697640				71-51-00	01	010A	1
6350145034830	9550173110	VF9211	H243		26-11-00	01	010	1
6350145034830	9550173110	VF9211	H243		26-11-00	01	100	1
6350145034831	9550173140	VF9211	H443		26-11-00	01	200	1
6350145263347	9550177160	VF9211	H443_1		26-11-00	01	200A	1
6350145263348	9550177130	VF9211	H243-1		26-11-00	01	010A	1
6350145263348	9550177130	VF9211	H243-1		26-11-00	01	100A	1
6620145067146	9550171420	VF2276	CZ5MC6-3		75-41-00	01	010A	1
6635997355153	9560130460	VK0624	OLVB3419		72-15-00	01	130	1

Numerical index of NATO part numbers

00-00-42

Page 18
June 15/2023

SAFRAN HELICOPTER ENGINES

ARRIEL 2 C1

ILLUSTRATED PARTS CATALOG

NATO P/N	SAFRAN HELICOPTER ENGINES P/N	MANUFACTURER		AIRLINE STOCK No.	CHAP. SECTION SUBJECT	FIG.	ITEM	QTY
		CODE	P/N					
6635997355153	9560130460	VK0624	OLVB3419		72-61-00	01	170	1
6680145342774	9550177390	VF1976	1604-300		72-61-00	01	880A	1
6680145342774	9550177390	VF1976	1604-300		77-11-00	01	010A	1
6680145424087	9550179190	VF1976	1604300-01		72-61-00	01	880B	1
6680145424087	9550179190	VF1976	1604300-01		77-11-00	01	010B	1
6680145488559	9550175810	VF6840	VIT7100040		72-61-00	01	880C	1
6680145488559	9550175810	VF6840	VIT7100040		77-11-00	01	010C	1
6680145674654	9550175800	VF6840	VIT7100030		77-12-00	01	010B	3
6680145674654	9550175800	VF6840	VIT7100030		77-12-00	01	010E	AD
6680145674654	9550175800	VF6840	VIT7100030		77-12-00	01	015A	1
6680145674654	9550175800	VF6840	VIT7100030		77-12-00	01	020A	2
6680145778934	9550177360	VF1976	1604-000		77-12-00	01	010C	3
6680145778934	9550177360	VF1976	1604-000		77-12-00	01	015	1
6680145778934	9550177360	VF1976	1604-000		77-12-00	01	020	2
6680145778935	9550179160	VF1976	1604000-01		77-12-00	01	010D	3
6680145823700	9550000100	VS3866	388Z-05644		77-12-00	01	010F	3
6695015233452	9550166140	V34345	APT190-13BAR-A		75-41-00	01	010	1
6695145209141	9550165760	VF1976	1409-000		72-61-00	01	880	1
6695145209141	9550165760	VF1976	1409-000		77-11-00	01	010	1
6695145782785	9550172120	V97424	610523-02		77-12-00	01	010A	3
6695145782791	9550168670	VF1976	1424-000		77-12-00	01	010	3
7510016227433	9550004800	VF5496	3100-0113		74-11-10	01	011	1
9505142649843	9997405001	VF0111	23320CA050		79-29-00	01	102	AR
9505142649843	9997405001	VF0111	23320CA050		79-29-00	01	154	AR
9905145557130	0084004550				72-43-00	02	360	1
9905145557133	0084003850				72-15-00	02	120	1
9905145557133	0084003850				72-32-00	01	200A	1

Numerical index of NATO part numbers

00-00-42

Page 19
June 15/2023

PAGE LEFT BLANK INTENTIONALLY

LIST OF MANUFACTURER CODES

CODE	MANUFACTURER
0051T	BLANCHARDET EN ATTENTE / PENDING
02101	OECO, LLC DBA PACIFIC SCIENTIFIC OECO 4607 SE INTERNATIONAL WAY-97222-4619 MILWAUKIE-OR-UNITED STATES
04171	MAGNETIC SEAL CORP. 365 MARKET ST-02885-2636 WARREN-RI-UNITED STATES
04319	PARKER-HANNIFIN CORPORATION DBA ADVANCED PRODUCTS OPERATION DIV COMPOSITE SEALING SYSTEMS DIVISION 33 DEFCO PARK RD-06473-1129 NORTH HAVEN-CT-UNITED STATES
11583	CHAMPION SPARK PLUG CO AVIATION PRODUCTS DIV -29601 GREENVILLE-SC-UNITED STATES
34345	KULITE SEMICONDUCTOR PRODUCTS, INC ONE WILLOW TREE RD-07605-2239 LEONIA-NJ-UNITED STATES
59501	UNISON INDUSTRIES, LLC 7575 BAYMEADOWS WAY-32256-7525 JACKSONVILLE-FL-UNITED STATES
90827	DYNA-EMPIRE INC 1075 STEWART AVE-11530-4812 GARDEN CITY-NY-UNITED STATES
97424	AMETEK INC. DBA AMETEK AEROSPACE & DEFENSE DIV AEROSPACE AND DEFENSE 50 FORDHAM RD-01887-2177 WILMINGTON-MA-UNITED STATES
98505	HYDRA-ELECTRIC COMPANY 3151 KENWOOD ST-91505-1041 BURBANK-CA-UNITED STATES
D8286	DIN DEUTSCHES INSTITUT FUER NORMUNG EV BURGGRAFENSTR. 6-10787 BERLIN--GERMANY
D8897	GMN PAUL MUELLER INDUSTRIE GMBH & CO. KG AEUSZERE BAYREUTHER STR. 230-90411 NUERNBERG--GERMANY
F0111	BUREAU NORMALISATION AERONAUTIQUE ESPACE 199 RUE JEAN JACQUES ROUSSEAU-92130 ISSY LES MOULINEAUX--FRANCE
F0183	JICEY ZAC DE LA PREVAUTE-78550 HOUDAN--FRANCE
F0215	ESPA 2 RUE BALZAC-75008 PARIS 8--FRANCE
F0224	ARCONIC FIXATIONS SIMMONDS SAS 9 RUE DES CRESSONNIERES-72110 SAINT COSME EN VAIRAIS--FRANCE
F0272	SKF FRANCE 34 AV DES TROIS PEUPLES-78180 MONTIGNY LE BRETONNEUX--FRANCE
F0286	TYCO ELECTRONICS FRANCE SAS 1 RUE AMPERE-95300 PONTOISE--FRANCE
F0355	ETABLISSEMENTS CAILLAU 64 BD JEAN JAURES-41200 ROMORANTIN LANTHENAY--FRANCE
F0384	FREUDENBERG SEALING TECHNOLOGIES RUE DE L ETOILE DE LANGRES-52200 LANGRES--FRANCE

CODE	MANUFACTURER
F0559	SAFRAN FILTRATION SYSTEMS 6 RUE MARYSE BASTIE-87800 NEXON--FRANCE
F0562	EATON SAS - COIGNIERES 2 RUE LAVOISIER-78310 COIGNIERES--FRANCE
F0563	SCHAEFFLER FRANCE 93 RTE DE BITCHE-67500 HAGUENAU--FRANCE
F0673	NTN-SNR ROULEMENTS 1 RUE DES USINES-74000 ANNECY--FRANCE
F0771	SKF AEROENGINE FRANCE 34 AV DES TROIS PEUPLES-78180 MONTIGNY LE BRETONNEUX--FRANCE
F1253	MERSEN 2 PL DES VOSGES-92400 COURBEVOIE--FRANCE
F1699	BOLLHOFF OTALU SA RTE D APREMONT-73490 LA RAVOIRE--FRANCE
F1701	AGRATI GIE 41 RUE EDOUARD LE CORBUSIER-94000 CRETEIL--FRANCE
F1976	SAFRAN AEROSYSTEMS HYDRAULICS RTE DE JALLANS-28200 CHATEAUDUN--FRANCE
F2276	AUXITROL SA 5 ALL CHARLES PATHE-18000 BOURGES--FRANCE
F2569	LE SEGMENT AB RTE DU LUDE-72230 ARNAGE--FRANCE
F5496	AEVA 8 CHE DE L'ETANG-16730 FLEAC--FRANCE
F6069	PLASTIQUES POPPELMANN FRANCE 3 RUE ROBERT SCHUMAN-68170 RIXHEIM--FRANCE
F6275	EATON SAS 2 RUE LAVOISIER-78310 COIGNIERES--FRANCE
F6285	TECALEMIT AEROSPACE 9 RUE DU DOME-69630 CHAPONOST--FRANCE
F6409	TITFLEX EUROPE 22 AV MAURICE CHEVALIER-77330 OZOIR LA FERRIERE--FRANCE
F6728	THOMAS & BETTS NETHERLANDS RUE OOSTEINDE 3-2991 BARENDRECHT - PAYS BAS--FRANCE
F6840	MEGGITT (FRANCE) RUE DU BOIS RENAUD-16730 FLEAC--FRANCE
F7917	THERMOCOAX RUE LA VALLEE-61430 ATHIS DE L'ORNE--FRANCE
F7926	SERMAT ETUDE REALISATION MACHINE TOURNANTE 249 RUE DE LA GARENNE-92000 NANTERRE--FRANCE
F9088	TRELLEBORG SEALING SOLUTIONS FRANCE 38 RUE JEAN MERMOZ-78600 MAISONS LAFFITTE--FRANCE
F9111	THALES AVS FRANCE SAS 75 AV MARCEL DASSAULT-33700 MERIGNAC--FRANCE

<i>CODE</i>	<i>MANUFACTURER</i>
F9211	L'HOTELLIER SAS 4 RUE HENRI POINCARE-92160 ANTONY--FRANCE
F9756	PANDUIT EEIG 2 BD DES ILES-92130 ISSY LES MOULINEAUX--FRANCE
FA3W9	SAFRAN AEROSYSTEMS FLUID AV DU MONT SAINT SEBASTIEN-77111 SOIGNOLLES EN BRIE--FRANCE
FAAM1	L.C.E.P (LES COMPOSANTS ELECTRONIQUES DES PYRENEES) RUE DE LA BIELLE-64121 SERRES-CASTET--FRANCE
FANU6	EA TECHNIQUE POLE DE BUCONIS-32600 L' ISLE JOURDAIN--FRANCE
FB797	ADVANCED PRODUCTS FRANCE 37 AV JEAN JAURES-92150 SURESNES--FRANCE
I9005	AEROSPACE AND DEFENCE INDUSTRIES ASSOCIATION OF EUROPE- STANDARDIZATION (ASD-STAN) RUE MONTOYER 10-B-1000 BRUXELLES--BELGIUM
K0624	MUIRHEAD AEROSPACE LTD 33 OAKFIELD ROAD, PENGE-SE20 8EW LONDON--UNITED KINGDOM
K1209	CROSS MANUFACTURING CO MIDFORD ROAD COMBE DOWN-BA2 5RR BATH--UNITED KINGDOM
S3866	JAQUET AG THANNERSTRASSE 15-4009 BASEL--SWITZERLAND
U1653	SOCIETY OF BRITISH AEROSPACE COMPANIES LTD (SBAC) SALAMANCA SQUARE, 9 ALBERT EMBANKMENT-SE1 7SP LONDON--UNITED KINGDOM

PAGE LEFT BLANK INTENTIONALLY

CHAPTER 26 - LIST OF EFFECTIVE PAGES

<u>Chapter Section Subject</u>	<u>Figure</u>	<u>Title</u>	<u>Pages</u>	<u>Date</u>
26		LIST OF EFFECTIVE PAGES	* 1 - 2	June 30/2018
26		TABLE OF CONTENTS	1 - 2	Nov. 30/2009
26-00-00	TITLE	PROTECTION, FIRE	1	Nov. 30/2009
26-00-00	01	PROTECTION,FIRE	0	Nov. 30/2009
26-00-00	01		1	Nov. 30/2009
26-10-00	TITLE	DETECTION, FIRE	1	Nov. 30/2009
26-11-00	01	DETECTORS,FIRE	* 0	June 30/2018
26-11-00	01		* 1 - 3	June 30/2018

* Page modified following update No. 40

PAGE LEFT BLANK INTENTIONALLY

CHAPTER 26 - TABLE OF CONTENTS

<u>Title</u>	<u>Chapter Section Subject</u>	<u>Figure</u>
PROTECTION, FIRE	26-00-00	
PROTECTION,FIRE	26-00-00	01
DETECTION, FIRE	26-10-00	
DETECTORS,FIRE	26-11-00	01

PAGE LEFT BLANK INTENTIONALLY

DETAILED PART LIST

PROTECTION, FIRE

26-00-00

FIGURE NOT ILLUSTRATED

PROTECTION,FIRE
Figure 01

TURBOMECA ARRIEL 2 C1

ILLUSTRATED PARTS CATALOG

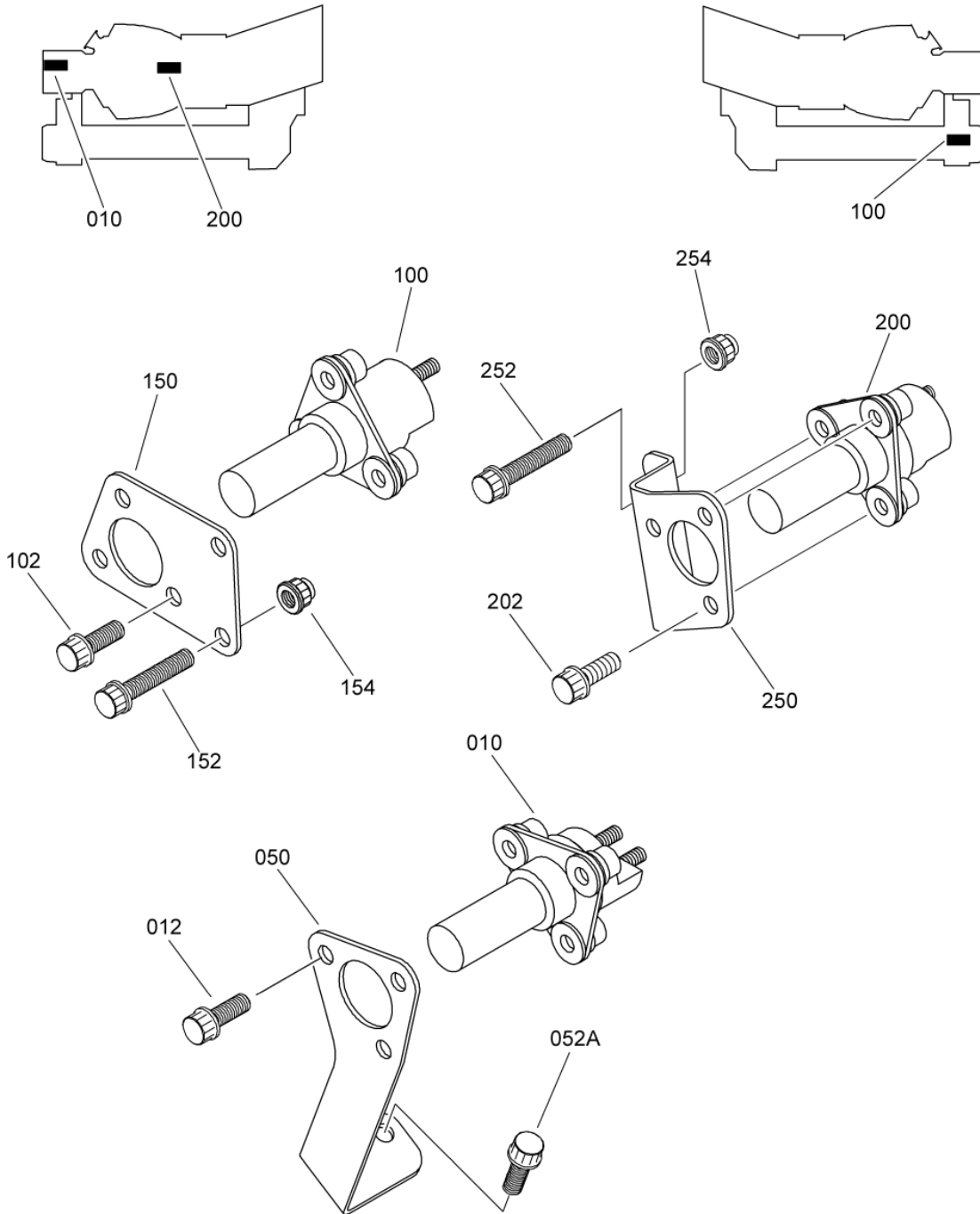
FIGURE ITEM	PART NUMBER	AIRL. STOCK No.	DESCRIPTION	EFFECT	QTY
			1 2 3 4 5 6 7		
01 -001	-		PROTECTION,FIRE NON PROCURABLE REFER TO CHAP. 71-00-00 FIG.01 ITEM 030		RF
-010	-		. INST.,DETECTORS,FIRE NON PROCURABLE REFER TO CHAP.26-11-00 FOR DETAILS		1

- ITEM NOT ILLUSTRATED

DETAILED PART LIST

DETECTION, FIRE

26-10-00



INST.,DETECTORS,FIRE
Figure 01

SAFRAN HELICOPTER ENGINES

ARRIEL 2 C1

ILLUSTRATED PARTS CATALOG

FIGURE ITEM	PART NUMBER	AIRL. STOCK No.	DESCRIPTION	EFFECT	QTY
			1 2 3 4 5 6 7		
01					
-001	-		INST.,DETECTORS,FIRE NON PROCURABLE REFER TO CHAP. 26-00-00 FIG.01 ITEM 010		RF
010	H243		. DETECTOR,FIRE - VF9211 (9550173110) NON REPAIRABLE PRE ACR (AE 47256)		1
-010A	H243-1		. DETECTOR,FIRE - VF9211 (9550177130) NON REPAIRABLE POST ACR (AE 47256) REFER TO ACMMB FOR DETAILS		1
012	EN3686050014		ATTACHING PARTS . SCREW - VI9005 (9836405014) ***		3
050	0292767120		. SUPPORT,FIRE DETECTOR		1
-052	EN3686050014		ATTACHING PARTS . SCREW - VI9005 (9836405014) PRE ACR (AE 47743)		2
052A	EN3686050012		. SCREW - VI9005 (9836405012) POST ACR (AE 47743) ***		2
100	H243		. DETECTOR,FIRE - VF9211 (9550173110) NON REPAIRABLE PRE ACR (AE 47256)		1
-100A	H243-1		. DETECTOR,FIRE - VF9211 (9550177130) NON REPAIRABLE POST ACR (AE 47256) REFER TO ACMMB FOR DETAILS		1
102	EN3686050014		ATTACHING PARTS . SCREW - VI9005 (9836405014) ***		3
150	0292760160		. SUPPORT,FIRE DETECTOR		1
152	EN3686050024		ATTACHING PARTS . SCREW - VI9005 (9836405024)		2
154	9866205026		. NUT 9866205026 IS THE SAFRAN HELICOPTER ENGINES PART NUMBER FOR: VF0111 - 22526-050 VI9005 - EN2906-050 ***		2
200	H443		. DETECTOR,FIRE - VF9211 (9550173140) NON REPAIRABLE PRE ACR (AE 47256)		1
-200A	H443_1		. DETECTOR,FIRE - VF9211 (9550177160) NON REPAIRABLE POST ACR (AE 47256) REFER TO ACMMB FOR DETAILS		1

- ITEM NOT ILLUSTRATED

SAFRAN HELICOPTER ENGINES

ARRIEL 2 C1

ILLUSTRATED PARTS CATALOG

FIGURE ITEM	PART NUMBER	AIRL. STOCK No.	DESCRIPTION	EFFECT	QTY
			1 2 3 4 5 6 7		
01					
202	EN3686050014		ATTACHING PARTS . SCREW - V19005 (9836405014) ***		3
250	0292760390		. SUPPORT,FIRE DETECTOR		1
252	EN3686050020		ATTACHING PARTS . SCREW - V19005 (9836405020)		2
254	9866205026		. NUT 9866205026 IS THE SAFRAN HELICOPTER ENGINES PART NUMBER FOR: VF0111 - 22526-050 V19005 - EN2906-050 ***		2

- ITEM NOT ILLUSTRATED

PAGE LEFT BLANK INTENTIONALLY

CHAPTER 71 - LIST OF EFFECTIVE PAGES

<u>Chapter Section Subject</u>	<u>Figure</u>	<u>Title</u>	<u>Pages</u>	<u>Date</u>
71		LIST OF EFFECTIVE PAGES	* 1 - 2	Dec. 30/2021
71		TABLE OF CONTENTS	1 - 2	Nov. 30/2009
71-00-00	TITLE	POWER PLANT	1	Nov. 30/2009
71-00-00	01-1/2	ARRIEL 2C1,EQUIPPED	0	Dec. 30/2018
71-00-00	BLANK		0	Dec. 30/2018
71-00-00	01-2/2		0	Dec. 30/2018
71-00-00	01		1 - 3	Dec. 30/2018
71-01-00	01	SYSTEM,GENERAL	0	Nov. 30/2009
71-01-00	01		1	Nov. 30/2009
71-20-00	TITLE	MOUNTS	1	Nov. 30/2009
71-21-00	01	HOISTING,ATTACHING	0	Nov. 30/2016
71-21-00	01		1	Nov. 30/2016
71-40-00	TITLE	ATTACH FITTINGS	1	Nov. 30/2009
71-41-00	01	SUPPORTS	* 0	Dec. 30/2021
71-41-00	01		* 1	Dec. 30/2021
71-50-00	TITLE	ELECTRICAL HARNESSSES	1	Nov. 30/2009
71-51-00	01-1/5	ELECTRIC HARNESSSES	* 0	Dec. 30/2021
71-51-00	BLANK		* 0	Dec. 30/2021
71-51-00	01-2/5		* 0	Dec. 30/2021
71-51-00	BLANK		* 0	Dec. 30/2021
71-51-00	01-3/5		* 0	Dec. 30/2021
71-51-00	BLANK		* 0	Dec. 30/2021
71-51-00	01-4/5		* 0	Dec. 30/2021
71-51-00	BLANK		* 0	Dec. 30/2021
71-51-00	01-5/5		* 0	Dec. 30/2021
71-51-00	01		* 1 - 3	Dec. 30/2021

* Page modified following update No. 47

<u>Chapter Section Subject</u>	<u>Figure</u>	<u>Title</u>	<u>Pages</u>	<u>Date</u>
71-70-00	TITLE	ENGINE DRAINS	1	Nov. 30/2009
71-71-00	01-1/2	PIPES,DRAIN	* 0	Dec. 30/2021
71-71-00	BLANK		* 0	Dec. 30/2021
71-71-00	01-2/2		* 0	Dec. 30/2021
71-71-00	01		* 1	Dec. 30/2021
71-90-00	TITLE	BLANKS	1	Nov. 30/2009
71-91-00	01-1/3	KIT, BLANKS	0	June 15/2019
71-91-00	BLANK		0	June 15/2019
71-91-00	01-2/3		0	June 15/2019
71-91-00	BLANK		0	June 15/2019
71-91-00	01-3/3		0	June 15/2019
71-91-00	01		1	June 15/2019

* Page modified following update No. 47

CHAPTER 71 - TABLE OF CONTENTS

<u>Title</u>	<u>Chapter Section Subject</u>	<u>Figure</u>
POWER PLANT	71-00-00	
ARRIEL 2C1,EQUIPPED	71-00-00	01
SYSTEM,GENERAL	71-01-00	01
MOUNTS	71-20-00	
HOISTING,ATTACHING	71-21-00	01
ATTACH FITTINGS	71-40-00	
SUPPORTS	71-41-00	01
ELECTRICAL HARNESES	71-50-00	
ELECTRIC HARNESES	71-51-00	01
ENGINE DRAINS	71-70-00	
PIPES,DRAIN	71-71-00	01
BLANKS	71-90-00	
KIT, BLANKS	71-91-00	01

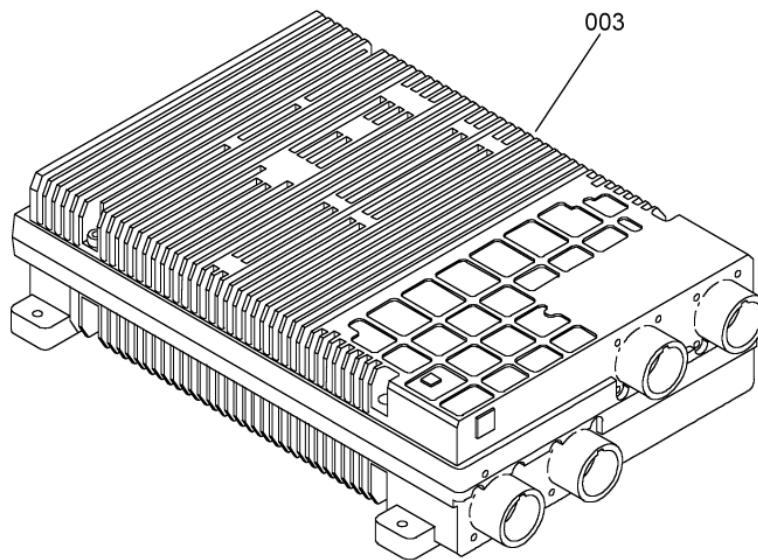
PAGE LEFT BLANK INTENTIONALLY

ARRIEL 2 C1

DETAILED PART LIST

POWER PLANT

71-00-00



ARRIEL 2C1,EQUIPPED
Figure 01 (Sheet 1/2)

PAGE LEFT BLANK INTENTIONALLY

TABLE OF DECU COMPATIBILITY

ARRIEL 2C1 P/N	70BMD01020	70BMD01070	70BMD01040	70BMD01080	70BMD01050	70BMD01060
70BMD01020	YES	YES	NO	NO	NO	NO
70BMD01070	YES	YES	NO	NO	NO	NO
70BMD01040	NO	NO	YES	YES	NO	NO
70BMD01080	NO	NO	YES	YES	NO	NO
70BMD01050	NO	NO	NO	NO	YES	YES
70BMD01060	NO	NO	NO	NO	YES	YES

This table shows the possible combinations for simultaneously associating 2 DECU Part Numbers (whether identical or not) on a helicopter.

YES: the Part Numbers of these DECUs are compatible for installation on the same helicopter.

NO: the Part Numbers of these DECUs are not compatible for installation on the same helicopter.

E.g. The Part Numbers 70BMD01040 and 70BMD01080 can be simultaneously installed on the same helicopter.

ARRIEL 2C1,EQUIPPED
Figure 01 (Sheet 2/2)

SAFRAN HELICOPTER ENGINES

ARRIEL 2 C1

ILLUSTRATED PARTS CATALOG

FIGURE ITEM	PART NUMBER	AIRL. STOCK No.	DESCRIPTION	EFFECT	QTY
			1 2 3 4 5 6 7		
01					
-001	0292005390		ARRIEL 2C1,EQUIPPED		1
003	70BMD01000		. DIGITAL ENGINE CONTROL UNIT REPAIRABLE POST TU 050C BECOMES ITEM 003B		1
-003A	70BMD00990		. DIGITAL ENGINE CONTROL UNIT REPAIRABLE POST TU 050C BECOMES ITEM 003C PRE TU 050C (AE 47884) ALTERNATE ITEM 003		1
-003B	70BMD01020		. DIGITAL ENGINE CONTROL UNIT REPAIRABLE POST TU 050C (AE 47884) RETROFIT ITEM 003 POST TU 111C (AE 16494) BECOMES ITEM 003H PRE TU 077C (AE 49681)		1
-003C	70BMD01010		. DIGITAL ENGINE CONTROL UNIT REPAIRABLE POST TU 077C BECOMES ITEM 003E POST TU 050C (AE 47884) RETROFIT ITEM 003A		1
-003D	C12380BA03		. DIGITAL ENGINE CONTROL UNIT - VF9111 (70BMD01040) REPAIRABLE POST TU 077C (AE 49681) POST TU 111C (AE 16494) BECOMES ITEM 003J PRE TU 098C (AE 50292)		1
-003E	70BMD01030		. DIGITAL ENGINE CONTROL UNIT REPAIRABLE POST TU 077C (AE 49681) RETROFIT ITEM 003C		1
-003F	70BMD01050		. DIGITAL ENGINE CONTROL UNIT REPAIRABLE PRE TU 111C (AE 16494) POST TU 098C (AE 50292)		1
-003G	C12380BE04		. DIGITAL ENGINE CONTROL UNIT - VF9111 (70BMD01060) REPAIRABLE POST TU 111C (AE 16494)		1
-003H	70BMD01070		. DIGITAL ENGINE CONTROL UNIT REPAIRABLE POST TU 111C (AE 16494) RETROFIT ITEM 003B		1
-003J	70BMD01080		. DIGITAL ENGINE CONTROL UNIT REPAIRABLE POST TU 111C (AE 16494) RETROFIT ITEM 003D		1
-005	0292025090		. TURBO-SHAFT ENGINE,DRESSED POST ACR (AE 46060)		1
-030	-		. PROTECTION,FIRE NON PROCURABLE REFER TO CHAP.26-00-00 FOR DETAILS		1

- ITEM NOT ILLUSTRATED

SAFRAN HELICOPTER ENGINES

ARRIEL 2 C1

ILLUSTRATED PARTS CATALOG

FIGURE ITEM	PART NUMBER	AIRL. STOCK No.	DESCRIPTION	EFFECT	QTY
			1 2 3 4 5 6 7		
01					
-040	-		. . SYSTEM,GENERAL NON PROCURABLE REFER TO CHAP.71-01-00 FOR DETAILS		1
-050	-		. . SYSTEM,FUEL NON PROCURABLE REFER TO CHAP.73-00-00 FOR DETAILS		1
-060	-		. . SYSTEM,IGNITION NON PROCURABLE REFER TO CHAP.74-00-00 FOR DETAILS		1
-070	-		. . SYSTEM,AIR NON PROCURABLE REFER TO CHAP.75-00-00 FOR DETAILS		1
-080	-		. . SYSTEM,ENGINE INDICATING NON PROCURABLE REFER TO CHAP.77-00-00 FOR DETAILS		1
-090	-		. . SYSTEM,OIL NON PROCURABLE REFER TO CHAP.79-00-00 FOR DETAILS		1
-100	70BMD01000		DELETED		
-100A	70BMD00990		DELETED		
-120	0292025050		. . ENGINE,UNDRESSED REPAIRABLE NON PROCURABLE REFER TO CHAP.72-00-00 FOR DETAILS		1

- ITEM NOT ILLUSTRATED

PAGE LEFT BLANK INTENTIONALLY

FIGURE NOT ILLUSTRATED

SYSTEM, GENERAL
Figure 01

TURBOMECA ARRIEL 2 C1

ILLUSTRATED PARTS CATALOG

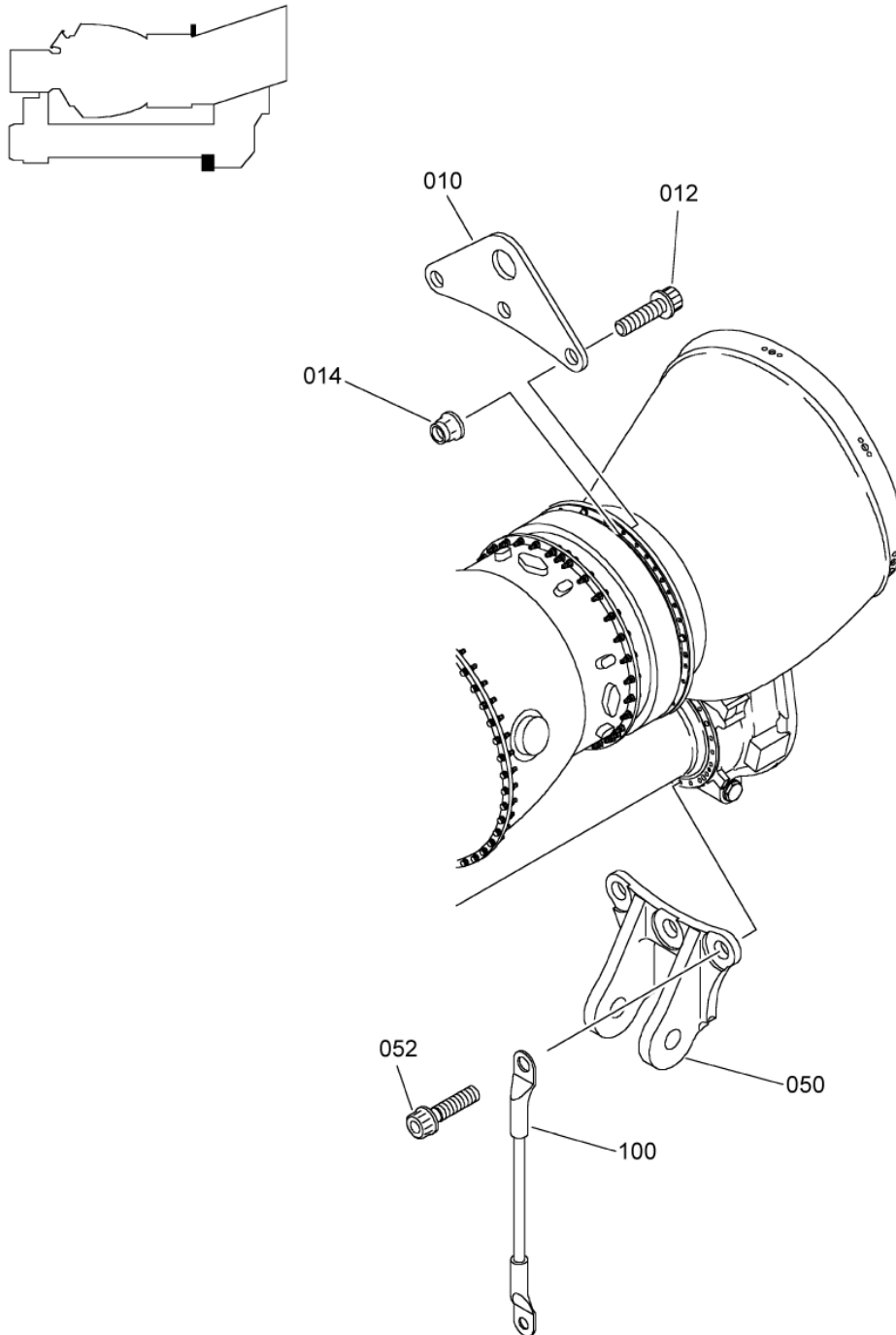
FIGURE ITEM	PART NUMBER	AIRL. STOCK No.	DESCRIPTION	EFFECT	QTY
			1 2 3 4 5 6 7		
01					
-001	-		SYSTEM,GENERAL NON PROCURABLE REFER TO CHAP. 71-00-00 FIG.01 ITEM 040		RF
-010	-		. INST.,HOISTING,ATTACHING NON PROCURABLE REFER TO CHAP.71-21-00 FOR DETAILS		1
-020	-		. INST.,SUPPORTS NON PROCURABLE REFER TO CHAP.71-41-00 FOR DETAILS		1
-030	-		. INST.,ELECTRIC HARNESES NON PROCURABLE REFER TO CHAP.71-51-00 FOR DETAILS		1
-040	-		. INST.,PIPES,DRAIN NON PROCURABLE REFER TO CHAP.71-71-00 FOR DETAILS		1
-050	0292987030		. KIT, BLANKS NON PROCURABLE REFER TO CHAP.71-91-00 FOR DETAILS		1

- ITEM NOT ILLUSTRATED

DETAILED PART LIST

MOUNTS

71-20-00



INST.,HOISTING,ATTACHING
Figure 01

TURBOMECA ARRIEL 2 C1

ILLUSTRATED PARTS CATALOG

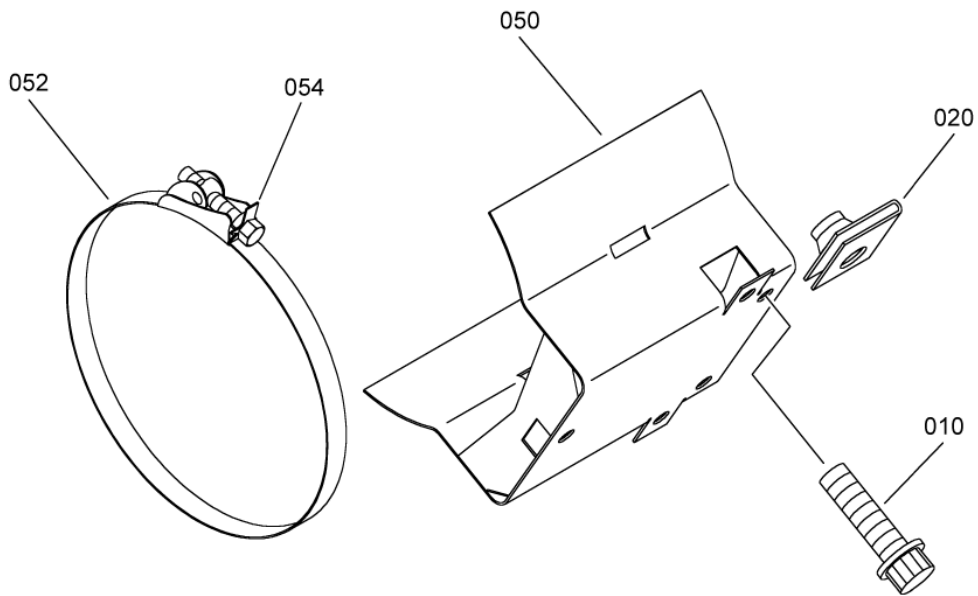
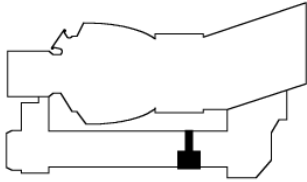
FIGURE ITEM	PART NUMBER	AIRL. STOCK No.	DESCRIPTION	EFFECT	QTY
			1 2 3 4 5 6 7		
01 -001	-		INST.,HOISTING,ATTACHING NON PROCURABLE REFER TO CHAP. 71-01-00 FIG.01 ITEM 010		RF
010	0292670180		. RING,HOISTING		1
012	EN3686050016		ATTACHING PARTS . SCREW - VI9005 (9836405016) PRE ACR (AE 48788)		3
-012A	EN3686050018		. SCREW - VI9005 (9836405018) PRE ACR (AE 65088) POST ACR (AE 48788)		3
-012B	EN3686050020		. SCREW - VI9005 (9836405020) POST ACR (AE 65088)		3
014	EN3377-050		. NUT - VI9005 (9867500500) ***		3
050	0301010860		. SUPPORT,FITTING		1
052	EN3686050020		ATTACHING PARTS . SCREW - VI9005 (9836405020) ***		3
100	0084117100		. BONDING BRAID		1

- ITEM NOT ILLUSTRATED

DETAILED PART LIST

ATTACH FITTINGS

71-40-00



INST.,SUPPORTS
Figure 01

SAFRAN HELICOPTER ENGINES

ARRIEL 2 C1

ILLUSTRATED PARTS CATALOG

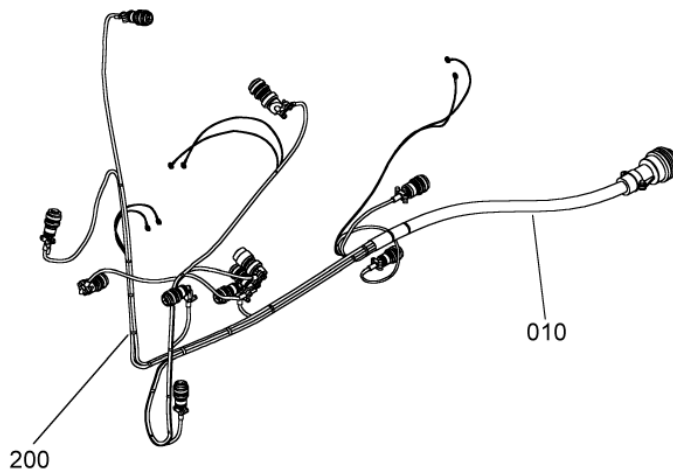
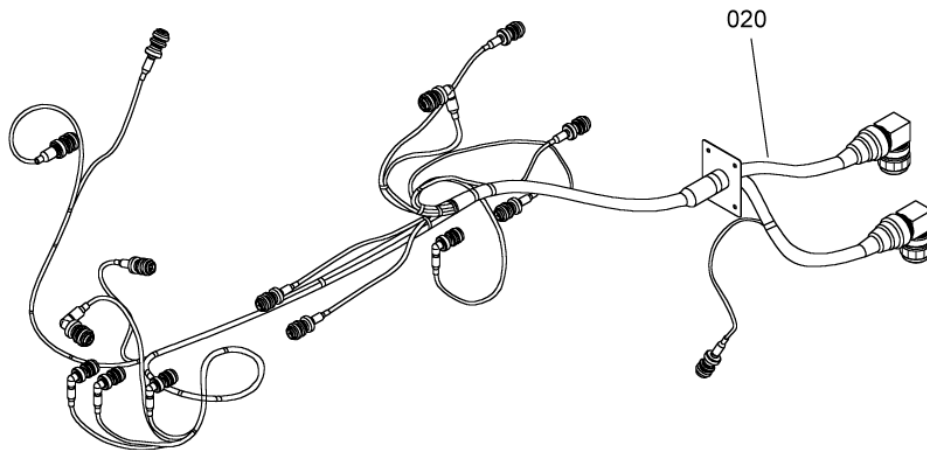
FIGURE ITEM	PART NUMBER	AIRL. STOCK No.	DESCRIPTION	EFFECT	QTY
			1 2 3 4 5 6 7		
01 -001	-		INST.SUPPORTS NON PROCURABLE REFER TO CHAP. 71-01-00 FIG.01 ITEM 020		RF
010	EN3686050012		. SCREW - VI9005 (9836405012)		3
020	EN3240-050		. NUT - VI9005 (9867700050)		3
050	0292767140		. SUPPORT		1
			ATTACHING PARTS		
052	8TX200BS		. CLAMP,COLLAR - VF0215 (9560130220)		1
054	23350CA050		. LOCK - VF0111 (9998050021)		1

- ITEM NOT ILLUSTRATED

DETAILED PART LIST

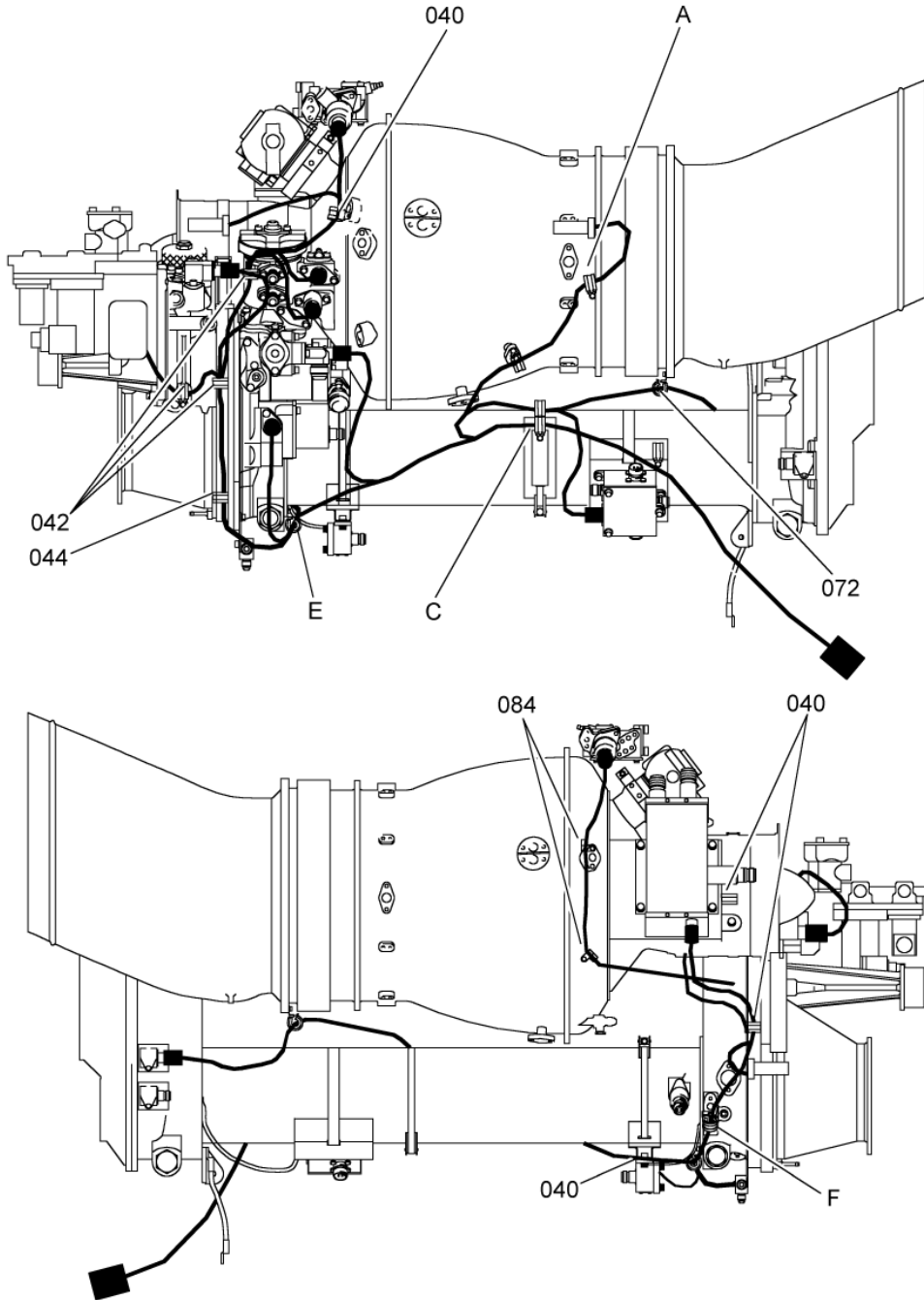
ELECTRICAL HARNESSSES

71-50-00



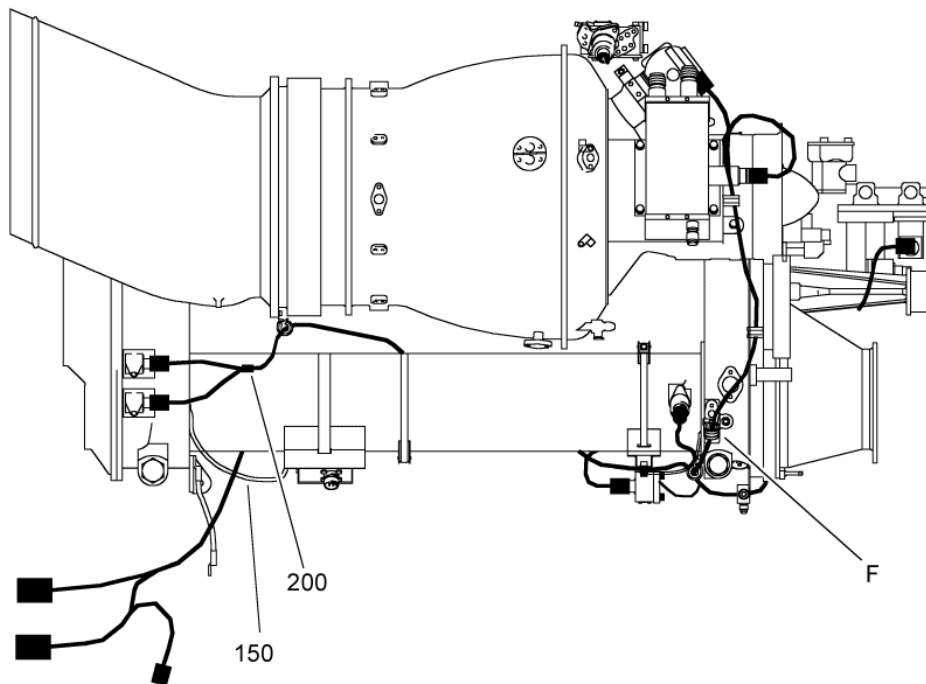
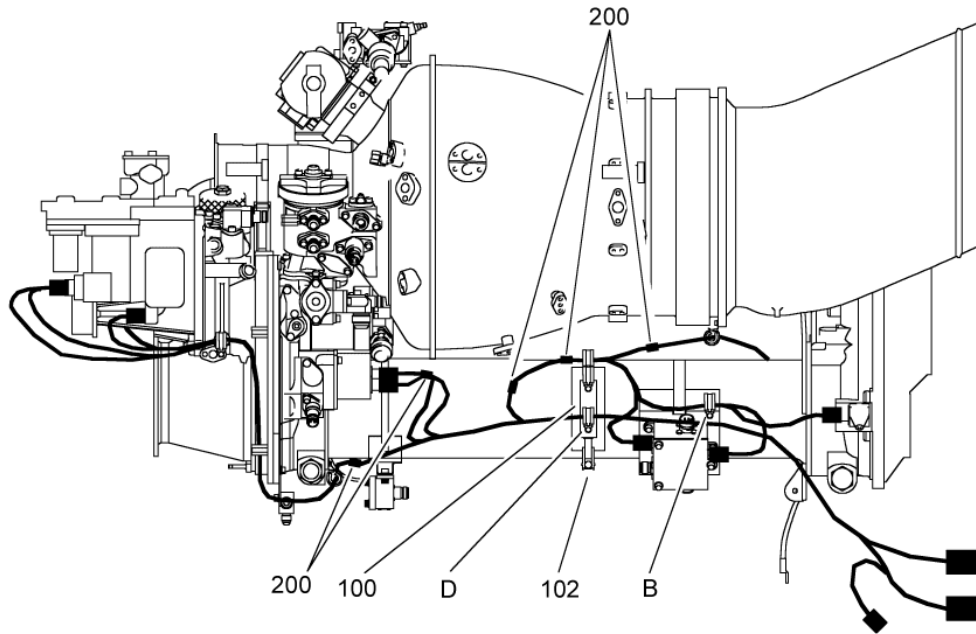
INST.,ELECTRIC HARNESSES
Figure 01 (Sheet 1/5)

PAGE LEFT BLANK INTENTIONALLY



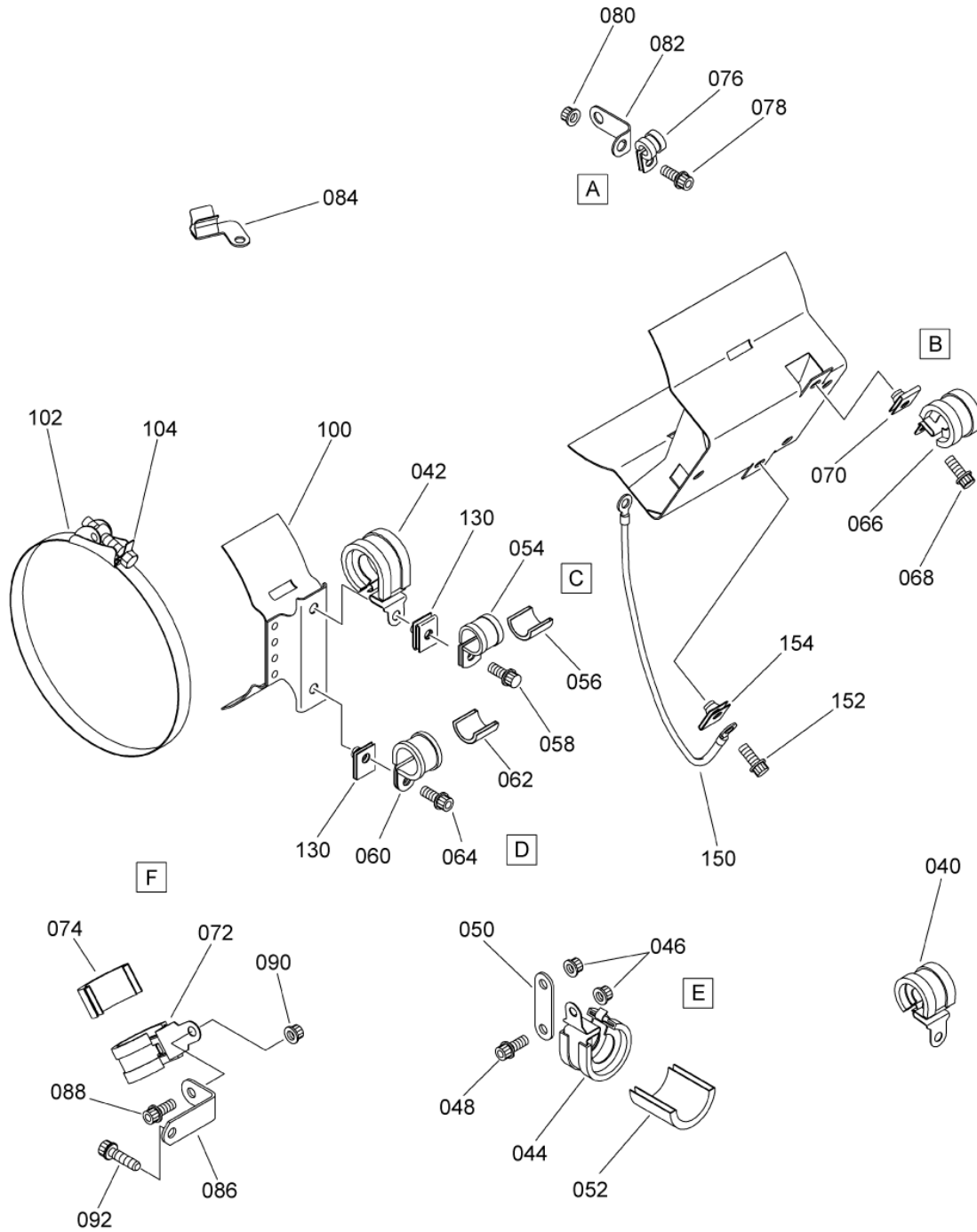
INST.,ELECTRIC HARNESSES
Figure 01 (Sheet 2/5)

PAGE LEFT BLANK INTENTIONALLY



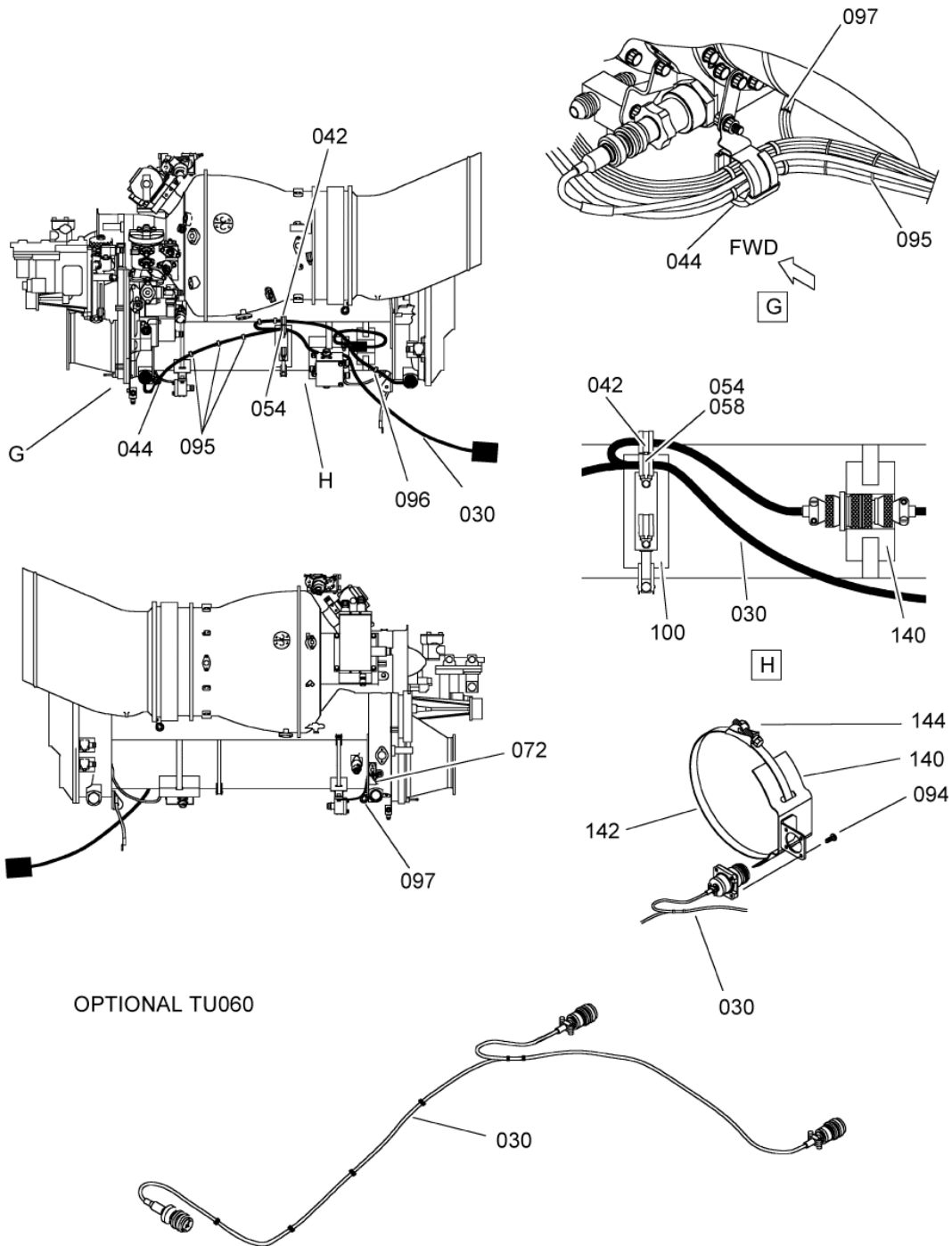
INST.,ELECTRIC HARNESSES
Figure 01 (Sheet 3/5)

PAGE LEFT BLANK INTENTIONALLY



INST.,ELECTRIC HARNESSES
Figure 01 (Sheet 4/5)

PAGE LEFT BLANK INTENTIONALLY



INST.,ELECTRIC HARNESSES
Figure 01 (Sheet 5/5)

SAFRAN HELICOPTER ENGINES

ARRIEL 2 C1

ILLUSTRATED PARTS CATALOG

FIGURE ITEM	PART NUMBER	AIRL. STOCK No.	DESCRIPTION	EFFECT	QTY
			1 2 3 4 5 6 7		
01					
-001	-		INST.,ELECTRIC HARNESSES NON PROCURABLE REFER TO CHAP. 71-01-00 FIG.01 ITEM 030		RF
010	0292697430		. HARNESS,CONTROL AND MONITORING REPAIRABLE PRE ACR (AE 48294)		1
-010A	0292697640		. HARNESS,CONTROL AND MONITORING REPAIRABLE POST ACR (AE 48294) REFER TO CMM 71-51-07 FOR DETAILS		1
020	0292697440		. HARNESS,REGULATION REPAIRABLE REFER TO CMM 71-51-36 FOR DETAILS		1
030	0292697590		. HARNESS,MAGNETIC PLUG REPAIRABLE POST TU 060 (AE 47237) OPTIONAL REFER TO CMM 71-51-08 FOR DETAILS		1
			ATTACHING PARTS		
040	9560166210		. CLAMP,LOOP - VF0215 (9560166210)		4
042	9560166230		. CLAMP,LOOP - VF0215 (9560166230)		4
044	9560166240		. CLAMP,LOOP - VF0215 (9560166240)		2
046	9866205026		. NUT 9866205026 IS THE SAFRAN HE PART NUMBER FOR: VF0111 - 22526-050 VI9005 - EN2906-050		2
048	EN3686050012		. SCREW - VI9005 (9836405012)		1
050	0235341360		. PLATE		1
052	RNF3000-24/8-9		. SHEATH,WHITE - VF0286 (9550163892)		AR
054	21F15		. CLAMP,LOOP - VF0215 (9560151220)		1
056	RNF3000-24/8-9		. SHEATH,WHITE - VF0286 (9550163892)		AR
058	EN3686050012		. SCREW - VI9005 (9836405012)		1
060	21F19		. CLAMP,LOOP - VF0215 (9560151240)		1
062	RNF3000-24/8-4		. SHEATH,YELLOW - VF0286 (9550163872)		AR
064	EN3686050012		. SCREW - VI9005 (9836405012)		1
066	9560166210		. CLAMP,LOOP - VF0215 (9560166210)		1
068	EN3686050012		. SCREW - VI9005 (9836405012)		1
070	EN3240-050		. NUT - VI9005 (9867700050)		1
072	9560166220		. CLAMP,LOOP - VF0215 (9560166220)		2
074	RNF3000-24/8-6		. SHEATH,BLUE - VF0286 (9550163882)		AR
076	21F6		. CLAMP - VF0215 (9562811300) PRE ACR (AE 65991)		1
-076A	580 101 191		. CLAMP - VF0355 (9560175960) PRE ACR (AE 69619) POST ACR (AE 65991)		1

- ITEM NOT ILLUSTRATED

SAFRAN HELICOPTER ENGINES

ARRIEL 2 C1

ILLUSTRATED PARTS CATALOG

FIGURE ITEM	PART NUMBER	AIRL. STOCK No.	DESCRIPTION	EFFECT	QTY
			1 2 3 4 5 6 7		
01 -076B	9560117610		. CLAMP 9560117610 IS THE SAFRAN HE PART NUMBER FOR: VF0215 - 9560117610 VF0355 - 58 0 171 002 POST ACR (AE 69619)		1
078	EN3686050012		. SCREW - VI9005 (9836405012)		1
080	9866205026		. NUT 9866205026 IS THE SAFRAN HE PART NUMBER FOR: VF0111 - 22526-050 VI9005 - EN2906-050		1
082	0301010540		. BRACKET,ANGLE		1
084	580-181-020		. CLAMP - VF0355 (9560158950)		2
086	0301000850		. BRACKET		1
088	EN3686050012		. SCREW - VI9005 (9836405012)		1
090	9866205026		. NUT 9866205026 IS THE SAFRAN HE PART NUMBER FOR: VF0111 - 22526-050 VI9005 - EN2906-050		1
092	EN3686050012		. SCREW - VI9005 (9836405012) POST ACR (AE 47131)		1
094	22294CE030008E		. SCREW - VF0111 (9847300800) POST TU 060 (AE 47237) OPTIONAL		4
095	9560133940		. CLAMP 9560133940 IS THE SAFRAN HE PART NUMBER FOR: VFAAM1 - TYZ25M VF6728 - TYZ25M POST TU 060 (AE 47237)		3
-095A	PLT2S-M76		. CLAMP - VF9756 (9560175240) POST ACR (AE 51527) ALTERNATE ITEM 095		3
096	9560133940		. CLAMP 9560133940 IS THE SAFRAN HE PART NUMBER FOR: VFAAM1 - TYZ25M VF6728 - TYZ25M POST TU 060 (AE 47237) OPTIONAL		1
-096A	PLT2S-M76		. CLAMP - VF9756 (9560175240) POST ACR (AE 51527)		1
097	9560133940		. CLAMP 9560133940 IS THE SAFRAN HE PART NUMBER FOR: VFAAM1 - TYZ25M VF6728 - TYZ25M POST TU 060 (AE 47237) OPTIONAL		2
-097A	PLT2S-M76		. CLAMP - VF9756 (9560175240) POST ACR (AE 51527) ***		2
100	0292767020		. SUPPORT		1

- ITEM NOT ILLUSTRATED

SAFRAN HELICOPTER ENGINES

ARRIEL 2 C1

ILLUSTRATED PARTS CATALOG

FIGURE ITEM	PART NUMBER	AIRL. STOCK No.	DESCRIPTION	EFFECT	QTY
			1 2 3 4 5 6 7		
01			ATTACHING PARTS		
102	8TX200BS		. CLAMP,COLLAR - VF0215 (9560130220)		1
104	23350CA050		. LOCK - VF0111 (9998050021) ***		1
130	EN3240-050		. . NUT - VI9005 (9867700050)		2
140	0292767170		. SUPPORT POST TU 060 (AE 47237) OPTIONAL		1
142	8TX200BS		ATTACHING PARTS . CLAMP,COLLAR - VF0215 (9560130220) POST TU 060 (AE 47237) OPTIONAL		1
144	23350CA050		. LOCK - VF0111 (9998050021) POST TU 060 (AE 47237) OPTIONAL ***		1
-150	0294747000		DELETED		
150A	0084117300		. BONDING BRAID		1
152	EN3686050012		ATTACHING PARTS . SCREW - VI9005 (9836405012)		1
154	EN3240-050		. NUT - VI9005 (9867700050) ***		1
200	9560133940		. CLAMP 9560133940 IS THE SAFRAN HE PART NUMBER FOR: VFAAM1 - TYZ25M VF6728 - TYZ25M POST ACR (AE 48462)		7
-200A	PLT2S-M76		. CLAMP - VF9756 (9560175240) POST ACR (AE 51527)		7

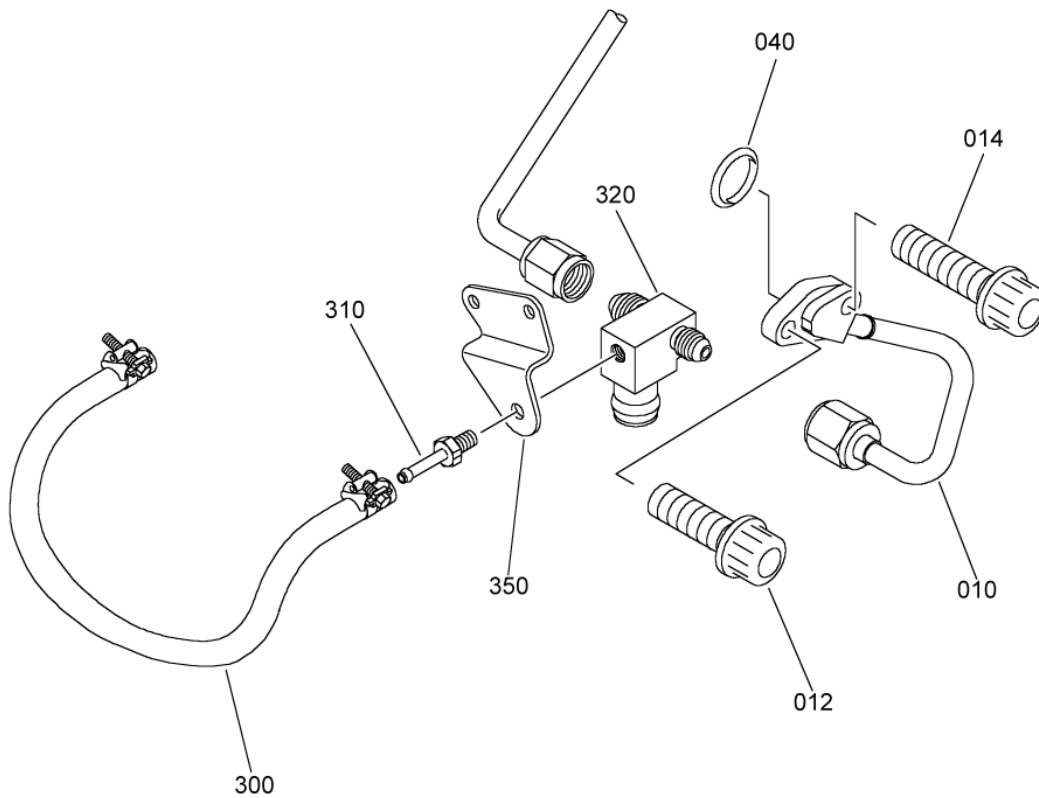
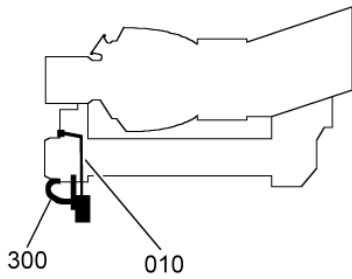
- ITEM NOT ILLUSTRATED

ARRIEL 2 C1

DETAILED PART LIST

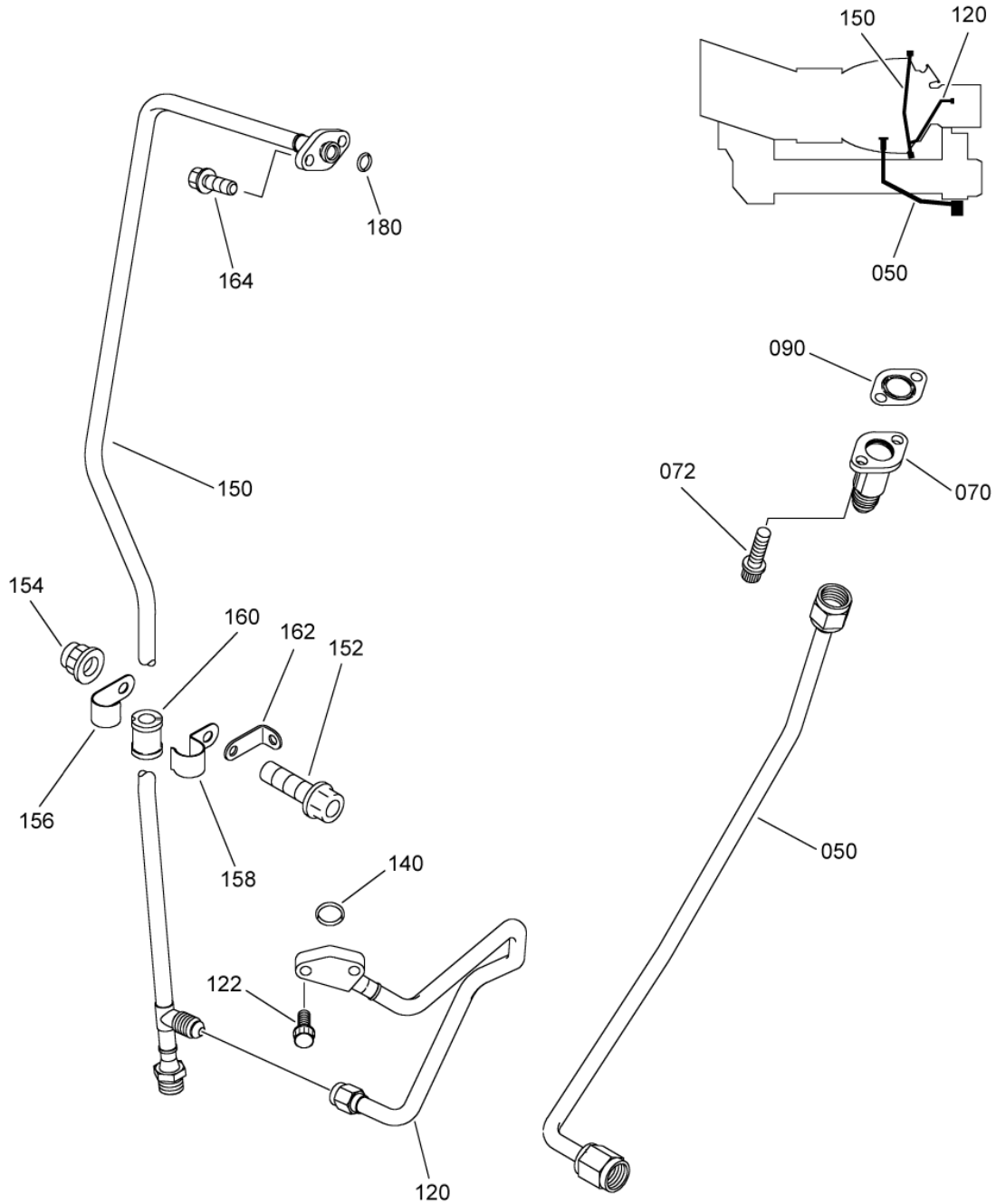
ENGINE DRAINS

71-70-00



INST.,PIPES,DRAIN
Figure 01 (Sheet 1/2)

PAGE LEFT BLANK INTENTIONALLY



INST.,PIPES,DRAIN
Figure 01 (Sheet 2/2)

SAFRAN HELICOPTER ENGINES

ARRIEL 2 C1

ILLUSTRATED PARTS CATALOG

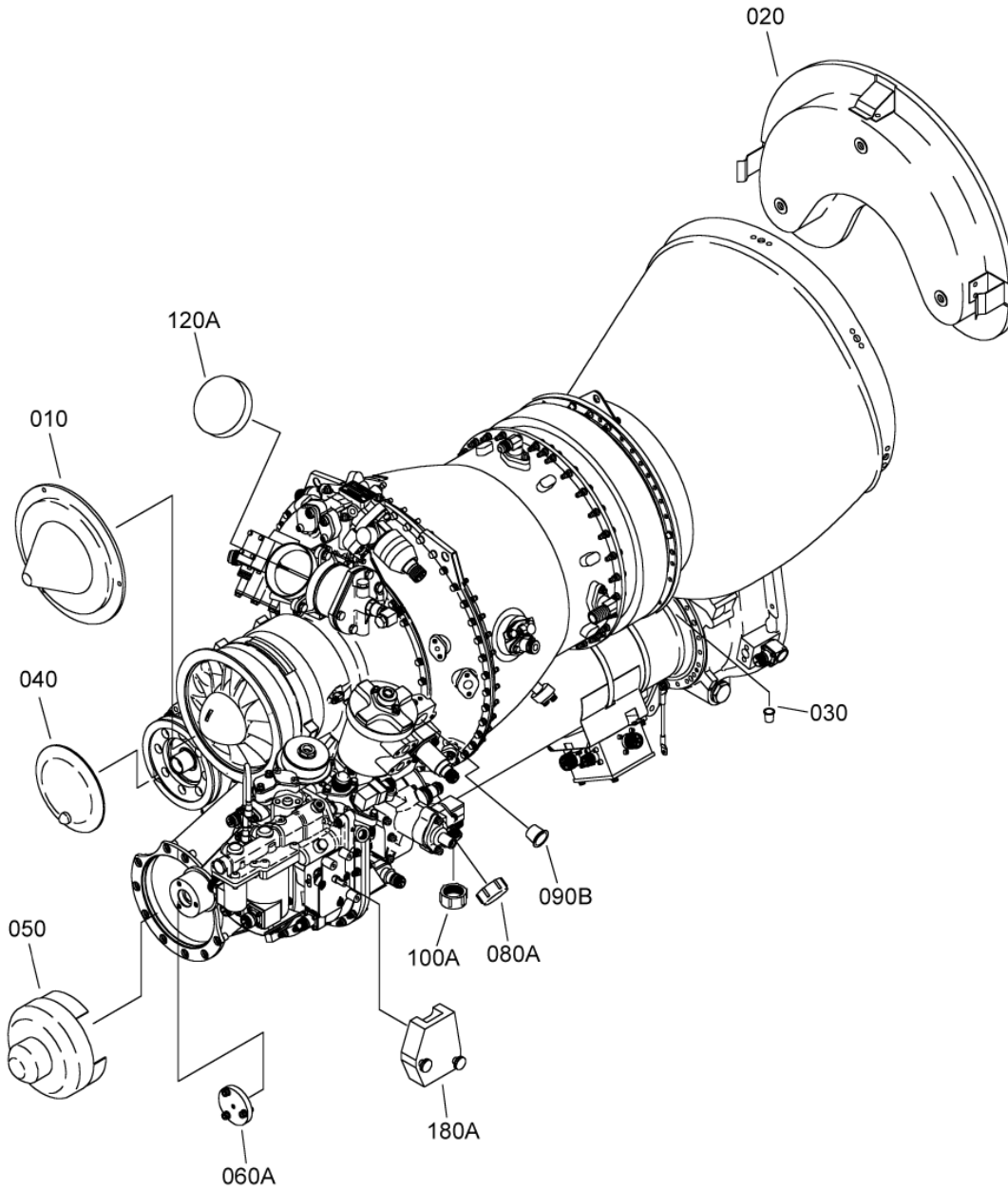
FIGURE ITEM	PART NUMBER	AIRL. STOCK No.	DESCRIPTION	EFFECT	QTY
			1 2 3 4 5 6 7		
01					
-001	-		INST.,PIPES,DRAIN NON PROCURABLE REFER TO CHAP. 71-01-00 FIG.01 ITEM 040		RF
010	0292677110		. PIPE,DRAIN,FUEL PUMP		1
012	EN3686050014		ATTACHING PARTS . SCREW - VI9005 (9836405014)		1
014	EN3686050018		. SCREW - VI9005 (9836405018) ***		1
040	46012A00560		. PACKING,PREFORMED - VF0111 (9794410056)		1
050	0292677160		. PIPE,DRAIN,VALVE		1
070	0292687250		. VALVE ASSY,DRAIN NON REPAIRABLE REFER TO CMM 71-71-01 FOR DETAILS		1
072	EN3686050012		ATTACHING PARTS . SCREW - VI9005 (9836405012) ***		2
090	9945000120		. GASKET,CORRUJOINT		1
120	0292677210		. PIPE,DRAIN,VALVE		1
122	EN3686050018		ATTACHING PARTS . SCREW - VI9005 (9836405018) ***		2
140	46012A00850		. PACKING,PREFORMED - VF0111 (9794410085)		1
150	0292677190		. PIPE,FUEL RETURN,TANK		1
152	EN3686050014		ATTACHING PARTS . SCREW - VI9005 (9836405014)		1
154	9866205026		. NUT 9866205026 IS THE SAFRAN HE PART NUMBER FOR: VF0111 - 22526-050 VI9005 - EN2906-050		1
156	AS12812		. HALF CLAMP,INNER - VU1653 (0400410020)		1
158	AS12842		. HALF CLAMP,OUTER - VU1653 (0400420020)		1
160	AS12874		. SLEEVE - VU1653 (0400430080)		1
162	0301010540		. BRACKET,ANGLE		1
164	EN3686050014		. SCREW - VI9005 (9836405014) ***		2
180	46012A00750		. PACKING,PREFORMED - VF0111 (9794410075)		1
300	0301027410		. PIPE,DRAIN,GENERAL		1
310	0301020260		. UNION,DRAIN		1
320	0292670410		. COLLECTOR,DRAIN PRE TU 180 (AE 94022)		1
-320A	0292670050		. COLLECTOR,DRAIN POST TU 180 (AE 94022)		1
350	0292670400		. SUPPORT,COLLECTOR		1

- ITEM NOT ILLUSTRATED

DETAILED PART LIST

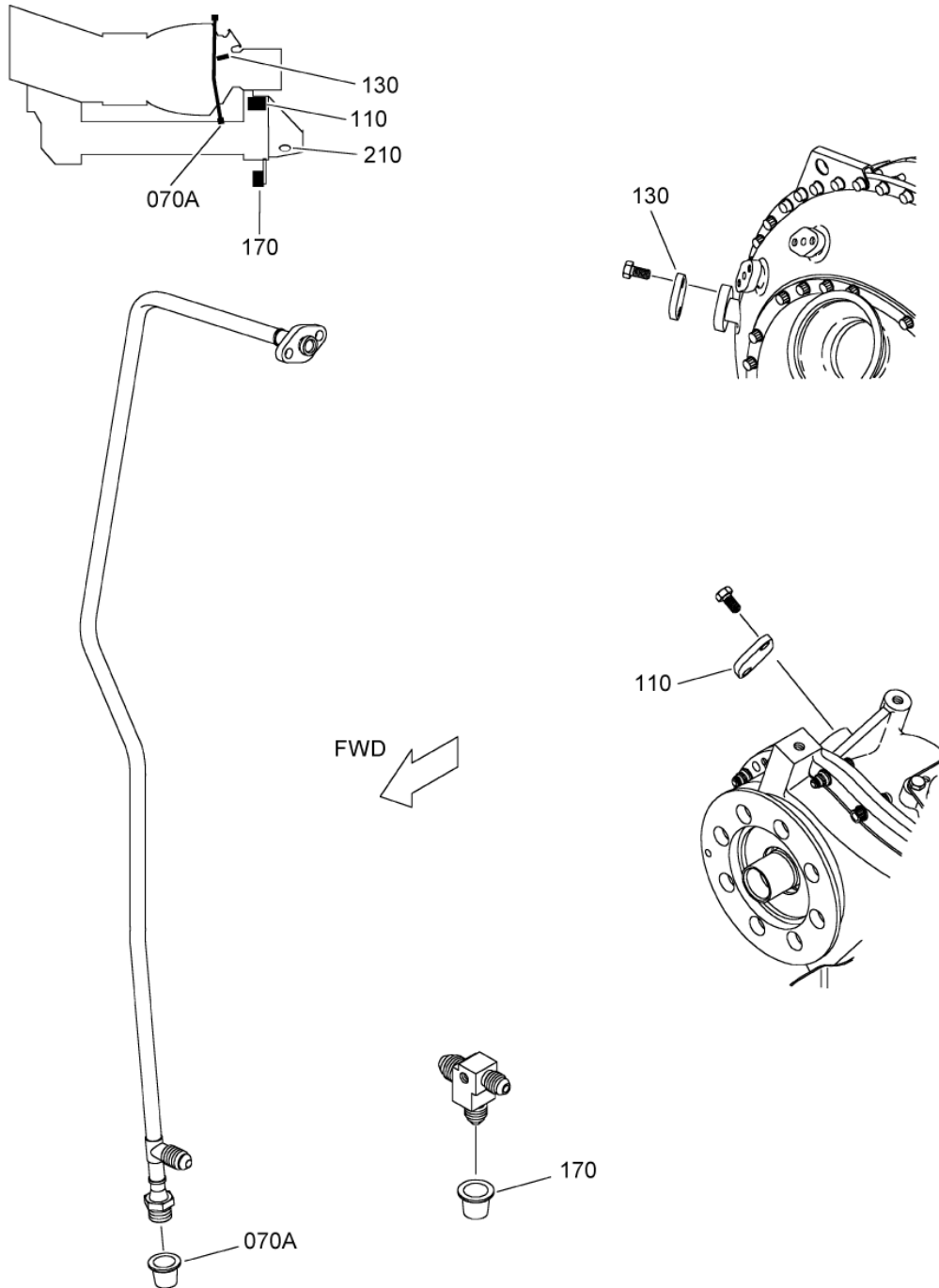
BLANKS

71-90-00



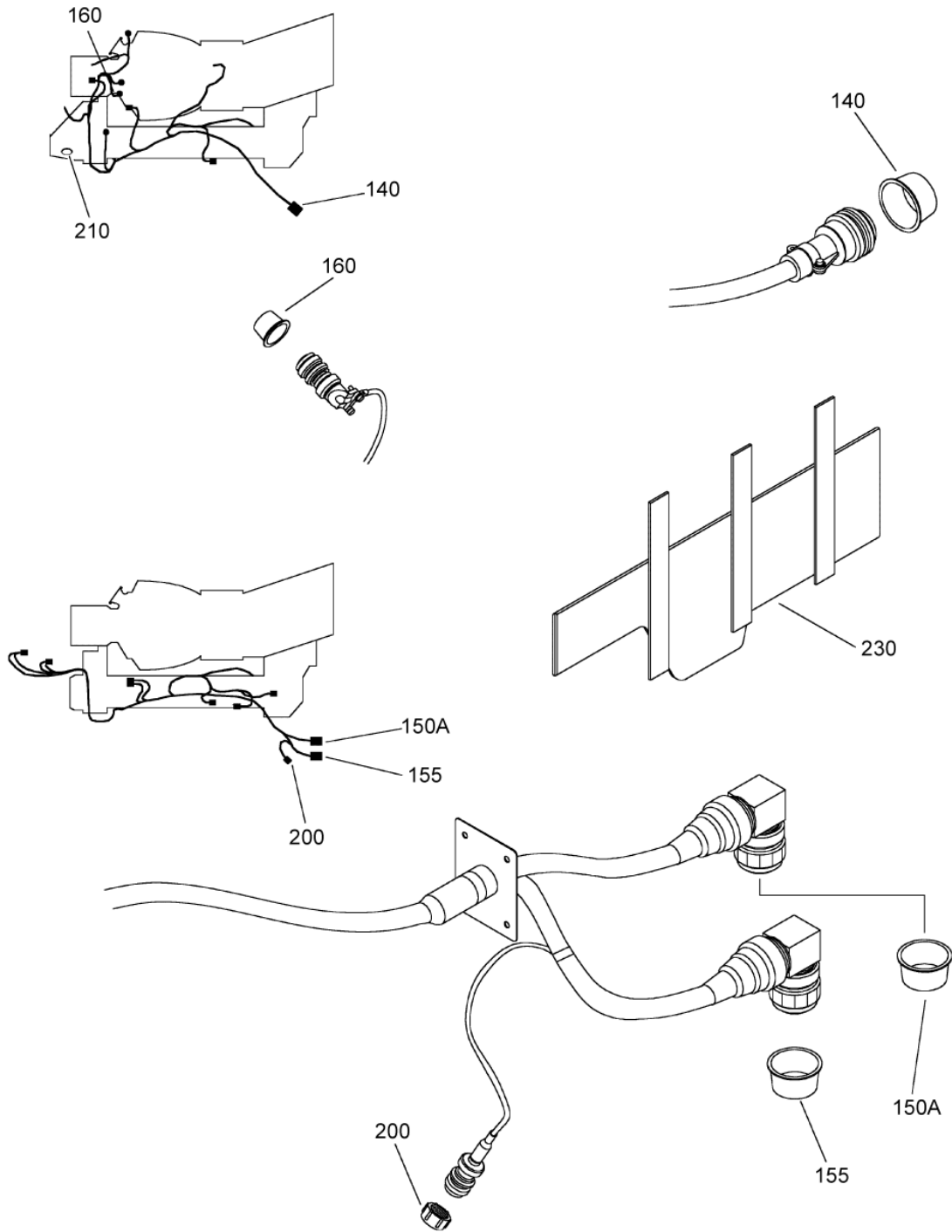
KIT, BLANKS
Figure 01 (Sheet 1/3)

PAGE LEFT BLANK INTENTIONALLY



KIT, BLANKS
Figure 01 (Sheet 2/3)

PAGE LEFT BLANK INTENTIONALLY



KIT, BLANKS
Figure 01 (Sheet 3/3)

SAFRAN HELICOPTER ENGINES

ARRIEL 2 C1

ILLUSTRATED PARTS CATALOG

FIGURE ITEM	PART NUMBER	AIRL. STOCK No.	DESCRIPTION	EFFECT	QTY
			1 2 3 4 5 6 7		
01					
-001	0292987030		KIT, BLANKS NON PROCURABLE REFER TO CHAP. 71-01-00 FIG.01 ITEM 050		RF
010			DELETED		
020			DELETED		
030			DELETED		
040			DELETED		
050			DELETED		
-060	8819677000		. BLANK PRE ACR (AE 49180)		1
060A	TM1034G001		. BLANK POST ACR (AE 49180)		1
-070			DELETED		
070A			DELETED		
-080			DELETED		
080A			DELETED		
-090			DELETED		
-090A			DELETED		
090B			DELETED		
-100	GPN610U20RGE		. BLANK - VF6069 (9560111150) PRE ACR (AE 49180)		1
100A	9789221500		. BLANK POST ACR (AE 49180)		1
110			DELETED		
-120			DELETED		
120A			DELETED		
130			DELETED		
140			DELETED		
-150			DELETED		
150A			DELETED		
155			DELETED		
160	GPN610U20RGE		. BLANK - VF6069 (9560111150)		1
170			DELETED		
-180	TM0206G001		. PROTECTOR PRE ACR (AE 49180)		1
180A	TM0206G003		. PROTECTOR POST ACR (AE 49180)		1
200	9789221500		. BLANK POST ACR (AE 49180)		1
210			DELETED		
230	TM1603G001		. SLEEVE, HARNESES HOLD POST ACR (AE 49775)		1

- ITEM NOT ILLUSTRATED

CHAPTER 72 - LIST OF EFFECTIVE PAGES

<u>Chapter Section Subject</u>	<u>Figure</u>	<u>Title</u>	<u>Pages</u>	<u>Date</u>
72		LIST OF EFFECTIVE PAGES	* 1 - 4	June 15/2023
72		TABLE OF CONTENTS	1 - 2	Nov. 30/2009
72-00-00	TITLE	ENGINE	1	Nov. 30/2009
72-00-00	01-1/3	ENGINE,UNDRESSED	* 0	June 15/2023
72-00-00	BLANK		* 0	June 15/2023
72-00-00	01-2/3		* 0	June 15/2023
72-00-00	BLANK		* 0	June 15/2023
72-00-00	01-3/3		* 0	June 15/2023
72-00-00	01		* 1 - 3	June 15/2023
72-10-00	TITLE	REDUCTION GEAR	1	Nov. 30/2009
72-15-00	01	MODULE,REDUCTION GEAR	0	Nov. 30/2016
72-15-00	01		1 - 3	Nov. 30/2016
72-15-00	02	MODULE,REDUCTION GEAR,UNDRESSED	0	June 15/2020
72-15-00	02		1	June 15/2020
72-15-10	01-1/3	GEARS ASSY	* 0	June 15/2023
72-15-10	BLANK		* 0	June 15/2023
72-15-10	01-2/3		* 0	June 15/2023
72-15-10	BLANK		* 0	June 15/2023
72-15-10	01-3/3		* 0	June 15/2023
72-15-10	01		* 1 - 7	June 15/2023
72-15-20	01	CASING ASSY,REAR,EQUIPPED	0	Dec. 30/2019
72-15-20	01		1 - 3	Dec. 30/2019
72-15-20	02	CASING,REAR,REDUCT. GEAR	0	Dec. 30/2018
72-15-20	02		1	Dec. 30/2018
72-15-30	01	CASING ASSY,FRONT,EQUIPPED	0	Dec. 30/2021
72-15-30	01		1 - 3	Dec. 30/2021

* Page modified following update No. 50

<u>Chapter Section Subject</u>	<u>Figure</u>	<u>Title</u>	<u>Pages</u>	<u>Date</u>
72-15-30	02	CASING,FRONT,REDUCT.GEAR	0	June 15/2019
72-15-30	02		1	June 15/2019
72-30-00	TITLE	COMPRESSOR	1	Nov. 30/2009
72-32-00	01	MODULE,COMPRESSOR	0	Dec. 30/2021
72-32-00	01		1 - 3	Dec. 30/2021
72-32-10	01	CASING ASSY,EQUIPPED	0	Dec. 30/2022
72-32-10	01		1 - 3	Dec. 30/2022
72-32-10	02	CASING,COMPRESSOR	* 0	June 15/2023
72-32-10	02		* 1	June 15/2023
72-40-00	TITLE	COMBUSTION	1	Nov. 30/2009
72-43-00	01-1/3	MODULE,GAS GENERATOR	* 0	June 15/2023
72-43-00	BLANK		* 0	June 15/2023
72-43-00	01-2/3		* 0	June 15/2023
72-43-00	BLANK		* 0	June 15/2023
72-43-00	01-3/3		* 0	June 15/2023
72-43-00	01		* 1 - 7	June 15/2023
72-43-00	02-1/3	MODULE,GAS GENERATOR,UNDRESSED	* 0	June 15/2023
72-43-00	BLANK		* 0	June 15/2023
72-43-00	02-2/3		* 0	June 15/2023
72-43-00	BLANK		* 0	June 15/2023
72-43-00	02-3/3		* 0	June 15/2023
72-43-00	02		* 1 - 3	June 15/2023
72-43-00	03	CASING,TURBINE	0	May 30/2017
72-43-00	03		1	May 30/2017
72-43-10	01	REAR BEARING ASSY,DRESSED	0	Dec. 30/2018
72-43-10	01		1	Dec. 30/2018
72-43-10	02	HOUSING,REAR BEARING	0	Nov. 30/2009
72-43-10	02		1	Nov. 30/2009

* Page modified following update No. 50

<u>Chapter Section Subject</u>	<u>Figure</u>	<u>Title</u>	<u>Pages</u>	<u>Date</u>
72-43-20	01	DIFFUSER ASSY,DRESSED	* 0	June 15/2023
72-43-20	01		* 1	June 15/2023
72-43-30	01-1/2	HP NGV-ROTATING ASSY	* 0	June 15/2023
72-43-30	BLANK		* 0	June 15/2023
72-43-30	01-2/2		* 0	June 15/2023
72-43-30	01		* 1 - 7	June 15/2023
72-43-30	02	RING ASSY,TURBINE	0	Nov. 30/2016
72-43-30	02		1	Nov. 30/2016
72-43-30	03	WHEEL ASSY,HP TURBINE	* 0	June 15/2023
72-43-30	03		* 1 - 5	June 15/2023
72-43-40	01	OUTER PART,COMB. CHAMBER	0	June 15/2020
72-43-40	01		1 - 3	June 15/2020
72-50-00	TITLE	TURBINE	1	Nov. 30/2009
72-54-00	01	MODULE,POWER TURBINE	0	Nov. 30/2016
72-54-00	01		1	Nov. 30/2016
72-54-10	01	WHEEL ASSY,POWER TURBINE	0	June 15/2022
72-54-10	01		1	June 15/2022
72-54-20	01-1/2	BEARING ASSY,POWER TURBINE	0	June 15/2022
72-54-20	BLANK		0	June 15/2022
72-54-20	01-2/2		0	June 15/2022
72-54-20	01		1 - 3	June 15/2022
72-60-00	TITLE	ACCESSORY DRIVES	1	Nov. 30/2009
72-61-00	01-1/3	MODULE,ACCESSORY GEARBOX	0	Dec. 30/2021
72-61-00	BLANK		0	Dec. 30/2021
72-61-00	01-2/3		0	Dec. 30/2021
72-61-00	BLANK		0	Dec. 30/2021
72-61-00	01-3/3		0	Dec. 30/2021
72-61-00	01		1 - 5	Dec. 30/2021

* Page modified following update No. 50

<u>Chapter Section Subject</u>	<u>Figure</u>	<u>Title</u>	<u>Pages</u>	<u>Date</u>
72-61-00	02	MODULE,ACCES. GEARBOX,UNDRESSED	0	May 30/2017
72-61-00	02		1 - 3	May 30/2017
72-61-10	01	TUBE,JUNCTION	* 0	June 15/2023
72-61-10	01		* 1	June 15/2023
72-61-20	01-1/2	POWER SHAFT	* 0	June 15/2023
72-61-20	BLANK		* 0	June 15/2023
72-61-20	01-2/2		* 0	June 15/2023
72-61-20	01		* 1 - 3	June 15/2023
72-61-20	02-1/2	SHAFT ASSY,POWER	0	Dec. 30/2018
72-61-20	BLANK		0	Dec. 30/2018
72-61-20	02-2/2		0	Dec. 30/2018
72-61-20	02		1 - 3	Dec. 30/2018
72-61-30	01-1/2	GEARS	0	Dec. 30/2018
72-61-30	BLANK		0	Dec. 30/2018
72-61-30	01-2/2		0	Dec. 30/2018
72-61-30	01		1 - 3	Dec. 30/2018
72-61-40	01	BASE PLATE ASSY,FILTER	0	May 30/2017
72-61-40	01		1	May 30/2017
72-61-50	01	CASINGS,ASSEMBLED	0	June 15/2019
72-61-50	01		1 - 3	June 15/2019
72-70-00	TITLE	EXHAUST PIPE	1	Nov. 30/2009
72-70-00	01	PIPE,EXHAUST	0	Dec. 30/2019
72-70-00	01		1	Dec. 30/2019

* Page modified following update No. 50

CHAPTER 72 - TABLE OF CONTENTS

<u>Title</u>	<u>Chapter Section Subject</u>	<u>Figure</u>
ENGINE	72-00-00	
ENGINE,UNDRESSED	72-00-00	01
REDUCTION GEAR	72-10-00	
MODULE,REDUCTION GEAR	72-15-00	01
MODULE,REDUCTION GEAR,UNDRESSED	72-15-00	02
GEARS ASSY	72-15-10	01
CASING ASSY,REAR,EQUIPPED	72-15-20	01
CASING,REAR,REDUCT. GEAR	72-15-20	02
CASING ASSY,FRONT,EQUIPPED	72-15-30	01
CASING,FRONT,REDUCT.GEAR	72-15-30	02
COMPRESSOR	72-30-00	
MODULE,COMPRESSOR	72-32-00	01
CASING ASSY,EQUIPPED	72-32-10	01
CASING,COMPRESSOR	72-32-10	02
COMBUSTION	72-40-00	
MODULE,GAS GENERATOR	72-43-00	01
MODULE,GAS GENERATOR,UNDRESSED	72-43-00	02
CASING,TURBINE	72-43-00	03
REAR BEARING ASSY,DRESSED	72-43-10	01
HOUSING,REAR BEARING	72-43-10	02
DIFFUSER ASSY,DRESSED	72-43-20	01
HP NGV-ROTATING ASSY	72-43-30	01
RING ASSY,TURBINE	72-43-30	02
WHEEL ASSY,HP TURBINE	72-43-30	03
OUTER PART,COMB. CHAMBER	72-43-40	01
TURBINE	72-50-00	
MODULE,POWER TURBINE	72-54-00	01
WHEEL ASSY,POWER TURBINE	72-54-10	01
BEARING ASSY,POWER TURBINE	72-54-20	01
ACCESSORY DRIVES	72-60-00	
MODULE,ACCESSORY GEARBOX	72-61-00	01
MODULE,ACCES. GEARBOX,UNDRESSED	72-61-00	02
TUBE,JUNCTION	72-61-10	01
POWER SHAFT	72-61-20	01
SHAFT ASSY,POWER	72-61-20	02
GEARS	72-61-30	01

TURBOMECA ARRIEL 2 C1

ILLUSTRATED PARTS CATALOG

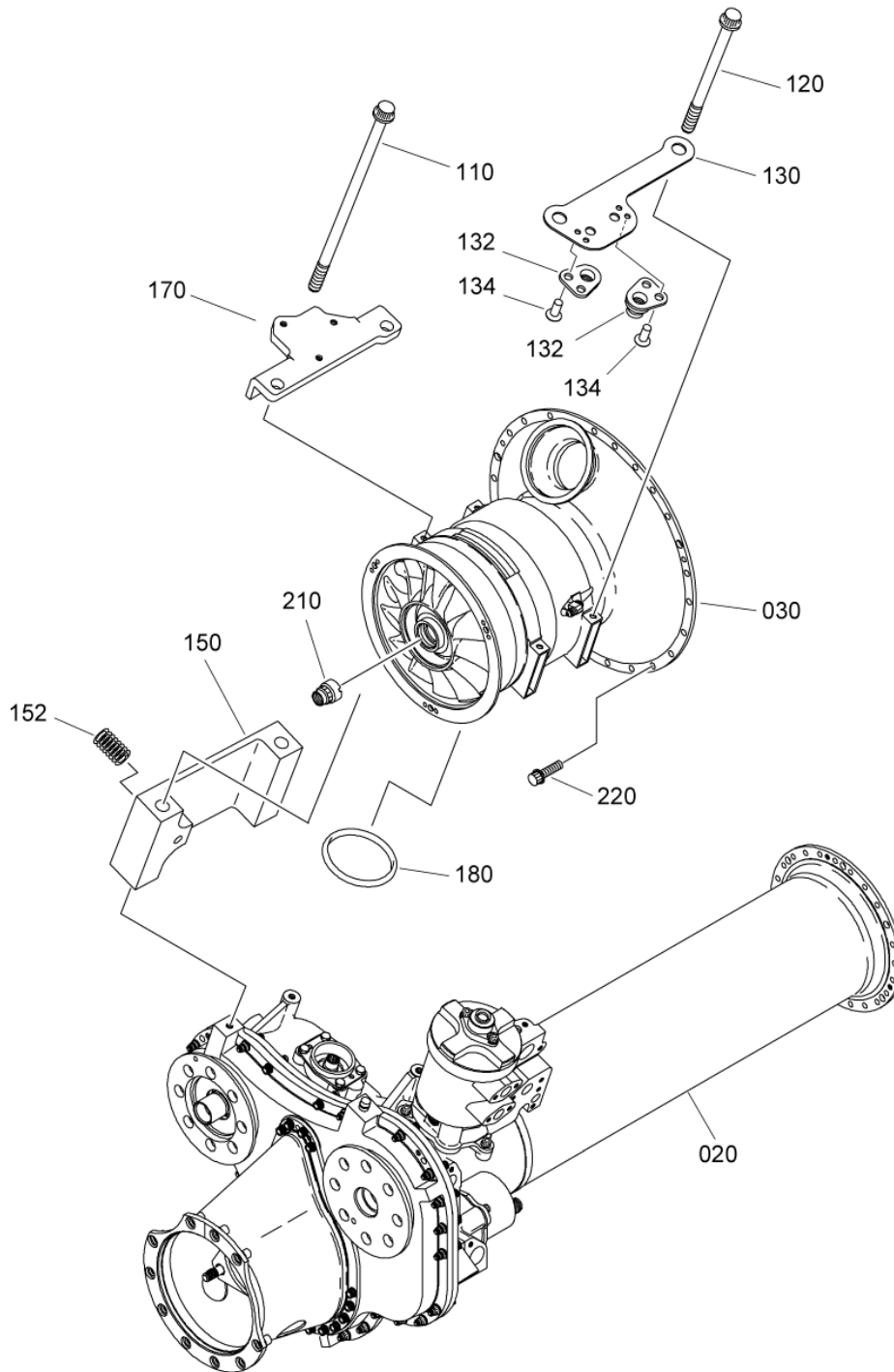
<u>Title</u>	<u>Chapter Section Subject</u>	<u>Figure</u>
BASE PLATE ASSY, FILTER	72-61-40	01
CASINGS, ASSEMBLED	72-61-50	01
EXHAUST PIPE	72-70-00	
PIPE, EXHAUST	72-70-00	01

ARRIEL 2 C1

DETAILED PART LIST

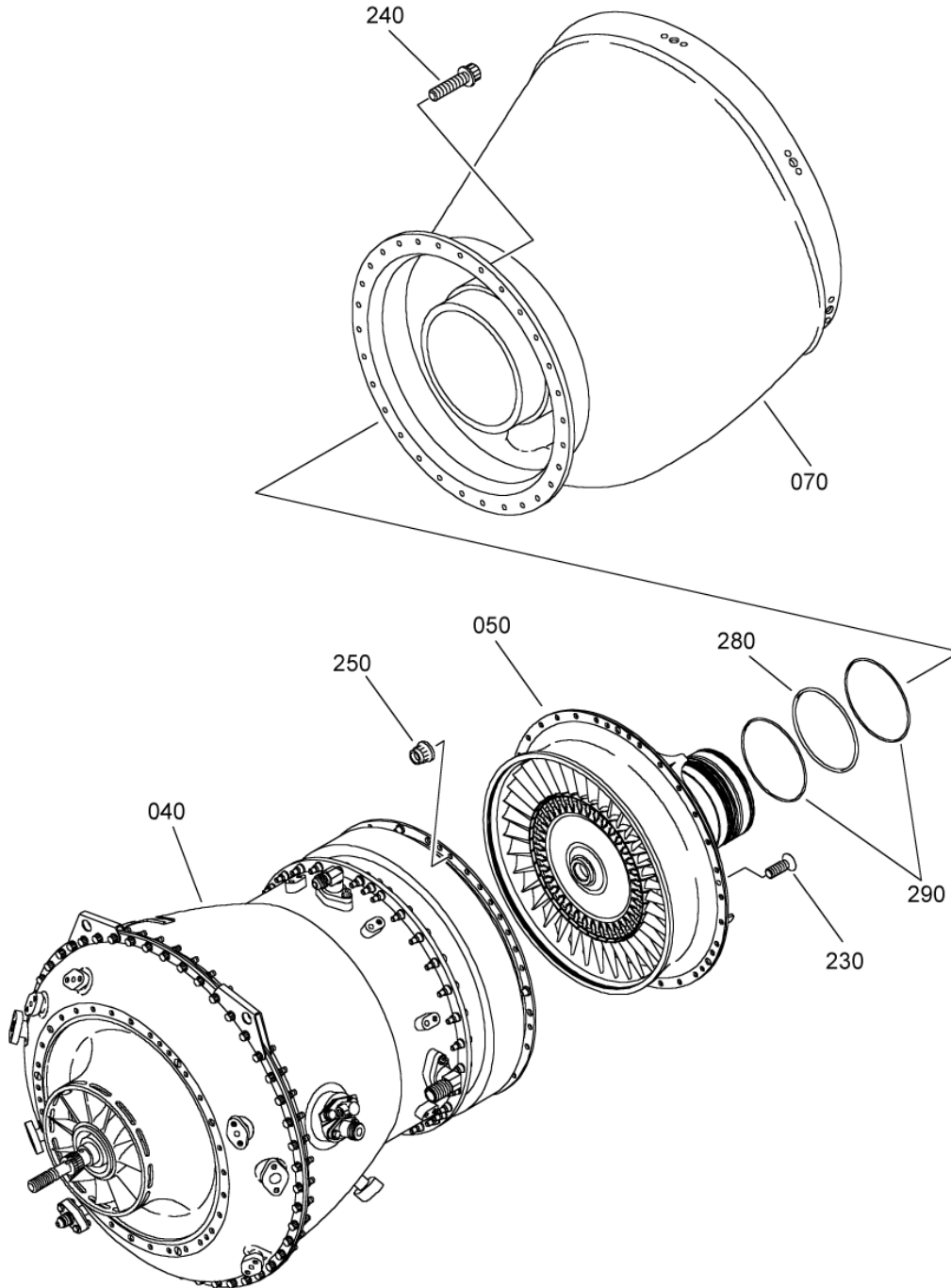
ENGINE

72-00-00



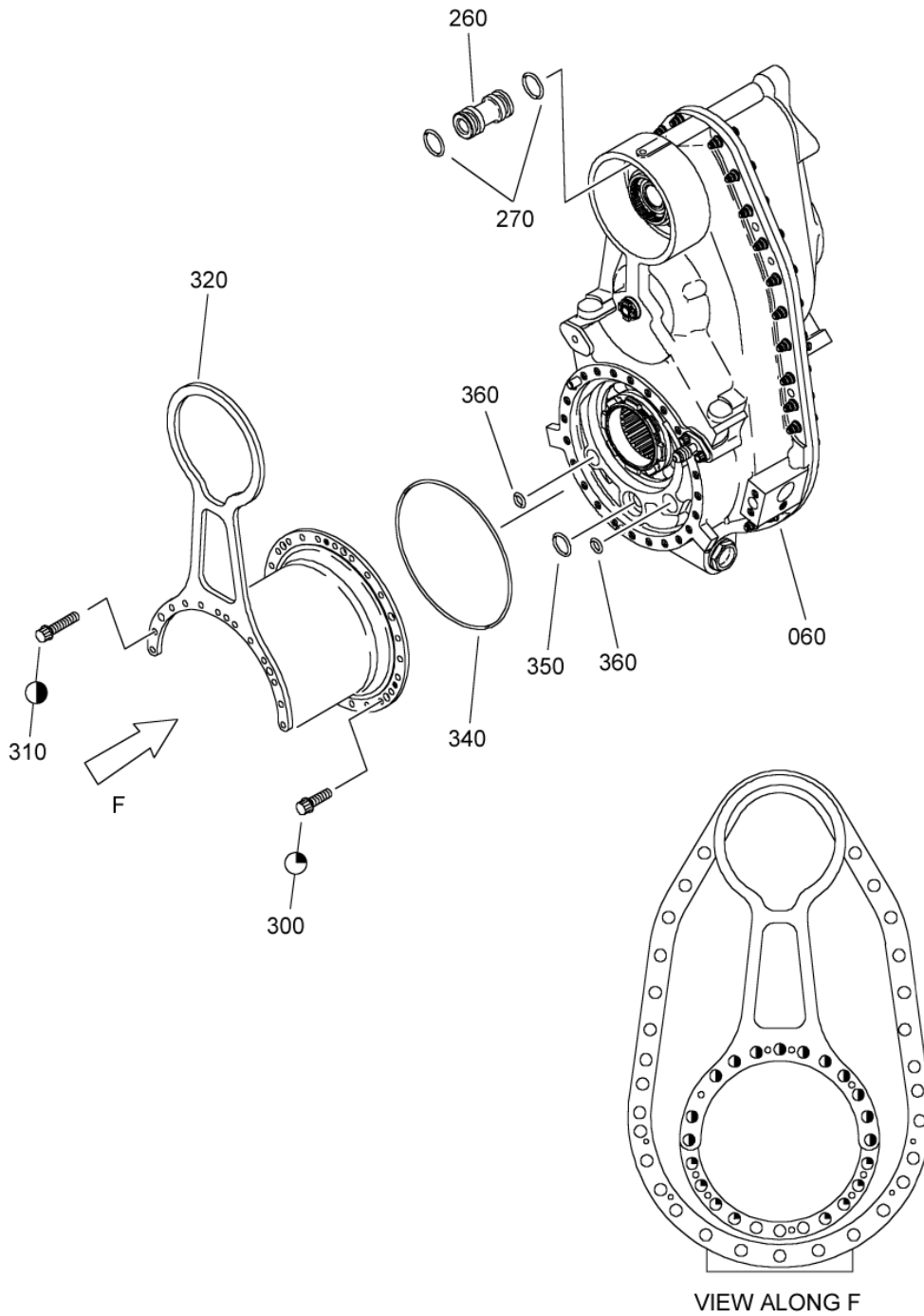
ENGINE, UNDRESSED
Figure 01 (Sheet 1/3)

PAGE LEFT BLANK INTENTIONALLY



ENGINE, UNDRESSED
Figure 01 (Sheet 2/3)

PAGE LEFT BLANK INTENTIONALLY



ENGINE, UNDRESSED
Figure 01 (Sheet 3/3)

SAFRAN HELICOPTER ENGINES

ARRIEL 2 C1

ILLUSTRATED PARTS CATALOG

FIGURE ITEM	PART NUMBER	AIRL. STOCK No.	DESCRIPTION	EFFECT	QTY
			1 2 3 4 5 6 7		
01					
-001	0292025050		ENGINE,UNDRESSED REPAIRABLE NON PROCURABLE REFER TO CHAP. 71-00-00 FIG.01 ITEM 120		RF
020	70BM011720		. MODULE,ACCESSORY GEARBOX REPAIRABLE REFER TO CHAP.72-61-00 FOR DETAILS		1
030	70BM021710		. MODULE,COMPRESSOR REPAIRABLE REFER TO CHAP.72-32-00 FOR DETAILS		1
040	70BM031720		. MODULE,GAS GENERATOR REPAIRABLE PRE TU 071A (AE 48914) POST TU 074A (AE 49457) BECOMES ITEM 040C		1
-040A	70BM031750		. MODULE,GAS GENERATOR REPAIRABLE POST TU 181 (AE 93952) BECOMES ITEM 040E POST TU 071A (AE 48914) PRE TU 074A (AE 49457)		1
-040B	70BM031740		. MODULE,GAS GENERATOR REPAIRABLE POST TU 074A (AE 49457) PRE TU 181 (AE 93952)		1
-040C	70BM031710		. MODULE,GAS GENERATOR REPAIRABLE POST TU 074A (AE 49457) RETROFIT ITEM 040		1
-040D	70BM031770		. MODULE,GAS GENERATOR REPAIRABLE POST TU 181 (AE 93952)		1
-040E	70BM031790		. MODULE,GAS GENERATOR REPAIRABLE POST TU 181 (AE 93952) RETROFIT ITEM 040A REFER TO CHAP.72-43-00 FOR DETAILS		1
050	70BM041720		. MODULE,POWER TURBINE REPAIRABLE REFER TO CHAP.72-54-00 FOR DETAILS		1
060	70BM051710		. MODULE,REDUCTION GEAR REPAIRABLE REFER TO CHAP.72-15-00 FOR DETAILS		1
070	0292815000		. PIPE,EXHAUST REPAIRABLE REFER TO CHAP.72-70-00 FOR DETAILS		1
-100	0292995160		. PARTS,ASSEMBLY NON PROCURABLE		1
110	0000026870		. . SCREW		2
120	0000025380		. . SCREW		2
130	0292767130		. . SUPPORT		1
132	5SMR4205		. . . NUT - VF0224 (9564090020)		2

- ITEM NOT ILLUSTRATED

SAFRAN HELICOPTER ENGINES

ARRIEL 2 C1

ILLUSTRATED PARTS CATALOG

FIGURE ITEM	PART NUMBER	AIRL. STOCK No.	DESCRIPTION	EFFECT	QTY
			1 2 3 4 5 6 7		
01					
134	21217CA2406		. . RIVET - VF0111 (9961240621)		4
150	0292677000		. . SPACER,EQUIPPED		1
152	EN2944-050125		. . . THREAD,INSERT - VI9005 (9728050805)		1
170	0292760020		. . SUPPORT,SENSOR		1
180	9682003092		. . PACKING,PREFORMED		1
210	0000080910		. . NUT NON PROCURABLE PRE TU 153 (AE 67997)		1
-210A	0000080710		. . NUT		1
220	EN3686050018		. . SCREW - VI9005 (9836405018)		27
230	EN2940-050014		. . SCREW - VI9005 (9840105014) PRE TU 022 (AE 45664 AVT 1)		3
240	EN3686050018		. . SCREW - VI9005 (9836405018)		27
250	EN3377-050		. . NUT - VI9005 (9867500500)		27
260	0292990150		. . DUCT PRE TU 030A (AE 45094 AVT 1)		1
-260A	0292991020		. . DUCT POST TU 030A (AE 45094 AVT 1)		1
270	9682000852		. . PACKING,PREFORMED PRE TU 030A (AE 45094 AVT 1)		2
-270A	46012A00875		. . PACKING,PREFORMED - VF0111 (9794410088) POST TU 030A (AE 45094 AVT 1)		2
280	9682508403		. . PACKING,PREFORMED		1
290	9681508502		. . PACKING,PREFORMED		2
300	EN3686050016		. . SCREW - VI9005 (9836405016)		8
310	EN3686050022		. . SCREW - VI9005 (9836405022)		12
320	0292990960		. . STIRRUP,POWER TURBINE BEARING		1
340	9682013102		. . PACKING,PREFORMED		1
350	9794172203		. . PACKING,PREFORMED		1
360	9794095203		. . PACKING,PREFORMED		2

- ITEM NOT ILLUSTRATED

PAGE LEFT BLANK INTENTIONALLY

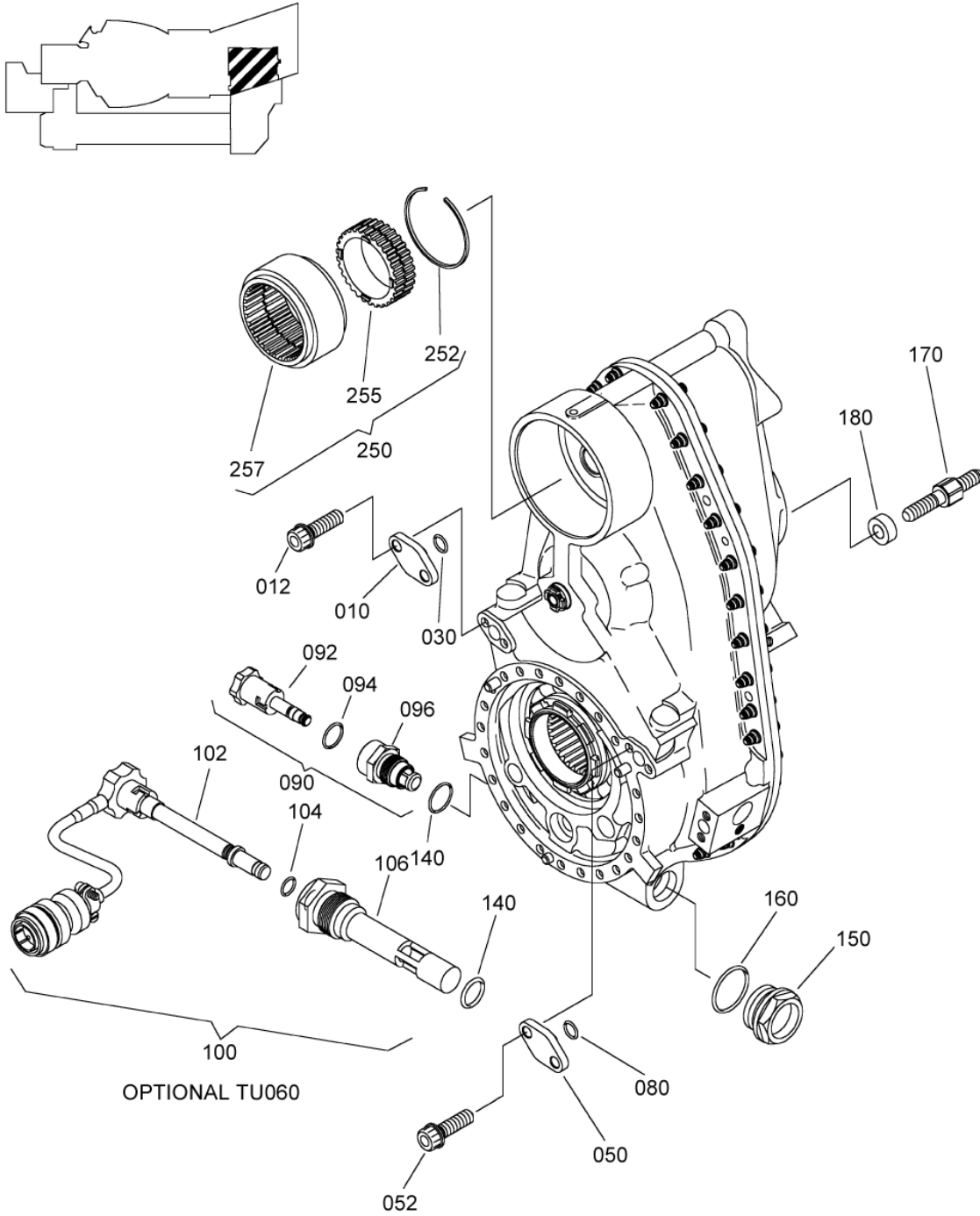
DETAILED PART LIST

REDUCTION GEAR

72-10-00

TURBOMECA ARRIEL 2 C1

ILLUSTRATED PARTS CATALOG



MODULE, REDUCTION GEAR
Figure 01

TURBOMECA ARRIEL 2 C1

ILLUSTRATED PARTS CATALOG

FIGURE ITEM	PART NUMBER	AIRL. STOCK No.	DESCRIPTION	EFFECT	QTY
			1 2 3 4 5 6 7		
01					
-001	70BM051710		MODULE,REDUCTION GEAR REPAIRABLE REFER TO CHAP. 72-00-00 FIG.01 ITEM 060		RF
010	9943800060		. BLANK PRE ACR (AE 45657)		1
012	EN3686050016		ATTACHING PARTS . SCREW - VI9005 (9836405016) PRE ACR (AE 45657) ***		2
030	46012A00560		. PACKING,PREFORMED - VF0111 (9794410056) PRE ACR (AE 45657)		1
050	9943800060		. BLANK		1
052	EN3686050016		ATTACHING PARTS . SCREW - VI9005 (9836405016) ***		2
080	46012A00560		. PACKING,PREFORMED - VF0111 (9794410056)		1
090	32059001		. MAGNETIC PLUG,MECHANICAL - VFA3W9 (9560171170) NON REPAIRABLE POST TU 069A (AE 49066)		1
092	32069101		. HEAD,MAGNETIC - VFA3W9 (9520011655) POST TU 069A (AE 49066) REFER TO ACMMB FOR DETAILS		1
094	46012A00750		. PACKING,PREFORMED - VF0111 (9794410075) POST TU 069A (AE 49066)		1
096	32059101		. RECEPTACLE - VFA3W9 (9520011653) POST TU 069A (AE 49066)		1
100	32129001		. MAGNETIC PLUG,ELECTRICAL - VFA3W9 (9550177620) NON REPAIRABLE POST TU 060 (AE 47237) OPTIONAL		1
102	32129101		. HEAD,MAGNETIC - VFA3W9 (9520011691) POST TU 060 (AE 47237)		1
104	46012A00690		. PACKING,PREFORMED - VF0111 (9794410069) POST TU 060 (AE 47237)		1
106	32129201		. RECEPTACLE - VFA3W9 (9520011692) POST TU 060 (AE 47237)		1
-110	OLVB6946		. MAGNETIC PLUG,MECHANICAL - VK0624 (9560130450) NON REPAIRABLE PRE TU 069A (AE 49066)		1
-120	9681801082		. PACKING,PREFORMED PRE TU 069A (AE 49066)		2
-130	OLVB3419		. PLUG,BASE - VK0624 (9560130460) PRE TU 069A (AE 49066)		1
140	9794190253		. PACKING,PREFORMED		1
150	9892100070		. PLUG		1
160	9794190253		. PACKING,PREFORMED		1
170	0000023950		. SCREW,TAIL		1
180	0000410170		. WASHER		1

- ITEM NOT ILLUSTRATED

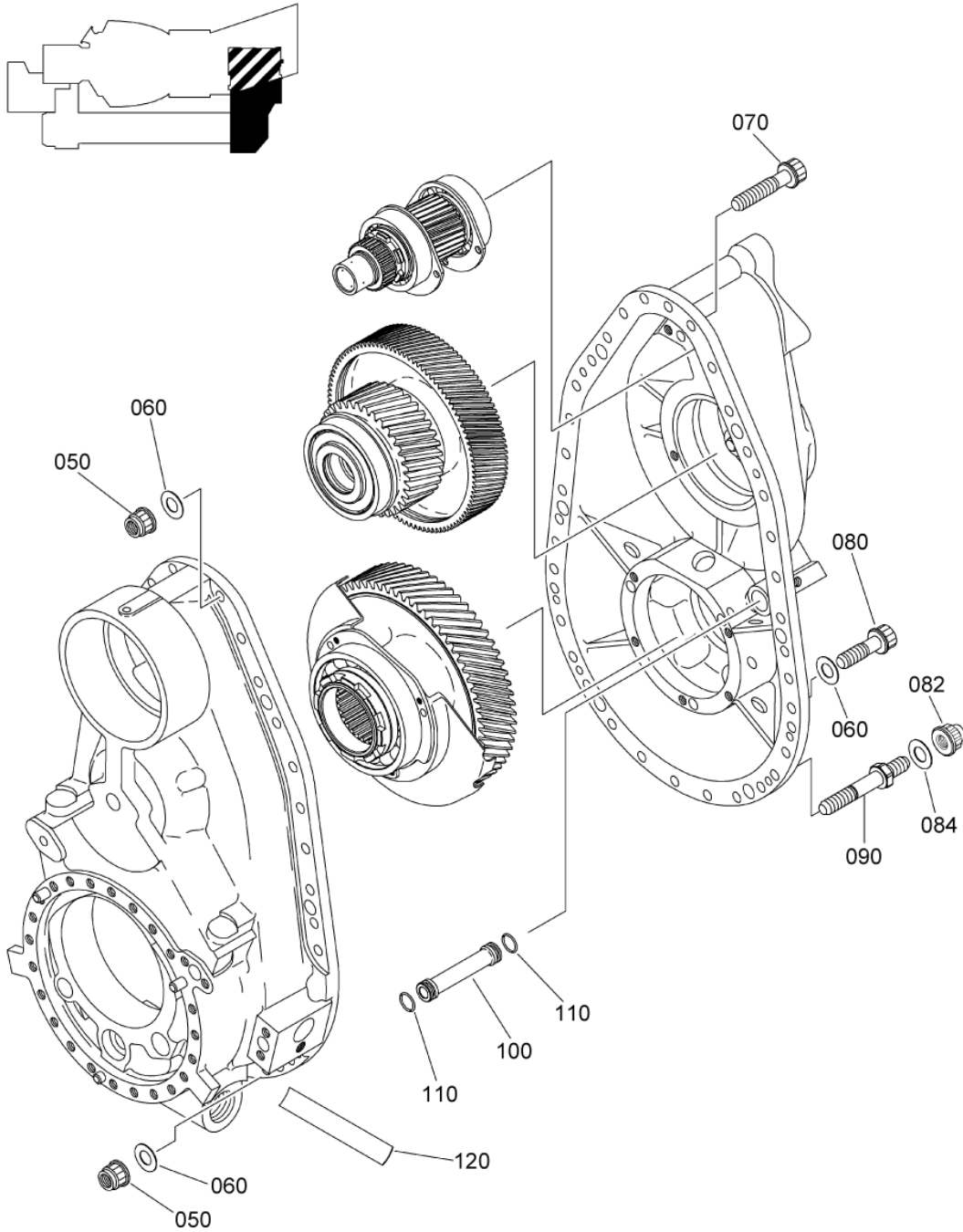
TURBOMECA ARRIEL 2 C1

ILLUSTRATED PARTS CATALOG

FIGURE ITEM	PART NUMBER	AIRL. STOCK No.	DESCRIPTION	EFFECT	QTY
			1 2 3 4 5 6 7		
01					
250	0292717210		. SLEEVE, ASSY PRE TU 057 (AE 47258)		1
-250A	0292717390		. SLEEVE, ASSY POST TU 057 (AE 47258) PRE TU 100A (AE 50745)		1
-250B	0292717600		. SLEEVE, ASSY POST TU 100A (AE 50745)		1
252	0292710530		. . STOP		1
255	0292710540		. . RING,RETAINING PRE TU 057 (AE 47258) PART OF ITEM 250		1
-255A	0292710740		. . RING,RETAINING PRE TU 100A (AE 50745) POST TU 057 (AE 47258) PART OF ITEM 250A		1
-255B	0292710890		. . RING,RETAINING POST TU 100A (AE 50745) PART OF ITEM 250B		1
257	0292710560		. . SLEEVE PRE TU 057 (AE 47258) PART OF ITEM 250		1
-257A	0292710780		. . SLEEVE PRE TU 100A (AE 50745) POST TU 057 (AE 47258) PART OF ITEM 250A		1
-257B	0292710900		. . SLEEVE POST TU 100A (AE 50745) PART OF ITEM 250B		1
-300	-		. MODULE,REDUCTION GEAR,UNDRESSED NON PROCURABLE REFER TO FIG.02 FOR DETAILS		1

- ITEM NOT ILLUSTRATED

PAGE LEFT BLANK INTENTIONALLY



MODULE,REDUCTION GEAR,UNDRESSED
Figure 02

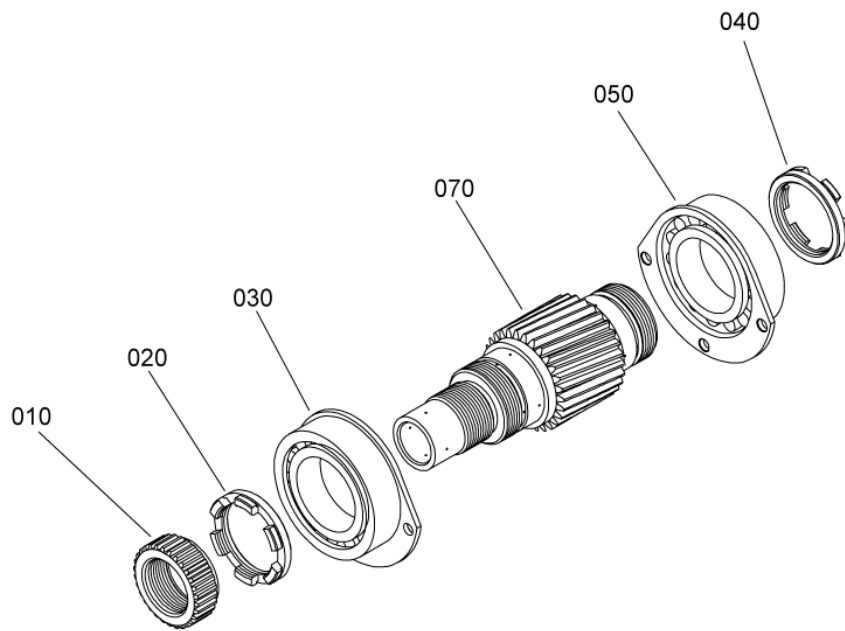
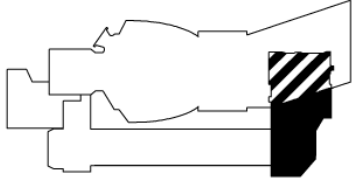
SAFRAN HELICOPTER ENGINES

ARRIEL 2 C1

ILLUSTRATED PARTS CATALOG

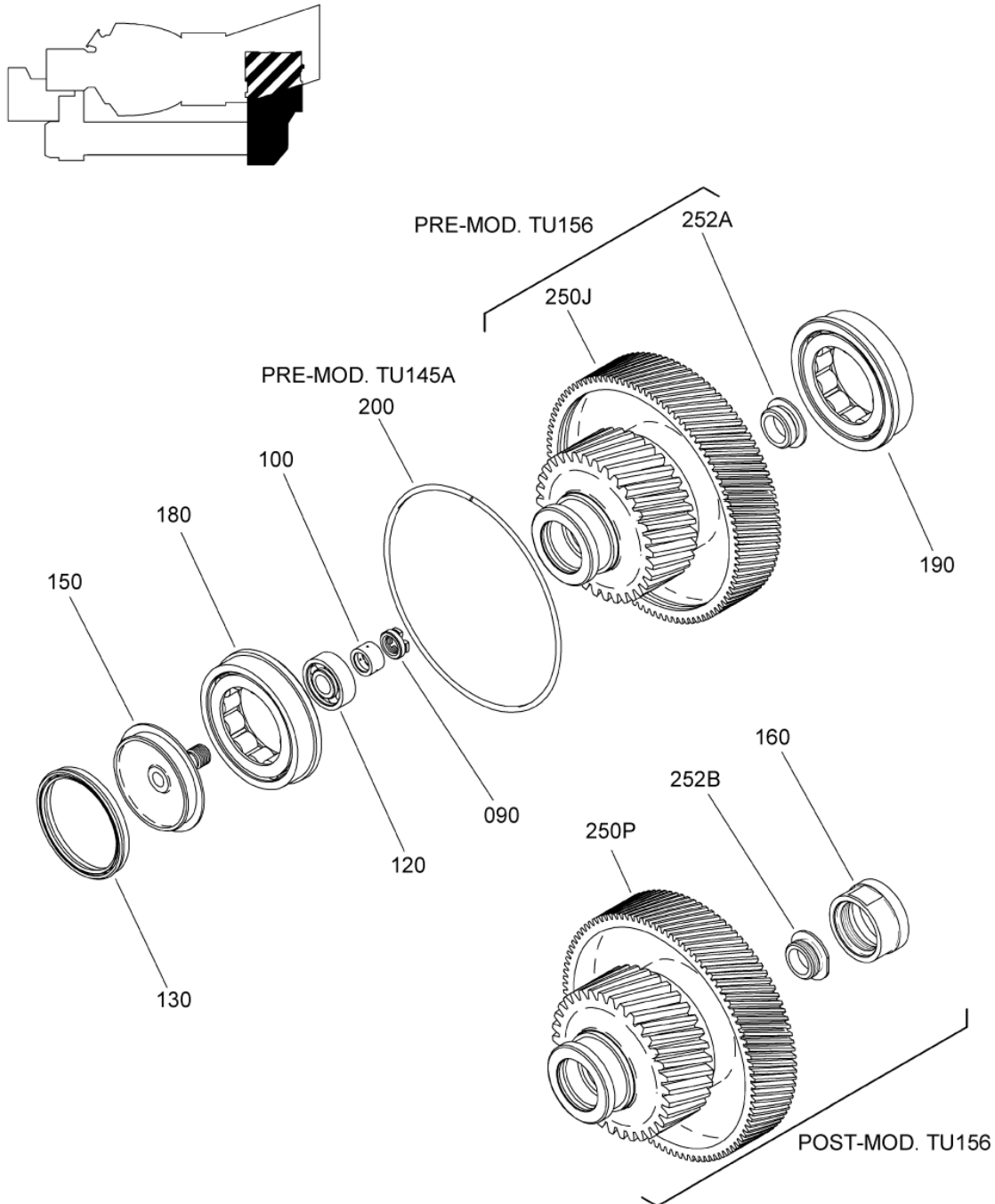
FIGURE ITEM	PART NUMBER	AIRL. STOCK No.	DESCRIPTION	EFFECT	QTY
			1 2 3 4 5 6 7		
02					
-001	-		MODULE,REDUCTION GEAR,UNDRESSED NON PROCURABLE REFER TO FIG. 01 ITEM 300		RF
050	9866205026		. NUT 9866205026 IS THE SAFRAN HE PART NUMBER FOR: VF0111 - 22526-050 VI9005 - EN2906-050		26
060	9740050022		. WASHER		34
070	EN3686050024		. SCREW - VI9005 (9836405024)		22
080	EN3686050018		. SCREW - VI9005 (9836405018)		8
082	9866205026		. NUT 9866205026 IS THE SAFRAN HE PART NUMBER FOR: VF0111 - 22526-050 VI9005 - EN2906-050		2
084	9740050022		. WASHER		2
090	0000025840		. SCREW, TAIL		4
100	0292700360		. DUCT		1
110	9682001003		. PACKING, PREFORMED		2
120	0084003850		. PLATE, IDENTIFICATION POST ACR (AE 65089)		1
-120A	0000840720		. PLATE, IDENTIFICATION POST ACR (AE 121677) ALTERNATE ITEM 120		1
-150	-		. GEARS ASSY NON PROCURABLE REFER TO CHAP.72-15-10 FOR DETAILS		1
-200	-		. CASING ASSY, REAR, EQUIPPED NON PROCURABLE REFER TO CHAP.72-15-20 FOR DETAILS		1
-250	-		. CASING ASSY, FRONT, EQUIPPED NON PROCURABLE REFER TO CHAP.72-15-30 FOR DETAILS		1

- ITEM NOT ILLUSTRATED



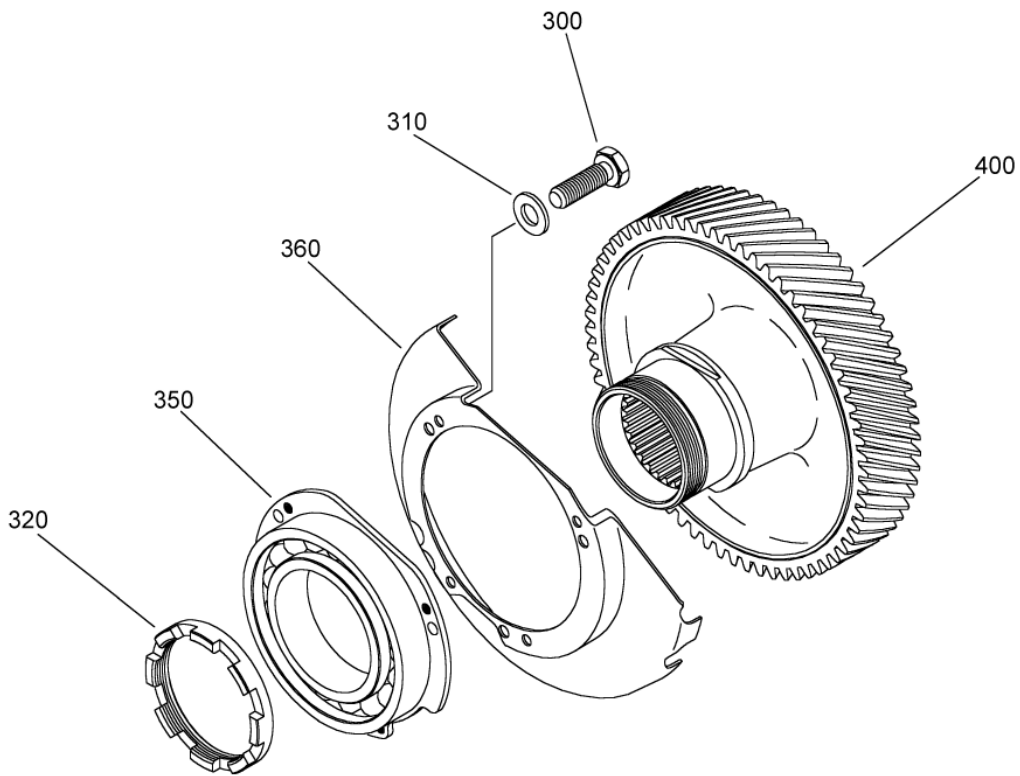
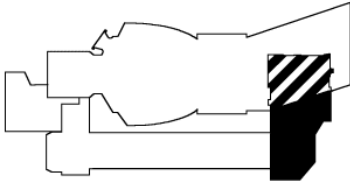
GEARS ASSY
Figure 01 (Sheet 1/3)

PAGE LEFT BLANK INTENTIONALLY



GEARS ASSY
Figure 01 (Sheet 2/3)

PAGE LEFT BLANK INTENTIONALLY



GEARS ASSY
Figure 01 (Sheet 3/3)

SAFRAN HELICOPTER ENGINES

ARRIEL 2 C1

ILLUSTRATED PARTS CATALOG

FIGURE ITEM	PART NUMBER	AIRL. STOCK No.	DESCRIPTION	EFFECT	QTY
			1 2 3 4 5 6 7		
01					
-001	-		GEARS ASSY NON PROCURABLE REFER TO CHAP. 72-15-00 FIG.02 ITEM 150		RF
010	0292710510		. NUT,SPLINED		1
020	EN3295-035		. NUT - VI9005 (9880300035) PRE ACR (AE 44966 AVT 1)		1
-020A	9880400035		. NUT POST ACR (AE 44966 AVT 1)		1
030	9609000488		. BEARING,FRONT,DRIVING GEAR 9609000488 IS THE SAFRAN HE PART NUMBER FOR: VF0771 - CSNFX35/5-05RH3SA2 PRE ACR (AE 46003) PRE ACR (AE 95675) USE WITH ITEMS 070 070A 070B		1
-030A	9609000619		. BEARING,FRONT,DRIVING GEAR 9609000619 IS THE SAFRAN HE PART NUMBER FOR: VF0771 - CSNFX 35/5A 05RH3SA25/35 POST ACR (AE 46003) PRE ACR (AE 95675) ALTERNATE ITEM 030 USE WITH ITEMS 070 070A 070B		1
-030B	BC1-9910		. BEARING,FRONT,DRIVING GEAR - VF0771 (9609000738) POST ACR (AE 95675) ALTERNATE ITEM 030A		1
-030C	NF13531S3		. BEARING,FRONT,DRIVING GEAR - VF0673 (9608000738) POST ACR (AE 95675) ALTERNATE ITEM 030B		1
040	EN3728-035		. NUT - VI9005 (9880310035) PRE ACR (AE 44966 AVT 1)		1
-040A	9880410035		. NUT POST ACR (AE 44966 AVT 1)		1
050	9609000488		. BEARING,REAR,DRIVING GEAR 9609000488 IS THE SAFRAN HE PART NUMBER FOR: VF0771 - CSNFX35/5-05RH3SA2 PRE ACR (AE 46003) PRE ACR (AE 95675) USE WITH ITEMS 070 070A 070B		1
-050A	9609000619		. BEARING,REAR,DRIVING GEAR 9609000619 IS THE SAFRAN HE PART NUMBER FOR: VF0771 - CSNFX 35/5A 05RH3SA25/35 POST ACR (AE 46003) PRE ACR (AE 95675) ALTERNATE ITEM 050 USE WITH ITEMS 070 070A 070B		1
-050B	BC1-9910		. BEARING,REAR,DRIVING GEAR - VF0771 (9609000738) POST ACR (AE 95675) ALTERNATE ITEM 050A		1
-050C	NF13531S3		. BEARING,REAR,DRIVING GEAR - VF0673 (9608000738) POST ACR (AE 95675) ALTERNATE ITEM 050B		1

- ITEM NOT ILLUSTRATED

SAFRAN HELICOPTER ENGINES

ARRIEL 2 C1

ILLUSTRATED PARTS CATALOG

FIGURE ITEM	PART NUMBER	AIRL. STOCK No.	DESCRIPTION	EFFECT	QTY
			1 2 3 4 5 6 7		
01					
070	0292710570		. GEAR,DRIVING PRE TU 057 (AE 47258) POST TU 057 BECOMES ITEM 070B		1
-070A	0292710750		. GEAR,DRIVING POST TU 057 (AE 47258) PRE ACR (AE 95675)		1
-070B	0292717400		. GEAR,DRIVING POST TU 057 (AE 47258) RETROFIT ITEM 070 PRE ACR (AE 95675)		1
-070C	0292710480		. GEAR,DRIVING POST ACR (AE 95675) USE WITH ITEMS 030B 030C 050B 050C		1
090	EN3295-012		. NUT - V19005 (9880300012) PRE ACR (AE 44966 AVT 1)		1
-090A	9880400012		. NUT POST ACR (AE 44966 AVT 1)		1
100	0292710160		. RING		1
120	9609000585		. BEARING,PISTON 9609000585 IS THE SAFRAN HE PART NUMBER FOR: VF0771 - SP212/6-05RH1BA35		1
130	PVK300670AT24S		. BUSH,SEALING - VF9088 (9560159150)		1
150	0292710340		. PISTON		1
160	0292710140		. SLEEVE,REAR STOP POST TU 156 (AE 66061)		1
180	9609000521		. BEARING,FRONT,INTERMEDIATE GEAR 9609000521 IS THE SAFRAN HE PART NUMBER FOR: VF0771 - CSNL35/18 05RH1BAS PRE ACR (AE 46277)		1
-180A	9609000623		. BEARING,FRONT,INTERMEDIATE GEAR 9609000623 IS THE SAFRAN HE PART NUMBER FOR: VF0771 - CSNL35/19A 05RH1BAS/BI PRE TU 119A (AE 48452) POST ACR (AE 46277)		1
-180B	CSNL 35/19-01		. BEARING,FRONT,INTERMEDIATE GEAR - VF0771 (9609000624) POST ACR (AE 46277)		1
-180C	CSNL35/21A		. BEARING,FRONT,INTERMEDIATE GEAR - VF0771 (9609000676) POST TU 119A (AE 48452) PRE TU218 (AE 119504)		1
-180D	XR13532S1		. BEARING,FRONT,INTERMEDIATE GEAR - VF0673 (9609000656) POST TU 119A (AE 48452) PRE TU218 (AE 119504) ALTERNATE ITEM 180C		1
-180E	9609000594		DELETED 9609000594 IS THE SAFRAN HE PART NUMBER FOR: VF0771 - CSNL 35/1801 05RH1BAS/BI		

- ITEM NOT ILLUSTRATED

SAFRAN HELICOPTER ENGINES

ARRIEL 2 C1

ILLUSTRATED PARTS CATALOG

FIGURE ITEM	PART NUMBER	AIRL. STOCK No.	DESCRIPTION	EFFECT	QTY
			1 2 3 4 5 6 7		
01 -180F	RBC1-9946 A.01		. BEARING,FRONT,INTERMEDIATE GEAR - VF0771 (9609000734) POST ACR (AE 94289) PRE TU218 (AE 119504) ALTERNATE ITEM 180C USE WITH ITEMS 250P 250Q		1
-180G	RBC1-9946 A		. BEARING,FRONT,INTERMEDIATE GEAR - VF0771 (9609000793) POST TU218 (AE 119504)		1
-180H	RBC1-9946 B		. BEARING,FRONT,INTERMEDIATE GEAR - VF0771 (9609000794) POST TU218 (AE 119504) USE WITH ITEMS 250P 250Q		1
190	9609000521		. BEARING,REAR,INTERMEDIATE GEAR 9609000521 IS THE SAFRAN HE PART NUMBER FOR: VF0771 - CSNL35/18 05RH1BAS PRE ACR (AE 46277)		1
-190A	9609000623		. BEARING,REAR,INTERMEDIATE GEAR 9609000623 IS THE SAFRAN HE PART NUMBER FOR: VF0771 - CSNL35/19A 05RH1BAS/BI PRE TU 119A (AE 48452) POST ACR (AE 46277)		1
-190B	CSNL 35/19-01		. BEARING,REAR,INTERMEDIATE GEAR - VF0771 (9609000624) POST ACR (AE 46277)		1
-190C	CSNL35/21A		. BEARING,REAR,INTERMEDIATE GEAR - VF0771 (9609000676) POST TU 119A (AE 48452) PRE TU218 (AE 119504)		1
-190D	XR13532S1		. BEARING,REAR,INTERMEDIATE GEAR - VF0673 (9609000656) POST TU 119A (AE 48452) PRE TU218 (AE 119504) ALTERNATE ITEM 190C		1
-190E	9609000594		DELETED 9609000594 IS THE SAFRAN HE PART NUMBER FOR: VF0771 - CSNL 35/1801 05RH1BAS/BI		
-190F	RBC1-9946 A.01		. BEARING,REAR,INTERMEDIATE GEAR - VF0771 (9609000734) POST ACR (AE 94289) PRE TU218 (AE 119504) ALTERNATE ITEM 190C USE WITH ITEMS 250P 250Q		1
-190G	RBC1-9946 A		. BEARING,REAR,INTERMEDIATE GEAR - VF0771 (9609000793) POST TU218 (AE 119504)		1
-190H	RBC1-9946 B		. BEARING,REAR,INTERMEDIATE GEAR - VF0771 (9609000794) POST TU218 (AE 119504) USE WITH ITEMS 250P 250Q		1

- ITEM NOT ILLUSTRATED

SAFRAN HELICOPTER ENGINES

ARRIEL 2 C1

ILLUSTRATED PARTS CATALOG

FIGURE ITEM	PART NUMBER	AIRL. STOCK No.	DESCRIPTION	EFFECT	QTY
			1 2 3 4 5 6 7		
01					
200	A18846/8		. RING,DAMPING - VK1209 (9560167380) PRE TU 145A (AE 63738)		1
-250	0292717250		. GEAR,INTERMEDIATE POST TU 058A (AE 47871) BECOMES ITEM 250B PRE ACR (AE 50901) POST TU 142A (AE 63356) BECOMES ITEM 250K POST ACR (AE 51671) BECOMES ITEM 250G		1
-250A	0292717310		. GEAR,INTERMEDIATE POST TU 058A (AE 47871) BECOMES ITEMS 250C 250D		1
-250B	0292717430		. GEAR,INTERMEDIATE POST TU 058A (AE 47871) RETROFIT ITEM 250		1
-250C	729271731A		. GEAR,INTERMEDIATE POST TU 058A (AE 47871) RETROFIT ITEM 250A PRE TU 058A (AE 47871 AVT 4)		1
-250D	0292717560		. GEAR,INTERMEDIATE POST TU 058A (AE 47871) RETROFIT ITEM 250A PRE TU 058A (AE 47871 AVT 4)		1
-250E	0292717620		. GEAR,INTERMEDIATE POST ACR (AE 50901) POST TU 142A (AE 63356) BECOMES ITEM 250J POST ACR (AE 51671 AVT1) BECOMES ITEM 250F PRE ACR (AE 51671)		1
-250F	0292717670		. GEAR,INTERMEDIATE POST ACR (AE 51671) POST TU 142A (AE 63356) BECOMES ITEM 250H PRE TU 142A (AE 63356) POST ACR (AE 51671 AVT 1) RETROFIT ITEM 250E		1
-250G	0292717690		. GEAR,INTERMEDIATE POST TU 142A (AE 63356) BECOMES ITEM 250L POST ACR (AE 51671) RETROFIT ITEM 250		1
-250H	0292710010		. GEAR,INTERMEDIATE POST TU 142A (AE 63356) RETROFIT ITEM 250F POST TU 142A (AE 63356) PRE TU 145A (AE 63738)		1
-250J	0292710020		. GEAR,INTERMEDIATE POST TU 142A (AE 63356) RETROFIT ITEM 250E		1
-250K	0292710040		. GEAR,INTERMEDIATE POST TU 142A (AE 63356) RETROFIT ITEM 250		1
-250L	0292710050		. GEAR,INTERMEDIATE POST TU 142A (AE 63356) RETROFIT ITEM 250G		1

- ITEM NOT ILLUSTRATED

SAFRAN HELICOPTER ENGINES

ARRIEL 2 C1

ILLUSTRATED PARTS CATALOG

FIGURE ITEM	PART NUMBER	AIRL. STOCK No.	DESCRIPTION	EFFECT	QTY
			1 2 3 4 5 6 7		
01					
-250M	0292710080		. GEAR,INTERMEDIATE PRE TU 156 (AE 66061) POST TU 145A (AE 63738)		1
250N	0292717720		. GEAR,INTERMEDIATE POST TU 156 (AE 66061)		1
-250P	7292717721		. GEAR,INTERMEDIATE POST ACR (AE 94289) ALTERNATE ITEM 250N USE WITH ITEMS 180F 180H 190F 190H		1
-250Q	7292710081		. GEAR,INTERMEDIATE POST ACR (AE 94289) ALTERNATE ITEM 250M USE WITH ITEMS 180F 180H 190F 190H		1
-252	2292710040		. . BLANK PRE TU 142A (AE 63356) PART OF ITEMS 250 250A 250B 250C 250D 250E 250F 250G		1
252A	2292710100		. . BLANK PRE TU 156 (AE 66061) POST TU 142A (AE 63356) PART OF ITEMS 250H 250J 250K 250L 250M 250Q		1
252B	2292710720		. . BLANK POST TU 156 (AE 66061) PART OF ITEMS 250N 250P		1
300	EN3613-050016		. SCREW - V19005 (9836505016)		4
310	23112CF050		. WASHER - VF0111 (9975050024)		4
320	9880400060		. NUT		1
-320A	9880500060		. NUT POST ACR (AE 122271) ALTERNATE ITEM 320		1
350	9609000489		. BEARING,FRONT,OUTPUT GEAR 9609000489 IS THE SAFRAN HE PART NUMBER FOR: VF0771 - CS6060X/8 05RBA35/45 PRE ACR (AE 95072) USE WITH ITEMS 400 400A 400C 400D		1
-350A	BB1-9652 A.01		. BEARING,FRONT,OUTPUT GEAR - VF0771 (9609000737) POST ACR (AE 95072) ALTERNATE ITEM 350		1
-350B	AB13528S2		. BEARING,FRONT,OUTPUT GEAR - VF0673 (9608000737) POST ACR (AE 95072) ALTERNATE ITEM 350A		1
360	0292710150		. DEFLECTOR		1
400	0292710580		. GEAR,OUTPUT PRE ACR (AE 95072) POST ACR (AE 116734) BECOMES ITEM 400C USE WITH CHAP. 72-15-20 FIG.01 ITEM 200		1

- ITEM NOT ILLUSTRATED

SAFRAN HELICOPTER ENGINES

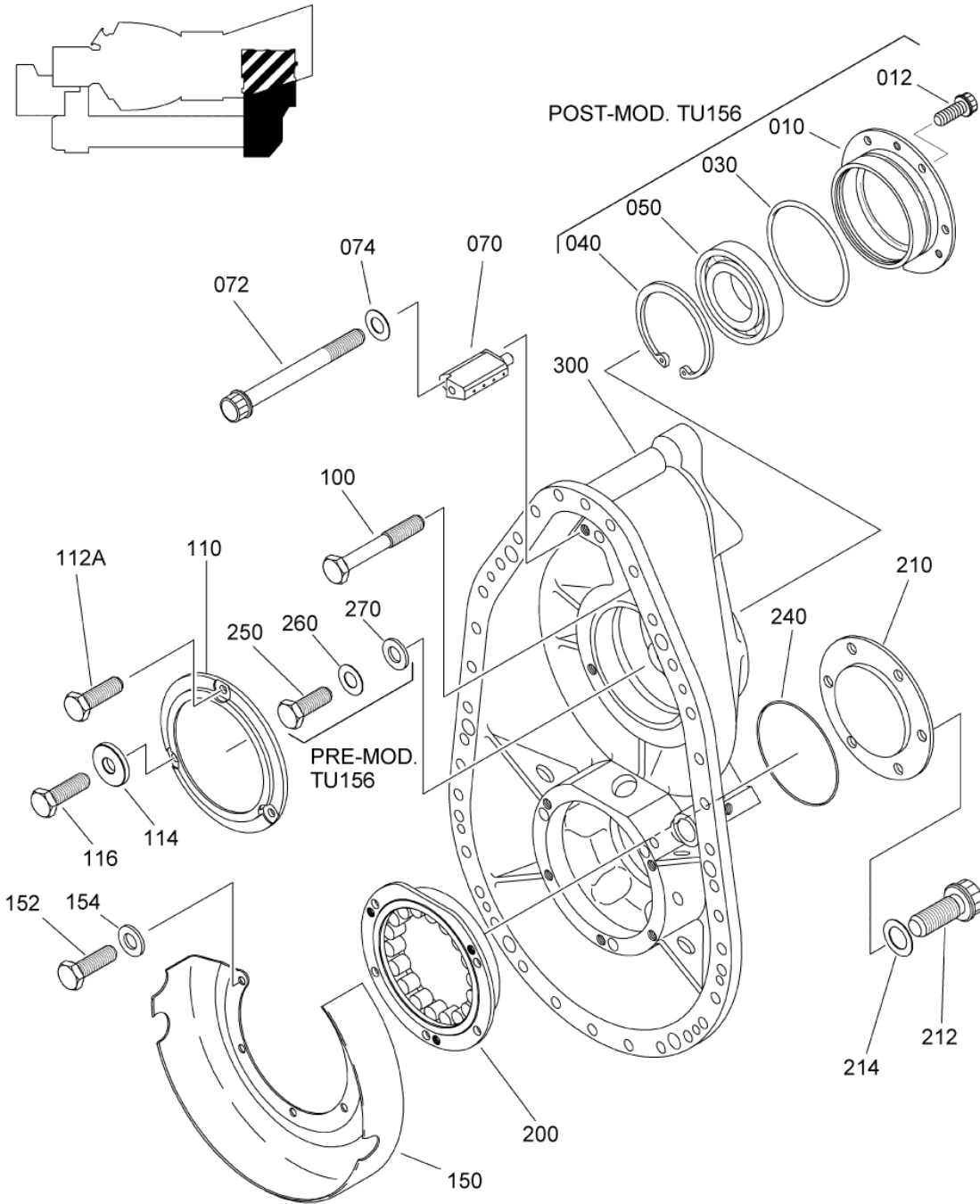
ARRIEL 2 C1

ILLUSTRATED PARTS CATALOG

FIGURE ITEM	PART NUMBER	AIRL. STOCK No.	DESCRIPTION	EFFECT	QTY
			1 2 3 4 5 6 7		
01 -400A	0292710440		. GEAR,OUTPUT PRE ACR (AE 95072) POST ACR (AE 116734) BECOMES ITEM 400D ALTERNATE ITEM 400 USE WITH CHAP. 72-15-20 FIG.01 ITEM 200		1
-400B	0292710470		. GEAR,OUTPUT POST ACR (AE 116734) BECOMES ITEM 400E POST ACR (AE 95072) USE WITH ITEMS 350A 350B 72152001200		1
-400C	7292710581		. GEAR,OUTPUT POST ACR (AE 116734) RETROFIT ITEM 400 USE WITH CHAP. 72-15-20 FIG.01 ITEM 200A		1
-400D	7292710441		. GEAR,OUTPUT POST ACR (AE 116734) RETROFIT ITEM 400A USE WITH CHAP. 72-15-20 FIG.01 ITEM 200A		1
-400E	7292710471		. GEAR,OUTPUT POST ACR (AE 116734) RETROFIT ITEM 400B USE WITH ITEMS 350A 350B 72152001200A		1

- ITEM NOT ILLUSTRATED

PAGE LEFT BLANK INTENTIONALLY



CASING ASSY, REAR, EQUIPPED
Figure 01

SAFRAN HELICOPTER ENGINES

ARRIEL 2 C1

ILLUSTRATED PARTS CATALOG

FIGURE ITEM	PART NUMBER	AIRL. STOCK No.	DESCRIPTION	EFFECT	QTY
			1 2 3 4 5 6 7		
01					
-001	-		CASING ASSY,REAR,EQUIPPED NON PROCURABLE REFER TO CHAP. 72-15-00 FIG.02 ITEM 200		RF
010	0292710260		. COVER,REAR STOP POST TU 156 (AE 66061)		1
012	EN3686050014		ATTACHING PARTS . SCREW - VI9005 (9836405014) POST TU 156 (AE 66061) ***		6
030	46012A06300		. PACKING,PREFORMED - VF0111 (9794410630) POST TU 156 (AE 66061)		1
040	DIN472_62x2_1		. CIRCLIP - VD8286 (9744062100) POST TU 156 (AE 66061)		1
050	9606490801		. BEARING 9606490801 IS THE SAFRAN HE PART NUMBER FOR: VF0771 - S19040/1-5RLA33-44 POST TU 156 (AE 66061)		1
-050A	61908/C3		. BEARING - VF0272 (9601490801) POST ACR (AE 96331) ALTERNATE ITEM 050		1
070	0292717030		. JET,REAR,DRIVING GEAR ATTACHING PARTS		1
072	EN3686050050		. SCREW - VI9005 (9836405050)		1
074	9740050022		. WASHER ***		1
100	EN3613-050034		. SCREW - VI9005 (9836505034)		3
110	0292702380		. FLANGE ATTACHING PARTS		1
112	EN3613-050016		. SCREW - VI9005 (9836505016) PRE ACR (AE 70433)		3
-112A	EN3613-050016		. SCREW - VI9005 (9836505016) POST ACR (AE 70433)		2
114	0292701040		. WASHER		1
116	EN3613-050016		. SCREW - VI9005 (9836505016) POST ACR (AE 70433) ***		1
150	0292710130		. DEFLECTOR ATTACHING PARTS		1
152	EN3613-050016		. SCREW - VI9005 (9836505016)		5
154	23112CF050		. WASHER - VF0111 (9975050024) ***		5
200	9609000514		. BEARING,REAR,OUTPUT GEAR 9609000514 IS THE SAFRAN HE PART NUMBER FOR: VF0771 - CSNUX55/11 05RLA S/BI PRE ACR (AE 116734) USE WITH CHAP. 72-15-10 FIG.01 ITEMS 400 400A 400B		1

- ITEM NOT ILLUSTRATED

SAFRAN HELICOPTER ENGINES

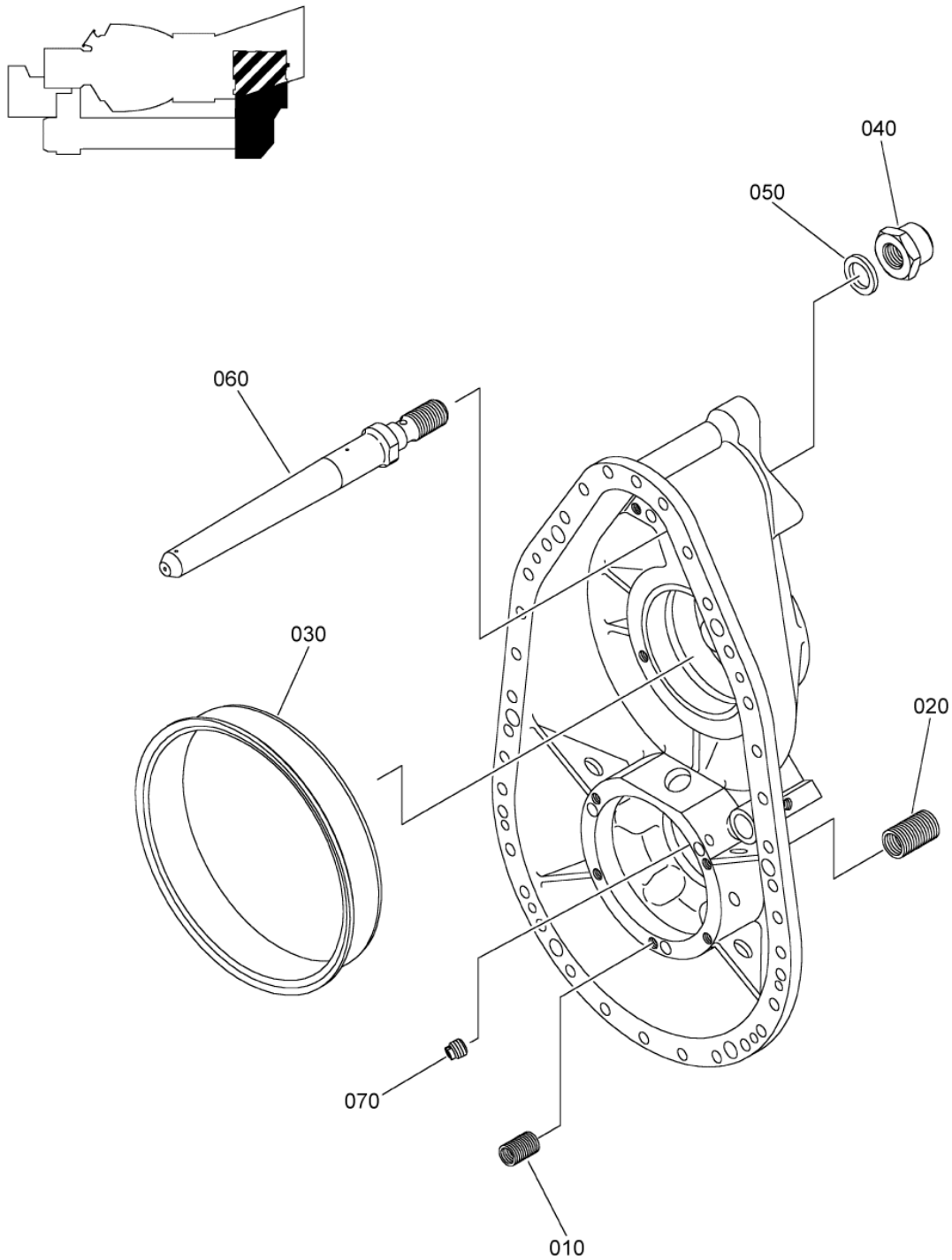
ARRIEL 2 C1

ILLUSTRATED PARTS CATALOG

FIGURE ITEM	PART NUMBER	AIRL. STOCK No.	DESCRIPTION	EFFECT	QTY
			1 2 3 4 5 6 7		
01 -200A	9609000667		. BEARING,REAR,OUTPUT GEAR 9609000667 IS THE SAFRAN HE PART NUMBER FOR: VF0771 - CSNUX55/1101 05RLAS/BI POST ACR (AE 116734) USE WITH CHAP. 72-15-10 FIG.01 ITEMS 400C 400D 400E		1
210	0292910020		. COVER,BLANKING		1
212	EN3686070018		ATTACHING PARTS . SCREW - VI9005 (9836407018)		6
214	9975070024		. WASHER ***		6
240	9681506552		. PACKING,PREFORMED		1
250	EN3613-050014		. SCREW - VI9005 (9836505014) PRE TU 156 (AE 66061)		1
260	23112CF050		. WASHER - VF0111 (9975050024) PRE TU 156 (AE 66061)		AR
270	9740050022		. WASHER PRE TU 156 (AE 66061)		AR
300	0292717020		. CASING,REAR,REDUCT. GEAR PRE ACR (AE 46162) POST TU 057 BECOMES ITEM 300C POST ACR (AE 46162) BECOMES ITEM 300A		1
-300A	0292717350		. CASING,REAR,REDUCT. GEAR PRE TU 057 (AE 47258) POST ACR (AE 46162) POST ACR (AE 46162) RETROFIT ITEM 300		1
-300B	0292717420		. CASING,REAR,REDUCT. GEAR PRE TU 156 (AE 66061) POST TU 156 (AE 66061) BECOMES ITEM 300D POST TU 057 (AE 47258)		1
-300C	729271702A		. CASING,REAR,REDUCT. GEAR POST TU 156 (AE 66061) BECOMES ITEM 300E POST TU 057 (AE 47258) RETROFIT ITEM 300		1
-300D	0292717740		. CASING,REAR,REDUCT. GEAR POST TU 156 (AE 66061) RETROFIT ITEM 300B POST TU 156 (AE 66061)		1
-300E	729271742A		. CASING,REAR,REDUCT. GEAR POST TU 156 (AE 66061) RETROFIT ITEM 300C REFER TO FIG.02 FOR DETAILS		1

- ITEM NOT ILLUSTRATED

PAGE LEFT BLANK INTENTIONALLY



CASING, REAR, REDUCT. GEAR
Figure 02

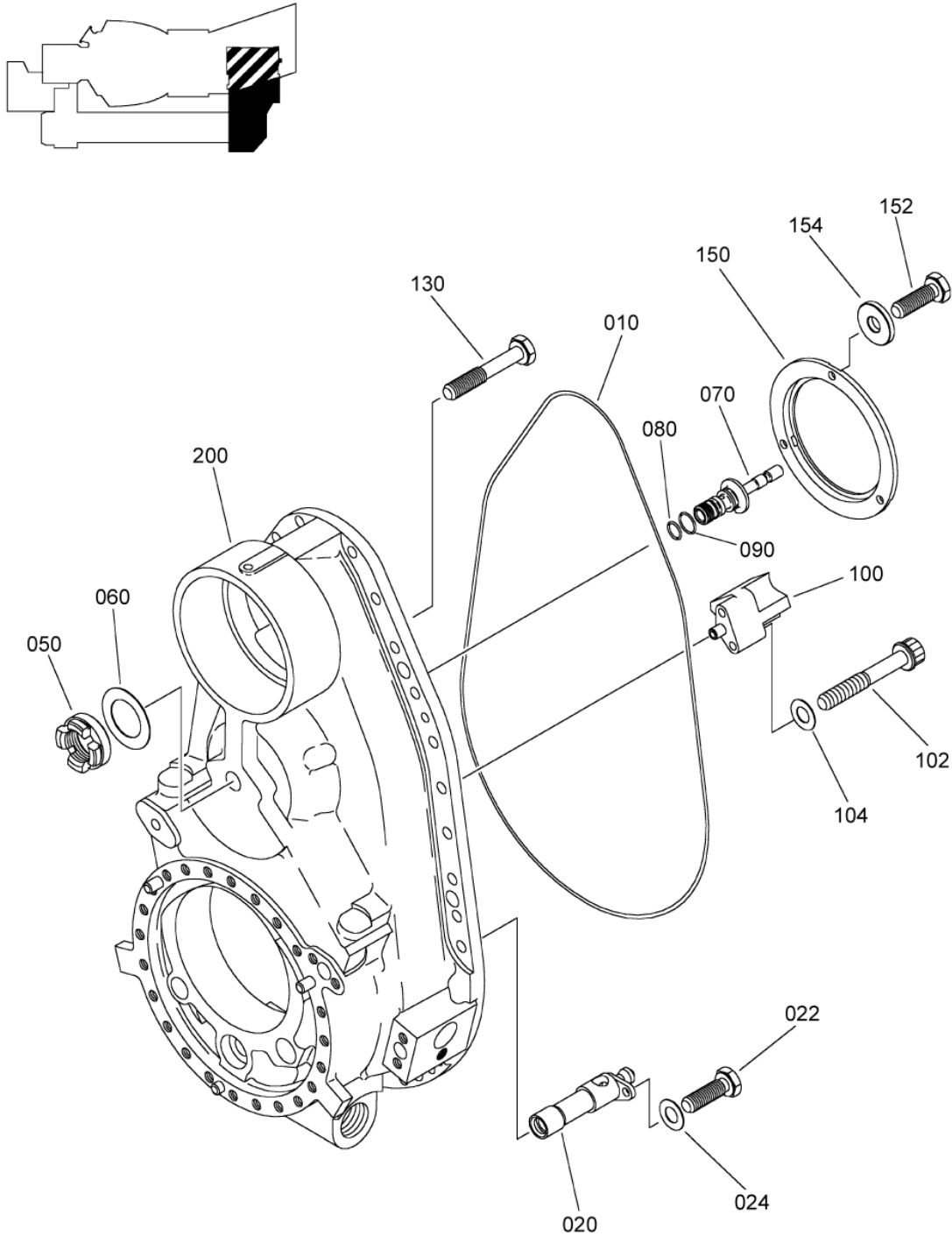
SAFRAN HELICOPTER ENGINES

ARRIEL 2 C1

ILLUSTRATED PARTS CATALOG

FIGURE ITEM	PART NUMBER	AIRL. STOCK No.	DESCRIPTION	EFFECT	QTY
			1 2 3 4 5 6 7		
02					
-001	0292717020		CASING,REAR,REDUCT. GEAR PRE ACR (AE 46162) POST TU 057 BECOMES ITEM 001C POST ACR (AE 46162) BECOMES ITEM 001A	a	RF
-001A	0292717350		CASING,REAR,REDUCT. GEAR PRE TU 057 (AE 47258) POST ACR (AE 46162) POST ACR (AE 46162) RETROFIT ITEM 001	b	RF
-001B	0292717420		CASING,REAR,REDUCT. GEAR PRE TU 156 (AE 66061) POST TU 156 (AE 66061) BECOMES ITEM 001D POST TU 057 (AE 47258)	c	RF
-001C	729271702A		CASING,REAR,REDUCT. GEAR POST TU 156 (AE 66061) BECOMES ITEM 001E POST TU 057 (AE 47258) RETROFIT ITEM 001	d	RF
-001D	0292717740		CASING,REAR,REDUCT. GEAR POST TU 156 (AE 66061) RETROFIT ITEM 001B POST TU 156 (AE 66061)	e	RF
-001E	729271742A		CASING,REAR,REDUCT. GEAR POST TU 156 (AE 66061) RETROFIT ITEM 001C REFER TO FIG. 01 ITEM 300	f	RF
-005	2292710050		. CASING PRE ACR (AE 46162)	a, d, f	1
-005A	2292710700		. CASING POST ACR (AE 46162) PRE TU156 (AE 66061)	b, c	1
-005B	2292710730		. CASING POST TU156 (AE 66061)	e	1
010	EN2944-050100		. THREAD,INSERT - V19005 (9728050804) PRE TU 156 (AE 66061)	a, b, c, d	14
-010A	EN2944-050100		. THREAD,INSERT - V19005 (9728050804) POST TU 156 (AE 66061)	e, f	19
020	EN2944-070140		. THREAD,INSERT - V19005 (9728071004)		6
030	2292701310		. RING		1
040	9779040039		. NUT,BLIND		1
050	9752008044		. SEAL		1
060	0292710550		. JET,FRONT,DRIVING GEAR PRE TU 057 (AE 47258)	a, b	1
-060A	0292710730		. JET,FRONT,DRIVING GEAR POST TU 057 (AE 47258)	c, d, e, f	1
070	9898080524		. JET		1
-080	9897050031		. PLUG		3

- ITEM NOT ILLUSTRATED



CASING ASSY,FRONT,EQUIPPED
Figure 01

SAFRAN HELICOPTER ENGINES

ARRIEL 2 C1

ILLUSTRATED PARTS CATALOG

FIGURE ITEM	PART NUMBER	AIRL. STOCK No.	DESCRIPTION	EFFECT	QTY
			1 2 3 4 5 6 7		
01					
-001	-		CASING ASSY,FRONT,EQUIPPED NON PROCURABLE REFER TO CHAP. 72-15-00 FIG.02 ITEM 250		RF
010	9682129152		. PACKING,PREFORMED		1
020	0292710070		. JET,FRONT,OUTPUT GEAR		1
			ATTACHING PARTS		
022	EN3613-050016		. SCREW - VI9005 (9836505016)		2
024	9740050022		. WASHER ***		2
050	EN3295-012		. NUT - VI9005 (9880300012) PRE ACR (AE 44966 AVT 1)		1
-050A	9880400012		. NUT POST ACR (AE 44966 AVT 1)		1
060	9740120022		. WASHER		1
070	0292717050		. DUCT,OIL PRE TU221 (AE 117538)		1
-070A	0292720980		. DUCT,OIL POST TU221 (AE 117538)		1
080	9794080203		. PACKING,PREFORMED		1
090	46012A01060		. PACKING,PREFORMED - VF0111 (9794410106)		1
100	0292717040		. JET,GEAR,INTERMEDIATE		1
			ATTACHING PARTS		
102	EN3686050034		. SCREW - VI9005 (9836405034)		2
104	9740050022		. WASHER ***		2
130	EN3613-050030		. SCREW - VI9005 (9836505030)		3
150	0292702380		. FLANGE		1
			ATTACHING PARTS		
152	EN3613-050016		. SCREW - VI9005 (9836505016)		3
154	0292701040		. WASHER ***		1
200	0292717220		. CASING,FRONT,REDUCT.GEAR PRE ACR (AE 46162) POST TU 072A BECOMES ITEM 200E POST ACR (AE 46162) BECOMES ITEM 200A		1
-200A	0292717330		. CASING,FRONT,REDUCT.GEAR POST ACR (AE 46162) RETROFIT ITEM 200 POST TU 072A BECOMES ITEM 200D PRE ACR (AE 45657)		1
-200B	0292717320		. CASING,FRONT,REDUCT.GEAR PRE TU 072A (AE 48376) POST TU 072A BECOMES ITEM 200C POST ACR (AE 45657)		1
-200C	0292717470		. CASING,FRONT,REDUCT.GEAR POST TU 072A (AE 48376) RETROFIT ITEM 200B		1

- ITEM NOT ILLUSTRATED

SAFRAN HELICOPTER ENGINES

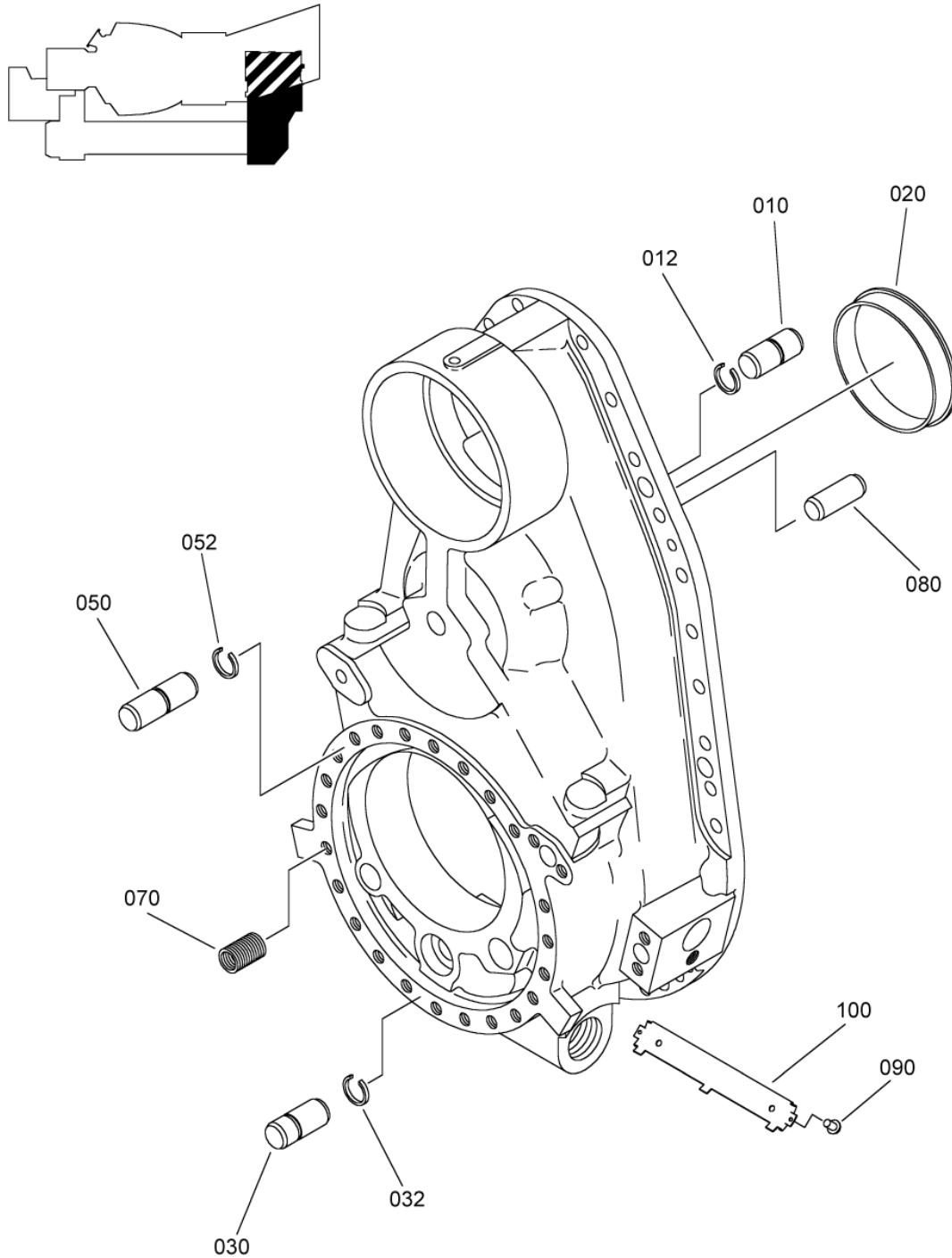
ARRIEL 2 C1

ILLUSTRATED PARTS CATALOG

FIGURE ITEM	PART NUMBER	AIRL. STOCK No.	DESCRIPTION	EFFECT	QTY
			1 2 3 4 5 6 7		
01 -200D	0292717570		. CASING,FRONT,REDUCT.GEAR POST TU 072A (AE 48376) RETROFIT ITEM 200A		1
-200E	729271722A		. CASING,FRONT,REDUCT.GEAR POST TU 072A (AE 48376 AVT 1) RETROFIT ITEM 200 REFER TO FIG.02 FOR DETAILS		1

- ITEM NOT ILLUSTRATED

PAGE LEFT BLANK INTENTIONALLY



CASING,FRONT,REDUCT.GEAR
Figure 02

SAFRAN HELICOPTER ENGINES

ARRIEL 2 C1

ILLUSTRATED PARTS CATALOG

FIGURE ITEM	PART NUMBER	AIRL. STOCK No.	DESCRIPTION	EFFECT	QTY
			1 2 3 4 5 6 7		
02					
-001	0292717220		CASING,FRONT,REDUCT.GEAR PRE ACR (AE 46162) POST TU 072A BECOMES ITEM 001E POST ACR (AE 46162) BECOMES ITEM 001A	a	RF
-001A	0292717330		CASING,FRONT,REDUCT.GEAR POST ACR (AE 46162) RETROFIT ITEM 001 POST TU 072A BECOMES ITEM 001D PRE ACR (AE 45657)	b	RF
-001B	0292717320		CASING,FRONT,REDUCT.GEAR PRE TU 072A (AE 48376) POST TU 072A BECOMES ITEM 001C POST ACR (AE 45657)	c	RF
-001C	0292717470		CASING,FRONT,REDUCT.GEAR POST TU 072A (AE 48376) RETROFIT ITEM 001B	d	RF
-001D	0292717570		CASING,FRONT,REDUCT.GEAR POST TU 072A (AE 48376) RETROFIT ITEM 001A	e	RF
-001E	729271722A		CASING,FRONT,REDUCT.GEAR POST TU 072A (AE 48376 AVT 1) RETROFIT ITEM 001 REFER TO FIG. 01 ITEM 200	f	RF
010	0292707090		. PIN,CENTERING PRE ACR (AE 48990)		6
-010A	0292708530		. PIN,CENTERING POST ACR (AE 48990)		6
012	9745007005		. . RING,RETAINING		1
020	2292701310		. RING POST TU 072A (AE 48376)	d, e, f	1
030	0292707100		. PIN,CENTERING		1
032	9745007005		. . RING,RETAINING		1
050	0292717230		. PIN,CENTERING		2
052	9745007005		. . RING,RETAINING		1
070	EN2944-050100		. THREAD,INSERT - V19005 (9728050804) PRE ACR (AE 45544)	a	51
-070A	EN2944-050100		. THREAD,INSERT - V19005 (9728050804) POST ACR (AE 45544) PRE ACR (AE 45657)	a, b, e, f	54
-070B	EN2944-050100		. THREAD,INSERT - V19005 (9728050804) POST ACR (AE 45657)	c, d	52
080	9757030800		. PIN,CENTERING		1
090	SIMOLG3-5		. NAIL,SPLINED - VF1701 (9567720030)		2
100	0084004520		. SLIDE		1

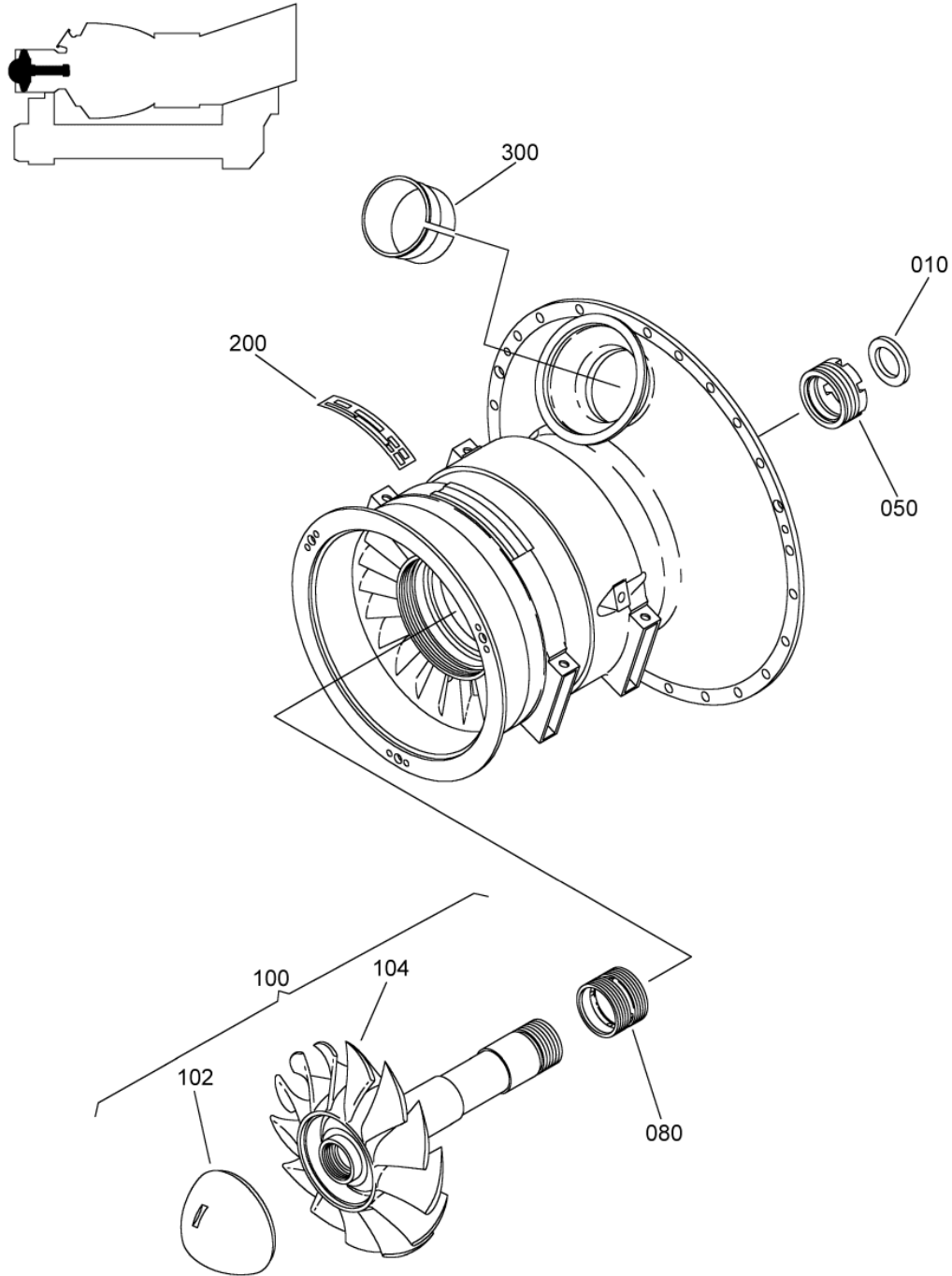
- ITEM NOT ILLUSTRATED

ARRIEL 2 C1

DETAILED PART LIST

COMPRESSOR

72-30-00



MODULE,COMPRESSOR
Figure 01

SAFRAN HELICOPTER ENGINES

ARRIEL 2 C1

ILLUSTRATED PARTS CATALOG

FIGURE ITEM	PART NUMBER	AIRL. STOCK No.	DESCRIPTION	EFFECT	QTY
			1 2 3 4 5 6 7		
01					
-001	70BM021710		MODULE,COMPRESSOR REPAIRABLE REFER TO CHAP. 72-00-00 FIG.01 ITEM 030		RF
010	0292990070		. WASHER		1
050	0314160040		. LABYRINTH,REAR PRE TU 116A (AE 51083)		1
-050A	0292153400		. LABYRINTH,REAR POST TU 116A (AE 51083)		1
080	0314160070		. LABYRINTH,FRONT PRE TU 116A (AE 51083)		1
-080A	0292153420		. LABYRINTH,FRONT PRE TU 153 (AE 67997) POST TU 116A (AE 51083)		1
-080B	0292150010		. LABYRINTH,FRONT POST TU 153 (AE 67997)		1
100	0292158400		. WHEEL ASSY,AXIAL COMPRESSOR,DRESSED POST ACR (AE 46568) POST TU 036 BECOMES ITEM 100B PRE TU 047 (AE 45203)		1
-100A	0292158480		. WHEEL ASSY,AXIAL COMPRESSOR,DRESSED POST TU 047 (AE 45203) PRE TU 153 (AE 67997) POST TU 036 BECOMES ITEM 100C		1
-100B	729215840A		. WHEEL ASSY,AXIAL COMPRESSOR,DRESSED POST TU 036 (AE 45600 AVT 2) RETROFIT ITEM 100		1
-100C	729215848A		. WHEEL ASSY,AXIAL COMPRESSOR,DRESSED POST TU 036 (AE 45600 AVT 2) RETROFIT ITEM 100A		1
-100D	0292150090		. WHEEL ASSY,AXIAL COMPRESSOR,DRESSED POST TU 153 (AE 67997)		1
102	0292990630		. . CONE,INLET		1
104	0292158220		. . WHEEL ASSY,AXIAL COMPRESSOR POST TU 036 BECOMES ITEM 104B PRE TU 047 (AE 45203) POST TU 153 (AE 67997) BECOMES ITEM 104F PART OF ITEM 100		1
-104A	0292158470		. . WHEEL ASSY,AXIAL COMPRESSOR POST TU 036 BECOMES ITEM 104C POST TU 047 (AE 45203) PRE ACR (AE 62610) POST TU153 (AE 67997) BECOMES ITEM 104E PART OF ITEM 100A		1
-104B	729215822A		. . WHEEL ASSY,AXIAL COMPRESSOR POST TU 036 (AE 45600 AVT 2) RETROFIT ITEM 104 PART OF ITEM 100B		1

- ITEM NOT ILLUSTRATED

SAFRAN HELICOPTER ENGINES

ARRIEL 2 C1

ILLUSTRATED PARTS CATALOG

FIGURE ITEM	PART NUMBER	AIRL. STOCK No.	DESCRIPTION	EFFECT	QTY
			1 2 3 4 5 6 7		
01					
-104C	729215847A		. . WHEEL ASSY,AXIAL COMPRESSOR POST TU 036 (AE 45600 AVT 2) RETROFIT ITEM 104A PART OF ITEM 100C		1
-104D	0292150330		. . WHEEL ASSY,AXIAL COMPRESSOR POST ACR (AE 62610) POST TU153 (AE 67997) BECOMES ITEM 104G PART OF ITEM 100A		1
-104E	0292150030		. . WHEEL ASSY,AXIAL COMPRESSOR PRE ACR (AE 62610) POST TU153 (AE 67997) RETROFIT ITEM 104A PART OF ITEM 100D		1
-104F	0292150040		. . WHEEL ASSY,AXIAL COMPRESSOR POST TU 153 (AE 67997) RETROFIT ITEM 104 PART OF ITEM 100D		1
-104G	0292150250		. . WHEEL ASSY,AXIAL COMPRESSOR POST ACR (AE 62610) POST TU153 (AE 67997) RETROFIT ITEM 104D PART OF ITEM 100D		1
-104H			DELETED		
-110	2292152910		. . . WHEEL,AXIAL NON PROCURABLE PRE TU 047 (AE 45203) POST TU 036 BECOMES ITEM 110B PART OF ITEMS 104 104F		1
-110A	2292153270		. . . WHEEL,AXIAL NON PROCURABLE POST TU 036 BECOMES ITEM 110C POST TU 047 (AE 45203) PRE ACR (AE 62610) PART OF ITEMS 104A 104E		1
-110B	729215291A		. . . WHEEL,AXIAL NON PROCURABLE POST TU 036 (AE 45600 AVT 1) RETROFIT ITEM 110 PART OF ITEM 104B		1
-110C	729215327A		. . . WHEEL,AXIAL NON PROCURABLE POST TU 036 (AE 45600 AVT 1) RETROFIT ITEM 110A PART OF ITEM 104C		1
-110D	2292150170		. . . WHEEL,AXIAL NON PROCURABLE POST ACR (AE 62610) PART OF ITEMS 104D 104G		1
-110E			DELETED		

- ITEM NOT ILLUSTRATED

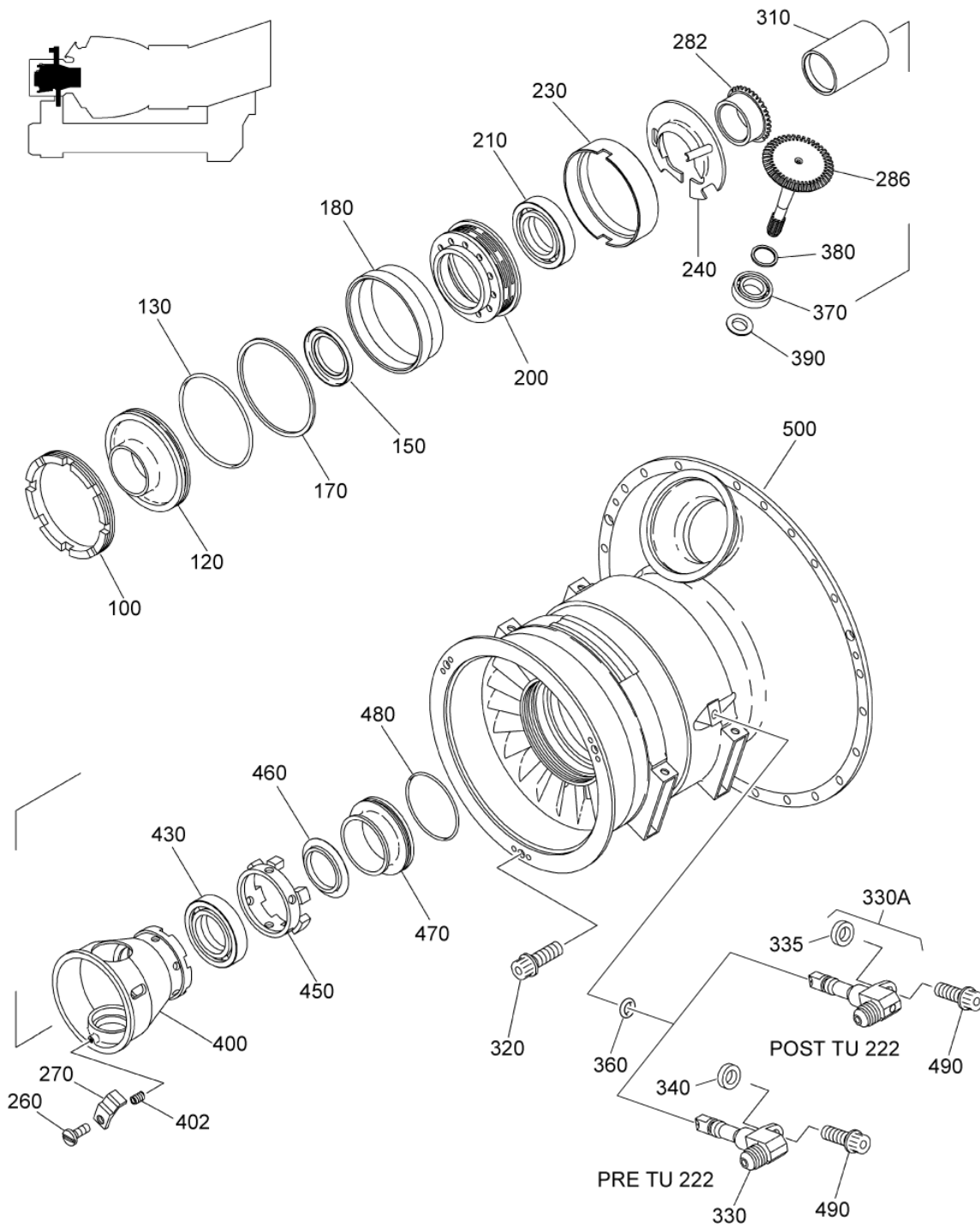
SAFRAN HELICOPTER ENGINES

ARRIEL 2 C1

ILLUSTRATED PARTS CATALOG

FIGURE ITEM	PART NUMBER	AIRL. STOCK No.	DESCRIPTION	EFFECT	QTY
			1 2 3 4 5 6 7		
01					
-115	2292152790		. . . SHAFT NON PROCURABLE PRE TU 153 (AE 67997) PRE ACR (AE 105635) PART OF ITEMS 104 104A 104B 104C 104D		1
-115A	2292150110		. . . SHAFT NON PROCURABLE POST TU 153 (AE 67997) PRE ACR (AE 105635) PART OF ITEMS 104E 104F 104G		1
-115B	2292150280		. . . SHAFT NON PROCURABLE POST ACR (AE 105635) PART OF ITEMS 104 104A 104B 104C 104D		1
-115C	2292150310		. . . SHAFT NON PROCURABLE POST ACR (AE 105635) PART OF ITEMS 104E 104F 104G		1
-150	-		. CASING ASSY,EQUIPPED NON PROCURABLE REFER TO CHAP.72-32-10 FOR DETAILS		1
200	0000840070		. PLATE,IDENTIFICATION PRE ACR (AE 45485)		1
-200A	0084003850		. PLATE,IDENTIFICATION		1
-200B	0000840460		. PLATE,IDENTIFICATION PRE ACR (AE 83183) POST ACR (AE 45485)		1
-200C	0000840720		. PLATE,IDENTIFICATION POST ACR (AE 121677) ALTERNATE ITEM 200A		1
300	0292153330		. SLEEVE POST TU 054 (AE 47514)		1

- ITEM NOT ILLUSTRATED



CASING ASSY,EQUIPPED
Figure 01

SAFRAN HELICOPTER ENGINES

ARRIEL 2 C1

ILLUSTRATED PARTS CATALOG

FIGURE ITEM	PART NUMBER	AIRL. STOCK No.	DESCRIPTION							EFFECT	QTY	
			1	2	3	4	5	6	7			
01												
-001	-											RF
100	0292150280											1
120	0314160060											1
-120A	0292153410											1
130	9682006962											1
150	0292102850											1
170	0292150240											1
-170A	0292153190											1
180	0292151460											1
200	0292152530											1
210	9609000486											1
-210A	BAQ-9737											1
230	0292151450											1
240	0292157670											1
260	22294CE030008E											1
270	0292150820											1
-280	0292157770											1
282	0292152260											1
286	0292152320											1
-286A	2292152320											1
310	0292151300											1
320	EN3686050014											1
330	0292158250											1
330A	0292150510											1
-330B	729215825A											1
335	2292150360											1

- ITEM NOT ILLUSTRATED

SAFRAN HELICOPTER ENGINES

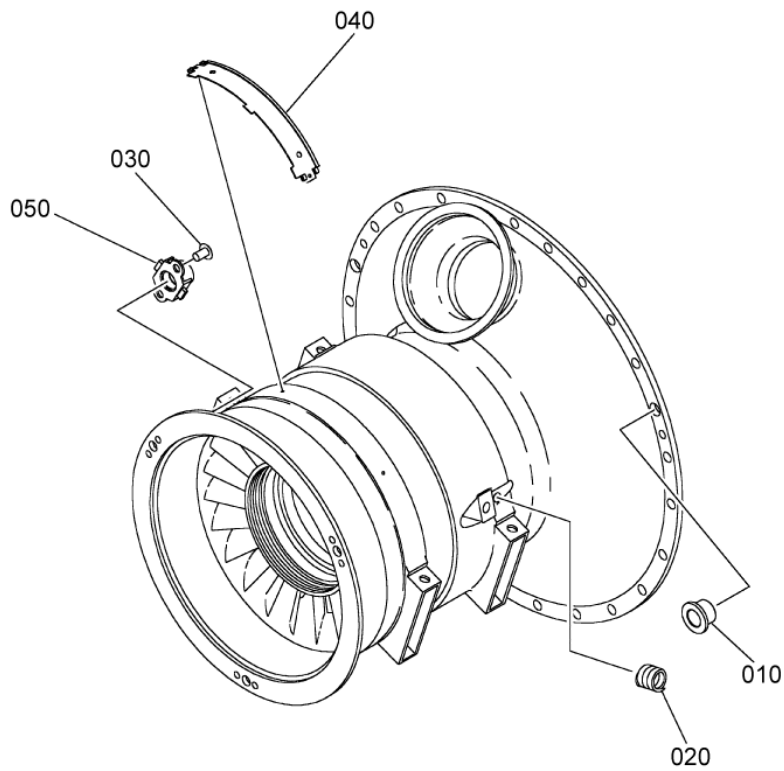
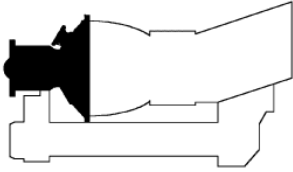
ARRIEL 2 C1

ILLUSTRATED PARTS CATALOG

FIGURE ITEM	PART NUMBER	AIRL. STOCK No.	DESCRIPTION	EFFECT	QTY
			1 2 3 4 5 6 7		
01					
-335A	9994050024		. . WASHER POST TU222 (AE 121365) ALTERNATE ITEM 335		1
340	9994050024		. WASHER PRE TU222 (AE 121365)		1
360	46012A00600		. PACKING,PREFORMED - VF0111 (9794410060)		1
370	9606490202		. BEARING,GEAR,42 TEETH 9606490202 IS THE SAFRAN HE PART NUMBER FOR: VF0771 - S19015-1-05RBA20-30		1
380	0292150210		. WASHER,ADJUSTING		1
390	0292150220		. STOP		1
400	0292157790		. CAGE,REAR		1
402	01329030501		. . THREAD,INSERT - VF1699 (9728030503)		1
430	9609000486		. BEARING,REAR,AXIAL 9609000486 IS THE SAFRAN HE PART NUMBER FOR: VF0771 - SPX30/14 07RH3SA30 PRE TU212 (AE 116733)		1
-430A	BAQ-9737		. BEARING,REAR,AXIAL - VF0771 (9609000752) POST TU212 (AE 116733)		1
450	0292151680		. STOP		1
460	0314160030		. DEFLECTOR		1
470	0314160050		. BUSH,SEALING PRE TU 116A (AE 51083)		1
-470A	0292153390		. BUSH,SEALING POST TU 116A (AE 51083)		1
480	9681505002		. PACKING,PREFORMED		1
490	EN3686050014		. SCREW - V19005 (9836405014)		3
500	0292158340		. CASING,COMPRESSOR		1
-500A	0292158350		. CASING,COMPRESSOR ALTERNATE ITEM 500 REFER TO FIG.02 FOR DETAILS		1

- ITEM NOT ILLUSTRATED

PAGE LEFT BLANK INTENTIONALLY



CASING,COMPRESSOR
Figure 02

SAFRAN HELICOPTER ENGINES

ARRIEL 2 C1

ILLUSTRATED PARTS CATALOG

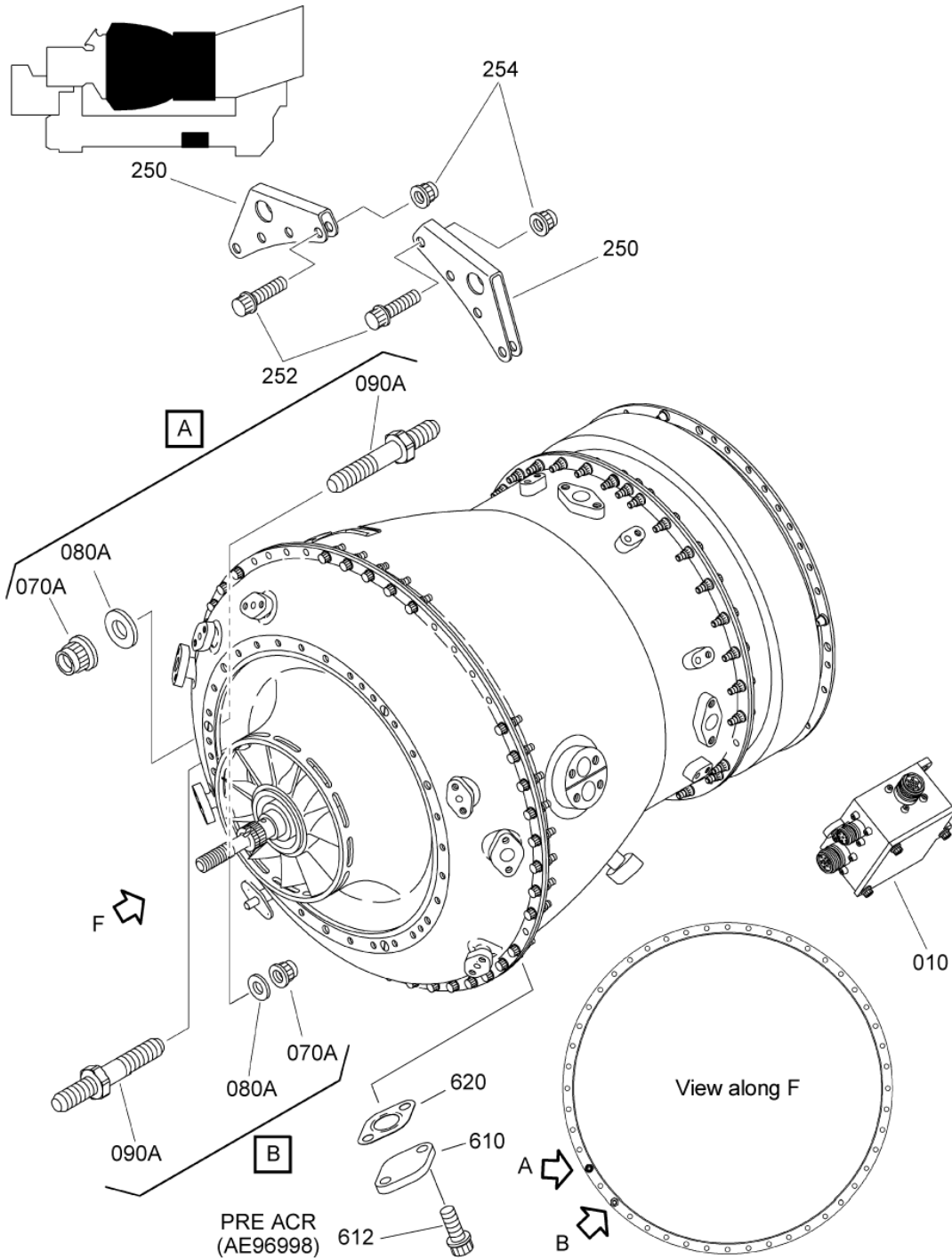
FIGURE ITEM	PART NUMBER	AIRL. STOCK No.	DESCRIPTION	EFFECT	QTY
			1 2 3 4 5 6 7		
02					
-001	0292158340		CASING,COMPRESSOR	a	RF
-001A	0292158350		CASING,COMPRESSOR ALTERNATE ITEM 001 REFER TO FIG. 01 ITEM 500	b	RF
010	0292152460		. BUSH		3
-010A	7292152461		. BUSH POST ACR (AE 87560) SELECTED PART		3
-010B	7292152463		. BUSH POST ACR (AE 87560) SELECTED PART		3
-010C	7292152466		. BUSH POST ACR (AE 87560) SELECTED PART		3
-012	7292152461		. BUSH POST ACR (AE 87560) SELECTED PART		3
-014	7292152463		. BUSH POST ACR (AE 87560) SELECTED PART		3
-016	7292152466		. BUSH POST ACR (AE 87560) SELECTED PART		3
020	EN2944-050075		. THREAD,INSERT - VI9005 (9728050803)		1
030	21215CA2404		. RIVET - VF0111 (9960240421)		6
040	0084004520		. SLIDE		1
050	5SMF5209M		. NUT - VF0224 (9560119880)		3

- ITEM NOT ILLUSTRATED

DETAILED PART LIST

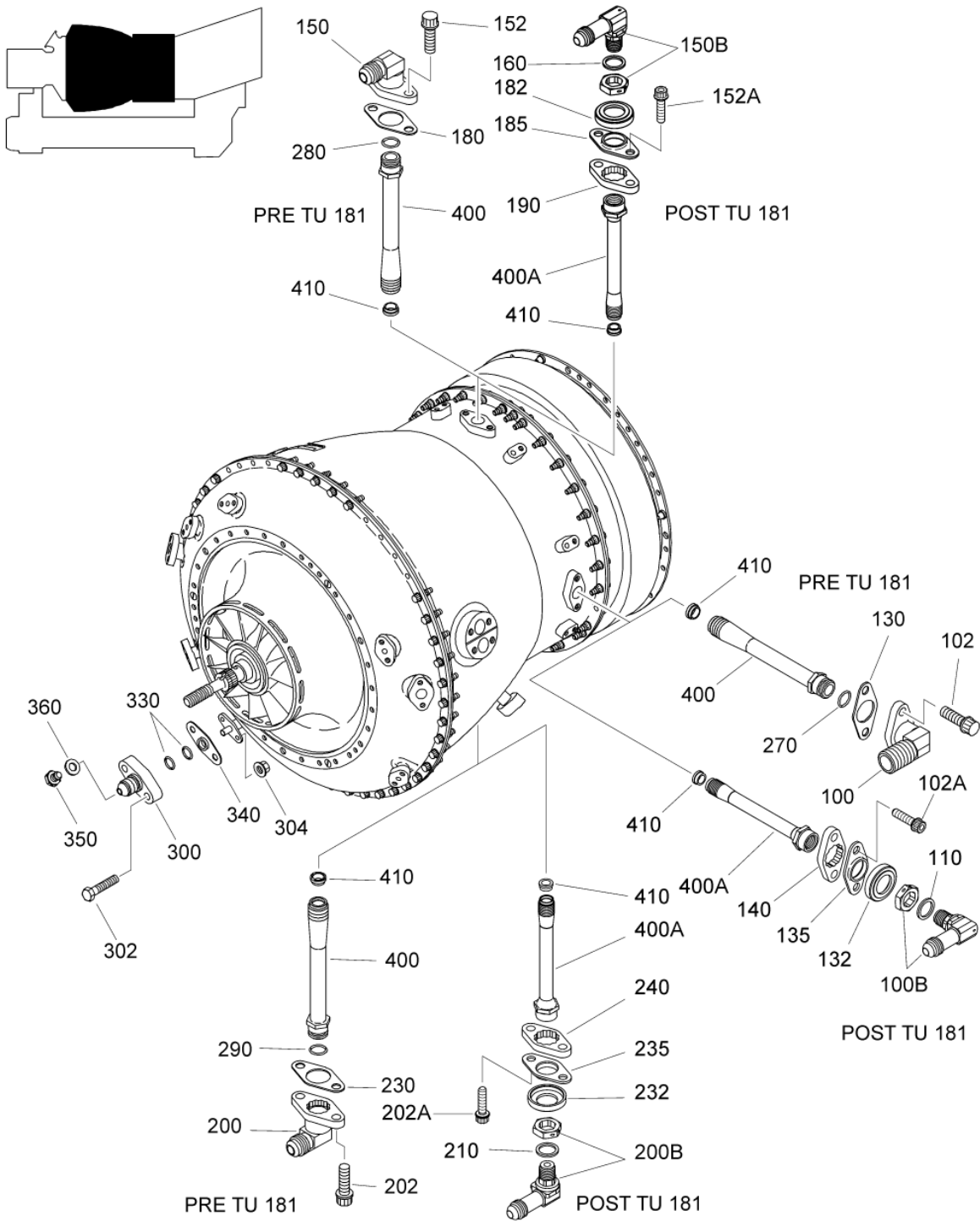
COMBUSTION

72-40-00



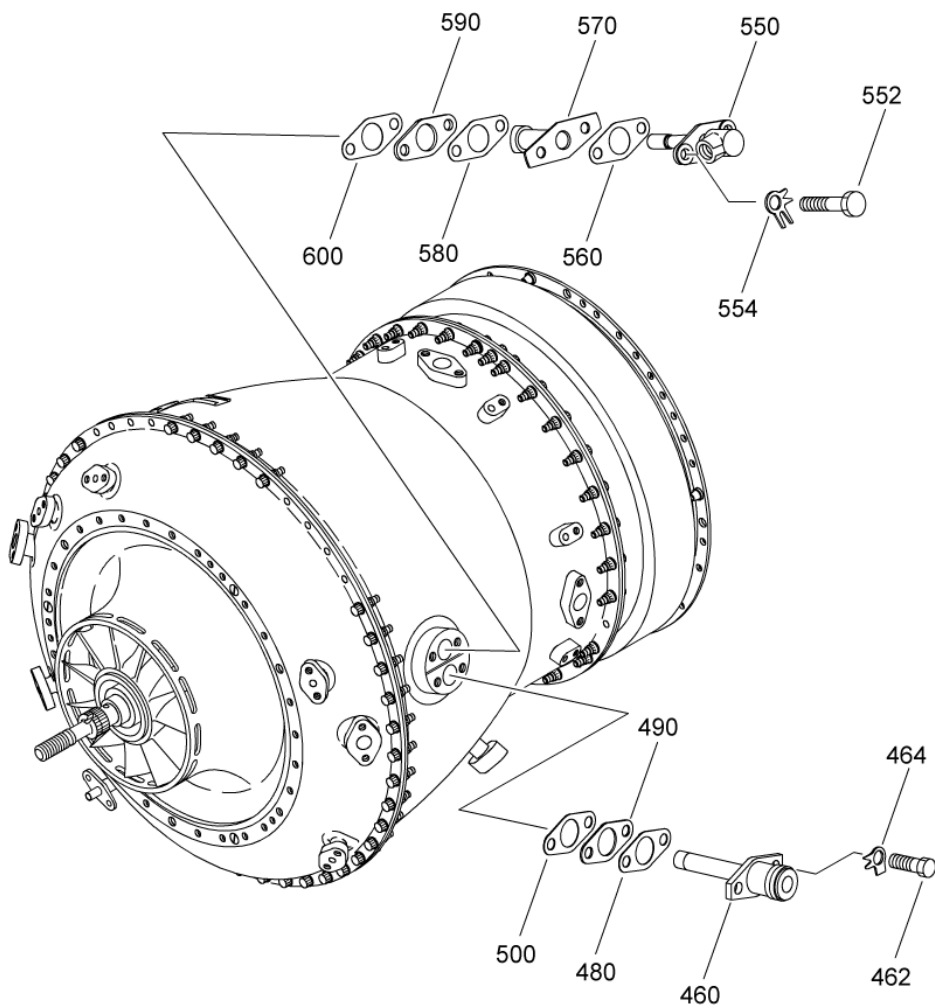
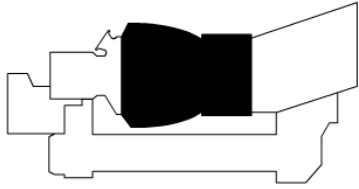
MODULE,GAS GENERATOR
Figure 01 (Sheet 1/3)

PAGE LEFT BLANK INTENTIONALLY



MODULE,GAS GENERATOR
Figure 01 (Sheet 2/3)

PAGE LEFT BLANK INTENTIONALLY



MODULE,GAS GENERATOR
Figure 01 (Sheet 3/3)

SAFRAN HELICOPTER ENGINES

ARRIEL 2 C1

ILLUSTRATED PARTS CATALOG

FIGURE ITEM	PART NUMBER	AIRL. STOCK No.	DESCRIPTION	EFFECT	QTY
			1 2 3 4 5 6 7		
01					
-001	70BM031720		MODULE,GAS GENERATOR REPAIRABLE PRE TU 071A (AE 48914) POST TU 074A (AE 49457) BECOMES ITEM 001C	a	RF
-001A	70BM031750		MODULE,GAS GENERATOR REPAIRABLE POST TU 181 (AE 93952) BECOMES ITEM 001E POST TU 071A (AE 48914) PRE TU 074A (AE 49457)	b	RF
-001B	70BM031740		MODULE,GAS GENERATOR REPAIRABLE POST TU 074A (AE 49457) PRE TU 181 (AE 93952)	c	RF
-001C	70BM031710		MODULE,GAS GENERATOR REPAIRABLE POST TU 074A (AE 49457) RETROFIT ITEM 001	d	RF
-001D	70BM031770		MODULE,GAS GENERATOR REPAIRABLE POST TU 181 (AE 93952)	e	RF
-001E	70BM031790		MODULE,GAS GENERATOR REPAIRABLE POST TU 181 (AE 93952) RETROFIT ITEM 001A REFER TO CHAP. 72-00-00 FIG.01 ITEM 040	f	RF
-005	0292677170		. EQUIPMENT,MODULE 3 NON PROCURABLE PRE TU 181 (AE 93952)		1
-005A	-		. EQUIPMENT,MODULE 3 NON PROCURABLE POST TU 181 (AE 93952)		1
010	0292697200		. . BOX,JUNCTION,T4-5 MATCHING REPAIRABLE PRE TU 033A (AE 46734)		1
-010A	0292697520		. . BOX,JUNCTION,T4-5 MATCHING REPAIRABLE POST TU 033A (AE 46734) PRE ACR (AE 110704)		1
-010B	0292697900		. . BOX,JUNCTION,T4-5 MATCHING REPAIRABLE POST ACR (AE 110704) REFER TO CMM 77-22-01 FOR DETAILS		1
-070	9866205026		. . NUT 9866205026 IS THE SAFRAN HE PART NUMBER FOR: VF0111 - 22526-050 VI9005 - EN2906-050 PRE ACR (AE 65761) POST ACR (AE 45624)		1

- ITEM NOT ILLUSTRATED

SAFRAN HELICOPTER ENGINES

ARRIEL 2 C1

ILLUSTRATED PARTS CATALOG

FIGURE ITEM	PART NUMBER	AIRL. STOCK No.	DESCRIPTION	EFFECT	QTY
			1 2 3 4 5 6 7		
01					
070A	9866205026		. . NUT 9866205026 IS THE SAFRAN HE PART NUMBER FOR: VF0111 - 22526-050 VI9005 - EN2906-050 POST ACR (AE 65761)		2
-080	23112CF050		. . WASHER - VF0111 (9975050024) POST ACR (AE 45624 AVT 1) PRE ACR (AE 65761)		1
080A	23112CF050		. . WASHER - VF0111 (9975050024) POST ACR (AE 65761)		2
-090	0000022670		. . SCREW, TAIL PRE ACR (AE 65761) POST ACR (AE 45624)		1
090A	0000022670		. . SCREW, TAIL POST ACR (AE 65761)		2
100	0292720480		. . UNION, FLANGE PRE ACR (AE 45448)		1
-100A	0292720690		. . UNION, FLANGE PRE TU 181 (AE 93952) POST ACR (AE 45448)		1
100B	50499002		. . SWIVEL UNION - VFA3W9 (9560177090) POST TU 181 (AE 93952)		1
			ATTACHING PARTS		
102	EN3686050016		. . SCREW - VI9005 (9836405016) PRE TU 181 (AE 93952)		2
102A	EN3686050018		. . SCREW - VI9005 (9836405018) POST TU 181 (AE 93952) ***		2
110	30004937		. . . COPPER GASKET - VFA3W9 (9560177240) POST ACR (AE 106911) PART OF ITEM 100B		1
130	3-12ZA00-921		. . GASKET - VF1253 (9560166810) PRE TU 181 (AE 93952)		1
132	0292510100		. . SHOULDERED WASHER POST TU 181 (AE 93952)		1
-132A	0292510120		. . SHOULDERED WASHER POST TU 181 (AE 93952) ALTERNATE ITEM 132		1
135	0292510080		. . COVER POST TU 181 (AE 93952)		1
140	0292510040		. . ANTI-TORQUE RING POST TU 181 (AE 93952)		1
150	0292720470		. . UNION, FLANGE PRE ACR (AE 45448)		1
-150A	0292720670		. . UNION, FLANGE PRE TU 181 (AE 93952) POST ACR (AE 45448)		1
150B	50499002		. . SWIVEL UNION - VFA3W9 (9560177090) POST TU 181 (AE 93952)		1

- ITEM NOT ILLUSTRATED

SAFRAN HELICOPTER ENGINES

ARRIEL 2 C1

ILLUSTRATED PARTS CATALOG

FIGURE ITEM	PART NUMBER	AIRL. STOCK No.	DESCRIPTION	EFFECT	QTY
			1 2 3 4 5 6 7		
01					
152	EN3686050016		ATTACHING PARTS . . SCREW - V19005 (9836405016) PRE TU 181 (AE 93952)		2
152A	EN3686050018		. . SCREW - V19005 (9836405018) POST TU 181 (AE 93952) ***		2
160	30004937		. . . COPPER GASKET - VFA3W9 (9560177240) POST ACR (AE 106911) PART OF ITEM 150B		1
180	3-12ZA00-921		. . GASKET - VF1253 (9560166810) PRE TU 181 (AE 93952)		1
182	0292510100		. . SHOULDERED WASHER POST TU 181 (AE 93952)		1
-182A	0292510120		. . SHOULDERED WASHER POST TU 181 (AE 93952) ALTERNATE ITEM 182		1
185	0292510080		. . COVER POST TU 181 (AE 93952)		1
190	0292510040		. . ANTI-TORQUE RING POST TU 181 (AE 93952)		1
200	0292720470		. . UNION,FLANGE PRE ACR (AE 45448)		1
-200A	0292720670		. . UNION,FLANGE PRE TU 181 (AE 93952) POST ACR (AE 45448)		1
200B	50499002		. . SWIVEL UNION - VFA3W9 (9560177090) POST TU 181 (AE 93952)		1
202	EN3686050016		ATTACHING PARTS . . SCREW - V19005 (9836405016) PRE TU 181 (AE 93952)		2
202A	EN3686050018		. . SCREW - V19005 (9836405018) POST TU 181 (AE 93952) ***		2
210	30004937		. . . COPPER GASKET - VFA3W9 (9560177240) POST ACR (AE 106911) PART OF ITEM 200B		1
230	3-12ZA00-921		. . GASKET - VF1253 (9560166810) PRE TU 181 (AE 93952)		1
232	0292510100		. . SHOULDERED WASHER POST TU 181 (AE 93952)		1
-232A	0292510120		. . SHOULDERED WASHER POST TU 181 (AE 93952) ALTERNATE ITEM 232		1
235	0292510080		. . COVER POST TU 181 (AE 93952)		1
240	0292510040		. . ANTI-TORQUE RING POST TU 181 (AE 93952)		1
250	0301000520		. . RING,HOISTING		2

- ITEM NOT ILLUSTRATED

SAFRAN HELICOPTER ENGINES

ARRIEL 2 C1

ILLUSTRATED PARTS CATALOG

FIGURE ITEM	PART NUMBER	AIRL. STOCK No.	DESCRIPTION	EFFECT	QTY
			1 2 3 4 5 6 7		
01			ATTACHING PARTS		
252	EN3686050018		. SCREW - VI9005 (9836405018)		4
254	9866205026		. NUT 9866205026 IS THE SAFRAN HE PART NUMBER FOR: VF0111 - 22526-050 VI9005 - EN2906-050 ***		4
270	9560165990		. PACKING,PREFORMED 9560165990 IS THE SAFRAN HE PART NUMBER FOR: VF0384 - OR10X2-70FFKM151400 NON PROCURABLE PRE TU 170 (AE 87717)		1
-270A	49082243		. PACKING,PREFORMED - VF0384 (9560176660) POST TU 170 (AE 87717) PRE TU 181 (AE 93952)		1
280	9560165990		. PACKING,PREFORMED 9560165990 IS THE SAFRAN HE PART NUMBER FOR: VF0384 - OR10X2-70FFKM151400 NON PROCURABLE PRE TU 170 (AE 87717)		1
-280A	49082243		. PACKING,PREFORMED - VF0384 (9560176660) PRE TU 181 (AE 93952) POST TU 170 (AE 87717)		1
290	9560165990		. PACKING,PREFORMED 9560165990 IS THE SAFRAN HE PART NUMBER FOR: VF0384 - OR10X2-70FFKM151400 NON PROCURABLE PRE TU 170 (AE 87717)		1
-290A	49082243		. PACKING,PREFORMED - VF0384 (9560176660) POST TU 170 (AE 87717) PRE TU 181 (AE 93952)		1
300	0301030080		. UNION,JET		1
302	22125BC040018L		ATTACHING PARTS . SCREW - VF0111 (9801041814)		2
304	22541N040		. NUT - VF0111 (9867100400) ***		2
330	9681900573		. PACKING,PREFORMED		2
340	0301020700		. SEAL,SPECIAL		1
350	0000024460		. SCREW		1
360	9752004044		. SEAL		1
400	0292510340		. DUCT PRE TU 181 (AE 93952)		3
400A	0292510030		. DUCT POST TU 181 (AE 93952)		3
410	0292510200		. SEAL		3
-410A	0292510460		. SEAL POST ACR (AE 69451) ALTERNATE ITEM 410		3

- ITEM NOT ILLUSTRATED

SAFRAN HELICOPTER ENGINES

ARRIEL 2 C1

ILLUSTRATED PARTS CATALOG

FIGURE ITEM	PART NUMBER	AIRL. STOCK No.	DESCRIPTION	EFFECT	QTY
			1 2 3 4 5 6 7		
01					
-450	0292377800		. DEVICE,IGNITION NON PROCURABLE PRE ACR (AE 104975)		2
-450A	-		. DEVICE,IGNITION NON PROCURABLE POST ACR (AE 104975)		1
460	SC2036		. . IGNITER - VF6840 (9550168760) NON REPAIRABLE NON PROCURABLE PRE ACR (AE 50760)		2
-460A	CH34595		. . IGNITER - V11583 (9550168770) NON REPAIRABLE		2
-460B	SC3536		. . IGNITER - VF5496 (9550353600) NON REPAIRABLE POST ACR (AE 124891) ALTERNATE ITEM 460A REFER TO ACMMB FOR DETAILS		2
			ATTACHING PARTS		
462	22145CM050012E		. . SCREW - VF0111 (9806051225)		4
464	23350CA050		. . LOCK - VF0111 (9998050021) ***		4
480	0000230850		. . SEAL - THICKNESS = 0.6 MM		AR
-482	0000230870		. . SEAL - THICKNESS = 0.3 MM		AR
490	0000450490		. . SPACER - THICKNESS = 1 MM		AR
-492	0000450500		. . SPACER - THICKNESS = 2 MM POST ACR (AE 71514)		AR
500	0000230850		. . SEAL - THICKNESS = 0.6 MM		AR
-502	0000230870		. . SEAL - THICKNESS = 0.3 MM		AR
550	0283317500		. INJECTOR NON REPAIRABLE		2
			ATTACHING PARTS		
552	22145CM050014E		. . SCREW - VF0111 (9806051425)		4
554	23350CA050		. . LOCK - VF0111 (9998050021) ***		4
560	0000230850		. . SEAL - THICKNESS = 0.6 MM		2
-562	0000230870		. . SEAL - THICKNESS = 0.3 MM POST ACR (AE 104975)		2
570	0292300670		. BUSH		2
580	0000230850		. . SEAL - THICKNESS = 0.6 MM		AR
-582	0000230870		. . SEAL - THICKNESS = 0.3 MM		AR
590	0000450490		. . SPACER - THICKNESS = 1 MM		AR
-592	0000450500		. . SPACER - THICKNESS = 2 MM POST ACR (AE 71514)		AR
600	0000230850		. . SEAL - THICKNESS = 0.6 MM		AR
-602	0000230870		. . SEAL - THICKNESS = 0.3 MM		AR
610	9945300120		. PLUG POST ACR (AE 101772) PRE ACR (AE 96998)		1

- ITEM NOT ILLUSTRATED

SAFRAN HELICOPTER ENGINES

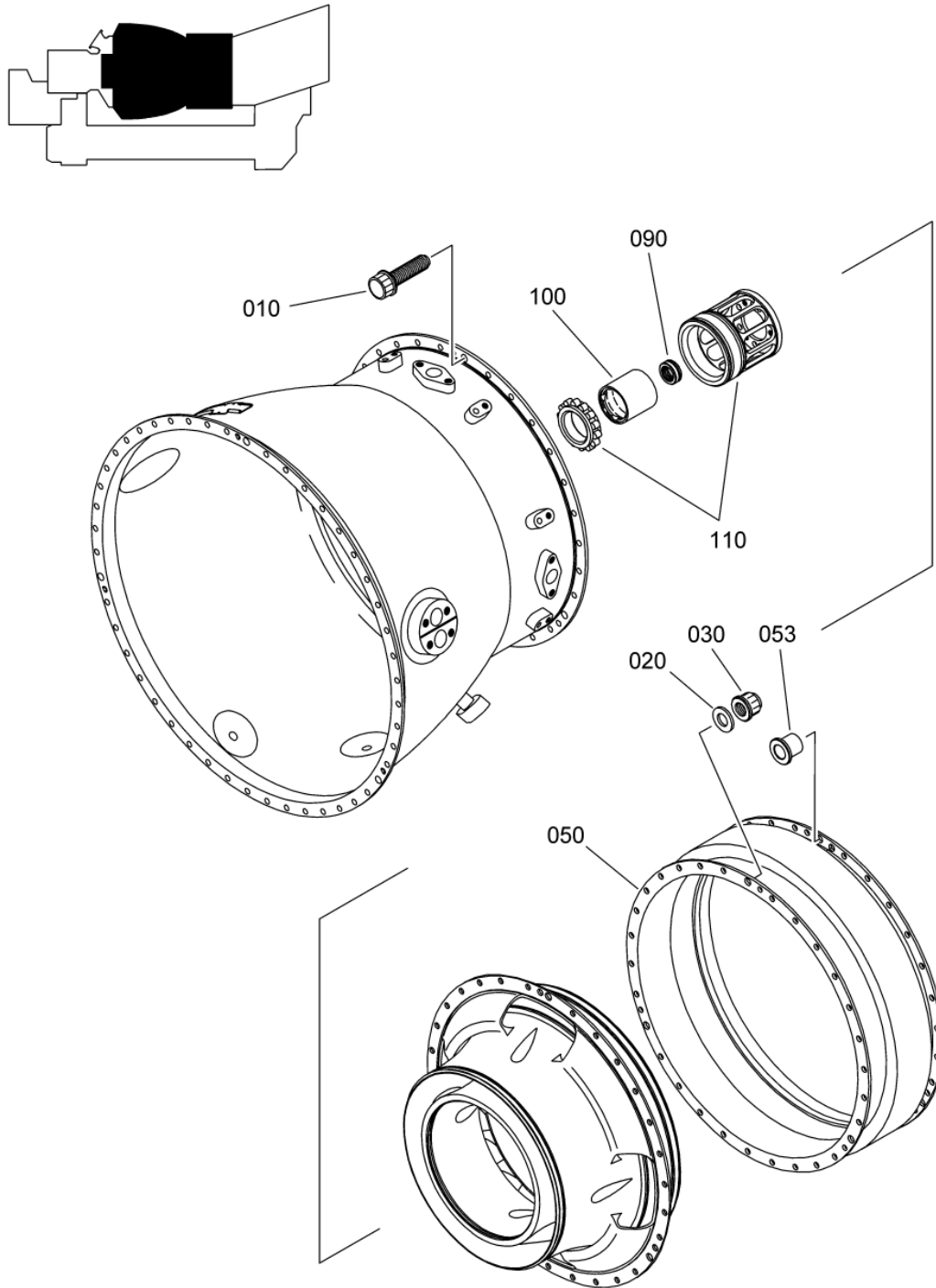
ARRIEL 2 C1

ILLUSTRATED PARTS CATALOG

FIGURE ITEM	PART NUMBER	AIRL. STOCK No.	DESCRIPTION	EFFECT	QTY
			1 2 3 4 5 6 7		
01					
612	EN3686050014		ATTACHING PARTS . . SCREW - VI9005 (9836405014) POST ACR (AE 101772) PRE ACR (AE 96998) ***		2
620	9945000120		. . GASKET,CORRUJOINT POST ACR (AE 101772) PRE ACR (AE 96998)		1
-700	-		. MODULE,GAS GENERATOR,UNDRESSED NON PROCURABLE POST TU 074A BECOMES ITEM 700C PRE TU 071A (AE 48914)	a	1
-700A	-		. MODULE,GAS GENERATOR,UNDRESSED NON PROCURABLE POST TU 071A (AE 48914) POST TU 181 (AE 93952) BECOMES ITEM 700D PRE TU 074A (AE 49457)	b	1
-700B	-		. MODULE,GAS GENERATOR,UNDRESSED NON PROCURABLE POST TU 074A (AE 49457)	c	1
-700C	-		. MODULE,GAS GENERATOR,UNDRESSED NON PROCURABLE PRE TU 181 (AE 93952) POST TU 074A (AE 49457)	d	1
-700D	-		RETROFIT ITEM 700 . MODULE,GAS GENERATOR,UNDRESSED NON PROCURABLE POST TU 181 (AE 93952) RETROFIT ITEM 700A POST TU 181 (AE 93952) REFER TO FIG.02 FOR DETAILS	e, f	1

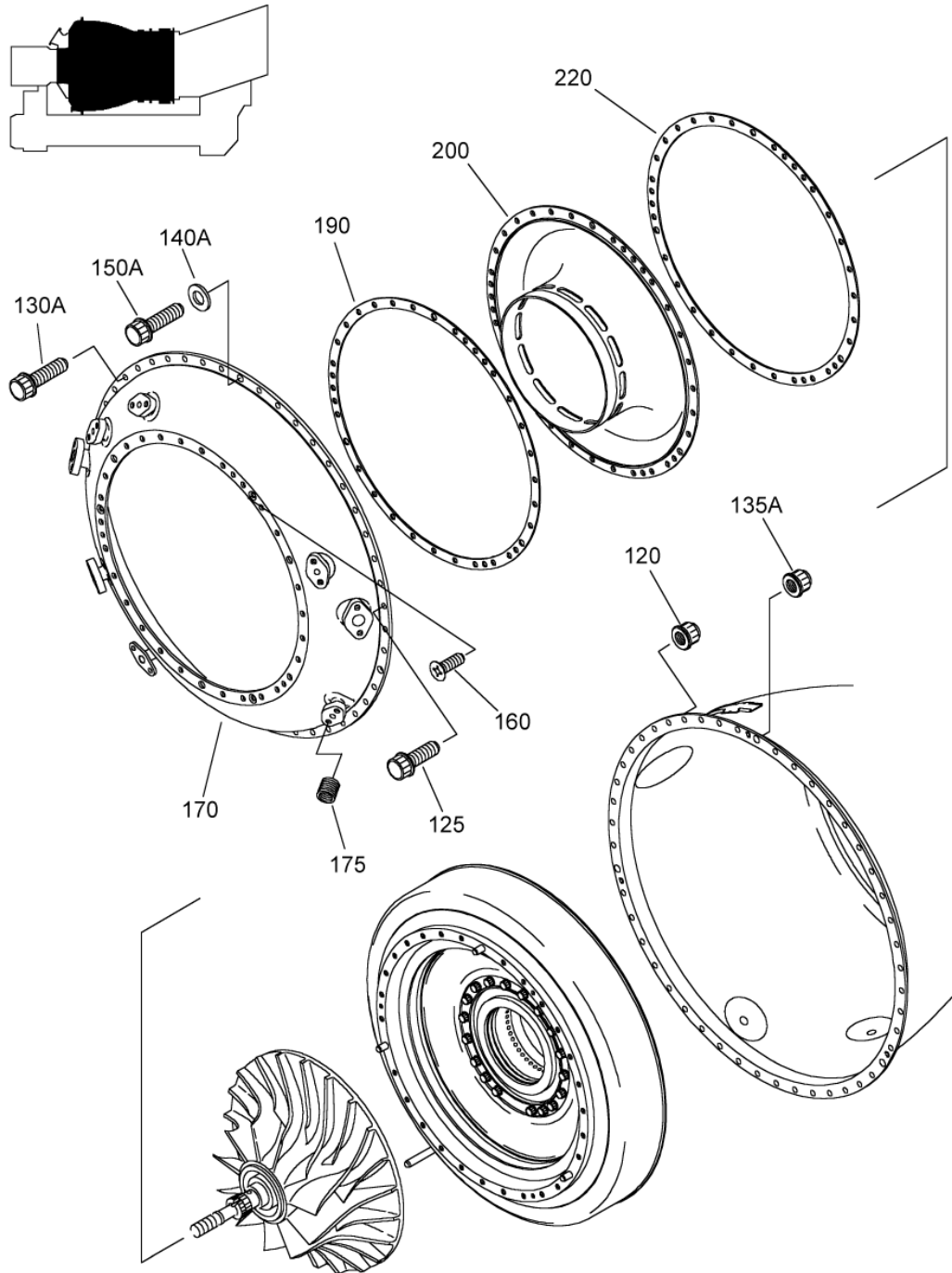
- ITEM NOT ILLUSTRATED

PAGE LEFT BLANK INTENTIONALLY



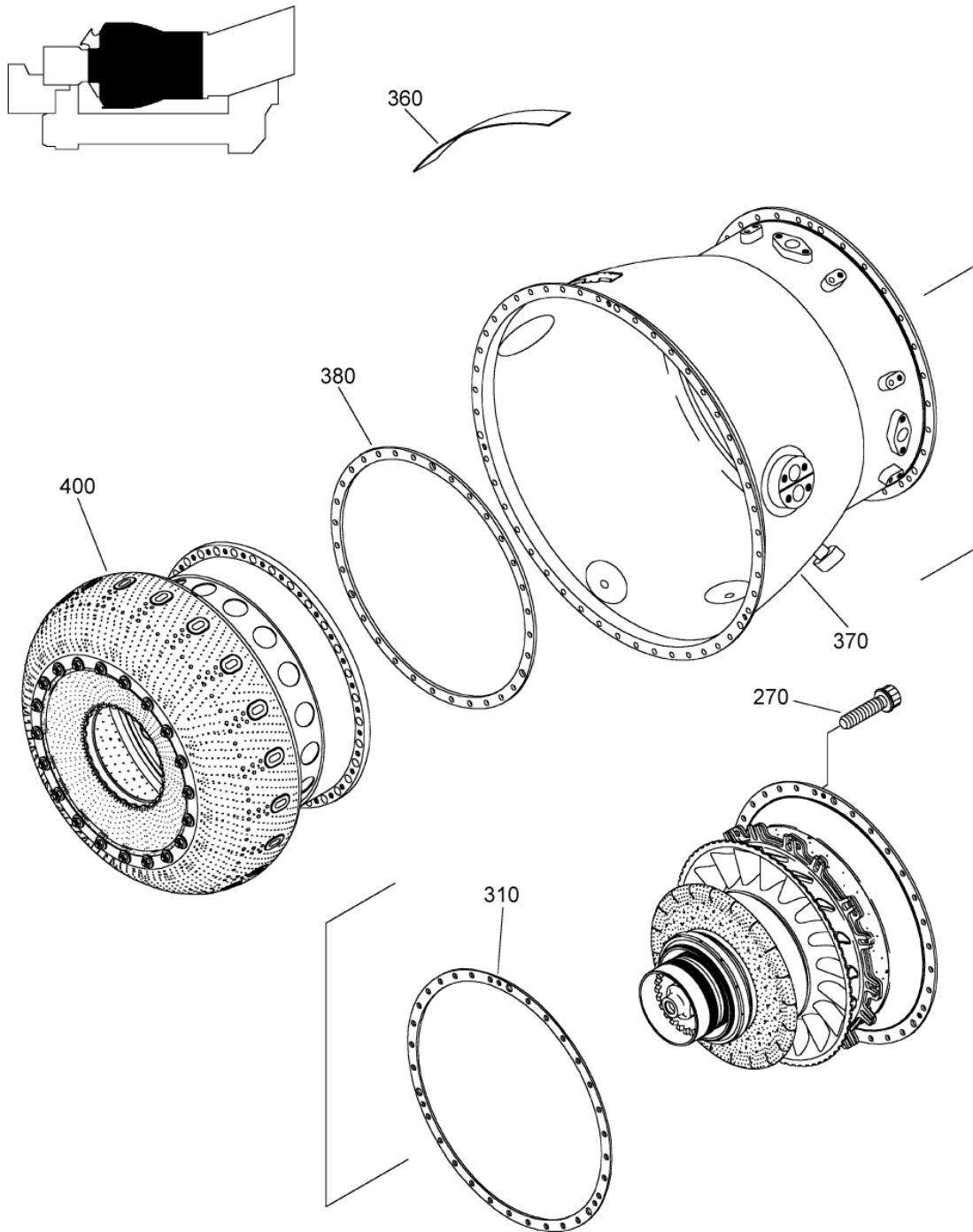
MODULE, GAS GENERATOR, UNDRRESSED
Figure 02 (Sheet 1/3)

PAGE LEFT BLANK INTENTIONALLY



MODULE, GAS GENERATOR, UNDRRESSED
Figure 02 (Sheet 2/3)

PAGE LEFT BLANK INTENTIONALLY



MODULE, GAS GENERATOR, UNDRESSED
Figure 02 (Sheet 3/3)

SAFRAN HELICOPTER ENGINES

ARRIEL 2 C1

ILLUSTRATED PARTS CATALOG

FIGURE ITEM	PART NUMBER	AIRL. STOCK No.	DESCRIPTION	EFFECT	QTY
			1 2 3 4 5 6 7		
02					
-001	-		MODULE,GAS GENERATOR,UNDRESSED NON PROCURABLE POST TU 074A BECOMES ITEM 001C PRE TU 071A (AE 48914)	a	RF
-001A	-		MODULE,GAS GENERATOR,UNDRESSED NON PROCURABLE POST TU 071A (AE 48914) POST TU 181 (AE 93952) BECOMES ITEM 001D PRE TU 074A (AE 49457)	b	RF
-001B	-		MODULE,GAS GENERATOR,UNDRESSED NON PROCURABLE POST TU 074A (AE 49457)	c	RF
-001C	-		MODULE,GAS GENERATOR,UNDRESSED NON PROCURABLE PRE TU 181 (AE 93952) POST TU 074A (AE 49457) RETROFIT ITEM 001	d	RF
-001D	-		MODULE,GAS GENERATOR,UNDRESSED NON PROCURABLE POST TU 181 (AE 93952) RETROFIT ITEM 001A POST TU 181 (AE 93952) REFER TO FIG. 01 ITEM 700	e	RF
010	EN3686050018		. SCREW - VI9005 (9836405018)		28
020	23112CF050		. WASHER - VF0111 (9975050024)		3
030	9866205026		. NUT 9866205026 IS THE SAFRAN HE PART NUMBER FOR: VF0111 - 22526-050 VI9005 - EN2906-050		28
050	0292817220		. SHIELDING PRE TU 022 (AE 45664)		1
-050A	0292817390		. SHIELDING POST TU 022 (AE 45664)		1
053	0292460060		. . BUSH PART OF ITEM 050		3
-053A	0292810620		. . BUSH PART OF ITEM 050A		3
-055	EN2910-050		. . ANCHOR NUT - VI9005 (9867600050) PART OF ITEM 050		3
-070	-		. REAR BEARING,ASSY NON PROCURABLE REFER TO CHAP.72-43-10 FOR DETAILS		1
090	EN3295-014		. NUT - VI9005 (9880300014) PRE ACR (AE 44966 AVT 2)		1
-090A	9880400014		. NUT POST ACR (AE 44966 AVT 2)		1
100	0292260160		. SUMP,OIL		1
110	9609000493		. BEARING 9609000493 IS THE SAFRAN HE PART NUMBER FOR: VF0771 - CSNX28/4-05RH6SA20/30		1

- ITEM NOT ILLUSTRATED

SAFRAN HELICOPTER ENGINES

ARRIEL 2 C1

ILLUSTRATED PARTS CATALOG

FIGURE ITEM	PART NUMBER	AIRL. STOCK No.	DESCRIPTION	EFFECT	QTY
			1 2 3 4 5 6 7		
02					
120	9866205026		. NUT 9866205026 IS THE SAFRAN HE PART NUMBER FOR: VF0111 - 22526-050 VI9005 - EN2906-050		36
125	EN3686050016		. SCREW - VI9005 (9836405016) POST ACR (AE 46762)		2
130	EN3686050018		. SCREW - VI9005 (9836405018) PRE ACR (AE 46762)		36
-130A	EN3686050018		. SCREW - VI9005 (9836405018) POST ACR (AE 46762)		34
-135	9866205026		. NUT 9866205026 IS THE SAFRAN HE PART NUMBER FOR: VF0111 - 22526-050 VI9005 - EN2906-050 PRE ACR (AE 45624 AVT 1)		3
135A	9866205026		. NUT 9866205026 IS THE SAFRAN HE PART NUMBER FOR: VF0111 - 22526-050 VI9005 - EN2906-050 POST ACR (AE 45624 AVT 1)		2
-140	23112CF050		. WASHER - VF0111 (9975050024) PRE ACR (AE 45624 AVT 1)		3
140A	23112CF050		. WASHER - VF0111 (9975050024) POST ACR (AE 45624 AVT 1)		2
-150	EN3686050018		. SCREW - VI9005 (9836405018) PRE ACR (AE 45624 AVT 1)		3
150A	EN3686050018		. SCREW - VI9005 (9836405018) POST ACR (AE 45624 AVT 1)		2
160	0292201870		. SCREW		3
170	0292158290		. CASING,INTERMEDIATE		1
175	EN3542-050063		. . THREAD,INSERT - VI9005 (9729105082)		14
190	0292990700		. WASHER,ADJUSTING		1
200	0292153210		. COVER,COMPRESSOR PRE TU 074A (AE 49457)		1
-200A	0292152880		. COVER,COMPRESSOR POST TU 074A (AE 49457)		1
220	0292202080		. WASHER,ADJUSTING		1
-250	-		. DIFFUSER,ASSY NON PROCURABLE REFER TO CHAP.72-43-20 FOR DETAILS		1
270	EN3686050020		. SCREW - VI9005 (9836405020) PRE ACR (AE 95478)		32
-270A	EN3686050026		. SCREW - VI9005 (9836405026) POST ACR (AE 95478)		32
-300	-		. HP NGV-ROTATING ASSY NON PROCURABLE REFER TO CHAP.72-43-30 FOR DETAILS		1
310	0292440030		. WASHER,ADJUSTING		1
360	0084004550		. PLATE,IDENTIFICATION		1

- ITEM NOT ILLUSTRATED

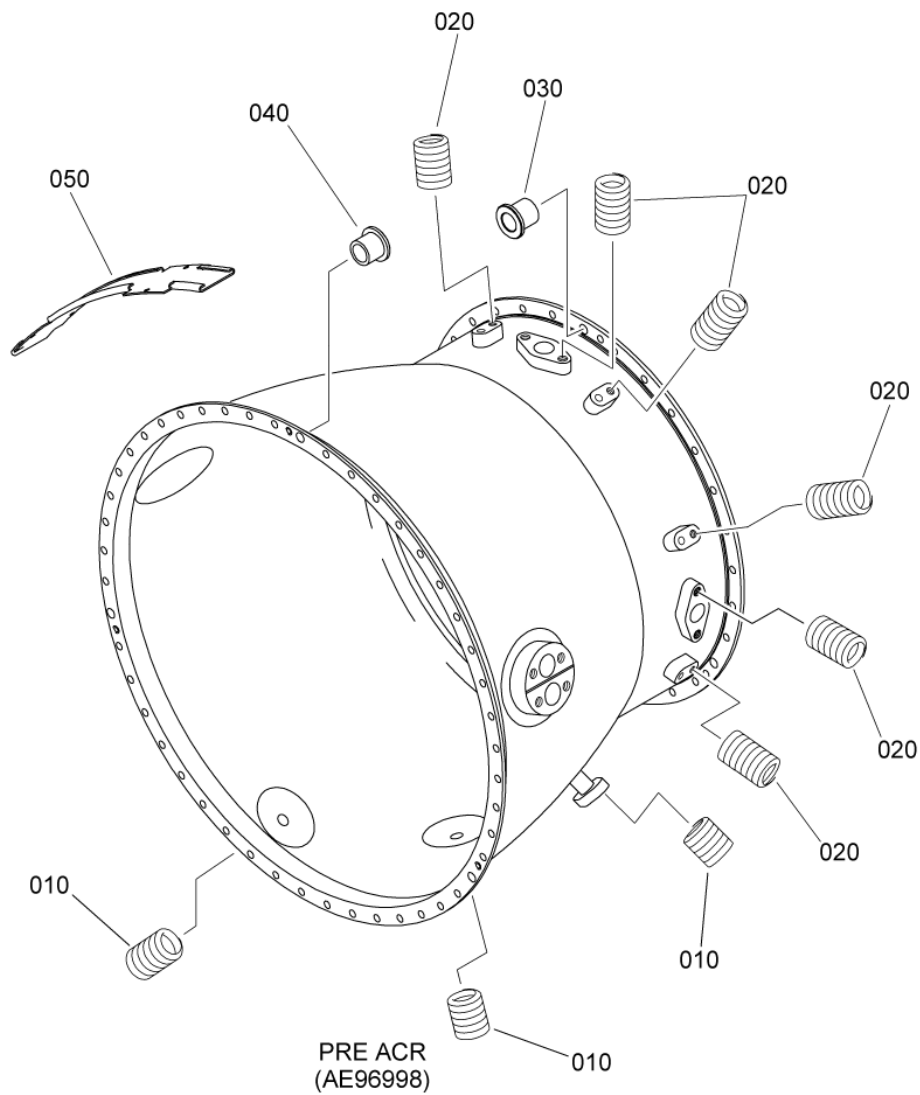
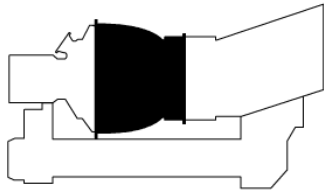
SAFRAN HELICOPTER ENGINES

ARRIEL 2 C1

ILLUSTRATED PARTS CATALOG

FIGURE ITEM	PART NUMBER	AIRL. STOCK No.	DESCRIPTION	EFFECT	QTY
			1 2 3 4 5 6 7		
02					
370	0292467070		. CASING,TURBINE POST TU 071A BECOMES ITEM 370B	a, d	1
-370A	0292467060		. CASING,TURBINE POST TU 071A BECOMES ITEM 370C	a, d	1
-370B	0292467080		. CASING,TURBINE POST TU 071A (AE 48914) RETROFIT ITEM 370 PRE ACR (AE 96998)	b, c, e	1
-370C	0292467090		. CASING,TURBINE POST TU 071A (AE 48914) RETROFIT ITEM 370A	b, c, e	1
-370D	0292460010		. CASING,TURBINE POST ACR (AE 96998) REFER TO FIG.03 FOR DETAILS	b, c, e	1
380	0292440040		. WASHER,ADJUSTING		1
400	0292377310		. OUTER PART,COMB. CHAMBER PRE TU 051 (AE 45521) POST TU 162 (AE 67393) BECOMES ITEM 400H POST TU 103A (AE 50907) BECOMES ITEM 400E		1
-400A	0292377880		. OUTER PART,COMB. CHAMBER POST TU 051 (AE 45521) PRE TU 162 (AE 67393) PRE TU 103A (AE 50907)		1
-400B	0292377960		. OUTER PART,COMB. CHAMBER PRE TU 162 (AE 67393) POST TU 103A (AE 50907) ALTERNATE ITEM 400A		1
-400C	0292378020		. OUTER PART,COMB. CHAMBER PRE TU 162 (AE 67393) POST TU 127A (AE 51250) ALTERNATE ITEM 400A		1
-400D	0292378030		. OUTER PART,COMB. CHAMBER POST TU 127A (AE 51250) PRE TU 162 (AE 67393) ALTERNATE ITEM 400B		1
-400E	0292370370		. OUTER PART,COMB. CHAMBER POST TU 162 (AE 67393) BECOMES ITEM 400H POST TU 103A (AE 50907) RETROFIT ITEM 400		1
-400F	0292370390		. OUTER PART,COMB. CHAMBER POST TU 162 (AE 67393)		1
-400G	0292370400		. OUTER PART,COMB. CHAMBER POST TU 162 (AE 67393)		1
-400H	0292370410		. OUTER PART,COMB. CHAMBER POST TU 162 (AE 67393) RETROFIT ITEMS 400 400E		1
-400J	0292370460		. OUTER PART,COMB. CHAMBER POST ACR (AE 95168) ALTERNATE ITEM 400F REFER TO CHAP.72-43-40 FOR DETAILS		1

- ITEM NOT ILLUSTRATED



CASING, TURBINE
Figure 03

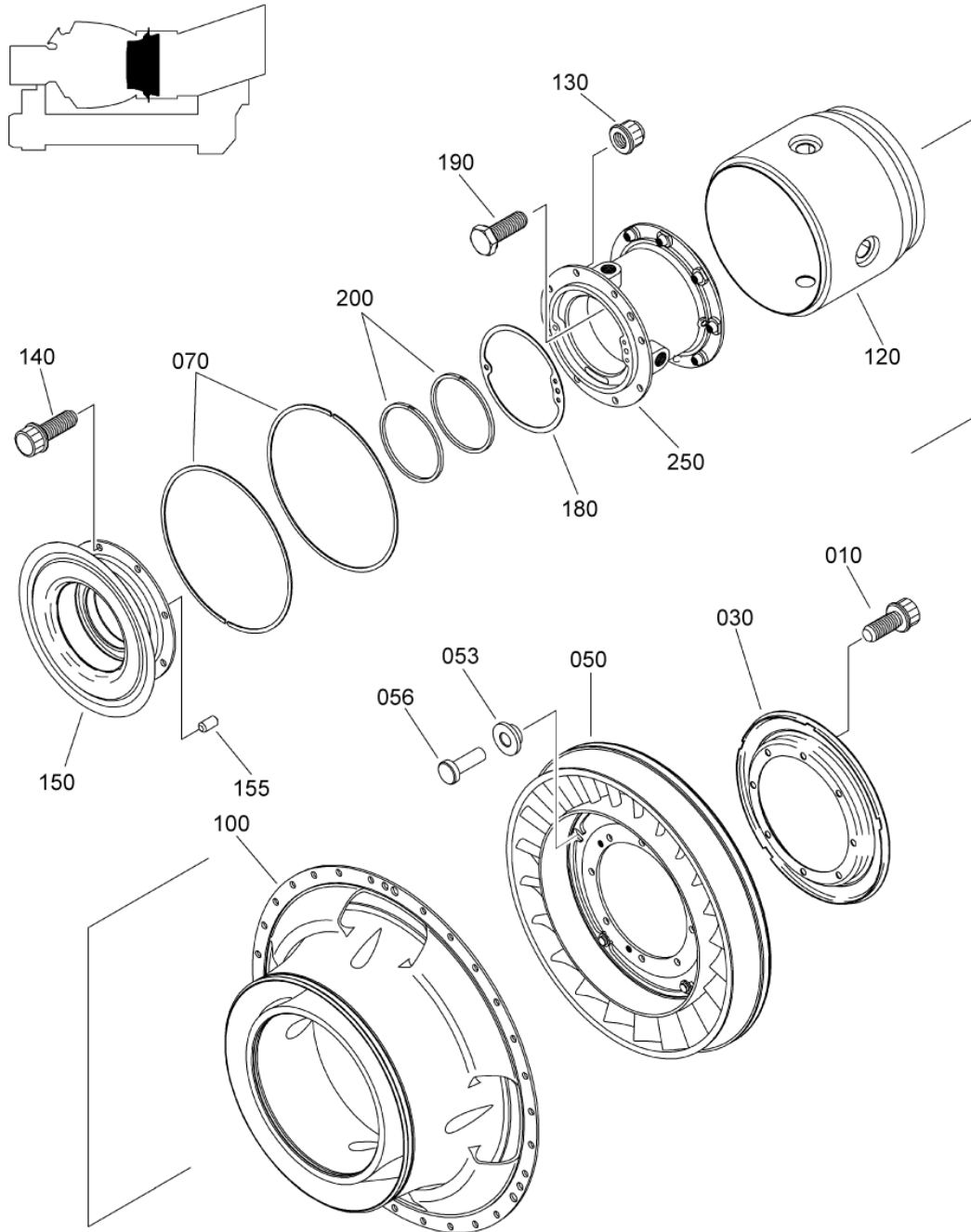
SAFRAN HELICOPTER ENGINES

ARRIEL 2 C1

ILLUSTRATED PARTS CATALOG

FIGURE ITEM	PART NUMBER	AIRL. STOCK No.	DESCRIPTION	EFFECT	QTY
			1 2 3 4 5 6 7		
03					
-001	0292467070		CASING,TURBINE POST TU 071A BECOMES ITEM 001B	a	RF
-001A	0292467060		CASING,TURBINE POST TU 071A BECOMES ITEM 001C	b	RF
-001B	0292467080		CASING,TURBINE POST TU 071A (AE 48914) RETROFIT ITEM 001 PRE ACR (AE 96998)	c	RF
-001C	0292467090		CASING,TURBINE POST TU 071A (AE 48914) RETROFIT ITEM 001A	d	RF
-001D	0292460010		CASING,TURBINE POST ACR (AE 96998) REFER TO FIG. 02 ITEM 370	e	RF
010	EN3542-050063		. THREAD,INSERT - VI9005 (9729105082) PRE ACR (AE 96998)	a, b, c, d	6
-010A	EN3542-050063		. THREAD,INSERT - VI9005 (9729105082) POST ACR (AE 96998)	e	4
020	EN3542-050075		. THREAD,INSERT - VI9005 (9729105083)		14
030	0292460060		. BUSH		3
040	0292450020		. BUSH		3
050	0084004510		. SLIDE		1

- ITEM NOT ILLUSTRATED



REAR BEARING ASSY,DRESSED
Figure 01

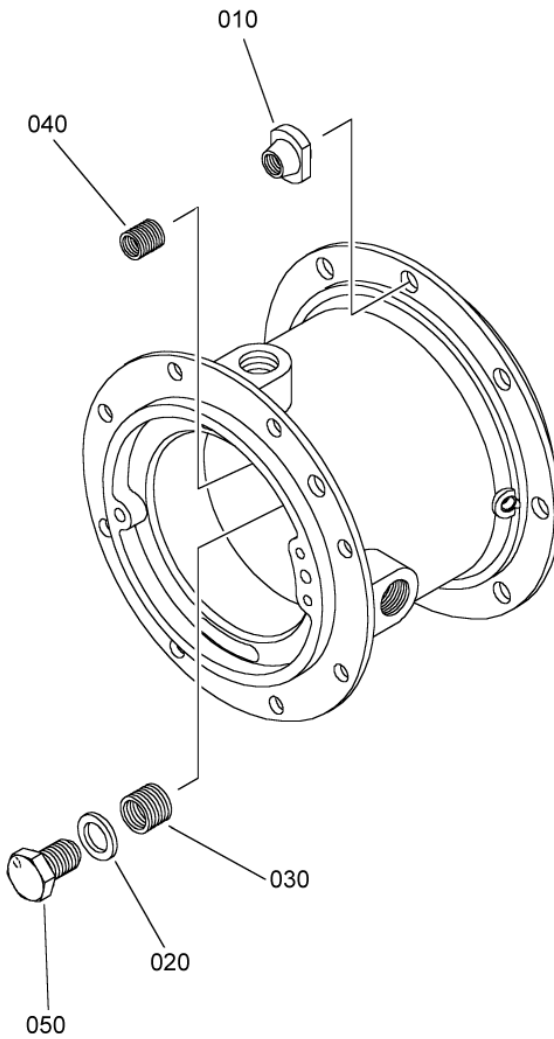
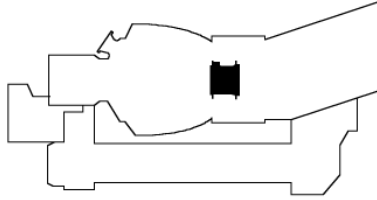
SAFRAN HELICOPTER ENGINES

ARRIEL 2 C1

ILLUSTRATED PARTS CATALOG

FIGURE ITEM	PART NUMBER	AIRL. STOCK No.	DESCRIPTION	EFFECT	QTY
			1 2 3 4 5 6 7		
01					
-001	-		REAR BEARING ASSY,DRESSED NON PROCURABLE REFER TO CHAP. 72-43-00 FIG.02 ITEM 070		RF
010	EN3686050020		. SCREW - VI9005 (9836405020)		8
030	0292517060		. DEFLECTOR		1
050	0292517150		. NOZZLE GUIDE VANE,POWER TURB.		1
053	2292510120		. . SLEEVE		5
056	0000110170		. . RIVET		5
070	A17761-126-2		. SEGMENT,SEALING - VK1209 (9560166610)		2
100	0292517160		. SUPPORT,REAR BEARING PRE ACR (AE 45026 AVT 1)		1
-100A	0292517170		. SUPPORT,REAR BEARING POST ACR (AE 45026 AVT 1)		1
120	0292517030		. SHROUD,HEAT INSULATION		1
130	9866205026		. NUT 9866205026 IS THE SAFRAN HELICOPTER ENGINES PART NUMBER FOR: VF0111 - 22526-050 VI9005 - EN2906-050		8
140	EN3686050014		. SCREW - VI9005 (9836405014)		8
150	0292517140		. FLANGE,ASSY		1
155	9757030600		. . PIN,CENTERING		2
180	0292510130		. SEAL,RING		1
190	EN3613-050012		. SCREW - VI9005 (9836505012)		6
200	9560158810		. SEGMENT 9560158810 IS THE SAFRAN HELICOPTER ENGINES PART NUMBER FOR: VF2569 - R-62X2,5X2,5-SV-KI-PO		2
-200A	62X2,5X2,5CB		. SEGMENT - V0051T (9560158720) ALTERNATE ITEM 200		2
250	0292517110		. HOUSING,REAR BEARING REFER TO FIG.02 FOR DETAILS		1

- ITEM NOT ILLUSTRATED



HOUSING, REAR BEARING
Figure 02

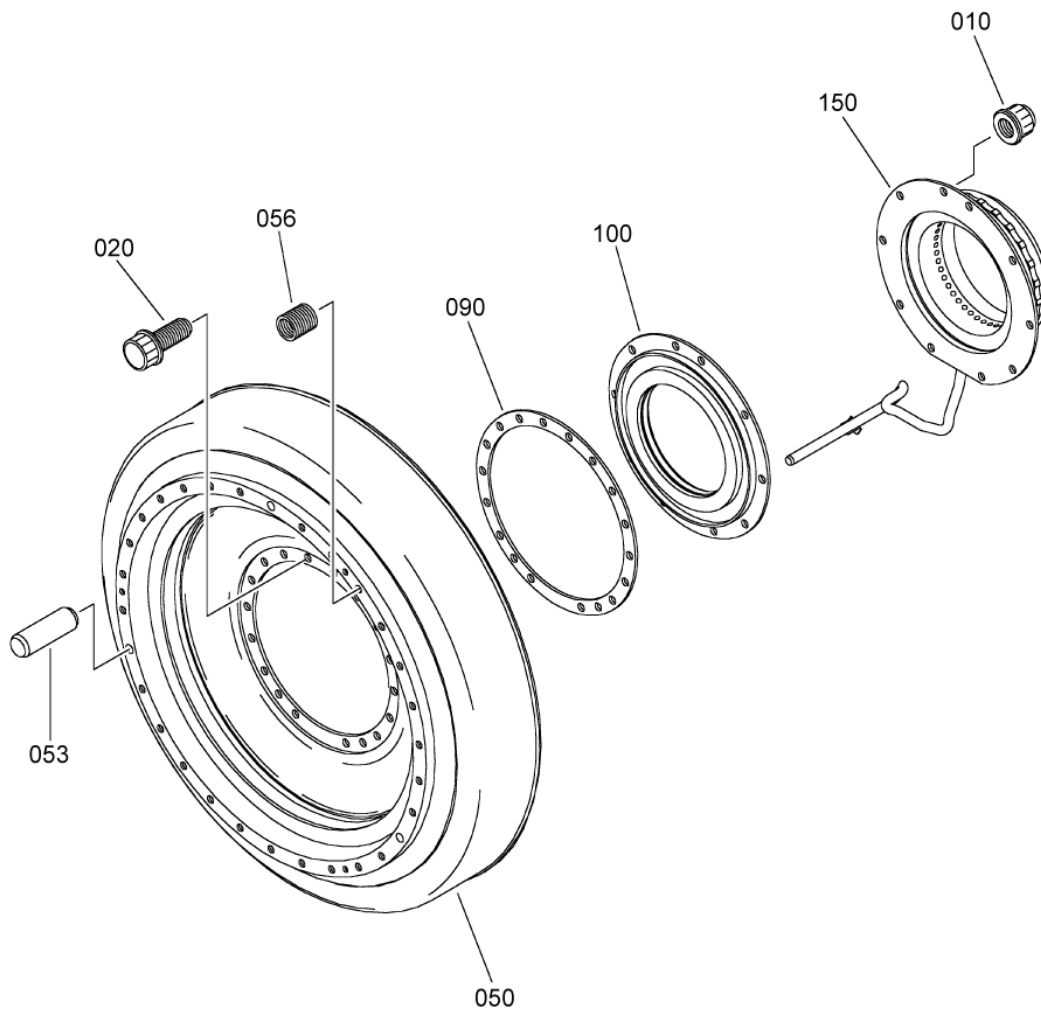
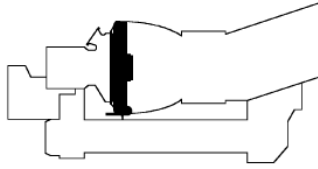
SAFRAN HELICOPTER ENGINES

ARRIEL 2 C1

ILLUSTRATED PARTS CATALOG

FIGURE ITEM	PART NUMBER	AIRL. STOCK No.	DESCRIPTION	EFFECT	QTY
			1 2 3 4 5 6 7		
02					
-001	0292517110		HOUSING, REAR BEARING REFER TO FIG. 01 ITEM 250		RF
010	EN2910-050		. ANCHOR NUT - VI9005 (9867600050)		8
020	9752100070		. SEAL		1
030	9729107101		. THREAD, INSERT		1
040	EN2944-050075		. THREAD, INSERT - VI9005 (9728050803)		6
050	0292510160		. JET		1

- ITEM NOT ILLUSTRATED



DIFFUSER ASSY,DRESSED
Figure 01

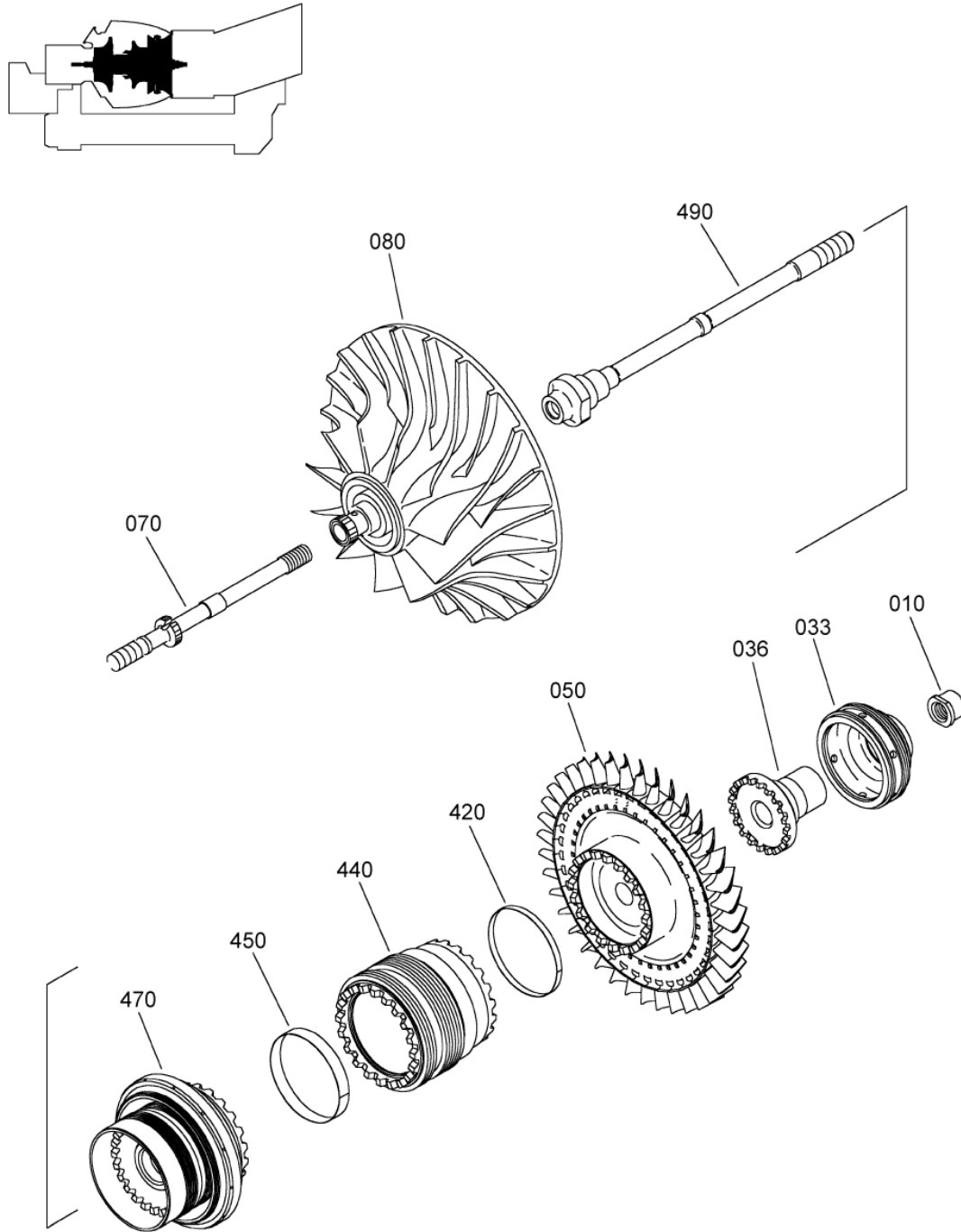
SAFRAN HELICOPTER ENGINES

ARRIEL 2 C1

ILLUSTRATED PARTS CATALOG

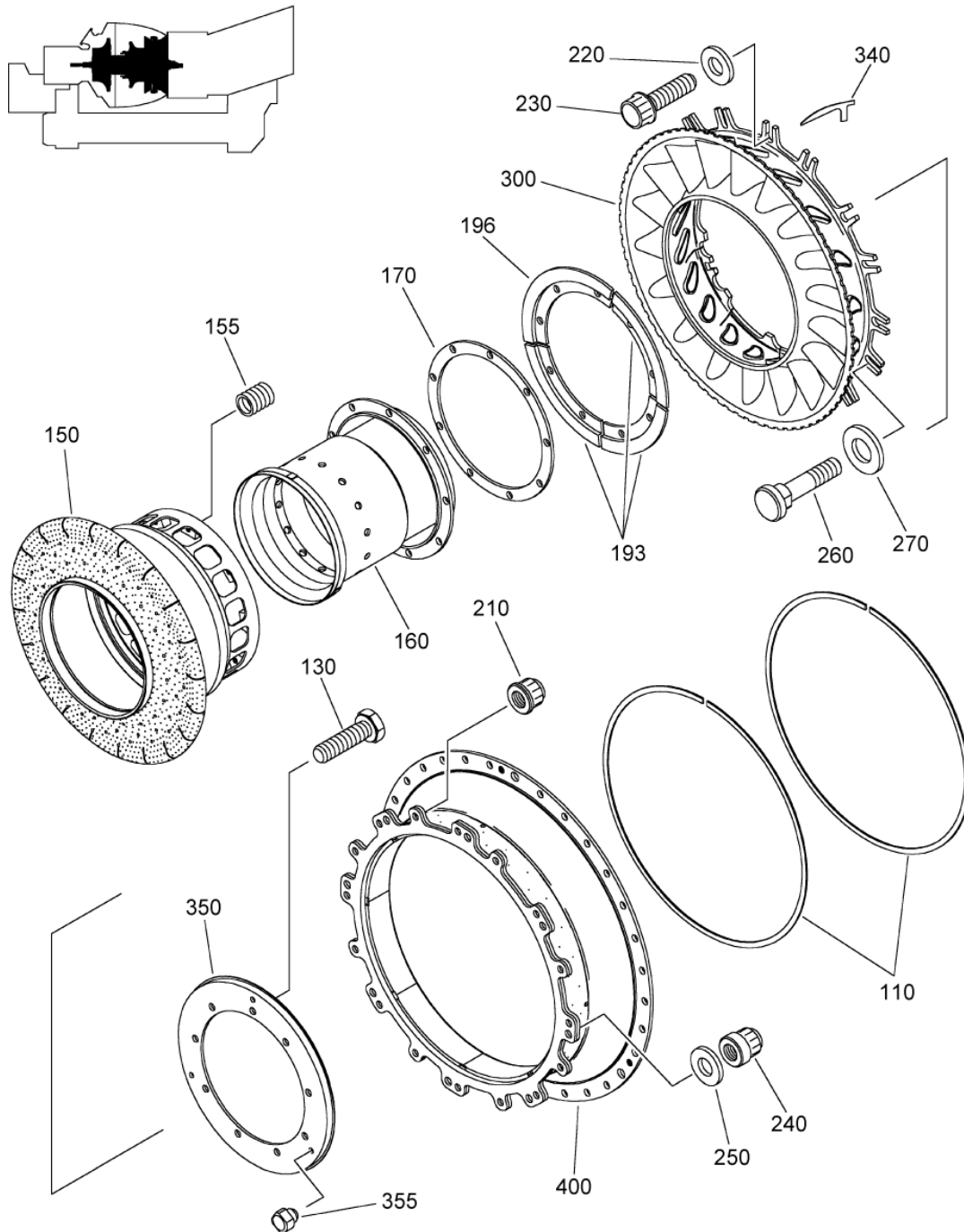
FIGURE ITEM	PART NUMBER	AIRL. STOCK No.	DESCRIPTION	EFFECT	QTY
			1 2 3 4 5 6 7		
01					
-001	-		DIFFUSER ASSY,DRESSED NON PROCURABLE REFER TO CHAP. 72-43-00 FIG.02 ITEM 250		RF
010	9866205026		. NUT 9866205026 IS THE SAFRAN HE PART NUMBER FOR: VF0111 - 22526-050 VI9005 - EN2906-050		10
020	EN2928-050016		. SCREW - VI9005 (9836005016)		10
050	0292208190		. DIFFUSER,1ST/2ND STAGE PRE TU 063A (AE 45825)		1
-050A	0292208260		. DIFFUSER,1ST/2ND STAGE PRE TU 107A (AE 50956) POST TU 063A (AE 45825)		1
-050B	0292208270		. DIFFUSER,1ST/2ND STAGE POST TU 107A (AE 50956)		1
053	EN3151-060018		. . PIN - VI9005 (9757206018)		3
-053A	7000000119		. . PIN		3
056	EN2944-050075		. . THREAD,INSERT - VI9005 (9728050803)		27
090	0292201960		. WASHER,ADJUSTING PRE ACR (AE 45453 AVT 1)		1
-090A	0292204400		. WASHER,ADJUSTING POST ACR (AE 45453 AVT 1)		1
100	228500-2		. RING,FLOATING - VF0562 (9560165770) PRE TU 163 (AE 16456)		1
-100A	1008500		. RING,FLOATING - VF0562 (9560176520) POST TU 163 (AE 16456)		1
150	0292217010		. MANIFOLD ASSY,INJECTION PRE ACR (AE 45303 AVT 1)		1
-150A	0292217030		. MANIFOLD ASSY,INJECTION POST ACR (AE 45303 AVT 1) PRE TU208 (AE 114051)		1
-150B	0292210020		. MANIFOLD ASSY,INJECTION POST TU208 (AE 114051)		1

- ITEM NOT ILLUSTRATED



HP NGV-ROTATING ASSY
Figure 01 (Sheet 1/2)

PAGE LEFT BLANK INTENTIONALLY



HP NGV-ROTATING ASSY
Figure 01 (Sheet 2/2)

SAFRAN HELICOPTER ENGINES

ARRIEL 2 C1

ILLUSTRATED PARTS CATALOG

FIGURE ITEM	PART NUMBER	AIRL. STOCK No.	DESCRIPTION	EFFECT	QTY
			1 2 3 4 5 6 7		
01					
-001	-		HP NGV-ROTATING ASSY NON PROCURABLE REFER TO CHAP. 72-43-00 FIG.02 ITEM 300		RF
010	0292260040		. NUT		1
-030	0292267110		. SHAFT,FLANGE,ASSY		1
033	2292260270		. . LABYRINTH NON PROCURABLE		1
036	2292260140		. . SHAFT,FLANGE NON PROCURABLE		1
050	0292267000		. WHEEL ASSY,HP TURBINE POST TU 164 (AE 68235) BECOMES ITEM 050Q PRE ACR (AE 47174)		1
-050A	0292267010		. WHEEL ASSY,HP TURBINE POST TU 164 (AE 68235) BECOMES ITEM 050R PRE ACR (AE 47174) ALTERNATE ITEM 050		1
-050B	0292267150		. WHEEL ASSY,HP TURBINE POST TU 123A BECOMES ITEM 050G POST TU 164 (AE 68235) BECOMES ITEM 050S PRE ACR (AE 47174) ALTERNATE ITEM 050		1
-050C	0292267160		. WHEEL ASSY,HP TURBINE PRE ACR (AE 47174) POST TU 164 (AE 68235) BECOMES ITEM 050T ALTERNATE ITEM 050		1
-050D	0292267200		. WHEEL ASSY,HP TURBINE POST TU 123A BECOMES ITEM 050H PRE TU 164 (AE 68235) POST TU 087A BECOMES ITEM 050F POST ACR (AE 47174)		1
-050E	0292267210		. WHEEL ASSY,HP TURBINE POST TU 123A BECOMES ITEM 050J PRE TU 164 (AE 68235) POST ACR (AE 47174)		1
-050F	0292267190		. WHEEL ASSY,HP TURBINE POST TU 123A BECOMES ITEM 050K PRE TU 164 (AE 68235) POST TU 087A (AE 46812) RETROFIT ITEM 050D		1
-050G	729226715A		. WHEEL ASSY,HP TURBINE POST TU 123A (AE 51518) RETROFIT ITEM 050B		1
-050H	729226720A		. WHEEL ASSY,HP TURBINE POST TU 123A (AE 51518) RETROFIT ITEM 050D		1
-050J	729226721A		. WHEEL ASSY,HP TURBINE POST TU 123A (AE 51518) RETROFIT ITEM 050E		1
-050K	729226719A		. WHEEL ASSY,HP TURBINE POST TU 123A (AE 51518) RETROFIT ITEM 050F		1

- ITEM NOT ILLUSTRATED

SAFRAN HELICOPTER ENGINES

ARRIEL 2 C1

ILLUSTRATED PARTS CATALOG

FIGURE ITEM	PART NUMBER	AIRL. STOCK No.	DESCRIPTION	EFFECT	QTY
			1 2 3 4 5 6 7		
01					
-05L	729226720B		. WHEEL ASSY,HP TURBINE POST ACR (AE 52546) ALTERNATE ITEMS 050 050A 050B 050D 050F		1
-05M	0292260360		. WHEEL ASSY,HP TURBINE POST TU 164 (AE 68235) POST TU 167 (AE 79006) BECOMES ITEM 050U PRE TU 166 (AE 82202)		1
-05N	0292260370		. WHEEL ASSY,HP TURBINE POST TU 164 (AE 68235) POST TU 167 (AE 79006) BECOMES ITEM 050V PRE TU 166 (AE 82202)		1
-05P	0292260350		. WHEEL ASSY,HP TURBINE POST TU 164 (AE 68235) POST TU 167 (AE 79006) BECOMES ITEM 050W PRE TU 166 (AE 82202)		1
-05Q	0292260380		. WHEEL ASSY,HP TURBINE POST TU 164 (AE 68235) RETROFIT ITEM 050		1
-05R	0292260390		. WHEEL ASSY,HP TURBINE POST TU 164 (AE 68235) RETROFIT ITEM 050A		1
-05S	0292260400		. WHEEL ASSY,HP TURBINE POST TU 164 (AE 68235) RETROFIT ITEM 050B		1
-05T	0292260410		. WHEEL ASSY,HP TURBINE POST TU 164 (AE 68235) RETROFIT ITEM 050C		1
-05U	0292260450		. WHEEL ASSY,HP TURBINE POST TU 166 (AE 82202) BECOMES ITEM 050AA POST TU 167 (AE 79006) RETROFIT ITEM 050M		1
-05V	0292260460		. WHEEL ASSY,HP TURBINE POST TU 167 (AE 79006) RETROFIT ITEM 050N POST TU 166 (AE 82202) BECOMES ITEM 050AB		1
-05W	0292260440		. WHEEL ASSY,HP TURBINE POST TU 166 (AE 82202) BECOMES ITEM 050AC POST TU 167 (AE 79006) RETROFIT ITEM 050P		1
-05X	0292260500		. WHEEL ASSY,HP TURBINE POST TU 166 (AE 82202)		1
-05Y	0292260510		. WHEEL ASSY,HP TURBINE POST TU 166 (AE 82202)		1
-05Z	0292260490		. WHEEL ASSY,HP TURBINE POST TU 166 (AE 82202)		1
-05AA	0292260540		. WHEEL ASSY,HP TURBINE POST ACR (AE 84997) BECOMES ITEM 050AD POST TU 166 (AE 82202) RETROFIT ITEM 050U		1

- ITEM NOT ILLUSTRATED

SAFRAN HELICOPTER ENGINES

ARRIEL 2 C1

ILLUSTRATED PARTS CATALOG

FIGURE ITEM	PART NUMBER	AIRL. STOCK No.	DESCRIPTION	EFFECT	QTY
			1 2 3 4 5 6 7		
01					
-050AB	0292260550		. WHEEL ASSY,HP TURBINE POST ACR (AE 84997) BECOMES ITEM 050AD POST TU 166 (AE 82202) RETROFIT ITEM 050V PRE ACR (AE 120372)		1
-050AC	0292260530		. WHEEL ASSY,HP TURBINE POST ACR (AE 84997) BECOMES ITEM 050AD POST TU 166 (AE 82202) RETROFIT ITEM 050W		1
-050AD	729226720C		. WHEEL ASSY,HP TURBINE POST ACR (AE 84997) RETROFIT ITEMS 050AA 050AB 050AC POST ACR (AE 84997)		1
-050AE	0292260750		. WHEEL ASSY,HP TURBINE POST ACR (AE 120372) REFER TO FIG.03 FOR DETAILS		1
070	0292990770		. SCREW,AXIAL PRE TU 152 (AE 65372) POST TU152 (AE 65372) BECOMES ITEM 070H USE WITH ITEMS 080 080A 080B 080C		1
-070A	0292990990		. SCREW,AXIAL PRE TU 152 (AE 65372) POST TU152 (AE 65372) BECOMES ITEM 070J ALTERNATE ITEM 070 USE WITH ITEMS 080 080A 080B 080C		1
-070B	0292990060		. SCREW,AXIAL PRE TU152 (AE 65372) USE WITH ITEMS 080 080A 080B 080C		1
-070C	0292990080		. SCREW,AXIAL PRE TU152 (AE 65372) ALTERNATE ITEM 070B USE WITH ITEMS 080 080A 080B 080C		1
-070D	0292990110		. SCREW,AXIAL PRE TU 152 (AE 65372) USE WITH ITEMS 080 080A 080B 080C		1
-070E	0292990120		. SCREW,AXIAL PRE TU 152 (AE 65372) USE WITH ITEMS 080 080A 080B 080C		1
-070F	0292990060		. SCREW,AXIAL POST TU152 (AE 65372) USE WITH ITEMS 080D 080E		1
-070G	0292990080		. SCREW,AXIAL POST TU152 (AE 65372) USE WITH ITEMS 080D 080E		1
-070H	0292990110		. SCREW,AXIAL POST TU152 (AE 65372) RETROFIT ITEM 070 USE WITH ITEMS 080D 080E		1

- ITEM NOT ILLUSTRATED

SAFRAN HELICOPTER ENGINES

ARRIEL 2 C1

ILLUSTRATED PARTS CATALOG

FIGURE ITEM	PART NUMBER	AIRL. STOCK No.	DESCRIPTION	EFFECT	QTY
			1 2 3 4 5 6 7		
01					
-070J	0292990120		. SCREW,AXIAL POST TU152 (AE 65372) RETROFIT ITEM 070A USE WITH ITEMS 080D 080E		1
080	0292260010		. IMPELLER,CENTRIFUGAL PRE TU 138 (AE 12157) POST TU152 (AE 65372) BECOMES ITEM 080E USE WITH ITEMS 070 070A 070B 070C 070D 070E		1
-080A	0292260880		. IMPELLER,CENTRIFUGAL POST TU 138 (AE 12157) PRE TU 152 (AE 65372) USE WITH ITEMS 070 070A 070B 070C 070D 070E		1
-080B	0292260110		. IMPELLER,CENTRIFUGAL PRE TU152 (AE 65372) POST TU 138 (AE 12157) USE WITH ITEMS 070 070A 070B 070C 070D 070E		1
-080C	0292260120		. IMPELLER,CENTRIFUGAL PRE TU 152 (AE 65372) PRE TU 138 (AE 12157) USE WITH ITEMS 070 070A 070B 070C 070D 070E		1
-080D	0292260110		. IMPELLER,CENTRIFUGAL POST TU152 (AE 65372) POST TU 138 (AE 12157) USE WITH ITEMS 070F 070G 070H 070J		1
-080E	0292260120		. IMPELLER,CENTRIFUGAL POST TU152 (AE 65372) RETROFIT ITEM 080 USE WITH ITEMS 070F 070G 070H 070J		1
110	A17761-186-1		. SEGMENT - VK1209 (9560158450)		2
130	EN3613-050018		. SCREW - VI9005 (9836505018)		9
150	0292377400		. INNER PART,COMB. CHAMBER PRE TU 104A (AE 50909)		1
-150A	0292377990		. INNER PART,COMB. CHAMBER POST TU 104A (AE 50909)		1
-150B	0292378040		. INNER PART,COMB. CHAMBER POST ACR (AE 96709) ALTERNATE ITEM 150A		1
155	EN3542-050075		. . THREAD,INSERT - VI9005 (9729105083) PRE ACR (AE 46850)		9
-155A	EN3542-050063		. . THREAD,INSERT - VI9005 (9729105082) POST ACR (AE 46850)		9
160	0292377830		. SHROUD,LABYRINTH PRE TU 044A (AE 46208)		1
-160A	0292377890		. SHROUD,LABYRINTH POST TU 044A (AE 46208)		1
170	0292440320		. WASHER,ADJUSTING		1
-190	0292447070		. SECTOR ASSY		1
193	2292440170		. . SECTOR NON PROCURABLE		3

- ITEM NOT ILLUSTRATED

SAFRAN HELICOPTER ENGINES

ARRIEL 2 C1

ILLUSTRATED PARTS CATALOG

FIGURE ITEM	PART NUMBER	AIRL. STOCK No.	DESCRIPTION	EFFECT	QTY
			1 2 3 4 5 6 7		
01					
196	2292440180		. . SECTOR NON PROCURABLE		1
210	9866205026		. NUT 9866205026 IS THE SAFRAN HE PART NUMBER FOR: VF0111 - 22526-050 VI9005 - EN2906-050		8
220	23112CF050		. WASHER - VF0111 (9975050024)		8
230	EN3686050018		. SCREW - VI9005 (9836405018)		8
240	EN2909-050		. NUT - VI9005 (9866305025)		8
250	23112CF050		. WASHER - VF0111 (9975050024)		8
260	0292440140		. AXLE, POSITIONING		8
270	9975070024		. WASHER		8
300	0292447210		. NOZZLE GUIDE VANE, HP POST ACR (AE 63695) BECOMES ITEM 300B		1
-300A	0292447250		. NOZZLE GUIDE VANE, HP POST ACR (AE 63695) BECOMES ITEM 300C ALTERNATE ITEM 300		1
-300B	729244721A		. NOZZLE GUIDE VANE, HP POST ACR (AE 63695) RETROFIT ITEM 300		1
-300C	729244725A		. NOZZLE GUIDE VANE, HP POST ACR (AE 63695) RETROFIT ITEM 300A ALTERNATE ITEM 300B		1
340	0292440210		. TAB		9
350	0292447200		. FLANGE		1
355	2292440160		. . PIN NON PROCURABLE		3
400	0292447290		. RING ASSY, TURBINE PRE ACR (AE 45583)		1
-400A	0292447300		. RING ASSY, TURBINE PRE ACR (AE 45097) POST ACR (AE 45583)		1
-400B	0292447320		. RING ASSY, TURBINE POST ACR (AE 45097) REFER TO FIG.02 FOR DETAILS		1
420	0292252060		. RING, BLANKING		1
440	0292260020		. SHAFT, TURBINE		1
450	0292252050		. RING, EXPANSIVE		1
470	0292267120		. WHEEL, INJECTION, ASSY PRE TU 112 (AE 46076)		1
-470A	0292267230		. WHEEL, INJECTION, ASSY POST TU 112 (AE 46076) OPTIONAL		1
-472	2292260280		. . FERRULE NON PROCURABLE PRE ACR (AE 116858)		1
-472A	2292260500		. . FERRULE NON PROCURABLE POST ACR (AE 116858)		1

- ITEM NOT ILLUSTRATED

SAFRAN HELICOPTER ENGINES

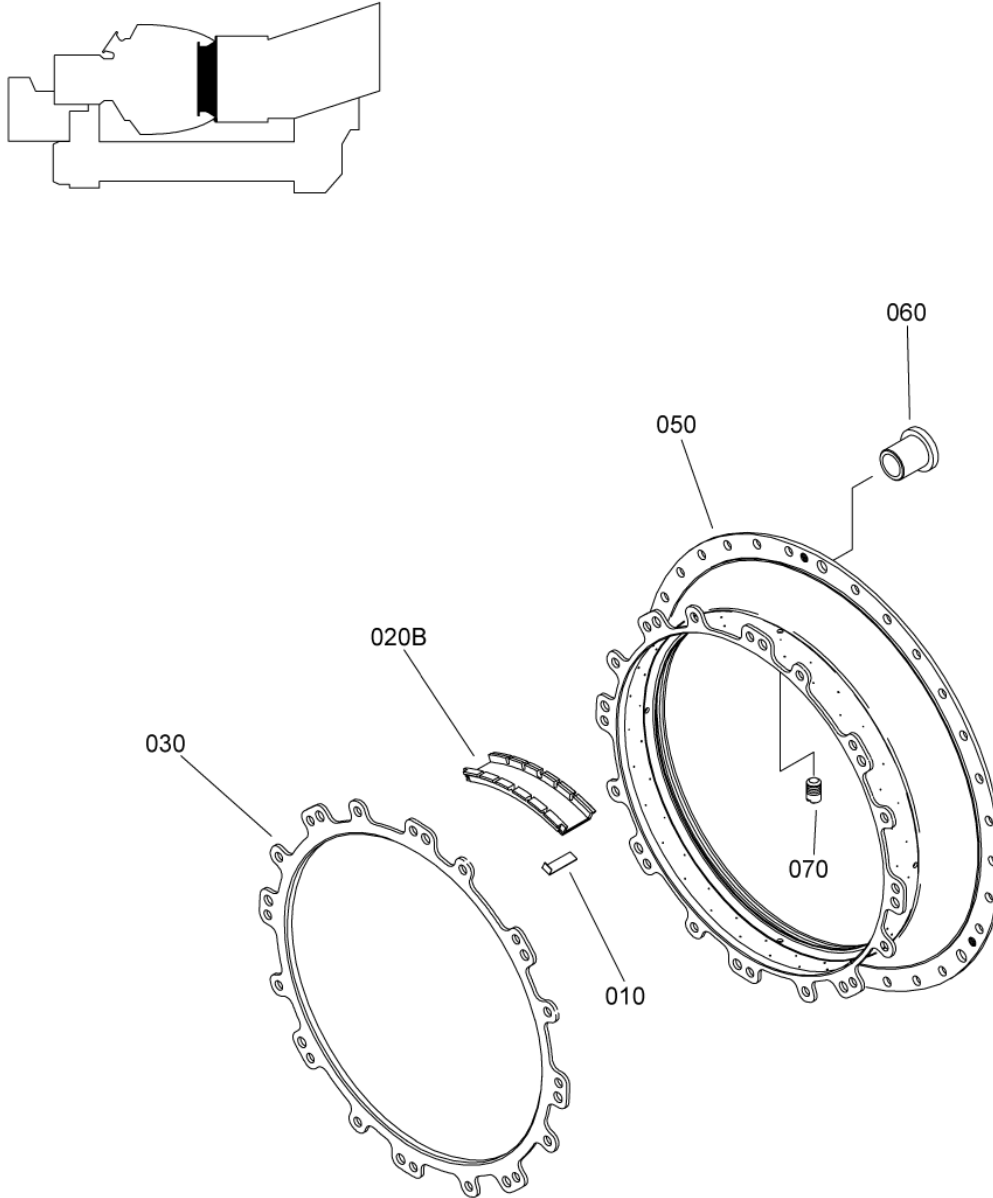
ARRIEL 2 C1

ILLUSTRATED PARTS CATALOG

FIGURE ITEM	PART NUMBER	AIRL. STOCK No.	DESCRIPTION	EFFECT	QTY
			1 2 3 4 5 6 7		
01 -474	2292260210		. . WHEEL,INJECTION NON PROCURABLE PRE TU 112 (AE 46076) PART OF ITEM 470		1
-474A	2292260870		. . WHEEL,INJECTION NON PROCURABLE POST TU 112 (AE 46076) PART OF ITEM 470A		1
490	0292260730		. SCREW,TURBINE		1

- ITEM NOT ILLUSTRATED

PAGE LEFT BLANK INTENTIONALLY



RING ASSY,TURBINE
Figure 02

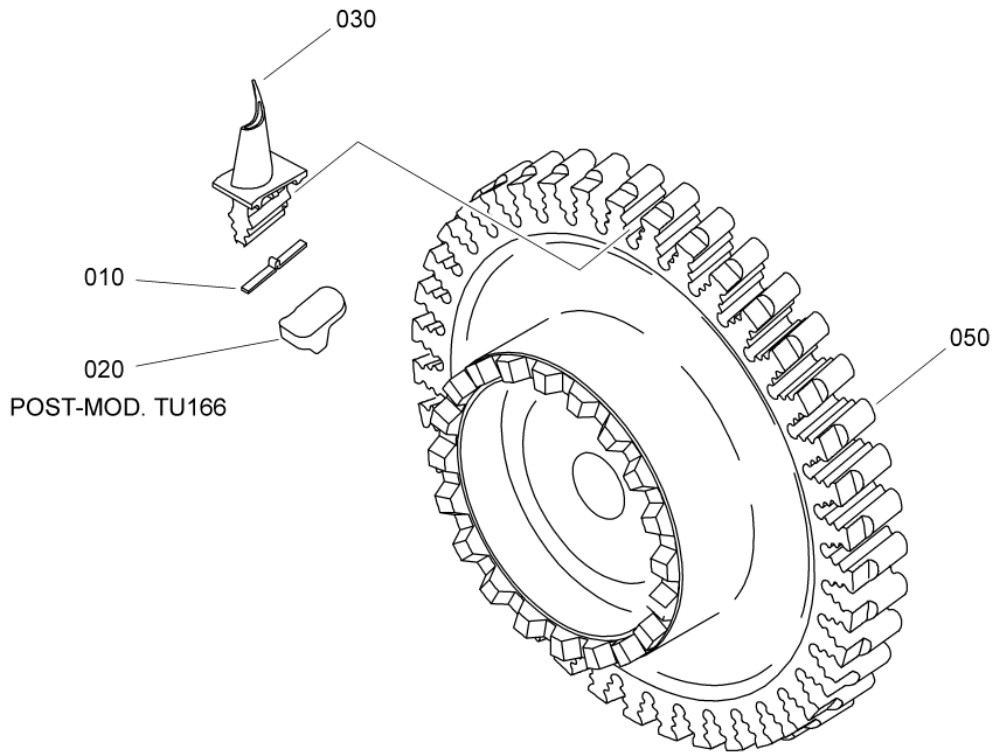
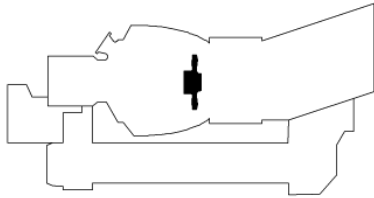
SAFRAN HELICOPTER ENGINES

ARRIEL 2 C1

ILLUSTRATED PARTS CATALOG

FIGURE ITEM	PART NUMBER	AIRL. STOCK No.	DESCRIPTION	EFFECT	QTY
			1 2 3 4 5 6 7		
02					
-001	0292447290		RING ASSY,TURBINE PRE ACR (AE 45583)	a	RF
-001A	0292447300		RING ASSY,TURBINE PRE ACR (AE 45097) POST ACR (AE 45583)	b	RF
-001B	0292447320		RING ASSY,TURBINE POST ACR (AE 45097) REFER TO FIG. 01 ITEM 400	c	RF
010	0292440110		. TAB,SEALING		8
-020	0292447240		. SET OF SEGMENTS PRE ACR (AE 45583)	a	1
-020A	0292447310		. SET OF SEGMENTS (H: 6.50) NON PROCURABLE PRE ACR (AE 47883)	b, c	1
020B	0292447310		. SET OF SEGMENTS (H: 6.56) POST ACR (AE 45583) PRE ACR (AE 63387) POST ACR (AE 47883)	b, c	1
-020C	729244731A		. SEGMENT POST ACR (AE 63387) ALTERNATE ITEM 020B	b, c	8
030	0292440330		. WASHER,RETAINING		1
050	0292447230		. SHROUD,TURBINE PRE ACR (AE 45097)	a, b	1
-050A	0292447280		. SHROUD,TURBINE POST ACR (AE 45097)	c	1
060	0333200180		. . BUSH		3
070	2333220870		. . PIN		8

- ITEM NOT ILLUSTRATED



WHEEL ASSY,HP TURBINE
Figure 03

SAFRAN HELICOPTER ENGINES

ARRIEL 2 C1

ILLUSTRATED PARTS CATALOG

FIGURE ITEM	PART NUMBER	AIRL. STOCK No.	DESCRIPTION	EFFECT	QTY
			1 2 3 4 5 6 7		
03					
-001	0292267000		WHEEL ASSY,HP TURBINE POST TU 164 (AE 68235) BECOMES ITEM 001Q PRE ACR (AE 47174)	a	RF
-001A	0292267010		WHEEL ASSY,HP TURBINE POST TU 164 (AE 68235) BECOMES ITEM 001R PRE ACR (AE 47174)	b	RF
-001B	0292267150		ALTERNATE ITEM 001 WHEEL ASSY,HP TURBINE POST TU 123A BECOMES ITEM 001G POST TU 164 (AE 68235) BECOMES ITEM 001S PRE ACR (AE 47174)	c	RF
-001C	0292267160		ALTERNATE ITEM 001 WHEEL ASSY,HP TURBINE PRE ACR (AE 47174) POST TU 164 (AE 68235) BECOMES ITEM 001T ALTERNATE ITEM 001	d	RF
-001D	0292267200		WHEEL ASSY,HP TURBINE POST TU 123A BECOMES ITEM 001H PRE TU 164 (AE 68235) POST TU 087A BECOMES ITEM 001F POST ACR (AE 47174)	e	RF
-001E	0292267210		WHEEL ASSY,HP TURBINE POST TU 123A BECOMES ITEM 001J PRE TU 164 (AE 68235) POST ACR (AE 47174)	f	RF
-001F	0292267190		WHEEL ASSY,HP TURBINE POST TU 123A BECOMES ITEM 001K PRE TU 164 (AE 68235) POST TU 087A (AE 46812) RETROFIT ITEM 001D	g	RF
-001G	729226715A		WHEEL ASSY,HP TURBINE POST TU 123A (AE 51518) RETROFIT ITEM 001B	h	RF
-001H	729226720A		WHEEL ASSY,HP TURBINE POST TU 123A (AE 51518) RETROFIT ITEM 001D	i	RF
-001J	729226721A		WHEEL ASSY,HP TURBINE POST TU 123A (AE 51518) RETROFIT ITEM 001E	j	RF
-001K	729226719A		WHEEL ASSY,HP TURBINE POST TU 123A (AE 51518) RETROFIT ITEM 001F	k	RF
-001L	729226720B		WHEEL ASSY,HP TURBINE POST ACR (AE 52546) ALTERNATE ITEMS 001 001A 001B 001D 001F	l	RF
-001M	0292260360		WHEEL ASSY,HP TURBINE POST TU 164 (AE 68235) POST TU 167 (AE 79006) BECOMES ITEM 001U PRE TU 166 (AE 82202)	m	RF

- ITEM NOT ILLUSTRATED

SAFRAN HELICOPTER ENGINES

ARRIEL 2 C1

ILLUSTRATED PARTS CATALOG

FIGURE ITEM	PART NUMBER	AIRL. STOCK No.	DESCRIPTION	EFFECT	QTY
			1 2 3 4 5 6 7		
03					
-001N	0292260370		WHEEL ASSY,HP TURBINE POST TU 164 (AE 68235) POST TU 167 (AE 79006) BECOMES ITEM 001V PRE TU 166 (AE 82202)	n	RF
-001P	0292260350		WHEEL ASSY,HP TURBINE POST TU 164 (AE 68235) POST TU 167 (AE 79006) BECOMES ITEM 001W PRE TU 166 (AE 82202)	o	RF
-001Q	0292260380		WHEEL ASSY,HP TURBINE POST TU 164 (AE 68235) RETROFIT ITEM 001	p	RF
-001R	0292260390		WHEEL ASSY,HP TURBINE POST TU 164 (AE 68235) RETROFIT ITEM 001A	q	RF
-001S	0292260400		WHEEL ASSY,HP TURBINE POST TU 164 (AE 68235) RETROFIT ITEM 001B	r	RF
-001T	0292260410		WHEEL ASSY,HP TURBINE POST TU 164 (AE 68235) RETROFIT ITEM 001C	s	RF
-001U	0292260450		WHEEL ASSY,HP TURBINE POST TU 166 (AE 82202) BECOMES ITEM 001AA POST TU 167 (AE 79006) RETROFIT ITEM 001M	t	RF
-001V	0292260460		WHEEL ASSY,HP TURBINE POST TU 167 (AE 79006) RETROFIT ITEM 001N POST TU 166 (AE 82202) BECOMES ITEM 001AB	u	RF
-001W	0292260440		WHEEL ASSY,HP TURBINE POST TU 166 (AE 82202) BECOMES ITEM 001AC POST TU 167 (AE 79006) RETROFIT ITEM 001P	v	RF
-001X	0292260500		WHEEL ASSY,HP TURBINE POST TU 166 (AE 82202)	w	RF
-001Y	0292260510		WHEEL ASSY,HP TURBINE POST TU 166 (AE 82202)	x	RF
-001Z	0292260490		WHEEL ASSY,HP TURBINE POST TU 166 (AE 82202)	y	RF
-001AA	0292260540		WHEEL ASSY,HP TURBINE POST ACR (AE 84997) BECOMES ITEM 001AD POST TU 166 (AE 82202) RETROFIT ITEM 001U	z	RF
-001AB	0292260550		WHEEL ASSY,HP TURBINE POST ACR (AE 84997) BECOMES ITEM 001AD POST TU 166 (AE 82202) RETROFIT ITEM 001V PRE ACR (AE 120372)	aa	RF
-001AC	0292260530		WHEEL ASSY,HP TURBINE POST ACR (AE 84997) BECOMES ITEM 001AD POST TU 166 (AE 82202) RETROFIT ITEM 001W	ab	RF

- ITEM NOT ILLUSTRATED

SAFRAN HELICOPTER ENGINES

ARRIEL 2 C1

ILLUSTRATED PARTS CATALOG

FIGURE ITEM	PART NUMBER	AIRL. STOCK No.	DESCRIPTION	EFFECT	QTY
			1 2 3 4 5 6 7		
03					
-001AD	729226720C		WHEEL ASSY,HP TURBINE POST ACR (AE 84997) RETROFIT ITEMS 001AA 001AB 001AC POST ACR (AE 84997)	ac	RF
-001AE	0292260750		WHEEL ASSY,HP TURBINE POST ACR (AE 120372) REFER TO FIG. 01 ITEM 050	ad	RF
010	0292260090		. LOCK PRE ACR (AE 47174)	a, b, c, d, h	39
-010A	0292260830		. LOCK PRE TU 164 (AE 68235) POST ACR (AE 47174)	e, f, g, i, j, k, l	39
-010B	0292260330		. LOCK POST TU 164 (AE 68235)	m, n, o, p, q, r, s, t, u, v, w, x, y, z, aa, ab, ac	39
020	0292260240		. DAMPER POST TU 166 (AE 82202)	w, x, y, z, aa, ab, ac	39
030	2292260070		. BLADE,HP TURBINE SELECTED PART	a, l, p, ac	39
-030A	2292260080		. BLADE,HP TURBINE SELECTED PART	a, p	39
-030B	2292260100		. BLADE,HP TURBINE SELECTED PART	b, l, q, ac	39
-030C	2292260110		. BLADE,HP TURBINE SELECTED PART	b, q	39
-030D	2292260760		. BLADE,HP TURBINE PRE ACR (AE 47174) POST TU 123A BECOMES ITEM 030L SELECTED PART	c, e, h, l, r, ac	39
-030E	2292260770		. BLADE,HP TURBINE NON PROCURABLE PRE ACR (AE 47174) SELECTED PART	c, h, r	39
-030F	2292260780		. BLADE,HP TURBINE PRE ACR (AE 47174) SELECTED PART	d, s	39
-030G	2292260790		. BLADE,HP TURBINE PRE ACR (AE 47174) SELECTED PART	d, s	39
-030H	229226A0A0		. BLADE,HP TURBINE POST TU 123A BECOMES ITEM 030M PRE TU 167 (AE 79006) PRE TU 087A (AE 46812) POST ACR (AE 47174)	e, i, l, m, w, ac	39

- ITEM NOT ILLUSTRATED

SAFRAN HELICOPTER ENGINES

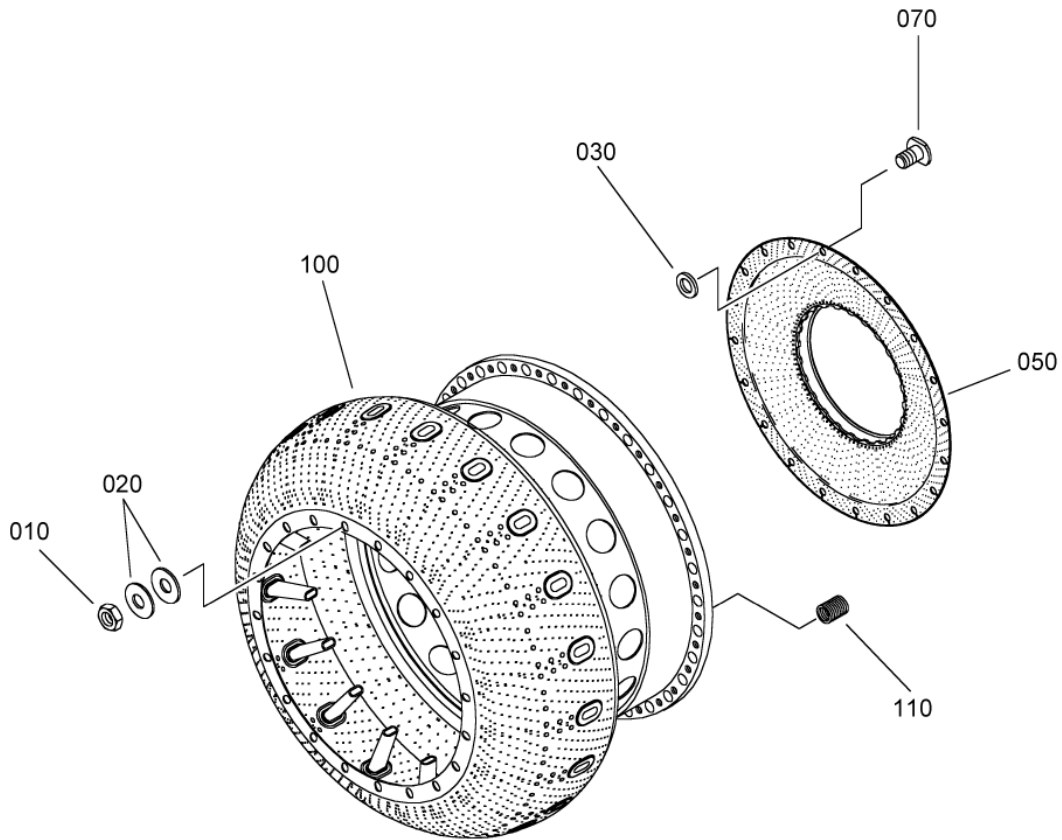
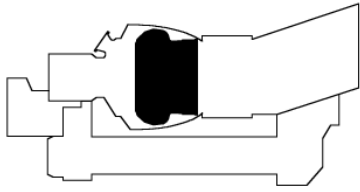
ARRIEL 2 C1

ILLUSTRATED PARTS CATALOG

FIGURE ITEM	PART NUMBER	AIRL. STOCK No.	DESCRIPTION	EFFECT	QTY
			1 2 3 4 5 6 7		
03					
-030J	229226A0B0		. BLADE,HP TURBINE POST ACR (AE 47174) PRE TU 167 (AE 79006) POST TU 123A BECOMES ITEM 030N	f, j, n, x, ac	39
-030K	229226A070		. BLADE,HP TURBINE POST TU 087A (AE 46812) POST TU 123A BECOMES ITEM 030P PRE TU 167 (AE 79006)	g, k, l, o, y, ac	39
-030L	729226076A		. BLADE,HP TURBINE POST TU 123A (AE 51518) RETROFIT ITEM 030D	h, ac	39
-030M	729226A0AA		. BLADE,HP TURBINE POST TU 123A (AE 51518) RETROFIT ITEM 030H	i, t, z, ac	39
-030N	729226A0BA		. BLADE,HP TURBINE POST TU 123A (AE 51518) RETROFIT ITEM 030J	j, u, aa, ac	39
-030P	729226A07A		. BLADE,HP TURBINE POST TU 123A (AE 51518) RETROFIT ITEM 030K	k, v, ab, ac	39
-030Q	229226A3X0		. BLADE,HP TURBINE POST TU 167 (AE 79006)	t, z, ac	39
-030R	229226A3Y0		. BLADE,HP TURBINE POST TU 167 (AE 79006)	u, aa, ac	39
-030S	229226A3Z0		. BLADE,HP TURBINE POST TU 167 (AE 79006)	v, ab, ac	39
-030T	229226A580		. BLADE,HP TURBINE POST ACR (AE 95148) ALTERNATE ITEM 030J		39
-030U	229226A590		. BLADE,HP TURBINE POST ACR (AE 95148) ALTERNATE ITEM 030R		39
050	2292260060		. DISK,HP TURBINE PRE ACR (AE 120372)	a, b, c, d, e, f, g, h, i, j, k, l, m, n, o, p, q, r, s, t, u, v, w, x, y, z, aa, ab, ac	1
-050A	0292260690		. DISK,HP TURBINE POST ACR (AE 120372)	ad	1

- ITEM NOT ILLUSTRATED

PAGE LEFT BLANK INTENTIONALLY



OUTER PART, COMB. CHAMBER
Figure 01

SAFRAN HELICOPTER ENGINES

ARRIEL 2 C1

ILLUSTRATED PARTS CATALOG

FIGURE ITEM	PART NUMBER	AIRL. STOCK No.	DESCRIPTION	EFFECT	QTY
			1 2 3 4 5 6 7		
01					
-001	0292377310		OUTER PART,COMB. CHAMBER PRE TU 051 (AE 45521) POST TU 162 (AE 67393) BECOMES ITEM 001H POST TU 103A (AE 50907) BECOMES ITEM 001E	a	RF
-001A	0292377880		OUTER PART,COMB. CHAMBER POST TU 051 (AE 45521) PRE TU 162 (AE 67393) PRE TU 103A (AE 50907)	b	RF
-001B	0292377960		OUTER PART,COMB. CHAMBER PRE TU 162 (AE 67393) POST TU 103A (AE 50907) ALTERNATE ITEM 001A	c	RF
-001C	0292378020		OUTER PART,COMB. CHAMBER PRE TU 162 (AE 67393) POST TU 127A (AE 51250) ALTERNATE ITEM 001A	d	RF
-001D	0292378030		OUTER PART,COMB. CHAMBER POST TU 127A (AE 51250) PRE TU 162 (AE 67393) ALTERNATE ITEM 001B	e	RF
-001E	0292370370		OUTER PART,COMB. CHAMBER POST TU 162 (AE 67393) BECOMES ITEM 001H POST TU 103A (AE 50907) RETROFIT ITEM 001	f	RF
-001F	0292370390		OUTER PART,COMB. CHAMBER POST TU 162 (AE 67393)	g	RF
-001G	0292370400		OUTER PART,COMB. CHAMBER POST TU 162 (AE 67393)	h	RF
-001H	0292370410		OUTER PART,COMB. CHAMBER POST TU 162 (AE 67393) RETROFIT ITEMS 001 001E	i	RF
-001J	0292370460		OUTER PART,COMB. CHAMBER POST ACR (AE 95168) ALTERNATE ITEM 001F REFER TO CHAP. 72-43-00 FIG.02 ITEM 400	j	RF
010	0000051520		. NUT		20
020	0292300050		. WASHER,SPRING PRE ACR (AE 102332)		40
-020A	0292300010		. WASHER,SPRING POST ACR (AE 102332)		40
030	0292350010		. WASHER		20
050	0292377110		. SWIRL PLATE,FRONT,ASSY PRE TU 162 (AE 67393) PRE TU 103A (AE 50907)	a, b, d	1
-050A	0292377910		. SWIRL PLATE,FRONT,ASSY POST TU 103A (AE 50907) PRE TU 162 (AE 67393)	c, e, f	1
-050B	0292370380		. SWIRL PLATE,FRONT,ASSY POST TU 162 (AE 67393)	g, h, i, j	1
070	0292300030		. PIN		20

- ITEM NOT ILLUSTRATED

SAFRAN HELICOPTER ENGINES

ARRIEL 2 C1

ILLUSTRATED PARTS CATALOG

FIGURE ITEM	PART NUMBER	AIRL. STOCK No.	DESCRIPTION	EFFECT	QTY
			1 2 3 4 5 6 7		
01					
070A	0292300030		. PIN		20
100	0292377000		. MIXER,CONTAINMENT SHIELD NON PROCURABLE PRE TU 051 (AE 45521)	a, f, i	1
-100A	0292377870		. MIXER,CONTAINMENT SHIELD NON PROCURABLE POST TU 051 (AE 45521) PRE TU127A (AE 51250)	b, c, h	1
-100B	0292377010		. MIXER,CONTAINMENT SHIELD NON PROCURABLE POST TU 127A (AE 51250) PRE ACR (AE 95168)	d, e, g	1
-100C	0292370450		. MIXER,CONTAINMENT SHIELD NON PROCURABLE POST ACR (AE 95168) PRE ACR (AE 109499)	j	1
-100D	0292370500		. MIXER,CONTAINMENT SHIELD NON PROCURABLE POST ACR (AE 109499)	j	1
110	EN3542-050075		. . THREAD, INSERT - VI9005 (9729105083) PRE ACR (AE 48237) PART OF ITEMS 100 100A 100B		32
-110A	EN3542-050063		. . THREAD, INSERT - VI9005 (9729105082) POST ACR (AE 48237) PRE ACR (AE 95168) PART OF ITEMS 100 100A 100B		32
-110B	EN2910-050		. . NUT - VI9005 (9867600050) POST ACR (AE 95168) PRE ACR (AE 109499) PART OF ITEM 100C		32
-110C	EN3542-050063		. . THREAD, INSERT - VI9005 (9729105082) POST ACR (AE 109499) PART OF ITEM 100D		32

- ITEM NOT ILLUSTRATED

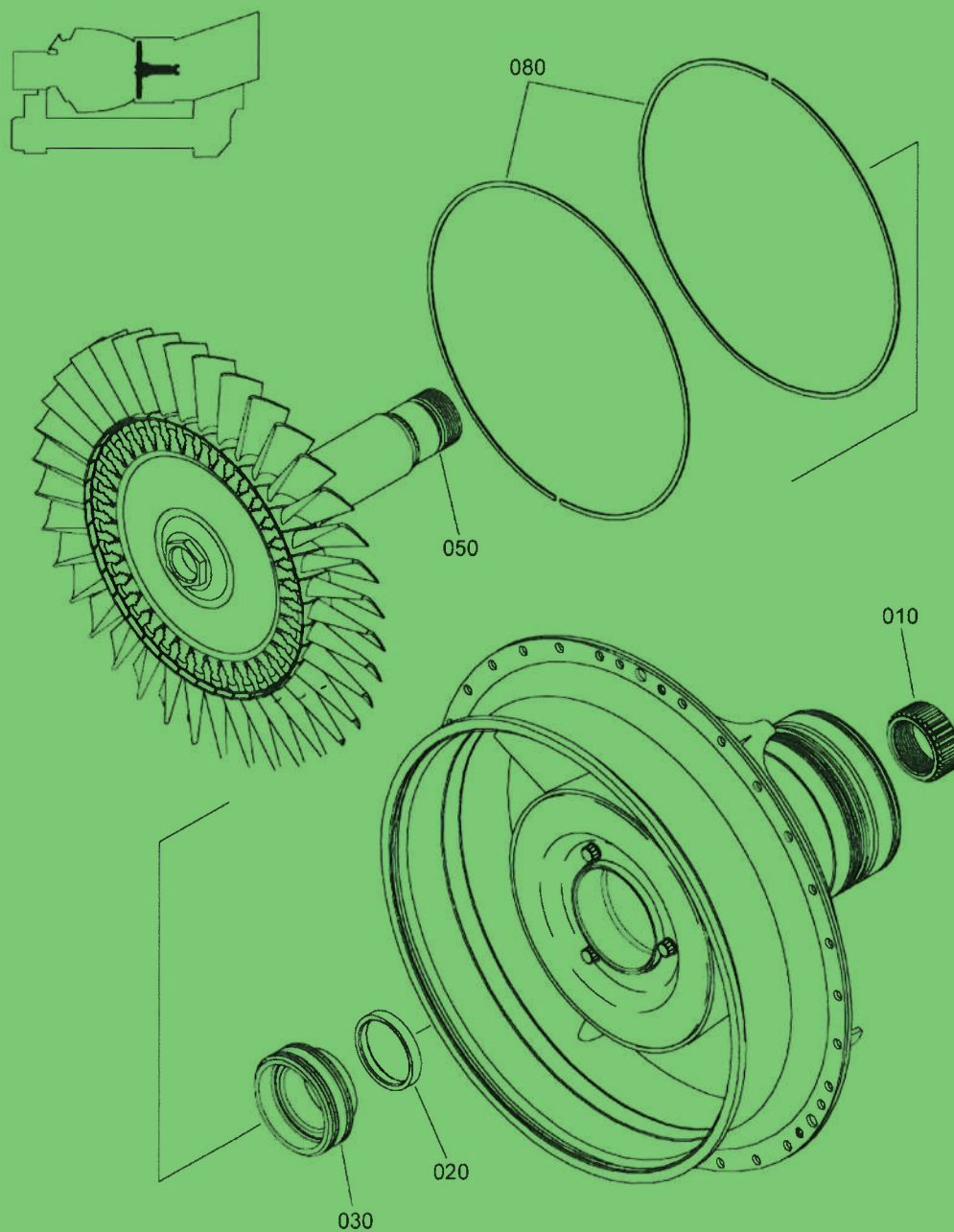
PAGE LEFT BLANK INTENTIONALLY

DETAILED PART LIST

TURBINE

72-50-00

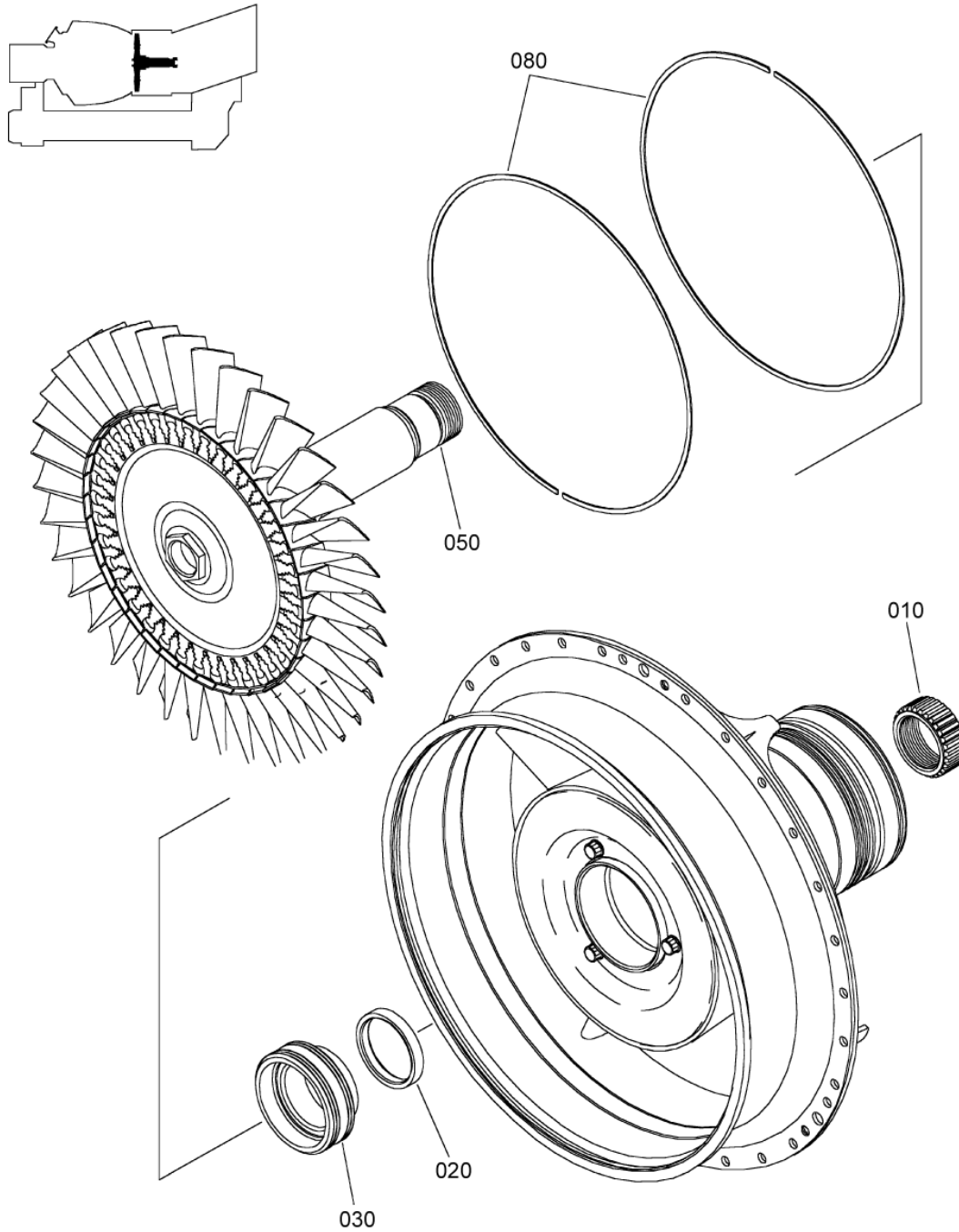
ARRIEL 2 C1



MODULE, POWER TURBINE
Figure 01

FIGURE ITEM	PART NUMBER	AIRL. STOCK No.	DESCRIPTION	EFFECT	QTY
			1 2 3 4 5 6 7		
01					
-001	70BM041720		MODULE,POWER TURBINE REPAIRABLE REFER TO CHAP. 72-00-00 FIG.01 ITEM 050		RF
010	0292810450		. NUT,POWER TURBINE		1
020	0292810330		. WASHER SELECTED PART		1
-020A	7292810331		. WASHER POST ACR (AE 48591) SELECTED PART		1
-020B	7292810332		. WASHER POST ACR (AE 48591) SELECTED PART		1
-020C	7292810333		. WASHER POST ACR (AE 48591) SELECTED PART		1
030	0292810150		. LABYRINTH		1
050	0292817320		. WHEEL ASSY,POWER TURBINE PRE TU 023 (AE 45406)		1
-050A	0292817380		. WHEEL ASSY,POWER TURBINE PRE TU 084 (AE 47146) POST TU 023 (AE 45406)		1
-050B	0292817500		. WHEEL ASSY,POWER TURBINE POST TU 084 (AE 47146) PRE ACR (AE 120373)		1
-050C	0292810760		. WHEEL ASSY,POWER TURBINE POST ACR (AE 120373) REFER TO CHAP.72-54-10 FOR DETAILS		1
080	A17761-241-2		. SEGMENT - VK1209 (9560163940)		2
-100	-		. BEARING ASSY,POWER TURBINE NON PROCURABLE REFER TO CHAP.72-54-20 FOR DETAILS		1

- ITEM NOT ILLUSTRATED



MODULE, POWER TURBINE
Figure 01

SAFRAN HELICOPTER ENGINES

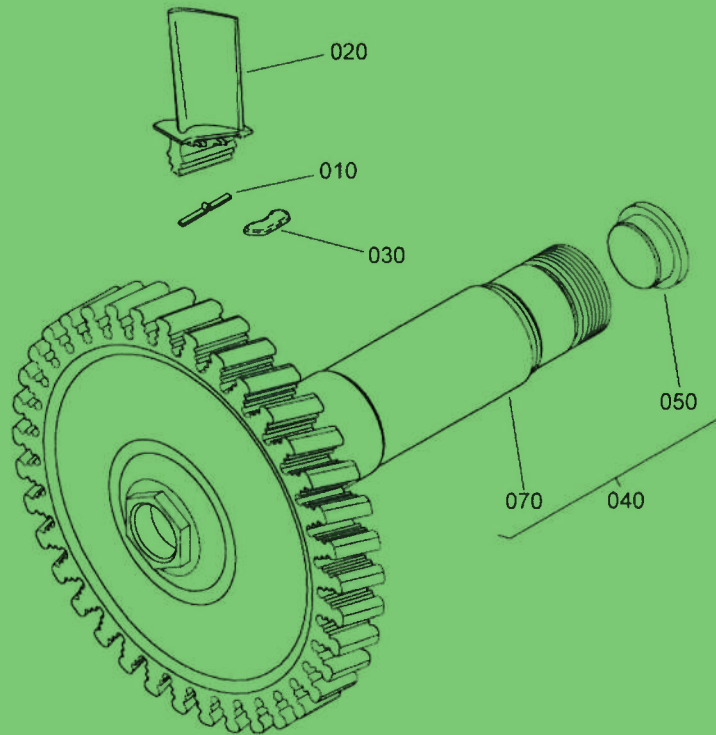
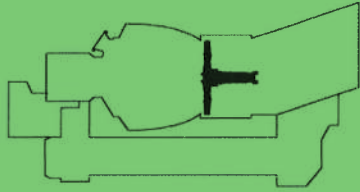
ARRIEL 2 C1

ILLUSTRATED PARTS CATALOG

FIGURE ITEM	PART NUMBER	AIRL. STOCK No.	DESCRIPTION	EFFECT	QTY
			1 2 3 4 5 6 7		
01					
-001	70BM041720		MODULE,POWER TURBINE REPAIRABLE REFER TO CHAP. 72-00-00 FIG.01 ITEM 050		RF
010	0292810450		. NUT,POWER TURBINE		1
020	0292810330		. WASHER SELECTED PART		1
-020A	7292810331		. WASHER POST ACR (AE 48591) SELECTED PART		1
-020B	7292810332		. WASHER POST ACR (AE 48591) SELECTED PART		1
-020C	7292810333		. WASHER POST ACR (AE 48591) SELECTED PART		1
030	0292810150		. LABYRINTH		1
050	0292817320		. WHEEL ASSY,POWER TURBINE PRE TU 023 (AE 45406)		1
-050A	0292817380		. WHEEL ASSY,POWER TURBINE PRE TU 084 (AE 47146) POST TU 023 (AE 45406)		1
-050B	0292817500		. WHEEL ASSY,POWER TURBINE POST TU 084 (AE 47146) REFER TO CHAP.72-54-10 FOR DETAILS		1
080	A17761-241-2		. SEGMENT - VK1209 (9560163940)		2
-100	-		. BEARING ASSY,POWER TURBINE NON PROCURABLE REFER TO CHAP.72-54-20 FOR DETAILS		1

- ITEM NOT ILLUSTRATED

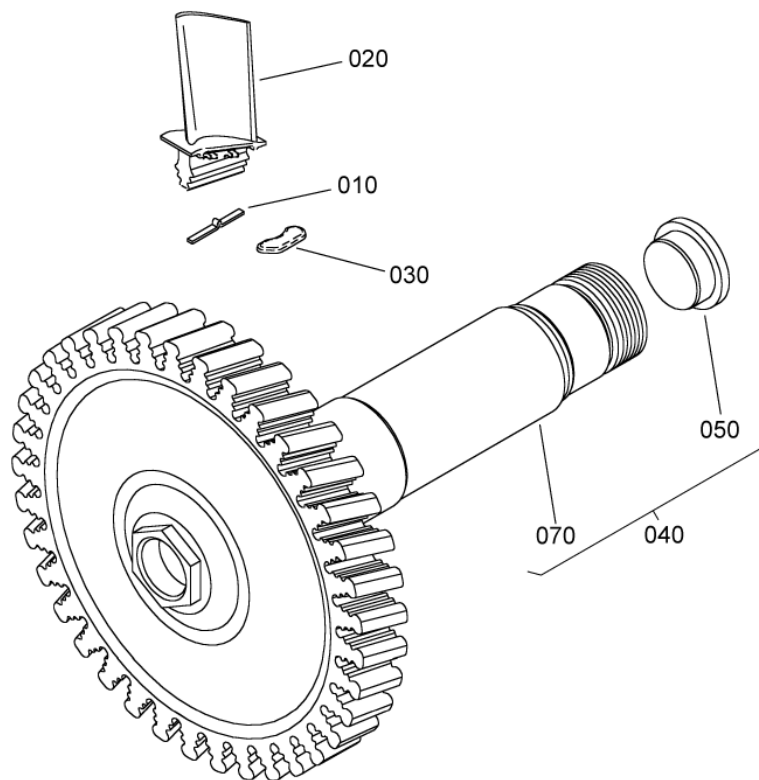
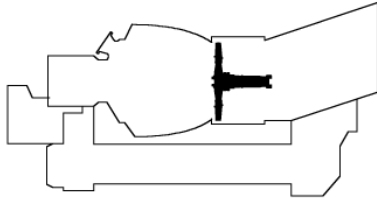
ARRIEL 2 C1



WHEEL ASSY,POWER TURBINE
Figure 01

FIGURE ITEM	PART NUMBER	AIRL. STOCK No.	DESCRIPTION	EFFECT	QTY
			1 2 3 4 5 6 7		
01					
-001	0292817320		WHEEL ASSY,POWER TURBINE PRE TU 023 (AE 45406)	a	RF
-001A	0292817380		WHEEL ASSY,POWER TURBINE PRE TU 084 (AE 47146)	b	RF
-001B	0292817500		POST TU 023 (AE 45406) WHEEL ASSY,POWER TURBINE POST TU 084 (AE 47146) REFER TO CHAP. 72-54-00 FIG.01 ITEM 050	c	RF
PRE ACR (AE 120373)					
-001C	0292810760		WHEEL ASSY,POWER TURBINE POST ACR (AE 120373) REFER TO CHAP.72-54-00 FIG.01 ITEM 050	d	RF
010	0292810130		LOCK		37
020	2292810430		BLADE,POWER TURBINE PRE ACR (AE 45826) SELECTED PART		37
-020A	2292810440		BLADE,POWER TURBINE PRE ACR (AE 45826) SELECTED PART		37
-020B	229281A010		BLADE,POWER TURBINE POST ACR (AE 45826)		37
030	0292810490		DAMPER		37
040	0292810510		WHEEL,POWER TURBINE PRE TU 023 (AE 45406)	a	1
-040A	0292810500		WHEEL,POWER TURBINE PRE TU 084 (AE 47146) POST TU 023 (AE 45406)	b	1
-040B	0292810480		WHEEL,POWER TURBINE POST TU 084 (AE 47146)	c	1
PRE ACR (AE 120373)					
-040C	0292810790		WHEEL,POWER TURBINE POST ACR (AE 120373)	d	1
050	2292800210		STOP		1
070	2292810310		DISK,POWER TURBINE PRE TU 023 (AE 45406)	a	1
-070A	2292810610		DISK,POWER TURBINE POST TU 023 (AE 45406) PRE TU 084 (AE 47146)	b	1
-070B	2292810790		DISK,POWER TURBINE POST TU 084 (AE 47146)	c	1
PRE ACR (AE 120373)					
-070C	2292810970		DISK,POWER TURBINE POST ACR (AE 120373)	d	1

- ITEM NOT ILLUSTRATED



WHEEL ASSY,POWER TURBINE
Figure 01

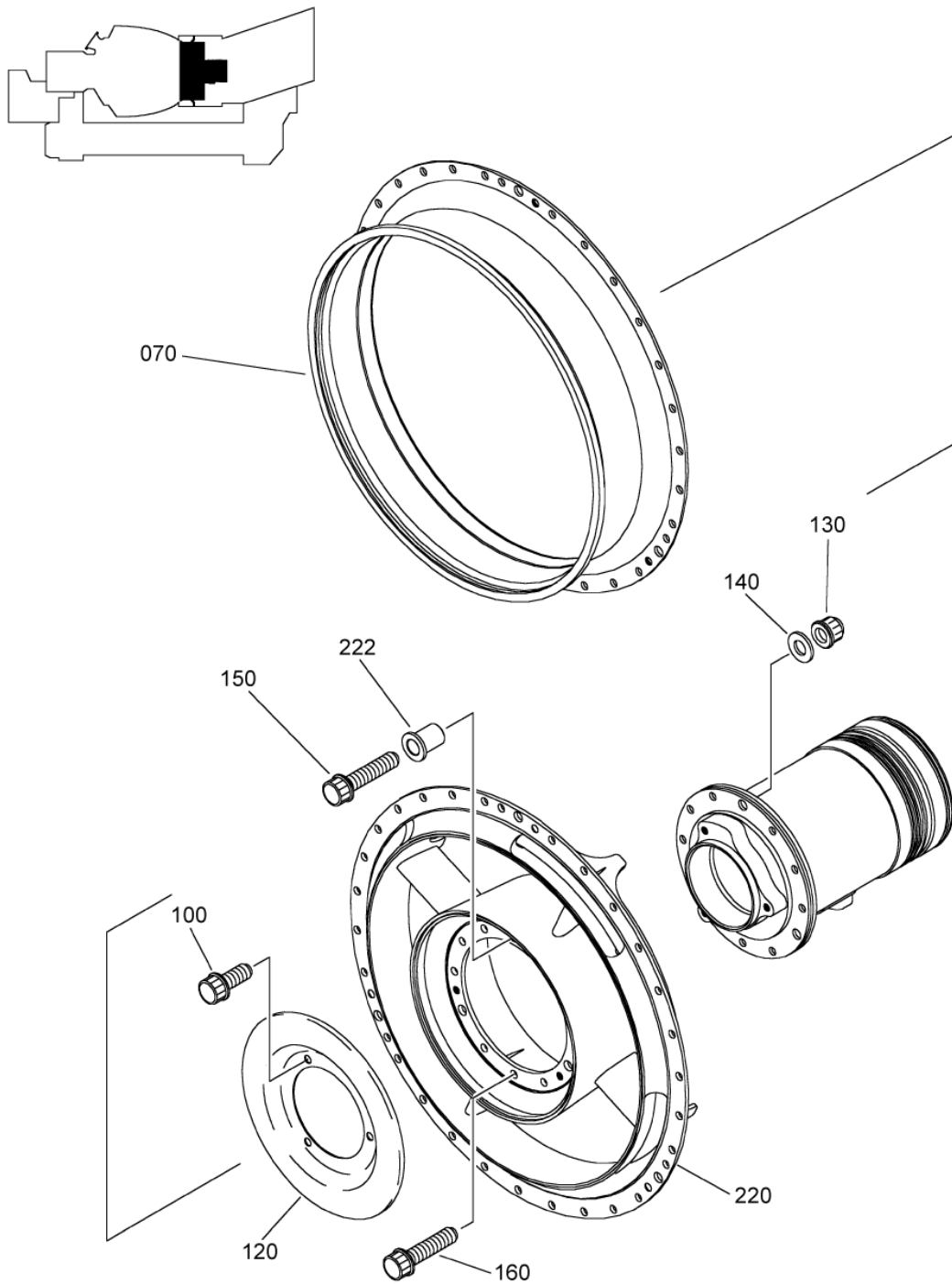
SAFRAN HELICOPTER ENGINES

ARRIEL 2 C1

ILLUSTRATED PARTS CATALOG

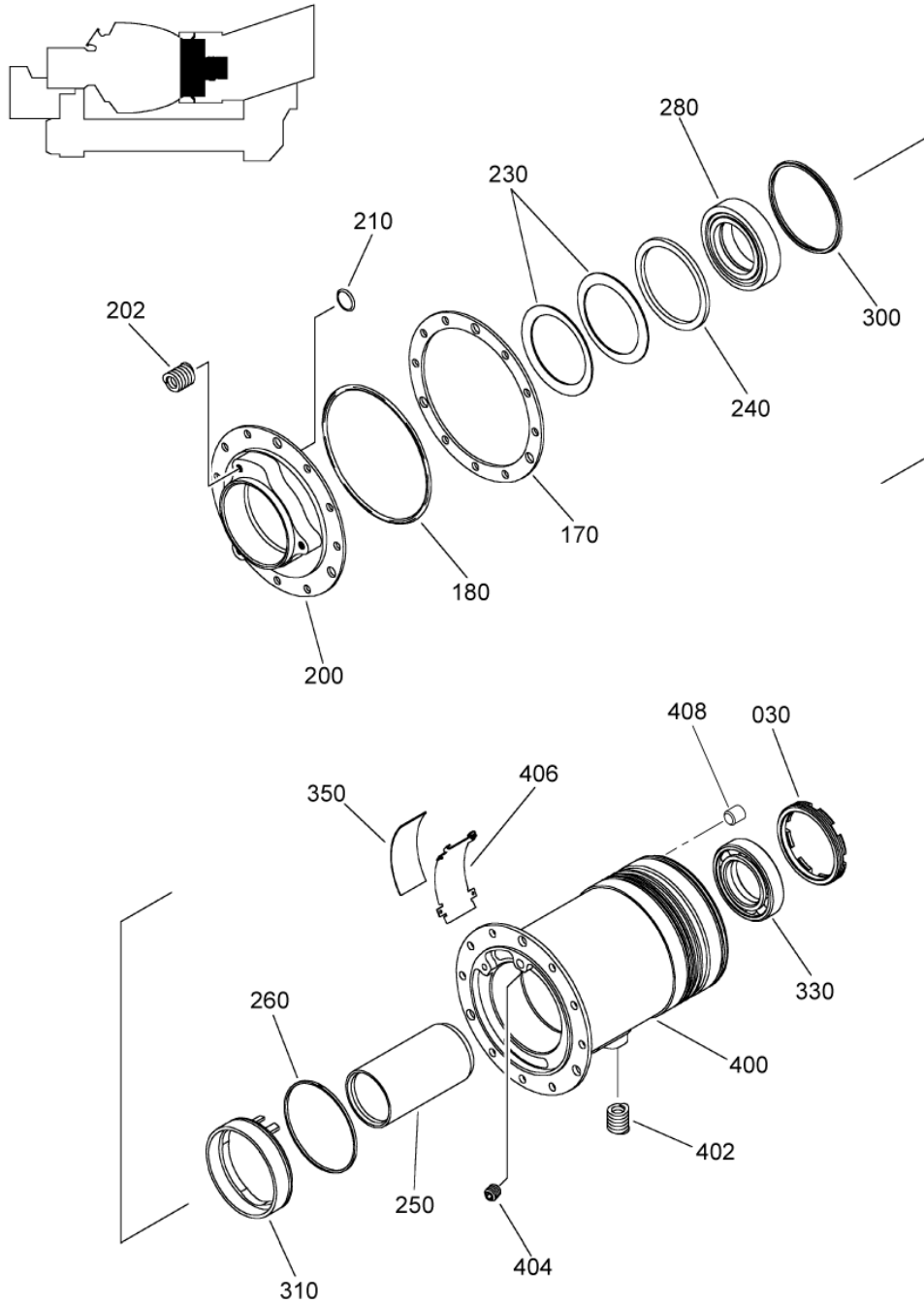
FIGURE ITEM	PART NUMBER	AIRL. STOCK No.	DESCRIPTION	EFFECT	QTY
			1 2 3 4 5 6 7		
01					
-001	0292817320		WHEEL ASSY,POWER TURBINE PRE TU 023 (AE 45406)	a	RF
-001A	0292817380		WHEEL ASSY,POWER TURBINE PRE TU 084 (AE 47146) POST TU 023 (AE 45406)	b	RF
-001B	0292817500		WHEEL ASSY,POWER TURBINE POST TU 084 (AE 47146) REFER TO CHAP. 72-54-00 FIG.01 ITEM 050	c	RF
010	0292810130		. LOCK		37
020	2292810430		. BLADE,POWER TURBINE PRE ACR (AE 45826) SELECTED PART		37
-020A	2292810440		. BLADE,POWER TURBINE PRE ACR (AE 45826) SELECTED PART		37
-020B	229281A010		. BLADE,POWER TURBINE POST ACR (AE 45826)		37
030	0292810490		. DAMPER		37
040	0292810510		. WHEEL,POWER TURBINE PRE TU 023 (AE 45406)		1
-040A	0292810500		. WHEEL,POWER TURBINE PRE TU 084 (AE 47146) POST TU 023 (AE 45406)		1
-040B	0292810480		. WHEEL,POWER TURBINE POST TU 084 (AE 47146)		1
050	2292800210		. . STOP		1
070	2292810310		. . DISK,POWER TURBINE PRE TU 023 (AE 45406)		1
-070A	2292810610		. . DISK,POWER TURBINE POST TU 023 (AE 45406) PRE TU 084 (AE 47146)		1
-070B	2292810790		. . DISK,POWER TURBINE POST TU 084 (AE 47146)		1

- ITEM NOT ILLUSTRATED



BEARING ASSY, POWER TURBINE
Figure 01 (Sheet 1/2)

PAGE LEFT BLANK INTENTIONALLY



BEARING ASSY,POWER TURBINE
Figure 01 (Sheet 2/2)

SAFRAN HELICOPTER ENGINES

ARRIEL 2 C1

ILLUSTRATED PARTS CATALOG

FIGURE ITEM	PART NUMBER	AIRL. STOCK No.	DESCRIPTION	EFFECT	QTY
			1 2 3 4 5 6 7		
01					
-001	-		BEARING ASSY,POWER TURBINE NON PROCURABLE REFER TO CHAP. 72-54-00 FIG.01 ITEM 100		RF
030	9880054025		. NUT		1
070	0292810540		. SHROUD,POWER TURBINE PRE TU 006A (AE 44632 AVT 2) PRE TU 014A (AE 45384 AVT 4)		1
-070A	0292810550		. SHROUD,POWER TURBINE POST TU 006A (AE 44632 AVT 2) PRE ACR (AE 49127)		1
-070B	0292810860		. SHROUD,POWER TURBINE NON PROCURABLE POST ACR (AE 49127) PRE TU215 (AE 95786)		1
-070C	0292810600		. SHROUD,POWER TURBINE POST TU 014A (AE 45384 AVT 4)		1
-070D	0292810540		. SHROUD,POWER TURBINE POST TU 021 (AE 45719) ALTERNATE ITEM 070A		1
-070E	0292810650		. SHROUD,POWER TURBINE POST TU215 (AE 95786)		1
100	EN3686050012		. SCREW - VI9005 (9836405012)		3
120	0292810180		. DEFLECTOR		1
130	9866205026		. NUT 9866205026 IS THE SAFRAN HE PART NUMBER FOR: VF0111 - 22526-050 VI9005 - EN2906-050		12
140	23112CF050		. WASHER - VF0111 (9975050024)		3
150	EN3686050022		. SCREW - VI9005 (9836405022)		3
160	EN3686050020		. SCREW - VI9005 (9836405020)		9
170	0292810190		. WASHER,ADJUSTING		1
180	19637		. SEAL,METALLIC - V04319 (9560160280)		1
200	0292817270		. RING,LABYRINTH POST TU 046A BECOMES ITEM 200A PRE TU 046A (AE 47031)		1
-200A	0292817420		. RING,LABYRINTH POST TU 046A (AE 47031) RETROFIT ITEM 200 POST TU 059A BECOMES ITEM 200C PRE TU 059A (AE 47448)		1
-200B	0292817460		. RING,LABYRINTH POST TU 059A (AE 47448) PRE TU213 (AE 117359)		1
-200C	0292817450		. RING,LABYRINTH POST TU 059A (AE 47448) RETROFIT ITEM 200A PRE TU213 (AE 117359) ALTERNATE ITEM 200B		1
-200D	0292810700		. RING,LABYRINTH POST TU213 (AE 117359)		1

- ITEM NOT ILLUSTRATED

SAFRAN HELICOPTER ENGINES

ARRIEL 2 C1

ILLUSTRATED PARTS CATALOG

FIGURE ITEM	PART NUMBER	AIRL. STOCK No.	DESCRIPTION	EFFECT	QTY
			1 2 3 4 5 6 7		
01					
202	EN2944-050100		. . THREAD,INSERT - VI9005 (9728050804)		3
210	76783-02		. SEAL - V04319 (9560126950)		1
220	0292817300		. SUPPORT,BEARING,POWER TURBINE PRE ACR (AE 44999)		1
-220A	0292817350		. SUPPORT,BEARING,POWER TURBINE POST ACR (AE 44999)		1
222	0292810200		. . SLEEVE		3
230	0000420170		. WASHER,SPRING PRE ACR (AE 44940)		2
-230A	0000420190		. WASHER,SPRING POST ACR (AE 44940) PRE TU216 (AE 97732)		2
-230B	0000420230		. WASHER,SPRING POST TU216 (AE 97732)		2
240	0292810340		. WASHER PRE TU 146A (AE 62501) PRE ACR (AE 48592) SELECTED PART		1
-240A	7292810341		. WASHER PRE TU 146A (AE 62501) POST ACR (AE 48592) SELECTED PART		1
-240B	7292810342		. WASHER PRE TU 146A (AE 62501) POST ACR (AE 48592) SELECTED PART		1
-240C	7292810343		. WASHER PRE TU 146A (AE 62501) POST ACR (AE 48592) SELECTED PART		1
-240D	7292810344		. WASHER PRE TU 146A (AE 62501) POST ACR (AE 48592) SELECTED PART		1
240E	0292810010		. WASHER POST TU 146A (AE 62501)		1
250	0292810320		. SPACER		1
260	9560165860		. SEGMENT 9560165860 IS THE SAFRAN HE PART NUMBER FOR: VF2569 - R-61,5X1,75X2,3-SV-KI-P		1
280	9609000554		. BEARING,FRONT,POWER TURBINE 9609000554 IS THE SAFRAN HE PART NUMBER FOR: VF0771 - SPB35/6 07RH3SA30		1
300	236105		. SEAL - VFB797 (9560165550)		1
310	0292810360		. RING		1
330	9609000166		. BEARING,REAR,POWER TURBINE 9609000166 IS THE SAFRAN HE PART NUMBER FOR: VF0771 - SPX30/3-07RH3SA22		1
350	0000840230		. PLATE,IDENTIFICATION		1

- ITEM NOT ILLUSTRATED

SAFRAN HELICOPTER ENGINES

ARRIEL 2 C1

ILLUSTRATED PARTS CATALOG

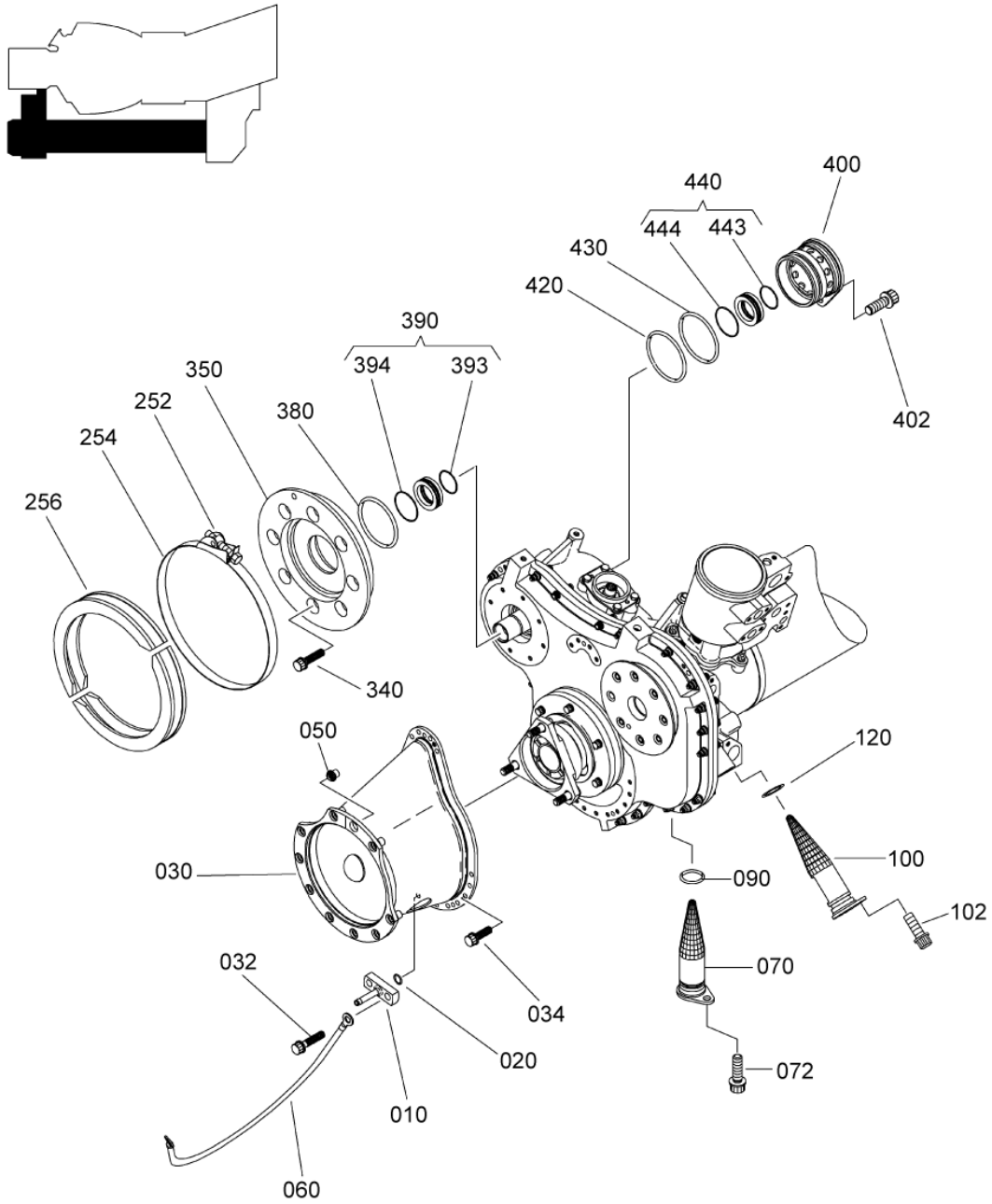
FIGURE ITEM	PART NUMBER	AIRL. STOCK No.	DESCRIPTION	EFFECT	QTY
			1 2 3 4 5 6 7		
01					
-350A	0000840440		. PLATE,IDENTIFICATION PRE ACR (AE 83183)		1
400	0292817260		. BEARING,POWER TURBINE,ASSY		1
402	EN3542-050075		. . THREAD,INSERT - V19005 (9729105083)		2
404	9898330100		. . JET		2
406	0000840220		. . SLIDE		1
408	9897100500		. . PLUG		1

- ITEM NOT ILLUSTRATED

DETAILED PART LIST

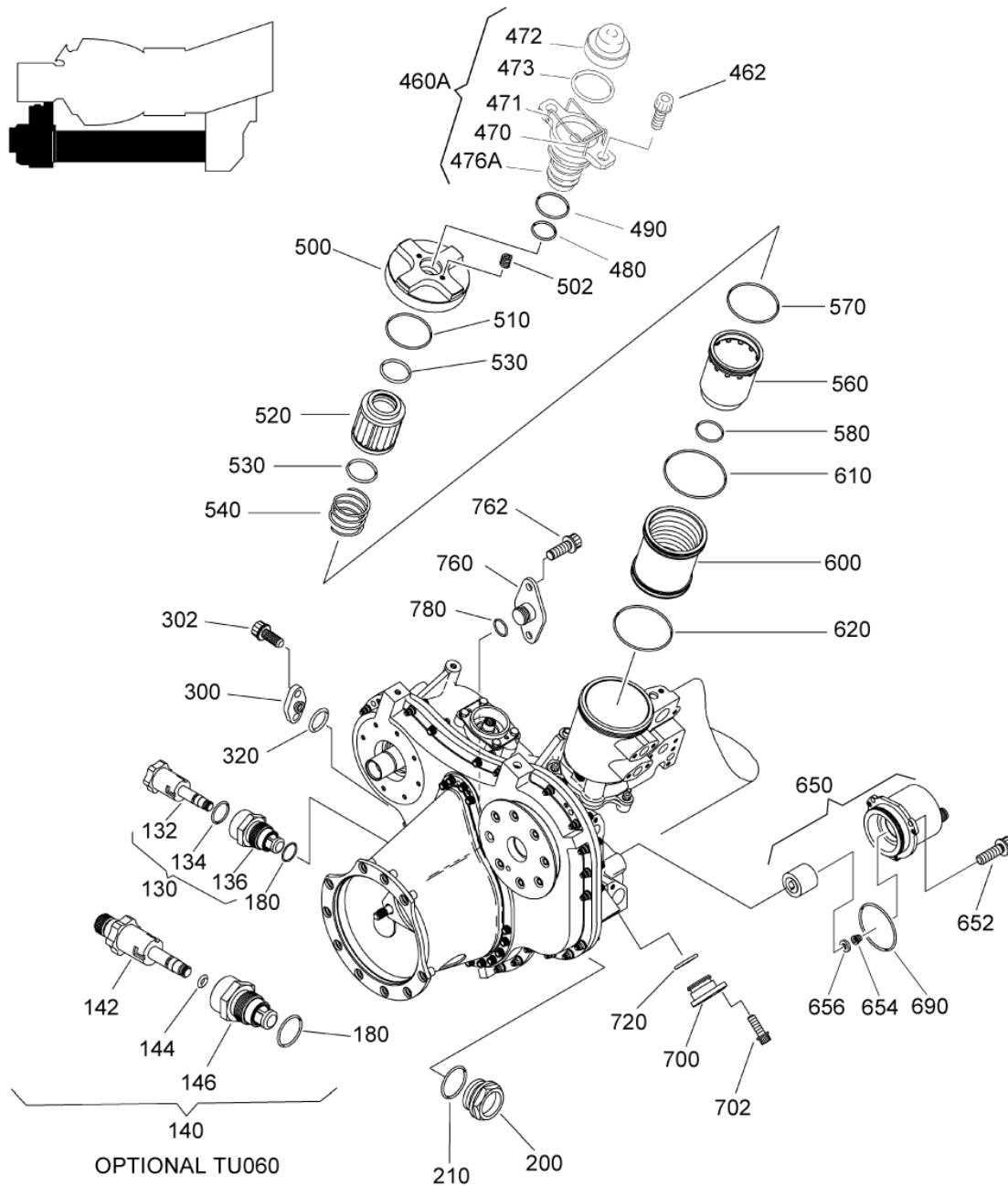
ACCESSORY DRIVES

72-60-00



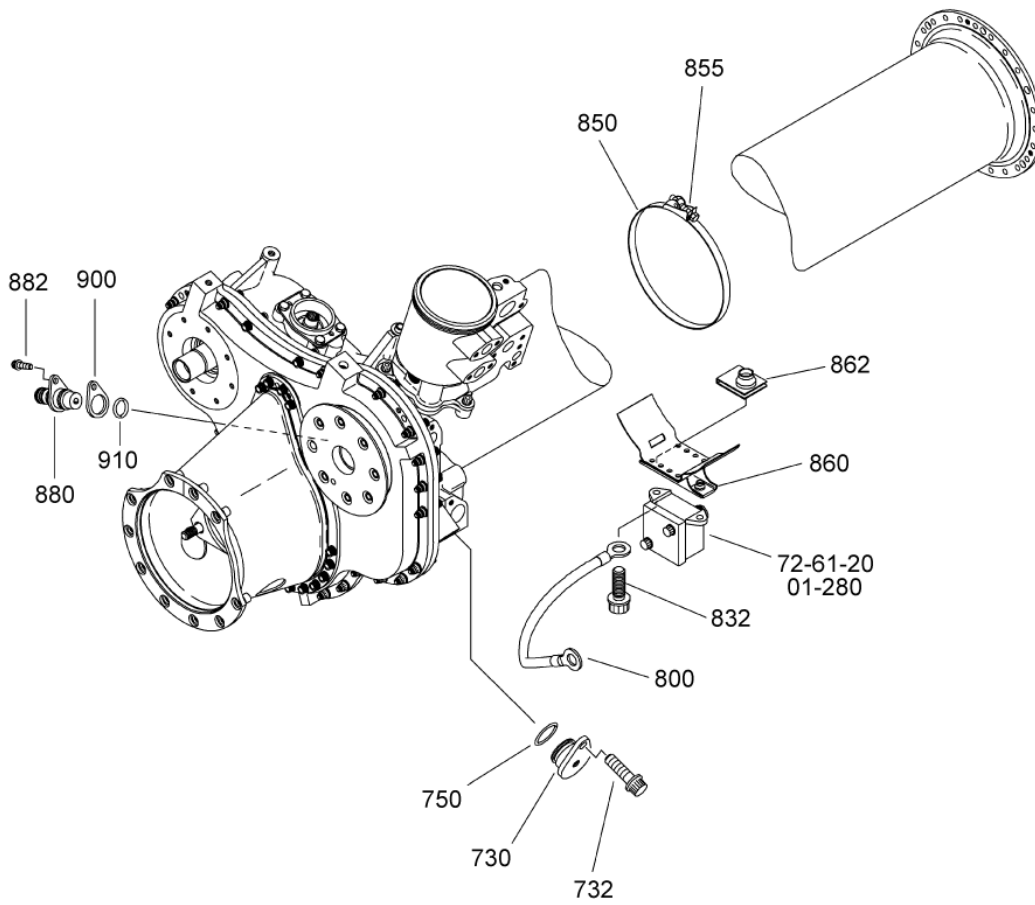
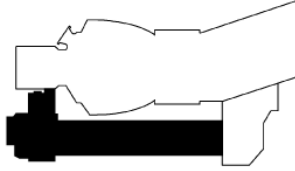
MODULE,ACCESSORY GEARBOX
Figure 01 (Sheet 1/3)

PAGE LEFT BLANK INTENTIONALLY



MODULE, ACCESSORY GEARBOX
Figure 01 (Sheet 2/3)

PAGE LEFT BLANK INTENTIONALLY



MODULE,ACCESSORY GEARBOX
Figure 01 (Sheet 3/3)

SAFRAN HELICOPTER ENGINES

ARRIEL 2 C1

ILLUSTRATED PARTS CATALOG

FIGURE ITEM	PART NUMBER	AIRL. STOCK No.	DESCRIPTION	EFFECT	QTY
			1 2 3 4 5 6 7		
01					
-001	70BM011720		MODULE,ACCESSORY GEARBOX REPAIRABLE REFER TO CHAP. 72-00-00 FIG.01 ITEM 020		RF
010	0301020270		. FLANGE,DRAINING		1
020	9681500504		. PACKING,PREFORMED		1
030	0292117250		. SUPPORT,FRONT PRE TU 073 (AE 48008)		1
-030A	0292117300		. SUPPORT,FRONT POST TU 073 (AE 48008)		1
			ATTACHING PARTS		
032	EN3686050022		. SCREW - VI9005 (9836405022)		2
034	EN3686050016		. SCREW - VI9005 (9836405016) ***		17
050	EN3014-070		. . NUT - VI9005 (9867400070)		10
060	0084117120		. BONDING BRAID		1
070	0292107650		. STRAINER		1
			ATTACHING PARTS		
072	EN3686050014		. SCREW - VI9005 (9836405014) ***		1
090	9682001372		. PACKING,PREFORMED		1
100	0292127140		. STRAINER		1
			ATTACHING PARTS		
102	EN3686050014		. SCREW - VI9005 (9836405014) ***		1
120	9682001372		. PACKING,PREFORMED		1
130	32059001		. MAGNETIC PLUG,MECHANICAL - VFA3W9 (9560171170) NON REPAIRABLE POST TU 068A (AE 49065)		1
132	32069101		. . HEAD,MAGNETIC - VFA3W9 (9520011655) POST TU 068A (AE 49065) REFER TO ACMMB FOR DETAILS		1
134	46012A00750		. . PACKING,PREFORMED - VF0111 (9794410075) POST TU 068A (AE 49065)		1
136	32059101		. . RECEPTACLE - VFA3W9 (9520011653) POST TU 068A (AE 49065)		1
140	BM1026		. MAGNETIC PLUG,ELECTRICAL - VFA3W9 (9550177210) NON REPAIRABLE POST TU 060 (AE 47237) OPTIONAL		1
142	BM1026100		. . HEAD,MAGNETIC - VFA3W9 (9520011649) POST TU 060 (AE 47237)		1
144	46012A00600		. . PACKING,PREFORMED - VF0111 (9794410060) POST TU 060 (AE 47237)		1
146	BM1026200		. . RECEPTACLE - VFA3W9 (9520011648) POST TU 060 (AE 47237)		1

- ITEM NOT ILLUSTRATED

SAFRAN HELICOPTER ENGINES

ARRIEL 2 C1

ILLUSTRATED PARTS CATALOG

FIGURE ITEM	PART NUMBER	AIRL. STOCK No.	DESCRIPTION	EFFECT	QTY
			1 2 3 4 5 6 7		
01					
-150	OLVB6946		. MAGNETIC PLUG,MECHANICAL - VK0624 (9560130450) NON REPAIRABLE PRE TU 068A (AE 49065)		1
-160	9681801082		. PACKING,PREFORMED PRE TU 068A (AE 49065)		2
-170	OLVB3419		. PLUG,BASE - VK0624 (9560130460) PRE TU 068A (AE 49065)		1
180	9794190253		. PACKING,PREFORMED		1
200	9892100070		. PLUG		1
210	9794190253		. PACKING,PREFORMED		1
-250	0268987050		. COLLAR ASSY PRE ACR (AE 45854 AVT 2)		1
-250A	0268987150		. COLLAR ASSY POST ACR (AE 45854 AVT 2)		1
252	23350CA050		. . LOCK - VF0111 (9998050021)		1
254	9560114630		. . COLLAR - VF0215 (9560114630) PART OF ITEM 250		1
-254A	9560169680		. . COLLAR - VF0215 (9560169680) PART OF ITEM 250A		1
256	0268980110		. . HALF COLLAR		2
300	9943800060		. BLANK		1
			ATTACHING PARTS		
302	EN3686050016		. SCREW - VI9005 (9836405016) ***		2
320	46012A00560		. PACKING,PREFORMED - VF0111 (9794410056)		1
340	EN3686050020		. SCREW - VI9005 (9836405020)		8
350	0292102010		. ADAPTOR,DYNASTART		1
-350A	0292121160		. ADAPTOR,DYNASTART ALTERNATE ITEM 350		1
380	9682004004		. PACKING,PREFORMED		1
390	71075-1		. SEAL ASSY,MAGNETIC - V04171 (9560115450)		1
393	021-517		. . PACKING,PREFORMED - V04171 (9560116010)		1
394	026-517		. . PACKING,PREFORMED - V04171 (9560116020)		1
400	0292121110		. COVER,BREATHER PRE ACR (AE 49462)		1
-400A	0292121100		. COVER,BREATHER PRE ACR (AE 49462)		1
-400B	0292121340		. COVER,BREATHER POST ACR (AE 49462)		1
			ATTACHING PARTS		
402	EN3686050014		. SCREW - VI9005 (9836405014) ***		1
420	46012A03550		. PACKING,PREFORMED - VF0111 (9794410355)		1
430	46012A03650		. PACKING,PREFORMED - VF0111 (9794410365)		1
440	71075-1		. SEAL ASSY,MAGNETIC - V04171 (9560115450)		1
443	021-517		. . PACKING,PREFORMED - V04171 (9560116010)		1
444	026-517		. . PACKING,PREFORMED - V04171 (9560116020)		1

- ITEM NOT ILLUSTRATED

SAFRAN HELICOPTER ENGINES

ARRIEL 2 C1

ILLUSTRATED PARTS CATALOG

FIGURE ITEM	PART NUMBER	AIRL. STOCK No.	DESCRIPTION	EFFECT	QTY
			1 2 3 4 5 6 7		
01					
-460	JA00623A		. INDICATOR,VISUAL,PRE-BLOCKAGE,FILTER - VF0559 (9560167310) NON REPAIRABLE PRE TU 078A (AE 48997) USE WITH ITEM 990		1
460A	JA00875A		. INDICATOR,VISUAL,PRE-BLOCKAGE,FILTER - VF0559 (9560168040) NON REPAIRABLE POST TU 078A (AE 48997) USE WITH ITEM 990A		1
462	EN3686050012		ATTACHING PARTS . SCREW - VI9005 (9836405012) ***		2
470	07550200106559A		. . HOOK - VF0559 (9520011819)		1
471	07550200105559A		. . RING,RETAINING - VF0559 (9520011820)		1
472	PAO 1583 A		. . COVER,TRANSPARENT - VF0559 (9520011817)		1
473	9520011818		. . PACKING,PREFORMED 9520011818 IS THE SAFRAN HE PART NUMBER FOR: VF0559 - AJ-0187701780EAO		1
-473A	46012A01800		. . PACKING,PREFORMED - VF0111 (9794410180) ALTERNATE ITEM 473		1
-476	JA02053A		. . INDICATOR,FILTER PRE-BLOCKAGE - VF0559 (9520011823) PART OF ITEM 460		1
476A	JAO2055A		. . INDICATOR,FILTER PRE-BLOCKAGE - VF0559 (9520011825) PART OF ITEM 460A REFER TO ACMMB FOR DETAILS		1
480	46012A01250		. PACKING,PREFORMED - VF0111 (9794410125)		1
490	46012A01800		. PACKING,PREFORMED - VF0111 (9794410180)		1
500	0292127460		. COVER,OIL FILTER		1
502	EN2944-050075		. . THREAD,INSERT - VI9005 (9728050803)		2
510	46012B04000		. PACKING,PREFORMED - VF0111 (9794420400)		1
520	CA00525A		. ELEMENT,FILTERING - VF0559 (9560166860) NON REPAIRABLE		1
530	46012C02500		. PACKING,PREFORMED - VF0111 (9794430250)		2
540	0292120800		. SPRING		1
560	0292120770		. DISTRIBUTOR,OIL		1
570	46012B04870		. PACKING,PREFORMED - VF0111 (9794420487)		1
580	46012B02360		. PACKING,PREFORMED - VF0111 (9794420236)		1
600	0292120950		. EXCHANGER		1
610	46012B05800		. PACKING,PREFORMED - VF0111 (9794420580)		1
620	46012B05600		. PACKING,PREFORMED - VF0111 (9794420560)		1
650	9296-1		. ALTERNATOR - VF7926 (9550171410) NON REPAIRABLE		1
-650A	9296-2		. ALTERNATOR - VF7926 (9550002100) NON REPAIRABLE POST ACR (AE 64613) ALTERNATE ITEM 650		1

- ITEM NOT ILLUSTRATED

SAFRAN HELICOPTER ENGINES

ARRIEL 2 C1

ILLUSTRATED PARTS CATALOG

FIGURE ITEM	PART NUMBER	AIRL. STOCK No.	DESCRIPTION	EFFECT	QTY
			1 2 3 4 5 6 7		
01 -650B	93661-1		. ALTERNATOR - V02101 (9421003500) NON REPAIRABLE POST ACR (AE 64613) ALTERNATE ITEM 650 REFER TO ACMMB FOR DETAILS ATTACHING PARTS		1
652	EN3686050016		. SCREW - VI9005 (9836405016)		3
654	EN 2907-050		. NUT - VI9005 (9866205025)		1
656	0000411870		. WASHER ***		1
690	46012A05000		. PACKING,PREFORMED - VF0111 (9794410500)		1
700	0319140620		. PLUG ATTACHING PARTS		1
702	EN3686050014		. SCREW - VI9005 (9836405014) ***		1
720	46012A01400		. PACKING,PREFORMED - VF0111 (9794410140)		1
730	0319140620		. PLUG ATTACHING PARTS		1
732	EN3686050014		. SCREW - VI9005 (9836405014) ***		1
750	46012A01400		. PACKING,PREFORMED - VF0111 (9794410140)		1
760	0292120940		. PLUG PRE ACR (AE 45451) ATTACHING PARTS		1
762	EN3686050014		. SCREW - VI9005 (9836405014) PRE ACR (AE 45451) ***		2
-780	46012A00950		. PACKING,PREFORMED - VF0111 (9794410095) PRE ACR (AE 45451)		1
800	0294747000		. BONDING BRAID		1
832	EN3686050014		. SCREW - VI9005 (9836405014)		2
850	8TX200BS		. CLAMP,COLLAR - VF0215 (9560130220)		1
855	23350CA050		. LOCK - VF0111 (9998050021)		1
860	0292767020		. SUPPORT		1
862	EN3240-050		. . NUT - VI9005 (9867700050)		2
880	1409-000		. SENSOR,SPEED - VF1976 (9550165760) NON REPAIRABLE PRE ACR (AE 47162) PRE ACR (AE 47358)		1
-880A	1604-300		. SENSOR,SPEED - VF1976 (9550177390) NON REPAIRABLE PRE ACR (AE 50610) POST ACR (AE 47358)		1

- ITEM NOT ILLUSTRATED

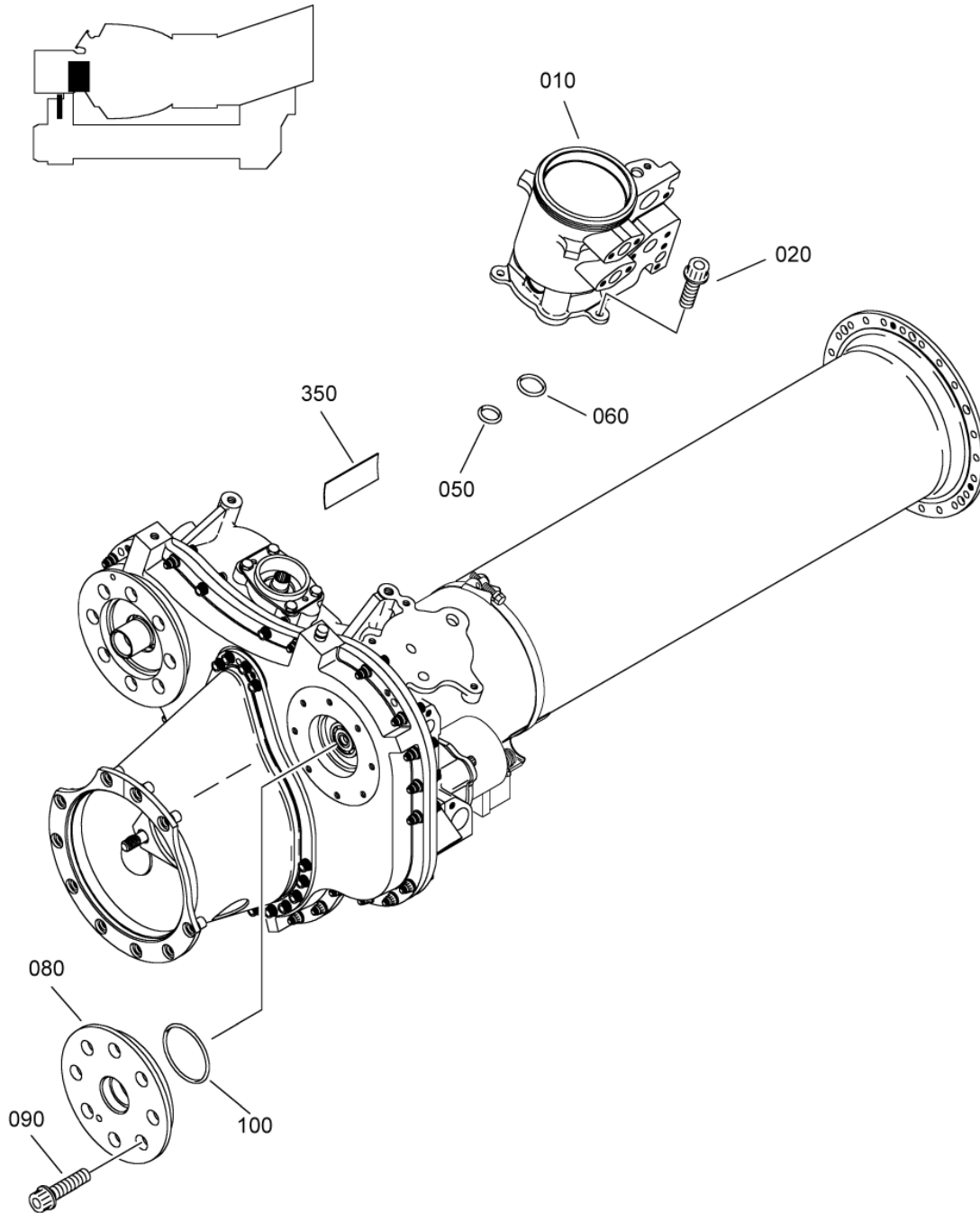
SAFRAN HELICOPTER ENGINES

ARRIEL 2 C1

ILLUSTRATED PARTS CATALOG

FIGURE ITEM	PART NUMBER	AIRL. STOCK No.	DESCRIPTION	EFFECT	QTY
			1 2 3 4 5 6 7		
01 -880B	1604300-01		. SENSOR,SPEED - VF1976 (9550179190) NON REPAIRABLE NON PROCURABLE POST ACR (AE 50610)		1
-880C	VIT7100040		. SENSOR,SPEED - VF6840 (9550175810) NON REPAIRABLE POST ACR (AE 47162) REFER TO ACMMB FOR DETAILS		1
882	EN3686050014		ATTACHING PARTS . SCREW - VI9005 (9836405014) ***		1
900	28460		. SHIM,PEEL - VF0183 (9560167230)		1
910	46012A01400		. PACKING,PREFORMED - VF0111 (9794410140)		1
940	0319140620		. PLUG		1
942	EN3686050014		ATTACHING PARTS . SCREW - VI9005 (9836405014) ***		1
960	46012A01400		. PACKING,PREFORMED - VF0111 (9794410140)		1
-990	-		. MODULE,ACCES. GEARBOX,UNDRESSED NON PROCURABLE PRE TU 078A (AE 48997) USE WITH ITEM 460		1
-990A	-		. MODULE,ACCES. GEARBOX,UNDRESSED NON PROCURABLE POST TU 078A (AE 48997) USE WITH ITEM 460A REFER TO FIG.02 FOR DETAILS		1

- ITEM NOT ILLUSTRATED



MODULE,ACCES. GEARBOX,UNDRESSED
Figure 02

TURBOMECA ARRIEL 2 C1

ILLUSTRATED PARTS CATALOG

FIGURE ITEM	PART NUMBER	AIRL. STOCK No.	DESCRIPTION	EFFECT	QTY
			1 2 3 4 5 6 7		
02					
-001	-		MODULE,ACCES. GEARBOX,UNDRESSED NON PROCURABLE PRE TU 078A (AE 48997)	a	RF
-001A	-		MODULE,ACCES. GEARBOX,UNDRESSED NON PROCURABLE POST TU 078A (AE 48997) REFER TO FIG. 01 ITEM 990	b	RF
010	0292127400		. BASE PLATE ASSY,FILTER PRE TU 078A (AE 48997)	a	1
-010A	0292127890		. BASE PLATE ASSY,FILTER POST TU 078A (AE 48997) REFER TO CHAP.72-61-40 FOR DETAILS	b	1
020	EN3686050016		ATTACHING PARTS . SCREW - VI9005 (9836405016) ***		3
050	46012A01400		. PACKING,PREFORMED - VF0111 (9794410140)		1
060	46012A01800		. PACKING,PREFORMED - VF0111 (9794410180)		1
080	0292120620		. ADAPTOR,FCU		1
090	EN3686050020		ATTACHING PARTS . SCREW - VI9005 (9836405020) ***		8
100	9682004403		. PACKING,PREFORMED		1
-150	-		. INST.,POWER SHAFT NON PROCURABLE REFER TO CHAP.72-61-20 FOR DETAILS		1
-200	-		. INST.,TUBE,JUNCTION NON PROCURABLE REFER TO CHAP.72-61-10 FOR DETAILS		1
-250	-		. INST.,GEARS NON PROCURABLE REFER TO CHAP.72-61-30 FOR DETAILS		1
-300	0292127360		. CASINGS,ASSEMBLED PRE ACR (AE 45451) POST TU194 (AE 103512) BECOMES ITEM 300D		1
-300A	0292127720		. CASINGS,ASSEMBLED PRE ACR (AE 87151) POST ACR (AE 45451) POST TU194 (AE 103512) BECOMES ITEM 300E		1
-300B	0292121490		. CASINGS,ASSEMBLED POST ACR (AE 87151) PRE TU194 (AE 103512)		1
-300C	0292121530		. CASINGS,ASSEMBLED POST TU194 (AE 103512)		1
-300D	729212736A		. CASINGS,ASSEMBLED POST TU194 (AE 103512) RETROFIT ITEM 300		1

- ITEM NOT ILLUSTRATED

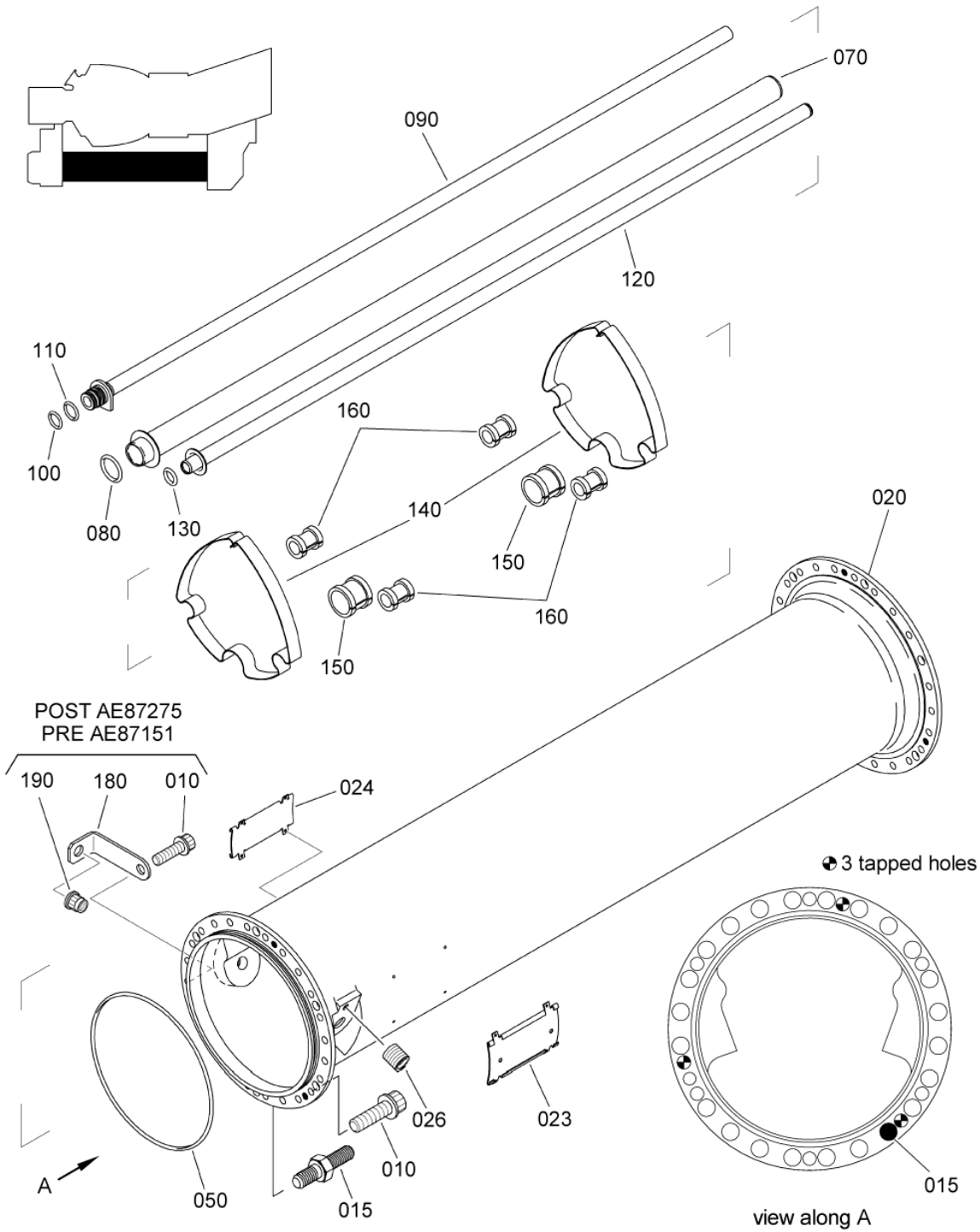
TURBOMECA ARRIEL 2 C1

ILLUSTRATED PARTS CATALOG

FIGURE ITEM	PART NUMBER	AIRL. STOCK No.	DESCRIPTION	EFFECT	QTY
			1 2 3 4 5 6 7		
02 -300E	729212772A		. CASINGS,ASSEMBLED POST TU194 (AE 103512) RETROFIT ITEM 300A REFER TO CHAP.72-61-50 FOR DETAILS		1
350	0000840230		. PLATE,IDENTIFICATION		1

- ITEM NOT ILLUSTRATED

PAGE LEFT BLANK INTENTIONALLY



INST.,TUBE,JUNCTION
Figure 01

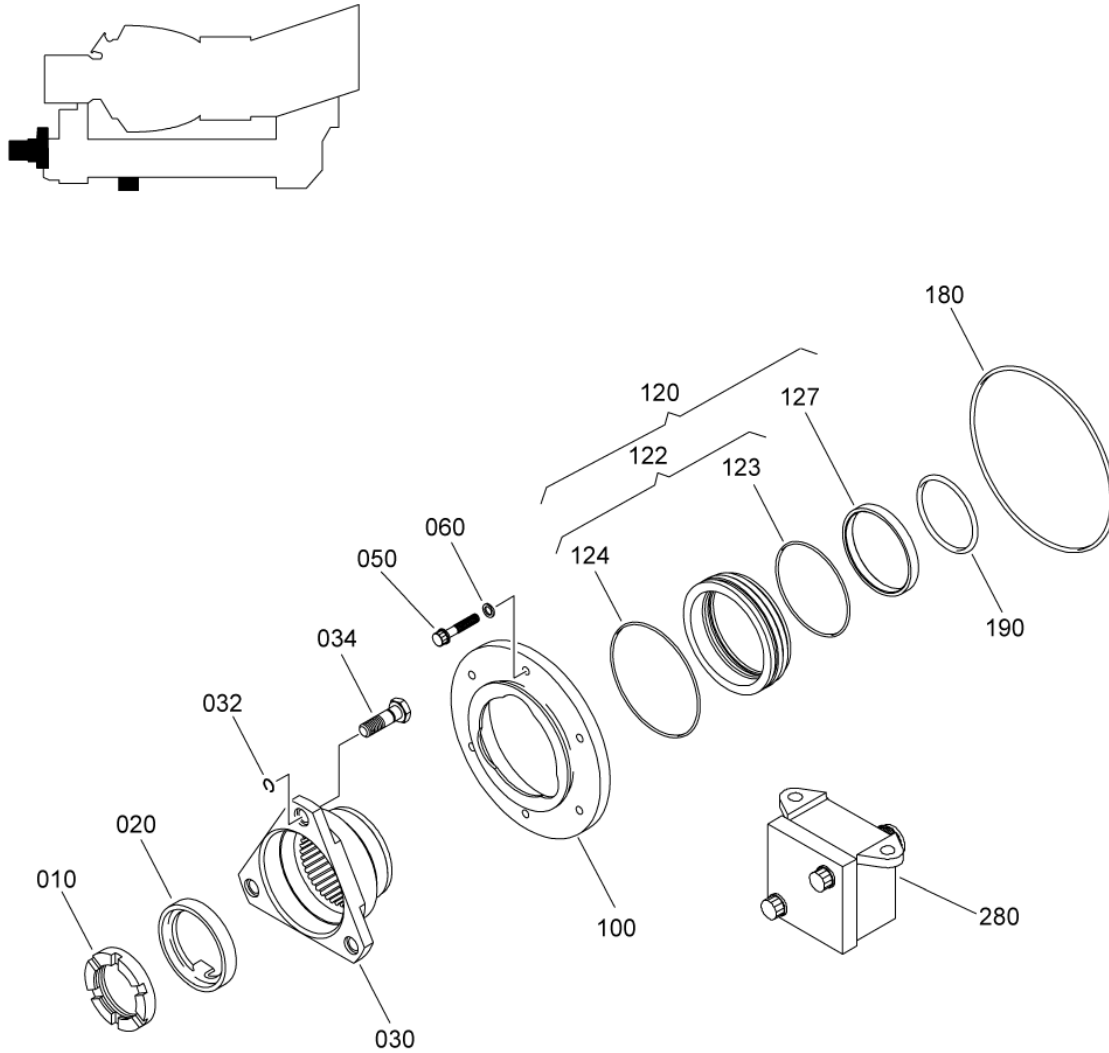
SAFRAN HELICOPTER ENGINES

ARRIEL 2 C1

ILLUSTRATED PARTS CATALOG

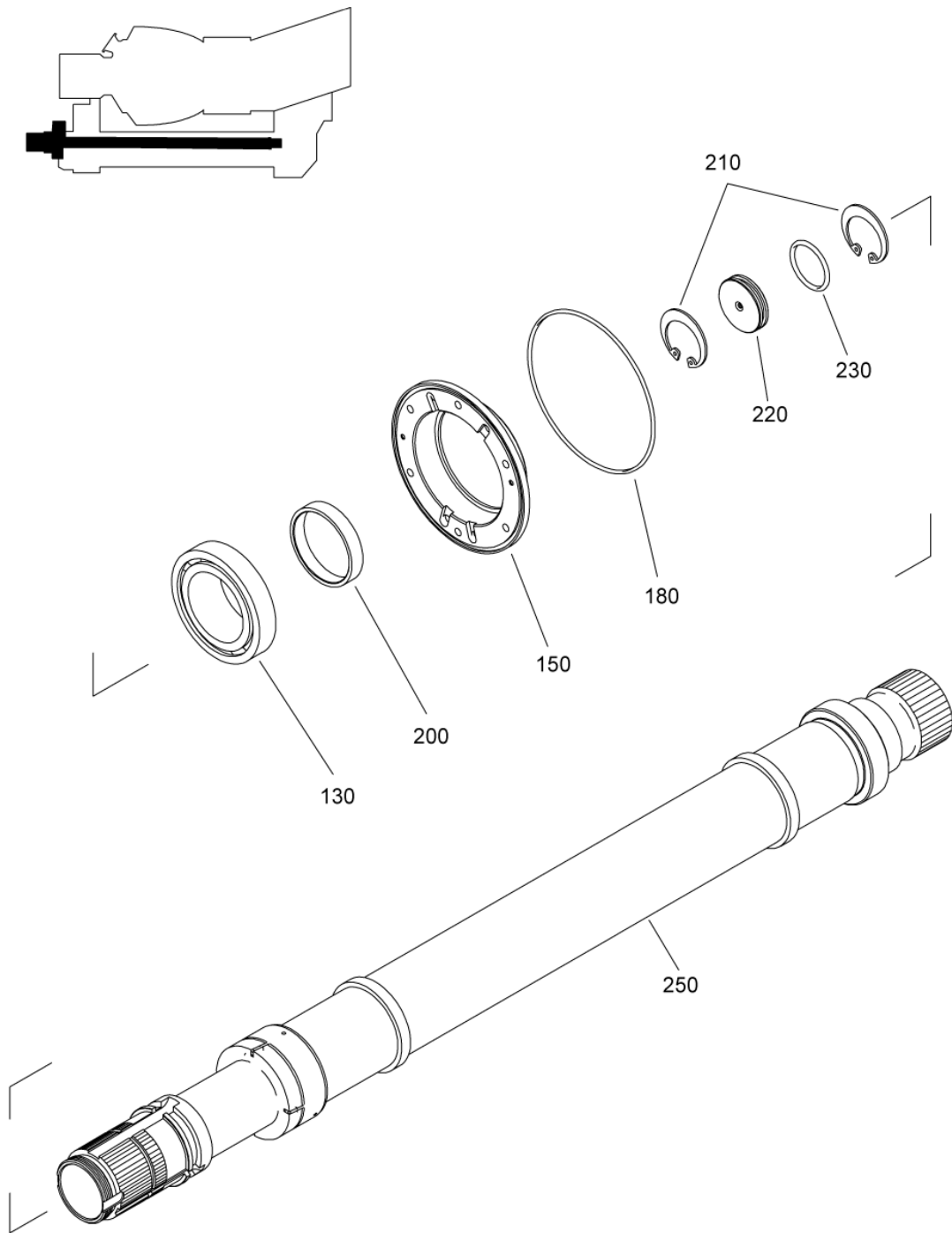
FIGURE ITEM	PART NUMBER	AIRL. STOCK No.	DESCRIPTION	EFFECT	QTY
			1 2 3 4 5 6 7		
01					
-001	-		INST.,TUBE,JUNCTION NON PROCURABLE REFER TO CHAP. 72-61-00 FIG.02 ITEM 200		RF
010	EN3686050016		. SCREW - VI9005 (9836405016)		23
015	0000026530		. SCREW,TAIL		1
020	0292757210		. JUNCTION TUBE PRE ACR (AE 126171)		1
-020A	0292750030		. JUNCTION TUBE POST ACR (AE 126171)		1
023	0084004530		. . SLIDE		1
024	0000840220		. . SLIDE		1
026	EN2944-050075		. . THREAD,INSERT - VI9005 (9728050803)		2
050	9682011652		. PACKING,PREFORMED		1
070	0292757140		. TUBE,EQUIPPED		1
080	9794172203		. PACKING,PREFORMED		1
090	0292757160		. TUBE,EQUIPPED		1
100	9681501054		. PACKING,PREFORMED		1
110	9681501153		. PACKING,PREFORMED		1
120	0292757850		. TUBE,EQUIPPED		1
130	9794095203		. PACKING,PREFORMED		1
140	0292750150		. SPRING STRIP PRE TU 154 (AE 65145)		2
-140A	0292750010		. SPRING STRIP POST TU 154 (AE 65145)		2
150	0292750390		. RING		2
160	0292750400		. RING		4
180	0333750630		. BRACKET,ANGLE PRE ACR (AE 87151) POST ACR (AE 87275)		1
190	9866205026		. NUT 9866205026 IS THE SAFRAN HE PART NUMBER FOR: VF0111 - 22526-050 VI9005 - EN2906-050 PRE ACR (AE 87151) POST ACR (AE 87275)		1

- ITEM NOT ILLUSTRATED



INST.,POWER SHAFT
Figure 01 (Sheet 1/2)

PAGE LEFT BLANK INTENTIONALLY



INST.,POWER SHAFT
Figure 01 (Sheet 2/2)

SAFRAN HELICOPTER ENGINES

ARRIEL 2 C1

ILLUSTRATED PARTS CATALOG

FIGURE ITEM	PART NUMBER	AIRL. STOCK No.	DESCRIPTION							EFFECT	QTY
			1	2	3	4	5	6	7		
01											
-001	-										RF
010	9879045028										1
020	9749045031										1
030	0292108260										1
-030A	0292127650										1
-030B	0292109010										1
-030C	0292117260										1
032	9745008005										3
034	0292102900										3
050	EN3686050026										6
060	9752005044										6
100	0292102940										1
120	0292108170										1
-120A	0292101580										1
-120B	-										1
122	79008-1										1
-122A	79008-3										1
123	140-517										1
-123A	140-567										1
-123B	140-547										1

- ITEM NOT ILLUSTRATED

SAFRAN HELICOPTER ENGINES

ARRIEL 2 C1

ILLUSTRATED PARTS CATALOG

FIGURE ITEM	PART NUMBER	AIRL. STOCK No.	DESCRIPTION	EFFECT	QTY
			1 2 3 4 5 6 7		
01					
124	146517		. . . PACKING, PREFORMED - V04171 (9560140350) NON PROCURABLE PRE TU 182 (AE 94784) USE WITH ITEM 120		1
-124A	146-567		. . . PACKING, PREFORMED - V04171 (9560142450) POST TU 182 (AE 94784) USE WITH ITEMS 120A 120B		1
-124B	146-547		. . . PACKING, PREFORMED - V04171 (9560156880) POST ACR (AE 126239) PART OF ITEM 122A ALTERNATE ITEM 124A		1
127	0292102950		. . RING		1
130	9606601003		. BEARING, POWER SHAFT 9606601003 IS THE SAFRAN HE PART NUMBER FOR: VF0771 - S6050X/9 05RLA30A45		1
150	0292102970		. CAGE		1
180	9682011203		. PACKING, PREFORMED		1
190	9682504402		. PACKING, PREFORMED		1
200	0292120360		. SPACER		1
210	DIN472_38x1.5_1		. CIRCLIP - VD8286 (9744038100)		2
220	0292102730		. BLANK		1
230	9682503092		. PACKING, PREFORMED PRE ACR (AE 95445)		1
-230A	46012B03150		. PACKING, PREFORMED - VF0111 (9794420315) POST ACR (AE 95445)		1
250	0292127380		. SHAFT ASSY, POWER POST TU 122A BECOMES ITEM 250F PRE ACR (AE 45595)		1
-250A	0292127750		. SHAFT ASSY, POWER POST ACR (AE 45595) POST TU 122A BECOMES ITEM 250F PRE TU 075A (AE 47459 AVT 1)		1
-250B	0292127800		. SHAFT ASSY, POWER PRE ACR (AE 46782) POST TU 075A (AE 47459 AVT 1) POST TU 081A BECOMES ITEM 250E		1
-250C	0292127860		. SHAFT ASSY, POWER POST ACR (AE 46782) PRE TU 081A (AE 49593) POST TU 081A (AE 49593) AND POST TU 122A BECOMES ITEM 250F POST TU 081A BECOMES ITEM 250D		1
-250D	0292127920		. SHAFT ASSY, POWER PRE TU 122A (AE 51389) POST TU 122A BECOMES ITEM 250F POST TU 081A (AE 49593) RETROFIT ITEM 250C SELECTED PART		1

- ITEM NOT ILLUSTRATED

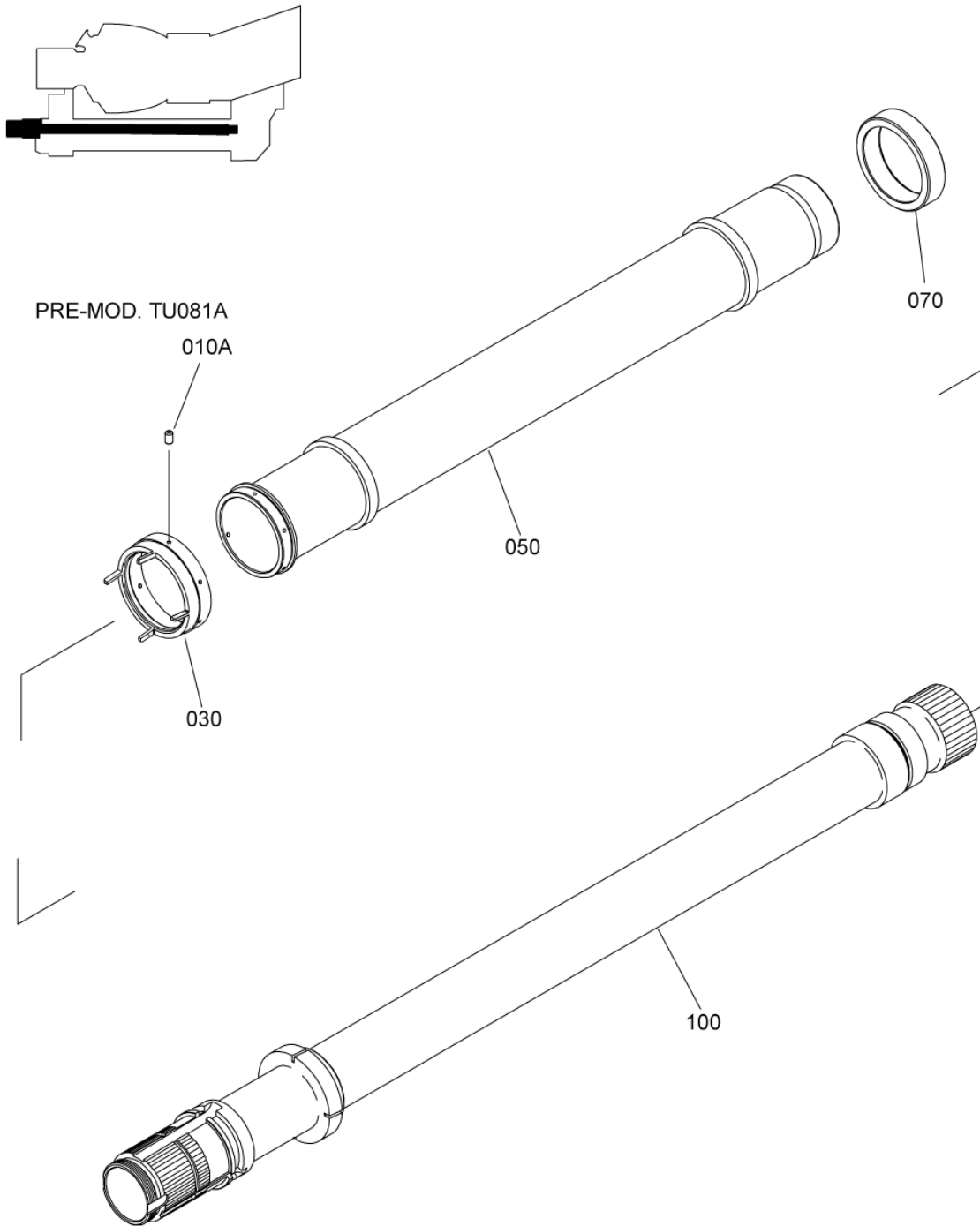
SAFRAN HELICOPTER ENGINES

ARRIEL 2 C1

ILLUSTRATED PARTS CATALOG

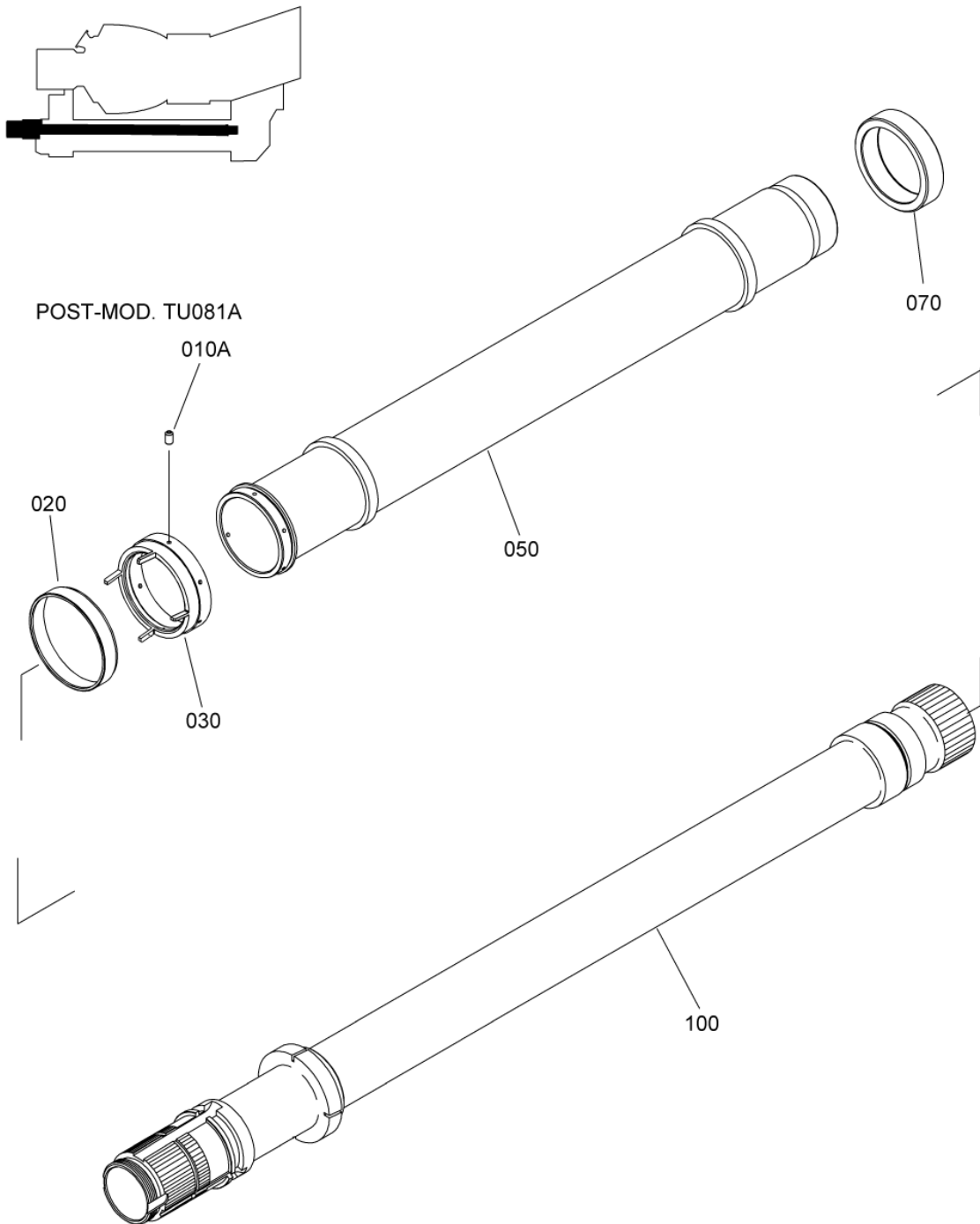
FIGURE ITEM	PART NUMBER	AIRL. STOCK No.	DESCRIPTION	EFFECT	QTY
			1 2 3 4 5 6 7		
01					
-250E	0292127960		. SHAFT ASSY,POWER POST TU 081A (AE 49593) RETROFIT ITEM 250B POST TU 122A BECOMES ITEM 250G		1
-250F	0292127990		. SHAFT ASSY,POWER POST TU 122A (AE 51389) RETROFIT ITEMS 250 250A 250C 250D POST TU 081A (AE 49593) RETROFIT ITEM 250C PRE ACR (AE 95445) SELECTED PART		1
-250G	0292128040		. SHAFT ASSY,POWER POST TU 122A (AE 51389) RETROFIT ITEM 250E		1
-250H	0292120880		. SHAFT ASSY,POWER POST ACR (AE 95445) REFER TO FIG.02 FOR DETAILS		1
280	0177987030		. BOX,CONFORMATION REPAIRABLE PRE TU 034A (AE 46760) PRE TU192 (AE 109677) REFER TO CMM 77-09-01 FOR DETAILS		1
-280A	0177987070		. BOX,CONFORMATION REPAIRABLE POST TU 034A (AE 46760) PRE TU192 (AE 109677) REFER TO CMM 77-09-02 FOR DETAILS		1
-280B	0177987140		. BOX,CONFORMATION REPAIRABLE POST TU192 (AE 109677) REFER TO CMM 77-09-01 FOR DETAILS		1
-280C	0177987140		. BOX,CONFORMATION REPAIRABLE POST TU192 (AE 109677) REFER TO CMM 77-09-02 FOR DETAILS		1

- ITEM NOT ILLUSTRATED



SHAFT ASSY,POWER
Figure 02 (Sheet 1/2)

PAGE LEFT BLANK INTENTIONALLY



SHAFT ASSY, POWER
Figure 02 (Sheet 2/2)

SAFRAN HELICOPTER ENGINES

ARRIEL 2 C1

ILLUSTRATED PARTS CATALOG

FIGURE ITEM	PART NUMBER	AIRL. STOCK No.	DESCRIPTION	EFFECT	QTY
			1 2 3 4 5 6 7		
02					
-001	0292127380		SHAFT ASSY,POWER POST TU 122A BECOMES ITEM 001F PRE ACR (AE 45595)	a	RF
-001A	0292127750		SHAFT ASSY,POWER POST ACR (AE 45595) POST TU 122A BECOMES ITEM 001F PRE TU 075A (AE 47459 AVT 1)	b	RF
-001B	0292127800		SHAFT ASSY,POWER PRE ACR (AE 46782) POST TU 075A (AE 47459 AVT 1) POST TU 081A BECOMES ITEM 001E	c	RF
-001C	0292127860		SHAFT ASSY,POWER POST ACR (AE 46782) PRE TU 081A (AE 49593) POST TU 081A (AE 49593) AND POST TU 122A BECOMES ITEM 001F POST TU 081A BECOMES ITEM 001D	d	RF
-001D	0292127920		SHAFT ASSY,POWER PRE TU 122A (AE 51389) POST TU 122A BECOMES ITEM 001F POST TU 081A (AE 49593) RETROFIT ITEM 001C SELECTED PART	e	RF
-001E	0292127960		SHAFT ASSY,POWER POST TU 081A (AE 49593) RETROFIT ITEM 001B POST TU 122A BECOMES ITEM 001G	f	RF
-001F	0292127990		SHAFT ASSY,POWER POST TU 122A (AE 51389) RETROFIT ITEMS 001 001A 001C 001D POST TU 081A (AE 49593) RETROFIT ITEM 001C PRE ACR (AE 95445) SELECTED PART	g	RF
-001G	0292128040		SHAFT ASSY,POWER POST TU 122A (AE 51389) RETROFIT ITEM 001E	h	RF
-001H	0292120880		SHAFT ASSY,POWER POST ACR (AE 95445) REFER TO FIG. 01 ITEM 250	i	RF
-010	9758250050		. CALIBRATED,PIN PRE TU 081A (AE 49593)	a, b, c, d	3
010A	9758250050		. CALIBRATED,PIN PRE TU 122A (AE 51389) POST TU 081A (AE 49593)	e, f	6
-010B	0292121410		. CALIBRATED,PIN POST TU 122A (AE 51389)	g, h, i	6
020	0292121360		. RING,RETAINING POST TU 081A (AE 49593)	e, f, g, h, i	1
030	2292120650		. WHEEL,PHONIC PRE TU 075A (AE 47459 AVT 1)	a, b	1

- ITEM NOT ILLUSTRATED

SAFRAN HELICOPTER ENGINES

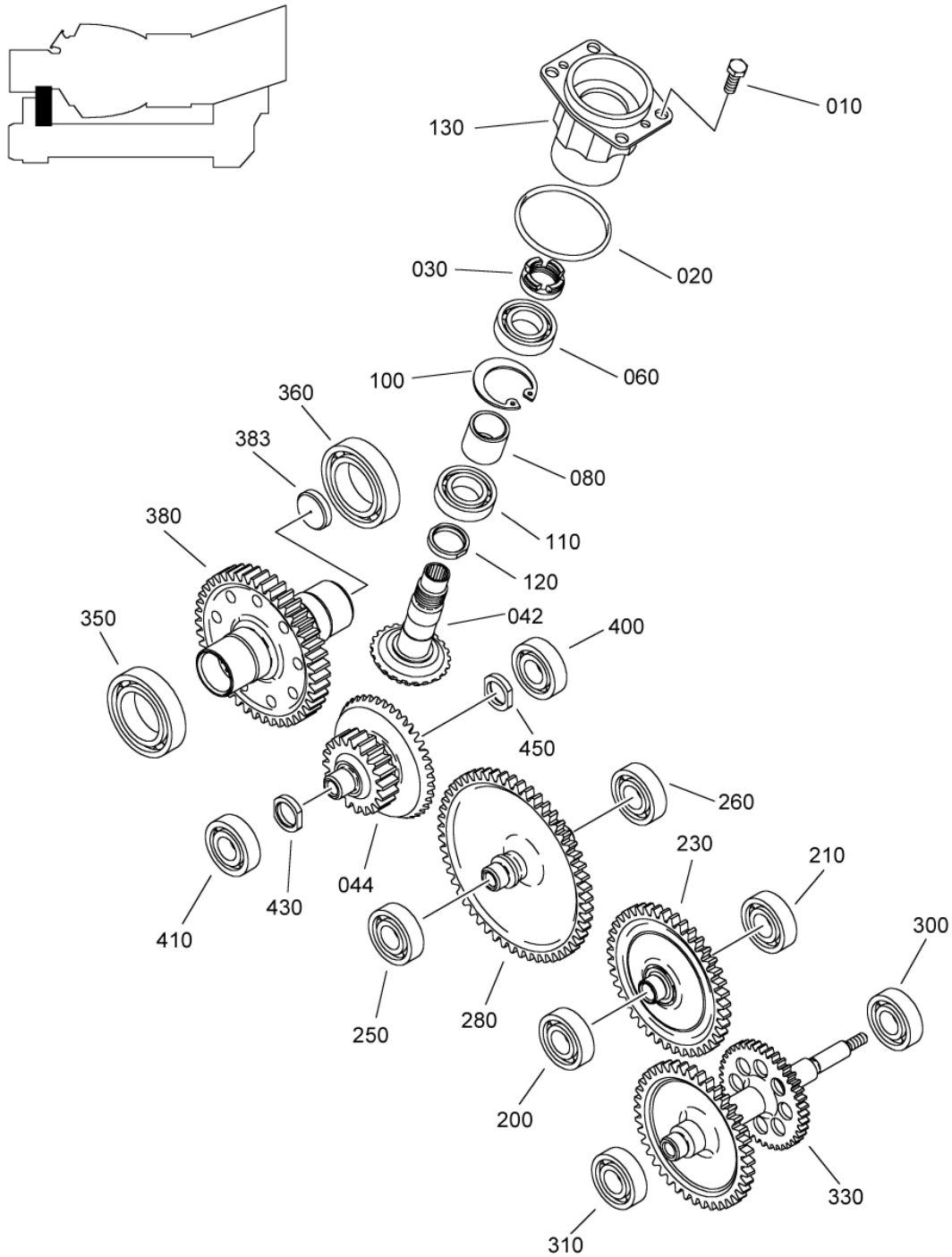
ARRIEL 2 C1

ILLUSTRATED PARTS CATALOG

FIGURE ITEM	PART NUMBER	AIRL. STOCK No.	DESCRIPTION	EFFECT	QTY
			1 2 3 4 5 6 7		
02					
-030A	2292121290		. WHEEL,PHONIC PRE TU 122A (AE 51389) POST TU 075A (AE 47459 AVT 1)	c, d, e, f	1
-030B	2292121420		. WHEEL,PHONIC POST TU 122A (AE 51389)	g, h, i	1
050	2292120640		. SHAFT PRE ACR (AE 45595)	a	1
-050A	2292121250		. SHAFT PRE ACR (AE 46782) POST ACR (AE 45595)	b, c, f, h	1
-050B	2292121270		. SHAFT POST ACR (AE 46782)	d, e, g, i	1
070	0292120720		. PART,PRESS FITTED		1
100	0292120630		. SHAFT,POWER PRE ACR (AE 66049)		1
-100A	2292120630		. SHAFT,POWER POST ACR (AE 66049)		1

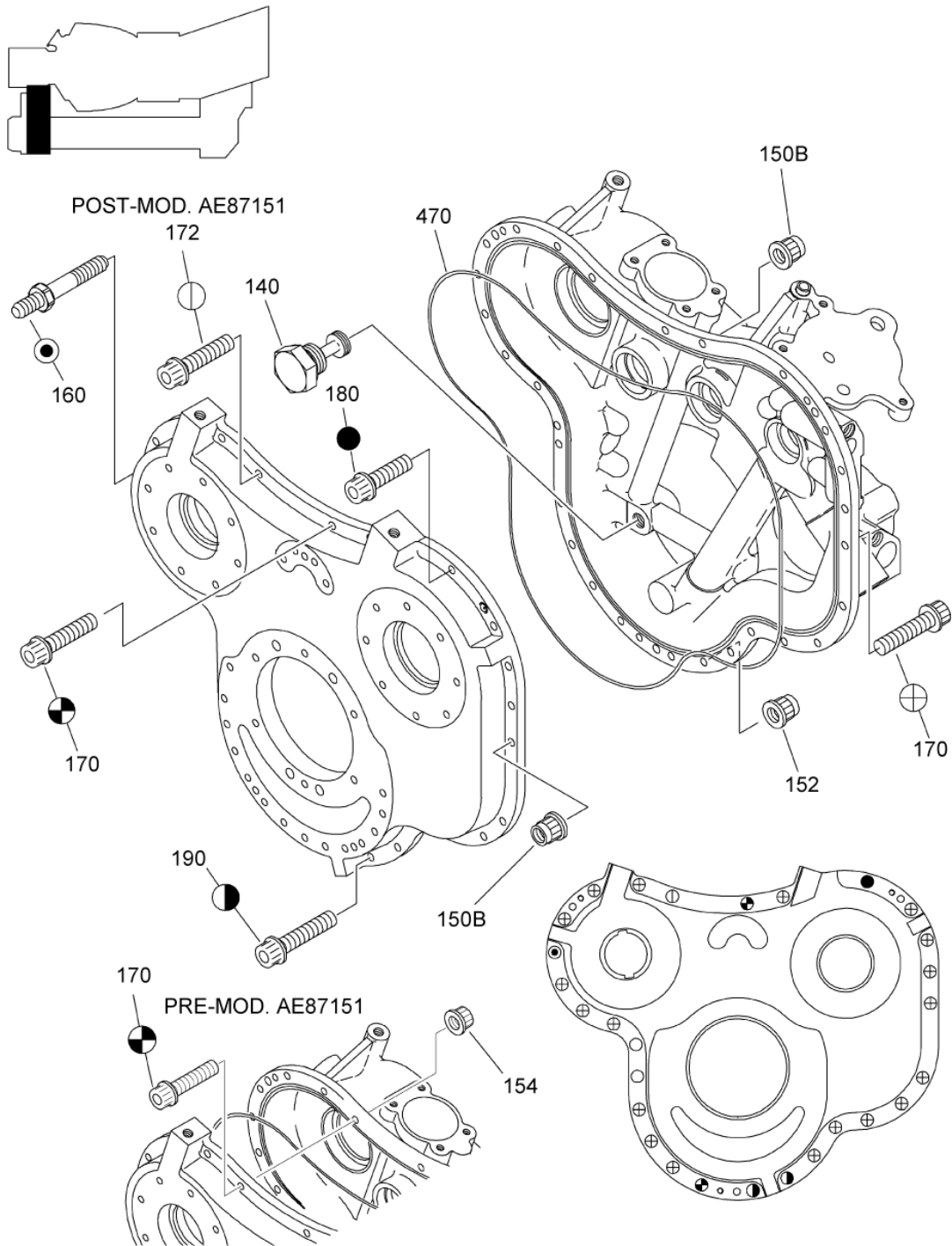
- ITEM NOT ILLUSTRATED

PAGE LEFT BLANK INTENTIONALLY



INST.,GEARS
Figure 01 (Sheet 1/2)

PAGE LEFT BLANK INTENTIONALLY



INST.,GEARS
Figure 01 (Sheet 2/2)

SAFRAN HELICOPTER ENGINES

ARRIEL 2 C1

ILLUSTRATED PARTS CATALOG

FIGURE ITEM	PART NUMBER	AIRL. STOCK No.	DESCRIPTION							EFFECT	QTY
			1	2	3	4	5	6	7		
01											
-001	-										RF
010	22209BC050014L										4
020	9681503502										1
030	EN3295-014										1
-030A	9880400014										1
-040	0292127350										1
-040A	0292127350										1
-040B	0292127870										1
042	0292102750										1
044	0292127330										1
060	9606490202										1
080	0292102080										1
100	DIN472_28x1.2_1										1
110	9606490202										1
120	0292102460										1
130	0292102660										1
140	0292103270										1
-150	9866205026										25
-150A	9866205026										23

- ITEM NOT ILLUSTRATED

SAFRAN HELICOPTER ENGINES

ARRIEL 2 C1

ILLUSTRATED PARTS CATALOG

FIGURE ITEM	PART NUMBER	AIRL. STOCK No.	DESCRIPTION	EFFECT	QTY
			1 2 3 4 5 6 7		
01					
150B	9866205026		. NUT 9866205026 IS THE SAFRAN HELICOPTER ENGINES PART NUMBER FOR: VF0111 - 22526-050 VI9005 - EN2906-050 POST ACR (AE 67032)		22
152	9866205026		. NUT 9866205026 IS THE SAFRAN HELICOPTER ENGINES PART NUMBER FOR: VF0111 - 22526-050 VI9005 - EN2906-050 POST ACR (AE 65088)		2
154	EN3377-050		. NUT - VI9005 (9867500500) PRE ACR (AE 87151) POST ACR (AE 67032)		1
160	0000025840		. SCREW, TAIL		1
170	EN3686050022		. SCREW - VI9005 (9836405022) PRE ACR (AE 65088)		22
-170A	EN3686050024		. SCREW - VI9005 (9836405024) PRE ACR (AE 87151) POST ACR (AE 65088)		22
-170B	EN3686050024		. SCREW - VI9005 (9836405024) POST ACR (AE 87151)		21
172	EN3686050018		. SCREW - VI9005 (9836405018) POST ACR (AE 87151)		1
180	EN3686050018		. SCREW - VI9005 (9836405018)		1
190	EN3686050024		. SCREW - VI9005 (9836405024) PRE ACR (AE 65088)		2
-190A	EN3686050026		. SCREW - VI9005 (9836405026) POST ACR (AE 65088)		2
200	9601600199		. BEARING, GEAR, 41 TEETH 9601600199 IS THE SAFRAN HELICOPTER ENGINES PART NUMBER FOR: VD8897 - 6001YP63S.O. VF0272 - 6001/C3SO		1
210	9601600199		. BEARING, GEAR, 41 TEETH 9601600199 IS THE SAFRAN HELICOPTER ENGINES PART NUMBER FOR: VD8897 - 6001YP63S.O. VF0272 - 6001/C3SO		1
230	0292120110		. GEAR, 41 TEETH		1
-230A	0292120730		. GEAR, 41 TEETH ALTERNATE ITEM 230		1
250	9601600199		. BEARING, GEAR, 53 TEETH 9601600199 IS THE SAFRAN HELICOPTER ENGINES PART NUMBER FOR: VD8897 - 6001YP63S.O. VF0272 - 6001/C3SO		1

- ITEM NOT ILLUSTRATED

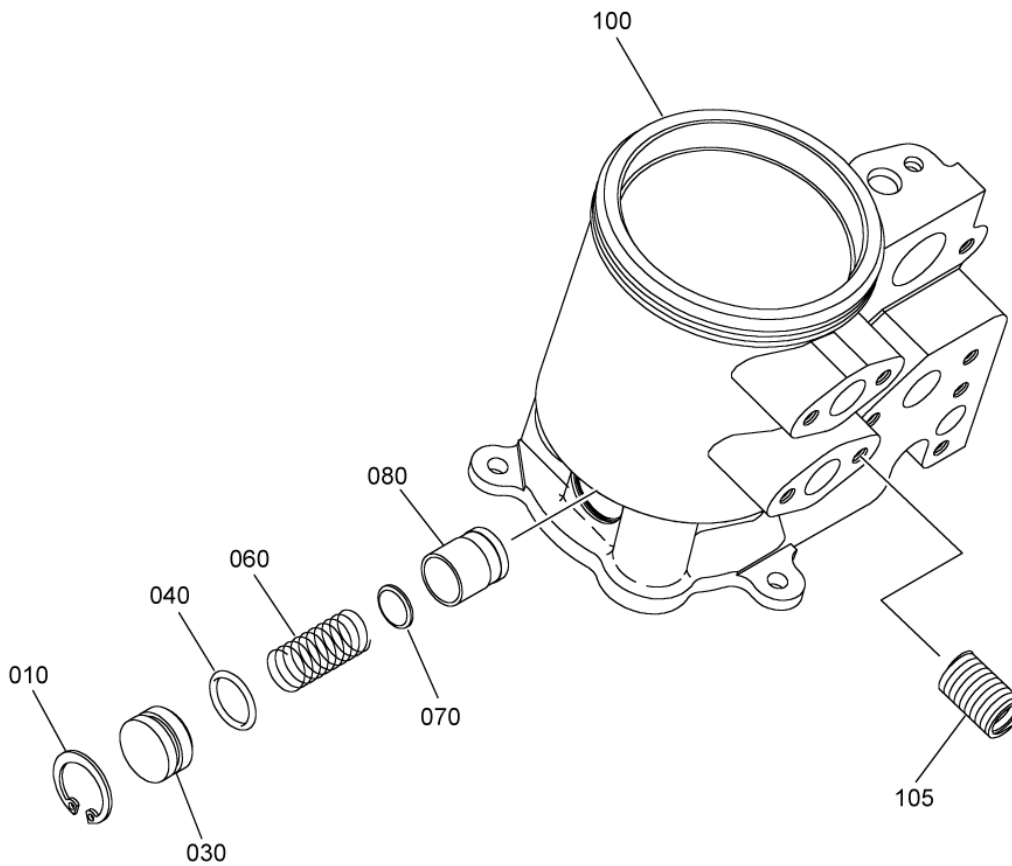
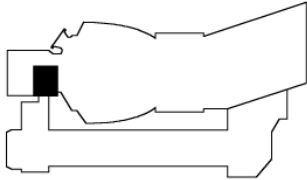
SAFRAN HELICOPTER ENGINES

ARRIEL 2 C1

ILLUSTRATED PARTS CATALOG

FIGURE ITEM	PART NUMBER	AIRL. STOCK No.	DESCRIPTION	EFFECT	QTY
			1 2 3 4 5 6 7		
01					
260	9601600199		. BEARING,GEAR,53 TEETH 9601600199 IS THE SAFRAN HELICOPTER ENGINES PART NUMBER FOR: VD8897 - 6001YP63S.O. VF0272 - 6001/C3SO		1
280	0292120100		. GEAR,53 TEETH		1
-280A	0292120740		. GEAR,53 TEETH ALTERNATE ITEM 280		1
300	9601600199		. BEARING,REAR,DOUBLE GEAR 9601600199 IS THE SAFRAN HELICOPTER ENGINES PART NUMBER FOR: VD8897 - 6001YP63S.O. VF0272 - 6001/C3SO PRE TU 041A (AE 46483)		1
-300A	6001X7RBA16-23		. BEARING,REAR,DOUBLE GEAR - VF0771 (9606600107) POST TU 041A (AE 46483)		1
310	9601600199		. BEARING,FRONT,DOUBLE GEAR 9601600199 IS THE SAFRAN HELICOPTER ENGINES PART NUMBER FOR: VD8897 - 6001YP63S.O. VF0272 - 6001/C3SO		1
330	0292127410		. GEAR,DOUBLE		1
-330A	0292127570		. GEAR,DOUBLE ALTERNATE ITEM 330		1
350	61905JP63		. BEARING,FRONT,GEAR,STARTER - VF0563 (9601490599) PRE ACR (AE 50030)		1
-350A	9606490501		. BEARING,FRONT,GEAR,STARTER 9606490501 IS THE SAFRAN HELICOPTER ENGINES PART NUMBER FOR: VF0771 - S19025-5-05RBA20 POST ACR (AE 50030)		1
360	61905JP63		. BEARING,REAR,GEAR,STARTER - VF0563 (9601490599) PRE ACR (AE 50030)		1
-360A	9606490501		. BEARING,REAR,GEAR,STARTER 9606490501 IS THE SAFRAN HELICOPTER ENGINES PART NUMBER FOR: VF0771 - S19025-5-05RBA20 POST ACR (AE 50030)		1
380	0292127640		. GEAR,STARTER,43 TEETH		1
-380A	0292127630		. GEAR,STARTER,43 TEETH ALTERNATE ITEM 380		1
-380B	0292127670		. GEAR,STARTER,43 TEETH ALTERNATE ITEM 380A		1
383	0292101920		. . PLUG		1
400	6001X7RBA16-23		. BEARING,REAR,BEVEL GEARS - VF0771 (9606600107)		1
410	6001X7RBA16-23		. BEARING,FRONT,BEVEL GEARS - VF0771 (9606600107)		1
430	0292102450		. WASHER		1
450	0292102430		. WASHER		1
470	9682030003		. PACKING,PREFORMED		1

- ITEM NOT ILLUSTRATED



BASE PLATE ASSY,FILTER
Figure 01

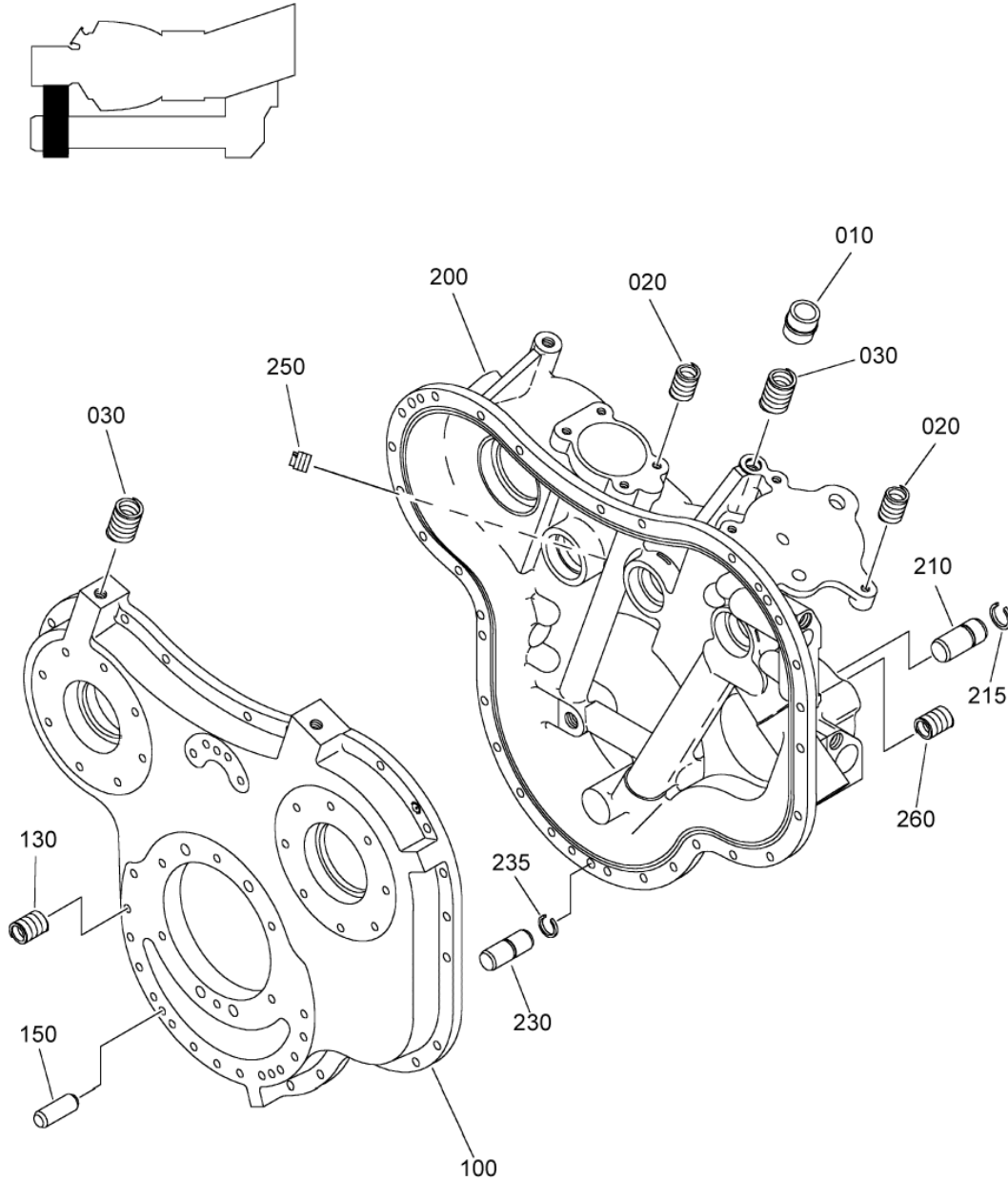
SAFRAN HELICOPTER ENGINES

ARRIEL 2 C1

ILLUSTRATED PARTS CATALOG

FIGURE ITEM	PART NUMBER	AIRL. STOCK No.	DESCRIPTION	EFFECT	QTY
			1 2 3 4 5 6 7		
01					
-001	0292127400		BASE PLATE ASSY,FILTER PRE TU 078A (AE 48997)	a	RF
-001A	0292127890		BASE PLATE ASSY,FILTER POST TU 078A (AE 48997) REFER TO CHAP. 72-61-00 FIG.02 ITEM 010	b	RF
010	DIN472_19x1_1		. CIRCLIP - VD8286 (9744019100)		1
030	0292120970		. PLUG PRE TU 078A (AE 48997)	a	1
-030A	0292121320		. PLUG POST TU 078A (AE 48997)	b	1
040	9681501404		. PACKING,PREFORMED		1
060	0292120960		. SPRING PRE TU 078A (AE 48997)	a	1
-060A	0292121330		. SPRING POST TU 078A (AE 48997)	b	1
070	0292103310		. WASHER SELECTED PART		1
-070A	0292103300		. WASHER SELECTED PART		1
-070B	0292103320		. WASHER SELECTED PART		1
080	0039651140		. VALVE		1
100	0292127420		. BASE PLATE ASSY,FILTER		1
105	EN2944-050100		. . THREAD,INSERT - V19005 (9728050804)		12

- ITEM NOT ILLUSTRATED



CASINGS,ASSEMBLED
Figure 01

SAFRAN HELICOPTER ENGINES

ARRIEL 2 C1

ILLUSTRATED PARTS CATALOG

FIGURE ITEM	PART NUMBER	AIRL. STOCK No.	DESCRIPTION							EFFECT	QTY
			1	2	3	4	5	6	7		
01											
-001	0292127360									a	RF
-001A	0292127720									b	RF
-001B	0292121490									c	RF
-001C	0292121530									d	RF
-001D	729212736A									e	RF
-001E	729212772A									f	RF
010	0292103360										1
020	EN2944-050100										7
030	EN2944-060120										4
100	0292127020										1
-100A	0292120650										1
-100B	0292121510										1
-110	SIM0LG3-5										4
-120	0000840220										1
130	EN2944-050100										42
-130A	EN2944-050100										41
150	9757051400										3
200	0292127290									a, e	1
-200A	0292127680									b, f	1
-200B	0292120410									b, f	1
-200C	0292121460									c, d	1

- ITEM NOT ILLUSTRATED

SAFRAN HELICOPTER ENGINES

ARRIEL 2 C1

ILLUSTRATED PARTS CATALOG

FIGURE ITEM	PART NUMBER	AIRL. STOCK No.	DESCRIPTION	EFFECT	QTY
			1 2 3 4 5 6 7		
01					
210	0292707100		. . PIN,CENTERING		3
215	9745007005		. . . RING,RETAINING		1
230	0292107500		. . PIN,CENTERING		3
235	9745006005		. . . RING,RETAINING		1
250	9898080524		. . JET		1
260	EN2944-050100		. . THREAD,INSERT - VI9005 (9728050804) PRE ACR (AE 45451) PART OF ITEM 200		50
-260A	EN2944-050100		. . THREAD,INSERT - VI9005 (9728050804) POST ACR (AE 45451) PART OF ITEMS 200A 200B		47
-260B	EN2944-050100		. . THREAD,INSERT - VI9005 (9728050804) POST ACR (AE 87151) PART OF ITEM 200C		49

- ITEM NOT ILLUSTRATED

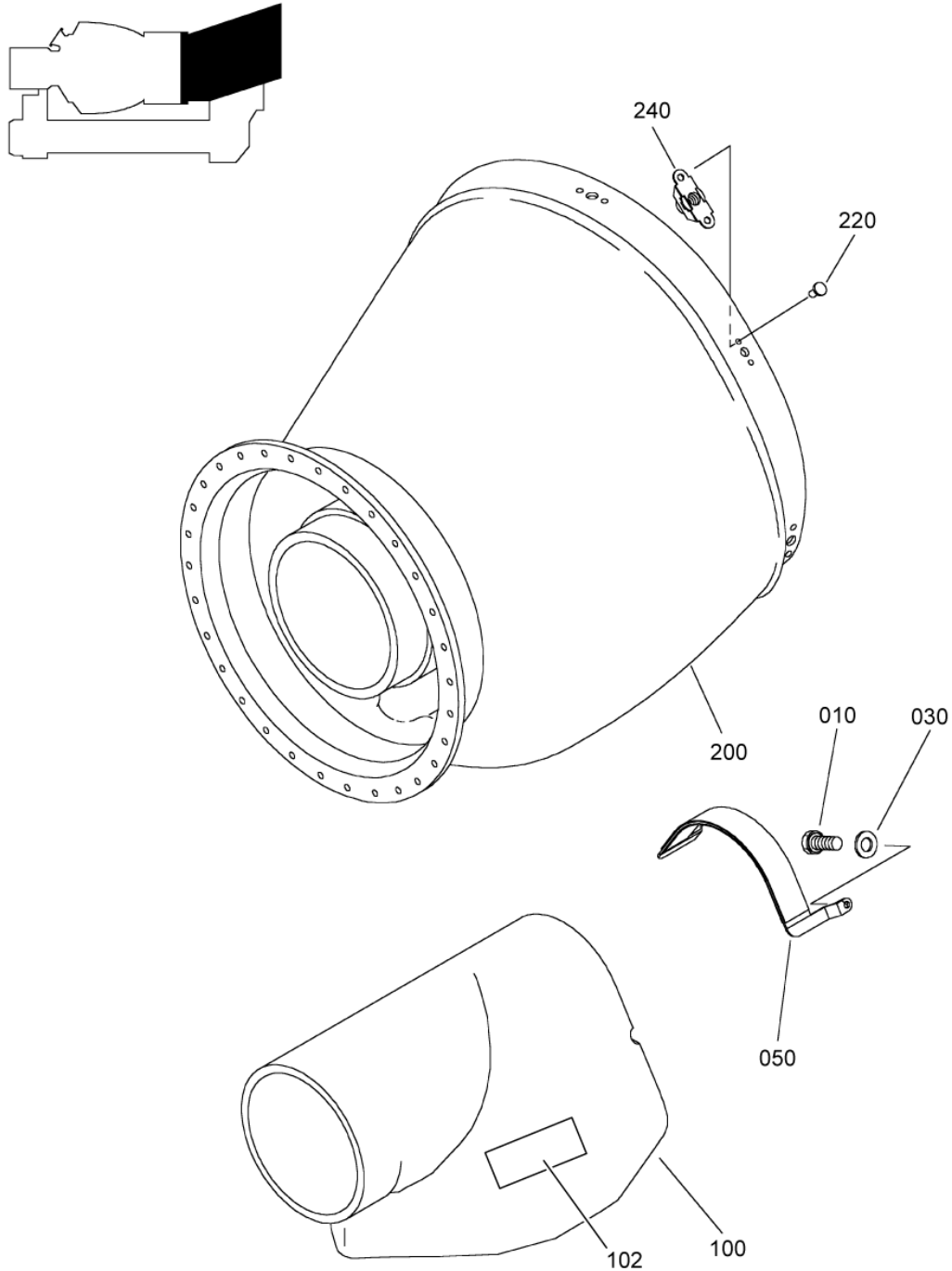
PAGE LEFT BLANK INTENTIONALLY

ARRIEL 2 C1

DETAILED PART LIST

EXHAUST PIPE

72-70-00



PIPE, EXHAUST
Figure 01

SAFRAN HELICOPTER ENGINES

ARRIEL 2 C1

ILLUSTRATED PARTS CATALOG

FIGURE ITEM	PART NUMBER	AIRL. STOCK No.	DESCRIPTION	EFFECT	QTY
			1 2 3 4 5 6 7		
01					
-001	0292815000		PIPE,EXHAUST REPAIRABLE REFER TO CHAP. 72-00-00 FIG.01 ITEM 070		RF
010	EN3613-050012		. SCREW - VI9005 (9836505012)		2
030	23112CF050		. WASHER - VF0111 (9975050024)		2
050	0292808740		. STRAP PRE ACR (AE 68369)		1
-050A	0292817480		. STRAP POST ACR (AE 68369)		1
100	0292827110		. SHIELD,HEAT		1
-100A	0292827120		. SHIELD,HEAT ALTERNATE ITEM 100		1
102	7000000134		. . ADDED PART POST SR 00707-01		AR
200	0292817330		. PIPE,EXHAUST REPAIRABLE		1
220	21217CA2405		. . RIVET - VF0111 (9961240521)		14
240	9560128730		. . ANCHOR NUT 9560128730 IS THE SAFRAN HE PART NUMBER FOR: VF0224 - 5080LATE10CMK-BD		7

- ITEM NOT ILLUSTRATED

CHAPTER 73 - LIST OF EFFECTIVE PAGES

<u>Chapter Section Subject</u>	<u>Figure</u>	<u>Title</u>	<u>Pages</u>	<u>Date</u>
73		LIST OF EFFECTIVE PAGES	* 1 - 2	June 15/2023
73		TABLE OF CONTENTS	1 - 2	Nov. 30/2009
73-00-00	TITLE	SYSTEM, FUEL	1	Nov. 30/2009
73-00-00	01	SYSTEM,FUEL	0	Nov. 30/2009
73-00-00	01		1	Nov. 30/2009
73-10-00	TITLE	DISTRIBUTION	1	Nov. 30/2009
73-14-00	01	VALVE ASSY,ADJUSTED	* 0	June 15/2023
73-14-00	01		* 1	June 15/2023
73-19-00	01-1/2	PIPES,FUEL	0	Dec. 30/2021
73-19-00	BLANK		0	Dec. 30/2021
73-19-00	01-2/2		0	Dec. 30/2021
73-19-00	01		1 - 3	Dec. 30/2021
73-20-00	TITLE	CONTROLLING	1	Nov. 30/2009
73-23-00	01-1/3	PUMP AND METERING VALVE ASSY,ADJUSTED	* 0	June 15/2023
73-23-00	BLANK		* 0	June 15/2023
73-23-00	01-2/3		* 0	June 15/2023
73-23-00	BLANK		* 0	June 15/2023
73-23-00	01-3/3		* 0	June 15/2023
73-23-00	01		* 1 - 5	June 15/2023

* Page modified following update No. 50

PAGE LEFT BLANK INTENTIONALLY

CHAPTER 73 - TABLE OF CONTENTS

<u>Title</u>	<u>Chapter Section Subject</u>	<u>Figure</u>
SYSTEM, FUEL	73-00-00	
SYSTEM,FUEL	73-00-00	01
DISTRIBUTION	73-10-00	
VALVE ASSY,ADJUSTED	73-14-00	01
PIPES,FUEL	73-19-00	01
CONTROLLING	73-20-00	
PUMP AND METERING VALVE ASSY,ADJUSTED	73-23-00	01

PAGE LEFT BLANK INTENTIONALLY

DETAILED PART LIST

SYSTEM, FUEL

73-00-00

FIGURE NOT ILLUSTRATED

SYSTEM,FUEL
Figure 01

TURBOMECA ARRIEL 2 C1

ILLUSTRATED PARTS CATALOG

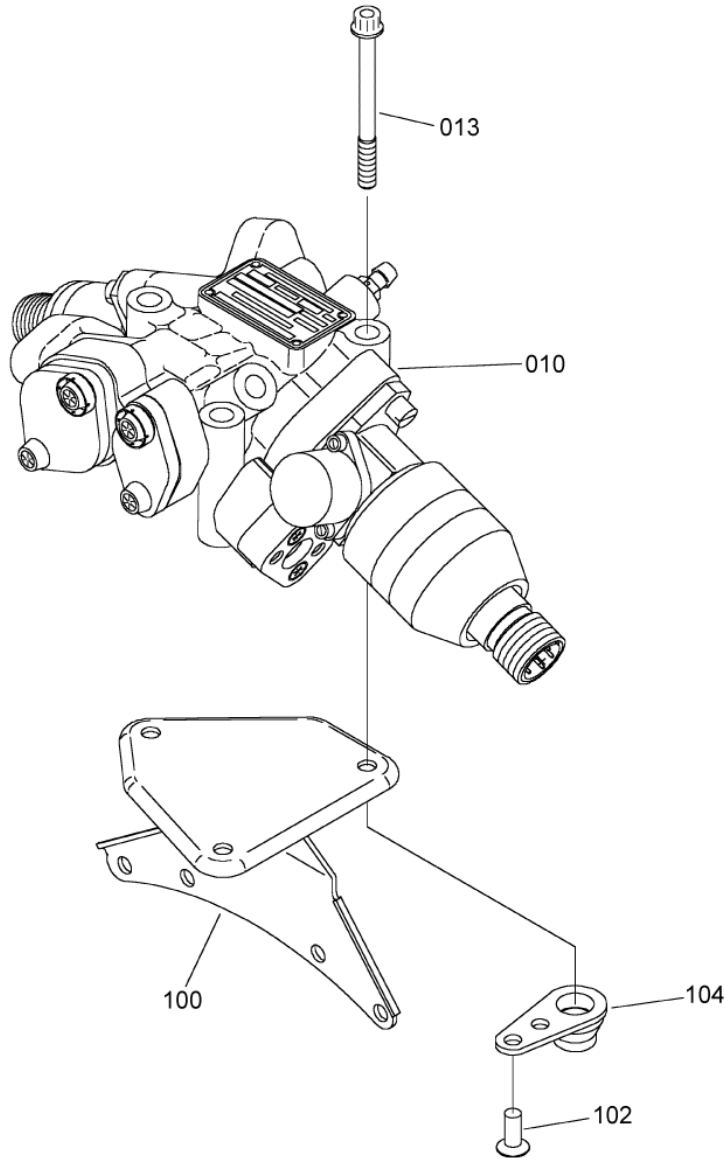
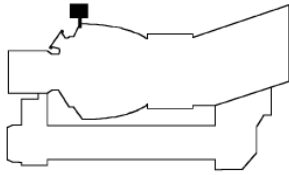
FIGURE ITEM	PART NUMBER	AIRL. STOCK No.	DESCRIPTION	EFFECT	QTY
			1 2 3 4 5 6 7		
01 -001	-		SYSTEM,FUEL NON PROCURABLE REFER TO CHAP. 71-00-00 FIG.01 ITEM 050		RF
-010	-		. INST.,VALVE ASSY,ADJUSTED NON PROCURABLE REFER TO CHAP.73-14-00 FOR DETAILS		1
-020	-		. INST.,PIPES,FUEL NON PROCURABLE REFER TO CHAP.73-19-00 FOR DETAILS		1
-030	-		. INST.,PUMP AND METERING VALVE ASSY,ADJUSTED NON PROCURABLE REFER TO CHAP.73-23-00 FOR DETAILS		1

- ITEM NOT ILLUSTRATED

DETAILED PART LIST

DISTRIBUTION

73-10-00



INST., VALVE ASSY, ADJUSTED
Figure 01

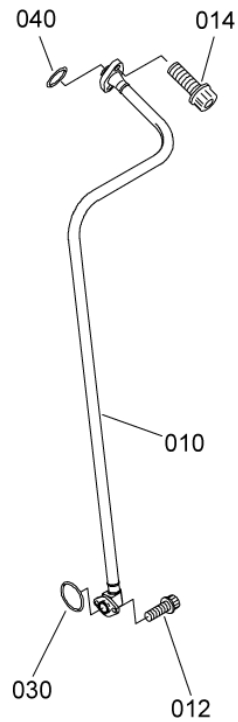
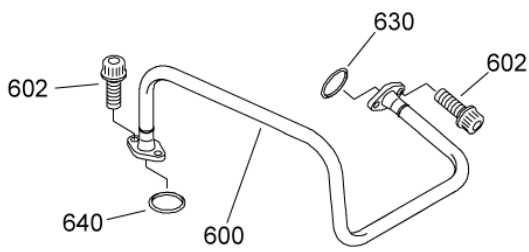
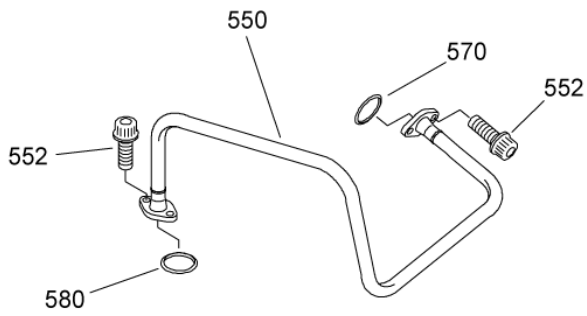
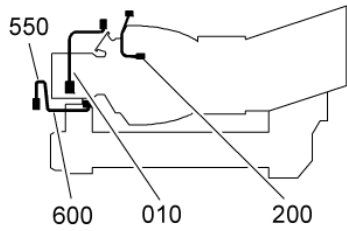
SAFRAN HELICOPTER ENGINES

ARRIEL 2 C1

ILLUSTRATED PARTS CATALOG

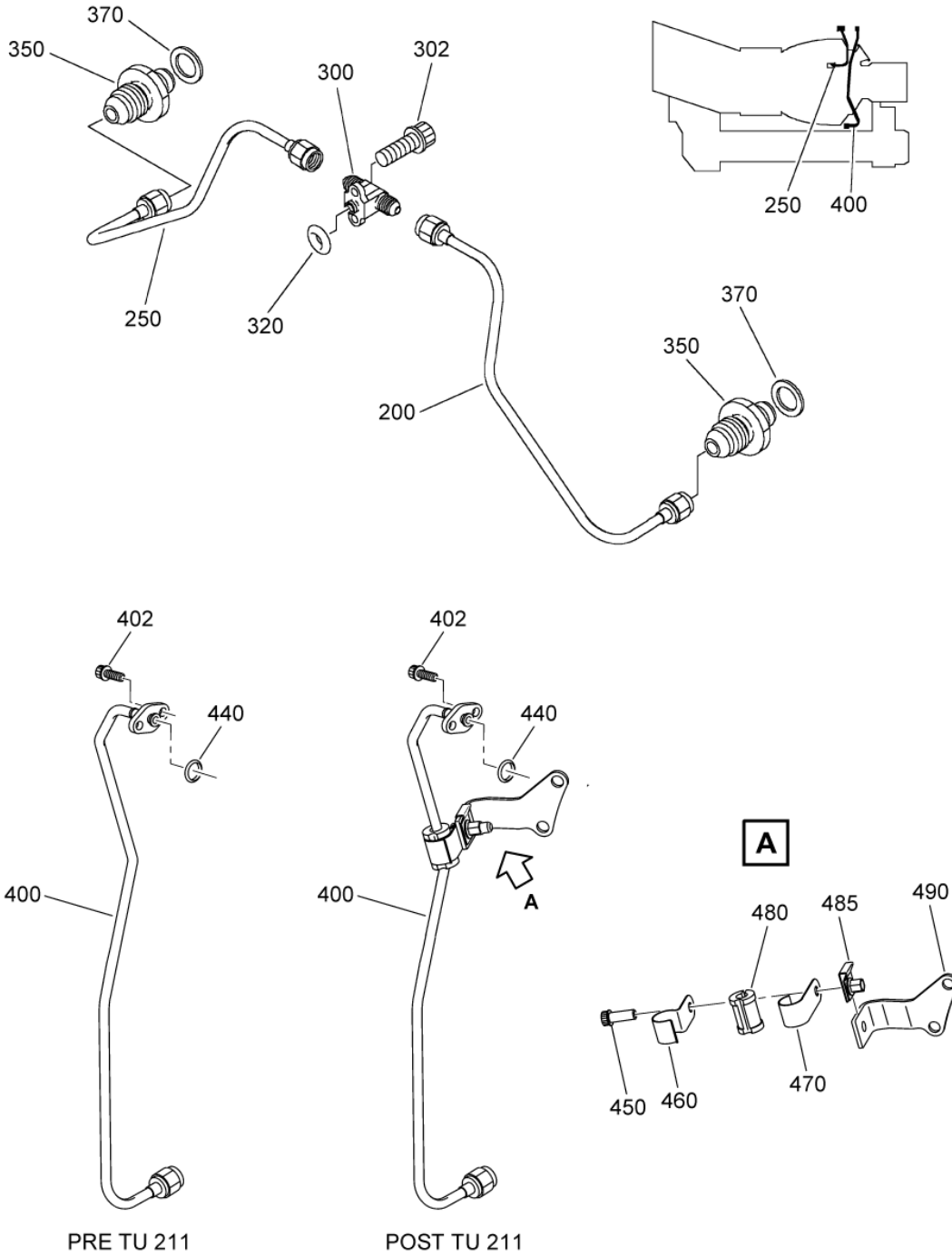
FIGURE ITEM	PART NUMBER	AIRL. STOCK No.	DESCRIPTION	EFFECT	QTY
			1 2 3 4 5 6 7		
01					
-001	-		INST.,VALVE ASSY,ADJUSTED NON PROCURABLE REFER TO CHAP. 73-00-00 FIG.01 ITEM 010		RF
010	0292958050		. VALVE ASSY,ADJUSTED REPAIRABLE PRE TU 096 (AE 50550)		1
-010A	0292958060		. VALVE ASSY,ADJUSTED REPAIRABLE PRE TU 126A (AE 49318) POST TU 096 (AE 50550) PRE TU195 (AE 97872)		1
-010B	0292958070		. VALVE ASSY,ADJUSTED REPAIRABLE POST TU 126A (AE 49318) PRE TU195 (AE 97872)		1
-010C	0292950780		. VALVE ASSY,ADJUSTED REPAIRABLE POST TU195 (AE 97872) REFER TO CMM 73-14-01 FOR DETAILS		1
013	0000025960		ATTACHING PARTS . SCREW ***		3
100	0292737250		. SUPPORT ASSY,VALVE		1
102	21217CA2406		. . RIVET - VF0111 (9961240621)		6
104	5SMR2205		. . ANCHOR NUT - VF0224 (9564090030) PRE ACR (AE 95508)		3
-104A	5 JSMR 20209 M		. . ANCHOR NUT - VF0224 (9564090090) POST ACR (AE 95508)		3

- ITEM NOT ILLUSTRATED



INST.,PIPES,FUEL
Figure 01 (Sheet 1/2)

PAGE LEFT BLANK INTENTIONALLY



INST.,PIPES,FUEL
Figure 01 (Sheet 2/2)

SAFRAN HELICOPTER ENGINES

ARRIEL 2 C1

ILLUSTRATED PARTS CATALOG

FIGURE ITEM	PART NUMBER	AIRL. STOCK No.	DESCRIPTION	EFFECT	QTY
			1 2 3 4 5 6 7		
01					
-001	-		INST.,PIPES,FUEL NON PROCURABLE REFER TO CHAP. 73-00-00 FIG.01 ITEM 020		RF
010	0292737440		. PIPE,FUEL,METERING VALVE-VALVE		1
			ATTACHING PARTS		
012	EN3686050014		. SCREW - VI9005 (9836405014)		2
014	EN3686050014		. SCREW - VI9005 (9836405014) ***		2
030	46012A01320		. PACKING,PREFORMED - VF0111 (9794410132)		1
040	46012A00750		. PACKING,PREFORMED - VF0111 (9794410075)		1
200	0292737290		. PIPE,FUEL,LF MANIFOLD SUPPLY		1
250	0292737300		. PIPE,FUEL,RH MANIFOLD SUPPLY		1
300	0292670030		. UNION,3 WAY		1
			ATTACHING PARTS		
302	EN3686050014		. SCREW - VI9005 (9836405014) ***		2
320	46012A00560		. PACKING,PREFORMED - VF0111 (9794410056)		1
350	0292370330		. NIPPLE		2
370	9752100080		. SEAL		2
400	0292737310		. PIPE,FUEL,MAIN MANIFOLD SUPPLY		1
			ATTACHING PARTS		
402	EN3686050014		. SCREW - VI9005 (9836405014) ***		2
440	46012A00560		. PACKING,PREFORMED - VF0111 (9794410056)		1
450	EN3686050014		. SCREW - VI9005 (9836405014) POST TU211 (AE 116702)		1
460	AS12841		. HALF CLAMP, OUTER - VU1653 (0400420010) POST TU211 (AE 116702)		1
470	AS12811		. HALF CLAMP, INNER - VU1653 (0400410010) POST TU211 (AE 116702)		1
480	AS12872		. SLEEVE - VU1653 (0400430060) POST TU211 (AE 116702)		1
485	EN3240-050		. NUT - VI9005 (9867700050) POST TU211 (AE 116702)		1
490	0292730650		. BRACKET, ANGLE POST TU211 (AE 116702)		1
550	0292737580		. PIPE,FUEL,METERING VALVE-EXCHANGER		1
			ATTACHING PARTS		
552	EN3686050014		. SCREW - VI9005 (9836405014) ***		4
570	46012A00950		. PACKING,PREFORMED - VF0111 (9794410095)		1
580	46012A00950		. PACKING,PREFORMED - VF0111 (9794410095)		1
600	0292737390		. PIPE,FUEL,EXCHANGER-METERING VALVE		1

- ITEM NOT ILLUSTRATED

SAFRAN HELICOPTER ENGINES

ARRIEL 2 C1

ILLUSTRATED PARTS CATALOG

FIGURE ITEM	PART NUMBER	AIRL. STOCK No.	DESCRIPTION	EFFECT	QTY
			1 2 3 4 5 6 7		
01					
602	EN3686050014		ATTACHING PARTS . SCREW - V19005 (9836405014) ***		4
630	46012A00950		. PACKING,PREFORMED - VF0111 (9794410095)		1
640	46012A00950		. PACKING,PREFORMED - VF0111 (9794410095)		1

- ITEM NOT ILLUSTRATED

PAGE LEFT BLANK INTENTIONALLY

ARRIEL 2 C1

DETAILED PART LIST

CONTROLLING

73-20-00

TABLEAU D'EVOLUTION DES REFERENCES / TABLE OF P/N EVOLUTIONS / TABELLE FÜR TKZ - EVOLUTION

ITEM	P/N	TU 031A	TU 042A	TU 043A	TU 045A	TU 053	TU 056	TU 083A	TU 082A	TU 092	TU 105	TU 147	TU 148A	TU 157	TU 160	TU 133	TU 172	TU 178	TU 184	
010	0292928290																			
010A	0292928530	X																		
010B	0292928460	X	X																	
010C	0292928470	X	X	X																
010D	0292928560	X	X	X	X															
010E	0292928660	X	X		X															
010F	0292928700	X			X															
010G	0292928740	X	X	X	X	X														
010H	0292928820	X	X	X	X	X	X													
010J	0292858490	X	X	X	X	X	X	X												
010K	0292858440	X	X	X	X	X	X	X	X											
010L	0292858550	X	X	X	X	X	X	X	X	X										
010M	0292858860	X	X	X	X	X			X											
010N	0292858870	X	X	X	X	X			X											
010P	0292858880	X	X	X	X	X		X												
010Q	0292858890	X	X	X	X	X		X	X											
010R	0292858940	X	X	X	X	X				X										
010S	0292858950	X	X	X	X	X	X			X										
010T	0292868340	X	X	X	X	X	X	X	X	X	X									
010U	0292868410	X	X	X	X	X	X	X	X		X									
010V	0292868540	X	X	X	X	X	X		X	X										
010W	0292868860	X	X	X	X	X			X	X	X									
010X	0292868700	X	X	X	X	X		X	X	X	X									
010Y	0292860560	X	X	X	X	X		X		X	X									
010Z	0292850170	X	X	X	X	X	X	X	X	X	X									
010AA	0292860460	X	X	X	X	X	X	X	X	X	X	X	X							
010AB	0292861110	X	X	X	X	X		X		X	X		X							
010AC	0292861090	X	X	X	X	X				X	X		X							
010AD	0292860940	X	X	X	X	X	X	X	X	X	X	X	X	X						
010AE	0292861060	X	X	X	X	X	X	X	X	X	X	X	X	X	X					
010AF	0292861240	X	X	X	X	X	X	X	X	X	X	X	X	X	X					
010AG	0292861420	X	X	X	X	X	X	X	X	X	X	X	X	X	X	X				
010AH	0292861410	X	X	X	X	X	X		X	X	X	X	X	X	X	X				
010AJ	0292861400	X	X	X	X	X				X	X		X			X				
010AK	0292861900	X	X	X	X	X	X	X	X	X	X	X	X	X	X	X	X			
010AL	0292862160	X	X	X	X	X	X		X	X	X	X	X	X	X	X	X			
010AM	0292862140	X	X	X	X	X			X	X	X		X			X				
010AN	0292862460	X	X	X	X	X	X	X	X	X	X	X	X	X	X	X	X	X		

INST., PUMP AND METERING VALVE ASSY, ADJUSTED
Figure 01 (Sheet 1/3)

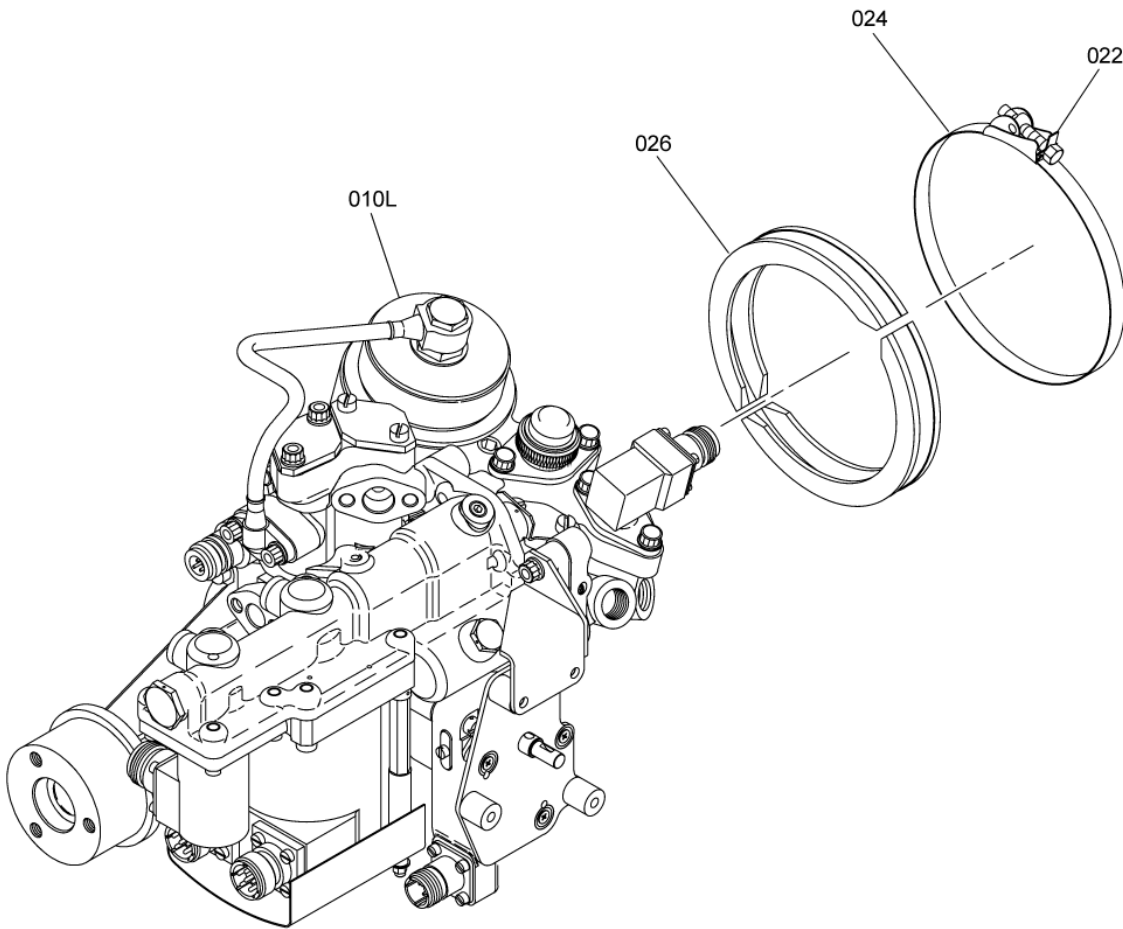
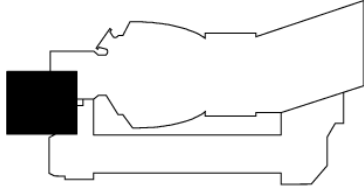
PAGE LEFT BLANK INTENTIONALLY

TABLEAU D'EVOLUTION DES REFERENCES / TABLE OF P/N EVOLUTIONS / TABELLE FÜR TKZ - EVOLUTION

ITEM	P/N	TU 031A	TU 042A	TU 043A	TU 045A	TU 053	TU 056	TU 083A	TU 082A	TU 092	TU 105	TU 147	TU 148A	TU 157	TU 160	TU 133	TU 172	TU 178	TU 184																				
010AP	0292862630	X	X	X	X	X	X	X	X	X	X		X	X	X		X	X																					
010AQ	0292862770	X	X	X	X	X	X		X	X	X	X	X	X		X	X																						
010AR	0292862800	X	X	X	X	X	X	X	X	X	X	X	X	X		X	X																						

INST.,PUMP AND METERING VALVE ASSY,ADJUSTED
 Figure 01 (Sheet 2/3)

PAGE LEFT BLANK INTENTIONALLY



INST.,PUMP AND METERING VALVE ASSY,ADJUSTED
Figure 01 (Sheet 3/3)

SAFRAN HELICOPTER ENGINES

ARRIEL 2 C1

ILLUSTRATED PARTS CATALOG

FIGURE ITEM	PART NUMBER	AIRL. STOCK No.	DESCRIPTION							EFFECT	QTY
			1	2	3	4	5	6	7		
01											
-001	-										RF
-010	0292928290										1
-010A	0292928530										1
-010B	0292928460										1
-010C	0292928470										1
-010D	0292928560										1
-010E	0292928660										1
-010F	0292928700										1
-010G	0292928740										1
-010H	0292928820										1

- ITEM NOT ILLUSTRATED

SAFRAN HELICOPTER ENGINES

ARRIEL 2 C1

ILLUSTRATED PARTS CATALOG

FIGURE ITEM	PART NUMBER	AIRL. STOCK No.	DESCRIPTION	EFFECT	QTY
			1 2 3 4 5 6 7		
01 -010J	0292858490		. PUMP AND METERING VALVE ASSY,ADJUSTED REPAIRABLE PRE TU 082A (AE 49643) POST TU 105 (AE 50922) AND POST TU 092 BECOMES ITEM 010Z POST TU 083A (AE 48205)		1
-010K	0292858440		. PUMP AND METERING VALVE ASSY,ADJUSTED REPAIRABLE POST TU 082A (AE 49643) POST TU 105 (AE 50922) BECOMES ITEM 010U PRE TU 092 (AE 50282)		1
010L	0292858550		. PUMP AND METERING VALVE ASSY,ADJUSTED REPAIRABLE POST TU 092 (AE 50282) PRE TU 105 (AE 50922)		1
-010M	0292858860		. PUMP AND METERING VALVE ASSY,ADJUSTED REPAIRABLE POST TU 082A (AE 49643) RETROFIT ITEM 010H		1
-010N	0292858870		. PUMP AND METERING VALVE ASSY,ADJUSTED REPAIRABLE POST TU 083A (AE 48205 AVT 1) BECOMES ITEM 010Q POST TU 082A (AE 49643) RETROFIT ITEM 010G		1
-010P	0292858880		. PUMP AND METERING VALVE ASSY,ADJUSTED REPAIRABLE POST TU 083A (AE 48205 AVT 1) RETROFIT ITEM 010G		1
-010Q	0292858890		. PUMP AND METERING VALVE ASSY,ADJUSTED REPAIRABLE POST TU 083A (AE 48205 AVT 1) RETROFIT ITEM 010N POST TU 105 (AE 50922) AND POST TU 092 BECOMES ITEM 010X		1
-010R	0292858940		. PUMP AND METERING VALVE ASSY,ADJUSTED REPAIRABLE POST TU 092 (AE 50282 AVT 1) RETROFIT ITEM 010G POST TU 082A BECOMES ITEM 010W POST TU 148A (AE 62919) AND POST TU 105 (AE 50922) BECOMES ITEM 010AC POST TU 105 (AE 50922) BECOMES ITEM 010W		1
-010S	0292858950		. PUMP AND METERING VALVE ASSY,ADJUSTED REPAIRABLE POST TU 092 (AE 50282 AVT 1) RETROFIT ITEM 010H POST TU 082A BECOMES ITEM 010V		1

- ITEM NOT ILLUSTRATED

SAFRAN HELICOPTER ENGINES

ARRIEL 2 C1

ILLUSTRATED PARTS CATALOG

FIGURE ITEM	PART NUMBER	AIRL. STOCK No.	DESCRIPTION	EFFECT	QTY
			1 2 3 4 5 6 7		
01 -010T	0292868340		. PUMP AND METERING VALVE ASSY,ADJUSTED REPAIRABLE POST TU 105 (AE 50922) AND PRE TU 148A (AE 62919) PRE TU 147 (AE 62899)		1
-010U	0292868410		. PUMP AND METERING VALVE ASSY,ADJUSTED REPAIRABLE POST TU 105 (AE 50922) RETROFIT ITEM 010K		1
-010V	0292868540		. PUMP AND METERING VALVE ASSY,ADJUSTED REPAIRABLE POST TU 082A (AE 49643) RETROFIT ITEM 010S		1
-010W	0292868860		. PUMP AND METERING VALVE ASSY,ADJUSTED REPAIRABLE POST TU 082A (AE 49643) AND POST TU 105 (AE 50922) RETROFIT ITEM 010R		1
-010X	0292868700		. PUMP AND METERING VALVE ASSY,ADJUSTED REPAIRABLE POST TU 092 AND POST TU 105 (AE 50922) RETROFIT ITEM 010Q		1
-010Y	0292860560		. PUMP AND METERING VALVE ASSY,ADJUSTED REPAIRABLE POST TU 083A (AE 48205) RETROFIT ITEM 010G POST TU 148A (AE 62919) BECOMES ITEM 010AB POST TU 105 (AE 50922) AND POST TU 092 (AE 50282) RETROFIT ITEM 010G		1
-010Z	0292850170		. PUMP AND METERING VALVE ASSY,ADJUSTED REPAIRABLE POST TU 105 (AE 50922) AND POST TU 092 (AE 50282) RETROFIT ITEM 010J		1
-010AA	0292860460		. PUMP AND METERING VALVE ASSY,ADJUSTED REPAIRABLE POST TU 147 (AE 62899) PRE TU 157 (AE 65137) AND POST TU 148A (AE 62919)		1
-010AB	0292861110		. PUMP AND METERING VALVE ASSY,ADJUSTED REPAIRABLE POST TU 148A (AE 62919) RETROFIT ITEM 010Y		1

- ITEM NOT ILLUSTRATED

SAFRAN HELICOPTER ENGINES

ARRIEL 2 C1

ILLUSTRATED PARTS CATALOG

FIGURE ITEM	PART NUMBER	AIRL. STOCK No.	DESCRIPTION	EFFECT	QTY
			1 2 3 4 5 6 7		
01 -010AC	0292861090		. PUMP AND METERING VALVE ASSY,ADJUSTED REPAIRABLE POST TU 105 (AE 50922) AND POST TU 148A (AE 62919) RETROFIT ITEM 010R POST TU 056 (AE 47200) BECOMES ITEM 010AF POST TU 133 (AE 87080) BECOMES ITEM 010AJ POST TU 147 (AE 62899) AND POST TU 157 (AE 65137) AND POST TU 160 (AE 65639) AND POST TU 082A (AE 49643) BECOMES ITEM 010AF		1
-010AD	0292860940		. PUMP AND METERING VALVE ASSY,ADJUSTED REPAIRABLE PRE TU 160 (AE 65639) POST TU 157 (AE 65137)		1
-010AE	0292861060		. PUMP AND METERING VALVE ASSY,ADJUSTED REPAIRABLE PRE TU 133 (AE 87080) POST TU 160 (AE 65639)		1
-010AF	0292861240		. PUMP AND METERING VALVE ASSY,ADJUSTED REPAIRABLE POST TU 056 (AE 47200) AND POST TU 082A (AE 49643) RETROFIT ITEM 010AC POST TU 133 (AE 87080) BECOMES ITEM 010AH POST TU 157 (AE 65137) AND POST TU 160 (AE 65639) AND POST TU 147 (AE 62899) RETROFIT ITEM 010AC		1
-010AG	0292861420		. PUMP AND METERING VALVE ASSY,ADJUSTED REPAIRABLE PRE TU 172 (AE 90110) POST TU 133 (AE 87080)		1
-010AH	0292861410		. PUMP AND METERING VALVE ASSY,ADJUSTED REPAIRABLE POST TU 172 (AE 90110) BECOMES ITEM 010AL POST TU 133 (AE 87080) RETROFIT ITEM 010AF		1
-010AJ	0292861400		. PUMP AND METERING VALVE ASSY,ADJUSTED REPAIRABLE POST TU 172 (AE 90110) BECOMES ITEM 010AM POST TU 133 (AE 87080) RETROFIT ITEM 010AC		1
-010AK	0292861900		. PUMP AND METERING VALVE ASSY,ADJUSTED REPAIRABLE POST TU 172 (AE 90110) PRE TU 178 (AE 89074)		1
-010AL	0292862160		. PUMP AND METERING VALVE ASSY,ADJUSTED REPAIRABLE POST TU 172 (AE 90110) RETROFIT ITEM 010AH		1

- ITEM NOT ILLUSTRATED

SAFRAN HELICOPTER ENGINES

ARRIEL 2 C1

ILLUSTRATED PARTS CATALOG

FIGURE ITEM	PART NUMBER	AIRL. STOCK No.	DESCRIPTION	EFFECT	QTY
			1 2 3 4 5 6 7		
01 -010AM	0292862140		. PUMP AND METERING VALVE ASSY,ADJUSTED REPAIRABLE POST TU 172 (AE 90110) RETROFIT ITEM 010AJ POST TU82A (AE 49643) AND POST TU147 (AE 62899) AND POST TU56 (AE 47200) AND POST TU157 (AE 65137) BECOMES ITEM 010AQ		1
-010AN	0292862460		. PUMP AND METERING VALVE ASSY,ADJUSTED REPAIRABLE PRE TU 184 (AE 95561) POST TU 178 (AE 89074)		1
-010AP	0292862630		. PUMP AND METERING VALVE ASSY,ADJUSTED REPAIRABLE POST TU 184 (AE 95561)		1
-010AQ	0292862770		. PUMP AND METERING VALVE ASSY,ADJUSTED REPAIRABLE POST TU83A (AE 48205) BECOMES ITEM 010AR POST TU82A (AE 49643) AND POST TU147 (AE 62899) AND POST TU157 (AE 65137) AND POST TU56 (AE 47200) RETROFIT ITEM 010AM		1
-010AR	0292862800		. PUMP AND METERING VALVE ASSY,ADJUSTED REPAIRABLE POST TU83A (AE 48205) RETROFIT ITEM 010AQ REFER TO CMM 73-23-13 FOR DETAILS		1
-020	0268987050		ATTACHING PARTS . COLLAR ASSY PRE ACR (AE 45854 AVT 2)		1
-020A	0268987150		. COLLAR ASSY POST ACR (AE 45854 AVT 2)		1
022	23350CA050		. . LOCK - VF0111 (9998050021)		1
024	9560114630		. . COLLAR - VF0215 (9560114630) PRE ACR (AE 45854 AVT 2) PART OF ITEM 020		1
-024A	9560169680		. . COLLAR - VF0215 (9560169680) POST ACR (AE 45854 AVT 2) PART OF ITEM 020A		1
026	0268980110		. HALF COLLAR ***		2

- ITEM NOT ILLUSTRATED

CHAPTER 74 - LIST OF EFFECTIVE PAGES

<u>Chapter Section Subject</u>	<u>Figure</u>	<u>Title</u>	<u>Pages</u>	<u>Date</u>
74		LIST OF EFFECTIVE PAGES	* 1 - 2	June 15/2019
74		TABLE OF CONTENTS	1 - 2	Nov. 30/2009
74-00-00	TITLE	SYSTEM, IGNITION	1	Nov. 30/2009
74-00-00	01	SYSTEM,IGNITION	0	Nov. 30/2009
74-00-00	01		1	Nov. 30/2009
74-10-00	TITLE	ELECTRICAL POWER SUPPLY	1	Nov. 30/2009
74-11-10	01	BOX,IGNITION	* 0	June 15/2019
74-11-10	01		* 1	June 15/2019
74-20-00	TITLE	DISTRIBUTION	1	Nov. 30/2009
74-24-10	01	CABLES,IGNITION	0	Dec. 30/2018
74-24-10	01		1	Dec. 30/2018

* Page modified following update No. 42

PAGE LEFT BLANK INTENTIONALLY

CHAPTER 74 - TABLE OF CONTENTS

<u>Title</u>	<u>Chapter Section Subject</u>	<u>Figure</u>
SYSTEM, IGNITION	74-00-00	
SYSTEM,IGNITION	74-00-00	01
ELECTRICAL POWER SUPPLY	74-10-00	
BOX,IGNITION	74-11-10	01
DISTRIBUTION	74-20-00	
CABLES,IGNITION	74-24-10	01

PAGE LEFT BLANK INTENTIONALLY

DETAILED PART LIST

SYSTEM, IGNITION

74-00-00

FIGURE NOT ILLUSTRATED

SYSTEM,IGNITION
Figure 01

TURBOMECA ARRIEL 2 C1

ILLUSTRATED PARTS CATALOG

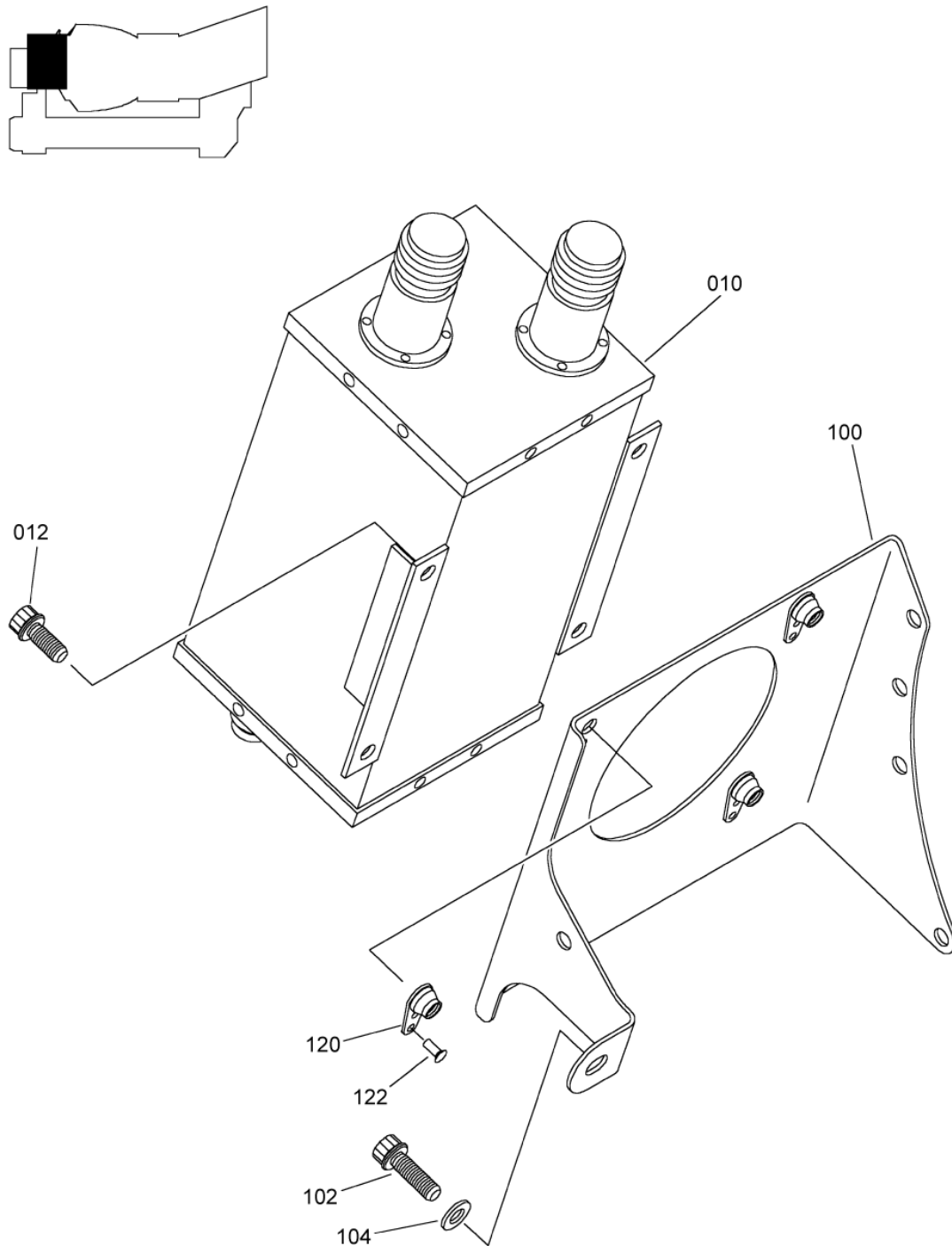
FIGURE ITEM	PART NUMBER	AIRL. STOCK No.	DESCRIPTION	EFFECT	QTY
			1 2 3 4 5 6 7		
01 -001	-		SYSTEM,IGNITION NON PROCURABLE REFER TO CHAP. 71-00-00 FIG.01 ITEM 060		RF
-010	-		. INST.,BOX,IGNITION NON PROCURABLE REFER TO CHAP.74-11-10 FOR DETAILS		1
-020	-		. INST.,CABLES,IGNITION NON PROCURABLE REFER TO CHAP.74-24-10 FOR DETAILS		1

- ITEM NOT ILLUSTRATED

DETAILED PART LIST

ELECTRICAL POWER SUPPLY

74-10-00



INST.,BOX,IGNITION
Figure 01

SAFRAN HELICOPTER ENGINES

ARRIEL 2 C1

ILLUSTRATED PARTS CATALOG

FIGURE ITEM	PART NUMBER	AIRL. STOCK No.	DESCRIPTION	EFFECT	QTY
			1 2 3 4 5 6 7		
01					
-001	-		INST.BOX,IGNITION NON PROCURABLE REFER TO CHAP. 74-00-00 FIG.01 ITEM 010		RF
010	HE931		. BOX,IGNITION - VF6840 (9550173220) NON REPAIRABLE PRE ACR (AE 48022)		1
-010A	HE 932		. BOX,IGNITION - VF6840 (9550177760) NON REPAIRABLE PRE ACR (AE 51566) POST ACR (AE 48022)		1
-010B	HE 3200 amdt e		. BOX,IGNITION - VF5496 (9550178070) NON REPAIRABLE POST ACR (AE 51566)		1
-010C	HE3201A		. BOX,IGNITION - VF5496 (9421003400) NON REPAIRABLE POST ACR (AE 93459) ALTERNATE ITEM 010B REFER TO ACMMB FOR DETAILS		1
-011	3100-0113		. . PROTECTION FILM - VF5496 (9550004800) POST ACR (AE 68199) ATTACHING PARTS		1
012	EN3686050012		. SCREW - VI9005 (9836405012) ***		4
100	0292677010		. SUPPORT,IGNITION BOX ATTACHING PARTS		1
102	EN3686050016		. SCREW - VI9005 (9836405016)		1
104	23112CF050		. WASHER - VF0111 (9975050024) ***		1
120	5SMR2205		. . ANCHOR NUT - VF0224 (9564090030) PRE ACR (AE 95508)		5
-120A	5 JSMR 20209 M		. . ANCHOR NUT - VF0224 (9564090090) POST ACR (AE 95508)		5
122	21217CA2406		. . RIVET - VF0111 (9961240621)		10

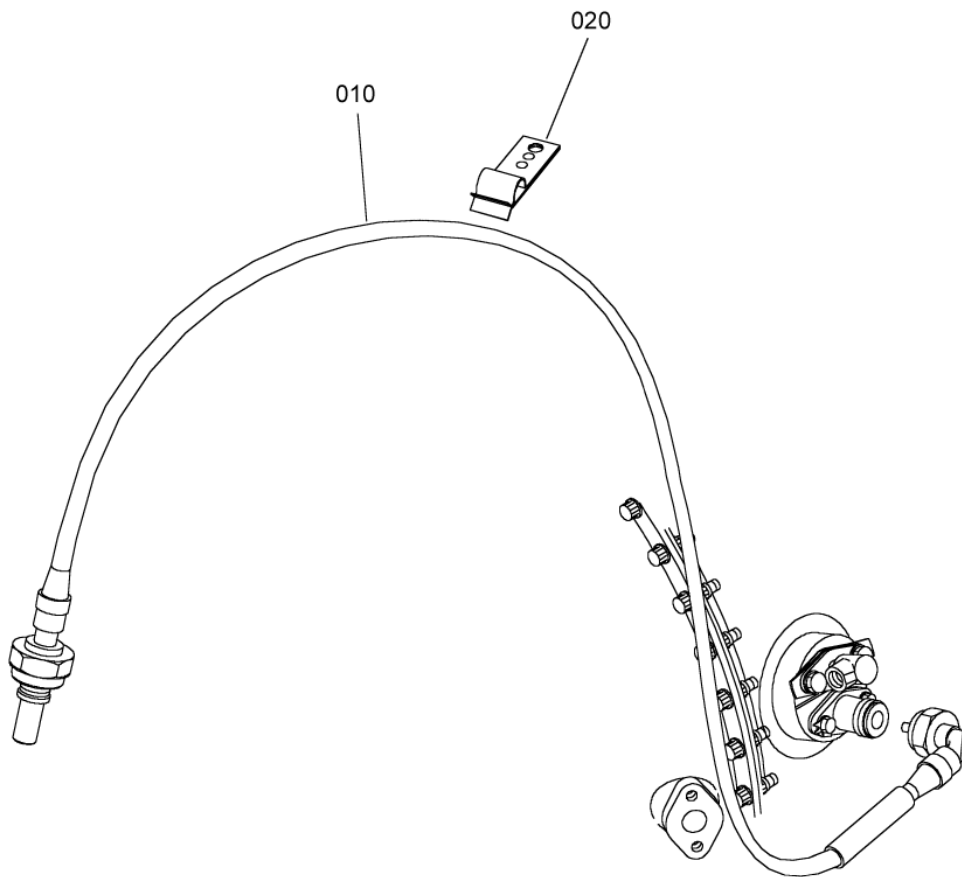
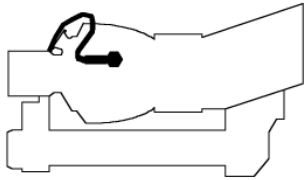
- ITEM NOT ILLUSTRATED

ARRIEL 2 C1

DETAILED PART LIST

DISTRIBUTION

74-20-00



INST.,CABLES,IGNITION
Figure 01

SAFRAN HELICOPTER ENGINES

ARRIEL 2 C1

ILLUSTRATED PARTS CATALOG

FIGURE ITEM	PART NUMBER	AIRL. STOCK No.	DESCRIPTION	EFFECT	QTY
			1 2 3 4 5 6 7		
01 -001	-		INST.,CABLES,IGNITION NON PROCURABLE REFER TO CHAP. 74-00-00 FIG.01 ITEM 020		RF
010	9048205-302		. CABLE,IGNITION - V59501 (9550171580) NON REPAIRABLE		2
-010A	CLB23060		. CABLE,IGNITION - VF6840 (9550171540) NON REPAIRABLE ALTERNATE ITEM 010 REFER TO ACMMB FOR DETAILS		2
020	0319767900		ATTACHING PARTS . CLIP ***		3

- ITEM NOT ILLUSTRATED

CHAPTER 75 - LIST OF EFFECTIVE PAGES

<u>Chapter Section Subject</u>	<u>Figure</u>	<u>Title</u>	<u>Pages</u>	<u>Date</u>
75		LIST OF EFFECTIVE PAGES	* 1 - 2	Dec. 30/2021
75		TABLE OF CONTENTS	1 - 2	Nov. 30/2009
75-00-00	TITLE	SYSTEM, AIR	1	Nov. 30/2009
75-00-00	01	SYSTEM,AIR	0	Nov. 30/2009
75-00-00	01		1	Nov. 30/2009
75-20-00	TITLE	COOLING	1	Nov. 30/2009
75-29-00	01-1/3	PIPES,AIR	0	Nov. 30/2015
75-29-00	BLANK		0	Nov. 30/2015
75-29-00	01-2/3		0	Nov. 30/2015
75-29-00	BLANK		0	Nov. 30/2015
75-29-00	01-3/3		0	Nov. 30/2015
75-29-00	01		1 - 3	Nov. 30/2015
75-30-00	TITLE	COMPRESSOR CONTROL	1	Nov. 30/2009
75-31-00	01	BLEED VALVE	* 0	Dec. 30/2021
75-31-00	01		* 1	Dec. 30/2021
75-40-00	TITLE	INDICATING	1	Nov. 30/2009
75-41-00	01	TRANSMITTER,P3 PRESSURE	0	Dec. 30/2018
75-41-00	01		1	Dec. 30/2018

* Page modified following update No. 47

PAGE LEFT BLANK INTENTIONALLY

CHAPTER 75 - TABLE OF CONTENTS

<u>Title</u>	<u>Chapter Section Subject</u>	<u>Figure</u>
SYSTEM, AIR	75-00-00	
SYSTEM,AIR	75-00-00	01
COOLING	75-20-00	
PIPES,AIR	75-29-00	01
COMPRESSOR CONTROL	75-30-00	
BLEED VALVE	75-31-00	01
INDICATING	75-40-00	
TRANSMITTER,P3 PRESSURE	75-41-00	01

PAGE LEFT BLANK INTENTIONALLY

DETAILED PART LIST

SYSTEM, AIR

75-00-00

FIGURE NOT ILLUSTRATED

SYSTEM,AIR
Figure 01

TURBOMECA ARRIEL 2 C1

ILLUSTRATED PARTS CATALOG

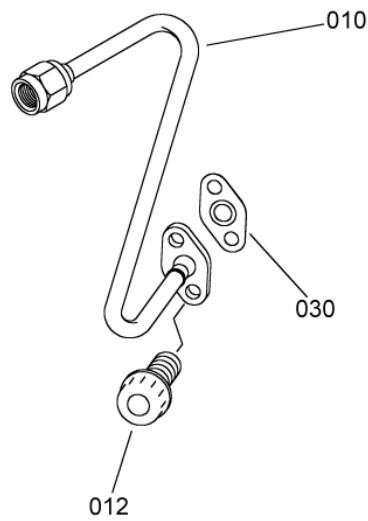
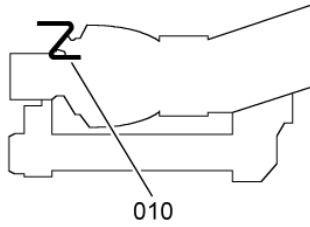
FIGURE ITEM	PART NUMBER	AIRL. STOCK No.	DESCRIPTION	EFFECT	QTY
			1 2 3 4 5 6 7		
01 -001	-		SYSTEM,AIR NON PROCURABLE REFER TO CHAP. 71-00-00 FIG.01 ITEM 070		RF
-010	-		. INST.,PIPES,AIR NON PROCURABLE REFER TO CHAP.75-29-00 FOR DETAILS		1
-020	-		. INST.,BLEED VALVE NON PROCURABLE REFER TO CHAP.75-31-00 FOR DETAILS		1
-030	-		. INST.,TRANSMITTER,P3 PRESSURE NON PROCURABLE REFER TO CHAP.75-41-00 FOR DETAILS		1

- ITEM NOT ILLUSTRATED

DETAILED PART LIST

COOLING

75-20-00

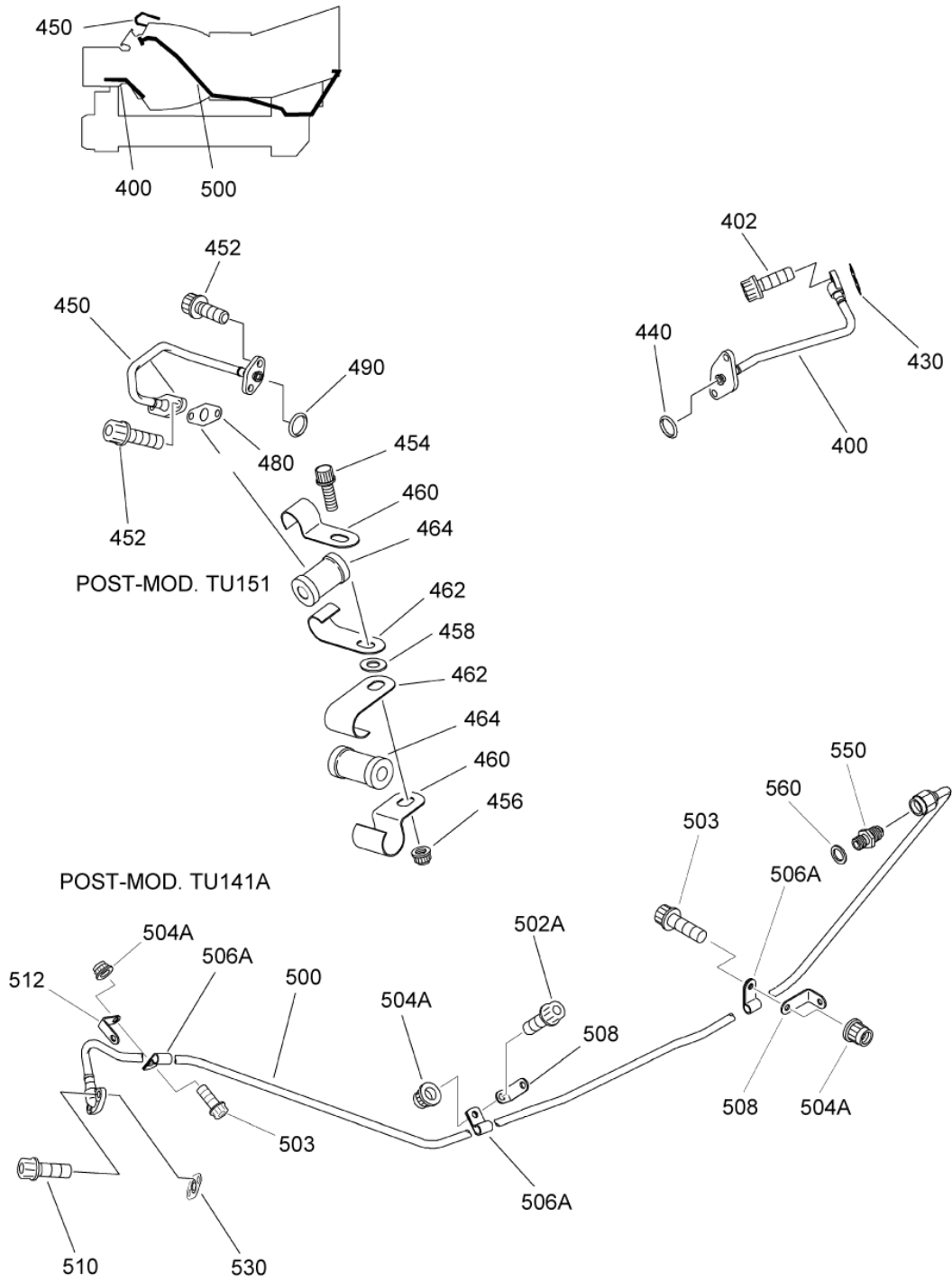


INST.,PIPES,AIR
Figure 01 (Sheet 1/3)

PAGE LEFT BLANK INTENTIONALLY

TURBOMECA ARRIEL 2 C1

ILLUSTRATED PARTS CATALOG

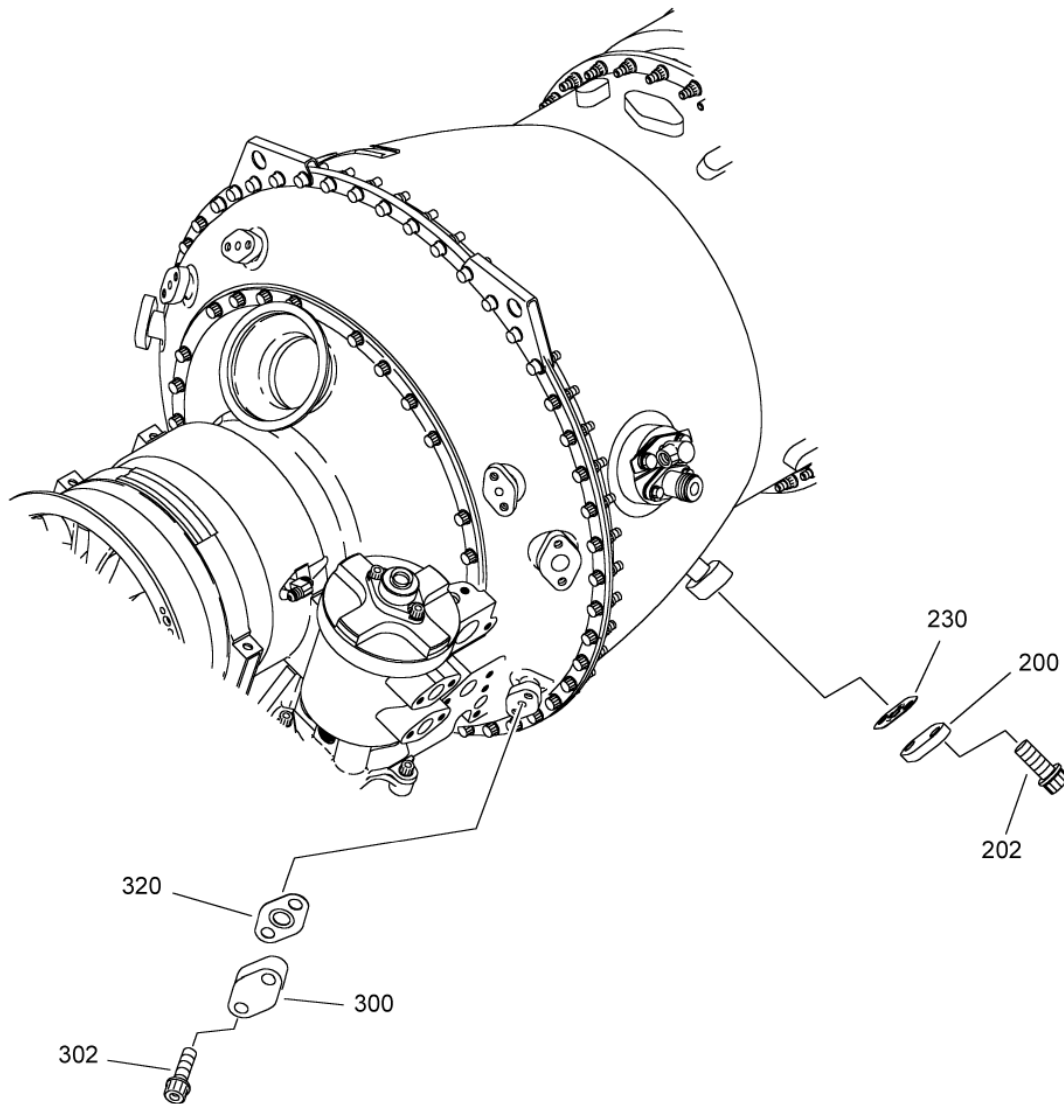
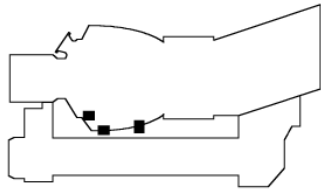


INST.,PIPES,AIR
Figure 01 (Sheet 2/3)

PAGE LEFT BLANK INTENTIONALLY

TURBOMECA ARRIEL 2 C1

ILLUSTRATED PARTS CATALOG



INST.,PIPES,AIR
Figure 01 (Sheet 3/3)

TURBOMECA ARRIEL 2 C1

ILLUSTRATED PARTS CATALOG

FIGURE ITEM	PART NUMBER	AIRL. STOCK No.	DESCRIPTION	EFFECT	QTY
			1 2 3 4 5 6 7		
01					
-001	-		INST.,PIPES,AIR NON PROCURABLE REFER TO CHAP. 75-00-00 FIG.01 ITEM 010		RF
010	0292687280		. PIPE,AIR BLEED VALVE SUPPLY		1
012	EN3686050014		ATTACHING PARTS . SCREW - VI9005 (9836405014) ***		2
030	9945000060		. GASKET,CORRUJOINT		1
200	9945300060		. BLANK		1
202	EN3686050012		ATTACHING PARTS . SCREW - VI9005 (9836405012) PRE ACR (AE 67946)		2
-202A	EN3686050014		. SCREW - VI9005 (9836405014) POST ACR (AE 67946) ***		2
230	9945000060		. GASKET,CORRUJOINT		1
-250	9945300120		. PLUG PRE ACR (AE 101772)		1
-252	EN3686050012		ATTACHING PARTS . SCREW - VI9005 (9836405012) PRE ACR (AE 101772) ***		2
-280	9945000120		. GASKET,CORRUJOINT PRE ACR (AE 101772)		1
300	9945300060		. BLANK		1
302	EN3686050014		ATTACHING PARTS . SCREW - VI9005 (9836405014) ***		2
320	9945000060		. GASKET,CORRUJOINT		1
400	0292687230		. PIPE,AIR P3,TRANSMITTER SUPPLY		1
402	EN3686050014		ATTACHING PARTS . SCREW - VI9005 (9836405014) ***		2
430	9945000060		. GASKET,CORRUJOINT		1
440	46012A00560		. PACKING,PREFORMED - VF0111 (9794410056)		1
450	0292687270		. PIPE,P3,P.S.S.D. VALVE SUPPLY PRE TU 151 (AE 67807)		1
-450A	0292680030		. PIPE,P3,P.S.S.D. VALVE SUPPLY POST TU 151 (AE 67807)		1
452	EN3686050014		ATTACHING PARTS . SCREW - VI9005 (9836405014)		4
454	EN3686050012		. SCREW - VI9005 (9836405012) POST TU 151 (AE 67807)		1

- ITEM NOT ILLUSTRATED

TURBOMECA ARRIEL 2 C1

ILLUSTRATED PARTS CATALOG

FIGURE ITEM	PART NUMBER	AIRL. STOCK No.	DESCRIPTION	EFFECT	QTY
			1 2 3 4 5 6 7		
01					
456	9866205026		. NUT 9866205026 IS THE TURBOMECA PART NUMBER FOR: VF0111 - 22526-050 VI9005 - EN2906-050 POST TU 151 (AE 67807)		1
458	23112CF050		. WASHER - VF0111 (9975050024) POST TU 151 (AE 67807)		1
460	AS12841		. HALF CLAMP - VU1653 (0400420010) POST TU 151 (AE 67807)		2
462	AS12811		. HALF CLAMP - VU1653 (0400410010) POST TU 151 (AE 67807)		2
464	AS12872		. SLEEVE - VU1653 (0400430060) POST TU 151 (AE 67807) ***		2
480	9945000060		. GASKET,CORRUJOINT		1
490	46012A00560		. PACKING,PREFORMED - VF0111 (9794410056)		1
500	0292687290		. PIPE,P3 PRESSUR.,PT LABYRINTH		1
			ATTACHING PARTS		
-502	EN3686050014		. SCREW - VI9005 (9836405014) PRE TU 141A (AE 62644)		2
502A	EN3686050014		. SCREW - VI9005 (9836405014) POST TU 141A (AE 62644)		1
503	EN3686050012		. SCREW - VI9005 (9836405012) POST TU 141A (AE 62644)		2
-504	9866205026		. NUT 9866205026 IS THE TURBOMECA PART NUMBER FOR: VF0111 - 22526-050 VI9005 - EN2906-050 PRE TU 141A (AE 62644)		2
504A	9866205026		. NUT 9866205026 IS THE TURBOMECA PART NUMBER FOR: VF0111 - 22526-050 VI9005 - EN2906-050 POST TU 141A (AE 62644)		3
-506	11N6		. CLAMP - VF0215 (9560154770) PRE TU 141A (AE 62644)		2
506A	11N6		. CLAMP - VF0215 (9560154770) POST TU 141A (AE 62644)		3
508	0301010540		. BRACKET,ANGLE		2
510	EN3686050014		. SCREW - VI9005 (9836405014)		2
512	0301010550		. BRACKET,ANGLE POST TU 141A (AE 62644) ***		1
530	9945000060		. GASKET,CORRUJOINT		1
550	9936300600		. NIPPLE		1
560	9752100100		. SEAL		1

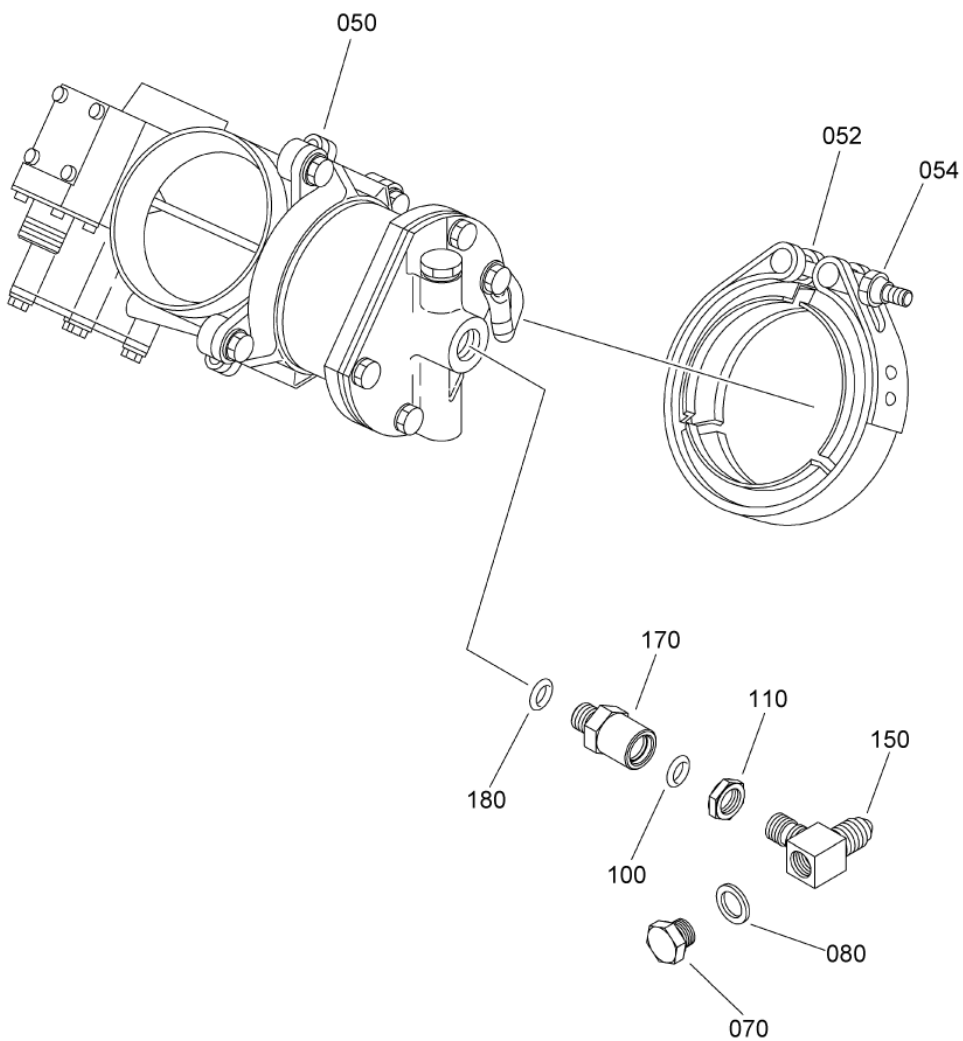
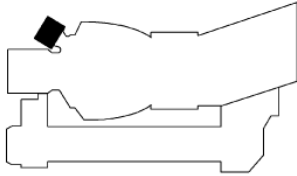
- ITEM NOT ILLUSTRATED

PAGE LEFT BLANK INTENTIONALLY

DETAILED PART LIST

COMPRESSOR CONTROL

75-30-00



INST.,BLEED VALVE
Figure 01

SAFRAN HELICOPTER ENGINES

ARRIEL 2 C1

ILLUSTRATED PARTS CATALOG

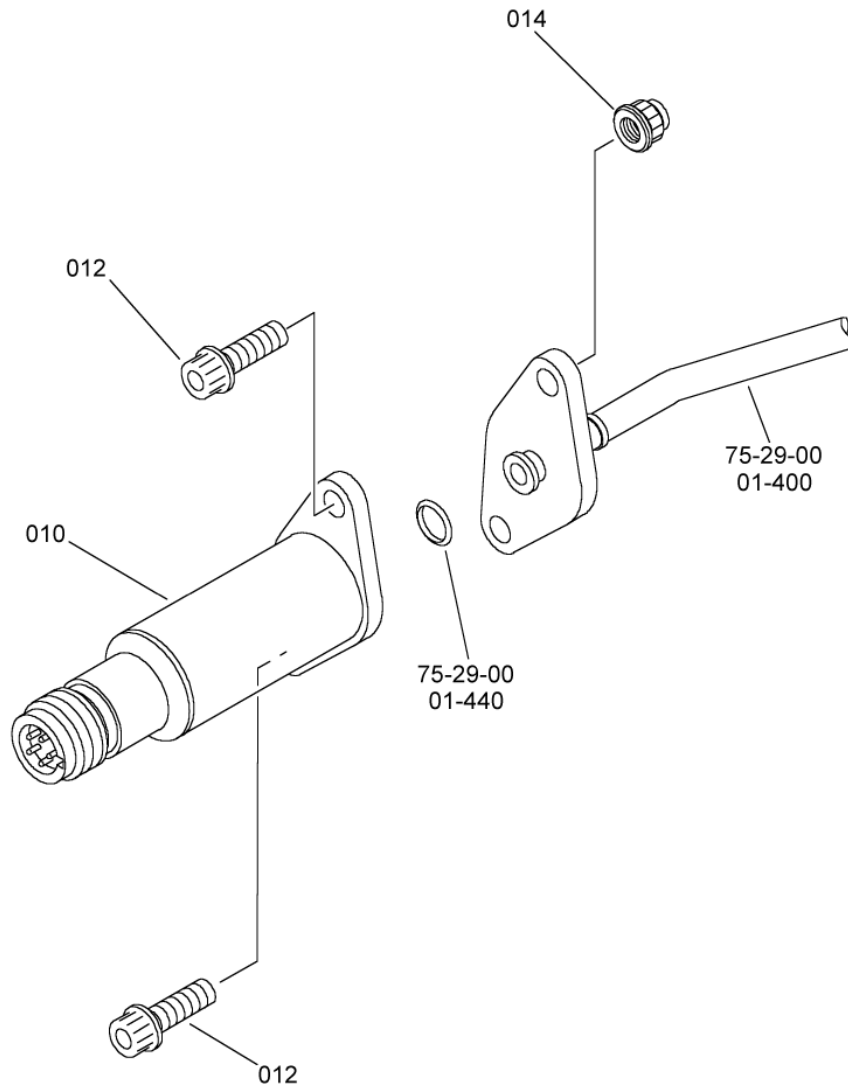
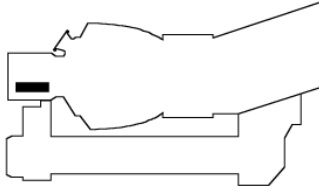
FIGURE ITEM	PART NUMBER	AIRL. STOCK No.	DESCRIPTION	EFFECT	QTY
			1 2 3 4 5 6 7		
01					
-001	-		INST. BLEED VALVE NON PROCURABLE REFER TO CHAP. 75-00-00 FIG.01 ITEM 020		RF
050	3162-300		. BLEED VALVE - VF1976 (9550158250) REPAIRABLE PRE ACR (AE 62892) PRE TU 085 (AE 49820)		1
-050A	7000		. BLEED VALVE - V90827 (9550164950) NON REPAIRABLE NON PROCURABLE PRE TU 085 (AE 49820) PRE ACR (AE 62892)		1
-050B	40EB03		. BLEED VALVE - VFANU6 (9550002500) REPAIRABLE POST ACR (AE 62892) ALTERNATE ITEMS 050 050A		1
-050C	1354000		. BLEED VALVE - VF1976 (9550178680) REPAIRABLE POST TU 085 (AE 49820) OPTIONAL REFER TO ACMMB FOR DETAILS		1
052	C6048-25.B-ISO		ATTACHING PARTS . COLLAR - VF6275 (9560125160) ***		1
054	EN3196-050		. . NUT - VI9005 (9867500501)		1
070	9786510100		. PLUG, THREADED		1
080	9752100100		. SEAL		1
100	9794080203		. PACKING, PREFORMED		1
110	9867201000		. NUT		1
150	0292680640		. UNION, 3 WAY		1
170	0292680570		. SPACER		1
180	9794080203		. PACKING, PREFORMED		1

- ITEM NOT ILLUSTRATED

DETAILED PART LIST

INDICATING

75-40-00



INST., TRANSMITTER, P3 PRESSURE
Figure 01

SAFRAN HELICOPTER ENGINES

ARRIEL 2 C1

ILLUSTRATED PARTS CATALOG

FIGURE ITEM	PART NUMBER	AIRL. STOCK No.	DESCRIPTION	EFFECT	QTY
			1 2 3 4 5 6 7		
01 -001	-		INST., TRANSMITTER, P3 PRESSURE NON PROCURABLE REFER TO CHAP. 75-00-00 FIG. 01 ITEM 030		RF
010	APT190-13BAR-A		. TRANSMITTER, PRESSURE, P3 - V34345 (9550166140) NON REPAIRABLE		1
-010A	CZ5MC6-3		. TRANSMITTER, PRESSURE, P3 - VF2276 (9550171420) NON REPAIRABLE POST ACR (AE 98277) ALTERNATE ITEM 010 REFER TO ACMMB FOR DETAILS		1
012	EN3686050016		ATTACHING PARTS . SCREW - VI9005 (9836405016)		2
014	9866205026		. NUT 9866205026 IS THE SAFRAN HELICOPTER ENGINES PART NUMBER FOR: VF0111 - 22526-050 VI9005 - EN2906-050 ***		1

- ITEM NOT ILLUSTRATED

CHAPTER 77 - LIST OF EFFECTIVE PAGES

<u>Chapter Section Subject</u>	<u>Figure</u>	<u>Title</u>	<u>Pages</u>	<u>Date</u>
77		LIST OF EFFECTIVE PAGES	* 1 - 2	June 15/2023
77		TABLE OF CONTENTS	1 - 2	Nov. 30/2009
77-00-00	TITLE	ENGINE INDICATING	1	Nov. 30/2009
77-00-00	01	SYSTEM,ENGINE INDICATING	0	Nov. 30/2016
77-00-00	01		1	Nov. 30/2016
77-10-00	TITLE	POWER	1	Nov. 30/2009
77-11-00	01	SENSOR,N1	* 0	June 15/2023
77-11-00	01		* 1	June 15/2023
77-12-00	01	SENSOR,N2	* 0	June 15/2023
77-12-00	01		* 1 - 3	June 15/2023
77-20-00	TITLE	TEMPERATURE	1	Nov. 30/2009
77-21-00	01	HARNES,PYROMETRIC	0	Dec. 30/2018
77-21-00	01		1 - 3	Dec. 30/2018

* Page modified following update No. 50

PAGE LEFT BLANK INTENTIONALLY

CHAPTER 77 - TABLE OF CONTENTS

<u>Title</u>	<u>Chapter Section Subject</u>	<u>Figure</u>
ENGINE INDICATING	77-00-00	
SYSTEM,ENGINE INDICATING	77-00-00	01
POWER	77-10-00	
SENSOR,N1	77-11-00	01
SENSOR,N2	77-12-00	01
TEMPERATURE	77-20-00	
HARNESS,PYROMETRIC	77-21-00	01

PAGE LEFT BLANK INTENTIONALLY

DETAILED PART LIST

ENGINE INDICATING

77-00-00

FIGURE NOT ILLUSTRATED

SYSTEM,ENGINE INDICATING
Figure 01

TURBOMECA ARRIEL 2 C1

ILLUSTRATED PARTS CATALOG

FIGURE ITEM	PART NUMBER	AIRL. STOCK No.	DESCRIPTION	EFFECT	QTY
			1 2 3 4 5 6 7		
01					
-001	-		SYSTEM,ENGINE INDICATING NON PROCURABLE REFER TO CHAP. 71-00-00 FIG.01 ITEM 080		RF
-010	-		. INST.,SENSOR,N1 NON PROCURABLE REFER TO CHAP.77-11-00 FOR DETAILS		1
-020	-		. INST.,SENSOR,N2 NON PROCURABLE PRE TU 089 (AE 47359 AVT 2) PRE TU 121A (AE 51397) PRE TU 101A (AE 47162 AVT 3)		1
-020A	-		. INST.,SENSOR,N2 NON PROCURABLE POST TU 101A (AE 47162 AVT 3)		1
-020B	-		. INST.,SENSOR,N2 NON PROCURABLE POST TU 089 (AE 47359 AVT 2)		1
-020C	-		. INST.,SENSOR,N2 NON PROCURABLE POST TU 121A (AE 51397) REFER TO CHAP.77-12-00 FOR DETAILS		1
-030	-		. INST.,HARNESS,PYROMETRIC NON PROCURABLE REFER TO CHAP.77-21-00 FOR DETAILS		1

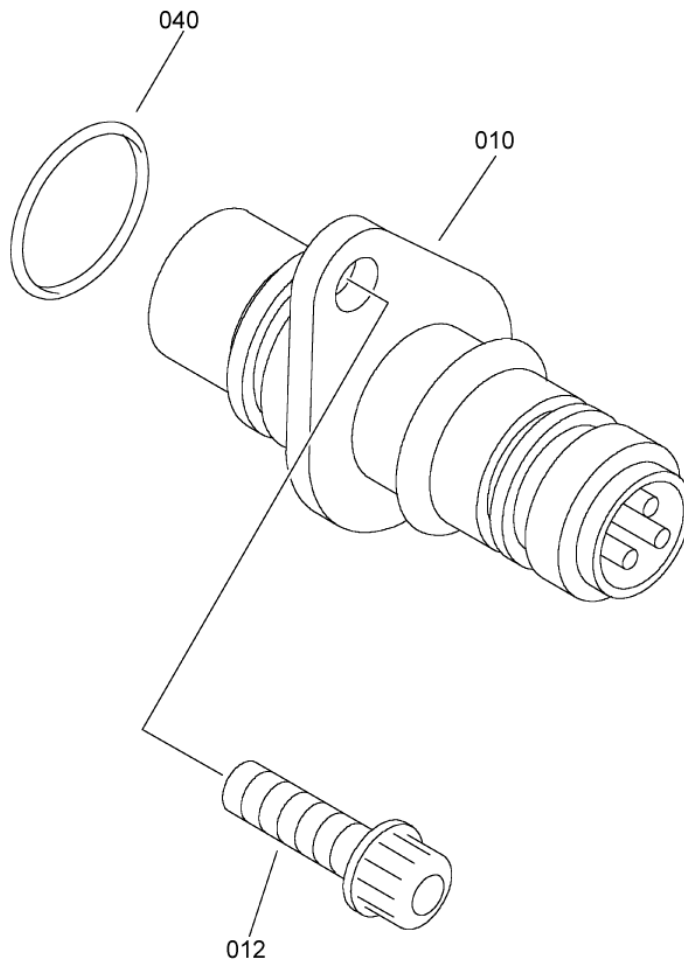
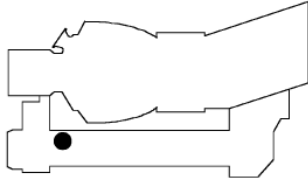
- ITEM NOT ILLUSTRATED

ARRIEL 2 C1

DETAILED PART LIST

POWER

77-10-00



INST.,SENSOR,N1
Figure 01

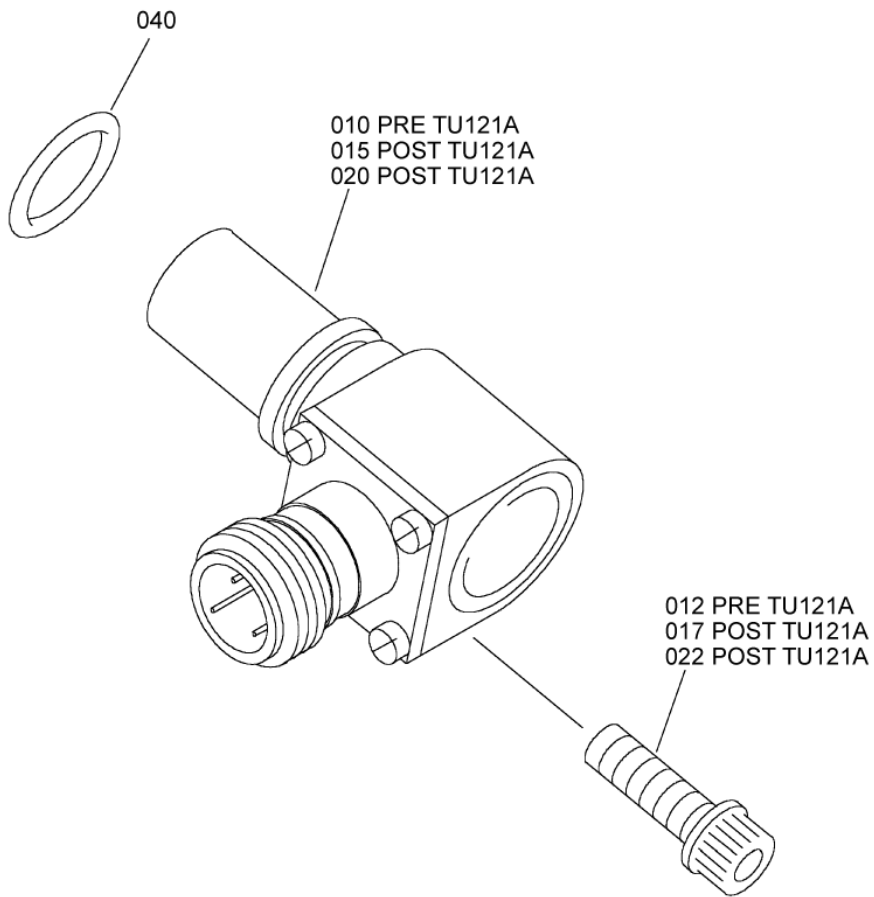
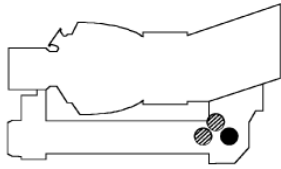
SAFRAN HELICOPTER ENGINES

ARRIEL 2 C1

ILLUSTRATED PARTS CATALOG

FIGURE ITEM	PART NUMBER	AIRL. STOCK No.	DESCRIPTION	EFFECT	QTY
			1 2 3 4 5 6 7		
01					
-001	-		INST.SENSOR,N1 NON PROCURABLE REFER TO CHAP. 77-00-00 FIG.01 ITEM 010		RF
010	1409-000		. SENSOR,SPEED - VF1976 (9550165760) NON REPAIRABLE PRE ACR (AE 47358) PRE TU101 (AE 47162 AVT2)		1
-010A	1604-300		. SENSOR,SPEED - VF1976 (9550177390) NON REPAIRABLE POST ACR (AE 47358) PRE TU 101A (AE 47162 AVT 2) PRE ACR (AE 50610)		1
-010B	1604300-01		. SENSOR,SPEED - VF1976 (9550179190) NON REPAIRABLE NON PROCURABLE POST ACR (AE 50610)		1
-010C	VIT7100040		. SENSOR,SPEED - VF6840 (9550175810) POST TU101 (AE 47162 AVT2) REFER TO ACMMB FOR DETAILS		1
012	EN3686050016		ATTACHING PARTS . SCREW - VI9005 (9836405016) PRE ACR (AE 47743)		1
-012A	EN3686050014		. SCREW - VI9005 (9836405014) POST ACR (AE 47743) ***		1
040	46012A01400		. PACKING,PREFORMED - VF0111 (9794410140)		1

- ITEM NOT ILLUSTRATED



INST.,SENSOR,N2
Figure 01

SAFRAN HELICOPTER ENGINES

ARRIEL 2 C1

ILLUSTRATED PARTS CATALOG

FIGURE ITEM	PART NUMBER	AIRL. STOCK No.	DESCRIPTION	EFFECT	QTY
			1 2 3 4 5 6 7		
01					
-001	-		INST.,SENSOR,N2 NON PROCURABLE PRE TU 089 (AE 47359 AVT 2) PRE TU 121A (AE 51397) PRE TU 101A (AE 47162 AVT 3)	a	RF
-001A	-		INST.,SENSOR,N2 NON PROCURABLE POST TU 101A (AE 47162 AVT 3)	b	RF
-001B	-		INST.,SENSOR,N2 NON PROCURABLE POST TU 089 (AE 47359 AVT 2)	c	RF
-001C	-		INST.,SENSOR,N2 NON PROCURABLE POST TU 121A (AE 51397) REFER TO CHAP. 77-00-00 FIG.01 ITEM 020	d	RF
010	1424-000		. SENSOR,SPEED - VF1976 (9550168670) NON REPAIRABLE PRE TU 089 (AE 47359 AVT 2) PRE TU 121A (AE 51397) PRE TU 101A (AE 47162 AVT 3)	a	3
-010A	610523-02		. SENSOR,SPEED - V97424 (9550172120) NON REPAIRABLE NON PROCURABLE ALTERNATE ITEM 010	a	3
-010B	VIT7100030		. SENSOR,SPEED - VF6840 (9550175800) NON REPAIRABLE POST TU 101A (AE 47162 AVT 3) PRE TU121A (AE 51397) ALTERNATE ITEM 010	b	3
-010C	1604-000		. SENSOR,SPEED - VF1976 (9550177360) NON REPAIRABLE PRE ACR (AE 50609) POST TU 089 (AE 47359 AVT 2)	c	3
-010D	1604000-01		. SENSOR,SPEED - VF1976 (9550179160) NON REPAIRABLE NON PROCURABLE POST ACR (AE 50609) PRE TU 121A (AE 51397)	c	3
-010E	VIT7100030		DELETED - VF6840 (9550175800)		
-010F	388Z-05644		. SENSOR,SPEED - VS3866 (9550000100) NON REPAIRABLE POST ACR (AE 95013) PRE TU121A (AE 51397) REFER TO ACMMB FOR DETAILS		3
-010G			DELETED		
-010H			DELETED		
-010J			DELETED		
-010K			DELETED		

- ITEM NOT ILLUSTRATED

SAFRAN HELICOPTER ENGINES

ARRIEL 2 C1

ILLUSTRATED PARTS CATALOG

FIGURE ITEM	PART NUMBER	AIRL. STOCK No.	DESCRIPTION	EFFECT	QTY
			1 2 3 4 5 6 7		
01					
012	EN3686050016		. ATTACHING PARTS . SCREW - VI9005 (9836405016) PRE ACR (AE 47743)		3
-012A	EN3686050014		. SCREW - VI9005 (9836405014) POST ACR (AE 47743) PRE TU121A (AE 51397) ***		3
015	1604-000		. SENSOR,SPEED - VF1976 (9550177360) NON REPAIRABLE POST TU121A (AE 51397) USE WITH ITEM 020A		1
-015A	VIT7100030		. SENSOR,SPEED - VF6840 (9550175800) NON REPAIRABLE POST TU121A (AE 51397) USE WITH ITEM 020 REFER TO ACMMB FOR DETAILS		1
017	EN3686050016		. ATTACHING PARTS . SCREW - VI9005 (9836405016) POST TU121A (AE 51397) PRE ACR (AE 47743)		1
-017A	EN3686050014		. SCREW - VI9005 (9836405014) POST ACR (AE 47743) ***		1
020	1604-000		. SENSOR,SPEED - VF1976 (9550177360) NON REPAIRABLE POST TU121A (AE 51397) USE WITH ITEM 015A		2
-020A	VIT7100030		. SENSOR,SPEED - VF6840 (9550175800) NON REPAIRABLE POST TU121A (AE 51397) USE WITH ITEM 015		2
022	EN3686050016		. ATTACHING PARTS . SCREW - VI9005 (9836405016) NON REPAIRABLE POST TU121A (AE 51397) PRE ACR (AE 47743)		2
-022A	EN3686050014		. SCREW - VI9005 (9836405014) POST ACR (AE 47743) ***		2
040	9681801222		. PACKING,PREFORMED		3

- ITEM NOT ILLUSTRATED

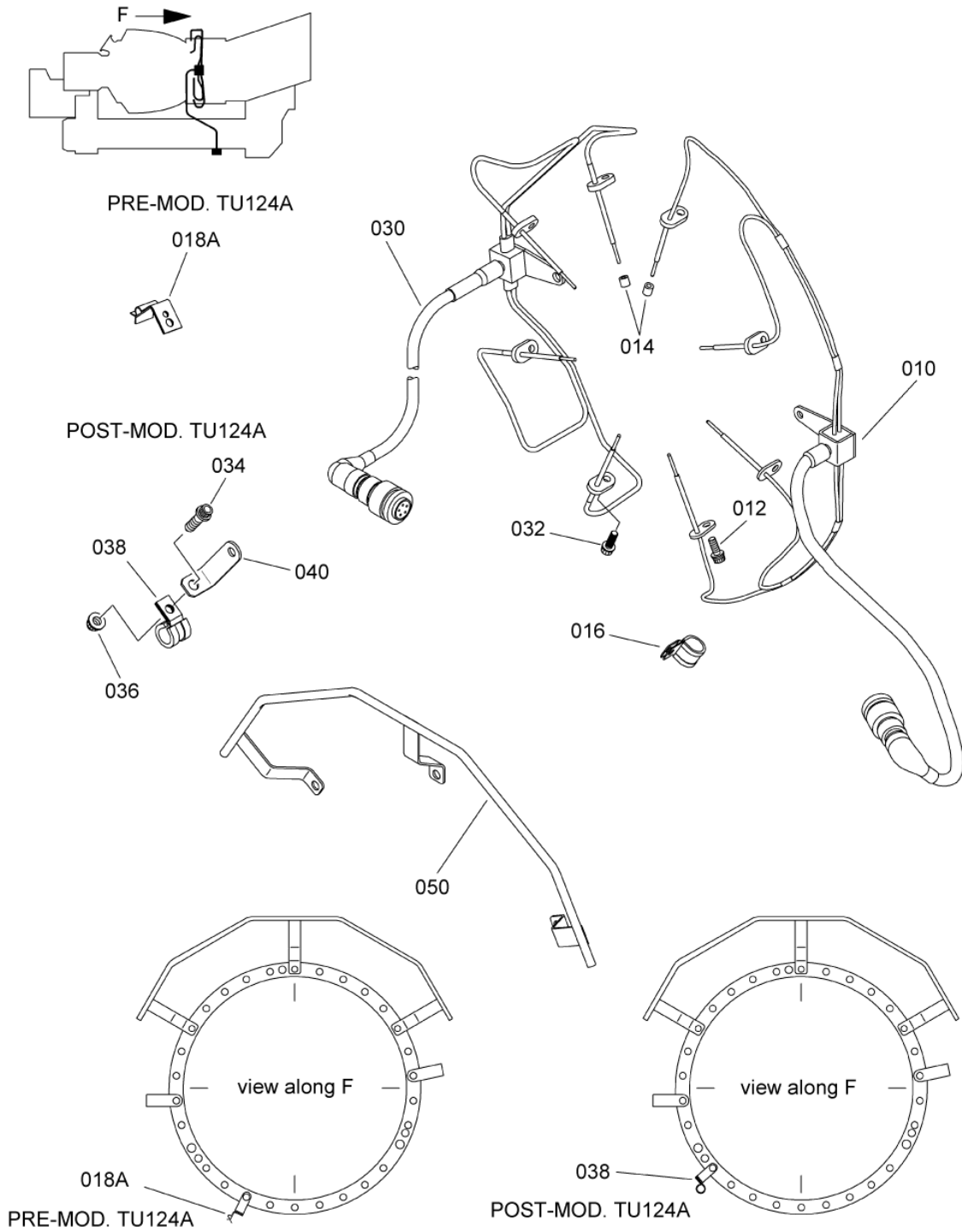
PAGE LEFT BLANK INTENTIONALLY

ARRIEL 2 C1

DETAILED PART LIST

TEMPERATURE

77-20-00



INST.,HARNESS,PYROMETRIC
Figure 01

SAFRAN HELICOPTER ENGINES

ARRIEL 2 C1

ILLUSTRATED PARTS CATALOG

FIGURE ITEM	PART NUMBER	AIRL. STOCK No.	DESCRIPTION	EFFECT	QTY
			1 2 3 4 5 6 7		
01					
-001	-		INST.,HARNES,PYROMETRIC NON PROCURABLE REFER TO CHAP. 77-00-00 FIG.01 ITEM 030		RF
010	TC330-01		. HARNES,PYROMETRIC - VF2276 (9550176740) NON REPAIRABLE PRE TU 071A (AE 48914)		1
-010A	TC382-00		. HARNES,PYROMETRIC - VF2276 (9550178230) NON REPAIRABLE POST TU 071A (AE 48914)		1
-010B	TCH03-K10-100		. HARNES,PYROMETRIC - VF7917 (9550178220) NON REPAIRABLE POST ACR (AE 50287) ALTERNATE ITEM 010A REFER TO ACMMB FOR DETAILS		1
012	EN2928-050010		ATTACHING PARTS . SCREW - VI9005 (9836005010) ***		4
014	0292760340		. SLEEVE PRE TU 071A (AE 48914)		2
-014A	0292760420		. SLEEVE POST TU 071A (AE 48914)		2
016	21F9,5		. CLAMP - VF0215 (9562811260)		1
-018	0333767010		. CLIP PRE ACR (AE 50568)		1
018A	0319767180		. CLIP PRE TU 124A (AE 51513) POST ACR (AE 50568)		1
030	TC330-01		. HARNES,PYROMETRIC - VF2276 (9550176740) NON REPAIRABLE PRE TU 071A (AE 48914)		1
-030A	TC382-00		. HARNES,PYROMETRIC - VF2276 (9550178230) NON REPAIRABLE PRE ACR (AE 50287) POST TU 071A (AE 48914)		1
-030B	TCH03-K10-100		. HARNES,PYROMETRIC - VF7917 (9550178220) NON REPAIRABLE POST ACR (AE 50287) ALTERNATE ITEM 030A REFER TO ACMMB FOR DETAILS		1
032	EN2928-050010		ATTACHING PARTS . SCREW - VI9005 (9836005010)		4
034	EN3686050014		. SCREW - VI9005 (9836405014) POST TU 124A (AE 51513)		1
036	9866205026		. NUT 9866205026 IS THE SAFRAN HELICOPTER ENGINES PART NUMBER FOR: VF0111 - 22526-050 VI9005 - EN2906-050 POST TU 124A (AE 51513)		1

- ITEM NOT ILLUSTRATED

SAFRAN HELICOPTER ENGINES

ARRIEL 2 C1

ILLUSTRATED PARTS CATALOG

FIGURE ITEM	PART NUMBER	AIRL. STOCK No.	DESCRIPTION	EFFECT	QTY
			1 2 3 4 5 6 7		
01					
038	21F9,5		. CLAMP - VF0215 (9562811260) POST TU 124A (AE 51513)		1
040	0333750630		. BRACKET,ANGLE POST TU 124A (AE 51513) ***		1
050	0292767070		. PROTECTION,PYROMETRIC HARNESS		1

- ITEM NOT ILLUSTRATED

PAGE LEFT BLANK INTENTIONALLY

CHAPTER 79 - LIST OF EFFECTIVE PAGES

<u>Chapter Section Subject</u>	<u>Figure</u>	<u>Title</u>	<u>Pages</u>	<u>Date</u>
79		LIST OF EFFECTIVE PAGES	* 1 - 2	June 15/2023
79		TABLE OF CONTENTS	1 - 2	Nov. 30/2009
79-00-00	TITLE	SYSTEM, OIL	1	Nov. 30/2009
79-00-00	01	SYSTEM,OIL	0	Nov. 30/2009
79-00-00	01		1	Nov. 30/2009
79-20-00	TITLE	DISTRIBUTION	1	Nov. 30/2009
79-24-00	01	OIL PUMP	* 0	June 15/2023
79-24-00	01		* 1 - 3	June 15/2023
79-25-00	01	VALVE ASSY	0	Nov. 30/2015
79-25-00	01		1	Nov. 30/2015
79-29-00	01-1/2	PIPES,OIL	0	June 15/2021
79-29-00	BLANK		0	June 15/2021
79-29-00	01-2/2		0	June 15/2021
79-29-00	01		1 - 3	June 15/2021
79-30-00	TITLE	INDICATING	1	Nov. 30/2009
79-31-00	01	SWITCH,LOW OIL PRESSURE	0	Nov. 30/2015
79-31-00	01		1	Nov. 30/2015
79-38-00	01	PLUGS,ELECTRIC MAGNETIC	0	Nov. 30/2015
79-38-00	01		1	Nov. 30/2015

* Page modified following update No. 50

PAGE LEFT BLANK INTENTIONALLY

CHAPTER 79 - TABLE OF CONTENTS

<u>Title</u>	<u>Chapter Section Subject</u>	<u>Figure</u>
SYSTEM, OIL	79-00-00	
SYSTEM,OIL	79-00-00	01
DISTRIBUTION	79-20-00	
OIL PUMP	79-24-00	01
VALVE ASSY	79-25-00	01
PIPES,OIL	79-29-00	01
INDICATING	79-30-00	
SWITCH,LOW OIL PRESSURE	79-31-00	01
PLUGS,ELECTRIC MAGNETIC	79-38-00	01

PAGE LEFT BLANK INTENTIONALLY

DETAILED PART LIST

SYSTEM, OIL

79-00-00

FIGURE NOT ILLUSTRATED

SYSTEM,OIL
Figure 01

TURBOMECA ARRIEL 2 C1

ILLUSTRATED PARTS CATALOG

FIGURE ITEM	PART NUMBER	AIRL. STOCK No.	DESCRIPTION	EFFECT	QTY
			1 2 3 4 5 6 7		
01 -001	-		SYSTEM,OIL NON PROCURABLE REFER TO CHAP. 71-00-00 FIG.01 ITEM 090		RF
-010	-		. INST.,OIL PUMP NON PROCURABLE REFER TO CHAP.79-24-00 FOR DETAILS		1
-020	-		. INST.,VALVE ASSY NON PROCURABLE REFER TO CHAP.79-25-00 FOR DETAILS		1
-030	-		. INST.,PIPES,OIL NON PROCURABLE REFER TO CHAP.79-29-00 FOR DETAILS		1
-040	-		. INST.,SWITCH,LOW OIL PRESSURE NON PROCURABLE REFER TO CHAP.79-31-00 FOR DETAILS		1
-050	-		. INST.,PLUGS,ELECTRIC MAGNETIC NON PROCURABLE REFER TO CHAP.79-38-00 FOR DETAILS		1

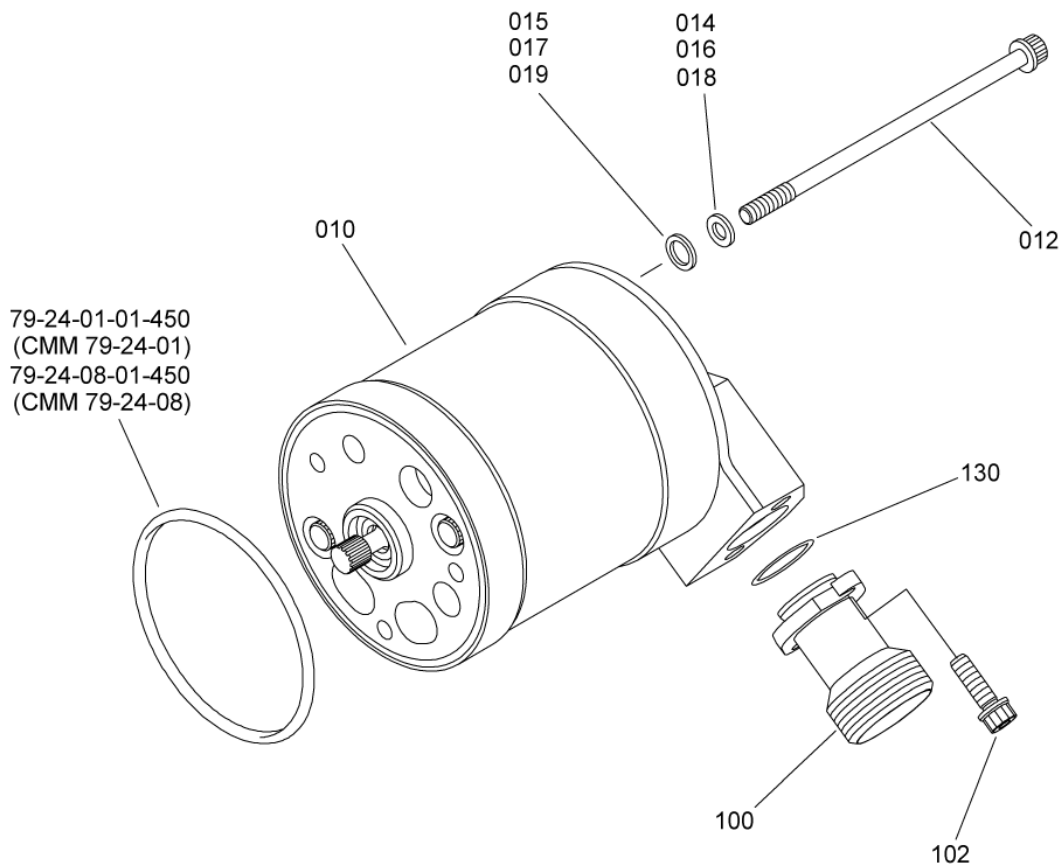
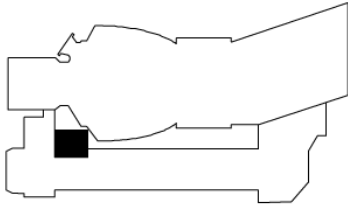
- ITEM NOT ILLUSTRATED

ARRIEL 2 C1

DETAILED PART LIST

DISTRIBUTION

79-20-00



INST.,OIL PUMP
Figure 01

SAFRAN HELICOPTER ENGINES

ARRIEL 2 C1

ILLUSTRATED PARTS CATALOG

FIGURE ITEM	PART NUMBER	AIRL. STOCK No.	DESCRIPTION	EFFECT	QTY
			1 2 3 4 5 6 7		
01					
-001	-		INST.OIL PUMP NON PROCURABLE REFER TO CHAP. 79-00-00 FIG.01 ITEM 010		RF
010	0292125070		. PUMP,OIL REPAIRABLE PRE TU 052 (AE 47171) REFER TO CMM 79-24-08 FOR DETAILS		1
-010A	0292125060		. PUMP,OIL REPAIRABLE PRE TU 136A (AE 49493) POST TU 052 (AE 47171) POST TU230 (AE 122110) AND POST TU136A (AE 49493) BECOMES ITEM 010E REFER TO CMM 79-24-01 FOR DETAILS		1
-010B	0292125120		. PUMP,OIL REPAIRABLE PRE TU 136A (AE 49493) POST IMS 01 BECOMES ITEM 010D POST TU230 (AE 122110) AND POST TU136A (AE 49493) BECOMES ITEM 010F REFER TO CMM 79-24-01 FOR DETAILS		1
-010C	0292125150		. PUMP,OIL REPAIRABLE POST IMS 02 BECOMES ITEM 010D POST TU 136A (AE 49493) PRE TU230 (AE 122110) REFER TO CMM 79-24-01 FOR DETAILS		1
-010D	0292125130		. PUMP,OIL REPAIRABLE POST IMS 01 RETROFIT ITEM 010B POST IMS 02 RETROFIT ITEM 010C POST TU 136A (AE 49493) PRE TU230 (AE 122110) REFER TO CMM 79-24-01 FOR DETAILS		1
-010E	0292121000		. PUMP,OIL REPAIRABLE POST TU230 (AE 122110) POST TU230 (AE 122110) AND POST TU136A (AE 49493) RETROFIT ITEM 010A REFER TO CMM 79-24-01 FOR DETAILS		1
-010F	0292121020		. PUMP,OIL REPAIRABLE POST TU230 (AE 122110) POST TU230 (AE 122110) AND POST TU136A (AE 49493) RETROFIT ITEM 010B REFER TO CMM 79-24-01 FOR DETAILS		1

- ITEM NOT ILLUSTRATED

SAFRAN HELICOPTER ENGINES

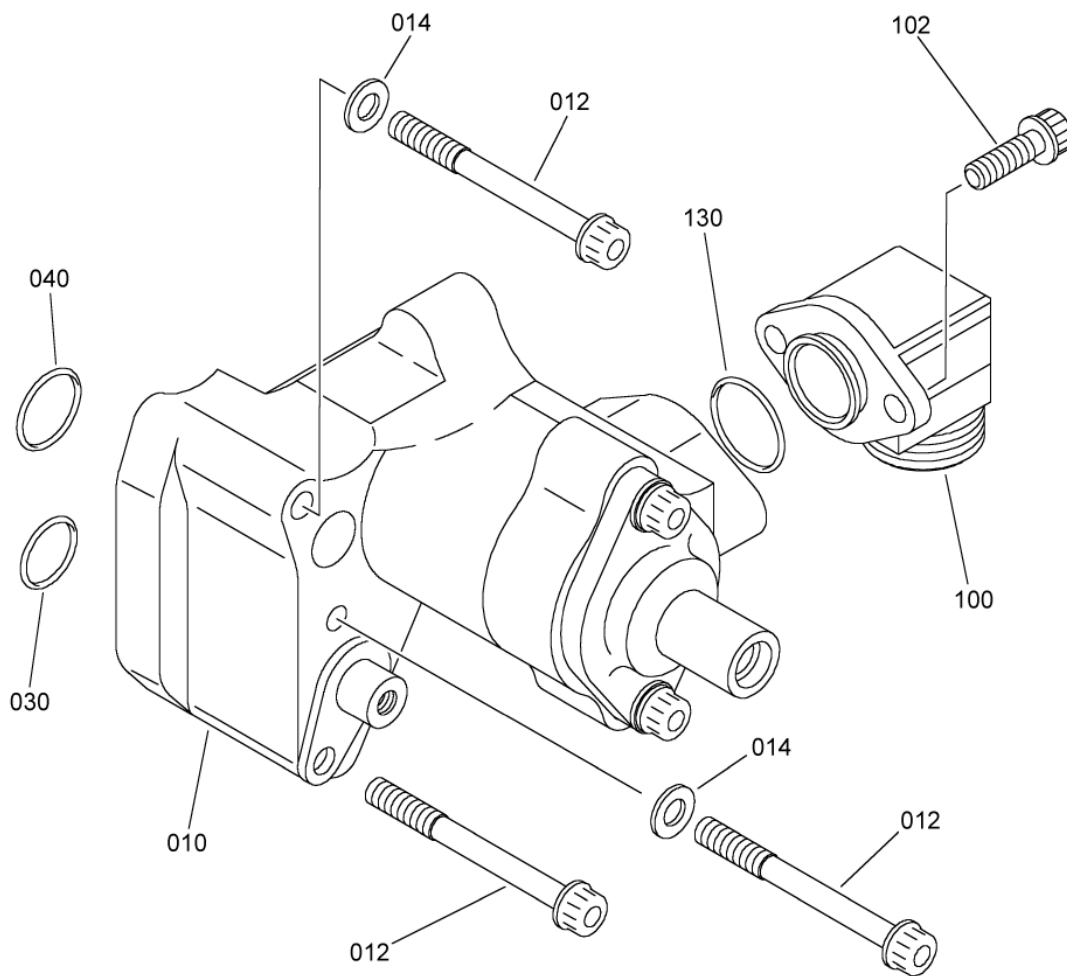
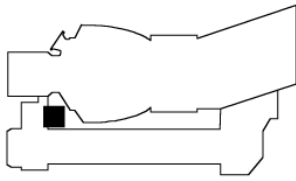
ARRIEL 2 C1

ILLUSTRATED PARTS CATALOG

FIGURE ITEM	PART NUMBER	AIRL. STOCK No.	DESCRIPTION	EFFECT	QTY
			1 2 3 4 5 6 7		
01			ATTACHING PARTS		
012	000025590		. SCREW		3
014	0000412530		. WASHER		1
015	9681500404		. PACKING,PREFORMED		1
016	0000412530		. WASHER		1
017	9681500404		. PACKING,PREFORMED		1
018	0000412530		. WASHER		1
019	9681500404		. PACKING,PREFORMED ***		1
100	0292720620		. UNION,FLANGE		1
102	000025820		ATTACHING PARTS . SCREW ***		2
130	46012A01500		. PACKING,PREFORMED - VF0111 (9794410150)		1

- ITEM NOT ILLUSTRATED

PAGE LEFT BLANK INTENTIONALLY



INST., VALVE ASSY
Figure 01

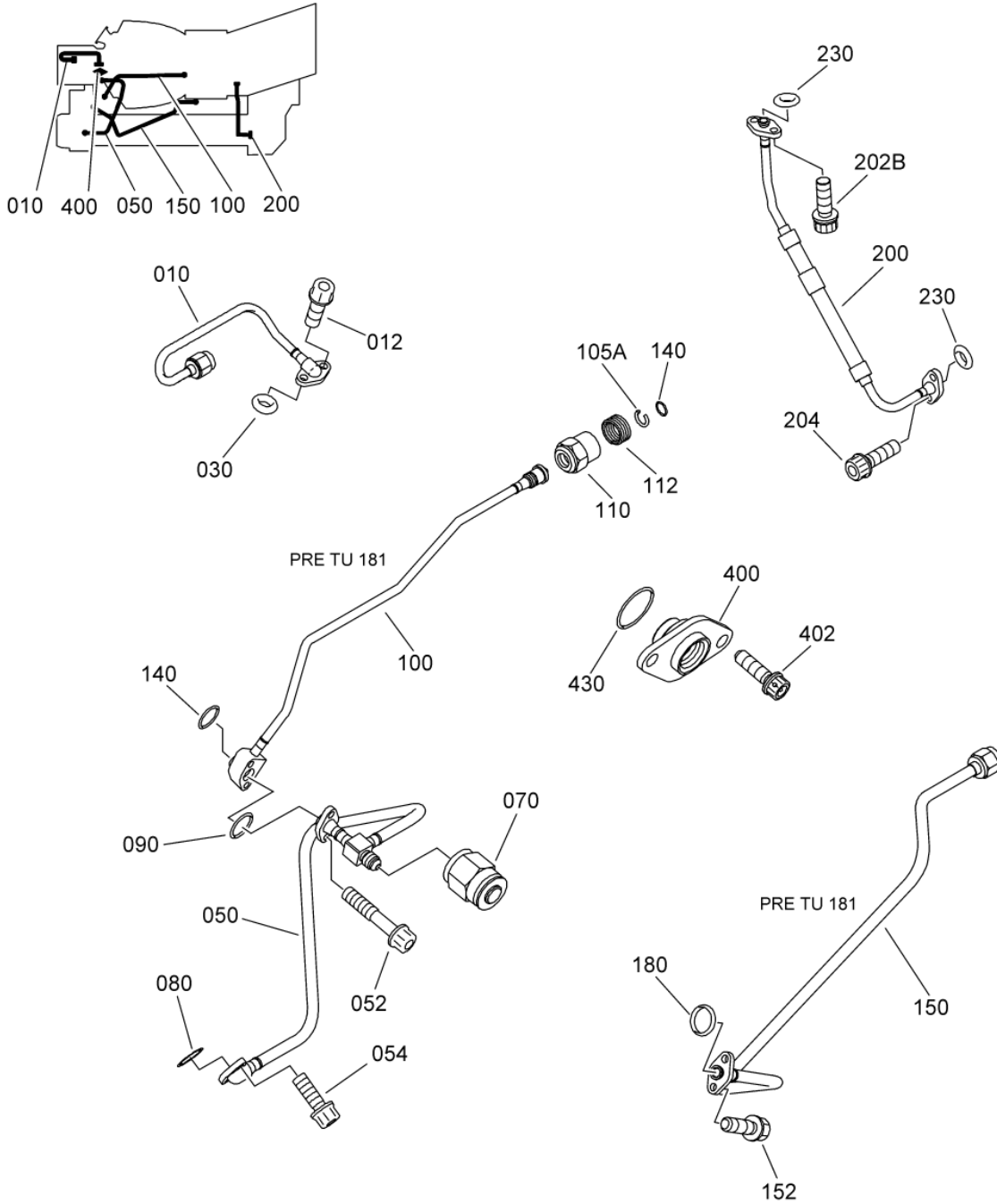
SAFRAN HELICOPTER ENGINES

ARRIEL 2 C1

ILLUSTRATED PARTS CATALOG

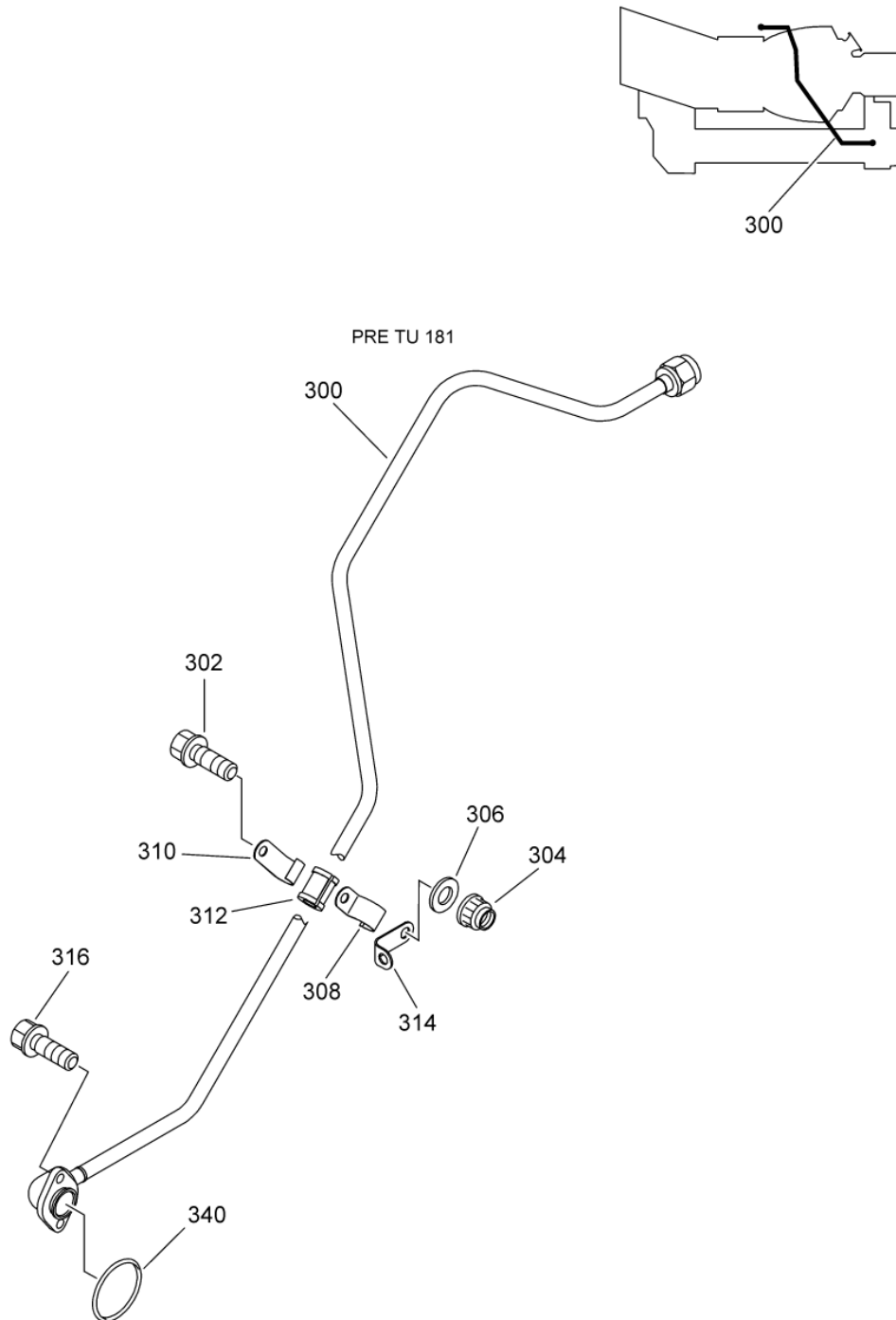
FIGURE ITEM	PART NUMBER	AIRL. STOCK No.	DESCRIPTION	EFFECT	QTY
			1 2 3 4 5 6 7		
01 -001	-		INST.,VALVE ASSY NON PROCURABLE REFER TO CHAP. 79-00-00 FIG.01 ITEM 020		RF
010	0292727180		. VALVE ASSY REPAIRABLE PRE TU 019A (AE 44625 AVT 1)		1
-010A	0292727300		. VALVE ASSY REPAIRABLE POST TU 019A (AE 44625 AVT 1) REFER TO CMM 79-25-01 FOR DETAILS		1
012	EN3686050050		ATTACHING PARTS . SCREW - VI9005 (9836405050)		3
014	23112CF050		. WASHER - VF0111 (9975050024) ***		2
030	46012A01060		. PACKING,PREFORMED - VF0111 (9794410106)		1
040	46012A01250		. PACKING,PREFORMED - VF0111 (9794410125)		1
100	0292720630		. UNION,FLANGE		1
102	EN3686050016		ATTACHING PARTS . SCREW - VI9005 (9836405016) ***		2
130	46012A01500		. PACKING,PREFORMED - VF0111 (9794410150)		1

- ITEM NOT ILLUSTRATED



INST.,PIPES,OIL
Figure 01 (Sheet 1/2)

PAGE LEFT BLANK INTENTIONALLY



INST.,PIPES,OIL
Figure 01 (Sheet 2/2)

SAFRAN HELICOPTER ENGINES

ARRIEL 2 C1

ILLUSTRATED PARTS CATALOG

FIGURE ITEM	PART NUMBER	AIRL. STOCK No.	DESCRIPTION	EFFECT	QTY
			1 2 3 4 5 6 7		
01					
-001	-		INST.,PIPES,OIL NON PROCURABLE REFER TO CHAP. 79-00-00 FIG.01 ITEM 030		RF
010	0292727240		. PIPE,OIL,FRONT BEARING SUPPLY		1
012	EN3686050014		ATTACHING PARTS . SCREW - VI9005 (9836405014) ***		2
030	46012A00560		. PACKING,PREFORMED - VF0111 (9794410056)		1
050	0292727320		. PIPE,OIL SUPPLY		1
052	EN3686050026		ATTACHING PARTS . SCREW - VI9005 (9836405026)		2
054	EN3686050014		. SCREW - VI9005 (9836405014) ***		2
070	9932307060		. . PLUG ASSY,AN		1
080	46012A00750		. PACKING,PREFORMED - VF0111 (9794410075)		1
090	46012A00750		. PACKING,PREFORMED - VF0111 (9794410075)		1
100	0292727330		. PIPE,OIL,REAR BEARING SUPPLY PRE TU 181 (AE 93952)		1
-100A	0292727280		. PIPE,OIL,REAR BEARING SUPPLY ALTERNATE ITEM 100		1
-100B	0292720860		. PIPE,OIL,REAR BEARING SUPPLY POST TU 181 (AE 93952) PRE TU198 (AE 109838)		1
-100C	0292720920		. PIPE,OIL,REAR BEARING SUPPLY POST TU198 (AE 109838)		1
-102	23320CA050		. LOCKING WIRE - VF0111 (9997405001) POST ACR (AE 109945)		AR
-105	0000130950		DELETED		
105A	0000130960		. . RING,RETAINING PART OF ITEM 100		1
-105B	0000130830		. . RING,RETAINING PART OF ITEM 100A		1
110	0000267000		. . NUT,UNION,EQUIPPED PART OF ITEMS 100 100A		1
-110A	0000260060		. . NUT,UNION,EQUIPPED PART OF ITEM 100B		1
112	01325164009		. . . THREAD,INSERT - VF1699 (0000190420) PART OF ITEM 110		1
-112A	01329144001		. . . THREAD,INSERT - VF1699 (0000190050) PART OF ITEM 110A		1
140	46012A00750		. PACKING,PREFORMED - VF0111 (9794410075) PRE TU 181 (AE 93952)		2
-140A	46012A00750		. PACKING,PREFORMED - VF0111 (9794410075) POST TU 181 (AE 93952)		1
150	0292727250		. PIPE,SCAVENGE,REAR BEARING PRE TU 181 (AE 93952)		1

- ITEM NOT ILLUSTRATED

SAFRAN HELICOPTER ENGINES

ARRIEL 2 C1

ILLUSTRATED PARTS CATALOG

FIGURE ITEM	PART NUMBER	AIRL. STOCK No.	DESCRIPTION	EFFECT	QTY
			1 2 3 4 5 6 7		
01					
-150A	0292720870		. PIPE,SCAVENGE,REAR BEARING POST TU 181 (AE 93952) PRE TU198 (AE 109838)		1
-150B	0292720930		. PIPE,SCAVENGE,REAR BEARING POST TU198 (AE 109838)		1
152	EN3686050016		ATTACHING PARTS . SCREW - VI9005 (9836405016) ***		2
-154	23320CA050		. LOCKING WIRE - VF0111 (9997405001) POST ACR (AE 109945)		AR
180	46012A00750		. PACKING,PREFORMED - VF0111 (9794410075)		1
200	A22983-01		. PIPE,FLEXIBLE - VF6409 (9560165040) PRE ACR (AE 65530)		1
-200A	A22989-01		. PIPE,FLEXIBLE - VF6409 (9560162070) POST ACR (AE 65530)		1
-200B	9993160		. PIPE,FLEXIBLE - VF6285 (9560166950) POST ACR (AE 106643) ALTERNATE ITEM 200		1
-202	EN3686050016		ATTACHING PARTS . SCREW - VI9005 (9836405016) NON PROCURABLE		4
-202A	EN3686050016		. SCREW - VI9005 (9836405016) NON PROCURABLE PRE ACR (AE 48952) POST ACR (AE 47743)		2
202B	EN3686050014		. SCREW - VI9005 (9836405014) POST ACR (AE 48952)		2
204	EN3686050014		. SCREW - VI9005 (9836405014) POST ACR (AE 47743) ***		2
230	46012A00560		. PACKING,PREFORMED - VF0111 (9794410056)		2
300	0292727260		. PIPE,REAR BEARING BREATHING PRE TU 181 (AE 93952)		1
-300A	0292720880		. PIPE,REAR BEARING BREATHING POST TU 181 (AE 93952)		1
302	EN3686050014		ATTACHING PARTS . SCREW - VI9005 (9836405014) PRE ACR (AE 47743)		1
-302A	EN3686050012		. SCREW - VI9005 (9836405012) POST ACR (AE 47743)		1
304	9866205026		. NUT 9866205026 IS THE SAFRAN HE PART NUMBER FOR: VF0111 - 22526-050 VI9005 - EN2906-050		1
306	23112CF050		. WASHER - VF0111 (9975050024) PRE ACR (AE 67243)		1
308	AS12842		. HALF CLAMP,OUTER - VU1653 (0400420020)		1

- ITEM NOT ILLUSTRATED

SAFRAN HELICOPTER ENGINES

ARRIEL 2 C1

ILLUSTRATED PARTS CATALOG

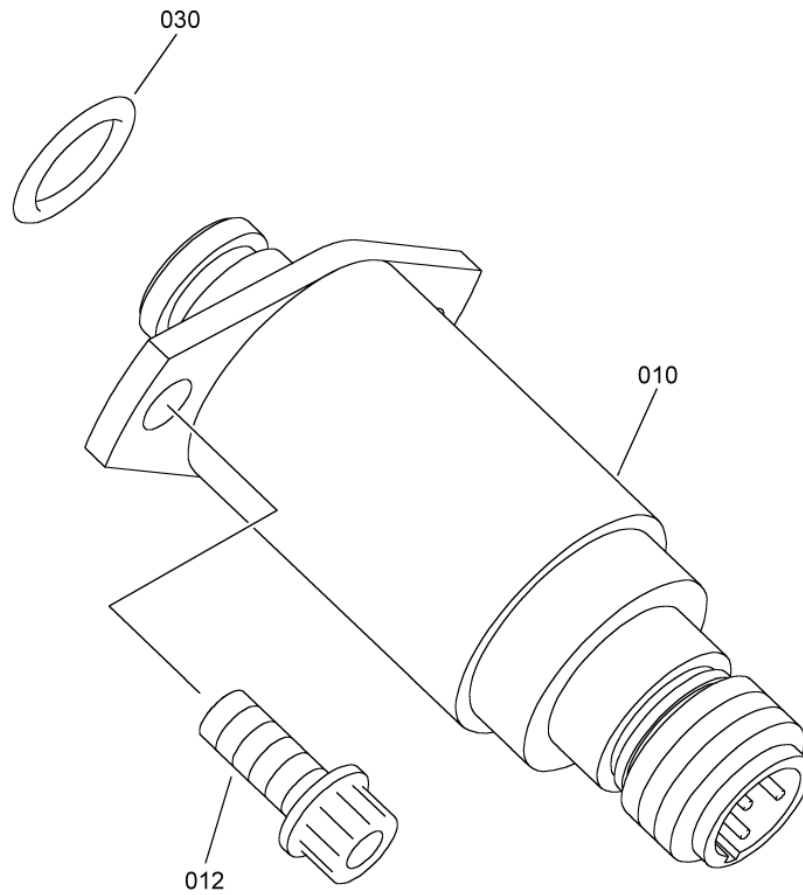
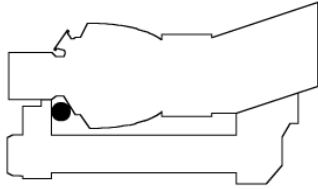
FIGURE ITEM	PART NUMBER	AIRL. STOCK No.	DESCRIPTION	EFFECT	QTY
			1 2 3 4 5 6 7		
01					
310	AS12812		. HALF CLAMP,INNER - VU1653 (0400410020)		1
312	AS12874		. SLEEVE - VU1653 (0400430080)		1
314	0301010540		. BRACKET,ANGLE		1
316	EN3686050014		. SCREW - VI9005 (9836405014) ***		2
340	46012A01500		. PACKING,PREFORMED - VF0111 (9794410150)		1
400	0292720520		. FLANGE,ADAPTATION		1
			ATTACHING PARTS		
402	EN3686050016		. SCREW - VI9005 (9836405016) ***		2
430	46012A01500		. PACKING,PREFORMED - VF0111 (9794410150)		1

- ITEM NOT ILLUSTRATED

DETAILED PART LIST

INDICATING

79-30-00



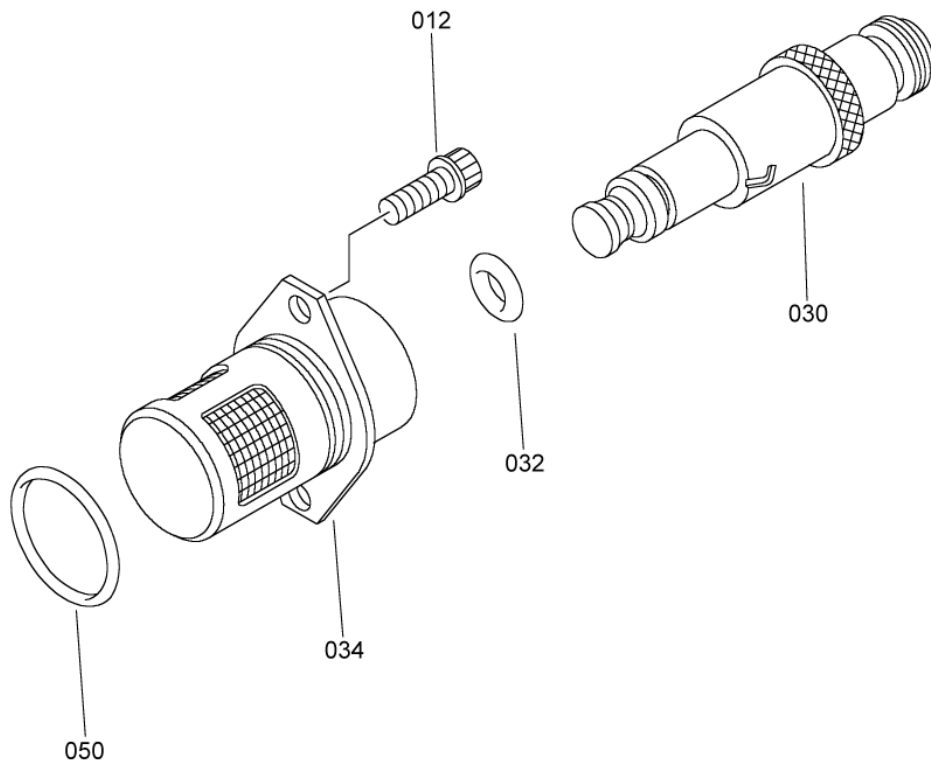
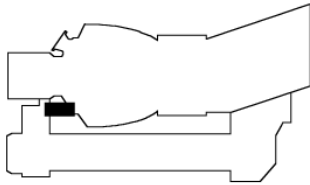
INST.,SWITCH,LOW OIL PRESSURE
Figure 01

TURBOMECA ARRIEL 2 C1

ILLUSTRATED PARTS CATALOG

FIGURE ITEM	PART NUMBER	AIRL. STOCK No.	DESCRIPTION	EFFECT	QTY
			1 2 3 4 5 6 7		
01 -001	-		INST.,SWITCH,LOW OIL PRESSURE NON PROCURABLE REFER TO CHAP. 79-00-00 FIG.01 ITEM 040		RF
010	8557-1		. SWITCH,LOW OIL PRESSURE - V98505 (9550170830) NON REPAIRABLE REFER TO ACMMB FOR DETAILS		1
012	EN3686050016		ATTACHING PARTS . SCREW - VI9005 (9836405016) ***		2
030	46012A01000		. PACKING,PREFORMED - VF0111 (9794410100)		1

- ITEM NOT ILLUSTRATED



INST.,PLUGS,ELECTRIC MAGNETIC
Figure 01

TURBOMECA ARRIEL 2 C1

ILLUSTRATED PARTS CATALOG

FIGURE ITEM	PART NUMBER	AIRL. STOCK No.	DESCRIPTION	EFFECT	QTY
			1 2 3 4 5 6 7		
01 -001	-		INST.,PLUGS,ELECTRIC MAGNETIC NON PROCURABLE REFER TO CHAP. 79-00-00 FIG.01 ITEM 050		RF
-010	4901-1		. PLUG ASSY,ELECTRIC MAGNETIC - VF9211 (9550171750) NON REPAIRABLE		1
012	EN3686050014		ATTACHING PARTS . SCREW - VI9005 (9836405014) ***		2
030	4930-1		. . HEAD,MAGNETIC - VF9211 (9520011546) REFER TO ACMMB FOR DETAILS		1
032	46012B00800		. . PACKING,PREFORMED - VF0111 (9794420080)		1
034	4910		. . RECEPTACLE - VF9211 (9520011520)		1
050	46012A02360		. PACKING,PREFORMED - VF0111 (9794410236)		1

- ITEM NOT ILLUSTRATED

