

Manual: **Owner's Manual P/N 6AB1WNM-2-20
(INSTALLATION MANUAL, MAINTENANCE MANUAL AND
ILLUSTRATED PARTS BREAKDOWN)**

ISSUE DATE: 23 September 2010

Revision DC: 21 February 2024

TR-2024-004: 10 April 2024

INSTRUCTIONS

1. Before adding present change be sure that manual is valid.
Check existing List of Effective Page of the manual to be sure that all previous revisions are inserted.
(Do not insert this change if previous revisions not are inserted).
2. Insert this page before the LOEP.
3. Insert present change removing pages superseded and insert new pages as listed as follows:

| Temporary Revision Number/ Data | Appendix/Section | Remove page | Insert page | Page Revision |
|---------------------------------|--------------------------|-------------------|--------------------|---------------|
| *TR-2024-004 / 10 April 2024 | Appendix H / Section 02 | 2-19 | 2-19 | DC |
| | Appendix H / Section 02 | 2-20 | 2-20 through 2-24 | TR-2024-004 |
| | Appendix H / Section 05 | 5-3 | 5-3 | TR-2024-004 |
| | Appendix H / Section 05 | 5-4 | 5-4 | DC |
| | Appendix H / Section 05 | 5-5 | 5-5 | DC |
| | Appendix H / Section 05 | 5-6 | 5-6 | TR-2024-004 |
| | Appendix H / Section 06 | 6-5 | 6-5 | TR-2024-004 |
| | Appendix H / Section 06 | 6-6 | 6-6 | DC |
| | Appendix H / Section 06 | 6-13 | 6-13 through 6-15 | TR-2024-004 |
| | Appendix H / Section 06 | 6-14 | 6-16 | DC |
| TR-2024-001 / 16 Jan. 2024 | Appendix CJ / Section 04 | From 4-10 to 4-12 | From 4-10 to 4-12 | TR-2024-001 |
| | Appendix CJ / Section 04 | - | From 4-13 to 4-18 | TR-2024-001 |
| | Appendix CJ / Section 04 | - | From 4-19 and 4-20 | Rev. CY |

* Shows the last issued Temporary Revision

INTENTIONALLY LEFT BLANK

2 - 7 - 5 TOUCHSCREEN RETROMODIFICATION INSTRUCTIONS

CAUTION

IN ORDER TO APPLY THE RACK MODIFICATION, THE INSTALLATION OF THE NEW 4 TOUCH SCREEN IS MANDATORY.

NOTE

This Retromodification is necessary when touchscreens P/N 6IFCP001-126, P/N 6IFCP001-128, P/N 6IFCP001-127 and 6IFCP001-129 are replaced with touchscreens P/N 6IFCP002-126/-127/-128/-129.

2 - 7 - 5 - 1 TOUCHSCREEN REPLACEMENT

1. Replace touchscreens P/N 6IFCP001-126, P/N 6IFCP001-127, P/N 6IFCP001-128 or P/N 6IFCP001-129 with touchscreens P/N 6IFCP002-126/-127/-128/-129 according to procedure in Section 2 of Appendix F or P of Owner's Manual P/N 6AB1WNM-2-2 according to applicable configuration.

2 - 7 - 5 - 2 RACK WIRING MODIFICATION

1. Gain access to the storage compartment by opening the relevant access doors according to Agusta AW139 Maintenance Publication 39-A-AMP-00-P.
2. If installed, remove the Aft Panel Assy P/N 6AB1ME224-049 of Separation Bulkhead Instl P/N 6AB1ME224-009 by removing the relevant Screws (item 15, [Figure 2-2](#)) and Washers (item 14, [Figure 2-2](#))
3. Gain access to the Equipment Rack Assy.
4. Making reference to the applicable Wiring Diagram [Figure 5-3](#), disconnect P1 PWR SPLY connector from VGA splitter DAPS350 and rework wiring in order to power touch screen with 28 Vdc current, as follows:
 - a. Making reference to the former wiring diagrams [Figure 5-1](#), on connector P1 PWR SPLY:
 - i. Disconnect cable T3A20 from pin 1;
 - ii. Disconnect cable RZ14A22 from pin 4;
 - iii. Disconnect cable RZ16A22 from pin 6;
 - a. Making reference to the updated wiring diagrams [Figure 5-3](#) on connector P1 PWR SPLY:
 - i. Splice together wires T3A20, RZ14A22, RZ16A22 and a wire AWG #20 unmarked.
 - ii. Crimp a Pin P/N M39029/63-368 on AWG #20 unmarked cable;
 - iii. Connect AWG #20 unmarked cable to Pin 1;
 - iv. Leave Pin 4 and Pin 6 of P1 PWR SPLY unconnected.
5. Connect P1 PWR SPLY connector to VGA splitter DAPS350.
6. Remark Cable Assy P/N 6AB1EL094-031 with new P/N 6AB1EL340-033 using C/A Identification 6NV-EMI-001-002.
7. Remark Rack Assembly P/N 6AB1EL092-031 with new P/N 6AB1EL340-031.

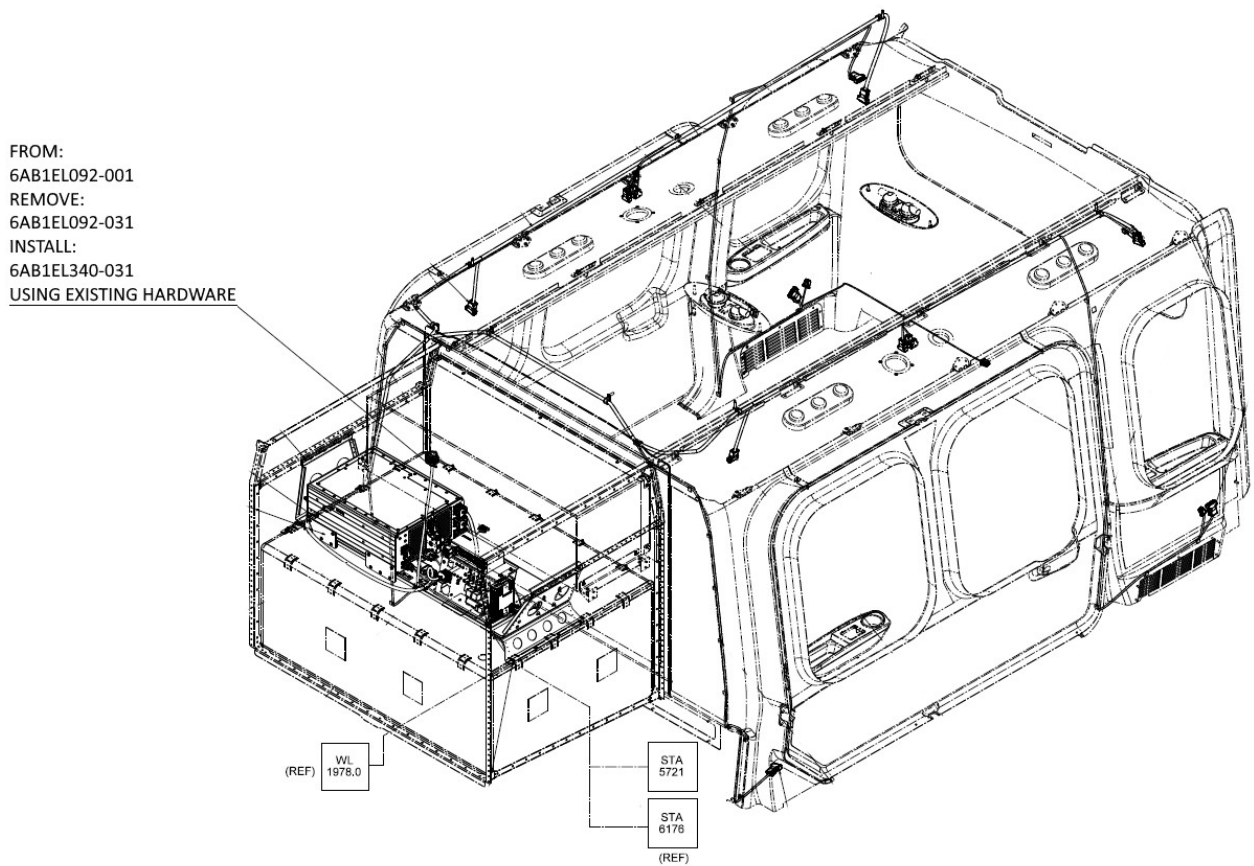


Figure 2-5 Retromod for Touch Screen Installation (Sheet 1 of 2)

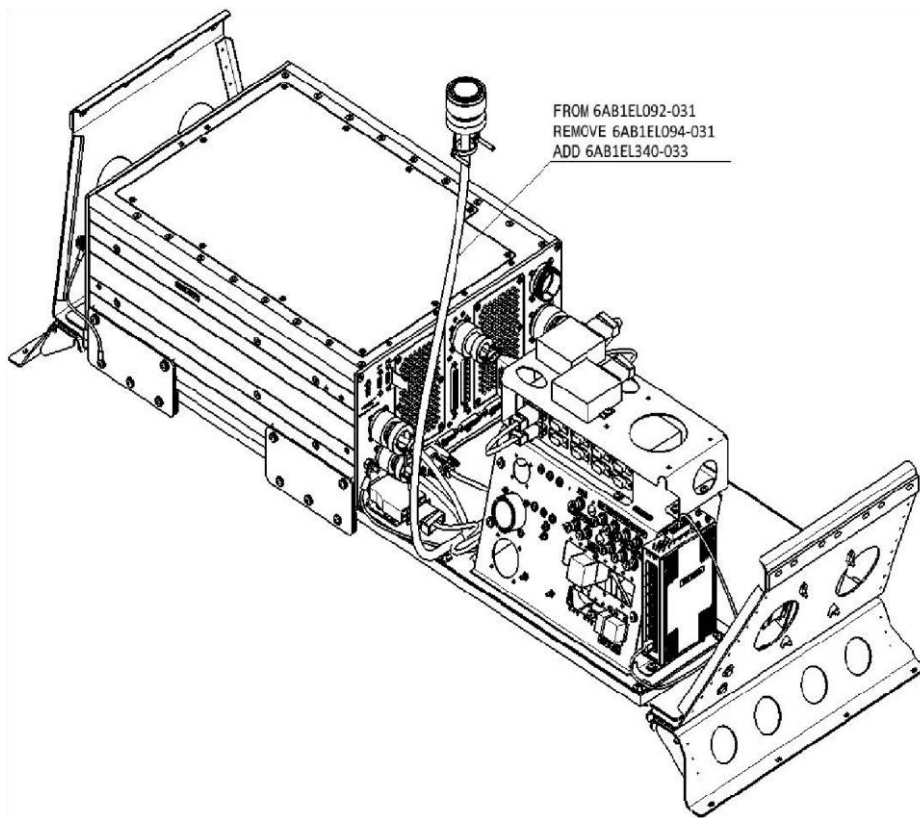


Figure 2-5 Retromod for Touch Screen Installation (Sheet 2 of 2)

2 - 7 - 5 - 3 SOFTWARE UPDATE

1. Perform the Software Update needed to make the system compatible with 6IFCP002-126/-127/-128/-129 touch screens.
 - a. Get Software Update from the folder "Software_update" contained in zipped folder "SB-AB1-084".
 - b. Unzip "Update31372_v1.zip" file in a temporary folder.
 - c. Format a USB KEY.
 - d. Copy the files "UpdateNow.IFEEL", "UpdateNow.Auto" and folder "Update" from the temporary folder to USB KEY root.
 - e. Power on the system and wait for all HMIs to be up and running (about 2/3 minutes).
 - f. Insert USB KEY in IFEEL USB slot: the system will automatically start the updating procedure.
 - g. All HMIs will now show a white user interface.
 - h. System automatically restarts.
 - i. Once the restart is completed, the system starts the update.
 - j. When the update is completed, the system restarts automatically.
 - k. When all HMIs show the HOME interface power down the entire system and remove the USB Key.
 - l. Restart the system.
 - m. When all HMIs show the HOME interface the Update can be consider completed
 - n. Please send the log files contained in the USB Key to oaw@mecaer.com.
 - o. Mark "A" as software IFEEL revision on the label located on IFEEL side (ref to [Figure 2-6](#)) with a permanent marker.

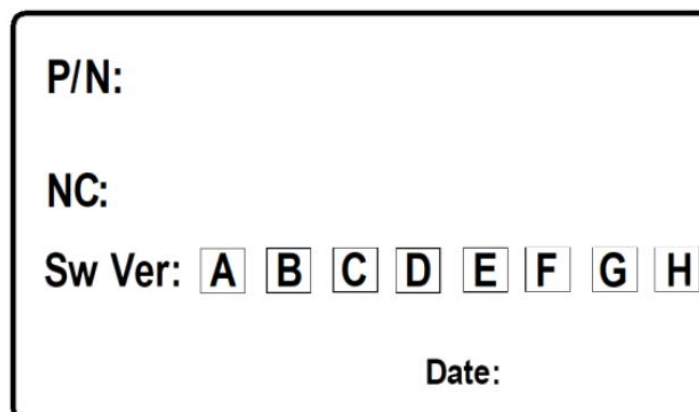


Figure 2-6 Label – for reference only

2 - 7 - 5 - 4 FUNCTIONAL CHECKS

1. Perform functional checks in the current Appendix, Section 4-5.

2 - 7 - 6 REQUIREMENTS AFTER JOB COMPLETION

1. Remove all the tools and the other items from the work area. Make sure that the work area is clean.
2. Perform IFEEL system functional check as described in paragraph Para. 4 - 5.

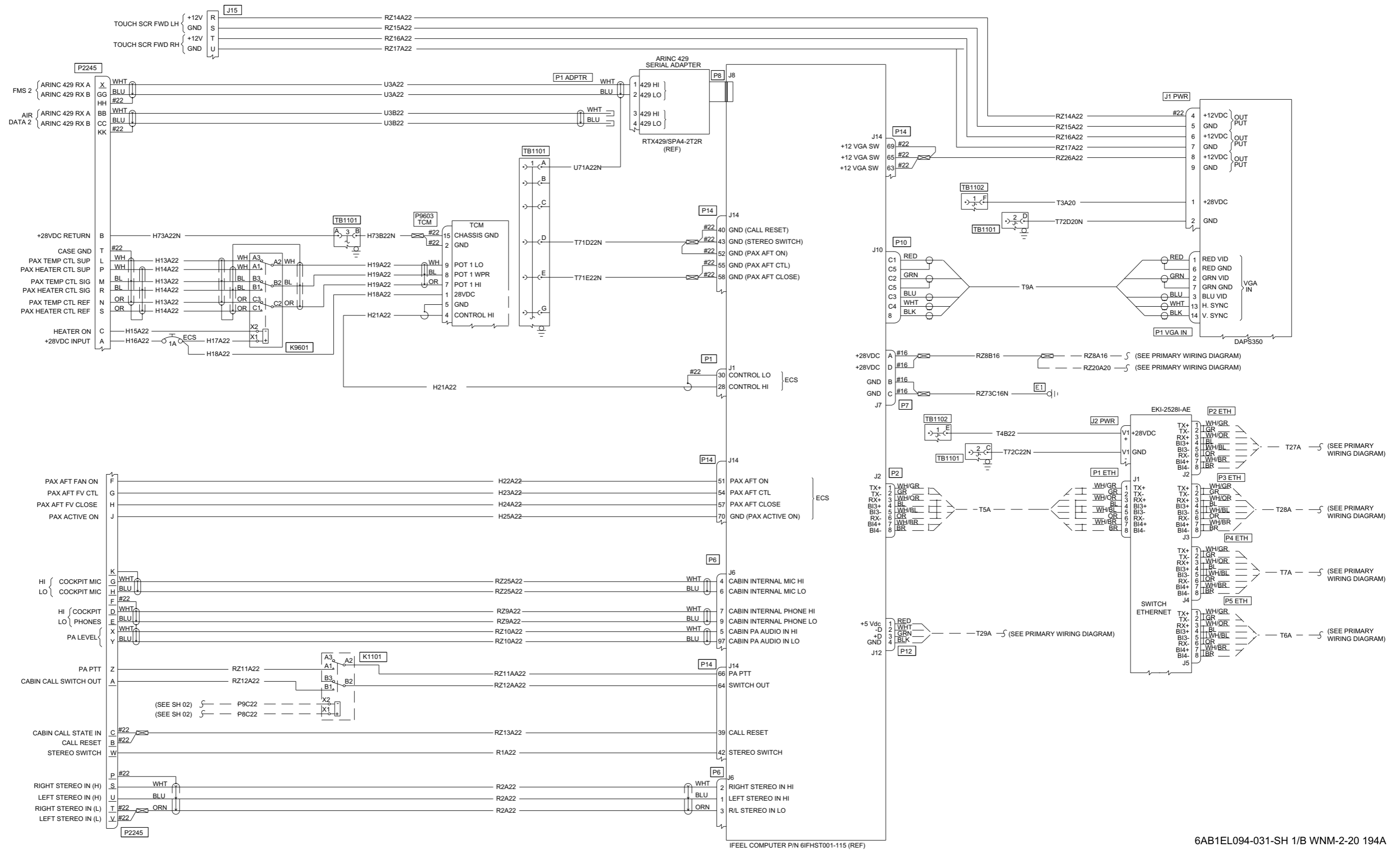
2 - 7 - 7 WEIGHT AND BALANCE

After the installation of IFEEL Installation P/N 6AB1AD016-001 a new Helicopter Empty Weight and Center of Gravity (C.G.) must be determined according to 39-A-08-31-00-00A-000A-A "Weighing" of AW139 IETP.



Owner's Manual
for IFEEL ENTERTAINMENT SYSTEM INSTALLATION
P/N 6AB1AD016-001

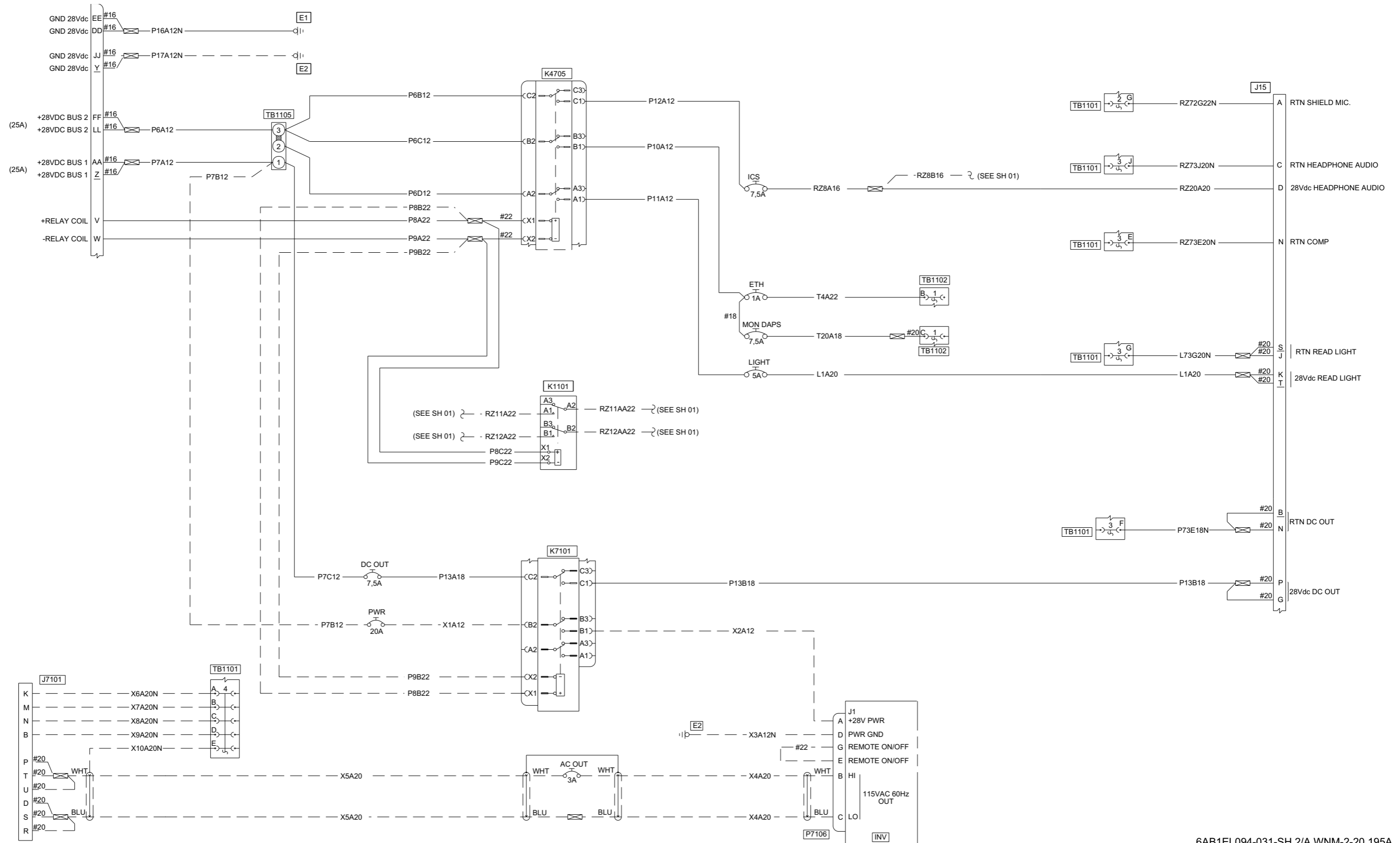
Appendix H to
6AB1WNM-2-20



6AB1EL094-031-SH 1/B WNM-2-20 194A

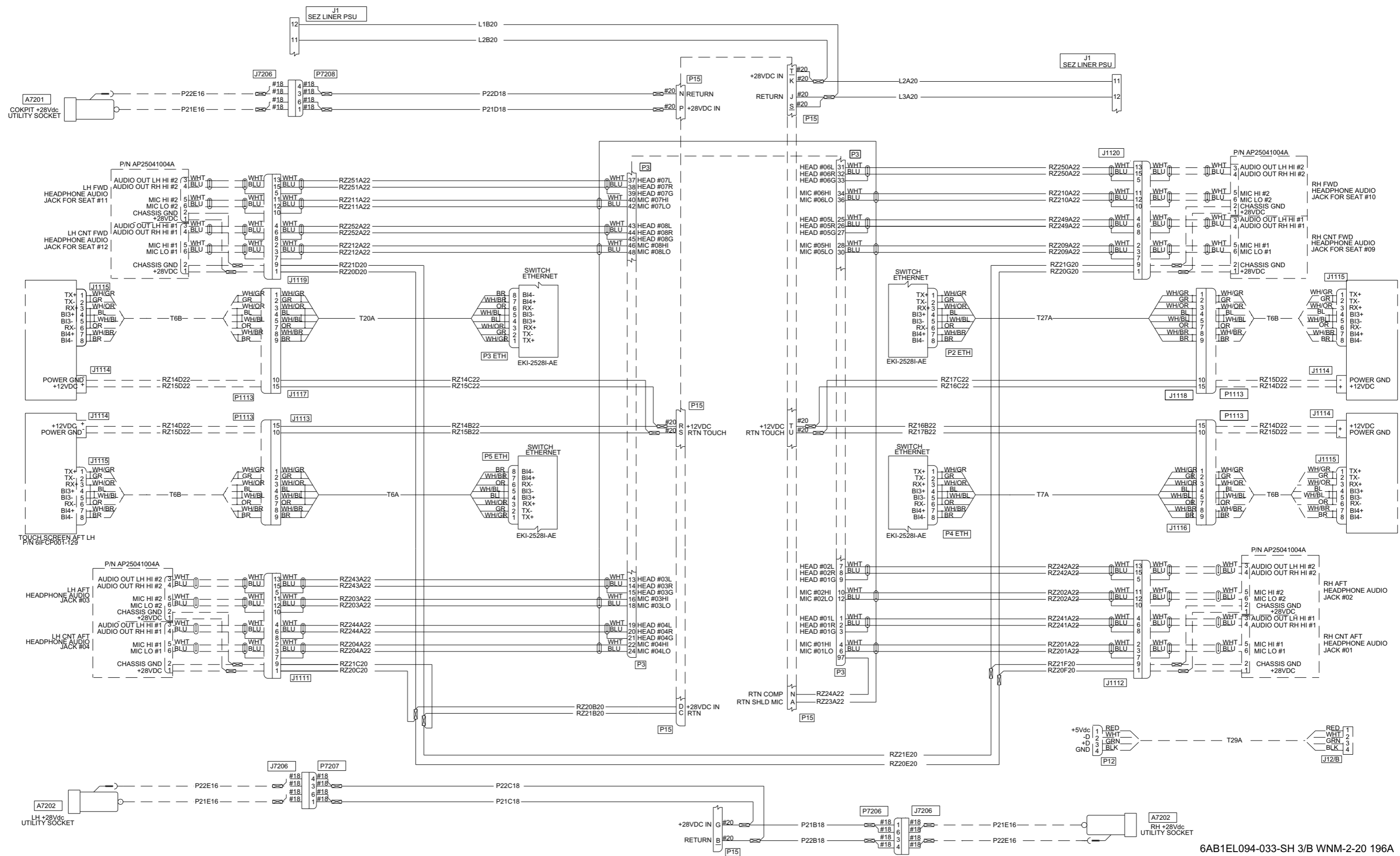
NOTE: This figure is **NOT** applicable when Retromod (31372) P/N 6AB1EL340-001 is installed. Refer to [Figure 5-3](#) of this Appendix.

Figure 5-1 Rack wiring diagram (Sheet 1 of 2).



6AB1EL094-031-SH 2/A WNM-2-20 195A

Figure 5-1 Rack wiring diagram (Sheet 2 of 2).



6AB1EL094-033-SH 3/B WNM-2-20 196A

NOTE: When Touch screen Retromod (31372) P/N 6AB1EL340-001 is installed, P/N6IFCP001-126/-127/-128/-129 are replaced with 6IFCP002-126/-127/-128/-129

Figure 5-2 Primary wiring diagram.

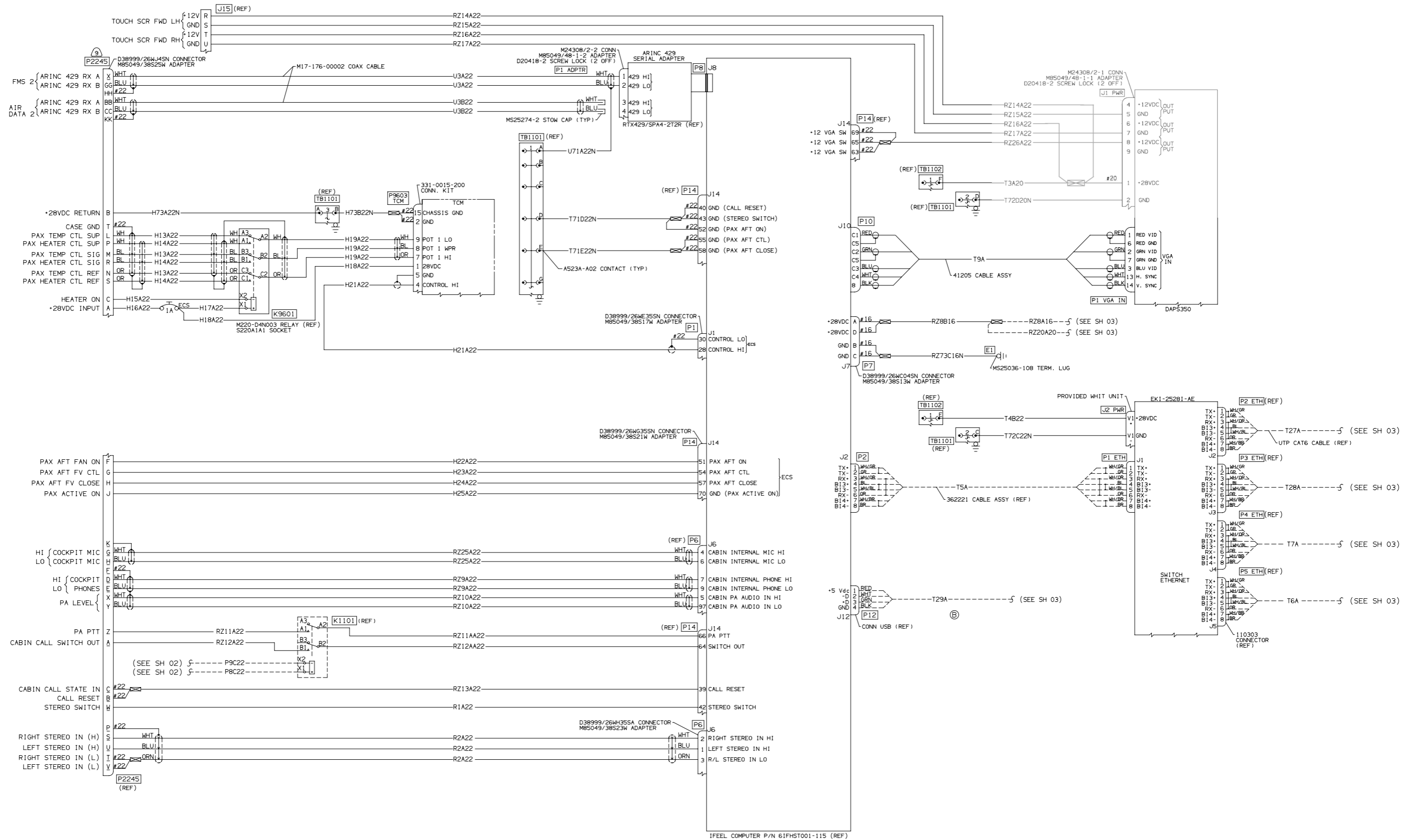


Figure 5-3 Touch screen Retromod Instal (31372)



| FIGURE AND INDEX NUMBER | PART NUMBER | MFR CODE | DESCRIPTION | UNIT PER ASSY | USABLE ON CODE |
|-------------------------------|----------------|-------------|---|---------------------|-------------------|
| | | | | | |
| 6-1 0 | 6AB1AD016-045 | A3729 | IFEEEL INSTL KIT | REF. | |
| 1 | 6AB1EL092-001 | A3729 | • IFEEEL ELECTRICAL INSTL. (For IPB see Figure 6-2) | 1 | |
| 2 | 6AB1ME224-009 | A3729 | • SEPARATION BULKHEAD INSTL. (For IPB see Figure 6-6) (NOTE 1) (NOTE 3) | 1 | |
| 2 | 6AB1ME224-011 | A3729 | • SEPARATION BULKHEAD INSTL. (For IPB see Figure 6-7) (Alternative to 6AB1ME224-009) (NOTE 2) (NOTE 3) | 1 | |
| 2 | 6AB1ME224-013 | A3729 | • REAR PANEL CLOSURE MODIFICATION (For IPB see Figure 6-8) (Alternative to 6AB1ME224-009) (NOTE 4) | 1 | |
| -3 | 6AB1EL340-001 | A3729 | • TOUCH SCREEN RETROMOD (31372) (For IPB see Figure 6-4) (NOTE 5) | 1 | |

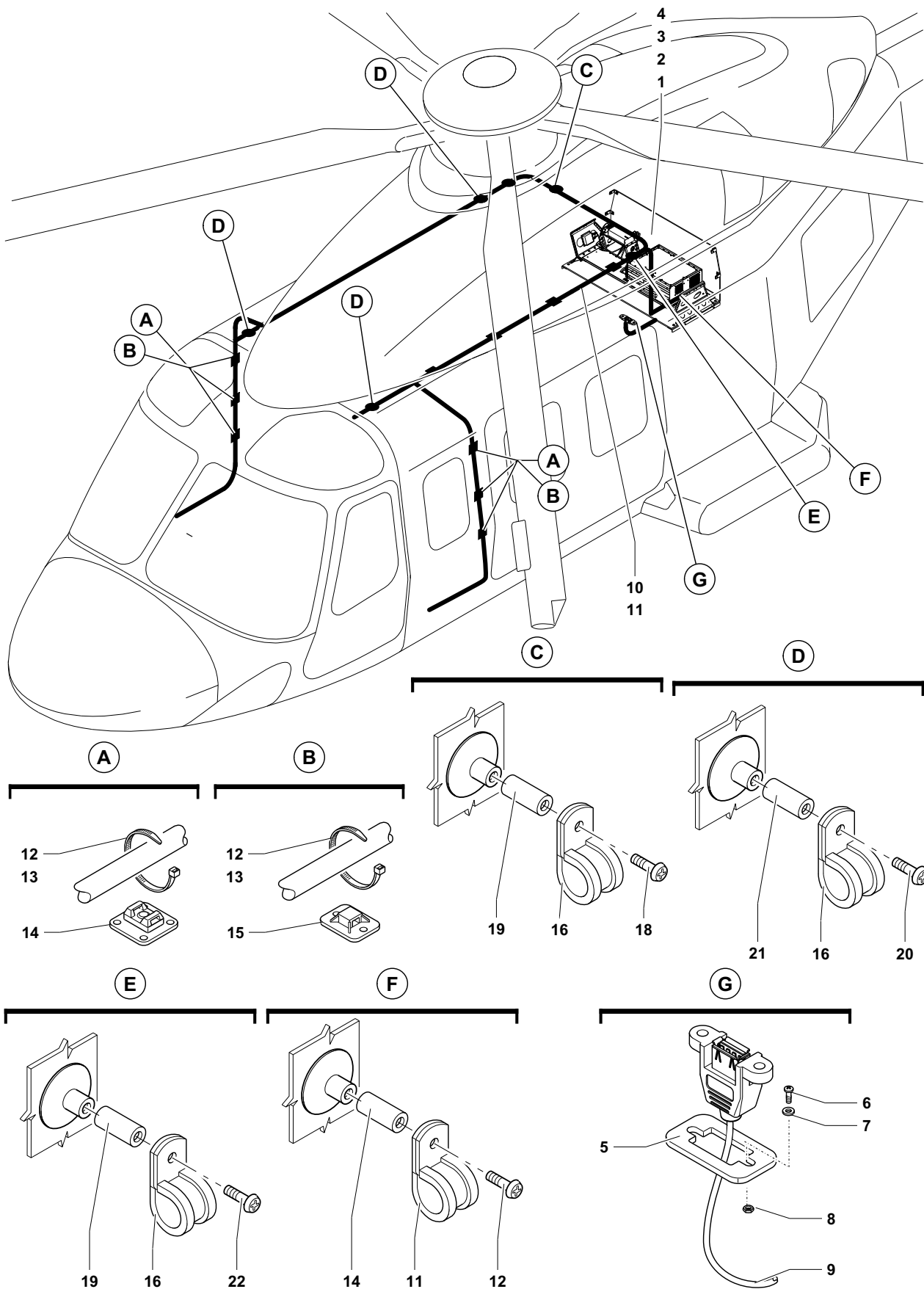
NOTE 1: The Separation Bulkhead Installation P/N 6AB1ME224-009 shall be installed on the helicopter when Cubby Installation P/N 6AB1ME173, P/N 6AB1ME176 or P/N 6AB1ME054 is also present.

NOTE 2: The Separation Bulkhead Installation P/N 6AB1ME224-011 shall be installed on the helicopter when Cubby Installation P/N 6AB1ME173, P/N 6AB1ME176 or P/N 6AB1ME054 is not present.

NOTE 3: The Separation Bulkhead Installation P/N 6AB1ME224-009/6AB1ME224-011 shall be installed only when Auxiliary Fuel Tank Kit P/N 3G2800F00111 is not installed on the helicopter.

NOTE 4: The Rear Panel Closure Modification P/N 6AB1ME224-013 shall be installed only when Auxiliary Fuel Tank Kit P/N 3G2800F00111 is installed on the helicopter.

NOTE 5: The Touch screen Retromod (31372) shall be installed only when touchscreen P/N 6IFCP001-126 and P/N 6IFCP001-127 and P/N 6IFCP001-128 and 6IFCP001-129 are replaced with touchscreen P/N 6IFCP002-126/-127/-128/-129.



6AB1EL092 WNM-2-20 191A

Figure 6-2 IFEEL Installation.

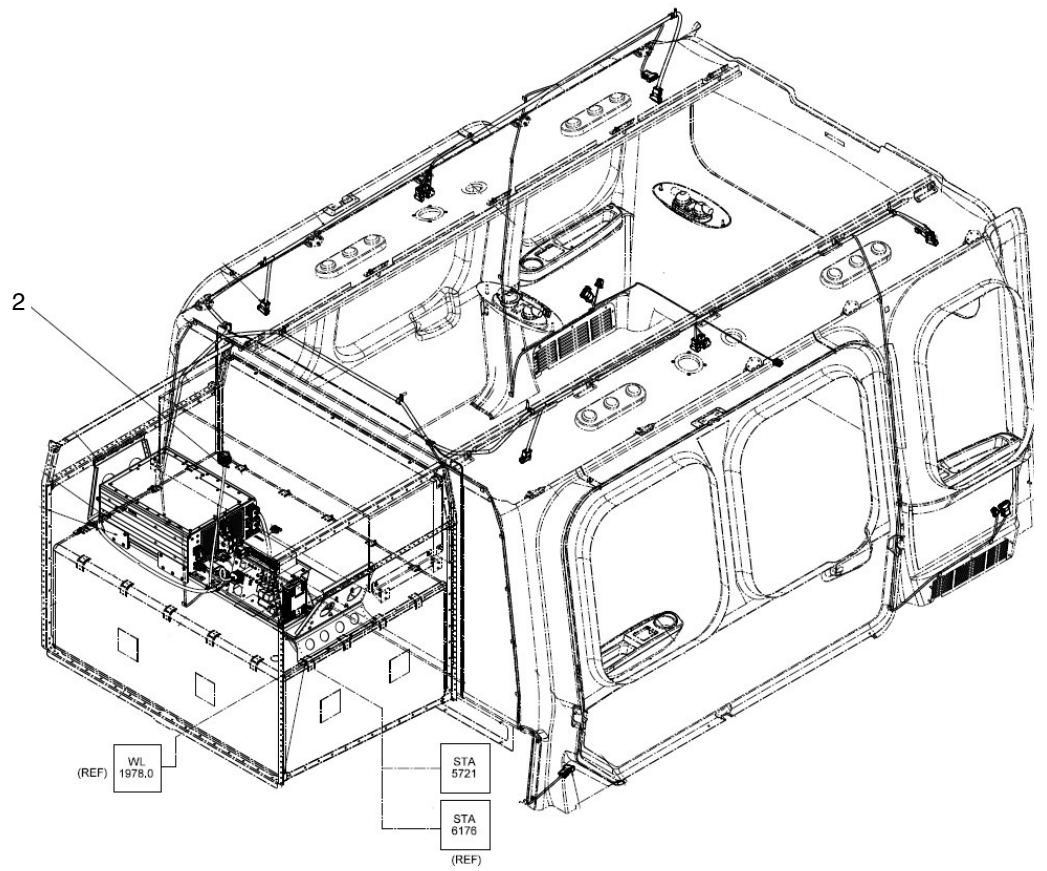


Figure 6-4 Touch screen Retromod (Sheet 1 of 2)

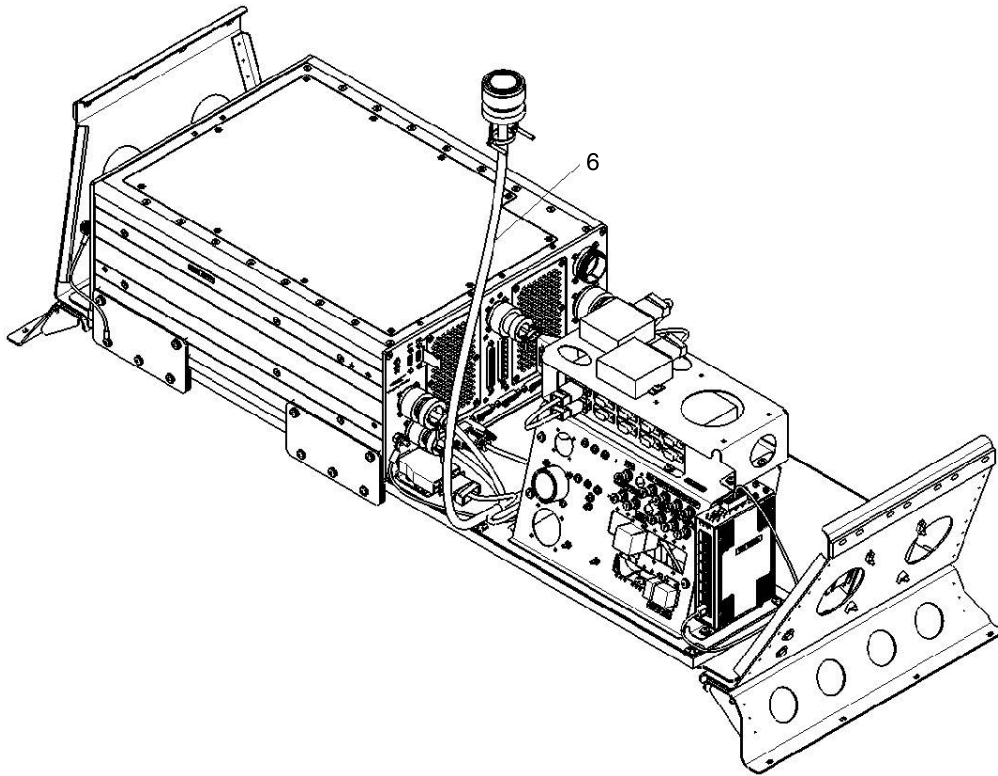


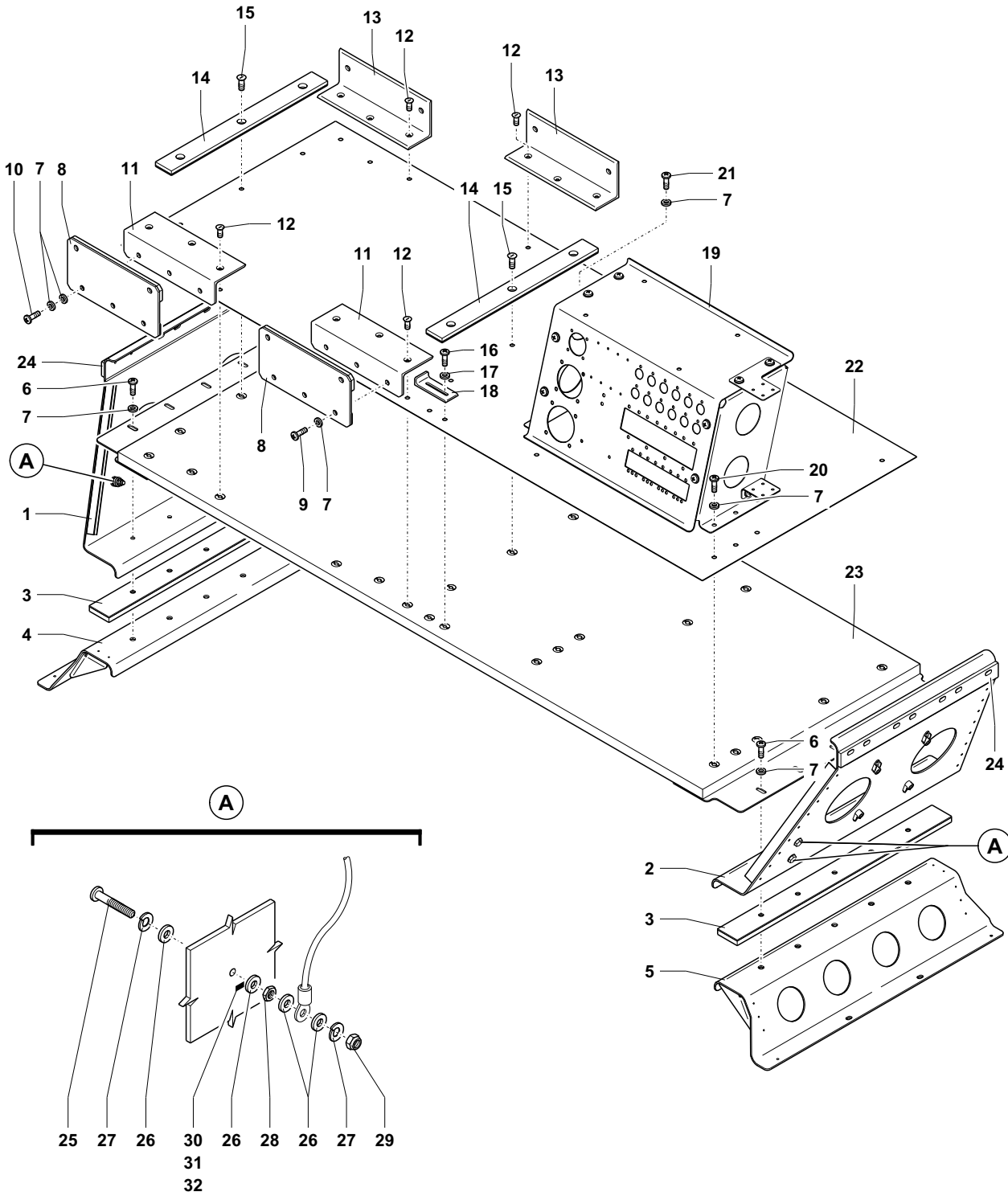
Figure 6-4 Touch screen Retromod (Sheet 2 of 2)



Owner's Manual
for IFEEL ENTERTAINMENT SYSTEM INSTALLATION
P/N 6AB1AD016-001

Appendix H to
6AB1WNM-2-20

| FIGURE AND INDEX NUMBER | PART NUMBER | MFR CODE | DESCRIPTION | UNIT PER ASSY | USABLE ON CODE | |
|-------------------------------|----------------|-------------------|-------------|--|-------------------|--|
| 6-4 | -0 | 6AB1EL340-001 | A3729 | TOUCH SCREEN RETROMOD INSTAL (31372) (For NHA refer to Figure 6-4) | 1 | |
| | -1 | 6AB1EL092-031 | | • RACK IFEEL ASSEMBLY | -1 | |
| | 2 | 6AB1EL340-031 | | • RACK ASSY RETROMOD (31372) | REF | |
| | -3 | 6AB1EL340-081 | | • • TOUCH SCREEN RETROMOD INSTL (31372) | REF | |
| | -4 | 6AB1EL092-031 | | • • RACK IFEEL ASSEMBLY | 1 | |
| | -5 | 6AB1EL094-031 | | • • RACK CABLE ASSY | -1 | |
| | 6 | 6AB1EL340-033 | | • • TOUCH RETROMOD C/A | REF | |
| | -7 | 6AB1EL094-031 | | • • • RACK CABLE ASSY | 1 | |
| | -8 | 6NV-EMI-001-02 | | • • • CABLE ASSY IDENTIFICATION | AR | |
| | -9 | 6NV-EMI-002-01-HS | | • • • STRAP | AR | |
| | -10 | 6NV-EMI-002-04-HS | | • • • STRAP | AR | |
| | -11 | 6NV-EMI-007-02-9 | | • • • SLEEVING MARKER CABLE | AR | |
| | -12 | 6SPEC_073_BM | | • • • STRING TO TIE | AR | |
| | -13 | 6STD052-T20 | | • • • CAVO SINGOLO 260° | AR | |
| | -14 | M39029/63-368 | | • • • SOCKET SERIES M24308 | 1 | |
| | -15 | M81824/1-2 | | • • • SPLICE BLUE | 1 | |



6AB1ME229_WMN-2-20_140A

Figure 6-5 Cross beam assy.