



Manual: Owner's Manual P/N 6A8WWNM-2-20
(INSTALLATION MANUAL, MAINTENANCE MANUAL AND
ILLUSTRATED PARTS BREAKDOWN)

ISSUE DATE: 23 September 2010

Revision CZ: 26 June 2023

TR-2023-003: 29 August 2023

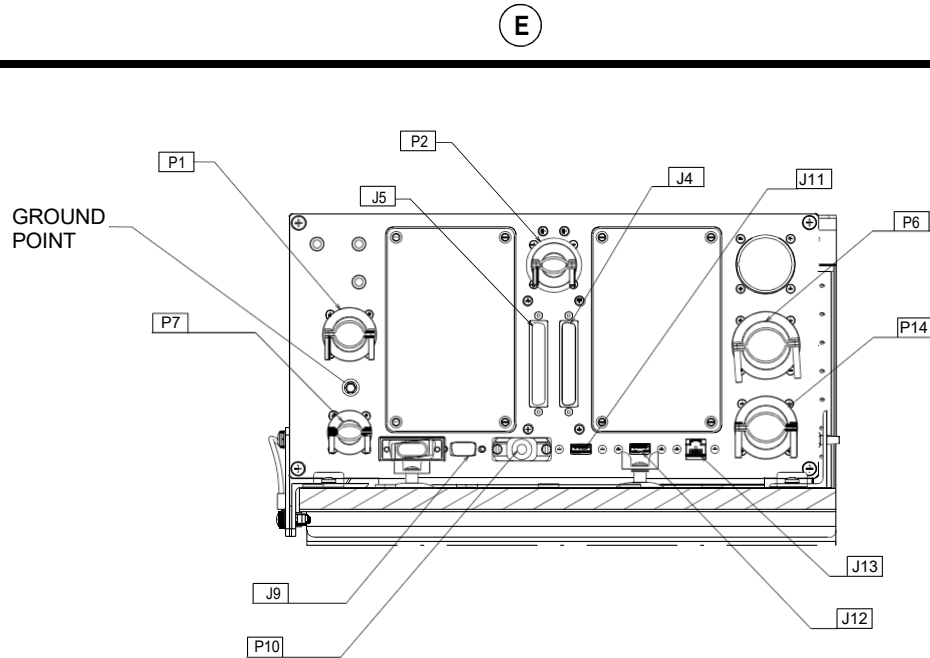
INSTRUCTIONS

1. Before adding present change be sure that manual is valid.
Check existing List of Effective Page of the manual to be sure that all previous revisions are inserted.
(Do not insert this change if previous revisions not are inserted).
2. Insert this page before the LOEP.
3. Insert present change removing pages superseded and insert new pages as listed as follows:

Temporary Revision Number/ Data	Appendix/Section	Remove page	Insert page	Page Revision
*TR-2023-003 / 29 Aug. 2023	Appendix W / Section 02	2-19	2-19	AJ
	Appendix W / Section 02	2-20 through 2-22	2-20 through 2-22	TR-2023-003
	Appendix W / Section 05	5-3	5-3	TR-2023-003
	Appendix W / Section 05	5-4	5-4	AJ
	Appendix W / Section 05	5-5	5-5	TR-2023-003
	Appendix W / Section 05	5-6	5-6	AJ
	Appendix W / Section 05	5-7	5-7	AJ
	Appendix W / Section 05	5-8	5-8	TR-2023-003
	Appendix W / Section 05	5-9	5-9	AJ
	Appendix W / Section 05	5-10	5-10	TR-2023-003
	Appendix W / Section 06	6-5	6-5	TR-2023-003
	Appendix W / Section 06	6-5	6-5	BX
	Appendix W / Section 06	6-23	6-23	TR-2023-003
	Appendix W / Section 06	6-24	6-24	BX

* Shows the last issued Temporary Revision

INTENTIONALLY LEFT BLANK



6AB1EL139_WNM-2-20_470A

- | | |
|---------------------|----------------------|
| 1 IFEEL Computer | 25 Washer |
| 2 Screw | 26 Nut |
| 3 Washer | 27 Shelf assy |
| 4 Washer | 28 Screw |
| 5 Washer | 29 Washer |
| 6 Centering Stud | 30 TB1102 module |
| 7 Angle | 31 Rail |
| 8 Rack Cable assy | 32 Nut |
| 9 Support assy | 33 Screw |
| 10 Decal | 34 Washer |
| 11 Decal | 35 Eliminator filter |
| 12 TCM Module | 36 TCM decal |
| 13 Screw | 37 ETH decal |
| 14 Washer | 38 Power supply (2) |
| 15 RH upper support | 39 Screw |
| 16 Screw | 40 Washer |
| 17 Washer | 41 Rack cable assy |
| 18 Ethernet switch | 42 Washer |
| 19 Cover | 43 Washer |
| 20 Screw | 44 Nut |
| 21 Washer | 45 Splitter VGA |
| 22 Terminal board | 46 Screw |
| 23 Nut | 47 Washer |
| 24 Washer | |

Figure 2-4 Electronic and electrical devices installation/removal (Sheet 2 of 2).

2 - 6 - 5 TOUCHSCREEN RETROMODIFICATION INSTRUCTIONS

NOTE

This Retromodification is necessary when touchscreens P/N 6IFCP001-242, P/N 6IFCP001-243, P/N 6IFCP001-244 or 6IFCP001-245 are replaced with touchscreens P/N 6IFCP-UNI-001.

2 - 6 - 5 - 1 TOUCHSCREEN REPLACEMENT

1. Replace touchscreens P/N 6IFCP001-242, P/N 6IFCP001-243, P/N 6IFCP001-244 or P/N 6IFCP001-245 with touchscreens P/N 6IFCP-UNI-001 according to procedure in Section 2 of Owner's Manual P/N 6AB1WNM-2-17.

2 - 6 - 5 - 2 RACK WIRING MODIFICATION

1. Gain access to the storage compartment by opening the relevant access doors.
2. If installed, remove the aft panel of equipment rack intermediate bulkhead according to the applicable procedure in Paragraph "2 – 5 SEPARATION BULKHEAD INSTALLATION" of this Appendix.
3. Gain access to the equipment rack assy.
4. Making reference to the applicable Wiring Diagram disconnect P1 PWR SPLY connector from VGA splitter DAPS350 and rework wiring in order to power touch screen with 28 Vdc current, as follows:
 - a. Making reference to the applicable Wiring Diagram, on connector P1 PWR SPLY:
 - i. Disconnect cable T3A20 from pin 1 ;
 - ii. Disconnect cable RZ14A22 from pin 4;
 - iii. Disconnect cable RZ16A22 from pin 6;
 - b. Making reference to Figure 5-5 of Wiring Diagrams section of this Appendix, on connector P1 PWR SPLY:
 - i. Splice together wires T3A20, RZ14A22, RZ16A22 and a wire AWG #20 unmarked.
 - ii. Crimp a Pin P/N M39029/63-368 on AWG #20 unmarked cable;
 - iii. Connect AWG #20 unmarked cable to Pin 1;
 - iv. Leave Pin a and Pin 6 of P1 PWR SPLY unconnected.
5. Connect P1 PWR SPLY connector to VGA splitter DAPS350.

2 - 6 - 5 - 3 SOFTWARE UPDATE

1. Perform the Software Update needed to make the system compatible with 6IFCP-UNI-001 touch screens.
 - a. Get Software Update from the folder "Software_update" contained in zipped folder "SB-AB1-075".
 - b. Unzip "Update31493_v9.zip" file in a temporary folder.
 - c. Format a USB KEY.
 - d. Copy the files "UpdateNow.IFEEL", "UpdateNow.Auto" and folder "Update" from the temporary folder to USB KEY root.
 - e. Power on the system and wait for all HMIs to be up and running (about 2/3 minutes).

- f. Insert USB KEY in IFEEL USB slot: the system will automatically start the updating procedure.
 - g. All HMIs will now show a white user interface.
 - h. System automatically restarts.
 - i. Once the restart is completed, the system starts the update.
 - j. When the update is completed, the system restarts automatically.
 - k. When all HMIs show the HOME interface power down the entire system and remove the USB Key.
 - l. Restart the system.
 - m. When all HMIs show the HOME interface the Update can be consider completed
 - n. Please send the log files contained in the USB Key to oaw@mecaer.com.
2. Mark "B" as software IFEEL revision on the label located on IFEEL side (ref to Figure 2-6) with a permanent marker.

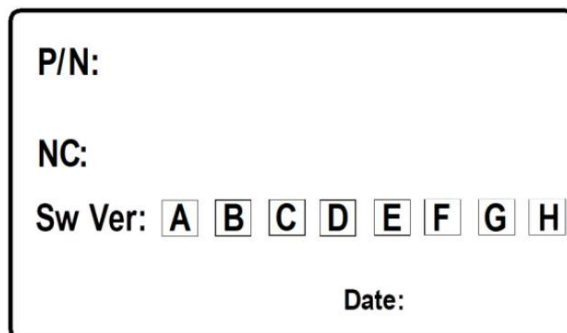


Figure 2-6 – Label – for reference only

2 - 6 - 5 - 4 FUNCTIONAL CHECKS

1. Perform functional check according to Paragraph "4 – 5 Functional check" of this Appendix.

2 - 6 - 6 REQUIREMENTS AFTER JOB COMPLETION

1. Remove all the tools and the other items from the work area. Make sure that the work area is clean.
2. Perform IFEEL system functional check as described in paragraph [Para. 4 - 5](#).

2 - 6 - 7 WEIGHT AND BALANCE

After the installation of IFEEL Installation P/N 6AB1AD016-001 a new Helicopter Empty Weight and Center of Gravity (C.G.) must be determined according to 39-A-08-31-00-00A-000A-A "Weighing" of AW139 IETP.

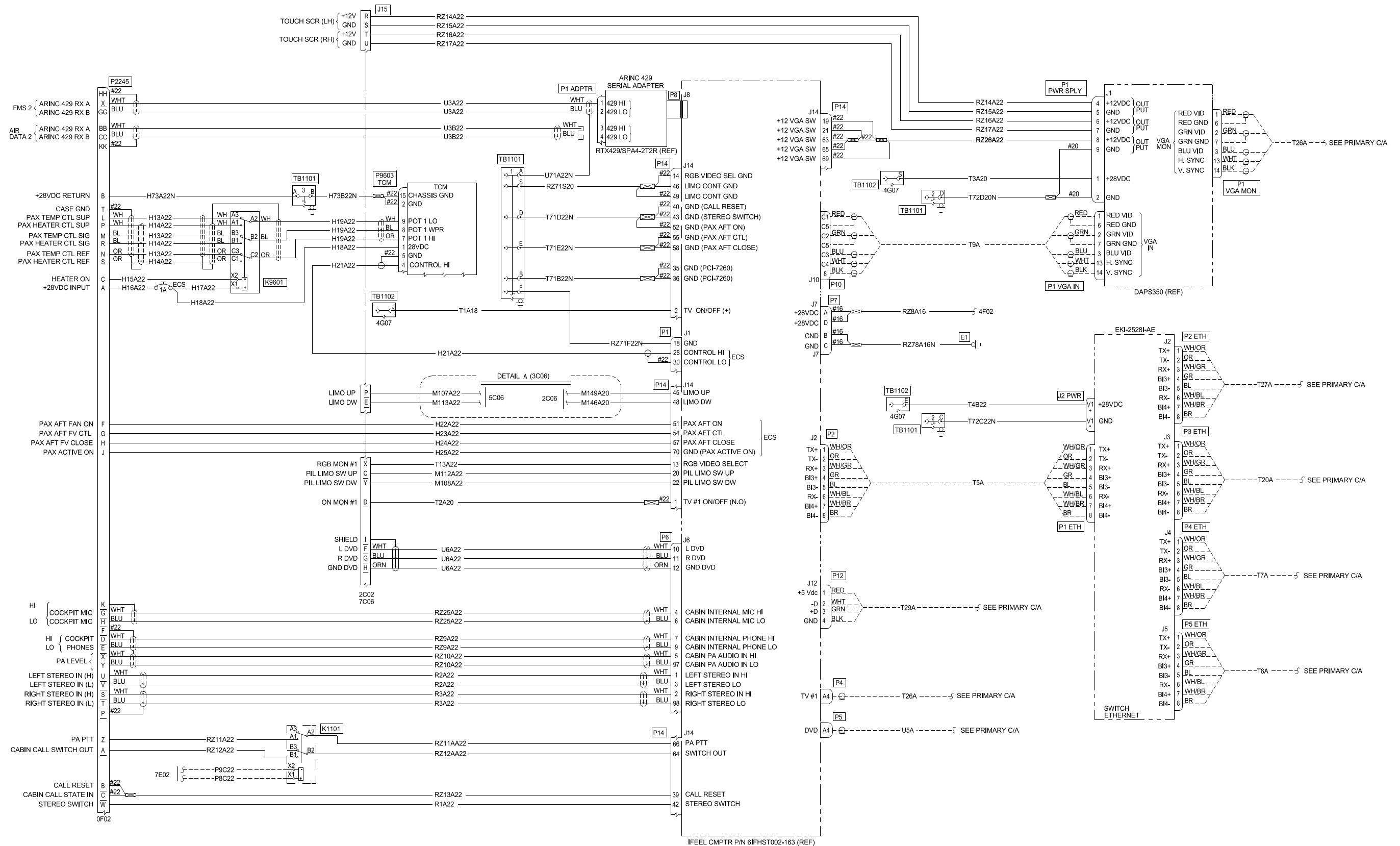
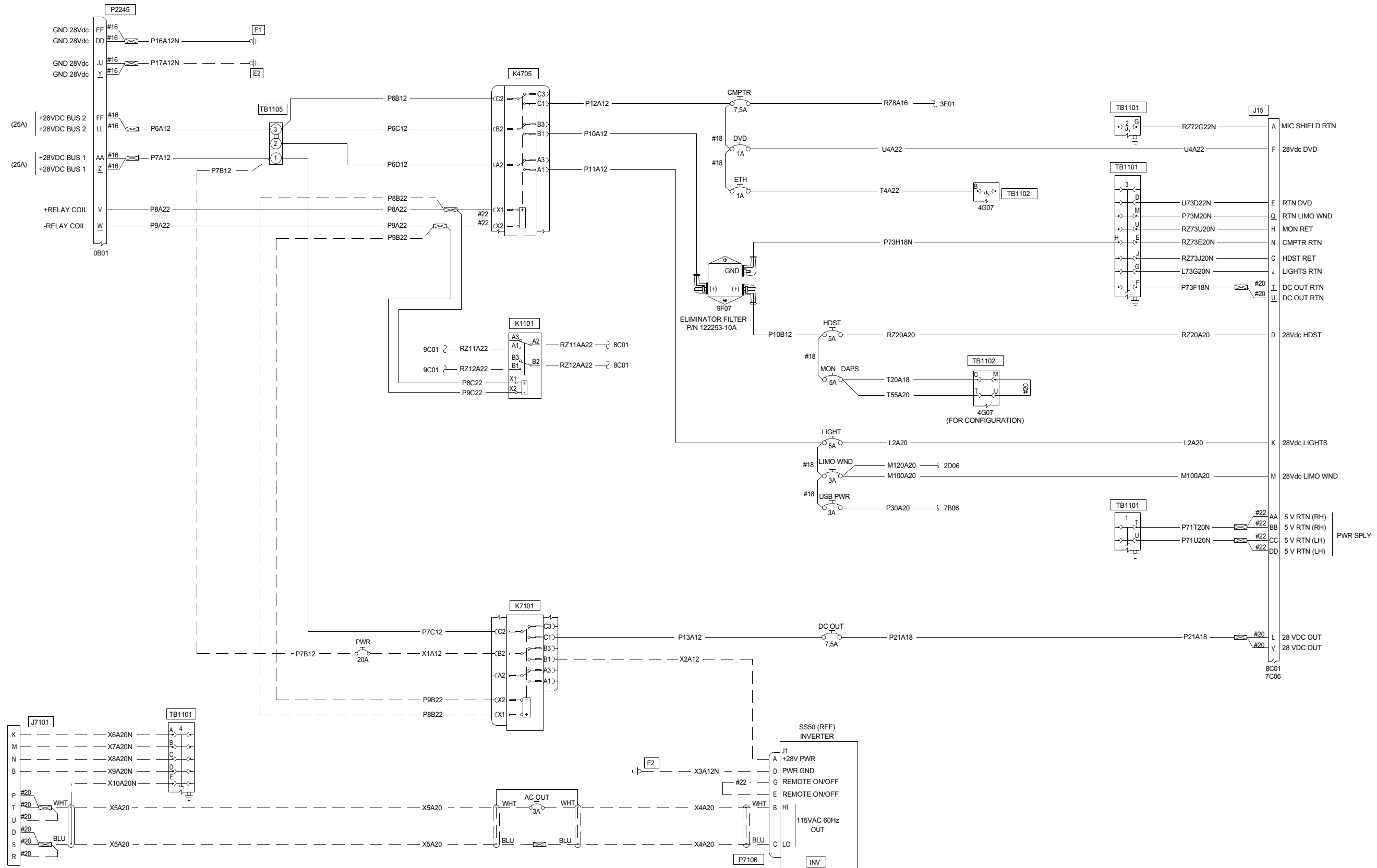


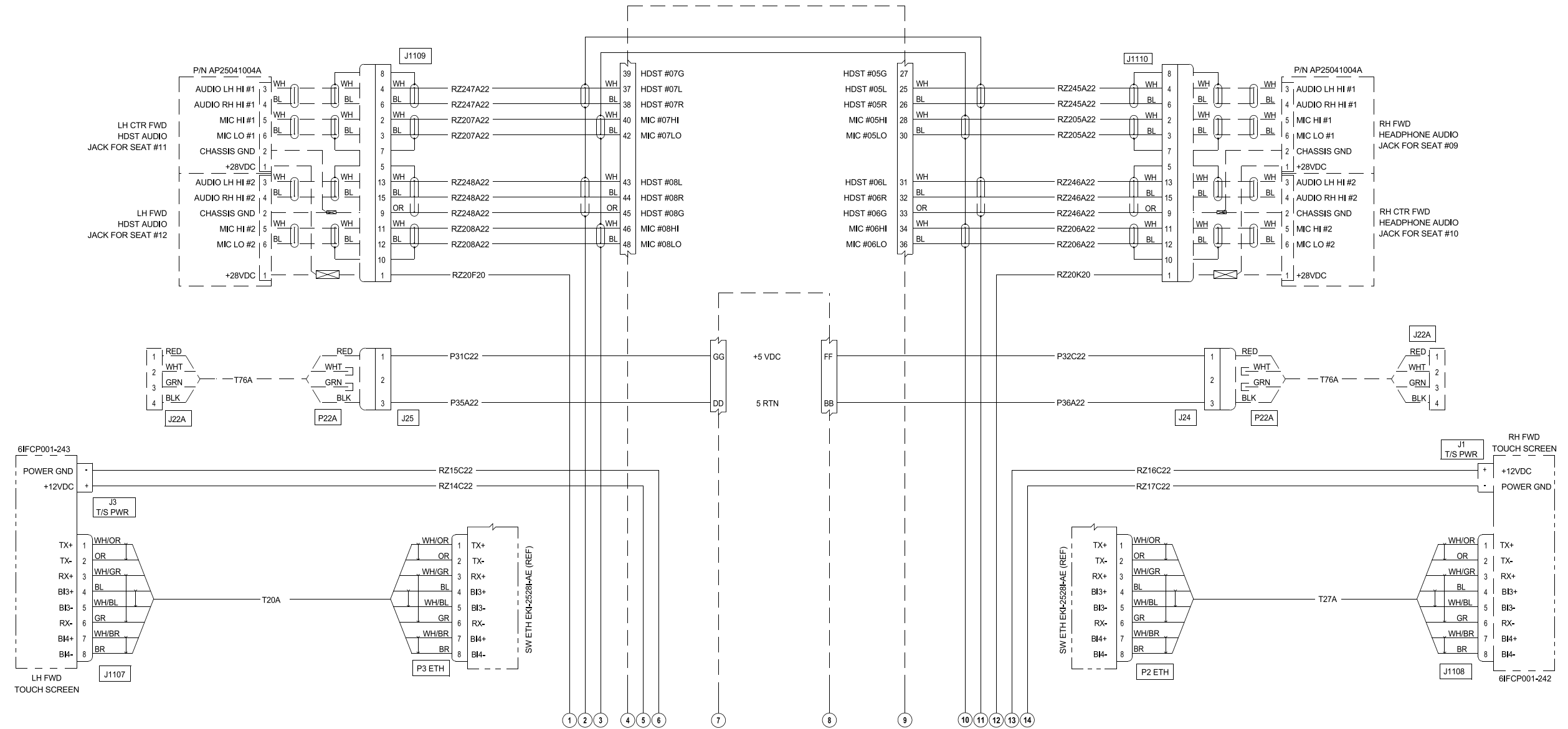
Figure 5-1 Rack wiring diagram (Sheet 1 of 2).

NOTE: this figure is NOT applicable when Touch screen Retromod (31493) P/N 6AB1EL339-001 is installed. Refer to Figure 5-5 of this Appendix



6AB1EL153-031_SH02A_WNM-2-20_560A

Figure 5-1 Rack wiring diagram (Sheet 2 of 2).



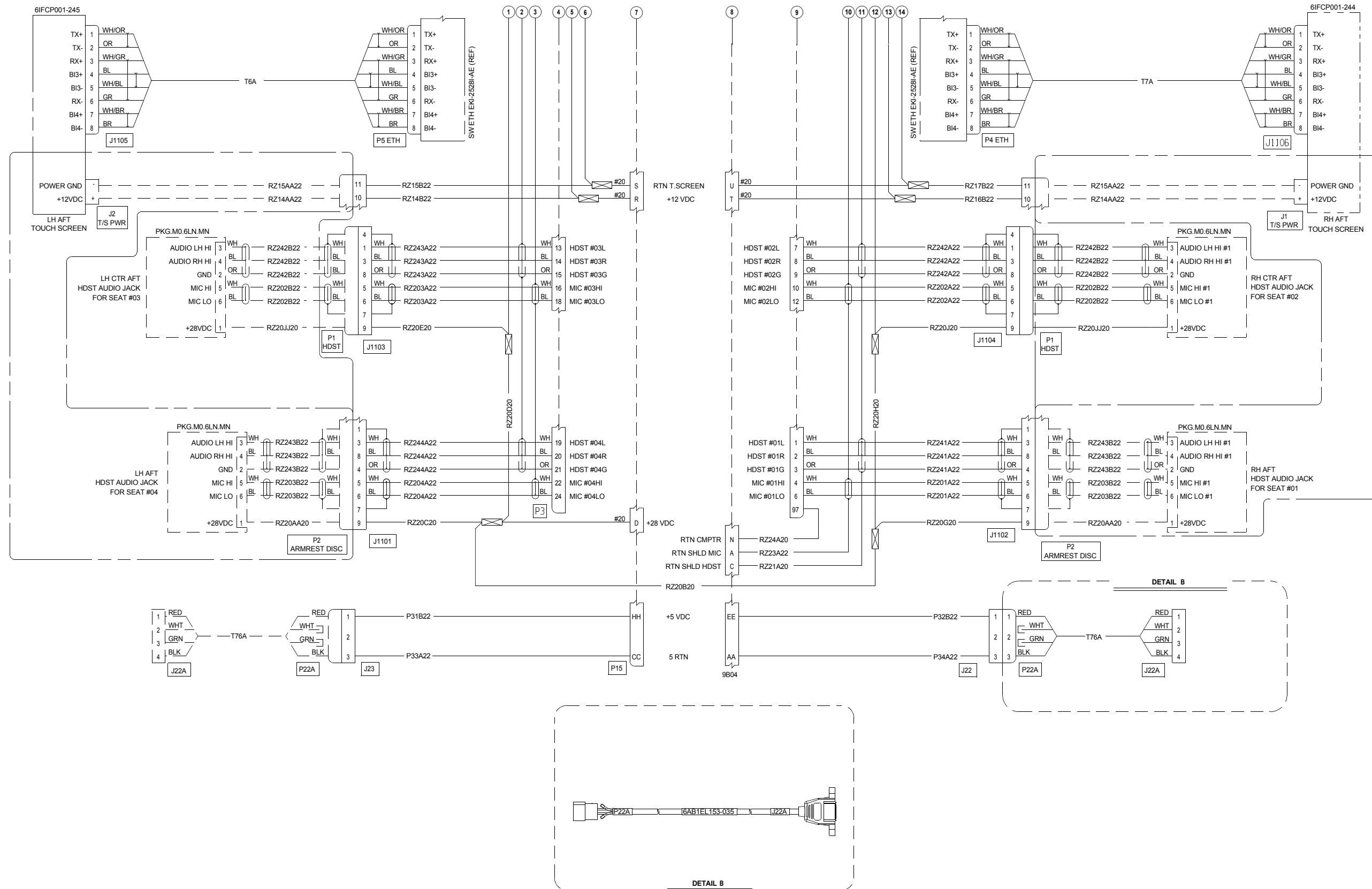
SEE SHEET 2

NOTE: When Touch screen Retromod (31493) P/N 6AB1EL339-001 is installed, P/N 6IFCP001-242 or -243 or -244 or -245 are replaced by P/N 6IFCP-UNI-001.

6AB1EL153-033_SH03A_WNM-2-20_561A

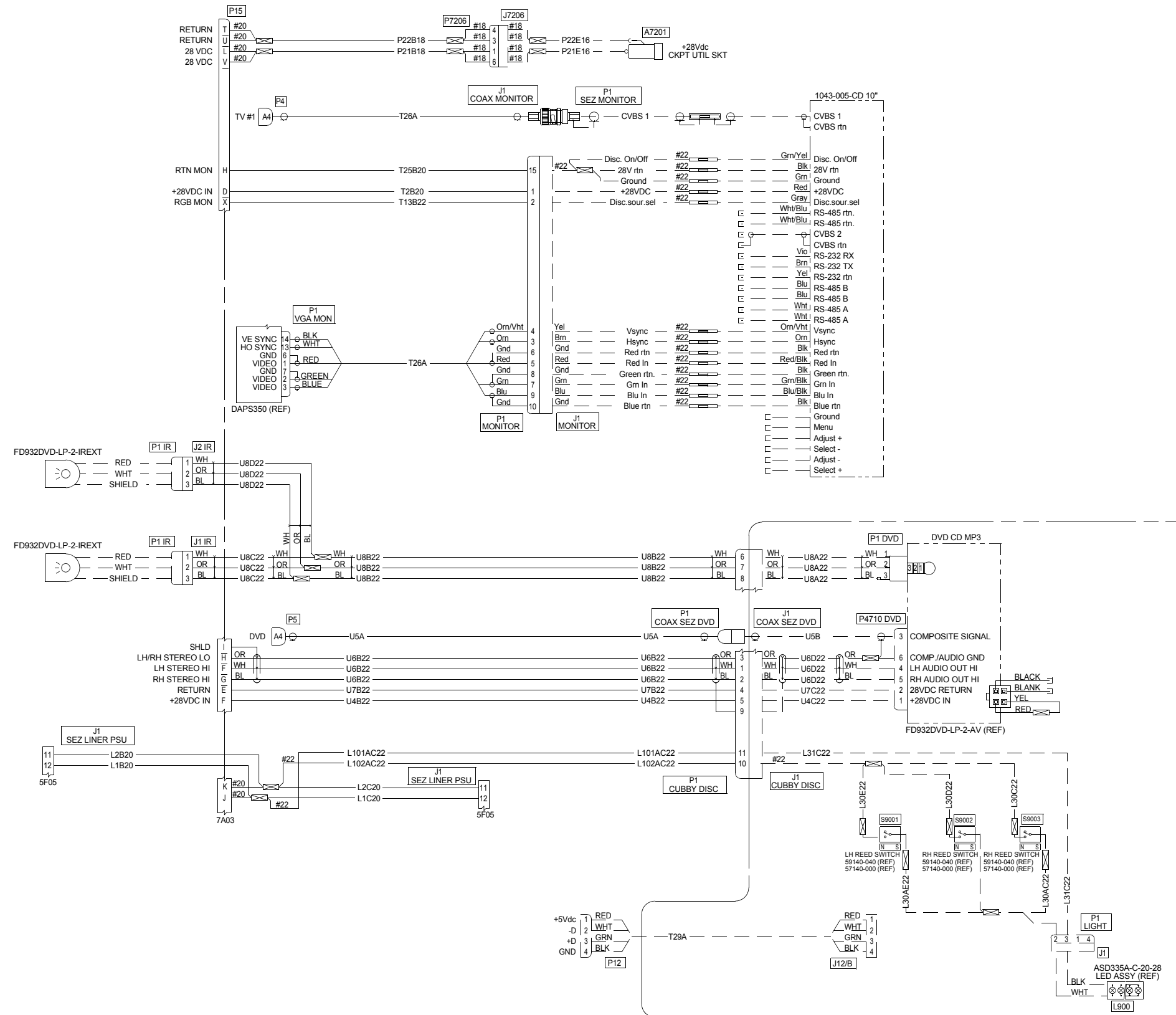
Figure 5-2 Primary wiring diagram (Sheet 1 of 3).

SEE SHEET 1



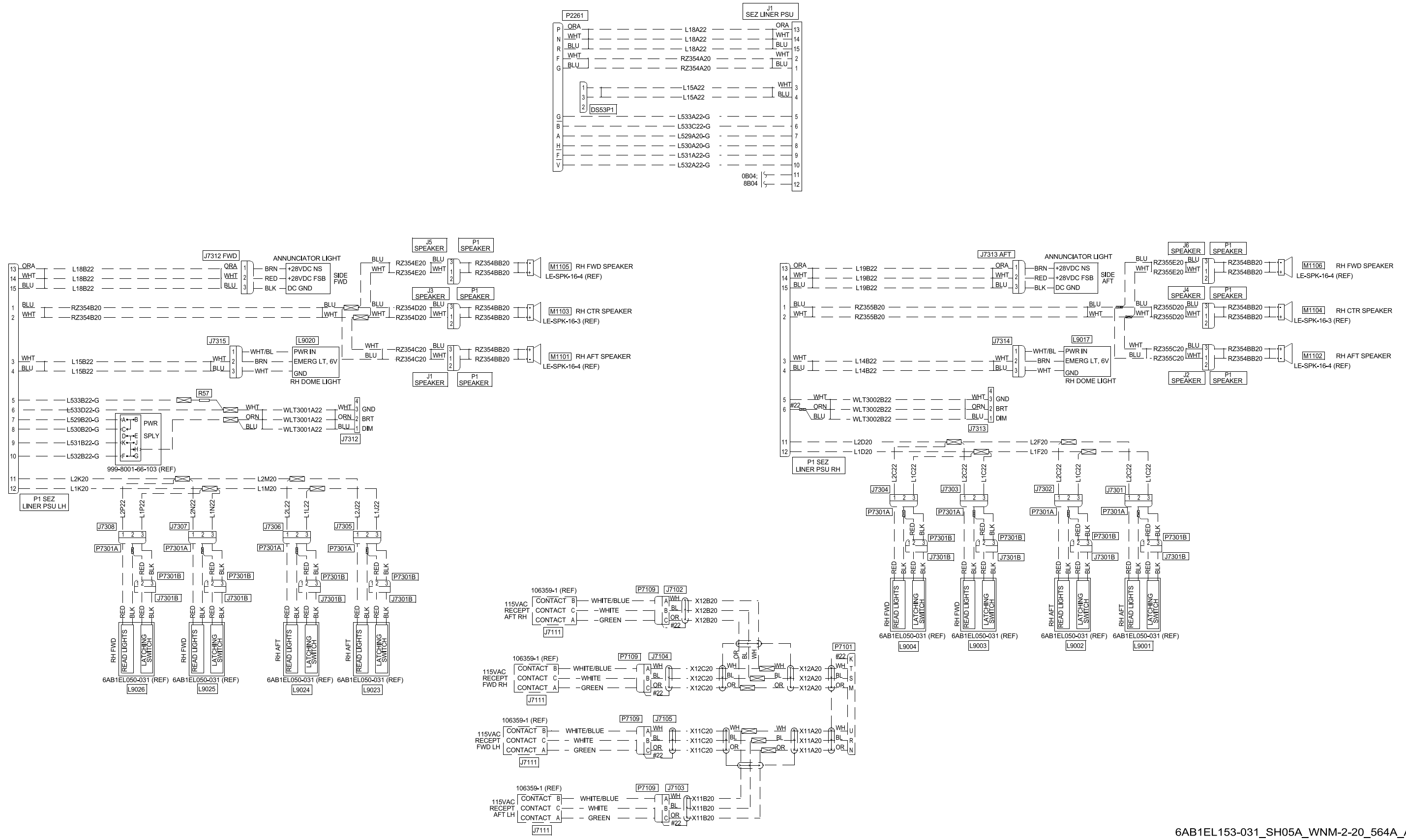
6AB1EL153-033_SH03A_WNM-2-20_562A

Figure 5-2 Cabin wiring diagram (Sheet 2 of 3).



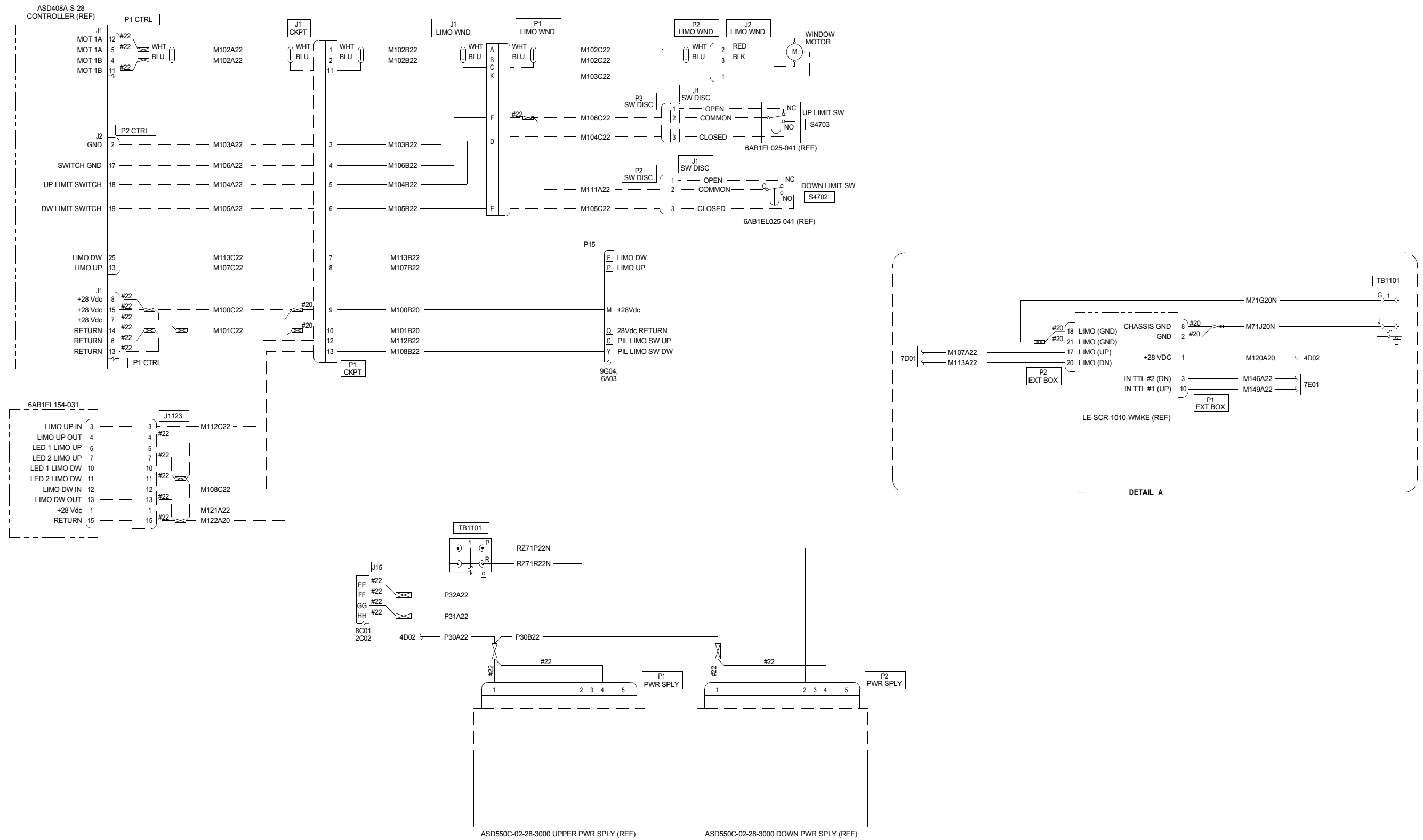
6AB1EL153-033_SH04A_WNM-2-20_563A

Figure 5-2 Cabin wiring diagram (Sheet 3 of 3).



6AB1EL153-031_SH05A_WNM-2-20_564A_A

Figure 5-3 Upper lateral liners wirinf diagrams.



6AB1EL153-033_SH06C_WNM-2-20_565A

Figure 5-4 Limo window wiring diagram.

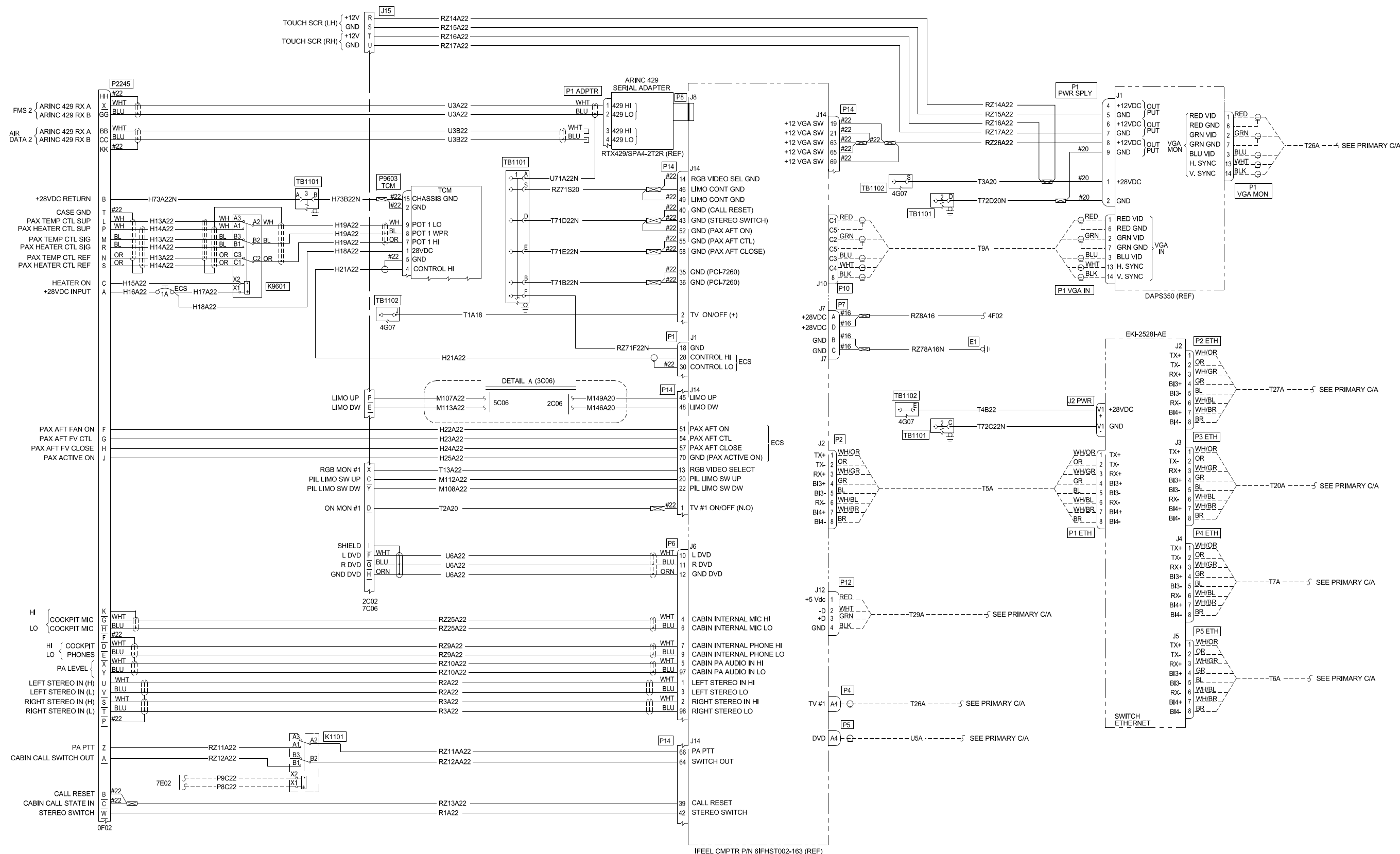


Figure 5-5 Touch screen Retromod (31493)



Owner's Manual
for IFEEL ENTERTAINMENT SYSTEM INSTALLATION
P/N 6AB1AD016-001

Appendix W to
6AB1WNM-2-20

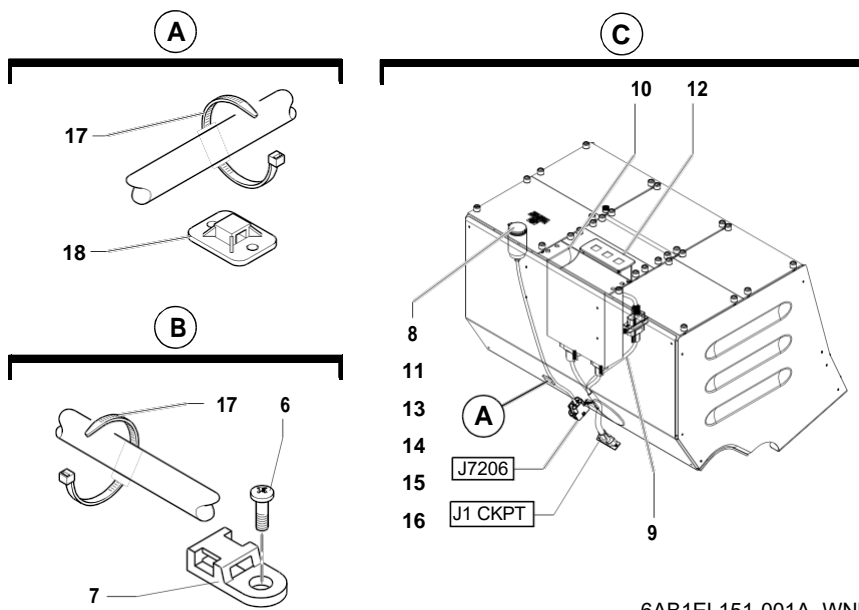
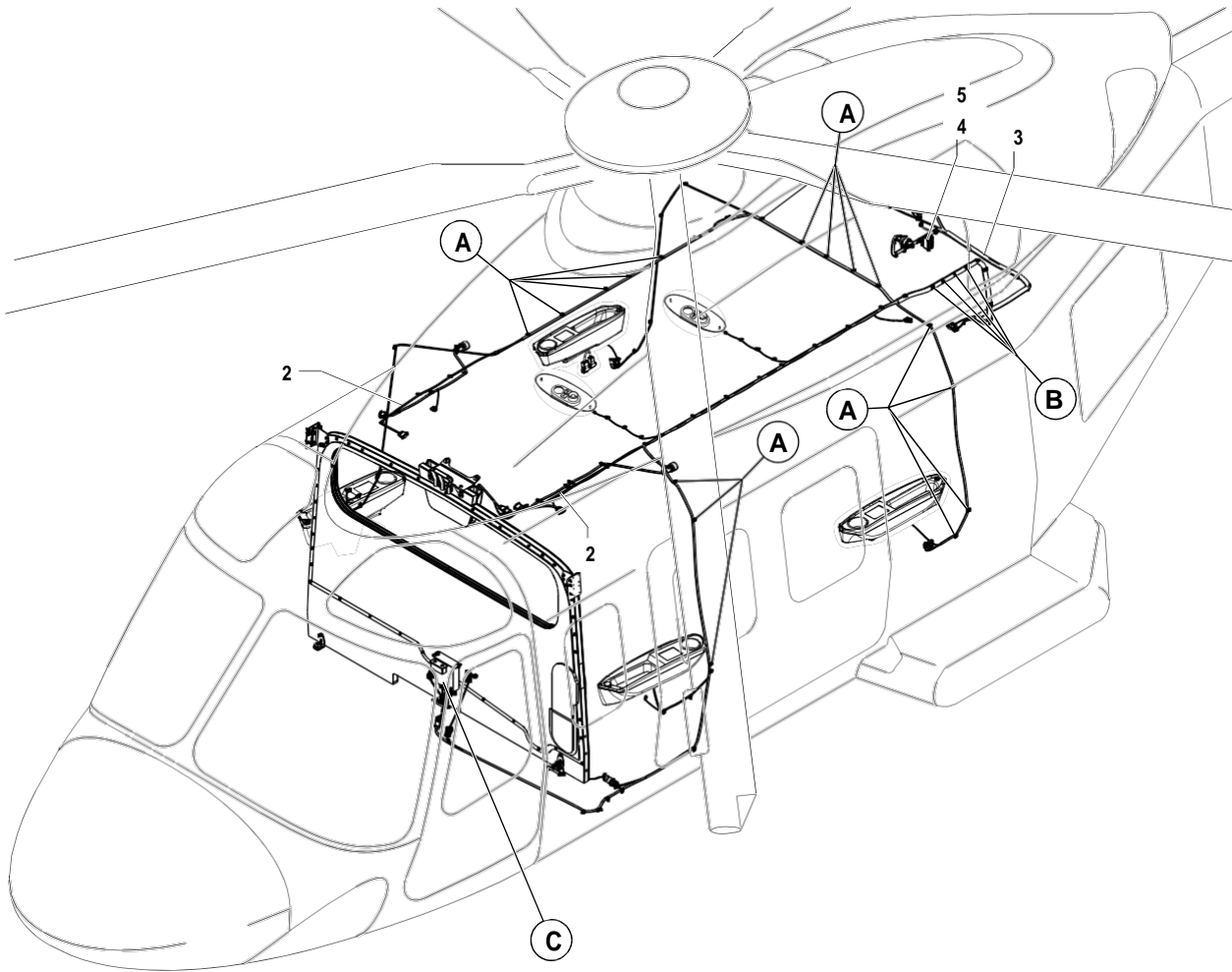
FIGURE AND INDEX NUMBER	PART NUMBER	MFR CODE	DESCRIPTION	UNIT PER ASSY	USABLE ON CODE
6-1 0	6AB1KT025-069	A3729	IFEEL INSTL KIT	REF.	
1	6AB1EL151-001	A3729	• IFEEL ELECTRICAL INSTL (For IPB see Figure 6-2)	1	
2	6AB1ME224-009	A3729	• SEPARATION BULKHEAD INSTL (For IPB see Figure 6-3) (NOTE 1) (NOTE 3)	1	
2	6AB1ME224-013	A3729	• REAR PANEL CLOSURE MODIFICATION (For IPB see Figure 6-4) (Alternative to 6AB1ME224-009) (NOTE 4)	1	
3	6AB1ME229-001	A3729	• CROSS BEAM INSTALLATION (For IPB see Figure 6-6)	1	
4	6AB1ME357-015	A3729	• CROSS BEAM MODIFICATION (For IPB see Figure 6-8)	1	
5	6AB1EL339-001	A3729	• TOUCHSCREEN RETROMOD (31493) (For IPB see Figure 6-9) (NOTE 5)	1	

NOTE 1: The Separation Bulkhead Installation P/N 6AB1ME224-009 shall be installed on the helicopter when Cubby Installation P/N 6AB1ME173, P/N 6AB1ME176 or P/N 6AB1ME054 is also present.

NOTE 3: The Separation Bulkhead Installation P/N 6AB1ME224-009/6AB1ME224-011 shall be installed only when Auxiliary Fuel Tank Kit P/N 3G2800F00111 is not installed on the helicopter.

NOTE 4: The Rear Panel Closure Modification P/N 6AB1ME224-013 shall be installed only when Auxiliary Fuel Tank Kit P/N 3G2800F00111 is installed on the helicopter.

NOTE 5: The Touch screen retromod (31493) shall be installed only when touchscreen P/N 6IFCP001-242 or P/N 6IFCP001-243 or P/N 6IFCP001-244 or 6IFCP001-245 are replaced with touchscreen P/N 6IFCP-UNI-001



6AB1EL151-001A_WNM-2-20_552A

Figure 6-2 IFEEL Electrical Installation.

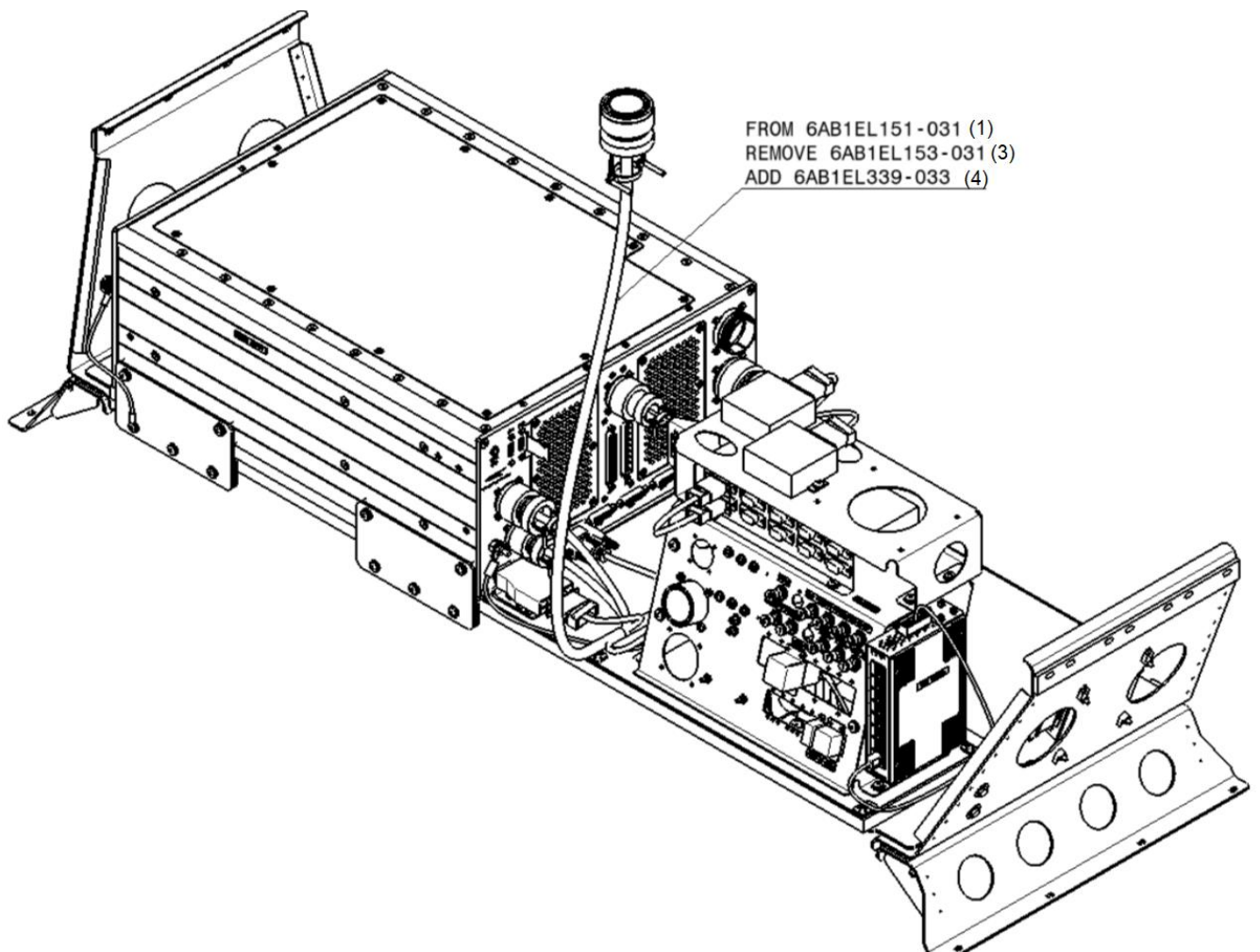


Figure 6-9 Touch screen Retromod (31493)



Owner's Manual
for IFEEL ENTERTAINMENT SYSTEM INSTALLATION
P/N 6AB1AD016-001

Appendix W to
6AB1WNM-2-20

FIGURE AND INDEX NUMBER	PART NUMBER	MFR CODE	DESCRIPTION	UNIT PER ASSY	USABLE CODE
			1 2 3 4 5 6 7		
6-9	6AB1EL339-001	A3729	TOUCH SCREEN RETROMOD (31493) (For NHA see Figure 6-1)	1	
- 1	6AB1EL151-031		• RACK CABLE ASSY	- 1	
- 2	6AB1EL339-031		• RACK CABLE ASSY	1	
- 3	6AB1EL153-031		•• RACK CABLE ASSY	1	
- 4	6AB1EL339-033		•• CABLE ASSY	1	
- 5	6NV-EMI-001-02		••• CABLE ASSY IDENTIFICATION	2	
- 6	6NV-EMI-002-21-HS		••• STRAP	AR	
- 7	6NV-EMI-002-04-HS		••• STRAP	AR	
- 8	6NV-EMI-007-02-9		••• SLEEVING MARKER CABLE	AR	
- 9	6SPEC-073-BM		••• STRING TO TIE	3 m	
- 10	6STD052-T20		••• CAVO SINGOLO 260°	1 m	
- 11	M39029/63-368		••• SOCKET SERIES M24308	1	
- 12	M81824/1-2		••• SPLICE BLUE	1	