

Temporary Maintenance Instruction TMI 139-571

Passengers Service Unit (PSU) - Install/Remove procedure.

All AW139 Helicopters

The technical content of this document is approved under the authority of DOA nr. EASA.21J.005.

The present TMI will be evaluated for its introduction in the standard set of Technical Publication.

If no further notice is received, the present document expires on: September 7th 2024.

2023-09-07

Introduction

This TMI provides the instructions and requirements to perform the Passengers Service Unit (PSU) P/N 3G3320V01451 / 3G3320V01452 - Install/Remove procedure.

Following procedures contained in this TMI updates and supersedes the contents of the relative Data Modules inside IETP:

ANNEX	DATA MODULE CODE	DATA MODULE TITLE
Annex 1	39-A-33-12-02-00B-520A-A	Passenger Service Unit (PSU) - Remove procedure
Annex 2	39-A-33-12-02-00B-720A-A	Passenger Service Unit (PSU) - Install procedure

The content of this TMI will be endorsed within the applicable Maintenance Manual at the earliest opportunity.

Passengers Service Unit (PSU) – Install/Remove procedure.

Table of contents

Refer to attached annexes

List of tables

Refer to attached annexes

List of figures

Refer to attached annexes

References

Refer to attached annexes

Preliminary Requirements

Required conditions

Refer to attached annexes

Support equipment

Refer to attached annexes

Supplies

Refer to attached annexes

Spares

Refer to attached annexes

Safety condition

Refer to attached annexes

Procedure

Refer to attached annexes

Requirement after job completion

Refer to attached annexes

Passenger Service Unit (PSU) - Remove procedure

Table of contents

References 1

Preliminary requirements 2

Procedure 3

Requirements After Job Completion 3

List of tables

1 References 1

2 Access points 2

3 Zones 2

4 Required Conditions 2

5 Support Equipment 2

6 Supplies 2

7 Spares 2

List of figures

1 Passenger Service Unit (PSU) - Remove procedure 4

References

Table 1 References

Data Module	Title
39-A-00-20-00-00A-120A-A	Helicopter safety - Pre-operation (make helicopter safe for maintenance)
39-A-33-12-02-00B-720A-A	Passenger Service Unit (PSU) - Install procedure

Table 2 Access points

Access Panel / Door Id	Data Module
No Access Point	

Table 3 Zones

Access Panel / Door Id	Data Module
No Zones	

Preliminary Requirements

Required Conditions

Table 4 Required Conditions

Conditions	Data Module/Technical Publication
The helicopter must be safe for maintenance	39-A-00-20-00-00A-120A-A

Support Equipment

Table 5 Support Equipment

Nomenclature
No Support Equipment

Supplies

Table 6 Supplies

Nomenclature
No Supplies

Spares

Table 7 Spares

Nomenclature
No Spares

Safety Conditions

No Safety Condition

Procedure

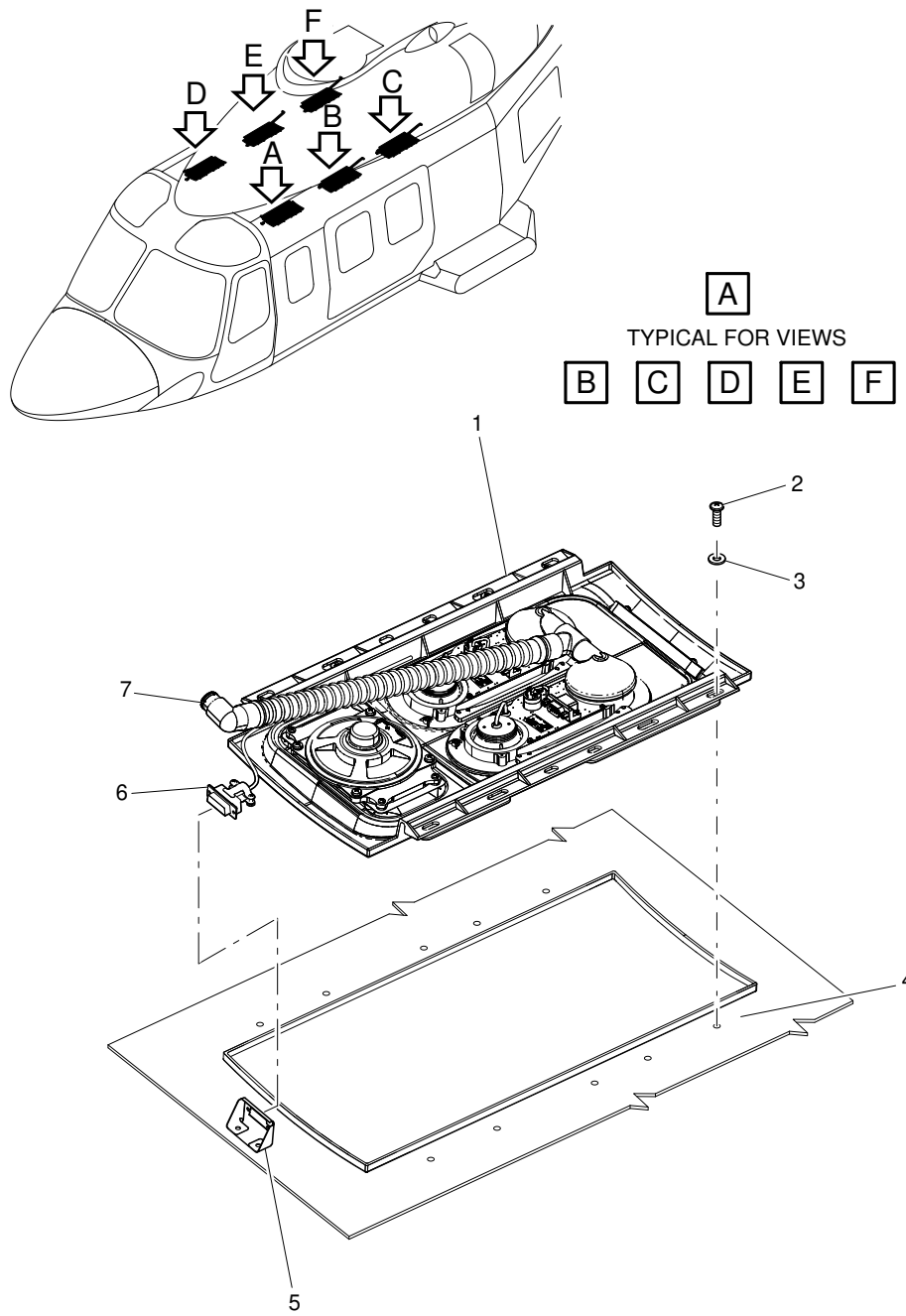
Note

This procedure is typical for all the Passenger Service Units DS12, DS13, DS14, DS15, DS16 and DS17.

- 1 During this procedure, you must put the applicable caps on all the disconnected electrical connectors. Do this immediately after you disconnect each electrical connector.
- 2 Get access to the left or right lining panel (4, [Figure 1](#)) in the cabin.
- 3 Hold the lining panel (4) with your hands.
- 4 Carefully release the parts that attach the lining panel (4) to the structure.
- 5 Carefully lower the lining panel (4) as the cables and the tubes will let.
- 6 Disconnect the electrical connector (6) of the Passenger Service Units (PSU) from its receptacle (5) on the lining panel (4).
- 7 Disconnect the flexible hose (7) of the air diffuser from the related fitting.
- 8 Carefully remove the ten screws (2) and the ten washers (3) that attach the PSU (1) to the inner side of the lining panel (4).
- 9 Remove the PSU (1) from the lining panel (4).
- 10 Remove the PSU (1) from the helicopter.

Requirements After Job Completion

- 1 Install the Passenger Service Units (PSU). Refer to [39-A-33-12-02-00B-720A-A](#) (SEE ANNEX 2 OF this TMI).



ICN-39-A-331202-G-00001-40162-A-001-01

Figure 1 Passenger Service Unit (PSU) - Remove procedure

End of Data Module

Passenger Service Unit (PSU) - Install procedure

Table of contents

References 1

Preliminary requirements 2

Procedure 3

Requirements After Job Completion 3

List of tables

1 References 1

2 Access points 2

3 Zones 2

4 Required Conditions 2

5 Support Equipment 2

6 Supplies 2

7 Spares 2

List of figures

1 Passenger Service Unit (PSU) - Install procedure 4

References

Table 1 References

Data Module	Title
39-A-00-20-00-00A-120A-A	Helicopter safety - Pre-operation (make helicopter safe for maintenance)
39-A-20-00-00-00A-711A-A	Threaded fasteners - Tighten procedure
39-A-33-12-00-00A-320A-A	Cabin lighting system - Operation test

Table 2 Access points

Access Panel / Door Id	Data Module
No Access Point	

Table 3 Zones

Access Panel / Door Id	Data Module
No Zones	

Preliminary Requirements

Required Conditions

Table 4 Required Conditions

Conditions	Data Module/Technical Publication
The helicopter must be safe for maintenance	39-A-00-20-00-00A-120A-A

Support Equipment

Table 5 Support Equipment

Nomenclature
No Support Equipment

Supplies

Table 6 Supplies

Nomenclature
No Supplies

Spares

Table 7 Spares

Nomenclature	Identification No.	Qty
Passenger Service Unit (PSU)	25-29-00-02 -001	AR

Safety Conditions

No Safety Condition

Procedure

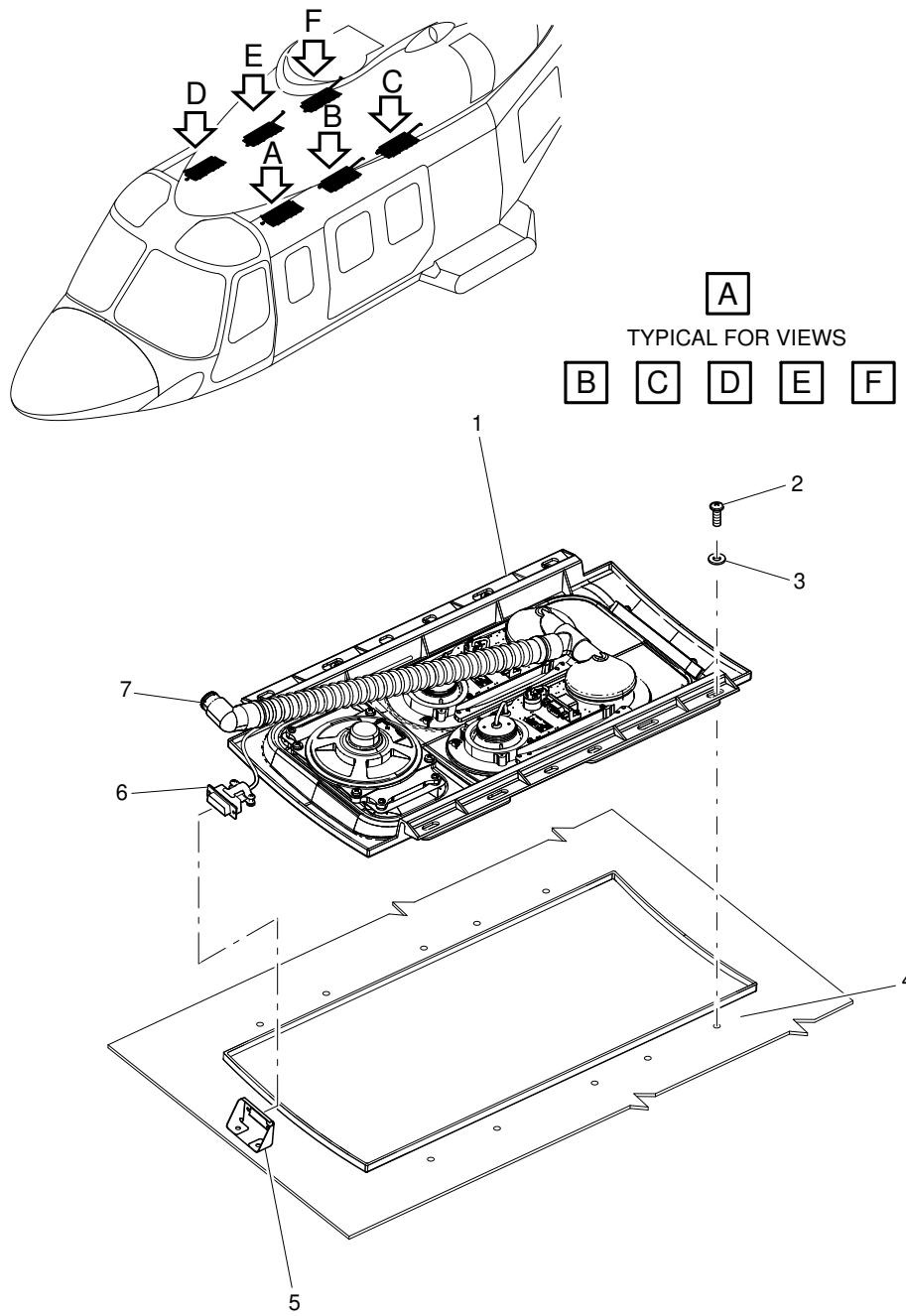
Note

This procedure is typical for all the Passenger Service Units DS12, DS13, DS14, DS15, DS16 and DS17.

- 1 During this procedure, you must remove the caps from the electrical connectors. Do this immediately before you connect the electrical connectors.
- 2 Put the Passenger Service Unit PSU (1, [Figure 1](#)) in its position on the lining panel (4).
- 3 Attach the PSU (1) to the lining panel (4) with the ten washers (3) and the ten screws (2).
- 4 Tighten the ten screws (2) to the standard torque value. Refer to [39-A-20-00-00-00A-711A-A](#).
- 5 Connect the flexible hose (7) of the air diffuser to the related fitting.
- 6 Connect the electrical connector (6) of the PSU (1) to its receptacle (5) on the lining panel (4).
- 7 Carefully close the lining panel (4). Make sure that the PSU components, hoses and electrical cables are not against or hit the structure.
- 8 Make sure that the shape of the lining panel (4) is the same along all the panel. The different shape can show that the panel is not installed correctly or the inner components hit the structure.
- 9 Carefully attach the lining panel (4) to the structure with its attach parts.

Requirements After Job Completion

- 1 Remove all the tools and the other items from the work area. Make sure that the work area is clean.
- 2 Do the operation test of the cabin lighting system. Refer to [39-A-33-12-00-00A-320A-A](#)



ICN-39-A-331202-G-00001-40162-A-001-01

Figure 1 Passenger Service Unit (PSU) - Install procedure

End of Data Module