

TIC-EC120B-23-0049

1. AERONET UPDATED

The image shows two overlapping windows from the Aeronet software. The top window is titled "Edit Limitation (A/C: 9M-GAS)" and contains the following fields:

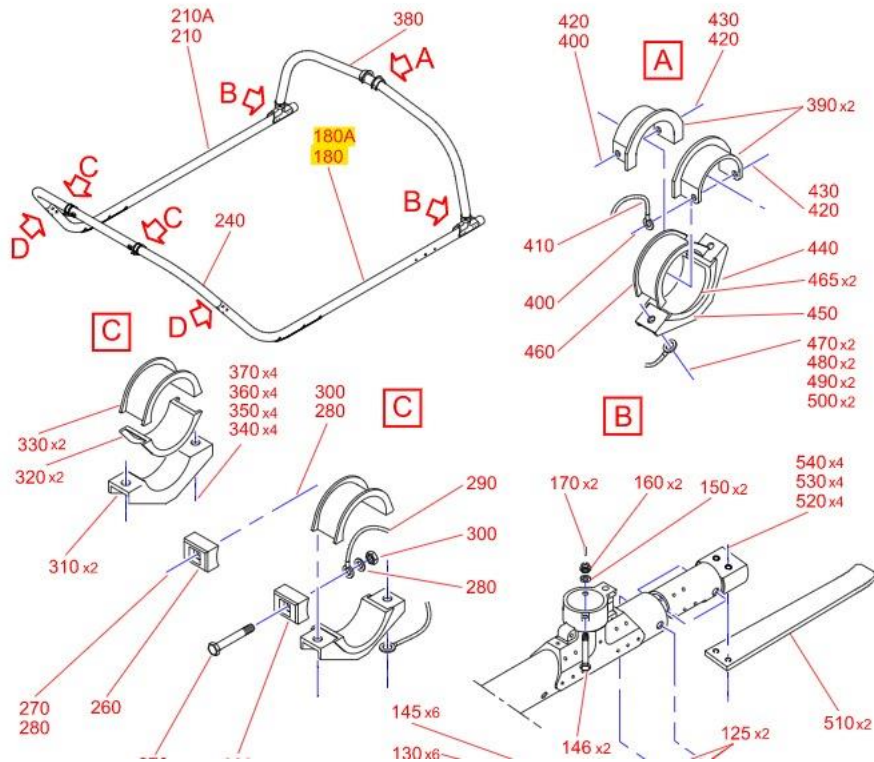
- Based On: Select
- Warning: 0
- Warning Unit: Select
- Completed: -
- Due At:
- Status: TO BE COMPLIED
- Limitation Notes: TIC-EC120B-23-0049
TO BE COMPLIED WITH DURING NEXT SCHEDULED MAINTENANCE, IF APPLICABLE
ACTION REQUIRED: TO ISSUE WORK ORDER FOR LANDING GEAR PAD ASSEMBLIES PN VERIFICATION, TO ISSUE WORK ORDER FOR SB COMPLIANCE IF APPLICABLE

The bottom window is a web browser showing the URL https://galaxy aerospace.aeronet.nz/index.html?function=aircraft_templates&opener_name=aircraft&mode=edit&template=no&opener_.... The browser title is "Aeronet Galaxy Aerospace > Modifications > Edit - Personal 3 - Microsoft Edge". The page content includes:

- AD/SB ID: 11240
- Buttons: Close, Update, Save & Close
- Navigation tabs: General, Config List, Aircraft List, Task/Check List, Linked To, BOM
- Type: SBS Repetitive
- Reference/Number: LANDING GEAR - METHOD TO ESTIMATE THE NUMBER OF AUTOROTATION LANDINGS
- Title/Subject: SB EC120-32-00-0001, NEW ISSUE
- Version No:
- Reason For Raising:
- URL:
- Date: -- -- -- --
- Tolerance: 0% (Whole numbers only)

2. AMM VERIFICATION OF LANDING GEAR PAD ASSEMBLIES PN

LANDING GEAR ASSY
Figure 1/1



Qty: 2	160 NUT MPN: ASN40045108BCL MFC: F3442 Qty: 2
170 PIN,COTTER MPN: EN22671802S MFC: 10065 Qty: 2	
180 180A 180 PAD ASSYLH MPN: C321A2197101 MFC: F0219 Qty: 1	
210 210A 210 PAD ASSYRH MPN: C321A2198101 MFC: F0219 Qty: 1	
240 CROSS BEAM,FWD MPN: C321A2194101 MFC: F0219 Qty: 1	
250 250A	

180 PAD ASSYLH

CSN: 32-12-00-010-180

Quantity: 1

Total quantity: 1

NATO Stock Number: 1620-14-519-3462

Airbus Part Number: -

Equivalent Part Number: -

Refer to: -

History and evolution

Modification: -

Interchangeability: -

Applicability

Effectivity: -

Version: -

S/N: 1001-1003, 1005-1129

Additional information

- 170 PIN,COTTER**
 MPN: 84286738208
 MFC: 86055
 Qty: 2
- 180 180A**
180 PAD ASSYLH
 MPN: C321A2107101
 MFC: 80210
 Qty: 1
- 210 210A**
210 PAD ASSY,RH
 MPN: **C321A2108101**
 MFC: 80210
 Qty: 1
- 240 CROSS BEAM,FWD**
 MPN: C321A2104101
 MFC: 80210
 Qty: 1
- 250 250A**
250 RIVET,BLIND
 MPN: 45N480275R0304
 MFC: F5442
 Qty: 18
- 260 STOP,FWD**
 MPN: C321A1007201

210 PAD ASSY,RH

Manufacturer part number: C321A2108101

Manufacturer code: F0210
 CSN: 32-12-00-010-210
 Quantity: 1
 Total quantity: 1
 NATO Stock Number: 1620-14-519-3463
 Airbus Part Number: -
 Equivalent Part Number: -
 Refer to: -

History and evolution

Modification: -
 Interchangeability: -

Applicability

Effectivity: -
 Version: -
 S/N: 1001-1003, 1005-1129