



SERVICE INFORMATION LETTER
SIL1022 January 9th, 2023 rev 00

Saft battery type A275CH1 P/N 415808
Nut vertically restraining the cells inside the battery box
P/N correction

1. Summary

This service bulletin is a notification from Saft concerning design improvement of the battery A275CH1 Saft (F6177) P/N 415808, regarding the nuts vertically restraining the cells inside the battery box.

2. Applicability

Owners / operators of the Saft battery type A275CH1, Saft (F6177) P/N 415808

Upgrade applicable:

- To new batteries produced by Saft,
- only in the frame of battery maintenance (scheduled or unscheduled).

No obligation to perform this correction for batteries already in operation.

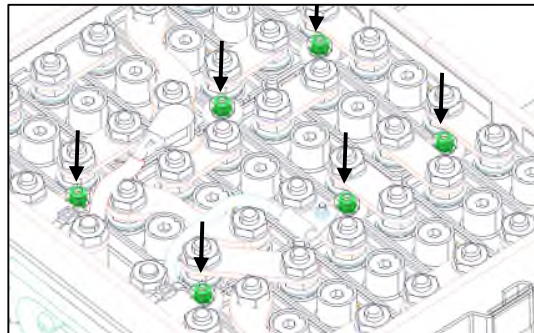
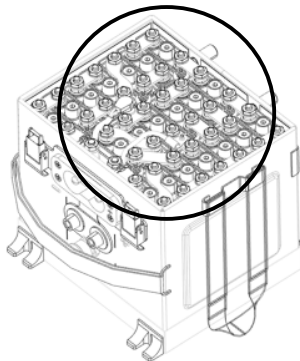
3. Description

NOTE: This improvement does not compromise the interchangeability of the assembly (interchangeability in both ways).

NOTE: Torques applied on the nuts still at 0.7 N.m \pm 0.07 N.m (6 lbf.in \pm 0.6 lbf.in).

NOTE: HFR nuts must be replaced after each and every disassembly.

Replacement of the nuts vertically restraining the cells (identified in green and by arrows below) must be done in the frame work of a general overhaul.



Previous nut definition (before this SIL):

HFR Nut M4 A4-80 Saft (F6177) P/N 217201, according to NFE 25411 or equivalent.
Quantity per battery: 6 each.

New nut definition (after this SIL):

HFR Nut M4 A2-70 (Nylstop self-locking) Saft (F6177) P/N 102288,
according to DIN 985 or equivalent.
Quantity per battery: 6 each.



SERVICE INFORMATION LETTER
SIL1022 January 9th, 2023 rev 00

Copyright ©2023 Saft

This document and all information contained herein are the property of Saft. Its use is restricted solely to the maintenance of Saft batteries and may under no circumstances be used for any other manufacturer's products. No person may, in whole or in part, duplicate, use or disclose this information for any other purpose without the prior written consent of Saft.