

PRATT & WHITNEY CANADA
SERVICE BULLETIN

P&WC S.B. No. 13518R1

BULLETIN INDEX LOCATOR
73-10-01

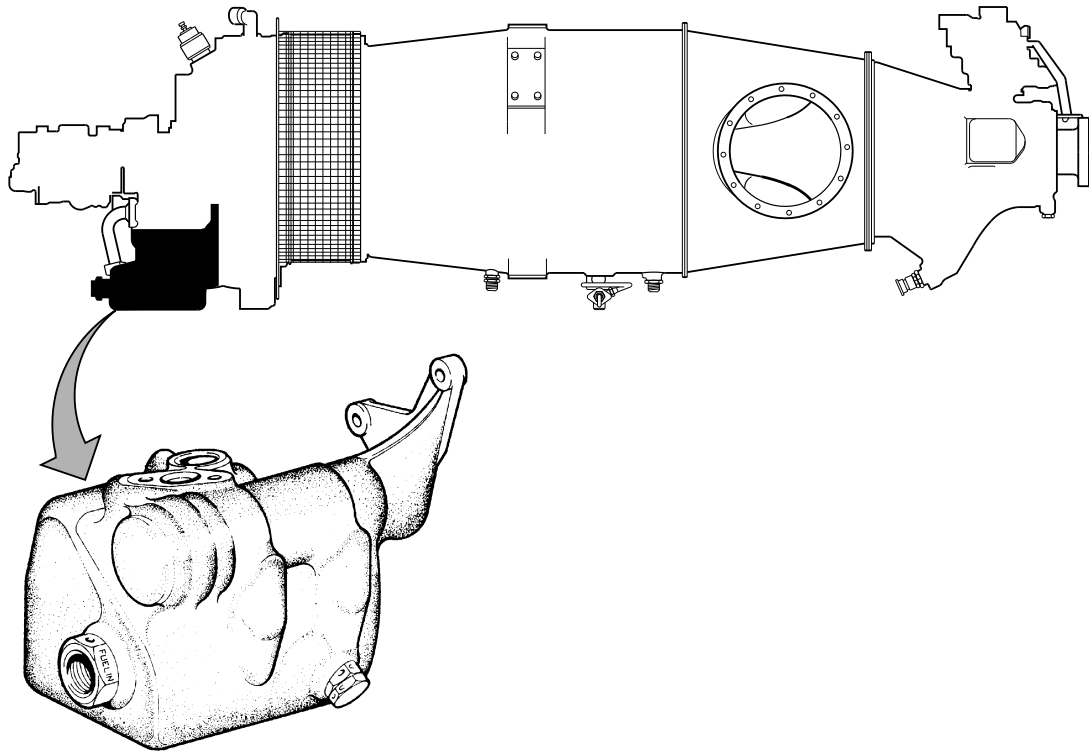
TURBOPROP ENGINE
PARTS KIT - INTRODUCTION OF

MODEL APPLICATION

PT6A-52, PT6A-60A, PT6A-60AG, PT6A-61, PT6A-62, PT6A-65B, PT6A-65R, PT6A-65AG,
PT6A-65AR

Compliance: CATEGORY 9

Summary: Introduction of a part kit for field replacement.



Apr 20/2020
Revision No. 1: Jul 05/2021

PT6A-73-13518
Cover Sheet

| | | |
|---|---|---|
| 24-Hour Global Service CFIRST CENTRE Toll free where available (SIL GEN-027) | USA & CANADA..... 1-800-268-8000 International (IAC*)+8000-268-8000 * International Access Code | Other 1-450-647-8000 Fax 1-450-647-2888 Web Site www.pwc.ca |
|---|---|---|

WARNING - PROPRIETARY RIGHTS & EXPORT CONTROLS NOTICE

This bulletin contains proprietary information of Pratt & Whitney Canada Corp. ("P&WC"), which P&WC provides in confidence and solely for the purposes of supporting engine certification and providing applicable information regarding the proper use, maintenance, inspection, repair, servicing and parts application of P&WC products and services, as directed therein. Neither this bulletin nor any information in it may be disclosed to others, or used for any other purpose, including, without limitation, to design, create, develop, reproduce, manufacture or derive any design, part, product, material, process, modification, configuration change or repair, or obtain FAA or other government approval to do so. Possession and use of this bulletin is also subject to the restrictions set out in P&WC's Technical Data Agreement (a copy of which may be obtained by contacting P&WC Technical Publications). The contents of this bulletin may be subject to export control laws. Unauthorized export or re-export of the bulletin, or parts thereof, is prohibited. By accepting and possessing this bulletin, you agree to be bound by the foregoing terms.

If a Government agency or department intends to disclose any information, written notice should be given to:

VP - Legal Services, Pratt & Whitney Canada Corp., 1000 Marie-Victorin (01BE5), Longueuil, Quebec J4G 1A1.

Pratt & Whitney Canada Corp.
1000, Marie-Victorin
Longueuil, Québec, Canada J4G 1A1
Tél. 450-677-9411



Pratt & Whitney Canada

A United Technologies Company

Jul 05/2021

P&WC S.B. No. 13518R1

REVISION TRANSMITTAL SHEET
TURBOPROP ENGINE MODEL PT6A

SUBJECT: Pratt & Whitney Canada Service Bulletin No. PT6A-73-13518, Rev. No. 1 dated Jul 05/2021 (P&WC S.B. No. 13518R1) PARTS KIT - INTRODUCTION OF

Replace your existing copy of this service bulletin with the attached revised bulletin. Destroy the superseded copy.

Please retain this Revision Transmittal Sheet with the revised bulletin.

SUMMARY:

This revision is issued to:

- add the Illustrated Parts Catalog, Maintenance Manual and Overhaul Manual P/Ns of Engine model PT6A-62 in Para 1.K., References.
- correct the Illustrated Parts Catalog P/N of Engine models PT6A-65B/65R/65AG/65AR in Para 1.L., Publications Affected.

EFFECT OF REVISION ON PRIOR ACCOMPLISHMENT:

None.

REVISION HISTORY:

Original Issue: Apr 20/2020

Revision No. 1: Jul 05/2021

PRATT & WHITNEY CANADA
SERVICE BULLETIN

P&WC S.B. No. 13518R1

TURBOPROP ENGINE
PARTS KIT - INTRODUCTION OF

1. Planning Information

A. Effectivity

PT6A-52 (BS1228, BS1269, BS1270, BS1358, BS1435) Engines.

PT6A-60A (BS613, BS662, BS1024, BS1025, BS1271, BS1272) Engines and PCE-95006 thru PCE-95828.

PT6A-60AG (BS919, BS976, BS1048, BS1049, BS1210, BS1212) Engines.

PT6A-61 (BS618, BS1236, BS1275) Engines and PCE-99001 thru PCE-99142.

PT6A-62 (BS641, BS741, BS833, BS855, BS917, BS938, BS960, BS981, BS982, BS1173, BS1190, BS1320) Engines and PCE-103001 thru PCE-103248.

PT6A-65B (BS595, BS661, BS851, BS1403) Engines and PCE-32001 thru PCE-32644 and all engines converted to Engine Model PT6A-65B (Ref. P&WC engine conversion SB13064).

PT6A-65R (BS578) Engines which include Serial No. PCE-97001 thru PCE-97201, PCE-97406, PCE-97408 and PCE-97424 and all engines converted to Engine Model PT6A-65R (Ref. P&WC engine conversion SB13078 and 13083).

PT6A-65AG (BS708, BS903, BS1101, BS1102) Engines, PCE-32248 thru PCE-32640 and all engines converted to Engine Model PT6A-65AG (Ref. P&WC engine conversion SB13237, 13238, and 13239).

PT6A-65AR (BS652, BS697, BS738) Engines and PCE-97300 thru PCE-97551 (excluding PCE-97406, PCE-97408 and PCE-97424), and all engines converted to Engine Model PT6A-65AR (Ref. P&WC engine conversion SB13098).

B. Concurrent Requirements

None.

C. Reason

To ease procurement, parts kit is introduced.

D. Description

Introduction of new parts kit.

E. Compliance

CATEGORY 9 - Spare Parts Information.

F. Approval

D.O.T./D.A.A . Approved.

G. Manpower

Not applicable.

P&WC No. CO-0008458

Apr 20/2020
Revision No. 1: Jul 05/2021

P&WC Proprietary Information. Subject to the restrictions on the back of the locator
© 2020 Pratt & Whitney Canada Corp.
PRINTED IN CANADA

PT6A-73-13518
Page 1 of 5

PRATT & WHITNEY CANADA
SERVICE BULLETIN

P&WC S.B. No. 13518R1

TURBOPROP ENGINE
PARTS KIT - INTRODUCTION OF

1. Planning Information (Cont'd)

H. Weight and Balance

None.

I. Electrical Load Data

Not applicable.

J. Software Accomplishment Summary

Not applicable.

K. References

Illustrated Parts Catalog P/N [3072864](#) (PT6A-52)

Illustrated Parts Catalog P/N [3034344](#) (PT6A-60A/60AG/61)

Illustrated Parts Catalog P/N [3034544](#) (PT6A-62)

Illustrated Parts Catalog P/N [3032844](#) (PT6A-65B/65R/65AG/65AR)

Maintenance Manual P/N [3072862](#) (PT6A-52)

Maintenance Manual P/N [3034342](#) (PT6A-60A/60AG/61)

Maintenance Manual P/N [3034542](#) (PT6A-62)

Maintenance Manual P/N [3032842](#) (PT6A-65B/65R/65AG/65AR)

Overhaul Manual P/N [3072863](#) (PT6A-52)

Overhaul Manual P/N [3034343](#) (PT6A-60A/60AG/61)

Overhaul Manual P/N [3034543](#) (PT6A-62)

Overhaul Manual P/N [3032843](#) (PT6A-65B/65R/65AG/65AR)

L. Publications Affected

Illustrated Parts Catalog P/N [3072864](#) (PT6A-52)

Illustrated Parts Catalog P/N [3034344](#) (PT6A-60A/60AG/61)

Illustrated Parts Catalog P/N [3034544](#) (PT6A-62)

PRATT & WHITNEY CANADA SERVICE BULLETIN

P&WC S.B. No. 13518R1

TURBOPROP ENGINE PARTS KIT - INTRODUCTION OF

1. Planning Information (Cont'd)

■ Illustrated Parts Catalog P/N [3032844](#) (PT6A-65B/65R/65AG/65AR)

M. Interchangeability and Intermixability of Parts

Interchangeability - Refer to Para. 2.C.

Intermixability - Not changed.

2. Material Information

A. Industry Support Information

Not applicable.

B. Material - Price and Availability

You can get the procurable parts listed in Para. 2.C. from any Pratt & Whitney Canada Parts Distribution Center.

The estimated total cost of new parts needed to replace old parts is \$Quote (US, 2021).

The new parts are available.

C. Material Necessary for Each Engine

The quantity of materials listed in this section is on a per engine basis.

| <u>New P/N</u> | <u>Keyword</u> | <u>Old P/N</u> | <u>Qty</u> | <u>Est. Unit List Price (\$US, 2020)</u> | <u>Instructions Dispositions</u> |
|-------------------------|--|----------------|------------|--|----------------------------------|
| 3136720 | Parts Kit - Fuel Heater Oil Drain Port | | 1 | Quote | (A) |
| AS5169D04L | .Plug - Fitting, Port and Bleeder | | 1 | | (B) |
| M83485-1-904 | .Packing - Preformed | | 1 | | (B) |

(A) Parts Kit introduced.

(B) Component of Part Kit P/N 3136720.

D. Reidentified Parts

None.

PRATT & WHITNEY CANADA
SERVICE BULLETIN

P&WC S.B. No. 13518R1

TURBOPROP ENGINE
PARTS KIT - INTRODUCTION OF

2. Material Information (Cont'd)

E. Tooling - Price and Availability

Not Applicable.

3. Accomplishment Instructions

A. Not Applicable.

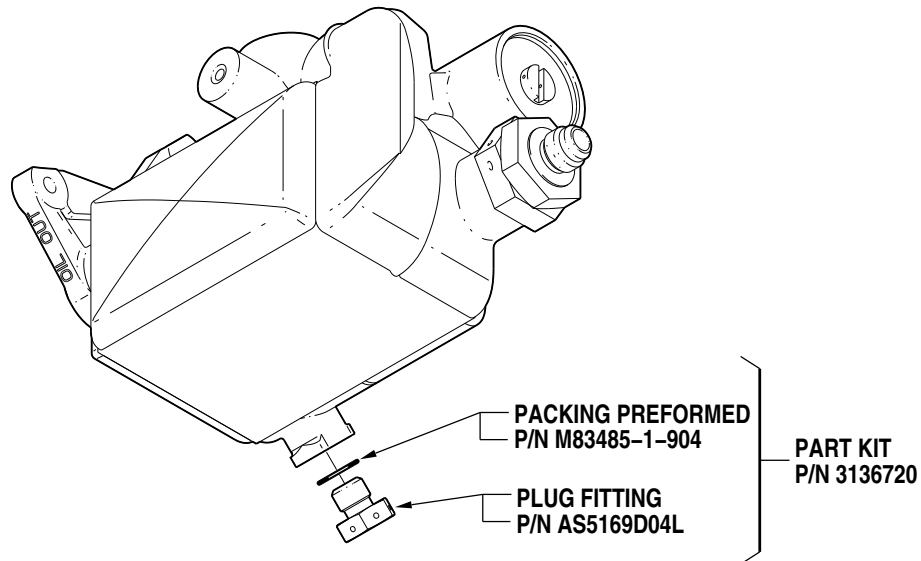
4. Appendix

Not applicable.

PRATT & WHITNEY CANADA
SERVICE BULLETIN

P&WC S.B. No. 13518R1

TURBOPROP ENGINE
PARTS KIT - INTRODUCTION OF



ICN-00198-G000036669-001-01

Fuel Heater Parts Kit
Figure 1

Apr 20/2020
Revision No. 1: Jul 05/2021

P&WC Proprietary Information. Subject to the restrictions on the back of the locator

PT6A-73-13518
Page 5 of 5