

PRATT & WHITNEY CANADA  
**TOOL SERVICE BULLETIN**

NO: PT-1022

**Service Tool:** PWC50897 Rev. D1

**Description:** Crimper - Cup Washer

**Effectivity:** PT6A-11, PT6A-11AG, PT6A-15AG, PT6A-21, PT6A-25, PT6A-25A, PT6A-25C, PT6A-27, PT6A-28, PT6A-34, PT6A-34AG, PT6A-34B, PT6A-35, PT6A-36, PT6A-38, PT6A-41, PT6A-42, PT6A-42A, PT6A-52, PT6A-60A, PT6A-60AG, PT6A-61, PT6A-62, PT6A-64, PT6A-66A, PT6A-66D, PT6A-110, PT6A-112, PT6A-114, PT6A-114A, PT6A-116, PT6A-121, PT6A-135, PT6A-135A, PT6A-140

**Subject:** Tool Modification

**Reason:**

**Problem:** Tool PWC50897 cannot be used on certain engine models such as PT6A-66/PT6A-66B .

**Cause:** Longer Propeller Shaft cannot fit in the tool.

**Solution:** Modify in accordance with revision D1.

WARNING - PROPRIETARY RIGHTS & EXPORT CONTROLS NOTICE

This bulletin contains proprietary information of Pratt & Whitney Canada Corp. ("P&WC"), which P&WC provides in confidence and solely for the purposes of supporting engine certification and providing applicable information regarding the proper use, maintenance, inspection, repair, servicing and parts application of P&WC products and services, as directed therein. Neither this bulletin nor any information in it may be disclosed to others, or used for any other purpose, including, without limitation, to design, create, develop, reproduce, manufacture or derive any design, part, product, material, process, modification, configuration change or repair, or obtain FAA or other government approval to do so. Possession and use of this bulletin is also subject to the restrictions set out in P&WC's Technical Data Agreement (a copy of which may be obtained by contacting P&WC Technical Publications). The contents of this bulletin may be subject to export control laws. Unauthorized export or re-export of the bulletin, or parts thereof, is prohibited. By accepting and possessing this bulletin, you agree to be bound by the foregoing terms.

If a Government agency or department intends to disclose any information, written notice should be given to:  
VP - Legal Services, Pratt & Whitney Canada Corp., 1000 Marie-Victorin (01BE5), Longueuil, Quebec J4G 1A1.

Issued: Oct 10/2023

**PWC50897**  
Page 1 of 6

PRATT & WHITNEY CANADA  
**TOOL SERVICE BULLETIN**

NO: PT-1022

**Instruction:**

1. Make new detail No. 1 (Ref. Fig. 3).
2. Make new detail No. 12 (Ref. Fig. 4).

**Compliance:** Required

**Tool Usage:** Overhaul

**Tool Disposition:** Rework the tool per the accomplishment instructions or you can order new details from Pratt & Whitney Canada accredited suppliers.

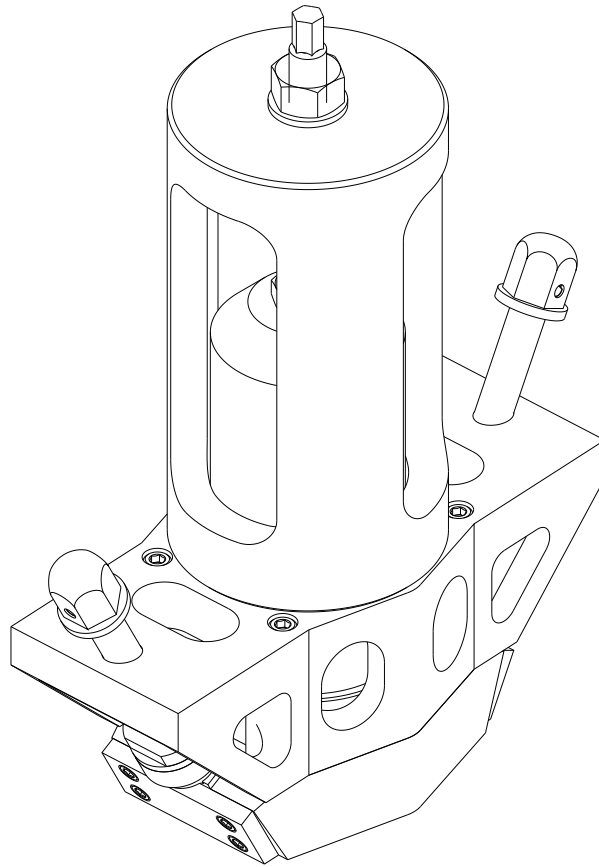
P&WC Proprietary Information. Subject to the restrictions on the first page.

Issued: Oct 10/2023

**PWC50897**  
Page 2 of 6

PRATT & WHITNEY CANADA  
**TOOL SERVICE BULLETIN**

NO: PT-1022



1	2	1	PLUG	AL6061-T6	-	-
1	1	1	ROD	AISI 4140 HRC 26-32	-	-
NO	QTY		PART	MATERIAL	STOCK NO	CAGE NUMBER

ICN-00198-G000129173-001-01

Figure 1

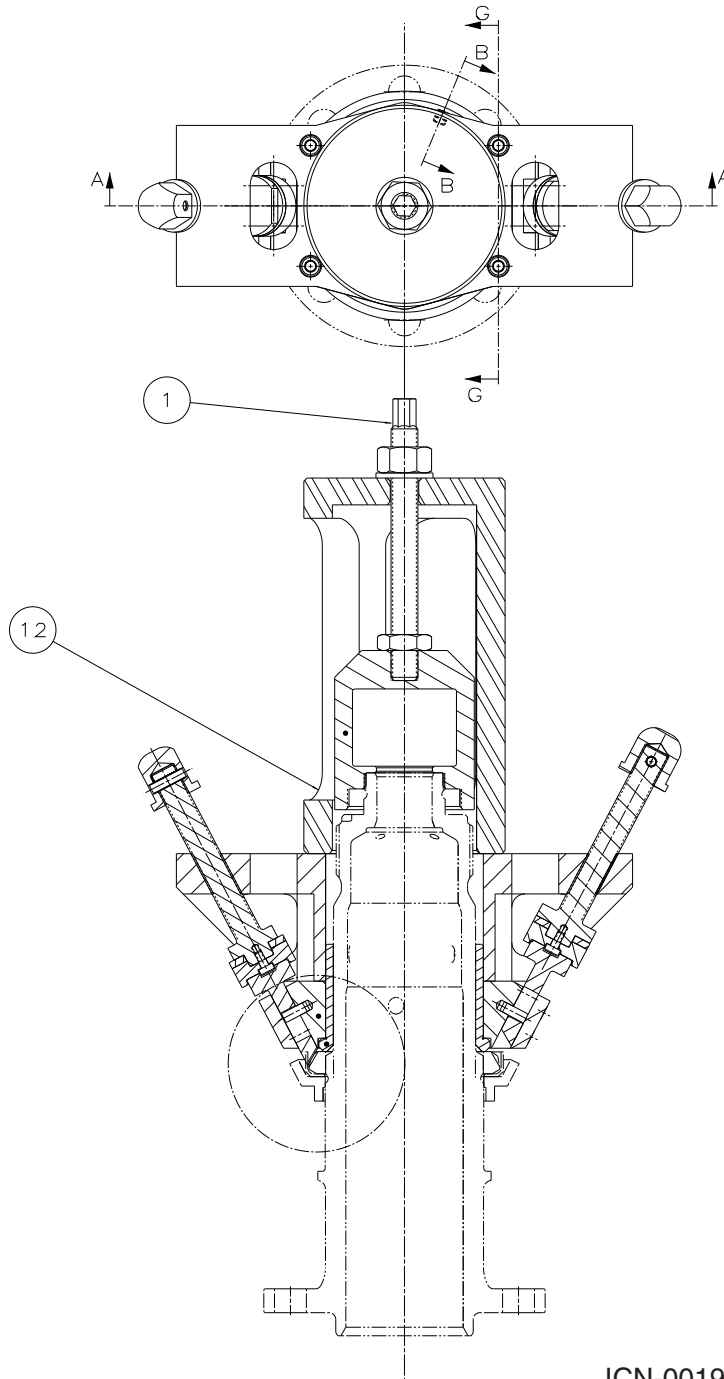
P&WC Proprietary Information. Subject to the restrictions on the first page.

Issued: Oct 10/2023

**PWC50897**  
 Page 3 of 6

# PRATT & WHITNEY CANADA TOOL SERVICE BULLETIN

NO: PT-1022



ICN-00198-G000129174-001-01

Figure 2

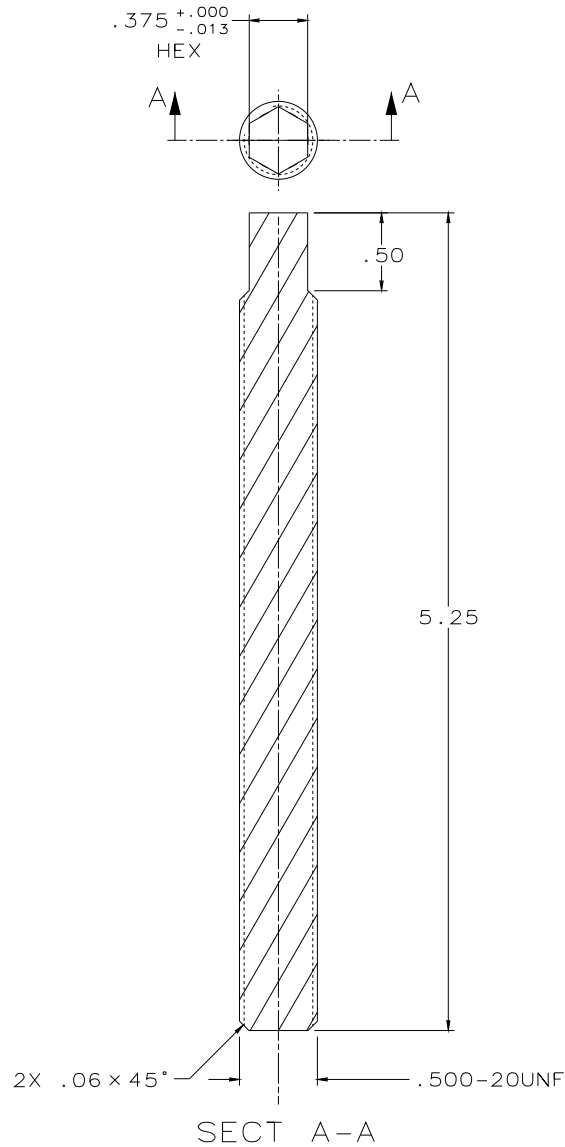
P&WC Proprietary Information. Subject to the restrictions on the first page.

Issued: Oct 10/2023

**PWC50897**  
Page 4 of 6

PRATT & WHITNEY CANADA  
**TOOL SERVICE BULLETIN**

NO: PT-1022



ROD - 1 REQ'D  
AISI 4140 HRC 26-32

ICN-00198-G000129175-001-01

Figure 3

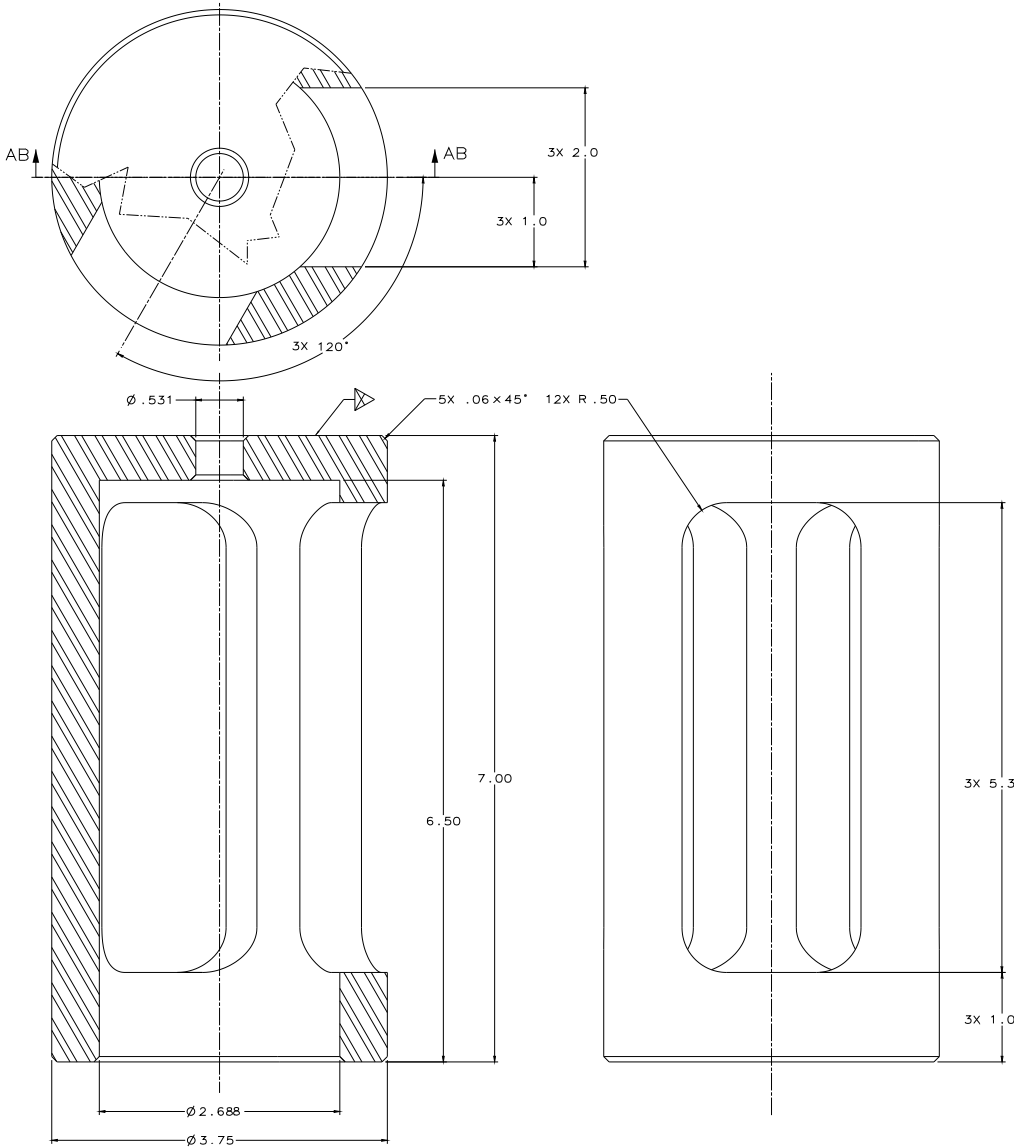
P&WC Proprietary Information. Subject to the restrictions on the first page.

Issued: Oct 10/2023

**PWC50897**  
Page 5 of 6

# PRATT & WHITNEY CANADA TOOL SERVICE BULLETIN

NO: PT-1022



SECT AB-AB

(12) PLUG - 1 REQ'D  
AL6061-T6

ICN-00198-G000129675-001-01

Figure 4

P&WC Proprietary Information. Subject to the restrictions on the first page.

Issued: Oct 10/2023

**PWC50897**  
Page 6 of 6