

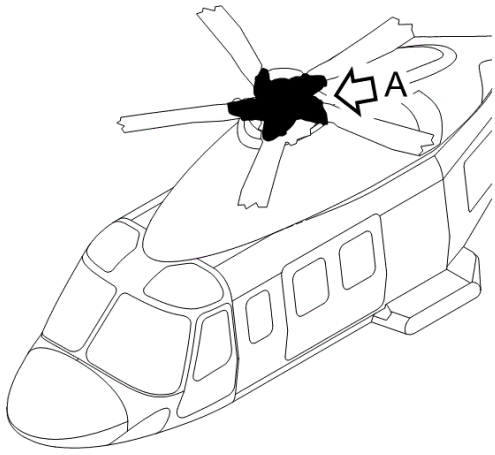
MAIN ROTOR HEAD INSTL - Illustrated Parts Data

FIG	PART NUMBER..... ITEM NSN.....	DESCRIPTION 1 2 3 4 5 6 7 8 9	**UOCA..	I C Y	QNHA UI	SMR...
			MVEFFECT..			
01						
- 0	3G6200A00112	MAIN ROTOR INSTL (NSCM A0126) (Refer to 00-00-03 fig. 01 item 003 for NHA)	** A EN *12K LN *12K SN *12K		REF	XC
- 0	3G6200A00114	MAIN ROTOR INSTL (NSCM A0126) (Refer to 00-00-03 fig. 01 item 003 for NHA)	** B EN *12L		REF	XC
- 0	3G6200A00114	MAIN ROTOR INSTL (NSCM A0126) (Refer to 00-00-03 fig. 01 item 003 for NHA)	** B EP		REF	XC
- 0	3G6200A00115	MAIN ROTOR INSTL (NSCM A0126) (Refer to 00-00-03 fig. 01 item 003 for NHA)	** C EP		REF	XC
1	3G6220A00132	• MAIN ROTOR HEAD ASSY (NSCM A0126) (Refer to 62-22-00 fig. 01 item 000 for BKDN)	** A----- EN *12K LN *12K SN *12K		0001 EA	PAODD
1	3G6220A00134	• MAIN ROTOR HEAD ASSY (NSCM A0126) (Refer to 62-22-00 fig. 01 item 000 for BKDN)	** -BC--- EN *12L EP		0001 EA	PAODD
- 2	DPN00005	• ITEM DELETED (NSCM A0126)	EN EP LN SN		REF	XC
- 3	DPN00005	• ITEM DELETED (NSCM A0126)	EN EP LN SN		REF	XC
- 4	DPN00005	• ITEM DELETED (NSCM A0126)	EN EP LN SN		REF	XC
5	3G6220A06151	• INDEX PIN (NSCM A0126)	EN EP LN SN		0001 EA	PAOZZ
6	MS20002C5	• WASHER, RECESSED (NSCM 96906)	EN EP LN SN		0001 EA	PAOZZ
7	MS21042L5	• NUT, SELF-LOCKING, HEXAGON (NSCM 80205) (To get this item refer to the approved manufacturer list only - Refer to: 39-A-00-00-00-00A-94BA-D)	EN EP LN SN	-3	0001 EA	PAOZZ
7	NAS9926-5L	• NUT, SELF-LOCKING, HEXAGON (NSCM 80205)	EN EP LN SN	5-	0001	PAOZZ
8	3G6220A06251	• CLOSURE FLANGE (NSCM A0126)	** A----- EN *12K LN *12K SN *12K	-1	0001 EA	PAOZZ
8	3G6220A06252	• CLOSURE FLANGE (NSCM A0126)	** A----- EN *12K LN *12K SN *12K	21	0001 EA	PAOZZ
8	3G6220A06253	• CLOSURE FLANGE (NSCM A0126)	** A----- EN *12K LN *12K SN *12K	21	0001 EA	PAOZZ

8	3G6206P00951	• CLOSURE FLANGE - REWORK (NSCM A0126)	** A----- EN *12K LN *12K SN *12K	21	0001 EA	PAOZZ
8	3G6206P00952	• CLOSURE FLANGE - REWORK (NSCM A0126)	** A----- EN *12K LN *12K SN *12K	21	0001 EA	PAOZZ
8	3G6220A06254	• CLOSURE FLANGE (NSCM A0126)	** A----- EN *12K LN *12K SN *12K	2-	0001 EA	PAOZZ
8	3G6220A06254	• CLOSURE FLANGE (NSCM A0126) (Refer to 30-00-00 fig. 02 item 008)	EN EP LN SN		REF EA	PAOZZ
8	3G6206P00952	• CLOSURE FLANGE - REWORK (NSCM A0126)	** -B---- EN *12L EP	-1	0001 EA	PAOZZ
8	3G6220A06254	• CLOSURE FLANGE (NSCM A0126)	** -B---- EN *12L EP	2-	0001 EA	PAOZZ
8	3G6220A06254	• CLOSURE FLANGE (NSCM A0126)	** --C--- EP		0001 EA	PAOZZ
9	NAS6605H6	* BOLT,CLOSE TOLERANCE (NSCM 80205)	EN EP LN SN	-3	0004 EA	PAOZZ
9	AW011TB05-BH06	* BOLT,MACHINE (NSCM A0126)	EN EP LN SN	5-	0004 EA	PAOZZ
9	NAS6605H6	* BOLT,CLOSE TOLERANCE (NSCM 80205) (Refer to 30-00-00 fig. 02 item 009)	EN EP LN SN	-3	REF EA	PAOZZ
9	AW011TB05-BH06	* BOLT,MACHINE (NSCM A0126) (Refer to 30-00-00 fig. 02 item 009)	EN EP LN SN	5-	REF EA	PAOZZ
10	NAS1149C0532R	* WASHER,FLAT (NSCM 80205)	EN EP LN SN		0004 EA	PAOZZ
11	MS29561-247	• O-RING (NSCM 96906)	EN EP LN SN		0001 EA	PCOZZ
11	MS29561-247	• O-RING (NSCM 96906) (Refer to 30-00-00 fig. 02 item 010)	EN EP LN SN		REF EA	PCOZZ
12	3G6220A02451	• BOLT (NSCM A0126)	** AB---- EN EP LN SN		0012 EA	PAOZZ
12	3G6220L00851	• BOLT (NSCM A0126)	** --C--- EP		0012 EA	PAOZZ
13	NAS509-8	• NUT,PLAIN,HEXAGON (NSCM 80205)	** AB---- EN EP LN SN		0012 EA	PAOZZ
13	3G6220A11751	• NUT (NSCM A0126)	** --C--- EP		0012 EA	PAOZZ
14	3G6220A02332	• RING (NSCM A0126)	** A----- EN *12K LN *12K SN *12K	-1	0001 EA	PAOZZ

14	3G6220A02333	• RING (NSCM A0126)	** A----- EN *12K LN *12K SN *12K	21	0001 EA	PAOZZ
14	3G6206P00831	• RING (NSCM A0126)	** A----- EN *12K LN *12K SN *12K	24	0001 EA	PAOZZ
14	4G6220A01631	• RETAINING ELEMENT ASSY (NSCM A0126)	** A----- EN *12K LN *12K SN *12K	4-	0001 EA	PAOZZ
14	3G6220A02333	• RING (NSCM A0126)	** -B----- EN *12L EP	-1	0001 EA	PAOZZ
14	3G6206P00831	• RING (NSCM A0126)	** -B----- EN *12L EP	24	0001 EA	PAOZZ
14	4G6220A01631	• RETAINING ELEMENT ASSY (NSCM A0126)	** -B----- EN *12L EP	4-	0001 EA	PAOZZ
14	3G6220A02334	• RETAINING ELEMENT ASSY (NSCM A0126)	** --C----- EP		0001 EA	PAOZZ
15	3G6220A02251	• NUT (NSCM A0126)	** AB----- EN EP LN SN		0001 EA	PAOZZ
15	3G6220A02252	• NUT (NSCM A0126)	** --C----- EP		0001 EA	PAOZZ
16	3G6220A02151	• WASHER (NSCM A0126)	** AB----- EN EP LN SN		0001 EA	PAOZZ
16	3G6220A02152	• WASHER (NSCM A0126)	** --C----- EP		0001 EA	PAOZZ
17	3G6220A02051	• TOP CONICAL RING (NSCM A0126)	** A----- EN *12K LN *12K SN *12K	-1	0001 EA	PAOZZ
17	3G6206P01251	• CONICAL RING UPPER - REWORK (NSCM A0126)	** A----- EN *12K LN *12K SN *12K	21	0001 EA	PAOZZ
17	3G6220A02052	• TOP CONICAL RING (NSCM A0126)	** A----- EN *12K LN *12K SN *12K	2-	0001 EA	PAOZZ
17	3G6220A02051	• TOP CONICAL RING (NSCM A0126)	** -B----- EN *12L EP	-1	0001 EA	PAOZZ
17	3G6206P01251	• CONICAL RING UPPER - REWORK (NSCM A0126)	** -B----- EN *12L EP	21	0001 EA	PAOZZ
17	3G6220A02052	• TOP CONICAL RING (NSCM A0126)	** -B----- EN *12L EP	2-	0001 EA	PAOZZ
17	3G6220A02052	• TOP CONICAL RING (NSCM A0126)	** --C----- EP		0001 EA	PAOZZ
18	3G6230A05351	• BOLT (NSCM A0126)	** A----- EN *12K LN *12K SN *12K	-1	0005 EA	PAOZZ
18	3G6230L00751	• BOLT (NSCM A0126)	** A----- EN *12K LN *12K SN *12K	2-	0005 EA	PAOZZ
18	3G6230L00751	• BOLT (NSCM A0126)	** -BC--- EN *12L EP		0005 EA	PAOZZ
19	MS20002C9	• WASHER, RECESSED (NSCM 96906)	EN EP LN SN		0005 EA	PAOZZ

19A	MS20002-9	• WASHER,FLAT (NSCM 80205)	EN EP LN SN		0005 EA	PAOZZ
20	MS17825-9	• NUT,SELF-LOCKING,CASTELLATED (NSCM 96906)	EN EP LN SN		0005 EA	PAOZZ
21	MS24665-370	• PIN,COTTER (NSCM 80205)	EN EP LN SN		0005 EA	PAOZZ
22	3G6230A05051	• BOLT (NSCM A0126)	** A----- EN *12K LN *12K SN *12K	-1	0002 EA	PAOZZ
22	3G6230L00251	• BOLT (NSCM A0126) (PRE-MOD SB139-341)	** A----- EN *12K LN *12K SN *12K	23	0002 EA	PAOZZ
22	3G6230L00252	• BOLT (NSCM A0126) (POST-MOD SB139-341)	** A----- EN *12K LN *12K SN *12K	5-	0002 EA	PAOZZ
22	3G6230L00252	• BOLT (NSCM A0126)	** -BC--- EN *12L EP		0002 EA	PAOZZ
23	NAS1149C0863R	• WASHER,FLAT (NSCM 80205)	** A----- EN *12K LN *12K SN *12K		0002 EA	PAOZZ
23	3G6230A06451	• WASHER,ROTATING SCISSORS (NSCM A0126)	** -BC--- EN *12L EP		0004 EA	PAOZZ
24	3G6230A03752	• SLEEVE (NSCM A0126)	** A----- EN *12K LN *12K SN *12K		0002 EA	PAOZZ
24	3G6230L01251	• COUPLING,SCISSORS (NSCM A0126) (CONTROL SPECIFICATION FOR PN KJB728112 VENDOR 50632)	** -BC--- EN *12L EP		0004 EA	PAOZZ
25	999-0066-49-126	• WASHER,FLAT (NSCM A0126)	** A----- EN *12K LN *12K SN *12K	-1	0002 EA	PAOZZ
25	AW014TZ-49-126	• WASHER,FLAT (NSCM A0126)	** A----- EN *12K LN *12K SN *12K	2-	0002 EA	PAOZZ
26	MS17825-8	• NUT,SELF-LOCKING,SLOTTED (NSCM 96906)	** A----- EN *12K LN *12K SN *12K		0002 EA	PAOZZ
26	MS17825-12	• NUT,SLF-LKNG CASTELLATED,HEX (NSCM 96906)	** -BC--- EN *12L EP		0002 EA	PAOZZ
27	MS24665-285	• PIN,COTTER (NSCM 96906)	** A----- EN *12K LN *12K SN *12K		0002 EA	PAOZZ
27	MS24665-374	• PIN,COTTER (NSCM 96906)	** -BC--- EN *12L EP		0002 EA	PAOZZ



A

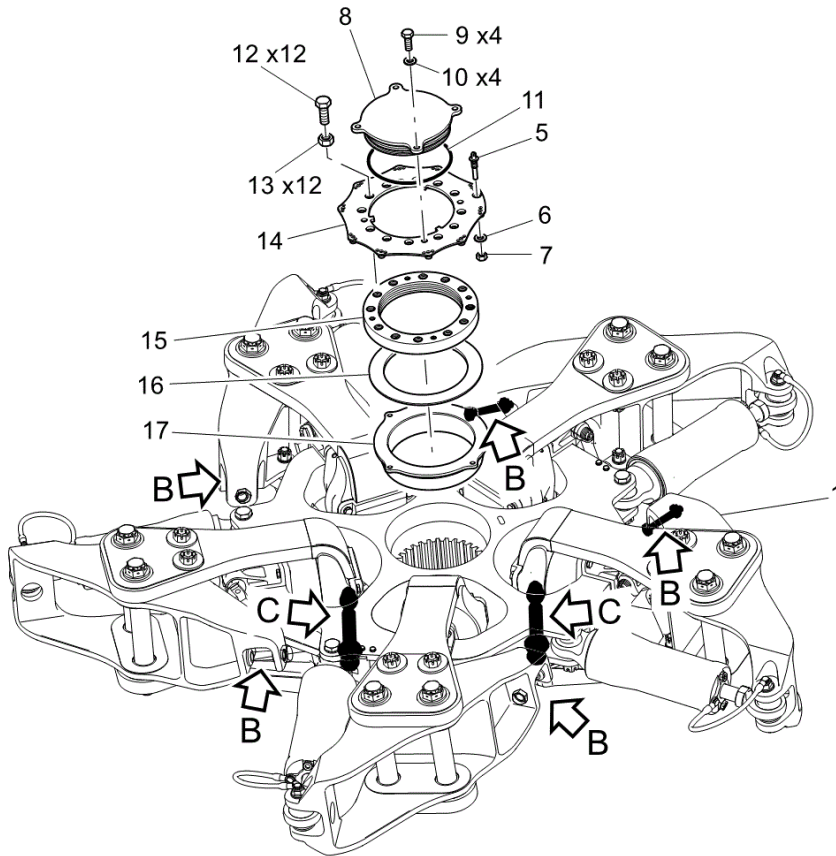


FIGURE 01 MAIN ROTOR HEAD INSTL (SHEET 1 OF 2)

ICN-39-A-622100-G-00001-00476-A-003-01

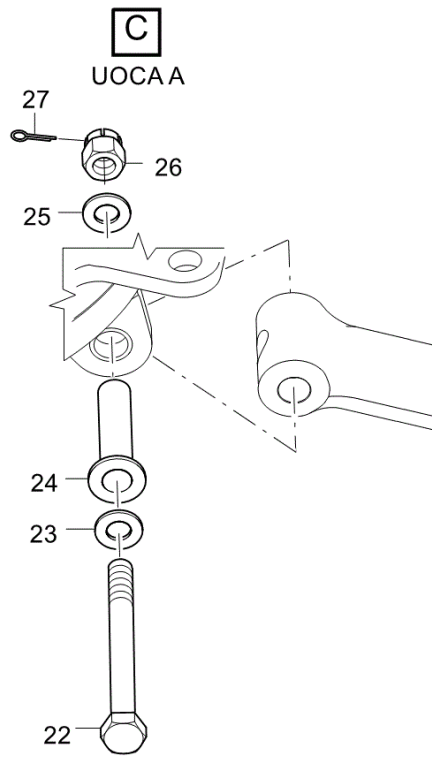
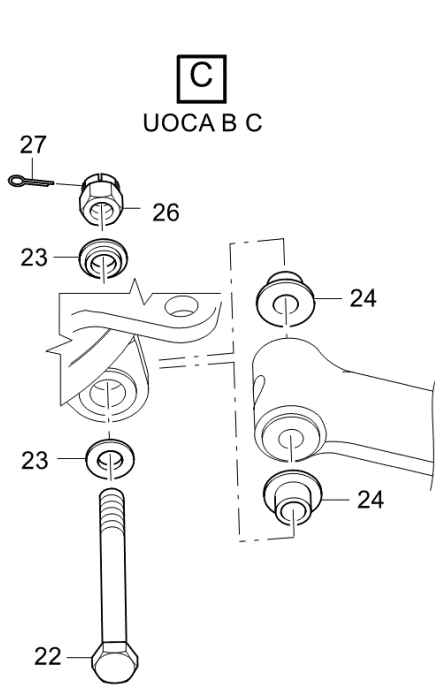
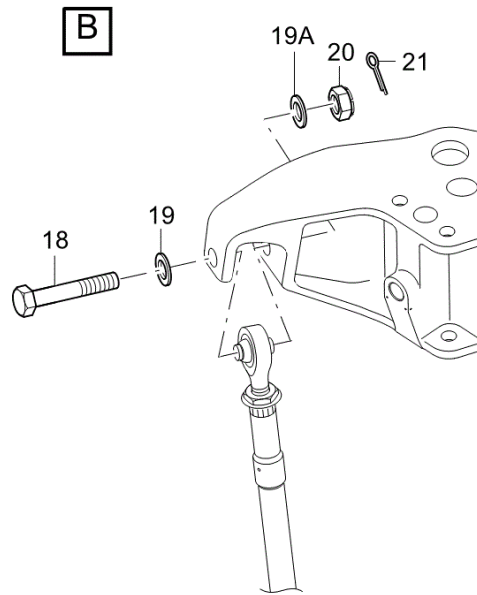


FIGURE 01 MAIN ROTOR HEAD INSTL (SHEET 2 OF 2)

ICN-39-A-622100-G-00001-00495-A-004-01

Document Status and Identification

Document Code: 39-A-62-21-00-010-941A-A
Document Title: MAIN ROTOR HEAD INSTL - Illustrated Parts Data
Issue Number: 037
Issue Date: 2023-05-26
RFU: Changed - Technical change
QA: tabtop
Effectivity: ENH - PLUS - LN - SN