



CT7-2E INCREMENTAL CHANGE

Release Notification Date: 02/15/2022

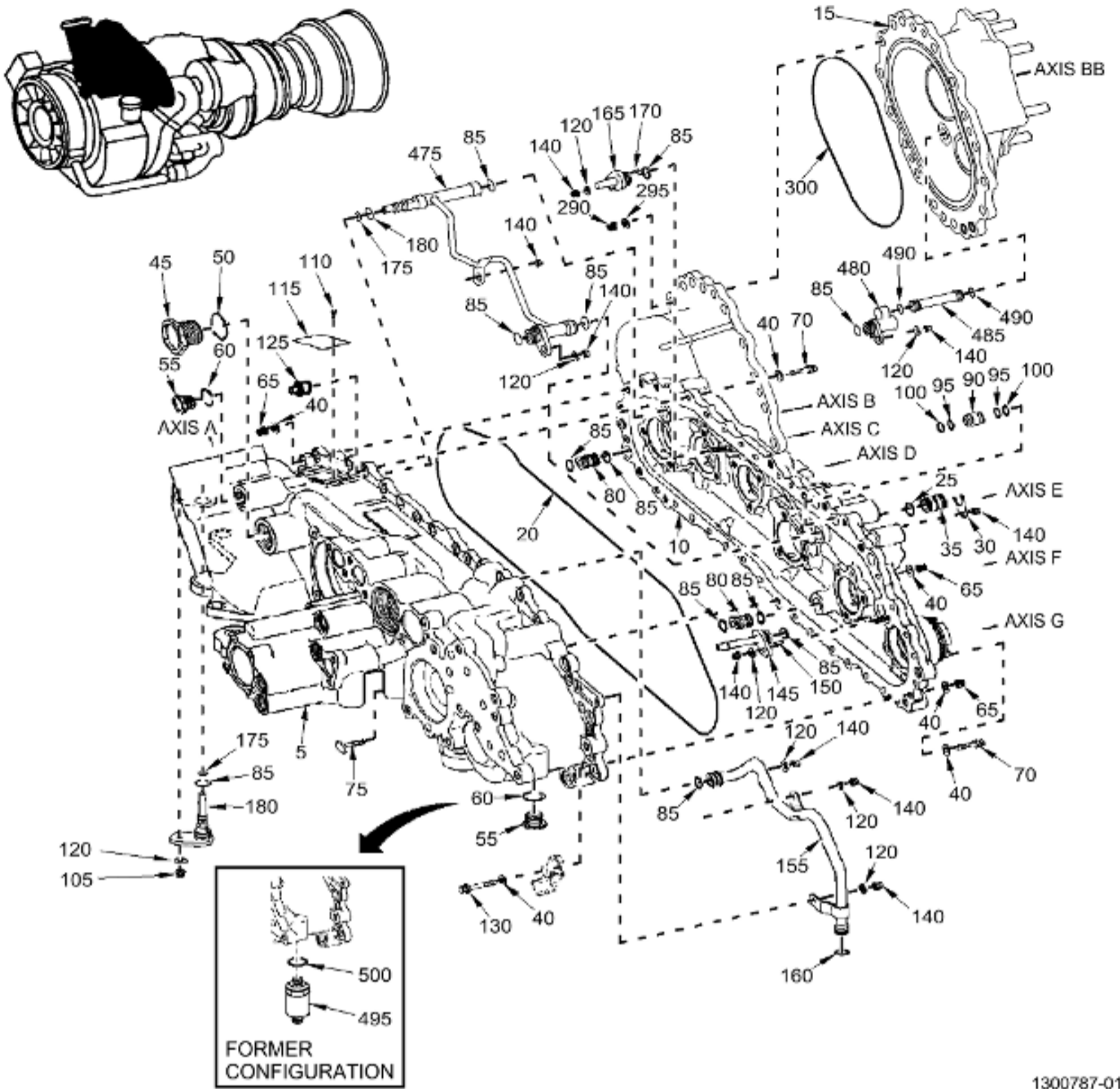
IPC 72-61-00 FIG. 01 GEARBOX ASSY-ACCESSORY DRIVE

**GE Designated: -CONFIDENTIAL-**

The information contained in this document is GE proprietary information and is disclosed in confidence. It is the property of GE and shall not be used, disclosed to others or reproduced without the express written consent of GE, including, but without limitation, it is not to be used in the creation, manufacture, development, or derivation of any repairs, modifications, spare parts, designs, or configuration changes or to obtain FAA or any other government or regulatory approval to do so. If consent is given for reproduction in whole or in part, this notice and the notice set forth on each page of this document shall appear in any such reproduction in whole or part.

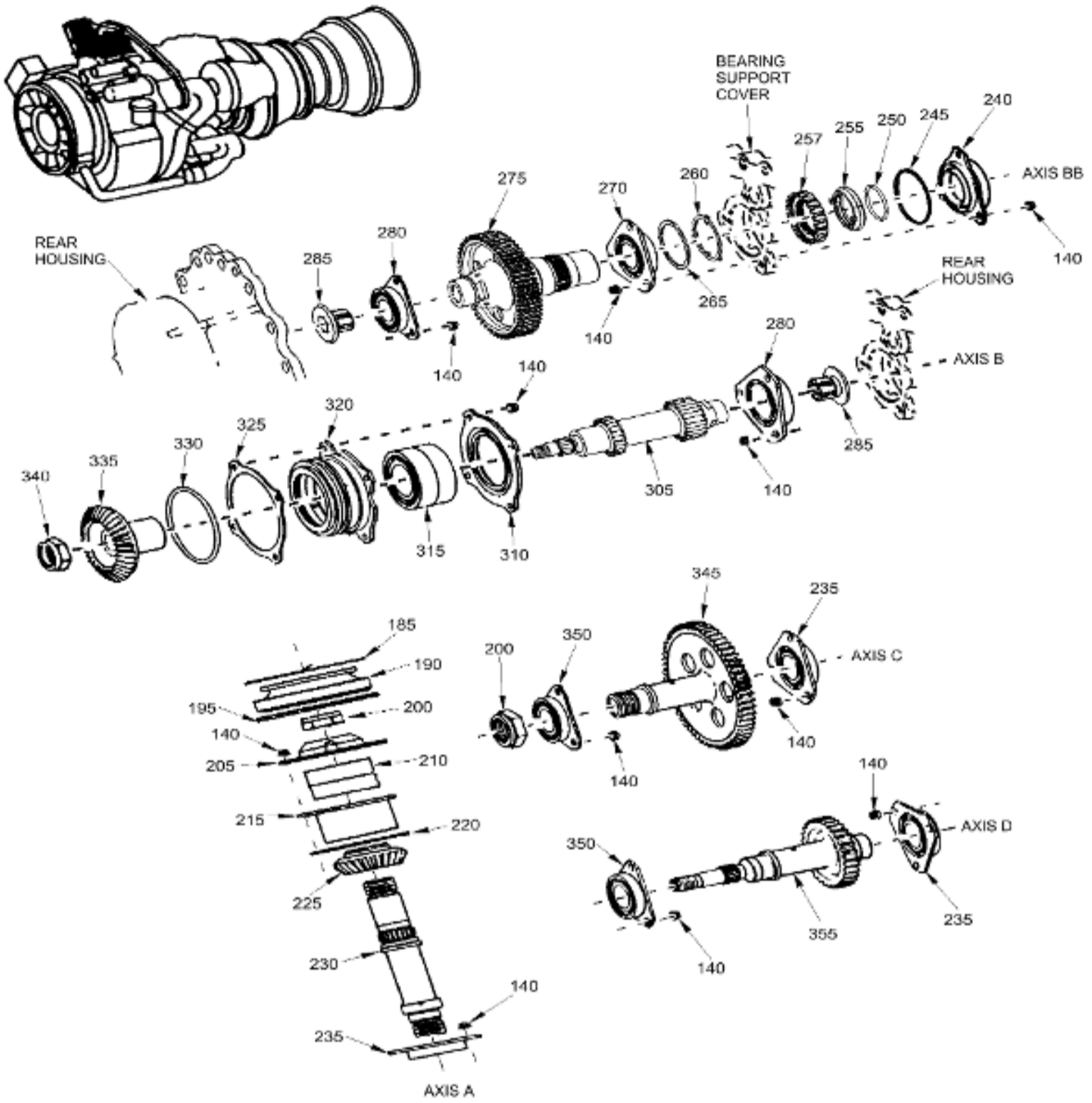
This technical data is considered subject to the Export Administration Regulations (EAR) pursuant to 15 CFR Parts 730-774. Transfer of this data by any means to a Non-U.S. Person, whether in the United States or abroad, without the proper U.S. Government authorization (e.g., License, exemption, NLR, etc.), is strictly prohibited.

Copyright (2022) General Electric Company, U.S.A.



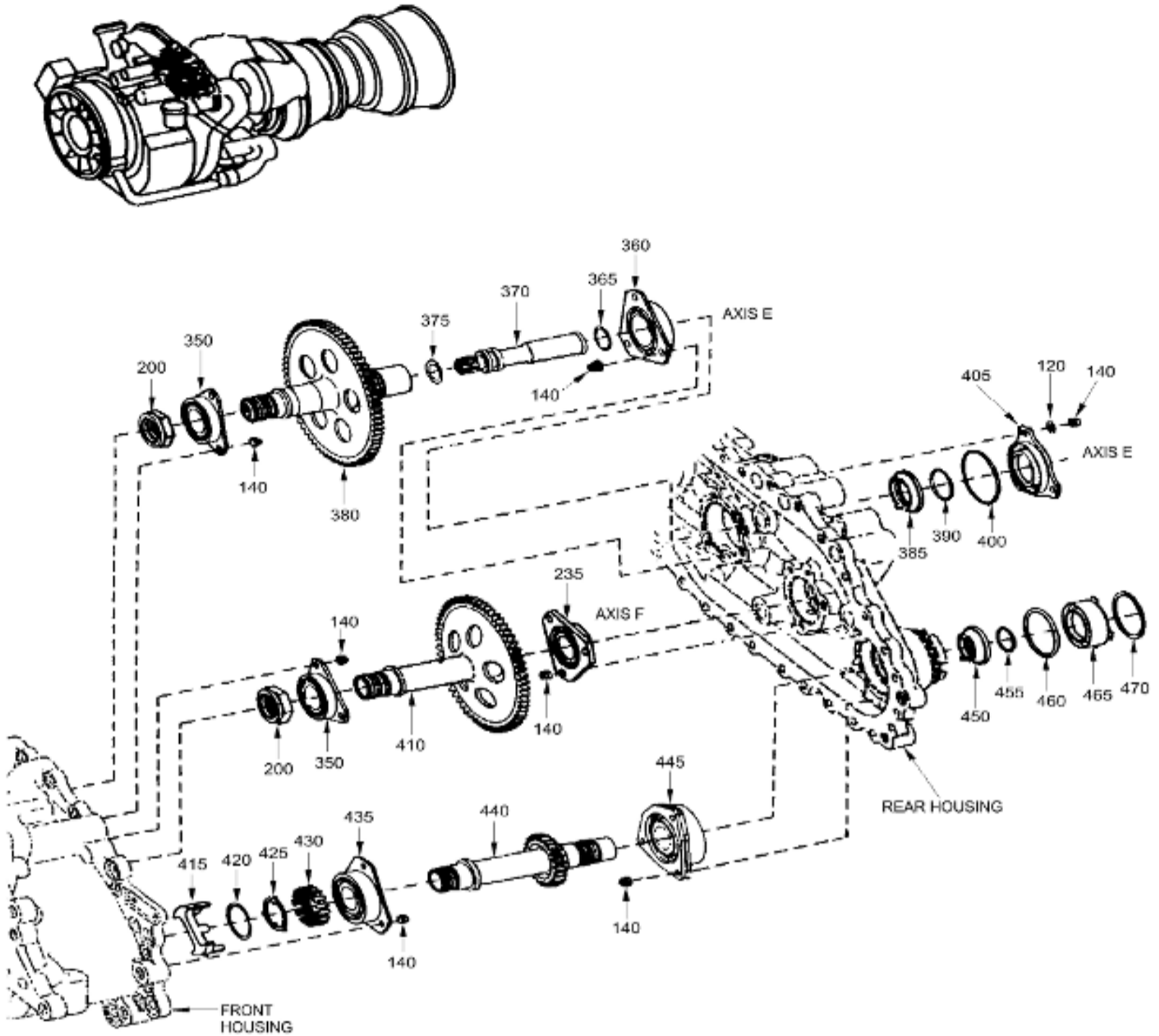
1300787-01

GEARBOX ASSY-ACCESSORY DRIVE  
 Figure 01 (Sheet 1)



1300788-02

GEARBOX ASSY-ACCESSORY DRIVE  
 Figure 01 (Sheet 2)



1300789-00

GEARBOX ASSY-ACCESSORY DRIVE  
 Figure 01 (Sheet 3)

ITEM	PART NUMBER	NOMENCLATURE					USAGE CODE	UNITS PER ASSY
		1	2	3	4	5		
-001	NHA	GEARBOX ASSY-ACCESSORY DRIVE SIN 29A00 SEE 72-60-00-01-280 FOR NHA						RF
005	6038T69G07	. HOUSING-FRONT SIN 29A00 2 SEE 72-61-01-01 FOR DET						1
010	6044T12G08	. HOUSING-REAR SIN 29A00 3 SEE 72-61-02-01 FOR DET						1
015	6044T03G08	. COVER-BEARING SUPPORT SIN 29A00 29 SEE 72-61-02-01 FOR DET						1
020	3019T29P24	. PACKING-PREFORMED SIN 29A00 64						1
025	J228P013	. PACKING-PREFORMED SIN 29A00 65						1
030	3031T89P01	. RETAINER-FUEL CONNECTOR						1

		SIN 29A00 47	
035	3031T93P01	. CONNECTOR-FUEL SIN 29A00 46	1
040	AN960C10L	. WASHER-FLAT SIN 29A00 83	57
045	AN814-12DL	. PLUG & BLEEDER SIN 29A00 54	1
050	J221P912	. PACKING-PREFORMED SIN 29A00 55	1
055	AN814-4DL	. PLUG & BLEEDER SIN 29A00 67	2
060	J221P904	. PACKING-PREFORMED SIN 29A00 30	2
065	4046T32P01	. NUT-LOCK SIN 29A00 78	37
-065A	4046T32P02	. NUT-LOCK SIN 29A00 78	ALT
-065B	4046T32P03	. NUT-LOCK SIN 29A00 78	ALT
-065C	4046T32P04	. NUT-LOCK SIN 29A00 78 POST SB 72-0026	ALT
070	J643P10A	. BOLT-MACHINE SIN 29A00 77	16
075	3031T85P01	. BOLT-DEE HEAD SIN 29A00 76	6
080	3031T87P01	. CONNECTOR-LUBE SIN 29A00 48	3
085	J221P012	. PACKING-PREFORMED SIN 29A00 109	15
090	4088T14P01	. CONNECTOR-FUEL SIN 29A00 110	3
095	MS28774-012	. RING-BACK UP (RETAINER) SIN 29A00 111	6
100	J228P012	. PACKING-PREFORMED SIN 29A00 60	6
105	R1181P002C	. NUT-SELF-LOCKING SIN 29A00 86 REPL BY R1181P002	1
-105A	R1181P002	. NUT-SELF-LOCKING SIN 29A00 86 POST SB 72-0026	1
110	AS3568-01	. SCREW-DRIVE SIN 29A00 37	2
115	4181T36P01	. PLATE-ACCESSORY DRIVE GEARBOX IDENTIFICATION SIN 29A00 20	1
120	AN960C8	. WASHER-FLAT SIN 29A00 82	13
125	4183T00P01	. STUD NUT SIN 29A00 118 REPL BY 4181T22P01	2
-125A	4183T00P03	. STUD NUT SIN 29A00 118 DEL BY SB 72-0012	ALT
-125B	4181T22P01	. STUD NUT SIN 29A00 118 POST SB 72-0012	2
130	J643P14A	. BOLT-MACHINE SIN 29A00 81	2
140	R1186P002C	. NUT-SELF-LOCKING SIN 29A00 79 REPL BY R1186P002	63
-140A	R1186P002	. NUT-SELF-LOCKING SIN 29A00 79 POST SB 72-0026	63
145	4045T83G01	. NOZZLE-LUBRICATION SIN 29A00 45	1
150	MS171492	. . PIN-SPRING SIN 29A00 45 3	1
155	4068T06G01	. TUBE-SCAVENGE SIN 29A00 87	1
160	J221P011	. PACKING-PREFORMED SIN 29A00 88	1
165	4041T41G01	. NOZZLE-LUBRICATION	1

		SIN 29A00 43		
170	MS171492	. . PIN-SPRING SIN 29A00 43 3		1
175	J221P009	. PACKING-PREFORMED SIN 29A00 53		2
180	5057T01G01	. NOZZLE-LUBRICATION SIN 29A00 41		1
185	3032T58P01	. RING-RETAINING SIN 29A00 66		1
190	3033T78G02	. COVER-ACCESS SIN 29A00 39		1
195	J221P150	. PACKING-PREFORMED SIN 29A00 62		1
200	4040T43P02	. NUT-LOCK SIN 29A00 74		4
-200A	4040T43P01	. NUT-LOCK SIN 29A00 74		ALT
-200B	4040T43P03	. NUT-LOCK SIN 29A00 74		ALT
205	5051T36P01	. RETAINER-BEARING SIN 29A00 26		1
-205A	4042T92P01	. RETAINER-BEARING SIN 29A00 26		ALT
210	4040T20P01	. BEARING-BALL SIN 29A00 15		1
-210A	4040T20P03	. BEARING-BALL SIN 29A00 15		ALT
215	4069T23P01	. HOUSING-BEARING SIN 29A00 23		1
-215A	4040T93P01	. HOUSING-BEARING SIN 29A00 23		ALT
220	4041T20P01	. SHIM-BEARING HOUSING SIN 29A00 50		1
225	5034T79P01	. PINION-BEVEL SIN 29A00 4 AXIS A		1
230	5034T77P01	. SHAFT-SHOULDERED SIN 29A00 5 AXIS A		1
235	5057T58P02	. BEARING-ROLLER SIN 29A00 17		4
-235A	5057T58P03	. BEARING-ROLLER SIN 29A00 17		ALT
240	5078T36P01	. SEAL-AXIS SIN 29A00 34 REPL BY 5183T83P02		1
-240A	5183T83P02	. SEAL-PLAIN ENCASED AXIS BB SIN 29A00 34 POST SB 72-0003 REPL 5078T36P01		1
245	J221P035	. PACKING-PREFORMED SIN 29A00 96		1
250	4088T39P08	. PACKING-PREFORMED SIN 29A00 95		1
255	4068T97P01	. RING-SEAL SIN 29A00 33 REPL BY 5183T84P01		1
-255A	4068T97P02	. RING-SEAL SIN 29A00 33 DEL BY SB 72-0003		ALT
-255B	5183T84P01	. RING-SEAL SIN 29A00 33 POST SB 72-0003 REPLS 4068T97P01		1
257	5015T07P08	. NUT-PLAIN SIN 29A00 93		1
260	4018T81P07	. WASHER-KEY SIN 29A00 92		1
265	705B155P58	. RING-RETAINING SIN 29A00 91		1
-265A	M27426-3143C	. RING-RETAINING SIN 29A00 91		ALT
270	5051T14P03	. BEARING-BALL SIN 29A00 90		1

275	5165T73P01	. GEAR-SPUR SIN 29A00 8 AXIS BB	1
280	5057T59P03	. BEARING-ROLLER SIN 29A00 89 SUPSD BY 5051T13P03	2
-280A	5051T13P03	. BEARING-ROLLER SIN 29A00 89 POST SB 72-0016 POST SB 72-0019	2
285	4068T95P01	. SCREW-SELF-LOCKING SIN 29A00 49	2
290	R1186P004C	. NUT-SELF LOCKING SIN 29A00 98 REPL BY R1186P004	16
-290A	R1186P004B	. NUT-SELF LOCKING SIN 29A00 98	ALT
-290B	R1186P004D	. NUT-SELF LOCKING SIN 29A00 98	ALT
-290C	R1186P004	. NUT-SELF LOCKING SIN 29A00 98 POST SB 72-0026	16
295	AN960C416L	. WASHER-FLAT SIN 29A00 104	16
300	3019T29P02	. PACKING-PREFORMED SIN 29A00 97	1
305	5165T65P01	. GEARSHAFT SIN 29A00 7 AXIS B	1
310	4069T18P01	. RETAINER-BEARING SIN 29A00 27	1
-310A	4040T88P01	. RETAINER-BEARING SIN 29A00 27	ALT
315	4040T21P01	. BEARING-BALL SIN 29A00 16	1
-315A	4040T21P03	. BEARING-BALL SIN 29A00 16	ALT
320	5051T37P02	. HOUSING-BEARING SIN 29A00 24	1
-320A	4040T85P02	. HOUSING-BEARING SIN 29A00 24	ALT
325	3031T88P01	. SHIM-BEARING HOUSING SIN 29A00 51	1
330	J221P140	. PACKING-PREFORMED SIN 29A00 61	1
335	6032T81P01	. GEAR-BEVEL SIN 29A00 6 AXIS B	1
340	4040T78P01	. NUT-LOCK SIN 29A00 75	1
-340A	4040T78P02	. NUT-LOCK SIN 29A00 75	ALT
345	5036T84P04	. GEAR-SPUR SIN 29A00 9 AXIS C	1
350	5034T19P02	. BEARING-BALL SIN 29A00 21	4
-350A	5034T19P03	. BEARING-BALL SIN 29A00 21	ALT
355	5034T69P03	. GEAR-SPUR SIN 29A00 10 AXIS D	1
360	5057T59P01	. BEARING-ROLLER SIN 29A00 18	1
-360A	5057T59P03	. BEARING-ROLLER SIN 29A00 18	ALT
365	J204P0071	. RING-RETAINING SIN 29A00 69	1
370	5034T80P01	. SHAFT-SHOULDER SIN 29A00 12 AXIS E	1
375	J221P112	. PACKING-PREFORMED SIN 29A00 59	1
380	5034T78P04	. GEAR-SPUR	1

		SIN 29A00 11 AXIS E		
385	4041T18P02	. RING-MATING SIN 29A00 35		1
390	J221P020	. PACKING-PREFORMED SIN 29A00 56		1
400	J221P030	. PACKING-PREFORMED SIN 29A00 57		1
405	5034T68P01	. SEAL-FLANGED SIN 29A00 31		1
-405A	5034T68P04	. SEAL-FLANGED SIN 29A00 31		ALT
410	5034T75P04	. GEAR-SPUR SIN 29A00 13 AXIS F		1
415	4045T84G01	. DUCT-OIL SIN 29A00 38		1
420	J204P0109	. RING-RETAINING SIN 29A00 84		1
425	4045T78P01	. WASHER-KEY SIN 29A00 80		1
430	4045T81P01	. NUT-LOCK SIN 29A00 52		1
435	5034T51P01	. BEARING-BALL SIN 29A00 22		1
-435A	5034T51P02	. BEARING-BALL SIN 29A00 22		ALT
440	6034T39G04	. GEAR-SPUR SIN 29A00 14 AXIS G		1
445	5057T06P01	. BEARING-ROLLER SIN 29A00 19		1
-445A	5057T06P03	. BEARING-ROLLER SIN 29A00 19		ALT
450	4045T77P02	. RING-MATING SIN 29A00 36		1
455	J221P017	. PACKING-PREFORMED SIN 29A00 58		1
460	J221P952	. PACKING-PREFORMED SIN 29A00 63		1
465	4188T67P01	. SEAL-PLAIN SIN 29A00 32		1
470	J204P0143	. RING-RETAINING SIN 29A00 68		1
475	6080T35G02	. TUBE-ASSY AGB/A SIN 29A00 113		1
480	5078T17G01	. NOZZLE-OIL SIN 29A00 94		1
485	4102T33P01	. TUBE-TRANSFER SIN 29A00 116		1
490	J221P008	. PACKING-PREFORMED SIN 29A00 117		2
495	3066T64P01	. SWITCH-FUEL PRESSURE SIN 29A09		RF
500	J228P904	. PACKING-PREFORMED SIN 29A53		RF

- ITEM NOT ILLUSTRATED

GE Designated: - CONFIDENTIAL Subject to the restrictions on the media