



CT7-2E INCREMENTAL CHANGE

Release Notification Date: 02/15/2022

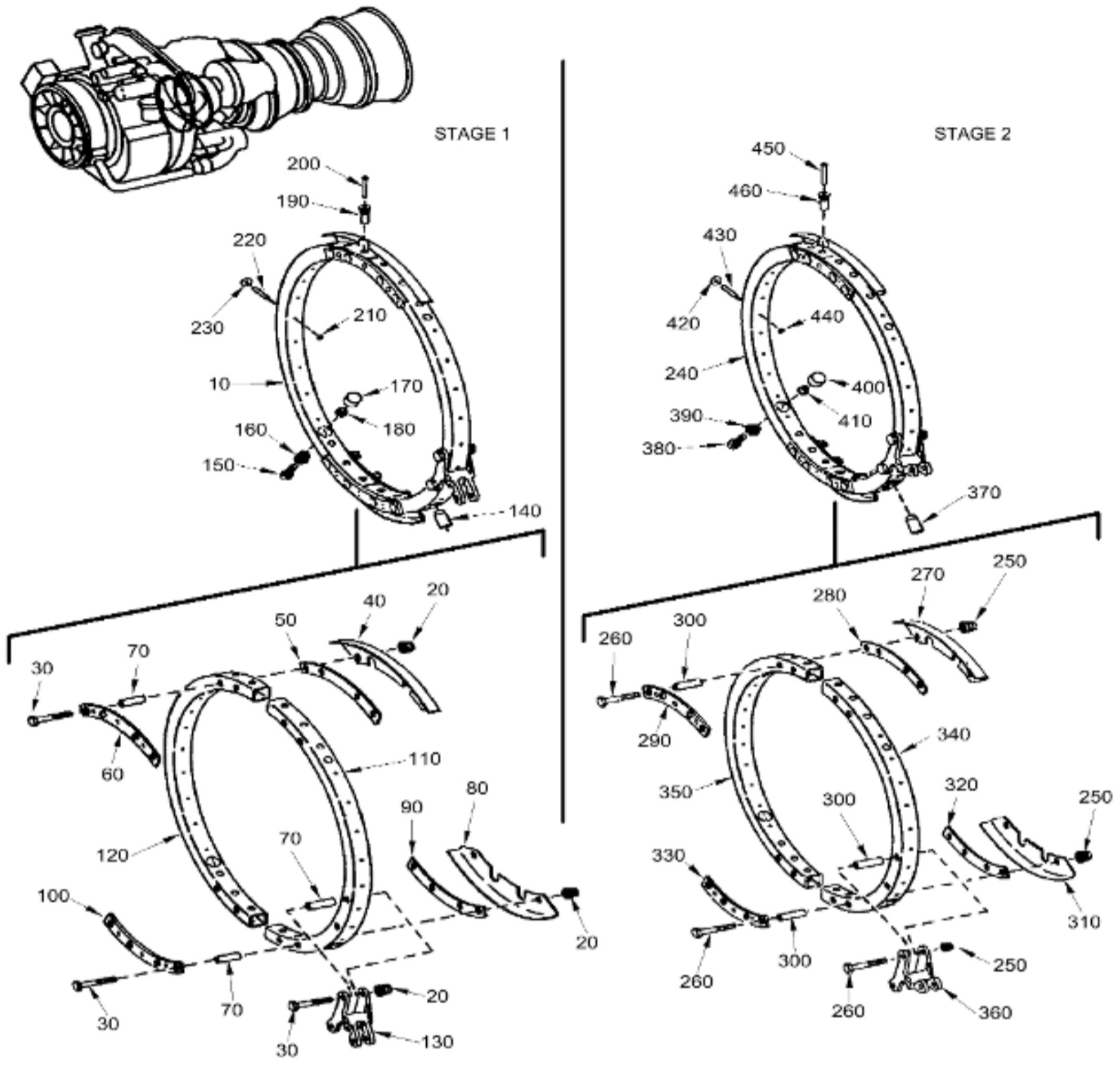
IPC 72-37-00 FIG. 02 STAGE 1 AND STAGE 2 ACTUATING RINGS

GE Designated: -CONFIDENTIAL-

The information contained in this document is GE proprietary information and is disclosed in confidence. It is the property of GE and shall not be used, disclosed to others or reproduced without the express written consent of GE, including, but without limitation, it is not to be used in the creation, manufacture, development, or derivation of any repairs, modifications, spare parts, designs, or configuration changes or to obtain FAA or any other government or regulatory approval to do so. If consent is given for reproduction in whole or in part, this notice and the notice set forth on each page of this document shall appear in any such reproduction in whole or part.

This technical data is considered subject to the Export Administration Regulations (EAR) pursuant to 15 CFR Parts 730-774. Transfer of this data by any means to a Non-U.S. Person, whether in the United States or abroad, without the proper U.S. Government authorization (e.g., License, exemption, NLR, etc.), is strictly prohibited.

Copyright (2022) General Electric Company, U.S.A.



1299480-00

STAGE 1 AND STAGE 2 ACTUATING RINGS
 Figure 02

ITEM	PART NUMBER	NOMENCLATURE		USAGE CODE	UNITS PER ASSY
		1	2		
- 001	NO-NUMBER	RINGS-STAGE 1 AND STAGE 2 ACTUATING			RF
- 002	NHA	RING-STAGE 1 VANE ACTUATING SIN 07000 5 SEE 72-36-00-01-200 FOR NHA			RF
010	6039T26G01	.	RING-STAGE 1 VANE SIN 07000 5 2 MATCHED PART ORDER NHA	NP	1
020	R1181P002C	.	NUT-SELF-LOCKING-HEX SIN 07000 5 2 9 REPL BY R1181P002		10
- 020A	R1181P002	.	NUT-SELF-LOCKING-HEX SIN 07000 5 2 9 POST SB 72-0026		10
030	J712P026A	.	BOLT-HEX HEAD SHEAR SIN 07000 5 2 8		10
040	4046T80P01	.	RETAINER-PIN SIN 07000 5 2 4		1

050	3033T66P02	. . SECTOR-INNER SIN 07000 5 2 15		1
060	6039T26P08	. . PLATE-ANTI-ROTATION SIN 07000 5 2 17		1
070	6039T26P03	. . BUSHING SIN 07000 5 2 7		10
080	4046T80P02	. . RETAINER-PIN SIN 07000 5 2 5		1
090	3033T66P02	. . SECTOR-INNER SIN 07000 5 2 16		1
100	6039T26P09	. . PLATE-ANTI-ROTATION SIN 07000 5 2 18		1
110	6039T26P01	. . RING HALF-LH SIN 07000 5 2 2 MATCHED PART ORDER NHA	NP	1
120	6039T26P02	. . RING HALF-RH SIN 07000 5 2 3 MATCHED PART ORDER NHA	NP	1
130	5044T13P01	. . CLEVIS-STAGE 1 SIN 07000 5 2 6		1
140	3033T67P01	. BUSHING-SLEEVE SIN 07000 5 7		1
150	R1432P008	. SCREW-SOCKET HEAD CAP SIN 07000 5 3		4
160	4046T75P01	. NUT-SELF-LOCKING SIN 07000 5 4		4
170	3031T45G01	. BEARING-THRUST SIN 07000 5 5		4
180	3031T36P01	. NUT-SELF-LOCKING SIN 07000 5 11		4
190	3036T79P01	. BUSHING-SLEEVE SIN 07000 5 8		12
200	3031T30G01	. PIN-HEADLESS STRAIGHT SIN 07000 5 10		12
210	3031T33P01	. WASHER-FLAT SIN 07000 5 9		18
220	3036T40P01	. PIN-HEADLESS SHOULDER SIN 07000 5 6		18
- 221	3036T40P02	. PIN-HEADLESS SHOULDER SIN 07000 5 6		AR
230	3036T78P01	. WASHER-FLAT SIN 07000 5 12		18
- 235	NHA(2)	RING-STAGE 2 VANE ACTUATING SIN 07000 11 SEE 72-36-00-01-210 FOR NHA		RF
240	6039T24G02	. RING-STAGE 2 VANE SIN 07000 11 2 MATCHED PART ORDER NHA	NP	1
250	R1181P002C	. . NUT-SELF-LOCKING-HEX SIN 07000 11 2 9 REPL BY R1181P002		10
- 250A	R1181P002	. . NUT-SELF-LOCKING-HEX SIN 07000 11 2 9 POST SB 72-0026		10
260	J712P026A	. . BOLT-HEX HEAD SHEAR SIN 07000 11 2 8		10
270	4046T79P01	. . RETAINER-PIN SIN 07000 11 2 4		1
280	3033T66P01	. . SECTOR-INNER SIN 07000 11 2 15		1
290	6039T24P08	. . PLATE-ANTI-ROTATION SIN 07000 11 2 17		1
300	6039T24P03	. . BUSHING SIN 07000 11 2 7		10
310	4046T79P02	. . RETAINER-PIN SIN 07000 11 2 5		1
320	3033T66P01	. . SECTOR-INNER SIN 07000 11 2 16		1
330	6039T24P09	. . PLATE-ANTI-ROTATION SIN 07000 11 2 18		1
340	6039T24P01	. . RING HALF-LH SIN 07000 11 2 2 MATCHED PART ORDER NHA	NP	1
350	6039T24P02	. . RING HALF-RH	NP	1

		SIN 07000 11 2 3 MATCHED PART ORDER NHA		
360	4053T09P02	. . CLEVIS-STAGE 2 SIN 07000 11 2 6		1
370	3033T67P01	. BUSHING-SLEEVE SIN 07000 11 7		1
380	R1432P008	. SCREW-SOCKET HEAD CAP SIN 07000 11 3		4
390	4046T75P01	. NUT-SELF-LOCKING SIN 07000 11 4		4
400	3031T45G01	. BEARING-THRUST SIN 07000 11 5		4
410	3031T36P01	. NUT-SELF-LOCKING SIN 07000 11 11		4
420	3036T78P01	. WASHER-FLAT SIN 07000 11 12		22
430	3036T40P01	. PIN-HEADLESS SHOULDER SIN 07000 11 6		22
- 431	3036T40P02	. PIN-HEADLESS SHOULDER SIN 07000 11 6		AR
440	3031T33P01	. WASHER-FLAT SIN 07000 11 9		22
450	3031T30G01	. PIN-HEADLESS STRAIGHT SIN 07000 11 10		12
460	3036T79P01	. BUSHING-SLEEVE SIN 07000 11 8		12

- ITEM NOT ILLUSTRATED

GE Designated: - CONFIDENTIAL Subject to the restrictions on the media