



CT7-2E INCREMENTAL CHANGE

Release Notification Date: 02/15/2022

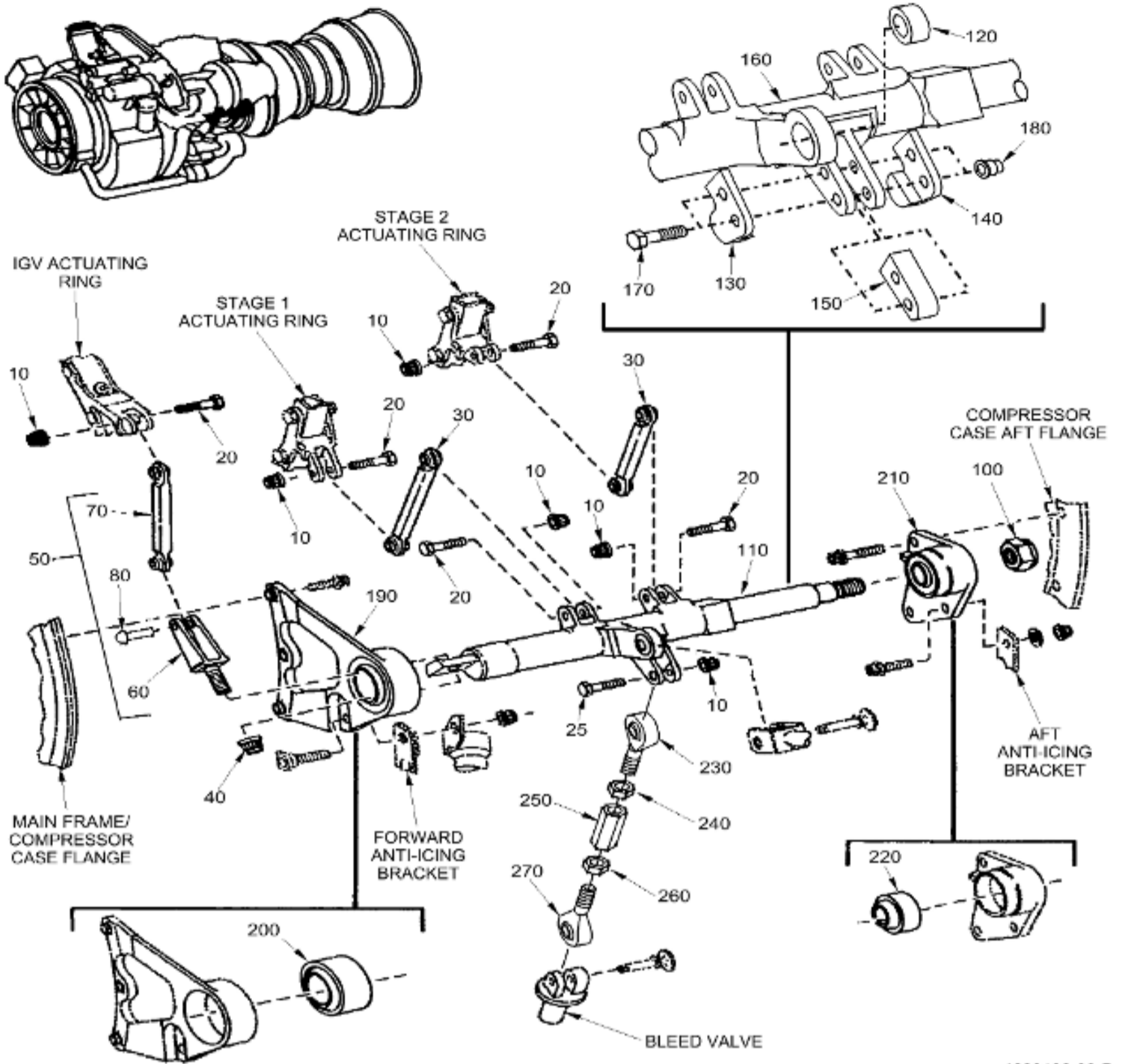
IPC 72-35-00 FIG. 01 ACTUATING SYSTEM LINKAGE ASSEMBLY

GE Designated: -CONFIDENTIAL-

The information contained in this document is GE proprietary information and is disclosed in confidence. It is the property of GE and shall not be used, disclosed to others or reproduced without the express written consent of GE, including, but without limitation, it is not to be used in the creation, manufacture, development, or derivation of any repairs, modifications, spare parts, designs, or configuration changes or to obtain FAA or any other government or regulatory approval to do so. If consent is given for reproduction in whole or in part, this notice and the notice set forth on each page of this document shall appear in any such reproduction in whole or part.

This technical data is considered subject to the Export Administration Regulations (EAR) pursuant to 15 CFR Parts 730-774. Transfer of this data by any means to a Non-U.S. Person, whether in the United States or abroad, without the proper U.S. Government authorization (e.g., License, exemption, NLR, etc.), is strictly prohibited.

Copyright (2022) General Electric Company, U.S.A.



1299186-00-B

ACTUATING SYSTEM LINKAGE ASSEMBLY
 Figure 01

ITEM	PART NUMBER	NOMENCLATURE	USAGE CODE	UNITS PER ASSY
-001	NHA	LINKAGE ASSY-ACTUATING SYSTEM SIN 07100 1 SEE 72-30-00-01-495 FOR NHA		RF
010	R1181P002C	. NUT-SELF-LOCKING-HEX SIN 07100 6 REPL BY R1181P002		6
-010A	R1181P002	. NUT-SELF-LOCKING-HEX SIN 07100 6 POST SB 72-0026		6
020	J712P019A	. BOLT-SHEAR SIN 07100 7		5
025	J712P026A	. BOLT-SHEAR SIN 07100 18		1
030	5044T12P01	. LINK ASSY SIN 07100 8		2
-030A	5044T12P02	. LINK ASSY SIN 07100 8		ALT

-030B	5044T12P03	. LINK ASSY SIN 07100 8		ALT
-030C	5044T12P04	. LINK ASSY SIN 07100 8		ALT
040	4042T93P01	. NUT-REDUCED HEX-SELF-LOCKING CAPTIVE WASHER SIN 07100 4		1
-040A	4042T93P03	. NUT-REDUCED HEX-SELF-LOCKING CAPTIVE WASHER SIN 07100 4		ALT
050	4076T40G07	. CLEVIS-SHAFT ASSY-IGV SIN 07100 12		1
060	4053T05P01	. . CLEVIS-IGV SIN 07100 12 2		1
070	5044T12P01	. . LINK ASSY SIN 07100 12 4		1
-070A	5044T12P02	. . LINK ASSY SIN 07100 12 4		ALT
-070B	5044T12P03	. . LINK ASSY SIN 07100 12 4		ALT
-070C	5044T12P04	. . LINK ASSY SIN 07100 12 4		ALT
080	AS123447	. . RIVET SIN 07100 12 3		1
-080A	AS123358	. . RIVET SIN 07100 12 3		ALT
-080B	AN123447	. . RIVET SIN 07100 12 3		ALT
-080C	AN123358	. . RIVET SIN 07100 12 3		ALT
100	4040T77P01	. NUT-SLFLKG SIN 07100 10		1
-100A	4040T77P03	. NUT-SLFLKG SIN 07100 10		ALT
110	6039T25G02	. SHAFT-ACTUATING SIN 07100 2		1
120	4045T27P01	. . BEARING-SPHERICAL SIN 07100 2 3		1
-120A	4045T27P02	. . BEARING-SPHERICAL SIN 07100 2 3		ALT
-120B	4045T27P04	. . BEARING-SPHERICAL SIN 07100 2 3		ALT
130	5160T67P01	. . CLEVIS-EXTERNAL - VG ACTUATOR SIN 07100 2 4		1
140	5160T67P02	. . CLEVIS-EXTERNAL - VG ACTUATOR SIN 07100 2 5		1
150	5160T68P01	. . SPACER-CLEVIS-VG ACTUATOR SIN 07100 2 6		1
160	6039T25P01	. . SHAFT-ACTUATING SIN 07100 2 2		1
170	J712P026A	. . BOLT-SHEAR SIN 07100 2 7		2
180	R1181P002C	. . NUT-SELF-LOCKING-HEX SIN 07100 2 8 REPL BY R1181P002		2
-180A	R1181P002	. . NUT-SELF-LOCKING-HEX SIN 07100 2 8 POST SB 72-0026		2
190	4040T61G04	. BEARING AND BRACKET-FRONT SIN 07100 3		1
200	4040T63P02	. . BEARING-SPHERICAL SIN 07100 3 3		1
210	5168T31G02	. BEARING AND BRACKET-REAR SIN 07100 9		1
220	4040T59P06	. . BEARING-SPHERICAL SIN 07100 9 3		1
-220A	4040T59P04	. . BEARING-SPHERICAL SIN 07100 9 3		ALT
-220B	4040T59P05	. . BEARING-SPHERICAL SIN 07100 9 3		ALT
-220C	5056T84P01	. . BEARING-PLAIN SIN 07100 9 3		ALT
230	5074T84P06	. BEARING-ROD END SIN 07100 17		1
-230A	5074T84P10	. BEARING-ROD END SIN 07100 17		ALT

240	3031T35P02	. NUT SIN 07100 15		1
250	3031T37P08	. TURNBUCKLE BODY SIN 07100 13		1
260	3031T35P01	. NUT SIN 07100 14		1
270	5074T84P01	. BEARING-ROD END SIN 07100 16		1
-270A	5074T84P11	. BEARING-ROD END SIN 07100 16		ALT

- ITEM NOT ILLUSTRATED

GE Designated: - CONFIDENTIAL Subject to the restrictions on the media