



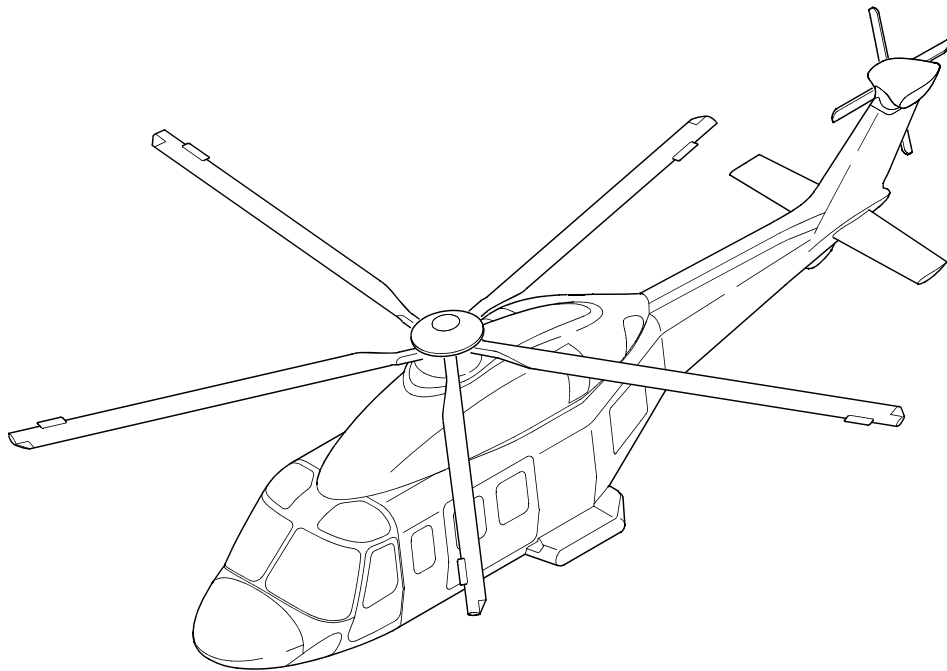
MECAER | AVIATION | GROUP

Owner's Manual

(INSTRUCTIONS FOR CONTINUED AIRWORTHINESS)

P/N 6AB1WNM-2-20

(INSTALLATION MANUAL, MAINTENANCE MANUAL AND ILLUSTRATED PARTS BREAKDOWN)



IFEEL ENTERTAINMENT SYSTEM INSTALLATION

Part Number 6AB1AD016-001

for

Leonardo AB139 and AW139 Helicopters



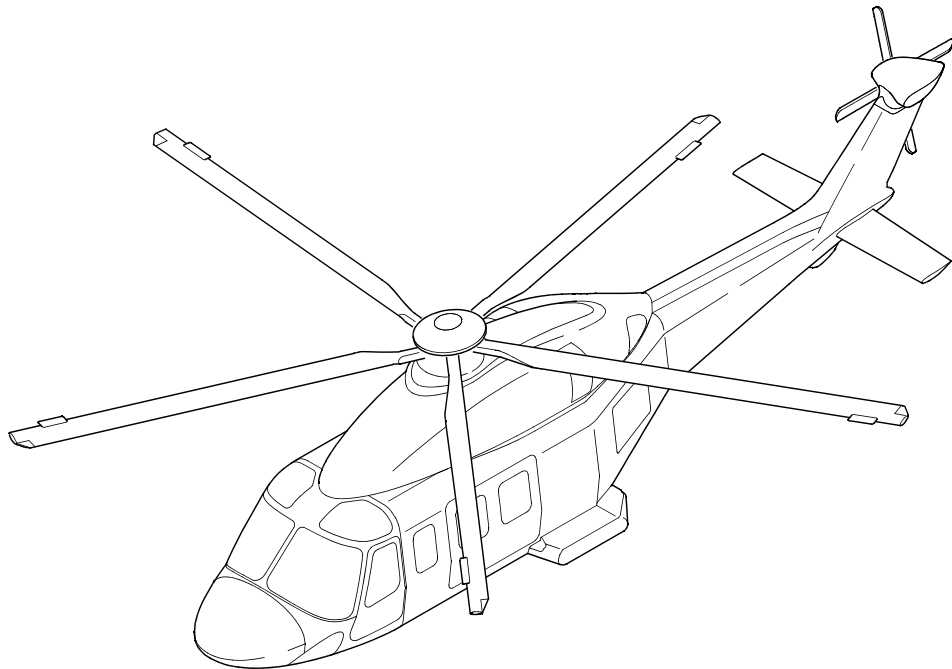
MECAER | AVIATION | GROUP

Owner's Manual

(INSTRUCTIONS FOR CONTINUED AIRWORTHINESS)

P/N 6AB1WNM-2-20

(INSTALLATION MANUAL, MAINTENANCE MANUAL AND ILLUSTRATED PARTS BREAKDOWN)



IFEEL ENTERTAINMENT SYSTEM INSTALLATION

P/N 6AB1AD016-001

for

Leonardo AB139 and AW139 Helicopters

M.A.G. S.p.A. (code No. A3729)

The technical content of this document is approved under the authority of DOA No. EASA.21J.224.

The information contained herein is the property of M.A.G. S.p.A., to be held and treated by its recipient on a confidential base. No disclosure, use, or duplication shall be made without prior written permission of M.A.G. S.p.A., or their legal representatives.

23 September 2010
Rev. CT - 12 November 2021



LIST OF EFFECTIVE PAGES

INSERT LATEST CHANGED PAGES. DESTROY SUPERSEDED PAGES.

NOTE: The part of page affected by the modification is indicated according to the method specified by the introduction.

CAUTION: With this publication and subsequent amendments personnel responsible for the publication updating shall verify that all previous amendments have been received and embodied.

Should the publication result to be incomplete, relevant updating shall be immediately performed.

The issue dates of the original and changed pages are:

Issue/Revision	Rev. Letter	Rev. Date	DOA Approval No.
First Issue	A	23 September 2010	AS-OWN/10/022
First Issue	B	14 January 2011	AS-OWN/11/002
First Issue	C	11 February 2011	AS-OWN/11/007
First Issue	D	24 May 2011	AS-OWN/11/013
First Issue	E	25 May 2011	AS-OWN/11/015
First Issue	F	23 June 2011	AS-OWN/11/017
First Issue	G	21 July 2011	AS-OWN/11/021
First Issue	H	21 September 2011	AS-OWN/11/029
First Issue	I	29 September 2011	AS-OWN/11/032
First Issue	J	24 November 2011	AS-OWN/11/037
First Issue	K	16 December 2011	AS-OWN/11/041
First Issue	L	13 March 2012	AS-OWN/12/007
First Issue	M	06 June 2012	AS-OWN/12/015
First Issue	N	29 June 2012	AS-OWN/12/018
First Issue	O	10 July 2012	AS-OWN/12/026
First Issue	P	30 July 2012	AS-OWN/12/028
First Issue	Q	03 August 2012	AS-OWN/12/033
First Issue	R	20 August 2012	AS-OWN/12/036
First Issue	S	31 August 2012	AS-OWN/12/039
First Issue	T	28 September 2012	AS-OWN/12/043
First Issue	U	30 October 2012	AS-OWN/12/050
First Issue	V	15 November 2012	AS-OWN/12/051
First Issue	W	15 November 2012	AS-OWN/12/056
First Issue	X	28 November 2012	AS-OWN/12/061
First Issue	Y	29 November 2012	AS-OWN/12/063
First Issue	Z	29 November 2012	AS-OWN/12/064
First Issue	AA	13 December 2012	AS-OWN/12/070
First Issue	AB	27 February 2013	AS-OWN/13/002
First Issue	AC	27 February 2013	AS-OWN/13/005
First Issue	AD	10 April 2013	AS-OWN/13/015
First Issue	AE	12 April 2013	AS-OWN/13/019
First Issue	AF	15 April 2013	AS-OWN/13/023
First Issue	AG	28 May 2013	AS-OWN/13/026
First Issue	AH	28 May 2013	AS-OWN/13/030
First Issue	AI	19 June 2013	AS-OWN/13/033
First Issue	AJ	21 June 2013	AS-OWN/13/036
First Issue	AK	19 July 2013	AS-OWN/13/039
First Issue	AL	01 August 2013	AS-OWN/13/041
First Issue	AM	02 August 2013	AS-OWN/13/046
First Issue	AN	28 October 2013	AS-OWN/13/055
First Issue	AO	31 October 2013	AS-OWN/13/057
First Issue	AP	29 November 2013	AS-OWN/13/062
First Issue	AQ	20 December 2013	AS-OWN/13/066
First Issue	AR	07 March 2014	AS-OWN/14/009
First Issue	AS	21 March 2014	AS-OWN/14/015
First Issue	AT	30 May 2014	AS-OWN/14/020
First Issue	AU	02 September 2014	AS-OWN/14/035
First Issue	AV	29 September 2014	AS-OWN/14/044
First Issue	AW	19 November 2014	AS-OWN/14/050
First Issue	AX	26 November 2014	AS-OWN/14/054
First Issue	AY	26 February 2015	AS-OWN/15/006
First Issue	AZ	24 March 2015	AS-OWN/15/011
First Issue	BA	08 April 2015	AS-OWN/15/013
First Issue	BB	24 April 2015	AS-OWN/15/016
First Issue	BC	23 June 2015	AS-OWN/15/026
First Issue	BD	29 July 2015	AS-OWN/15/030
First Issue	BE	29 September 2015	AS-OWN/15/033
First Issue	BF	12 October 2015	AS-OWN/15/036
First Issue	BG	13 October 2015	AS-OWN/15/038
First Issue	BH	26 October 2015	AS-OWN/15/042
First Issue	BI	10 November 2015	AS-OWN/15/050
First Issue	BJ	13 November 2015	AS-OWN/15/054
First Issue	BK	03 December 2015	AS-OWN/15/059



Issue/Revision	Rev. Letter	Rev. Date	DOA Approval No.
First Issue	BL	09 May 2016	AS-OWN-16-016
First Issue	BM	16 June 2016	AS-OWN-16-021
First Issue	BN	11 October 2016	AS-OWN-16-033
First Issue	BO	23 March 2017	AS-OWN-17-003
First Issue	BP	07 April 2017	AS-OWN-17-009
First Issue	BQ	30 May 2017	AS-OWN-17-014
First Issue	BR	31 May 2017	AS-OWN-17-016
First Issue	BS	12 June 2017	AS-OWN-17-019
First Issue	BT	09 October 2017	AS-OWN-17-025
First Issue	BU	14 November 2017	AS-OWN-17-027
First Issue	BV	20 December 2017	AS-OWN-17-034
First Issue	BW	21 December 2017	AS-OWN-17-037
First Issue	BX	02 May 2018	AS-OWN-18-012
First Issue	BY	15 May 2018	AS-OWN-18-016
First Issue	BZ	23 May 2018	AS-OWN-18-018
First Issue	CA	23 July 2018	AS-OWN-18-028
First Issue	CB	02 August 2018	AS-OWN-18-030
First Issue	CC	28 December 2018	AS-OWN-18-044
First Issue	CD	28 March 2019	AS-OWN-19-015
First Issue	CE	04 April 2019	AS-OWN-19-017
First Issue	CF	10 May 2019	AS-OWN-19-023
First Issue	CG	19 July 2019	AS-OWN-19-030
First Issue	CH	02 August 2019	AS-OWN-19-034
First Issue	CI	02 August 2019	AS-OWN-19-019
First Issue	CJ	20 September 2019	AS-OWN-19-039
First Issue	CK	22 November 2019	AS-OWN-19-046
First Issue	CL	06 December 2019	AS-OWN-19-053
First Issue	CM	28 February 2020	AS-OWN-20-007
First Issue	CN	15 April 2020	AS-OWN-20-009
First Issue	CO	24 November 2020	AS-OWN-20-024
First Issue	CP	04 December 2020	AS-OWN-20-027
First Issue	CQ	18 December 2020	AS-OWN-20-030
First Issue	CR	21 April 2021	AS-OWN-21-016
First Issue	CS	03 June 2021	AS-OWN-21-025
First Issue	CT	12 November 2021	AS-OWN-21-035

LIST OF EFFECTIVE PAGES (Continued)

Page No.	Change No.	Page No.	Change No.
Frontispiece	CT	5-1 thru 5-2	A
LEP-1 thru LEP-10	CT	5-3 thru 5-8	D
CRI-i thru CRI-ii	AR	6-1 thru 6-20	D
SBL-1 thru SBL-2	AO	X-1 thru X-4	A
TRR-1 thru TRR-2	CS		
TMI-1 and TMI-4	CT	APPENDIX B	
1-i thru 1-ii	CG		
1-1 thru 1-12	CT	COV-1 thru COV-2	B
		IND-1 thru IND-6	B
APPENDIX A		1-1 thru 1-2	B
		2-1 thru 2-20	R
COV-1 thru COV-2	A	3-1 thru 3-4	B
IND-1 thru IND-2	A	4-1 thru 4-8	BL
IND-3 thru IND-4	D	5-1 thru 5-8	B
IND-5 thru IND-6	A	6-1 thru 6-22	C
1-1 thru 1-4	A	X-1 thru X-4	B
2-1 thru 2-20	R		
3-1 thru 3-4	A	APPENDIX C	
4-1 thru 4-14	BL		



LIST OF EFFECTIVE PAGES (Continued)

Page No.	Change No.	Page No.	Change No.
COV-1 thru COV-2	BN	3-1 thru 3-4	H
IND-1 thru IND-10	BN	4-1 thru 4-12	BL
1-1 thru 1-14	BN	5-1 thru 5-6	H
2-1 thru 2-68	BN	6-1 thru 6-26	H
3-1 thru 3-16	BN	X-1 thru X-4	H
4-1 thru 4-32	BN		
5-1 and 5-80	AH	APPENDIX I	
6-1 thru 6-116	BN	COV-1 thru COV-2	I
X-1 thru X-4	BN	IND-1 thru IND-6	I
		1-1 thru 1-2	J
APPENDIX D		2-1 thru 2-20	R
COV-1 thru COV-2	D	3-1 thru 3-6	I
IND-1 thru IND-6	D	4-1 thru 4-12	BL
1-1 thru 1-4	D	5-1 thru 5-6	I
2-1 thru 2-20	R	6-1 thru 6-26	I
3-1 thru 3-6	D	X-1 thru X-4	I
4-1 thru 4-14	BL		
5-1 thru 5-8	D	APPENDIX J	
6-1 thru 6-24	D	COV-1 thru COV-2	K
X-1 thru X-4	D	IND-1 thru IND-6	K
		1-1 thru 1-4	K
APPENDIX E		2-1 thru 2-18	R
COV-1 thru COV-2	E	3-1 thru 3-6	K
IND-1 thru IND-6	E	4-1 thru 4-14	BL
1-1 thru 1-4	E	5-1 thru 5-10	K
2-1 thru 2-18	R	6-1 thru 6-26	K
3-1 thru 3-4	E	X-1 thru X-4	K
4-1 thru 4-14	BL		
5-1 thru 5-10	E	APPENDIX K	
6-1 thru 6-24	E	COV-1 thru COV-2	L
X-1 thru X-4	E	IND-1 thru IND-6	L
		1-1 thru 1-4	L
APPENDIX F		2-1 thru 2-20	R
COV-1 thru COV-2	AE	3-1 thru 3-6	L
IND-1 thru IND-6	AE	4-1 thru 4-14	BL
1-1 thru 1-4	AE	5-1 thru 5-10	L
2-1 thru 2-22	AE	6-1 thru 6-26	L
3-1 thru 3-6	AE	X-1 thru X-4	L
4-1 thru 4-14	BL		
5-1 thru 5-16	AE	APPENDIX L	
6-1 thru 6-40	CS	COV-1 thru COV-2	M
X-1 thru X-4	AE	IND-1 thru IND-6	M
		1-1 thru 1-4	M
APPENDIX G		2-1 thru 2-22	R
COV-1 thru COV-2	G	3-1 thru 3-2	M
IND-1 thru IND-6	H	4-1 thru 4-14	BL
1-1 thru 1-4	H	5-1 thru 5-8	M
2-1 thru 2-36	R	6-1 thru 6-24	M
3-1 thru 3-4	G	X-1 thru X-4	M
4-1 thru 4-14	BL		
5-1 thru 5-6	G	APPENDIX M	
6-1 thru 6-56	H	COV-1 thru COV-2	N
X-1 thru X-4	H	IND-1 thru IND-4	AO
		IND-5 thru IND-6	N
APPENDIX H		1-1 thru 1-4	N
COV-1 thru COV-2	H	2-1 thru 2-22	AO
IND-1 thru IND-6	H	3-1 thru 3-6	P
1-1 thru 1-2	H	4-1 thru 4-16	BL
2-1 thru 2-20	R	5-1 thru 5-10	AO



LIST OF EFFECTIVE PAGES (Continued)

Page No.	Change No.	Page No.	Change No.
6-1 thru 6-26	AO	6-1 thru 6-26	V
X-1 thru X-4	AO	X-1 thru X-4	V
APPENDIX N		APPENDIX S	
COV-1 thru COV-2	X	COV-1 thru COV-2	Y
IND-1 thru IND-4	X	IND-1 thru IND-6	Y
IND-5 thru IND-6	O	1-1 thru 1-4	Y
1-1 thru 1-4	X	2-1 thru 2-20	Y
2-1 thru 2-24	X	3-1 thru 3-4	Y
3-1 thru 3-6	O	4-1 thru 4-14	BL
4-1 thru 4-16	BL	5-1 thru 5-12	Y
5-1 thru 5-18	O	6-1 thru 6-26	Y
6-1 thru 6-26	X	X-1 thru X-4	Y
X-1 thru X-4	X	APPENDIX T	
APPENDIX O		COV-1 thru COV-2	AA
COV-1 thru COV-2	P	IND-1 thru IND-6	AA
IND-1 thru IND-6	X	1-1 thru 1-4	AA
1-1 thru 1-4	P	2-1 thru 2-20	AA
2-1 thru 2-20	X	3-1 thru 3-4	AA
3-1 thru 3-6	P	4-1 thru 4-16	BL
4-1 thru 4-14	BL	5-1 thru 5-14	BG
5-1 thru 5-6	BO	6-1 thru 6-26	AA
6-1 thru 6-26	X	X-1 thru X-4	AA
X-1 thru X-4	P	APPENDIX U	
APPENDIX P		COV-1 thru COV-2	AI
COV-1 thru COV-2	T	IND-1 thru IND-6	AI
IND-1 thru IND-6	T	1-1 thru 1-4	AI
1-1 thru 1-4	T	2-1 thru 2-22	AI
2-1 thru 2-20	T	3-1 thru 3-4	AI
3-1 thru 3-6	T	4-1 thru 4-14	BL
4-1 thru 4-14	BL	5-1 thru 5-6	AI
5-1 thru 5-10	T	6-1 thru 6-26	AI
6-1 thru 6-26	T	X-1 thru X-4	AI
X-1 thru X-4	T	APPENDIX V	
APPENDIX Q		COV-1 thru COV-2	AF
COV-1 thru COV-2	U	IND-1 thru IND-6	AF
IND-1 thru IND-6	U	1-1 thru 1-4	AF
1-1 thru 1-4	U	2-1 thru 2-20	AF
2-1 thru 2-20	U	3-1 thru 3-8	AF
3-1 thru 3-4	U	4-1 thru 4-14	BL
4-1 thru 4-14	BL	5-1 thru 5-8	AF
5-1 thru 5-12	U	6-1 thru 6-30	AF
6-1 thru 6-26	U	X-1 thru X-4	AF
X-1 thru X-4	U	APPENDIX W	
APPENDIX R		COV-1 thru COV-2	AJ
COV-1 thru COV-2	V	IND-1 thru IND-6	AJ
IND-1 thru IND-6	V	1-1 thru 1-4	AJ
1-1 thru 1-4	V	2-1 thru 2-20	AJ
2-1 thru 2-20	V	3-1 thru 3-8	AJ
3-1 thru 3-4	V	4-1 thru 4-16	BL
4-1 thru 4-12	BL	5-1 thru 5-10	AJ
5-1 thru 5-10	V	6-1 thru 6-26	BX
		X-1 thru X-4	AJ



LIST OF EFFECTIVE PAGES (Continued)

Page No.	Change No.	Page No.	Change No.
APPENDIX X		IND-1 thru IND-6.....	AP
COV-1 thru COV-2.....	AK	1-1 thru 1-4.....	AP
IND-1 thru IND-6.....	AK	2-1 thru 2-12.....	AP
1-1 thru 1-4.....	AK	3-1 thru 3-6.....	AP
2-1 thru 2-20.....	AK	4-1 thru 4-18.....	BL
3-1 thru 3-6.....	AK	5-1 thru 5-14.....	AP
4-1 thru 4-16.....	BL	6-1 thru 6-32.....	AP
5-1 thru 5-8.....	AK	X-1 thru X-4.....	AP
6-1 thru 6-22.....	I		
X-1 thru X-4.....	AK	APPENDIX AD	
APPENDIX Y		COV-1 thru COV-2.....	AQ
COV-1 thru COV-2.....	AL	IND-1 thru IND-6.....	AQ
IND-1 thru IND-6.....	AL	1-1 thru 1-4.....	AQ
1-1 thru 1-4.....	AL	2-1 thru 2-24.....	AQ
2-1 thru 2-22.....	AL	3-1 thru 3-6.....	AQ
3-1 thru 3-6.....	AL	4-1 thru 4-18.....	BL
4-1 thru 4-18.....	BL	5-1 thru 5-14.....	AQ
5-1 thru 5-10.....	AL	6-1 thru 6-28.....	AQ
6-1 thru 6-26.....	AL	X-1 thru X-4.....	AQ
X-1 thru X-4.....	AL	APPENDIX AE	
APPENDIX Z		COV-1 thru COV-2.....	AR
COV-1 thru COV-2.....	AM	IND-1 thru IND-6.....	AR
IND-1 thru IND-6.....	AM	1-1 thru 1-4.....	AR
1-1 thru 1-4.....	AM	2-1 thru 2-26.....	AS
2-1 thru 2-20.....	AM	3-1 thru 3-8.....	AR
3-1 thru 3-8.....	AM	4-1 thru 4-22.....	BL
4-1 thru 4-18.....	BL	5-1 thru 5-12.....	AS
5-1 thru 5-16.....	AM	6-1 thru 6-30.....	AR
6-1 thru 6-22.....	AM	X-1 thru X-4.....	AR
X-1 thru X-4.....	AM	APPENDIX AF	
APPENDIX AA		COV-1 thru COV-2.....	AS
COV-1 thru COV-2.....	AN	IND-1 thru IND-6.....	AS
IND-1 thru IND-6.....	AN	1-1 thru 1-4.....	AS
1-1 thru 1-4.....	AN	2-1 thru 2-20.....	AS
2-1 thru 2-24.....	AN	3-1 thru 3-6.....	AS
3-1 thru 3-10.....	AN	4-1 thru 4-16.....	BL
4-1 thru 4-18.....	BL	5-1 thru 5-14.....	AS
5-1 thru 5-14.....	AN	6-1 thru 6-26.....	AS
6-1 thru 6-28.....	AN	X-1 thru X-4.....	AS
X-1 thru X-4.....	AN	APPENDIX AG	
APPENDIX AB		COV-1 thru COV-2.....	AT
COV-1 thru COV-2.....	AO	IND-1 thru IND-6.....	AT
IND-1 thru IND-6.....	AO	1-1 thru 1-4.....	AT
1-1 thru 1-4.....	AO	2-1 thru 2-24.....	AT
2-1 thru 2-24.....	AO	3-1 thru 3-6.....	AT
3-1 thru 3-6.....	AO	4-1 thru 4-22.....	BL
4-1 thru 4-18.....	BL	5-1 thru 5-18.....	AT
5-1 thru 5-16.....	AO	6-1 thru 6-30.....	AT
6-1 thru 6-28.....	AO	X-1 thru X-4.....	AT
X-1 thru X-4.....	AO	APPENDIX AH	
APPENDIX AC		COV-1 thru COV-2.....	AU
COV-1 thru COV-2.....	AP	IND-1 thru IND-6.....	AU
		1-1 thru 1-4.....	AU
		2-1 thru 2-22.....	AU

**LIST OF EFFECTIVE PAGES (Continued)**

Page No.	Change No.	Page No.	Change No.
3-1 thru 3-6	AU	6-1 thru 6-10.....	AZ
4-1 thru 4-22.....	BL	X-1 thru X-4.....	AZ
5-1 thru 5-20.....	AU		
6-1 thru 6-12.....	AU	APPENDIX AN	
X-1 thru X-4.....	AU		
APPENDIX AI		COV-1 thru COV-2	BA
		IND-1 thru IND-6	BA
COV-1 thru COV-2.....	AV	1-1 thru 1-2.....	BA
IND-1 thru IND-6.....	AV	2-1 thru 2-22.....	BA
1-1 thru 1-4.....	AV	3-1 thru 3-6.....	BA
2-1 thru 2-22.....	AV	4-1 thru 4-20.....	BL
3-1 thru 3-6.....	AV	5-1 thru 5-16.....	BA
4-1 thru 4-20.....	BL	6-1 thru 6-10.....	BA
5-1 thru 5-18.....	AV	X-1 thru X-4.....	BA
6-1 thru 6-12.....	AV		
X-1 thru X-4.....	AV	APPENDIX AO	
APPENDIX AJ		COV-1 thru COV-2	BB
		IND-1 thru IND-6	BB
COV-1 thru COV-2.....	AW	1-1 thru 1-2.....	BB
IND-1 thru IND-6.....	AW	2-1 thru 2-22.....	BB
1-1 thru 1-2.....	AW	3-1 thru 3-2.....	BB
2-1 thru 2-24.....	AW	4-1 thru 4-18.....	BL
3-1 thru 3-6.....	AW	5-1 thru 5-14.....	BB
4-1 thru 4-22.....	BL	6-1 thru 6-10.....	BB
5-1 thru 5-14.....	AW	X-1 thru X-4.....	BB
6-1 thru 6-10.....	AW		
X-1 thru X-4.....	AW	APPENDIX AP	
APPENDIX AK		COV-1 thru COV-2	BC
		IND-1 thru IND-6	BC
COV-1 thru COV-2.....	AX	1-1 thru 1-2.....	BC
IND-1 thru IND-6.....	AX	2-1 thru 2-22.....	BC
1-1 thru 1-2.....	AX	3-1 thru 3-6.....	BC
2-1 thru 2-22.....	AX	4-1 thru 4-18.....	BL
3-1 thru 3-6.....	AX	5-1 thru 5-14.....	BC
4-1 thru 4-18.....	BL	6-1 thru 6-12.....	BC
5-1 thru 5-12.....	AX	X-1 thru X-4.....	BC
6-1 thru 6-10.....	AX		
X-1 thru X-4.....	AX	APPENDIX AQ	
APPENDIX AL		COV-1 thru COV-2	BD
		IND-1 thru IND-6	BD
COV-1 thru COV-2.....	AY	1-1 thru 1-2.....	BD
IND-1 thru IND-6.....	AY	2-1 thru 2-24.....	BD
1-1 thru 1-2.....	AY	3-1 thru 3-6.....	BL
2-1 thru 2-22.....	AY	4-1 thru 4-22.....	BD
3-1 thru 3-6.....	AY	5-1 thru 5-16.....	BD
4-1 thru 4-16.....	BL	6-1 thru 6-12.....	BD
5-1 thru 5-12.....	AY	X-1 thru X-4.....	BD
6-1 thru 6-10.....	AY		
X-1 thru X-4.....	AY	APPENDIX AR	
APPENDIX AM		COV-1 thru COV-2	BE
		IND-1 thru IND-6	BE
COV-1 thru COV-2.....	AZ	1-1 thru 1-2.....	BE
IND-1 thru IND-6.....	AZ	2-1 thru 2-22.....	BE
1-1 thru 1-2.....	AZ	3-1 thru 3-6.....	BE
2-1 thru 2-22.....	AZ	4-1 thru 4-18.....	BL
3-1 thru 3-6.....	AZ	5-1 thru 5-12.....	BE
4-1 thru 4-16.....	BL	6-1 thru 6-12.....	BE
5-1 thru 5-12.....	AZ	X-1 thru X-4.....	BE



LIST OF EFFECTIVE PAGES (Continued)

Page	Change	Page	Change
No.	No.	No.	No.
APPENDIX AS		IND-1 thru IND-6	BK
COV-1 thru COV-2	BF	1-1 thru 1-2	BK
IND-1 thru IND-6	BF	2-1 thru 2-22	BK
1-1 thru 1-2	BF	3-1 thru 3-6	BK
2-1 thru 2-20	BF	4-1 thru 4-20	BL
3-1 thru 3-6	BF	5-1 thru 5-16	BK
4-1 thru 4-18	BL	6-1 thru 6-12	BK
5-1 thru 5-12	BF	X-1 thru X-4	BK
6-1 thru 6-10	BF		
X-1 thru X-4	BF	APPENDIX AY	
APPENDIX AT		COV-1 thru COV-2	BL
COV-1 thru COV-2	BG	IND-1 thru IND-6	BL
IND-1 thru IND-6	BG	1-1 thru 1-2	BL
1-1 thru 1-2	BG	2-1 thru 2-20	BL
2-1 thru 2-20	BH	3-1 thru 3-2	BL
3-1 thru 3-6	BG	4-1 thru 4-20	BL
4-1 thru 4-14	BL	5-1 thru 5-18	BL
5-1 thru 5-10	BG	6-1 thru 6-12	BL
6-1 thru 6-12	BG	X-1 thru X-4	BL
X-1 thru X-4	BG		
APPENDIX AU		APPENDIX AZ	
COV-1 thru COV-2	BH	COV-1 thru COV-2	BM
IND-1 thru IND-6	BH	IND-1 thru IND-6	BM
1-1 thru 1-2	BH	1-1 thru 1-2	BM
2-1 thru 2-20	BH	2-1 thru 2-20	BM
3-1 thru 3-6	BH	3-1 thru 3-6	BM
4-1 thru 4-20	BL	4-1 thru 4-20	BM
5-1 thru 5-16	BH	5-1 thru 5-14	BM
6-1 thru 6-10	BH	6-1 thru 6-10	BM
X-1 thru X-4	BH	X-1 thru X-4	BM
APPENDIX AV		APPENDIX BA	
COV-1 thru COV-2	BI	COV-1 thru COV-2	BO
IND-1 thru IND-6	BI	IND-1 thru IND-6	BO
1-1 thru 1-2	BI	1-1 thru 1-2	BO
2-1 thru 2-20	BI	2-1 thru 2-20	BO
3-1 thru 3-6	BI	3-1 thru 3-6	BO
4-1 thru 4-22	BL	4-1 thru 4-20	BO
5-1 thru 5-16	BI	5-1 thru 5-14	BO
6-1 thru 6-10	BI	6-1 thru 6-10	BO
X-1 thru X-4	BI	X-1 thru X-4	BO
APPENDIX AW		APPENDIX BB	
COV-1 thru COV-2	BJ	COV-1 thru COV-2	BP
IND-1 thru IND-6	BJ	IND-1 thru IND-6	BP
1-1 thru 1-2	BJ	1-1 thru 1-2	BP
2-1 thru 2-20	BJ	2-1 thru 2-24	BP
3-1 thru 3-6	BJ	3-1 thru 3-6	BP
4-1 thru 4-16	BL	4-1 thru 4-20	BP
5-1 thru 5-12	BJ	5-1 thru 5-14	BP
6-1 thru 6-10	BJ	6-1 thru 6-38	BP
X-1 thru X-4	BJ	X-1 thru X-4	BP
APPENDIX AX		APPENDIX BC	
COV-1 thru COV-2	BK	COV-1 thru COV-2	BQ
		IND-1 thru IND-6	BQ
		1-1 thru 1-2	BQ
		2-1 thru 2-26	BQ



LIST OF EFFECTIVE PAGES (Continued)

Page No.	Change No.	Page No.	Change No.
3-1 thru 3-6	BQ	6-1 thru 6-36	BZ
4-1 thru 4-20	BQ	X-1 thru X-4	BV
5-1 thru 5-18	BQ		
6-1 thru 6-44	BQ	APPENDIX BI	
X-1 thru X-4	BQ		
APPENDIX BD		COV-1 thru COV-2	BW
		IND-1 thru IND-6	BW
COV-1 thru COV-2	BR	1-1 thru 1-2	BW
IND-1 thru IND-6	BR	2-1 thru 2-26	BW
1-1 thru 1-2	BR	3-1 thru 3-4	BW
2-1 thru 2-22	BR	4-1 thru 4-20	BW
3-1 thru 3-6	BR	5-1 thru 5-18	BW
4-1 thru 4-20	BR	6-1 thru 6-38	BW
5-1 thru 5-12	BR	X-1 thru X-4	BW
6-1 thru 6-38	BR	APPENDIX BJ	
X-1 thru X-4	BR		
APPENDIX BE		COV-1 thru COV-2	BX
		IND-1 thru IND-6	BX
COV-1 thru COV-2	BS	1-1 thru 1-2	BX
IND-1 thru IND-6	BS	2-1 thru 2-22	BX
1-1 thru 1-2	BS	3-1 thru 3-4	BX
2-1 thru 2-22	BS	4-1 thru 4-20	BX
3-1 thru 3-6	BS	5-1 thru 5-14	BX
4-1 thru 4-18	BS	6-1 thru 6-38	BX
5-1 thru 5-12	BS	X-1 thru X-4	BX
6-1 thru 6-36	BS	APPENDIX BK	
X-1 thru X-4	BS		
APPENDIX BF		COV-1 thru COV-2	BY
		IND-1 thru IND-6	BY
COV-1 thru COV-2	BT	1-1 thru 1-2	BY
IND-1 thru IND-6	BT	2-1 thru 2-26	BY
1-1 thru 1-2	BT	3-1 thru 3-4	BY
2-1 thru 2-24	BT	4-1 thru 4-18	BY
3-1 thru 3-6	BT	5-1 thru 5-12	BY
4-1 thru 4-20	BT	6-1 thru 6-40	BY
5-1 thru 5-12	BT	X-1 thru X-4	BY
6-1 thru 6-38	BT	APPENDIX BL	
X-1 thru X-4	BT		
APPENDIX BG		COV-1 thru COV-2	BZ
		IND-1 thru IND-6	BZ
COV-1 thru COV-2	BU	1-1 thru 1-2	BZ
IND-1 thru IND-6	BU	2-1 thru 2-26	BZ
1-1 thru 1-2	BU	3-1 thru 3-4	BZ
2-1 thru 2-22	BU	4-1 thru 4-22	BZ
3-1 thru 3-6	BU	5-1 thru 5-18	BZ
4-1 thru 4-20	BU	6-1 thru 6-44	BY
5-1 thru 5-14	BU	X-1 thru X-4	BZ
6-1 thru 6-38	BU	APPENDIX BM	
X-1 thru X-4	BU		
APPENDIX BH		COV-1 thru COV-2	CA
		IND-1 thru IND-6	CA
COV-1 thru COV-2	BV	1-1 thru 1-2	CA
IND-1 thru IND-6	BV	2-1 thru 2-24	CA
1-1 thru 1-2	BV	3-1 thru 3-4	CA
2-1 thru 2-22	BV	4-1 thru 4-22	CA
3-1 thru 3-4	BV	5-1 thru 5-20	CA
4-1 thru 4-20	BV	6-1 thru 6-32	CA
5-1 thru 5-14	BV	X-1 thru X-4	CA



LIST OF EFFECTIVE PAGES (Continued)

Page No.	Change No.	Page No.	Change No.
APPENDIX BN		IND-1 thru IND-6	CG
COV-1 thru COV-2	CB	1-1 thru 1-2	CG
IND-1 thru IND-6	CB	2-1 thru 2-24	CG
1-1 thru 1-2	CB	3-1 thru 3-4	CG
2-1 thru 2-26	CB	4-1 thru 4-18	CG
3-1 thru 3-4	CB	5-1 thru 5-12	CG
4-1 thru 4-18	CB	6-1 thru 6-34	CG
5-1 thru 5-10	CB	X-1 thru X-4	CG
6-1 thru 6-40	CB	APPENDIX BT	
X-1 thru X-4	CB	COV-1 thru COV-2	CH
APPENDIX BO		IND-1 thru IND-6	CH
COV-1 thru COV-2	CC	1-1 thru 1-2	CH
IND-1 thru IND-6	CC	2-1 thru 2-24	CH
1-1 thru 1-2	CC	3-1 thru 3-4	CH
2-1 thru 2-24	CC	4-1 thru 4-20	CH
3-1 thru 3-4	CC	5-1 thru 5-12	CH
4-1 thru 4-18	CC	6-1 thru 6-34	CH
5-1 thru 5-12	CC	X-1 thru X-4	CH
6-1 thru 6-40	CC	APPENDIX BU	
X-1 thru X-4	CC	COV-1 thru COV-2	CI
APPENDIX BP		IND-1 thru IND-6	CI
COV-1 thru COV-2	CD	1-1 thru 1-2	CI
IND-1 thru IND-6	CD	2-1 thru 2-22	CI
1-1 thru 1-4	CD	3-1 thru 3-4	CI
2-1 thru 2-22	CD	4-1 thru 4-20	CI
3-1 thru 3-4	CD	5-1 thru 5-14	CI
4-1 thru 4-22	CD	6-1 thru 6-32	CI
5-1 thru 5-12	CD	X-1 thru X-4	CI
6-1 thru 6-44	CD	APPENDIX BV	
X-1 thru X-4	CD	COV-1 thru COV-2	CJ
APPENDIX BQ		IND-1 thru IND-6	CJ
COV-1 thru COV-2	CE	1-1 thru 1-2	CJ
IND-1 thru IND-6	CE	2-1 thru 2-24	CJ
1-1 thru 1-2	CE	3-1 thru 3-4	CJ
2-1 thru 2-24	CE	4-1 thru 4-18	CJ
3-1 thru 3-4	CE	5-1 thru 5-12	CJ
4-1 thru 4-22	CE	6-1 thru 6-34	CJ
5-1 thru 5-14	CE	X-1 thru X-4	CJ
6-1 thru 6-44	CE	APPENDIX BW	
X-1 thru X-4	CE	COV-1 thru COV-2	CK
APPENDIX BR		IND-1 thru IND-6	CK
COV-1 thru COV-2	CF	1-1 thru 1-2	CK
IND-1 thru IND-6	CF	2-1 thru 2-22	CK
1-1 thru 1-2	CF	3-1 thru 3-4	CK
2-1 thru 2-24	CF	4-1 thru 4-20	CK
3-1 thru 3-4	CF	5-1 thru 5-14	CK
4-1 thru 4-22	CF	6-1 thru 6-30	CK
5-1 thru 5-16	CF	X-1 thru X-4	CK
6-1 thru 6-34	CF	APPENDIX BX	
X-1 thru X-4	CF	COV-1 thru COV-2	CL
APPENDIX BS		IND-1 thru IND-6	CL
COV-1 thru COV-2	CG	1-1 thru 1-2	CL
		2-1 thru 2-22	CL



LIST OF EFFECTIVE PAGES (Continued)

Page No.	Change No.	Page No.	Change No.
3-1 thru 3-4	CL	X-1 thru X-4	CP
4-1 thru 4-16	CL		
5-1 thru 5-12	CL	APPENDIX CC	
6-1 thru 6-30	CL	COV-1 thru COV-2	CQ
X-1 thru X-4	CL	IND-1 thru IND-6	CQ
APPENDIX BY		1-1 thru 1-2	CQ
COV-1 thru COV-2	CM	2-1 thru 2-24	CQ
IND-1 thru IND-6	CM	3-1 thru 3-4	CQ
1-1 thru 1-2	CM	4-1 thru 4-16	CQ
2-1 thru 2-24	CM	5-1 thru 5-16	CQ
3-1 thru 3-4	CM	6-1 thru 6-34	CQ
4-1 thru 4-18	CM	X-1 thru X-4	CQ
5-1 thru 5-16	CM	APPENDIX CD	
6-1 thru 6-36	CO	COV-1 thru COV-2	CR
X-1 thru X-4	CM	IND-1 thru IND-6	CR
APPENDIX BZ		1-1 thru 1-2	CR
COV-1 thru COV-2	CN	2-1 thru 2-26	CR
IND-1 thru IND-6	CN	3-1 thru 3-4	CR
1-1 thru 1-2	CN	4-1 thru 4-30	CR
2-1 thru 2-22	CN	5-1 thru 5-20	CR
3-1 thru 3-4	CN	6-1 thru 6-42	CR
4-1 thru 4-20	CN	X-1 thru X-4	CR
5-1 thru 5-16	CN	APPENDIX CE	
6-1 thru 6-32	CN	COV-1 thru COV-2	CS
X-1 thru X-4	CN	IND-1 thru IND-6	CS
APPENDIX CA		1-1 thru 1-2	CS
COV-1 thru COV-2	CO	2-1 thru 2-26	CS
IND-1 thru IND-6	CO	3-1 thru 3-4	CS
1-1 thru 1-2	CO	4-1 thru 4-30	CS
2-1 thru 2-22	CO	5-1 thru 5-20	CS
3-1 thru 3-4	CO	6-1 thru 6-42	CS
4-1 thru 4-18	CO	X-1 thru X-4	CS
5-1 thru 5-14	CO	APPENDIX CF	
6-1 thru 6-30	CO	COV-1 thru COV-2	CT
X-1 thru X-4	CO	IND-1 thru IND-6	CT
APPENDIX CB		1-1 thru 1-2	CT
COV-1 thru COV-2	CP	2-1 thru 2-20	CT
IND-1 thru IND-6	CP	3-1 thru 3-6	CT
1-1 thru 1-2	CP	4-1 thru 4-18	CT
2-1 thru 2-22	CP	5-1 thru 5-8	CT
3-1 thru 3-4	CP	6-1 thru 6-32	CT
4-1 thru 4-18	CP	X-1 thru X-4	CT
5-1 thru 5-14	CP		
6-1 thru 6-30	CP		



MECAER AVIATION GROUP (MAG) S.p.A.

TECHNICAL MANUAL RECOMMENDED CHANGE REPORT

This manual has been prepared and distributed by the Technical Publications Department and is intended for use by personnel responsible for the maintenance of MAG Helicopters and Products. Periodic revision of this manual will be made to incorporate the latest information. If, in the opinion of the reader, any information has been omitted or requires clarification, please direct your comments to this office via this form (or a duplicate). An endeavor will be made to include such information in future revisions.

M.A.G. Mecaer Aviation Group S.p.A.
Via dell'Artigianato, V Traversa n°1
63076 Monteprandone (AP) - ITALY.

Technical Publications Department - E-Mail: publications@mecaer.com; FAX: (+39) 0735 709 369.

Date: _____
Originator: _____
Address: _____

E-Mail: _____

Manual No. / Title: _____ Page Number(s): _____
Chapter Title: _____ Paragraph Number(s): _____
ATA Section Number: _____ Step Number(s): _____
Issue Date: _____ Figure Number(s): _____
Revision No. and Date: _____ Table Number(s): _____

Remarks / Instructions: _____



INTENTIONALLY BLANK PAGE



SERVICE BULLETINS LIST

NUMBER	REV	DATE	SUBJECT	NOTE
SB-AB1-012 Part II		20 December 2012	Retrofit for IFEEL system installation P/N 6AB1KT025-033, primary cable assy reworking.	



INTENTIONALLY BLANK PAGE



TEMPORARY REVISIONS RECORD

TEMP. REV. No.	INSERTED		REMOVED BY INCORPORATING
	DATE	BY	
TR 2011-001	29 July 2011		First Issue, Rev. H
TR 2014-001	21 March 2014		First Issue, Rev. AS
TR 2014-002	25 September 2014		First Issue, Rev. AV
TR 2015-001	14 October 2015		First Issue, Rev. BH
TR 2018-001	02 February 2018		First Issue, Rev. BX
TR 2020-001	21 September 2020		First Issue, Rev. CO
TR 2021-002	07 May 2021		First Issue, Rev. CS



INTENTIONALLY BLANK PAGE



TECHNICAL MANUAL INDEX TABLE OF CONTENT

Number \ Title	Page Number
SECTION 1 - INTRODUCTION.....	1 - 1
APPENDIX A	
IFEEEL INSTALLATION CONFIGURATION P/N 6AB1AD016-031	A
APPENDIX B	
IFEEEL INSTALLATION CONFIGURATION P/N 6AB1AD016-035	A
APPENDIX C	
IFEEEL INSTALLATION CONFIGURATIONS P/N 6AB1AD016-033, P/N 6AB1AD016-047 AND 6AB1KT025-031, 6AB1KT025-035, 6AB1KT025-049, 6AB1KT025-055, 6AB1KT025-059, 6AB1KT025-063, 6AB1KT025-071, 6AB1KT025-079 AND 6AB1KT025-441	A
APPENDIX D	
IFEEEL INSTALLATION CONFIGURATION P/N 6AB1AD016-037	A
APPENDIX E	
IFEEEL INSTALLATION CONFIGURATION P/N 6AB1AD016-039	A
APPENDIX F	
IFEEEL INSTALLATION CONFIGURATION P/N 6AB1AD016-041 AND P/N 6AB1KT025-067	A
APPENDIX G	
IFEEEL INSTALLATION CONFIGURATION P/N 6AB1AD016-043	A
APPENDIX H	
IFEEEL INSTALLATION CONFIGURATION P/N 6AB1AD016-045	A
APPENDIX I	
IFEEEL INSTALLATION CONFIGURATION P/N 6AB1AD016-049	A
APPENDIX J	
IFEEEL INSTALLATION CONFIGURATION P/N 6AB1AD016-051	A
APPENDIX K	
IFEEEL INSTALLATION CONFIGURATION P/N 6AB1AD016-055	A
APPENDIX L	
IFEEEL INSTALLATION CONFIGURATION P/N 6AB1AD016-053	A
APPENDIX M	
IFEEEL INSTALLATION CONFIGURATION P/N 6AB1KT025-033	A
APPENDIX N	
IFEEEL INSTALLATION CONFIGURATION P/N 6AB1KT025-037, P/N 6AB1KT025-041	A
APPENDIX O	
IFEEEL INSTALLATION CONFIGURATION P/N 6AB1KT025-047	A
APPENDIX P	
IFEEEL INSTALLATION CONFIGURATION P/N 6AB1KT025-039	A
APPENDIX Q	
IFEEEL INSTALLATION CONFIGURATION P/N 6AB1KT025-043	A
APPENDIX R	
IFEEEL INSTALLATION CONFIGURATION P/N 6AB1KT025-057	A
APPENDIX S	
IFEEEL INSTALLATION CONFIGURATION P/N 6AB1KT025-051	A
APPENDIX T	
IFEEEL INSTALLATION CONFIGURATION P/N 6AB1KT025-053	A
APPENDIX U	
IFEEEL INSTALLATION CONFIGURATION P/N 6AB1KT025-061, P/N 6AB1KT025-235	A
APPENDIX V	
IFEEEL INSTALLATION CONFIGURATION P/N 6AB1KT025-065	A
APPENDIX W	
IFEEEL INSTALLATION CONFIGURATION P/N 6AB1KT025-069	A
APPENDIX X	
IFEEEL INSTALLATION CONFIGURATION P/N 6AB1KT025-073	A
APPENDIX Y	
IFEEEL INSTALLATION CONFIGURATION P/N 6AB1KT025-077	A
APPENDIX Z	
IFEEEL INSTALLATION CONFIGURATION P/N 6AB1KT025-075	A
APPENDIX AA	
IFEEEL INSTALLATION CONFIGURATION P/N 6AB1KT025-237	A



APPENDIX AB	
IFEEL INSTALLATION CONFIGURATION P/N 6AB1KT025-231	A
APPENDIX AC	
IFEEL INSTALLATION CONFIGURATION P/N 6AB1KT025-233	A
APPENDIX AD	
IFEEL INSTALLATION CONFIGURATION P/N 6AB1KT025-243	A
APPENDIX AE	
IFEEL INSTALLATION CONFIGURATION P/N 6AB1KT025-239	A
APPENDIX AF	
IFEEL INSTALLATION CONFIGURATION P/N 6AB1KT025-241	A
APPENDIX AG	
IFEEL INSTALLATION CONFIGURATION P/N 6AB1KT025-245	A
APPENDIX AH	
IFEEL INSTALLATION CONFIGURATION P/N 6AB1KT025-247	A
APPENDIX AI	
IFEEL INSTALLATION CONFIGURATION P/N 6AB1KT025-249	A
APPENDIX AJ	
IFEEL INSTALLATION CONFIGURATION P/N 6AB1KT025-257	A
APPENDIX AK	
IFEEL INSTALLATION CONFIGURATION P/N 6AB1KT025-255	A
APPENDIX AL	
IFEEL INSTALLATION CONFIGURATION P/N 6AB1KT025-259	A
APPENDIX AM	
IFEEL INSTALLATION CONFIGURATION P/N 6AB1KT025-261	A
APPENDIX AN	
IFEEL INSTALLATION CONFIGURATION P/N 6AB1KT025-265	A
APPENDIX AO	
IFEEL INSTALLATION CONFIGURATION P/N 6AB1KT025-263	A
APPENDIX AP	
IFEEL INSTALLATION CONFIGURATION P/N 6AB1KT025-267	A
APPENDIX AQ	
IFEEL INSTALLATION CONFIGURATION P/N 6AB1KT025-269	A
APPENDIX AR	
IFEEL INSTALLATION CONFIGURATION P/N 6AB1KT025-273	A
APPENDIX AS	
IFEEL INSTALLATION CONFIGURATION P/N 6AB1KT025-275	A
APPENDIX AT	
IFEEL INSTALLATION CONFIGURATION P/N 6AB1KT025-279	A
APPENDIX AU	
IFEEL INSTALLATION CONFIGURATION P/N 6AB1KT025-277	A
APPENDIX AV	
IFEEL INSTALLATION CONFIGURATION P/N 6AB1KT025-271	A
APPENDIX AW	
IFEEL INSTALLATION CONFIGURATION P/N 6AB1KT025-431	A
APPENDIX AX	
IFEEL INSTALLATION CONFIGURATION P/N 6AB1KT025-435	A
APPENDIX AY	
IFEEL INSTALLATION CONFIGURATION P/N 6AB1KT025-437	A
APPENDIX AZ	
IFEEL INSTALLATION CONFIGURATION P/N 6AB1KT025-439	A
APPENDIX BA	
IFEEL INSTALLATION CONFIGURATION P/N 6AB1KT025-445	A
APPENDIX BB	
IFEEL INSTALLATION CONFIGURATION P/N 6AB1KT025-453	A
APPENDIX BC	
IFEEL INSTALLATION CONFIGURATION P/N 6AB1KT025-447	A
APPENDIX BD	
IFEEL INSTALLATION CONFIGURATION P/N 6AB1KT025-449	A



APPENDIX BE	
IFEEL INSTALLATION CONFIGURATION P/N 6AB1KT025-445	A
APPENDIX BF	
IFEEL INSTALLATION CONFIGURATION P/N 6AB1KT025-461	A
APPENDIX BG	
IFEEL INSTALLATION CONFIGURATION P/N 6AB1KT025-459	A
APPENDIX BH	
IFEEL INSTALLATION CONFIGURATION P/N 6AB1KT025-463	A
APPENDIX BI	
IFEEL INSTALLATION CONFIGURATION P/N 6AB1KT025-465	A
APPENDIX BJ	
IFEEL INSTALLATION CONFIGURATION P/N 6AB1KT025-469	A
APPENDIX BK	
IFEEL INSTALLATION CONFIGURATION P/N 6AB1KT025-471	A
APPENDIX BL	
IFEEL INSTALLATION CONFIGURATION P/N 6AB1KT025-467	A
APPENDIX BM	
IFEEL INSTALLATION CONFIGURATION P/N 6AB1KT025-473	A
APPENDIX BN	
IFEEL INSTALLATION CONFIGURATION P/N 6AB1KT025-475	A
APPENDIX BO	
IFEEL INSTALLATION CONFIGURATION P/N 6AB1KT025-477	A
APPENDIX BP	
IFEEL INSTALLATION CONFIGURATION P/N 6AB1KT025-479	A
APPENDIX BQ	
IFEEL INSTALLATION CONFIGURATION P/N 6AB1KT025-633	A
APPENDIX BR	
IFEEL INSTALLATION CONFIGURATION P/N 6AB1KT025-631	A
APPENDIX BS	
IFEEL INSTALLATION CONFIGURATION P/N 6AB1KT025-635	A
APPENDIX BT	
IFEEL INSTALLATION CONFIGURATION P/N 6AB1KT025-637	A
APPENDIX BU	
IFEEL INSTALLATION CONFIGURATION P/N 6AB1KT025-483	A
APPENDIX BV	
IFEEL INSTALLATION CONFIGURATION P/N 6AB1KT025-639	A
APPENDIX BW	
IFEEL INSTALLATION CONFIGURATION P/N 6AB1KT025-641	A
APPENDIX BX	
IFEEL INSTALLATION CONFIGURATION P/N 6AB1KT025-643	A
APPENDIX BY	
IFEEL INSTALLATION CONFIGURATION P/N 6AB1KT025-647	A
APPENDIX BZ	
IFEEL INSTALLATION CONFIGURATION P/N 6AB1KT025-645	A
APPENDIX CA	
IFEEL INSTALLATION CONFIGURATION P/N 6AB1KT025-649	A
APPENDIX CB	
IFEEL INSTALLATION CONFIGURATION P/N 6AB1KT025-651	A
APPENDIX CC	
IFEEL INSTALLATION CONFIGURATION P/N 6AB1KT025-653	A
APPENDIX CD	
IFEEL INSTALLATION CONFIGURATION P/N 6AB1KT025-655	A
APPENDIX CE	
IFEEL INSTALLATION CONFIGURATION P/N 6AB1KT025-657	A
APPENDIX CF	
IFEEL INSTALLATION CONFIGURATION P/N 6AB1KT025-457	A



INTENTIONALLY BLANK PAGE



SECTION 1

INTRODUCTION

INTRODUCTION	1-1
1 - 1 Scope	1-1
1 - 2 IFEEL Configuration	1-1
1 - 3 Content	1-2
1 - 4 Limitations.....	1-4
1 - 5 Markings and Placards	1-4
1 - 6 Change symbols	1-4
1 - 7 Definition of WARNING - CAUTION - NOTE.....	1-4
1 - 8 Further copies or amendments procurement.....	1-4
1 - 9 Occurrence reporting	1-5
1 - 10 Consumable materials	1-5
1 - 11 Standard practices.....	1-8
1 - 12 Glossary.....	1-8
1 - 13 Certifications	1-9



INTENTIONALLY BLANK PAGE



SECTION 1 INTRODUCTION

1 - 1 SCOPE

This manual has been issued to provide information for the installation and maintenance of IFEEL Entertainment System Installation P/N 6AB1AD016-001 for Leonardo AB139 and AW139 helicopters.

NOTE

For maintenance information of Leonardo Helicopters installations and or parts called out or referred to the Manual, refer to Leonardo Helicopters AW139 IETP.

1 - 2 IFEEL CONFIGURATION

IFEEL Installation P/N 6AB1AD016-001 is constituted by the following alternative configurations:

- 6AB1AD016-031.
- 6AB1AD016-035.
- 6AB1AD016-033.
- 6AB1AD016-037.
- 6AB1AD016-039.
- 6AB1AD016-041.
- 6AB1AD016-043.
- 6AB1AD016-045.
- 6AB1AD016-049.
- 6AB1AD016-047.
- 6AB1AD016-051.
- 6AB1AD016-055.
- 6AB1AD016-053.
- 6AB1KT025-033.
- 6AB1KT025-037.
- 6AB1KT025-047.
- 6AB1KT025-031.
- 6AB1KT025-035.
- 6AB1KT025-039.
- 6AB1KT025-043.
- 6AB1KT025-057.
- 6AB1KT025-049.
- 6AB1KT025-041.
- 6AB1KT025-051.
- 6AB1KT025-055.
- 6AB1KT025-053.
- 6AB1KT025-059.
- 6AB1KT025-061.
- 6AB1KT025-063.
- 6AB1KT025-067.
- 6AB1KT025-065.
- 6AB1KT025-071.
- 6AB1KT025-079.
- 6AB1KT025-235.
- 6AB1KT025-069.
- 6AB1KT025-073.
- 6AB1KT025-075.
- 6AB1KT025-237.
- 6AB1KT025-231.
- 6AB1KT025-233.
- 6AB1KT025-243.
- 6AB1KT025-239.
- 6AB1KT025-241.
- 6AB1KT025-245.
- 6AB1KT025-247.
- 6AB1KT025-249.
- 6AB1KT025-257.
- 6AB1KT025-255.
- 6AB1KT025-259.

- 6AB1KT025-261.
- 6AB1KT025-265.
- 6AB1KT025-263.
- 6AB1KT025-267.
- 6AB1KT025-269.
- 6AB1KT025-273.
- 6AB1KT025-275.
- 6AB1KT025-279.
- 6AB1KT025-277.
- 6AB1KT025-271.
- 6AB1KT025-431.
- 6AB1KT025-435.
- 6AB1KT025-437.
- 6AB1KT025-439.
- 6AB1KT025-441.
- 6AB1KT025-445.
- 6AB1KT025-453.
- 6AB1KT025-447.
- 6AB1KT025-449.
- 6AB1KT025-445.
- 6AB1KT025-461.
- 6AB1KT025-459.
- 6AB1KT025-463.
- 6AB1KT025-465.
- 6AB1KT025-469.
- 6AB1KT025-471.
- 6AB1KT025-467.
- 6AB1KT025-473.
- 6AB1KT025-475.
- 6AB1KT025-477.
- 6AB1KT025-479.
- 6AB1KT025-633.
- 6AB1KT025-631.
- 6AB1KT025-635.
- 6AB1KT025-637.
- 6AB1KT025-483.
- 6AB1KT025-639.
- 6AB1KT025-641.
- 6AB1KT025-643.
- 6AB1KT025-647.
- 6AB1KT025-645.
- 6AB1KT025-649.
- 6AB1KT025-651.
- 6AB1KT025-653.
- 6AB1KT025-655.
- 6AB1KT025-657.
- 6AB1KT025-457.

1 - 3 CONTENT

This manual contains general instructions which are applicable to all IFEEL Installation configurations and sixteen appendixes containing airworthiness instructions related to specified configurations, as listed as follows:

- SECTION 1 - Introduction: general instructions and certifications;
- Appendix A: detailed information for IFEEL Installation configuration P/N 6AB1AD016-031.
- Appendix B: detailed information for IFEEL Installation configuration P/N 6AB1AD016-035.
- Appendix C: detailed information for IFEEL Installation configurations P/N 6AB1AD016-033, P/N 6AB1AD016-047, P/N 6AB1KT025-031, P/N 6AB1KT025-049, P/N 6AB1KT025-055, P/N 6AB1KT025-059, P/N 6AB1KT025-063, P/N 6AB1KT025-071, 6AB1KT025-079 and 6AB1KT025-441.
- Appendix D: detailed information for IFEEL Installation configuration P/N 6AB1AD016-037.
- Appendix E: detailed information for IFEEL Installation configuration P/N 6AB1AD016-039.
- Appendix F: detailed information for IFEEL Installation configuration P/N 6AB1AD016-041 and P/N 6AB1KT025-067.
- Appendix G: detailed information for IFEEL Installation configuration P/N 6AB1AD016-043.



- Appendix BP: detailed information for IFEEL Installation configuration P/N 6AB1KT025-481.
- Appendix BQ: detailed information for IFEEL Installation configuration P/N 6AB1KT025-633.
- Appendix BR: detailed information for IFEEL Installation configuration P/N 6AB1KT025-631.
- Appendix BS: detailed information for IFEEL Installation configuration P/N 6AB1KT025-635.
- Appendix BT: detailed information for IFEEL Installation configuration P/N 6AB1KT025-637.
- Appendix BU: detailed information for IFEEL Installation configuration P/N 6AB1KT025-483.
- Appendix BV: detailed information for IFEEL Installation configuration P/N 6AB1KT025-639.
- Appendix BW: detailed information for IFEEL Installation configuration P/N 6AB1KT025-641.
- Appendix BX: detailed information for IFEEL Installation configuration P/N 6AB1KT025-643.
- Appendix BY: detailed information for IFEEL Installation configuration P/N 6AB1KT025-647.
- Appendix BZ: detailed information for IFEEL Installation configuration P/N 6AB1KT025-645.
- Appendix CA: detailed information for IFEEL Installation configuration P/N 6AB1KT025-649.
- Appendix CB: detailed information for IFEEL Installation configuration P/N 6AB1KT025-651.
- Appendix CC: detailed information for IFEEL Installation configuration P/N 6AB1KT025-653.
- Appendix CD: detailed information for IFEEL Installation configuration P/N 6AB1KT025-655.
- Appendix CE: detailed information for IFEEL Installation configuration P/N 6AB1KT025-657.
- Appendix CF: detailed information for IFEEL Installation configuration P/N 6AB1KT025-457.

Exhaustive information necessary for the installation and maintenance of a specific configuration are included into the general instructions plus the relevant appendix.

1 - 4 LIMITATIONS

Not applicable.

1 - 5 MARKINGS AND PLACARDS

The placards on the passenger cabin, relevant to this installation, are usually in English. However, depending on national regulations, markings and placards may be also provided in the local language. Markings and placards language different from English language is a courtesy translation; in case of doubt, English language shall prevail.

1 - 6 CHANGE SYMBOLS

Changed text is indicated by a black vertical line in external margin of the page, adjacent to the affected text. The change symbol identifies the addition of either new information, a changed procedure, the correction of an error or a rephrasing of the previous information.

If a page of a Section is revised then all the pages in that section are given the revision field, in the footer, changed, even if they have no changes.

1 - 7 DEFINITION OF WARNING - CAUTION - NOTE

An operating procedure, or practice, or condition, etc., which if not strictly observed could result in personal injury or loss of life.

CAUTION

An operating procedure, or practice, or condition, etc., which if not strictly observed could result in damage to, or destruction of the equipment.

NOTE

An operating procedure, or practice, or condition, etc., which is essential to highlight.

1 - 8 FURTHER COPIES OR AMENDMENTS PROCUREMENT

Operators may obtain copies of this or other M.A.G. publications contacting M.A.G. S.p.A. This manual is subject to revisions and changes which will be automatically distributed to all holders of the same. To avoid mistakes or misunderstandings, operators are requested to insert changes in the manual immediately upon receipt and to destroy the old manual whenever a new issue is distributed.

Eventual discrepancies, and/or suggestions for improvement of publication content, must be reported to:

M.A.G. Mecaer Aviation Group S.p.A.

Via dell'Artigianato V traversa n°1 - 63076 Centobuchi di Montepandone (AP) - ITALY

Technical Publication Department - e-mail: publications@mecaer.com.

1 - 9 OCCURRENCE REPORTING

Attached here below is the "Occurrence Information Record" form and the relevant instructions to be used for occurrence reporting. It should be used as main tool in order to notify any occurrence (malfunctions, defects, parts replacement, etc...) on products.

1 - 10 CONSUMABLE MATERIALS

The consumable materials necessary for the installations and maintenance of the systems and components are listed on the various appendices.

WARNING

Before using consumable materials, make sure that you read the warnings, directions for use and handling and first aid instructions printed on the label on the container and in the material safety data sheet. Refer to the local safety regulations.

WARNING

When necessary, during the use and handling of consumable materials, wear protective clothing. If a consumable material is flammable or explosive ensure that the material and its vapors are kept away from sources of heat, sparks and flame.



		<h2 style="margin: 0;">OCCURRENCE INFORMATION RECORD</h2>		⁽⁴⁾ Control Number(MAG reserved): ⁽⁵⁾ Date of reporting:	
⁽¹⁾ REPORTING ORGANIZATION (company name, address, telephone number and e-mail)			Submit to: MECAER AVIATION GROUP <i>Continued Airworthiness</i> <i>Office of Airworthiness</i> Via dell'Artigianato, V° traversa, n. 1 63076 Monteprandone (AP) - Italy Ph: +39 0735 7091 Fax: +39 0735 709369 E-mail: occurrences@mecaer.com		
⁽²⁾ Company Approval Reference (if any)			⁽³⁾ Name of submitter		
⁽⁶⁾ PRODUCT					
^(6.1) Manufacturer and A/C Type Model:		⁽⁸⁾ FINDING	^(8.1) DATE		
^(6.2) Serial Number:		^(8.1) LOCATION			
^(6.3) Aircraft Registration Number:		^(8.2) ATA CHAPTER			
^(6.4) Operator/Owner:		^(8.3) DETECTION PHASE (e.g. flight, take off, landing, scheduled/not scheduled maintenance, taxi)			
^(6.5) Total Time at occurrence:					
^(6.6) Usage details					
⁽⁷⁾ PART AFFECTED		⁽⁹⁾ NEXT ASSY			
^(7.1) Denomination		^(9.1) Denomination			
^(7.1) P/N		^(9.1) P/N			
^(7.1) S/N		^(9.1) S/N			
^(7.2) Manufacturer		^(9.2) Manufacturer			
^(7.3) Total Time at occurrence:		^(9.3) Total Time at occurrence:			
^(7.4) Last Overhaul Total Time and Date		^(9.4) Last Overhaul Total Time and Date			
⁽¹⁰⁾ Narrative					
⁽¹¹⁾ Supposed cause					
⁽¹²⁾ OCCURRENCE ATTACHMENTS		<hr/> <hr/> <hr/>			
IN CASE THE OCCURRENCE REPORTED CONCERNS A DEFECTIVE PART DISCARDED FROM SERVICE BEFORE SCHEDULED REPLACEMENT, SEND IT TO MAG FOR ANALYSIS.					

INSTRUCTION TO FILL MOD-DOA-OIR-001

1. **Reporting Organization** - Name of the reporting organization or person (mandatory field).
2. **Company Approval Reference** - EASA Approval Reference of the reporting organization, when relevant: e.g. **EASA.21J.xxxx**, **EASA.45.xxxx** - or a national Approval Reference of the reporting organization.
3. **Name of submitter** - The point of contact within the reporting organization for this occurrence.
4. **Control Number** - Internal reference number for this occurrence (field reserved to MAG)
5. **Date of reporting** - The date of the present occurrence report.
6. **Product Information:** This block contains information on the product (aircraft) involved.
 - 6.1. **Manufacturer and A/C Type Model** - insert details about aircraft .
 - 6.2. **Serial number** - The serial number of the aircraft.
 - 6.3. **Aircraft Registration** - If the aircraft is registered then this mark will be the registration mark. If the aircraft is not registered then this will be such a mark that is accepted by the competent authority.
 - 6.4. **Operator/Owner** -The name of the Operator or the owner of the involved aircraft, if applicable.
 - 6.5. **Total Time at occurrence** - Total time (hours). The total time is the elapsed calendar time in hours since new.
 - 6.6. **Usage Details**- This block should contain information on the usage details of the aircraft .
7. **Part Affected:** This block contains information on the part involved.
 - 7.1. **Denomination, P/N and S/N** - details of the part affected by the occurrence.
 - 7.2. **Manufacturer:** The name and country of the part manufacturer (if different from MAG).
 - 7.3. **Total Time at occurrence** - total time (hours). The total time is the elapsed calendar time in hours since new.
 - 7.4. **Last Overhaul Total Time and Date** - Insert the hours recorded at the last overhaul of the part affected and the date.
8. **Finding:** This block contains information on the occurrence finding.
 - 8.1. **Date & Location** - details of the occurrence reported.
 - 8.2. **ATA Chapter** - The ATA Chapter (2 digits) describing which area predominantly contributes to the occurrence. A list of ATA Chapters is provided in Appendix.
 - 8.3. **Detection phase:** Insert in which phase the occurrence has been detected
 - Manufacturing: The occurrence took place / the finding was made during manufacturing process
 - Scheduled Maintenance: The occurrence took place / the finding was made during scheduled maintenance.
 - Non-scheduled Maintenance: The occurrence took place / the finding was made during unscheduled maintenance.
 - Standing: The occurrence took place when the aircraft was standing, e.g. during ground handling or while parked.
 - Taxi: The occurrence took place when the aircraft was taxiing to or from the runway.
 - Take-off: The occurrence took place when the aircraft was taking off.
 - Climb: The occurrence took place when the aircraft was climbing to cruise level.
 - En-route: The occurrence took place when the aircraft was flying at cruising level.
 - Descent: The occurrence took place when the aircraft was descending from cruising level.
 - Approach: The occurrence took place when the aircraft was on approach to an airport.
 - Landing: The occurrence took place when the aircraft was landing.
 - Hovering: Flight phase to be used for helicopters when hovering.
 - Manoeuvring: The occurrence took place when the aircraft was performing manoeuvres, such as e.g. aerobatic flights, aerial spraying.
 - Unknown: The detection phase is not known.
 - Other, Specify: In case the detection phase is not mentioned above, the relevant phase can be specified here.
9. **Next Assy:** This block contains information on the next assy of the affected part.
 - 9.1. **Denomination, P/N and S/N** - details of the part affected by the occurrence.
 - 9.2. **Manufacturer:**The name and country of the part manufacturer (if different from MAG).
 - 9.3. **Total Time at occurrence** - total time (hours). The total time is the elapsed calendar time in hours since new.
 - 9.4. **Last Overhaul Total Time and Date** - Insert the hours recorded at the last overhaul of the next assy of affected part and the date.
10. **Occurrence Description / Narrative** - Provide here a description of what happened or a description of the finding.
11. **Occurrence Description / Supposed Cause** - If the Reporting Organization found some evidence that could allow the identification of the occurrence cause, provide here these details and the hypothetical origin.
12. **Occurrence Attachments:** List here the type (report, photo, etc.) and name (description of content) of all attachments provided. The associated file(s) should be provided as attachments to the email sending the occurrence report.



1 - 11 STANDARD PRACTICES

Refer to Leonardo Helicopters AW139-IETP.

1 - 12 GLOSSARY

Abbreviation

AC	Alternating Current
A, Amp	Ampere
CKPT	Cockpit
cm	Centimeter
CTR	Center
DC	Direct Current
FWD	Forward
GND	Ground
HD	Hard Disc
HI	High
HMI	Human Machine Interface
Hz	Hertz
ICS	Intercommunication System
IFEEL	In Flight Entertainment Enhanced Lounge
in	Inch
Kg	Kilogram
lb	Pound
lbf	Pound Force
LCD	Liquid Cristal Display
LH	Left
LO	Low
m	Meter
MIC	Microphone
PSU	Passenger Service Unit
PWR	Power
RH	Right
V	Volt
W	Watt



1 - 13 CERTIFICATIONS

This IFEEL Installation P/N 6AB1AD016-001 is approved by EASA with Supplemental Type Certificate No. 10031938.

IFEEL Installation configuration have been approved as follows:

CONFIGURATION P/N	AUTHORITY APPROVAL No.	DOA APPROVAL No.
6AB1AD016-031	EASA STC No. 10031938	AS-NDC/10/022
6AB1AD016-035		AS-NDC/11/002
6AB1AD016-033		AS-NDC/11/007
6AB1AD016-037		AS-NDC/11/014
6AB1AD016-039		AS-NDC/11/016
6AB1AD016-041		AS-NDC/11/021
6AB1AD016-043		AS-NDC/11/024
6AB1AD016-045		AS-NDC/11/036
6AB1AD016-049		AS-NDC/11/040
6AB1AD016-047		AS-NDC/11/046
6AB1AD016-051		AS-NDC/11/048
6AB1AD016-055		AS-NDC/12/006
6AB1AD016-053		AS-NDC/12/012
6AB1KT025-033		AS-NDC/12/014
6AB1KT025-037		AS-NDC/12/024
6AB1KT025-047		AS-NDC/12/026
6AB1KT025-031		AS-NDC/12/031
6AB1KT025-035		AS-NDC/12/036
6AB1KT025-039		AS-NDC/12/038
6AB1KT025-043		AS-NDC/12/046
6AB1KT025-057		AS-NDC/12/049
6AB1KT025-049		AS-NDC/12/057
6AB1KT025-041		AS-NDC/12/061
6AB1KT025-051		AS-NDC/12/059
6AB1KT025-055		AS-NDC/12/063
6AB1KT025-053		AS-NDC/12/069
6AB1KT025-059		AS-NDC/13/002
6AB1KT025-061		AS-NDC/13/003
6AB1KT025-063		AS-NDC/13/015
6AB1KT025-067		AS-NDC/13/018
6AB1KT025-065		AS-NDC/13/024
6AB1KT025-071		AS-NDC/13/027
6AB1KT025-079		AS-NDC/13/036
6AB1KT025-235		AS-NDC/13/039
6AB1KT025-069		AS-NDC/13/041
6AB1KT025-073		AS-NDC/13/047
6AB1KT025-077		AS-NDC/13/049
6AB1KT025-075		AS-NDC/13/053
6AB1KT025-237		AS-NDC/13/064
6AB1KT025-231		AS-NDC/13/069
6AB1KT025-233		AS-NDC/13/079
6AB1KT025-243		AS-NDC/13/083
6AB1KT025-239		AS-NDC/14/011
6AB1KT025-241		AS-NDC/14/021
6AB1KT025-245		AS-NDC/14/033
6AB1KT025-247		AS-NDC/14/061
6AB1KT025-249		AS-NDC/14/070
6AB1KT025-257		AS-NDC/14/081



CONFIGURATION P/N	AUTHORITY APPROVAL No.	DOA APPROVAL No.
6AB1KT025-255		AS-NDC/14/083
6AB1KT025-259		AS-NDC/15/004
6AB1KT025-261		AS-NDC/15/017
6AB1KT025-265		AS-NDC/15/020
6AB1KT025-263		AS-NDC/15/022
6AB1KT025-267		AS-NDC/15/039
6AB1KT025-269		AS-NDC/15/045
6AB1KT025-273		AS-NDC/15/050
6AB1KT025-275		AS-NDC/15/053
6AB1KT025-279		AS-NDC/15/055
6AB1KT025-277		AS-NDC/15/059
6AB1KT025-271		AS-NDC/15/073
6AB1KT025-431		AS-NDC/15/077
6AB1KT025-435		AS-NDC/15/084
6AB1KT025-437		AS-NDC-16-025
6AB1KT025-439		AS-NDC-16-030
6AB1KT025-441		AS-NDC-16-052
6AB1KT025-445		AS-NDC-17-005
6AB1KT025-453		AS-NDC-17-010
6AB1KT025-447		AS-NDC-17-018
6AB1KT025-449		AS-NDC-17-020
6AB1KT025-445		AS-NDC-17-024
6AB1KT025-461		AS-NDC-17-030
6AB1KT025-459		AS-NDC-17-032
6AB1KT025-463		AS-NDC-17-038
6AB1KT025-465		AS-NDC-17-040
6AB1KT025-469		AS-NDC-18-008
6AB1KT025-471		AS-NDC-18-011
6AB1KT025-467		AS-NDC-18-014
6AB1KT025-473		AS-NDC-18-025
6AB1KT025-475		AS-NDC-18-027
6AB1KT025-477		AS-NDC-18-045
6AB1KT025-479		AS-NDC-19-014
6AB1KT025-633		AS-NDC-19-016
6AB1KT025-631		AS-NDC-19-024
6AB1KT025-635		AS-NDC-19-031
6AB1KT025-637		AS-NDC-19-037
6AB1KT025-483		AS-NDC-19-018
6AB1KT025-639		AS-NDC-19-042
6AB1KT025-641		AS-NDC-19-047
6AB1KT025-643		AS-NDC-19-053
6AB1KT025-647		AS-NDC-20-010
6AB1KT025-645		AS-NDC-20-014
6AB1KT025-649		AS-NDC-20-031
6AB1KT025-651		AS-NDC-20-033
6AB1KT025-653		AS-NDC-20-036
6AB1KT025-655		AS-NDC-21-012
6AB1KT025-657		AS-NDC-21-020
6AB1KT025-457		AS-TDC-2017-045



European Aviation Safety Agency

SUPPLEMENTAL TYPE CERTIFICATE

10031938

This Supplemental Type Certificate is issued by EASA, acting in accordance with Regulation (EC) No. 216/2008 on behalf of the European Community, its Member States and of the European third countries that participate in the activities of EASA under Article 66 of that Regulation and in accordance with Commission Regulation (EC) No. 1702/2003 to

MECAER AVIATION GROUP S.P.A.
VIA DELL' ARTIGIANATO, 1
63033 MONTEPRANDONE (AP)
ITALY

and certifies that the change in the type design for the product listed below with the limitations and conditions specified meets the applicable Type Certification Basis and environmental protection requirements when operated within the conditions and limitations specified below:

Original Product TC Number: EASA.R.006
TC Holder: AGUSTA S.P.A.
Model: AW139 / AB139

EASA Certification Basis:

The Certification Basis for the original product remains applicable to this certificate/ approval.

Description of Design Change:

IFEEL Entertainment System Installation P/N 6AB1AD016-001

Associated Technical Documentation:

- 6AB1RAD-176 Rev. C "IFEEL System Description
- 6AB1WNM-2-20A Rev. A "IFEEL Owner's Manual
or later revisions of the above listed documents approved by EASA

Limitations:

none


Conditions:

Prior to installation of this modification it must be determined that the interrelationship between this modification and any other previously installed modification and/or repair will introduce no adverse effect upon the airworthiness of the product.

This Certificate shall remain valid unless otherwise surrendered or revoked.

For the European Aviation Safety Agency,

Date of issue: 23.09.2010


Massimo MAZZOLETTI
Certification Manager
Rotorcraft, Balloons, Airships

Note:
The following numbers are listed on the certificate:
EASA current Project Number: 0010003977-001

SUPPLEMENTAL TYPE CERTIFICATE - 10031938 - MECAER AVIATION GROUP S.P.A.

EASA Form 91, Issue 3 - 11/11/2009



Mecaer Aviation Group S.p.A.

Via dell'Artigianato, V° traversa, 1

63076 Centobuchi di Montepandone (AP) ITALY

Phone: +39 (0)735 7091; Fax: +39 (0)735 701927

E-mail: info@mecaer.com; Web: <http://www.mecaer.com>