



CT7-2E INCREMENTAL CHANGE

Release Notification Date: 05/13/2021

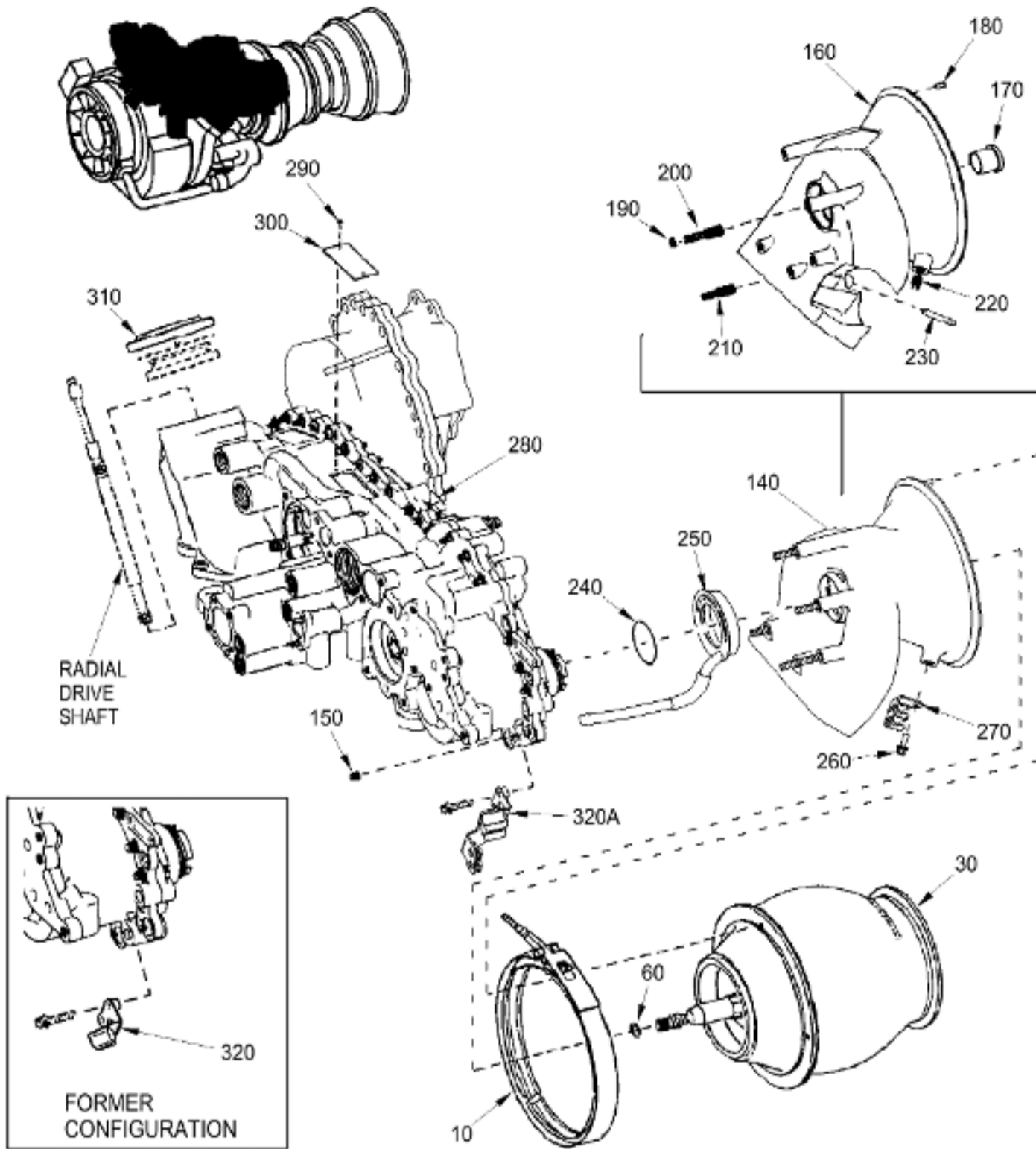
IPC 72-60-00 FIG. 01 ACCESSORY SECTION MODULE

**GE Designated: -CONFIDENTIAL-**

The information contained in this document is GE proprietary information and is disclosed in confidence. It is the property of GE and shall not be used, disclosed to others or reproduced without the express written consent of GE, including, but without limitation, it is not to be used in the creation, manufacture, development, or derivation of any repairs, modifications, spare parts, designs, or configuration changes or to obtain FAA or any other government or regulatory approval to do so. If consent is given for reproduction in whole or in part, this notice and the notice set forth on each page of this document shall appear in any such reproduction in whole or part.

This technical data is considered subject to the Export Administration Regulations (EAR) pursuant to 15 CFR Parts 730-774. Transfer of this data by any means to a Non-U.S. Person, whether in the United States or abroad, without the proper U.S. Government authorization (e.g., License, exemption, NLR, etc.), is strictly prohibited.

Copyright (2021) General Electric Company, U.S.A.



1300476-01

ACCESSORY SECTION MODULE  
 Figure 01

ITEM	PART NUMBER	NOMENCLATURE	USAGE CODE	UNITS PER ASSY
- 001	NHA	1234567 ACCESSORY MODULE SECTION SIN 29900 SEE 72-00-00-01-110 FOR NHA		RF
010	4042T36P02	. COUPLING ASSY-V-BAND SIN 70080 REPL BY 4135T12P02	a	1
- 010A	5056T10P01	. COUPLING-V-BAND SIN 70080 DEL BY SB 72-0023	a	ALT
- 010B	4135T12P02	. COUPLING ASSY-V-BAND SIN 70080 POST SB 72-0023 REPLS 4042T36P02		1
030	6034T62P18	. BLOWER-PARTICLE SEPARATOR SIN 70000 REPL BY 6034T62P19	a	1
- 030A	6034T62P19	. BLOWER-PARTICLE SEPARATOR	b	1

		SIN 70000 POST SB 72-0023 REPLS 6034T62P18		
- 035	730740	. . IMPELLER-MIXED FLOW		1
060	J221P110	. PACKING-PREFORMED SIN 70053		1
140	6071T53G01	. DUCT ASSY-PARTICLE SEPARATOR SIN 70001	a	1
- 140A	6071T53G02	. DUCT ASSY-PARTICLE SEPARATOR SIN 70001 <b>ATTACHING PARTS</b>	b	ALT
150	4042T93P01	. NUT-SELF-LOCKING SIN 70041		5
- 150A	4042T93P03	. NUT-SELF-LOCKING SIN 70041 ***		ALT
160	6071T53P01	. . DUCT-PARTICLE SEPARATOR INLET SIN 70001 2	a	1
- 160A	6071T53P02	. . DUCT SIN 70001 2	b	1
170	4082T91P02	. . BUSHING-SLEEVE SIN 70001 5		1
180	MS9390-170	. . PIN-STRAIGHT SIN 70001 6		1
190	MS51990E105P	. . RING-LOCK SIN 70001 4		5
200	4041T29P07	. . STUD-LOCKED-IN SIN 70001 7		1
210	4041T29P05	. . STUD-LOCKED-IN SIN 70001 3		4
220	MS51830CA201L	. . INSERT-SCREW THREAD SIN 70001 8		1
230	6071T53P09	. . TUBE SIN 70001 9		1
240	J221P030	. PACKING-PREFORMED SIN 70051		1
250	6064T22G01	. DRAIN-SEAL SIN 70005		1
260	J643P06A	. BOLT-MACHINE SIN 70020		1
270	4046T19G04	. SUPPORT-ELECTRICAL CABLE ASSY CLIP SIN 70081		1
280	6044T13G24	. GEARBOX-ACCESSORY SIN 29A00 SEE 72-61-00-01 FOR DET		1
290	AS3568-19	. SCREW-DRIVE, RDH SIN 29A21		2
300	1022T20P01	. PLATE-IDENTIFICATION SIN 29A06		1
310	3032T82P01	. BOOT-AXIS A DUST SIN 29A04		1
320	4191T74G01	. BRACKET-ELECTRICAL CABLE SUPPORT SIN 29A10 REPL BY 5184T40G01		1
320A	5184T40G01	. BRACKET-ELECTRICAL CABLE SUPPORT SIN 29A10 POST SB 72-0013 REPLS 419T74G01		1

- ITEM NOT ILLUSTRATED

GE Designated: - CONFIDENTIAL Subject to the restrictions on the media