



CT7-2E INCREMENTAL CHANGE

Release Notification Date: 07/29/2021

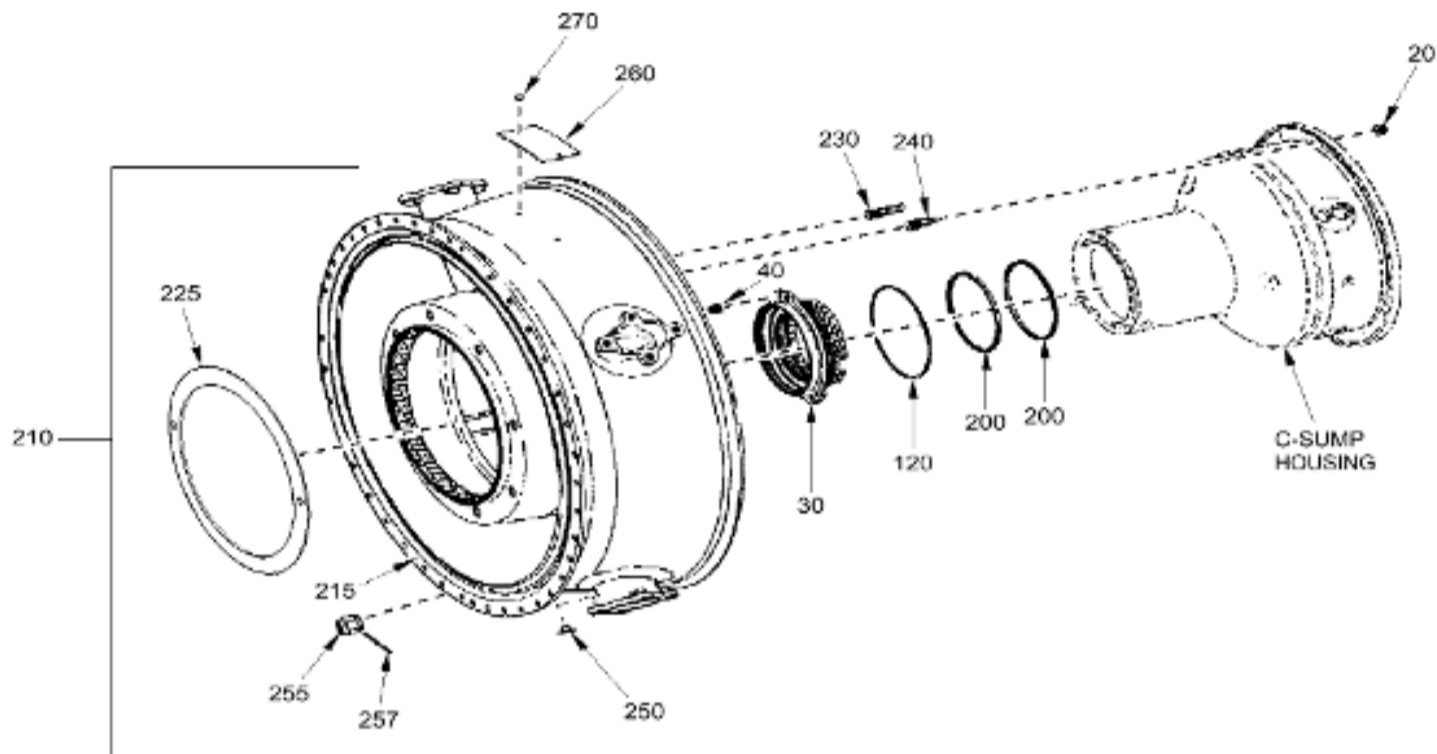
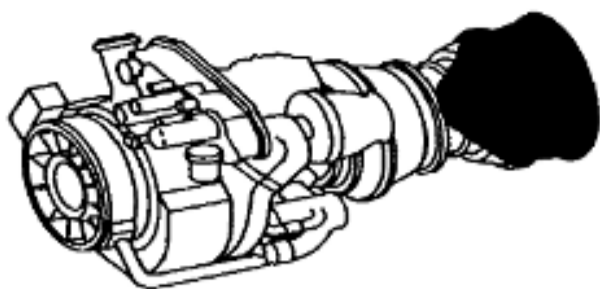
IPC 72-51-00 FIG. 01 C-SUMP HOUSING AND EXHAUST FRAME

**GE Designated: -CONFIDENTIAL-**

The information contained in this document is GE proprietary information and is disclosed in confidence. It is the property of GE and shall not be used, disclosed to others or reproduced without the express written consent of GE, including, but without limitation, it is not to be used in the creation, manufacture, development, or derivation of any repairs, modifications, spare parts, designs, or configuration changes or to obtain FAA or any other government or regulatory approval to do so. If consent is given for reproduction in whole or in part, this notice and the notice set forth on each page of this document shall appear in any such reproduction in whole or part.

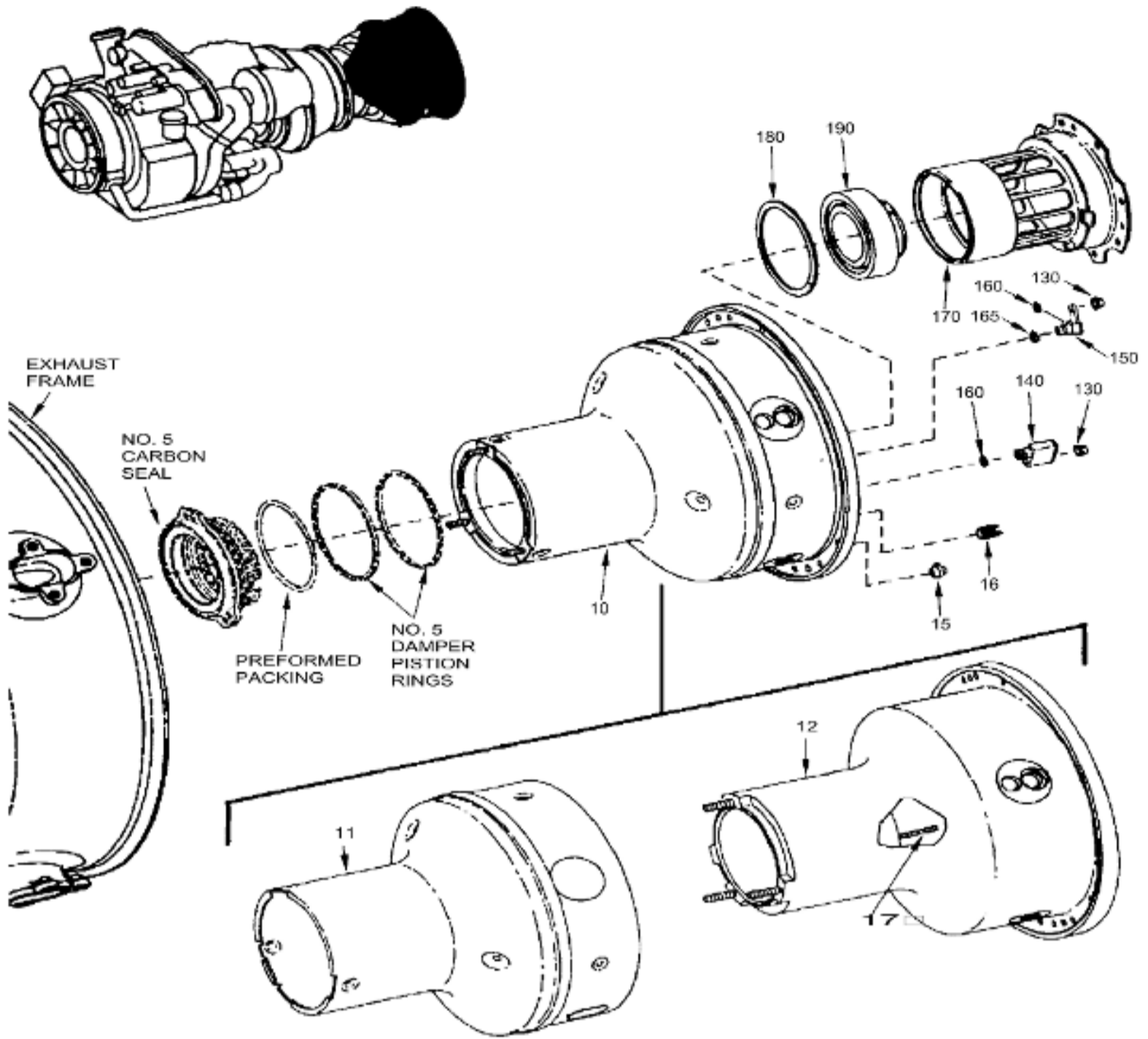
This technical data is considered subject to the Export Administration Regulations (EAR) pursuant to 15 CFR Parts 730-774. Transfer of this data by any means to a Non-U.S. Person, whether in the United States or abroad, without the proper U.S. Government authorization (e.g., License, exemption, NLR, etc.), is strictly prohibited.

Copyright (2021) General Electric Company, U.S.A.



1300302-01

C-SUMP HOUSING AND EXHAUST FRAME  
Figure 01 (Sheet 1)



1300303-00

C-SUMP HOUSING AND EXHAUST FRAME  
 Figure 01 (Sheet 2)

ITEM	PART NUMBER	NOMENCLATURE	USAGE CODE	UNITS PER ASSY
-001	NHA	FRAME-C-SUMP HOUSING AND EXHAUST SEE 72-50-00-01-190 FOR NHA	NP	RF
010	6055T21G01	. HOUSING ASSY-C-SUMP SIN 9160R		1
011	6055T22P01	. . HEAT SHIELD SIN 9160R 7		1
012	6053T72P03	. . HOUSING-C-SUMP SIN 9160R 2	NP	1
-012A	6053T72P01	. . HOUSING-C-SUMP SIN 9160R 2	NP	ALT
015	4041T68P01	. . NUT-SHANK SIN 9160R 8		8
016	MS51830CA201L	. . INSERT-LOCKED-IN SIN 9160R 10		3
017	4041T43P06	. . STUD-PLAIN SIN 9160R 14		1

-017A	4041T43P07	. . STUD-PLAIN SIN 9160R 14		ALT
020	4046T32P01	. NUT-LOCK SIN 94041		8
-020A	4046T32P02	. NUT-LOCK SIN 94041		ALT
-020B	4046T32P03	. NUT-LOCK SIN 94041		ALT
-020C	4046T32P04	. NUT-LOCK SIN 94041		ALT
030	5129T20P01	. SEAL-NO.5 CARBON SIN 91502		1
-030A	SSCY11387-KIT	. . KIT-CARBON SEAL (SPAD) POST SB 72-0003		AR
040	4046T32P01	. NUT-LOCK SIN 91641		3
-040A	4046T32P02	. NUT-LOCK SIN 91641		ALT
-040B	4046T32P03	. NUT-LOCK SIN 91641		ALT
-040C	4046T32P04	. NUT-LOCK SIN 91641		ALT
120	9169M40P188	. PACKING-PREFORMED SIN 91550 REPL BY 4074T58P08		1
-120A	4074T58P08	. PACKING-PREFORMED SIN 91550 POST SB 72-0014 REPLS 9169M40P188		1
-120B	J1400P147	. PACKING-PREFORMED SIN 91550		ALT
130	R1186P002C	. NUT-SELF-LOCKING SIN 9154B REPL BY R1186P002		2
-130A	R1186P002	. NUT-SELF-LOCKING SIN 9154B POST SB 72-0003 REPLS R1186P002C		2
140	4053T45G01	. NOZZLE-NO.5 AND NO.6 BEARING SIN 9150H		1
150	5129T21G01	. NOZZLE-C-SUMP FWD END SIN 9150B		1
160	9169M40P105	. PACKING-PREFORMED SIN 9155B REPL BY 4074T58P12		2
-160A	4074T58P12	. PACKING-PREFORMED SIN 9155B POST SB 72-0014 REPLS 9169M40P105		2
-160B	J1400P006	. PACKING-PREFORMED SIN 9155B		ALT
165	4074T58P76	. PACKING-PREFORMED SIN 9150D		1
170	6039T12P02	. SUPPORT-NO.5 AND NO.6 BEARING SIN 91501		1
-170A	6039T12P01	. SUPPORT-NO.5 AND NO.6 BEARING SIN 91501		ALT
180	J206P0267	. RING-INTERNAL RETAINING SIN 91505		1
190	5034T06P01	. BEARING-NO.5 ROLLER SIN 91500		1
-190A	5034T27P01	. BEARING-NO.5 ROLLER SIN 91500		ALT
-190B	5034T27P02	. BEARING-NO.5 ROLLER SIN 91500		ALT
-190C	6064T80P01	. BEARING-NO.5 ROLLER SIN 91500		ALT
200	3033T62P01	. RING-NO.5 DAMPER PISTON SIN 91506		2
210	6064T89G07	. FRAME ASSY-EXHAUST SIN 94000		1
215	6053T32P04	. . FRAME-EXHAUST SIN 94000 2		1

220	5060T50G02	. . SEAL-RING-FORWARD SIN 94000 14	1
225	6064T89P02	. . PLATE-COVER SIN 94000 10	1
230	5060T92G03	. . STUD-SELF-RETAINING SIN 94000 4	4
-235	6064T89P01	. . FERRULE SIN 94000 9	1
240	5060T92G01	. . STUD-SELF-RETAINING SIN 94000 5	16
250	4091T09P01	. . NUT-SELF-LOCKING SIN 94000 3	16
255	R197P04	. . NUT-CONNECTOR SIN 94000 6	1
257	R261P04	. . WIRE-CONNECTOR SIN 94000 7	1
260	1022T20P01	. PLATE-TURBOSHAFT ENGINE MODULE IDENTIFICATION SIN 90600 REPL BY 1022T20P03	1
-260A	1022T20P03	. PLATE-TURBOSHAFT ENGINE MODULE IDENTIFICATION SIN 90600 POST SB 72-0013 REPLS 1022T20P01	1
270	AN123336	. RIVET-SOLID SIN 90620	2

- ITEM NOT ILLUSTRATED

GE Designated: - CONFIDENTIAL Subject to the restrictions on the media