



CT7-2E INCREMENTAL CHANGE

Release Notification Date: 11/01/2022

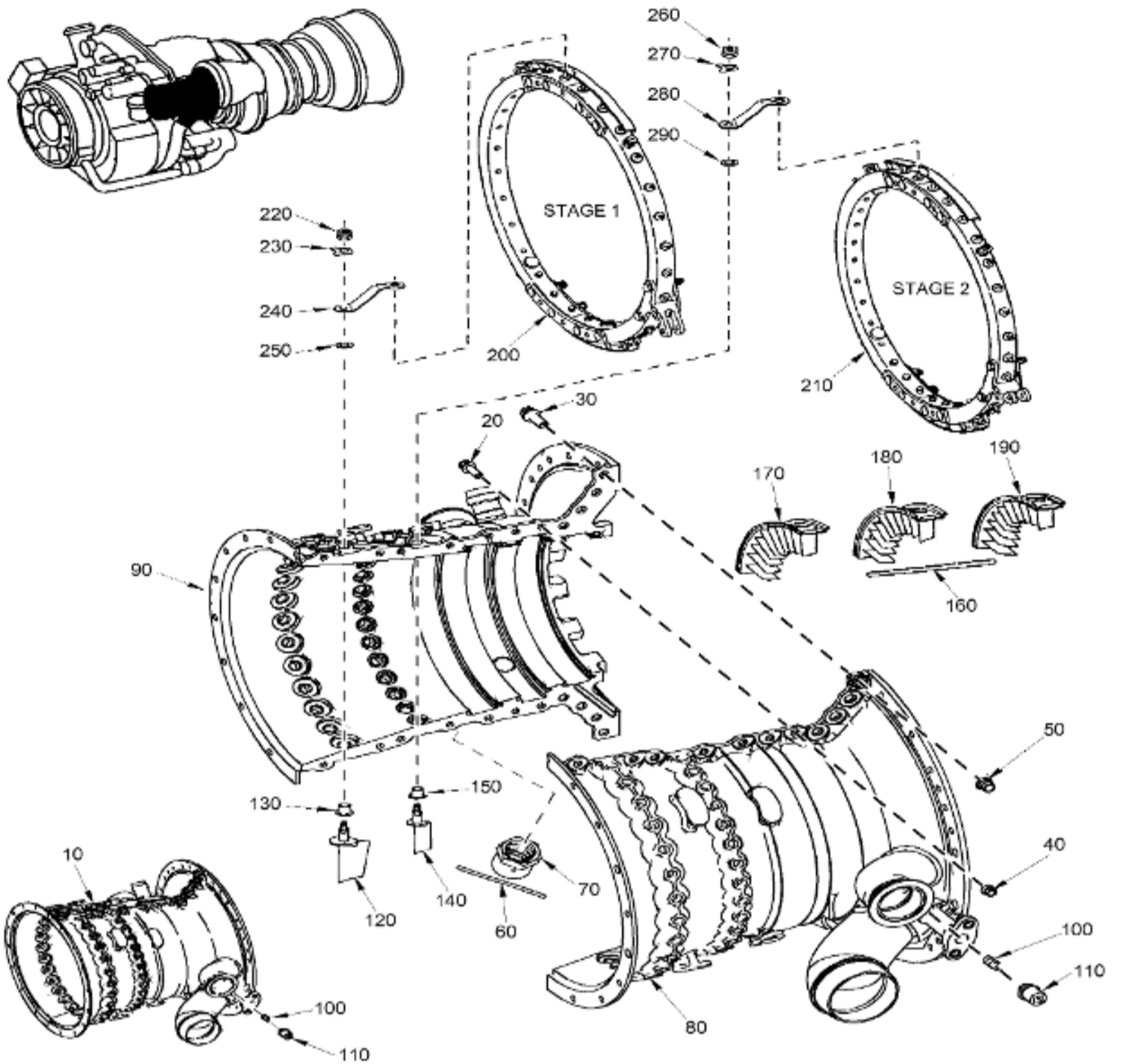
IPC 72-36-00 FIG. 01 COMPRESSOR STATOR ASSEMBLY

GE Designated: -CONFIDENTIAL-

The information contained in this document is GE proprietary information and is disclosed in confidence. It is the property of GE and shall not be used, disclosed to others or reproduced without the express written consent of GE, including, but without limitation, it is not to be used in the creation, manufacture, development, or derivation of any repairs, modifications, spare parts, designs, or configuration changes or to obtain FAA or any other government or regulatory approval to do so. If consent is given for reproduction in whole or in part, this notice and the notice set forth on each page of this document shall appear in any such reproduction in whole or part.

This technical data is considered subject to the Export Administration Regulations (EAR) pursuant to 15 CFR Parts 730-774. Transfer of this data by any means to a Non-U.S. Person, whether in the United States or abroad, without the proper U.S. Government authorization (e.g., License, exemption, NLR, etc.), is strictly prohibited.

Copyright (2022) General Electric Company, U.S.A.



1299434-00

COMPRESSOR STATOR ASSEMBLY
 Figure 01

| ITEM | PART NUMBER | NOMENCLATURE | | | USAGE CODE | UNITS PER ASSY |
|-------|-------------|--|---|---|------------|----------------|
| | | 1 | 2 | 3 | | |
| -001 | NHA | STATOR ASSY-COMPRESSOR SIN 07000 SEE 72-30-00-01-380 FOR NHA | | | | RF |
| 010 | 5168T76G04 | . CASE-COMPRESSOR SIN 07000 2 | | | a | 1 |
| -010A | 5168T76G05 | . CASE-COMPRESSOR SIN 07000 2 POST SB 72-0030 | | | b | 1 |
| 020 | 3036T35P01 | . . BOLT-SHOULDER SIN 07000 2 4 | | | | 14 |
| 030 | 3036T34P01 | . . BOLT-SHOULDER SIN 07000 2 5 | | | | 8 |
| 040 | 4046T32P01 | . . NUT-LOCK SIN 07000 2 9 | | | | 14 |
| -040A | 4046T32P02 | . . NUT-LOCK SIN 07000 2 9 POST SB 72-0003 | | | | ALT |

| | | | | | |
|-------|--------------|--|----|---|-----|
| -040B | 4046T32P03 | . . NUT-LOCK SIN 07000 2 9 POST SB 72-0003 | | | ALT |
| -040C | 4046T32P04 | . . NUT-LOCK SIN 07000 2 9 POST SB 72-0003 | | | ALT |
| 050 | 4042T93P01 | . . NUT-SELF-LOCKING SIN 07000 2 8 | | | 8 |
| 060 | R261P10 | . . WIRE-CONNECTOR SIN 07000 2 7 | | | 2 |
| 070 | 4045T56P01 | . . NUT-COUPLING SIN 07000 2 6 | | | 2 |
| 080 | 5168T76P07 | . . CASE-HALF,RH SIN 07000 2 2 MATCHED PART ORDER NHA | NP | a | 1 |
| -080A | 5168T76P09 | . . CASE-HALF,RH SIN 07000 2 2 POST SB 72-0030 MATCHED PART ORDER NHA | NP | b | 1 |
| 090 | 5168T76P08 | . . CASE-HALF,LH SIN 07000 2 3 MATCHED PART ORDER NHA | NP | a | 1 |
| -090A | 5168T76P10 | . . CASE-HALF,LH SIN 07000 2 3 POST SB 72-0030 MATCHED PART ORDER NHA | NP | b | 1 |
| 100 | MS51830CA202 | . . INSERT SIN 07000 2 10 | | | 2 |
| 110 | 4088T52G01 | . PLUG-BOREScope SIN 07000 17 | | | 2 |
| 120 | 6035T21P04 | . VANE-STAGE 1 COMPRESSOR VARIABLE SIN 07000 3 | | | 30 |
| 130 | 3033T60P01 | . BUSHING-SLEEVE SIN 07000 9 | | | 30 |
| 140 | 6033T69P04 | . VANE-STAGE 2 COMPRESSOR VARIABLE SIN 07000 10 | | | 34 |
| 150 | 3033T60P01 | . BUSHING-SLEEVE SIN 07000 9 | | | 34 |
| 160 | 3031T59P02 | . KEY-ANTI-ROT SIN 07000 15 | | | 2 |
| 170 | 6034T86G05 | . SECTOR-STAGE 3 COMPRESSOR STATOR VANE SIN 07000 12 | | | 4 |
| 180 | 6039T08G04 | . SECTOR-STAGE 4 COMPRESSOR STATOR VANE SIN 07000 13 | | | 4 |
| 190 | 6034T82G05 | . SECTOR-STAGE 5 COMPRESSOR STATOR VANE SIN 07000 14 | | | 4 |
| 200 | 5044T14G01 | . RING-STAGE 1 VANE ACTUATING SIN 07000 5 SEE 72-37-00-02 FOR DET | | | 1 |
| 210 | 5044T16G02 | . RING-STAGE 2 VANE ACTUATING SIN 07000 11 SEE 72-37-00-02 FOR DET | | | 1 |
| 220 | 3031T29P01 | . NUT-SELF-LOCKING SIN 07000 6 | | | 30 |
| -220A | 3031T29P03 | . NUT-SELF-LOCKING SIN 07000 6 | | | ALT |
| -220B | 3031T29P04 | . NUT-SELF-LOCKING SIN 07000 6 | | | ALT |
| 230 | 3031T28P01 | . WASHER-KEY SIN 07000 7 | | | 30 |
| 240 | 4040T29G03 | . LEVER-STAGE 1 & 2 VANE ACTUATOR SIN 07000 4 | | | 30 |
| 250 | 3031T32P01 | . WASHER-FLAT COATED SIN 07000 8 | | | 30 |
| 260 | 3031T29P01 | . NUT-SELF-LOCKING SIN 07000 6 | | | 34 |
| -260A | 3031T29P03 | . NUT-SELF-LOCKING SIN 07000 6 | | | ALT |
| -260B | 3031T29P04 | . NUT-SELF-LOCKING SIN 07000 6 | | | ALT |
| 270 | 3031T28P01 | . WASHER-KEY SIN 07000 7 | | | 34 |
| 280 | 4040T29G03 | . LEVER-STAGE 1 & 2 VANE ACTUATOR SIN 07000 4 | | | 34 |

| | | | |
|-----|------------|-------------------------------------|----|
| 290 | 3031T32P01 | . WASHER-FLAT COATED SIN 07000 8 | 34 |
|-----|------------|-------------------------------------|----|

- ITEM NOT ILLUSTRATED

GE Designated: - CONFIDENTIAL Subject to the restrictions on the media