



**To:** HOLDERS OF COMPONENT MAINTENANCE MANUAL 24-32-04, 4037CH

**Subject:** CMM Revision No. 3 Dated Oct 24/2022

Replace revised pages by adding and removing pages for pages dated Oct 24/2022.

**NOTE:** The CMM can be downloaded from the internet at [www.saftbatteries.com](http://www.saftbatteries.com)

### HIGHLIGHTS

<b>CHAPTER/SECTION PAGE NUMBER</b>	<b>DESCRIPTION OF CHANGE</b>
Title Page T-1	Add Revision 3 with Date
Record of Revisions ROR 1	Add revision 3
Record of Temporary Revisions RTR 1	Update table headings
Service Bulletin List SBL 1	Updated information
List of Effective Pages LEP 1	Corrected/Changed pages
List of Illustrations LOI 1	Updated IPL figures
Introduction Intro 2	Update CAGE code
Description and Operation 2	Updated maximum weight
Testing and Fault Isolation 1001	Updated IPL link
Testing and Fault Isolation 1006, 1007	Added information on vent valve tool
Testing and Fault Isolation 1008	Updated to minimum change time note
Testing and Fault Isolation 1009 - 1011	Clarifications and procedural improvements
Testing and Fault Isolation 1015	Added case and cover information to physical faults
Disassembly 3001	Updated IPL figure link
Cleaning 4001	Updated IPL figure link
Check 5001	Updated IPL figure link

**24-32-04**

Highlights Page 1 of 2  
Oct 24/2022



<b>CHAPTER/SECTION PAGE NUMBER</b>	<b>DESCRIPTION OF CHANGE</b>
Repair 6001	Updated IPL figure link
Assembly 7001, 7003	Updated IPL figure link, add lubrication information
Special Tools, Fixtures, Equipment, and Consumables 9001	Updated CAGE code, updated resistor value, added torque screwdriver
Illustrated Parts List 10002	Updated CAGE code
Illustrated Parts List 10004 - 10006	Updated figure to IPL Figure
Illustrated Parts List 10007	Update bottom of table
Storage (Including Transportation) 15002 - 15004	Updated information, added Storage of spare parts paragraph, and removed obsolete information



ECCN: EAR99  
CAGE Code 09052  
711 GIL HARBIN INDUSTRIAL BOULEVARD  
VALDOSTA, GEORGIA 31601  
Phone: +1 (229) 247-2331 Fax: +1 (229) 247-8486

# COMPONENT MAINTENANCE MANUAL

## WITH ILLUSTRATED PARTS LIST

### Nickel Cadmium Aircraft Battery

### Aircraft Battery

**4037CH**

**P/N 024809-000**

Website: [www.saftbatteries.com](http://www.saftbatteries.com)

**24-32-04**

T-1

Rev 3 Oct 24/2022

Original Issue Date: Aug 01/1999



COMPONENT MAINTENANCE MANUAL  
4037CH

This document and all information contained herein are the property of Saft. Its use is restricted solely to the maintenance of Saft batteries and may under no circumstances be used for any other manufacturer's products. No person may, in whole or in part, duplicate, use or disclose this information for any other purpose without the prior written consent of Saft.

**24-32-04**

T- 2  
Mar 14/2022





COMPONENT MAINTENANCE MANUAL  
4037CH

PAGE INTENTIONALLY LEFT BLANK

**24-32-04**

ROR 2  
Mar 14/2022





COMPONENT MAINTENANCE MANUAL  
4037CH

PAGE INTENTIONALLY LEFT BLANK

**24-32-04**

RTR 2  
Mar 14/2022





COMPONENT MAINTENANCE MANUAL  
4037CH

**SERVICE BULLETIN LIST**

SERVICE BULLETIN NUMBER / REV		DATE INCORPORATION OR NO EFFECT	TITLE
SB0516 / C	Aug 1/2022	No Effect	Inspection of latch clearances

**24-32-04**

SBL 1  
Oct 24/2022



COMPONENT MAINTENANCE MANUAL  
4037CH

PAGE INTENTIONALLY LEFT BLANK

**24-32-04**

SBL 2  
Mar 14/2022



COMPONENT MAINTENANCE MANUAL  
4037CH

**LIST OF EFFECTIVE PAGES**

<b><u>SUBJECT</u></b>	<b><u>PAGE</u></b>	<b><u>DATE</u></b>	<b><u>SUBJECT</u></b>	<b><u>PAGE</u></b>	<b><u>DATE</u></b>	
TITLE PAGE	T-1	Oct 24/2022		1014	Mar 14/2022	
	T-2	Mar 14/2022		1015	Oct 24/2022	
				1016	Blank	
RECORD OF REVISIONS	ROR 1	Oct 24/2022	DISASSEMBLY	3001	Oct 24/2022	
	ROR 2	Blank		3002	Blank	
RECORD OF TEMPORARY REVISIONS	RTR 1	Oct 24/2022	CLEANING	4001	Oct 24/2022	
	RTR 2	Blank		4002	Mar 14/2022	
SERVICE BULLETIN LIST	SBL 1	Oct 24/2022	CHECK	5001	Oct 24/2022	
	SBL 2	Blank		5002	Mar 14/2022	
LIST OF EFFECTIVE PAGES	LEP 1	Oct 24/2022	REPAIR	6001	Oct 24/2022	
	LEP 2	Blank		6002	Mar 14/2022	
TABLE OF CONTENTS	TOC 1	Mar 14/2022		6003	Mar 14/2022	
	TOC 2	Blank		6004	Blank	
LIST OF ILLUSTRATIONS	LOI 1	Oct 24/2022	ASSEMBLY	7001	Oct 24/2022	
	LOI 2	Blank		7002	Mar 14/2022	
LIST OF TABLES	LOT 1	Mar 14/2022		7003	Oct 24/2022	
	LOT 2	Blank		7004	Blank	
INTRODUCTION	Intro 1	Oct 24/2022	FITS AND CLEARANCES	8001	Mar 14/2022	
	Intro 2	Oct 24/2022		8002	Blank	
	Intro 3	Mar 14/2022	SPECIAL TOOLS, FIXTURES, EQUIPMENT, AND CONSUMABLES	9001	Oct 24/2022	
	Intro 4	Mar 14/2022		9002	Mar 14/2022	
DESCRIPTION AND OPERATION	1	Mar 14/2022	ILLUSTRATED PARTS LIST	10001	Mar 14/2022	
	2	Oct 24/2022		10002	Oct 24/2022	
	3	Mar 14/2022		10003	Mar 14/2022	
	4	Mar 14/2022		10004	Oct 24/2022	
TESTING AND FAULT ISOLATION	1001	Oct 24/2022		10005	Oct 24/2022	
	1002	Mar 14/2022		10006	Oct 24/2022	
	1003	Mar 14/2022		10007	Oct 24/2022	
	1004	Mar 14/2022		10008	Blank	
	1005	Mar 14/2022				
	1006	Oct 24/2022	STORAGE (INCLUDING TRANSPORTATION)	15001	Mar 14/2022	
	1007	Oct 24/2022		15002	Oct 24/2022	
	1008	Oct 24/2022		15003	Oct 24/2022	
	1009	Oct 24/2022		15004	Oct 24/2022	
	1010	Oct 24/2022		15005	Oct 24/2022	
	1011	Oct 24/2022		15006	Blank	
	1012	Mar 14/2022				
	1013	Mar 14/2022				

**24-32-04**

LEP 1  
Oct 24/2022



COMPONENT MAINTENANCE MANUAL  
4037CH

PAGE INTENTIONALLY LEFT BLANK

**24-32-04**

LEP 2  
Mar 14/2022



COMPONENT MAINTENANCE MANUAL  
4037CH

**TABLE OF CONTENTS**

<b>PARAGRAPH TITLE</b>	<b>PAGE</b>
INTRODUCTION	<a href="#">Intro 1</a>
DESCRIPTION AND OPERATION	<a href="#">1</a>
TESTING AND FAULT ISOLATION	<a href="#">1001</a>
AUTOMATIC TEST REQUIREMENTS (ATLAS)	N/A
DISASSEMBLY	<a href="#">3001</a>
CLEANING	<a href="#">4001</a>
INSPECTION/CHECK	<a href="#">5001</a>
REPAIR	<a href="#">6001</a>
ASSEMBLY	<a href="#">7001</a>
FITS AND CLEARANCES	<a href="#">8001</a>
SPECIAL TOOLS, FIXTURES, EQUIPMENT, AND CONSUMABLES	<a href="#">9001</a>
ILLUSTRATED PARTS LIST	<a href="#">10001</a>
STORAGE (INCLUDING TRANSPORTATION)	<a href="#">15001</a>



COMPONENT MAINTENANCE MANUAL  
4037CH

PAGE INTENTIONALLY LEFT BLANK

**24-32-04**

TOC 2  
Mar 14/2022



COMPONENT MAINTENANCE MANUAL  
4037CH

**LIST OF ILLUSTRATIONS**

FIGURE	DESCRIPTION	PAGE
Intro 1	Universal Recycling Symbols	<a href="#">Intro 3</a>
1	4037CH Battery	<a href="#">1</a>
1001	Periodical Check	<a href="#">1002</a>
1002	Regular Check	<a href="#">1003</a>
1003	General Overhaul	<a href="#">1004</a>
1004	Position of <a href="#">T02</a> in Cell Vent Seal	<a href="#">1009</a>
1005	Special Testing Flow Chart	<a href="#">1012</a>
7001	Battery Spacer Kit	<a href="#">7001</a>
7002	Cell Number and Polarity Orientation	<a href="#">7002</a>
IPL Figure 1	Battery, Exploded View (Sheet 1 of 3)	<a href="#">10004</a>
IPL Figure 1	Battery, Exploded View (Sheet 2 of 3)	<a href="#">10005</a>
IPL Figure 1	Battery, Exploded View (Sheet 3 of 3)	<a href="#">10006</a>
15001	Standby Period	<a href="#">15002</a>
15002	Inactive Standby Storage Schedule	<a href="#">15003</a>

**24-32-04**

LOI 1  
Oct 24/2022



COMPONENT MAINTENANCE MANUAL  
4037CH

PAGE INTENTIONALLY LEFT BLANK

**24-32-04**

LOI 2  
Mar 14/2022





COMPONENT MAINTENANCE MANUAL  
4037CH

**LIST OF TABLES**

TABLE	DESCRIPTION	PAGE
1	Leading Particulars	<a href="#">2</a>
1001	Initial Discharge (Off-wing Capacity)	<a href="#">1006</a>
1002	Charge Table	<a href="#">1008</a>
1003	Final Charge Voltage Limit	<a href="#">1008</a>
1004	Capacity Test (Second Discharge)	<a href="#">1010</a>
1005	Battery Faults	<a href="#">1013</a>
1006	Cell Faults	<a href="#">1014</a>
1007	Physical Faults	<a href="#">1015</a>
7001	Battery Spacer Kit	<a href="#">7002</a>
8001	Torque Values	<a href="#">8001</a>
9001	Special Tools	<a href="#">9001</a>
9002	Consumables	<a href="#">9002</a>
15001	Return to Service Following Storage	<a href="#">15001</a>
15002	Refresh Charge	<a href="#">15003</a>

**24-32-04**

LOT 1  
Mar 14/2022



COMPONENT MAINTENANCE MANUAL  
4037CH

PAGE INTENTIONALLY LEFT BLANK

**24-32-04**

LOT 2  
Mar 14/2022



COMPONENT MAINTENANCE MANUAL  
4037CH

**INTRODUCTION**

1. General

- A. This manual is written to the ATA Specification 100. International Standard units of measure are used in this manual, with imperial units in parentheses.
- B. This manual describes maintenance on components in a workshop. It does not describe maintenance on components when they are installed in aircraft.
- C. Only approved personnel with the necessary skill can do maintenance tasks described in this manual.
- D. This manual contains:
  - (1) Technical data for components
  - (2) Maintenance and replacement procedures for components
  - (3) An Illustrated Parts List (IPL) with data for parts of components. Parts are identified in all sections of the manual by IPL figure and item number.
- E. We make sure of DISASSEMBLY, TESTING AND FAULT ISOLATION, and ASSEMBLY procedures by doing them.  
The manual is divided into separate sections:
  - (1) Title Page
  - (2) Record of Revisions
  - (3) Record of Temporary Revisions
  - (4) List of Effective Pages
  - (5) Table of Contents
  - (6) Introduction
  - (7) Procedures and IPL Sections

The disassembly and assembly sections contain only specific instructions used on the equipment covered herein. Most standard aerospace practices are not described herein. This manual provides the information necessary for an experienced shop technician to maintain Saft nickel-cadmium batteries. It describes construction of the battery, as well as techniques used to operate, maintain, and provide care for the battery. Following these instructions will enhance the ability to obtain optimum performance and maximum life from Saft batteries.

All aircraft batteries require checking and maintenance to make sure they are safe when installed and they perform their required functions especially in emergency conditions on board the aircraft. Maintenance allows problems to be identified and corrected. The maintenance interval is the period for which correct operation is assured with a low probability of failure and allows elevated levels of MTBUR and MTBF.

Every effort has been made to provide complete and accurate instructions. If a situation should arise that is not adequately described in this manual, please contact Saft via the internet at [www.saftbatteries.com](http://www.saftbatteries.com) or at one of the following addresses:

**24-32-04**

Intro 1  
Oct 24/2022



COMPONENT MAINTENANCE MANUAL  
4037CH

Saft America Inc. (09052)  
711 Gil Harbin Industrial Boulevard  
Valdosta, GA 31601, USA

Phone: +1 (229) 247-2331  
Fax: +1 (229) 247-8486

Saft (F6177)  
126 quai Charles Pasqua  
92300 Levallois-Perret, France

Phone: +33 1 58 63 16 00  
Fax: +33 1 58 63 16 18

2. Definitions

Warnings call attention to use of materials, procedures, or limits which must be followed precisely to avoid injury to persons.

Cautions call attention to procedures which should be followed to avoid damage to equipment.

Notes call attention to procedures which make the job easier.

3. Safety

**WARNING:** EXCEPT FOR THOSE STEPS THAT REQUIRE THE BATTERY TO BE CHARGED, DO ALL STEPS ON DISCHARGED BATTERIES (REFER TO [INITIAL DISCHARGE](#) AND [CELL SHORTING](#)) TO AVOID THE POSSIBILITY OF ELECTRIC SHOCK. TIGHTEN ¼ TURN VENT VALVES ([230](#)) WITH [T01](#) PRIOR TO BEGINNING DISCHARGE. BATTERY CELLS DELIVER VERY HIGH CURRENT WHEN SHORT-CIRCUITED. EXERCISE CAUTION. REMOVE RINGS, WATCHES, NECKLACES, METALLIC BELTS AND OTHER JEWELRY TO AVOID ELECTRIC SHOCK.

**WARNING:** DO NOT TILT THE BATTERY DURING MAINTENANCE, ANY CONTACT OF SKIN WITH ELECTROLYTE CAN CAUSE SEVERE BURNS.

Safety rules are different from one country to another. Always follow local safety regulations.

There are three types of risks

A. Physical

- (1) Handling: the battery is heavy. When you lift it, bend your legs and not your back.
- (2) Use protective shoes.

B. Electrical

- (1) Do not wear rings, watches, chains, belt buckles, necklaces, or any other metallic objects.
- (2) Use insulated tools.

C. Chemical

- (1) For a complete listing of hazards, refer to the safety information sheet available on Saft's website at [www.saftbatteries.com](http://www.saftbatteries.com).
- (2) Electrolyte is very corrosive and can damage the skin: use gloves and an apron. If it touches the skin, flush affected part with large quantity of water. Remove contaminated clothing, after flushing begins.
- (3) Electrolyte is very dangerous for eyes, use protective goggles. If the electrolyte comes in contact with an eye, flush it with water and get immediate medical attention.

**24-32-04**

Intro 2  
Oct 24/2022

## COMPONENT MAINTENANCE MANUAL 4037CH

- (4) Saft recommends the use of an amphoteric solution (both acidic and basic behavior) and chelator (able to trap cations as a chelate complex) to neutralize electrolyte according to the local regulation.
- (5) Electrolyte ingestion can cause damage to the throat and respiratory tract. Do not try to vomit and get immediate medical attention.
- (6) Skin contact with nickel can cause chronic eczema.
- (7) Inhalation of cadmium oxide can cause dry throat, headaches, vomiting, chest pain. If inhaled, move to fresh air. If not breathing, give artificial respiration. If breathing is difficult, give oxygen and get immediate medical attention.

#### 4. New Battery Commissioning

Saft batteries are shipped discharged. All new Saft batteries receiving an initial commissioning within 12 months of the DOM refer to [Initial New Battery Commissioning](#) on page [5001](#) to place into service.

For all new Saft batteries that have not received an initial commissioning within 12 months of the DOM, then refer to [Servicing at end of long-term storage, Table 15001](#).

#### 5. Battery Ratings

##### A. Capacity

Nickel-cadmium batteries are rated in terms of capacity in ampere-hours (Ah) (rated capacity).

Other definitions for battery ratings can be found in EN2570, IEC 60952, and RTCA DO 293.

#### 6. Recycling

All batteries eventually lose their ability to perform and are eligible for scrapping and recycling. Saft takes environmental matters seriously and advocates proper recycling of nickel-cadmium batteries and their components. To that end, Saft operates recycling facilities in both Europe and North America.

Nickel-cadmium batteries contain nickel, cadmium, and potassium hydroxide and should be disposed of properly. In all cases, rely on local and national regulations for proper battery disposal and/or shipping to an appropriate recycling location.



Universal Recycling Symbols  
Figure Intro 1

You can find the nearest recycling collection point on our website at [www.saftbatteries.com](http://www.saftbatteries.com).



COMPONENT MAINTENANCE MANUAL  
4037CH

7. End of Life

EASA and FAA regulations “Part 145” requires end of life cells to be disposed of in a manner prohibiting them to be returned to service. Other authorities may have requirements less explicit, Saft recommends the following procedure to be followed to provide a means of compliance.

- A. Make sure the appropriate protective measures (refer to [Safety](#) paragraph and Battery Information Sheet (BIS)) are taken.
- B. Make sure the cell is fully discharged (See [Cell shorting](#)).
- C. Put one of the terminals from the cell into a bench vice and bend the terminal until it breaks. If any electrolyte leakage occurs, make sure the cleaning procedures are correctly applied (see Battery Information Sheet (BIS)).
- D. Dispose of the cell in accordance with applicable transport, health and safety, and recycling regulations. (Refer to [Recycling](#) paragraph)

All batteries eventually lose their ability to perform and are eligible for scrapping and recycling. Saft takes environmental matters seriously and advocates proper recycling of nickel-cadmium batteries and their components. To that end, Saft operates recycling facilities in both Europe and North America.

8. Abbreviations

A	Amperes
ASD	AeroSpace and Defence Industries Association of Europe
ATA	Air Transport Association of America
EASA	European Air Safety Authority
FAA	Federal Aviation Authority
IATA	International Transport Air Association
IMDG	International Maritime Dangerous Goods
IEC	International Electrotechnical Commission
IPL	Illustrated Parts List
MTBF	Mean Time Between Failure
MTBUR	Mean Time Between Unscheduled Removal
P/N	Part Number
RTCA	Radio Technical Commission for Aeronautics
V	Volt

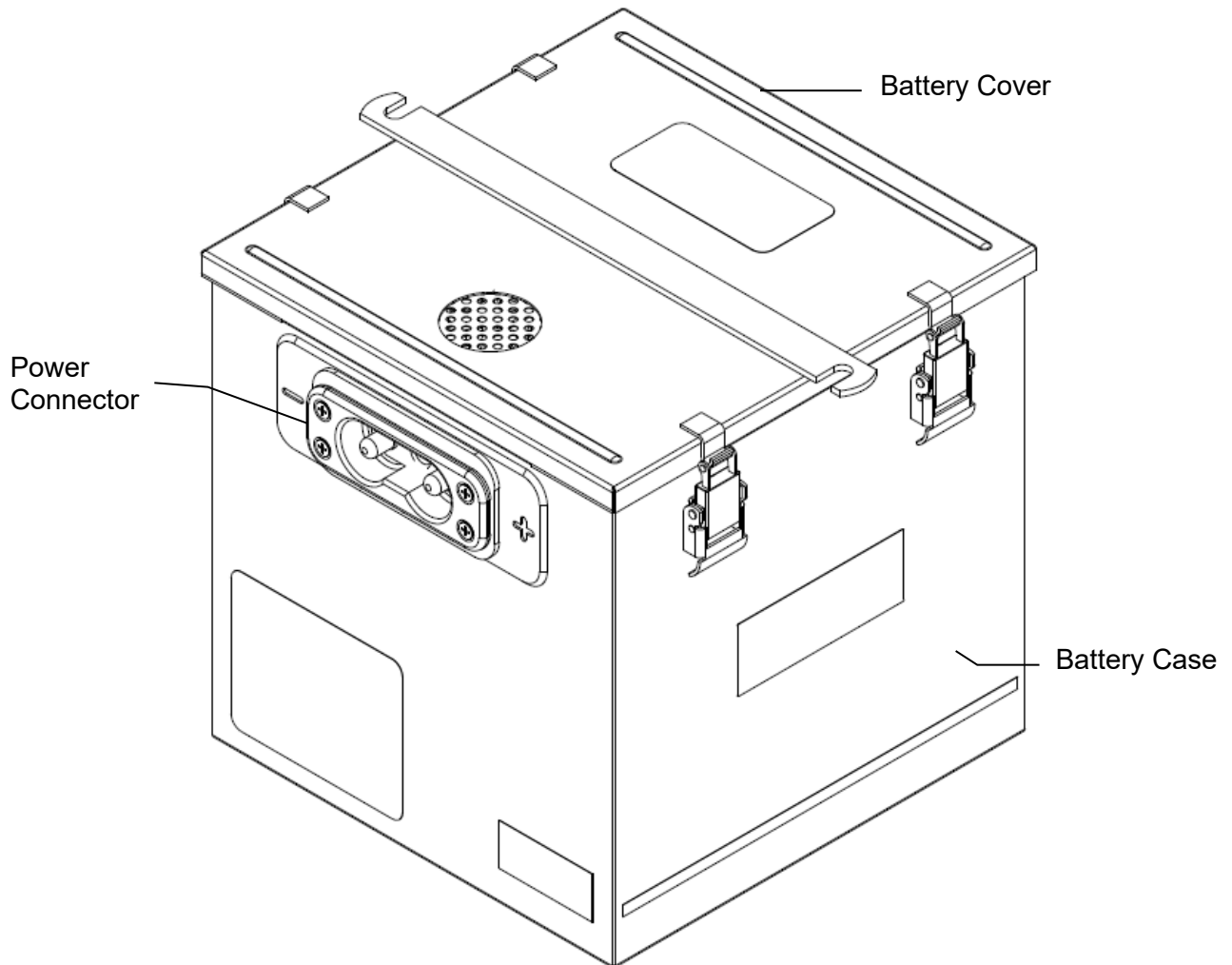


COMPONENT MAINTENANCE MANUAL  
4037CH

**DESCRIPTION AND OPERATION**

1. Description

The Saft alkaline battery has 20 semi-open, nickel-cadmium CVH400KA-AC cells with welded polyamide cases housed in a stainless-steel case. The cells allow for air flow between each cell. End cells are connected by output connections to a battery power connector.



Nickel Cadmium Battery  
Figure 1



COMPONENT MAINTENANCE MANUAL  
4037CH

PARAMETER	VALUES
Nominal Voltage	24.0 Volts
Weight	34.09 kg (76.5 pounds)
Dimensions (Maximum): Height Length Width	266.4 mm (10.25 inches) 253.0 mm (9.96 inches) 246.9 mm (9.72 inches)
Number of Cells	20
Cell Model	Saft-Type CVH400KA-AC
Cell Terminal	M10 X 1.25, externally threaded
1.0C <sub>1</sub> A Rate	40.0A
0.5C <sub>1</sub> A Rate	20.0A
0.1C <sub>1</sub> A Rate	2.0A
Rated Capacity (C <sub>1</sub> )	40.0 Ampere-hours at 1.0C <sub>1</sub> A
Cell Consumable Reserve	70 cm <sup>3</sup> (4.27 in <sup>3</sup> )
Vent Valve	MS style (¼ turn)
Venting Pressure	0.14 to 0.69 bar (2 to 10 psi)
Cell Case Material	Polyamide
Battery Case Material	Stainless Steel
Electrolyte	Potassium Hydroxide
Operation temperature	-40°C to +71°C (-40°F to +160°F)
Recommended Storage Temperatures	+5°C to +35°C (+41°F to +95°F)
Ambient temperature	+15°C to +30°C (59°F to 86°F)

Leading Particulars  
Table 1

2. Operation

A. Flight charging

The battery is charged on the aircraft by the electrical system.





COMPONENT MAINTENANCE MANUAL  
4037CH

B. Maintenance

(1) Maintenance interval basis

The aircraft manufacturer is responsible for the definition of usage and function, including maintenance interval, for batteries installed in its aircraft. The maintenance interval has two main factors:

- Energy available for emergency requirements
- Electrolyte consumable reserve.

Both depend on the battery charging system, battery operating temperature, type of starting, number of starts, flight duration, ground operation, and battery technology. These affect the ratio of capacity charged / capacity discharged and capacity overcharged.

The higher voltage per cell that is applied, the higher overcharge current and capacity the battery receives.

The overcharged capacity is directly related to the electrolysis of water from the electrolyte, and hence the consumption of the electrolyte reserve. For every 3 Ah of overcharge, 1 cc (0.06 in<sup>3</sup>) of water is consumed via electrolysis. Once the water reserve has been consumed, the result is:

- dried out cells with a significant risk of permanent damage,
- internal short circuit,
- overheating,
- thermal runaway.

(2) Maintenance interval extensions

To validate maintenance interval extension, the recommendation is the Operator and Saft review the maintenance records for a minimum period of 12 months.

The data includes but is not limited to the recording of aircraft flight hours when the battery was installed, removal date, inspection date, off-wing capacity, and water consumption as required by this CMM.

As with any maintenance extension, continuous monitoring of the water addition and electrical performance upon removal from the aircraft must be performed to detect any adverse effects and, if necessary, re-adjust the maintenance interval accordingly. To determine the electrical performance more readily after aircraft removal, the battery may be floated 31V for 1.5 hours if the aircraft uses a dedicated charger or 28.5V for 1.5 hours if it floats on the aircraft bus before performing the Initial discharge (off-wing capacity) test.



COMPONENT MAINTENANCE MANUAL  
4037CH

C. Battery data requirements

Maintenance information is required for any Saft battery evaluation to determine its condition and health. Throughout this manual there are multiple steps requiring specific information be recorded to maintain a battery service history. The information provided not will only reflect the batteries airworthiness, but also provide information to assist in any battery issue investigations required at the factory. As a minimum the items identified below are required for each battery maintenance step/action.

- (1) Record the date the battery was received, and time testing started.
- (2) As required for all discharges, record the duration the first cell reaches 1.0V.
- (3) As required during charges,
  - (a) Record the cell voltages at the start of the charge, at the end of the main charge, and the last 30 minutes of the final charge.
  - (b) Record the water added to each cell during the last 30 minutes of the final charge.
- (4) As required for special testing, record location and reason for cell replacement either voltage or capacity.
- (5) Record the date the battery is returned to service.



COMPONENT MAINTENANCE MANUAL  
4037CH

**TESTING AND FAULT ISOLATION**

1. General

This section has battery functional tests and fault isolation information. Test procedures are written in step-by-step formats that follow the process flow outlined in [Figure 1001](#), [Figure 1002](#), or [Figure 1003](#). Fault isolation is provided in chart form to identify faults, possible causes, and remedies, refer to [Table 1005](#), [Table 1006](#), or [Table 1007](#).

**NOTE:** The ( ) part identification numbers herein are [IPL Figure 1](#) item numbers.

**NOTE:** All voltage readings are DC unless specifically otherwise stated.

2. Required Test Equipment

**NOTE:** Test equipment having equivalent specifications can be used.

Refer to [Special Tools, Fixtures, Equipment, and Consumables](#) for listing of Standard Tools.

3. Maintenance Procedures

In addition to the checks specified for airborne or ground use, in normal service SAFT 4037CH batteries require the following maintenance operations.

**NOTE:** Unless the maintenance has been previously increased or the air manufacturer states a different value, the following are provided as guidelines.

**NOTE:** These periods are given as an indication; modify in accordance with operational experience.

**NOTE:** Periodical and Regular Check may be combined if operating hours do not meet times listed.

A. Periodical check

If the electrolyte consumption exceeds the maximum consumable amount between two Regular Checks, this Periodical Check per [Figure 1001](#) may be done to adjust the electrolyte and prevent damage to the cells.

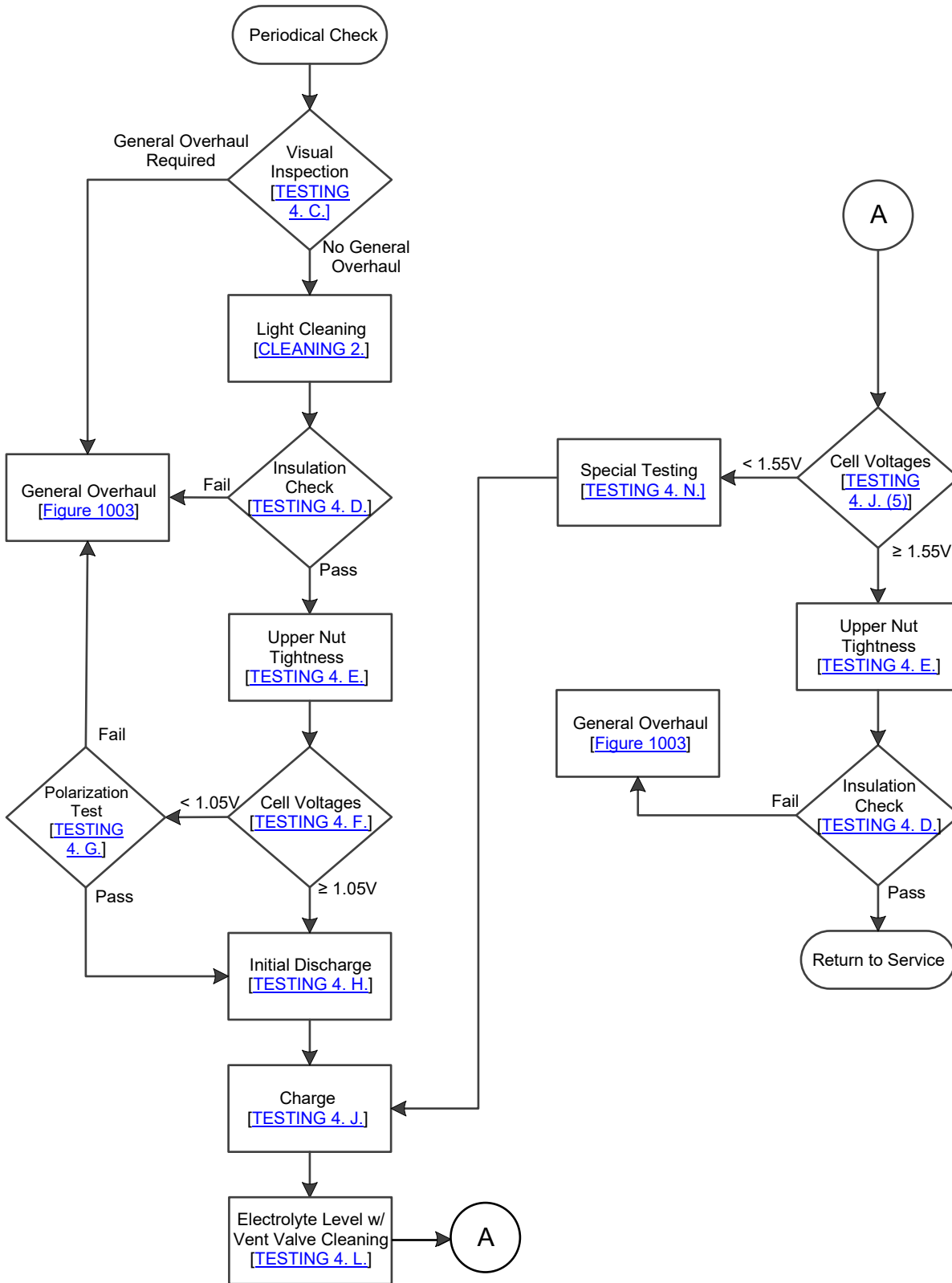
B. Regular check

Perform [Figure 1002](#) according to the aircraft manufacture's or operator's maintenance requirements. If these are not available, then it is recommended to perform this check every twelve months.

C. General overhaul

Perform [Figure 1003](#) according to the aircraft manufacture's or operator's maintenance requirements, or when required by [Figure 1001](#) or [Figure 1002](#).

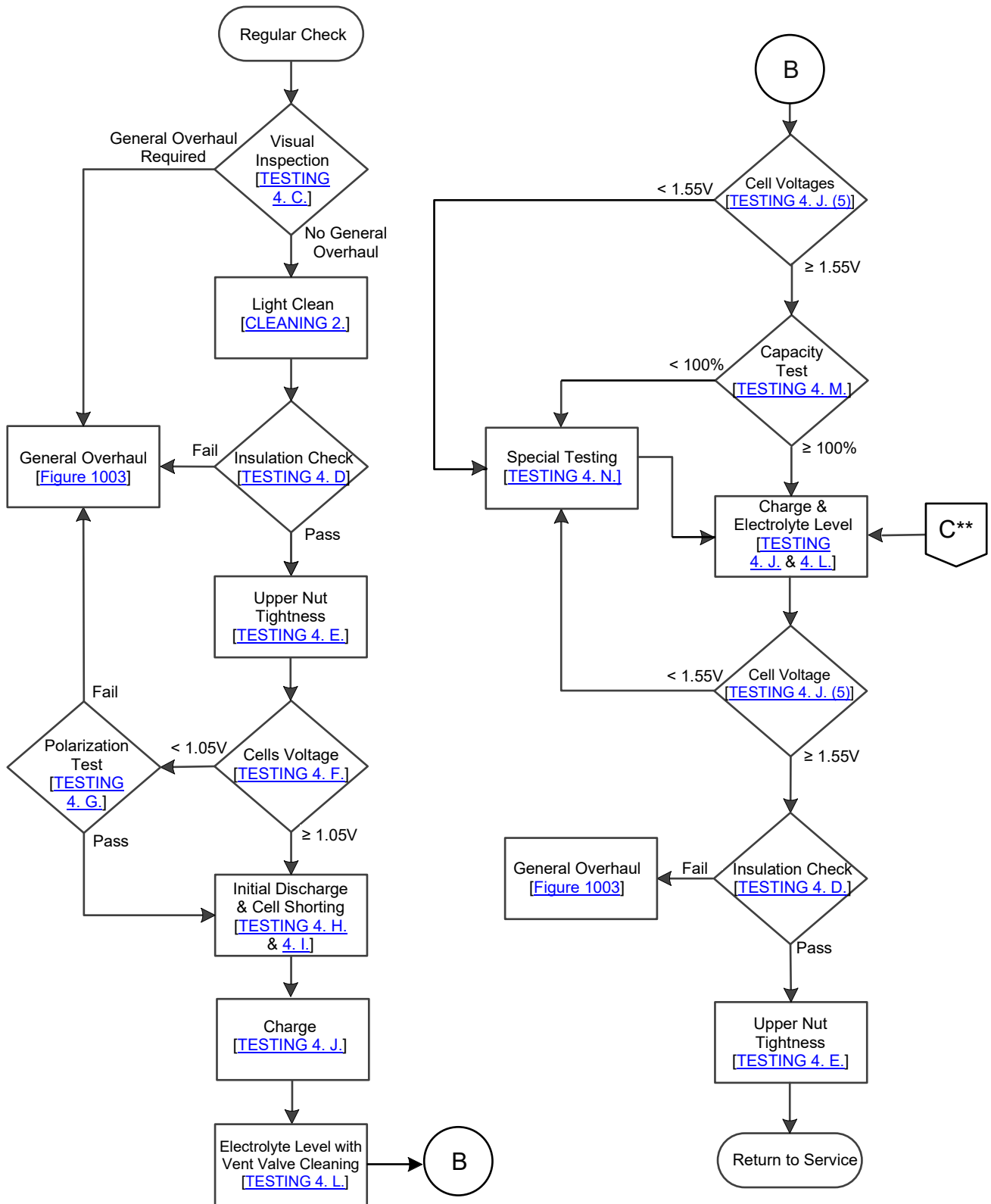
## COMPONENT MAINTENANCE MANUAL 4037CH



Periodical Check  
Figure 1001

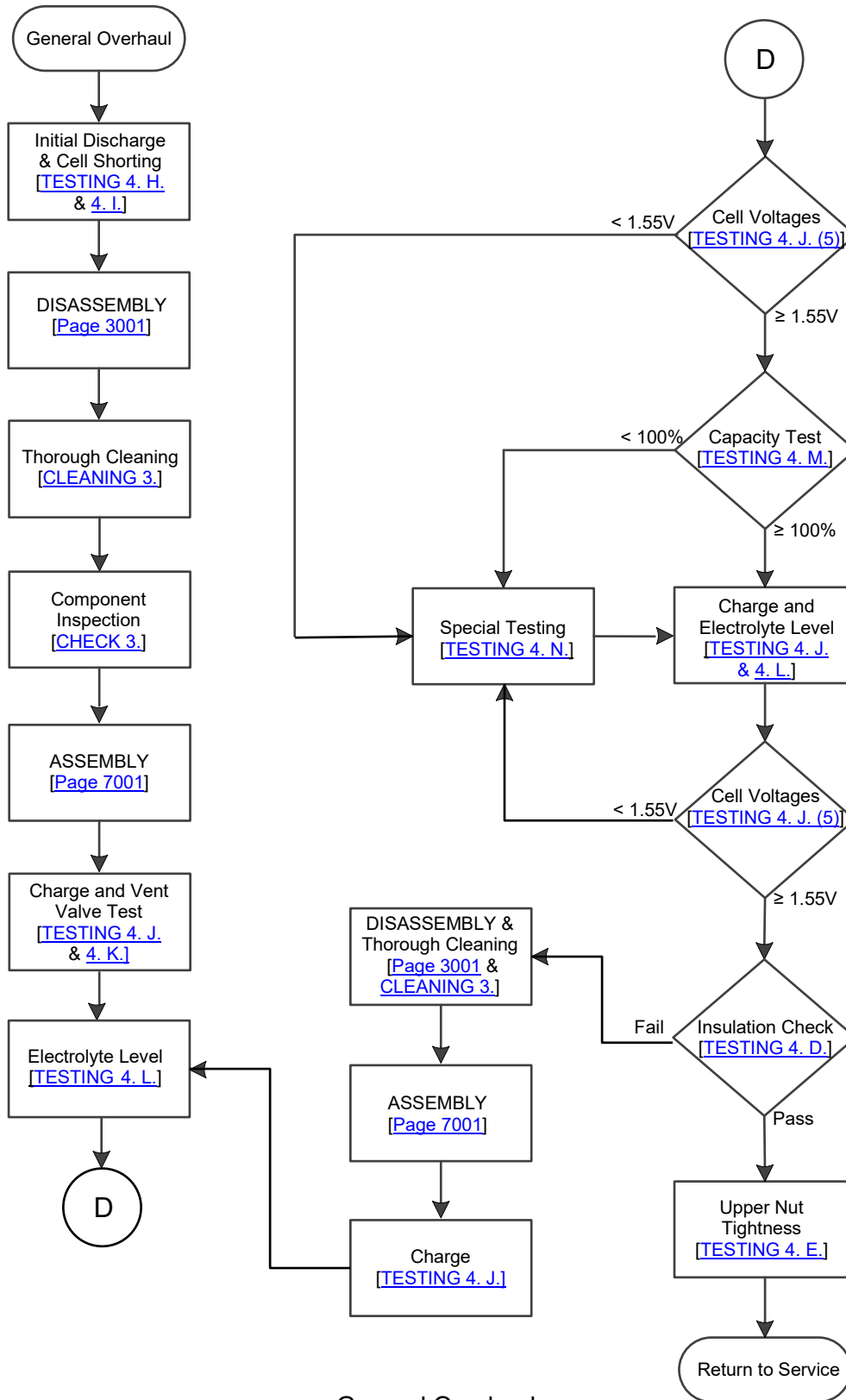
**24-32-04**

## COMPONENT MAINTENANCE MANUAL 4037CH



Regular Check  
Figure 1002

\*\* From [Table 15001](#)



General Overhaul  
Figure 1003



COMPONENT MAINTENANCE MANUAL  
4037CH

4. Testing

A. Test conditions

(1) Facilities and equipment

**CAUTION:** FUMES FROM LEAD ACID BATTERIES OR SMALL TRACES OF SULFURIC ACID ENTERING A NI-CD BATTERY CAN CAUSE PERMANENT DAMAGE.

(a) Service facilities for Ni-Cd batteries must be entirely separate from those for lead acid batteries.

(b) Equipment used to service lead acid batteries must not be used to maintain Ni-Cd batteries.

(2) For optimum results conduct all tests with the battery temperature at ambient temperature, unless otherwise noted in this manual.

B. Test equipment

Refer to [Special Tools, Fixtures, and Equipment, and Consumables](#) for test equipment recommendations.

C. Visually inspection

Items found may require doing a general overhaul immediately while the majority do not. If a finding does not require doing to the general overhaul procedure, then specific instructions are provided on how and when the item will be corrected.

(1) Visually inspect battery cover ([020](#)) for dents, distortion, or other damage and replace with Saft new component, as necessary.

(2) Visually inspect battery case ([010](#)) for dents, distortion, or other damage. If found, identify the case for replacement.

(3) Remove cover ([020](#)) and visually inspect each cell ([140](#)) for any evidence of electrolyte leakage and damage.

(a) Damaged cells ([140](#)) must be identified for replacement or further cleaning.

**NOTE:** Excessive electrolyte leakage will cause the battery to fail the Battery insulation test.

(b) Excessive salts around the terminal posts gives an indication of possible terminal O-ring ([220](#)) leakage. Identify any cells with excessive salts for later torquing of the lower nut ([170](#)).

(c) When inspection reveals electrolyte leakage from the cell at the vent hole opening, replace the defective O-ring ([240](#)), refer to [Vent valve O-ring replacement](#).

(4) Inspect the upper nuts ([110](#)), ([150](#)), washers ([120](#)), ([160](#)), and links ([040](#) through [070](#)) to ensure it is free of bends, tarnish, corrosion, burns, or loss of plating. Minor tarnish can be polished off with a fine wire brush. Identify any defective hardware for later replacement.

(5) Check all ventilation openings to make sure that they are clean and clear.

(6) Inspect the power connector ([080](#)) and its pins for defects, evidence of arcing, or excessive oxidization. If observed, identify the power connector ([080](#)) for later replacement

**24-32-04**

1005  
Mar 14/2022



COMPONENT MAINTENANCE MANUAL  
4037CH

D. Battery insulation

**NOTE:** A breakdown in electrical insulation between the cells and the battery case will result in a "leakage" current, which, over a period of time, can discharge the battery.

(1) On a completely assembled battery, measure the insulation resistance between the block of cells and the metal case. The value measured must be at least 10MΩ under a 250V continuous using a megohmmeter.

(a) If the reading does not meet the above criteria, the insulation test is a "Fail".

**NOTE:** If, after cleaning the battery and assuring that everything is dry, the resistance is still less than 10MΩ, then one or more cells (140) is defective. Isolate and identify for later replacement.

(b) If the reading meets the above criteria ( $\geq 10M\Omega$ ), the insulation test is a "Pass".

E. Upper nut tightness

Check the tightness on each upper terminal nut (110), (150) per [Table 8001](#).

F. Cell voltage

Measure and verify the voltage of each cell (140) is greater than or equal to 1.05V.

G. Polarization test

(1) Charge the battery at 0.1C<sub>1</sub> for 1.5 hours.

(2) Keep the battery in open circuit for 1 hour.

(3) Measure the open circuit voltage of each cell (140).

(a) Identify for replacement each cell (140) with zero (0)V or negative polarity. If any cell (140) is identified for replacement, the polarization test is a "Fail".

(b) If all cells are above zero (0)V, the polarization test is a "Pass".

H. Initial discharge (off-wing capacity)

The purpose of this procedure is to discharge the battery to a known state of charge and determine the battery capacity from the aircraft.

(1) Using [T01](#), confirm the ¼ turn vent valve (230) is tightened on each cell (140).

(2) Discharge the battery at the rate shown in [Table 1001](#) until the battery reaches 20.0V and record the times the first cell reaches 1.0V and battery reaches 20.0V.

**NOTE:** It is important that the discharge current be continually kept at the selected value, and that the time of discharge be measured accurately.

**NOTE:** If a cell goes to zero volts or reverses polarity during the discharge, short out the cell's terminals for the rest of the discharge.

RATE (C <sub>1</sub> )	DISCHARGE	
	CURRENT (AMPS)	MINIMUM TIME FOR DISCHARGE TO 20.0V
0.5	20.0	62.2 MINUTES
1.0	40.0	30.6 MINUTES

Initial Discharge (Off-wing Capacity)  
Table 1001





COMPONENT MAINTENANCE MANUAL  
4037CH

- (a) The minimum discharge time to 20.0V should be as shown in [Table 1001](#). If not, one of the following may be the cause.
  - 1. The battery was discharged since the last aircraft charge.
  - 2. The aircraft charger may not be functioning properly.
  - 3. If the battery was left idle for a time and self-discharge occurred.
  - 4. The battery cells may be imbalanced and need servicing.
- (3) If defective items were found during visual inspection or cell(s) ([140](#)) identified for replacement, they are to be corrected here.
  - (a) If the case ([010](#)) was identified for replacement, do [Case replacement](#).
  - (b) For each cell ([140](#)) identified for replacement, do [Cell replacement](#).
  - (c) For power connector ([080](#)) requiring replacement, do [Power connector replacement](#)
  - (d) Remove and replace as needed nuts ([110](#)), ([150](#)) and washers ([120](#)), ([160](#)). Torque nuts ([110](#)), ([150](#)) per [Table 8001](#).
  - (e) Replace as needed links ([040](#) through [070](#)) using [Link replacement](#).
  - (f) For each cell ([140](#)) which have excessive salts around the terminals during visual inspection, do [Lower nut tightness](#).
  - (g) For cell hardware ([170](#)), ([180](#) or [190](#)), ([200](#)), ([210](#)), or O-ring ([220](#)) requiring replacement, do [Cell hardware replacement](#).
- I. Cell shorting
  - (1) Using [T01](#), confirm the ¼ turn vent valve ([230](#)) is tightened on each cell ([140](#)).
  - (2) Discharge each cell in the battery to zero volts using one of two methods below:  
**NOTE:** It is not necessary to have a rest period between discharge and cell shorting.
    - (a) Method A
      - 1. Continue to discharge the battery per [Table 1001](#) until each cell reaches 1.0V, connect a [T03](#) across its terminals. After all the cells have been shorted, leave the devices in place for 12 to 24 hours.
    - (b) Method B
      - 1. Continue to discharge the battery per [Table 1001](#) until each cell is < 0.5V, then connect a shorting clip across its terminals. After all the cells have been shorted, leave the devices in place for 16 to 24 hours.
  - (3) At completion of Method A or B, remove the shorting devices.
  - (4) If no cells ([140](#)) were identified for replacement, return to [Figure 1002](#) or [Figure 1003](#).
  - (5) If any cell ([140](#)) was identified for replacement, do [Cell replacement](#).
- J. Charge
  - (1) Allow the battery to cool to ambient temperature.
  - (2) Remove the cover ([020](#)).
  - (3) Prior to charging the battery, loosen (do not remove) all ¼ turn vent valves ([230](#)). Ensure that the shorting spring has been removed.



COMPONENT MAINTENANCE MANUAL  
4037CH

**NOTE:** If required by [Figure 1003](#) or yearly testing, it is recommended to do [Vent valve test](#) during this charge.

- (4) Charge the battery using one of the three methods in [Table 1002](#).
  - (a) Record the cell voltages at the start and end of the main charge (Step 1), and then the last 30 minutes of the final charge (Step 2).
    - 1. If the start cell voltage of the main charge (Step 1) goes above 1.50V, add to the cell about 5 cm<sup>3</sup> (0.31) in<sup>3</sup> of [M01](#).
    - 2. During the last 30 minutes of the final charge (Step 2), adjust the [Electrolyte level](#) and check for [Minimum final charge voltage](#).

Main Charge (Step 1)			Final Charge (Step 2)**
Current	Minimum Time*	End of Main Charge Criteria	Current and Time
0.1C <sub>1</sub> A (2.0A)	10h	Every cell >1.5V or 12h whichever comes first	0.1C <sub>1</sub> A (2.0A) for 4h
0.5C <sub>1</sub> A (20.0A)	2h	Every cell >1.55V or 2.5h whichever comes first	0.1C <sub>1</sub> A (2.0A) for 4h
1.0C <sub>1</sub> A (40.0A)	1h	Every cell >1.57V or 1.25h whichever comes first	0.1C <sub>1</sub> A (2.0A) for 4h

\* Minimum time applies to a battery previously discharged in 20.0V.

\*\* During the last 30 minutes do [Electrolyte level](#) and confirm minimum voltage criteria in [Table 1003](#).

Charge Table  
Table 1002

- (5) Minimum final charge voltage  
During the last 30 minutes of the final charge (Step 2), measure and verify the voltage of each cell ([140](#)) meets the value shown in [Table 1003](#). Identify each cell that does not comply.

CELL VOLTAGE Last 30 minutes at 0.1C <sub>1</sub> A
≥ 1.55V

Final Charge Voltage Limit  
Table 1003

K. Vent valve test

**CAUTION:** THE CELL OPENINGS MUST BE COVERED WITH A CLEAN DAMP CLOTH TO PREVENT ENTRY OF FOREIGN MATTER.

**NOTE:** It is recommended to do this test once a year of battery operation. This test is not necessary if all the vent valves are replaced with Saft new valves ([230](#)) each year or applicable maintenance interval.

**NOTE:** It is recommended to do this test while the battery is on charge.

## COMPONENT MAINTENANCE MANUAL 4037CH

- (1) Check the operation of the vent valve (230) as follows:
  - (a) Using T01, tighten the ¼ turn vent valve (230) that contains O-ring (240) onto the test fixture T05.
  - (b) Attach the fixture T05 to a compressed air line through an adjustable pressure reducing valve limited to 1.38 bar (20 psi).
  - (c) Slowly raise the air pressure to 1.38 bar (20 psi) maximum to test the functionally below.
  - (d) Immerse the valve and end of fixture in water, and slowly raise the pressure. Make sure the valve opens between 0.14 to 0.69 bar (2 to 10 psi).
  - (e) Reuse only those vent valves found to open in the 0.14 to 0.69 bar (2 psi and 10 psi) range. Re-soak vent valves that do not open at 0.69 bar (10 psi) until they do open (refer to [CLEANING](#) on page 4001). Discard vent relief valves which are not gas tight at low pressure.

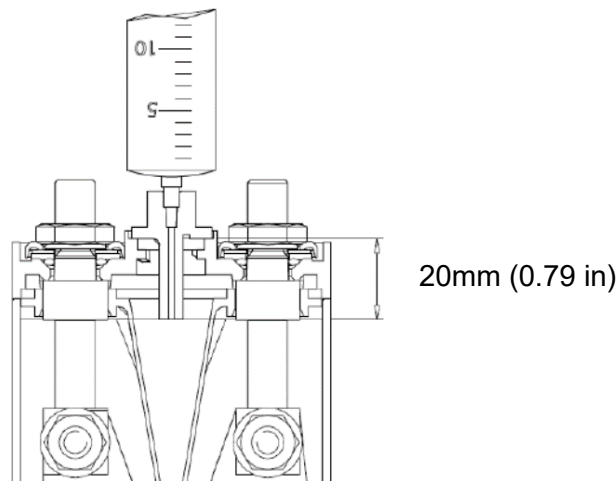
### L. Electrolyte level

This procedure is to be carried out during the last 30 minutes of the final charge (Step 2) at 0.1C<sub>1</sub>A.

**WARNING:** USE CARE NOT TO TILT CELLS WHILE VENT VALVES ARE LOOSENED OR REMOVED; CONTACT OF ELECTROLYTE WITH SKIN CAN CAUSE SEVERE BURNS.

**CAUTION:** USING ANYTHING OTHER THAN M01 IN NICKEL-CADMIUM CELLS WILL CAUSE ELECTROLYTE CONTAMINATION AND DAMAGE. DO NOT RE-USE WATER REMOVED FROM CELLS.

- (1) Remove the ¼ turn vent valves (230) with the T01 taking precautions to prevent foreign substances from entering the cell (140).
  - (a) Clean vent valves (230) by immersing the valves and their O-rings (240) in M01 and let them soak to dissolve any salts.
- (2) Insert T02 into the cell opening until the shoulder of the nozzle rests on the valve seat (refer [Figure 1004](#)).



Position of T02 in Cell Vent Seat  
Figure 1004



COMPONENT MAINTENANCE MANUAL  
4037CH

- (3) Withdraw the plunger and check for any liquid in [T02](#).
  - (a) Any excess liquid in the cell will be drawn into the syringe until the electrolyte level is correct.
  - (b) If the liquid level is too low, the syringe will remain empty, indicating that the end of the syringe nozzle did not reach the liquid in the cell.

**NOTE:** If the quantity of water added per cell exceeds 70 cm<sup>3</sup> (4.27 in<sup>3</sup>), then check the charging system. If the aircraft charging system is functioning properly, the maintenance period may need to be reduced.

1. Draw a measured amount of the [M01](#), such as 5 cm<sup>3</sup> (0.31 in<sup>3</sup>) into the syringe and inject it into the cell.
2. With the syringe nozzle resting on the valve seat, slowly withdraw the plunger into [T02](#).
3. If [T02](#) remains empty, repeat steps 1 and 2, above. counting the total number of cm<sup>3</sup> required to achieve the correct level.
4. At the point in step 2 when some excess liquid is drawn into the [T02](#), the correct level for that cell has been reached. Expel the excess liquid into a separate container for proper disposal of hazardous waste.
5. Record the amount of water added/removed from each cell in the battery logbook or battery test sheet.

- (4) Using [T01](#), tighten the ¼ turn vent valve ([230](#)) on each cell ([140](#)).

M. Capacity test (second discharge)

The purpose of this discharge procedure is to verify minimum battery capacity.

- (1) Prior to doing this capacity check, do [Charge](#) and [Electrolyte level](#).
- (2) Using [T01](#), verify ¼ turn vent valve ([230](#)) is installed on each cell ([140](#)).
- (3) Discharge the battery at one of the current rates shown in [Table 1004](#) until the battery reaches 20.0V to determine and record the times the first cell reaches 1.0V and battery reaches 20.0V.

**NOTE:** It is important that the discharge current be continually kept at the selected value, and that the time of discharge is measured accurately.

**NOTE:** If a cell goes to zero volts or reverses polarity during the discharge, short out that cell's terminals with a [T03](#) for the remainder of the discharge.

DISCHARGE		MINIMUM TIME FOR DISCHARGE TO 20.0V
RATE (C <sub>1</sub> )	CURRENT (AMPS)	
0.5	20.0	122 MINUTES
1.0	40.0	60.0 MINUTES

Capacity Test (Second Discharge)  
Table 1004

- (4) If the time until the first cell reaches 1.0V equals or exceeds the values shown in [Table 1004](#) at the discharge rate the capacity is ≥ 100%, allow the battery to rest at least 2 hours.



COMPONENT MAINTENANCE MANUAL  
4037CH

- (5) If the time the first cell reaches is less than the value shown in [Table 1004](#) at the discharge rate the capacity is < 100%.

N. Special testing

These procedures are to be followed for a battery that does not meet capacity or if the end of charge cell voltage < 1.55V during the final charge. Refer to [Figure 1006](#) flow chart.

**NOTE:** For a new battery or one removed from the aircraft that has not passed capacity after doing the special testing more than 3 times, then it is recommended to replace noncompliant cells with new Saft cells ([140](#)), refer to [All cell replacement](#) recommendation.

**NOTE:** For battery from long-term storage, several complete charge/discharge cycles may be needed to restore performance.

(1) Special testing decision

For a battery with < 100% capacity, do [Low capacity \(Special testing\)](#). Otherwise for a battery with any cell voltage < 1.55V, do [Supplementary test](#).

(2) Low capacity (Special testing)

- (a) Loosen, but do not remove all vent valves ([230](#)) and fully charge the battery as outlined in [Charge](#) section.
- (b) For a battery containing any cell with voltage < 1.55V during the final charge, do [Supplementary test](#). Otherwise, do [Capacity test \(Special testing\)](#).

(3) Supplementary test

- (a) Charge at 0.1C<sub>1</sub>A for an additional 5 hours and monitor the voltage of the individual cells every 30 minutes.

**NOTE:** The additional 0.1C<sub>1</sub>A 5-hour charge may be stopped once all the cells are ≥ 1.55V.

1. Identify for replacement any cell ([140](#)) with voltage < 1.55V.
2. During the last 30 minutes of this charge adjust the [Electrolyte level](#).
3. Do [Cell replacement](#) for cells identified for replacement otherwise do [Capacity test \(Special testing\)](#) below.

**NOTE:** If more than one cell ([140](#)) was replaced due to low charge voltage during the current maintenance cycle, then the replacement of all cells should be considered. Refer to [Cell replacement](#).

(4) Capacity test (Special testing)

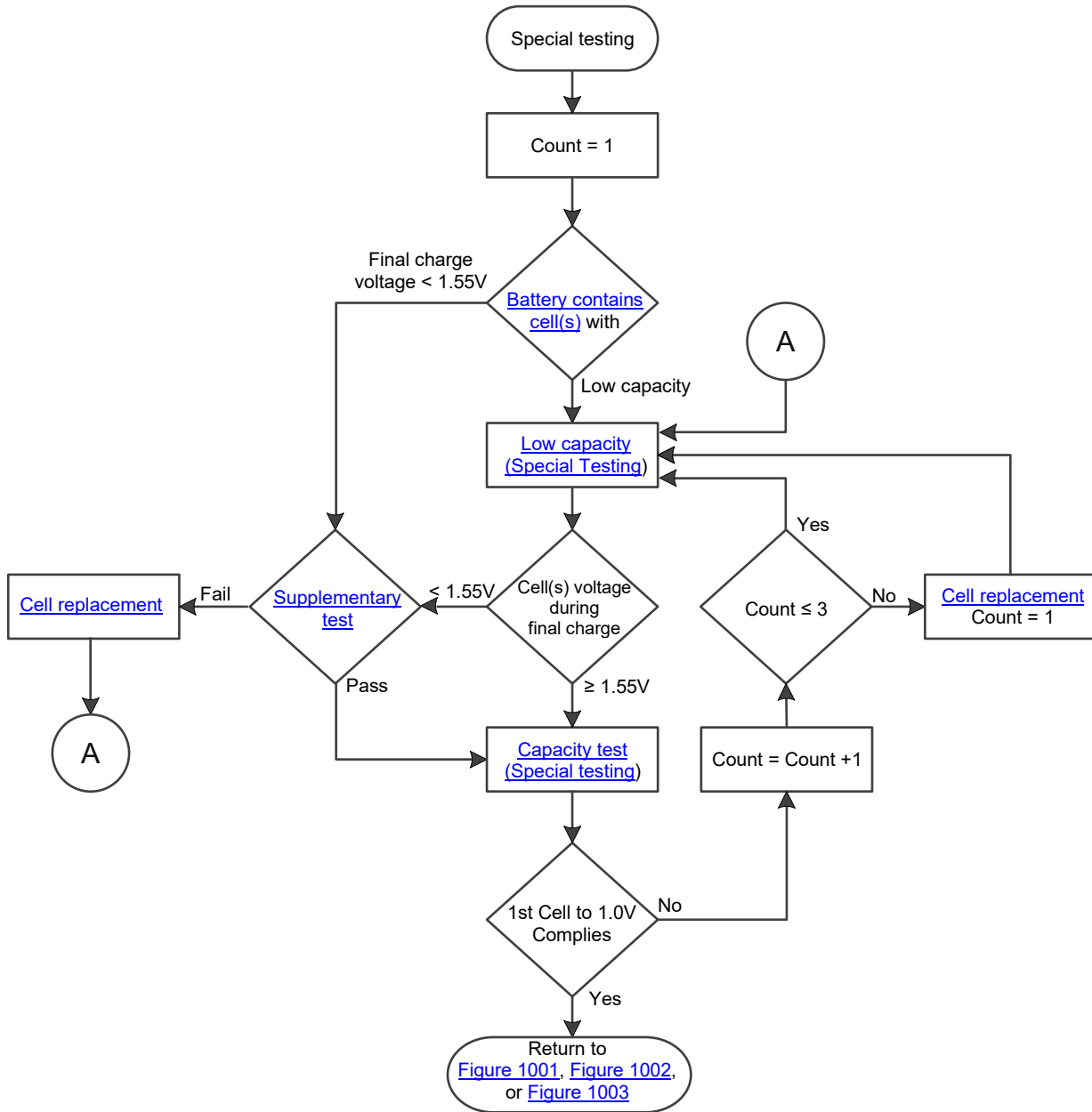
- (a) Using [T01](#), verify the ¼ turn vent valve ([230](#)) is installed on each cell ([140](#)).
- (b) Discharge the battery at a rate shown in [Table 1004](#) until the battery reaches 20.0V. Record the time and current the battery reached 20.0V and identify noncompliant cells with voltages < 1.0V.
- (c) If the time the first cell reaches 1.0V equals or exceeds the values shown in [Table 1004](#) at the applicable discharge rate, return to [Figure 1001](#), [Figure 1002](#) or [Figure 1003](#). Otherwise repeat [Low capacity \(Special testing\)](#) or refer to [Fault Isolation](#).

24-32-04

1011  
Oct 24/2022

## COMPONENT MAINTENANCE MANUAL 4037CH

1. For noncompliant cells that failed this capacity test 3 times, replace with new Saft cells ([140](#)), refer to [Cell replacement](#).



Special Testing Flow Chart  
Figure 1006



COMPONENT MAINTENANCE MANUAL  
4037CH

5. Fault Isolation

Fault isolation information is presented in [Table 1005](#), [Table 1006](#), and [Table 1007](#) as a guide in locating a cause of malfunction and isolating the cause to a specific component.

TROUBLE	PROBABLE CAUSE	REMEDY
(1) No battery voltage	(a) Defective electrical connector (not making contact).  (b) Broken or damaged links, upper nuts	Check electrical contacts, links  Replace if required <a href="#">Power connector replacement</a> , <a href="#">Cell hardware replacement</a> , <a href="#">Link replacement</a> , or torque <a href="#">Upper nut tightness</a>
(2) insulation	(a) Leakage of electrolyte (b) Incorrect electrolyte level (c) Reverse cell polarity (d) Condensation / Contamination (e) Improper cleaning (f) Loose or damage vent valve  (g) Damaged cell case  (h) Charge rate too high	Do <a href="#">Thorough Cleaning</a> , <a href="#">ASSEMBLY</a> , <a href="#">Charge</a> , <a href="#">Electrolyte level</a>  Tighten or replace ¼ turn vent valve, do <a href="#">Thorough Cleaning</a> , <a href="#">ASSEMBLY</a> , <a href="#">Charge</a> , <a href="#">Electrolyte level</a>  Do <a href="#">Thorough Cleaning</a> , <a href="#">Cell replacement</a> , <a href="#">ASSEMBLY</a> , <a href="#">Charge</a> , <a href="#">Electrolyte level</a>  Investigate the cause of the excessive charge. Do <a href="#">Thorough Cleaning</a> , <a href="#">ASSEMBLY</a> , <a href="#">Charge</a> , <a href="#">Electrolyte level</a>
(3) Loss of battery capacity	(a) Normal wear after long service (b) Exceptionally heavy use	Do <a href="#">Special testing</a> up to three times

Battery Faults  
Table 1005



COMPONENT MAINTENANCE MANUAL  
4037CH

TROUBLE	PROBABLE CAUSE	REMEDY
(1) All cells have reserve consumed	(a) Charged more than allowed or charged at high temperature.  (b) Previous maintenance has not been done  (c) Maintenance interval too long	Examine the cause of the excessive charge. Do <a href="#">Charge</a> , <a href="#">Electrolyte level</a> and be sure what for the next maintenance interval.  If this continues a periodical check should be done in between the regular checks.
(2) High water consumption in one or more cells	(a) Damaged separator when the water consumption is less than 30% below the average value of added water in all cells.  (b) Cell imbalance when water addition is more than 30% above the average value of added water in all cells.	Do <a href="#">Charge</a> , <a href="#">Supplementary test</a> .  Do <a href="#">Thorough Cleaning</a> , <a href="#">Cell replacement</a> , <a href="#">ASSEMBLY</a> , <a href="#">Charge</a> , <a href="#">Electrolyte level</a>
(3) Abnormally high cell voltage at beginning of charge	(a) Dry cell	Add 5 to 10 cm <sup>3</sup> (0.31 to 0.61 in <sup>3</sup> ) of distilled water, do <a href="#">Electrolyte level</a> during final charge.
(4) Zero Voltage on cell	(a) Short-circuited cell	Do <a href="#">Cell replacement</a>
(5) Low cell voltage at end of charge	(a) Separator damage	Do <a href="#">Cell replacement</a>
(6) Low cell capacity	(a) Normal wear from long service	Do <a href="#">Cell replacement</a>
(7) Cell with a swollen case	(a) Cell operated with low electrolyte level, deterioration of separator and damaged plates	Do <a href="#">Cell replacement</a>

Cell Faults  
Table 1006





COMPONENT MAINTENANCE MANUAL  
4037CH

TROUBLE	PROBABLE CAUSE	REMEDY
(1) Tarnished or burned links	(a) Loose terminal nuts	Clean and torque per <a href="#">Table 8001</a> or do <a href="#">Power connector replacement</a> or <a href="#">Cell hardware replacement</a> , or <a href="#">Link replacement</a>
(2) Exposed copper material on power connector pin	(a) Mechanical damage (a) Electrical arcing	Do <a href="#">Power connector replacement</a>
(3) Melted plastic on connectors	(a) Overheat due to contact resistance	Do <a href="#">Power connector replacement</a>
(4) Corroded links	(a) Operation in acidic atmosphere (b) Inadequate greasing (c) Mechanical damage to protective nickel-plating	Check room, eliminate acid source. Do <a href="#">Link replacement</a> and lubricate properly Do <a href="#">Link replacement</a> and lubricate properly Do <a href="#">Link replacement</a> and lubricate properly
(5) Battery case and cover damage with dents, deformations, and visible cracks which affect fit or impede performance.	(a) Various, transport (b) Mechanical stress, drop	Replace defective component. Refer to <a href="#">Case replacement</a>

Physical Faults  
Table 1007



COMPONENT MAINTENANCE MANUAL  
4037CH

PAGE INTENTIONALLY LEFT BLANK

**24-32-04**

1016  
Mar 14/2022



COMPONENT MAINTENANCE MANUAL  
4037CH

**DISASSEMBLY**

1. General

This section provides step-by-step instructions on disassembling the complete battery.

**NOTE:** The ( ) part identification numbers herein are [IPL Figure 1](#) item numbers.

2. Detailed Instructions

**WARNING:** BATTERY CELLS DELIVER VERY HIGH CURRENTS WHEN SHORT-CIRCUITED. EXERCISE CAUTION. REMOVE RINGS, WATCHES OR OTHER JEWELRY FROM HANDS AND ARMS.

**WARNING:** BATTERY MUST BE COMPLETELY DISCHARGED BEFORE CELLS CAN BE REMOVED DUE TO POSSIBILITY OF ELECTRIC SHOCK.

**WARNING:** USE CARE NOT TO TILT BATTERY WHILE ¼ TURN VENT VALVES ARE LOOSENED; CONTACT OF ELECTROLYTE WITH SKIN CAN CAUSE SEVERE BURNS.

A. Preparation

- (1) Discharge the battery at one of the current rates shown in [Table 1004](#) until each cell reaches 1.0V.
- (2) Remove the cover ([020](#)).
- (3) Do [Cell shorting](#)

B. Cell ([140](#)) removal

- (1) Remove the nuts ([110](#)), ([150](#)) and washers ([120](#)), ([160](#)) that attach the links ([040](#) through [070](#)) to the cells ([140](#)).
- (2) Remove the links ([040](#) through [070](#)) from the cell terminals.
- (3) Using [T04](#) on the cell terminals as needed to remove cells ([140](#)) from the battery case ([010](#)).

C. Disassembly of the cells ([140](#)) is restricted to replacing defective O-rings ([220](#)) of the cell terminal seals and cell hardware ([170](#)), ([180](#) or [190](#)), ([200](#)), and ([210](#)), refer to [Cell hardware replacement](#).

D. Power connector ([080](#)) removal

- (1) Remove the four screws ([090](#)) from the connector.
- (2) Remove the power connector ([080](#)) with its gasket ([100](#)) from the case ([010](#)).

E. Remove all spacers ([130](#)) and bracket ([030](#)) from the battery case ([010](#)).



COMPONENT MAINTENANCE MANUAL  
4037CH

PAGE INTENTIONALLY LEFT BLANK

**24-32-04**

3002  
Mar 14/2022



COMPONENT MAINTENANCE MANUAL  
4037CH

**CLEANING**

1. General

**CAUTION:** DO NOT USE PETROLEUM SPIRITS, TRICHLOROETHYLENE, OR OTHER SOLVENTS FOR CLEANING THE BATTERY. USE OF THESE PRODUCTS MAY DETERIORATE THE INTEGRITY OF METAL PARTS.

**NOTE:** The ( ) part identification numbers herein are [IPL Figure 1](#) item numbers.

A. The following items are required to for the cleaning procedures (equivalent substitutes can be used):

- (1) Stiff bristled brush (nonmetallic)
- (2) Dry compressed air source, less than 1.38 bar (20 psi)
- (3) Safety goggles
- (4) Lubricant, non-acid petroleum jelly, [M02](#)
- (5) Soft, clean cloth (two required)
- (6) Running water
- (7) Mild Soap, [M03](#)
- (8) Distilled or de-ionized water, [M01](#)

2. Light Cleaning

A. The following procedures are for an assembled battery with cover ([020](#)), removed.

B. Using [T01](#) make sure the ¼ turn vent valve ([230](#)) of each cell ([140](#)) is closed and secure. Do not over-tightened.

C. Remove white deposits (potassium carbonate) from tops of all cells ([140](#)) using a stiff bristled nonmetallic brush.

**WARNING:** TO PREVENT INJURY WHEN USING COMPRESSED AIR, DIRECT STREAM AWAY FROM BODY AND USE SAFETY GOGGLES TO PREVENT EYE INJURIES FROM FINE DUST PARTICLES.

D. Disperse residual salts and dust particles from the battery using blasts of clean, dry compressed air not over 1.38 bar (20 psi).

E. Coat all nuts ([110](#)), ([150](#)), washers ([120](#)), ([160](#)) and links ([040](#) through [070](#)) with light film of [M02](#).

**CAUTION:** SILICONE COATINGS ARE NOT SUITABLE DUE TO THE ALKALINE ELECTROLYTE.

F. Clean the exterior surfaces of the battery cover ([020](#)) and battery case ([010](#)) using a soft, clean cloth, moistened with water. Dry with compressed air or a dry clean cloth.



COMPONENT MAINTENANCE MANUAL  
4037CH

3. Thorough Cleaning

- A. The battery must be discharged (refer to [Initial discharge](#) and [Cell shorting](#)) and disassembled (refer [DISASSEMBLY](#)).
- B. Remove greasy residue from power connector ([080](#)) with warm mild soapy [M03](#) water.
- C. After ensuring that the ¼ turn vent valves ([230](#)) are closed, wash each cell ([140](#)) in running water. Do not allow any water to enter the cell. Dry with compressed air or a dry, clean cloth.
- D. Wash the battery case ([010](#)), cover ([020](#)), bracket ([030](#)), spacers ([130](#)), gasket ([100](#)), nuts ([110](#)), ([150](#)), washers ([120](#)), ([160](#)), and screws ([090](#)) in warm mild soapy [M03](#) water to remove dirt and salt deposits. A plastic scraper or a stiff bristled brush (nonmetallic) may be used to aid in the removal of heavy deposits. Rinse away all [M03](#) and dry with compressed air or a dry, clean cloth.



## COMPONENT MAINTENANCE MANUAL

4037CH

### CHECK

#### 1. General

This section contains battery inspection information. The procedures are written in step-by-step formats that follow the process flow outlined in [Figure 1001](#), [Figure 1002](#), or [Figure 1003](#).

**NOTE:** All voltage readings are DC unless specifically otherwise stated.

**NOTE:** All ( ) part identification numbers herein are [IPL Figure 1](#) item numbers.

#### 2. Initial New Battery Commissioning

A. Before the initial charge, thoroughly inspect the battery assembly to ensure no damage has occurred during shipping or storage as follows:

**NOTE:** For a new battery not receiving its initial commission within one year of its DOM, then battery must follow [Figure 1002](#)

- (1) Inspect the battery case ([010](#)) and cover ([020](#)) for dents, distortion, or other damage. Replace the cover ([020](#)) and case ([010](#)) as needed.
- (2) Remove the battery cover ([020](#)).
- (3) Visually verify the power connector ([080](#)) is present and undamaged.
- (4) Visually verify all cells ([140](#)) are positioned for proper polarity per [Figure 7002](#).
- (5) Visually verify all cells ([140](#)) are equipped with a ¼ turn vent valve ([230](#)).
- (6) Tighten all upper cell nuts ([150](#)) and connector nuts ([110](#)) per [Table 8001](#).

B. Charge the battery per [Charge](#) on page [1007](#) and level electrolyte per [Electrolyte level](#) on page [1009](#).

C. Perform successful [Battery insulation](#) test and install battery cover ([020](#)), then the battery is ready for service.

#### 3. Component Inspection

##### A. Cell ([140](#))

- (1) Visually inspect for evidence of electrolyte leakage, cracks, corrosion, burns, holes, or cross-threaded terminals. Replace any defect cells with new Saft cells ([140](#)).
- (2) Excessive salt around a terminal post indicates leakage. Refer to [Cell hardware replacement](#) on page [6002](#) for replacement of lower terminal O-ring ([220](#)) if leakage is evident.
- (3) Visually check each cell vent valve ([230](#)) for a defective O-ring ([240](#)), cracks, or other physical damage. Replace if defective with new Saft components.
  - (a) Suspect vent valves should be tested in accordance with [Vent valve test](#) and/or be discarded.
- (4) Inspect the nuts ([170](#)), washers ([180](#)), ([190](#)), ([200](#)), and ([210](#)) to ensure it is free of bends, tarnish, corrosion, burns, or loss of plating. Minor tarnish can be polished off with a fine wire brush. Refer to [Cell hardware replacement](#).

**24-32-04**

5001

Oct 24/2022



COMPONENT MAINTENANCE MANUAL  
4037CH

- B. Inspect the upper nuts ([110](#)), ([150](#)) and washers ([120](#)), ([160](#)) to ensure it is free of bends, tarnish, corrosion, burns, or loss of plating. Minor tarnish can be polished off with a fine wire brush. Defective hardware should be replaced with new Saft components.
- C. Intercell terminal links ([040](#) through [070](#))  
Inspect for bends, tarnish, loss of nickel plating, corrosion, or burns. Tarnish can be polished off with a fine wire brush. Replace any defective intercell links with new Saft components.
- D. Spacers ([130](#))  
The spacers ([130](#)) should be clean and free of cracks or holes. Replace any that are defective with new Saft components.
- E. Power connector ([080](#))  
**CAUTION:** A DEFECTIVE BATTERY POWER CONNECTOR CAN CAUSE DANGEROUS OVERHEATING AND IN-SERVICE LOW VOLTAGE DURING DISCHARGE.
  - (1) Check the power connector ([080](#)) for evidence of arching, corrosion, cracks, or cross threaded terminals.
  - (2) Using the same method in [Battery insulation](#) check on page [1006](#), check the insulation between the positive pin and the connector shell and the negative pin and connector shell.
  - (3) Discard any power connector ([080](#)) that is found to have any of the above noted damage or fails the insulation test. Replace with new Saft power connector ([080](#)).
- F. Battery cover ([020](#)), case ([010](#)), bracket ([030](#))  
Inspect the component for physical damage. If found, replace with new Saft cover ([020](#)), case ([010](#)), or bracket ([030](#)).





## COMPONENT MAINTENANCE MANUAL

4037CH

### REPAIR

#### 1. General

This section contains basic battery procedures for removing and replacing components.

**NOTE:** The ( ) part identification numbers herein are [IPL Figure 1](#) item numbers.

**NOTE:** All voltage readings are DC unless specifically otherwise stated.

#### 2. Required Test Equipment

**NOTE:** Test equipment having equivalent specifications can be used.

Refer to [Special Tools, Fixtures, Equipment, and Consumables](#) for listing of Standard Tools.

#### 3. Component Replacement

##### A. Cell replacement ([140](#))

Battery containing cell(s) require replacement. Note the [All cell replacement](#) recommendation below.

##### (1) All cell replacement

- (a) For a battery compliant with the following then it is best to assume that all the original cells are or soon will be in unsatisfactory condition. Saft strongly recommends all cells ([140](#)) should be replaced with new Saft cells for a battery having:

1. 3 or more cells are replaced during the same maintenance interval.

Or

2. 1 or more cells are found to be faulty due to low capacity during this maintenance period and 5 of the original cells in the battery had been previously replaced due to low capacity.

**NOTE:** The recommendation does not apply to the following failures:  
terminal thread damage, cell leakage, or cell short-circuit

##### (2) Procedure

- (a) Discharge the battery completely by doing a [Cell shorting](#).
- (b) Remove the necessary hardware; nuts ([110](#)), ([150](#)), washers ([120](#)), ([160](#)), and intercell connecting links ([040](#) through [070](#)) to remove the defective cell.
- (c) Attach [T04](#) to the cell's terminal and remove the cell ([140](#)) from the case using a steady upward pull.
- (d) Insert a new Saft cell ([140](#)) into the case and pushing it downward on the cell terminals with a small block of soft wood, if necessary (refer [All cell replacement](#)).

**NOTE:** New cells must be discharged before installation is done

- (e) As needed, attach intercell connecting links ([040](#) through [070](#)), washers ([120](#)), ([160](#)), nuts ([110](#)), ([150](#)), and torque nuts ([110](#)), ([150](#)) per [Table 8001](#).

**24-32-04**

6001

Oct 24/2022



COMPONENT MAINTENANCE MANUAL  
4037CH

- B. Lower nut (170) tightness
- (1) Remove necessary hardware; nuts (110), (150), washers (120), (160), and links (040 through 070). Torque the lower nut (170) per Table 8001.
  - (2) Install necessary hardware; links (040 through 070), washers (120), (160), and nuts (110), (150). Torque nuts (110), (150) per Table 8001.
- C. Cell hardware (170), (180 or 190), (200), (210), or O-ring (220) replacement

**WARNING:** USE CARE NOT TO TILT CELLS WHILE LOWER HARDWARE ARE LOOSENED OR REMOVED; CONTACT OF ELECTROLYTE WITH CAN CAUSE SEVERE BURNS.

**NOTE:** The battery should be discharged prior to starting cell hardware replacement.

- (1) Replace necessary cell hardware (170), (180) (190), (200), or (210) with new Saft components by removing and replacing the nuts (110), (150), washers (120), (160), and links (040 through 070). Torque nuts (110), (150) per Table 8001.
- (2) Terminal O-ring (220) replacement
  - (a) Remove necessary hardware; nuts (110), (150), washers (120), (160), and links (040 through 070).
  - (b) Remove lower terminal nut (170), washers (180 or 190), (200), (210) and terminal O-ring (220) being careful to prevent anything from falling into the cell opening.
  - (c) Replace O-ring (220) per IPL, install washers (180 or 190), (200), (210), and torque lower terminal nut (170) per Table 8001.

**NOTE:** Spring washers (200) should be put in parallel, stacked in the same direction with the larger edge downward on the terminal.

- (d) Install the necessary links (040 through 070), washers (120), (160), and torque nuts (110), (150) per Table 8001 as required.
- D. Link replacement (040 through 070)
- (1) As needed, remove the nuts (110), (150) and washers (120), (160) from the link.
  - (2) For links (040 through 070) as required, replace with new Saft components.
  - (3) Install washers (120), (160) and nuts (110), (150). Torque the nuts (110), (150) per Table 8001.

- E. Vent valve O-ring (240) replacement

**WARNING:** USE CARE NOT TO TILT CELLS WHILE ¼ TURN VENT VALVES ARE OPEN OR REMOVED; CONTACT OF ELECTROLYTE WITH CAN CAUSE SEVERE BURNS.

- (1) Using T01 loosen and remove the ¼ turn vent valve (230) from the cell (140).
- (2) Remove and replace the defective O-rings (240) per IPL from the vent valve (230).
- (3) Using T01 tighten the ¼ turn vent valve securely in place.



COMPONENT MAINTENANCE MANUAL  
4037CH

- F. Power connector ([080](#)) replacement
- (1) Remove the nuts ([110](#)), ([150](#)) and washers ([120](#)), ([160](#)) that attach the links ([070](#)) to the power connector ([080](#)) and remove the links ([070](#)).
  - (2) Remove and replace the power connector ([080](#)) with a new Saft component with its gasket ([100](#)) from the case ([010](#)) by removing and replacing four screws ([090](#)).
  - (3) Torque the four screws ([090](#)), refer to [Table 8001](#).
  - (4) Install links ([070](#)), nuts ([110](#)), ([150](#)), and washers ([120](#)), ([160](#)). Torque nuts ([110](#)), ([150](#)) per [Table 8001](#).
- G. Battery case ([010](#)) replacement
- (1) Do [DISASSEMBLY](#)
  - (2) Replace case ([010](#)) with new Saft component and do [ASSEMBLY](#).

**24-32-04**

6003  
Mar 14/2022



COMPONENT MAINTENANCE MANUAL  
4037CH

PAGE INTENTIONALLY LEFT BLANK

**24-32-04**

6004  
Oct 24/2022

## ASSEMBLY

1. General

This section contains assembly instructions necessary after disassembly.

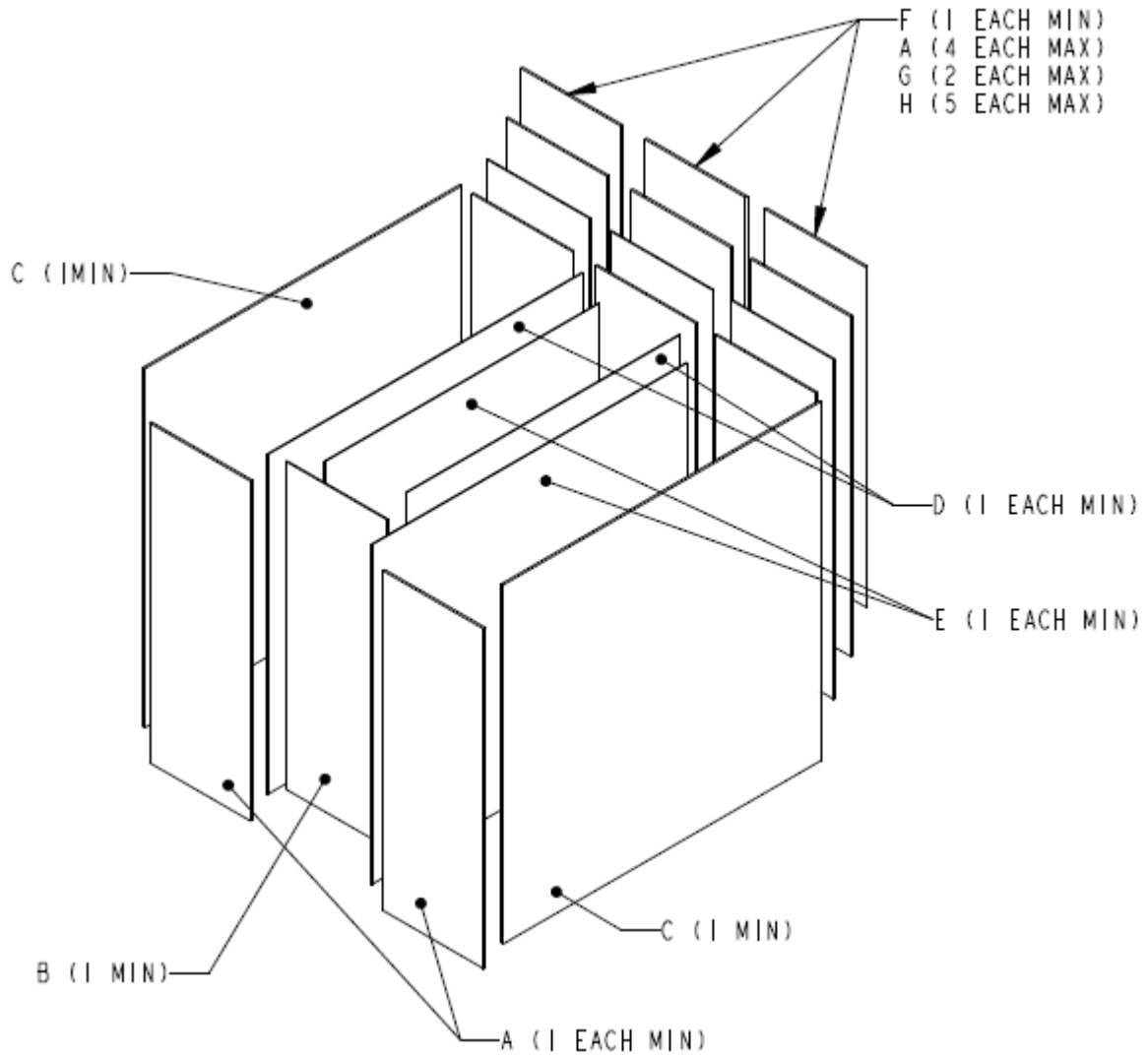
**NOTE:** Make sure all components are clean and dry before re-assembly.

**NOTE:** All ( ) part identification numbers herein are [IPL Figure 1](#) item numbers.

2. Spacers (130), Bracket (030), and Cells (140)

A. Insert bracket (030) into the front of the case (010) in the center row.

B. Insert all spacers (130) as shown in [Figure 7001](#) and listed [Table 7001](#).



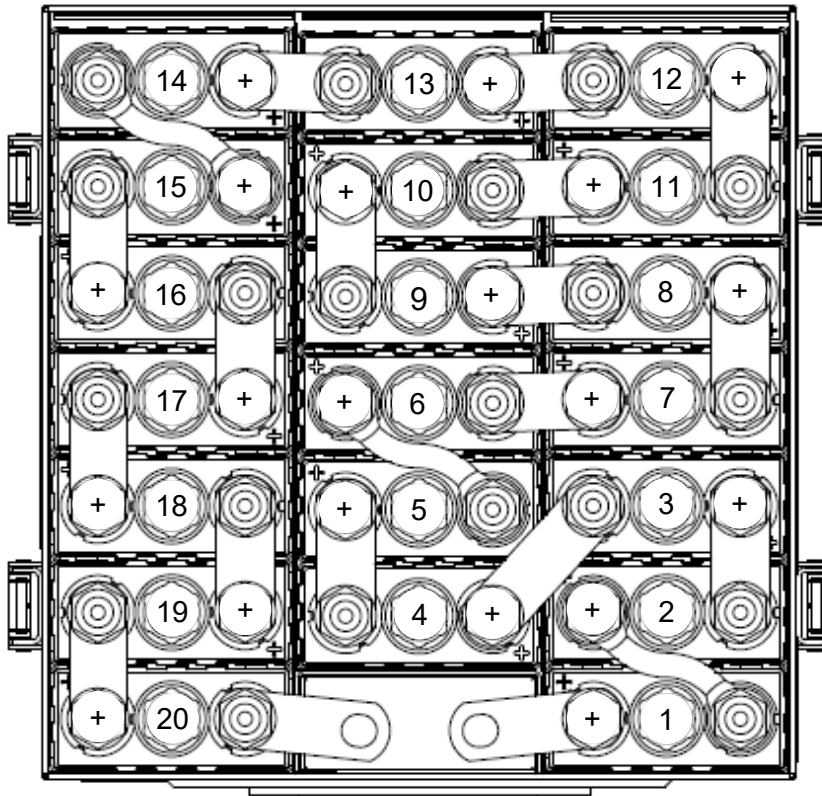
Battery Spacer Kit  
Figure 7001

## COMPONENT MAINTENANCE MANUAL 4037CH

ITEM	DESCRIPTION	DIMENSION (IN)	UNITS PER ASSEMBLY
A	SPACER	3.12 x 8.93 x 0.060	14
B	SPACER	3.12 x 8.62 x 0.030	1
C	SPACER	9.63 x 9.44 x 0.060	2
D	SPACER	9.63 x 9.56 x 0.020	2
E	SPACER	8.31 x 8.63 x 0.020	2
F	SPACER	3.12 x 8.93 x 0.050	3
G	SPACER	3.12 x 8.93 x 0.020	6
H	SPACER	3.12 x 8.93 x 0.030	15

Battery Spacer Kit  
Table 7001

- C. Insert twenty cells ([140](#)), being careful to position them correctly for polarity as shown in [Figure 7002](#) and push gently with a piece of softwood placed against the terminals.



Cell Number and Polarity Orientation  
Figure 7002



COMPONENT MAINTENANCE MANUAL  
4037CH

3. Power connector (080) and Links (040 through 070)
  - A. Install the power connector (080) with its gasket (100) and torque with the four Sems screws (090) per [Table 8001](#).
  - B. Install the links (040 through 070) on the terminals.
  - C. Lightly lube with [M02](#) cell terminals, nuts, links, and connector contacts using a nonmetallic brush.
  - D. install the washers (120), (160) and nuts (110), (150). Torque the nuts (110), (150) per [Table 8001](#).
  - E. Lightly lube with [M02](#) any other components that might be susceptible to atmospheric corrosion.
4. Complete Battery

Install the cover (020) on the battery case (010) and close the battery with the latches.



COMPONENT MAINTENANCE MANUAL  
4037CH

PAGE INTENTIONALLY LEFT BLANK

**24-32-04**

7004  
Mar 14/2022





COMPONENT MAINTENANCE MANUAL  
4037CH

**FITS AND CLEARANCES**

1. Torque Table

IPL FIGURE	ITEM NUMBER	TORQUE VALUE		NAME, LOCATION
		Nm	lb <sub>f</sub> -in	
1	<a href="#">090</a>	2.3 ± 0.2	20 ± 2	Screw, Power connector
1	<a href="#">110, 150</a>	8.0 ± 0.8	71 ± 7	Nut, Upper
1	<a href="#">170</a>	5.0 ± 0.5	44 ± 4	Nut, Lower Terminal

Torque Values  
Table 8001

2. Fits and Clearances Table

No fits and clearances required.



COMPONENT MAINTENANCE MANUAL  
4037CH

PAGE INTENTIONALLY LEFT BLANK

**24-32-04**

8002  
Mar 14/2022



COMPONENT MAINTENANCE MANUAL  
4037CH

**SPECIAL TOOLS, FIXTURES, EQUIPMENT, AND CONSUMABLES**

1. Special Tools

A. Battery maintenance kit

**NOTE:** Equivalent tools can be used.

**NOTE:** A special tool kit (P/N 416161) is available from Saft containing special tools T01, T02, T03, and T04 housed in a polypropylene box.

- (1) [T02](#) (P/N 416232) is assembled using syringe P/N 105112 and nozzle P/N 104184. [T02](#) (P/N 020916-001) is assembled using syringe P/N 018327-000 and nozzle P/N 020914-001.

ITEM	DESCRIPTION	09052 P/N	F6177 P/N
T01	Universal vent wrench	093365-000	413876
T02	Syringe assembly (with nozzle 20 mm (0.79 in))	020916-001	416232
T03	1.2Ω 3W equalizing resistors	-	164829
T04	Universal cell extraction tool	-	416159
	M10x1.25 tool	017556-000	-
T05	Vent Valve adapter for MS valves	024398-000	-

Special Tools  
Table 9001

2. Standard Tools

A. The following items are recommended to do the procedures described in this manual. When necessary equivalent substitutes may be used.

- Constant current charger (DC current range 0 – 60A, minimum open DC voltage 40V)
- Constant current load bank (DC current range 0 – 60 A, DC voltage range 1 – 40V)
- Megohmmeter (0 – 50MΩ @ 250 V DC continuous)
- Precision Multimeter (Volt, Ω, mA) 2000 count, accuracy 1% or better
- Torque Wrench (Insulated) 0 to 15 N-m (0 to 133 lb<sub>f</sub>-in)
- Torque Screwdriver 0 to 3.4 N-m (0 to 30 lb<sub>f</sub>-in)
- Thermometer, Immersion
- Standard mechanic's tools
- Safety gloves
- Protective goggles
- Safety shoes
- Eye wash
- Protective apron.
- Stiff bristle brush (non-metallic)
- Small paintbrush (non-metallic)
- Dry, compressed air source [less than 1.38 bar (20 psi)]
- Soft, clean cloth (at least two required)



COMPONENT MAINTENANCE MANUAL  
4037CH

3. Consumables

**NOTE:** Equivalent alternatives can be used for list items.

This paragraph describes the consumables used in the CMM.

ITEM	DESIGNATION PART NUMBER AND SPECIFICATION DESCRIPTION	MANUFACTURER OR SUPPLIER (NAME, ADDRESS, CODE)
M01	Distilled or deionized water @ +20°C ± 5°C (+68°F ± 9°F): Clear, colorless, and odorless while boiling. Conductivity < 33 µS/cm 5 < pH < 7 Mn-COD < 30 mg/l (1.7 x 10 <sup>-5</sup> oz/in <sup>3</sup> ) (Chemical Oxygen Demand, methodology to evaluate organic or mineral pollution) Chlorines Cl <sup>-</sup> < 5 mg/l (2.9 x 10 <sup>-6</sup> oz/in <sup>3</sup> ) Sulfates SO <sub>4</sub> <sup>2-</sup> < 10 mg/l (5.8 x 10 <sup>-6</sup> oz/in <sup>3</sup> )  STORAGE: dry and clean container without any corrosion and damage; Temperature: 20°C ± 5°C (68°F ± 9°F). Over 1 year of storage, do an analysis of the liquid.	Local Vendor
M02	Neutral petroleum jelly Density @ +60°C (+140°F) Range = 0.840 to 0.866 kg/l (0.486 to 0.501 oz/in <sup>3</sup> ) Melting Point Range = +46°C to +52°C (+115°F to +126°F) Acidity/Alkalinity = Neutral to Litmus	Mineral Vaseline NATO: S 743 F: AIR 3565 US: VV-P-236A UK: DEF 2333
M03	Mild Soap	Local Vendor

Consumables  
Table 9002



COMPONENT MAINTENANCE MANUAL  
4037CH

**ILLUSTRATED PARTS LIST**

1. Introduction

A. Purpose

This section provides illustrations and parts breakdown of the battery, which can be disassembled, replaced, and reassembled.

B. Explanation and usage of section

(1) Assembly order indenture system

The Indenture System used in the parts list shows the relationship of one part to another. For a given item, the number of indentures depicts the relationship of the item to the associated next higher assembly.

(2) Effectivity code

Reference letters (A, B, C, etc.) are assigned in the EFF CODE column to each top assembly. The reference letter of the applicable top assembly is also shown in the EFF CODE column for each detail part and subassembly except that no reference letter is shown for detail parts and subassemblies used on all top assemblies.

(3) Quantity per assembly

The UNITS PER ASSY column shows the total number of units required per assembly, per subassembly, and per sub-subassembly as applicable. The letters REF indicates the item is listed for reference purposes.

(4) Parts replacement data

Interchangeability information will be provided in a future manual revision if it becomes applicable.

(5) Service Bulletin incorporation

Service Bulletin incorporation information applicable to the parts list will be provided in a future manual revision if it becomes applicable.

(6) Items not illustrated

Items not illustrated are indicated by a dash (-) ahead of the item numbers in the FIGURE and ITEM NO. column.

**24-32-04**

10001  
Mar 14/2022



COMPONENT MAINTENANCE MANUAL  
4037CH

- (7) Alpha variant item numbers
  - (a) Alpha variants A - Z (except I and O) are assigned to existing item numbers when necessary to show:
    - 1. Added items
    - 2. Service Bulletin modifications
    - 3. Configuration differences
    - 4. Optional parts
    - 5. Product improvement parts (non-service bulletin)
  - (b) Alpha variant item numbers are not shown on the exploded view when the appearance and location of the alpha variant item is the same as the basic item.
- (8) Vendors

The vendor of all parts shown in the parts list is as follows:

<b>CAGE CODE</b>	<b>NAME / ADDRESS</b>	<b>CAGE CODE</b>	<b>NAME / ADDRESS</b>
<b>09052</b>	Saft America Inc. 711 Gil Harbin Industrial Boulevard Valdosta, GA 31601, USA  Phone: +1 (229) 247-2331 Fax: +1 (229) 247-8486	<b>F6177</b>	Saft 126 quai Charles Pasqua  92300 Levallois-Perret, France  Phone: +33 1 58 63 16 00 Fax: +33 1 58 63 16 18



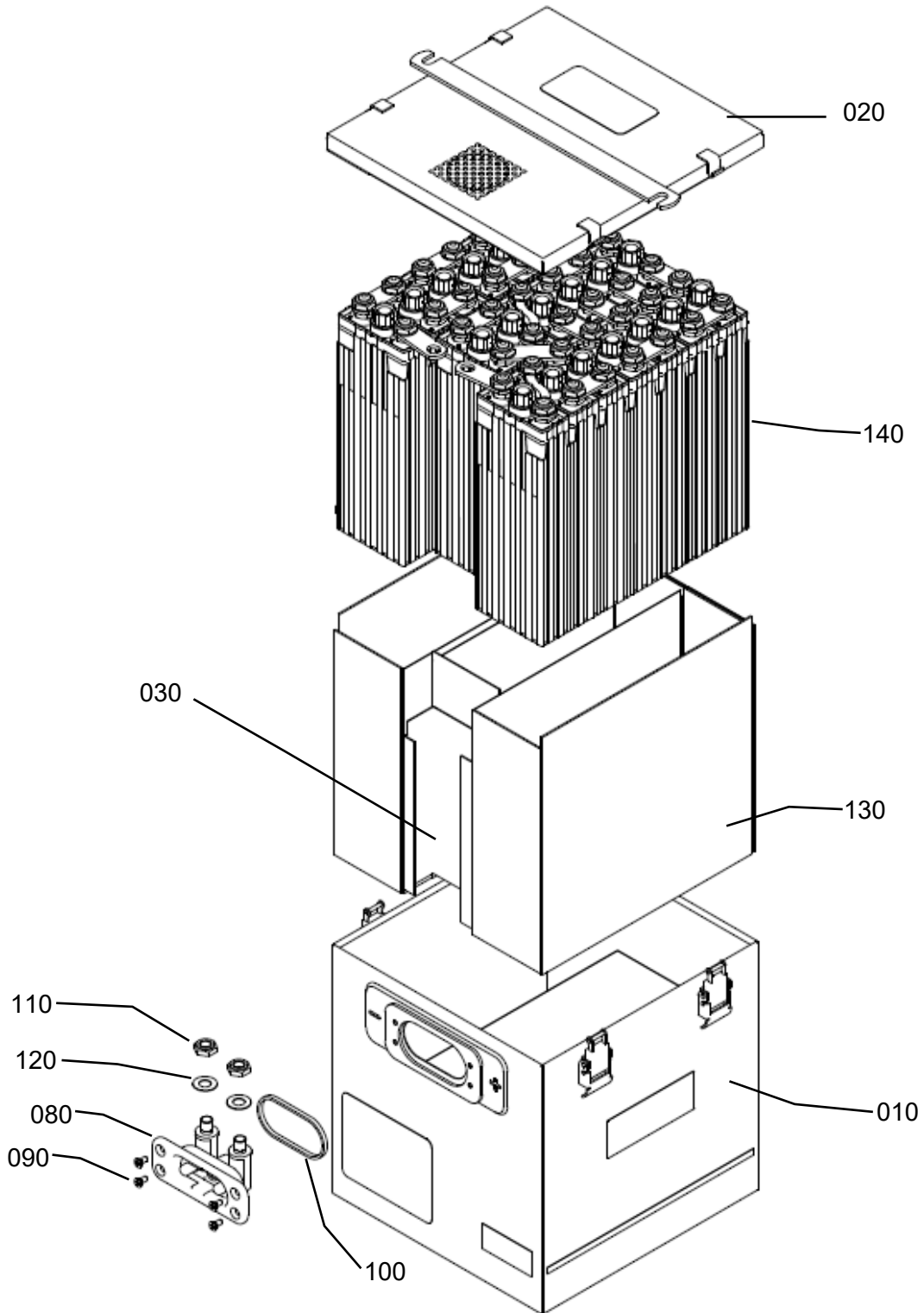
COMPONENT MAINTENANCE MANUAL  
4037CH

2. Numeric Index

PART NUMBER	AIRLINE STOCK NUMBER	FIGURE NUMBER	ITEM NUMBER	UNIT	UNITS PER BATTERY
009384-000			100	EA	1
012536-002			240	EA	20
015575-000			040	EA	15
015576-000			060	EA	3
015577-000			070	EA	2
015578-000			050	EA	1
015579-000			110, 150, 170	EA	82
018262-000			020	EA	1
018890-000			030	EA	2
021442-000			130	EA	1
021870-000			210	EA	40
021871-000			200	EA	80
022077-000			080	EA	1
022228-000			120, 160	EA	42
023388-001			180	EA	20
023388-002			190	EA	20
023504-000			140	EA	20
023619-000			230	EA	20
024808-000			010	EA	1
024809-000			-1	EA	RF
091181-002			220	EA	40
093616-000			090	EA	4

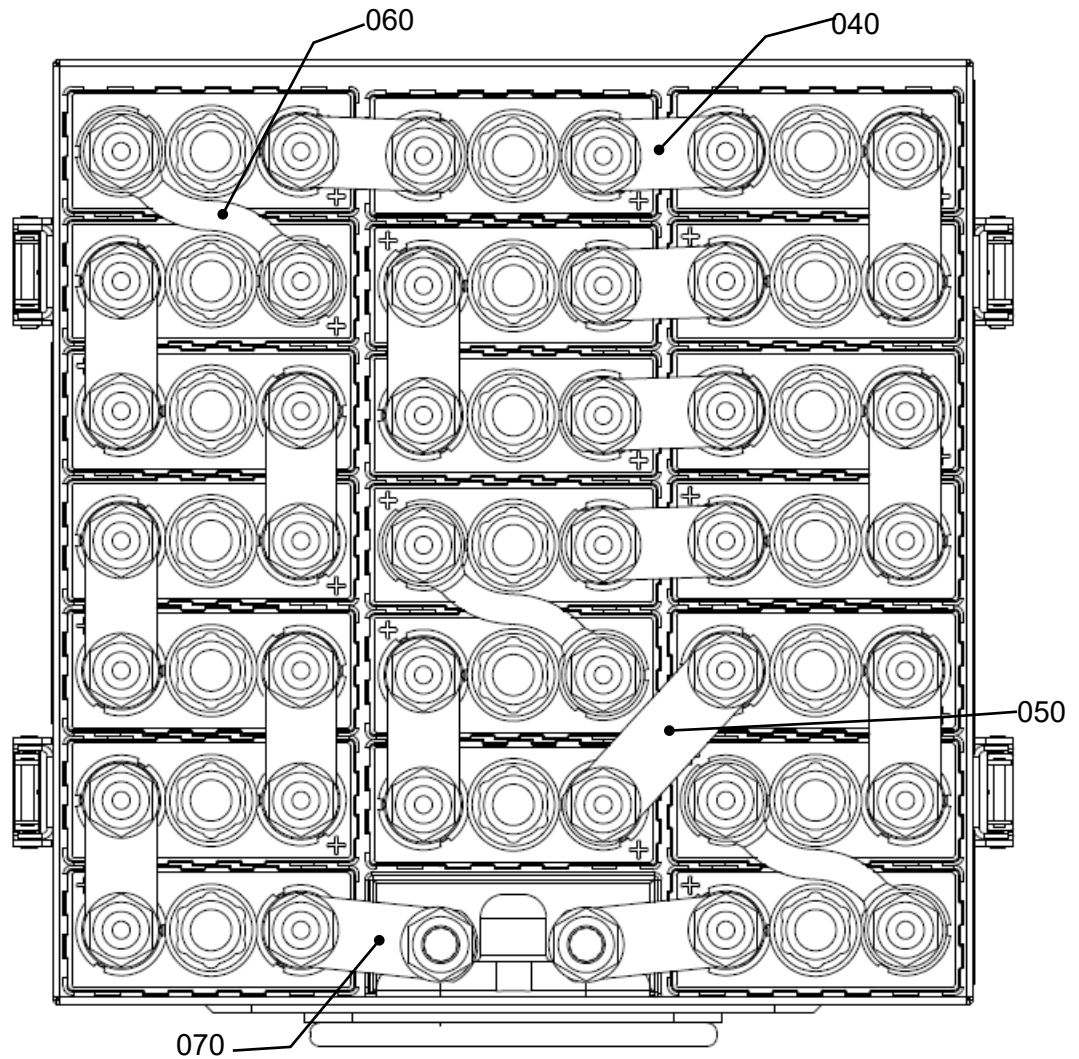
**24-32-04**

10003  
Mar 14/2022



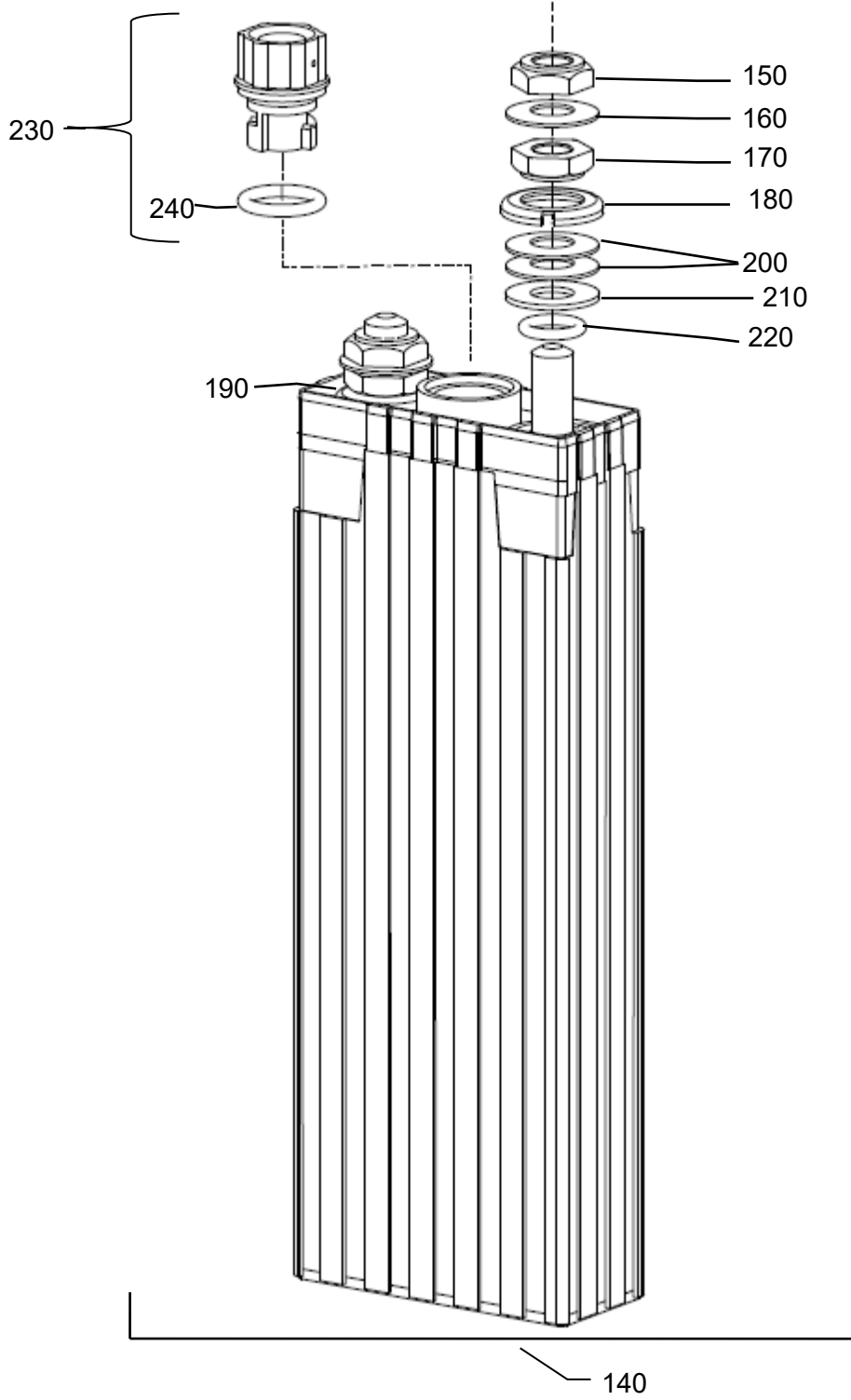
Battery, Exploded View  
IPL Figure 1 (Sheet 1 of 3)





Battery, Exploded View  
IPL Figure 1 (Sheet 2 of 3)

## COMPONENT MAINTENANCE MANUAL 4037CH



Battery, Exploded View  
IPL Figure 1 (Sheet 3 of 3)



COMPONENT MAINTENANCE MANUAL  
4037CH

3. Detail Parts List

FIG	ITEM	PART NUMBER	AIRLINE STOCK NUMBER	DESCRIPTION	USAGE CODE	QTY
				1 2 3 4 5 6 7		
1	-1	024809-000		Battery Assembly, 4037CH		RF
	010	024808-000		. Case, Marked		1
	020	018262-000		. Cover Assembly, Marked		1
	030	018890-000		. Bracket, Spacer Assembly		1
	040	015575-000		. Link		15
	050	015578-000		. Link		1
	060	015576-000		. Link		3
	070	015577-000		. Link		2
	080	022077-000		. Connector, Power		1
				Attaching Parts		
	090	093616-000		. Screw, #8-32, SEMS		4
				* * *		
	100	009384-000		. Gasket, Connector		1
	110	015579-000		. Nut, Upper Connector		2
	120	022228-000		. Washer, Belleville		2
	130	021442-000		. Kit, Spacer		1
	140	023504-000		. Cell, CVH400KA-AC with hardware		20
	150	015579-000		. . Nut, Upper Terminal		2
	160	022228-000		. . Washer, Belleville		2
	170	015579-000		. . Nut, Lower Terminal		2
	180	023388-001		. . Washer, Polarity Red		1
	190	023388-002		. . Washer, Polarity Blue		1
	200	021871-000		. . Washer, Belleville		4
	210	021870-000		. . Washer, Flat		2
	220	091181-002		. . O-Ring, Lower Terminal		2
	230	093882-000		. . Valve, Vent, Modified		1
	240	012536-002		. . . O-Ring, Vent Valve		1

DASH (-) ITEM NOT ILLUSTRATED

**24-32-04**

10007  
Oct 24/2022



COMPONENT MAINTENANCE MANUAL  
4037CH

PAGE INTENTIONALLY LEFT BLANK

**24-32-04**

10008  
Oct 24/2022



COMPONENT MAINTENANCE MANUAL  
4037CH

**STORAGE (INCLUDING TRANSPORTATION)**

1. Storage

- A. Storage preparation and packaging makes sure the equipment is protected against any attack by atmospheric agents.
- B. For a battery which has been cleaned and serviced and is not directly put into service on board an aircraft, different methods can be recommended depending on the purpose and the environment conditions of the "storage".
- C. Keep the batteries and spares in a dry and clean room.

2. Inactive Long-term Storage

A. Procedure

(1) The following must be done to any battery with prior service history.

- (a) [Charge](#), [Electrolyte level](#), [Vent valve test](#), and [Capacity test](#).

**NOTE:** It is not necessary that it be short circuited. There is no need of maintenance operation during the storage period.

**NOTE:** The standard cardboard packaging is considered unsealed and allows 2 years of storage. Storage is allowed for 10 years if the following conditions are met: sealed packaging and isolated from harmful agents (i.e.: dirt, dust, vibrations, or corrosive atmosphere).

- sealed packaging,
- temperature: +5°C to +35°C (+41°F to +95°F),
- humidity < 90 %,
- normal vertical position,
- Isolated from detrimental agents: i.e., dirt, dust, dampness, vibration, corrosive atmosphere.

(2) Saft Ni-Cd batteries may be stored in temperatures ranging from -55°C to +5°C or +35°C to +60°C (-67°F to +41°F or +95°F to +140°F) for an accumulated exposure that does not exceed 30 days.

(3) Lead batteries must not be stored in the same room.

B. Servicing at end of long-term storage

STORAGE TIME	SERVICE PROCEDURE
Less than or equal to 12 months	Do <a href="#">Visual inspection</a> and return to <a href="#">Figure 1002</a> entry point " <a href="#">C</a> "
More than 12 months	Do <a href="#">Charge</a> and return to <a href="#">Figure 1002</a> entry point " <a href="#">Regular Check</a> "

Return to Service Following Storage  
Table 15001

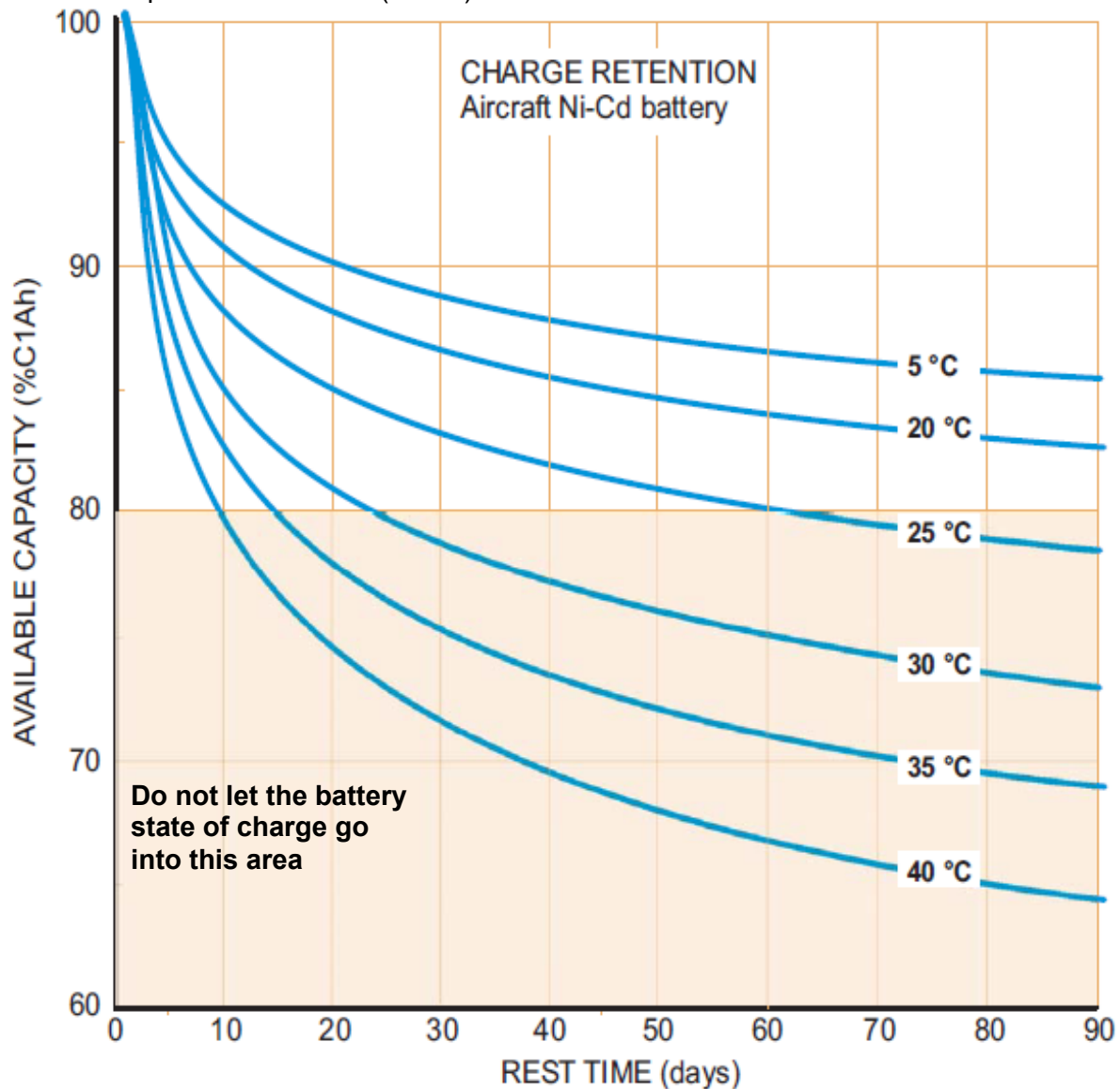
### 3. Inactive Standby Storage

The battery is charged after being serviced then stored fully charged in a dedicated room in such a way that it can be installed in the aircraft without further maintenance except as provided within this section. Refer to [Figure 15002](#).

**NOTE:** At any time during the Inactive standby storage shown in [Figure 15002](#), the battery may be installed on the aircraft or placed into [Inactive Long-Term Storage](#).

**NOTE:** For a battery previously stored at a temperature below ambient temperature, condensation within the battery may occur, do [Battery insulation](#) before installation.

A. Standby period is the rest time that corresponds to 80% available capacity shown in [Figure 15001](#). For example, maximum 24 days at +30°C (+86°F) or maximum 90 days for temperatures ≤ +23°C (+73°F).



Standby Period  
Figure 15001

## COMPONENT MAINTENANCE MANUAL 4037CH

- B. Refresh charge is a quick constant current charge that can be done at the end of a [Standby period](#) to extend the time the battery is in inactive standby storage. The charge is given in [Table 15002](#).

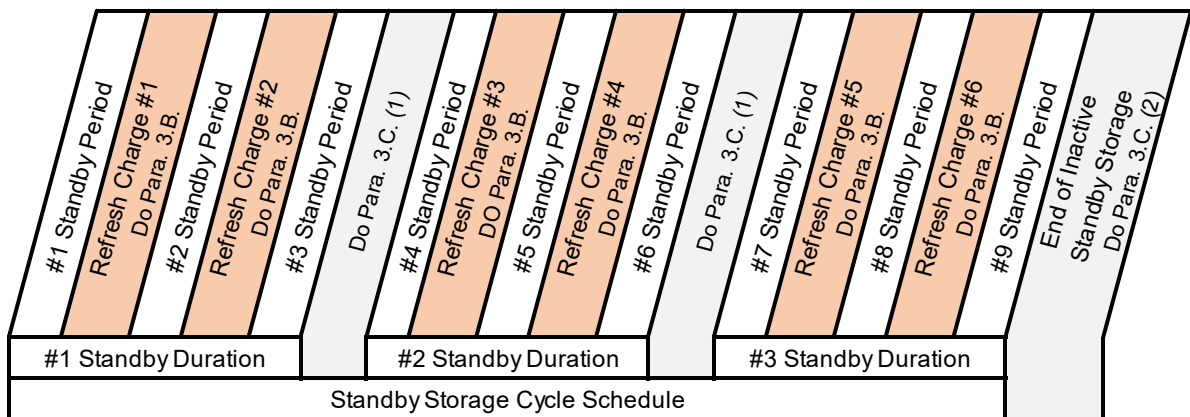
**CAUTION:** DO NOT DO THE 4 HOURS FINAL CHARGE AT 0.1 C<sub>1</sub>A (REFER TO [CHARGE](#)) DURING THIS 'REFRESH' CHARGE OPERATION.

CHARGE RATE	VOLTAGE (END OF "REFRESH" CHARGE)
0.1C <sub>1</sub> A	30.0V for 20 Cells
0.5C <sub>1</sub> A	31.0V for 20 Cells
1.0C <sub>1</sub> A	31.4V for 20 Cells

Refresh Charge  
Table 15002

- C. Standby duration consists of a maximum of 3 standby periods with 2 refresh charges. The number of consecutive standby durations is limited to 3. Refer to [Figure 15002](#).
- (1) For a battery completing the first or second standby duration and not immediately installed in the aircraft or sent into long-term storage, do the one of the following:
    - (a) For environments ≤ +30°C (+86°F) do [Battery insulation](#), [Initial discharge](#), [Charge](#), [Electrolyte level](#), and [Battery insulation](#).
    - (b) For environments > +30°C (+86°F) do [Battery insulation](#), [Initial discharge](#), [Cell shorting](#), [Charge](#), [Electrolyte level](#), and [Battery insulation](#).
  - (2) For a battery completing the third consecutive standby durations, the battery can go into [Inactive Long-Term Storage](#) or return to [Figure 1002](#).
- D. Standby storage cycle schedule is limited to the [Standby duration](#) being conducted a maximum of 3 time as shown in [Figure 15002](#).

**NOTE:** Anytime during this standby storage cycle shown in [Figure 15002](#), the battery may be installed on the aircraft or placed into [Inactive Long-Term Storage](#).



Inactive Standby Storage Schedule  
Figure 15002



COMPONENT MAINTENANCE MANUAL  
4037CH

4. Active Standby Mode (trickle charge)

**CAUTION:** WATER CONSUMPTION OCCURS WHEN THE BATTERY IS CONTINUOUSLY CHARGED, IN AN OVERCHARGE CONDITION. SAFT DOES NOT RECOMMEND THIS METHOD, HOWEVER SOME OPERATORS TAKE RESPONSIBILITY FOR ITS USE.

**NOTE:** This method is not reliable due to quantity and inaccuracy of water consumption. This method is not reliable due to quantity and inaccuracy of water consumption.

Example: A 40 Ah battery on a continuous trickle charge of 3 mA/Ah for one month may consume over 35 cm<sup>3</sup>/cell (2.14 in<sup>3</sup>/cell) of water.

5. Storage of spart parts

A. Spare cell assemblies

Spare cells must be stored in a vertical upright position, filled, and discharged condition (electrolyte levels are not visible in discharged cells). It is not necessary to short circuit the cells. The vent valves must be installed. The storage conditions are the same as those given in paragraph Inactive long-term storage. No maintenance operation is needed during storage. Before installation in a battery, cells must be visually inspected for damage or leakage as necessary in accordance with this CMM.

B. Spare O-rings, gaskets, and vent valve assemblies

(1) O-rings and gaskets

Six (6) years of storage period starts from the date of manufacture unless otherwise specified on the packaging. The O-rings and gaskets should be protected from exposure to the air, light, and high humidity < 85 %. Storage life depends on temperature. It is recommended to store the parts in a cool area < +25 °C (+77 °F). Above +35 °C (+95 °F), storage life is reduced to 5 years. Before use the O-rings or gaskets it must be inspected. In case of visible signs of damage, distortion, or deterioration, the part must be discarded.

(2) Vent valves with O-rings

Six (6) years of storage period starts from the date of manufacture unless otherwise specified on the packaging. The vent valves and O-rings should be protected from exposure of air, light and high humidity (< 85 %). Storage life depends on temperature. It is recommended to store the parts in a sealed container (non-PVC) in a cool area < +25 °C (+77 °F). Above +35 °C (+95 °F), storage life is reduced to 5 years. Before use the vent valves and O-rings it must be inspected. In case of visible signs of damage, deformation, or deterioration, the vent valve and O-ring must be discarded.

C. Other spare parts

Other spare parts protected from external contamination (i.e. dirt, dust, dampness, vibration, corrosive atmosphere) and high humidity (> 85 %), may be stored for unlimited periods. Before use, parts must be inspected. Parts showing any visible signs of damage, distortions, or deteriorations must be discarded.





COMPONENT MAINTENANCE MANUAL  
4037CH

6. Transportation procedure

The battery is normally discharged before packing. If it is necessary to transport a charged battery, make sure that the output terminals are protected against short circuit.

The battery should then be packed vertically in its original container. If the original container is not available, the international and/or local packaging regulations applicable to the mode of transport and destination must be followed.

According to the IATA / IMDG dangerous goods regulations, Saft ships all existing nickel-cadmium batteries or cells for aircraft under the classification UN2795 (wet, filled with alkali).

**24-32-04**

15005  
Oct 24/2022



COMPONENT MAINTENANCE MANUAL  
4037CH

PAGE INTENTIONALLY LEFT BLANK

**24-32-04**

15006  
Oct 24/2022