



To: HOLDERS OF COMPONENT MAINTENANCE MANUAL 24-32-03 40176-4 and 40176-7

Subject: CMM Revision No. 9 Dated Sep 6/2022

Replace revised pages by adding and removing pages for pages dated Sep 6/2022.

NOTE: The CMM can be downloaded from the internet at www.saftbatteries.com

HIGHLIGHTS

CHAPTER/SECTION PAGE NUMBER	DESCRIPTION OF CHANGE
Title Page T-1	Add Revision 9 with date
Record of Revisions ROR 1	Add revision 9
Service Bulletin List SBL 1	Removed text below table
List of Effective Pages LEP 1	Corrected/Changed pages
Introduction Intro 2 – Intro 3	Updated CAGE code and correction
Testing and Fault Isolation 1001	Updated CAGE code
Testing and Fault Isolation 1017 – 1018	Update revision to current date
Disassembly 3001 - 3002	Updated CAGE code, corrected item numbers
Cleaning 4002	Corrected item numbers
Repair 6001, 6003 - 6005	Updated CAGE code, corrected item numbers
Assembly 7002	Corrected item numbers
Special Tools, Fixtures, Equipment, and Consumables 9001	Corrected CAGE code, Clarified table
Illustrated Parts Lists 10002, 10003, 10005, 10008, 10009	Update CAGE code, corrected item numbers, added dashed information.
Storage (Including Transportation) 10004	Update revision to current date

24-32-03

Highlights Page 1 of 2
Sep 6/2022



PAGE INTENTIONALLY LEFT BLANK

24-32-03

Highlights Page 2 of 2
Sep 6/2022



ECCN: EAR99
CAGE Code 09052
711 GIL HARBIN INDUSTRIAL BOULEVARD
VALDOSTA, GEORGIA 31601
Phone: +1 (229) 247-2331 Fax: +1 (229) 247-8486

COMPONENT MAINTENANCE MANUAL

WITH ILLUSTRATED PARTS LIST

Nickel Cadmium Aircraft Batteries

**Saft Battery
Model 40176-4 (P/N 015920-000)**

Model 40176-7 (P/N 016392-000)

Website: www.saftbatteries.com

24-32-03

T-1
Rev 9 Sep 6/2022



COMPONENT MAINTENANCE MANUAL
40176-4 / 40176-7

This document and all information contained herein are the property of Saft. Its use is restricted solely to the maintenance of Saft batteries and may under no circumstances be used for any other manufacturer's products. No person may, in whole or in part, duplicate, use or disclose this information for any other purpose without the prior written consent of Saft.

24-32-03

T- 2
Dec 15/2021



COMPONENT MAINTENANCE MANUAL
40176-4 / 40176-7

RECORD OF REVISIONS

REV NO.	ISSUE DATE	INSERT DATE	BY	REV NO.	ISSUE DATE	INSERT DATE	BY
1	07/30/75	07/30/75	Soft				
2	09/30/98	09/30/98	Soft				
3	04/15/02	04/15/02	Soft				
4	Aug 4/21	Aug 4/21	Soft				
5	Sep 14/21	Sep 14/21	Soft				
6	Dec 15/2021	Dec 15/2021	Soft				
7	Jan 27/2022	Jan 27/2022	Soft				
8	Aug 15/2022	Aug 15/2022	Soft				
9	Sep 6/2022	Sep 6/2022	Soft				

24-32-03

ROR 1
Sep 6/2022



COMPONENT MAINTENANCE MANUAL
40176-4 / 40176-7

PAGE INTENTIONALLY LEFT BLANK

24-32-03

ROR 2
Jan 27/2022



COMPONENT MAINTENANCE MANUAL
40176-4 / 40176-7

RECORD OF TEMPORARY REVISIONS

TEMPORARY REV NO	ISSUE DATE	INSERTED DATE / INSERTED BY	DATE REMOVED / REMOVED BY	DATE INCORPORATED



COMPONENT MAINTENANCE MANUAL
40176-4 / 40176-7

PAGE INTENTIONALLY LEFT BLANK

24-32-03

RTR 2
Jan 27/2022



COMPONENT MAINTENANCE MANUAL
40176-4 / 40176-7

SERVICE BULLETIN LIST

SERVICE BULLETIN		DATE	TITLE
NUMBER / REV	DATE	INCORPORATION OR NO EFFECT	

24-32-03

SBL 1
Sep 6/2022



COMPONENT MAINTENANCE MANUAL
40176-4 / 40176-7

PAGE INTENTIONALLY LEFT BLANK

24-32-03

SBL 2
Jan 27/2022



COMPONENT MAINTENANCE MANUAL
40176-4 / 40176-7

LIST OF EFFECTIVE PAGES

<u>SUBJECT</u>	<u>PAGE</u>	<u>DATE</u>	<u>SUBJECT</u>	<u>PAGE</u>	<u>DATE</u>
TITLE PAGE	T-1 T-2	Sep 6/2022 Dec 15/2021		1018 1019 1020	Sep 6/2022 Aug 15/2022 Blank
RECORD OF REVISIONS	ROR 1 ROR 2	Sep 6/2022 Blank	DISASSEMBLY	3001 3002	Sep 6/2022 Sep 6/2022
RECORD OF TEMPORARY REVISIONS	RTR 1 RTR 2	Aug 15/2022 Blank	CLEANING	4001 4002	Aug 15/2022 Sep 6/2022
SERVICE BULLETIN LIST	SBL-1 SBL-2	Sep 6/2022 Blank	CHECK	5001 5002	Aug 15/2022 Aug 15/2022
LIST OF EFFECTIVE PAGES	LEP 1 LEP 2	Sep 6/2022 Blank	REPAIR	6001 6002 6003 6004 6005 6006	Sep 6/2022 Aug 15/2022 Sep 6/2022 Sep 6/2022 Sep 6/2022 Blank
TABLE OF CONTENTS	TOC 1 TOC 2	Dec 15/2021 Blank	ASSEMBLY	7001 7002 7003 7004 7005 7006	Aug 15/2022 Sep 6/2022 Jan 27/2022 Aug 15/2022 Jan 27/2022 Blank
LIST OF ILLUSTRATIONS	LOI 1 LOI 2	Aug 15/2022 Blank	FITS AND CLEARANCES	8001 8002	Aug 15/2022 Blank
LIST OF TABLES	LOT 1 LOT 2	Dec 15/2021 Blank	SPECIAL TOOLS, FIXTURES, EQUIPMENT, AND CONSUMABLES	9001 9002	Sep 6/2022 Aug 15/2022
INTRODUCTION	Intro 1 Intro 2 Intro 3 Intro 4	Jan 27/2022 Sep 6/2022 Sep 6/2022 Aug 15/2022	ILLUSTRATED PARTS LIST	10001 10002 10003 10004 10005 10006 10007 10008 10009 10010	Dec 15/2021 Sep 6/2022 Sep 6/2022 Aug 15/2022 Sep 6/2022 Aug 15/2022 Aug 15/2022 Sep 6/2022 Sep 6/2022 Blank
DESCRIPTION AND OPERATION	1 2 3 4	Dec 15/2021 Dec 15/2021 Dec 15/2021 Dec 15/2021	STORAGE (INCLUDING TRANSPORTATION)	15001 15002 15003 15004	Dec 15/2021 Dec 15/2021 Dec 15/2021 Sep 6/2022
TESTING AND FAULT ISOLATION	1001 1002 1003 1004 1005 1006 1007 1008 1009 1010 1011 1012 1013 1014 1015 1016 1017	Sep 6/2022 Dec 15/2021 Jan 27/2022 Aug 15/2022 Jan 27/2022 Aug 15/2022 Aug 15/2022 Aug 15/2022 Aug 15/2022 Aug 15/2022 Aug 15/2022 Aug 15/2022 Aug 15/2022 Aug 15/2022 Aug 15/2022 Aug 15/2022 Sep 6/2022			

24-32-03

LEP 1
Sep 6/2022



COMPONENT MAINTENANCE MANUAL
40176-4 / 40176-7

PAGE INTENTIONALLY LEFT BLANK

24-32-03

LEP 2
Jan 27/2022



COMPONENT MAINTENANCE MANUAL
40176-4 / 40176-7

TABLE OF CONTENTS

PARAGRAPH TITLE	PAGE
INTRODUCTION	Intro 1
DESCRIPTION AND OPERATION	1
TESTING AND FAULT ISOLATION	1001
AUTOMATIC TEST REQUIREMENTS (ATLAS)	N/A
DISASSEMBLY	3001
CLEANING	4001
CHECK	5001
REPAIR	6001
ASSEMBLY	7001
FITS AND CLEARANCES	8001
SPECIAL TOOLS, FIXTURES, EQUIPMENT, AND CONSUMABLES	9001
ILLUSTRATED PARTS LIST	10001
STORAGE (INCLUDING TRANSPORTATION)	15001

24-32-03

TOC 1
Dec 15/2021



COMPONENT MAINTENANCE MANUAL
40176-4 / 40176-7

PAGE INTENTIONALLY LEFT BLANK

24-32-03

TOC 2
Jan 27/2022



COMPONENT MAINTENANCE MANUAL
40176-4 / 40176-7

LIST OF ILLUSTRATIONS

FIGURE	DESCRIPTION	PAGE
Intro 1	Universal Recycling Symbols	Intro 4
1	40176-4 and 40176-7 Nickel Cadmium Battery	1
1001	Periodical Check	1003
1002	Regular Check	1004
1003	General Overhaul	1005
1004	Position of T02 in Cell Vent Seal	1011
1005	Connector Pinout	1013
1006	Special Testing Flow Chart	1016
7001	Spacer Kit (310) Installation	7003
7002	Cell Number and Polarity Orientation	7004
7003	Sensor Harness Routing	7004
IPL Figure 1	Battery, Exploded View Battery (Sheet 1 of 4)	10004
IPL Figure 1	Battery, Exploded View Battery (Sheet 2 of 4)	10005
IPL Figure 1	Battery, Exploded View Battery (Sheet 3 of 4)	10006
IPL Figure 1	Battery, Exploded View Battery (Sheet 4 of 4)	10007
15001	Inactive Standby Period	15002
15002	Inactive Standby Storage Schedule	15003

24-32-03

LOI 1
Aug 15/2022



COMPONENT MAINTENANCE MANUAL
40176-4 / 40176-7

PAGE INTENTIONALLY LEFT BLANK

24-32-03

LOI 2
Jan 27/2022



COMPONENT MAINTENANCE MANUAL
40176-4 / 40176-7

LIST OF TABLES

TABLE	DESCRIPTION	PAGE
1	Leading Particulars	2
1001	Equipment (Testing)	1001
1002	Materials (Testing)	1002
1003	Initial Discharge (Off-Wing Capacity)	1008
1004	Charge Table	1010
1005	Final Charge Voltage Limit	1010
1006	Capacity Test (Second Discharge)	1013
1007	Sensor Values	1014
1008	Battery Faults	1017
1009	Cell Faults	1018
1010	Physical Faults	1019
3001	Equipment (Disassembly)	3001
4001	Equipment (Cleaning)	4001
4002	Materials (Cleaning)	4001
6001	Equipment (Repair)	6001
6002	Materials (Repair)	6001
7001	Equipment (Assembly)	7001
7002	Materials (Assembly)	7001
8001	Torque Values	8001
9001	Special Tools	9001
9002	Equipment	9001
9003	Consumables	9002
15001	Return to Service Following Storage	15001
15002	Refresh Charge	15003

24-32-03

LOT 1
Dec 15/2021



COMPONENT MAINTENANCE MANUAL
40176-4 / 40176-7

PAGE INTENTIONALLY LEFT BLANK

24-32-03

LOT 2
Jan 27/2022



COMPONENT MAINTENANCE MANUAL

40176-4 / 40176-7

INTRODUCTION

1. General

- A. This manual is written to the ATA Specification 100 and in ASD Simplified Technical English. International Standard units of measure are used in this manual, with imperial units in parentheses.
- B. This manual describes maintenance on components in a workshop. It does not describe maintenance on components when they are installed in aircraft.
- C. Only approved personnel with the necessary skill can do maintenance tasks described in this manual.
- D. This manual contains:
 - (1) Technical data for components
 - (2) Maintenance and replacement procedures for components
 - (3) An Illustrated Parts List (IPL) with data for parts of components. Parts are identified in all sections of the manual by IPL figure and item number.

- E. We make sure of DISASSEMBLY, TESTING AND FAULT ISOLATION, and ASSEMBLY procedures are correct by doing them.

The manual is divided into separate sections:

- (1) Title Page
- (2) Record of Revisions
- (3) Record of Temporary Revisions
- (4) List of Effective Pages
- (5) Table of Contents
- (6) Introduction
- (7) Procedures and IPL Sections

The disassembly and assembly sections contain only specific instructions used on the equipment covered herein. Most standard aerospace practices are not described herein.

This manual provides the information necessary for an experienced shop technician to maintain Saft nickel-cadmium batteries. It describes construction of the battery, as well as techniques used to operate, maintain, and provide care for the battery. Following these instructions will enhance the ability to obtain optimum performance and maximum life from Saft batteries.

All aircraft batteries require checking and maintenance to make sure they are safe when installed and they perform their required functions especially in emergency conditions on board the aircraft. Maintenance allows problems to be identified and corrected. The maintenance interval is the period for which correct operation is assured with a low probability of failure and allows high levels of MTBUR and MTBF.

Every effort has been made to provide complete and accurate instructions. If a situation should arise that is not adequately described in this manual, please contact Saft via the internet at www.saftbatteries.com or at one of the following addresses:

24-32-03

Intro 1
Jan 27/2022



COMPONENT MAINTENANCE MANUAL
40176-4 / 40176-7

Saft America Inc. (09052)
711 Gil Harbin Industrial Boulevard
Valdosta, GA 31601, USA

Phone: +1 (229) 247-2331
Fax: +1 (229) 247-8486

Saft (F6177)
126 quai Charles Pasqua
92300 Levallois-Perret, France

Phone: +33 1 58 63 16 00
Fax: +33 1 58 63 16 18

2. Definitions

Warnings call attention to use of materials, procedures, or limits which must be followed precisely to avoid injury to persons.

Cautions call attention to procedures which should be followed to avoid damage to equipment.

Notes call attention to procedures which make the job easier.

3. Safety

WARNING: EXCEPT FOR THOSE STEPS THAT REQUIRE THE BATTERY TO BE CHARGED, DO ALL STEPS ON DISCHARGED BATTERIES (REFER TO [INITIAL DISCHARGE](#) AND [CELL SHORTING](#)) TO AVOID THE POSSIBILITY OF ELECTRIC SHOCK. FINGER TIGHTEN VENT VALVES ([200](#) OR [200A](#)) WITH [T01](#) PRIOR TO BEGINNING DISCHARGE. BATTERY CELLS DELIVER VERY HIGH CURRENT WHEN SHORT-CIRCUITED. EXERCISE CAUTION. REMOVE RINGS, WATCHES, NECKLACES, METALLIC BELTS AND OTHER JEWELRY TO AVOID ELECTRIC SHOCK.

WARNING: CARE SHOULD BE TAKEN TO NOT OVER TIGHTEN THE VENT VALVES ([200](#) OR [200A](#)) AS STRIPPED TREADS ON EITHER THE VALVE OR CELL COVER MAY ALLOW ELECTROLYTE LEAKAGE WHILE ON THE AIRCRAFT RESULTING IN UNSCHEDULED REMOVALS

WARNING: DO NOT TILT THE BATTERY DURING MAINTENANCE, ANY CONTACT OF SKIN WITH ELECTROLYTE CAN CAUSE SEVERE BURNS.

Safety rules differ from one country to another. Always follow local safety regulations.

There are three types of risks

A. Physical

- (1) Handling: the battery is heavy. When you lift it, bend your legs and not your back.
- (2) Use protective shoes.

B. Electrical

- (1) Do not wear rings, watches, chains, belt buckles, necklaces, or any other metallic objects.
- (2) Use insulated tools.

C. Chemical

- (1) For a complete listing of hazards, refer to the safety information sheet available on Saft's website at www.saftbatteries.com.

24-32-03

Intro 2
Sep 6/2022



COMPONENT MAINTENANCE MANUAL

40176-4 / 40176-7

- (2) Electrolyte is very corrosive and can damage the skin: use gloves and an apron. If it touches the skin, flush affected part with large quantity of water. Remove contaminated clothing, after flushing begins.
- (3) Electrolyte is very dangerous for eyes, use protective goggles. If the electrolyte comes in contact with an eye, flush it with water and get immediate medical attention.
- (4) Saft recommends the use of an amphoteric solution (both acidic and basic behavior) and chelator (able to trap cations as a chelate complex) to neutralize electrolyte according to the local regulation.
- (5) Electrolyte ingestion can cause damage to the throat and respiratory tract. Do not try to vomit and get immediate medical attention.
- (6) Skin contact with nickel can cause chronic eczema.
- (7) Inhalation of cadmium oxide can cause dry throat, headaches, vomiting, chest pain. If inhaled, move to fresh air. If not breathing, give artificial respiration. If breathing is difficult, give oxygen and get immediate medical attention.

4. New Battery Commissioning

Saft batteries are shipped discharged. All new Saft batteries that are receiving the initial commissioning within 12 months of the DOM refer to [Initial New Battery Commissioning](#) on page [5001](#) to place into service.

For all new Saft batteries that have not received an initial commissioning within 12 months of the DOM, then refer to [Servicing at end of long-term storage](#), [Table 15001](#).

5. Battery Ratings

A. Capacity

Nickel-cadmium batteries are rated in terms of capacity in ampere-hours (Ah) (rated capacity).

Other definitions for battery ratings can be found in EN2570, IEC 60952, and RTCA DO 293

6. Recycling

All batteries eventually lose their ability to perform and are eligible for scrapping and recycling. Saft takes environmental matters seriously and advocates proper recycling of nickel-cadmium batteries and their components. To that end, Saft operates recycling facilities in both Europe and North America.

Nickel-cadmium batteries contain nickel, cadmium, and potassium hydroxide and should be disposed of properly. In all cases, rely on local and national regulations for proper battery disposal and/or shipping to an appropriate recycling location.

24-32-03

Intro 3
Sep 6/2022



Universal Recycling Symbols
Figure Intro 1

You can find the nearest recycling collection point on our website at www.saftbatteries.com.

7. End of Life

EASA and FAA regulations “Part 145” requires end of life cells to be disposed of in a manner prohibiting them to be returned to service. Other authorities may have requirements less explicit, Saft recommends the following procedure to be followed to provide a means of compliance.

- A. Make sure the appropriate protective measures (refer to [Safety](#) paragraph and Battery Information Sheet (BIS)) are taken.
- B. Make sure the cell is fully discharged (see [Cell shorting](#)).
- C. Put one of the terminals from the cell into a bench vice and bend the terminal until it breaks. If any electrolyte leakage occurs, make sure the cleaning procedures are correctly applied (see Battery Information Sheet (BIS)).
- D. Dispose of the cell in accordance with applicable transport, health and safety, and recycling regulations. Refer to [Recycling](#) paragraph

All batteries eventually lose their ability to perform and are eligible for scrapping and recycling. Saft takes environmental matters seriously and advocates proper recycling of nickel-cadmium batteries and their components. To that end, Saft operates recycling facilities in both Europe and North America.

8. Abbreviations

A	Amperes
ASD	AeroSpace and Defence Industries Association of Europe
ATA	Air Transport Association of America
EASA	European Air Safety Authority
FAA	Federal Aviation Authority
IATA	International Transport Air Association
IEC	International Electrotechnical Commission
IMDG	International Maritime Dangerous Goods
IPL	Illustrated Parts List
MTBF	Mean Time Between Failure
MTBUR	Mean Time Between Unscheduled Removal
P/N	Part Number
RTCA	Radio Technical Commission for Aeronautics
V	Voltage

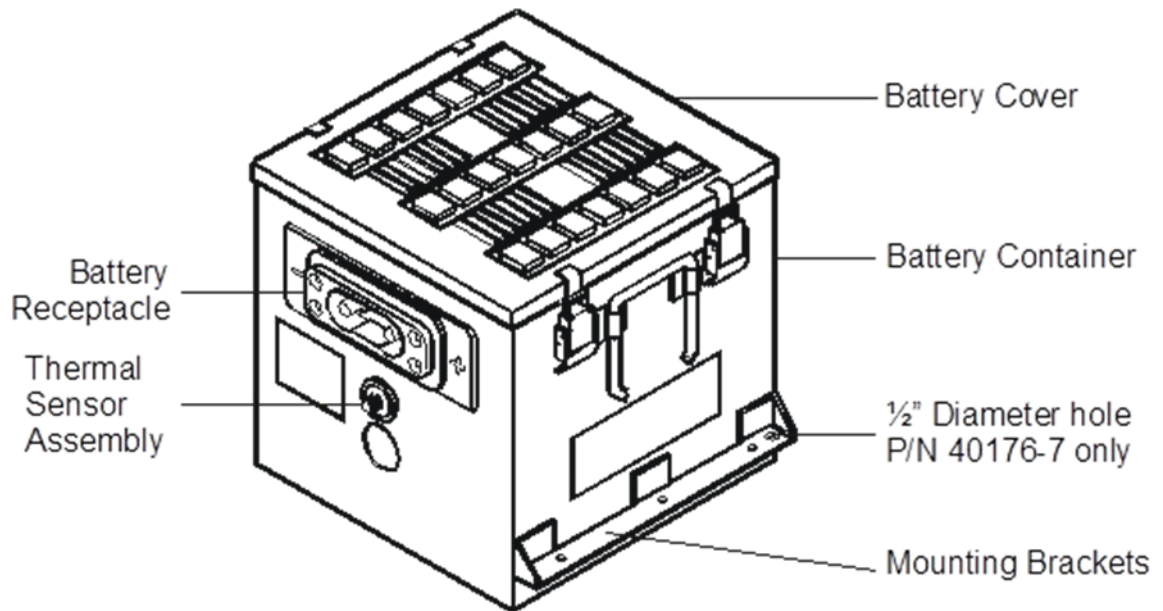


COMPONENT MAINTENANCE MANUAL
40176-4 / 40176-7

DESCRIPTION AND OPERATION

1. Description

The Nickel Cadmium Battery provides power either to the standby system or to start the auxiliary power unit (APU). It is a nickel-cadmium type with sintered plate construction and uses a potassium hydroxide electrolyte. The battery consists of a case and cover, 20 cell assemblies, and a harness assembly. The sensor harness for the 40176-4 contains one thermostat (T1), and for the 40176-7 contains two thermostats (T1 and T2). Each sensor harness is mounted on link(s) inside the battery.



40176-4 and 40176-7 Nickel Cadmium Battery
Figure 1



COMPONENT MAINTENANCE MANUAL
40176-4 / 40176-7

PARAMETER	VALUES
Voltage: Nominal	24 Volts
Weight	37.7 kg (83.0 lbs)
Dimensions (Maximum): Height Length Width	256 mm (10.08 in) 248 mm (7.76 in) 264 mm (10.39 in)
Cell Assembly Terminal	M10 X 1.25, externally threaded
Number of Cell Assemblies	20
Cell Model	VP400KH
1.0C ₁ A Rate	36.0A
0.5C ₁ A Rate	18.0A
0.1C ₁ A Rate	3.6A
Rated Capacity (C ₁)	36 Ampere-hours at 1.0C ₁ A
Vent valve	M8 X 1.00 thread
Venting Pressure	0.14 to 0.69 bar (2 to 10 psi)
Consumable volume of water per cell	25 cm ³ (1.53 in ³)
Cell Assembly Case Material	Polyamide
Battery Case Material	Stainless Steel
Electrolyte	Potassium Hydroxide
Recommended Storage Temperatures	+5°C to +35°C (+41°F to +95°F)
Ambient Temperature	+15°C to +30°C (+59°F to +86°F)

Leading Particulars
Table 1

2. Operation

A. Flight charging

The battery is charged on the aircraft by an on-board charger.



COMPONENT MAINTENANCE MANUAL
40176-4 / 40176-7

B. Maintenance

(1) Maintenance interval basis

The aircraft manufacturer and/or operator is responsible for the definition of the maintenance interval based on the use profile of the batteries installed on aircraft. The maintenance interval has two main factors:

- Energy available for emergency requirements
- Electrolyte consumable reserve.

Both factors depend on the battery charging system, operating temperature, loads provided, number of uses, flight duration, ground operation, and battery technology.

The higher voltage per cell applied, the higher overcharge current and capacity the battery receives.

The overcharged capacity is directly related to the electrolysis of water from the electrolyte, and hence the consumption of the electrolyte reserve. For every 3 Ah of overcharge, 1 cm³ (0.061 in³) of water is consumed via electrolysis. Once the water reserve has been consumed, the result is:

- Dried out cells with a significant risk of permanent damage
- Internal short circuit
- Overheating
- Thermal runaway.

(2) Maintenance interval extensions

To validate maintenance interval extension, the recommendation is for the Operator and Saft review the maintenance records for a minimum period of 12 months.

The data includes but is not limited to the recording of aircraft flight hours accrued while installed, its removal date, inspection date, off-wing capacity, and water consumption as required by this CMM.

As with any maintenance extension, subsequent monitoring of the water addition and electrical performance upon removal from the aircraft must be done to detect any adverse effects and, if necessary, re-adjust the maintenance interval accordingly. To determine the electrical performance more readily after aircraft removal, the battery may be floated 31V for 1.5 hours if the aircraft uses a dedicated charger or 28.5V for 1.5 hours if it floats on the aircraft bus before performing the Initial discharge (off-wing capacity) test.



COMPONENT MAINTENANCE MANUAL
40176-4 / 40176-7

C. Battery data requirements

Maintenance information is required for any Saft battery evaluation to determine its condition and health. Throughout this manual there are multiple steps requiring specific information be recorded to maintain a battery service history. The information provided not will only reflect the batteries airworthiness, but also provide information to assist in any battery issue investigations required at the factory. As a minimum the items identified below are required for each battery maintenance step/action.

- (1) Record the date the battery was received, and time testing started.
- (2) As required for all discharges, record the duration the first cell reaches 1.0V.
- (3) As required during charges,
 - (a) Record the cell voltages at the start of the charge, at the end of the main charge, and the last 30 minutes of the final charge.
 - (b) Record the water added to each cell during the last 30 minutes of the final charge.
- (4) As required for special testing, record location and reason for cell replacement either voltage or capacity.
- (5) Record the date the battery is returned to service.



COMPONENT MAINTENANCE MANUAL
40176-4 / 40176-7
TESTING AND FAULT ISOLATION

1. General

This section contains battery functional tests and fault isolation information. Test procedures are written in step-by-step formats that follow the process flow outlined in [Figure 1001](#), [Figure 1002](#), or [Figure 1003](#). Fault isolation [Table 1008](#), [Table 1009](#), or [Table 1010](#) identifies faults, possible causes, and remedies.

NOTE: The () part identification numbers herein are [IPL Figure 1](#) item numbers.

NOTE: All voltage readings are DC unless otherwise stated.

2. Equipment and Materials

A. Equipment

NOTE: Equivalent equipment may be used.

EQUIPMENT	MINIMUM EQUIPMENT SPECIFICATION		SOURCE OR CAGE CODE	REPRESENTATIVE TYPE (MFG MODEL/CAGE)
	CHAR.	RANGE, ACCURACY, TOLERANCE		
Constant current charger	-	0 to 60A DC 40V DC Minimum	Commercially Available	Sorenson Power (DCR-40-70B)
Constant current source with load bank	-	0 to 60A DC 1 to 40V DC	Commercially Available	Sorenson Power (DCR-40-70B) with Ohmite (L225J5ROE)
Megohmmeter	-	0 to 50 M Ω @ 250 V continuous	Commercially Available	Fluke (1507)
Digital multimeter	-	2000 count, accuracy 1% or better	Commercially Available	Fluke (179)
Climatic chamber	-	+15°C to +80°C (+59°F to +176°F)	Commercially Available	Cincinnati Sub-Zero (MCB-1.2-.33-H/AC)
Torque wrench	Insulated	0 to 15 N-m (0 to 133 lb _f -in)	Commercially Available	McMaster-Carr (7936A12)
Universal vent wrench	-	-	09052 F6177	093365-000 (T01) 413876
Syringe assembly	-	-	09052 F6177	020915-004 (T02) 416231
Equalizing resistors	-	1 Ω 3 W	F6177	164829 (T03)
Cell puller tool	-	-	09052 F6177	017556-000 (T04) 416159
Vent valve adapter for M8 valves	-	-	09052	025098-000 (T05)

Equipment (Testing)
Table 1001



COMPONENT MAINTENANCE MANUAL
40176-4 / 40176-7

B. Materials

NOTE: Equivalent substitutes are permitted for all items except for those that become part of the configured unit. Equivalent substitutes are not allowed for items marked with a double asterisk (**).

NAME	SPECIFICATION OR PART NUMBER	SOURCE OR CAGE CODE	USE
Distilled or deionized water**	M01	Commercially Available	Water addition
Neutral petroleum jelly	M02	Commercially Available	Lubrication
Cloth, soft, clean	-	Commercially Available	Protect from FOD

Materials (Testing)
Table 1002

3. Maintenance Procedures

In addition to the checks specified for airborne or ground use, in normal service SAFT 40176-4 / 40176-7 batteries require the following maintenance operations:

NOTE: Unless the maintenance has been previously increased or the air manufacturer states a different value, the following are provided as guidelines.

NOTE: These periods are given as an indication; modify in accordance with operational experience.

NOTE: Periodical and Regular Check may be combined if operating hours do not meet times listed.

A. Periodical check

If the electrolyte consumption exceeds the maximum consumable amount between two Regular Checks, this Periodical Check per [Figure 1001](#) may be done to adjust the electrolyte and prevent damage to the cells.

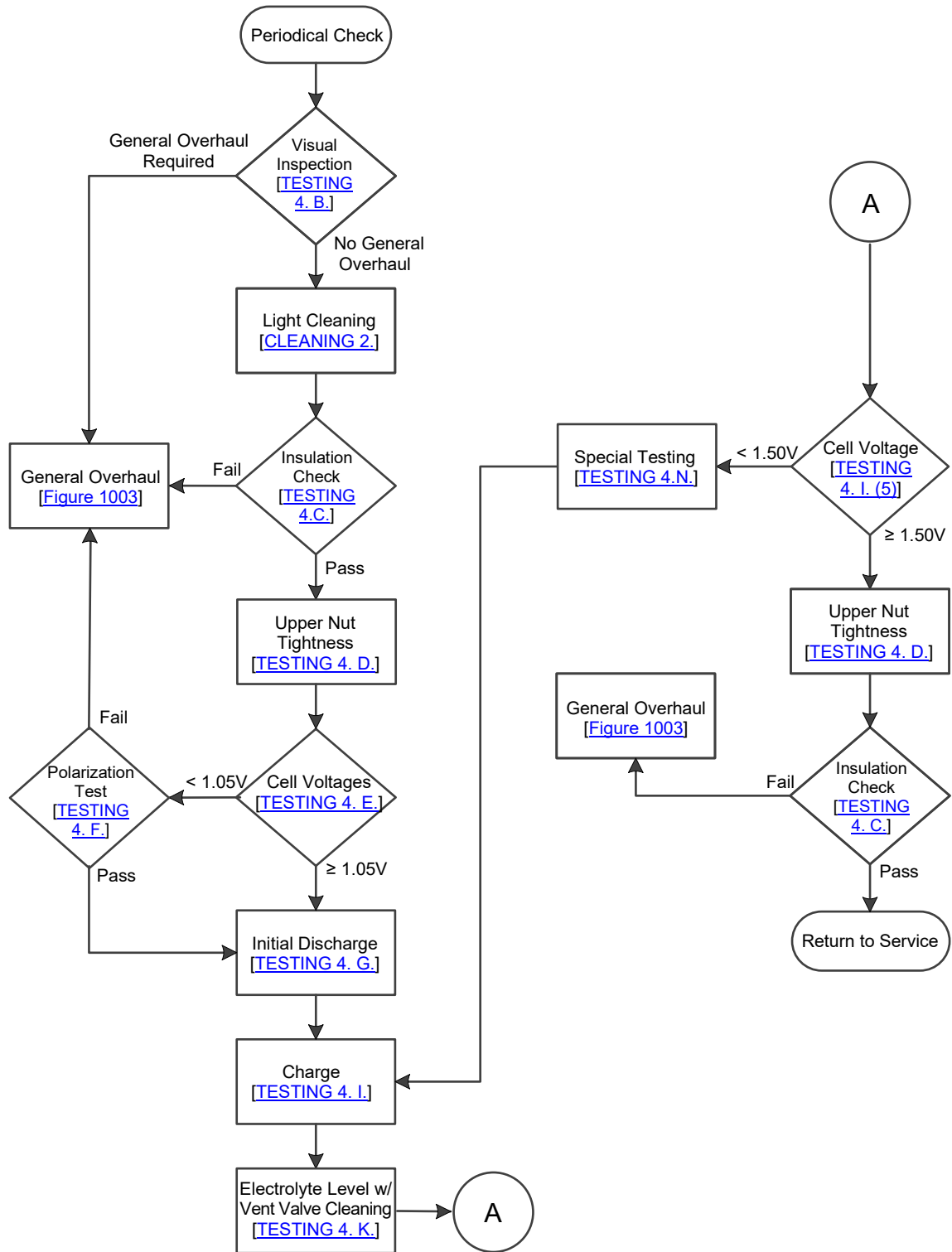
B. Regular check

Perform [Figure 1002](#) according to the aircraft manufacture or operator maintenance requirements. If these are not available, then it is recommended to perform this check every six months. To adjust this interval, refer [Maintenance interval extensions](#).

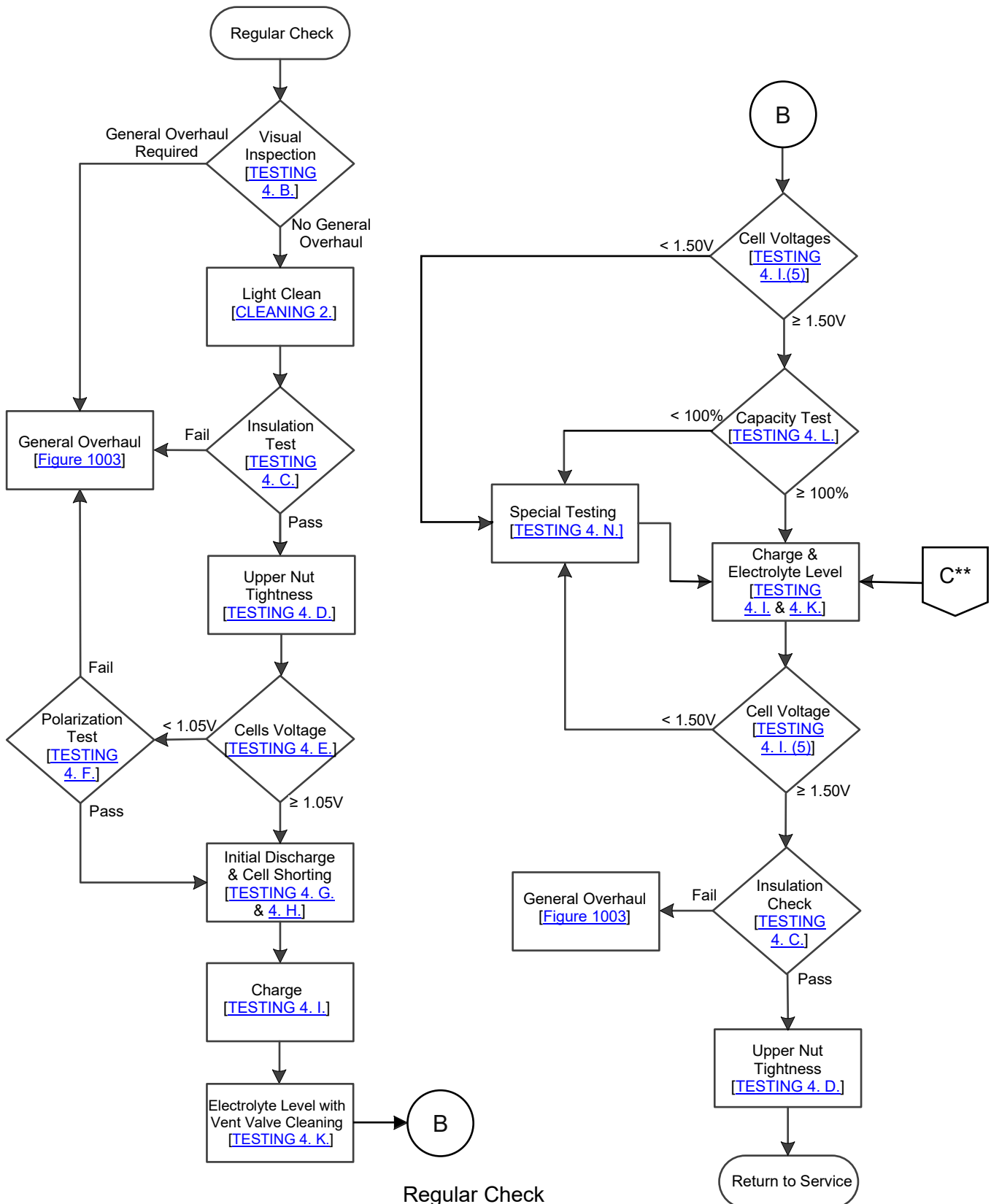
C. General overhaul

Perform [Figure 1003](#) according to the aircraft manufacture or operator maintenance requirements or when required by [Figure 1001](#) or [Figure 1002](#).

COMPONENT MAINTENANCE MANUAL 40176-4 / 40176-7



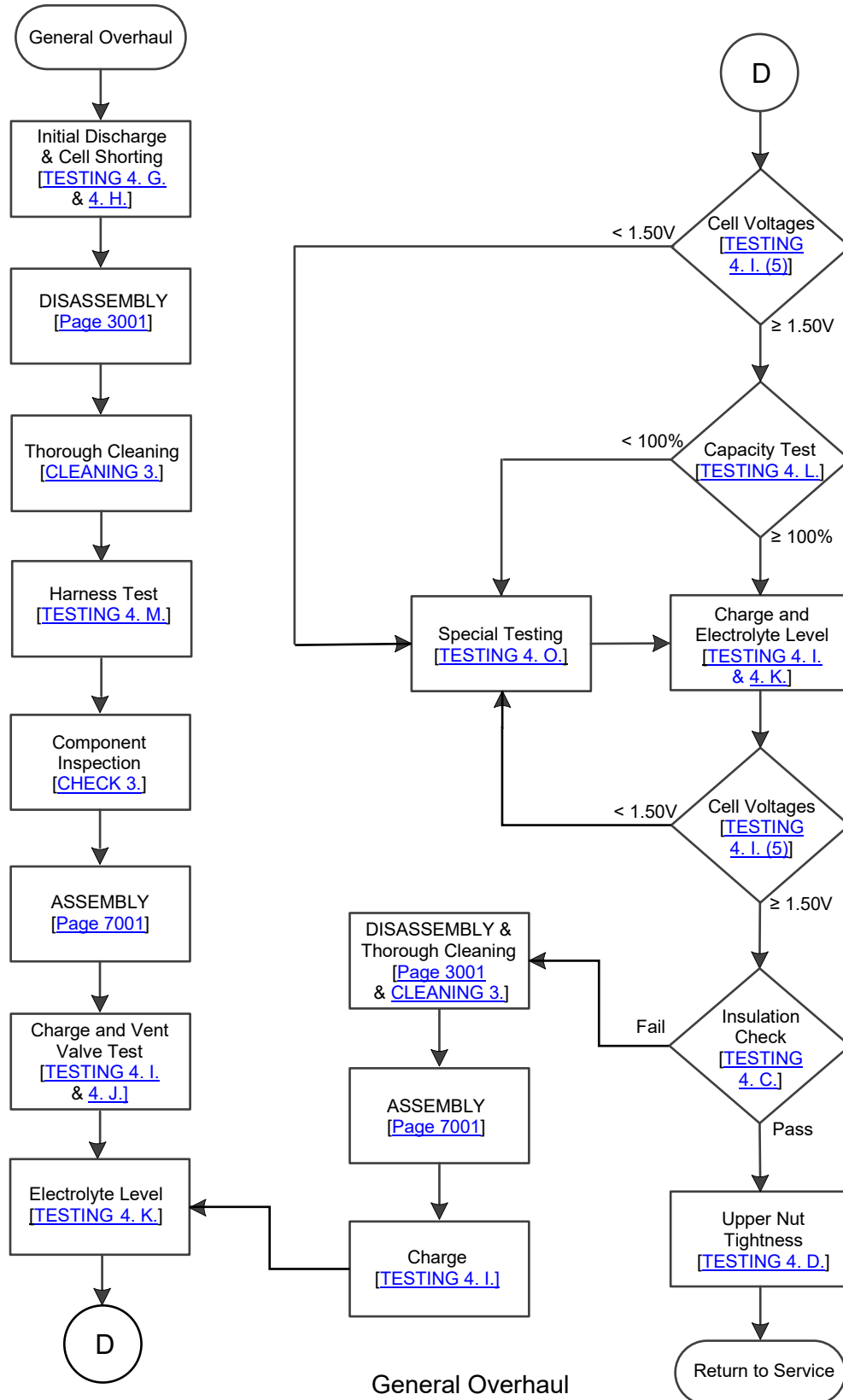
Periodical Check
Figure 1001



Regular Check
Figure 1002

24-32-03

**From [Table 15001](#)



General Overhaul
Figure 1003



COMPONENT MAINTENANCE MANUAL
40176-4 / 40176-7

4. Testing

A. Test conditions

- (1) Facilities and equipment

CAUTION: FUMES FROM LEAD ACID BATTERIES OR SMALL TRACES OF SULFURIC ACID ENTERING A NI-CD BATTERY CAN CAUSE PERMANENT DAMAGE.

- (a) Service facilities for Ni-Cd batteries must be entirely separate from those for lead acid batteries.
- (b) Equipment used to service lead acid batteries must not be used to maintain Ni-Cd batteries.
- (2) For optimum results conduct all tests with the battery temperature at ambient temperature, unless otherwise noted in this manual.

B. Visual inspection

Items found may require doing a general overhaul immediately while the majority do not. If a finding does not require going to the general overhaul procedure, then specific instructions are provided on how and when the item will be corrected.

- (1) Visually inspect battery cover ([020](#)) for dents, distortion, or other damage and replace, as necessary.
- (2) Visually inspect battery case ([010](#) or [010A](#)), ([012](#) or [012A](#)) for dents, distortion, or other damage. If found, identify the component for replacement.
- (3) Visually inspect holddown pad ([030](#)) for distortion and other damage, replace as needed.
- (4) Remove battery cover ([020](#)) and holddown pad ([030](#)) visually inspect each cell ([120](#) or [120A](#)) for any evidence of electrolyte leakage.
- (a) Damaged cells ([120](#) or [120A](#)) should be identified for replacement or further cleaning.

NOTE: Excessive electrolyte leakage will cause the battery to fail the Battery insulation test.

- (b) Excessive salts around the terminal posts gives an indication of possible leakage from terminal O-ring ([190](#) or [190A](#)). Identify any cells with excessive salts for later torquing the lower nut ([140](#)).
- (c) When inspection reveals electrolyte leakage from the cell at the vent hole opening, replace the defective O-ring ([210](#) or [210A](#)) by referring to [Vent valve O-ring replacement](#).
- (5) Inspect the nuts ([100](#)), ([130](#)), ([140](#)), washers ([110](#) or [110A](#)), ([134](#) or [134A](#)), ([170](#) or [170A](#)), and ([180](#)), and links ([220](#)), ([230](#)), ([240](#)), ([250](#)), ([260](#) or [270](#)) to ensure it is free of bends, tarnish, corrosion, burns, or loss of plating. Minor tarnish can be polished off with a fine wire brush. Identify any defective components for later replacement.



COMPONENT MAINTENANCE MANUAL
40176-4 / 40176-7

- (6) Check all ventilation openings to make sure that they are clean and clear.
- (7) Inspect the power connector ([280](#)) and its pins for defects, evidence of arching or excessive oxidation. If observed, identify the power connector ([280](#)) for later replacement.

C. Battery insulation

NOTE: A breakdown in electrical insulation between the cells and the battery case will result in a "leakage" current, which, over a period of time, can discharge the battery.

- (1) On a completely assembled battery, measure the insulation resistance between the block of cells and the metal case. The value measured must be at least 10M Ω under a 250V continuous using a megohmmeter.
 - (a) If the reading does not meet the above criteria, record the value and the insulation shall be considered a "Fail".

NOTE: If, after cleaning the battery and assuring that everything is dry, the insulation resistance is still less than 10M Ω , then one or more cells ([120](#) or [120A](#)) are defective. Isolate and identify for replacement or cleaning.

- (b) If the reading meets the above criteria ($\geq 10M\Omega$), record the value and the insulation test is a "Pass".

D. Upper nut tightness

Check the tightness on each upper nut ([100](#)), ([130](#)) per [Table 8001](#).

E. Cell voltage

Measure and verify the voltage of each cell ([120](#) or [120A](#)) is greater than or equal to 1.05V.

F. Polarization test

- (1) Charge the battery at 0.1C₁ for 1.5 hours.
- (2) Keep the battery in open circuit for 1 hour.
- (3) Measure the open circuit voltage of each cell ([120](#) or [120A](#)).
 - (a) Identify for replacement each cell ([120](#) or [120A](#)) with zero volts or negative polarity. If any cell ([120](#) or [120A](#)) is identified for replacement, the polarization test is a "Fail".
 - (b) If all cells ([120](#) or [120A](#)) are above zero volts, the polarization test is a "Pass".

G. Initial discharge (off-wing capacity)

The purpose of this procedure is to discharge the battery to a known state of charge and determine the battery capacity from the aircraft.

CAUTION: CARE SHOULD BE TAKEN TO NOT OVER TIGHTEN THE VENT VALVES ([200](#) OR [200A](#)) AS STRIPPED TREADS ON EITHER THE VALVE OR CELL COVER MAY ALLOW CONTAINMENTS TO ENTER THE CELL ([120](#) OR [120A](#)). ANY STRIPPED TREADS REQUIRE COMPONENT REPLACEMENT.

24-32-03

1007
Aug 15/2022



COMPONENT MAINTENANCE MANUAL
40176-4 / 40176-7

- (1) Using [T01](#), verify the vent valve ([200](#) or [200A](#)) is finger tight on each cell ([120](#) or [120A](#)).
- (2) Discharge the battery at a rate shown in [Table 1003](#) until the battery reaches 20.0V. Record the times the first cell reaches 1.0V and battery reaches 20.0V.

NOTE: It is important that the discharge current be continually maintained at the selected value, and that the time of discharge be measured accurately.

NOTE: If a cell goes to zero volts or reverses polarity during the discharge, short out the cell's terminals for the rest of the discharge.

DISCHARGE		MINIMUM TIME FOR BATTERY 20.0V
RATE (C ₁)	CURRENT (AMPS)	
0.5	18.0	60.9 MINUTES
1.0	36.0	30.0 MINUTES

Initial Discharge (Off-wing Capacity)
Table 1003

- (a) The minimum discharge time to 20.0V should be per Table 1003. If not, one of the following may be the cause.
 1. The battery was discharged since the last aircraft charge.
 2. The aircraft charger may not be functioning properly.
 3. If the battery was left idle for a time, then self-discharge occurred.
 4. The battery cells may be imbalanced and need servicing.
- (3) If defective items were found during visual inspection, they are to be corrected.
 - (a) If the case ([010](#) or [010A](#)), ([012](#) or [012A](#)) was identified for replacement, do [Case replacement](#).
 - (b) For each cell ([120](#) or [120A](#)) identified for replacement, do [Cell replacement](#).
 - (c) Replace as needed power connector ([280](#)), do [Power connector replacement](#).
 - (d) Remove and replace as needed nuts ([100](#)), ([130](#)) and washers ([110](#) or [110A](#)), ([134](#) or [134A](#)). Torque nuts per [Table 8001](#).
 - (e) Replace as needed links ([220](#)), ([230](#)), ([240](#)), ([250](#)), ([260](#) or [270](#)) using [Link replacement](#).
 - (f) For each cell ([120](#) or [120A](#)) which have excessive salts around the terminals during visual inspection, do [Lower nut tightness](#).
 - (g) For cell hardware ([140](#)), ([150](#) or [150A](#)), ([160](#) or [160A](#)), ([170](#) or [170A](#)), ([180](#)), and O-ring ([190](#) or [190A](#)) requiring replacement, do [Cell hardware replacement](#).

H. Cell shorting

CAUTION: CARE SHOULD BE TAKEN TO NOT OVER TIGHTEN THE VENT VALVES ([200](#) OR [200A](#)) AS STRIPPED TREADS ON EITHER THE VALVE OR CELL COVER MAY ALLOW CONTAINMENTS TO ENTER THE CELL ([120](#) OR [120A](#)). ANY STRIPPED TREADS REQUIRE COMPONENT REPLACEMENT.



COMPONENT MAINTENANCE MANUAL

40176-4 / 40176-7

- (1) Confirm the vent valve ([200](#) or [200A](#)) are finger tight on each cell ([120](#) or [120A](#)) by using [T01](#).
- (2) Discharge each cell to zero volts using one of two methods below:
NOTE: It is not necessary to have a rest period between discharge and cell shorting.
 - (a) Method A
 1. Continue to discharge per [Table 1003](#) until each cell is < 1.0V, connect a [T03](#) across its terminals. After all the cells have been shorted, then leave the devices in place for 12 to 24 hours.
 - (b) Method B
 1. Continue to discharge the battery per [Table 1003](#) until each cell is < 0.5V, then connect a shorting clip between its terminals. After all the cells have been shorted, then leave these clips on for 16 to 24 hours.
- (3) At completion of Method A or B, remove the shorting devices.
- (4) If no cell ([120](#) or [120A](#)) is identified for replacement, return to [Figure 1002](#) or [Figure 1003](#).
- (5) If any cell ([120](#) or [120A](#)) was identified for replacement, do [Cell replacement](#).

I. Charge

- (1) Allow the battery to cool to ambient temperature.
- (2) Remove the cover ([020](#)) and holddown pad ([030](#)).
- (3) Prior to charging the battery, loosen (do not remove) all vent valves ([200](#) or [200A](#)). Ensure that the shorting spring has been removed.
NOTE: If the vent valve test is to be done per [Figure 1003](#), do [Vent valve test](#) during the charge.
- (4) Charge the battery using one of the three methods in [Table 1004](#).
 - (a) Record the cell voltages at the start and end of the main charge (Step 1), and then the last 30 minutes of the final charge (Step 2).
 1. If the start cell voltage of the main charge (Step 1) goes above 1.50V, add to the cell about 10 cm³ (0.61 in³) of [M01](#).
 2. During the last 30 minutes of the final charge (Step 2), adjust the [Electrolyte level](#) and check for [Minimum final charge voltage](#).

24-32-03

1009

Aug 15/2022



COMPONENT MAINTENANCE MANUAL
40176-4 / 40176-7

CHARGE TABLE

MAIN CHARGE (STEP 1)			FINAL CHARGE (STEP 2) *
Current	Minimum Time	End of Main Charge Criteria	Current and Time
0.1C ₁ A (3.6A)	10h	Every cell >1.5V or 12h whichever comes first	0.1C ₁ A (3.6A) for 4h
0.5C ₁ A (18.0A)	2h	Every cell >1.55V or 2.5h whichever comes first	0.1C ₁ A (3.6A) for 4h
1.0C ₁ A (36.0A)	1h	Every cell >1.57V or 1.25h whichever comes first	0.1C ₁ A (3.6A) for 4h

* During the last 30 minutes do [Electrolyte level](#) and confirm minimum voltage criteria in [Table 1005](#).

Charge Table
Table 1004

(1) Minimum final charge voltage

During the last 30 minutes of final charge (Step 2) measure and verify the voltage of each cell ([120](#) or [120A](#)) meets the value shown in [Table 1005](#). Identify each cell that does not comply.

CELL VOLTAGE (Last 30 minutes at 0.1C ₁ A)
≥ 1.50V

Final Charge Voltage Limit
Table 1005

J. Vent valve test

CAUTION: THE CELL OPENINGS MUST BE COVERED WITH A CLEAN DAMP CLOTH TO PREVENT ENTRY OF FOREIGN MATTER.

NOTE: This test is not necessary if all the vent valves are replaced with Saft new valves each year or applicable maintenance interval.

NOTE: It is recommended to do this test while the battery is on charge.

- (1) Check the operation of the vent valve ([200](#) or [200A](#)) assemblies as follows:
 - (a) Using [T01](#), finger tighten the vent valve ([200](#) or [200A](#)) with O-ring ([210](#) or [210A](#)) onto the [T05](#) fixture.
 - (b) Attach the [T05](#) fixture to a compressed air line through an adjustable pressure reducing valve limited to 1.38 bar (20 psi).
 - (c) Slowly raise the air pressure to 1.38 bar (20 psi) maximum to functionally test below.
 - (d) Immerse the valve and end of fixture in water, and slowly raise the pressure. Make sure the valve opens between 0.14 bar to 0.69 bar (2 psi to 10 psi).
 - (e) Reuse only those vent valves found to open in the 0.14 to 0.69 bar (2 psi to 10 psi) range. Re-soak vent valves that do not open at 0.69 bar (10 psi) until they do open (refer to [CLEANING](#) on page [4001](#)). Discard vent relief valves which are not gas tight at low pressure.

24-32-03

COMPONENT MAINTENANCE MANUAL 40176-4 / 40176-7

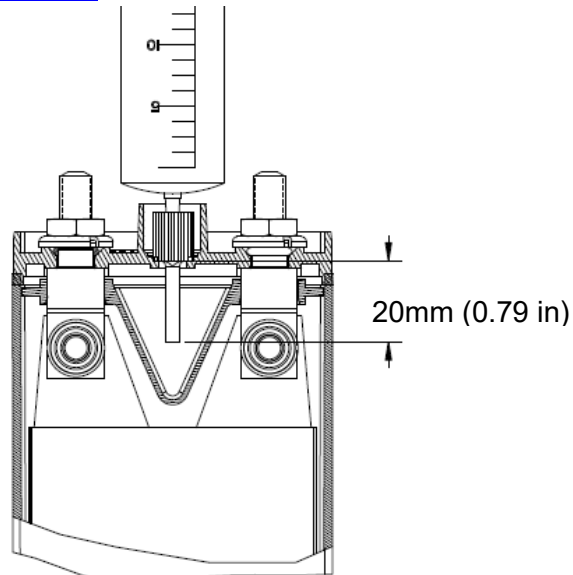
K. Electrolyte level

This procedure is to be carried out only during the last 30 minutes of the 0.1C₁A final charge (Step 2).

WARNING: USE CARE NOT TO TILT CELLS WHILE VENT VALVES ARE LOOSENED OR REMOVED; CONTACT OF ELECTROLYTE WITH SKIN CAN CAUSE SEVERE BURNS.

CAUTION: USING ANYTHING OTHER THAN [M01](#) IN NICKEL-CADMIUM CELLS WILL CAUSE ELECTROLYTE CONTAMINATION AND DAMAGE. DO NOT RE-USE WATER REMOVED FROM CELLS.

- (1) Remove the vent valves ([200](#) or [200A](#)) with the [T01](#), taking precautions to prevent entry of foreign matter into the cell ([120](#) or [120A](#)).
 - (a) Clean vent valves ([200](#) or [200A](#)) by immersing the valves and their O-rings ([210](#) or [210A](#)) in [M01](#) and let them soak to dissolve any salts. Inserting [T02](#) into the cell opening until the shoulder of the nozzle rests on the valve seat as shown in [Figure 1004](#).



Position of Syringe in Cell Vent Seat

Figure 1004

- (2) Withdraw the plunger and check for any liquid in the [T02](#).
 - (a) Any excess liquid in the cell will be drawn into the syringe until the electrolyte level is correct.
 - (b) If the liquid level is too low, the syringe will remain empty, indicating that the end of the syringe nozzle did not reach the liquid in the cell.



COMPONENT MAINTENANCE MANUAL
40176-4 / 40176-7

NOTE: If the quantity of water added per cell exceeds 25 cm³ (1.53 in³), then check the charging system. If the charger is functioning properly, the maintenance period may need to be reduced.

1. Draw a measured amount of [M01](#), such as 5 cm³ (0.31 in³) into [T02](#) and inject it into the cell.
2. With the syringe nozzle resting on the valve seat, slowly withdraw the plunger into [T02](#).
3. If [T02](#) remains empty, repeat steps [1](#) and [2](#), counting the total number of cm³ required to achieve the correct level.
4. At the point in step [2](#) when some excess liquid is drawn into the syringe, the correct level for that cell has been reached. Expel the excess liquid into a separate container for proper disposal of hazardous waste.
5. Record the amount of water added/removed from each cell in the battery logbook or battery test sheet.

WARNING: CARE SHOULD BE TAKEN TO NOT OVER TIGHTEN THE VENT VALVES ([200](#) OR [200A](#)) AS STRIPPED TREADS ON EITHER THE VALVE OR CELL COVER MAY ALLOW ELECTROLYTE LEAKAGE WHILE ON THE AIRCRAFT RESULTING IN UNSCHEDULED REMOVALS. ANY STRIPPED TREADS REQUIRE COMPONENT REPLACEMENT.

- (3) Using [T01](#), finger tighten the vent valve ([200](#) or [200A](#)) on each cell ([120](#) or [120A](#)).

L. Capacity test (second discharge)

The purpose of this discharge procedure is to verify minimum battery capacity.

- (1) Prior to doing the capacity test, do [Charge](#) and [Electrolyte level](#).

CAUTION: CARE SHOULD BE TAKEN TO NOT OVER TIGHTEN THE VENT VALVES ([200](#) OR [200A](#)) AS STRIPPED TREADS ON EITHER THE VALVE OR CELL COVER MAY ALLOW CONTAINMENTS TO ENTER THE CELL ([120](#) OR [120A](#)). ANY STRIPPED TREADS REQUIRE COMPONENT REPLACEMENT.

- (2) Using [T01](#), verify vent valve ([200](#) or [200A](#)) is finger tight on each cell ([120](#) or [120A](#)).
- (3) Discharge the battery at one of the current rates shown in [Table 1004](#) until the battery reaches 20.0V to determine and record the times the first cell reaches 1.0V and battery reaches 20.0V.

NOTE: It is important that the discharge current be continually maintained at the selected value, and that the time of discharge is measured accurately.

NOTE: If a cell goes to zero volts or reverses polarity during the discharge, short out that cell's terminals with [T03](#) for the remainder of the discharge.

COMPONENT MAINTENANCE MANUAL 40176-4 / 40176-7

DISCHARGE		MINIMUM TIME FOR FIRST CELL TO 1.0V
RATE (C ₁)	CURRENT (AMPS)	
0.5	18.0	122.0 MINUTES
1.0	36.0	60.0 MINUTES

Capacity Test (Second Discharge)
Table 1006

- (4) If the time until the first cell reached 1.0V equals or exceeds the values shown in [Table 1006](#) at the discharge rate, then the capacity is $\geq 100\%$. Allow the battery to rest at least 2 hours.
- (5) If the time the first cell reached is less than the minimum time shown in [Table 1006](#) at the discharge rate, the capacity is $< 100\%$.

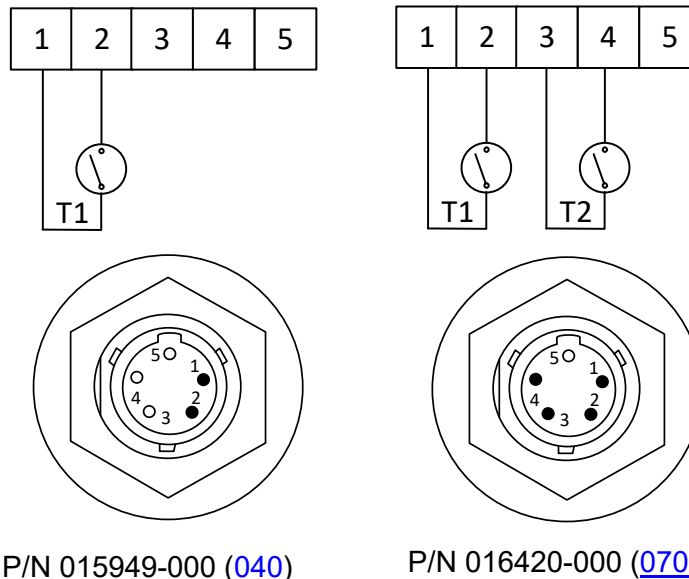
M. Sensor harness ([040](#) or [070](#)) test

WARNING: A FULLY ASSEMBLED BATTERY MUST BE IN A FULLY DISCHARGED CHARGE STATE TO PREVENT INJURY, REFER TO [CELL SHORTING](#).

- (1) If any part of the harness ([040](#) or [070](#)) is damaged, the entire assembly must be replaced with new Saft sensor harness ([040](#) or [070](#)).

NOTE: A climate chamber or alternate methods may be used provided the temperatures below are achieved.

NOTE: Refer to [Figure 1005](#) for pinout locations.



Pinout
Figure 1005



COMPONENT MAINTENANCE MANUAL
40176-4 / 40176-7

(2) Sensor harness ([040](#) or [070](#))

Verify the sensor values at the temperature as required by [Table 1007](#). Any erratic readings represent a failure and replace with new Saft sensor harness ([040](#) or [070](#)).

SENSOR P/N	IPL	BATTERY TYPE	PINS	VALUES
015949-000	040	40176-4	pins 1 to 2	Closes < 5Ω on rise @ +57 ± 2.8°C (+135 ± 5°F) Opens > 1 MΩ maximum differential of @ -6.2°C (-12°F) Max
016420-000	070	40176-7	pins 1 to 2	Closes < 5Ω on rise @ +57 ± 2.8°C (+135 ± 5°F) Opens > 1 MΩ maximum differential of @ -6.2°C (-12°F) Max
			pins 3 to 4	Closed < 5Ω @ +1.8 ± 2.8°C (35 ± 5°F) Opens > 1 MΩ @ +10°C (+50°F) Max

Sensor Values
Table 1007

N. Special testing

These procedures are to be followed for a battery that does not meet capacity or if the end of charge cell voltage was < 1.50V during the final charge. Refer to [Figure 1006](#) flow chart.

NOTE: For a new battery or one removed from the aircraft that has not passed capacity after doing the special testing more than 3 times, then it is recommended to replace noncompliant cells with new Saft cells ([120](#) or [120A](#)), refer to [All cell replacement](#) recommendation.

NOTE: For battery from long-term storage, several complete charge/discharge cycles may be needed to restore performance.

(1) Special testing decision

For a battery with < 100% capacity, do [Low capacity \(Special testing\)](#). Otherwise for a battery with any cell voltage < 1.50V, do [Supplementary test](#).

(2) Low capacity (Special testing)

- (a) Loosen, but do not remove all vent valves ([200](#) or [200A](#)) and fully charge the battery as outlined in [Charge](#) section.
- (b) For a battery containing any cell with voltage < 1.50V during the final charge, do [Supplementary test](#). Otherwise, do [Capacity test \(Special testing\)](#).

(3) Supplementary test

- (a) Charge at 0.1C₁A for an additional 5 hours and monitor the voltage of the individual cells every 30 minutes.
 - 1. Identify for replacement any cell ([120](#) or [120A](#)) with voltage < 1.50V.
 - 2. During the last 30 minutes of this charge adjust the [Electrolyte level](#).



COMPONENT MAINTENANCE MANUAL

40176-4 / 40176-7

3. Do [Cell replacement](#) for cells identified for replacement. Otherwise, do [Capacity test \(Special testing\)](#).

NOTE: If more than one cell ([120](#) or [120A](#)) was replaced due to low charge voltage during the current maintenance cycle, then the replacement of all cells should be considered. Refer to [Cell replacement](#).

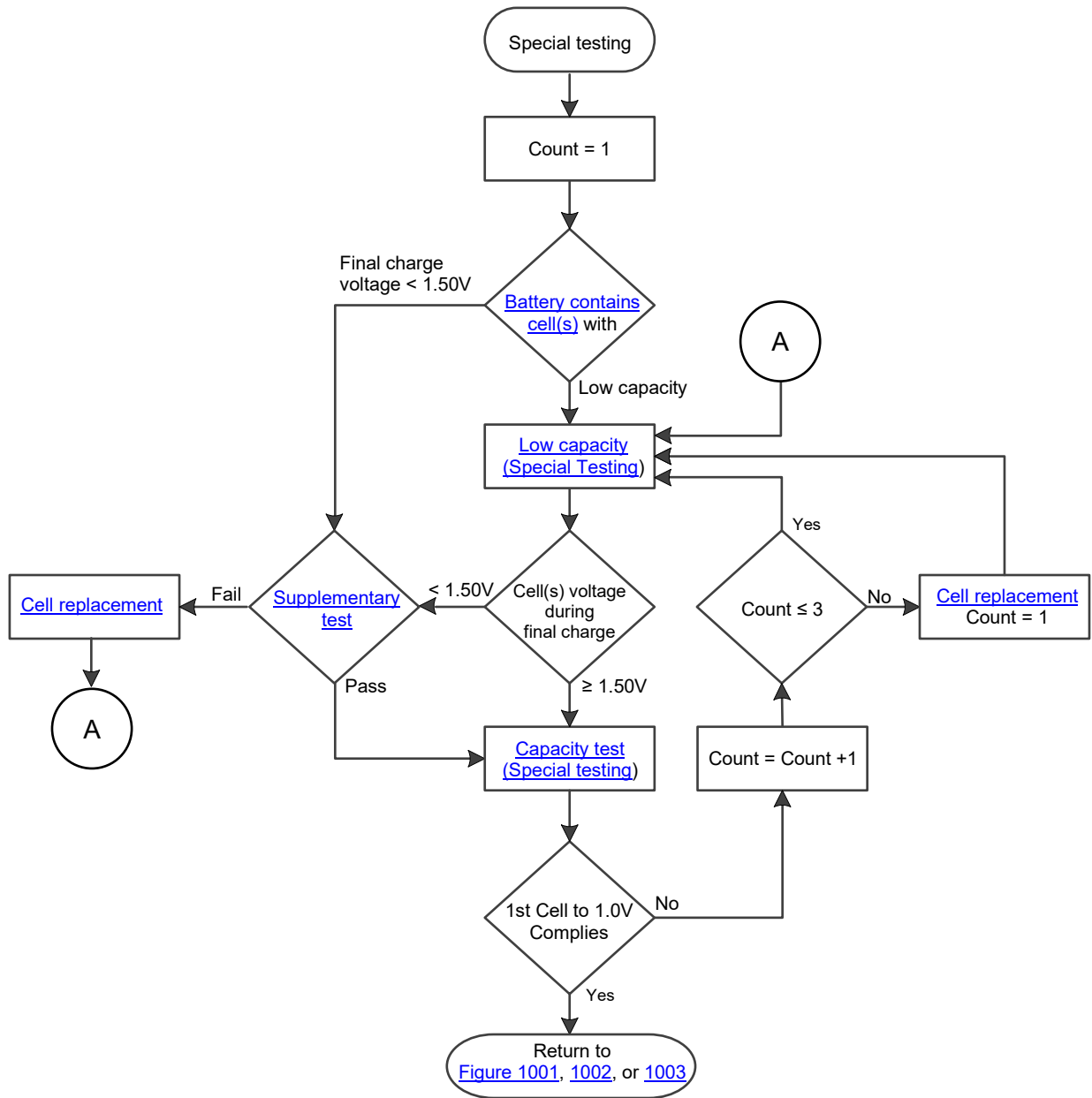
- (4) Capacity test (Special testing)

CAUTION: CARE SHOULD BE TAKEN TO NOT OVER TIGHTEN THE VENT VALVES ([200](#) or [200A](#)) AS STRIPPED TREADS ON EITHER THE VALVE OR CELL COVER MAY ALLOW CONTAINMENTS TO ENTER THE CELL ([120](#) or [120A](#)). ANY STRIPPED TREADS REQUIRE COMPONENT REPLACEMENT.

- (a) Using [T01](#), verify the vent valve ([200](#) or [200A](#)) is finger tight on each cell ([120](#) or [120A](#)).
- (b) Discharge the battery at a rate shown in [Table 1006](#) until the battery reaches 20.0V. Record the time and current the battery reached 20.0V and identify noncompliant cells with voltages < 1.0V.
- (c) If the time the first cell reached 1.0V equals or exceeds the values shown in [Table 1006](#) at the applicable discharge rate, then return to [Figure 1001](#), [Figure 1002](#), or [Figure 1003](#). Otherwise repeat [Low capacity \(Special testing\)](#) or refer to [Fault Isolation](#).
 1. For noncompliant cells that have failed this capacity test 3 times, replace with new Saft cells ([120](#) or [120A](#)), refer to [Cell replacement](#).

24-32-03

1015
Aug 15/2022



Special Testing Flow Chart
Figure 1006



COMPONENT MAINTENANCE MANUAL
40176-4 / 40176-7

5. Fault Isolation

Fault isolation information is presented in [Table 1008](#), [Table 1009](#), or [Table 1010](#) as a guide in locating a cause of malfunction and isolating the cause to a specific component.

TEST STEP	TROUBLE	PROBABLE CAUSE	REMEDY
4.E.	(1) No battery voltage	(a) Defective electrical connector (not making contact). (b) Broken or damaged links, upper nuts	Check electrical connections, replace if required Power connector replacement , Cell hardware replacement , Link replacement , or Upper nut tightness
4.C.	(2) Low insulation	(a) Leakage of electrolyte (b) Incorrect electrolyte level (c) Reverse cell polarity (d) Condensation / Contamination (e) Improper cleaning (f) Loose or damage vent valve (g) Damaged cell case (h) Charge rate too high	Do Thorough Cleaning , ASSEMBLY , Charge , Electrolyte level Figure tighten or replace vent valve, do Thorough Cleaning , ASSEMBLY , Charge , Electrolyte level Do Thorough Cleaning , Cell replacement , ASSEMBLY , Charge , Electrolyte level Investigate the cause of the excessive charge. Do Thorough Cleaning , ASSEMBLY , Charge , Electrolyte level
4.L.	(3) Loss of battery capacity	(a) Normal wear after long service (b) Exceptionally heavy use	Do Special testing

Battery Faults
Table 1008



COMPONENT MAINTENANCE MANUAL
40176-4 / 40176-7

TEST STEP	TROUBLE	PROBABLE CAUSE	REMEDY
4.K.	(1) All cells have reserve consumed	(a) Charged more than allowed or charged at high temperature. (b) Previous maintenance has not been done (c) Maintenance interval too long	Examine the cause of the excessive charge. Do Charge , Electrolyte level and be sure what for the next maintenance interval. If this continues a periodical check should be done in between the regular checks.
4.K.	(2) High water consumption in one or more cells	(a) Damaged separator when the water consumption is less than 30% below the average value of added water in all cells. (b) Cell imbalance when water addition is more than 30% above the average value of added water in all cells.	Do Charge , Supplementary test . Do Thorough Cleaning , Cell replacement , ASSEMBLY , Charge , Electrolyte level
4.I.	(3) Abnormally high cell voltage at beginning of charge	(a) Dry cell	Add 5 to 10 cm ³ (0.31 to 0.61 in ³) of distilled water, do Electrolyte level during final charge
4.F.	(4) Zero Voltage on cell	(a) Short-circuited cell	Do Cell replacement
4.I.	(5) Low cell voltage at end of charge	(a) Separator damage	Do Cell replacement
4.L.	(6) Low cell capacity	(a) Normal wear from long service	Do Cell replacement
4.A.	(7) Cell with a swollen case	(a) Cell operated with low electrolyte level, deterioration of separator and damaged plates	Do Cell replacement

Cell Faults
Table 1009



COMPONENT MAINTENANCE MANUAL
40176-4 / 40176-7

TEST STEP	TROUBLE	PROBABLE CAUSE	REMEDY
4.B.	(1) Tarnished or burned terminal connectors	(a) Loose terminal nuts and links	Clean and torque per Table 8001 or do Power connector replacement , Link replacement , or Cell hardware replacement .
4.B.	(2) Exposed copper material on power connector pin	(a) Mechanical damage (b) Electrical arcing	Do Power connector replacement
4.B.	(3) Melted plastic on connectors	(a) Overheat due to contact resistance	Do Power connector replacement
4.B.	(4) Corroded links	(a) Operation in acidic atmosphere (b) Inadequate greasing (c) Mechanical damage to protective nickel-plating	Check room, eliminate acid source Do Link replacement and lubricate properly Do Link replacement and lubricate properly
4.B.	Battery case and cover damage with dents, deformations, and visible cracks which affect fit or impede performance.	(a) Various, transport (b) Mechanical stress, drop	Replace defective component. Refer to Case replacement

Physical Faults
Table 1010



COMPONENT MAINTENANCE MANUAL
40176-4 / 40176-7

PAGE INTENTIONALLY LEFT BLANK

24-32-03

1020
Aug 15/2022



COMPONENT MAINTENANCE MANUAL
40176-4 / 40176-7
DISASSEMBLY

1. General

This section provides step-by-step instructions on disassembling the complete battery.

NOTE: The () part identification numbers herein are [IPL Figure 1](#) item numbers.

2. Equipment and Materials

A. Equipment

NOTE: Equivalent equipment may be used.

EQUIPMENT	MINIMUM EQUIPMENT SPECIFICATION		SOURCE OR CAGE CODE	REPRESENTATIVE TYPE (MFG MODEL/CAGE)
	CHAR.	RANGE, ACCURACY, TOLERANCE		
Universal vent wrench	-	-	09052 F6177	093365-000 (T01) 413876
Equalizing resistors	-	1 Ω 3 W	F6177	164829 (T03)
Cell puller tool	-	-	09052 F6177	017556-000 (T04) 416159

Equipment (Disassembly)
Table 3001

B. Materials

No materials required.

3. Instructions

WARNING: BATTERY CELL ASSEMBLIES DELIVER VERY HIGH CURRENTS WHEN SHORT-CIRCUITED. EXERCISE CAUTION. REMOVE RINGS, WATCHES OR OTHER JEWELRY FROM HANDS AND ARMS.

WARNING: BATTERY MUST BE COMPLETELY DISCHARGED BEFORE CELL ASSEMBLIES CAN BE REMOVED DUE TO POSSIBILITY OF ELECTRIC SHOCK.

WARNING: USE CARE NOT TO TILT BATTERY WHILE VENT VALVES ARE LOOSENEED; CONTACT OF ELECTROLYTE WITH SKIN CAN CAUSE SEVERE BURNS.

A. Preparation

- (1) Discharge the battery at one of the current rates shown in [Table 1006](#) until each cell reaches 1.0V.
- (2) Remove cover ([020](#)) by opening latches and lifting cover from case ([010](#) or [010A](#)), ([012](#) or [012A](#)).
- (3) Do [Cell shorting](#)

24-32-03

3001
Sep 6/2022



COMPONENT MAINTENANCE MANUAL
40176-4 / 40176-7

- B. Cell ([120](#) or [120A](#)) removal
 - (1) Remove the upper nuts ([100](#)), ([130](#)) and washers ([110](#) or [110A](#)), ([134](#) or [134A](#)) from the battery.
 - (2) Remove intercell terminal links ([220](#)), ([230](#)), ([240](#)), ([250](#)), ([260](#) or [270](#)) from terminals of cells ([120](#) or [120A](#)).
 - (3) Using [T04](#) tighten on the cell terminals as needed to remove cells ([120](#) or [120A](#)) from the battery case ([010](#) or [010A](#)), ([012](#) or [012A](#)).
- C. Disassembly of the cell assemblies ([120](#) or [120A](#)) is restricted to replacing defective O-rings ([190](#) or [190A](#)) of the cell terminal seals and small cell hardware, refer to [Cell hardware replacement](#).
- D. Power connector ([280](#))
Remove power connector ([280](#)) and gasket ([300](#)) by removing four screws ([290](#)) or ([292](#) and [294](#)).
- E. Sensor harness ([040](#) or [070](#)) removal
 - (1) Remove the connector nut ([050](#) or [080](#)) and O-ring ([060](#) or [090](#)) of the sensor assembly from the battery case ([010](#) or [010A](#)), ([012](#) or [012A](#)).
 - (2) For sensor harness ([040](#)) separate the thermostat from link ([250](#)) by removing the hex nut ([045](#)).
 - (3) For sensor harness ([070](#)) separate the thermostats from links ([250](#)), ([270](#)) by removing the hex nuts ([075](#)).
- F. Remove all spacers ([310](#)) from the battery case ([010](#) or [010A](#)), ([012](#) or [012A](#)).



COMPONENT MAINTENANCE MANUAL
40176-4 / 40176-7

CLEANING

1. General

CAUTION: DO NOT USE PETROLEUM SPIRITS, TRICHLOROETHYLENE, OR OTHER SOLVENTS FOR CLEANING THE BATTERY. USE OF THESE PRODUCTS MAY DETERIORATE THE INTEGRITY OF METAL PARTS.

NOTE: The () part identification numbers herein are [IPL Figure 1](#) item numbers.

2. Equipment and Materials

A. Equipment

NOTE: Equivalent equipment may be used.

EQUIPMENT	MINIMUM EQUIPMENT SPECIFICATION		SOURCE OR CAGE CODE	REPRESENTATIVE TYPE (MFG MODEL/CAGE)
	CHAR.	RANGE, ACCURACY, TOLERANCE		
Stiff bristle brush	Non-metallic	-	Commercially Available	-
Fine wire brush	-	-	Commercially Available	-
Soft brush	Non-metallic	-	Commercially Available	-

Equipment (Cleaning)
Table 4001

B. Materials

NAME	SPECIFICATION OR PART NUMBER	SOURCE OR CAGE CODE	USE
Neutral petroleum jelly	M02	Commercially Available	Lubrication
Mild soap	M03	Commercially Available	Cleaning
Cloth, soft, clean	-	Commercially Available	Protect from FOD

Materials (Cleaning)
Table 4002



COMPONENT MAINTENANCE MANUAL
40176-4 / 40176-7

3. Light Cleaning

- A. The following procedures are for an assembled battery with battery cover (020) and holddown pad (030) removed.

CAUTION: CARE SHOULD BE TAKEN TO NOT OVER TIGHTEN THE VENT VALVES (200 OR 200A) AS STRIPPED TREADS ON EITHER THE VALVE OR CELL COVER MAY ALLOW CONTAINMENTS TO ENTER THE CELL (120 OR 120A). ANY STRIPPED TREADS REQUIRE COMPONENT REPLACEMENT.

- B. Using T01, make sure that the vent valves (200 or 200A) of all cells (120 or 120A) are finger tight, closed and secure. Do not over-tighten.
- C. Remove white deposits (potassium carbonate) from tops of all cells (120 or 120A) using a stiff bristled nonmetallic brush.

WARNING: TO PREVENT INJURY WHEN USING COMPRESSED AIR, DIRECT STREAM AWAY FROM BODY. USE SAFETY GOGGLES TO PREVENT EYE INJURIES FROM FINE DUST PARTICLES.

- D. Disperse residual dust and particles from the battery with blasts of clean, dry, compressed air not over 1.38 bar (20 psi).
- E. Coat hex nuts (100), (130), (140), washers (110 or 110A), (134 or 134A) (170 or 170A), (180), and all intercell terminal links (220), (230), (240), (250), (260 or 270) with M02.

CAUTION: SILICONE COATINGS ARE NOT SUITABLE DUE TO THE ALKALINE ELECTROLYTE.

- F. Clean the exterior surfaces of the battery cover (020) and battery case (010 or 010A), (012 or 012A) using a soft, clean cloth, moistened with water. Dry with compressed air not over 1.38 bar (20 psi) or a dry, clean cloth.

4. Thorough Cleaning

- A. The battery must be discharged (refer to [Initial Discharge](#) and [Cell shorting](#)) and disassembled (refer [DISASSEMBLY](#)).
- B. Remove greasy residue from power connector (280) with warm mild soapy M03 water.
- C. After ensuring that the vent valves (200 or 200A) are closed, wash each cell (120 or 120A) in running water. Do not allow any water to enter the cell. Dry with compressed air not over 1.38 bar (20 psi) or a dry, clean cloth.
- D. Remove dirt and salt deposits from the battery case (010 or 010A), (012 or 012A), cover (020), pad (030), spacers (310), links (220), (230), (240), (250), (260 or 270), washers (110 or 110A), (134 or 134A), (294), nuts (045 or 075), (050 or 080), (100), (130), screws (290 or 292), O-ring (060 or 090), and gasket (300) in warm mild soapy M03 water. A plastic scraper or a stiff bristled brush (nonmetallic) may be used to aid in the removal of heavy deposits. Rinse away all M03 and dry with compressed air not over 1.38 bar (20 psi) or a dry, clean cloth.



COMPONENT MAINTENANCE MANUAL
40176-4 / 40176-7

CHECK

1. General

This section contains new battery commissioning and component inspection information.

NOTE: All voltage readings are DC unless specifically otherwise stated.

NOTE: All () part identification numbers herein are [IPL Figure 1](#) item numbers.

2. Equipment and Materials

A. Equipment

No equipment required

B. Materials

No materials required

3. Initial New Battery Commissioning

A. Before the initial charge, thoroughly inspect the battery assembly to ensure no damage has occurred during shipping or storage as follows:

NOTE: For a new battery not receiving its initial commission within one year of its DOM, then battery must follow [Figure 1002](#)

(1) Inspect the battery case ([010](#) or [010A](#)), ([012](#) or [012A](#)) and cover ([020](#)) for dents, distortion, or other damage. If found, replace with new Saft cover ([020](#)) or case ([010](#) or [010A](#)), ([012](#) or [012A](#)).

(2) Remove the battery cover ([020](#)) and pad ([030](#)).

(3) Visually confirm the power connector ([280](#)) is present and undamaged.

(4) Visually confirm all cells ([120](#) or [120A](#)) are positioned for proper polarity per [Figure 7002](#).

(5) Visually confirm all cells ([120](#) or [120A](#)) are equipped with a vent valve ([200](#) or [200A](#)).

(6) Tighten all upper nuts ([100](#)), ([130](#)) per [Table 8001](#).

(7) Visually confirm the sensor harness ([040](#) or [070](#)) is present and undamaged.

B. [Charge](#) the battery as shown on page [1009](#) and level electrolyte per [Electrolyte level](#) on page [1011](#).

C. Do successful [Battery insulation](#) test and install battery pad ([030](#)) and cover ([020](#)), then the battery is ready for service.

4. Component Inspection

A. Cell ([120](#) or [120A](#)).

(1) Visually check each cell carefully for evidence of electrolyte leakage, cracks, corrosion, burns, holes, or cross-threaded terminals. Replace all damaged cells with new Saft cells ([120](#) or [120A](#)).

24-32-03

5001
Aug 15/2022



COMPONENT MAINTENANCE MANUAL
40176-4 / 40176-7

- (2) Excessive salt around a terminal post indicates leakage. Refer to [Cell hardware replacement](#) on page [6002](#) for replacement of lower terminal O-ring ([190](#) or [190A](#)) if leakage is evident.
 - (3) Visually check each cell vent valve ([200](#) or [200A](#)) for defective O-rings ([210](#) or [210A](#)), cracks, or other physical damage. Replace if defective.
 - (4) Suspect vent valves should be tested in accordance with [Vent valve test](#) and/or be discarded.
- B. Inspect the nuts ([100](#)), ([130](#)) and washers ([110](#)), ([134](#) or [134A](#)) to ensure it is free of bends, tarnish, corrosion, burns, or loss of plating. Minor tarnish can be polished off with a fine wire brush. Defective hardware should be replaced.
- C. Intercell terminal links ([220](#)), ([230](#)), ([240](#)), ([250](#)), ([260](#) or [270](#))
Inspect for bends, tarnish, loss of nickel plating, corrosion, or burns. Tarnish can be polished off with a fine wire brush. Replace any defective intercell links.
- D. Spacers ([310](#)) and pad ([030](#))
The components should be clean and free of cracks or defects. Replace any that are defective with new Saft components.
- E. Power connector ([280](#))
CAUTION: A DEFECTIVE POWER CONNECTOR ([280](#)) CAN CAUSE DANGEROUS OVERHEATING, AS WELL AS IN SERVICE LOW VOLTAGE.
- (1) Inspect the power connector ([280](#)) for evidence of arching, corrosion, cracks, or cross threaded terminals.
 - (2) Using the method in [Battery insulation](#) check on page [1007](#), check the insulation between the positive pin and the connector shell and the negative pin and connector shell.
 - (3) Discard any power connector ([280](#)) that is found to have any damage or fails the insulation test. Replace with new Saft power connector ([280](#)).
- F. Sensor harness ([040](#) or [070](#))
- (1) Inspect electrical connector for bent or loose pins, corrosion, cracks, faulty wire connections, and evidence of arcing.
 - (2) Inspect thermostat(s) for damage, loose or broken wire connections, cracks, dents, or other physical defects.
 - (3) Visually check all wiring damage to insulation, cracked or broken wire, and other physical defects.
 - (4) Any evidence of the above conditions, however minor, is grounds for rejection. Discard the damaged unit and replace with new Saft sensor harness ([040](#) or [070](#)).
- NOTE:** Sensor harness ([040](#) or [070](#)) is a non-repairable item and should be discarded if defective.



COMPONENT MAINTENANCE MANUAL
40176-4 / 40176-7

REPAIR

1. General

This section contains basic battery component for removing and replacing components.

NOTE: The () part identification numbers herein are [IPL Figure 1](#) item numbers.

NOTE: All voltage readings are DC unless specifically otherwise stated.

2. Equipment and Materials

A. Equipment

NOTE: Equivalent equipment may be used.

EQUIPMENT	MINIMUM EQUIPMENT SPECIFICATION		SOURCE OR CAGE CODE	REPRESENTATIVE TYPE (MFG MODEL/CAGE)
	CHAR.	RANGE, ACCURACY, TOLERANCE		
Universal vent wrench	-	-	09052 F6177	093365-000 (T01) 413876
Equalizing resistors	-	1 Ω 3 W	F6177	164829 (T03)
Cell puller tool	-	-	09052 F6177	017556-000 (T04) 416159

Equipment (Repair)
Table 6001

B. Materials

NOTE: Equivalent substitutes are permitted for all items except for those that become part of the configured unit.

NAME	SPECIFICATION OR PART NUMBER	SOURCE OR CAGE CODE	USE
Neutral petroleum jelly	M02	Commercially Available	Lubrication

Materials (Repair)
Table 6002

3. Component Replacement

A. Cell ([120](#) or [120A](#)) replacement

Battery containing cell(s) require replacement. Note the [All cell replacement](#) recommendation below.

(1) All cell replacement

- (a) For a battery compliant with the following then it is best to assume that all the original cells are or soon will be in unsatisfactory condition. Saft strongly recommends all cells ([120](#) or [120A](#)) should be replaced with new Saft cells for a battery having:



COMPONENT MAINTENANCE MANUAL
40176-4 / 40176-7

1. 3 or more cells are replaced during the same maintenance interval.

Or

2. 1 or more cells are found to be faulty due to low capacity during this maintenance period and 5 of the original cells in the battery had been previously replaced due to low capacity.

NOTE: The recommendation does not apply to the following failures:
terminal thread damage, cell leakage, or cell short-circuit

(2) Procedure

- (a) Discharge the battery completely by doing [Cell shorting](#).
- (b) Remove upper hex nuts ([100](#)), ([130](#)), washers ([110](#) or [110A](#)), ([134](#) or [134A](#)), and intercell connecting links ([220](#)), ([230](#)), ([240](#)), ([250](#)), ([260](#) or [270](#)) as required to remove the defective cell ([120](#) or [120A](#)).
- (c) Attach [T04](#) to the terminal of the cell and remove cell ([120](#) or [120A](#)) from the case using a steady upward pull.
- (d) Insert a new Saft cell ([120](#) or [120A](#)) into the case and pushing it downward on the cell terminals with a small block of soft wood, if necessary (refer [All cell replacement](#))
NOTE: New cell must be discharged before installation is done.
- (e) Attach intercell connecting links ([220](#)), ([230](#)), ([240](#)), ([250](#)), ([260](#) or [270](#)), washers ([110](#) or [110A](#)), ([134](#) or [134A](#)), and upper hex nuts ([100](#)), ([130](#)) as required, and torque nuts per [Table 8001](#).

B. Lower nut ([140](#)) tightness

- (1) Remove applicable hardware; nuts ([100](#)), ([130](#)), washers ([110](#) or [110A](#)), ([134](#) or [134A](#)) and links ([220](#)), ([230](#)), ([240](#)), ([250](#)), ([260](#) or [270](#)). Torque the lower nut ([140](#)) per [Table 8001](#).
- (2) Install the applicable hardware; the links ([220](#)), ([230](#)), ([240](#)), ([250](#)), ([260](#) or [270](#)), washers ([110](#) or [110A](#)), ([134](#) or [134A](#)), and nuts ([100](#)), ([130](#)). Torque the nuts per [Table 8001](#).

C. Cell hardware ([140](#)), ([150](#) or [150A](#)), ([160](#) or [160A](#)), ([170](#) or [170A](#)), ([180](#)), or O-ring ([190](#) or [190A](#)) replacement

WARNING: USE CARE NOT TO TILT CELLS WHILE LOWER HARDWARE ARE LOOSENED OR REMOVED; CONTACT OF ELECTROLYTE WITH CAN CAUSE SEVERE BURNS.

NOTE: The battery should be discharged prior to starting cell hardware replacement.

- (1) Replace necessary cell hardware ([140](#)), ([150](#) or [150A](#)), ([160](#) or [160A](#)), ([170](#) or [170A](#)), ([180](#)) by removing and replacing the nuts ([100](#)), ([130](#)), washers ([110](#) or [110A](#)), ([134](#) or [134A](#)), and links ([220](#)), ([230](#)), ([240](#)), ([250](#)), ([260](#) or [270](#)). Torque nuts per [Table 8001](#).
- (2) Terminal O-ring ([190](#) or [190A](#)) replacement
 - (a) Remove necessary hardware; nuts ([100](#)), ([130](#)), washers ([110](#) or [110A](#)), ([134](#) or [134A](#)), and links ([220](#)), ([230](#)), ([240](#)), ([250](#)), ([260](#) or [270](#)).

24-32-03

6002
Sep 6/2022



COMPONENT MAINTENANCE MANUAL

40176-4 / 40176-7

- (b) Remove lower nut ([140](#)), the polarity washer ([150](#) or [160](#)), the washers ([170](#) or [170A](#)), ([180](#)), and terminal O-ring ([190](#) or [190A](#)) being careful to prevent anything from falling into the cell opening.
- (c) Replace O-ring ([190](#) or [190A](#)), install washers ([180](#)), ([170](#) or [170A](#)), the polarity washer ([150](#) or [160](#)), and torque lower hex nut ([140](#)) per [Table 8001](#).
NOTE: Spring washers ([170](#)) should be put in parallel, stacked in the same direction with the larger edge downward on the terminal.
- (d) Install the necessary links ([220](#)), ([230](#)), ([240](#)), ([250](#)), ([260](#) or [270](#)), washers ([110](#) or [110A](#)), ([134](#) or [134A](#)), and nuts ([100](#)), ([130](#)). Torque nuts per [Table 8001](#) as required.

D. Link replacement ([220](#)), ([230](#)), ([240](#)), ([250](#)), ([260](#) or [270](#))

- (1) As required remove the nuts ([100](#)), ([130](#)) and washers ([110](#) or [110A](#)), ([134](#) or [134A](#)) from the link.
- (2) Replace the link ([220](#)), ([230](#)), ([240](#)), ([250](#)), ([260](#) or [270](#)) as required and then install the washers ([110](#) or [110A](#)), ([134](#) or [134A](#)), and nuts ([100](#)), ([130](#)). Torque nuts per [Table 8001](#).

E. Vent valve O-ring ([210](#) or [210A](#)) replacement

WARNING: USE CARE NOT TO TILT CELLS WHILE VENT VALVES ARE LOOSENED OR REMOVED; CONTACT OF ELECTROLYTE WITH CAN CAUSE SEVERE BURNS.

- (1) Using the vent valve wrench [T01](#), loosen and remove the vent valve ([200](#) or [200A](#)) from each cell.
- (2) Remove and replace O-rings ([210](#) or [210A](#)) from the vent valves ([200](#) or [200A](#)).

CAUTION: CARE SHOULD BE TAKEN TO NOT OVER TIGHTEN THE VENT VALVES ([200](#) OR [200A](#)) AS STRIPPED TREADS ON EITHER THE VALVE OR CELL COVER MAY ALLOW CONTAINMENTS TO ENTER THE CELL ([120](#) OR [120A](#)). ANY STRIPPED TREADS REQUIRE COMPONENT REPLACEMENT.

- (3) Using [T01](#), finger tighten the vent valve ([200](#) or [200A](#)) securely in place.

F. Sensor harness replacement

- (1) 40176-4 Sensor harness ([040](#))
 - (a) Remove the upper nuts ([130](#)), washers ([134](#) or [134A](#)) and links ([220](#)), ([250](#)).
 - (b) Remove link ([250](#)) from the cells and then remove the hex nut ([045](#)).
 - (c) Remove the power connector ([280](#)) and gasket ([300](#)) from the battery case ([010](#), or [010A](#)) by removing screws ([290](#)) or ([292](#) and [294](#)).
 - (d) Remove the connector nut ([050](#)) and O-ring ([060](#)) of the sensor harness ([040](#)) from the battery case ([010](#) or [010A](#)), ([012](#) or [012A](#)).
 - (e) Install the O-ring ([060](#)) onto harness connector before placing the connector through the hole in the battery case ([010](#) or [010A](#)), ([012](#) or [012A](#)). Install nut ([050](#)) and torque per [Table 8001](#).

24-32-03

6003
Sep 6/2022



COMPONENT MAINTENANCE MANUAL
40176-4 / 40176-7

- (f) Install sensor harness (040) into the battery case (010 or 010A), (012 or 012A) by installing the connector nut (050) and O-ring (060). Torque per [Table 8001](#).
 - (g) Place the gasket (300) onto the power connector (280) and insert terminals through the oval mounting hole in the front of the battery case (010 or 010A), (012 or 012A) and installing screws (290) or (292 and 294). Secure the receptacle by torquing the screws (290 or 292) per [Table 8001](#).
 - (h) On link (250) install hex nut (045) and torque per [Table 8001](#).
 - (i) Install links (220), (250) onto cells, then install washers (134 or 134A) and upper hex nuts (130). Torque per [Table 8001](#).
 - (j) Lightly lube with [M02](#) the nuts, links, connector contact and all components that might be susceptible to atmospheric corrosion.
- (2) 40176-7 Sensor harness (070)
- (a) Remove the upper hex nuts (130), washers (134 or 134A), and links (220), (250), (270).
 - (b) Remove links (250), (270) from the cells and then remove hex nuts (075).
 - (c) Remove the power connector (280) and gasket (300) from the battery case (010, or 010A) by removing screws (290) or (292 and 294).
 - (d) Remove the connector nut (080) and O-ring (090) of the sensor harness (070) from the battery case (010 or 010A), (012 or 012A).
 - (e) Install new Saft sensor harness (070) by installing the hex nuts (075) onto links (250) and (270). Torque per [Table 8001](#)
 - (f) Install the O-ring (090) onto harness connector and place the connector through the hole in the battery case (010 or 010A), (012 or 012A). Install nut (080) and torque per [Table 8001](#).
 - (g) Place the gasket (300) onto the power connector (280) and insert terminals through the oval mounting hole in the front of the battery case (010 or 010A), (012 or 012A) and installing screws (290) or (292 and 294). Secure the receptacle by torquing the screws (290 or 292) per [Table 8001](#).
 - (h) Install links (220), (250), (270) onto cells, then install washers (134 or 134A) and upper hex nuts (130). Torque per [Table 8001](#).
 - (i) Lightly lube with [M02](#) the nuts, links, connector contact and all components susceptible to corrosion.



COMPONENT MAINTENANCE MANUAL
40176-4 / 40176-7

- G. Power connector ([280](#)) replacement
- (1) Remove the upper hex nuts ([100](#)), ([130](#)), washers ([110](#) or [110A](#)), ([134](#) or [134A](#)), and links ([220](#)).
 - (2) Remove and replace the power connector ([280](#)) and its gasket ([300](#)) from the battery case ([010](#) or [010A](#)), ([012](#) or [012A](#)) by removing screws ([290](#)) or ([292](#) and [294](#)).
 - (3) Place the gasket ([300](#)) onto the power connector ([280](#)), insert through the oval hole in the front of the case ([010](#) or [010A](#)), ([012](#) or [012A](#)) and installing screws ([290](#)) or ([292](#) and [294](#)). Torque the screws ([290](#) or [292](#)) per [Table 8001](#).
 - (4) Install links ([220](#)), washers ([110](#) or [110A](#)), ([134](#) or [134A](#)), and upper hex nuts ([100](#)), ([130](#)). Torque nuts per [Table 8001](#).
- H. Case ([010](#) or [010A](#)), ([012](#) or [012A](#)) replacement.
- (1) Do [DISASSEMBLY](#)
 - (2) Replace new Saft case ([010](#) or [010A](#)) and do [ASSEMBLY](#).

24-32-03

6005
Sep 6/2022



COMPONENT MAINTENANCE MANUAL
40176-4 / 40176-7

PAGE INTENTIONALLY LEFT BLANK

24-32-03

6006
Aug 15/2022



COMPONENT MAINTENANCE MANUAL
40176-4 / 40176-7
ASSEMBLY

1. General

This section contains assembly instructions necessary after disassembly.

NOTE: Make sure all components are clean and dry before re-assembly.

NOTE: All () part identification numbers herein are [IPL Figure 1](#) item numbers.

2. Equipment and Materials

A. Equipment

NOTE: Equivalent equipment may be used.

EQUIPMENT	MINIMUM EQUIPMENT SPECIFICATION		SOURCE OR CAGE CODE	REPRESENTATIVE TYPE (MFG MODEL/CAGE)
	CHAR.	RANGE, ACCURACY, TOLERANCE		
Torque wrench	Insulated	0 to 15 N-m (0 to 133 lb _f -in)	Commercially Available	McMaster-Carr (7936A12)

Equipment (Assembly)
Table 7001

B. Materials

NOTE: Equivalent substitutes are permitted for all items except for those that become part of the configured unit.

NAME	SPECIFICATION OR PART NUMBER	SOURCE OR CAGE CODE	USE
Neutral petroleum jelly	M02	Commercially Available	Lubrication

Materials (Assembly)
Table 7002

3. Sensor harness (040 or 070)

A. Install the O-ring ([060](#) or [090](#)) onto harness connector before placing the connector through the hole in the battery case ([010](#) or [010A](#)), ([012](#) or [012A](#)). Install nut ([050](#) or [080](#)) and torque per [Table 8001](#).

B. For sensor harness ([040](#)), secure and torque the sensor lug in place on link ([250](#)) with nut ([045](#)), refer to [Table 8001](#).

C. For sensor harness ([070](#)), secure and torque the sensor lug in place on links ([250](#)) and ([270](#)) with nuts ([075](#)), refer to [Table 8001](#).



COMPONENT MAINTENANCE MANUAL
40176-4 / 40176-7

4. Power connector (280)

Place the gasket (300) onto the power connector (280) and insert terminals through the oval mounting hole in the front of the battery case (010 or 010A), (012 or 012A) and installing screws (290) or (292 and 294). Secure the receptacle by torquing the screws (290 or 292) per [Table 8001](#).

5. Spacers (310) and cells (120 or 120A)

Install spacers (310) and cell assemblies (120 or 120A) into the battery case (010 or 010A), (012 or 012A), using the following steps. Refer to [Figure 7001](#) or [Figure 7002](#).

- A. Insert one edge of bottom spacer into battery case (010 or 010A), (012 or 012A) from the left or right side, then slide the spacer under the cell partition.

NOTE: Cell insertion is typically easier when a middle cell is the last installed in each row.

- B. Install the left and right side row of cells (120 or 120A) and spacers (310) in accordance to [Figure 7001](#) and [Figure 7002](#). Be sure to maintain the proper cell arrangement and polarity orientation as shown in [Figure 7002](#). Insertion of the last cell on each side is sometimes difficult and can be assisted by pushing down on the terminals with a small block of soft wood.

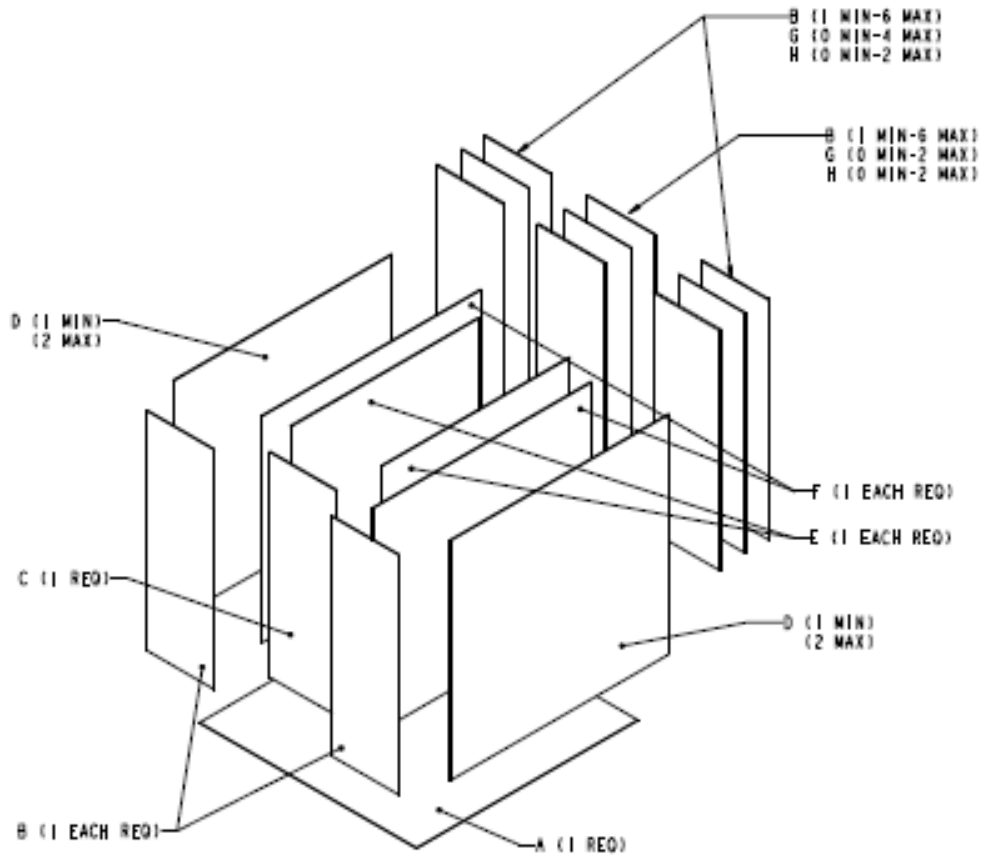
NOTE: Spacers are used as required to ensure the cells are retained securely in place. As indicated in [Figure 7001](#), the maximum quantity to be used is as shown.

- C. Install the center row of cells (120 or 120A) and spacers (310) in accordance to [Figure 7001](#) and [Figure 7002](#). Be sure to maintain the proper cell arrangement and polarity orientation as shown in [Figure 7002](#). Insertion of the last cell is sometimes difficult and can be assisted by pushing down on the terminals with a small block of soft wood.

- D. Torque the lower hex nuts (140) of the cell assemblies (120 or 120A) per [Table 8001](#).

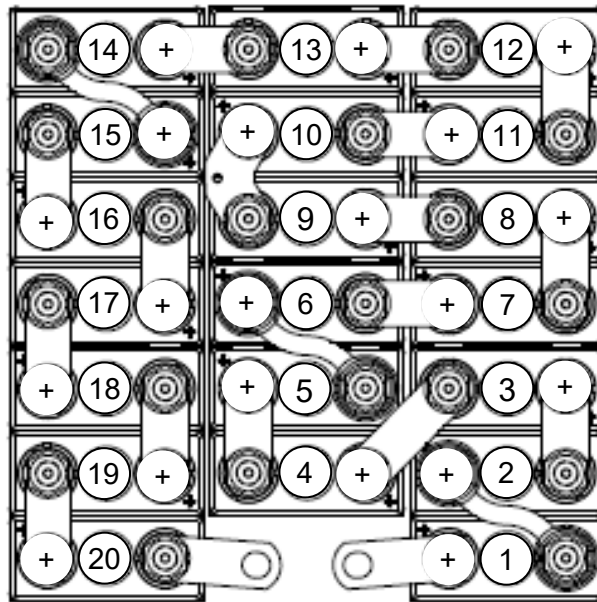
- E. Apply a small amount of [M02](#) to the threads of the cell terminals.

COMPONENT MAINTENANCE MANUAL 40176-4 / 40176-7



Item	Description	Dimension (in)	Unit Per Assembly
A	Spacer	9.580 x 9.780 x 0.015	1
B	Spacer	2.953 x 9.173 x 0.020	20
C	Spacer	2.953 x 8.610 x 0.032	1
D	Spacer	9.646 x 9.173 x 0.032	4
E	Spacer	8.268 x 8.661 x 0.032	2
F	Spacer	9.646 x 8.661 x 0.020	2
G	Spacer	2.953 x 9.173 x 0.032	10
H	Spacer	2.953 x 9.173 x 0.062	6

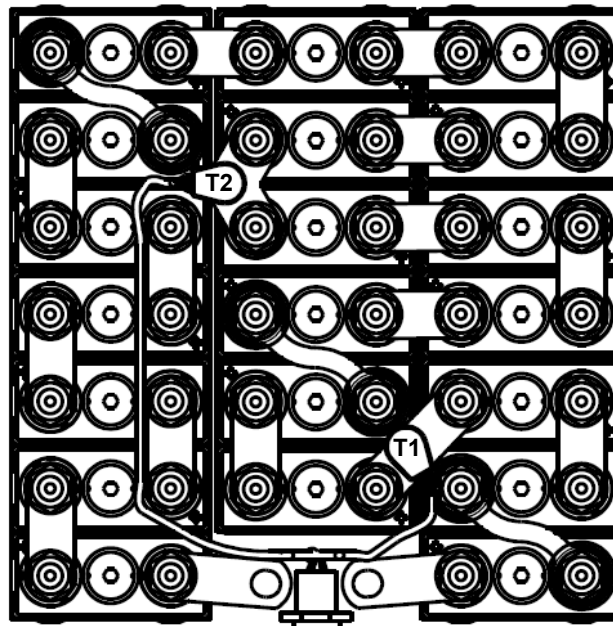
Spacer Kit (310) Installation
Figure 7001



Cell Number and Polarity
Figure 7002

6. Complete battery

- A. Install intercell terminal links ([220](#)), ([230](#)), ([240](#)), ([250](#)), ([260](#) or [270](#)) on the terminals of the cell sub-assemblies ([120](#) or [120A](#)) in [Figure 7002](#). Reference [Figure 7003](#) for applicable wire routing.



Sensor Harness Routing
Figure 7003



COMPONENT MAINTENANCE MANUAL

40176-4 / 40176-7

- B. Install the washers ([110](#) or [110A](#)), ([134](#) or [134A](#)) and upper hex nuts ([100](#)), ([130](#)) onto the terminals of the cell assemblies ([120](#) or [120A](#)) and power connector adapter ([280](#)). Torque nuts per [Table 8001](#).

CAUTION: DO NOT CRIMP OR PINCH WIRE LEAD/LUG ASSEMBLIES OF THE SENSOR HARNESS.

- C. Lightly lube with [M02](#) the nuts, links, connector contact and all components that might be susceptible to atmospheric corrosion.
- D. Install the battery cover ([020](#)) and pad ([030](#)) onto the battery case ([010](#) or [010A](#)), ([012](#) or [012A](#)) and secure in place by fastening the latches.

24-32-03

7005

Jan 27/2022



COMPONENT MAINTENANCE MANUAL
40176-4 / 40176-7

PAGE INTENTIONALLY LEFT BLANK

24-32-03

7006
Jan 27/2022



COMPONENT MAINTENANCE MANUAL
40176-4 / 40176-7

FITS AND CLEARANCES

1. Torque Table

ITEM NUMBER	TORQUE VALUE		NAME, LOCATION
	N-m	lb _f -in	
290	2.3 ± 0.2	20 ± 2	Screw, Sems
100, 130	13.0 ± 1.0	115 ± 9	Nut, Upper
045, 075	1.1 ± 0.1	10 ± 1	Nut, Locking
050, 080	5.6 ± 0.6	50 ± 5	Nut, Connector
140	5.0 ± 0.5	44 ± 4	Nut, Lower

Torque Values
Table 8001

2. Fits and Clearances Table

No fits and clearances required.



COMPONENT MAINTENANCE MANUAL
40176-4 / 40176-7

PAGE INTENTIONALLY LEFT BLANK

24-32-03

8002
Jan 27/2022



COMPONENT MAINTENANCE MANUAL
40176-4 / 40176-7

SPECIAL TOOLS, FIXTURES, EQUIPMENT, AND CONSUMABLES

1. Special Tools

A. Battery maintenance kit

NOTE: Equivalent tools can be used.

NOTE: A special tool kit (P/N 416161) is available from Saft containing special tools T01, T02, T03, and T04 housed in a polypropylene box.

- (1) [T02](#) (P/N 416231) is assembled using syringe P/N 105112 and nozzle P/N 016544. [T02](#) (P/N 020915-004) is assembled using syringe P/N 018327-000 and nozzle P/N 017536-004.

ITEM	DESCRIPTION	09052 P/N	F6177 P/N
T01	Universal vent wrench	093365-000	413876
T02	Syringe assembly (with nozzle 20 mm (0.79 in))	020915-004	416231
T03	1 Ω 3 W equalizing resistors	-	164829
T04	Universal cell extraction tool	-	416159
	M10x1.25 tool	017556-000	-
T05	Vent Valve adapter for M8 valves	025098-000	-

Special Tools
Table 9001

2. Equipment

NOTE: Equivalent equipment may be used

EQUIPMENT	MINIMUM EQUIPMENT SPECIFICATION		SOURCE OR CAGE CODE	REPRESENTATIVE TYPE (MFG MODEL/CAGE)
	CHAR.	RANGE, ACCURACY, TOLERANCE		
Constant current charger	-	0 to 60A DC 40V DC Minimum	Commercially Available	Sorenson Power (Supply DCR-40-70B)
Constant current source with load bank	-	0 to 60A DC 1 to 40V DC	Commercially Available	Sorenson Power (Supply DCR-40-70B) with Ohmite (L225J5ROE)
Megohmmeter	-	0 to 50 M Ω @ 250 V continuous	Commercially Available	Fluke (1507)
Digital multimeter	-	2000 count, accuracy 1% or better	Commercially Available	Fluke (179)
Climatic chamber	-	+15°C to +80°C (+59°F to +176°F)	Commercially Available	Cincinnati Sub-Zero (MCB-1.2-.33-H/AC)
Torque wrench	Insulated	0 to 15 N-m (0 to 133 lb _f -in)	Commercially Available	McMaster-Carr (7936A12)

Equipment
Table 9002

24-32-03

9001
Sep 6/2022



COMPONENT MAINTENANCE MANUAL
40176-4 / 40176-7

3. Consumables

This paragraph describes the consumables used in the CMM.

NOTE: Equivalent alternatives can be used for list items.

ITEM	DESIGNATION PART NUMBER AND SPECIFICATION DESCRIPTION	MANUFACTURER OR SUPPLIER (NAME, ADDRESS, CODE)
M01	Distilled or deionized water @ +20°C ± 5°C (+68°F ± 9°F): Clear, colorless, and odorless while boiling Conductivity < 33 µS/cm 5 < pH < 7 Mn-COD < 30 mg/l (1.7 x 10 ⁻⁵ oz/in ³) (Chemical Oxygen Demand, methodology to evaluate organic or mineral pollution) Chlorines Cl ⁻ < 5 mg/l (2.9 x 10 ⁻⁶ oz/in ³) Sulfates SO ₄ ²⁻ < 10 mg/l (5.8 x 10 ⁻⁶ oz/in ³) STORAGE: dry and clean container without any corrosion and damage; Temperature: +20°C ± 5°C (+68°F ± 9°F). Over 1 year of storage, do an analysis of the liquid.	Local Vendor
M02	Neutral petroleum jelly Density @ +60°C (+140°F) Range = 0.840 to 0.866 kg/l (0.486 to 0.501 oz/in ³) Melting Point Range = 46°C to 52°C (+115°F to +126°F) Acidity/Alkalinity = Neutral to Litmus	Mineral Vaseline NATO: S 743 F: AIR 3565 US: VV-P-236A UK: DEF 2333
M03	Mild soap	Local Vendor

Consumables
Table 9003

24-32-03

9002
Aug 15/2022



COMPONENT MAINTENANCE MANUAL
40176-4 / 40176-7

ILLUSTRATED PARTS LIST

1. Introduction

A. Purpose

This section provides illustrations and parts breakdown of the 40176-4 / 40176-7 batteries, which can be disassembled, replaced, and reassembled.

B. Explanation and usage of section

(1) Assembly order indenture system

The Indenture System used in the parts list shows the relationship of one part to another. For a given item, the number of indentures depicts the relationship of the item to the associated next higher assembly.

(2) Effectively code

Reference letters (A, B, C, etc.) are assigned in the EFF CODE column to each top assembly. The reference letter of the applicable top assembly is also shown in the EFF CODE column for each detail part and subassembly except that no reference letter is shown for detail parts and subassemblies used on all top assemblies.

(3) Quantity per assembly

The UNITS PER ASSY column shows the total number of units required per assembly, per subassembly, and per sub-subassembly as applicable. The letters REF indicates the item is listed for reference purposes.

(4) Parts replacement data

Interchangeability information will be provided in a future manual revision if it becomes applicable.

(5) Service Bulletin incorporation

Service Bulletin incorporation information applicable to the parts list will be provided in a future manual revision if it becomes applicable.

(6) Items not illustrated

Items not illustrated are indicated by a dash (-) ahead of the item numbers in the Figure and Index column.

(7) Alpha variant item numbers

(a) Alpha variants A - Z (except I and O) are assigned to existing item numbers when necessary to show:

1. Added items

2. Service Bulletin modifications

3. Configuration differences

4. Optional parts

5. Product improvement parts (non-service bulletin)

24-32-03

10001
Dec 15/2021



COMPONENT MAINTENANCE MANUAL

40176-4 / 40176-7

- (b) Alpha variant item numbers are not shown on the exploded view when the appearance and location of the alpha variant item is the same as the basic item.

(8) Vendors

The vendor of all parts shown in the parts list is as follows:

CAGE Code	NAME / ADDRESS	CAGE Code	NAME / ADDRESS
09052	Saft America Inc. 711 Gil Harbin Industrial Boulevard Valdosta, GA 31601 USA Phone: +1 (229) 247-2331 Fax: +1 (229) 247-8486	F6177	Saft 126 quai Charles Pasqua 92300 Levallois-Perret France Phone: +33 1 58 63 16 00 Fax: +33 1 58 63 16 18

24-32-03

10002
Sep 6/2022



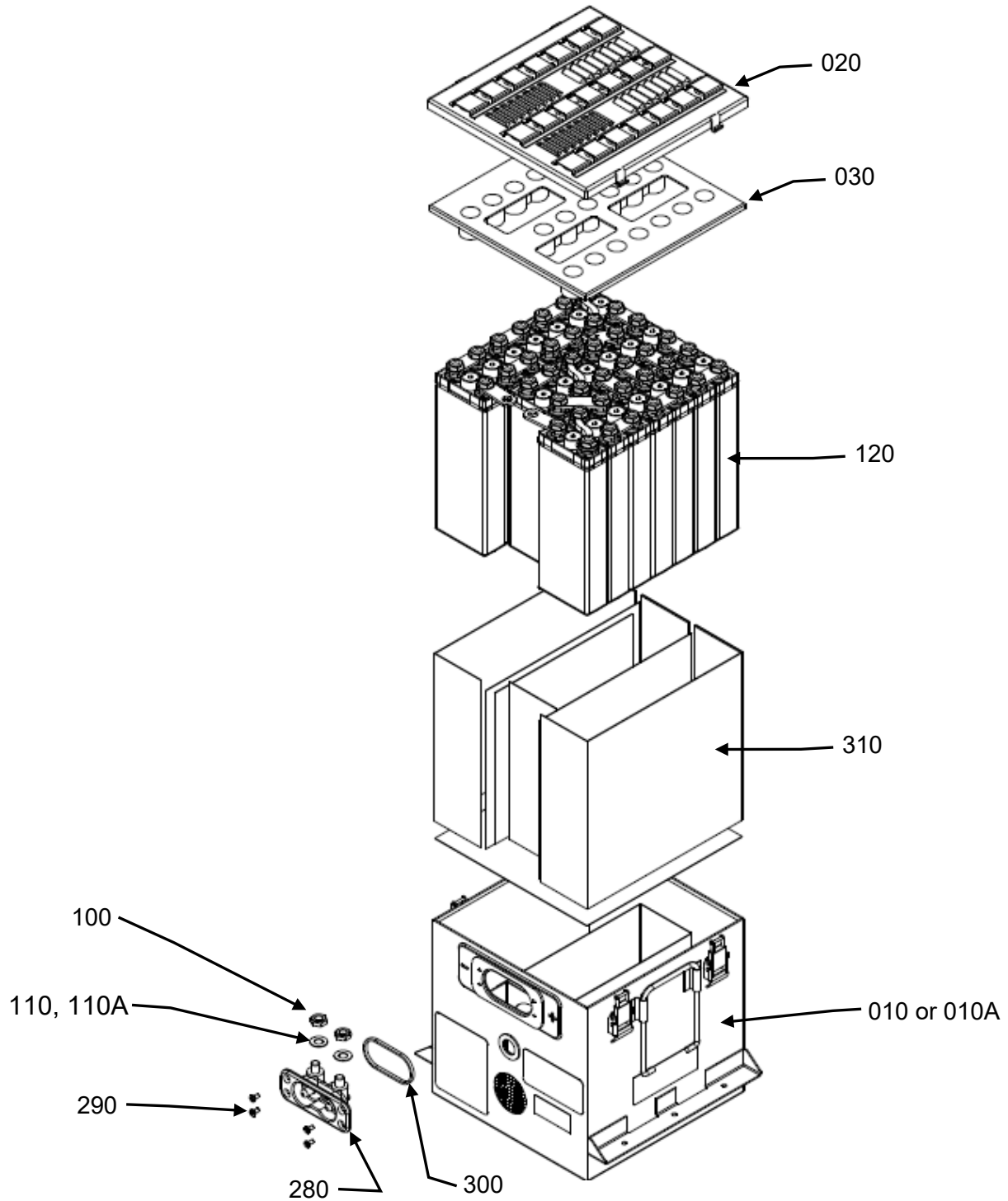
COMPONENT MAINTENANCE MANUAL
40176-4 / 40176-7

2. Numeric Index

PART NUMBER 09052	AIRLINE STOCK NUMBER	FIGURE NUMBER	ITEM NUMBER	UNIT	UNITS PER ASSY
MS21083C06 (09052 093169-000)			045, 075	EA	2
MS3186A107W			050, 080	EA	1
M25988-3-019			060, 090	EA	1
009384-000			300	EA	1
015575-000			230	EA	13
015576-000			240	EA	3
015577-000			220	EA	2
015578-000			260	EA	1
015579-000			100, 130, 140	EA	82
015602-000			120	EA	20
015920-000		1	1	EA	RF
015924-003			020	EA	1
015926-000			250	EA	1
015945-000			030	EA	1
015949-000			040	EA	1
015957-000			200	EA	20
016392-000		1	1A	EA	RF
016420-000			070	EA	1
016423-000			270	EA	1
019736-000			310	EA	1
021751-000			010	EA	1
021752-000			010A	EA	1
021870-000			180	EA	40
021871-000			170	EA	80
022078-000			280	EA	1
022228-000			110, 134	EA	42
023388-001			160	EA	20
023388-002			150	EA	20
091180-008			210	EA	20
091181-002			190	EA	40
093616-000			290	EA	4

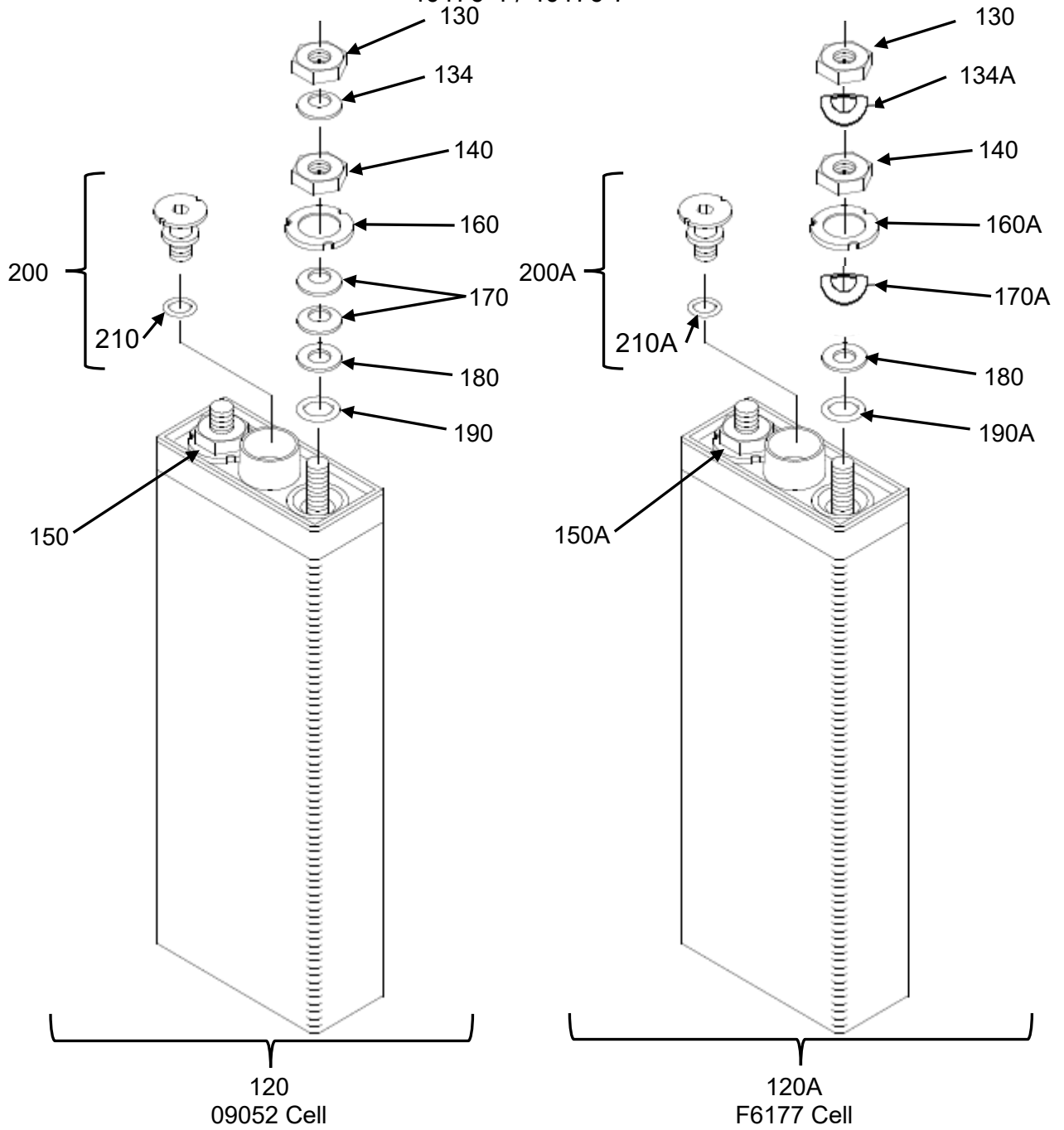
24-32-03

10003
Sep 6/2022



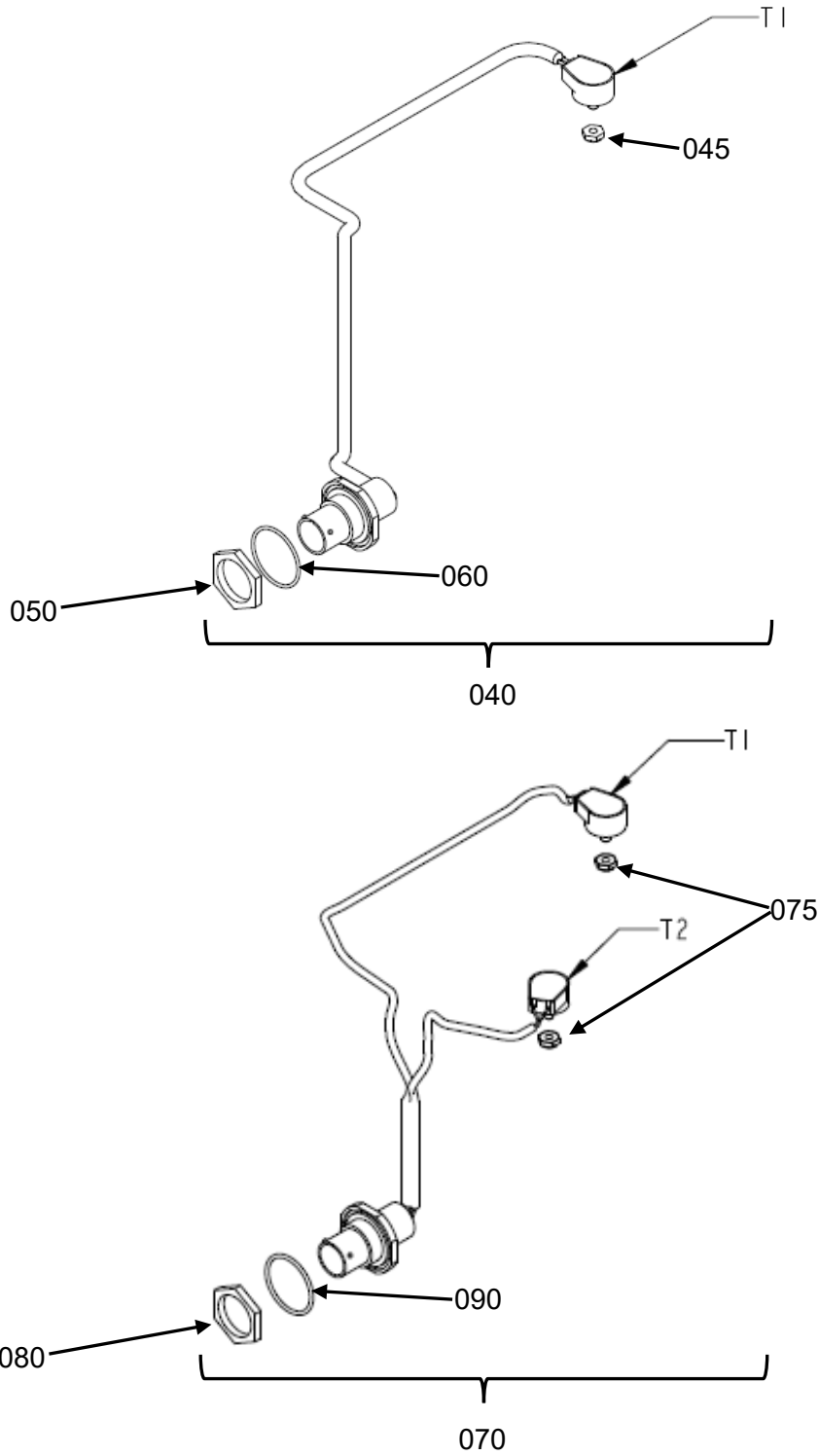
Battery, Exploded View
IPL Figure 1 (Sheet 1 of 4)

COMPONENT MAINTENANCE MANUAL 40176-4 / 40176-7

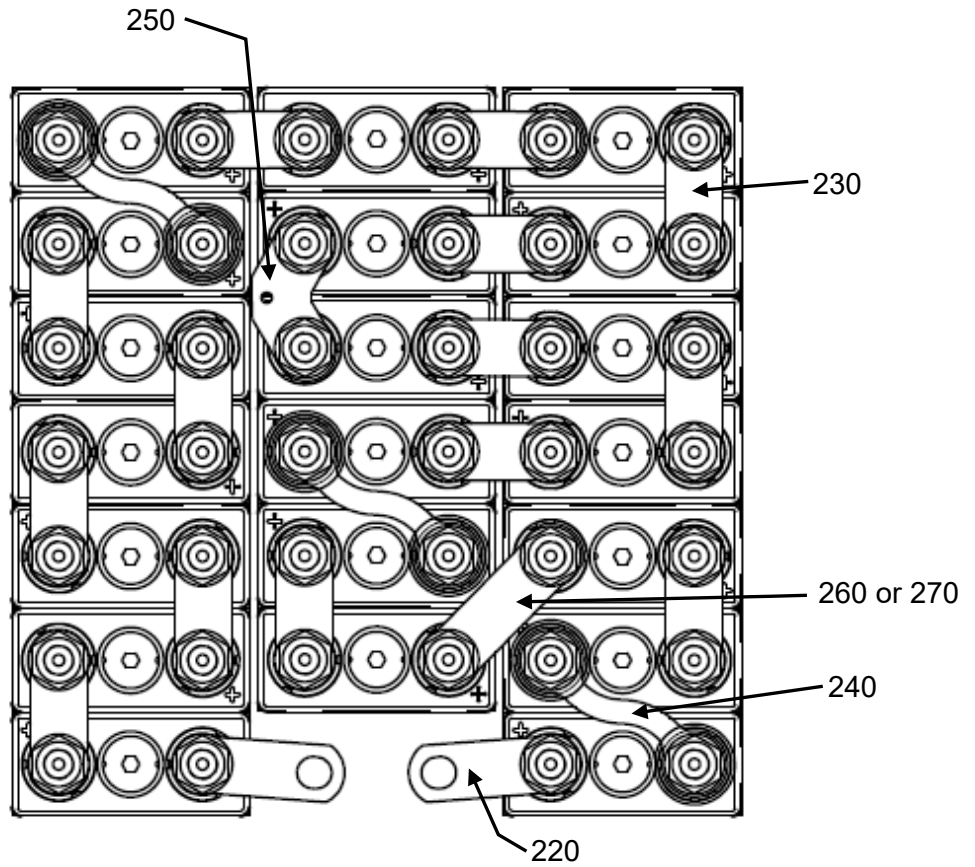


Battery, Exploded View
IPL Figure 1 (Sheet 2 of 4)

COMPONENT MAINTENANCE MANUAL 40176-4 / 40176-7



Battery, Exploded View
IPL Figure 1 (Sheet 3 of 4)



Battery, Top View

Battery, Exploded View
IPL Figure 1 (Sheet 4 of 4)



COMPONENT MAINTENANCE MANUAL
40176-4 / 40176-7

3. Detail Parts List

FIGURE & ITEM	PART NUMBER		AIRLINE PART NO.	NOMENCLATURE 1234567	EFF CODE	UNITS PER ASSY
	09052	F6177				
1	015920-000	-		BATTERY, (09052) Battery Model 40176-4	A	RF
-1A	016392-000	-		BATTERY, (09052) Battery Model 40176-7	B	RF
-1B		116944		BATTERY, (F6177) Battery Model 40176-4 SUPERSEDED BY ITEM 1	C	RF
-1C		117481		BATTERY, (F6177) Battery Model 40176-7 SUPERSEDED BY ITEM 1A	D	RF
010	021751-000	-		. Case, Marked, 40176-4	A	1
-010A	021752-000	-		. Case, Marked, 40176-7	B	1
-012	-	116997		. Case, Marked, 40176-4 SUPERSEDED BY ITEM 010	C	1
-012A	-	119083		. Case, Marked, 40176-7 SUPERSEDED BY ITEM 010A	D	1
020	015924-003	116996		. Cover		1
030	015945-000	114880		. Pad, Holddown		1
040	015949-000	116312		. Sensor, Harness	A, C	1
				Attaching Parts		
045	MS21083C06	-		. Nut, Thermostat (09052 093169-000) (F6177 105405)	A, C	1
050	MS3186A107W	-		. Nut, Sensor Connector (F6177 112965)	A, C	1
				* * *		
060	M25988-3-019	-		. . O-Ring, Sensor M25988/3-019 (F6177 112967)	A, C	1
070	016420-000	116109		. Sensor, Harness	B, D	1
				Attaching Parts		
075	MS21083C06	-		. Nut, Thermostat (09052 093169-000) (F6177 105405)	B, D	2
080	MS3186A107W	-		. Nut, Sensor Connector (F6177 112965)	B, D	1
				* * *		
090	M25988-3-019	-		. . O-Ring, Sensor M25988/3-019 (F6177 112967)	B, D	1
100	015579-000	062007		. Nut, Hex, Power Connector		2
110	022228-000	-		. Washer, Belleville		2
110A	-	100094		. Washer, Spring (OPT TO ITEM 110)		2

DASH (-) ITEM NOT ILLUSTRATED

24-32-03

10008
Sep 6/2022



COMPONENT MAINTENANCE MANUAL
40176-4 / 40176-7

FIGURE & ITEM	PART NUMBER		AIRLINE PART NO.	NOMENCLATURE 1234567	EFF CODE	UNITS PER ASSY
	09052	F6177				
120	015602-000			. Cell, VP400KH w/hardware		20
120A	-	063412		. Cell, VP400KH w/hardware (OPT TO ITEM 120)		20
130	015579-000	062007		. . Nut, Hex, Upper		2
134	022228-000	-		. . Washer, Belleville		2
134A	-	100094		. . Washer, Spring (OPT TO ITEM 134)		2
140	015579-000	062007		. . Nut, Hex, Lower		2
150	023388-002	-		. . Washer, Negative Polarity		1
150A	-	100693		. . Washer, Negative Polarity (OPT TO ITEM 150)		1
160	023388-001	-		. . Washer, Positive Polarity		1
160A	-	100694		. . Washer, Positive Polarity (OPT TO ITEM 160)		1
170	021871-000			. . Washer, Belleville		4
170A	-	100094		. . Washer, Spring (ALT TO ITEM 170)		2
180	021870-000	100078		. . Washer, Flat		2
190	091181-002			. . O-Ring, Terminal		2
190A	-	100594		. . O-Ring, Terminal (OPT TO ITEM 190)		2
200	015957-000			. . Valve, Vent		1
200A	-	080004		. . Valve, Vent (ALT TO ITEM 200)		1
210	091180-008			. . . O-Ring, Vent-Valve		1
210A	-	100593		. . . O-Ring, Vent-Valve (ALT TO ITEM 210)		1
220	015577-000	015539		. Link		2
230	015575-000	012374		. Link		14
240	015576-000	057014		. Link		3
250	015926-000	114767		. Link		1
260	015578-000	015266		. Link	A, C	1
-270	016423-000	116112		. Link	B, D	1
280	022078-000	102227		. Connector, Power		1
				Attaching Parts		
290	093616-000			. Screw, Sems, 8x32	A, B	4
-292	-	100431		. Screw M4x10 (Must be used with ITEM 294)	C, D	4
-294	-	100430		. Washer (Must be used with ITEM 292)	C, D	4
				* * *		
300	009384-000	NP		. Gasket, Power Connector		1
310	019736-000	412240		. Kit, Spacer		1

DASH (-) ITEM NOT ILLUSTRATED

24-32-03

10009
Sep 6/2022



COMPONENT MAINTENANCE MANUAL
40176-4 / 40176-7

PAGE INTENTIONALLY LEFT BLANK

24-32-03

10010
Jan 27/2022



COMPONENT MAINTENANCE MANUAL
40176-4 / 40176-7

STORAGE (INCLUDING TRANSPORTATION)

1. Introduction

- A. Storage preparation and packaging makes sure that the equipment is protected against any attack by atmospheric agents.
- B. For a battery which has been cleaned and serviced and is not directly put into service on board an aircraft, different methods can be recommended depending on the purpose and the environment conditions of the "storage".
- C. Keep the batteries and spares in a dry and clean room.

2. Inactive Long-Term Storage

A. Procedure

(1) The following must be done to any battery with previously in service.

(a) [Charge](#), [Electrolyte level](#), [Vent valve test](#), and [Capacity test](#).

NOTE: It is not necessary that it be short circuited. There is no need of maintenance operation during the storage period.

NOTE: The standard cardboard packaging is considered unsealed and allows 2 years of storage. Storage is allowed for 10 years if the following conditions are met: sealed packaging and isolated from harmful agents (i.e.: dirt, dust, vibrations, or corrosive atmosphere).

- sealed packaging,
- temperature: +5°C to +35°C (+41°F to +95°F),
- humidity < 90 %,
- normal vertical position,
- Isolated from detrimental agents: i.e., dirt, dust, dampness, vibration, corrosive atmosphere.

(2) Saft Ni-Cd batteries may be stored in temperatures ranging from -55°C to +5°C (-67°F to +41°F) or +35°C to +60°C (+95°F to +140°F) for an accumulated exposure that does not exceed 30 days.

(3) Lead batteries must not be stored in the same room.

B. Servicing at end of long-term storage

STORAGE TIME	SERVICE PROCEDURE
Less than or equal to 12 months	Do Visual inspection and return to Figure 1002 entry point " C "
More than 12 months	Do Charge and return to Figure 1002 entry point " Regular Check "

Table 15001 Return to Service Following Storage

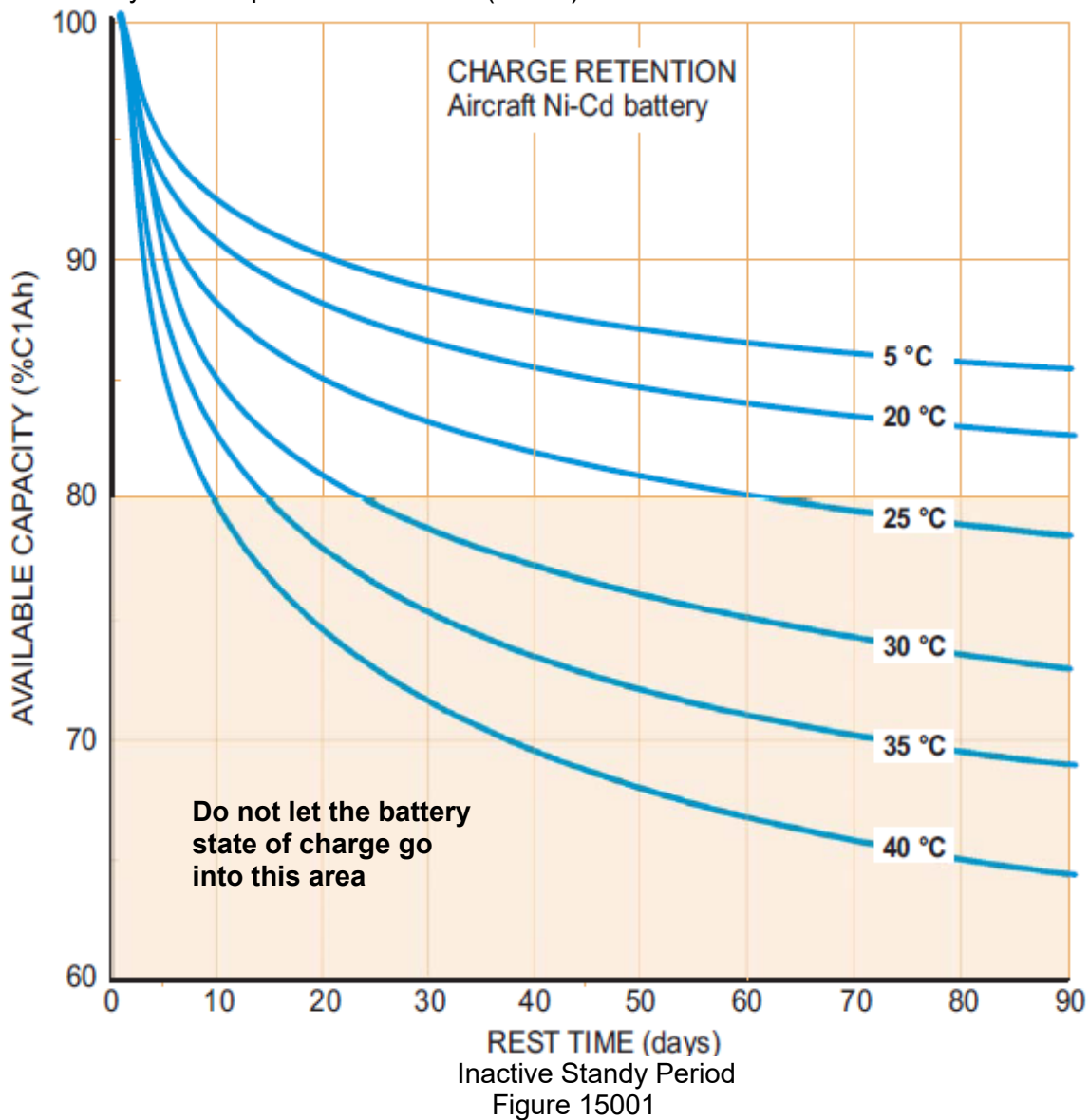
3. Inactive Standby Storage

The battery is charged after being serviced then stored fully charged in a dedicated room in such a way that it can be installed in the aircraft without further maintenance except as provided within this section. Refer to [Figure 15002](#).

NOTE: At any time during the Inactive standby storage shown in [Figure 15002](#), the battery may be installed on the aircraft or placed into [Inactive Long-Term Storage](#).

NOTE: For a battery previously stored at a temperature below ambient temperature, condensation within the battery may occur, do [Battery insulation](#) before installation.

- A. Standby period is the duration that corresponds to 80% available capacity shown in [Figure 15001](#). For example, maximum of 24 days at +30°C (+86°F) or maximum of 90 days for temperatures ≤ +23°C (+73°F).





COMPONENT MAINTENANCE MANUAL
40176-4 / 40176-7

B. Refresh charge is a quick constant current charge that can be done at the end of a [Standby period](#) to extend the time the battery is in inactive standby storage. The charge is given in [Table 15002](#).

CAUTION: DO NOT DO THE 4 HOURS FINAL CHARGE AT 0.1 C₁A (REFER TO [CHARGE](#)) DURING THIS 'REFRESH' CHARGE OPERATION.

CHARGE RATE	VOLTAGE (END OF "REFRESH" CHARGE)
0.1C ₁ A	30.0V for 20 Cells
0.5C ₁ A	31.0V for 20 Cells
1.0C ₁ A	31.4V for 20 Cells

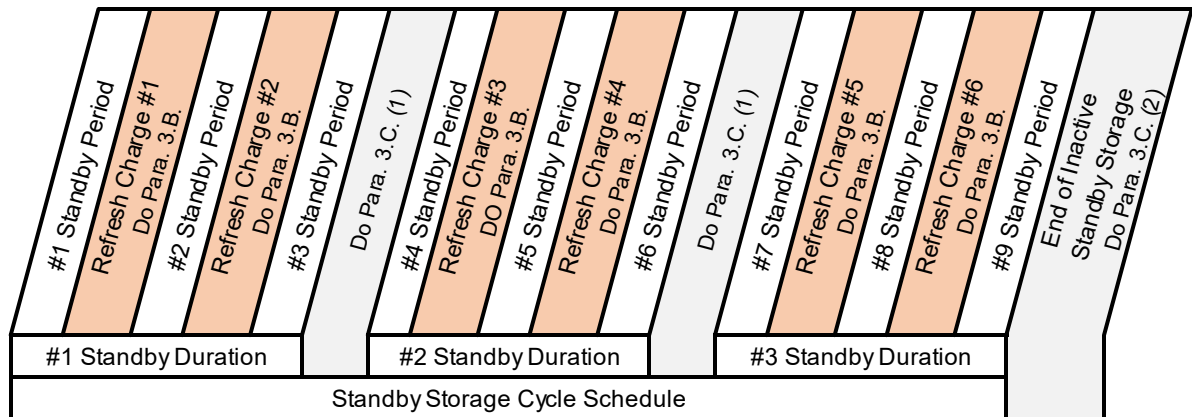
Table 15002 Refresh Charge

C. Standby duration consists of a maximum of 3 standby periods with 2 refresh charges in-between each standby period. The number of consecutive standby durations is limited to 3. Refer to [Figure 15002](#).

- (1) For a battery completing the first or second standby duration and not immediately installed in the aircraft or sent into long-term storage, do one the following below:
 - (a) For environments ≤ +30°C (+86°F) do [Battery insulation](#), [Initial discharge](#), [Charge](#), [Electrolyte level](#), and [Battery insulation](#).
 - (b) For environments > +30°C (+86°F) do [Battery insulation](#), [Initial discharge](#), [Cell shorting](#), [Charge](#), [Electrolyte level](#), and [Battery insulation](#).
- (2) For a battery completing the third consecutive standby duration, the battery can go into long-term storage (refer to [Inactive Long-Term Storage](#)) or return to [Figure 1002](#).

D. Inactive standby storage schedule is limited to the [Standby duration](#) being conducted a maximum of 3 times as shown in [Figure 15002](#).

NOTE: At any time during the Inactive standby storage schedule shown in [Figure 15002](#), the battery may be installed on the aircraft or placed into [Inactive Long-Term Storage](#).





COMPONENT MAINTENANCE MANUAL

40176-4 / 40176-7

Figure 15002

4. Active Standby Mode (Trickle Charge)

CAUTION: WATER CONSUMPTION OCCURS WHEN THE BATTERY IS CONTINUOUSLY CHARGED, IN AN FINAL CHARGE CONDITION. SAFT DOES NOT RECOMMEND THIS METHOD, HOWEVER SOME OPERATORS TAKE RESPONSIBILITY FOR ITS USE.

NOTE: This method is not reliable due to quantity and inaccuracy of water consumption.

Example: A 40 Ah battery on a continuous trickle charge of 3 mA/Ah for one month may consume over 35 cm³/cell (2.14 in³/cell) water total.

5. Transportation Procedure

The battery is normally discharged before packing. If it is necessary to transport a charged battery, make sure that the output terminals are protected against short circuit.

The battery should then be packed vertically in its original container. If the original container is not available, the international and/or local packaging regulations applicable to the mode of transport and destination must be followed.

According to the IATA / IMDG dangerous goods regulations, Saft ships all existing nickel-cadmium batteries or cells for aircraft under the classification UN2795 (wet, filled with alkali).

24-32-03

15004

Sep 6/2022