

AFFECTED COMPONENT APPLICABILITY TO AIRCRAFT SERIAL NUMBER.

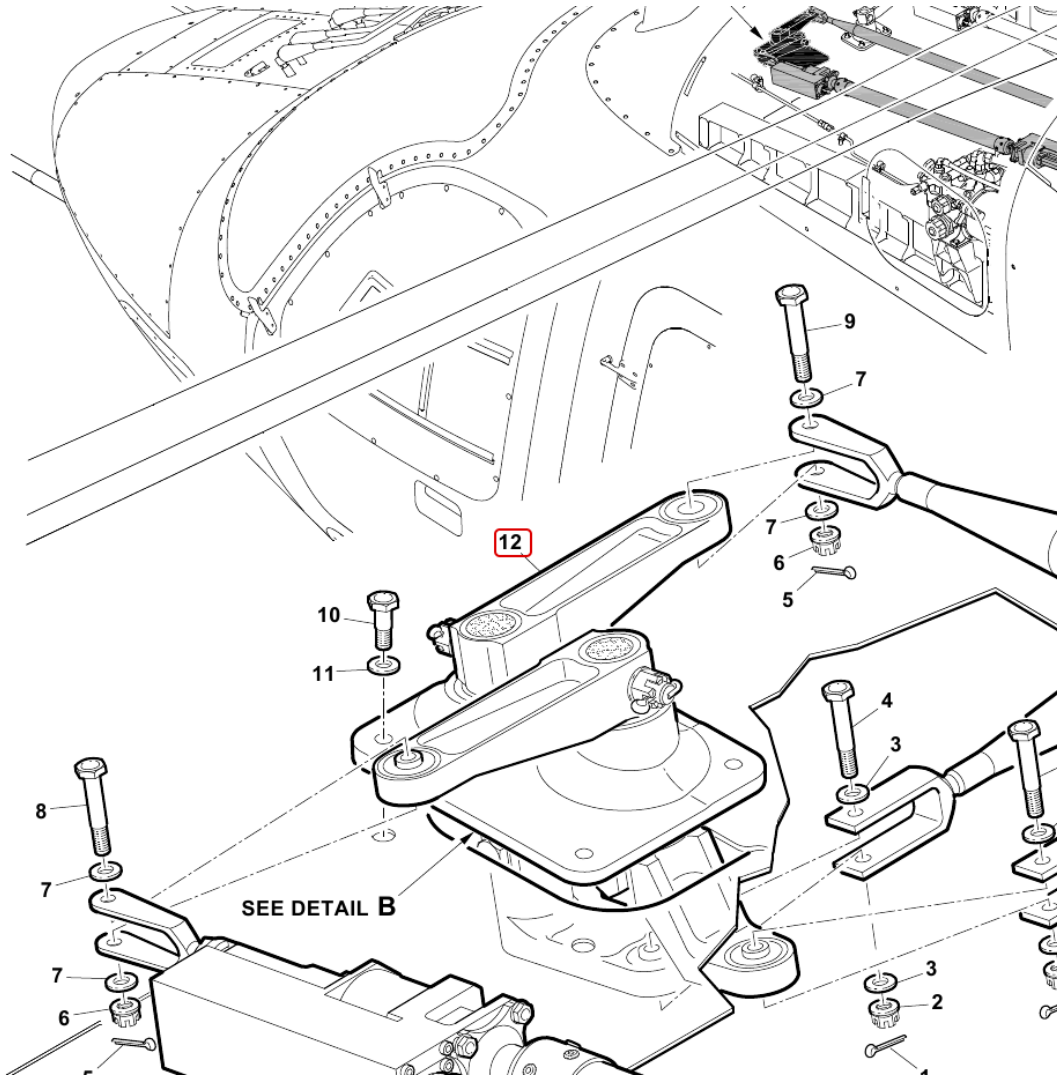


Figure 67-24: Bellcrank Installation, Collective and Cyclic Lateral

Item	Part Number	Nomenclature	UPA	Avail.	UOC
	429-001-001-101	CONTROLS INSTL, MAIN ROTOR, COCKPIT (SEE FIG. 67-1, 67-2, 67-3, 67-6, 67-9, 67-11, 67-12, 67-21, 67-22, 67-25, CHAPTER 76 FOR BALANCE OF BREAKDOWN)	REF	NP	
1	MS24665-151	▶ PIN	2	SP	
2	90-100C4	▶ NUT	2	SP	
3	NAS1149C0463R	▶ WASHER, FLAT	4	SP	
4	NAS6704DU17	▶ BOLT	2	SP	
	429-001-005-101	CONTROLS AND HYDRAULIC INSTL, CYCLIC AND COLLECTIVE (ROOF) (S/N 57001 THRU 57080) (SEE FIG. 67-1, 67-7, 67-9, 67-18, 67-19, 67-25, 67-26, CHAPTER 29 FOR BALANCE OF BREAKDOWN)	REF	NP	
	429-001-005-113	CONTROLS AND HYDRAULIC INSTL, CYCLIC AND COLLECTIVE (ROOF) (S/N 57081 THRU sub) (SEE FIG. 67-1, 67-7, 67-9, 67-18, 67-19, 67-25, 67-26, CHAPTER 29 FOR BALANCE OF BREAKDOWN)	REF	NP	
5	MS24665-151	▶ PIN	REF	SP	
6	90-100C4	▶ NUT	REF	SP	
7	NAS1149C0463R	▶ WASHER, FLAT	REF	SP	
8	NAS6704DU16	▶ BOLT	REF	SP	
9	NAS6704DU17	▶ BOLT	REF	SP	
10	NAS6604-10	▶ BOLT (S/N 57001 THRU 57080)	4	SP	
10	NAS6604-8	▶ BOLT (S/N 57081 THRU sub)	4	SP	
11	NAS1149D0432J	▶ WASHER, FLAT	4	SP	
12	429-001-523-101	▶ BELLCRANK ASSY, LATERAL AND COLLECTIVE, ROOF (S/N 57001 THRU 57080) (REPLACED BY 429-001-523-103)	1	P	
12	429-001-523-103	▶ BELLCRANK ASSY, LATERAL AND COLLECTIVE, ROOF (S/N 57081 THRU sub) (REPLACES 429-001-523-101)	1	P	
13	MS24665-302	▶ PIN, COTTER	1	SP	
14	MS21225-6	▶ NUT (REPLACED BY MS17825-6)	1	P	
14	MS17825-6	▶ NUT (REPLACES MS21225-6) (REPLACED BY MS14144L6)	1	P	
14	MS14144L6	▶ NUT (REPLACES MS17825-6)	1	SP	