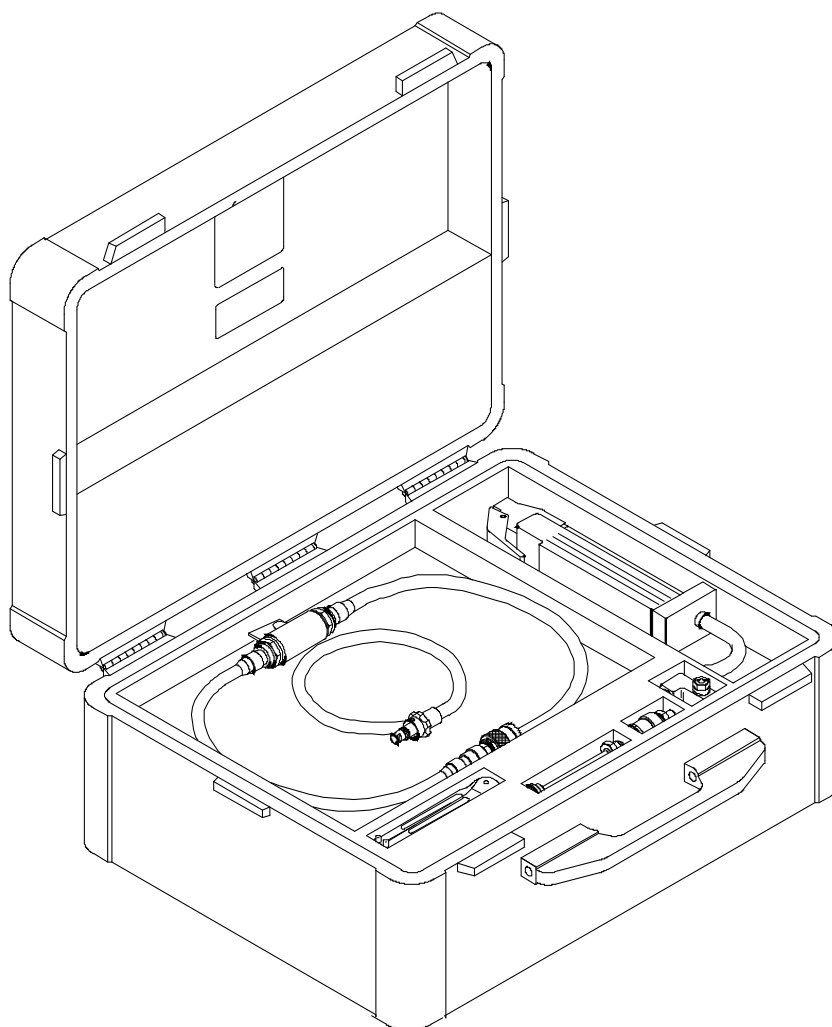


# GSE & TOOL MANUAL

**TITLE**

**ADAPTERS KIT, HELICOPTER SERVICING**  
**P/N 3G1200G00132**



	<b>GSE &amp; TOOL USE AND MAINTENANCE MANUAL</b>	Manual number: <b>MAN-3G1200G00132</b> <b>REV. A</b>
		Pag. 2 of 21

## REVISION HISTORY

REV	CHANGE DESCRIPTION	DATE
A	First issue	07/09/2022

## SUMMARY

SUMMARY .....	3
LIST OF TABLE .....	4
LIST OF FIGURE .....	4
1. SCOPE .....	5
1.1. APPLICABILITY .....	5
1.2. OBJECT .....	5
1.3. WARNING AND SAFETY INSTRUCTIONS .....	5
2. DOCUMENTS .....	6
2.1. APPLICABLE DOCUMENTS .....	6
2.2. ACRONYMS USED .....	6
3. DESCRIPTION .....	7
4. TOP ASSEMBLY DRAWINGS .....	8
5. IDENTIFICATION .....	8
6. OVERALL DIMENSIONS .....	8
7. WEIGHT .....	8
8. MAIN PARTS .....	9
9. MAIN FEATURES DESCRIPTION .....	10
10. WARNING AND SAFETY NOTES .....	11
10.1. WARNING NOTE .....	11
10.2. SAFETY NOTES .....	12
11. STORAGE .....	13
11.1. LUBRICATION BEFORE STORAGE .....	13
11.2. STORAGE CONFIGURATION .....	13
12. MAINTENANCE .....	13
12.1. CLEANING .....	13
12.1.1. SPECIAL TOOLS, FIXTURE AND EQUIPMENT .....	13
12.1.2. PART REQUIREMENTS .....	13
12.1.3. MANUAL CLEANING .....	13
12.2. CHECKS .....	14
12.2.1. SPECIAL TOOLS, FIXTURE AND EQUIPMENT .....	14
12.2.2. VISUAL EXAMINATION .....	14
12.2.3. PERIODICAL CHECKS .....	15
12.2.4. DIMENSIONAL CHECKS .....	15
12.2.5. SPECIAL CHECKS SUMMARY .....	15
12.3. REPLACEMENT .....	15
12.3.1. REPLACEMENT PROCEDURES .....	15

	<b>GSE &amp; TOOL USE AND MAINTENANCE MANUAL</b>	Manual number: <b>MAN-3G1200G00132</b> <b>REV. A</b>
		Pag. 4 of 21

13.	CALIBRATION .....	15
14.	SHELF LIFE .....	15
15.	SPARE PARTS .....	16
16.	CE MARKING.....	20
	ANNEX A.....	21

### LIST OF TABLE

Table 1 – Warning Instruction .....	5
Table 2 – Applicable Documents.....	6
Table 3 – Warning Note.....	11
Table 4 – Visual Check.....	14
Table 5 – Spare Parts.....	17
Table 6 – Spare Parts.....	18
Table 7 – Spare Parts.....	19
Table 8 – Spare Parts.....	20

### LIST OF FIGURE

<i>Figure 1 – Adapters kit, helicopter servicing .....</i>	<i>7</i>
<i>Figure 2 – LHD Identification tag with P/N .....</i>	<i>8</i>
<i>Figure 3 – Main Parts .....</i>	<i>9</i>
<i>Figure 4 – Safety Notes.....</i>	<i>12</i>
<i>Figure 5 – Spare Parts .....</i>	<i>16</i>
<i>Figure 6 – Spare Parts .....</i>	<i>18</i>
<i>Figure 7 – Spare Parts .....</i>	<i>19</i>
<i>Figure 8 – Spare Parts .....</i>	<i>20</i>

## 1. SCOPE

### 1.1. APPLICABILITY




The contents of this document are meant to provide information on the P/N 3G1200G00132 ADAPTERS KIT, HELICOPTER SERVICING.

### 1.2. OBJECT

The object of this document is to describe the AGE and its components, its main features and it will also provide all needed maintenance requirements to keep in service the P/N 3G1200G00132 ADAPTERS KIT, HELICOPTER SERVICING.

### 1.3. WARNING AND SAFETY INSTRUCTIONS

A number of symbols are used throughout this document to indicate information to which the user should pay attention to. These are indicated below along with the specific meaning.

 <b>Warning</b>	...Indicates a danger that might arise from a product and might result in severe injuries or even death, if no precautions are taken.
 <b>Caution</b>	... Indicates a potentially dangerous situation, which might result injury or damage to the equipment.
 <b>Notice</b>	...Indicates a note providing information to help the reader during the procedure.

*Table 1 – Warning Instruction*

	<b>GSE &amp; TOOL USE AND MAINTENANCE MANUAL</b>	Manual number: <b>MAN-3G1200G00132</b> <b>REV. A</b>
		Pag. 6 of 21

## 2. DOCUMENTS

### 2.1. APPLICABLE DOCUMENTS

The following table lists the applicable documents

REF	REFERENCE OF DOCUMENT	TITLE
N.A.	N.A.	N.A.

*Table 2 – Applicable Documents*

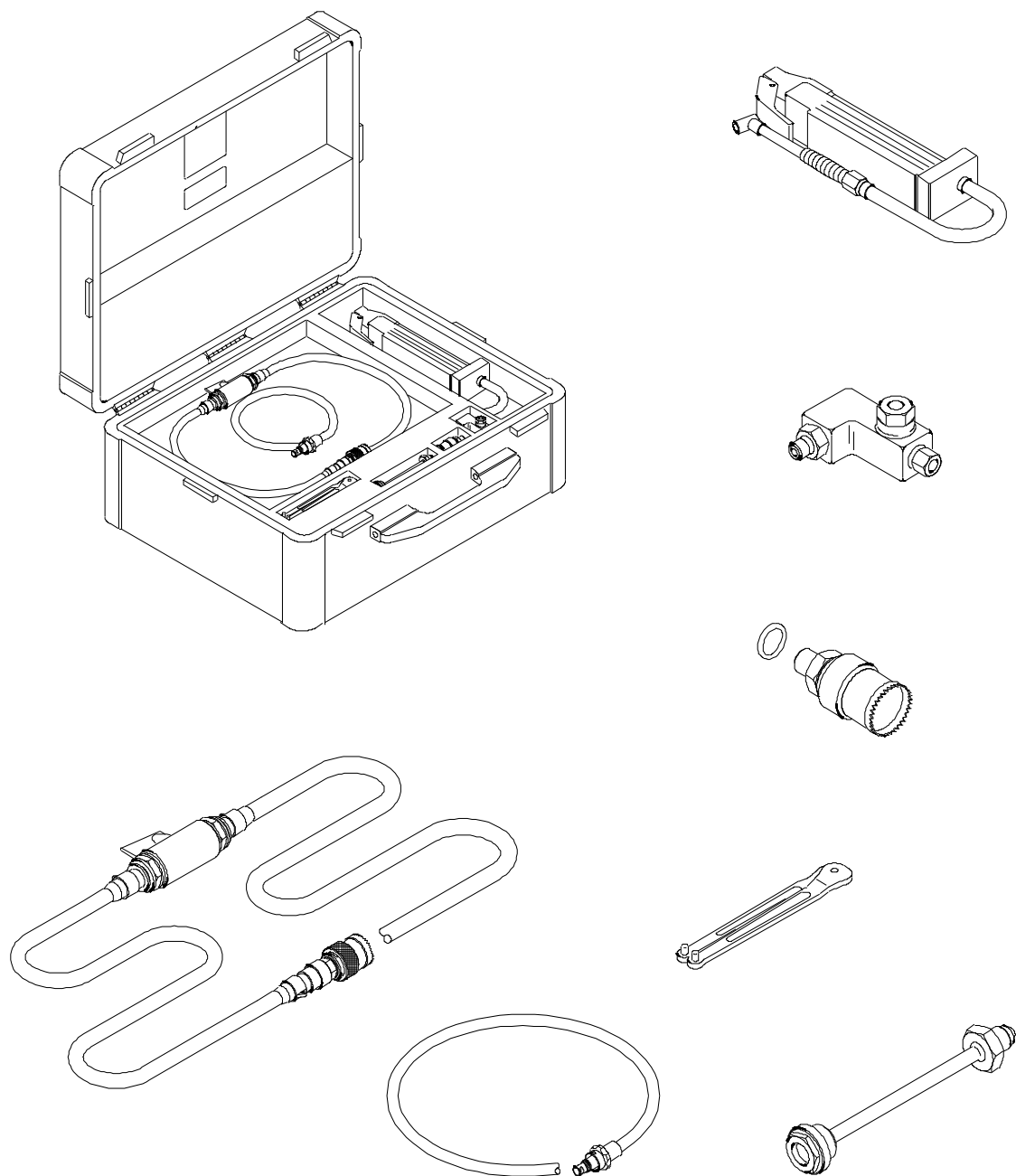
### 2.2. ACRONYMS USED

The main acronyms used in this document are listed below:

LHD	Leonardo Helicopter Division
HC	Helicopter
P/N	Part Number
S/N	Serial Number
N.A.	Not Applicable
IGB	Intermediate Gear Box
M/R	Main Rotor
MGB	Main Gear Box
TGB	Tail Gear Box

### 3. DESCRIPTION

The tool is used to perform all the drain and fill activities on main and tail rotor gear boxes, main and tail rotor hubs, hydraulic power system, main and nose landing gears.



3G1200G00132\_1

Figure 1 – Adapters kit, helicopter servicing

#### 4. TOP ASSEMBLY DRAWINGS

Refer to P/N 3G1200G00132 ADAPTERS KIT, HELICOPTER SERVICING.

#### 5. IDENTIFICATION

The tool identification P/N 3G1200G00132 is marked on the LHD identification tag.

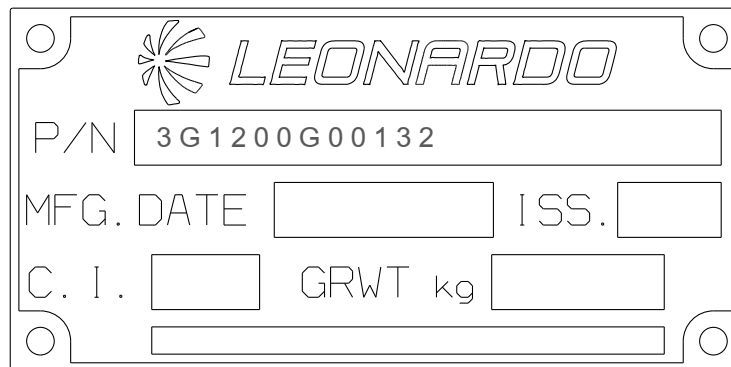


Figure 2 – LHD Identification tag with P/N

#### 6. OVERALL DIMENSIONS

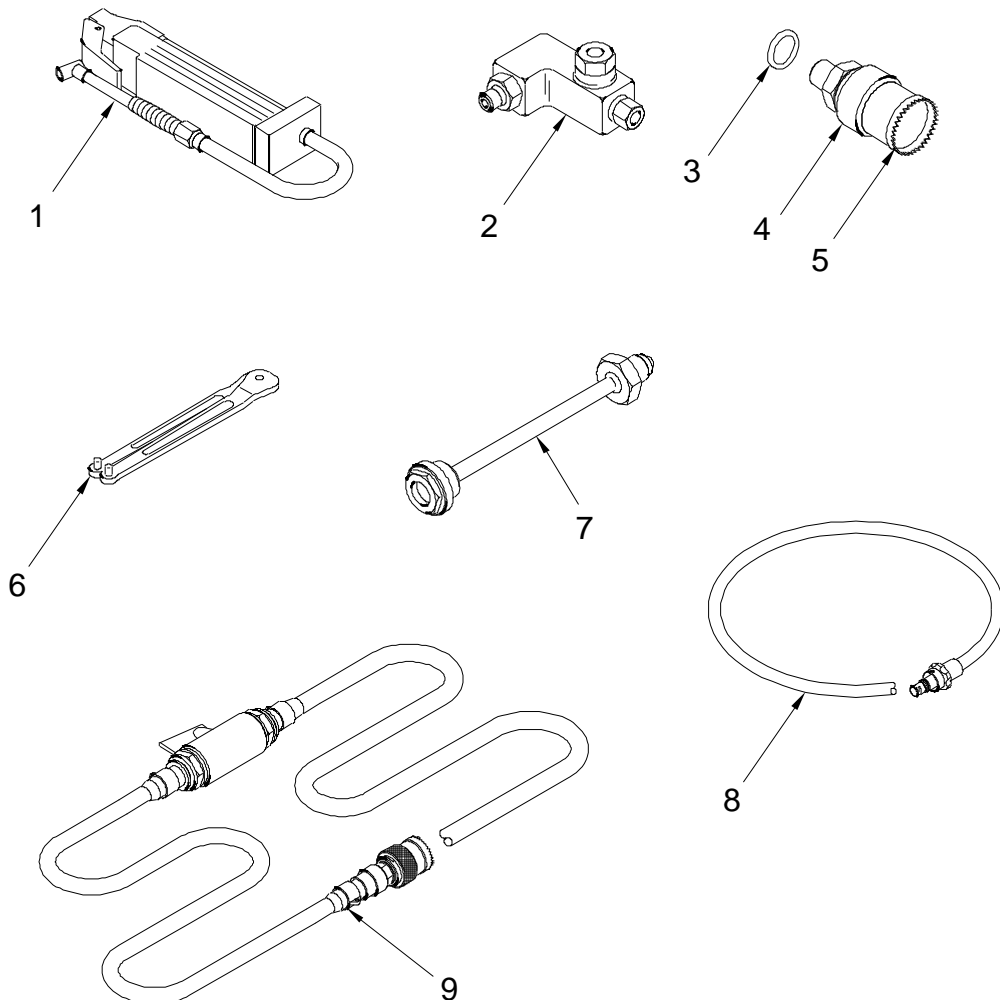
- Length: 616 mm
- Width: 493 mm
- Height: 220 mm

#### 7. WEIGHT

- Total Weight: 8,5 kg



## 8. MAIN PARTS



3G1200G00132\_2

*Figure 3 – Main Parts*

The main parts of the Adapters kit, helicopter servicing are:

1. Nitrogen kit tyre inflator gauge
2. M/R damper oil filling adapter
3. Preformed packing
4. Quick disconnect coupling
5. Plug
6. Wrenches
7. Control tool assy
8. IGB and TGB oil draining hose
9. MGB oil draining hose







	<b>GSE &amp; TOOL USE AND MAINTENANCE MANUAL</b>	Manual number: <b>MAN-3G1200G00132 REV. A</b> <hr/> Pag. 10 of 21
---	--	---

## 9. MAIN FEATURES DESCRIPTION

The kit, supplied in a suitable transportation box, is composed by two oil draining hoses (for MGB and one for TGB and IGB), a quick disconnect coupling with preformed packing and plug, Two wrenches, a control tool assy, a nitrogen kit tyre inflator gauge and a M/R damper oil filling adapter.

## 10. WARNING AND SAFETY NOTES

### 10.1. WARNING NOTE

 <b>Warning</b>	<p>Use this equipment only for the purpose that it is designed for. Any other use can result in injury or serious material damage to the components.</p>
 <b>Caution</b>	
 <b>Notice</b>	<p>The Manual can never integrally replace the adequate competence of the user.</p>
 <b>Warning</b>	<p>Before and after each use of the equipment is necessary to perform the checks required. Do not operate with a tool damaged or partially completed, or partially assembled.</p>
 <b>Caution</b>	
 <b>Notice</b>	<p>This Manual provides guidelines and instructions of the equipment that are in addition to - but are not intended to replace or modify but only to integrate - any general or specific rule, regulation, decree or law that is in force in the place where the equipment is in use.</p>

*Table 3 – Warning Note*

## 10.2. SAFETY NOTES

Remember to wear protective overalls, safety shoes, protective gloves and glasses during all operational and maintenance phases.



Figure 4 – Safety Notes

## 11. STORAGE

The Tool shall be properly stored to provide protection from external weather conditions, damage and dirty particles.

The Kit shall be stored in the dedicated transportation box (part of the Kit).

Ensure that the tool parts are clean before storage.

### 11.1. LUBRICATION BEFORE STORAGE

Apply the Grease (MIL-PRF-23827) on all threaded parts before tool storage.

### 11.2. STORAGE CONFIGURATION

The tool has no particular storage configuration.

## 12. MAINTENANCE

NOTE: Correct regular maintenance allows preventing most faults and safeguards of tool performance in time, thereby making it last longer.

Every year carry out regular maintenance on a regular basis as detailed in this manual.

NOTE: Inspection intervals for tool parts placed inside in ready storage is 12 months.

### 12.1. CLEANING

Before inspection and after each use, carry out the cleaning of the tool components.

#### 12.1.1. SPECIAL TOOLS, FIXTURE AND EQUIPMENT

No special tools, fixture and equipment are required for cleaning.

#### 12.1.2. PART REQUIREMENTS

The parts to clean should be free from the moisture, emulsified water, soaps and metal shavings that can develop of corrosive acids.

They must also be free from wide grease and / or slosh deposits.

#### 12.1.3. MANUAL CLEANING

- A. Clean thoroughly all metal surfaces with a clean lint-free cloth (Local supply) moistened with Cleaning Solvent (MIL-PRF-680C, Type II) to do general spot cleaning of large groups areas. For nylon or Teflon surfaces, the use of a biodegradable, water dilutable cleaning compound (MIL-PRF-87937 D, Type II) is required.
- B. Repeat the cleaning process again by means another clean lint-free cloth (Local supply).
- C. Drying.
  - Verify that the solvent should not be trapped in the cavity. Normally, the solvent evaporates at room temperature in a satisfactory manner.

## 12.2. CHECKS

Before and after each use or at least every year, carry out the check of kit component.

Before each use ensure that the manual is available to the operator, in the event of loss, request a copy to Leonardo Helicopters Division.

The Tool kit shall be submitted to following checks to guarantee the functionality.

All required checks shall be registered on CHECK RECORDS Table. Ref. *TLC\_Table 1*

After each use of tool ensure to have registered the number of uses on HISTORICAL USES RECORD Table. Ref. *TLC\_Table 2*

The Tool Log Card template contained in the Annex A of this manual can be replaced with any other log card template in use in the plant where the equipment is in use.

### 12.2.1. SPECIAL TOOLS, FIXTURE AND EQUIPMENT

No special tools, fixture and equipment are required for the checks.

### 12.2.2. VISUAL EXAMINATION

NOTE: Replace the parts that do not obey the inspection requirements.

Restore the marking of the parts that results damaged or not readable.

All required visual checks are listed on Table 4

PERIODICITY	CHECK TYPE	COMPONENTS	
BEFORE AND AFTER EVERY USE	VISUAL EXAMINATION	Evidence of impact	All
	Crushing or stripping	All	
	Cracks	All	
	Dents	All	
	Wear	All	
	Distortions	All	
	Corrosion	All	
	Loose or defective attaching parts (warning flag)	N.A.	
	Unsticking of parts	Items <a href="#">3</a> , Plate, <a href="#">Figure 5</a> , page 16 Item <a href="#">4</a> , Nameplate, <a href="#">Figure 5</a> , page 16 Item <a href="#">5</a> , Nameplate, <a href="#">Figure 5</a> , page 16	
	Damage to the threads	All	
	Marking	All	
	Damage to the pins and to the shell	N.A.	
Damage to the insulation sleeves and wires	N.A.		

*Table 4 – Visual Check*



## GSE & TOOL USE AND MAINTENANCE MANUAL

Manual number:  
**MAN-3G1200G00132**  
**REV. A**

Pag. 15 of 21

### **12.2.3. PERIODICAL CHECKS**

Not Applicable.

### **12.2.4. DIMENSIONAL CHECKS**

Not Applicable.

### **12.2.5. SPECIAL CHECKS SUMMARY**

Not Applicable.

## **12.3. REPLACEMENT**

All the parts for which it is allowed the components replacement are listed in Paragraph 15.

### **12.3.1. REPLACEMENT PROCEDURES**

The replacement of parts of the kit does not require specific procedures.

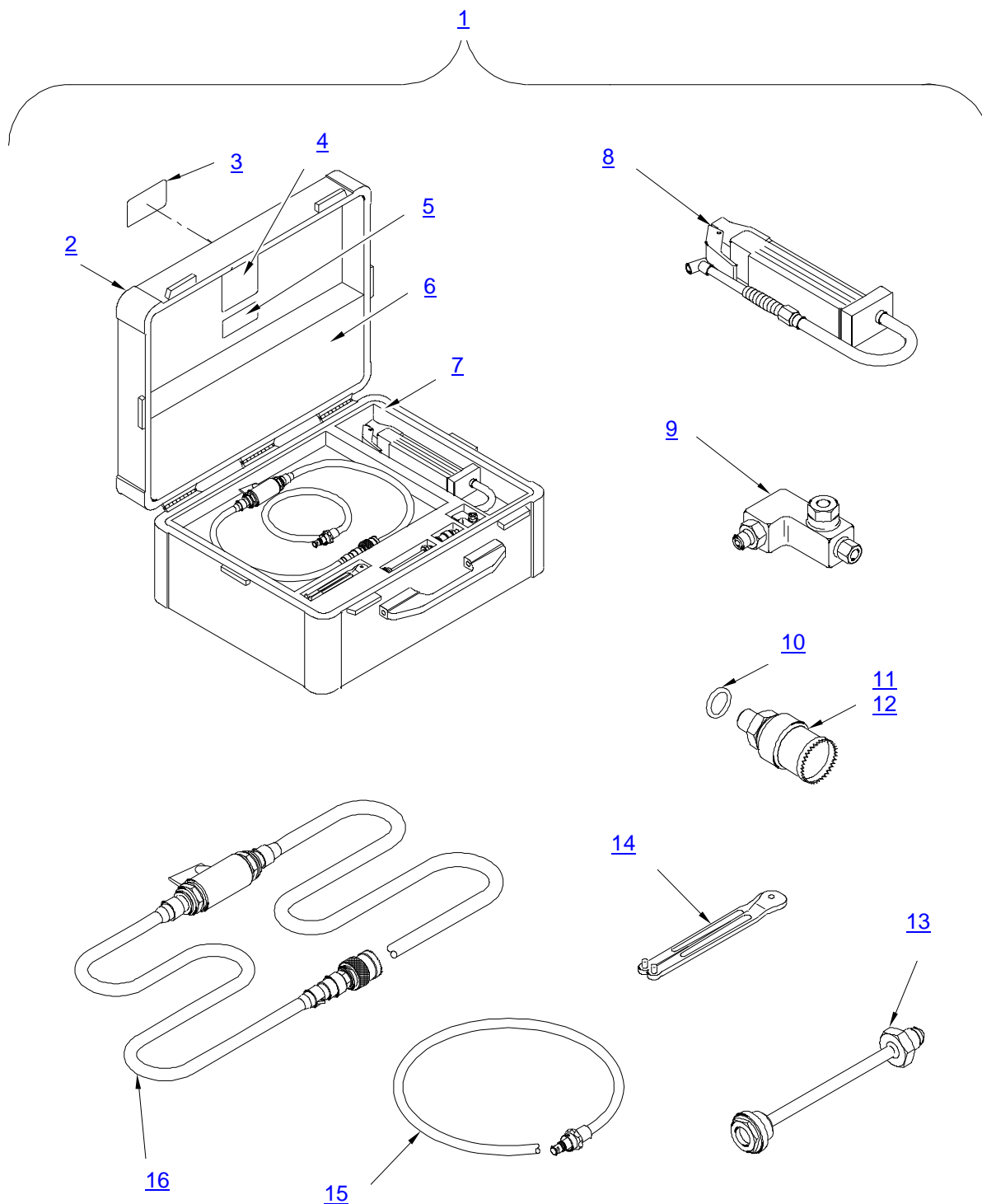
## **13. CALIBRATION**

No Calibration is required.

## **14. SHELF LIFE**

Not Applicable.

**15. SPARE PARTS**



3G1200G00132\_3

Figure 5 – Spare Parts





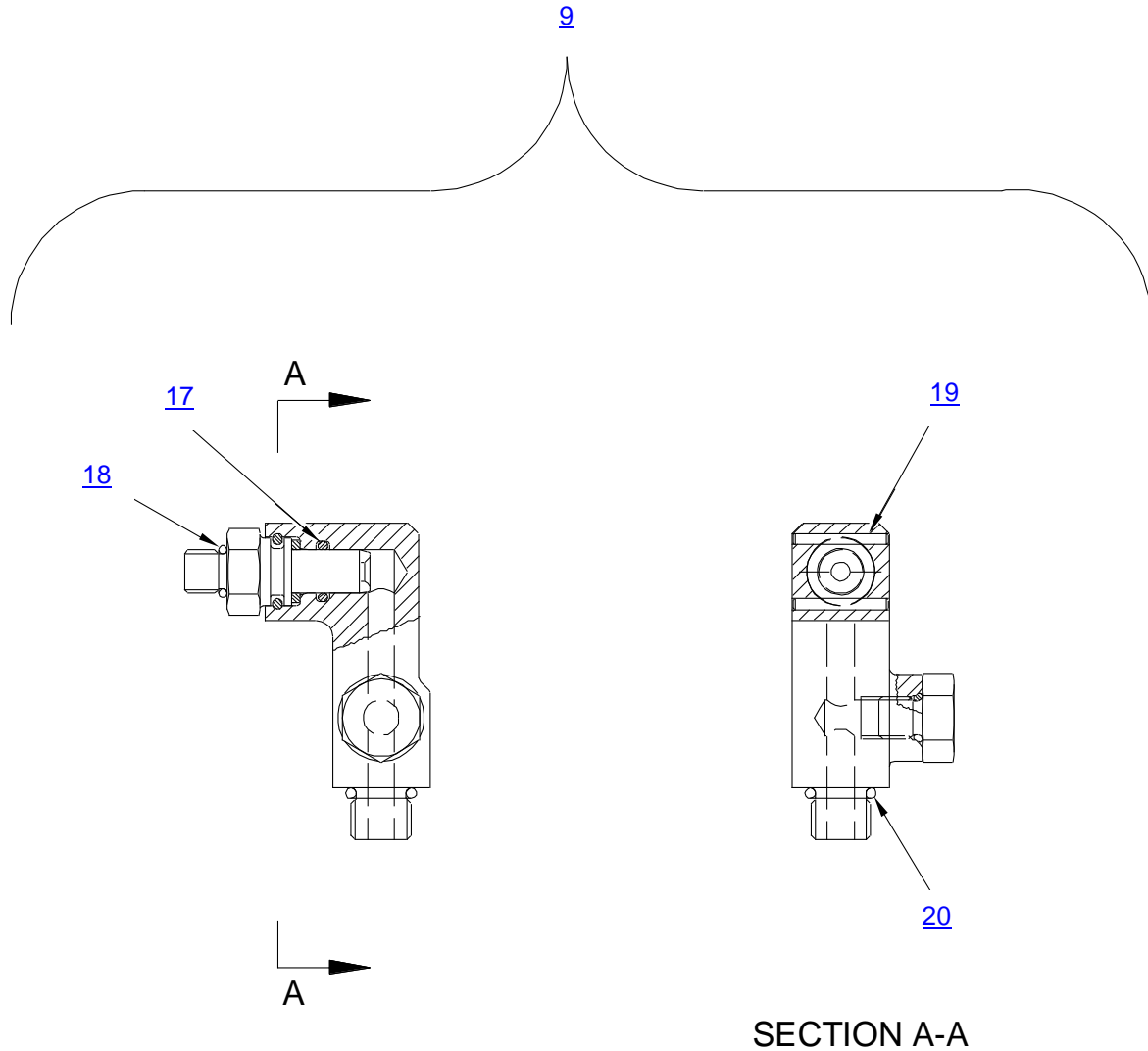
## GSE & TOOL USE AND MAINTENANCE MANUAL

Manual number:  
**MAN-3G1200G00132**  
**REV. A**

Pag. 17 of 21

ITEM	P/N	DESCRIPTION	Q.TY
1	3G1200G00132	ADAPTERS KIT, HELICOPTER SERVICING	REF
2	1600	CASE, TRANSIT	1
3	A304A004A1	PLATE IDENTIFICATION	1
4	3G1200G001951	NAMEPLATE	1
5	3G0205G00260	NAMEPLATE	1
6	3G1205G01152	UPPER FOAM	1
7	3G1205G01052	LOWER FOAM	1
8	STI3045	TYRE INFLATOR GAUGE, NITROGEN KIT	1
9	3G1205G00231	ADAPTER, M/R DAMPER OIL FILLING (For Breakdown ref. to <a href="#">Fig. 6</a> and <a href="#">Table 6</a> )	1
10	MS28778-4	PACKING, PREFORMED	1
11	A353A04	COUPLING HALF, QUICK DISCONNECT	1
12	D164004	PLUG, DUST	1
13	109-3501-08-115	TOOL ASSY, CONTROL (For Breakdown ref. to <a href="#">Fig. 7</a> and <a href="#">Table 7</a> )	1
14	AFS482B	WRENCH WHEEL BRAKE RES. COVER	2
	or	REM/INST	
	AFS482C	WRENCH	
15	2G7839	DRAINING	1
	or	or	
	GB492-191-370	HOSE IGB AND TGB OIL DRAINING	
16	or	or	1
	MM010	HOSE IGB AND TGB OIL DRAINING	
16	3G1200G00331	HOSE, MGB OIL DRAINING (For Breakdown ref. to <a href="#">Fig. 8</a> and <a href="#">Table 8</a> )	1

*Table 5 – Spare Parts*

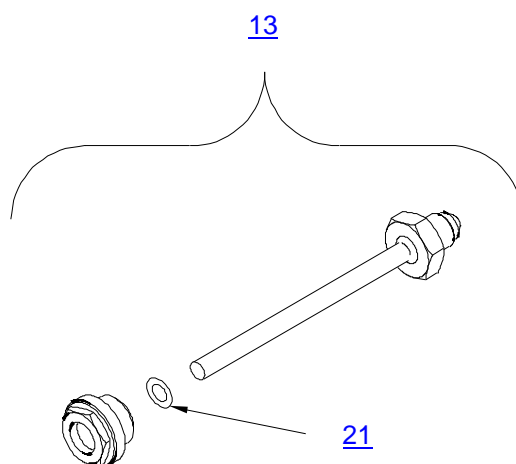


3G1200G00132\_4

*Figure 6 – Spare Parts*

ITEM	P/N	DESCRIPTION	Q.TY
9	3G1205G00231	ADAPTER, M/R DAMPER OIL FILLING	REF
17	OR2031	O-RING	1
18	MS28778-2	O-RING	2
19	MS171469	PIN, SPRING	2
20	MS28778-4	O-RING	1

*Table 6 – Spare Parts*

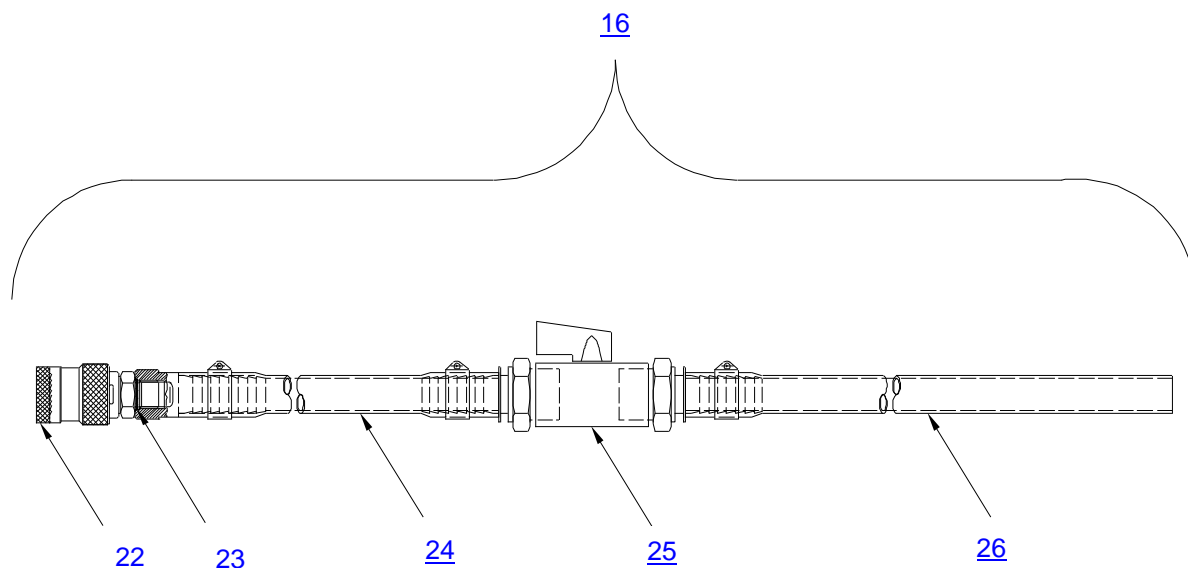


3G1200G00132\_5

*Figure 7 – Spare Parts*

ITEM	P/N	DESCRIPTION	Q.TY
13	109-3501-08-115	TOOL ASSY, CONTROL	REF
21	109-3501-08-13	GASKET	1

*Table 7 – Spare Parts*



3G1200G00132\_6

*Figure 8 – Spare Parts*

ITEM	P/N	DESCRIPTION	Q.TY
16	3G1200G00331	HOSE, MGB OIL DRAINING	REF
22	MM006 or GB492-191-350	PLUG or PLUG	1
23	MS28778-6	PACKING, PREFORMED	1
24	3G1205G01351	HOSE	1
25	6300-3/4	VALVE	1
26	3G1205G01251	HOSE	1

*Table 8 – Spare Parts*

## 16. CE MARKING

No CE marking is required for the P/N 3G1200G00132 ADAPTERS KIT, HELICOPTER SERVICING.



GSE & TOOL  
USE AND MAINTENANCE MANUAL

Manual number:  
**MAN-3G1200G00132**  
**REV. A**

Pag. 21 of 21

# ANNEX A

# TOOL LOG CARD



# TOOL LOG CARD

ISSUE -/  
Pag. 1 of 3

<b>TOOL KIT P/N:</b> [1]	<b>TOOL KIT DESCRIPTION:</b> [2]	<b>TOOL KIT S/N:</b> [3]
<b>TOOL P/N:</b> [4]	<b>TOOL S/N:</b> [5]	<b>REMARKS:</b> [6]

## Section 1: CHECKS RECORD

[7] N° check	[8] DATE	[9] P/N TO CHECK	[10] CHECK	[11] FREQUENCY	[12] RESULT	[13] NOTE	CERTIFICATION [14]
							STAMP & SIGNATURE [15]
1							
2							
3							
4							
5							
6							
7							
8							
9							
10							
<b>FINAL ACCEPTANCE [16]</b>							
<b>STAMP &amp; SIGNATURE [17]</b>						<b>DATE [18]</b>	

TLC\_Table 1



# TOOL LOG CARD

ISSUE -/-  
Pag. 2 of 3

<b>TOOL KIT P/N:</b> [1]	<b>TOOL KIT DESCRIPTION:</b> [2]	<b>TOOL KIT S/N:</b> [3]
<b>TOOL P/N:</b> [4]	<b>TOOL S/N:</b> [5]	<b>REMARKS:</b> [6]

## Section 2: HISTORICAL USES RECORD

[19] N°USE	[8] DATE	[6] NOTE	[13] CERTIFICATION	[19] N°USE	[8] DATE	[6] NOTE	[13] CERTIFICATION
			[14] STAMP & SIGNATURE				[14] STAMP & SIGNATURE
1				11			
2				12			
3				13			
4				14			
5				15			
6				16			
7				17			
8				18			
9				19			
10				20			

TLC\_Table 2

## LOG CARD FILLING INSTRUCTIONS

<b>FIELD #</b>	<b>HEADER</b>	<b>NOTE</b>
<b>1</b>	Part number of the tool Kit	
<b>2</b>	Tool Kit denomination	
<b>3</b>	Serial Number of the tool Kit	
<b>4</b>	Part Number of the tool (part of kit)	
<b>5</b>	Serial Number of the tool (if applicable)	
<b>6</b>	Indicate any details of the use	
<b>7</b>	Sequential number of check performed	
<b>8</b>	Date of the activity	
<b>9</b>	PN of tool or component (part of tool) checked/affected by issue	
<b>10</b>	Typology or description of checks /issue	
<b>11</b>	Check frequency	
<b>12</b>	Check result	
<b>13</b>	Check remarks	
<b>14</b>	Performance certification	
<b>15</b>	Stamp and signature of the personnel which performs the check	
<b>16</b>	Section related to the final approval	
<b>17</b>	Stamp and signature of the personnel which performs the final approval	
<b>18</b>	Date on which the final check was made	
<b>19</b>	Sequential number of performed used of the tool	