

### A800 SEARCH LIGHT SYSTEM - Illustrated Parts Data

FIG	PART NUMBER.....	DESCRIPTION	**UOCA..	I C	QNHA	SMR...
ITEM	NSN.....	1 2 3 4 5 6 7 8 9	MVEFFECT..	Y	UI	
10						
- 0	4G3340F02411	TRAKKA A800 SEARCHLIGHT KIT (NSCM A0126) (Refer to 00-00-00 fig. 01 item 341 for NHA)	** A EN LN		REF	XC
- 0	4G3340F02412	TRAKKA A800 SEARCHLIGHT KIT (NSCM A0126) (NVG/Refer to 00-00-00 fig. 01 item 341 for NHA)	** B EN LN		REF	XC
- 0	4G3340F02411	TRAKKA A800 SEARCHLIGHT KIT (NSCM A0126) (Refer to 00-00-00 fig. 01 item 341 for NHA)	** A EP	-4	REF	XC
- 0	4G3340F02413	TRAKKA A800 SEARCHLIGHT KIT (NSCM A0126) (Refer to 00-00-00 fig. 01 item 341 for NHA)	** C EP	4-	REF	XC
- 0	4G3340F02412	TRAKKA A800 SEARCHLIGHT KIT (NSCM A0126) (Refer to 00-00-00 fig. 01 item 341 for NHA)	** B EP	-4	REF	XC
- 0	4G3340F02414	TRAKKA A800 SEARCHLIGHT KIT (NSCM A0126) (Refer to 00-00-00 fig. 01 item 341 for NHA)	** D EP	4-	REF	XC
- 1	3G3340A11311	• SEARCHLIGHT TRAKKA A800 REMOVABLE PARTS (NSCM A0126)	** A---- EN LN		REF	XC
- 1	3G3340A11312	• SEARCHLIGHT TRAKKA A800 REMOVABLE PARTS (NSCM A0126)	** -B---- EN LN		REF	XC
- 1	3G3340A16811	• SEARCHLIGHT TRAKKA A800 REMOVABLE PARTS (NSCM A0126)	** -C--- EP		REF	XC
- 1	3G3340A16911	• SEARCHLIGHT TRAKKA A800 REMOVABLE PARTS (NSCM A0126)	** ---D-- EP		REF	XC
- 2	DPN00005	• • ITEM DELETED (NSCM A0126)	EN EP LN		REF	XC
- 3	DPN00005	• • ITEM DELETED (NSCM A0126)	EN EP LN		REF	XC
- 4	DPN00005	• • ITEM DELETED (NSCM A0126)	EN EP LN		REF	XC
- 5	DPN00005	• • ITEM DELETED (NSCM A0126)	EN EP LN		REF	XC
- 6	DPN00005	• • ITEM DELETED (NSCM A0126)	EN EP LN		REF	XC

- 7	DPN00005	• • ITEM DELETED (NSCM A0126)	EN EP LN	REF	XC
7C	A838A7501A	• • SUPPORT (NSCM A0126)	EN EP LN	0001 EA	PAOZZ
- 7G	DPN00005	• • ITEM DELETED (NSCM A0126)	EN EP LN	REF	XC
- 7K	DPN00005	• • ITEM DELETED (NSCM A0126)	EN EP LN	REF	XC
7P	A537A01AA04-0230	• • CABLE LIGHTNING CONDUCTOR ASSY (NSCM A0126)	EN EP LN	0001 EA	PAOZZ
7T	NAS1802-3-10	* * SCREW,MACHINE (NSCM 80205)	EN EP LN	0001 EA	PAOZZ
7X	NAS1149D0332J	* * WASHER,FLAT (NSCM 80205)	EN EP LN	0001 EA	PAOZZ
- 8	DPN00005	• • ITEM DELETED (NSCM A0126)	EN EP LN	REF	XC
9	A537A01AA03-0780	• • GROUND CABLE (NSCM A0126)	EN EP LN	0001 EA	PAOZZ
10	AN3CH4A	* * BOLT,MACHINE (NSCM 88044)	** A----- EN EP LN	0001 EA	PAOZZ
10	NAS6603DH5	* * BOLT,MACHINE (NSCM 80205)	** -BCD-- EN EP LN	0001 EA	PAOZZ
11	NAS1149D0332J	* * WASHER,FLAT (NSCM 80205)	EN EP LN	0004 EA	PAOZZ
12	MS21042L3	* * NUT,SELF-LOCKING,EXTENDED WASHER,HEXAGON (NSCM 80205) (To get this item refer to the approved manufacturer list only - Refer to: 39-A-00-00-00-00A-94BA-D)	** A-CD-- EN EP LN	0001 EA	PAOZZ
12	MS21043-3	* * NUT,SELF-LOCKING,HEXAGON (NSCM 80205)	** -B----- EN EP LN	0001 EA	PAOZZ
12M	LN9338-06	* *	EN	0001 EA	PAOZZ

		NUT,SELF-LOCKING,HEXAGON (NSCM D8442) (To get this item refer to the approved manufacturer list only - Refer to: 39-A-00-00-00A-94BA-D)	EP LN		
13	3G5316A90751	• • SUPPORT (NSCM A0126)	EN EP LN	0001 EA	PAOZZ
14	MS24665-155	* * PIN,COTTER (NSCM 80205)	EN EP LN	0004	PAOZZ
15	NAS1149C0516R	* * WASHER,FLAT (NSCM 80205)	EN EP LN	0004 EA	PAOZZ
16	MS17825-5	* * NUT,SELF-LOCKING,SLOTTED,HEXAGON (NSCM 96906)	EN EP LN	0004 EA	PAOZZ
17	NAS6605D25	* * BOLT,SHEAR (NSCM 80205)	EN EP LN	-1 0004 EA	PAOZZ
17	AW011TB05DB-25	* * BOLT,SHEAR (NSCM A0126)	EN EP LN	2- 0004 EA	PAOZZ
18	037161	• • DOVETAIL ADAPTER (NSCM Z0EP4)	EN EP LN	0001 EA	PAOZZ
19	3G3340A04452	• • INTERFACE PLATE (NSCM A0126)	EN EP LN	0001 EA	PAOZZ
20	HSTM10AZ08-8	* * PIN (NSCM 73197)	EN EP LN	0004 EA	PAOZZ
21	HSTM1087-08	* * COLLAR (NSCM 73197)	EN EP LN	0004 EA	PAOZZ
21C	A537A01AA02-0240	• • CABLE LIGHTNING CONDUCTOR ASSY (NSCM A0126)	EN EP LN	0001 EA	PAOZZ
21E	AN5-6	* * BOLT,MACHINE (NSCM 88044)	** AB---- EN LN	0001 EA	PAOZZ
21E	AN5H6A	* * BOLT,MACHINE (NSCM 88044)	** --CD-- EP	0001 EA	PAOZZ
21K	LN29769K06003	* * BOLT,MACHINE (NSCM D8442)	EN EP LN	0002 EA	PAOZZ

21M	NAS1149D0532K	* * WASHER,FLAT (NSCM 80205)	EN EP LN	0002 EA	PAOZZ
21P	NAS1149D0432J	* * WASHER,FLAT (NSCM 80205)	EN EP LN	0004 EA	PAOZZ
21S	MS17825-5	* * NUT,SELF-LOCKING,SLOTTED,HEXAGON (NSCM 96906)	EN EP LN	0001 EA	PAOZZ
21V	MS21043-4	* * NUT,SELF-LOCKING,HEXAGON (NSCM 80205)	EN EP LN	0001 EA	PAOZZ
21X	MS24665-155	* * PIN,COTTER (NSCM 80205)	EN EP LN	0001	PAOZZ
22	200007-0000000	• • SEARCHLIGHT ASSY (NSCM Z0EP4) (PRE MOD.B.T.139-364) (RFD DS200)	** A----- EN *14C LN *14C	-3 0001 EA	PAODD
22	200009-0000000	• • SEARCHLIGHT ASSY (NSCM Z0EP4) (POST MOD.B.T.139-364) (RFD DS200)	** A----- EN *14C LN *14C	5- 0001 EA	PAODD
22	200009-0000000	• • SEARCHLIGHT ASSY (NSCM Z0EP4) (RFD DS200)	** A----- EN *14D EP *14D	0001 EA	PAODD
22	200007-0025000	• • SEARCHLIGHT ASSY (NSCM Z0EP4) (PRE MOD.B.T.139-364) (RFD DS200)	** -B----- EN *14C LN *14C	-3 0001 EA	PAODD
22	200009-0025000	• • SEARCHLIGHT ASSY (NSCM Z0EP4) (POST MOD.B.T.139-364) (RFD DS200)	** -B----- EN *14C LN *14C	5- 0001 EA	PAODD
22	200009-0025000	• • SEARCHLIGHT ASSY (NSCM Z0EP4) (RFD DS200)	** -B----- EN *14D EP *14D	0001 EA	PAODD
22	200099-0034500	• • SEARCHLIGHT ASSY (NSCM Z0EP4) (Refer to 00-00-31 fig. 02 item 004) (RFD DS200)	EN *15K	REF EA	PAODD
- 23	3G3340I00231	• • SEARCHLIGHT TRAKKA A800 VCD (NSCM A0126)	** -C--- EP	REF	XC
- 23	3G3340I00331	• • SEARCHLIGHT TRAKKA A800 VCD (NSCM A0126)	** ---D-- EP	REF	XC
- 23H	201006-0000000	• • • A800 SEARCHLIGHT (NSCM Z0EP4)	** -C--- EP	0001 EA	PAODD
- 23H	201006-0025000	• • • A800 SEARCHLIGHT (NSCM Z0EP4)	** ---D-- EP	0001 EA	PAODD
- 23S	A016A004B1	• • • PLATE,IDENTIFICATION (NSCM A0126)	** -CD-- EP	0001 EA	PAOZZ
- 24	DPN00005	• • • ITEM DELETED (NSCM A0126)	EN EP LN	REF	XC

25	032024	• • • LAMP ASSY (NSCM Z0EP4)	** AB---- EN EP LN	0001 EA	PAFDD
26	109666	* * * SCREW,MACHINE (NSCM Z0EP4)	** AB---- EN EP LN	-4 0007 EA	PAFZZ
26	MS27039C1-10	* * * SCREW,MACHINE (NSCM 96906)	** AB---- EN EP LN	4- 0007 EA	PAFZZ
27	109689	* * * WASHER,NYLON (NSCM Z0EP4)	** AB---- EN EP LN	0007 EA	PAFZZ
27D	049955	• • • • MICROSWITCH (NSCM Z0EP4)	** AB---- EN EP LN	0002 EA	PAFZZ
27J	109737	* * * * SCREW,SOCKET HEAD CAP (NSCM Z0EP4)	** AB---- EN EP LN	0002 EA	PAFZZ
27R	109704	* * * * WASHER,FLAT (NSCM Z0EP4)	** AB---- EN EP LN	0004 EA	PAFZZ
27W	109583	* * * * NYLOCK (NSCM Z0EP4)	** AB---- EN EP LN	0002 EA	PAFZZ
28	DPN33043	• • • FAIRING,UP (NSCM A0126) (P/N TBD)	** AB---- EN EP LN	REF	XC
29	DPN33044	• • • FAIRING,LWR (NSCM A0126) (P/N TBD)	** AB---- EN EP LN	REF	XC
30	109147	• • • SCREW (NSCM Z0EP4)	** AB---- EN EP LN	0003 EA	PAFZZ
30M	109562	• • • WASHER (NSCM Z0EP4)	** AB---- EN EP LN	0003 EA	PAFZZ
31	033033	• • • LEG HATCH ASSY (NSCM Z0EP4)	** AB---- EN EP LN	0001 EA	PAFZZ
32	109099	* * * SCREW,HEAD CAP (NSCM Z0EP4)	** AB---- EN EP LN	0001 EA	PAFZZ
32M	109740	• • • RUBBER SEAL (NSCM Z0EP4)	** AB----	0001	PAFZZ

			EN EP LN	EA	
33	037217	• • • LEG CAP (NSCM Z0EP4)	** AB---- EN EP LN	0002 EA	PAFZZ
34	109334	* * * SCREW (NSCM Z0EP4) (M4X16 CONTERSUNK)	** AB---- EN EP LN	0004 EA	PAFZZ
35	3G3340A01133	• • MOUNT ASSY,SEARCH LIGHT (NSCM A0126) (Refer to 33-49-01 fig. 03 item 000 for BKDN)	EN EP LN	0001 EA	PAOFF
36	NAS1354DC7C20D	* * PIN,QUICK RELEASE (NSCM 80205) (Refer to 33-49-01 fig. 03 item 016)	EN EP LN	REF EA	PAFZZ
37	MS27039-08-07	• • SCREW,MACHINE (NSCM 96906)	EN EP LN	-1 0004 EA	PAOZZ
37	MS27039-0807	• • SCREW,MACHINE (NSCM 96906)	EN EP LN	2- 0004 EA	PAOZZ
38	NAS1149CN816R	• • WASHER,FLAT (NSCM 80205)	EN EP LN	0004 EA	PAOZZ
- 39	DPN00005	• • ITEM DELETED (NSCM A0126)	EN EP LN	REF	XC
- 40	DPN00005	• • ITEM DELETED (NSCM A0126)	EN EP LN	REF	XC
- 41	DPN00005	• • ITEM DELETED (NSCM A0126)	EN EP LN	REF	XC
42	011013-0000009	• • POWER CONDITIONING INTERFACE UNIT (NSCM Z0EP4) (PRE MOD.B.T.139-364/Refer to 33-49-03 fig. 01 item 000 for BKDN) (RFD A286)	** AB---- EN *14C LN *14C	-3 0001 EA	PAOOO
42	011013-0000039	• • POWER CONDITIONING INTERFACE UNIT (NSCM Z0EP4) (POST MOD.B.T.139-364/Refer to 33-49-03 fig. 01 item 000 for BKDN) (RFD A286)	** AB---- EN *14C LN *14C	5- 0001 EA	PAOOO
42	011013-0000039	• • POWER CONDITIONING INTERFACE UNIT (NSCM Z0EP4) (Refer to 33-49-03 fig. 01 item 000 for BKDN) (RFD A286)	EN *14D EP *14D	0001 EA	PAOOO
43	NAS1802-3-9	* * SCREW,MACHINE (NSCM 80205)	EN EP LN	0003 EA	PAOZZ

44	NAS1149D0332J	* * WASHER,FLAT (NSCM 80205)	EN EP LN	0003 EA	PAOZZ
45	ED300A286	• • DECAL (NSCM U7941)	EN EP LN	0001 EA	PAOZZ
46	021001-0000000	• • HAND CONTROLLER (NSCM Z0EP4) (RFD A280)	** AB---- EN EP LN	0001 EA	PAOLD
46	021015-0101000	• • GRIP HAND CONTROLLER (NSCM Z0EP4) (RFD A280)	** --CD-- EP	0001 EA	PAOLD
47	ED300A280	• • DECAL (NSCM U7941)	EN EP LN	0001 EA	PAOZZ
48	041020	• • PENDANT CABLE (NSCM Z0EP4)	EN EP LN	0001 EA	PAOZZ
- 48C	3G5306P47311	• • RETAINING CABLE VARIANT INSTL (NSCM A0126)	EN EP LN	REF	XC
48E	3G3340A14551	• • • INTERFACE PLATE (NSCM A0126)	EN EP LN	0001 EA	PAOZZ
48H	NAS307-22-0420	• • • WIRE ROPE ASSY,SINGLE LEG (NSCM 80205)	EN EP LN	0001 EA	PAOZZ
48K	NAS6605D10	* * * BOLT (NSCM 80205)	EN EP LN	-1 0002 EA	PAOZZ
48K	AW011TB05DB-10	* * * BOLT (NSCM A0126)	EN EP LN	2- 0002 EA	PAOZZ
48M	A160A0532K	* * * WASHER,COUNTERSUNK (NSCM A0126)	EN EP LN	-3 0002 EA	PAOZZ
48M	AW010TY002FB01A	* * * WASHER,COUNTERSUNK (NSCM A0126)	EN EP LN	5- 0002 EA	PAOZZ
48P	NAS1149D0532K	* * * WASHER,FLAT (NSCM 80205)	EN EP LN	0002 EA	PAOZZ
48S	MS21225-5	* * * NUT,SELF-LOCKING,CSTL,HEX (NSCM 96906)	EN EP	0002 EA	PAOZZ

			LN		
48V	MS24665-153	* * * PIN,COTTER (NSCM 96906)	EN EP LN	-1 0002 EA	PAOZZ
48V	MS24665-155	* * * PIN,COTTER (NSCM 80205)	EN EP LN	2- 0002	PAOZZ
48X	MS35489-19	. . . GROMMET, NONMETALLIC (NSCM 96906)	EN EP LN	0002 EA	PAOZZ
- 49	DPN91194	. • HARNESS INSTL, SEARCHLIGHT A800 TRAKKA (NSCM A0126) (Refer to 91-27-80 fig. 01 item 000 for BKDN)	EN EP LN	REF	XC
- 50	3G3340A11611	. • SEARCHLIGHT TRAKKA A800 EQUIPMENT INSTL (NSCM A0126)	EN EP	REF	XC
- 50	3G3340A11612	. • SEARCHLIGHT TRAKKA A800 EQUIPMENT INSTL (NSCM A0126)	LN	REF	XC
51	021013-1000000	. • CONTROL PANEL (NSCM Z0EP4) (RFD PL124)	LN	-4 0001 EA	PAOLD
51	021013-0000000	. • CONTROL PANEL (NSCM Z0EP4) (RFD PL124)	LN	4- 0001 EA	PAOLD
51	021013-1000000	. • CONTROL PANEL (NSCM Z0EP4) (RFD PL124)	EN EP *19Y	0001 EA	PAOLD
51	021027-0000001	. • CONTROL PANEL (NSCM Z0EP4) (RFD PL124)	EP *19Z	0001 EA	PAOLD
52	ED300PL124	. • DECAL (NSCM U7941)	EN EP LN	0001 EA	PAOZZ
- 53	3G3340A11511	. • SEARCHLIGHT TRAKKA A800 COMPLETE PROVISION (NSCM A0126)	** A----- EN	REF	XC
- 53	3G3340A11512	. • SEARCHLIGHT TRAKKA A800 COMPLETE PROVISION (NSCM A0126)	** -B----- LN	REF	XC
- 53	3G3340A11513	. • SEARCHLIGHT TRAKKA A800 COMPLETE PROVISION (NSCM A0126)	** --CD-- EP	REF	XC
- 54	3G3340A11411	. • HARNESS INSTL, SEARCHLIGHT A800 TRAKKA (NSCM A0126)	** A-CD-- EN EP	REF	XC
- 54	3G3340A11412	. • HARNESS INSTL, SEARCHLIGHT A800 TRAKKA (NSCM A0126)	** -B----- LN	REF	XC
55	A649A01	. • • RELAY, ELECTROMAGNETIC (NSCM A0126) (RFD K267) (RFD K269) (RFD K271) (RFD K273)	EN EP LN	0004 EA	PAOZZ
56	ED300K267	. • • DECAL (NSCM U7941)	EN EP	0001 EA	PAOZZ

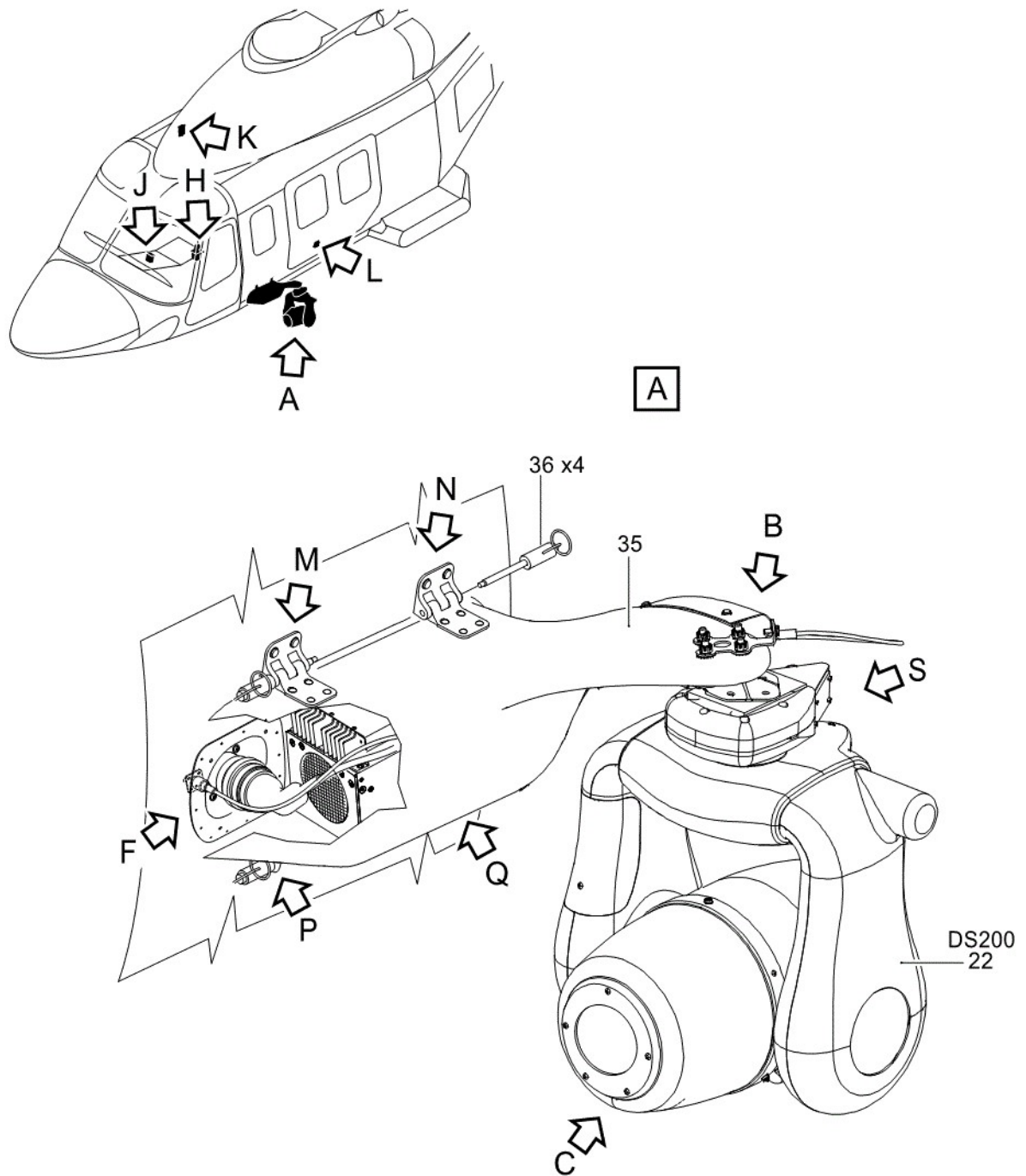


			LN		
57	ED300K269	• • • DECAL (NSCM U7941)	EN EP LN	0001 EA	PAOZZ
58	ED300K271	• • • DECAL (NSCM U7941)	EN EP LN	0001 EA	PAOZZ
59	ED300K273	• • • DECAL (NSCM A0126)	EN EP LN	0001 EA	PAOZZ
60	A616A1A75	• • • CIRCUIT BREAKER (NSCM A0126) (RFD S29)	EN EP LN	0001 EA	PAOZZ
61	NAS1802-08-07	* * * SCREW (NSCM A0126)	EN EP LN	0002 EA	PAOZZ
62	NAS1149FN832P	* * * WASHER,FLAT (NSCM 80205)	EN EP LN	0002 EA	PAOZZ
- 63	A584A02	• • • CABLE NIPPLE,ELECTRICAL (NSCM A0126)	EN EP LN	0002 EA	PAOZZ
64	ED300S29	• • • DECAL (NSCM U7941)	EN EP LN	0001 EA	PAOZZ
- 65	DPN91203	• • • HARNESS INSTL,SEARCHLIGHT A800 TRAKKA (NSCM A0126) (Refer to 91-27-72 fig. 01 item 000 for BKDN)	EN EP LN	REF	XC
- 66	3G5310A84411	• • STRUCTURAL PROVISION (NSCM A0126)	** A----- EN	REF	XC
- 66	3G5310A84412	• • STRUCTURAL PROVISION (NSCM A0126)	** -B----- LN	REF	XC
- 66	3G5310A01917	• • STRUCTURAL PROVISION (NSCM A0126)	** --CD-- EP	REF	XC
67	3G5316A59351	• • • SUPPORT (NSCM A0126)	EN EP LN	0001 EA	PAOZZ
68	NAS1802-08-5	* * * SCREW,MACHINE (NSCM 80205)	EN EP LN	0004 EA	PAOZZ
69	NAS1149DN816K	* * * WASHER,FLAT (NSCM 80205)	EN EP LN	0004 EA	PAOZZ

70	NAS1836-08-13	• • • INSERT,SCREW THREAD (NSCM 80205)	EN EP LN	0004 EA	PAOZZ
- 71	NAS1832C08-3	• • • INSERT (NSCM 80205)	EN EP LN	0002 EA	PAOZZ
- 72	3G5310A87511	• • STRUCTURAL PROVISION (NSCM A0126)	** A----- EN	REF	XC
- 72	3G5310A87511	• • STRUCTURAL PROVISION (NSCM A0126) (APPLICABLE WHEN FUSELAGE STRUCTURE ASSY P/N 4G3340A02412 IS INSTALLED/Refer to 33-49-00 fig. 03 item 080)	EN	REF	XC
73	3G5310A04851	• • • COVER (NSCM A0126) (NOT APPLICABLE WHEN REMOVABLE PARTS ARE INSTALLED)	** A----- EN	0001 EA	PAOZZ
74	MS27039-08-07	* * * SCREW,MACHINE (NSCM 96906)	** A----- EN	-1 0004 EA	PAOZZ
74	MS27039-0807	* * * SCREW,MACHINE (NSCM 96906)	** A----- EN	2- 0004 EA	PAOZZ
75	NAS1149CN816R	* * * WASHER,FLAT (NSCM 80205)	** A----- EN	0004 EA	PAOZZ
76	999-5000-30-117	• • • INSERT,SCREW THREAD (NSCM A0126)	** A----- EN	-1 0004 EA	PAOZZ
76	AW007TE-30-117	• • • INSERT,SCREW THREAD (NSCM A0126)	** A----- EN	2- 0004 EA	PAOZZ
- 77	3G3340A13711	• • HINGES INSTL (NSCM A0126)	** A----- EN	REF	XC
- 77	3G3340A13711	• • HINGES INSTL (NSCM A0126) (Refer to 33-49-00 fig. 03 item 079)	EN	REF	XC
78	3G3340A01352	• • • HALF HINGE,UP (NSCM A0126)	** A----- EN	0002 EA	PAOZZ
79	MS27039-1-14	* * * SCREW,MACHINE (NSCM 80205)	** A----- EN	0002 EA	PAOZZ
80	MS27039-1-15	* * * SCREW,MACHINE (NSCM 80205)	** A----- EN	0002 EA	PAOZZ
81	NAS1149D0332K	* * * WASHER,FLAT (NSCM 80205)	** A----- EN	0008 EA	PAOZZ
82	3G3340A01453	• • • HALF HINGE,LWR (NSCM A0126)	** A----- EN	0001 EA	PAOZZ
83	MS27039-1-13	* * * SCREW,MACHINE (NSCM 96906)	** A----- EN	0004 EA	PAOZZ
84	NAS1149D0332K	* * * WASHER,FLAT (NSCM 80205)	** A----- EN	0004 EA	PAOZZ
85	3G3340A03652	• • • PEELING SHIM (NSCM A0126)	** A----- EN	0001 EA	PAOZZ
86	3G3340A11151	• • • HALF HINGE,LWR (NSCM A0126)	** A----- EN	0001 EA	PAOZZ
87	MS27039-1-13	* * * SCREW,MACHINE (NSCM 96906)	** A----- EN	0002 EA	PAOZZ

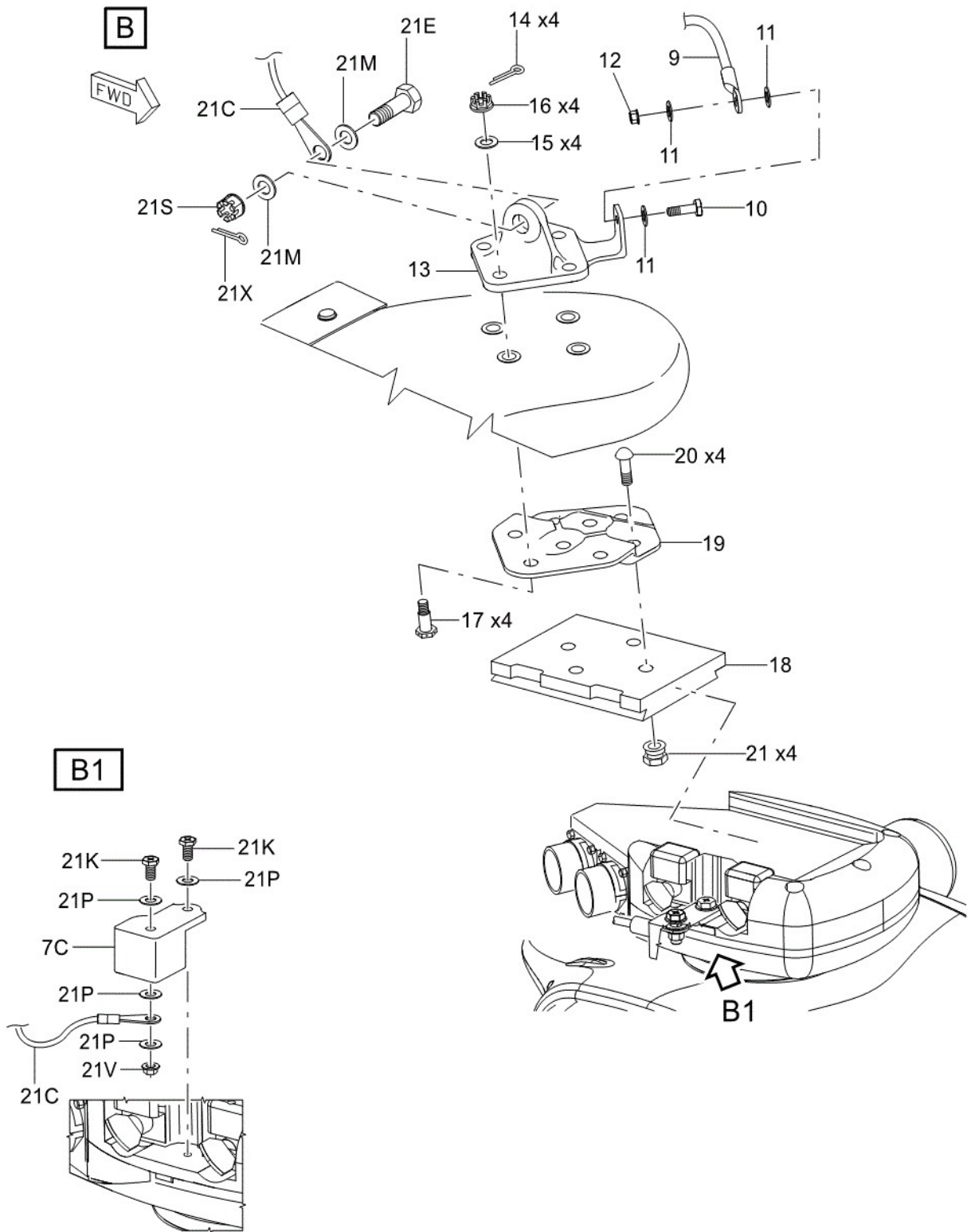
88	NAS1149D0332K	* * * WASHER,FLAT (NSCM 80205)	** A----- EN	0004 EA	PAOZZ
- 89	3G3340P00711	• • SEARCHLIGHT TRAKKA AVCS VARIANT (NSCM A0126)	** A-CD-- EN EP	REF	XC
90	4G5315A00531	• • SUPPORT ASSY,SEARCH LIGHT HANDLE CONTROL (NSCM A0126)	** A-CD-- EN EP	0001 EA	PAOFF
91	3G2510A05831	• • • BELT ASSY,MANUAL CASE (NSCM A0126)	** A-CD-- EN EP	0001 EA	PAFZZ
92	4G5315A00251	• • • BUMPER,SIDE (NSCM A0126)	** A-CD-- EN EP	0001 EA	PAFZZ
93	4G5315A00351	• • • BUMPER,LOWER (NSCM A0126)	** A-CD-- EN EP	0001 EA	PAFZZ
94	4G5315A00431	• • • INLET CABLE ASSY (NSCM A0126)	** A-CD-- EN EP	0001 EA	PAFZZ
95	4G5315A01151	• • • STUD (NSCM A0126)	** A-CD-- EN EP	0002 EA	PAFZZ
96	A350A38	• • • STUD,TURNLOCK FASTENER (NSCM A0126)	** A-CD-- EN EP	0004 EA	PAFZZ
- 97	4G5315A00151	• • • SUPPORT (NSCM A0126)	** A-CD-- EN EP	REF	XA
- 98	3G5310P03811	• • SEARCHLIGHT A800 TRAKKA STRUCTURAL (NSCM A0126)	** --CD-- EP	REF	XC

---



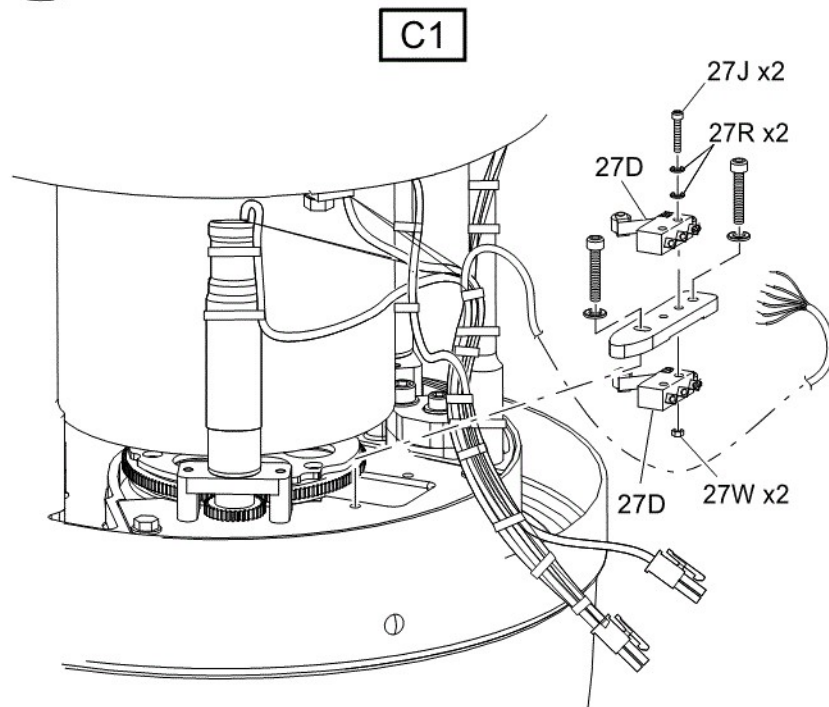
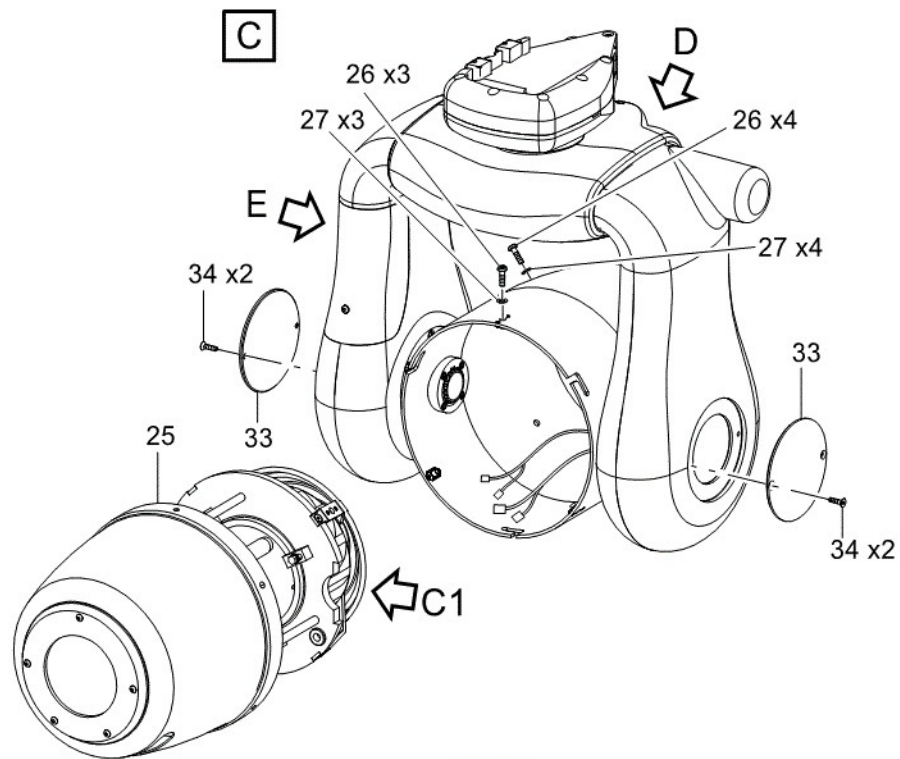
ICN-39-A-334900-G-00001-14447-A-002-01

FIGURE 10 A800 SEARCH LIGHT SYSTEM (SHEET 1 OF 7)



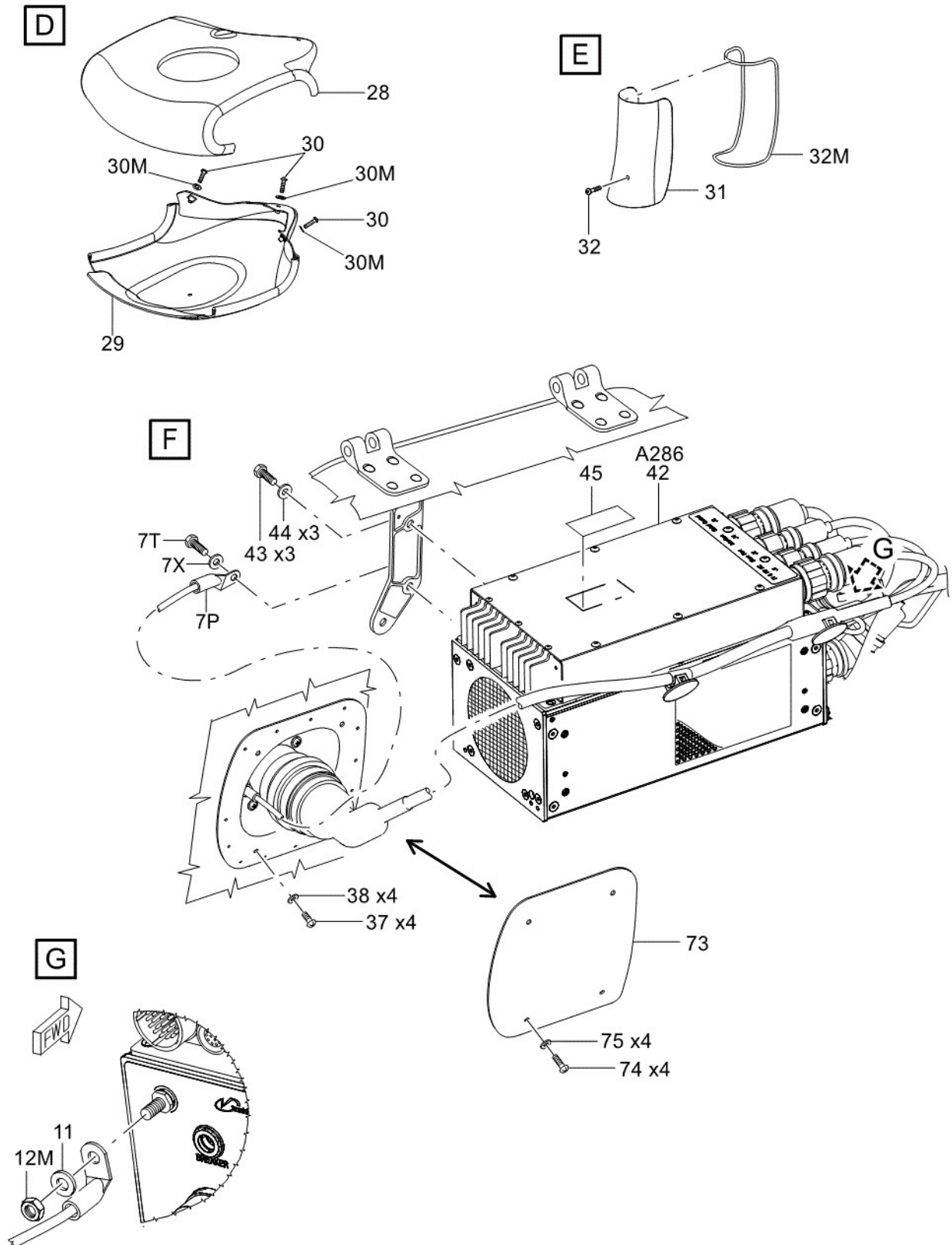
ICN-39-A-334900-G-00001-14448-A-005-01

FIGURE 10 A800 SEARCH LIGHT SYSTEM (SHEET 2 OF 7)



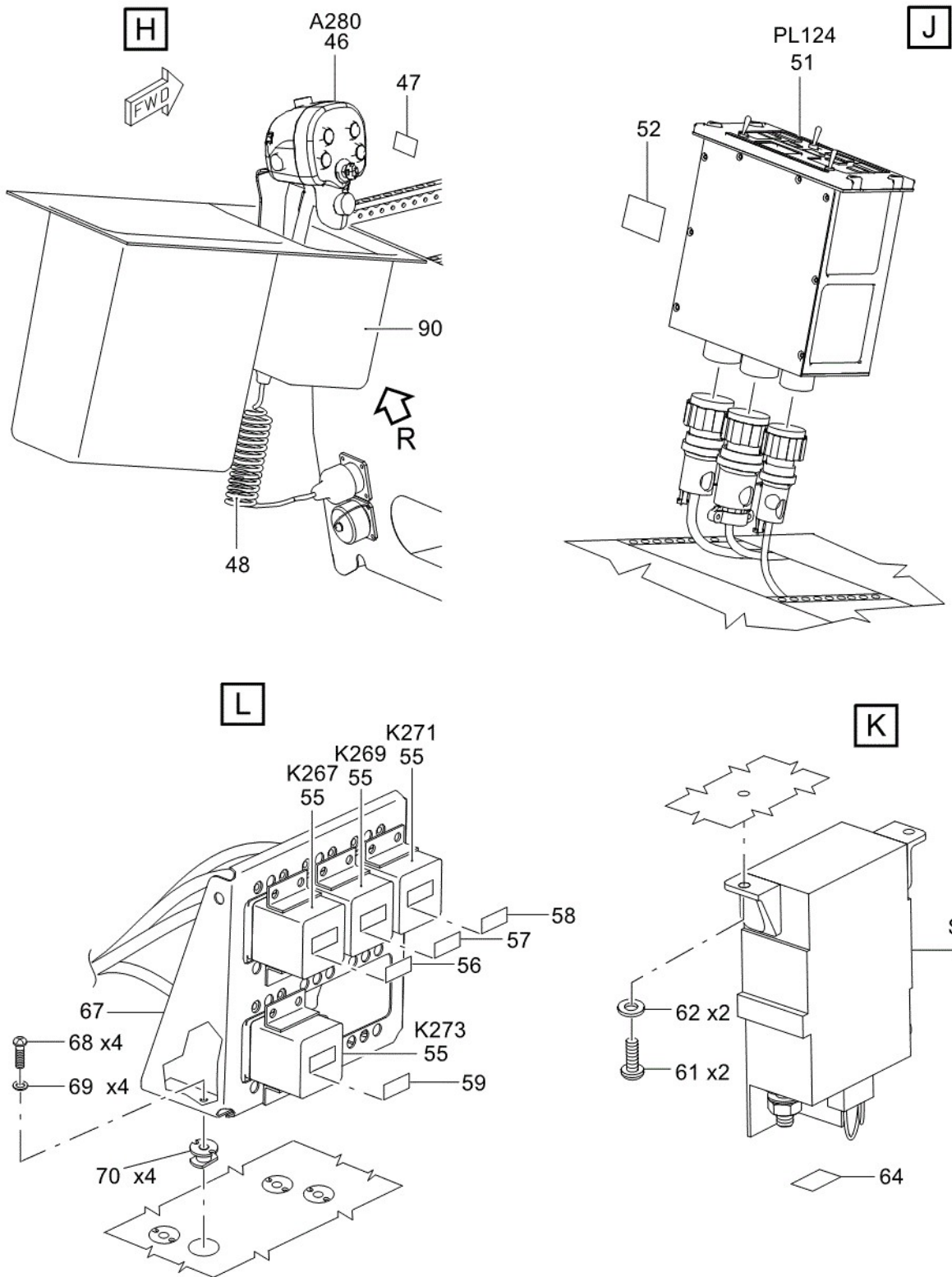
ICN-39-A-334900-G-00001-14449-A-003-01

FIGURE 10 A800 SEARCH LIGHT SYSTEM (SHEET 3 OF 7)



ICN-39-A-334900-G-00001-14955-A-004-01

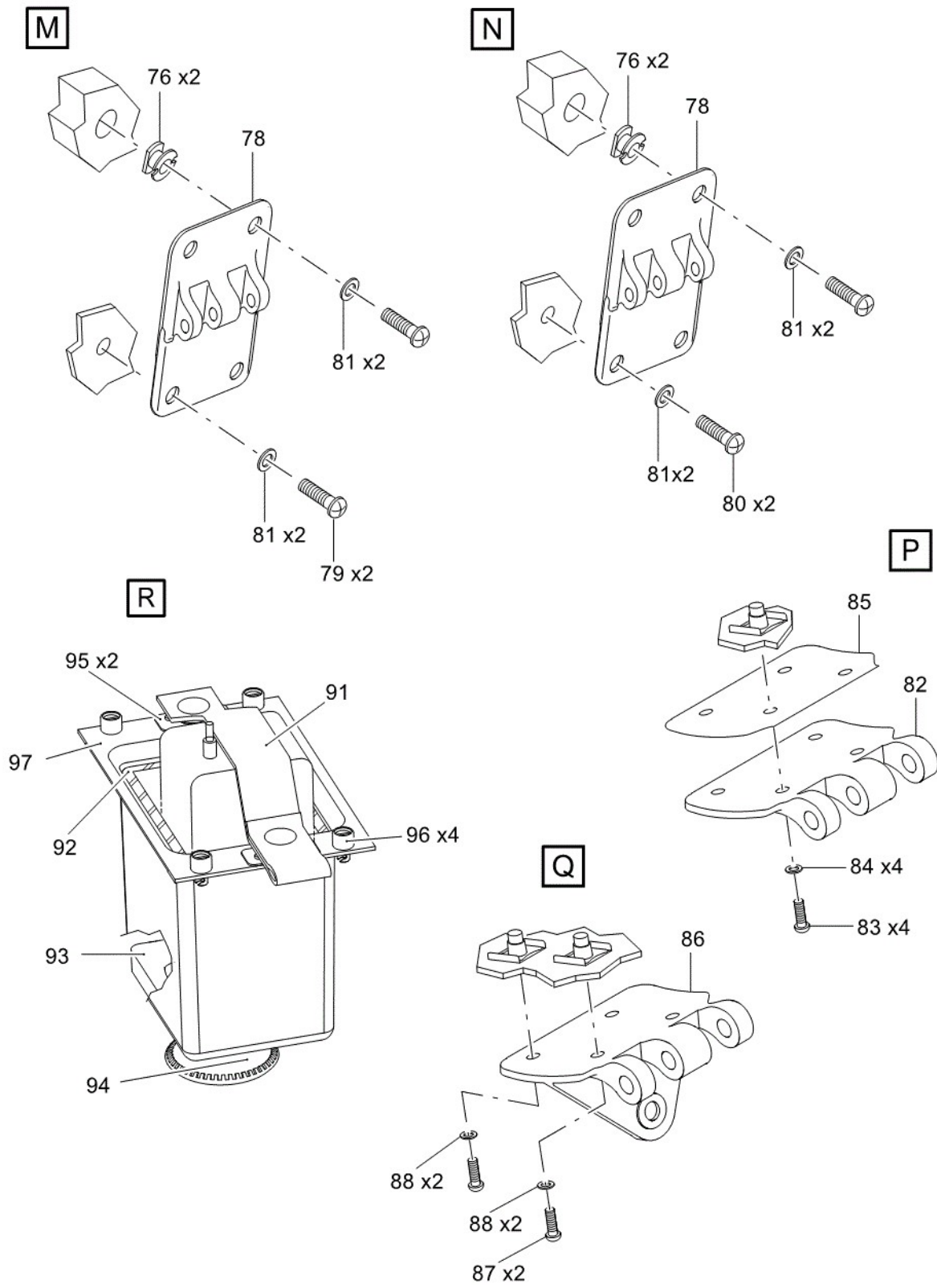
FIGURE 10 A800 SEARCH LIGHT SYSTEM (SHEET 4 OF 7)



ICN-39-A-334900-G-00001-14450-A-002-01

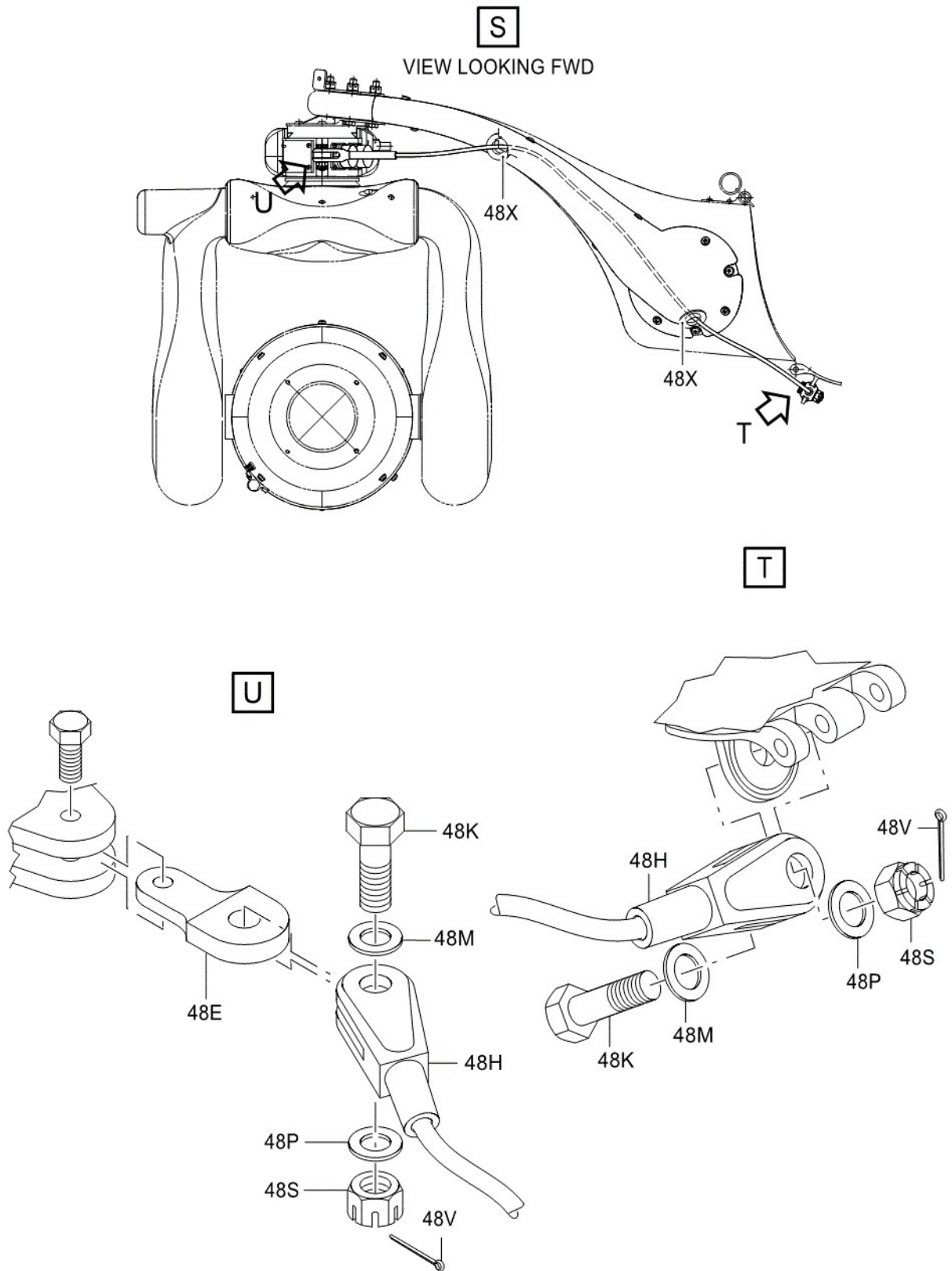
FIGURE 10 A800 SEARCH LIGHT SYSTEM (SHEET 5 OF 7)





ICN-39-A-334900-G-00001-14470-A-003-01

FIGURE 10 A800 SEARCH LIGHT SYSTEM (SHEET 6 OF 7)



ICN-39-A-334900-G-00001-29402-A-001-01

FIGURE 10 A800 SEARCH LIGHT SYSTEM (SHEET 7 OF 7)

***Document status and identification***

<b>Document code</b>	39-A-33-49-00-100-941A-A
<b>Document title</b>	A800 SEARCH LIGHT SYSTEM - Illustrated Parts Data
<b>Issue number</b>	035
<b>Issue date</b>	2021-05-31
<b>Reason for update</b>	Changed - Technical change
<b>Quality assurance</b>	tabtop
<b>Effectivity</b>	ENH - K0363 Search light (XP) system kit P/N 4G3340F01311 LN - K0363 Search light (XP) system kit P/N 4G3340F01311 ENH - K0388 Search light (A800) system kit P/N 4G3340F02411 PLUS - K0388 Search light (A800) system kit P/N 4G3340F02411 LN - K0388 Search light (A800) system kit P/N 4G3340F02411 ENH - K0389 Search light (A800) system kit P/N 4G3340F02412 PLUS - K0389 Search light (A800) system kit P/N 4G3340F02412 LN - K0389 Search light (A800) system kit P/N 4G3340F02412 PLUS - K0629 Search light (A800) system kit P/N 4G3340F02413 PLUS - K0630 Search light (A800) system kit P/N 4G3340F02414