

Cockpit seat - Replacement of components

Table of contents

- [References](#)
- [Preliminary Requirements](#)
- [Procedure](#)
- [Requirements After Job Completion](#)

List of tables

- 1 [References](#)
- 2 [Access points](#)
- 3 [Zones](#)
- 4 [Required Conditions](#)
- 5 [Support Equipment](#)
- 6 [Supplies](#)
- 7 [Spares](#)

List of figures

- 1 [Cockpit seat installation - Replacement of components](#)

References

Table 1 References

Data Module	Title
39-A-00-20-00-00A-120A-A	Helicopter safety - Pre-operation (make helicopter safe for maintenance)
39-A-25-11-02-00A-720A-A	Left cockpit seat - Install procedure
39-A-25-11-02-00A-520A-A	Left cockpit seat - Remove procedure
39-A-25-11-01-00A-720A-A	Right cockpit seat - Install procedure
39-A-25-11-01-00A-520A-A	Right cockpit seat - Remove procedure

Table 2 Access points

Access Panel / Door Id	Data Module
No Access Point	

Table 3 Zones

Zone ID	Data Module
No Zones	

Preliminary Requirements

Required Conditions

Table 4 Required Conditions

Conditions	Data Module/Technical Publication
The helicopter must be safe for maintenance	39-A-00-20-00-00A-120A-A

Support Equipment

Table 5 Support Equipment

Nomenclature
No Support Equipment

Supplies

Table 6 Supplies

Nomenclature

No Supplies

Spares

Table 7 Spares

Nomenclature	Identification No.	Qty
Headrest	25-11-01-01-011	AR
Rear fairing	25-11-01-01-009	AR
Pan cushion	25-11-01-01-008	AR
Backrest cushion	25-11-01-01-010	AR
Back support	25-11-01-01-008D	AR

Safety Conditions

No Safety Condition

Procedure

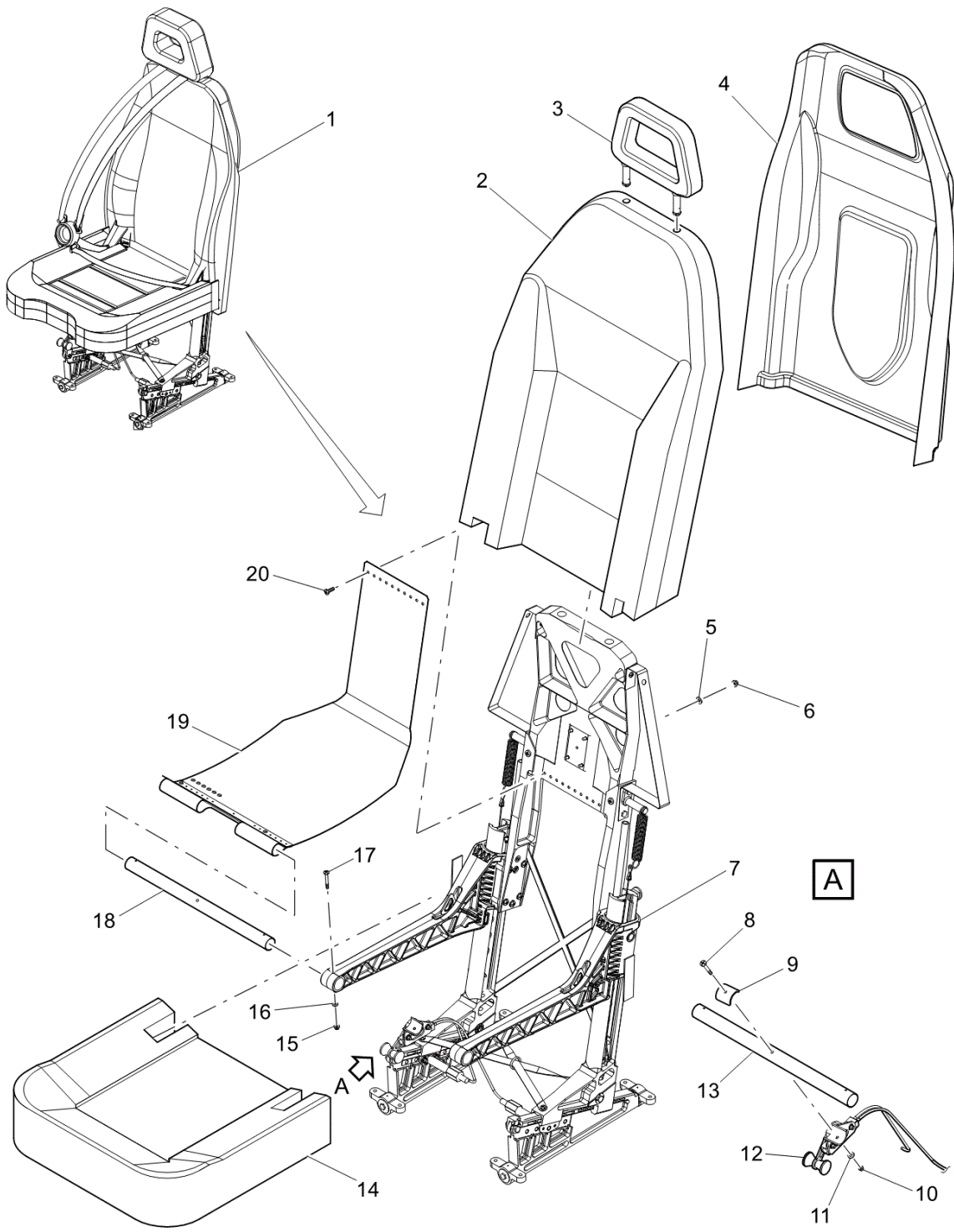
- 1 Remove the right and/or the left cockpit seat. Refer to the data modules [39-A-25-11-01-00A-520A-A](#) and/or [39-A-25-11-02-00A-520A-A](#).
- 2 Put the cockpit seat (1, [Figure 1](#)) on the applicable working table.
- 3 Replacement of the headrest (3):
 - 3.1 Push the two headrest support-tube stoppers below the headrest (3).
 - 3.2 At the same time, lift the headrest (3) to remove it from the seat structure (7).
 - 3.3 Put the new [Headrest \(25-11-01-01-011\)](#) (3) in its position on the seat structure (7). Make sure that the two headrest support-tube stoppers are aligned with the holes on the seat structure (7).
- Note**

The headrest can be adjusted in height by the stoppers on the headrest support tube.
- 3.4 Push the two headrest support-tube stoppers into the seat structure (7) until the headrest (3) touches the backrest cushion (2).
- 4 Replacement of the rear fairing (4):
 - 4.1 Release the Velcro straps of the rear fairing (4) from the seat structure (7) (left and right sides).
 - 4.2 Carefully pull the rear fairing (4) to remove it from the rear side of the seat structure (7).
 - 4.3 Install the new [Rear fairing \(25-11-01-01-009\)](#) (4) on the rear side of the seat structure (7).
 - 4.4 Attach the rear fairing (4) to the seat structure (7) (left and right sides) with the Velcro straps.
- 5 Replacement of the backrest cushion (2):
 - 5.1 Do the applicable procedure of the [Step 4](#) to remove the rear fairing (4) from the seat structure (7).
 - 5.2 Pull the backrest cushion (2) to release it from the Velcro straps.
 - 5.3 Remove the backrest cushion (2) from the seat structure (7).
 - 5.4 Install the new [Backrest cushion \(25-11-01-01-010\)](#) (2) on the seat structure (7).
 - 5.5 Attach the backrest cushion (2) to the seat structure (7) with the Velcro straps.
- 6 Replacement of the pan cushion (14):
 - 6.1 Pull forward the pan cushion (14) to release it from the Velcro straps.
 - 6.2 Remove the pan cushion (14) from the seat structure (7).
 - 6.3 Install the new [Pan cushion \(25-11-01-01-008\)](#) (14) on the seat structure (7).
 - 6.4 Attach the pan cushion (14) to the seat structure (7) with the Velcro straps.
- 7 Replacement of the back support (19):
 - 7.1 Do the applicable procedure of the [Step 3](#) to remove the headrest (3) from the seat structure.
 - 7.2 Do the applicable procedure of the [Step 4](#) to remove the rear fairing (4) from the seat structure.
 - 7.3 Do the applicable procedure of the [Step 5](#) to remove the backrest cushion (2) from the seat structure.
 - 7.4 Do the applicable procedure of the [Step 6](#) to remove the pan cushion (14) from the seat structure.

- 7.5 Remove these parts that attach the seat lock system (12) to the cross tube (18):
- The nut (10)
 - The washer (11)
 - The screw (8)
 - The doubler (9).
- 7.6 Move away the seat lock system (12) from the cross tube (18).
- 7.7 Remove the two nuts (15), the two washers (16) and the two screw (17) that attach the opposite sides of the cross tube (18) to the fittings of the seat structure (7).
- 7.8 Remove the cross tube (18) from the fittings of the seat structure (7) and the forward side of the back support (19).
- 7.9 Remove the ten nuts (6), the ten washers (5) and the ten screws (20) that attach the rear side of the back support (19) to the seat structure (7).
- 7.10 Put the rear side of the new [Back support \(25-11-01-01-008D\)](#) (19) in its position on the seat structure (7).
- 7.11 Attach the rear side of the back support (19) to the seat structure (7) with the ten screws (20), the ten washers (5) and the ten nuts (6).
- 7.12 Torque the ten nuts (6) to 0.23 N m (2.0 lbf in).
- 7.13 Put the cross tube (18) through the forward side of the back support (19) and the fittings of the seat structure (7).
- 7.14 Attach the opposite sides of the cross tube (18) to the fittings of the seat structure (7) with the two screw (17), the two washers (16) and the two nuts (15).
- 7.15 Torque the two nuts (15) to 0.23 N m (2.0 lbf in).
- 7.16 Put the seat lock system (12) in its position on the middle side of the cross tube (18). Make sure that the hole of the seat lock system (12) and that of the cross tube (18) are aligned.
- 7.17 Attach the seat lock system (12) to the cross tube (18) with these parts:
- The doubler (9)
 - The screw (8)
 - The washer (11)
 - The nut (10).
- 7.18 Torque the nut (10) to 0.23 N m (2.0 lbf in).
- 7.19 Do the applicable procedure of the [Step 6](#) to install the pan cushion (14) on the seat structure.
- 7.20 Do the applicable procedure of the [Step 5](#) to install the backrest cushion (2) on the seat structure.
- 7.21 Do the applicable procedure of the [Step 4](#) to install the rear fairing (4) on the seat structure.
- 7.22 Do the applicable procedure of the [Step 3](#) to install the headrest (3) on the seat structure.
- 8 Remove the cockpit seat from the working table.
- 9 Install the right and/or the left cockpit seat. Refer to the data modules [39-A-25-11-01-00A-720A-A](#) and/or [39-A-25-11-02-00A-720A-A](#).

Requirements After Job Completion

- 1 Remove all the tools and the other items from the work area. Make sure that the work area is clean.



ICN-39-A-251100-G-00001-36023-A-001-01

Figure 1 Cockpit seat installation - Replacement of components

Document Status and Identification

Document Code: 39-A-25-11-00-00A-92AA-A
Document Title: Cockpit seat - Replacement of components
Issue Number: 001
Issue Date: 2022-03-07
RFU:
QA: tabtop
Effectivity: SN, LN, ENH, PLUS