



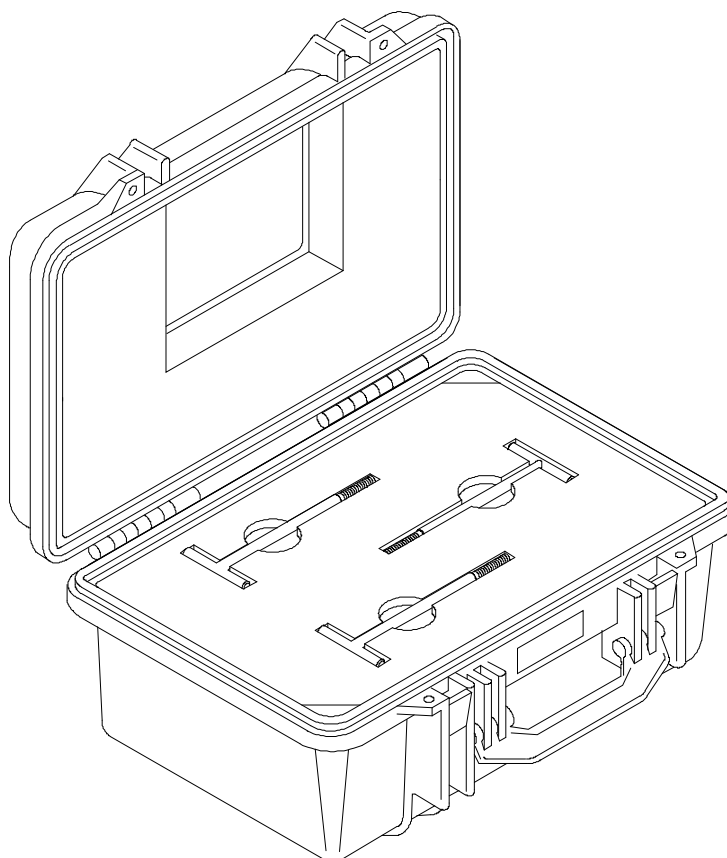
**GSE & TOOL
USE AND MAINTENANCE MANUAL**

Manual number:
**MAN-3G6005G00431
REV. A**

Pag. 1 of 18

GSE & TOOL MANUAL

TITLE	JACKSCREWS KIT P/N 3G6005G00431
--------------	--



	GSE & TOOL USE AND MAINTENANCE MANUAL	Manual number: MAN-3G6005G00431 REV. A
		Pag. 2 of 18

REVISION HISTORY

REV	CHANGE DESCRIPTION	DATE
A	First issue	02/11/2021

SUMMARY

SUMMARY	3
LIST OF TABLE	4
LIST OF FIGURE	4
1. SCOPE	5
1.1. APPLICABILITY	5
1.2. OBJECT	5
1.3. WARNING AND SAFETY INSTRUCTIONS	5
2. DOCUMENTS	6
2.1. APPLICABLE DOCUMENTS	6
2.2. ACRONYMS USED	6
3. DESCRIPTION	7
4. TOP ASSEMBLY DRAWINGS	8
5. IDENTIFICATION	8
6. OVERALL DIMENSIONS	8
7. WEIGHT	8
8. MAIN PARTS	9
9. MAIN FEATURES DESCRIPTION	9
10. WARNING AND SAFETY NOTES	10
10.1. WARNING NOTE	10
10.2. SAFETY NOTES	11
11. STORAGE	12
11.1. LUBRICATION BEFORE STORAGE	12
11.2. STORAGE CONFIGURATION	12
12. MAINTENANCE	12
12.1. CLEANING	12
12.1.1. SPECIAL TOOLS, FIXTURE AND EQUIPMENT	12
12.1.2. PART REQUIREMENTS	12
12.1.3. MANUAL CLEANING	12
12.2. CHECKS	13
12.2.1. SPECIAL TOOLS, FIXTURE AND EQUIPMENT	13
12.2.2. VISUAL EXAMINATION	13
12.2.3. PERIODICAL CHECKS	14
12.2.4. DIMENSIONAL CHECKS	14
12.2.5. SPECIAL CHECKS SUMMARY	14
12.3. REPLACEMENT	14
12.3.1. REPLACEMENT PROCEDURES	14

	GSE & TOOL USE AND MAINTENANCE MANUAL	Manual number: MAN-3G6005G00431 REV. A
		Pag. 4 of 18

13.	CALIBRATION	14
14.	SHELF LIFE	14
15.	SPARE PARTS	15
16.	CE MARKING.....	17
	ANNEX A.....	18

LIST OF TABLE

Table 1 – Warning Instruction	5
Table 2 – Applicable Documents.....	6
Table 3 – Warning Note.....	10
Table 4 – Visual Check.....	13
Table 5 – Spare Parts.....	16

LIST OF FIGURE

<i>Figure 1 – Tool kit, jackscrews kit</i>	<i>7</i>
<i>Figure 2 – LHD Identification tag with P/N</i>	<i>8</i>
Figure 3 – Main Parts	9
<i>Figure 4 – Safety Notes.....</i>	<i>11</i>
Figure 5 – Spare Parts	15

1. SCOPE

1.1. APPLICABILITY

The contents of this document are meant to provide information on the P/N 3G6005G00431 JACKSCREWS KIT.

1.2. OBJECT

The object of this document is to describe the AGE and its components, its main features and it will also provide all needed maintenance requirements to keep in service the 3G6005G00431 JACKSCREWS KIT.

1.3. WARNING AND SAFETY INSTRUCTIONS

A number of symbols are used throughout this document to indicate information to which the user should pay attention to. These are indicated below along with the specific meaning.




 Warning	...Indicates a danger that might arise from a product and might result in severe injuries or even death, if no precautions are taken.
 Caution	... Indicates a potentially dangerous situation, which might result injury or damage to the equipment.
 Notice	...Indicates a note providing information to help the reader during the procedure.

Table 1 – Warning Instruction

	GSE & TOOL USE AND MAINTENANCE MANUAL	Manual number: MAN-3G6005G00431 REV. A
		Pag. 6 of 18

2. DOCUMENTS

2.1. APPLICABLE DOCUMENTS

The following table lists the applicable documents

REF	REFERENCE OF DOCUMENT	TITLE
N.A.	N.A.	N.A.

Table 2 – Applicable Documents

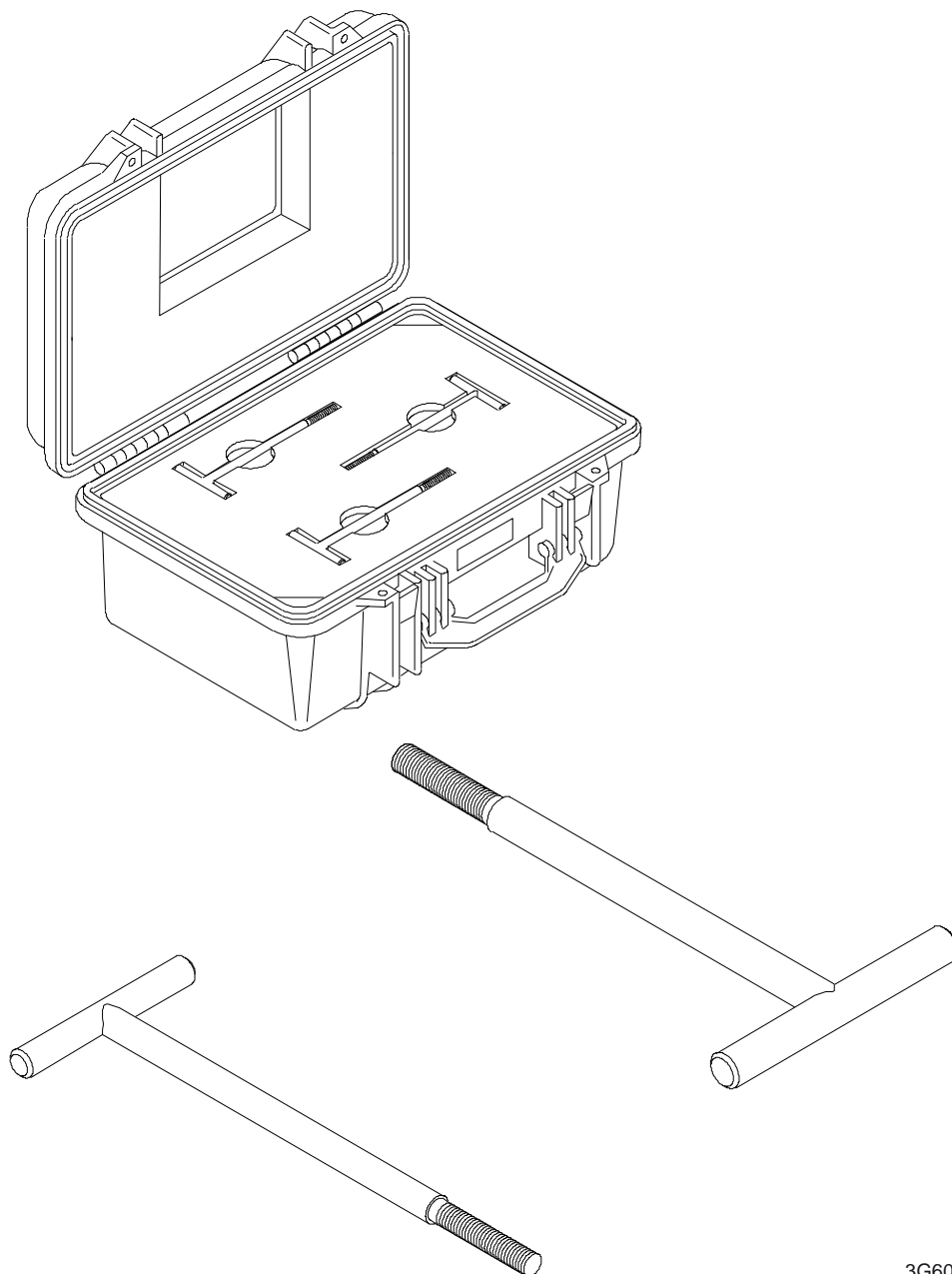
2.2. ACRONYMS USED

The main acronyms used in this document are listed below:

LHD	Leonardo Helicopter Division
HC	Helicopter
P/N	Part Number
S/N	Serial Number
N.A.	Not Applicable
MGB	Main Gear Box
M/R	Main Rotor

3. DESCRIPTION

The function of this tool is to remove the cover oil jet assy to create the access to the freewheel component. It is also used to perform the corrective maintenance replacement activities of the MGB oil lubricating oil pumps and the lip-seal of the upper case and mast assy. Used to disconnect and remove the main gearbox components from the main gearbox assy and during the maintenance repair and overhaul activities.



3G6005G00431_1

Figure 1 – Tool kit, jackscrews kit

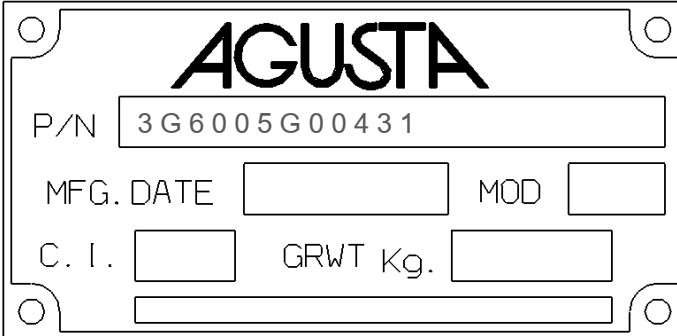
	GSE & TOOL USE AND MAINTENANCE MANUAL	Manual number: MAN-3G6005G00431 REV. A
		Pag. 8 of 18

4. TOP ASSEMBLY DRAWINGS

Refer to P/N 3G6005G00431 JACKSCREWS KIT.

5. IDENTIFICATION

The tool identification P/N is marked on the LHD identification tag.



The image shows a rectangular identification tag with rounded corners and four circular mounting holes. At the top center, the word "AGUSTA" is printed in a large, bold, sans-serif font. Below this, there are several fields for identification data:

- A long rectangular box containing the P/N "3G6005G00431".
- Two smaller boxes: "MFG. DATE" followed by an empty box, and "MOD" followed by an empty box.
- Two more boxes: "C. I." followed by an empty box, and "GRWT Kg." followed by an empty box.
- At the bottom, there is a long, narrow empty rectangular box.

Figure 2 – LHD Identification tag with P/N

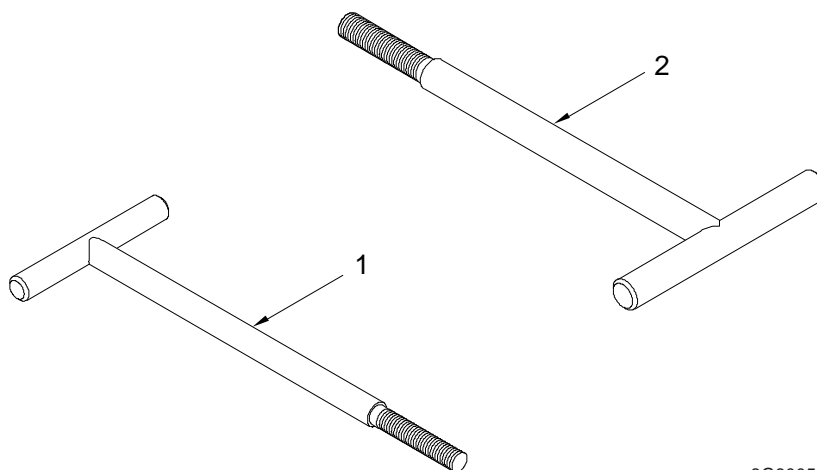
6. OVERALL DIMENSIONS

- Length: 270 mm
- Width: 246 mm
- Height: 124 mm

7. WEIGHT

- Total Weight: Not Available.

8. MAIN PARTS



3G6005G00431_2

Figure 3 – Main Parts

The main parts of the JACKSCREWS KIT are:

1. Three Jackscrew (.2500-28 UNJF-3A)
2. Three Jackscrew (.3125-24 UNJF-3A)

9. MAIN FEATURES DESCRIPTION

The kit supplied in a suitable transportation box, is composed of the following jackscrews:

- Jackscrew (1, [Figure 3](#)) used as a puller through a proper threaded hole, to disconnect and remove from the main gearbox assy the following components:
 - o upper case seal-housing and lip-seal
 - o lubricating oil pump
 - o freewheel cover.
- Jackscrew (2, [Figure 3](#)) used as a puller through a proper insert screw thread hole, to disconnect and remove the M/R servoactuator fitting from the case of the main gearbox assy. It is provided with a male-threaded-end for thread.

10. WARNING AND SAFETY NOTES

10.1. WARNING NOTE







 Warning	<p>Use this equipment only for the purpose that it is designed for. Any other use can result in injury or serious material damage to the components.</p>
 Caution	
 Notice	<p>The Manual can never integrally replace the adequate competence of the user.</p>
 Warning	<p>Before and after each use of the equipment is necessary to perform the checks required. Do not operate with a tool damaged or partially completed, or partially assembled.</p>
 Caution	
 Notice	<p>This Manual provides guidelines and instructions of the equipment that are in addition to - but are not intended to replace or modify but only to integrate - any general or specific rule, regulation, decree or law that is in force in the place where the equipment is in use.</p>

Table 3 – Warning Note

10.2. SAFETY NOTES

Remember to wear protective overalls, safety shoes, protective gloves and glasses during all operational and maintenance phases.



Figure 4 – Safety Notes

11. STORAGE

The Tool shall be properly stored to provide protection from external weather conditions, damage and dirty particles.

The Kit shall be stored in the dedicated transportation box (part of the Kit).

Ensure that the tool parts are clean before storage.

11.1. LUBRICATION BEFORE STORAGE

Apply the Grease (MIL-PRF-23827) on all threaded parts before tool storage.

11.2. STORAGE CONFIGURATION

The tool has no particular storage configuration.

12. MAINTENANCE

NOTE: Correct regular maintenance allows preventing most faults and safeguards of tool performance in time, thereby making it last longer.

Every year carry out regular maintenance on a regular basis as detailed in this manual.

NOTE: Inspection intervals for tool parts placed inside in ready storage is 12 months.

12.1. CLEANING

Before inspection and after each use, carry out the cleaning of the tool components.

12.1.1. SPECIAL TOOLS, FIXTURE AND EQUIPMENT

No special tools, fixture and equipment are required for cleaning.

12.1.2. PART REQUIREMENTS

The parts to clean should be free from the moisture, emulsified water, soaps and metal shavings that can develop of corrosive acids.

They must also be free from wide grease and / or slosh deposits.

12.1.3. MANUAL CLEANING

- A. Clean thoroughly all metal surfaces with a clean lint-free cloth (Local supply) moistened with Cleaning Solvent (MIL-PRF-680C, Type II) to do general spot cleaning of large groups areas. For nylon or Teflon surfaces, the use of a biodegradable, water dilutable cleaning compound (MIL-PRF-87937 D, Type II) is required.
- B. Repeat the cleaning process again by means another clean lint-free cloth (Local supply).
- C. Drying.
 - Verify that the solvent should not be trapped in the cavity. Normally, the solvent evaporates at room temperature in a satisfactory manner.

12.2. CHECKS

Before and after each use or at least every year, carry out the check of kit component.

Before each use ensure that the manual is available to the operator, in the event of loss, request a copy to Leonardo Helicopters Division.

The Tool kit shall be submitted to following checks to guarantee the functionality.

All required checks shall be registered on CHECK RECORDS Table. Ref. *TLC_Table 1*

After each use of tool ensure to have registered the number of uses on HISTORICAL USES RECORD Table. Ref. *TLC_Table 2*

The Tool Log Card template contained in the Annex A of this manual can be replaced with any other log card template in use in the plant where the equipment is in use.

12.2.1. SPECIAL TOOLS, FIXTURE AND EQUIPMENT

No special tools, fixture and equipment are required for the checks.

12.2.2. VISUAL EXAMINATION

NOTE: Replace the parts that do not obey the inspection requirements.

Restore the marking of the parts that results damaged or not readable.

All required visual checks are listed on Table 4

PERIODICITY	CHECK TYPE	COMPONENTS	
BEFORE AND AFTER EVERY USE	VISUAL EXAMINATION	Evidence of impact;	All
		Crushing or stripping	All
		Cracks	All
		Dents	All
		Wear	All
		Distortions	All
		Corrosion	All
		Loose or defective attaching parts (warning flag)	All
		Unsticking of parts	Item 2, Plate, Figure 5 , page 15 Item 4, Nameplate, Figure 5 , page 15
		Damage to the threads	All
		Marking	All
		Damage to the pins and to the shell	N.A.
Damage to the insulation sleeves and wires	N.A.		

Table 4 – Visual Check



GSE & TOOL USE AND MAINTENANCE MANUAL

Manual number:
MAN-3G6005G00431
REV. A

Pag. 14 of 18

12.2.3. PERIODICAL CHECKS

Not Applicable.

12.2.4. DIMENSIONAL CHECKS

Not Applicable.

12.2.5. SPECIAL CHECKS SUMMARY

Not Applicable.

12.3. REPLACEMENT

All the parts for which it is allowed the components replacement are listed in Paragraph 15.

12.3.1. REPLACEMENT PROCEDURES

The replacement of parts of the kit does not require specific procedures.

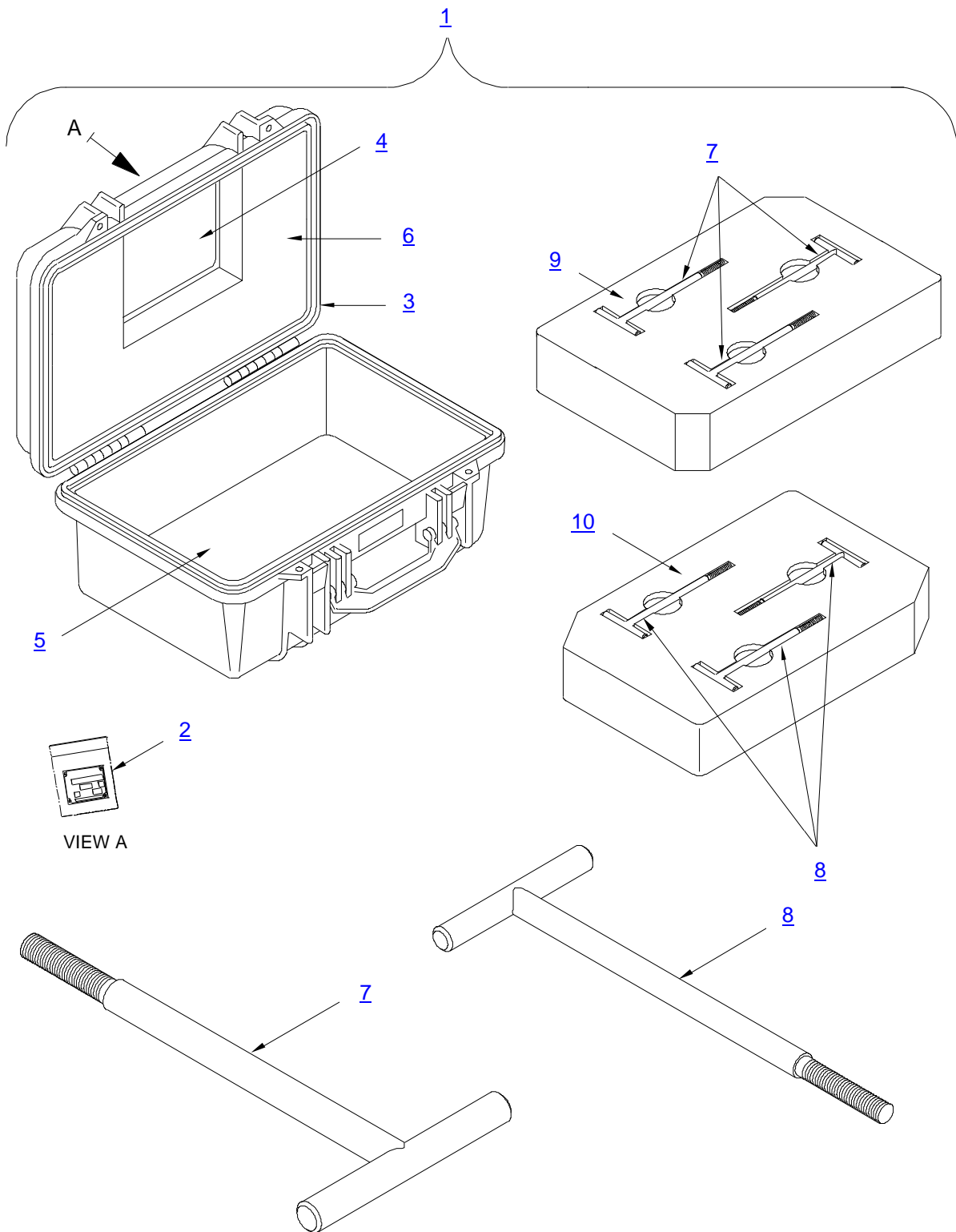
13. CALIBRATION

No Calibration is required.

14. SHELF LIFE

Not Applicable.

15. SPARE PARTS



3G6005G00431_3

Figure 5 – Spare Parts



GSE & TOOL USE AND MAINTENANCE MANUAL

Manual number:
MAN-3G6005G00431
REV. A

Pag. 16 of 18

ITEM	P/N	DESCRIPTION	Q.TY
1	3G6005G00431	JACKSCREWS KIT	REF.
2	A304A001A1	PLATE, IDENTIFICATION	1
3	1200	BOX, SMALL PARTS	1
4	3G0205G00191	NAMEPLATE	1
5	3G6005G00451	FOAM	1
6	3G6005G00452	FOAM	1
7	3G6005G00531	JACKSCREW	3
8	3G6005G00631	JACKSCREW	3
9	3G6005G01231	PANEL ASSY	1
10	3G6005G01331	PANEL ASSY	1

Table 5 – Spare Parts

	GSE & TOOL USE AND MAINTENANCE MANUAL	Manual number: MAN-3G6005G00431 REV. A Pag. 17 of 18
---	--	---

16. CE MARKING

No CE marking is required for the P/N 3G6005G00431 JACKSCREWS KIT.



GSE & TOOL
USE AND MAINTENANCE MANUAL

Manual number:
MAN-3G6005G00431
REV. A

Pag. 18 of 18

ANNEX A

TOOL LOG CARD



TOOL LOG CARD

ISSUE -/
Pag. 1 of 3

TOOL KIT P/N: [1]	TOOL KIT DESCRIPTION: [2]	TOOL KIT S/N: [3]
TOOL P/N: [4]	TOOL S/N: [5]	REMARKS: [6]

Section 1: CHECKS RECORD

[7] N° check	[8] DATE	[9] P/N TO CHECK	[10] CHECK	[11] FREQUENCY	[12] RESULT	[13] NOTE	CERTIFICATION [14]
							STAMP & SIGNATURE [15]
1							
2							
3							
4							
5							
6							
7							
8							
9							
10							
FINAL ACCEPTANCE [16]							
STAMP & SIGNATURE [17]						DATE [18]	

TLC_Table 1



TOOL LOG CARD

ISSUE -/-
Pag. 2 of 3

TOOL KIT P/N: [1]	TOOL KIT DESCRIPTION: [2]	TOOL KIT S/N: [3]
TOOL P/N: [4]	TOOL S/N: [5]	REMARKS: [6]

Section 2: HISTORICAL USES RECORD

[19] N°USE	[8] DATE	[6] NOTE	[13] CERTIFICATION	[19] N°USE	[8] DATE	[6] NOTE	[13] CERTIFICATION
			[14] STAMP & SIGNATURE				[14] STAMP & SIGNATURE
1				11			
2				12			
3				13			
4				14			
5				15			
6				16			
7				17			
8				18			
9				19			
10				20			

TLC_Table 2

LOG CARD FILLING INSTRUCTIONS

FIELD #	HEADER	NOTE
1	Part number of the tool Kit	
2	Tool Kit denomination	
3	Serial Number of the tool Kit	
4	Part Number of the tool (part of kit)	
5	Serial Number of the tool (if applicable)	
6	Indicate any details of the use	
7	Sequential number of check performed	
8	Date of the activity	
9	PN of tool or component (part of tool) checked/affected by issue	
10	Typology or description of checks /issue	
11	Check frequency	
12	Check result	
13	Check remarks	
14	Performance certification	
15	Stamp and signature of the personnel which performs the check	
16	Section related to the final approval	
17	Stamp and signature of the personnel which performs the final approval	
18	Date on which the final check was made	
19	Sequential number of performed used of the tool	