



GSE & TOOL USE AND MAINTENANCE MANUAL

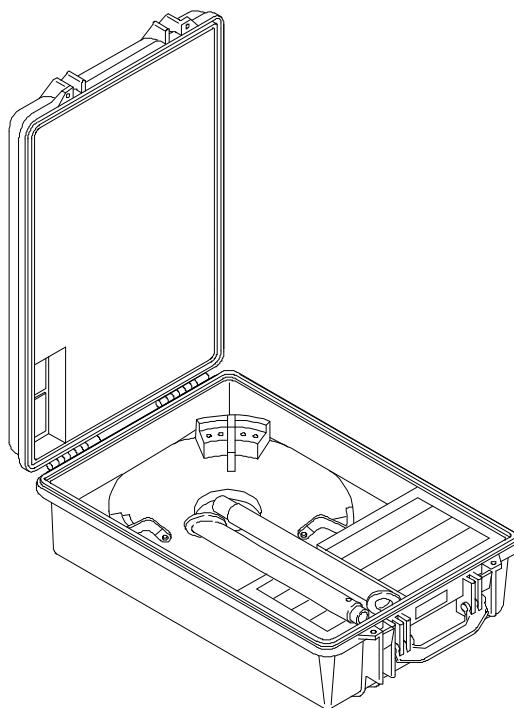
Manual number:
MAN-3G6205G11532
REV. A

Pag. 1 of 21

GSE & TOOL MANUAL

TITLE

**TRANSPORTABLE STAND, SWASHPLATE SUPPORT
P/N 3G6205G11532**



	GSE & TOOL USE AND MAINTENANCE MANUAL	Manual number: MAN-3G6205G11532 REV. A
		Pag. 2 of 21

REVISION HISTORY

REV	CHANGE DESCRIPTION	DATE
A	First issue	29/10/2021

SUMMARY

SUMMARY	3
LIST OF TABLE	4
LIST OF FIGURE	4
1. SCOPE	5
1.1. APPLICABILITY	5
1.2. OBJECT	5
1.3. WARNING AND SAFETY INSTRUCTIONS	5
2. DOCUMENTS	6
2.1. APPLICABLE DOCUMENTS	6
2.2. ACRONYMS USED	6
3. DESCRIPTION	7
4. TOP ASSEMBLY DRAWINGS	7
5. IDENTIFICATION	7
6. OVERALL DIMENSIONS	8
7. WEIGHT	8
8. MAIN PARTS	9
9. MAIN FEATURES DESCRIPTION	9
10. WARNING AND SAFETY NOTES	10
10.1. WARNING NOTE	10
10.2. SAFETY NOTES	11
11. STORAGE	12
11.1. LUBRICATION BEFORE STORAGE	12
11.2. STORAGE CONFIGURATION	12
12. MAINTENANCE	12
12.1. CLEANING	12
12.1.1. SPECIAL TOOLS, FIXTURE AND EQUIPMENT	12
12.1.2. PART REQUIREMENTS	12
12.1.3. MANUAL CLEANING	12
12.2. CHECKS	13
12.2.1. SPECIAL TOOLS, FIXTURE AND EQUIPMENT	13
12.2.2. VISUAL EXAMINATION	13
12.2.3. PERIODICAL CHECKS	14
12.2.4. DIMENSIONAL CHECKS	14
12.2.5. SPECIAL CHECKS SUMMARY	14
12.3. REPLACEMENT	14
12.3.1. REPLACEMENT PROCEDURES	14

	GSE & TOOL USE AND MAINTENANCE MANUAL	Manual number: MAN-3G6205G11532 REV. A
		Pag. 4 of 21

13.	CALIBRATION	14
14.	SHELF LIFE	14
15.	SPARE PARTS	15
16.	CE MARKING.....	20
	ANNEX A.....	21

LIST OF TABLE

Table 1 – Warning Instruction	5
Table 2 – Applicable Documents.....	6
Table 3 – Warning Note.....	10
Table 4 – Visual Check.....	13
Table 5 – Spare Parts.....	16
Table 6 – Spare Parts.....	17
Table 7 – Spare Parts.....	19

LIST OF FIGURE

<i>Figure 1 – Transportable stand, swashplate support.....</i>	<i>7</i>
<i>Figure 2 – LHD Identification tag with P/N</i>	<i>7</i>
<i>Figure 3 – Main Parts</i>	<i>9</i>
<i>Figure 4 – Safety Notes.....</i>	<i>11</i>
<i>Figure 5 – Spare Parts</i>	<i>15</i>
<i>Figure 6 – Spare Parts</i>	<i>17</i>
<i>Figure 7 – Spare Parts</i>	<i>18</i>

1. SCOPE

1.1. APPLICABILITY

The contents of this document are meant to provide information on the P/N 3G6205G11532 TRANSPORTABLE STAND, SWASHPLATE SUPPORT.

1.2. OBJECT

The object of this document is to describe the AGE and its components, its main features and it will also provide all needed maintenance requirements to keep in service the P/N 3G6205G11532 TRANSPORTABLE STAND, SWASHPLATE SUPPORT.

1.3. WARNING AND SAFETY INSTRUCTIONS

A number of symbols are used throughout this document to indicate information to which the user should pay attention to. These are indicated below along with the specific meaning.




 Warning	...Indicates a danger that might arise from a product and might result in severe injuries or even death, if no precautions are taken.
 Caution	... Indicates a potentially dangerous situation, which might result injury or damage to the equipment.
 Notice	...Indicates a note providing information to help the reader during the procedure.

Table 1 – Warning Instruction

	GSE & TOOL USE AND MAINTENANCE MANUAL	Manual number: MAN-3G6205G11532 REV. A
		Pag. 6 of 21

2. DOCUMENTS

2.1. APPLICABLE DOCUMENTS

The following table lists the applicable documents

REF	REFERENCE OF DOCUMENT	TITLE
N.A.	N.A.	N.A.

Table 2 – Applicable Documents

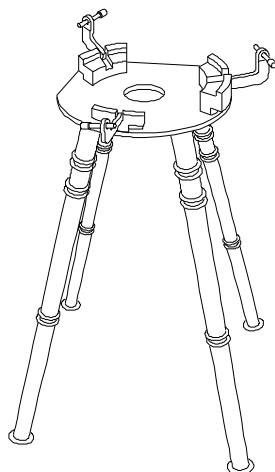
2.2. ACRONYMS USED

The main acronyms used in this document are listed below:

LHD	Leonardo Helicopter Division
HC	Helicopter
P/N	Part Number
S/N	Serial Number
N.A.	Not Applicable

3. DESCRIPTION

This tool is used to do the repair activities on the swashplate assy by replacing the duplex ball bearing.



3G6205G11532_1

Figure 1 – Transportable stand, swashplate support

4. TOP ASSEMBLY DRAWINGS

Refer to P/N 3G6205G11532 TRANSPORTABLE STAND, SWASHPLATE SUPPORT.

5. IDENTIFICATION

The tool identification P/N is marked on the LHD identification tag.

AGUSTA			
P/N	3 G 6 2 0 5 G 1 1 5 3 2		
MFG. DATE	<input type="text"/>	MOD	<input type="text"/>
C. I.	<input type="text"/>	GRWT Kg.	<input type="text"/>
<input type="text"/>			

Figure 2 – LHD Identification tag with P/N



GSE & TOOL USE AND MAINTENANCE MANUAL

Manual number:
MAN-3G6205G11532
REV. A

Pag. 8 of 21

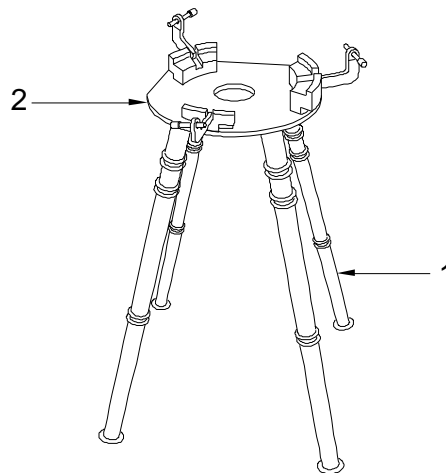
6. OVERALL DIMENSIONS

- Length: 820 mm
- Width: 520 mm
- Height: 318 mm

7. WEIGHT

- Total Weight: 39,5 kg

8. MAIN PARTS



3G6205G11532_2

Figure 3 – Main Parts

The main parts of the TRANSPORTABLE STAND, SWASHPLATE SUPPORT are:

1. Tilting stand assy.
2. Lower leg assy.

9. MAIN FEATURES DESCRIPTION

The tool kit, supplied in a suitable transportation box, is composed of the Tilting stand assy supported by the Lower leg assy. They are designed to perform the repair activities on the swashplate assy by replacing the duplex ball bearing.

10. WARNING AND SAFETY NOTES

10.1. WARNING NOTE







 Warning	<p>Use this equipment only for the purpose that it is designed for. Any other use can result in injury or serious material damage to the components.</p>
 Caution	
 Notice	<p>The Manual can never integrally replace the adequate competence of the user.</p>
 Warning	<p>Before and after each use of the equipment is necessary to perform the checks required. Do not operate with a tool damaged or partially completed, or partially assembled.</p>
 Caution	
 Notice	<p>This Manual provides guidelines and instructions of the equipment that are in addition to - but are not intended to replace or modify but only to integrate - any general or specific rule, regulation, decree or law that is in force in the place where the equipment is in use.</p>

Table 3 – Warning Note

10.2. SAFETY NOTES

Remember to wear protective overalls, safety shoes, protective gloves and glasses during all operational and maintenance phases.



Figure 4 – Safety Notes

	GSE & TOOL USE AND MAINTENANCE MANUAL	Manual number: MAN-3G6205G11532 REV. A
		Pag. 12 of 21

11. STORAGE

The Tool shall be properly stored to provide protection from external weather conditions, damage and dirty particles.

The Kit shall be stored in the dedicated transportation box (part of the Kit).

Ensure that the tool parts are clean before storage.

11.1. LUBRICATION BEFORE STORAGE

N.A.

11.2. STORAGE CONFIGURATION

The tool has no particular storage configuration.

12. MAINTENANCE

NOTE: Correct regular maintenance allows preventing most faults and safeguards of tool performance in time, thereby making it last longer.

Every year carry out regular maintenance on a regular basis as detailed in this manual.

NOTE: Inspection intervals for tool parts placed inside in ready storage is 12 months.

12.1. CLEANING

Before inspection and after each use, carry out the cleaning of the tool components.

12.1.1. SPECIAL TOOLS, FIXTURE AND EQUIPMENT

No special tools, fixture and equipment are required for cleaning.

12.1.2. PART REQUIREMENTS

The parts to clean should be free from the moisture, emulsified water, soaps and metal shavings that can develop of corrosive acids.

They must also be free from wide grease and / or slosh deposits.

12.1.3. MANUAL CLEANING

- A. Clean thoroughly all metal surfaces with a clean lint-free cloth (Local supply) moistened with Cleaning Solvent (MIL-PRF-680C, Type II) to do general spot cleaning of large groups areas. For nylon or Teflon surfaces, the use of a biodegradable, water dilutable cleaning compound (MIL-PRF-87937 D, Type II) is required.
- B. Repeat the cleaning process again by means another clean lint-free cloth (Local supply).
- C. Drying.
 - Verify that the solvent should not be trapped in the cavity. Normally, the solvent evaporates at room temperature in a satisfactory manner.

12.2. CHECKS

Before and after each use or at least every year, carry out the check of kit component.

Before each use ensure that the manual is available to the operator, in the event of loss, request a copy to Leonardo Helicopters Division.

The Tool kit shall be submitted to following checks to guarantee the functionality.

All required checks shall be registered on CHECK RECORDS Table. Ref. *TLC_Table 1*

After each use of tool ensure to have registered the number of uses on HISTORICAL USES RECORD Table. Ref. *TLC_Table 2*

The Tool Log Card template contained in the Annex A of this manual can be replaced with any other log card template in use in the plant where the equipment is in use.

12.2.1. SPECIAL TOOLS, FIXTURE AND EQUIPMENT

No special tools, fixture and equipment are required for the checks.

12.2.2. VISUAL EXAMINATION

NOTE: Replace the parts that do not obey the inspection requirements.

Restore the marking of the parts that results damaged or not readable.

All required visual checks are listed on **Errore. L'origine riferimento non è stata trovata.**

PERIODICITY	CHECK TYPE	COMPONENTS	
BEFORE AND AFTER EVERY USE	VISUAL EXAMINATION	Evidence of impact;	All
	Crushing or stripping	All	
	Cracks	All	
	Dents	All	
	Wear	All	
	Distortions	All	
	Corrosion	All	
	Loose or defective attaching parts (warning flag)	All	
	Unsticking of parts	Item 9, Plate, Figure 5 , page 15 Item 10, Nameplate, Figure 5 , page 15 Item 11, Nameplate, Figure 5 , page 15	
	Damage to the threads	All	
	Marking	All	
	Damage to the pins and to the shell	N.A.	
	Damage to the insulation sleeves and wires	N.A.	

Table 4 – Visual Check



GSE & TOOL USE AND MAINTENANCE MANUAL

Manual number:
MAN-3G6205G11532
REV. A

Pag. 14 of 21

12.2.3. PERIODICAL CHECKS

Not Applicable.

12.2.4. DIMENSIONAL CHECKS

Not Applicable.

12.2.5. SPECIAL CHECKS SUMMARY

Not Applicable.

12.3. REPLACEMENT

All the parts for which it is allowed the components replacement are listed in Paragraph 15.

12.3.1. REPLACEMENT PROCEDURES

The replacement of parts of the kit does not require specific procedures.

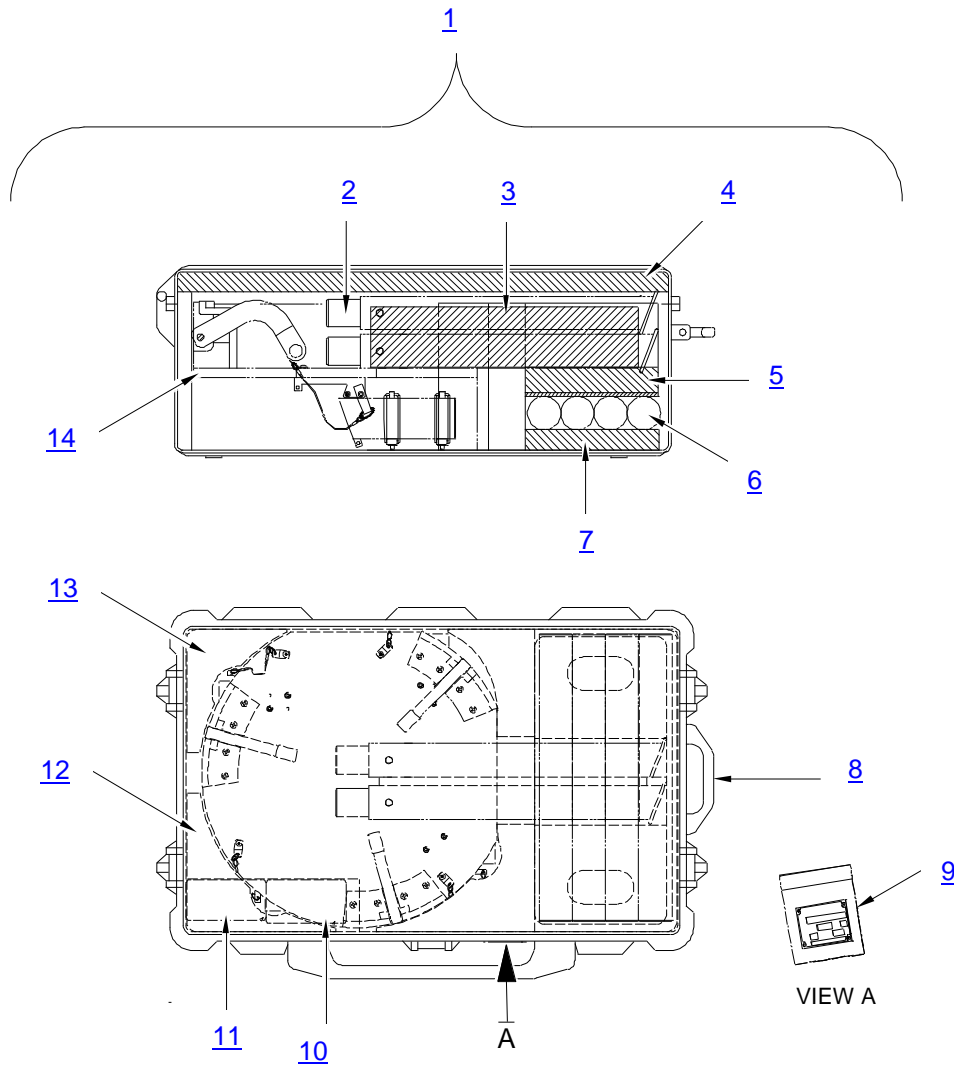
13. CALIBRATION

No Calibration is required.

14. SHELF LIFE

Not Applicable.

15. SPARE PARTS



3G6205G11532_3

Figure 5 – Spare Parts



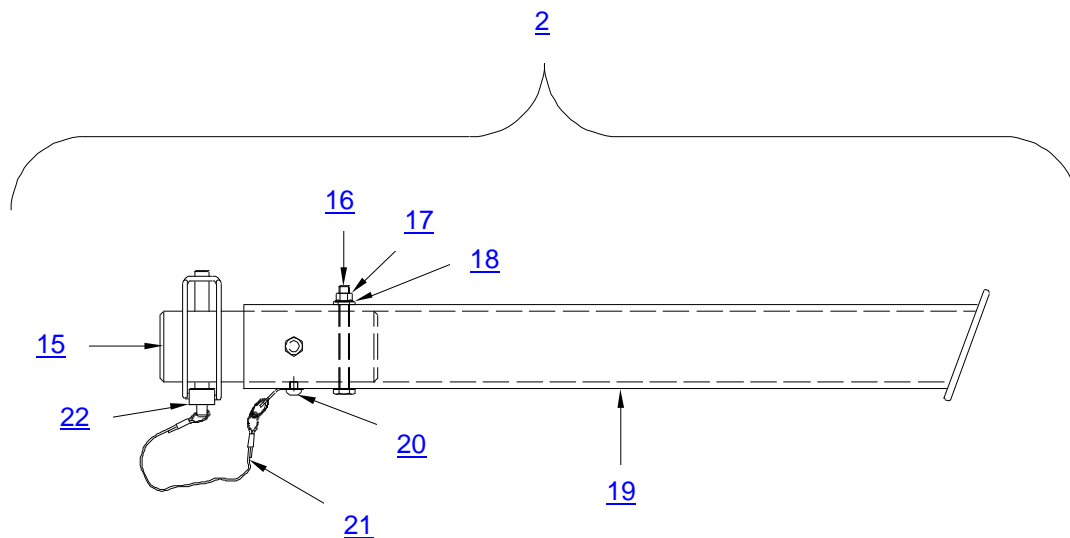
GSE & TOOL USE AND MAINTENANCE MANUAL

Manual number:
MAN-3G6205G11532
REV. A

Pag. 16 of 21

ITEM	P/N	DESCRIPTION	Q.TY
1	3G6205G11532	TRANSPORTABLE STAND, SWASHPLATE SUPPORT	REF
2	3G6205G14831	LOWER LEG ASSY (For Breakdown ref. to Fig. 6 and Table 6)	4
3	3G6205G17751	FOAM	1
4	3G6205G18351	FOAM	1
5	3G6205G17031	PANEL ASSY	1
6	3G6205G15151	UPPER LEG	4
7	3G6205G18251	FOAM	1
8	1650	CASE	1
9	A304A001A1	PLATE, IDENTIFICATION	1
10	3G0205G00451	NAMEPLATE	1
11	3G0205G00362	NAMEPLATE	1
12	3G6205G18451	FOAM	1
13	3G6205G18551	FOAM	1
14	3G6205G14032	TILTING STAND ASSY (For Breakdown ref. to Fig. 7 and Table 7)	1

Table 5 – Spare Parts

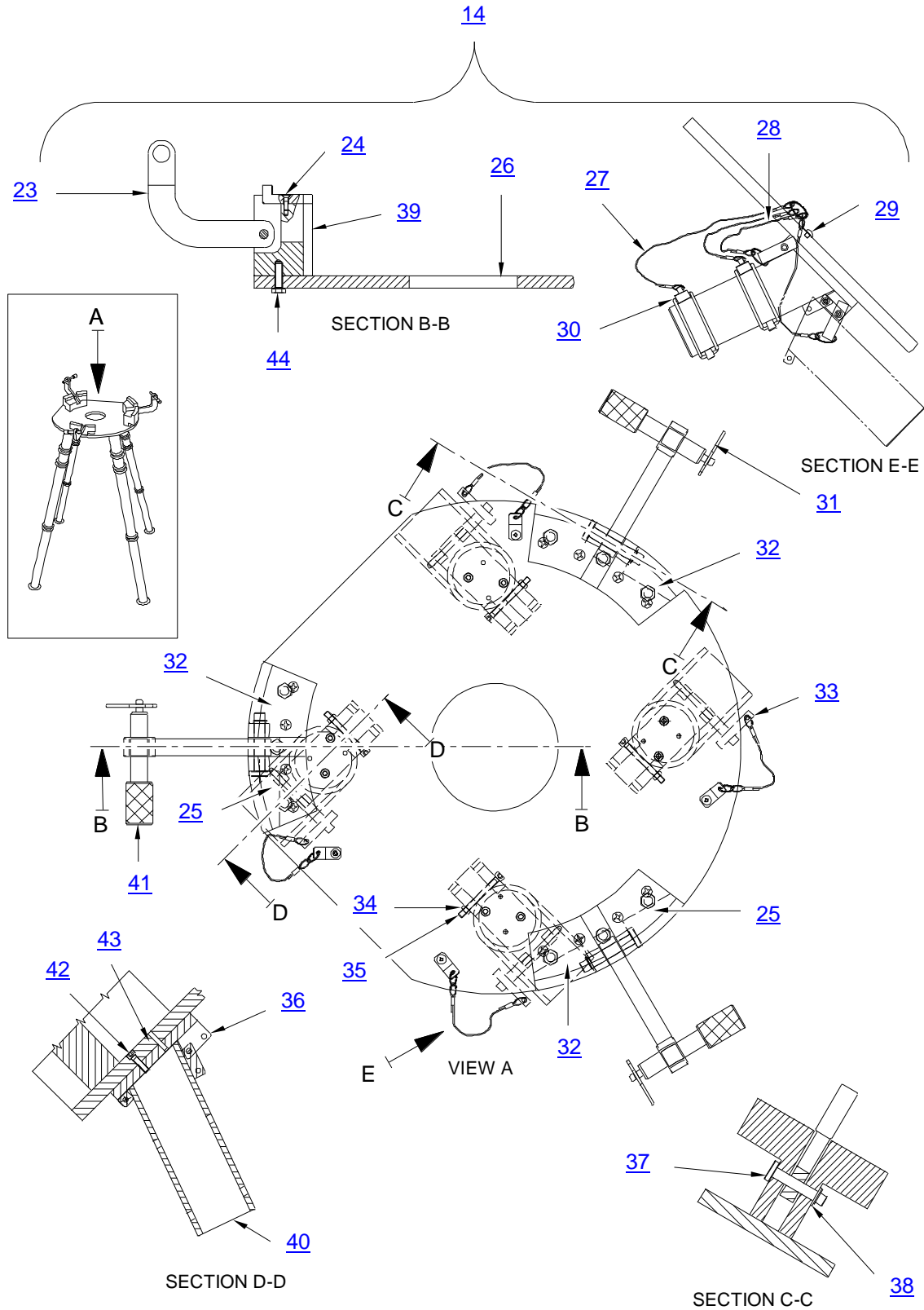


3G6205G11532_4

Figure 6 – Spare Parts

ITEM	P/N	DESCRIPTION	Q.TY
2	3G6205G14831	LOWER LEG ASSY	REF
15	3G6205G15051	UNION	1
16	AN4-23A	BOLT, MACHINE	2
17	MS21042L4	NUT, SELF-LOCKING, EXTENDED WASHER, HE	2
18	NAS1149D0463K	WASHER, FLAT	2
19	3G6205G14931	LOWER LEG	1
20	MS35207-258	SCREW	1
21	AS44445D200M	LANYARD NOMEMEX	1
22	3G6205G14731	CLAMP ASSY	1

Table 6 – Spare Parts



3G6205G11532_5

Figure 7 – Spare Parts



GSE & TOOL USE AND MAINTENANCE MANUAL

Manual number:
MAN-3G6205G11532
REV. A

Pag. 19 of 21

ITEM	P/N	DESCRIPTION	Q.TY
14	3G6205G14032	TILTING STAND ASSY	REF
23	3G6205G14651	LOCK LEVER	3
24	MS24694-S52	SCREW, MACHINE	12
25	3G6205G14552	SUPPORT BLOCK	3
26	3G6205G14151	SUPPORT PLATE	1
27	AS44445C200D	LANYARD NOMEX	8
28	AS44445D200M	LANYARD NOMEX	4
29	MS35207-258	SCREW	4
30	3G6205G14731	CLAMP ASSY	8
31	AN415-6	PIN LOCK	3
32	3G6205G21551	SUPPORT BLOCK	3
33	NAS1333A3C17	PIN, QUICK RELEASE	4
34	MS35650-302	NUT, PLAIN, HEXAGON	4
35	NAS1351-3-32P	SCREW, CAP, SOCKET HEAD	4
36	3G6205G14251	LEG SUPPORT	4
37	MS24665-283	PIN, COTTER	3
38	MS20392-5C61	PIN, STRAIGHT, HEADED	3
39	3G6205G14452	SUPPORT	3
40	3G6205G14331	FITTING ASSY	4
41	3G6205G10051	PIN	3
42	NAS1351-3-12	SCREW, CAP, SOCKET HEAD	8
43	AN122708	PIN, STRAIGHT, HEADLESS	8
44	AN5-7A	BOLT, MACHINE	9

Table 7 – Spare Parts

	GSE & TOOL USE AND MAINTENANCE MANUAL	Manual number: MAN-3G6205G11532 REV. A <hr/> Pag. 20 of 21
---	--	---

16. CE MARKING

No CE marking is required for the P/N 3G6205G11532 TRANSPORTABLE STAND, SWASHPLATE SUPPORT.



GSE & TOOL
USE AND MAINTENANCE MANUAL

Manual number:
MAN-3G6205G11532
REV. A

Pag. 21 of 21

ANNEX A

TOOL LOG CARD



TOOL LOG CARD

ISSUE -/
Pag. 1 of 3

TOOL KIT P/N: [1]	TOOL KIT DESCRIPTION: [2]	TOOL KIT S/N: [3]
TOOL P/N: [4]	TOOL S/N: [5]	REMARKS: [6]

Section 1: CHECKS RECORD

[7] N° check	[8] DATE	[9] P/N TO CHECK	[10] CHECK	[11] FREQUENCY	[12] RESULT	[13] NOTE	CERTIFICATION [14]
							STAMP & SIGNATURE [15]
1							
2							
3							
4							
5							
6							
7							
8							
9							
10							
FINAL ACCEPTANCE [16]							
STAMP & SIGNATURE [17]						DATE [18]	

TLC_Table 1



TOOL LOG CARD

ISSUE -/-
Pag. 2 of 3

TOOL KIT P/N: [1]	TOOL KIT DESCRIPTION: [2]	TOOL KIT S/N: [3]
TOOL P/N: [4]	TOOL S/N: [5]	REMARKS: [6]

Section 2: HISTORICAL USES RECORD

[19] N°USE	[8] DATE	[6] NOTE	[13] CERTIFICATION	[19] N°USE	[8] DATE	[6] NOTE	[13] CERTIFICATION
			[14] STAMP & SIGNATURE				[14] STAMP & SIGNATURE
1				11			
2				12			
3				13			
4				14			
5				15			
6				16			
7				17			
8				18			
9				19			
10				20			

TLC_Table 2

LOG CARD FILLING INSTRUCTIONS

FIELD #	HEADER	NOTE
1	Part number of the tool Kit	
2	Tool Kit denomination	
3	Serial Number of the tool Kit	
4	Part Number of the tool (part of kit)	
5	Serial Number of the tool (if applicable)	
6	Indicate any details of the use	
7	Sequential number of check performed	
8	Date of the activity	
9	PN of tool or component (part of tool) checked/affected by issue	
10	Typology or description of checks /issue	
11	Check frequency	
12	Check result	
13	Check remarks	
14	Performance certification	
15	Stamp and signature of the personnel which performs the check	
16	Section related to the final approval	
17	Stamp and signature of the personnel which performs the final approval	
18	Date on which the final check was made	
19	Sequential number of performed used of the tool	