



GSE & TOOL USE AND MAINTENANCE MANUAL

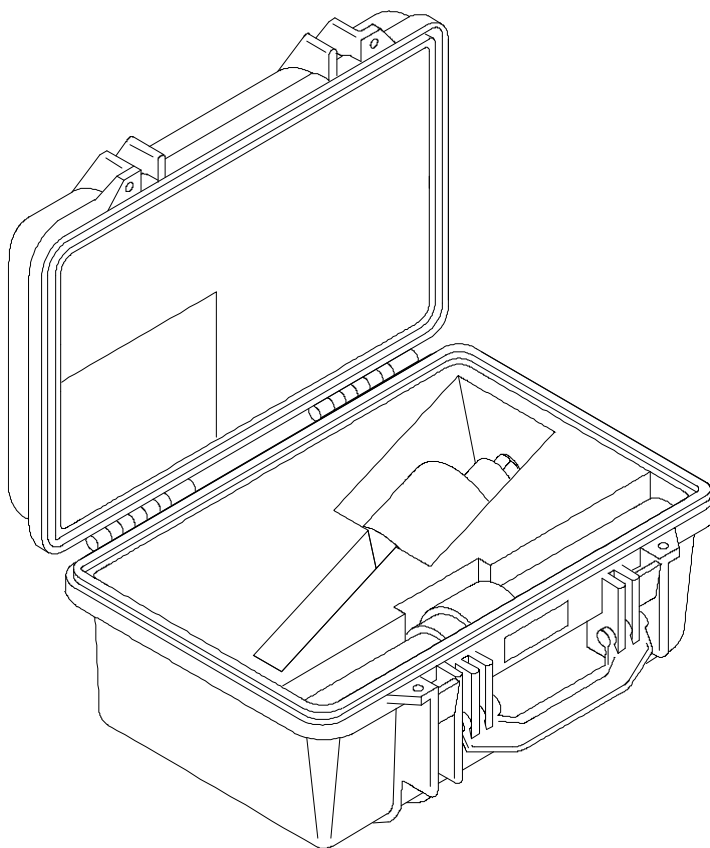
Manual number:
MAN-3G6400G00131
REV. A

Pag. 1 of 18

GSE & TOOL MANUAL

TITLE

**TOOL KIT, T/R SLIDER BUSHING REM / INSTL
P/N 3G6400G00131**



	GSE & TOOL USE AND MAINTENANCE MANUAL	Manual number: MAN-3G6400G00131 REV. A
		Pag. 2 of 18

REVISION HISTORY

REV	CHANGE DESCRIPTION	DATE
A	First issue	21/10/2021

SUMMARY

SUMMARY	3
LIST OF TABLE	4
LIST OF FIGURE	4
1. SCOPE	5
1.1. APPLICABILITY	5
1.2. OBJECT	5
1.3. WARNING AND SAFETY INSTRUCTIONS	5
2. DOCUMENTS	6
2.1. APPLICABLE DOCUMENTS	6
2.2. ACRONYMS USED	6
3. DESCRIPTION	7
4. TOP ASSEMBLY DRAWINGS	8
5. IDENTIFICATION	8
6. OVERALL DIMENSIONS	8
7. WEIGHT	8
8. MAIN PARTS	9
9. MAIN FEATURES DESCRIPTION	10
10. WARNING AND SAFETY NOTES	11
10.1. WARNING NOTE	11
10.2. SAFETY NOTES	12
11. STORAGE	13
11.1. LUBRICATION BEFORE STORAGE	13
11.2. STORAGE CONFIGURATION	13
12. MAINTENANCE	13
12.1. CLEANING	13
12.1.1. SPECIAL TOOLS, FIXTURE AND EQUIPMENT	13
12.1.2. PART REQUIREMENTS	13
12.1.3. MANUAL CLEANING	13
12.2. CHECKS	14
12.2.1. SPECIAL TOOLS, FIXTURE AND EQUIPMENT	14
12.2.2. VISUAL EXAMINATION	14
12.2.3. PERIODICAL CHECKS	15
12.2.4. DIMENSIONAL CHECKS	15
12.2.5. SPECIAL CHECKS SUMMARY	15
12.3. REPLACEMENT	15
12.3.1. REPLACEMENT PROCEDURES	15

	GSE & TOOL USE AND MAINTENANCE MANUAL	Manual number: MAN-3G6400G00131 REV. A
		Pag. 4 of 18

13.	CALIBRATION	15
14.	SHELF LIFE	15
15.	SPARE PARTS	16
16.	CE MARKING.....	17
	ANNEX A.....	18

LIST OF TABLE

Table 1 – Warning Instruction	5
Table 2 – Applicable Documents.....	6
Table 3 – Warning Note.....	11
Table 4 – Visual Check.....	14
Table 5 – Spare Parts.....	17

LIST OF FIGURE

<i>Figure 1 – Tool kit, T/R slider bushing.....</i>	<i>7</i>
<i>Figure 2 – LHD Identification tag with P/N</i>	<i>8</i>
<i>Figure 3 – Main Parts</i>	<i>9</i>
<i>Figure 4 – Safety Notes.....</i>	<i>12</i>
<i>Figure 5 – Spare Parts</i>	<i>16</i>

1. SCOPE

1.1. APPLICABILITY

The contents of this document are meant to provide information on the P/N 3G6400G00131 TOOL KIT, T/R SLIDER BUSHING REM / INSTL.

1.2. OBJECT

The object of this document is to describe the AGE and its components, its main features and it will also provide all needed maintenance requirements to keep in service the 3G6400G00131 TOOL KIT, T/R SLIDER BUSHING REM / INSTL.

1.3. WARNING AND SAFETY INSTRUCTIONS

A number of symbols are used throughout this document to indicate information to which the user should pay attention to. These are indicated below along with the specific meaning.




 Warning	...Indicates a danger that might arise from a product and might result in severe injuries or even death, if no precautions are taken.
 Caution	... Indicates a potentially dangerous situation, which might result injury or damage to the equipment.
 Notice	...Indicates a note providing information to help the reader during the procedure.

Table 1 – Warning Instruction

	GSE & TOOL USE AND MAINTENANCE MANUAL	Manual number: MAN-3G6400G00131 REV. A
		Pag. 6 of 18

2. DOCUMENTS

2.1. APPLICABLE DOCUMENTS

The following table lists the applicable documents

REF	REFERENCE OF DOCUMENT	TITLE
N.A.	N.A.	N.A.

Table 2 – Applicable Documents

2.2. ACRONYMS USED

The main acronyms used in this document are listed below:

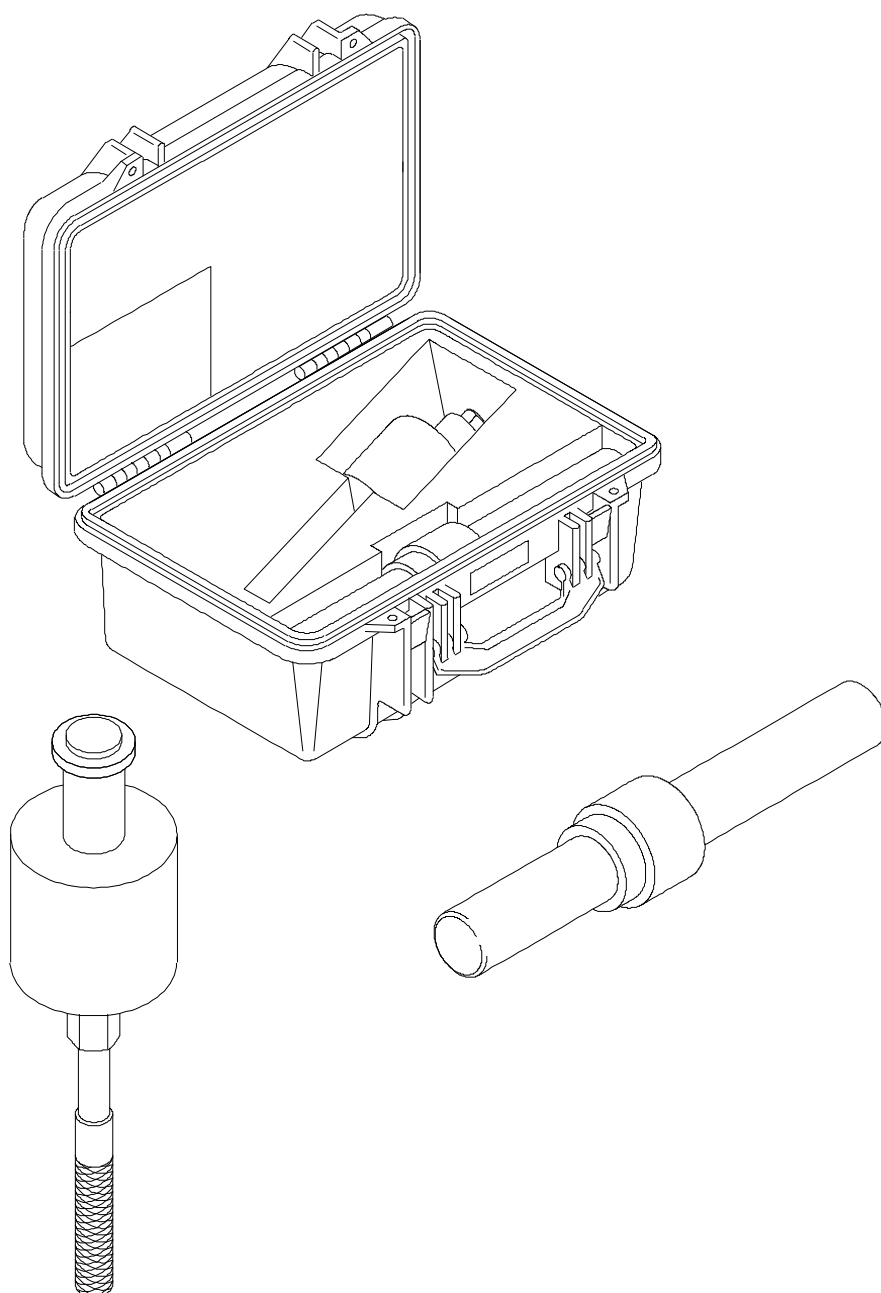
LHD	Leonardo Helicopter Division
HC	Helicopter
P/N	Part Number
S/N	Serial Number
N.A.	Not Applicable
T/R	Tail Rotor

3. DESCRIPTION

This tool kit is used to pull out and push the T/R slider bushing from/on the T/R spider and slider assy. It must be used on aircraft at line maintenance level if during the preventive maintenance activity the play is out of limits.

This tool kit is composed by a container box and the following tools:

- Tool, T/R slider bushing removal;
- Tool, T/R slider bushing installation.



3G6400G00131_1

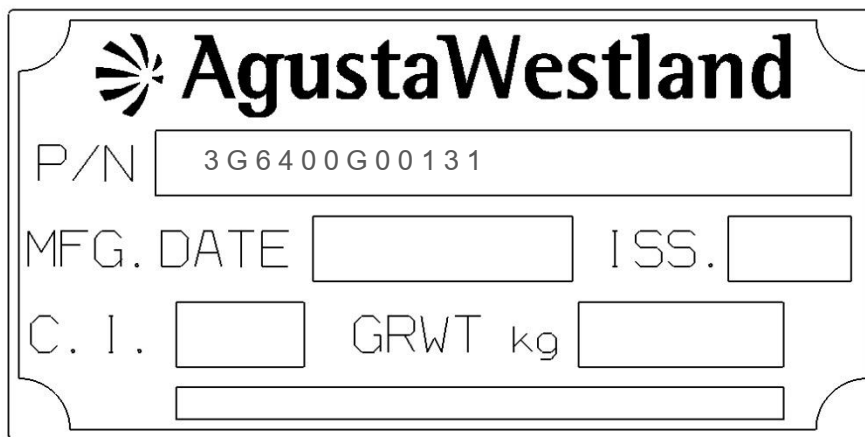
Figure 1 – Tool kit, T/R slider bushing rem/instl

4. TOP ASSEMBLY DRAWINGS

Refer to P/N 3G6400G00131 TOOL KIT, T/R SLIDER BUSHING REM / INSTL.

5. IDENTIFICATION

The tool identification P/N 3G6400G00131 is marked on the LHD identification tag.



The image shows a rectangular identification tag with rounded corners and a double-line border. At the top left is the AgustaWestland logo, a stylized sunburst, followed by the text "AgustaWestland" in a bold, sans-serif font. Below the logo, there are several input fields for data entry:

- A field labeled "P/N" containing the text "3G6400G00131".
- A row with "MFG. DATE" followed by an empty box, and "ISS." followed by an empty box.
- A row with "C. I." followed by an empty box, "GRWT kg" followed by an empty box, and a final empty box at the bottom.

Figure 2 – LHD Identification tag with P/N

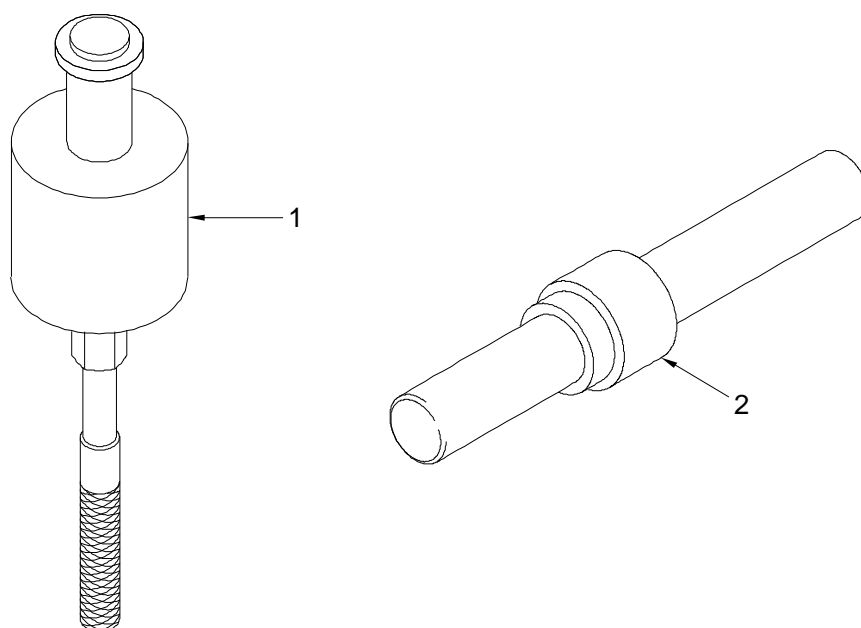
6. OVERALL DIMENSIONS

- Length: 410 mm
- Width: 330 mm
- Height: 175 mm

7. WEIGHT

- Total Weight: 6 kg

8. MAIN PARTS



3G6400G00131_2

Figure 3 – Main Parts

The main parts of the Tool kit, T/R slider bushing rem/instl are:

1. Tool, T/R slider bushing removal
2. Tool, T/R slider bushing installation

	GSE & TOOL USE AND MAINTENANCE MANUAL	Manual number: MAN-3G6400G00131 REV. A Pag. 10 of 18
---	--	---

9. MAIN FEATURES DESCRIPTION

The main parts of the tool are here below described:

Item 1 (ref. [Figure 3](#)) T/R slider bushing removal

This tool must be used on aircraft at line maintenance level, as a puller during the maintenance activities. It must be used to remove the slider bushing which guide the T/R servo actuator installed into the tail rotor gear box mast.

Item 2 (ref. [Figure 3](#)) T/R slider bushing installation

This tool must be used on aircraft at line maintenance level, as pusher during the maintenance activities. It must be used to install the slider bushing which guides the T/R servo actuator installed into the tail rotor gear box mast.

10. WARNING AND SAFETY NOTES

10.1. WARNING NOTE







 Warning	<p>Use this equipment only for the purpose that it is designed for. Any other use can result in injury or serious material damage to the components.</p>
 Caution	
 Notice	<p>The Manual can never integrally replace the adequate competence of the user.</p>
 Warning	<p>Before and after each use of the equipment is necessary to perform the checks required. Do not operate with a tool damaged or partially completed, or partially assembled.</p>
 Caution	
 Notice	<p>This Manual provides guidelines and instructions of the equipment that are in addition to - but are not intended to replace or modify but only to integrate - any general or specific rule, regulation, decree or law that is in force in the place where the equipment is in use.</p>

Table 3 – Warning Note

10.2. SAFETY NOTES

Remember to wear protective overalls, safety shoes, protective gloves and glasses during all operational and maintenance phases.



Figure 4 – Safety Notes

11. STORAGE

The Tool shall be properly stored to provide protection from external weather conditions, damage and dirty particles.

The Kit shall be stored in the dedicated transportation box (part of the Kit).

Ensure that the tool parts are clean before storage.

11.1. LUBRICATION BEFORE STORAGE

Apply the Grease (MIL-PRF-23827) on all threaded parts before tool storage.

11.2. STORAGE CONFIGURATION

The tool has no particular storage configuration.

12. MAINTENANCE

NOTE: Correct regular maintenance allows preventing most faults and safeguards of tool performance in time, thereby making it last longer.

Every year carry out regular maintenance on a regular basis as detailed in this manual.

NOTE: Inspection intervals for tool parts placed inside in ready storage is 12 months.

12.1. CLEANING

Before inspection and after each use, carry out the cleaning of the tool components.

12.1.1. SPECIAL TOOLS, FIXTURE AND EQUIPMENT

No special tools, fixture and equipment are required for cleaning.

12.1.2. PART REQUIREMENTS

The parts to clean should be free from the moisture, emulsified water, soaps and metal shavings that can develop of corrosive acids.

They must also be free from wide grease and / or slosh deposits.

12.1.3. MANUAL CLEANING

- A. Clean thoroughly all metal surfaces with a clean lint-free cloth (Local supply) moistened with Cleaning Solvent (MIL-PRF-680C, Type II) to do general spot cleaning of large groups areas. For nylon or Teflon surfaces, the use of a biodegradable, water dilutable cleaning compound (MIL-PRF-87937 D, Type II) is required.
- B. Repeat the cleaning process again by means another clean lint-free cloth (Local supply).
- C. Drying.
 - Verify that the solvent should not be trapped in the cavity. Normally, the solvent evaporates at room temperature in a satisfactory manner.

12.2. CHECKS

Before and after each use or at least every year, carry out the check of kit component.

Before each use ensure that the manual is available to the operator, in the event of loss, request a copy to Leonardo Helicopters Division.

The Tool kit shall be submitted to following checks to guarantee the functionality.

All required checks shall be registered on CHECK RECORDS Table. Ref. *TLC_Table 1*

After each use of tool ensure to have registered the number of uses on HISTORICAL USES RECORD Table. Ref. *TLC_Table 2*

The Tool Log Card template contained in the Annex A of this manual can be replaced with any other log card template in use in the plant where the equipment is in use.

12.2.1. SPECIAL TOOLS, FIXTURE AND EQUIPMENT

No special tools, fixture and equipment are required for the checks.

12.2.2. VISUAL EXAMINATION

NOTE: Replace the parts that do not obey the inspection requirements.

Restore the marking of the parts that results damaged or not readable.

All required visual checks are listed on Table 4

PERIODICITY	CHECK TYPE	COMPONENTS	
BEFORE AND AFTER EVERY USE	VISUAL EXAMINATION	Evidence of impact;	All
	Crushing or stripping	All	
	Cracks	All	
	Dents	All	
	Wear	All	
	Distortions	All	
	Corrosion	All	
	Loose or defective attaching parts (warning flag)	All	
	Unsticking of parts	Items 4, Nameplate, Figure 5 , page 16 Item 8, Plate, Figure 5 , page 16 Item 9, Plate, Figure 5 , page 16	
	Damage to the threads	All	
	Marking	All	
	Damage to the pins and to the shell	N.A.	
Damage to the insulation sleeves and wires	N.A.		

Table 4 – Visual Check



GSE & TOOL USE AND MAINTENANCE MANUAL

Manual number:
MAN-3G6400G00131
REV. A

Pag. 15 of 18

12.2.3. PERIODICAL CHECKS

Not Applicable.

12.2.4. DIMENSIONAL CHECKS

Not Applicable.

12.2.5. SPECIAL CHECKS SUMMARY

Not Applicable.

12.3. REPLACEMENT

All the parts for which it is allowed the components replacement are listed in Paragraph 15.

12.3.1. REPLACEMENT PROCEDURES

The replacement of parts of the kit does not require specific procedures.

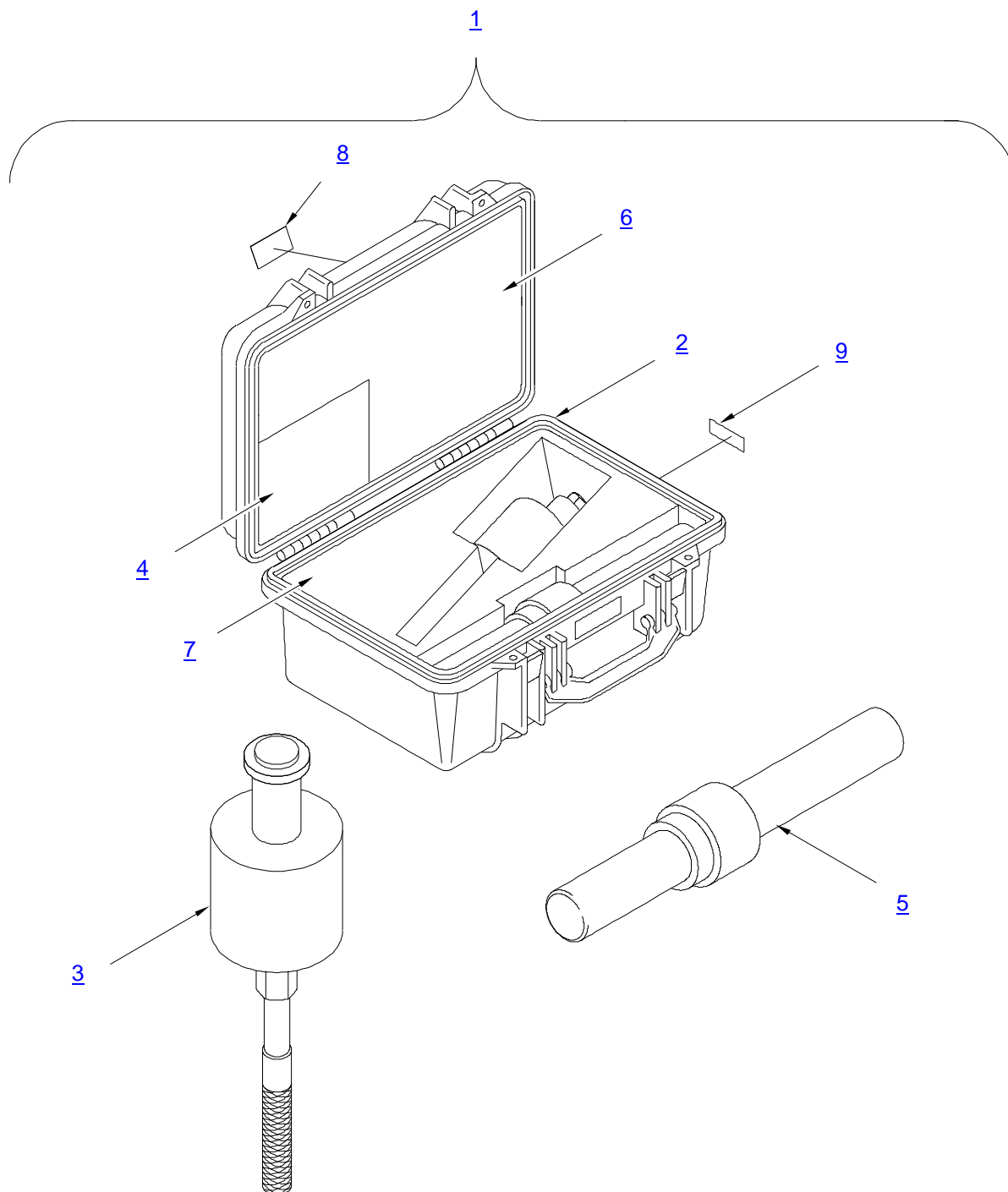
13. CALIBRATION

No Calibration is required.

14. SHELF LIFE

Not Applicable.

15. SPARE PARTS



3G6400G00131_3

Figure 5 – Spare Parts



GSE & TOOL USE AND MAINTENANCE MANUAL

Manual number:
MAN-3G6400G00131
REV. A

Pag. 17 of 18

ITEM	P/N	DESCRIPTION	Q.TY
1	3G6400G00131	TOOL KIT, T/R SLIDER BUSHING REPL	REF.
2	1450	PELI CASE	1
3	3G6400G00231	TOOL, T/R SLIDER BUSHING REMOVAL	1
4	3G6400G00451	NAMEPLATE	1
5	3G6405G07231	TOOL, T/R SLIDER BUSHING INSTL	1
6	3G6405G10851	FOAM	1
7	3G6405G10951	FOAM	1
8	A304A002A1	PLATE, IDENTIFICATION	1
9	A304A003A1	PLATE, IDENTIFICATION	1

Table 5 – Spare Parts

16. CE MARKING

No CE marking is required for the P/N 3G6400G00131 TOOL KIT, T/R SLIDER BUSHING REM / INSTL.



GSE & TOOL
USE AND MAINTENANCE MANUAL

Manual number:
MAN-3G6400G00131
REV. A

Pag. 18 of 18

ANNEX A

TOOL LOG CARD



TOOL LOG CARD

ISSUE -/
Pag. 1 of 3

TOOL KIT P/N: [1]	TOOL KIT DESCRIPTION: [2]	TOOL KIT S/N: [3]
TOOL P/N: [4]	TOOL S/N: [5]	REMARKS: [6]

Section 1: CHECKS RECORD

[7] N° check	[8] DATE	[9] P/N TO CHECK	[10] CHECK	[11] FREQUENCY	[12] RESULT	[13] NOTE	CERTIFICATION [14]
							STAMP & SIGNATURE [15]
1							
2							
3							
4							
5							
6							
7							
8							
9							
10							
FINAL ACCEPTANCE [16]							
STAMP & SIGNATURE [17]						DATE [18]	

TLC_Table 1



TOOL LOG CARD

ISSUE -/-
Pag. 2 of 3

TOOL KIT P/N: [1]	TOOL KIT DESCRIPTION: [2]	TOOL KIT S/N: [3]
TOOL P/N: [4]	TOOL S/N: [5]	REMARKS: [6]

Section 2: HISTORICAL USES RECORD

[19] N°USE	[8] DATE	[6] NOTE	[13] CERTIFICATION	[19] N°USE	[8] DATE	[6] NOTE	[13] CERTIFICATION
			[14] STAMP & SIGNATURE				[14] STAMP & SIGNATURE
1				11			
2				12			
3				13			
4				14			
5				15			
6				16			
7				17			
8				18			
9				19			
10				20			

TLC_Table 2

LOG CARD FILLING INSTRUCTIONS

FIELD #	HEADER	NOTE
1	Part number of the tool Kit	
2	Tool Kit denomination	
3	Serial Number of the tool Kit	
4	Part Number of the tool (part of kit)	
5	Serial Number of the tool (if applicable)	
6	Indicate any details of the use	
7	Sequential number of check performed	
8	Date of the activity	
9	PN of tool or component (part of tool) checked/affected by issue	
10	Typology or description of checks /issue	
11	Check frequency	
12	Check result	
13	Check remarks	
14	Performance certification	
15	Stamp and signature of the personnel which performs the check	
16	Section related to the final approval	
17	Stamp and signature of the personnel which performs the final approval	
18	Date on which the final check was made	
19	Sequential number of performed used of the tool	