

SERVICE BULLETIN

Reference:	342-49-047 – SERVICE BULLETIN
Title:	Update of gas generator configuration
Issue number:	001
Issue Date:	27-apr-2023

Responsible Partner Company: A0126

Originator: F1989

Category: 3 - Recommended

Applicability: APU equipped with gas generator P/N 341-01-11

Related SB: 342-49-046

Related Documents: None

Accomplishment: Once only Recurring

Planned to be incorporated in Technical Publications: Yes No

SAFRAN POWER UNITS PROPRIETARY INFORMATION

All information and data appearing in this document are the exclusive property of SAFRAN POWER UNITS. They are made available to any person required to comply with the terms of the instructions for maintaining the airworthiness of the APU.

Any other use of said information and data, including, but without limitation, design, manufacture, development, or derivation of any repairs, modifications, spare parts or configuration changes or to obtain EASA or any other government regulatory approval to do so, is subject to prior agreement from SAFRAN POWER UNITS. This document shall not be used, copied, reproduced, duplicated, modified or disclosed in whole or in part for any purpose other than maintaining the airworthiness of the APU without the express written consent of SAFRAN POWER UNITS. If such consent is given, this notice and the notice set forth on each page of this document shall also be reproduced.

All information and data contained herein, with respect to assembly and disassembly, cleaning, inspection methods and limits, repair methods and limits, operational limits, life limits and the like, have been developed and approved for use with equipment and parts that have been manufactured and/or approved by SAFRAN POWER UNITS and that have been maintained in accordance with SAFRAN POWER UNITS technical documentation and recommendations. SAFRAN POWER UNITS has no contractual or legal obligation for, nor knowledge of, parts and repairs not approved by SAFRAN POWER UNITS. Accordingly, this document is not intended to apply to parts and repairs not approved by SAFRAN POWER UNITS.

© 2023 Safran Power Units All rights reserved. Confidential and Proprietary.

SERVICE BULLETIN

342-49-047

1. Revision information

Issue	Date	Reason for update
001	27-apr-2023	Original issue

2. Planning information

2.1. Applicability

This Service Bulletin (SB) is applicable to APU power plant fitted on Leonardo Helicopters AW189/AW149 helicopters, equipped with gas generators P/N 341-01-11.

2.2. Reason

The purposes of this modification is to maintain repair capability of the gas generators by regularizing the gas generator configuration.

The purpose of this Service Bulletin is to introduce modification n°342/445.

2.3. Description

The purpose of this Service Bulletin is to describe the procedure to be performed by the end user or MRO center to retrofit gas generator P/N 341-01-11 into gas generator P/N 341-01-12.

2.4. Compliance

2.4.1. Compliance category

Comply with compliance category 3 - Recommended.

2.4.2. Time of compliance

Do as soon as possible without effect on revenue service.

2.5. Approval

The technical content of this document is approved under the authority of DOA No. EASA 21J214.

2.6. Manpower

Manpower: 0.5 h man hour is necessary to do this service bulletin.

2.7. Material

Not applicable.

2.8. Tooling

No additional special tooling is required.

2.9. Weight and balance

The weight is not affected.

The centre of gravity is not affected.

SERVICE BULLETIN

342-49-047

2.10. Publication affected

Not applicable.

2.11. Previous modifications

Not applicable.

3. Accomplishment Instructions

3.1. Procedure

1. Update of APU Engine Log Book:

- 1.1. On the Components Part List (last page of the APU Engine Log Book), strike out the P/N 341-01-11 and rewrite 341-01-12.

Only the last two digits of the P/N can be replaced as shown in Figure 1 below.

SAFRAN		GAP e-APU / modèle 342 / e-APU APU / model 342					
Direction Qualité	Désignation :	Turbomoteur/ Turboshaft Engine	Référence :	Indice :	N° série :		
Quality Directorate	Designation :		P/N :	Issue :	/	S/N :	1008
LISTE DES CONSTITUANTS / COMPONENTS PART LIST							
DESIGNATION	REF. / P/N	IND / ISSUE	N° / No.	FME / Log card	OBSERVATIONS / REMARKS		
* TURBOMOTEUR / TURBO SHAFT ENGINE	342-50-11	-	1008	Oui / Yes			
** GENERATEUR DE GAZ / GAZ GENERATOR	341-01- X -12	-	1008	Oui / Yes			
*** BOUGIES / IGNITERS	SC3811	-	0115 / 0116	Non / No	Quantity 2		
*** SONDE DE TEMPERATURE / TEMPERATURE PROBE	975457-1	-	0138	Non / No			
*** SONDE DE TEMPERATURE / TEMPERATURE PROBE	975475-2	-	0152	Non / No			
** HARNAIS CONTROLE / ELECTRICAL HARNESS	342-30	-	02	Non / No			
** HARNAIS ALIM FMP / ELECTRICAL HARNESS	342-30-001	-	05	Non / No			
** HARNAIS SURVITESSE / ELECTRICAL HARNESS	342-30-002	-	03	Non / No			
** BOITE RELAIS / GEAR BOX	EQ00-01-200-02	-	0016	Oui / Yes			
** ELECTRO-POMPE / FUEL METERING PUMP	1449057	-	61	Oui / Yes			
** BLOC HYDRAULIQUE / HYDRAULIC BLOCK	MA8931-000	-	0035	Non / No			
** BOITIER D'ALLUMAGE / IGNITION UNIT	HE3521-2	-	00190	Non / No			
** SONDE DE TEMPERATURE / TEMPERATURE PROBE	975458-1	-	0145	Non / No			
** CABLE DE BOUGIE / IGNITER CABLE	CLB 3230-1	-	0266 / 0267	Non / No	Quantity 2		
** MOTEUR DE LANCEMENT / ELECTRICAL STARTER MOTOR	037MBH02V02	-	C90022	Oui / Yes			
* BOITIER ELECTRONIQUE / ELECTRONIC CONTROL UNIT	342-45	-	(1)	Oui / Yes			

(1) Le boîtier électronique étant un équipement dissocié du turbomoteur, son n° de série et sa FME devront être joints au livret moteur du GAP par l'utilisateur.
As the electronic unit is delivered separately of the turbo shaft engine, his S/N and his log card must be added on the GAP individual acceptance report by the user

PVRI 523422 Ind A

9

Figure 1 : Update of APU Engine Log Book to be implemented

SERVICE BULLETIN

342-49-047

- 2. Update of the Gas Generator Log Book:
 - 2.1. On the front page of the Gas Generator Log Book, strike out the P/N 341-01-11 and rewrite 341-01-12.
 - Only the last two digits of the P/N can be replaced as shown in Figure 2 below.

FICHE MATRICULE		LOG CARD*		Fiche n° Log card n°	1
Fiche Suiveuse Matériel neuf Equipment record card New equipment*					
1 Identification du matériel / Material Identification					
Dénomination <i>Name</i>		GENERATEUR GAZ GENERATOR			
Nomenclature <i>Nomenclature</i>					
Référence fabricant <i>Part number</i>		341-01-11-12	Code fabricant <i>Manuf. Code</i>		F1989
Numéro de série <i>Serial number</i>		1039	Amendements <i>Amendments</i>		A
Marque <i>Trade mark</i>		MICROTURBO		Type <i>Type</i>	
Identification du support ou du sous-support de rattachement <i>Related assembly or sub assembly identification</i>					
Code <i>Code</i>		Dénomination <i>Name</i>			
2 Marché ou commande / Contract or order					
Référence <i>Reference</i>		Date <i>Date</i>			
Organisme émetteur <i>Issuing agency</i>		N° du lot <i>Kit n°</i>			
Fournisseur <i>Contractor</i>		MICROTURBO F1989		Adresse <i>Address</i>	

Figure 2 : Update of Gas Generator Log Book to be implemented

3. Removal of gas generator identification plate

CAUTION

Only the Gas Generator identification plate referring to the PN 341-01-11 is impacted by this procedure. The APU identification plate must remain as it is.

Note

Gas Generator identification plate may have already been removed by MRO Center. In this case, this operation is not required to be performed.

3.1. Required conditions

3.1.1. The helicopter must be safe for maintenance.

3.1.2. Refer to the helicopter maintenance manual if the APU is installed.

3.1.3. The access doors must be opened.

3.2. Remove and discard the four nuts (Figure 3, 4) and the four screws (3) that attach the identification plate (1) to the identification plate holder (2).

3.3. Discard the identification plate (1).

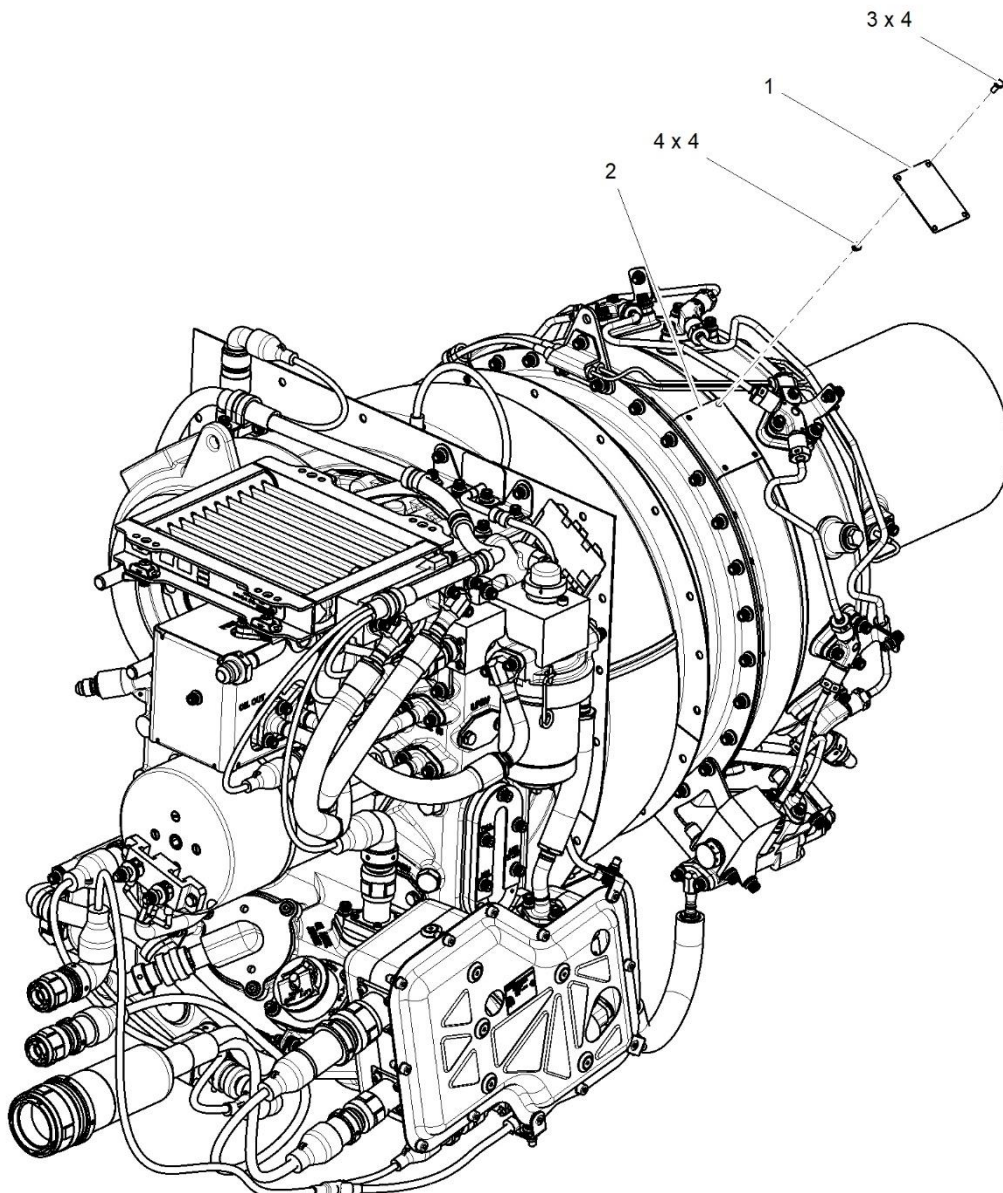


Figure 3 : Update of Gas Generator Log Book to be implemented

3.4. Requirement after job completion

- 3.4.1. Remove all the tools and the other items from the work area. Make sure that the work area is clean.
- 3.4.2. The access doors must be closed.

3.2. Record

Record the embodiment of this SERVICE BULLETIN 342-49-047 in the EQUIPMENT LOG CARD of the APU power plant.

3.2.1. Compliance certificate

For each APU power plant upgraded, send the following service bulletin compliance certificate to the MANUFACTURER.

Objet : Attestation d'application du Bulletin Service 342-49-047.
Subject: Service Bulletin Embodiment Certificate 342-49-047.

Important / Important notice:

Après application de ce Bulletin Service, veuillez compléter la présente attestation et la retourner par courrier ou fax à :
After incorporating this Service Bulletin, please complete this certificate and mail or fax it to:

Safran Power Units

Support Clients - 8 Chemin du pont de Rupé, BP 62089 - 31019 Toulouse Cedex 2, France
 Fax (33) (0)5 61 70 74 45 - e.mail: csc.spu@safrangroup.com

Information concernant le matériel / Equipment information					
Utilisateur Customer					N° Appareil Aircraft S/N
GAP / APU	Réf. - P/N	N/S - S/N	TSN*	CSN*	
Mise à jour du livret moteur APU <i>Update of the APU Engine Log Book</i>	Yes <input type="checkbox"/>	No <input type="checkbox"/>			
Mise à jour de la fiche matricule du générateur de gaz <i>Update of the Gas generator Log Book</i>	Yes <input type="checkbox"/>	No <input type="checkbox"/>			
Suppression de la plaque d'identification du générateur de gaz <i>Removal of gas generator identification plate</i>	Yes <input type="checkbox"/>	No <input type="checkbox"/>			
Commentaire <i>Comment</i>					

* TSN = Time Since New (Heures depuis neuf) CSN = Cycles Since New (Cycles depuis neuf)

Opération effectuée par:

Je certifie que le matériel identifié ci-dessus a été modifié selon les directives du Bulletin Service en objet.
I certify that the above-mentioned equipment has been modified according to the directives given in this Service Bulletin.

Date	Nom / Print name	Fonction / Position	Signature
.....	

4. Material information**4.1. Support equipment**

Not applicable.

4.2. Material requirements

Not applicable.

4.3. List of components

Not applicable.

4.4. Interchangeability

Physical interchangeability: Not affected

Functional interchangeability: Not affected

Restriction of mixability: No restriction

4.5. Parts disposition

Not applicable.

4.6. Procurement conditions

Not applicable.

END OF SERVICE BULLETIN