

PRATT & WHITNEY CANADA
SERVICE BULLETIN

P&WC S.B. No. 28401R4

BULLETIN INDEX LOCATOR
74-11-00

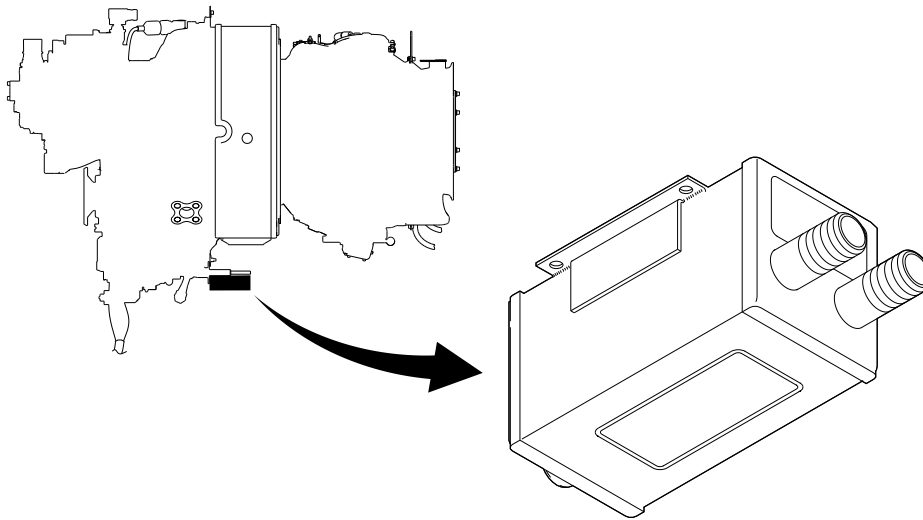
TURBOSHAFT ENGINE
IGNITION EXCITER - REPLACEMENT OF

MODEL APPLICATION

PW206A, PW206B, PW206B2, PW206B3, PW206C, PW206E, PW207C, PW207D, PW207D1,
PW207D2, PW207E, PW207K

Compliance: CATEGORY 7

Summary: The ignition exciter spider switch is no longer available due to obsolescence. Replace the ignition exciter with one that has an available spider switch.



Feb 11/2021
Revision No. 4: Jun 25/2021

PW200-74-28401
Cover Sheet

24-Hour Global Service CFIRST CENTRE Toll free where available (SIL GEN-027)	USA & CANADA..... 1-800-268-8000 International (IAC*)+8000-268-8000 * International Access Code	Other 1-450-647-8000 Fax 1-450-647-2888 Web Site www.pwc.ca
---	---	---

WARNING - PROPRIETARY RIGHTS & EXPORT CONTROLS NOTICE

This bulletin contains proprietary information of Pratt & Whitney Canada Corp. ("P&WC"), which P&WC provides in confidence and solely for the purposes of supporting engine certification and providing applicable information regarding the proper use, maintenance, inspection, repair, servicing and parts application of P&WC products and services, as directed therein. Neither this bulletin nor any information in it may be disclosed to others, or used for any other purpose, including, without limitation, to design, create, develop, reproduce, manufacture or derive any design, part, product, material, process, modification, configuration change or repair, or obtain FAA or other government approval to do so. Possession and use of this bulletin is also subject to the restrictions set out in P&WC's Technical Data Agreement (a copy of which may be obtained by contacting P&WC Technical Publications). The contents of this bulletin may be subject to export control laws. Unauthorized export or re-export of the bulletin, or parts thereof, is prohibited. By accepting and possessing this bulletin, you agree to be bound by the foregoing terms.

If a Government agency or department intends to disclose any information, written notice should be given to:

VP - Legal Services, Pratt & Whitney Canada Corp., 1000 Marie-Victorin (01BE5), Longueuil, Quebec J4G 1A1.



Jun 25/2021

P&WC S.B. No. 28401R4

REVISION TRANSMITTAL SHEET
TURBOSHAFT ENGINE MODEL PW200

SUBJECT: Pratt & Whitney Canada Service Bulletin No. PW200-74-28401, Rev. No. 4 dated Jun 25/2021 (P&WC S.B. No. 28401R4) IGNITION EXCITER - REPLACEMENT OF

Replace your existing copy of this service bulletin with the attached revised bulletin. Destroy the superseded copy.

Please retain this Revision Transmittal Sheet with the revised bulletin.

SUMMARY:

This revision is issued to:

- modify the engine effectivity.

EFFECT OF REVISION ON PRIOR ACCOMPLISHMENT:

None.

REVISION HISTORY:

Original Issue: Feb 11/2021

Revision No. 1: Feb 24/2021

Revision No. 2: Apr 09/2021

Revision No. 3: Apr 29/2021

Revision No. 4: Jun 25/2021

PRATT & WHITNEY CANADA

SERVICE BULLETIN

P&WC S.B. No. 28401R4

TURBOSHAFT ENGINE IGNITION EXCITER - REPLACEMENT OF

1. Planning Information

A. Effectivity

PW206A (BS752) Engines.

PW206B (BS778) Engines.

PW206B2 (BS1028, BS1170) Engines which are before and include Serial No. PCE-BJ1462.

PW206B3 (BS1313) Engines which are before and include Serial No. PCE-BR0156 and including BR0158.

PW206C (BS847, BS1164, BS1296, BS1297) Engines which are before and include Serial No. PCE-BC1011, and Serial Numbers 208001 to 208999.

PW207C (BS1068, BS1166, BS1299, BS1300) Engines which are before and include Serial No. PCE-BH1045 and including BH1050, BH1051, BH1055 and BH1056.

PW206E (BS934) Engines which are before and include Serial No. PCE-BE0052.

PW207D (BS993, BS1167) Engines which are before and include Serial No. PCE-BF0215.

PW207D1 (BS1215) Engines which are before and include Serial No. PCE-BL0914 and including BL0916 to BL0920, BL0924 and BL0925.

PW207D2 (BS1247, BS1281) Engines which are before and include Serial No. PCE-BN0026.

PW207E (BS1035, BS1168) Engines which are before and include Serial No. PCE-BG0189.

PW207K (BS1031, BS1169, BS1301, BS1302) Engines which are before and include Serial No. PCE-BK0353 and including BK0359 to BK0362.

NOTE: The above effectivity list does not identify engines that have been converted from one engine model to another via an engine conversion service bulletin. To clarify the effectivity of converted engines, refer to the original engine effectivity above. For the parts embodied during the engine conversion, refer to conversion service bulletin.

B. Concurrent Requirements

None.

C. Reason

(1) Problem

The ignition exciter spider switch is no longer available.

(2) Cause

The ignition exciter spider switch has been obsoleted.

(3) Solution

Replace the ignition exciter with one that has an available spider switch.

P&WC No. CO-0010439, CO-0010811

Feb 11/2021

Revision No. 4: Jun 25/2021

P&WC Proprietary Information. Subject to the restrictions on the back of the locator

© 2021 Pratt & Whitney Canada Corp.

PRINTED IN CANADA

PW200-74-28401

Page 1 of 6

PRATT & WHITNEY CANADA
SERVICE BULLETIN

P&WC S.B. No. 28401R4

TURBOSHAFT ENGINE
IGNITION EXCITER - REPLACEMENT OF

1. Planning Information (Cont'd)

D. Description

Replace the ignition exciter with a new one.

E. Compliance

CATEGORY 7 - You can do this service bulletin when the supply of superseded parts is fully used.

F. Approval

D.O.T./D.A.A . Approved.

G. Manpower

Once you have access to the part, an estimate of 1.0 man-hours is required to include this service bulletin at repair.

No more man-hours are necessary to include this service bulletin at overhaul.

H. Weight and Balance

None.

I. Electrical Load Data

Not applicable.

J. Software Accomplishment Summary

Not applicable.

K. References

Illustrated Parts Catalog P/N [3038326](#) (PW206A/206E)

Illustrated Parts Catalog P/N [3049725](#) (PW207E)

Illustrated Parts Catalog P/N [3039734](#) (PW206B)

Illustrated Parts Catalog P/N [3054928](#) (PW206B2/206B3)

Illustrated Parts Catalog P/N [3043324](#) (PW206C)

PRATT & WHITNEY CANADA
SERVICE BULLETIN

P&WC S.B. No. 28401R4

TURBOSHAFT ENGINE
IGNITION EXCITER - REPLACEMENT OF

1. Planning Information (Cont'd)

- Illustrated Parts Catalog P/N [3054927](#) (PW207C)
- Illustrated Parts Catalog P/N [3049724](#) (PW207D)
- Illustrated Parts Catalog P/N [3071604](#) (PW207D1/207D2)
- Illustrated Parts Catalog P/N [3053374](#) (PW207K)
- Maintenance Manual P/N [3038324](#) (PW206A/206E/207E)
- Maintenance Manual P/N [3039732](#) (PW206B/206B2/206B3)
- Maintenance Manual P/N [3043322](#) (PW206C/207C)
- Maintenance Manual P/N [3043612](#) (PW207D)
- Maintenance Manual P/N [3071602](#) (PW207D1/207D2)
- Maintenance Manual P/N [3053372](#) (PW207K)
- Overhaul Manual P/N [3038325](#) (PW206A/206E/207E)
- Overhaul Manual P/N [3039733](#) (PW206B/206B2/206B3)
- Overhaul Manual P/N [3043323](#) (PW206C/207C)
- Overhaul Manual P/N [3043613](#) (PW207D)
- Overhaul Manual P/N [3071603](#) (PW207D1/207D2)
- Overhaul Manual P/N [3053373](#) (PW207K)
- Champion SBCH92106-74-003

L. Publications Affected

- Illustrated Parts Catalog P/N [3038326](#) (PW206A/206E)
- Illustrated Parts Catalog P/N [3049725](#) (PW207E)
- Illustrated Parts Catalog P/N [3039734](#) (PW206B)
- Illustrated Parts Catalog P/N [3054928](#) (PW206B2/206B3)
- Illustrated Parts Catalog P/N [3043324](#) (PW206C)

PRATT & WHITNEY CANADA SERVICE BULLETIN

P&WC S.B. No. 28401R4

TURBOSHAFT ENGINE IGNITION EXCITER - REPLACEMENT OF

1. Planning Information (Cont'd)

- Illustrated Parts Catalog P/N [3054927](#) (PW207C)
- Illustrated Parts Catalog P/N [3049724](#) (PW207D)
- Illustrated Parts Catalog P/N [3071604](#) (PW207D1/207D2)
- Illustrated Parts Catalog P/N [3053374](#) (PW207K)
- Champion CMM 74-11-05

M. Interchangeability and Intermixability of Parts

- Interchangeability - Refer to Para. 2.C.
- Intermixability - Not changed.

2. Material Information

A. Industry Support Information

Not applicable.

B. Material - Price and Availability

You can get the procurable parts listed in Para. 2.C. from any Pratt & Whitney Canada Parts Distribution Center.

The estimated total cost of new parts needed to replace old parts is \$Quote (US, 2021).

The new parts will be available March 1st.

C. Material Necessary for Each Engine

The quantity of materials listed in this section is on a per engine basis.

<u>New P/N</u>	<u>Keyword</u>	<u>Old P/N</u>	<u>Qty</u>	<u>Est. Unit List Price (\$US, 2021)</u>	<u>Instructions Dispositions</u>
	Ignition Exciter (0AFL4) P&WC P/N 3043937-07	CH92106-2	1		(A)(B)
CH92106-4	Ignition Exciter (0AFL4) P&WC P/N 3043937-09		1	Quote	(A)

PRATT & WHITNEY CANADA
SERVICE BULLETIN

P&WC S.B. No. 28401R4

TURBOSHAFT ENGINE
IGNITION EXCITER - REPLACEMENT OF

2. Material Information (Cont'd)

<u>New P/N</u>	<u>Keyword</u>	<u>Old P/N</u>	<u>Qty</u>	<u>Est. Unit List Price (\$US, 2021)</u>	<u>Instructions Dispositions</u>
----------------	----------------	----------------	------------	--	--------------------------------------

(A) TWO WAY INTERCHANGEABLE (ATA200 Explanation Code 02): The old or the new parts can replace the old or the new part.

(B) Discard the part if it is unserviceable. Return a serviceable part to stock.

D. Reidentified Parts

None.

E. Tooling - Price and Availability

Not Applicable

3. Accomplishment Instructions

A. Remove the parts in the Old P/N list in Para. 2.C., Material Information, in accordance with the maintenance or overhaul manual instructions as follows:

Ref. MM 74-10-00.

Ref. OHM 74-10-00.

B. Install the parts in the New P/N list in Para. 2.C., Material Information, in accordance with the maintenance or overhaul manual instructions as follows:

Ref. MM 74-10-00.

Ref. OHM 74-10-00.

C. Write the accomplishment of P&WC SB28401 in the engine module log book.

4. Appendix

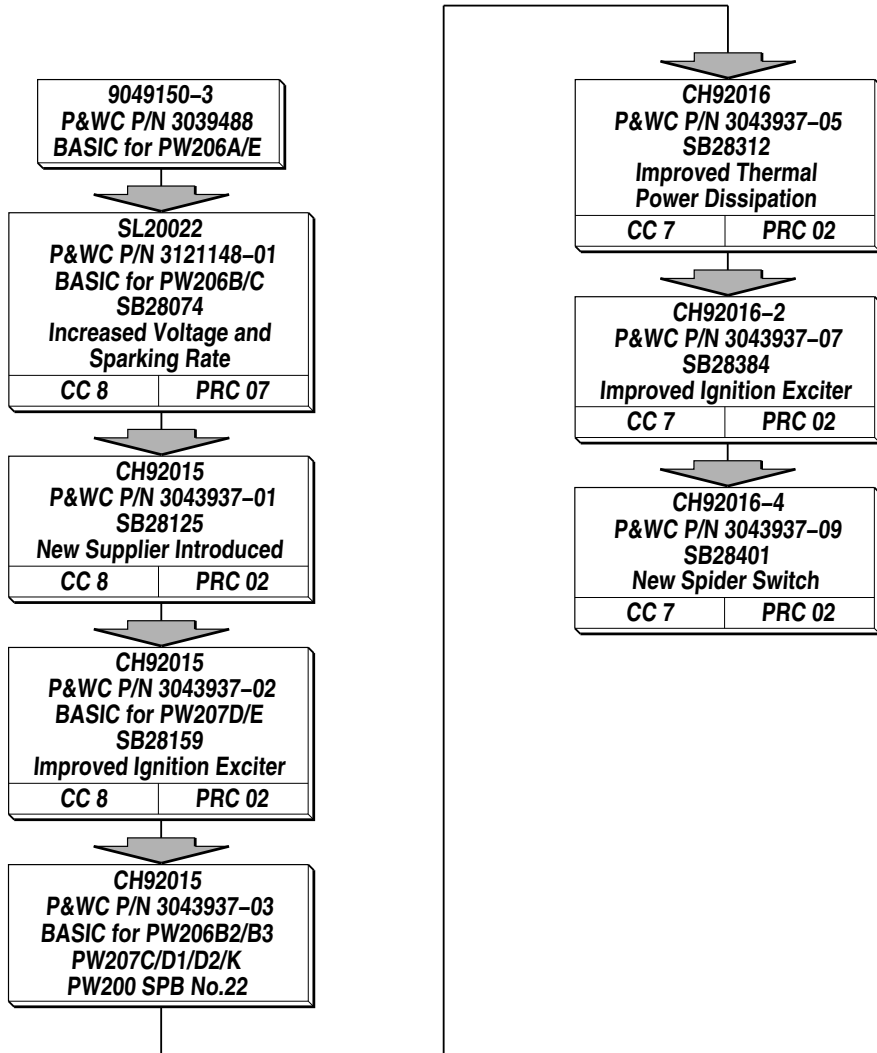
Refer to Figure 1 for parts progression.

PRATT & WHITNEY CANADA

SERVICE BULLETIN

P&WC S.B. No. 28401R4

TURBOSHAFT ENGINE IGNITION EXCITER - REPLACEMENT OF



ICN-00198-G000042849-001-01

Ignition Exciter - Part Progression
Figure 1