

PRIMUS EPIC SOFTWARE INSTL - Illustrated Parts Data

FIG	PART NUMBER.....	DESCRIPTION	**UOCA..	I C Y	QNHA UI	SMR...
	ITEM		NSN.....			
04						
- 0	3G4600A00617	PRIMUS EPIC SOFTWARE INSTL (NSCM A0126) (Refer to 00-00-01 fig. 02 item 004 for NHA)	EN EP LN		REF	XC
1	7030191-00105	• PRIMUS EPIC SOFTWARE REL. AW4.8 (NSCM 55939)	EN EP LN		REF EA	XB
1	7030191-00107	• PRIMUS EPIC SOFTWARE REL. 5.2.1 (NSCM 55939)	EN EP LN		REF	XB
1	7030191-00108	• PRIMUS EPIC SOFTWARE REL. 6.2 (NSCM 55939)	EN EP LN		REF	XB
1	7030191-00109	• PRIMUS EPIC SOFTWARE REL. 6.5 (NSCM 55939)	EN EP LN		REF	XB
1	EB7030191-00110	• PRIMUS EPIC SW REL 7.4 OPSW (NSCM 55939)	EN EP LN		REF	XB
1	EB7030191-00112	• PRIMUS EPIC SW REL 7.10 OPSW (NSCM 55939)	EN EP LN		REF	XB
- 2	DM7036878-501	• OPTION FILE FASE 4.8 (NSCM 55939) (FOR SPARE CONTACT AIRCRAFT MANUFACTURER)	EN EP LN		-4 REF	XB
- 2	DM7036878-701	• OPTION FILE FASE 4.8 (NSCM 55939) (FOR SPARE CONTACT AIRCRAFT MANUFACTURER)	EN EP LN		4- REF	XB
- 2	DM7038581-201	• OPTION FILE FASE 5 (NSCM 55939) (FOR SPARE CONTACT AIRCRAFT MANUFACTURER)	EN EP LN		-4 REF	XB
- 2	DM7038581-401	• OPTION FILE FASE 5 (NSCM 55939) (FOR SPARE CONTACT AIRCRAFT MANUFACTURER)	EN EP LN		44 REF	XB
- 2	DM7038581-601	• OPTION FILE FASE 5 (NSCM 55939) (FOR SPARE CONTACT AIRCRAFT MANUFACTURER)	EN EP LN		44 REF	XB
- 2	DM7038581-991	• OPTION FILE FASE 5 (NSCM 55939) (FOR SPARE CONTACT AIRCRAFT MANUFACTURER)	EN EP LN		4- REF	XB
- 2	DM60000685-00200	• OPTION FILE FASE 7 (NSCM 55939) (FOR SPARE CONTACT AIRCRAFT MANUFACTURER)	EN EP LN		-4 REF	XB
- 2	DM60000685-00400	• OPTION FILE FASE 7 (NSCM 55939) (FOR SPARE CONTACT AIRCRAFT MANUFACTURER)	EN EP LN		44 REF	XB
- 2	DM60000685-00600	• OPTION FILE FASE 7 (NSCM 55939) (FOR SPARE CONTACT AIRCRAFT MANUFACTURER)	EN EP LN		44 REF	XB

- 2	DM60000685-70400	• OPTION FILE FASE 7 (NSCM 55939) (FOR SPARE CONTACT AIRCRAFT MANUFACTURER)	EN EP LN	44	REF	XB
- 2	DM60000685-70600	• OPTION FILE FASE 7 (NSCM 55939) (FOR SPARE CONTACT AIRCRAFT MANUFACTURER)	EN EP LN	4-	REF	XB
- 3	MM7035985-00402	• CMC LOADABLE DIAGNOSTIC INFORMATION SOFTWARE (NSCM 55939) (FOR SPARE CONTACT AIRCRAFT MANUFACTURER)	EN EP LN		REF EA	XB
- 3	MM7035985-00508	• CMC LOADABLE DIAGNOSTIC INFORMATION SOFTWARE (NSCM 55939) (FOR SPARE CONTACT AIRCRAFT MANUFACTURER)	EN EP LN		REF EA	XB
- 3	MM7035985-00603	• CMC LOADABLE DIAGNOSTIC INFORMATION SOFTWARE (NSCM 55939) (FOR SPARE CONTACT AIRCRAFT MANUFACTURER)	EN EP LN		REF EA	XB
- 3	MM7035985-00606	• CMC LOADABLE DIAGNOSTIC INFORMATION SOFTWARE (NSCM 55939) (FOR SPARE CONTACT AIRCRAFT MANUFACTURER)	EN EP LN		REF EA	XB
- 3	MM7035985-00713	• CMC LOADABLE DIAGNOSTIC INFORMATION SOFTWARE (NSCM 55939) (FOR SPARE CONTACT AIRCRAFT MANUFACTURER)	EN EP LN		REF EA	XB
- 3	MM7035985-00716	• CMC LOADABLE DIAGNOSTIC INFORMATION SOFTWARE (NSCM 55939) (FOR SPARE CONTACT AIRCRAFT MANUFACTURER)	EN EP LN		REF EA	XB
- 4	MM7030191-010	• PRIMUS EPIC SW REL 7.4 OPSW (NSCM 55939) (FOR SPARE CONTACT AIRCRAFT MANUFACTURER)	EN EP LN		REF	XB
- 4	MM7030191-012	• PRIMUS EPIC PHASE 7.10 SW CD (NSCM 55939) (FOR SPARE CONTACT AIRCRAFT MANUFACTURER)	EN EP LN		REF	XB
- 5	MM60000218-001	• PERFORMANCE DATABASE (NSCM 55939) (FOR SPARE CONTACT AIRCRAFT MANUFACTURER)	EN EP LN		REF	XB
- 5	MM60000218-002	• PERFORMANCE DATABASE (NSCM 55939) (FOR SPARE CONTACT AIRCRAFT MANUFACTURER)	EN EP LN	-4	REF	XB
- 5	DM60000218-003	• PERFORMANCE DATABASE (NSCM 55939) (FOR SPARE CONTACT AIRCRAFT MANUFACTURER)	EN EP LN	4-	REF	XB
- 6	PS7035985-00716	• CMC LDI SW (NSCM 55939) (FOR SPARE CONTACT AIRCRAFT MANUFACTURER)	EN EP LN		REF	XB
Z	DD62F00000	• CONNECTOR,RECEPTACLE,ELECTRICAL (NSCM 28198)	EN EP LN SN	-3	0004	PAOZZ
Z	DD62S00000/AA	• CONNECTOR,RECEPTACLE,ELECTRICAL (NSCM 28198)	EN EP LN SN	5-	0004	PAOZZ
8	7031364-806	• DU1080 BACKSHELL (NSCM 91929)	EN EP LN SN		0004 EA	PAOZZ

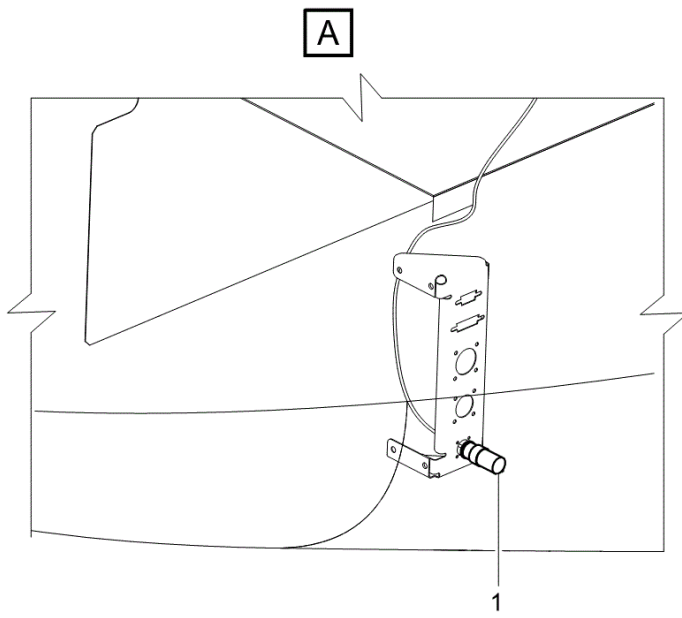
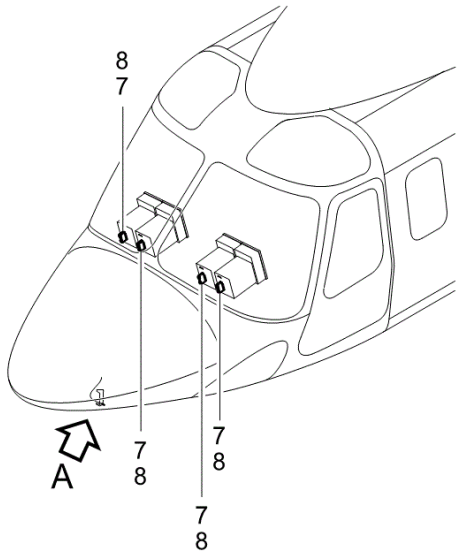


FIGURE 04 PRIMUS EPIC SOFTWARE INSTL

ICN-39-A-314300-G-00001-10016-A-004-01

Document Status and Identification

Document Code: 39-A-31-43-00-040-941A-A
Document Title: PRIMUS EPIC SOFTWARE INSTL - Illustrated Parts Data
Issue Number: 032
Issue Date: 2020-05-26
RFU: Technical change
QA: tabtop
Effectivity: ENH - PLUS - LN - SN