

PRATT & WHITNEY CANADA
SERVICE BULLETIN

P&WC S.B. No. 13533

BULLETIN INDEX LOCATOR
72-60-00

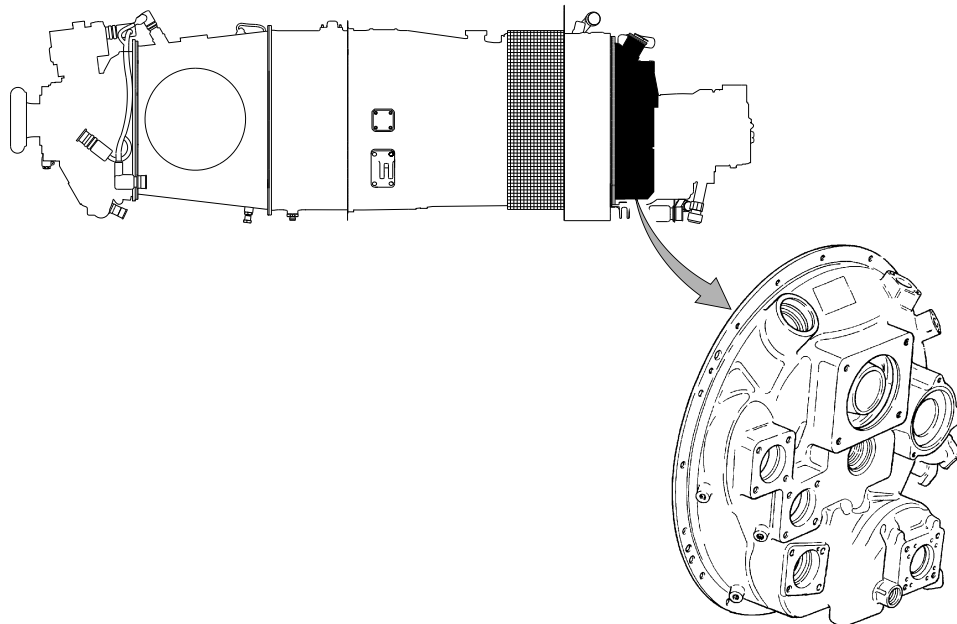
TURBOPROP ENGINE
ACCESSORY GEARBOX HOUSING ASSEMBLY - REPLACEMENT OF

MODEL APPLICATION

PT6A-52, PT6A-60A, PT6A-60AG, PT6A-61, PT6A-62, PT6A-65AG, PT6A-65AR, PT6A-65B,
PT6A-65R

Compliance: CATEGORY 7

Summary: The casting tool for the Accessory Gearbox (AGB) housing is no longer acceptable. The tool is worn such that the AGB housing casting cannot be produced to satisfy production requirements. Replace the AGB housing assembly with one that has a casting made from a new tool.



Jan 18/2023

PT6A-72-13533
Cover Sheet

24-Hour Global Service

CFIRST CENTRE

Toll free where available (SIL GEN-027)

USA & CANADA..... 1-800-268-8000

International (IAC*)+8000-268-8000

* International Access Code

Other 1-450-647-8000

Fax 1-450-647-2888

Web Site www.pwc.ca

WARNING - PROPRIETARY RIGHTS & EXPORT CONTROLS NOTICE

This bulletin contains proprietary information of Pratt & Whitney Canada Corp. ("P&WC"), which P&WC provides in confidence and solely for the purposes of supporting engine certification and providing applicable information regarding the proper use, maintenance, inspection, repair, servicing and parts application of P&WC products and services, as directed therein. Neither this bulletin nor any information in it may be disclosed to others, or used for any other purpose, including, without limitation, to design, create, develop, reproduce, manufacture or derive any design, part, product, material, process, modification, configuration change or repair, or obtain FAA or other government approval to do so. Possession and use of this bulletin is also subject to the restrictions set out in P&WC's Technical Data Agreement (a copy of which may be obtained by contacting P&WC Technical Publications). The contents of this bulletin may be subject to export control laws. Unauthorized export or re-export of the bulletin, or parts thereof, is prohibited. By accepting and possessing this bulletin, you agree to be bound by the foregoing terms.

If a Government agency or department intends to disclose any information, written notice should be given to:

VP - Legal Services, Pratt & Whitney Canada Corp., 1000 Marie-Victorin (01BE5), Longueuil, Quebec J4G 1A1.

PRATT & WHITNEY CANADA

SERVICE BULLETIN

P&WC S.B. No. 13533

TURBOPROP ENGINE ACCESSORY GEARBOX HOUSING ASSEMBLY - REPLACEMENT OF

1. Planning Information

A. Effectivity

PT6A-52 (BS1228, BS1269, BS1270, BS1358, BS1435) Engines which are before and include Serial No. PCE-RX1320.

PT6A-60A (BS613, BS662, BS1024, BS1025, BS1271, BS1272) Engines which are before and include Serial No. PCE-PK2839 and PCE-95006 thru PCE-95828.

PT6A-60AG (BS919, BS976, BS1048, BS1049, BS1210, BS1212) Engines which are before and include Serial No. PCE-RG0221.

PT6A-61 (BS618, BS1236, BS1275) Engines which are before and include Serial No. PCE-HA0309 and Serial No. which include PCE-99001 thru PCE-99142.

PT6A-62 (BS641, BS741, BS833, BS855, BS917, BS938, BS960, BS981, BS982, BS1044, BS1110, BS1173, BS1190, BS1320) Engines which are before and include Serial No. PCE-PL0193 and PCE-103001 thru PCE-103248.

PT6A-65AG (BS708, BS903, BS1101, BS1102) Engines which are before and include Serial No. PCE-PN0560, PCE-32248 thru PCE-32640 and all engines converted to Engine Model PT6A-65AG (Ref. P&WC engine conversion SB13237, 13238, and 13239).

PT6A-65AR (BS652, BS697, BS738) Engines, and all engines converted to Engine Model PT6A-65AR (Ref. P&WC engine conversion SB13098).

PT6A-65B (BS595, BS661, BS851, BS1403) Engines which are before and include Serial No. PCE-PP0300 and PCE-32001 thru PCE-32644 and all engines converted to Engine Model PT6A-65B (Ref. P&WC engine conversion SB13064).

PT6A-65R (BS578) Engines which include Serial No. PCE-97001 thru PCE-97201, PCE-97406, PCE-97408 and PCE-97424 and all engines converted to Engine Model PT6A-65R (Ref. P&WC engine conversion SB13078 and 13083).

B. Concurrent Requirements

None.

C. Reason

(1) Problem

The casting tool for the accessory gearbox housing is no longer acceptable.

(2) Cause

The tool is worn such that the accessory gearbox housing casting cannot be produced to satisfy production requirements.

(3) Solution

Replace the AGB housing assembly with one that has a casting made from a new tool.

P&WC No. CO-0002040

Jan 18/2023

P&WC Proprietary Information. Subject to the restrictions on the back of the locator

© 2023 Pratt & Whitney Canada Corp.
PRINTED IN CANADA

PT6A-72-13533
Page 1 of 9

PRATT & WHITNEY CANADA
SERVICE BULLETIN

P&WC S.B. No. 13533

TURBOPROP ENGINE
ACCESSORY GEARBOX HOUSING ASSEMBLY - REPLACEMENT OF

1. Planning Information (Cont'd)

D. Description

Replace the accessory gearbox housing assembly with a new one.

E. Compliance

CATEGORY 7 - You can do this service bulletin when the supply of superseded parts is fully used.

F. Approval

The technical content of this document is approved under the authority of the Transport Canada Civil Aviation (TCCA) Design Approval Organization No: DAO #93-Q-01.

G. Manpower

No more man-hours are necessary to include this service bulletin at overhaul.

H. Weight and Balance

The engine weight will increase by 0.14 pounds (0.06 kgs).

The effect of the weight change on the engine center of gravity is negligible.

I. Electrical Load Data

Not applicable.

J. Software Accomplishment Summary

Not applicable.

K. References

Illustrated Parts Catalog P/N [3072864](#) (PT6A-52)

Illustrated Parts Catalog P/N [3034344](#) (PT6A-60A/60AG/61)

Illustrated Parts Catalog P/N [3034544](#) (PT6A-62)

Illustrated Parts Catalog P/N [3032844](#) (PT6A-65B/65R/65AG/65AR)

Overhaul Manual P/N [3072863](#) (PT6A-52)

PRATT & WHITNEY CANADA SERVICE BULLETIN

P&WC S.B. No. 13533

TURBOPROP ENGINE ACCESSORY GEARBOX HOUSING ASSEMBLY - REPLACEMENT OF

1. Planning Information (Cont'd)

Overhaul Manual P/N [3034343](#) (PT6A-60A/60AG/61)

Overhaul Manual P/N [3034543](#) (PT6A-62)

Overhaul Manual P/N [3032843](#) (PT6A-65B/65R/65AG/65AR)

L. Publications Affected

Illustrated Parts Catalog P/N [3072864](#) (PT6A-52)

Illustrated Parts Catalog P/N [3034344](#) (PT6A-60A/60AG/61)

Illustrated Parts Catalog P/N [3034544](#) (PT6A-62)

Illustrated Parts Catalog P/N [3032844](#) (PT6A-65B/65R/65AG/65AR)

M. Interchangeability and Intermixability of Parts

Interchangeability - Refer to Para. 2.C.

Intermixability - Not changed.

2. Material Information

A. Industry Support Information

Not applicable.

B. Material - Price and Availability

You can get the procurable parts listed in Para. 2.C. from any Pratt & Whitney Canada Parts Distribution Center.

The estimated total cost of new parts needed to replace old parts is \$Quote (US, 2022).

The new parts are available.

C. Material Necessary for Each Engine

The quantity of materials listed in this section is on a per engine basis.

<u>New P/N</u>	<u>Keyword</u>	<u>Old P/N</u>	<u>Qty</u>	<u>Est. Unit List Price (\$US, 2022)</u>	<u>Instructions Dispositions</u>
PT6A-52 (BS1358), PT6A-60AG (BS919, BS976, BS1049, BS1210, BS1212), PT6A-61 (BS618), PT6A-62 (BS641, BS741, BS833, BS855, BS917, BS938, BS960, BS981, BS982, BS1044, BS1170, BS1173, BS1190, BS1320), PT6A-65AG (BS708, BS903, BS1101, BS1102), PT6A-65AR (BS652, BS697, BS738), PT6A-65B (BS595, BS661, BS851, BS1403), PT6A-65R (BS578) :					

PRATT & WHITNEY CANADA SERVICE BULLETIN

P&WC S.B. No. 13533

TURBOPROP ENGINE ACCESSORY GEARBOX HOUSING ASSEMBLY - REPLACEMENT OF

2. Material Information (Cont'd)

<u>New P/N</u>	<u>Keyword</u>	<u>Old P/N</u>	<u>Qty</u>	<u>Est. Unit List Price (\$US, 2022)</u>	<u>Instructions Dispositions</u>
3127256-01	Housing Assembly, Accessory Gearbox	3074449-01	1	Quote	(A)(C)
ST3859-036	.Stud, Straight	AN125994	4	Quote	(A)
ST3859-046	.Stud, Straight	AN126000	2	122.50	(A)
ST3859-061	.Stud, Straight	AN126018	3	Quote	(A)
ST3897-056	.Stud, Straight	AN126336	4	137.70	(A)
ST3174-016	.Stud, Stepped	AN154726	2	64.97	(A)
AS3510-0218K	.Cable, Safety, Kit		1	21.75	(A)
	.Wire, Safety, 0.025 Dia	MS9226-03	AR		
3126950-01	.Housing, Accessory Gearbox	3074447-01	NP		(B)

For the PT6A-52 (BS1228, BS1269, BS1270, BS1435), PT6A-60A (BS613, BS662, BS1024, BS1025, BS1271, BS1272), PT6A-61 (BS1236, BS1275):

3127257-01	Housing Assembly, Accessory Gearbox	3074848-01	1	Quote	(A)(C)
ST3859-036	.Stud, Straight	AN125994	4	Quote	(A)
ST3859-046	.Stud, Straight	AN126000	2	122.50	(A)
ST3859-061	.Stud, Straight	AN126018	3	Quote	(A)
ST3897-056	.Stud, Straight	AN126336	4	137.70	(A)
ST3174-016	.Stud, Stepped	AN154726	2	64.97	(A)
AS3510-0218K	.Cable, Safety, Kit		1	21.75	(A)
	.Wire, Safety, 0.025 Dia	MS9226-03	AR		
3126950-01	.Housing, Accessory Gearbox	3074447-01	NP		(B)

(A) TWO WAY INTERCHANGEABLE (ATA 200 Explanation Code 02): The old or the new parts can replace the old or the new part.

(B) NOT INTERCHANGEABLE - (ATA 200 Explanation Code 03): The old part must replace the old part; the new part must replace new part.

PRATT & WHITNEY CANADA

SERVICE BULLETIN

P&WC S.B. No. 13533

TURBOPROP ENGINE ACCESSORY GEARBOX HOUSING ASSEMBLY - REPLACEMENT OF

2. Material Information (Cont'd)

<u>New P/N</u>	<u>Keyword</u>	<u>Old P/N</u>	<u>Qty</u>	<u>Est. Unit List Price (\$US, 2022)</u>	<u>Instructions Dispositions</u>
----------------	----------------	----------------	------------	--	--------------------------------------

(C) Discard the part if it is unserviceable. Return a serviceable part to stock.

D. Reidentified Parts

None.

E. Tooling - Price and Availability

Not Applicable

3. Accomplishment Instructions

A. Remove the parts in the Old P/N list in Para. 2.C., Material Information, in accordance with the overhaul manual instructions as follows:

- Ref. MM 72-60-00 ACCESSORY GEARBOX ASSEMBLY - MAINTENANCE PRACTICES.
- Ref. OHM 72-00-00, ENGINE - DISASSEMBLY-3: MAJOR SUBASSYS.

B. Install the parts in the New P/N list in Para. 2.C., Material Information, in accordance with the overhaul manual instructions as follows:

- Ref. MM 72-60-00 ACCESSORY GEARBOX ASSEMBLY - MAINTENANCE PRACTICES.
- Ref. OHM 72-00-00, ENGINE - FINAL ASSEMBLY-1: MODULES AND MAJOR SUB-ASSY.

C. Write the accomplishment of P&WC S.B. SB13533 in the engine module log book.

4. Appendix

Refer to Figure 1 for the PT6A-52 part progression of the Accessory Gearbox Housing Assembly.

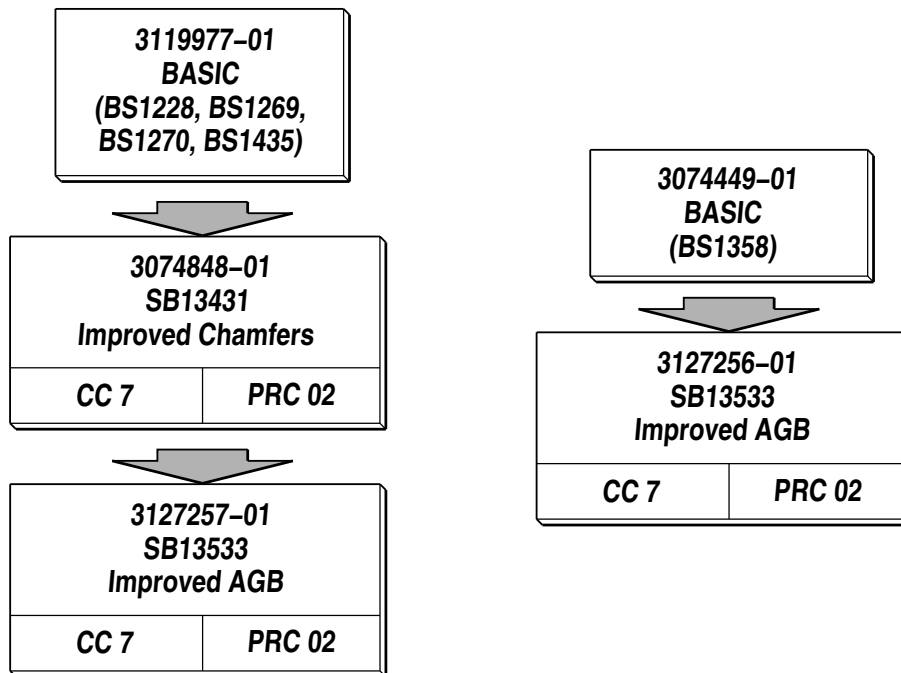
Refer to Figure 2 for the PT6A-60A, PT6A-61, PT6A-65AG, PT6A-65AG, PT6A-65B, PT6A-65R part progression of the Accessory Gearbox Housing Assembly.

Refer to Figure 3 for the PT6A-62 part progression of the Accessory Gearbox Housing Assembly.

PRATT & WHITNEY CANADA
SERVICE BULLETIN

P&WC S.B. No. 13533

TURBOPROP ENGINE
ACCESSORY GEARBOX HOUSING ASSEMBLY - REPLACEMENT OF



ICN-00198-G000126215-001-01

PT6A-52
Accessory Gearbox Housing Assembly - Parts Progression
Figure 1

Jan 18/2023

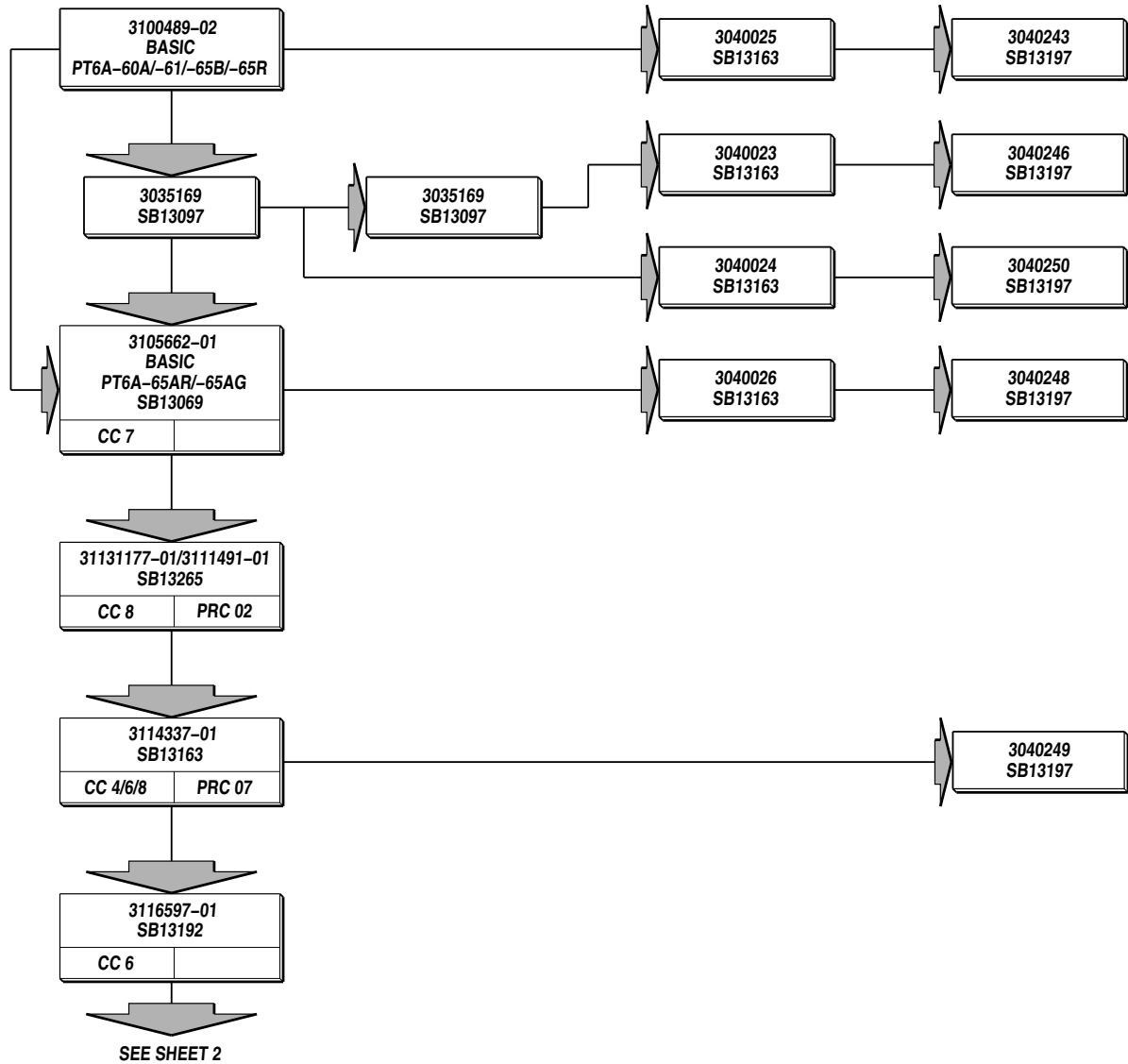
P&WC Proprietary Information. Subject to the restrictions on the back of the locator

PT6A-72-13533
Page 6 of 9

PRATT & WHITNEY CANADA SERVICE BULLETIN

P&WC S.B. No. 13533

TURBOPROP ENGINE ACCESSORY GEARBOX HOUSING ASSEMBLY - REPLACEMENT OF



ICN-00198-G000127187-001-01

PT6A-60A, PT6A-61, PT6A-65AG, PT6A-65AG, PT6A-65B, PT6A-65R
Accessory Gearbox Housing Assembly - Parts Progression
Figure 2 (Sheet 1 of 2)

Jan 18/2023

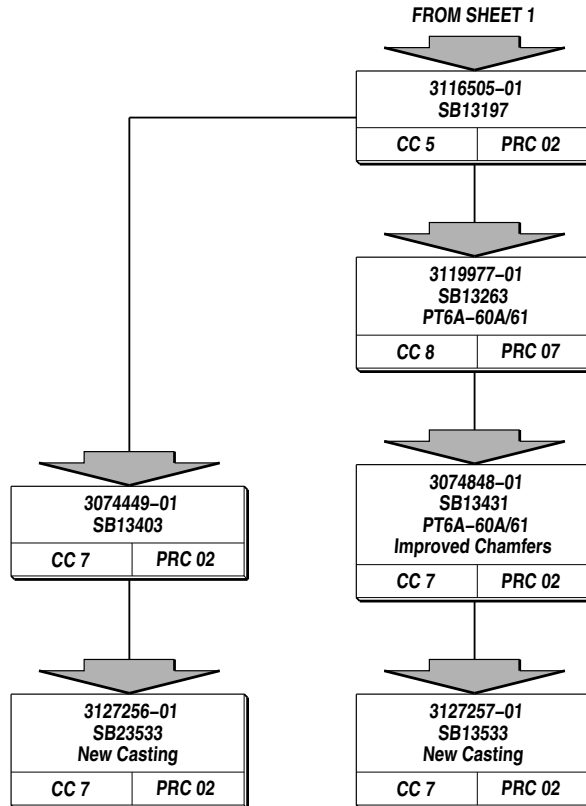
P&WC Proprietary Information. Subject to the restrictions on the back of the locator

PT6A-72-13533
Page 7 of 9

PRATT & WHITNEY CANADA SERVICE BULLETIN

P&WC S.B. No. 13533

TURBOPROP ENGINE ACCESSORY GEARBOX HOUSING ASSEMBLY - REPLACEMENT OF



ICN-00198-G000127654-001-01

PT6A-60A, PT6A-61, PT6A-65AG, PT6A-65AG, PT6A-65B, PT6A-65R
Accessory Gearbox Housing Assembly - Parts Progression
Figure 2 (Sheet 2)

Jan 18/2023

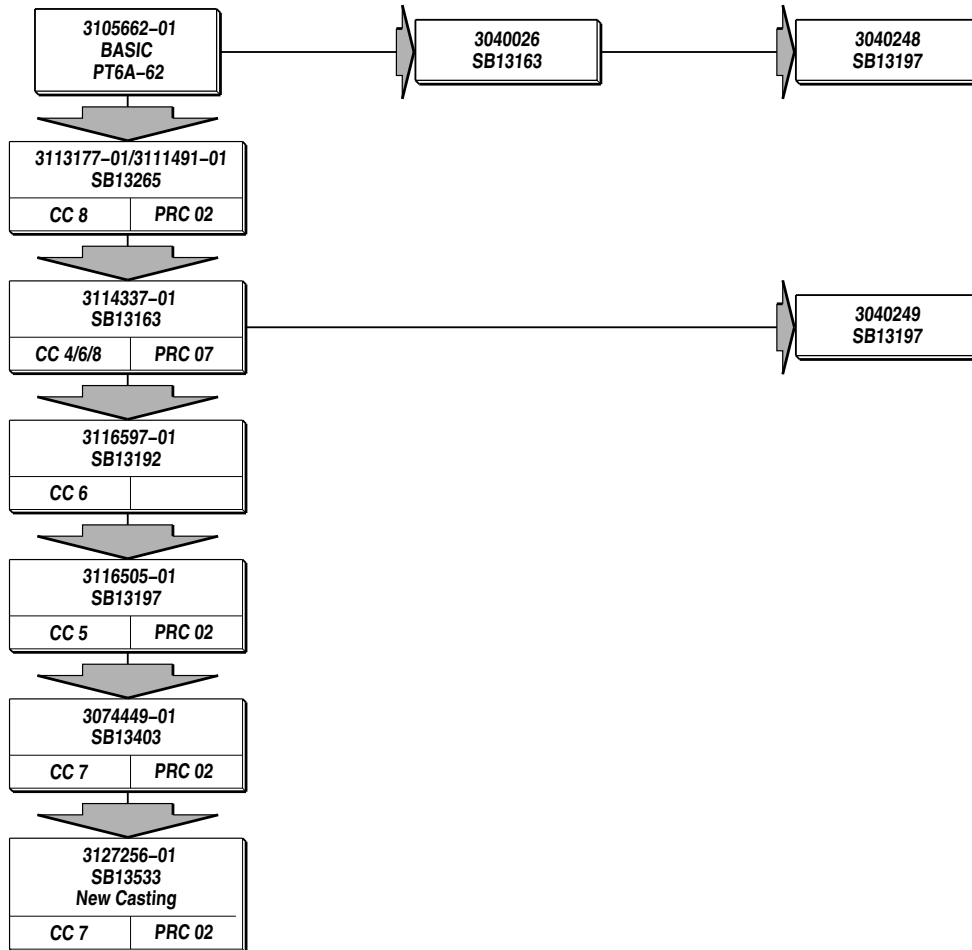
P&WC Proprietary Information. Subject to the restrictions on the back of the locator

PT6A-72-13533
Page 8 of 9

PRATT & WHITNEY CANADA SERVICE BULLETIN

P&WC S.B. No. 13533

TURBOPROP ENGINE ACCESSORY GEARBOX HOUSING ASSEMBLY - REPLACEMENT OF



ICN-00198-G000127225-001-01

PT6A-62
Accessory Gearbox Housing Assembly - Parts Progression
Figure 3

Jan 18/2023

P&WC Proprietary Information. Subject to the restrictions on the back of the locator

PT6A-72-13533
Page 9 of 9