

PRATT & WHITNEY CANADA  
**SERVICE BULLETIN**

P&WC S.B. No. 13519R1

**BULLETIN INDEX LOCATOR**  
**75-30-00**

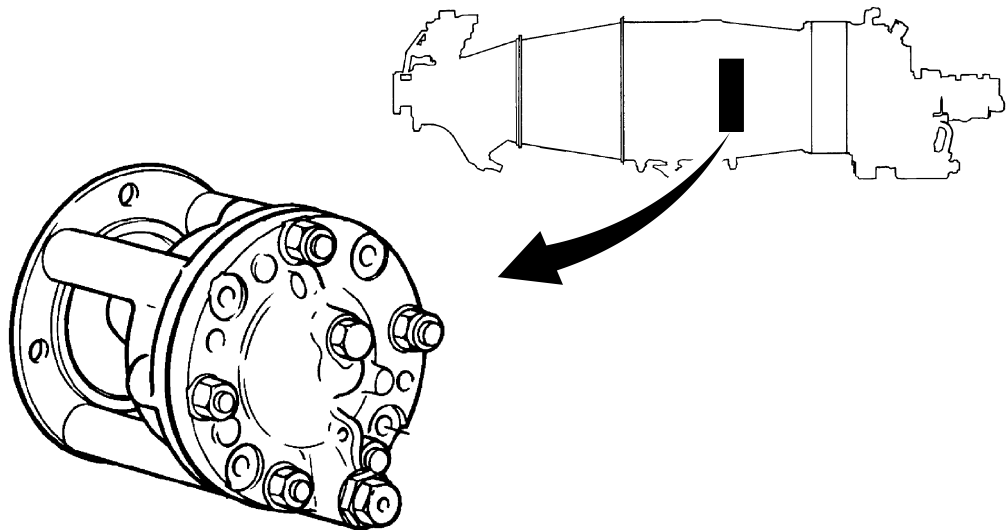
TURBOPROP ENGINE  
COMPRESSOR BLEED VALVE - REPLACEMENT OF

MODEL APPLICATION

PT6A-52, PT6A-60A, PT6A-60AG, PT6A-61, PT6A-62

Compliance: CATEGORY 7

Summary: The compressor bleed valve assembly can be improved. Replace the bleed valve assembly with one that has the housing and cover manufactured by a fully machined process. The opportunity is taken to replace various cadmium plated hardware with ones made from a different material.



Jun 01/2021  
Revision No. 1: Mar 31/2022

**PT6A-75-13519**  
Cover Sheet

24-Hour Global Service <b>CFIRST CENTRE</b> Toll free where available (SIL GEN-027)	USA & CANADA..... 1-800-268-8000 International ..... (IAC*)+8000-268-8000 * International Access Code	Other ..... 1-450-647-8000 Fax ..... 1-450-647-2888 Web Site ..... <a href="http://www.pwc.ca">www.pwc.ca</a>
---	---	---

WARNING - PROPRIETARY RIGHTS & EXPORT CONTROLS NOTICE

This bulletin contains proprietary information of Pratt & Whitney Canada Corp. ("P&WC"), which P&WC provides in confidence and solely for the purposes of supporting engine certification and providing applicable information regarding the proper use, maintenance, inspection, repair, servicing and parts application of P&WC products and services, as directed therein. Neither this bulletin nor any information in it may be disclosed to others, or used for any other purpose, including, without limitation, to design, create, develop, reproduce, manufacture or derive any design, part, product, material, process, modification, configuration change or repair, or obtain FAA or other government approval to do so. Possession and use of this bulletin is also subject to the restrictions set out in P&WC's Technical Data Agreement (a copy of which may be obtained by contacting P&WC Technical Publications). The contents of this bulletin may be subject to export control laws. Unauthorized export or re-export of the bulletin, or parts thereof, is prohibited. By accepting and possessing this bulletin, you agree to be bound by the foregoing terms.

If a Government agency or department intends to disclose any information, written notice should be given to:

VP - Legal Services, Pratt & Whitney Canada Corp., 1000 Marie-Victorin (01BE5), Longueuil, Quebec J4G 1A1.

Pratt & Whitney Canada Corp.  
1000, Marie-Victorin  
Longueuil, Québec, Canada J4G 1A1  
Tél. 450-677-9411



**Pratt & Whitney Canada**

A United Technologies Company

Mar 31/2022

P&WC S.B. No. 13519R1

REVISION TRANSMITTAL SHEET  
TURBOPROP ENGINE MODEL PT6A

SUBJECT: Pratt & Whitney Canada Service Bulletin No. PT6A-75-13519, Rev. No. 1 dated Mar 31/2022 (P&WC S.B. No. 13519R1) COMPRESSOR BLEED VALVE - REPLACEMENT OF

Replace your existing copy of this service bulletin with the attached revised bulletin. Destroy the superseded copy.

Please retain this Revision Transmittal Sheet with the revised bulletin.

SUMMARY:

This revision is issued to:

- Modify the PT6A-62 engine effectivity.

EFFECT OF REVISION ON PRIOR ACCOMPLISHMENT:

None.

REVISION HISTORY:

Original Issue: Jun 01/2021

Revision No. 1: Mar 31/2022



PRATT & WHITNEY CANADA  
**SERVICE BULLETIN**

P&WC S.B. No. 13519R1

TURBOPROP ENGINE  
COMPRESSOR BLEED VALVE - REPLACEMENT OF

1. Planning Information

A. Effectivity

PT6A-52 BS1228, BS1269, BS1270, BS1358, BS1435 Engines which are before and include Serial No. PCE-RX1156.

PT6A-60A BS613, BS662, BS1024, BS1025, BS1271, BS1272 Engines which are before and include Serial No. PCE-PK2698 and PCE-95006 thru PCE-95828.

PT6A-60AG BS919, BS976, BS1048, BS1049, BS1210, BS1212 Engines which are before and include Serial No. PCE-RG0219.

PT6A-61 BS618, BS1236, BS1275 Engines which are before and include Serial No. PCE-HA0305 and Serial No. which include PCE-99001 thru PCE-99142.

PT6A-62 BS641, BS741, BS833, BS855, BS917, BS938, BS960, BS981, BS982, BS1044, BS1110, BS1173, BS1190, BS1320 Engines which are before and include Serial No. PCE-PL0192 and PCE-103001 thru PCE-103248.

B. Concurrent Requirements

None.

C. Reason

(1) Problem

The compressor bleed valve assembly can be improved.

(2) Cause

The bleed valve housing and cover casting process is not optimal.

(3) Solution

Replace the bleed valve assembly with one that has the housing and cover manufactured by a fully machined process. Also the opportunity is taken to replace various cadmium plated hardware with ones made from a different material

D. Description

Replace the BOV with a new one.

E. Compliance

CATEGORY 7 - You can do this service bulletin when the supply of superseded parts is fully used.

F. Approval

D.O.T./D.A.A . Approved.

P&WC No. CO-0009357

Jun 01/2021

Revision No. 1: Mar 31/2022

P&WC Proprietary Information. Subject to the restrictions on the back of the locator

© 2021 Pratt & Whitney Canada Corp.

PRINTED IN CANADA

**PT6A-75-13519**

Page 1 of 9

PRATT & WHITNEY CANADA  
**SERVICE BULLETIN**

P&WC S.B. No. 13519R1

TURBOPROP ENGINE  
COMPRESSOR BLEED VALVE - REPLACEMENT OF

1. Planning Information (Cont'd)

G. Manpower

Not applicable.

H. Weight and Balance

None.

I. Electrical Load Data

Not applicable.

J. Software Accomplishment Summary

Not applicable.

K. References

Illustrated Parts Catalog P/N [3072864](#) (PT6A-52)

Illustrated Parts Catalog P/N [3034344](#) (PT6A-60A/60AG/61)

Illustrated Parts Catalog P/N [3034544](#) (PT6A-62)

Maintenance Manual P/N [3072862](#) (PT6A-52)

Maintenance Manual P/N [3034342](#) (PT6A-60A/60AG/61)

Maintenance Manual P/N [3034542](#) (PT6A-62)

Overhaul Manual P/N [3072863](#) (PT6A-52)

Overhaul Manual P/N [3034343](#) (PT6A-60A/60AG/61)

Overhaul Manual P/N [3034543](#) (PT6A-62)

L. Publications Affected

Illustrated Parts Catalog P/N [3072864](#) (PT6A-52)

Illustrated Parts Catalog P/N [3034344](#) (PT6A-60A/60AG/61)

Illustrated Parts Catalog P/N [3034544](#) (PT6A-62)

Maintenance Manual P/N [3072862](#) (PT6A-52)

# PRATT & WHITNEY CANADA SERVICE BULLETIN

P&WC S.B. No. 13519R1

## TURBOPROP ENGINE COMPRESSOR BLEED VALVE - REPLACEMENT OF

1. Planning Information (Cont'd)

Maintenance Manual P/N [3034342](#) (PT6A-60A/60AG/61)

Maintenance Manual P/N [3034542](#) (PT6A-62)

Overhaul Manual P/N [3072863](#) (PT6A-52)

Overhaul Manual P/N [3034343](#) (PT6A-60A/60AG/61)

Overhaul Manual P/N [3034543](#) (PT6A-62)

M. Interchangeability and Intermixability of Parts

Interchangeability - Refer to Para. 2.C.

Intermixability - Not changed.

2. Material Information

A. Industry Support Information

Not applicable.

B. Material - Price and Availability

You can get the procurable parts listed in Para. 2.C. from any Pratt & Whitney Canada Parts Distribution Center.

The estimated total cost of new parts needed to replace old parts is Quote (US, 2021).

The new parts are available.

C. Material Necessary for Each Engine

The quantity of materials listed in this section is on a per engine basis.

<u>New P/N</u>	<u>Keyword</u>	<u>Old P/N</u>	<u>Qty</u>	<u>Est. Unit List Price (\$US, 2021)</u>	<u>Instructions Dispositions</u>
<b>PT6A-62(BS641, BS741, BS833, BS855, BS917, BS938, BS960, BS981, BS982, BS1173, BS1190, BS1320:)</b>					
3133925	Valve Assembly, Compressor Bleed	3072715-01	1		(A)(C)

Jun 01/2021

Revision No. 1: Mar 31/2022

P&WC Proprietary Information. Subject to the restrictions on the back of the locator

**PT6A-75-13519**

Page 3 of 9

# PRATT & WHITNEY CANADA

# SERVICE BULLETIN

P&WC S.B. No. 13519R1

## TURBOPROP ENGINE COMPRESSOR BLEED VALVE - REPLACEMENT OF

### 2. Material Information (Cont'd)

<u>New P/N</u>	<u>Keyword</u>	<u>Old P/N</u>	<u>Qty</u>	<u>Est. Unit List Price (\$US, 2021)</u>	<u>Instructions Dispositions</u>
3133906	.Housing Assembly, Compressor Bleed Valve	3056987-01	1		(B)
3133860	..Housing, Compressor Bleed Valve	3056707-01	1	NP	
ST3174-021	..Stud, Stepped,.250- 20X.190-32X1.125	AN154732	5		(B)
MS9816-05	.Bolt, Mach, DR HEX	MS9529-05	3		(B)
3133916	.Cover Assembly, Compressor Bleed Valve	3070261-01	1		(B)
3133915	..Cover, Compressor Bleed Valve	3070260-01	1	NP	
MS9321-09	.Washer, Flat	MS9320-09	5		(B)
ST3032-09	.Nut Option (IC)	3012675	5		(B)
AS3510-0218K	.Wire-Safety,.025 DIA	MS9226-03	999		(A)
<b>PT6A-52(BS1228, BS1269, BS1270, BS1358, BS1435), PT6A-60A(BS1024, BS1025, BS1271, BS1272, BS613, BS662), PT6A-60AG(BS1048, BS1049, BS1210, BS1212, BS919, BS976), PT6A-61(BS1236, BS1275, BS618)</b>					
3136457	Valve Assembly, Compressor Bleed	3136046	1		(A)(C)
3133902	.Housing Assembly, Compressor Bleed Valve	3102073-04	1		(B)
3133857	..Housing, Compressor Bleed Valve	3103172-01	1	NP	
ST3174-021	..Stud, Stepped,.250- 20X.190-32X1.125	AN154732	5		(B)
MS9816-05	.Bolt, Mach, DR HEX	MS9529-05	3		(B)
3133908	.Cover Assembly, Compressor Bleed Valve	3102070-02	1		(B)
3133907	..Cover, Compressor Bleed Valve	3102069-01	1	NP	

Jun 01/2021

P&WC Proprietary Information. Subject to the restrictions on the back of the locator

Revision No. 1: Mar 31/2022

**PT6A-75-13519**

Page 4 of 9



# PRATT & WHITNEY CANADA SERVICE BULLETIN

P&WC S.B. No. 13519R1

## TURBOPROP ENGINE COMPRESSOR BLEED VALVE - REPLACEMENT OF

### 2. Material Information (Cont'd)

<u>New P/N</u>	<u>Keyword</u>	<u>Old P/N</u>	<u>Qty</u>	<u>Est. Unit List Price (\$US, 2021)</u>	<u>Instructions Dispositions</u>
MS9321-09	.Washer, Flat	MS9320-09	5		(B)
ST3081-10	.Nut Option (IC)	3012675	5		(B)
AS3510-0218K	.WIRE-SAFETY,.025 DIA	MS9226-03	999		(A)

(A) TWO WAY INTERCHANGEABLE - (ATA 200 Explanation Code 02): The old or the new part can replace the old or the new part.

(B) NOT INTERCHANGEABLE - (ATA 200 Explanation Code 03): The old part must replace the old part; the new part must replace new part.

(C) Discard the old part if it is unserviceable.

#### D. Reidentified Parts

None.

#### E. Tooling - Price and Availability

Not Applicable.

### 3. Accomplishment Instructions

A. Remove the parts in the Old P/N list in Para. 2.C., Material Information, in accordance with the maintenance or overhaul manual instructions as follows:

Ref. MM 75-30-00 COMPRESSOR BLEED VALVE - MAINTENANCE PRACTICES.

Ref. OHM 75-30-00 COMPRESSOR BLEED VALVE - DISASSEMBLY.

B. Install the parts in the New P/N list in Para. 2.C., Material Information, in accordance with the maintenance or overhaul manual instructions as follows:

Ref. MM 75-30-00 COMPRESSOR BLEED VALVE - MAINTENANCE PRACTICES.

Ref. OHM 75-30-00 COMPRESSOR BLEED VALVE - ASSEMBLY.

C. Write the accomplishment of P&WC SBNo. 13519 in the engine module log book.

### 4. Appendix

Refer to Figure 1 for parts progression.

Refer to Figure for the F&C.

Jun 01/2021

Revision No. 1: Mar 31/2022

P&WC Proprietary Information. Subject to the restrictions on the back of the locator

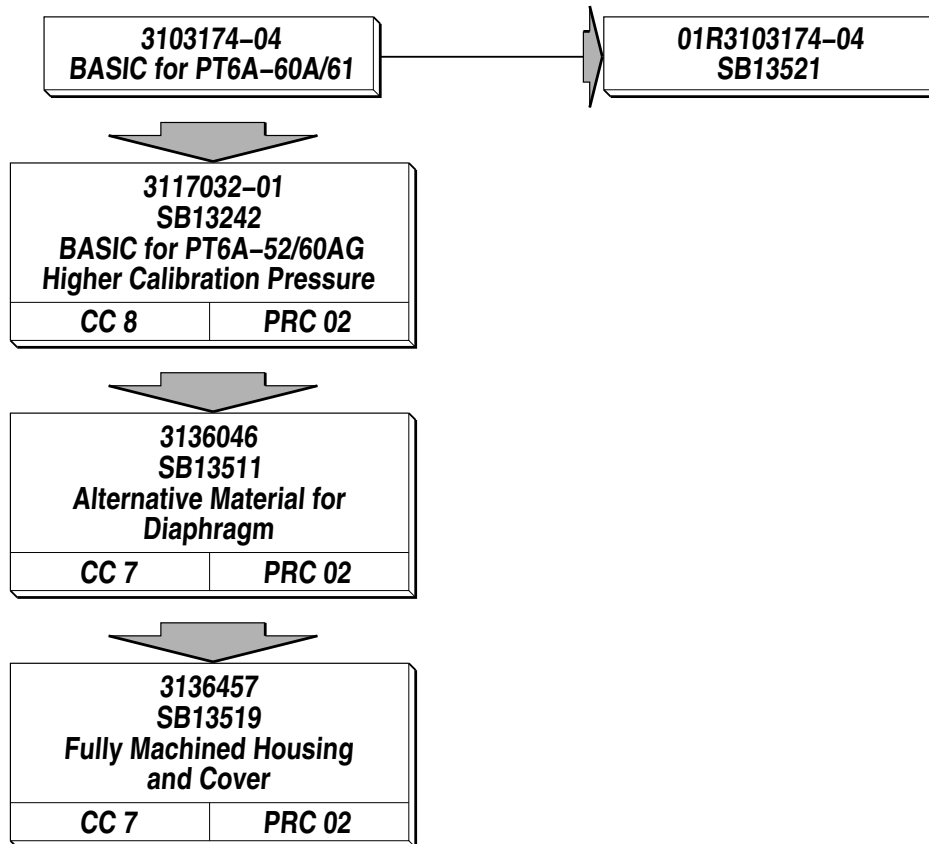
**PT6A-75-13519**

Page 5 of 9

PRATT & WHITNEY CANADA  
**SERVICE BULLETIN**

P&WC S.B. No. 13519R1

TURBOPROP ENGINE  
COMPRESSOR BLEED VALVE - REPLACEMENT OF



ICN-00198-G000045201-001-01

Compressor Bleed Valve - Parts Progression  
Figure 1 (Sheet 1 of 2)

Jun 01/2021  
Revision No. 1: Mar 31/2022

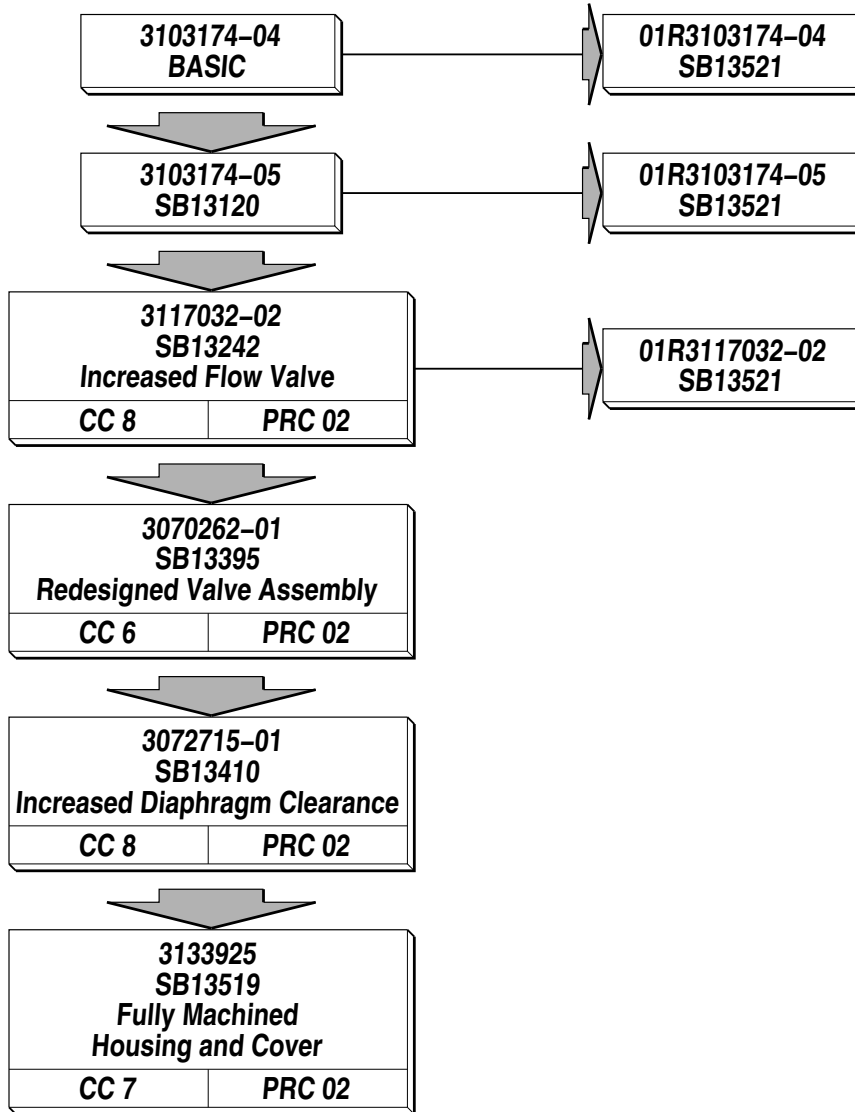
P&WC Proprietary Information. Subject to the restrictions on the back of the locator

**PT6A-75-13519**  
Page 6 of 9

# PRATT & WHITNEY CANADA SERVICE BULLETIN

P&WC S.B. No. 13519R1

## TURBOPROP ENGINE COMPRESSOR BLEED VALVE - REPLACEMENT OF



**PT6A-62**

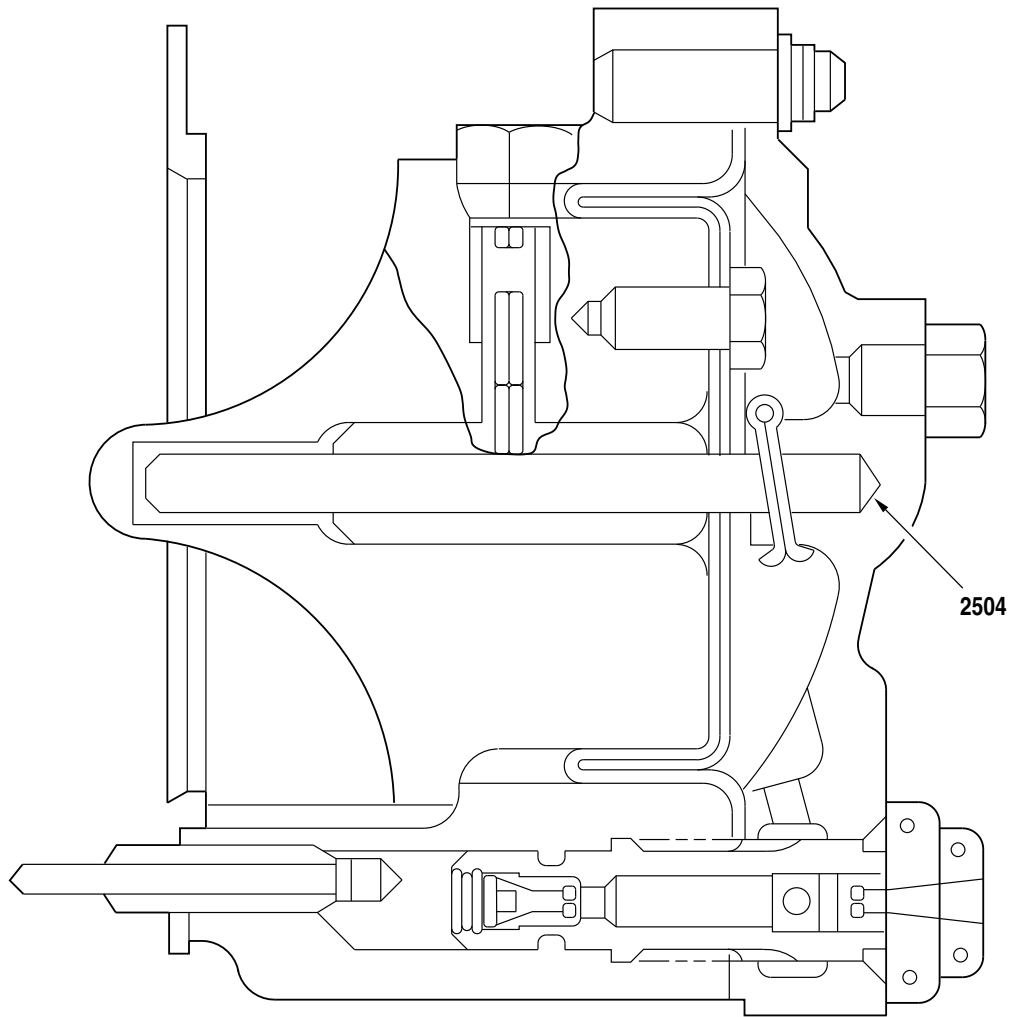
ICN-00198-G000045214-001-01

Compressor Bleed Valve - Parts Progression  
Figure 1 (Sheet 2)

PRATT & WHITNEY CANADA  
**SERVICE BULLETIN**

P&WC S.B. No. 13519R1

TURBOPROP ENGINE  
COMPRESSOR BLEED VALVE - REPLACEMENT OF



ICN-00198-G000045221-001-01

Fits and Clearances  
Figure 2

Jun 01/2021  
Revision No. 1: Mar 31/2022

P&WC Proprietary Information. Subject to the restrictions on the back of the locator

**PT6A-75-13519**  
Page 8 of 9

# PRATT & WHITNEY CANADA SERVICE BULLETIN

P&WC S.B. No. 13519R1

## TURBOPROP ENGINE COMPRESSOR BLEED VALVE - REPLACEMENT OF

4. Appendix (Cont'd)

TABLE 1, Fits and Clearances

REF. NO.	IFR	Name	Dim. for Ref. inches (mm)		Limits inches (mm)		Replace
			Min.	Max.	Min.	Max	
<b>PRE-SB</b> 2504		Cover - Compressor Bleed Valve Shaft	0.2340 (5.944)	0.2350 (5.969)	0.0015T (0.038)T	0.0000 (0.000)	
		Shaft - Guide Pin, Bleed Valve Piston	0.2350 (5.969)	0.2355 (5.982)			
<b>POST-SB</b> 2504		Cover - Compressor Bleed Valve Shaft	0.2340 (5.944)	0.2345 (5.956)	0.0005T (0.013)T	0.0015T (0.038)T	
		Shaft - Guide Pin, Bleed Valve Piston	0.2350 (5.969)	0.2355 (5.982)			