


NOTES :

1. MACHINING ALL OVER IN ACCORDANCE WITH ISO 14649-2012:2011 OR EQUIVALENT.
2. APPLY KNURLING IN ACCORDANCE WITH ISO 13444-2012(E) OR EQUIVALENT.
3. REMOVE ALL SHARP EDGES AND BURRS.
4. THE SPECIAL TOOLS DRAWINGS ARE MADE REFERENCE WITH ITEM PART NUMBER 3G6005G00231.

REV	DESCRIPTION	DATE
0	INITIAL REVISION	01/12/2021

ITEM NO	PART NUMBER	QTY	DESCRIPTION	MATERIAL	SPECIFICATIONS	REMARK
2	ED085001-002	1	PULLER KIT 2	STAINLESS STEEL, PLASTIC	-	-
1	ED085001-001	1	PULLER KIT 1	STAINLESS STEEL	-	-

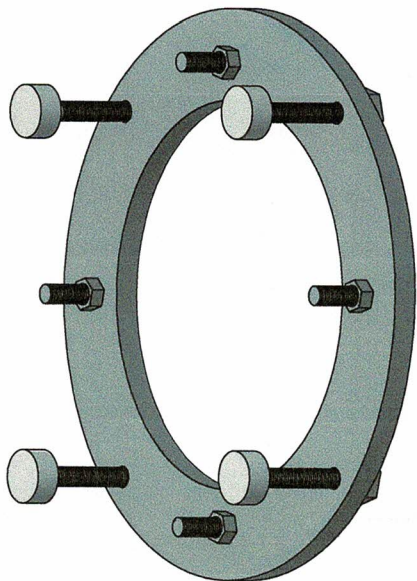
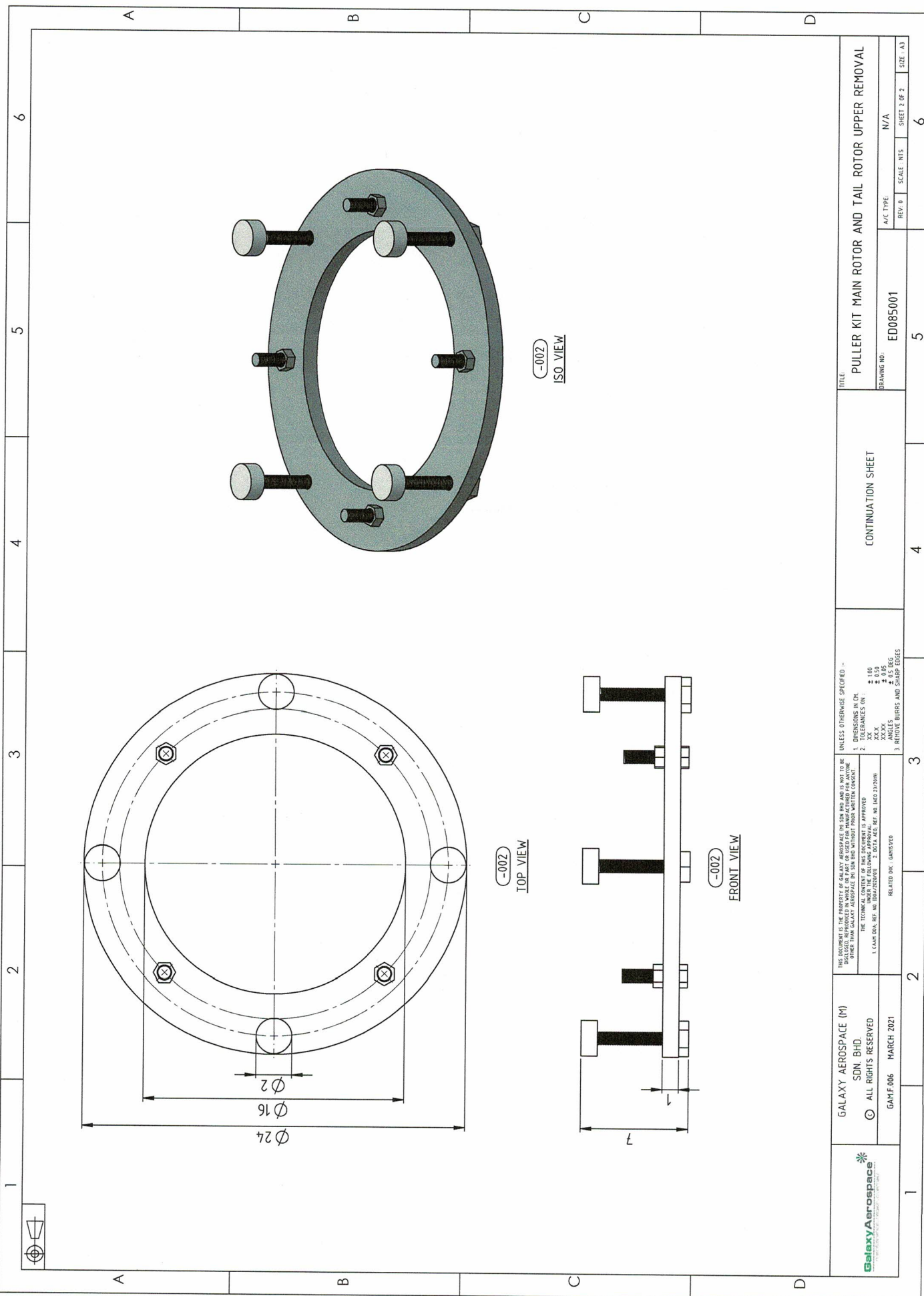
PREPARED BY: AHMAD DAYTON OTHMAN	DATE: 01/12/2021	TITLE: PULLER KIT MAIN ROTOR AND TAIL ROTOR UPPER REMOVAL
APPROVED BY: IP NAZAM NAZAR	DRAWING NO: ED085001	A/C TYPE: N/A
REV 0	SCALE: NTS	SHEET 1 OF 2
4	5	6


GALAXY AEROSPACE (M) SDN BHD.
 ALL RIGHTS RESERVED
 MARCH 2021
 GAME-006

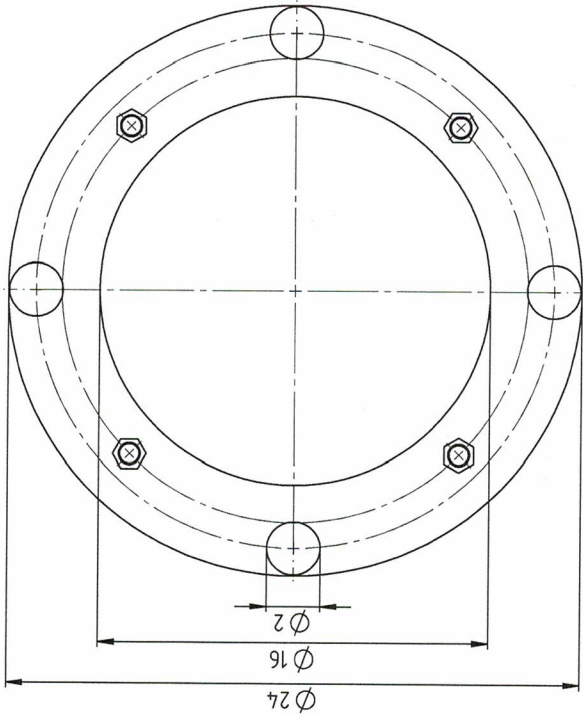
THIS DOCUMENT IS THE PROPERTY OF GALAXY AEROSPACE (M) SDN BHD AND IS NOT TO BE REPRODUCED OR TRANSMITTED IN ANY FORM OR BY ANY MEANS, ELECTRONIC OR MECHANICAL, INCLUDING PHOTOCOPYING, RECORDING, OR BY ANY INFORMATION STORAGE AND RETRIEVAL SYSTEM, WITHOUT THE WRITTEN CONSENT OF GALAXY AEROSPACE (M) SDN BHD.

THE TECHNICAL CONTENT OF THIS DOCUMENT IS APPROVED
 1. CLAIM DUAL, REF. NO. DDM/2020/038 2. DGT/A.450, REF. NO. IAGD (21/759)
 RELATED DOC: GAMES/010

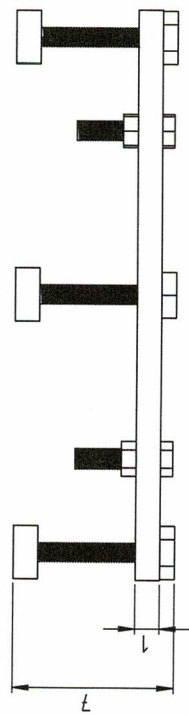
UNLESS OTHERWISE SPECIFIED -
 1. DIMENSIONS IN CM
 2. TOLERANCES ON:
 XXXX: ± 0.05
 XXXX: ± 0.05
 XXXX: ± 0.05
 3. REMOVE BURRS AND SHARP EDGES




-002
ISO VIEW



-002
TOP VIEW



-002
FRONT VIEW

 <p>Galaxy Aerospace AEROSPACE SYSTEMS</p>	<p>GALAXY AEROSPACE (M) SDN. BHD</p> <p>© ALL RIGHTS RESERVED</p> <p>GAMF 006 MARCH 2021</p>	<p>THIS DOCUMENT IS THE PROPERTY OF GALAXY AEROSPACE (M) SDN BHD AND IS NOT TO BE REPRODUCED OR TRANSMITTED IN ANY FORM OR BY ANY MEANS, ELECTRONIC OR MECHANICAL, INCLUDING PHOTOCOPYING, RECORDING, OR BY ANY INFORMATION STORAGE AND RETRIEVAL SYSTEM, WITHOUT THE WRITTEN CONSENT OF GALAXY AEROSPACE (M) SDN BHD.</p> <p>THE TECHNICAL CONTENT OF THIS DOCUMENT IS APPROVED</p> <p>1. GAMF 006, REF. NO. 1004/0202/01/01 2. DATA 040, REF. NO. 1040 23/2018</p> <p>RELATED DOC: 1040/100</p>	<p>UNLESS OTHERWISE SPECIFIED :-</p> <p>1. DIMENSIONS IN CM</p> <p>2. TOLERANCES IN CM :</p> <p>XXX ± 0.05 XXX ± 0.05 XXX ± 0.05</p> <p>3. REMOVE BURRS AND SHARP EDGES</p>	<p>TITLE: PULLER KIT MAIN ROTOR AND TAIL ROTOR UPPER REMOVAL</p> <p>DRAWING NO: ED085001</p>	<p>CONTINUATION SHEET</p>	<p>A/C TYPE: N/A</p> <p>REV. 0 SCALE: NTS</p>	<p>SHEET 2 OF 2</p>	<p>SIZE: A3</p>
	1	2	3	4	5	6		