

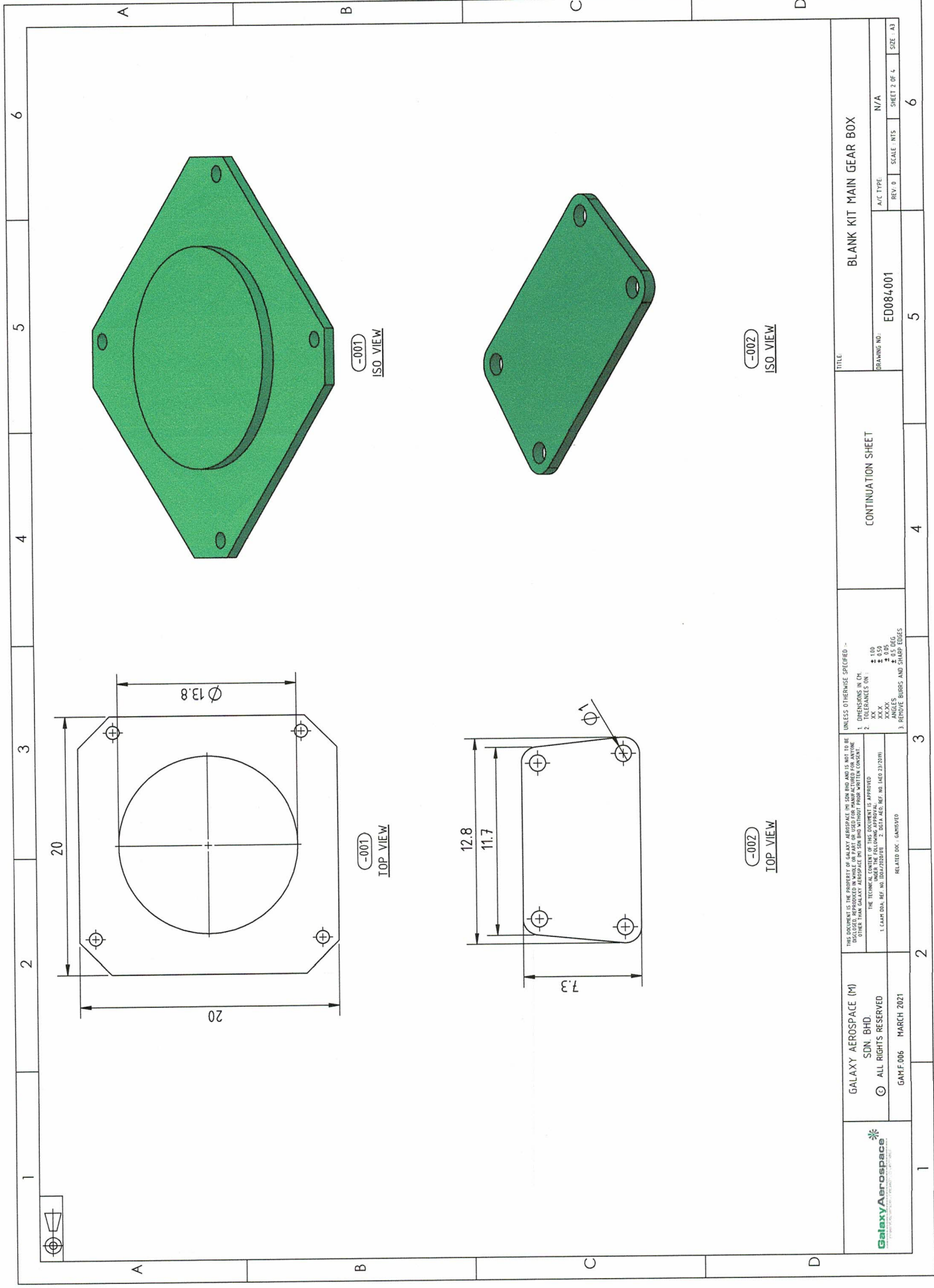
- NOTES :
- 3 DIMENSIONAL PRINT IN ACCORDANCE WITH ISO/ASTM 52900:2015 OR EQUIVALENT.
 - REMOVE ALL SHARP EDGES AND BURRS.
 - THE SPECIAL TOOLS DRAWINGS ARE MADE REFERENCE WITH ITEM PART NUMBER 3G6305G08731

ITEM NO	PART NUMBER	QTY	DESCRIPTION	MATERIAL	SPECIFICATIONS	REMARK
6	ED084001-006	1	BLANK KIT 6	PLASTIC	1.0 CM THICKNESS	-
5	ED084001-005	1	BLANK KIT 5	PLASTIC	4.6 CM THICKNESS	-
4	ED084001-004	1	BLANK KIT 4	PLASTIC	1.0 CM THICKNESS	-
3	ED084001-003	1	BLANK KIT 3	PLASTIC	1.41 CM THICKNESS	-
2	ED084001-002	1	BLANK KIT 2	PLASTIC	0.55 CM THICKNESS	-
1	ED084001-001	1	BLANK KIT 1	PLASTIC	1.5 CM THICKNESS	-

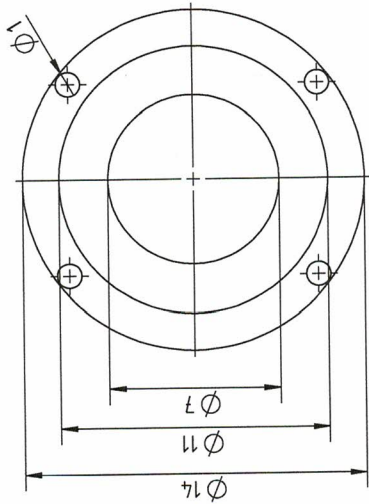
BILL OF MATERIALS	
DATE	01/12/2021
TITLE	BLANK KIT MAIN GEAR BOX
PREPARED BY	ZINAH AHER MUHAMMAD
APPROVED BY	H. NAZAM NAZAR
DRAWING NO.	ED084001
REV 0	SCALE: NTS
SHEET 1 OF 6	6

UNLESS OTHERWISE SPECIFIED -
 1. DIMENSIONS IN (IN)
 2. DIMENSIONS IN (MM)
 3. UNLESS SHOWN OTHERWISE, DIMENSIONS ARE TO BE TAKEN FROM THE UNFINISHED SURFACE.
 4. DIMENSIONS ARE TO BE TAKEN FROM THE FINISHED SURFACE.
 5. DIMENSIONS ARE TO BE TAKEN FROM THE UNFINISHED SURFACE.
 6. DIMENSIONS ARE TO BE TAKEN FROM THE FINISHED SURFACE.
 7. DIMENSIONS ARE TO BE TAKEN FROM THE UNFINISHED SURFACE.
 8. DIMENSIONS ARE TO BE TAKEN FROM THE FINISHED SURFACE.
 9. DIMENSIONS ARE TO BE TAKEN FROM THE UNFINISHED SURFACE.
 10. DIMENSIONS ARE TO BE TAKEN FROM THE FINISHED SURFACE.

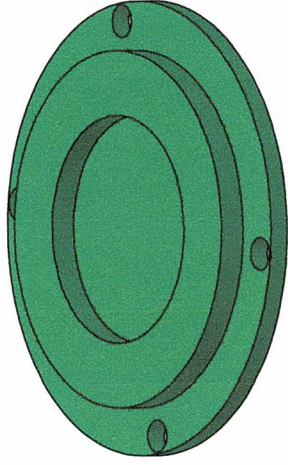
GALAXY AEROSPACE (M)
 SDN BHD
 ALL RIGHTS RESERVED
 GANTF 006 MARCH 2021



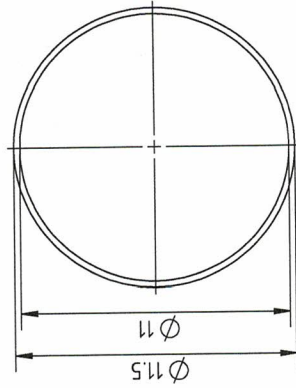
	GALAXY AEROSPACE (M) SDN BHD © ALL RIGHTS RESERVED GAME 006 MARCH 2021	UNLESS OTHERWISE SPECIFIED - DIMENSIONS IN CM TOLERANCES ON: XX ± 0.05 XX.X ± 0.02 XX.XX ± 0.01 ANGLES UNLESS OTHERWISE SPECIFIED 1. CHAMFER REF NO. DD042202058 - 2. BETA AND REF NO. 045 2370W RELATED DOC. GAINTEVO	CONTINUATION SHEET	TITLE BLANK KIT MAIN GEAR BOX
	DRANNING NO: ED084001	A/C TYPE N/A	SCALE: INTS SHEET 2 OF 4	SIZE A3 6



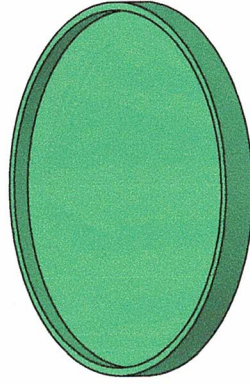
(-003)
TOP VIEW



(-003)
ISO VIEW



(-004)
TOP VIEW



(-004)
ISO VIEW



GALAXY AEROSPACE (M)
SDN. BHD.
ALL RIGHTS RESERVED
GAXF.006 MARCH 2021

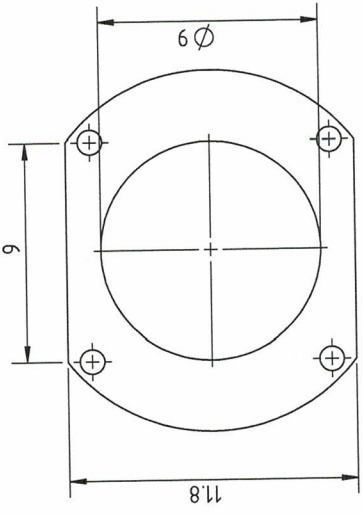
THIS DOCUMENT IS THE PROPERTY OF GALAXY AEROSPACE. NO COPY AND IS NOT TO BE REPRODUCED OR TRANSMITTED IN ANY FORM OR BY ANY MEANS, ELECTRONIC OR MECHANICAL, INCLUDING PHOTOCOPYING, RECORDING, OR BY ANY INFORMATION STORAGE AND RETRIEVAL SYSTEM, WITHOUT THE WRITTEN PERMISSION OF GALAXY AEROSPACE. ANY UNAUTHORIZED REPRODUCTION OR TRANSMISSION OF THIS DOCUMENT IS STRICTLY PROHIBITED AND WILL BE PROSECUTED TO THE FULL EXTENT OF THE LAW.
THE TECHNICAL DATA IS THE PROPERTY OF GALAXY AEROSPACE. IT IS TO BE USED ONLY FOR THE PURPOSES SPECIFIED IN THE DRAWING AND IS NOT TO BE REPRODUCED OR TRANSMITTED IN ANY FORM OR BY ANY MEANS, ELECTRONIC OR MECHANICAL, INCLUDING PHOTOCOPYING, RECORDING, OR BY ANY INFORMATION STORAGE AND RETRIEVAL SYSTEM, WITHOUT THE WRITTEN PERMISSION OF GALAXY AEROSPACE. ANY UNAUTHORIZED REPRODUCTION OR TRANSMISSION OF THIS DOCUMENT IS STRICTLY PROHIBITED AND WILL BE PROSECUTED TO THE FULL EXTENT OF THE LAW.

UNLESS OTHERWISE SPECIFIED -
1. DIMENSIONS IN MILLIMETERS
2. TOLERANCES IN MILLIMETERS
3. ANGLES UNLESS OTHERWISE SPECIFIED
4. REMOVE BURRS AND SHARP EDGES

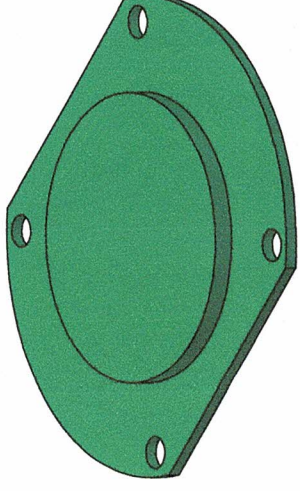
CONTINUATION SHEET

TITLE: BLANK KIT MAIN GEAR BOX
DRAWING NO: ED084.001
A/C TYPE: N/A
REV: 0 SCALE: NTS
SHEET 3 OF 4 SIZE: A3

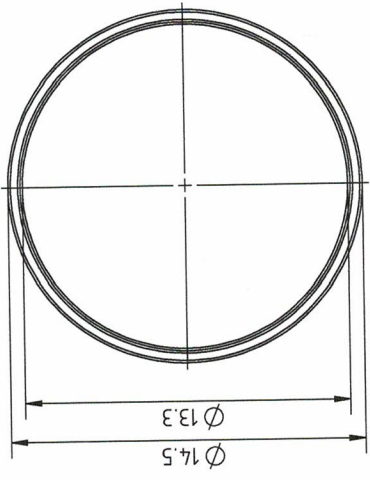
1	2	3	4	5	6
---	---	---	---	---	---



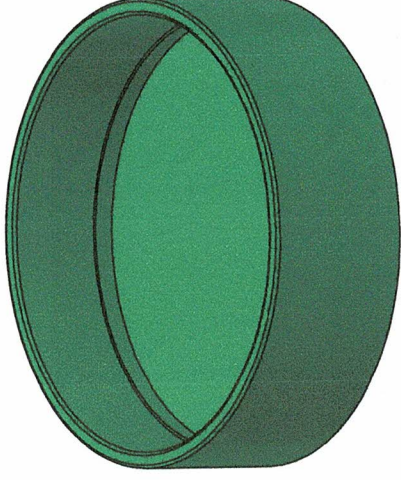
(-005)
FRONT VIEW



(-005)
ISO VIEW



(-006)
FRONT VIEW



(-006)
ISO VIEW



GALAXY AEROSPACE (M)
SUN. BHD.
ALL RIGHTS RESERVED
GAMEF.006 MARCH 2021

THIS DOCUMENT IS THE PROPERTY OF GALAXY AEROSPACE (M) SUN. BHD. IT IS TO BE USED ONLY FOR THE PURPOSES SPECIFIED IN THE TITLE AND NOT TO BE REPRODUCED OR TRANSMITTED IN ANY FORM OR BY ANY MEANS, ELECTRONIC OR MECHANICAL, INCLUDING PHOTOCOPYING, RECORDING, OR BY ANY INFORMATION STORAGE AND RETRIEVAL SYSTEM, WITHOUT THE WRITTEN CONSENT OF GALAXY AEROSPACE (M) SUN. BHD.
THE TECHNICAL CONTENT OF THIS DOCUMENT IS APPROVED
1. LAM. BDA. REF. NO. 1004/2020/01 2. NETA. B.D. REF. NO. 1462.21/2019
RELATED DOC. (AMENDED)

UNLESS OTHERWISE SPECIFIED:-
1. DIMENSIONS IN CM
2. DECIMALS IN .XX
3. ANGLES
4. REMOVE BURRS AND SHARP EDGES

CONTINUATION SHEET

TITLE: BLANK KIT MAIN GEAR BOX
DRAWING NO: ED084.001
A/C TYPE: N/A
REV. 0 SCALE: NTS SHEET 1 OF 4 SIZE: A3

1	2	3	4	5	6
A	B	C	D		