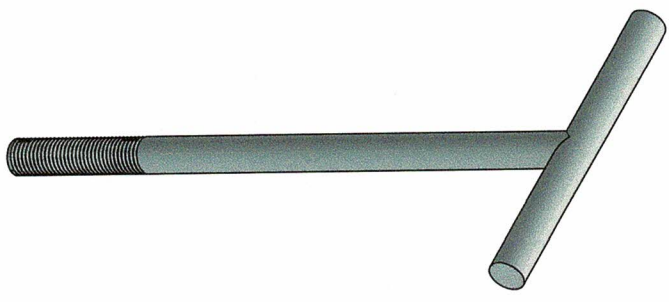
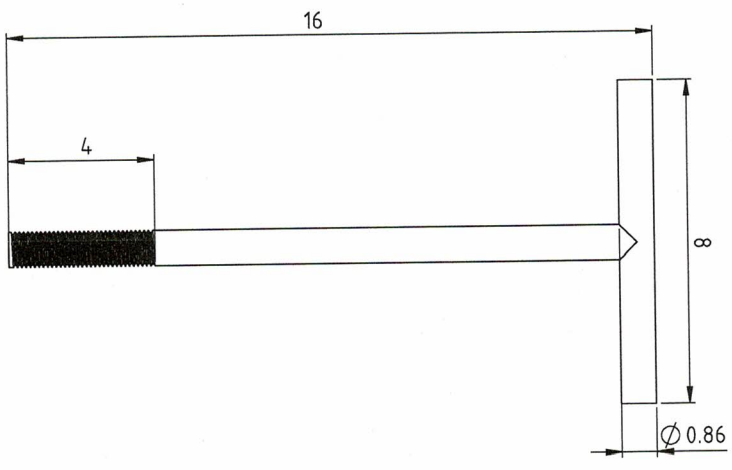


| REV | DESCRIPTION | DATE |
|-----|------------------|------------|
| 0 | INITIAL REVISION | 01/12/2021 |

- NOTES :
1. MACHINING ALL OVER IN ACCORDANCE WITH ISO 14649-2011/2011 OR EQUIVALENT.
 2. REMOVE ALL SHARP EDGES AND BURRS.
 3. THE SPECIAL TOOLS DRAWINGS ARE MADE REFERENCE WITH ITEM PART NUMBER 366005004.31.



| ITEM NO | PART NUMBER | QTY | DESCRIPTION | MATERIAL | SPECIFICATIONS | REMARK |
|---------|--------------|-----|--------------|-----------------|----------------|--------|
| 2 | ED083001-002 | 1 | JACK SCREW 2 | STAINLESS STEEL | - | - |
| 1 | ED083001-001 | 1 | JACK SCREW 1 | STAINLESS STEEL | - | - |

BILL OF MATERIALS

JACK SCREW

GALAXY AEROSPACE (M)
SDN. BHD
ALL RIGHTS RESERVED
GAF F 006 MARCH 2021

UNLESS OTHERWISE SPECIFIED -
1. DIMENSIONS IN CM
2. TOLERANCES ON
XXX ± 0.10
XXX ± 0.05
XXX ± 0.02
3. REMOVE BURRS AND CHAMF EDGES

PREPARED BY:
AHMAD DAYYAN OTHMAN

DATE:
01/12/2021

DRAWING NO:
ED083001

ACT. TYPE:
N/A

REV. 0 SCALE: M15 SHEET 1 OF 2 SIZE: A3



GALAXY AEROSPACE (M)
SDN. BHD
ALL RIGHTS RESERVED
GAF F 006 MARCH 2021

THIS DOCUMENT IS THE PROPERTY OF GALAXY AEROSPACE (M) SDN BHD AND IS NOT TO BE REPRODUCED, COPIED, EITHER WHOLLY OR IN PART, OR TRANSMITTED IN ANY FORM OR BY ANY MEANS, WITHOUT THE WRITTEN CONSENT OF GALAXY AEROSPACE (M) SDN BHD. REF NO: IAD 01/2021

UNLESS OTHERWISE SPECIFIED -
1. DIMENSIONS IN CM
2. TOLERANCES ON
XXX ± 0.10
XXX ± 0.05
XXX ± 0.02
3. REMOVE BURRS AND CHAMF EDGES

PREPARED BY:
AHMAD DAYYAN OTHMAN

DATE:
01/12/2021

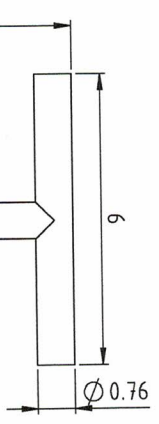
DRAWING NO:
ED083001

ACT. TYPE:
N/A

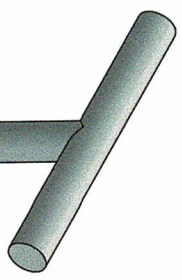
REV. 0 SCALE: M15 SHEET 1 OF 2 SIZE: A3



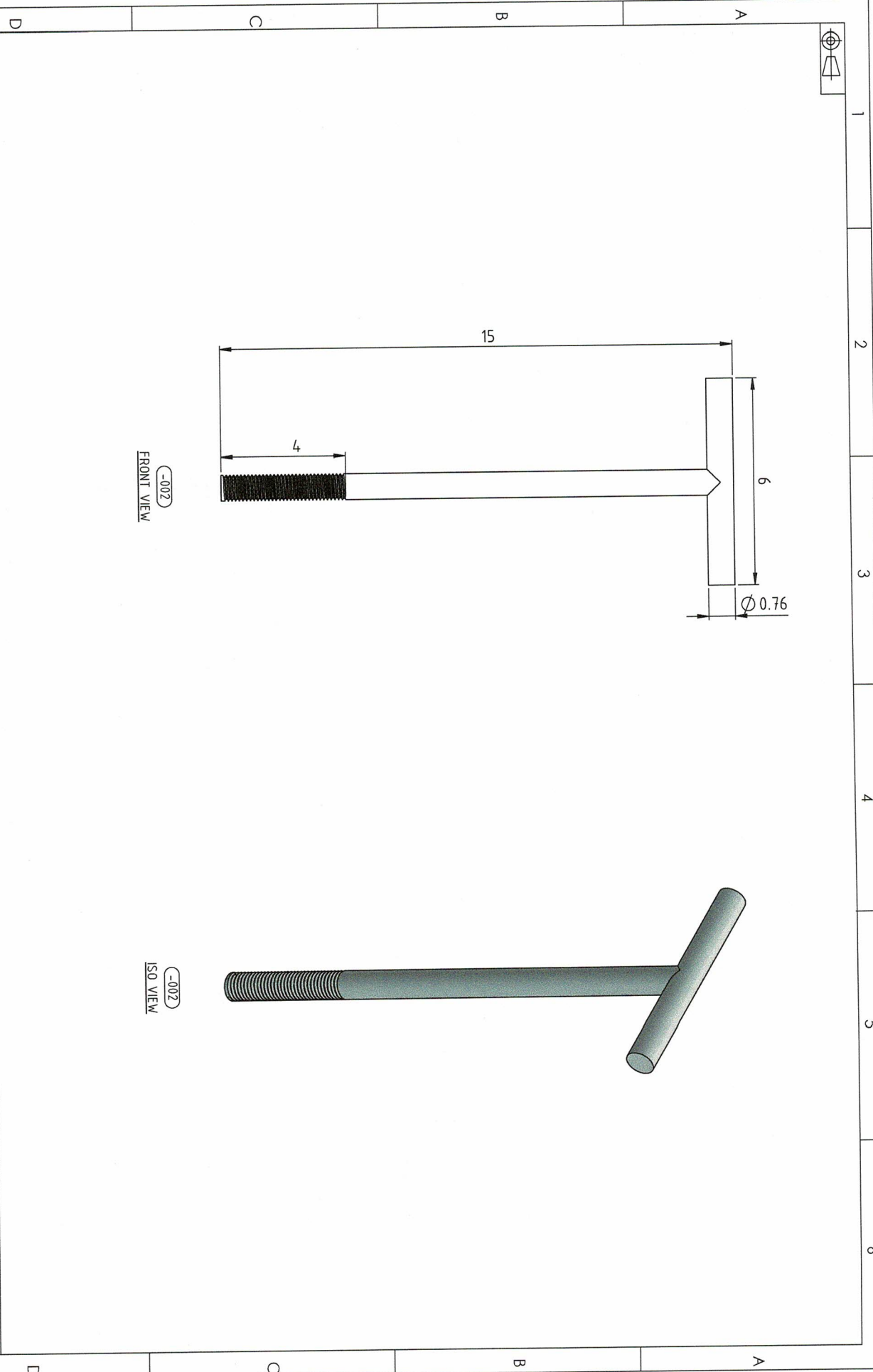
1 2 3 4 5 6



(-002)
FRONT VIEW



(-002)
ISO VIEW



GALAXY AEROSPACE (M)
SDN BHD
ALL RIGHTS RESERVED
GAMF 006 MARCH 2021

THIS DOCUMENT IS THE PROPERTY OF GALAXY AEROSPACE SDN BHD AND IS NOT TO BE
REPRODUCED OR TRANSMITTED IN ANY FORM OR BY ANY MEANS, ELECTRONIC OR
MECHANICAL, INCLUDING PHOTOCOPYING, RECORDING, OR BY ANY INFORMATION
SYSTEMS WITHOUT PERMISSION IN WRITING FROM GALAXY AEROSPACE SDN BHD.
THE TECHNICAL CONTENT OF THIS DOCUMENT IS APPROVED
1. CAPTION REF. NO. 7001/001/001/001
2. DATE 2021/03/01
3. DRAWN BY: GALAXY AEROSPACE SDN BHD

UNLESS OTHERWISE SPECIFIED:-
1. DIMENSIONS IN MM
2. TOLERANCES ON:
XXX ± 0.10
XXX ± 0.05
XXX ± 0.025
3. REMOVE BURRS AND SHARP EDGES

CONTINUATION SHEET

JACK SCREW

DRAWING NO.
ED083001

| | |
|------------|--------------|
| A/C TYPE | N/A |
| REV. 0 | SHEET 2 OF 2 |
| SCALE: NIS | SIZE: A3 |

1 2 3 4 5 6