

AIRCRAFT ACCEPTANCE / HANDOVER INSPECTION FORM

A/C TYPE:	
A/C REG:	
A/C SN:	
CLIENT:	

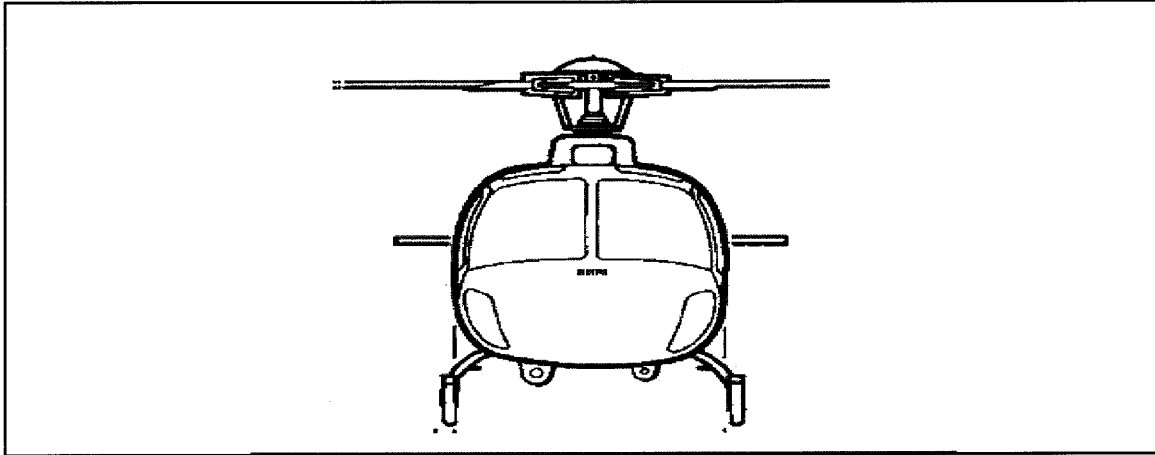


FIGURE 1: NOSE AREA

NO	NOTES/FINDINGS	INSPECTED BY

AIRCRAFT ACCEPTANCE / HANDOVER INSPECTION FORM

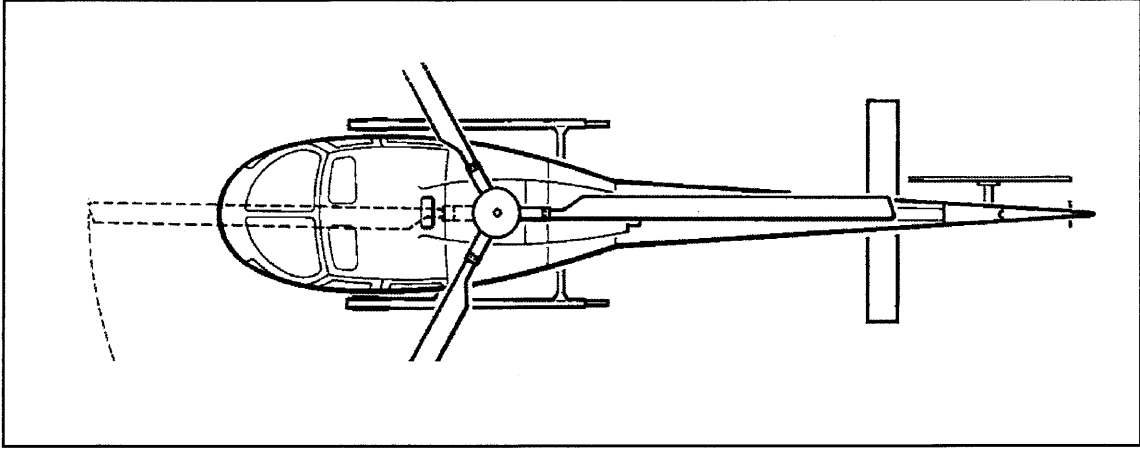


FIGURE 2: TOP AREA

NO	NOTES/FINDINGS	INSPECTED BY

AIRCRAFT ACCEPTANCE / HANDOVER INSPECTION FORM

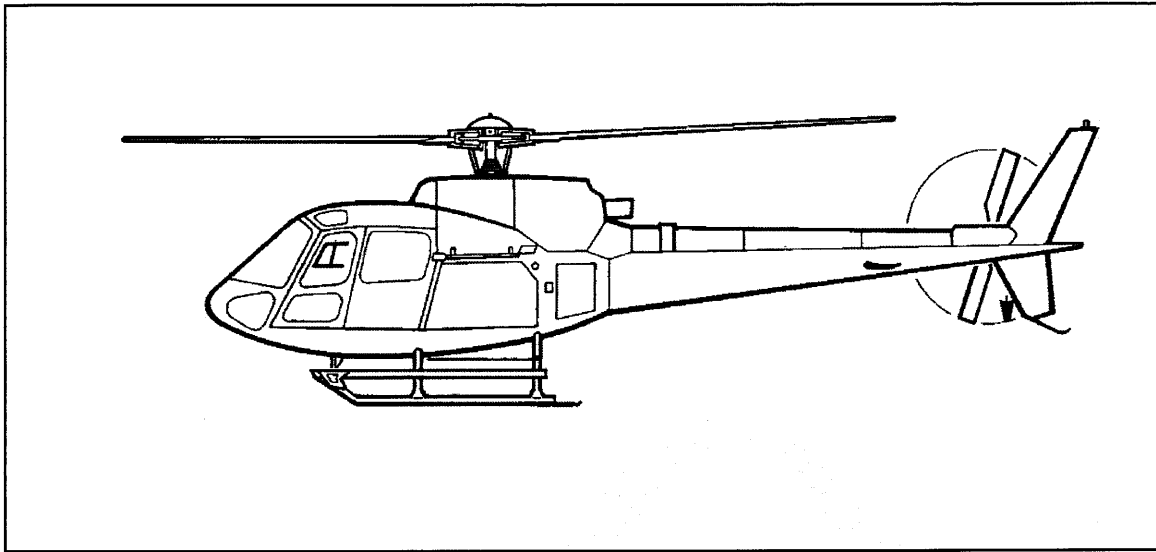


FIGURE 3: LEFT SIDE AREA

NO	NOTES/FINDINGS	INSPECTED BY

AIRCRAFT ACCEPTANCE / HANDOVER INSPECTION FORM

BY: [Signature] / [Name]
 DATE: [Date]

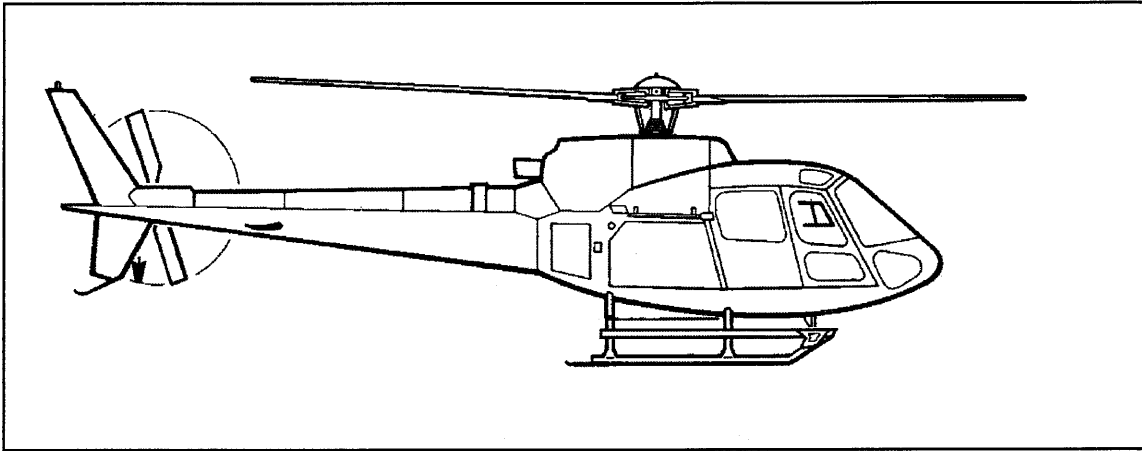


FIGURE 4: RIGHT SIDE AREA

NO	NOTES/FINDINGS	INSPECTED BY

AIRCRAFT ACCEPTANCE / HANDOVER INSPECTION FORM

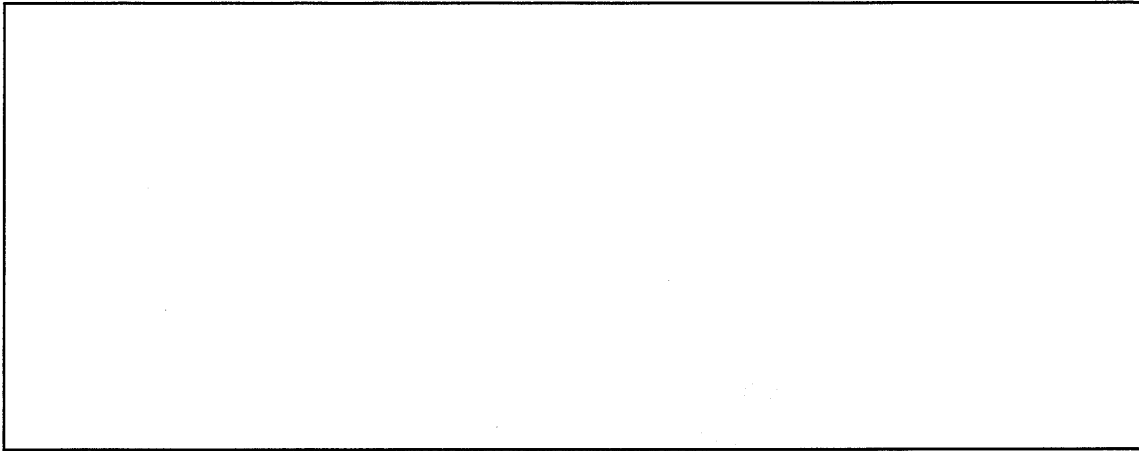


FIGURE 5: BELLY AREA

NO	NOTES/FINDINGS	INSPECTED BY

AIRCRAFT ACCEPTANCE / HANDOVER INSPECTION FORM

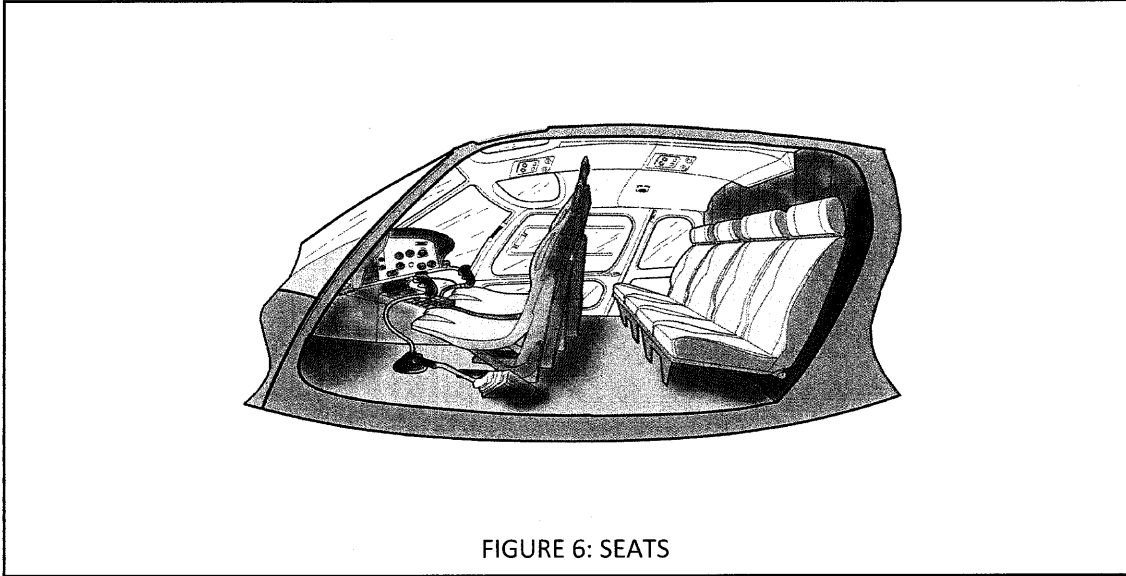


FIGURE 6: SEATS

NO	NOTES/FINDINGS	INSPECTED BY

COCKPIT

AIRCRAFT ACCEPTANCE / HANDOVER INSPECTION FORM

NO	NOTES/FINDINGS	CHECKED BY

CABIN

NO	NOTES/FINDINGS	CHECKED BY

BAGGAGE COMPARTMENT

AIRCRAFT ACCEPTANCE / HANDOVER INSPECTION FORM

NO	NOTES/FINDINGS	CHECKED BY

OTHERS

NO	NOTES/FINDINGS	CHECKED BY

LOOSE ITEM CHECK LIST

AIRCRAFT ACCEPTANCE / HANDOVER INSPECTION FORM

NO	NOTES/FINDINGS	CHECKED BY

SECTION A: ACCEPTANCE FROM CLIENT

I hereby verify that a physical inspection has been carried out with the above notes/findings, prior to aircraft handing-over to Galaxy Aerospace (M) Sdn Bhd :

GAM Representative Signature : _____

NAME : _____

DATE : _____

I hereby acknowledge handing-over of the aircraft to Galaxy Aerospace (M) Sdn. Bhd. with the above-mentioned notes/findings after verification with Galaxy Aerospace representative:

CLIENT Representative Signature: _____

NAME: _____

DATE: _____

SECTION B: HANDOVER TO CLIENT

AIRCRAFT ACCEPTANCE / HANDOVER INSPECTION FORM

I hereby verify that the required inspection/defect and findings rectification/loose items counts have been performed and CLIENT been advice accordingly:

GAM Representative Signature : _____

NAME : _____

DATE : _____

I hereby acknowledge acceptance of the aircraft and subject mentioned above after verification with Galaxy Aerospace (M) representative:

CLIENT Representative Signature: _____

NAME : _____

DATE : _____

AIRCRAFT ACCEPTANCE / HANDOVER INSPECTION FORM

INSTRUCTION FOR COMPLETING AIRCRAFT ACCEPTANCE / HANDOVER INSPECTION FORM

A/C TYPE:	State the aircraft type
A/C REG:	State the aircraft registration
A/C SN:	State the aircraft serial number
CLIENT:	State the aircraft received from which company or customer
NOSE AREA:	PPC insert front view of the aircraft to mark the finding location.
TOP AREA:	PPC Insert top view of the aircraft to mark the finding location.
LEFT SIDE AREA:	PPC Insert left hand side view of the aircraft to mark the finding location.
RIGHT SIDE AREA:	PPC Insert right hand side view of the aircraft to mark the finding location.
BELLY AREA	PPC Insert belly view of the aircraft to mark the finding location.
SEATS	PPC Insert seats view of the aircraft to mark the finding location.
NOTES/FINDING:	LAE remarks any abnormalities found on the parts of the aircraft received together with an actual picture.
CHECKED BY:	Fill in signature and name of GAM representative
GAM Representative Signature :	Fill in signature of GAM representative
NAME:	Fill in name of GAM representative
DATE:	Fill in date of inspection
CLIENT Representative Signature:	Fill in signature of customer representative
NAME:	Fill in name of customer representative

MEETING ATTENDANCE FORM



MEETING	TOOLBOX MEETING
VENUE	MIAT HANGAR
DATE	1/12/2023.
TIME	0900

NO	NAME	COMPANY	DESIGNATION	SIGNATURE
1	M HUZAIRI	GALAXY	LAE	[Signature]
2	KAMAL ASYED	GAM	LAE	[Signature]
3	AMSYAR	GAM	TECH	[Signature]
4	JAUHAR	GAM	LAE	[Signature]
5	Amur	GAM	LAE	[Signature]
6	AIDIN	GAM	TECH	[Signature]
7	FARISHA	GAM	TECH	[Signature]
8	AZRICK	GAM	LAE	[Signature]
9	NITA	GAM	LAE	[Signature]
10	HANIFF	GAM	TECH	[Signature]
11	SHARIL	GAM	SU	[Signature]
12	MUSTAFFA Yusop	GAM	TECH	[Signature]
13	IMAN	GAM	TECH	[Signature]
14	FIRDAUS	GAM	TECH	[Signature]
15	ZAMRI	GAM	REIT	[Signature]
16	AIMAN	GAM	TECH	[Signature]
17	Sahwade	GAM	TECH	[Signature]
18	HAFIY FITRI	GAM	TECH	[Signature]
19	JAY GANESHI	GAM	TECH	[Signature]
20				
21				
22				
23				
24				
25				
26				
27				
28				
29				
30				