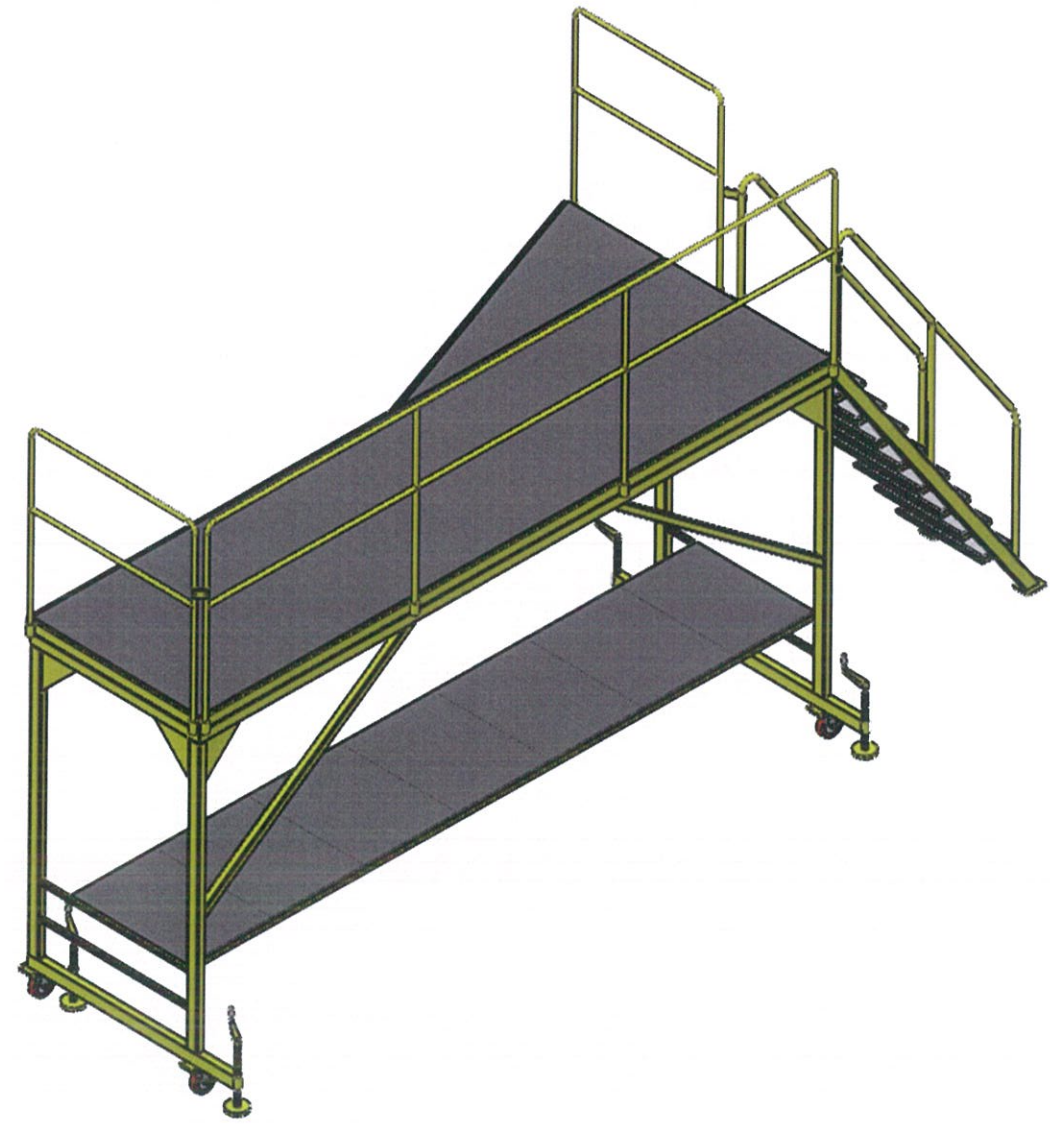


REV	DESCRIPTION	DATE
0	INITIAL REVISION	01/04/2021

NOTES:

1. ALL STRUCTURES ARE CLOSED-ENDS AND EACH JOINT TO BE FUSION ARC BUTT/FILLET WELDED PER EN ISO 4063:2009 OR EQUIVALENT.
2. INSTALL ITEM TO OTHER PARTS WITH BLIND RIVET METHOD AS PER EN ISO 14588:2000 OR EQUIVALENT.
3. REMOVE ALL SHARP EDGES AND BURRS.
4. PERFORM NDT ON ALL WELDED JOINTS. NO CRACKS ARE ALLOWED.
5. EACH CASTOR WHEEL MUST BE ABLE TO WITHSTAND MINIMUM LOAD OF 350 KG.
6. ASSY/SUB-ASSY TO BE PAINTED YELLOW EXCEPT FOR THREADED PARTS AND CASTOR WHEEL
7. COVER ALUMINIUM CHECKERED PLATE EDGES WITH ALUMINIUM ANGLE BAR IF REQUIRED.
8. MATCH DRILL WITH ITEM ED065002-011.
9. MATCH DRILL WITH ITEM ED065002-012.
10. APPLY INDUSTRIAL GREASE TO ALL THREADED PARTS.
11. APPLY INDUSTRIAL ADHESIVE TO ATTACH RUBBER PADDING INTO TOP BASE.



-801
DECK SERVICING PLATFORM (LEFT-HAND SIDE)

QUANTITY	PART NUMBER	ITEM NO	DESCRIPTION
	ED065004-801	4	DECK SERVICING PLATFORM (LEFT-HAND SIDE)
1	ED064003-403	3	STAIRS
1	ED065002-402	2	MAIN STRUCTURE
1	ED065001-401	1	TOP BASE
BILL OF MATERIALS			



GALAXY AEROSPACE (M)
SDN. BHD.
© ALL RIGHTS RESERVED
GAM/DOA.F.005 JULY 2020

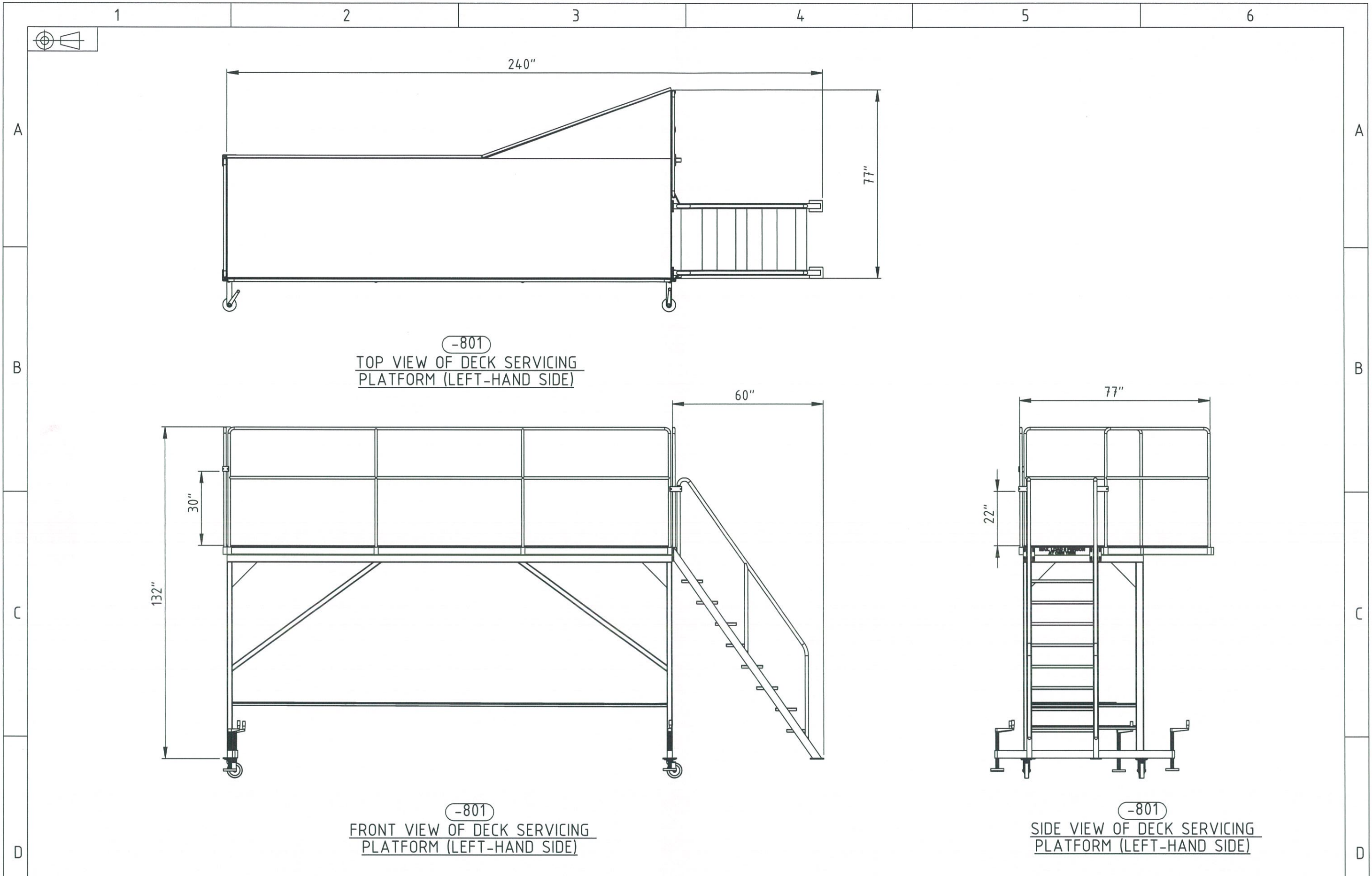
THIS DOCUMENT IS THE PROPERTY OF GALAXY AEROSPACE (M) SDN BHD. AND IS NOT TO BE DISCLOSED, REPRODUCED IN WHOLE OR PART OR USED FOR MANUFACTURED FOR ANYONE OTHER THAN GALAXY AEROSPACE (M) SDN BHD WITHOUT PRIOR WRITTEN CONSENT.
THE TECHNICAL CONTENT OF THIS DOCUMENT IS APPROVED UNDER THE AUTHORITY OF THE DOA REF. NO. (DOA/2020/01).
RELATED DOC : GAM065/MRF

UNLESS OTHERWISE SPECIFIED :-
1. DIMENSIONS IN CM.
2. TOLERANCES ON :
XX ± 1.00
XX.X ± 0.50
XX.XX ± 0.05
ANGLES ± 0.5 DEG
3. REMOVE BURRS AND SHARP EDGES

DRAWN: AHMAD QAYYUM BIN OTHMAN
DRAWN: MUHAMAD HANIF SHAH BIN KHAIRUL ANUAR
DRAWN: MUHAMMAD AMINULKAHAR BIN HEBI SARIUSI
APPROVED: *[Signature]*
DATE: 01/04/2021

TITLE: DECK SERVICING PLATFORM (LEFT-HAND SIDE)
DRAWING NO.: ED065001
A/C TYPE: N/A
REV: 0 SCALE: NTS SHEET 1 OF 3 SIZE: A3

CONTROLLED COPY



GALAXY AEROSPACE (M)
SDN. BHD.
© ALL RIGHTS RESERVED
GAM/DOA.F.005 JULY 2020

THIS DOCUMENT IS THE PROPERTY OF GALAXY AEROSPACE (M) SDN BHD AND IS NOT TO BE DISCLOSED, REPRODUCED IN WHOLE OR PART OR USED FOR MANUFACTURED FOR ANYONE OTHER THAN GALAXY AEROSPACE (M) SDN BHD WITHOUT PRIOR WRITTEN CONSENT.

THE TECHNICAL CONTENT OF THIS DOCUMENT IS APPROVED UNDER THE AUTHORITY OF THE DOA REF. NO. (DOA/2020/01).

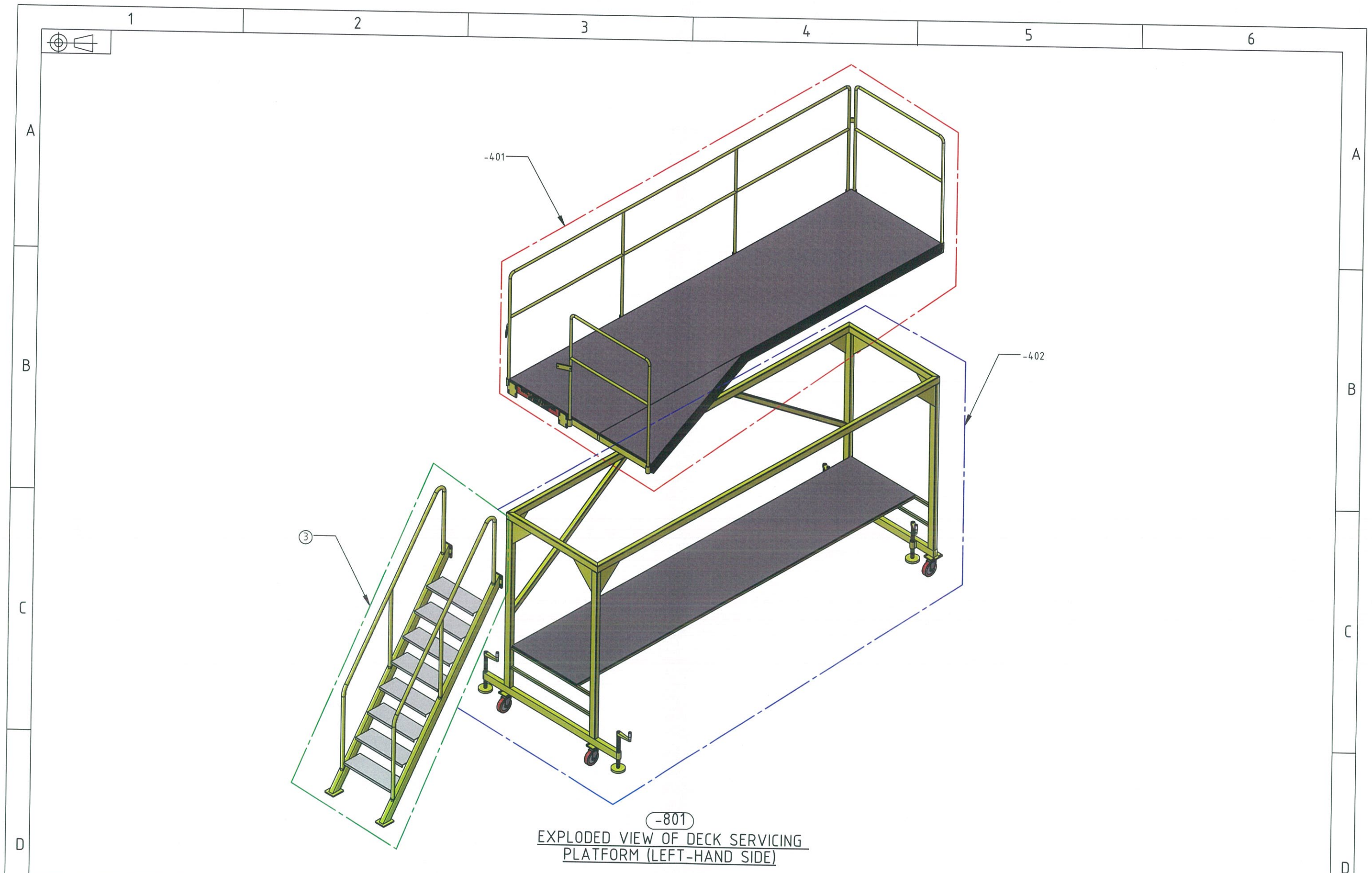
RELATED DOC : GAM065/MRF

UNLESS OTHERWISE SPECIFIED :-
1. DIMENSIONS IN CM.
2. TOLERANCES ON :
XX ± 1.00
XX.X ± 0.50
XX.XX ± 0.05
ANGLES ± 0.5 DEG
3. REMOVE BURRS AND SHARP EDGES

CONTINUATION SHEET

TITLE: DECK SERVICING PLATFORM (LEFT-HAND SIDE)			
DRAWING NO.: ED065001		A/C TYPE: -	
REV: 0	SCALE: NTS	SHEET 2 OF 3	SIZE: A3

CONTROLLED COPY



-801
EXPLODED VIEW OF DECK SERVICING
PLATFORM (LEFT-HAND SIDE)



GALAXY AEROSPACE (M)
SDN. BHD.
© ALL RIGHTS RESERVED
GAM/DOA.F.005 JULY 2020

THIS DOCUMENT IS THE PROPERTY OF GALAXY AEROSPACE (M) SDN BHD AND IS NOT TO BE DISCLOSED, REPRODUCED IN WHOLE OR PART OR USED FOR MANUFACTURED FOR ANYONE OTHER THAN GALAXY AEROSPACE (M) SDN BHD WITHOUT PRIOR WRITTEN CONSENT.
THE TECHNICAL CONTENT OF THIS DOCUMENT IS APPROVED UNDER THE AUTHORITY OF THE DOA REF. NO. (DOA/2020/91).
RELATED DOC : GAM065/MRF

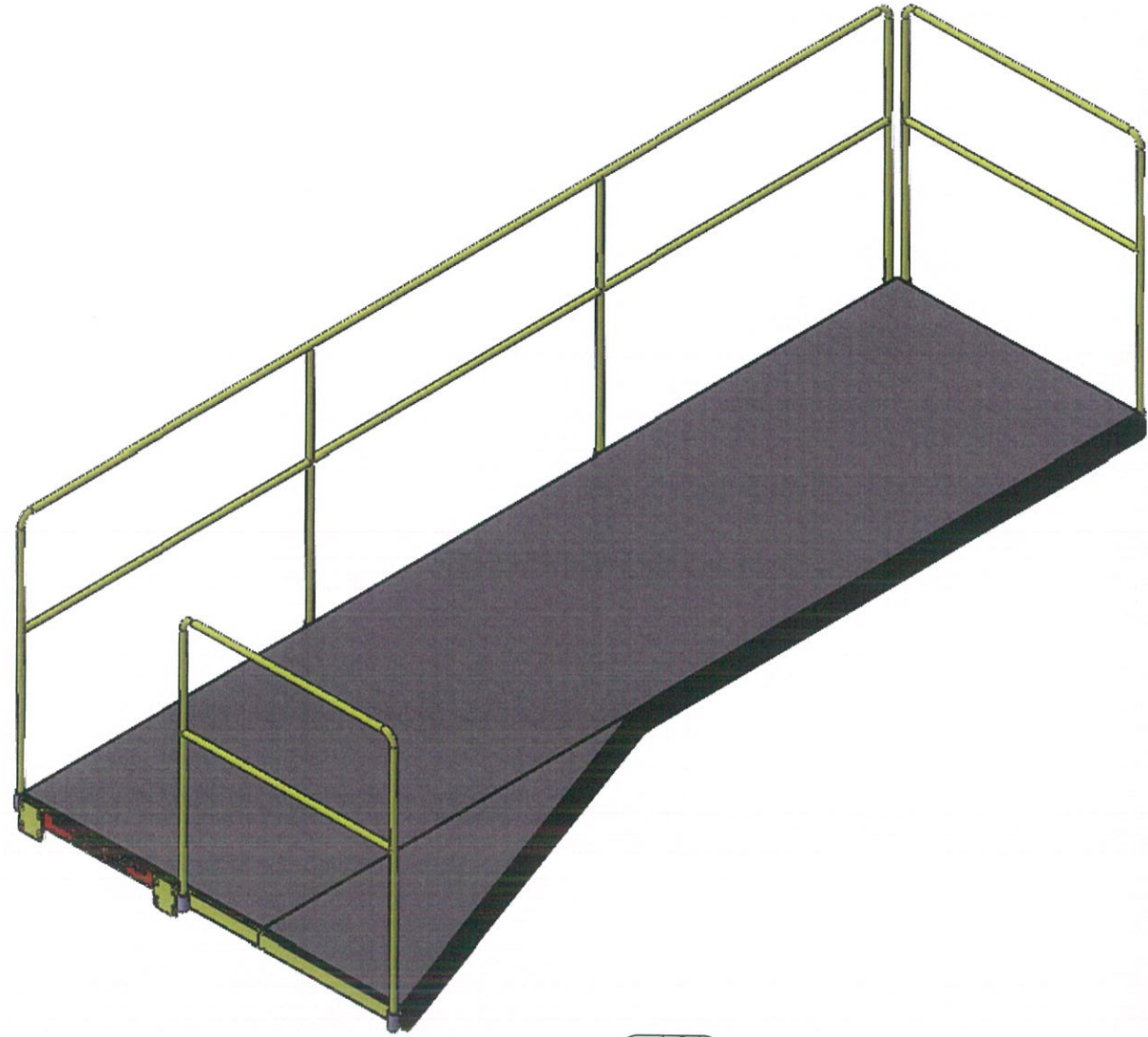
UNLESS OTHERWISE SPECIFIED :-
1. DIMENSIONS IN CM.
2. TOLERANCES ON :
XX ± 1.00
XX.X ± 0.50
XX.XX ± 0.05
ANGLES ± 0.5 DEG
3. REMOVE BURRS AND SHARP EDGES

CONTINUATION SHEET

TITLE: DECK SERVICING PLATFORM (LEFT-HAND SIDE)			
DRAWING NO.:	ED065001	A/C TYPE:	-
REV: 0	SCALE : NTS	SHEET 3 OF 3	SIZE : A3

CONTROLLED COPY

REV	DESCRIPTION	DATE
0	INITIAL REVISION	01/04/2021



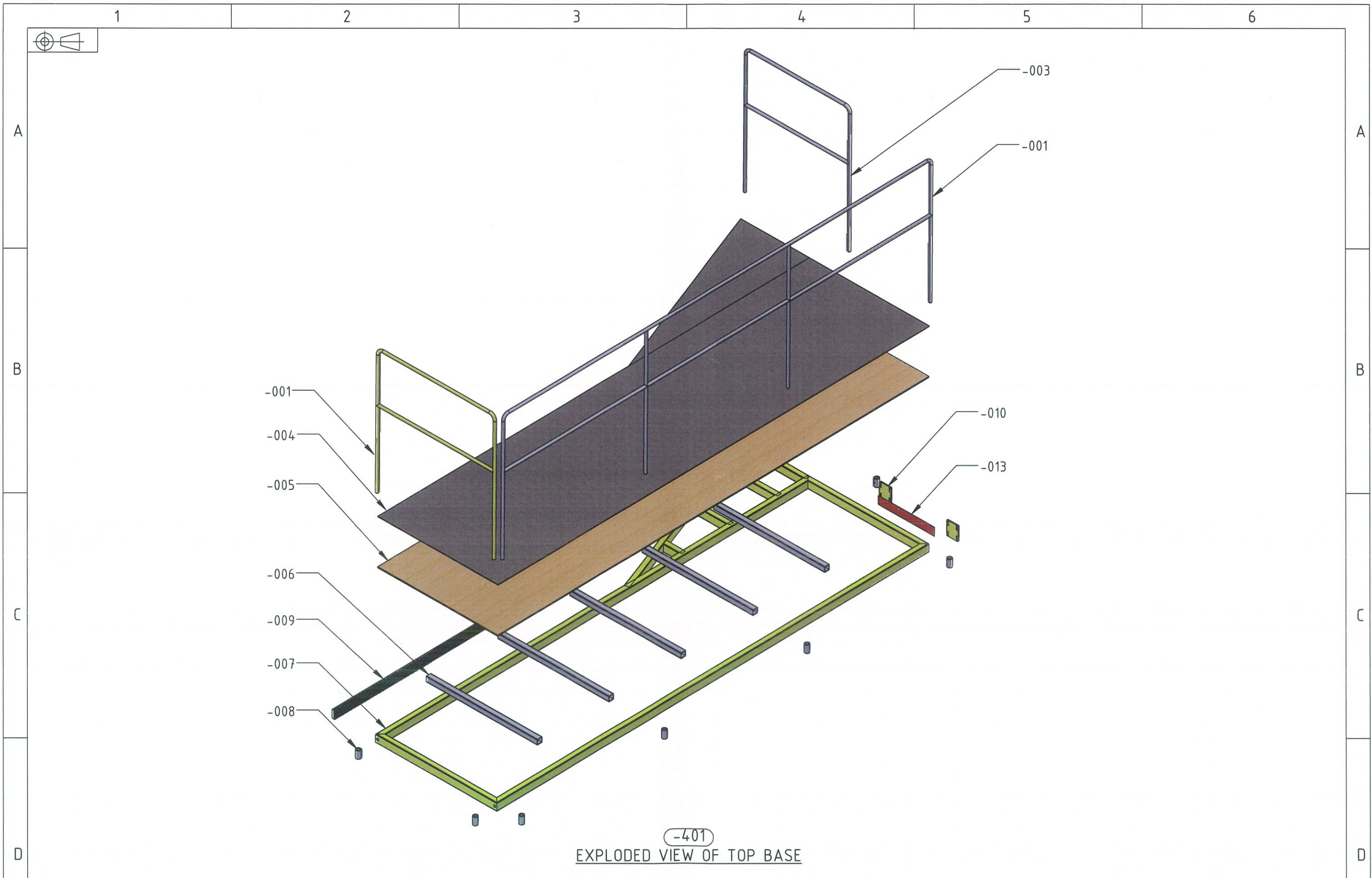
-401
TOP BASE

QTY	PART NUMBER	ITEM NO	DESCRIPTION	MATERIAL	SPECIFICATIONS	FINISH
8	COMMERCIAL	18	NUT	HIGH-STRENGTH STEEL	3/8" IDIA	-
32	COMMERCIAL	17	WASHER	HIGH-STRENGTH STEEL	3/8" IDIA	-
AR	COMMERCIAL	16	BOLT	HIGH-STRENGTH STEEL	3/8"-24 DIA x 2.5" LENGTH	-
AR	COMMERCIAL	15	RIVET	ALUMINIUM	BLIND RIVET	△2
AR	COMMERCIAL	14	ANGLE BAR	ALUMINIUM	0.014" THICKNESS	△2
1	ED065002-013	13	WARNING PLACARD	3M INDUSTRIAL FILM	0.5 MM THICKNESS	-
1	ED065002-012	12	CONNECTOR PLATE STAIR TO RAIL	LOW-CARBON STEEL	7 MM THICKNESS	△6
2	ED065002-011	11	CONNECTOR PLATE RAIL TO RAIL	LOW-CARBON STEEL	7 MM THICKNESS	△6
2	ED065002-010	10	RECTANGULAR PLATE	LOW-CARBON STEEL	1 CM THICKNESS	△6
AR	ED065002-009	9	PADDING	RUBBER (HARD)	1" THICKNESS	-
8	ED065002-008	8	RAIL HOLDER	LOW-CARBON STEEL	4 CM IDIA	△6
AR	ED065002-007	7	RECTANGULAR TUBE	LOW-CARBON STEEL	3" x 2" x 0.12" THICKNESS	△6
AR	ED065002-006	6	SQUARE TUBE	LOW-CARBON STEEL	2" x 2" x 0.12" THICKNESS	△6
1	ED065002-005	5	PLATFORM PLATE	PLYWOOD	15 MM THICKNESS	-
1	ED065002-004	4	CHECKERED PLATE	ALUMINIUM	3.5 MM THICKNESS	△7
AR	ED065002-003	3	ROUND RAIL TUBE 3	LOW-CARBON STEEL	1 3/8" ODIA x 7/8" IDIA	△6
AR	ED065002-002	2	ROUND RAIL TUBE 2	LOW-CARBON STEEL	1 3/8" ODIA x 7/8" IDIA	△6
AR	ED065002-001	1	ROUND RAIL TUBE 1	LOW-CARBON STEEL	1 3/8" ODIA x 7/8" IDIA	△6

107- BILL OF MATERIALS

<p>GALAXY AEROSPACE (M) SDN. BHD. © ALL RIGHTS RESERVED GAM/DOA.F.005 JULY 2020</p>	<p>THIS DOCUMENT IS THE PROPERTY OF GALAXY AEROSPACE (M) SDN BHD AND IS NOT TO BE DISCLOSED, REPRODUCED IN WHOLE OR PART OR USED FOR MANUFACTURED FOR ANYONE OTHER THAN GALAXY AEROSPACE (M) SDN BHD WITHOUT PRIOR WRITTEN CONSENT.</p> <p>THE TECHNICAL CONTENT OF THIS DOCUMENT IS APPROVED UNDER THE AUTHORITY OF THE DOA REF. NO. (DOA/2020/01).</p> <p>RELATED DOC : GAM065/MRF</p>	<p>UNLESS OTHERWISE SPECIFIED :-</p> <p>1. DIMENSIONS IN CM. 2. TOLERANCES ON : XX ± 1.00 XX.X ± 0.50 XX.XX ± 0.05 ANGLES ± 0.5 DEG 3. REMOVE BURRS AND SHARP EDGES</p>	<p>DRAWN: AHMAD QAYYOM BIN OTHMAN</p>	<p>DATE: 01/04/2021</p>	<p>TITLE: DECK SERVICING PLATFORM (LEFT-HAND SIDE)</p> <p>DRAWING NO: ED065002</p> <p>A/C TYPE: N/A</p>
			<p>DRAWN: MUHAMAD HANIF SHAH BIN KHAIRUL ANUAR</p>	<p>DRAWN: MUHAMMAD AMINULLAH BIN MOHD SAMUD</p>	

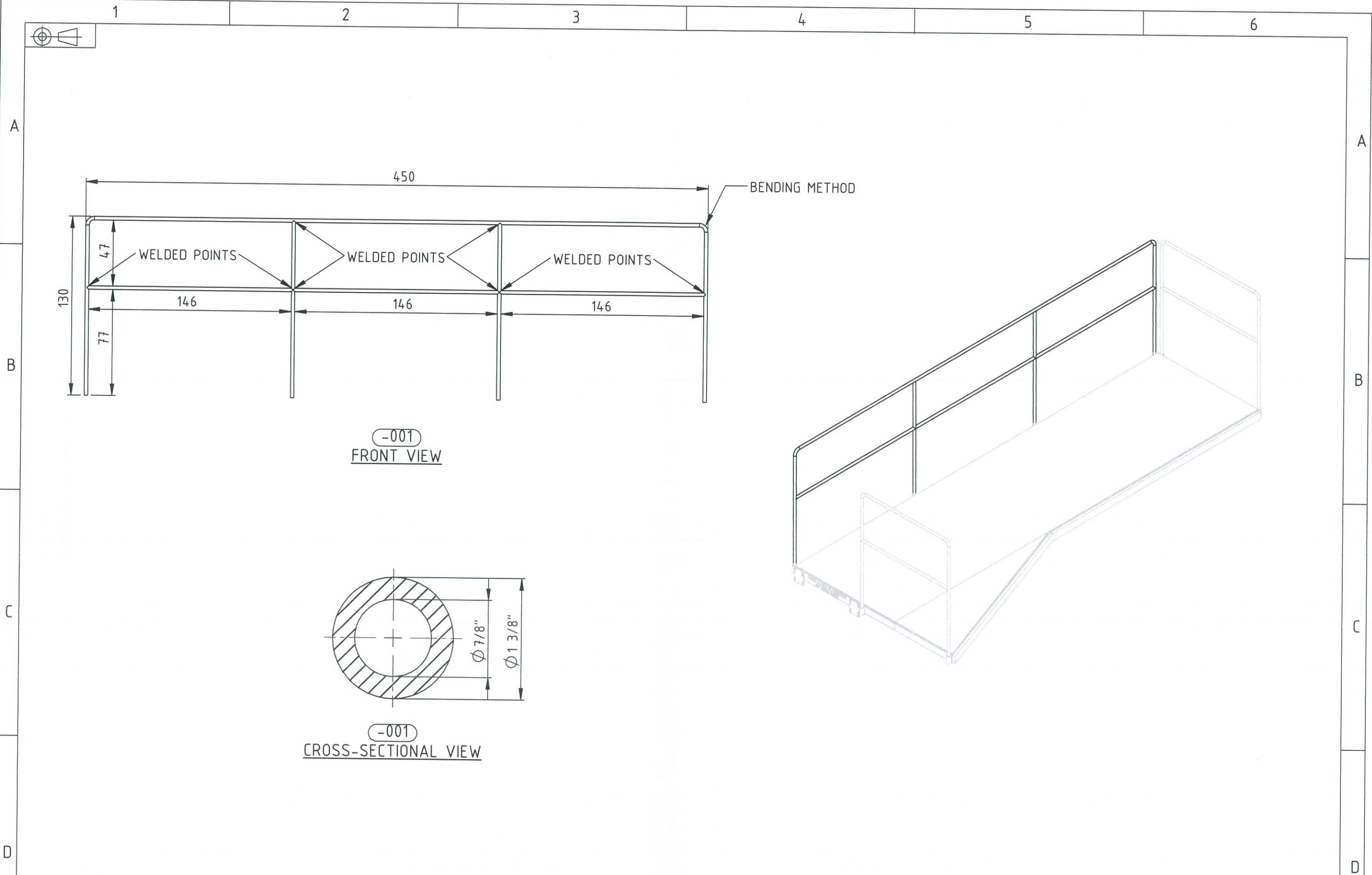
CONTROLLED COPY



-401
EXPLODED VIEW OF TOP BASE

	GALAXY AEROSPACE (M) SDN. BHD. © ALL RIGHTS RESERVED	THIS DOCUMENT IS THE PROPERTY OF GALAXY AEROSPACE (M) SDN BHD AND IS NOT TO BE DISCLOSED, REPRODUCED IN WHOLE OR PART OR USED FOR MANUFACTURED FOR ANYONE OTHER THAN GALAXY AEROSPACE (M) SDN BHD WITHOUT PRIOR WRITTEN CONSENT.	UNLESS OTHERWISE SPECIFIED :- 1. DIMENSIONS IN CM. 2. TOLERANCES ON : XX ± 1.00 XX.X ± 0.50 XX.XX ± 0.05 ANGLES ± 0.5 DEG 3. REMOVE BURRS AND SHARP EDGES	CONTINUATION SHEET	TITLE: DECK SERVICING PLATFORM (LEFT-HAND SIDE)
	GAM/DOA.F.005 JULY 2020	RELATED DOC : GAM065/MRF	THE TECHNICAL CONTENT OF THIS DOCUMENT IS APPROVED UNDER THE AUTHORITY OF THE DDA REF. NO. IDOA/2020/01.	DRAWING NO.: ED065002	A/C TYPE: - REV: 0 SCALE: NTS SHEET 2 OF 13 SIZE: A3

CONTROLLED COPY



-001
FRONT VIEW

-001
CROSS-SECTIONAL VIEW



GALAXY AEROSPACE (M)
SDN. BHD.
© ALL RIGHTS RESERVED

GAM/DOA.F.005 JULY 2020

THIS DOCUMENT IS THE PROPERTY OF GALAXY AEROSPACE (M) SDN BHD AND IS NOT TO BE DISCLOSED, REPRODUCED IN WHOLE OR PART OR USED FOR MANUFACTURE FOR ANYONE OTHER THAN GALAXY AEROSPACE (M) SDN BHD WITHOUT PRIOR WRITTEN CONSENT.

THE TECHNICAL CONTENT OF THIS DOCUMENT IS APPROVED UNDER THE AUTHORITY OF THE DOA REF. NO. (DOA/2020/01).

RELATED DOC : GAM064/MRF

UNLESS OTHERWISE SPECIFIED :-

1. DIMENSIONS IN CM
2. TOLERANCES ON :
 XX ± 1.00
 XX.X ± 0.50
 XX.XX ± 0.05
 ANGLES ± 0.5 DEG
3. REMOVE BURRS AND SHARP EDGES

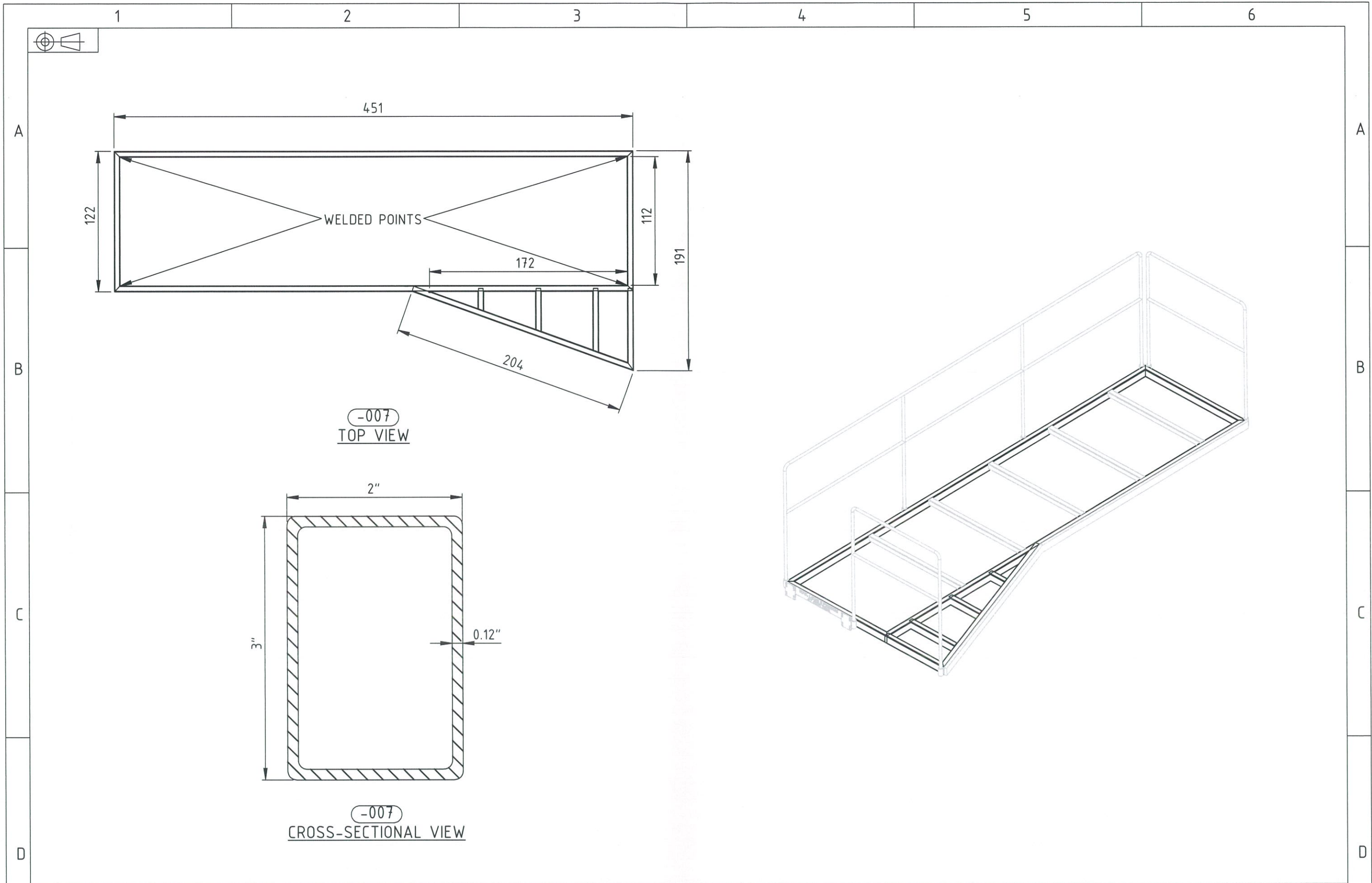
CONTINUATION SHEET

TITLE
DECK SERVICING PLATFORM (LEFT-HAND SIDE)

DRAWING NO.: ED065002

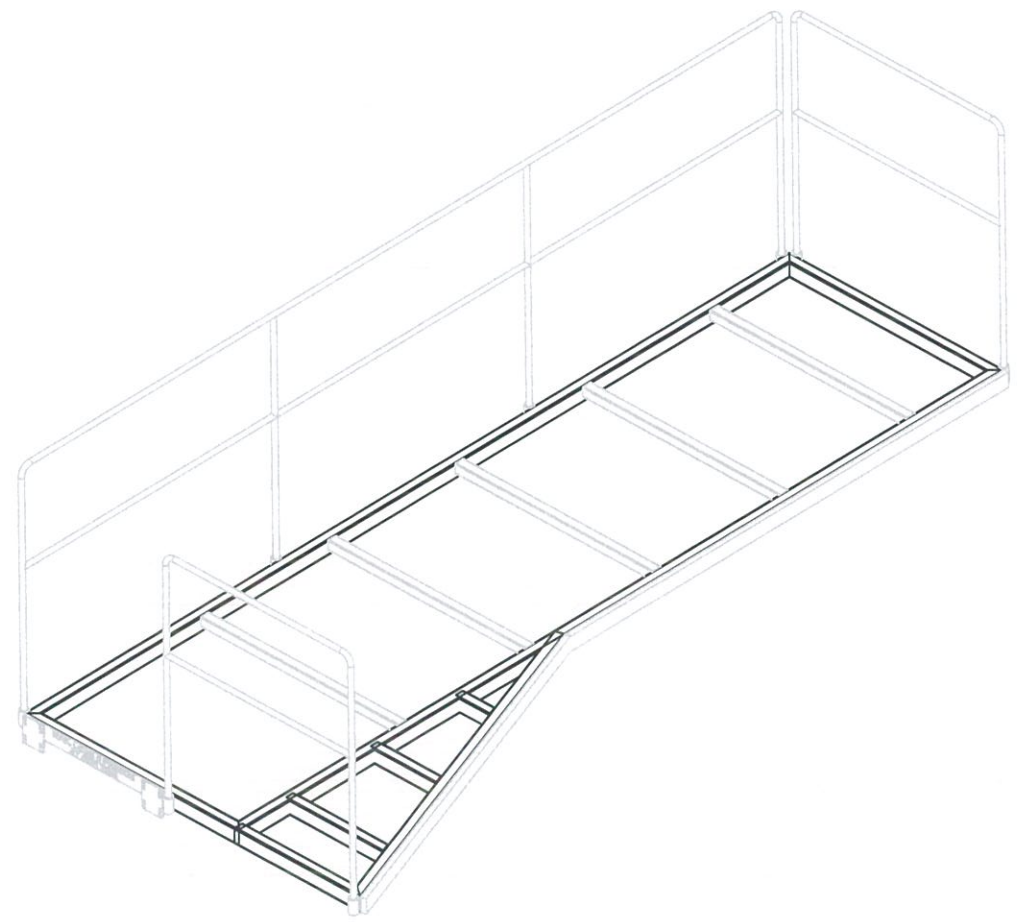
A/C TYPE: -
 REV: 0 SCALE: NTS SHEET 3 OF 13 SIZE: A3

6 CONTROLLED COPY



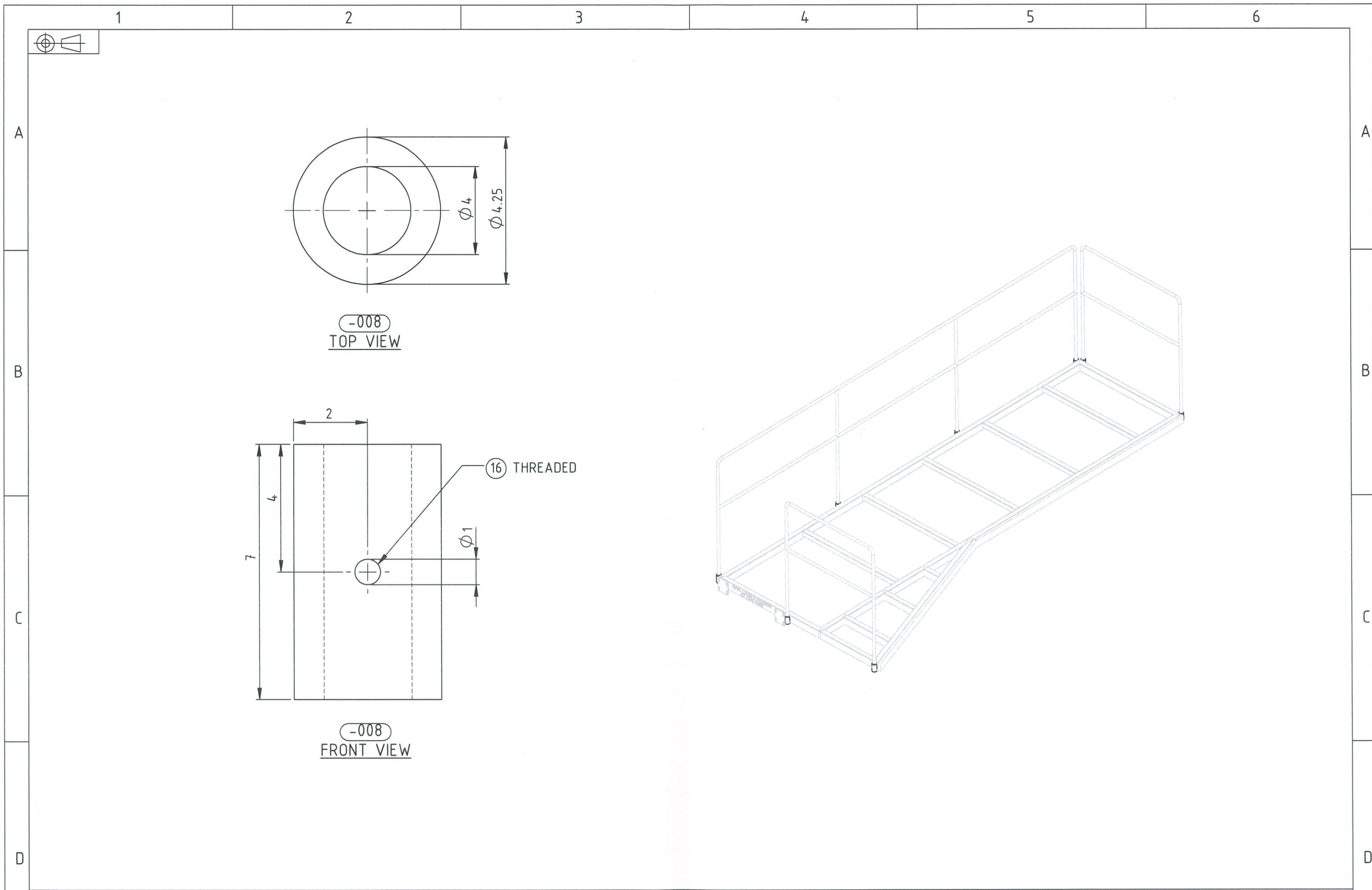
-007
TOP VIEW

-007
CROSS-SECTIONAL VIEW

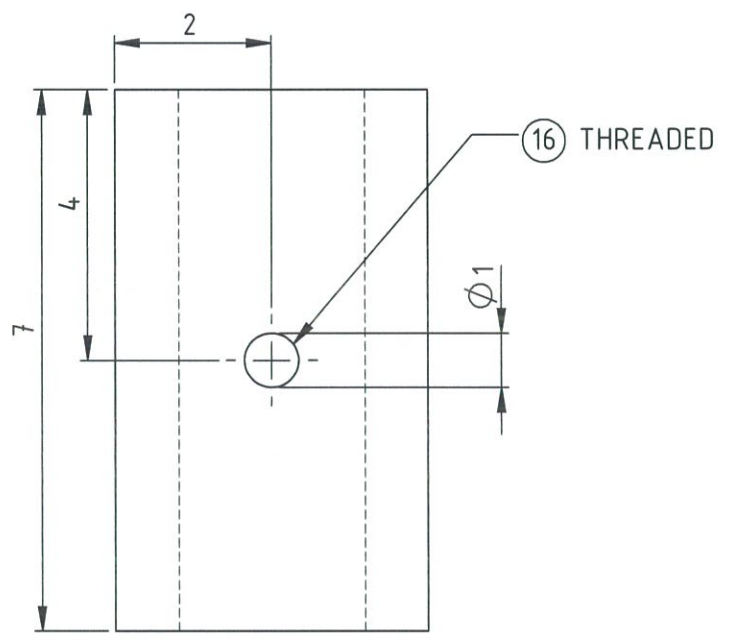


	GALAXY AEROSPACE (M) SDN. BHD. © ALL RIGHTS RESERVED	THIS DOCUMENT IS THE PROPERTY OF GALAXY AEROSPACE (M) SDN BHD AND IS NOT TO BE DISCLOSED, REPRODUCED IN WHOLE OR PART OR USED FOR MANUFACTURED FOR ANYONE OTHER THAN GALAXY AEROSPACE (M) SDN BHD WITHOUT PRIOR WRITTEN CONSENT. THE TECHNICAL CONTENT OF THIS DOCUMENT IS APPROVED UNDER THE AUTHORITY OF THE DOA REF. NO. (DOA/2020/01).	UNLESS OTHERWISE SPECIFIED :- 1. DIMENSIONS IN CM 2. TOLERANCES ON : XX ± 1.00 XX.X ± 0.50 XX.XX ± 0.05 ANGLES ± 0.5 DEG 3. REMOVE BURRS AND SHARP EDGES	TITLE: DECK SERVICING PLATFORM (LEFT-HAND SIDE)
	GAM/DOA.F.005 JULY 2020	RELATED DOC : GAM065/MRF	CONTINUATION SHEET	DRAWING NO.: ED065002 A/C TYPE: - REV: 0 SCALE: NTS SHEET 7 OF 13 SIZE: A3

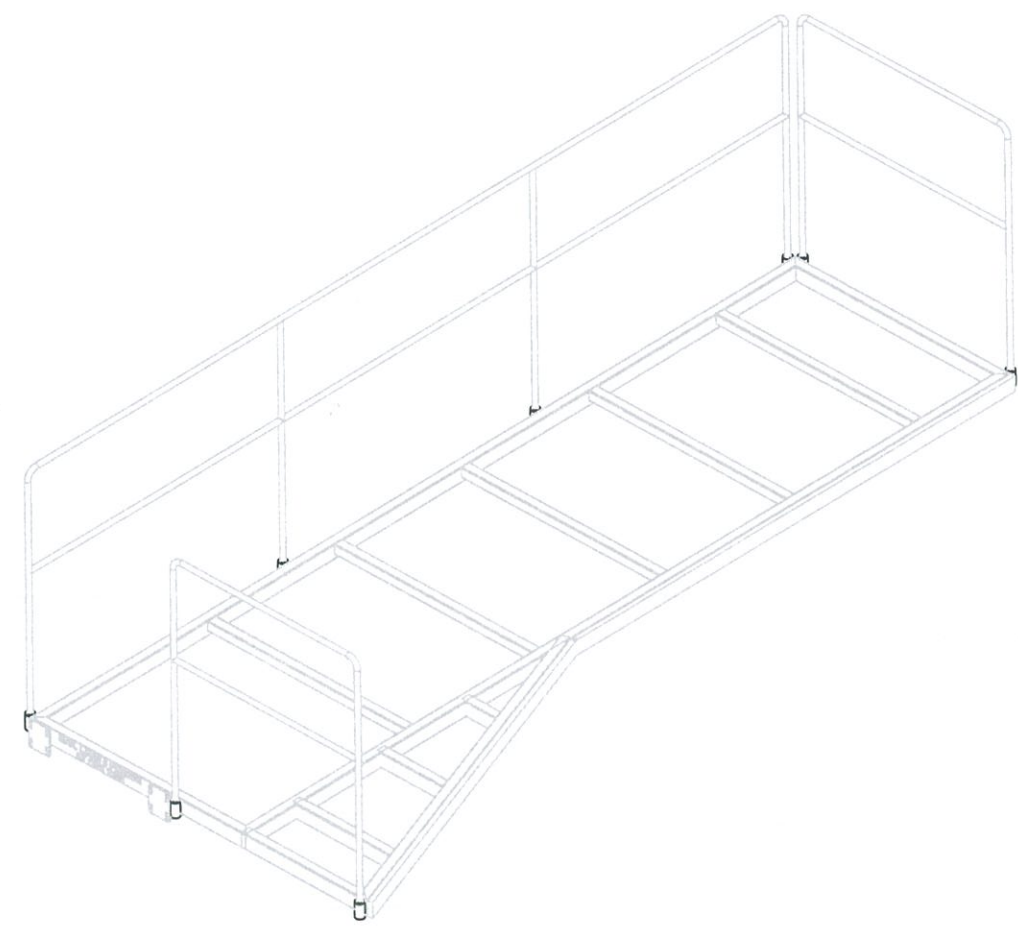
CONTROLLED COPY



-008
TOP VIEW



-008
FRONT VIEW



GALAXY AEROSPACE (M)
SDN. BHD.
© ALL RIGHTS RESERVED
GAM/DOA.F.005 JULY 2020

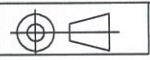
THIS DOCUMENT IS THE PROPERTY OF GALAXY AEROSPACE (M) SDN BHD AND IS NOT TO BE DISCLOSED, REPRODUCED IN WHOLE OR PART OR USED FOR MANUFACTURED FOR ANYONE OTHER THAN GALAXY AEROSPACE (M) SDN BHD WITHOUT PRIOR WRITTEN CONSENT.
THE TECHNICAL CONTENT OF THIS DOCUMENT IS APPROVED UNDER THE AUTHORITY OF THE DOA REF. NO. (DOA/2020/01)
RELATED DOC : GAM065/MRF

UNLESS OTHERWISE SPECIFIED :-
1. DIMENSIONS IN CM.
2. TOLERANCES ON :
XX ± 1.00
XX.X ± 0.50
XX.XX ± 0.05
ANGLES ± 0.5 DEG
3. REMOVE BURRS AND SHARP EDGES

CONTINUATION SHEET

TITLE: DECK SERVICING PLATFORM (LEFT-HAND SIDE)			
DRAWING NO.: ED065002		A/C TYPE: -	
REV. 0	SCALE : NTS	SHEET 8 OF 13	SIZE : A3

CONTROLLED COPY



1

2

3

4

5

6

A

A

261

69

-009
TOP VIEW

B

B

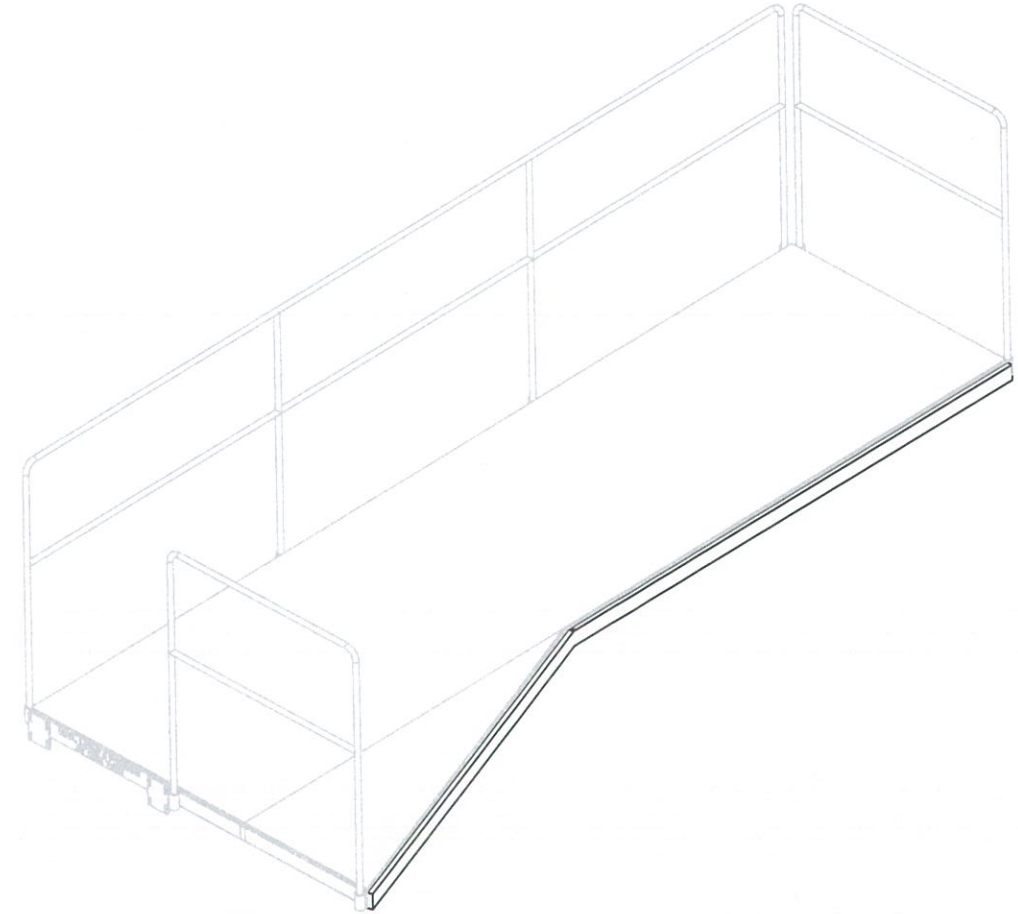
450

3"

-009
FRONT VIEW

C

C



D

D



GALAXY AEROSPACE (M)
SDN. BHD.
© ALL RIGHTS RESERVED

GAM/DOA.F.005 JULY 2020

THIS DOCUMENT IS THE PROPERTY OF GALAXY AEROSPACE (M) SDN BHD AND IS NOT TO BE DISCLOSED, REPRODUCED IN WHOLE OR PART OR USED FOR MANUFACTURED FOR ANYONE OTHER THAN GALAXY AEROSPACE (M) SDN BHD WITHOUT PRIOR WRITTEN CONSENT.

THE TECHNICAL CONTENT OF THIS DOCUMENT IS APPROVED UNDER THE AUTHORITY OF THE DOA REF. NO. (DOA/2020/01).

RELATED DOC : GAM065/MRF

UNLESS OTHERWISE SPECIFIED :-

- 1. DIMENSIONS IN CM.
- 2. TOLERANCES ON :
 - XX ± 1.00
 - XX.X ± 0.50
 - XX.XX ± 0.05
 - ANGLES ± 0.5 DEG
- 3. REMOVE BURRS AND SHARP EDGES

CONTINUATION SHEET

TITLE: DECK SERVICING PLATFORM (LEFT-HAND SIDE)

DRAWING NO.: ED065002

A/C TYPE:	-
REV: X	SCALE : NTS
SHEET 9 OF 13	SIZE : A3

1

2

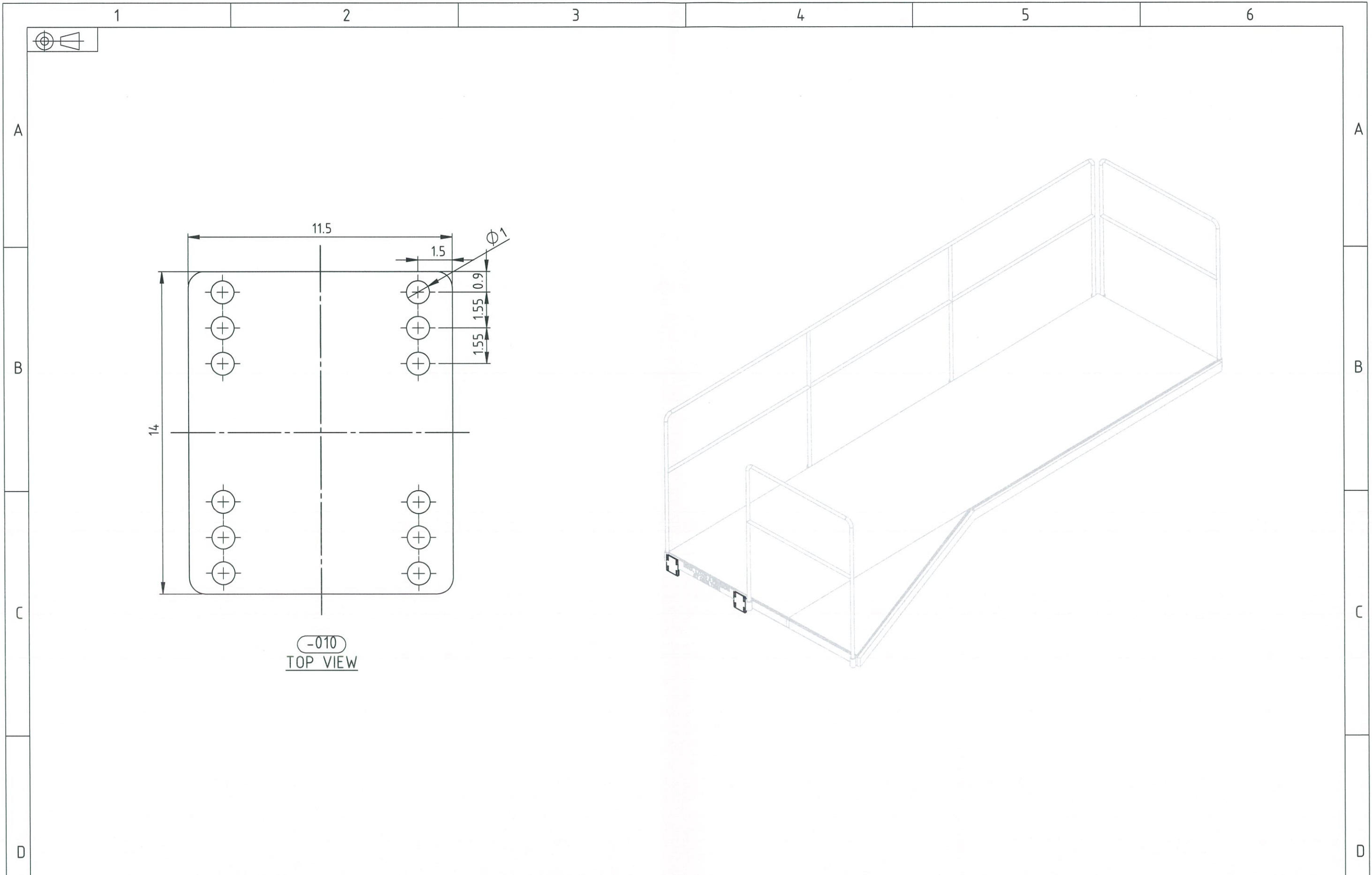
3

4

5

6

CONTROLLED COPY



-010
TOP VIEW



GALAXY AEROSPACE (M)
SDN. BHD.
© ALL RIGHTS RESERVED

GAM/DOA.F.005 JULY 2020

THIS DOCUMENT IS THE PROPERTY OF GALAXY AEROSPACE (M) SDN BHD AND IS NOT TO BE DISCLOSED, REPRODUCED IN WHOLE OR PART OR USED FOR MANUFACTURED FOR ANYONE OTHER THAN GALAXY AEROSPACE (M) SDN BHD WITHOUT PRIOR WRITTEN CONSENT.

THE TECHNICAL CONTENT OF THIS DOCUMENT IS APPROVED UNDER THE AUTHORITY OF THE DOA REF. NO. (DOA/2020/9/01).

RELATED DOC : GAM065/MRF

UNLESS OTHERWISE SPECIFIED :-
1. DIMENSIONS IN CM.
2. TOLERANCES ON :
XX ± 1.00
XX.X ± 0.50
XX.XX ± 0.05
ANGLES ± 0.5 DEG
3. REMOVE BURRS AND SHARP EDGES

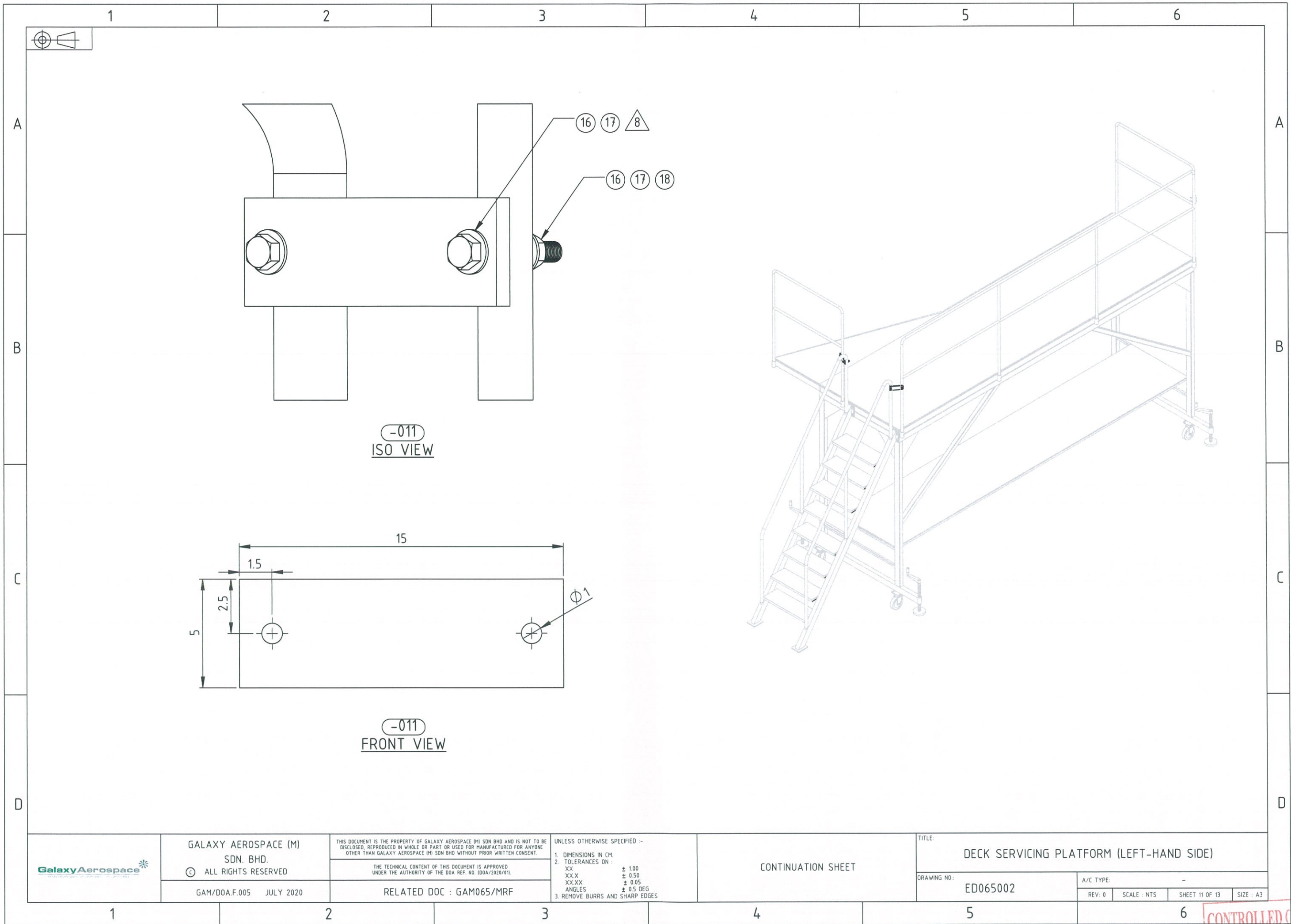
CONTINUATION SHEET

TITLE: DECK SERVICING PLATFORM (LEFT-HAND SIDE)

DRAWING NO.: ED065002

A/C TYPE: -
REV: 0 SCALE: NTS SHEET 10 OF 13 SIZE: A3

CONTROLLED COPY



GALAXY AEROSPACE (M)
SDN. BHD.
© ALL RIGHTS RESERVED
GAM/DOA.F.005 JULY 2020

THIS DOCUMENT IS THE PROPERTY OF GALAXY AEROSPACE (M) SDN BHD AND IS NOT TO BE DISCLOSED, REPRODUCED IN WHOLE OR PART OR USED FOR MANUFACTURED FOR ANYONE OTHER THAN GALAXY AEROSPACE (M) SDN BHD WITHOUT PRIOR WRITTEN CONSENT.

THE TECHNICAL CONTENT OF THIS DOCUMENT IS APPROVED UNDER THE AUTHORITY OF THE DOA REF. NO. IDOA/2020/01.

RELATED DOC : GAM065/MRF

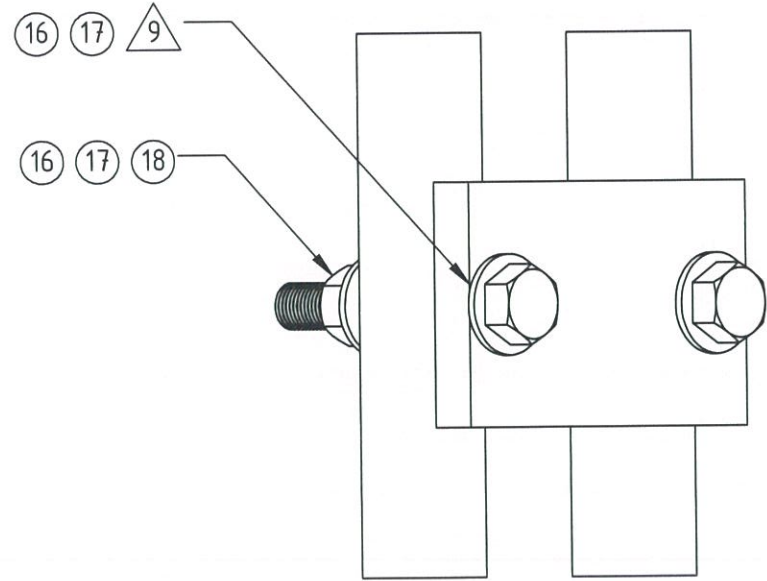
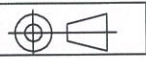
UNLESS OTHERWISE SPECIFIED :-

- DIMENSIONS IN CM.
- TOLERANCES ON :
XX ± 1.00
XX.X ± 0.50
XX.XX ± 0.05
- ANGLES ± 0.5 DEG
- REMOVE BURRS AND SHARP EDGES

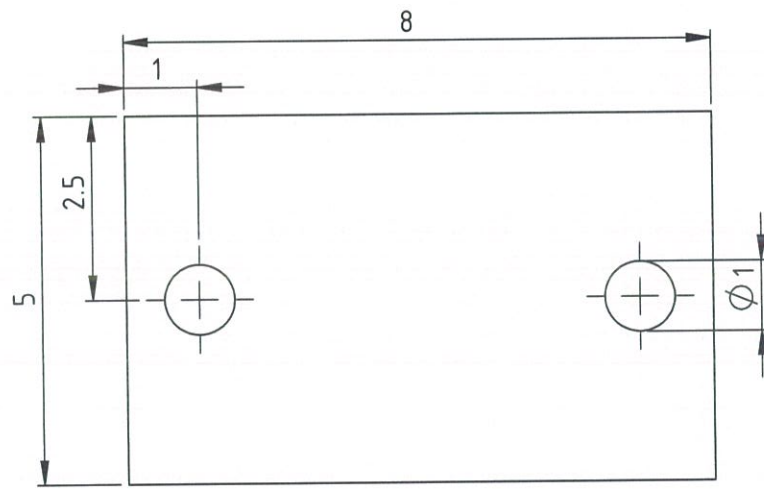
CONTINUATION SHEET

TITLE: DECK SERVICING PLATFORM (LEFT-HAND SIDE)			
DRAWING NO.:	ED065002	A/C TYPE:	-
REV: 0	SCALE : NTS	SHEET 11 OF 13	SIZE : A3

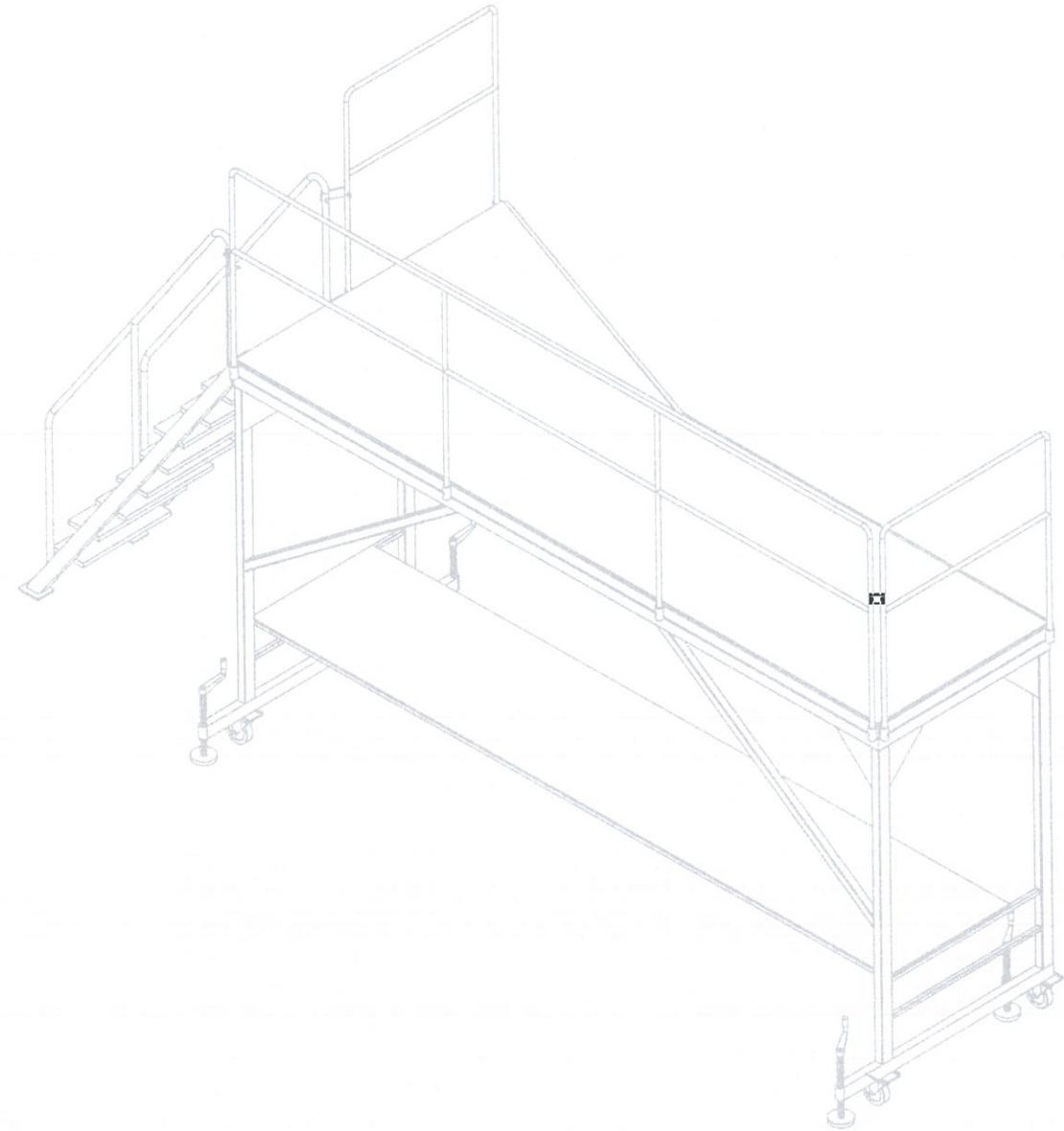
CONTROLLED COPY



-012
ISO VIEW



-012
FRONT VIEW



GALAXY AEROSPACE (M)
SDN. BHD.
© ALL RIGHTS RESERVED

GAM/DOA.F.005 JULY 2020

THIS DOCUMENT IS THE PROPERTY OF GALAXY AEROSPACE (M) SDN BHD AND IS NOT TO BE DISCLOSED, REPRODUCED IN WHOLE OR PART OR USED FOR MANUFACTURE FOR ANYONE OTHER THAN GALAXY AEROSPACE (M) SDN BHD WITHOUT PRIOR WRITTEN CONSENT.

THE TECHNICAL CONTENT OF THIS DOCUMENT IS APPROVED UNDER THE AUTHORITY OF THE DOA REF. NO. (DOA/2020/01).

RELATED DOC : GAM065/MRF

UNLESS OTHERWISE SPECIFIED :-

1. DIMENSIONS IN CM.
2. TOLERANCES ON :
 - XX ± 1.00
 - XX.X ± 0.50
 - XX.XX ± 0.05
 - ANGLES ± 0.5 DEG
3. REMOVE BURRS AND SHARP EDGES

CONTINUATION SHEET

TITLE:

DECK SERVICING PLATFORM (LEFT-HAND SIDE)

DRAWING NO.:

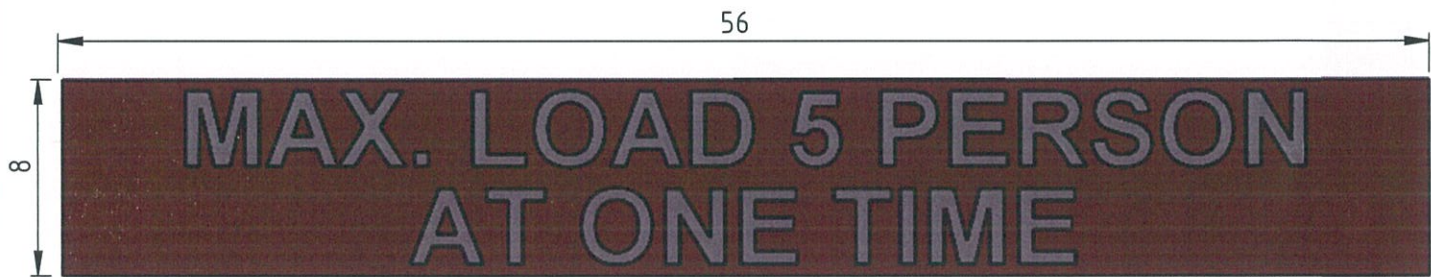
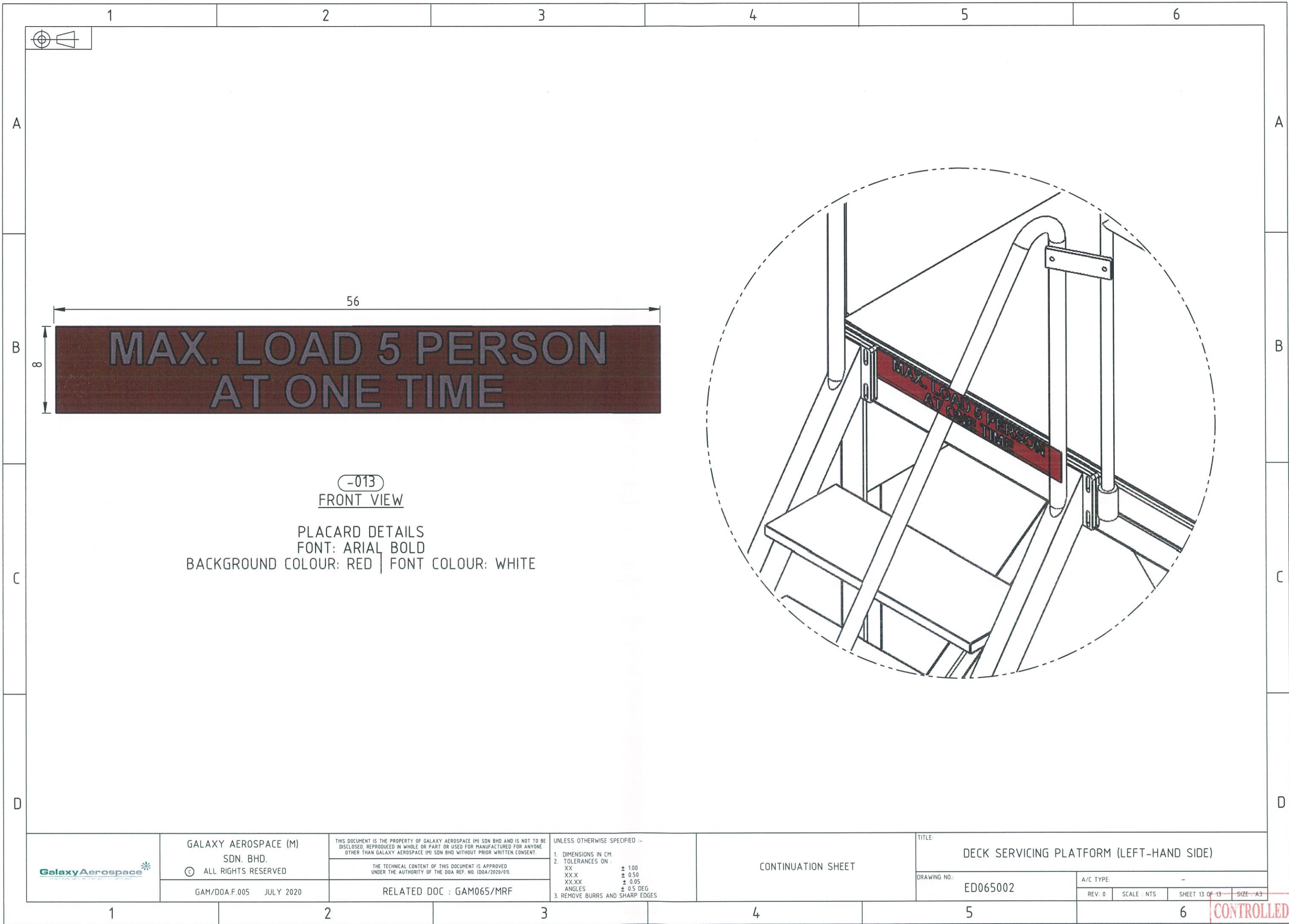
ED065002

A/C TYPE:

SHEET 12 OF 13

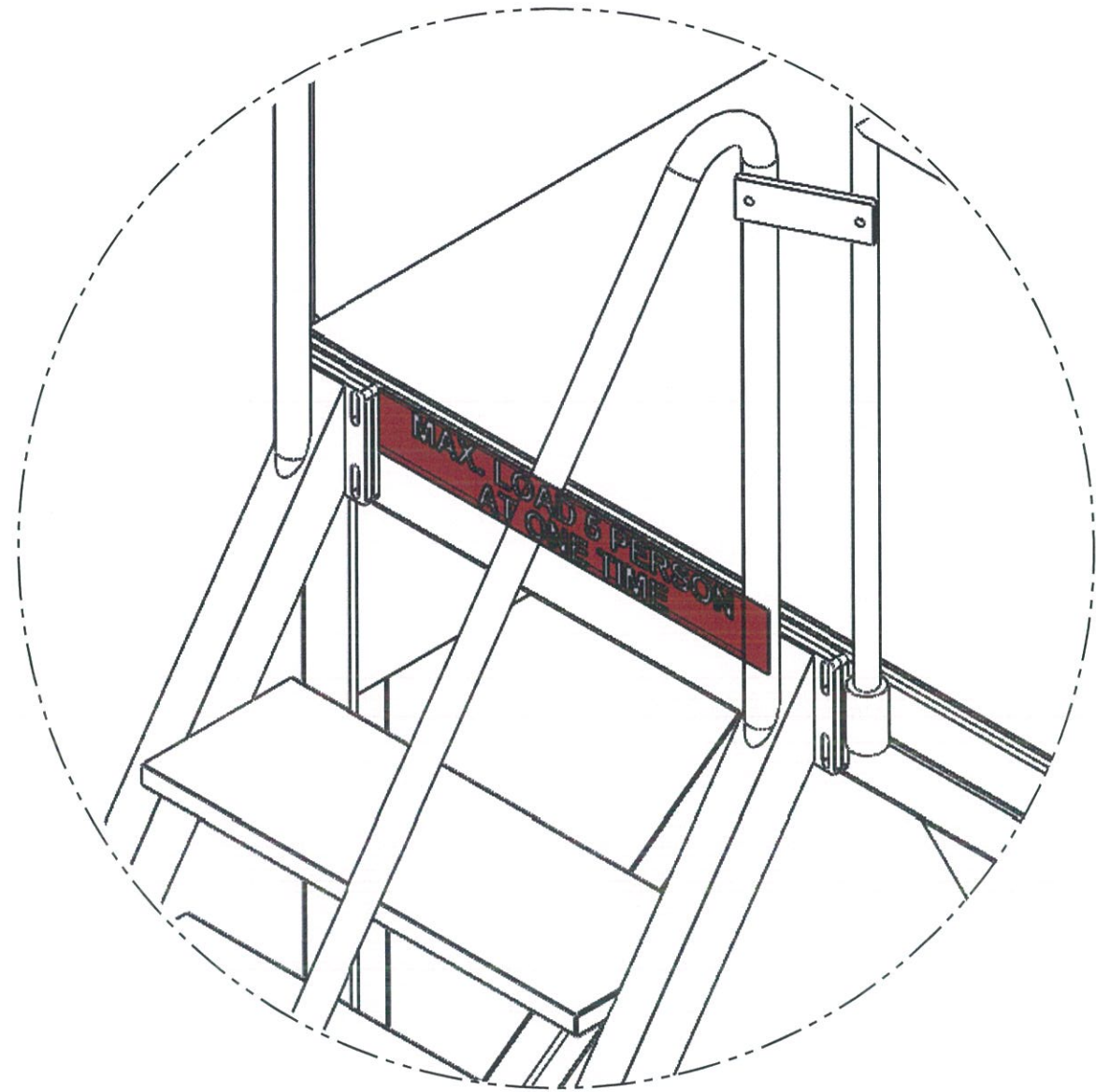
SIZE A3

CONTROLLED COPY



-013
FRONT VIEW

PLACARD DETAILS
 FONT: ARIAL BOLD
 BACKGROUND COLOUR: RED | FONT COLOUR: WHITE



GALAXY AEROSPACE (M)
 SDN. BHD.
 © ALL RIGHTS RESERVED
 GAM/DOA.F.005 JULY 2020

THIS DOCUMENT IS THE PROPERTY OF GALAXY AEROSPACE (M) SDN BHD AND IS NOT TO BE DISCLOSED, REPRODUCED IN WHOLE OR PART OR USED FOR MANUFACTURED FOR ANYONE OTHER THAN GALAXY AEROSPACE (M) SDN BHD WITHOUT PRIOR WRITTEN CONSENT.
 THE TECHNICAL CONTENT OF THIS DOCUMENT IS APPROVED UNDER THE AUTHORITY OF THE DOA REF. NO. (DOA/2020/01).
 RELATED DOC : GAM065/MRF

UNLESS OTHERWISE SPECIFIED :-
 1. DIMENSIONS IN CM.
 2. TOLERANCES ON :
 XX ± 1.00
 XX.X ± 0.50
 XX.XX ± 0.05
 ANGLES ± 0.5 DEG
 3. REMOVE BURRS AND SHARP EDGES

CONTINUATION SHEET

TITLE: DECK SERVICING PLATFORM (LEFT-HAND SIDE)			
DRAWING NO.: ED065002		A/C TYPE: -	
REV: 0	SCALE: NTS	SHEET 13 OF 13	SIZE: A3

CONTROLLED COPY