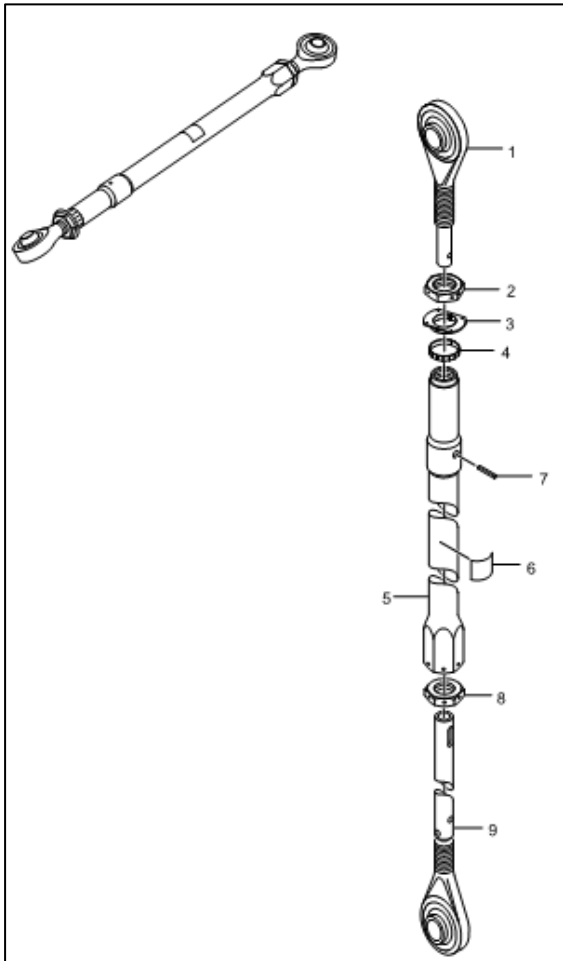
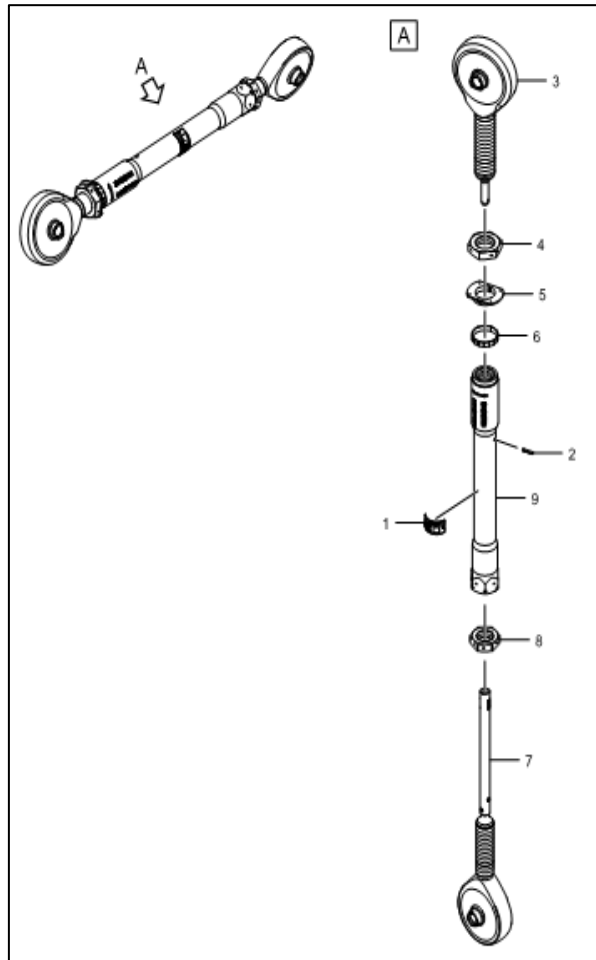


ENGINEERING NOTICE			
TO	All AMO Personnel	ISSUE NO	GAM/EN/04/22
COMPLIANCE	Immediate Effect	ISSUE DATE	25 th July 2022
SUBJECT	AW139 & AW189 Main Rotor Pitch Link Assy.		



AW139 Main Rotor Pitch Link Assy.




AW189 Main Rotor Pitch Link Assy.

AW139 Main Rotor Pitch Link Assy. P/N: 3G6230A01032 or 3G6230A01033	AW189 Main Rotor Pitch Link Assy. P/N: 4F6230A00534 or 8G6230A01031
--	--

NOTIFICATION

1. The AW139 and AW189 MR Pitch Link Upper and Lower Rod End are parts that can be rectified and restored to serviceable condition by an approved workshop.
2. These parts are high value items; thus it should be removed carefully during maintenance activities.
3. Upon removal the parts to be returned to store as soon as possible for all necessary action to be taken to rectify the parts.
4. Besides the said parts, other defective components removed from any aircraft regardless of type are to be returned to store for evaluation.
5. All concerned EIC to acknowledge and brief all LAEs and Technicians about this notification.

This Engineering Notice shall be in force with immediate effect.



Syafrul Yamani Safruddin
Engineering Manager