

DESTINI	ITEM DISCREPANCY / DEFECT REPORT	DPP-A-05B
		DR Control No : CYL/DR/22/19
		I:3 R:3 PR:1 DTD: 01 JUN 2020

PART A

1. Work Order No. DPSB/GLM/CYL/22/331-340 3. Part No. **108320**

2. Item Description **SEA LV2 & SEA MK** 4. Serial No AJ0048844,AJ0033446,AJ0048801,AJ0033393,AJ0048742,AJ0033372,AJ0033427,AJ0048755,AJ0048917,AJ0066670

5. Type of insp. on item and accompanied document : Physical, Visual and/or sound Inspection
 NDT/X-ray
 Other : _____
 Discrepancy / Insufficient life until next maintenance cycle

6. Defect Found : Other : _____
OVERHAUL SERVICE KIT P/NO: 108343 & 108344 SHOULD BE REPLACE.

PHOTO (IF ANY)

 SEE ATTACHED

Name / stamp of Authorized or Competent Staff and Initial : **JEFFRI BIN ABDUL** Technician Date : **22 AUG 2022**

PART B

1. Probable Cause : Operational / Usage Error Servicing Error Improper Packaging
 Normal Wear & Tear Handling & Transportation Other

2. Degree or Category of Defect: Minor Defect Major Defect Deficient Life to Next Cycle
 Other _____

3. Propose Corrective Action : Return- Nil Capability Proceed Maint. without Repair Scrap & Replace
 Repair as Proposed Quarantine until Final Decision Calibration
 Outsource Repair to ASN Other : _____

4. Other comments / remarks: Overhaul kit used during 2 yearly servicing

HO Entity/MM/WMS/QAP Name/stamp and Initial : **AZLAN BIN SALEH** **MAINTENANCE MANAGER** Date : 22 AUG 2022
CYLINDER WORKSHOP

PART C : CUSTOMER / CUSTOMER REPRESENTATIVE

1. Decision by Customer/ Customer's representative:
 Return without Repair Agreed and Proceed Repair Proceed Work without Repair.
 Sent to OEM / Approved Support Network for Overhaul/Repair Other : _____

2. Additional Remarks by Customer / Customer's Representatives: _____

Customer Representative Name/stamp and Initial : _____ Date : _____

PART D - RESPECTIVE DPSB WORKSHOP

1. Corrective Action as per Approved Control Document (ACD). Part's Replacement Repair as per Manual Adjust
 Component Replacement Temporary Repair as per ACD Calibrate
 Extend life with DAR / OEM /AEO / Customer Approval Other _____

QAP/WMS/MM/SMM. Name/ Stamp and Initial : _____ Date : _____

PART E - RSQAD

1. Receive Date: _____ 3. Any Specific Alert or Alarming Trend ? NO
 YES - Ack. QASM on :

2. Data Key in Date: _____

QAM /QA Engineer/ Auditor. Stamp and Initial : _____ Date : _____

TDI REPORT

REPORT NO: **CYL/DR/22/19**
 PART NO: 108320 (TC-3ALM207)
 DESCRIPTION: SURVIVAL ENGRESS LV2
 INDENT NO: MMA-22-32
 INDENT DATE: 13-Jul-22
 WORK ORDER NO: DPSB/GLM/CYL/22/331-340
 DATE: 9-Aug-22

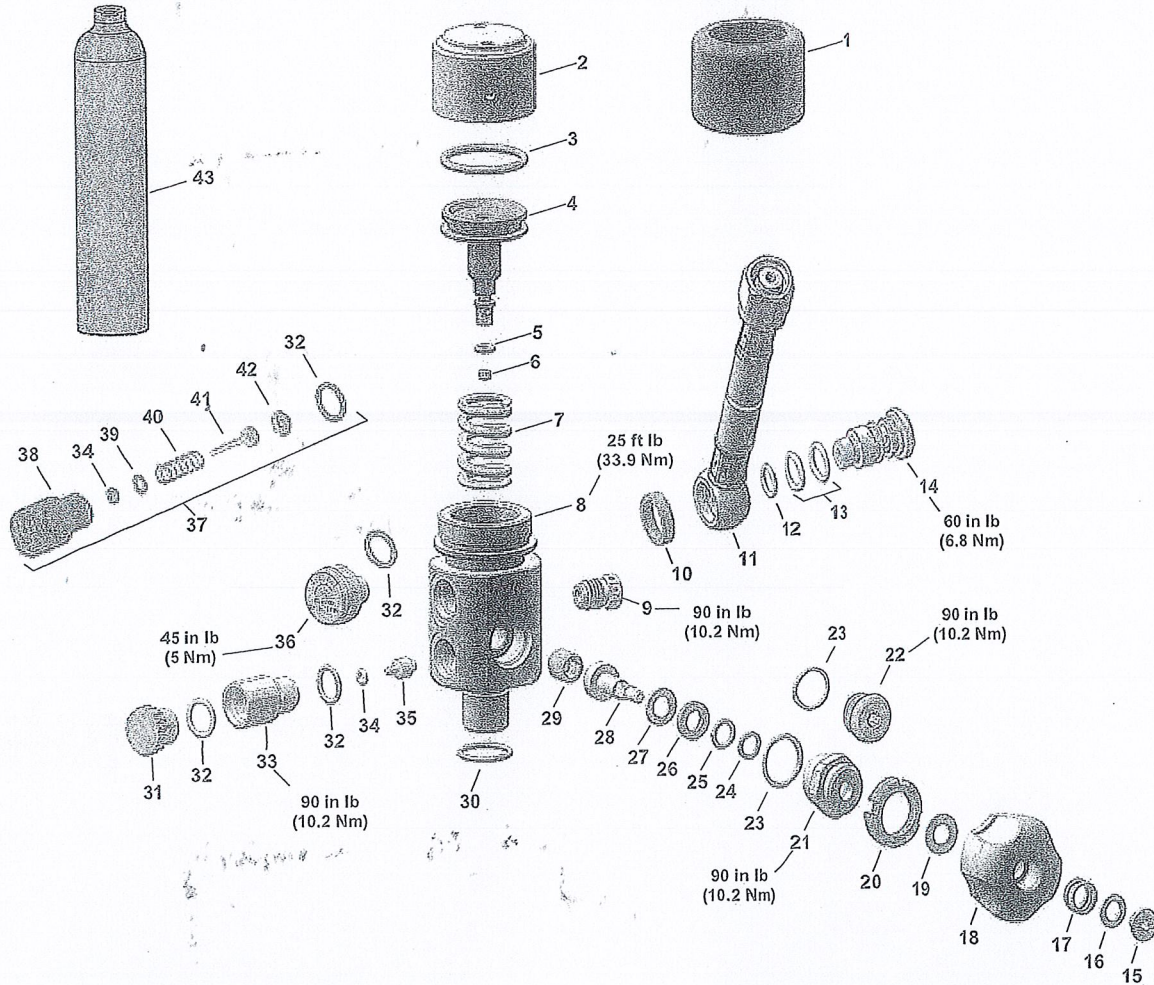
Item	Indent No	Serial No	WORK ORDER		QTY SERVICE	PART/CONSUMABLE REPLACEMENT (QTY)			Recommendation
			NO	DATE		1st Stage Kit	2nd Stage Kit	Compressed Air (3000PSI)	
1	MMA-22-32	AJ0048844	22/331		1	1	1	1	Replace
2	MMA-22-32	AJ0033446	22/332		1	1	1	1	Replace
3	MMA-22-32	AJ0048801	22/333		1	1	1	1	Replace
4	MMA-22-32	AJ0033393	22/334		1	1	1	1	Replace
5	MMA-22-32	AJ0048742	22/335	9-Aug-22	1	1	1	1	Replace
6	MMA-22-32	AJ0033372	22/336		1	1	1	1	Replace
7	MMA-22-32	AJ0048755	22/337		1	1	1	1	Replace
8	MMA-22-32	AJ0033427	22/338		1	1	1	1	Replace
9	MMA-22-32	AJ0048917	22/339		1	1	1	1	Replace
10	MMA-22-32	AJ0066670	22/340		1	1	1	1	Replace
TOTAL QTY					10	10	10	10	
U/PRICE (RM)					RM965.70	RM365.20	RM194.70	RM50.00	
AMOUNT(RM)					RM9,657.00	RM3,652.00	RM1,947.00	RM500.00	
GRAND TOTAL (RM)					RM15,756.00				



(Handwritten signature)

TAJUL ARIFIN B MOHD YUSOP
 Manager

SEA FIRST STAGE EXPLODED VIEW



Key # Part # Description

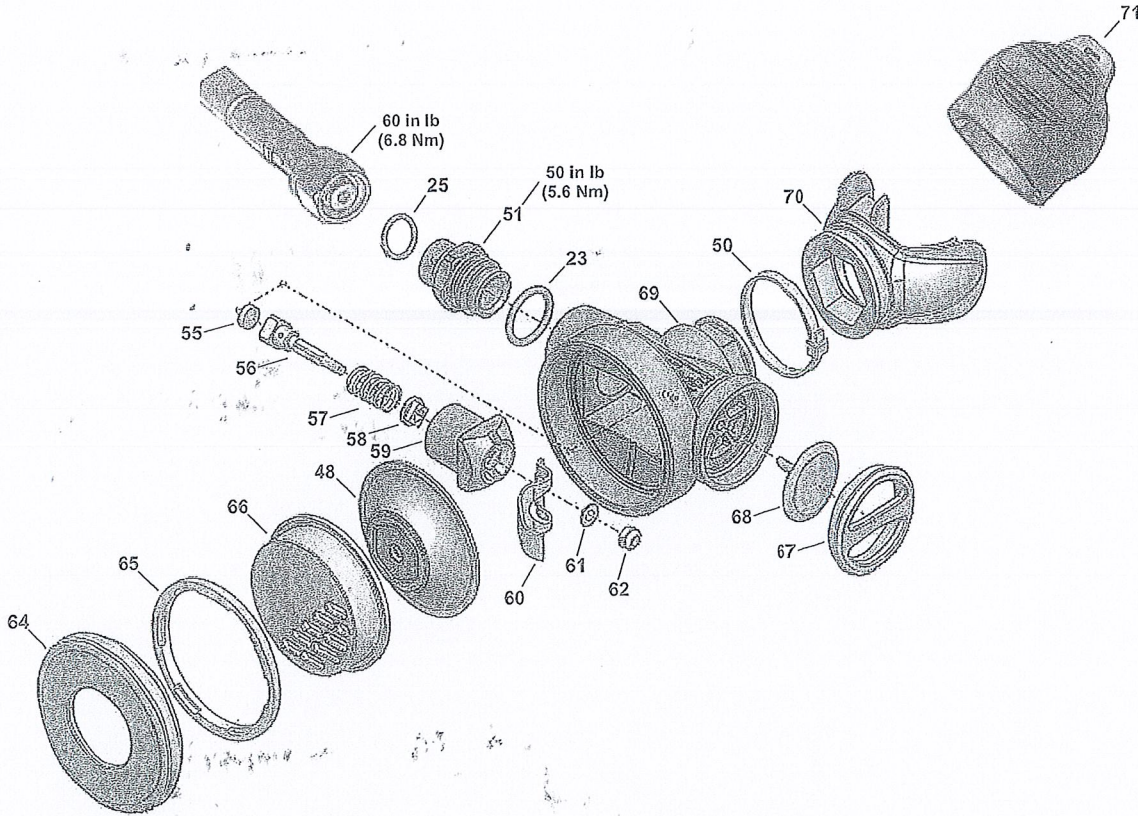
.....	108343	Overhaul Service Kit, SEA First Stage
.....	108311	First Stage, Spare SEA
.....	108469	First Stage Spare, SEA USCG / CBP
1	108302	Cover, Retainer
2	108303	Cap, Retainer
3	820062P	O-ring (10 pk)
4	106769	Piston
5	820007P	O-ring (20 pk)
6	106726	HP Seat
7	106771	Spring
8	108312	Body, First Stage
9	054201	Safety Plug
10	108306	Spacer, Black
.....	108334	Spacer, Chrome
11	100625	Hose Assy. MK, 27" Black
.....	102835	Hose Assy. MK, 20" Black
.....	108392	Hose Assy. LV2, 27" Black
.....	108391	Hose Assy. LV2, 20" Black
12	820311P	O-ring (10 pk)
13	820312P	O-ring (10 pk)
14	108305	Port Plug, Swivel, Black
.....	108333	Port Plug, Swivel, Chrome
15	108304	Retainer, Handwheel, Black
.....	108314	Retainer, Handwheel, Silver
16	108329	Washer, Handwheel
17	108316	Spring, Handwheel
18	108313	Handwheel

Key # Part # Description

19	108326	Washer, Nylon
20	108317	Ring, On / Off Indicator
21	108318	Bonnet
22	108367	Plug, Blank, 5/8" Black (USCG Only)
23	820015P	O-ring (10 pk)
24	828009	Ring, Back-up
25	820010P	O-ring (25 pk)
26	108328	Washer, Brass
27	108327	Washer, Teflon
28	108319	Stem, On / Off
29	108322	Seat & Disc Retainer Assy
30	820316P	O-ring (10 pk)
31	108307	Cap, Fill Port
32	820319P	O-ring (10 pk)
33	108308	Port, Fill
34	820304P	O-ring (10 pk)
35	108309	Pin, Fill Port
36	102810	Pressure indicator 3000 psi / 207 BAR, Black
37	108346	Pressure Indicator, Pin
38	108347	Body, Pressure Indicator
39	820304P	O-ring (10 pk)
40	845034	Washer
41	100688	Spring, Pressure Indicator
42	100613	Plunger
43	100607	Retainer
.....	079105	Cylinder, 1.5 ft ³ , 3000 psi Black, Aluminum
.....	079120	Cylinder, 2.0 ft ³ , 3000 psi Black, Aluminum
.....	079109	Cylinder, 1.5 ft ³ , 3000 psi Black, Anodized Aluminum

Part numbers in **BOLD ITALICS** indicate standard overhaul replacement part.

LV-2 SECOND STAGE EXPLODED VIEW



Key # Part # Description

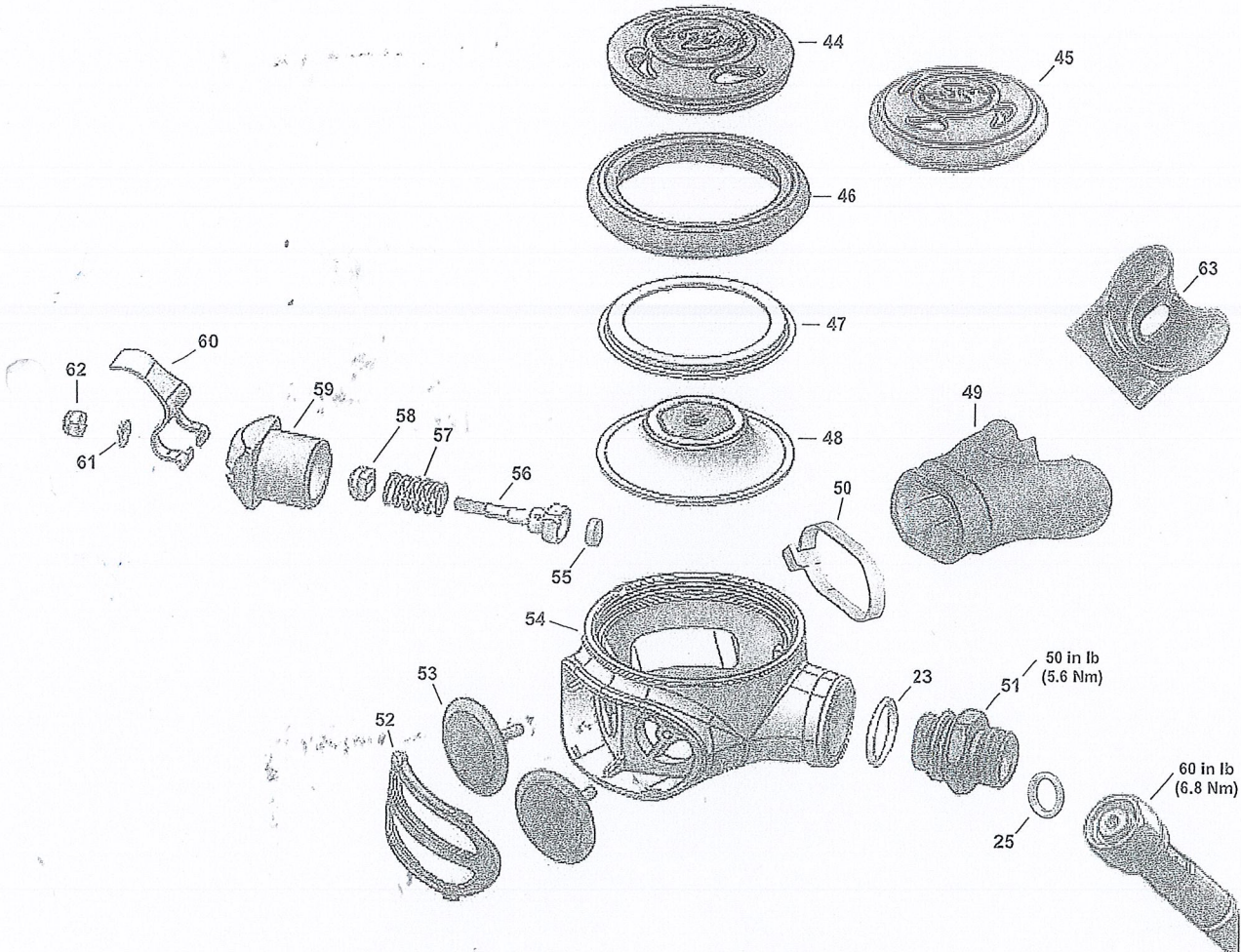
.....	108344	Overhaul Parts Kit
.....	108402	Second Stage, LV2, Spare
64	100652	Hard Cover, Purge
.....	100652Y	Hard Cover, Purge Yellow
65	100119	Retaining Ring
66	100104	Cover, Front
48	100181	Diaphragm
55	106738	MP Seat
56	104122	Poppet
57	104127R	Spring (Red)
58	104134	Poppet Bearing
59	100945	Valve Body

Key # Part # Description

60	100923	Lever
61	104129	Washer
62	102510	Locknut
67	108371	Cap Exhaust Valve
.....	108371Y	Cap Exhaust Valve Yellow
68	100122	Exhaust Valve
69	108374	Box Bottom, LV2, Black
23	820015P	O-ring (10 pk)
51	108438	Inlet Fitting, Black
25	820010P	O-ring (25 pk)
50	104913	Clamp Strap, Black
70	108373	Mouthpiece, LV2
71	108453	Cover Mouthpiece, LV2

Part numbers in **BOLD ITALICS** indicate standard overhaul replacement part.

MK SECOND STAGE EXPLODED VIEW



Key #	Part #	Description
-------	--------	-------------

.....	108344	Overhaul Service Kit, SEA MK Second Stage
.....	108315	Second Stage, MK, Spare
.....	108468	Second Stage, MK, Spare USCG/CBP
44100904	Front Cover
45108414	Hard Cover (USCG only)
46100906	Ring, Retaining Threaded
47100909	Ring Cover Support
48100181	Diaphragm
49105831	Mouthpiece, Black
50 104913	Clamp Strap, Black
23 820015P	O-ring (10 pk)
51108438	Inlet Fitting, Black
25 820010P	O-ring (25 pk)

Key #	Part #	Description
-------	--------	-------------

52100907	Cover, Exhaust Valve
53 100922	Exhaust Valve
54100905	Box Bottom, MK, Black
55 106738	MP Seat
56104122	Poppet
57104127	Spring
58 104134	Poppet Bearing
59100945	Valve Body
60100923	Lever
61104129	Washer
62 102510	Locknut
63100653	Cover Mouthpiece, MK

Part numbers in **BOLD ITALICS** indicate standard overhaul replacement part.